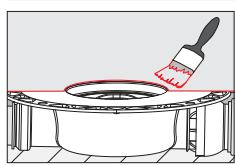
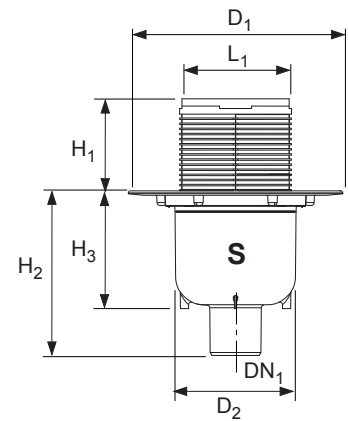
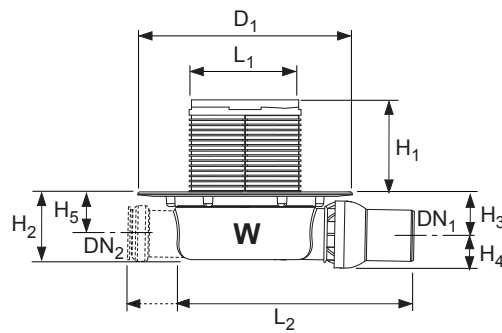
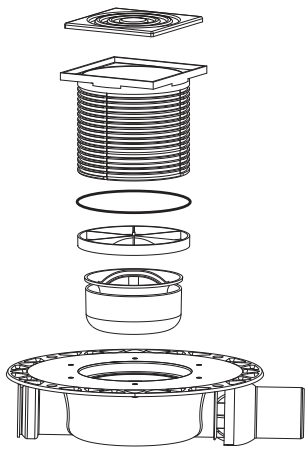
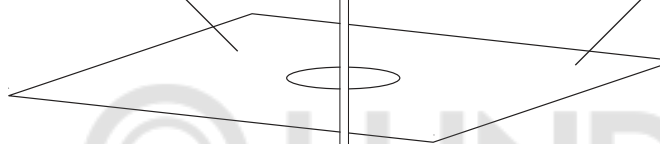


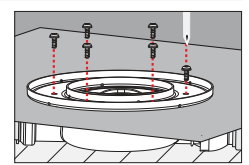
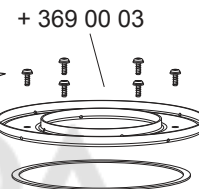
# TECEdrainpoint S



369 00 04 (PP/PE)

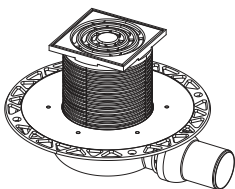


369 00 06 (EPDM)

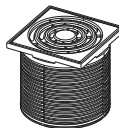


Art.-Nr.	Typ	DN <sub>1</sub>	DN <sub>2</sub>	D <sub>1</sub>	D <sub>2</sub>	L <sub>1</sub> □	L <sub>2</sub>	H <sub>1</sub>	H <sub>2</sub>	H <sub>3</sub>	H <sub>4</sub>	H <sub>5</sub>	SWH*
360 11 00	w	50	40	252	--	105 x 105	280	8-92	66	42	32	40	30
360 11 02	w	50	40	252	--	105 x 105	280	7-89	66	42	32	40	30
360 14 00	w	50	40	252	--	--	280	--	66	42	32	40	30
360 14 01	w	50	--	252	--	--	184	--	66	41	25	--	--
360 12 00	w	50	40	252	--	105 x 105	280	8-92	97	64	34	62	50
360 12 02	w	50	40	252	--	105 x 105	280	7-89	97	64	34	62	50
360 15 00	w	50	40	252	--	--	280	--	97	64	34	62	50
360 35 00	w	70	40	252	--	--	238	--	--	80	55	--	50
360 75 00	w	100	40	252	--	--	223	--	--	62	38	--	50
360 13 00	s	50	--	252	119	105 x 105	--	8-92	160	114	--	--	50
360 16 00	s	50	--	252	119	--	--	--	160	114	--	--	50
360 36 00	s	70	--	252	119	--	--	--	165	118	--	--	50
360 76 00	s	100	--	252	119	--	--	--	154	96	--	--	50

\* Sperrwasserhöhe / sealing water height



360 11 00  
360 11 02  
360 12 00  
360 12 02  
360 13 00



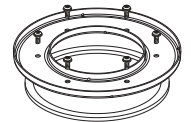
366 00 01  
(...)  
366 00 04  
366 00 07  
366 00 08



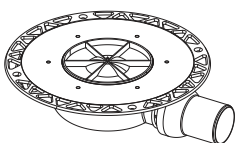
369 50 00  
369 50 01  
369 50 04



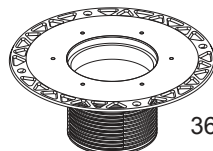
369 50 02  
369 50 05  
369 50 06



369 00 03



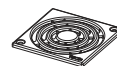
360 14 00  
360 14 01  
360 15 00  
360 16 00  
360 35 00  
360 36 00  
360 75 00  
360 76 00



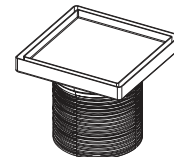
366 00 05



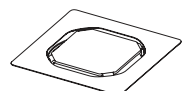
366 00 06



366 50 00  
(...)  
366 50 09

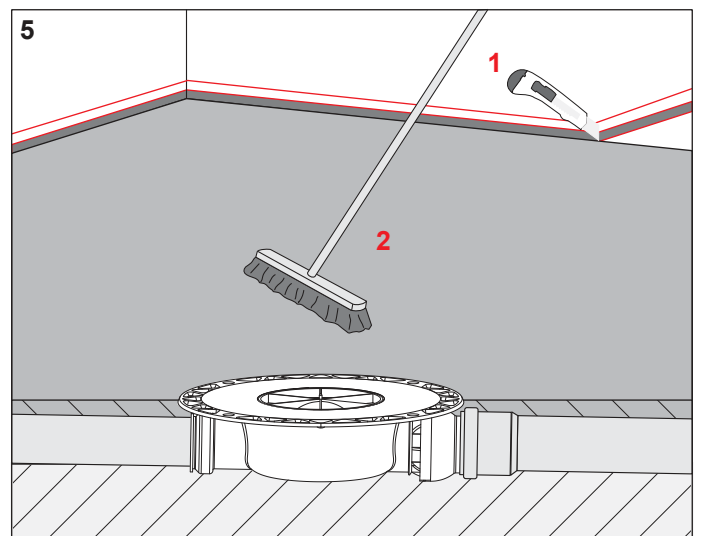
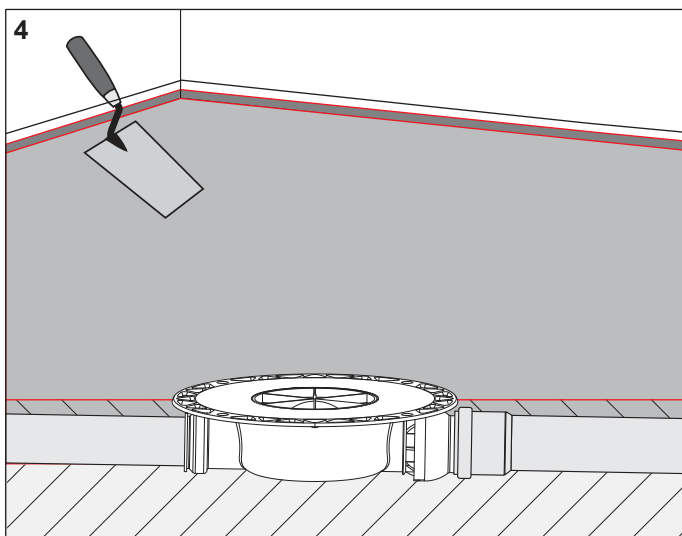
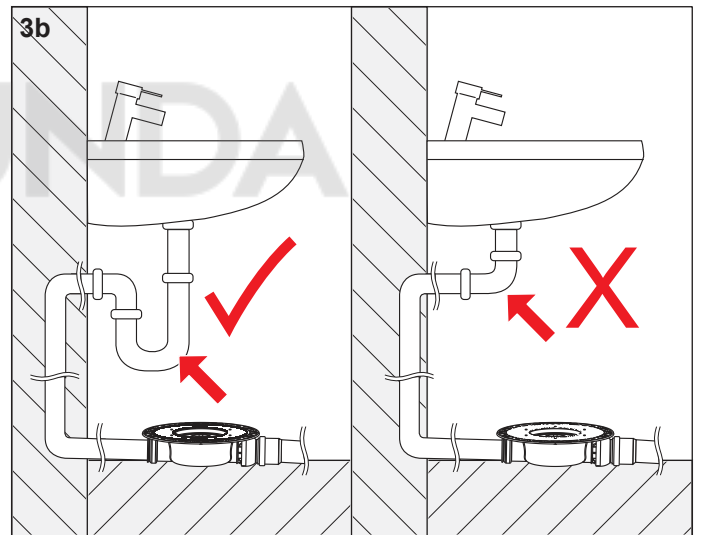
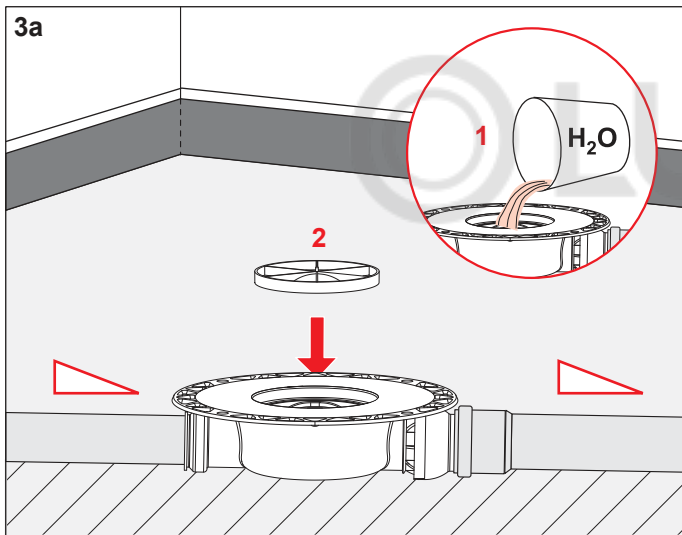
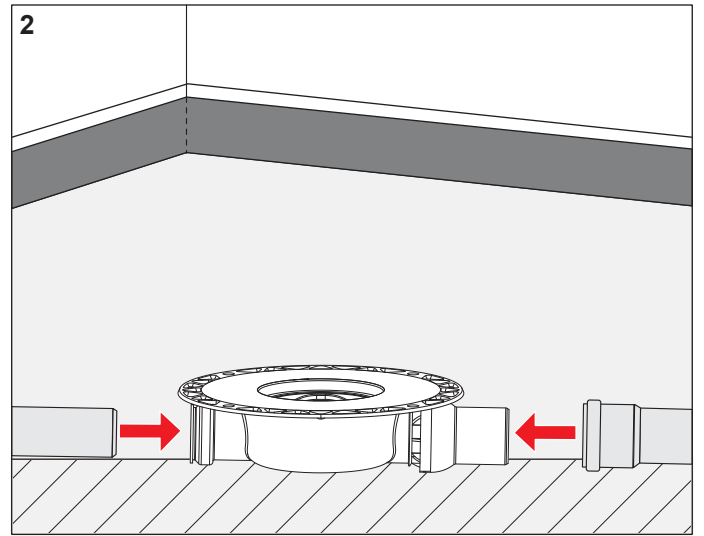
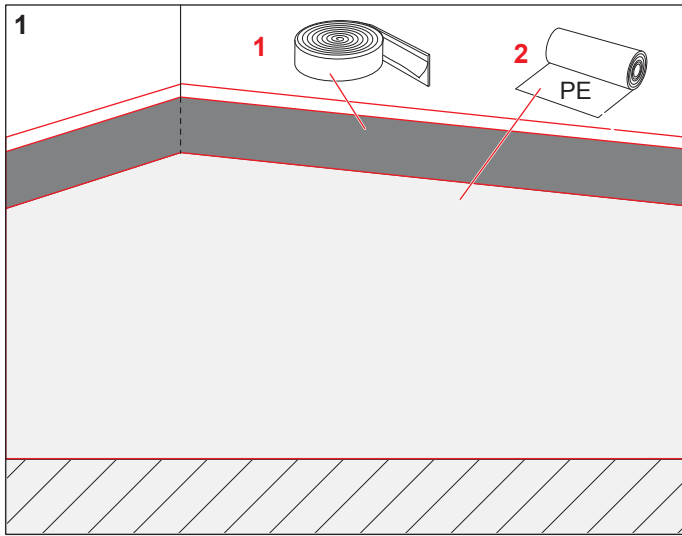
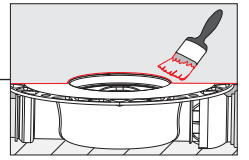


366 00 11

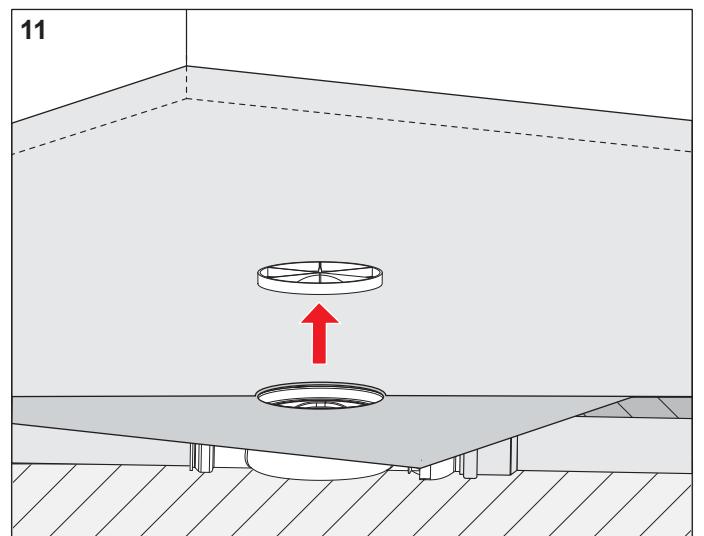
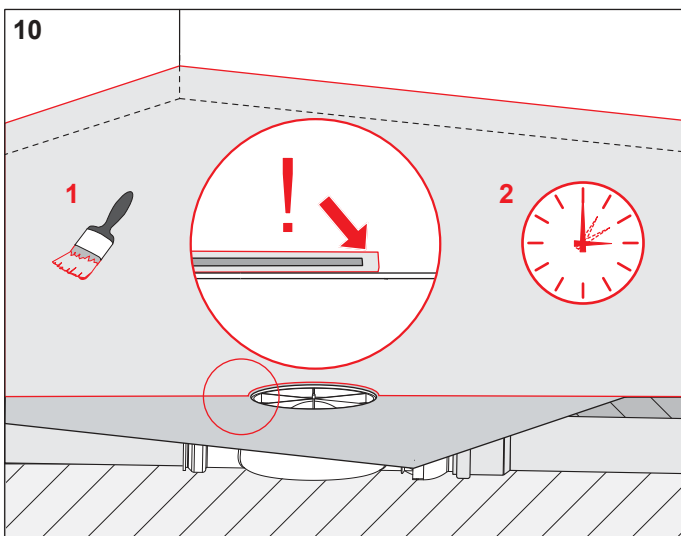
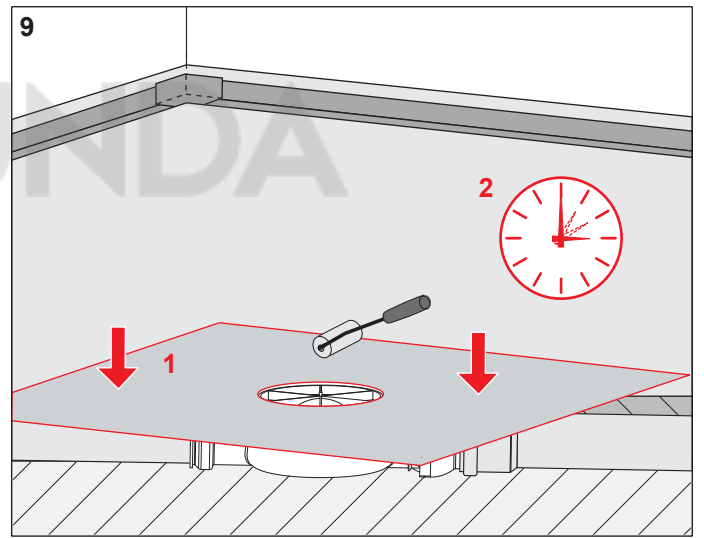
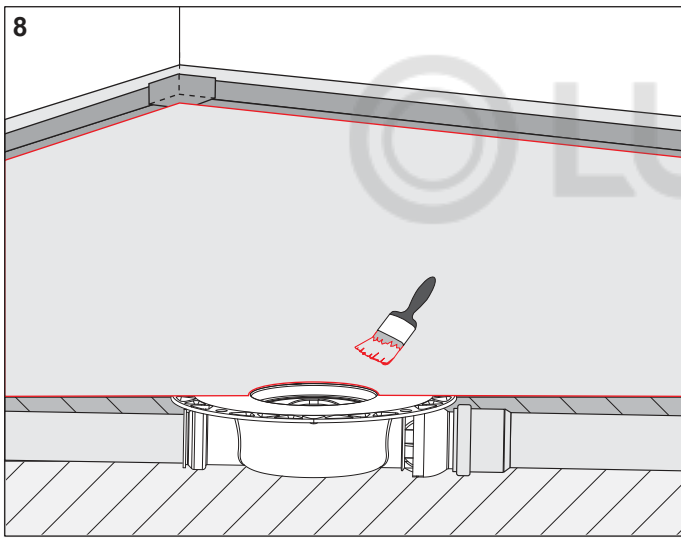
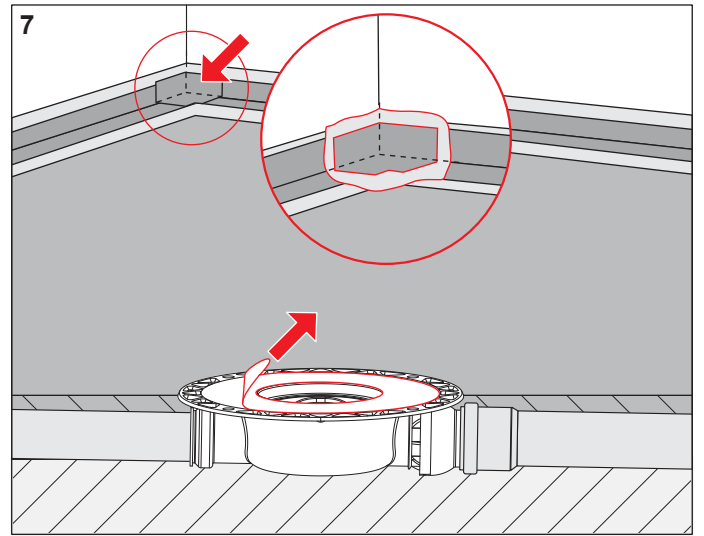
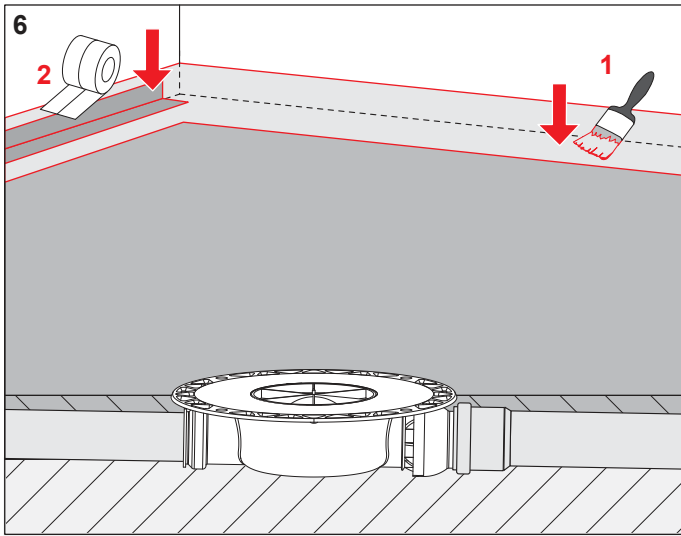
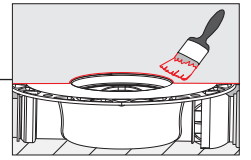


366 00 16

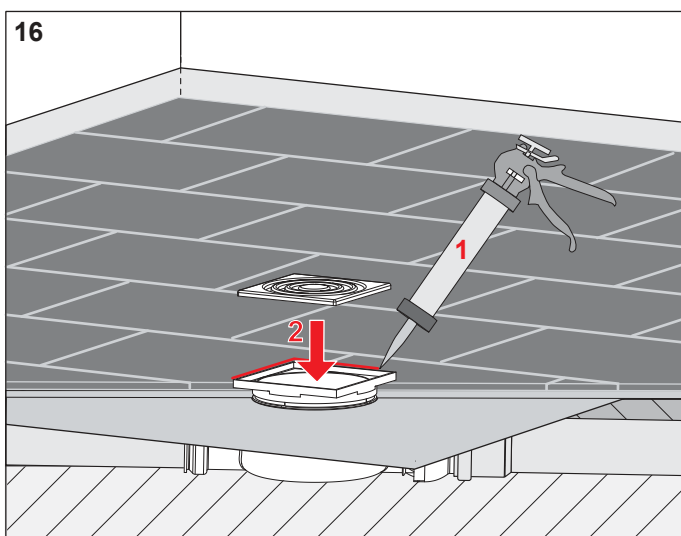
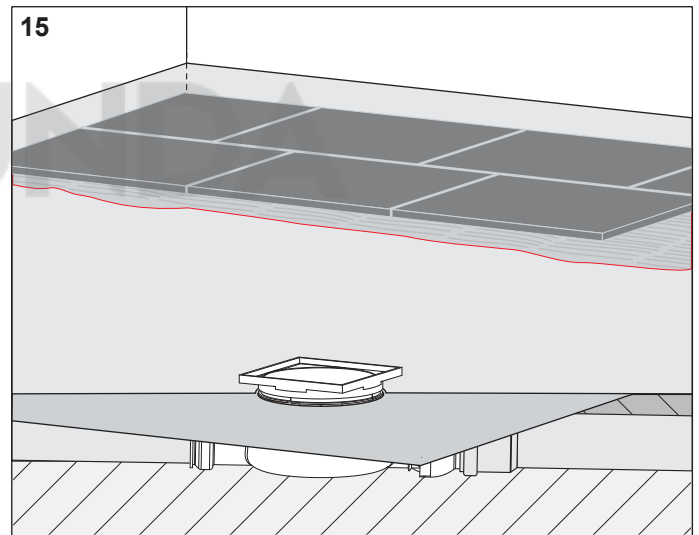
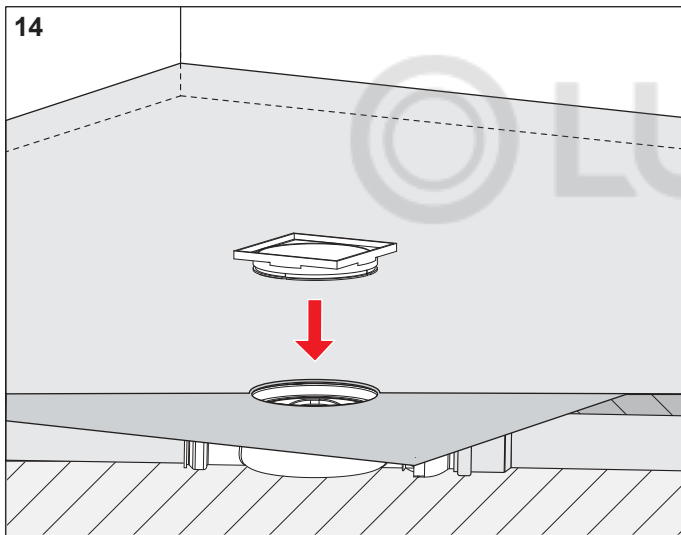
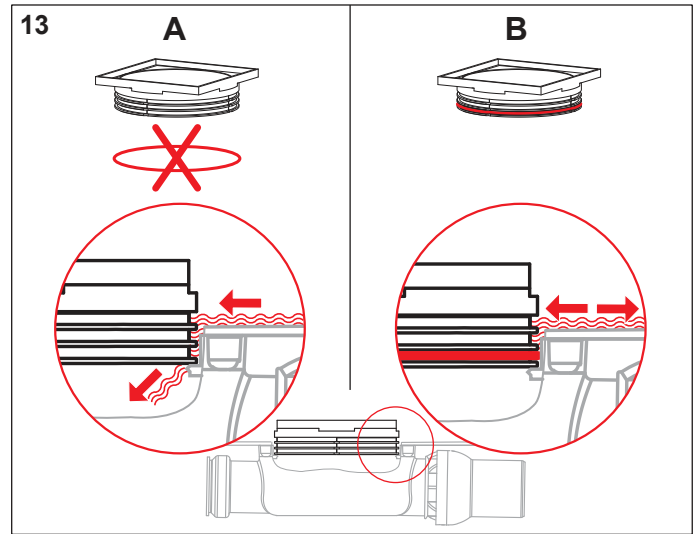
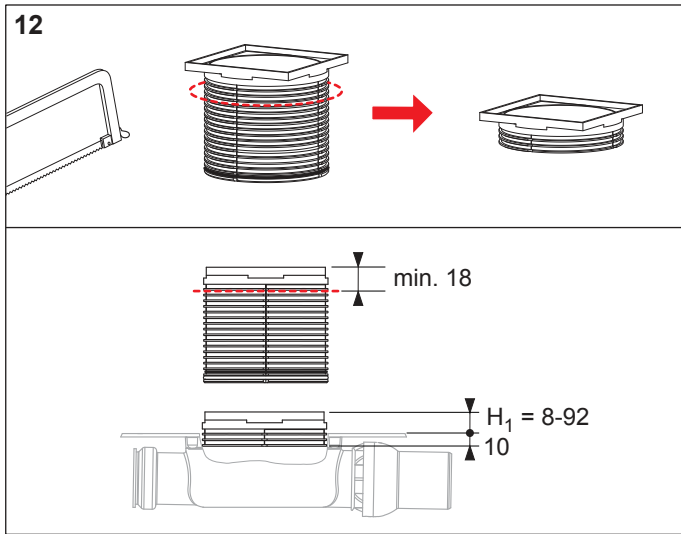
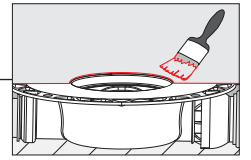
# TECEdrainpoint S



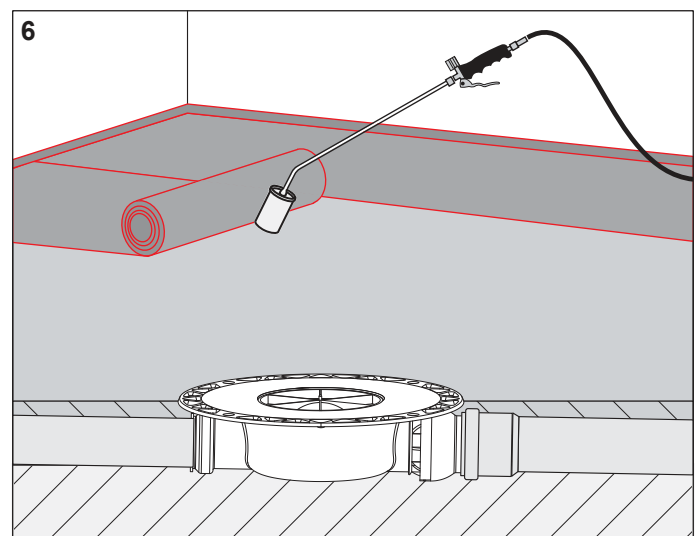
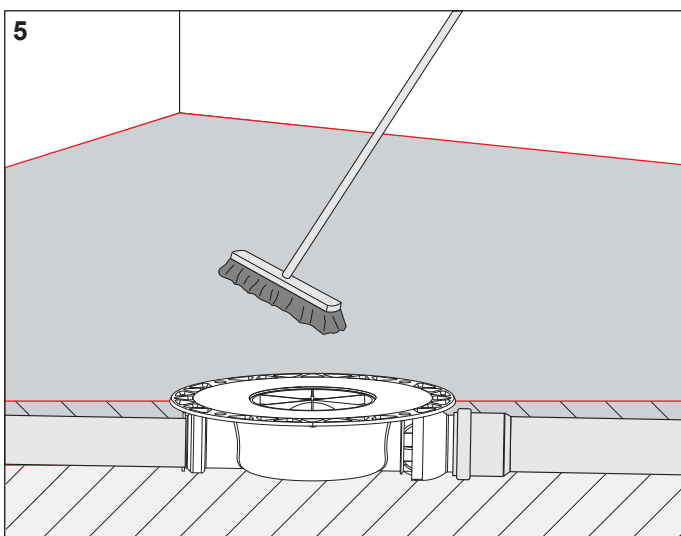
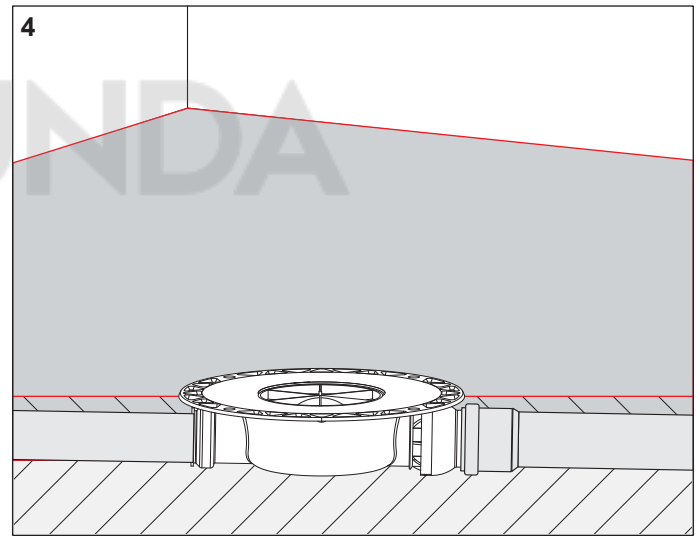
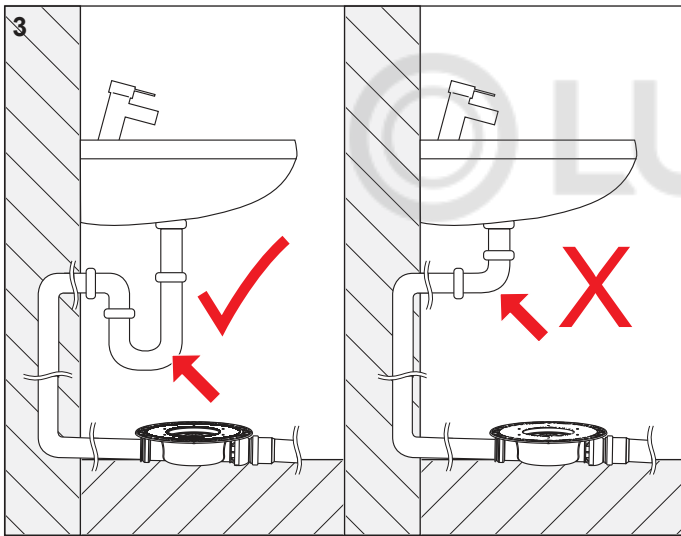
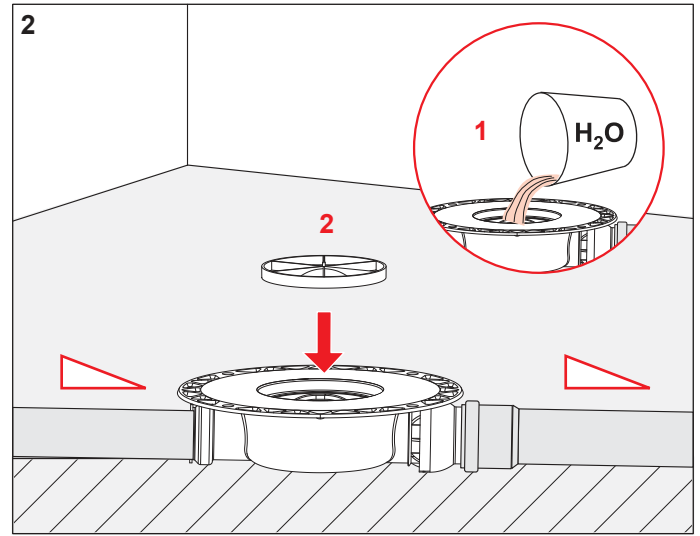
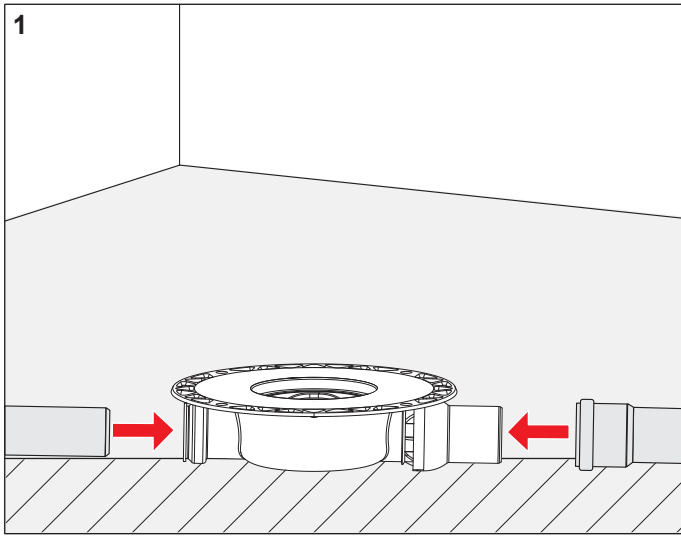
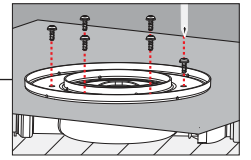
# TECEdrainpoint S



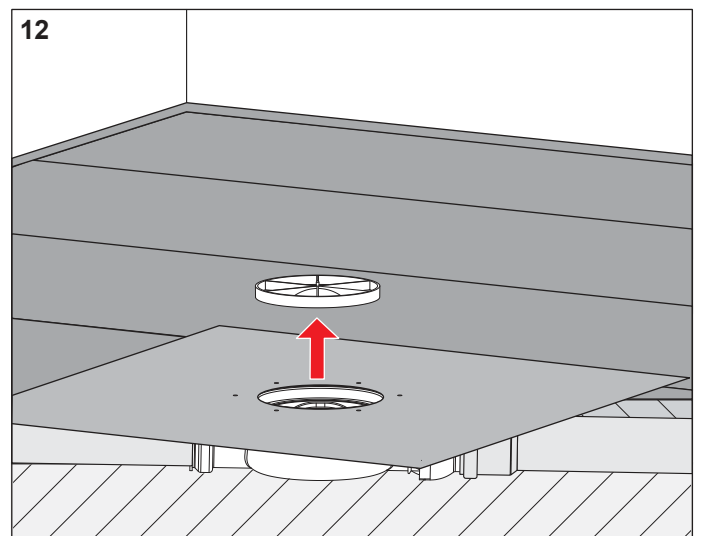
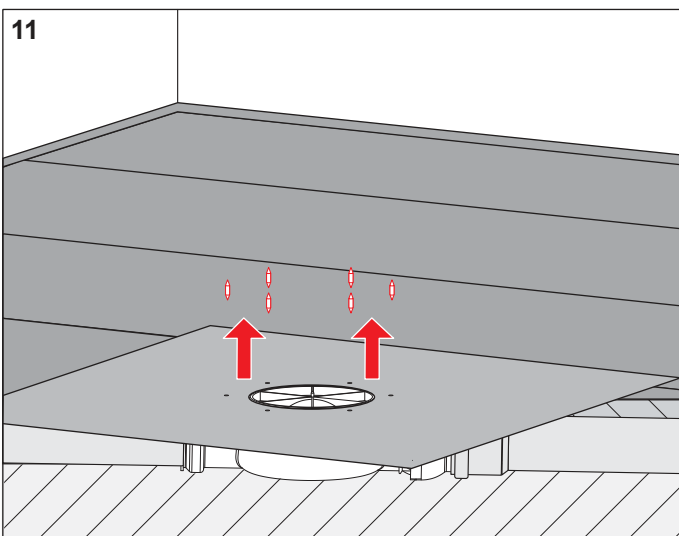
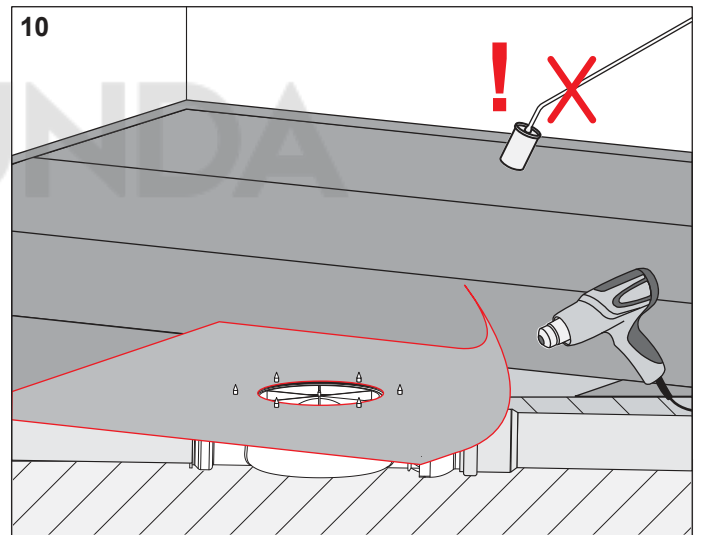
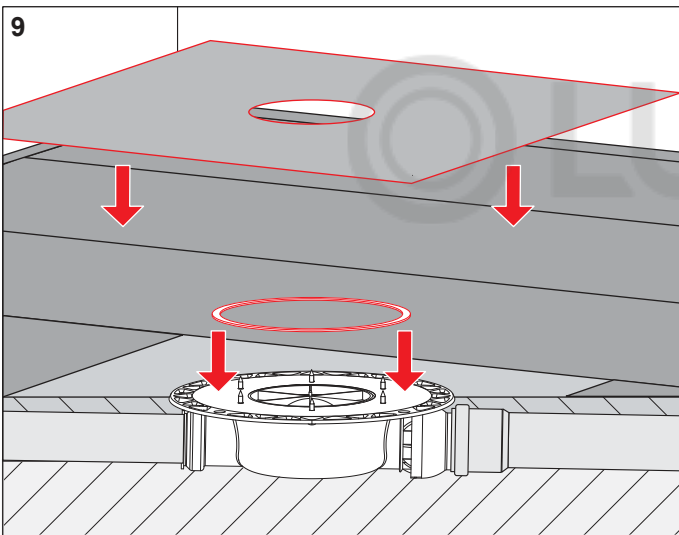
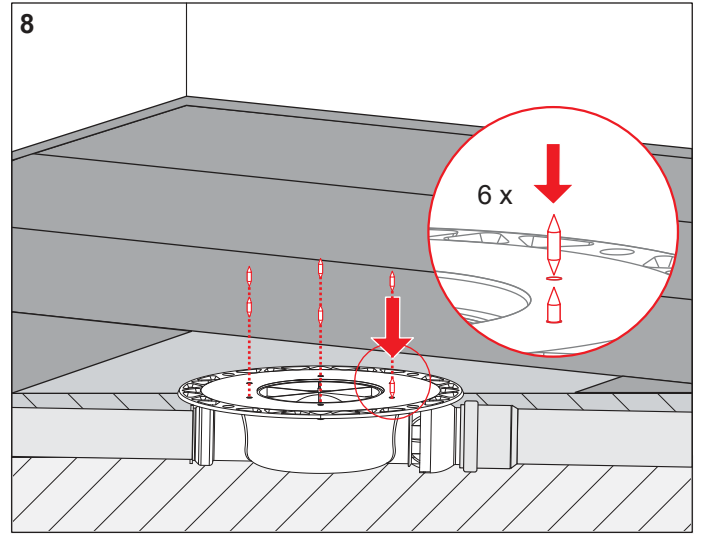
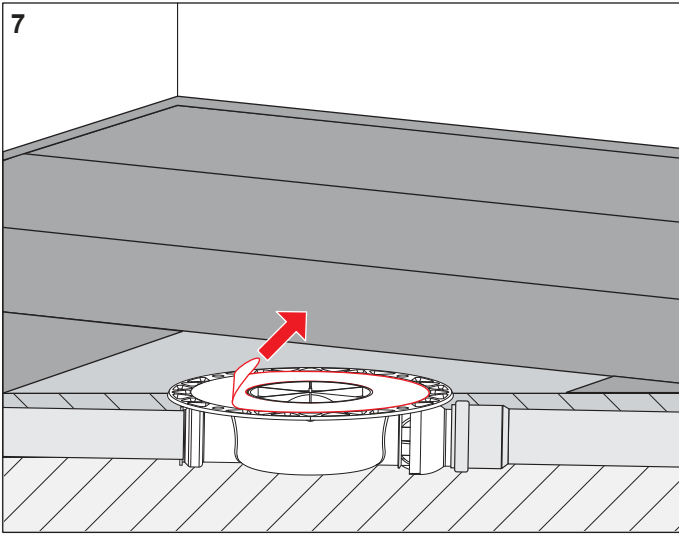
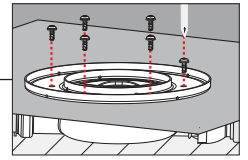
# TECEdrainpoint S



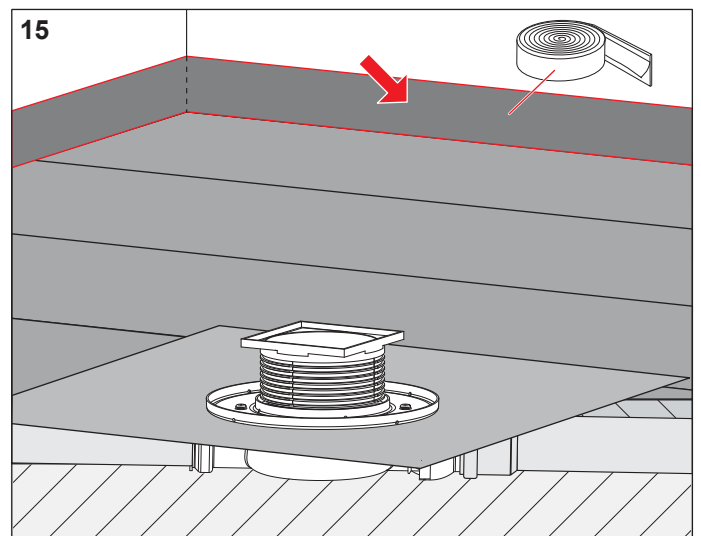
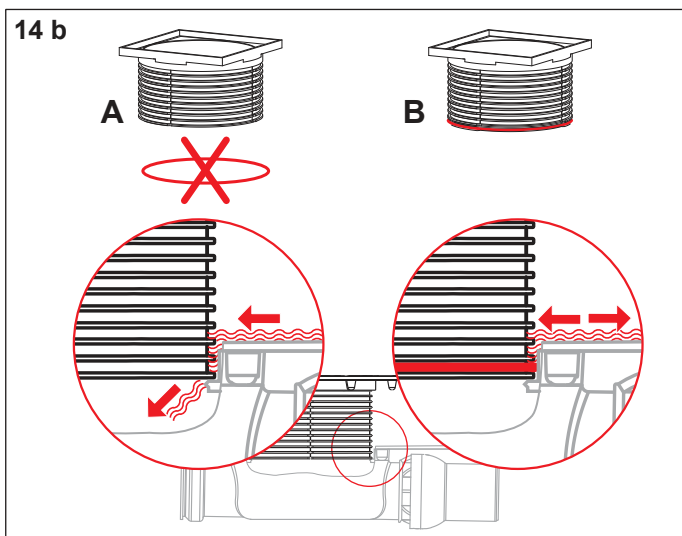
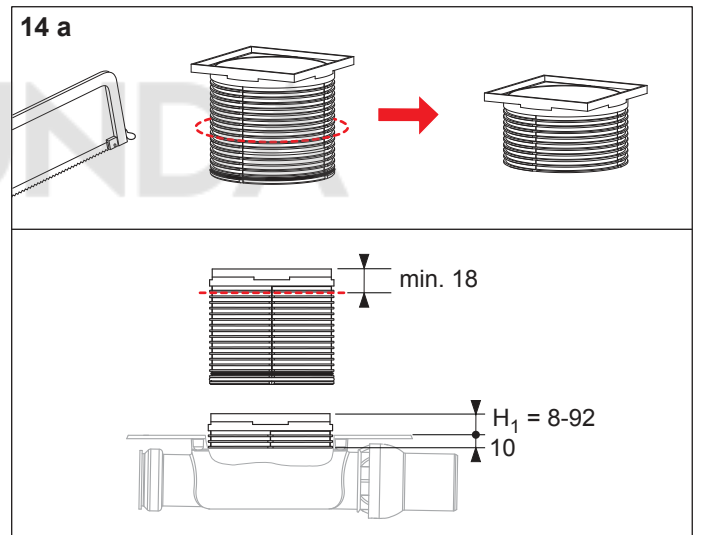
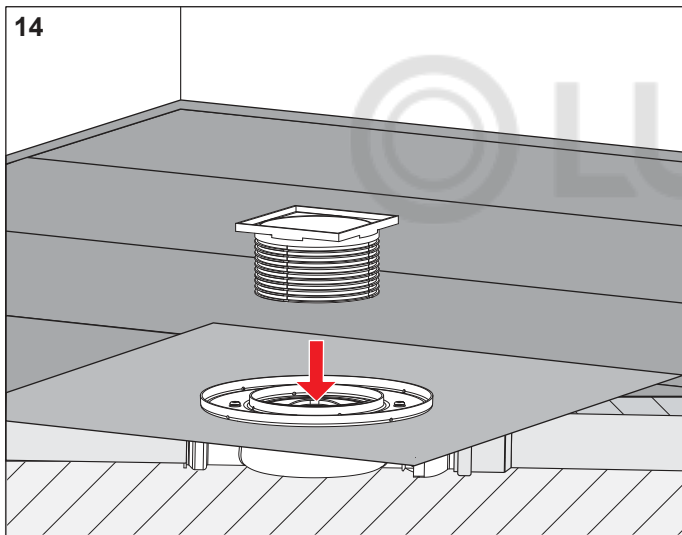
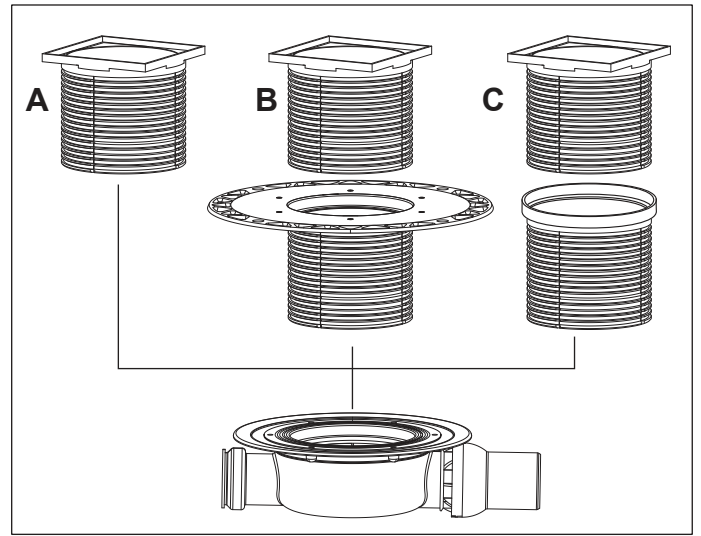
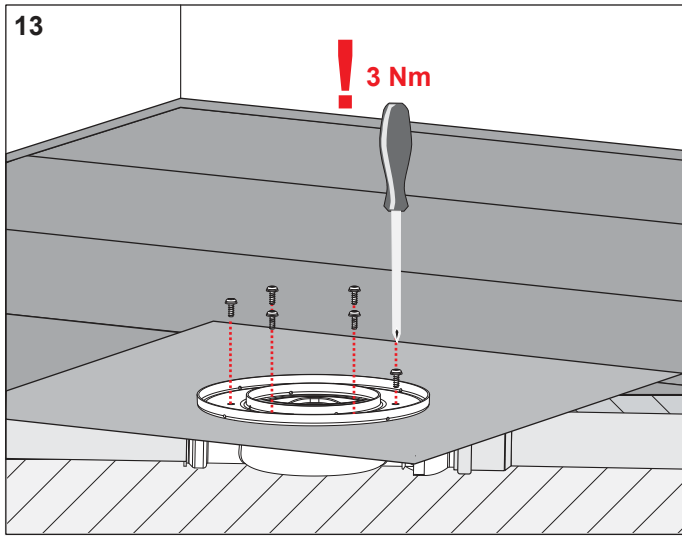
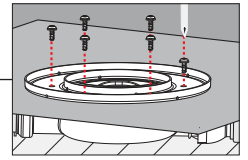
# TECEdrainpoint S



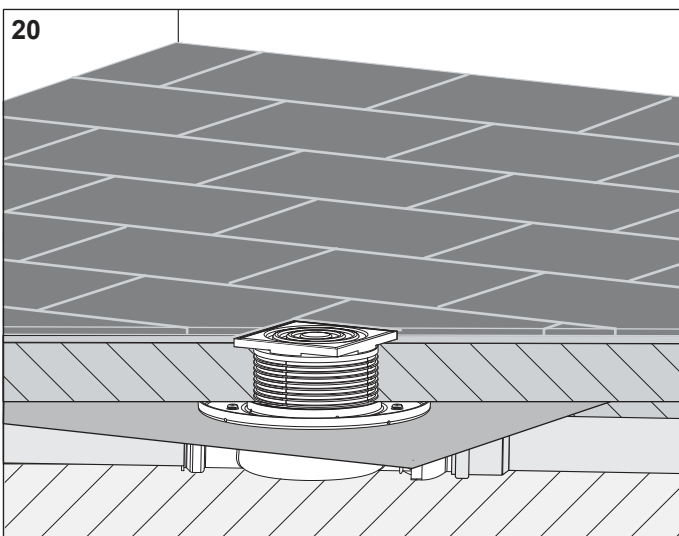
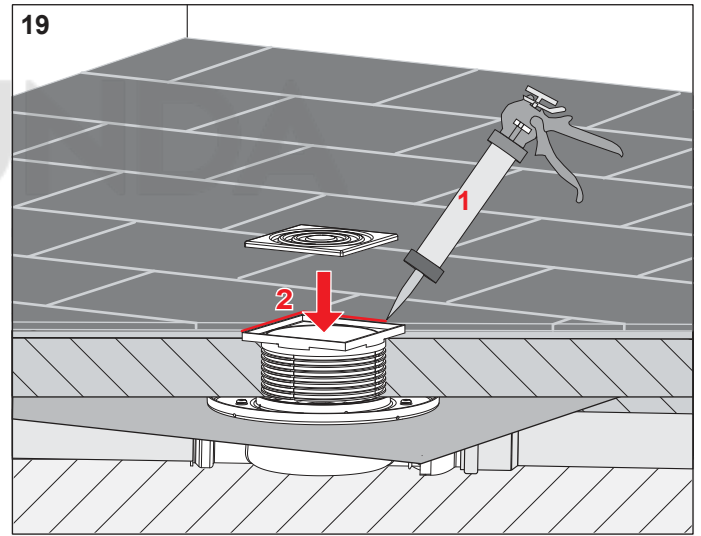
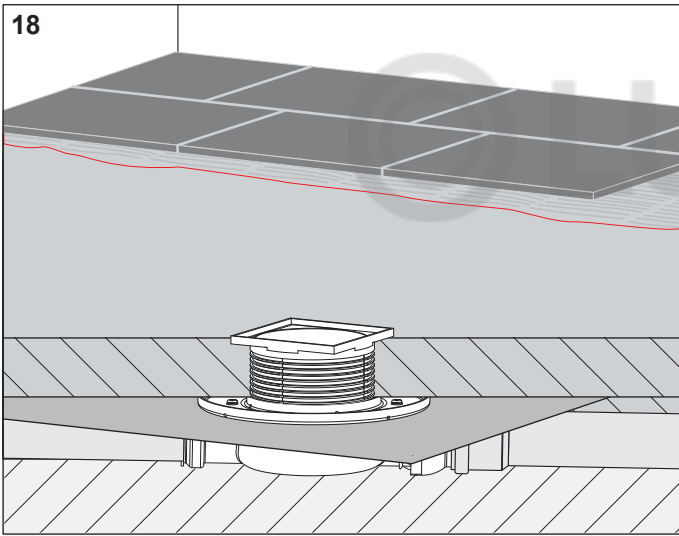
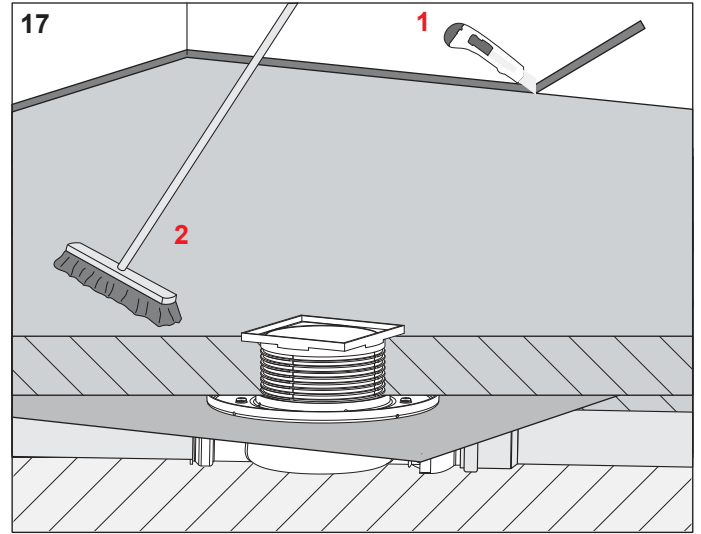
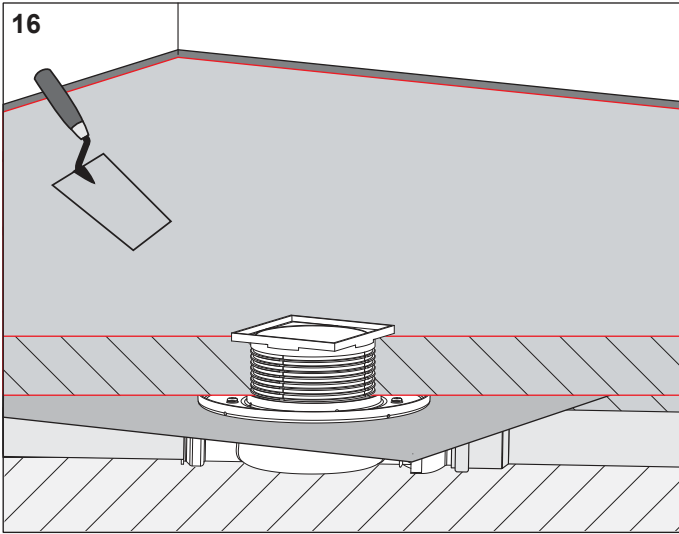
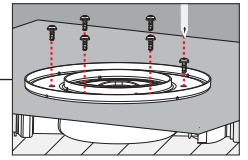
# TECEdrainpoint S



# TECEdrainpoint S



# TECEdrainpoint S



AT430 026 00 e