

**Installation guide**  
**Electric regulating valves**

Type CCMT 2 – CCMT 8 / CCMT 16 – CCMT 42

027R9803

027R9803

<b>Refrigerants:</b> • R744 • R1234yf only for CCMT without integrated pressure transmitter.	<b>Ambient temperature:</b> Min. -40 °C / -40 °F Max. 60 °C / 140 °F	<b>Fluid temperature:</b> Min. -40 °C / -40 °F Max. 60 °C / 140 °F
<b>Stepper motor type:</b> Bipolar	<b>Max working pressure:</b> 140 Bar / 2030 psig	<b>Total full steps</b> CCMT 2 - CCMT 8 : 1100 CCMT 16 : 800 CCMT 24 : 1400 CCMT 30 : 2300 CCMT 42 : 2200
<b>Phase Current:</b> CCMT 2 – CCMT 8: 100 mA RMS CCMT 16 – CCMT 42: 300 mA RMS	<b>Coil resistance:</b> CCMT 2 – CCMT 8: 52 Ohm CCMT 16 – CCMT 42: 29 Ohm	



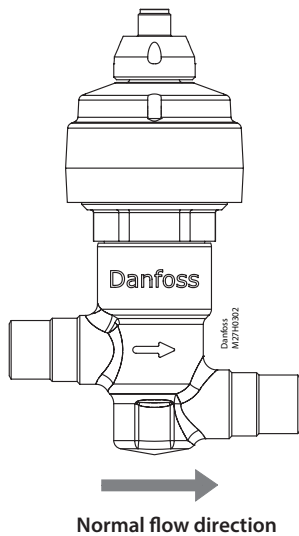
**Note!**

- CCMT valves are delivered in open position, ready for brazing.
- For CCMT 2 - CCMT 8, filter with a maximum mesh of 100 µm recommended to install on the inlet line that can resist particles size above 100 µm.

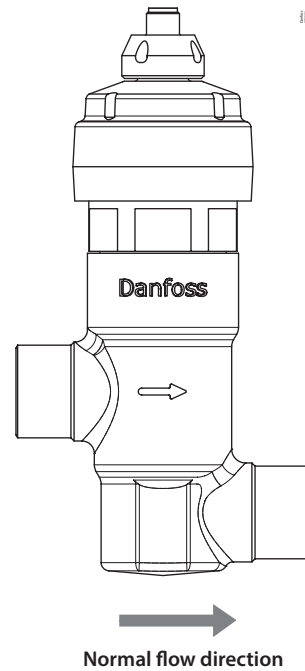


**Warning!** Do not connect directly to AC / DC power source. Connect valve to appropriate controller/driver only. Do not operate valve while assembling or disassembling.

**Flow direction**  
CCMT 2 – CCMT 8



**Flow direction**  
CCMT 16 – CCMT 42

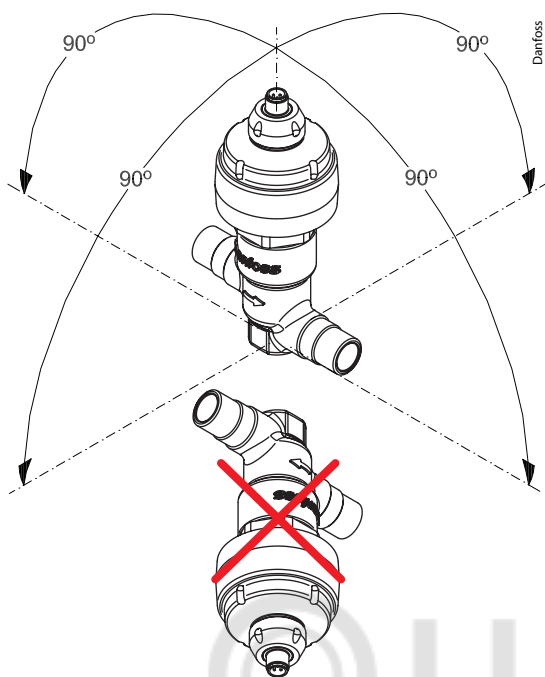


For more language options and more information on the valve refer to the website.

[ccmt.danfoss.com](http://ccmt.danfoss.com)

Mounting direction CCMT 2 - CCMT 42

1

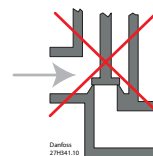


2

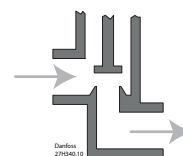


**Warning!**

- Do not disassemble the valve before brazing or welding.
- Valve must be open during brazing and welding.



Fully closed

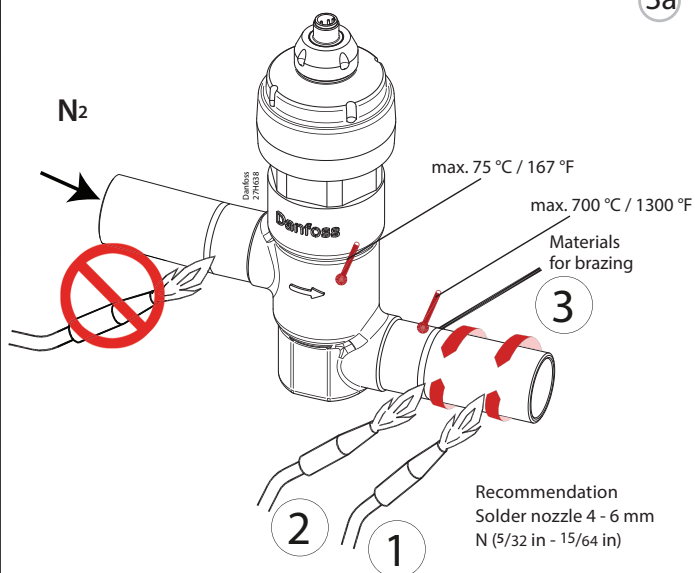


Open

**Brazing**

CCMT 2 - CCMT 42

3a



**For CCMT 2 - CCMT 42**

Materials used for brazing:

- Flux: Metalli tenacity No. 5 Powder or Braze Tec special h paste.
- Filler: Silver-Flo 55 (BS:AG 14/ DIN L-Ag55 Sn) or Silver-Flo 56 (AWS B Ag-7).



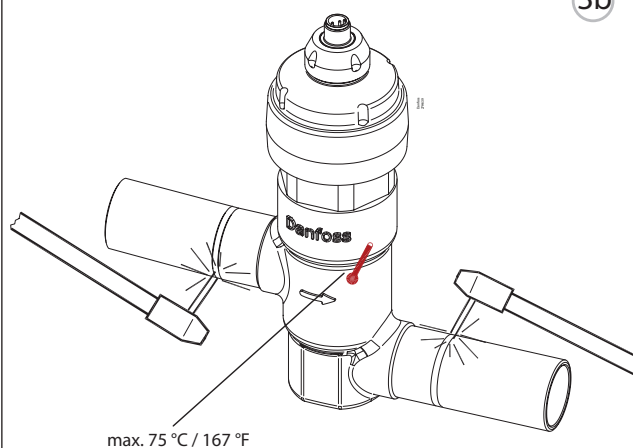
**Warning!**

Filler metals containing Phosphor i.e. BS: CP 1/ DIN L-Ag 15P or BS: CP 3/ DIN L-Ag P7 must not be used.

**Welding**

CCMT 2 - CCMT 42

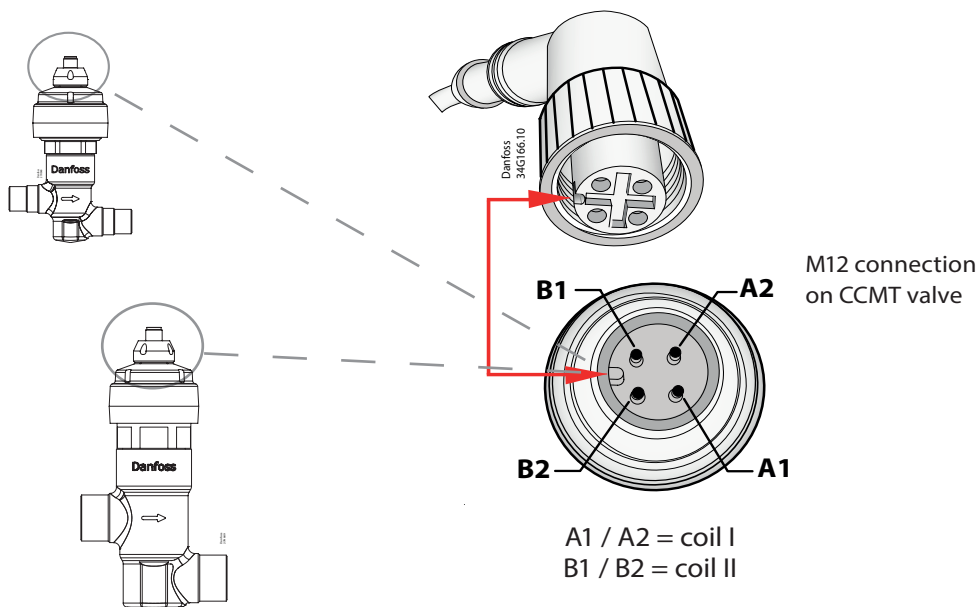
3b



**Recommendation for TIG welding**

- Power approximately 60 A.
- Use Shield gas charge - Argon.
- Material for welding - approximately 2 mm thick stainless steel alloy.

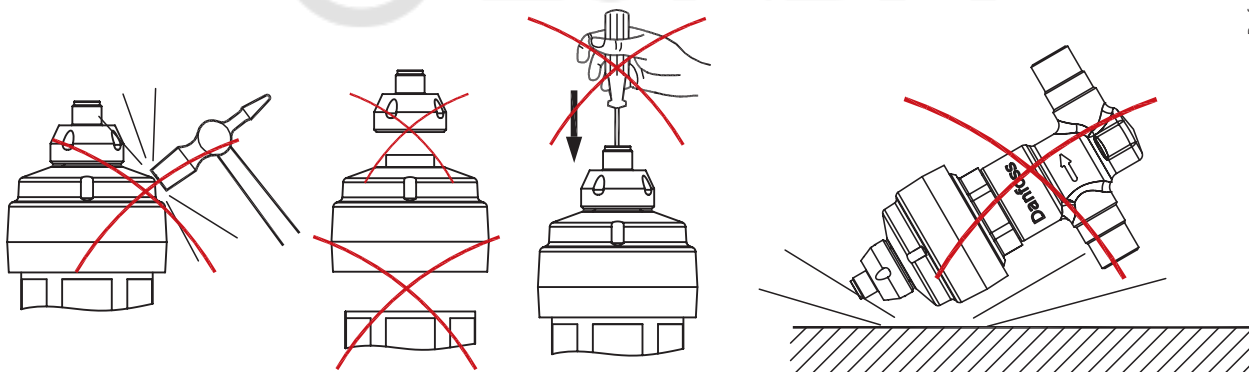
Electrical connections for  
CCMT 2 - CCMT 42



Warning

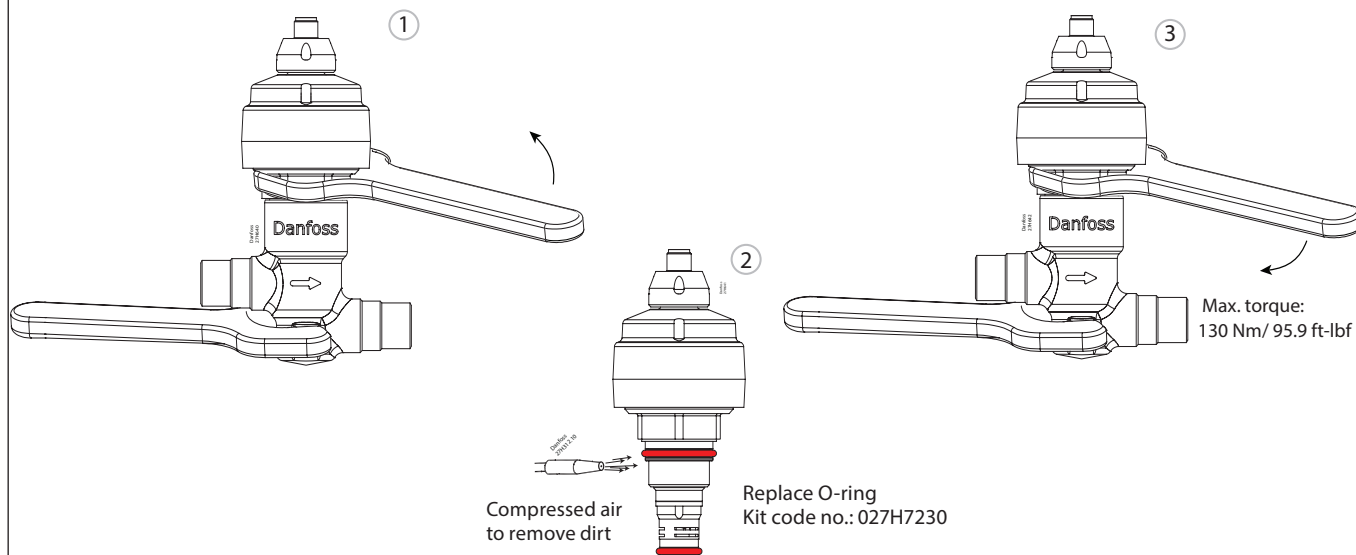
LUNDA

Danfoss  
34G242



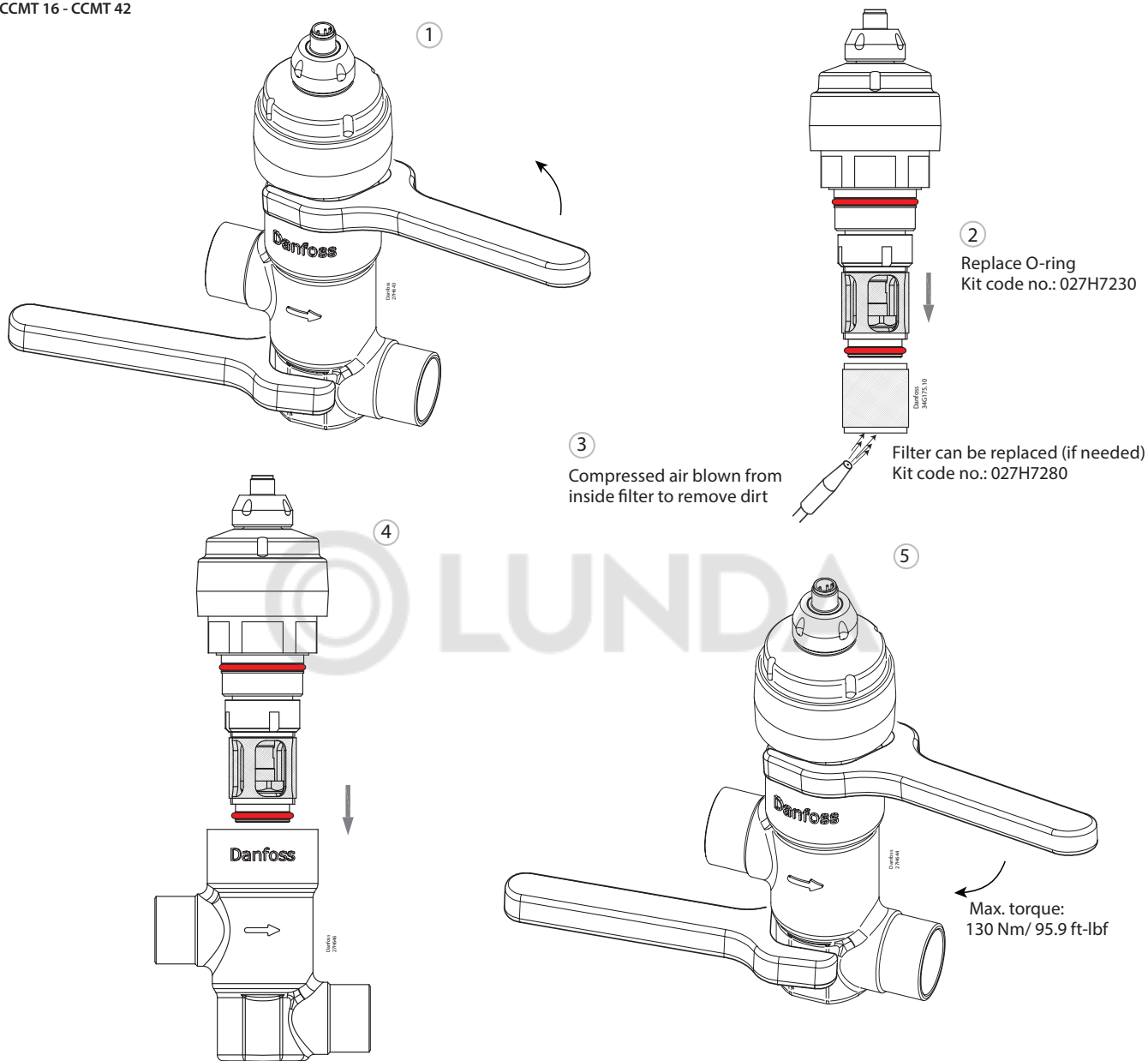
Service only

CCMT 2 - CCMT 8



**Service only**

CCMT 16 - CCMT 42



**Service only**

Only CCMT 16 - CCMT 42 with integrated pressure transmitter

Pressure transmitter, type DST P310

Connection : Round Packard Metripack

Supply voltage : 5 V DC  $\pm$  0.5 V

Output signal : 10 – 90 % of supply voltage

Pressure range : -1 to 159 bar / -14.5 to 2306 psi sealed gauge

