

Milwaukee®

Nothing but **HEAVY DUTY**®



HDE 13 RQX

HDE 6 RQ

HDE 10 RQX

Original instructions
Originalbetriebsanleitung
Notice originale
Istruzioni originali
Manual original
Oorspronkelijke
gebruiksaanwijzing
Original brugsanvisning
Original bruksanvisning
Bruksanvisning i original
Alkuperäiset ohjeet

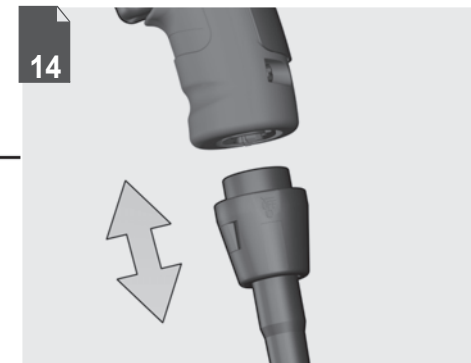
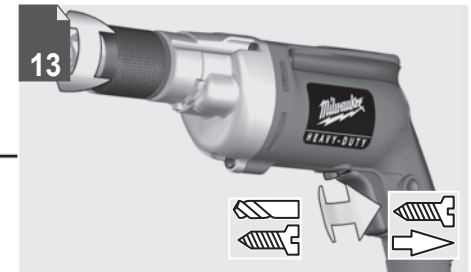
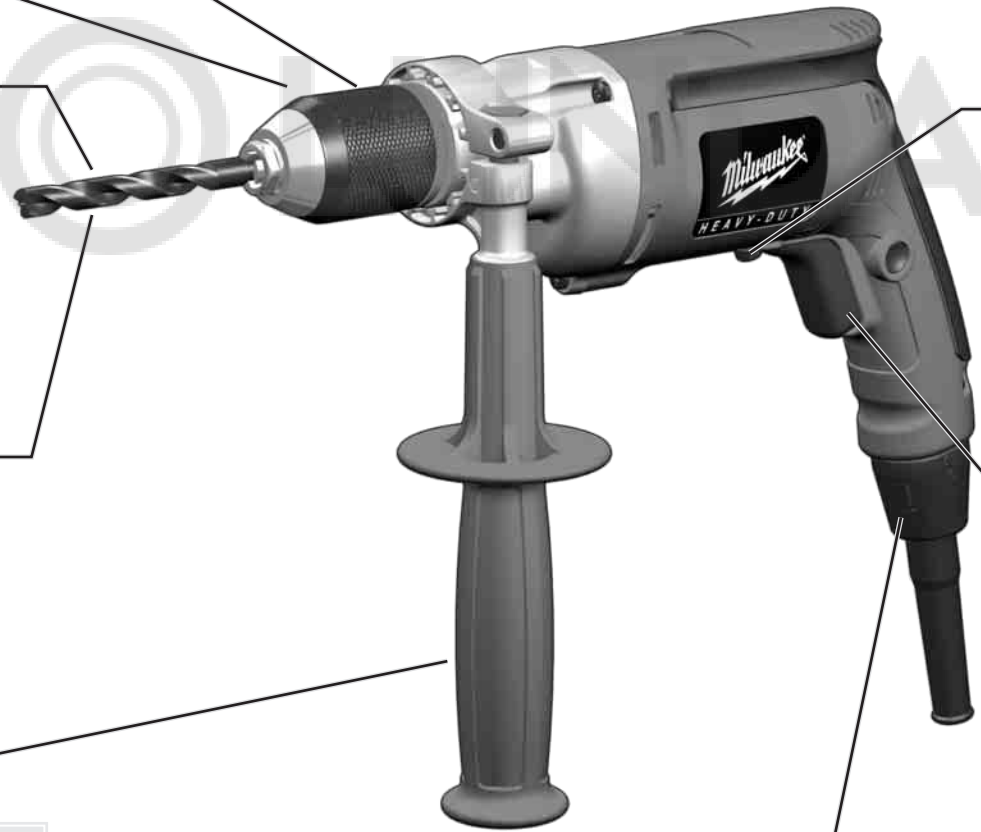
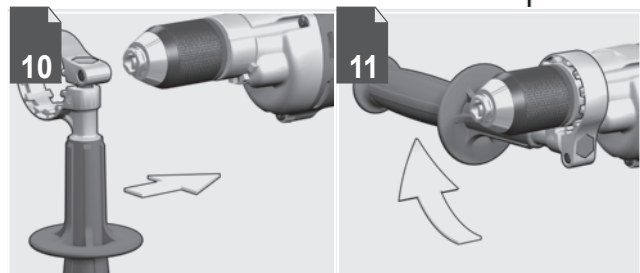
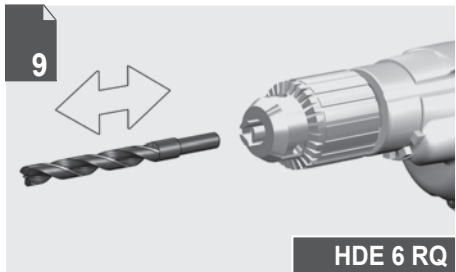
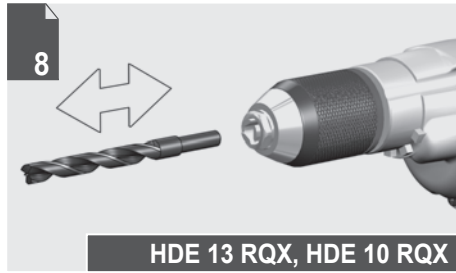
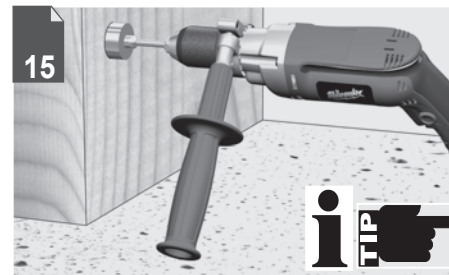
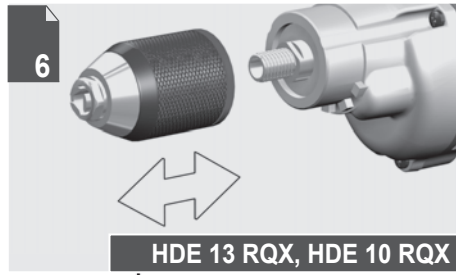
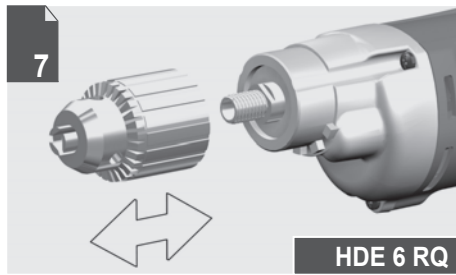
Πρωτότυπο οδηγιών χρήσης
Orijinal işletme talimatı
Původním návodem k
používání
Pôvodný návod na použitie
Instrukcją oryginalną
Eredeti használati utasítás
Izvirna navodila
Originalne pogonske upute
Instrukcijām oriģināvalodā
Originali instrukcija

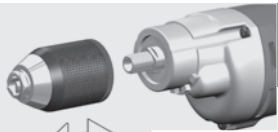
Algupärane kasutusjuhend
Оригинальное руководство
по эксплуатации
Оригинално ръководство за
експлоатация
Instrucțiuni de folosire
originale
Оригинален прирачник за
работа
Оригінал інструкції з
експлуатації

التعليمات الأصلية

ENGLISH		Picture section with operating description and functional description	4
DEUTSCH		Bildteil mit Anwendungs- und Funktionsbeschreibungen	4
FRANÇAIS		Partie imagée avec description des applications et des fonctions	4
ITALIANO		Sezione illustrata con descrizione dell'applicazione e delle funzioni	4
ESPAÑOL		Sección de ilustraciones con descripción de aplicación y descripción funcional	4
PORTUGUES		Parte com imagens explicativas contendo descrição operacional e funcional	4
NEDERLANDS		Beelddedeelte met toepassings- en functiebeschrijvingen	4
DANSK		Billedel med anvendelses- og funktionsbeskrivelser	4
NORSK		Billedel med bruks- og funksjonsbeskrivelse	4
SVENSKA		Bilddel med användnings- och funktionsbeskrivning	4
SUOMI		Kuvasivut käyttö- ja toimintakuvaukset	4
ΕΛΛΗΝΙΚΑ		Τμήμα εικόνων με περιγραφές χρήσης και λειτουργίας	4
TÜRKÇE		Resim bölümü Uygulama ve fonksiyon açıklamaları ile birlikte	4
ČESKY		Obrazová část s popisem aplikací a funkcí	4
SLOVENSKY		Obrazová část s popisom aplikácií a funkcií	4
POLSKI		Część rysunkowa z opisami zastosowania i działania	4
MAGYAR		Képes részalkalmazási- és működési leírásokkal	4
SLOVENSKO		Del slikez opisom uporabe in funkcij	4
HRVATSKI		Dio sa slikamasa opisima primjene i funkcija	4
LATVISKI		Attēla daļa ar lietošanas un funkciju aprakstiem	4
LIETUVIŠKAI		Paveikslėlio dalis su vartojimo instrukcija ir funkcijų aprašymais	4
EESTI		Pildiosa kasutusjuhendi ja funktsioonide kirjeldusega	4
РУССКИЙ		Раздел иллюстраций с описанием эксплуатации и функций	4
БЪЛГАРСКИ		Част със снимки с описание за приложение и функции	4
ROMÂNIA		Secvența de imagine cu descrierea utilizării și a funcțiilor	4
МАКЕДОНСКИ		Дел со сликисо описи за употреба и функционирање	4
УКРАЇНСЬКА		Частина з зображеннями з описом робіт та функцій	4
عربي		قسم الصور يوجد به الوصف التشغيلي والوظيفي	4

Text section with Technical Data, important Safety and Working Hints and description of Symbols	16
Textteil mit Technischen Daten, wichtigen Sicherheits- und Arbeitshinweisen und Erklärung der Symbole.	18
Partie textuelle avec les données techniques, les consignes importantes de sécurité et de travail ainsi que l'explication des pictogrammes.	20
Sezione testo con dati tecnici, importanti informazioni sulla sicurezza e sull'utilizzo, spiegazione dei simboli.	22
Sección de texto con datos técnicos, indicaciones importantes de seguridad y trabajo y explicación de los símbolos.	24
Parte com texto explicativo contendo Especificações técnicas, Avisos de segurança e de operação e a Descrição dos símbolos.	26
Tekstgedeelte met technische gegevens, belangrijke veiligheids- en arbeidsinstructies en verklaring van de symbolen.	28
Tekstdel med tekniske data, vigtige sikkerheds- og arbejdsanvisninger og symbolforklaring.	30
Tekstdel med tekniske data, viktige sikkerhets- og arbeidsinstruksjoner og forklaring av symbolene.	32
Textdel med tekniska informationer, viktiga säkerhets- och användningsinstruktioner samt symbolförklaringar.	34
Tekstisivut: tekniset tiedot, tärkeät turvallisuus- ja työskentelyohjeet sekä merkkien selitykset.	36
Τμήμα κειμένου με τεχνικά χαρακτηριστικά, σημαντικές υποδείξεις ασφαλείας και εργασίας και εξήγηση των συμβόλων.	38
Teknik bilgileri, önemli güvenlik ve çalışma açıklamalarını ve de sembollerin açıklamalarını içeren metin bölümü.	40
Textová část s technickými daty, důležitými bezpečnostními a pracovními pokyny a s vysvětlivkami symbolů	42
Textová část s technickými datami, důležitými bezpečnostními a pracovními pokyny a s vysvětlivkami symbolov	44
Część opisowa z danymi technicznymi, ważnymi wskazówkami dotyczącymi bezpieczeństwa i pracy oraz objaśnieniami symboli.	46
Szöveges rész műszaki adatokkal, fontos biztonsági- és munkavégzési útmutatásokkal, valamint a szimbólumok magyarázata.	48
Del besedila s tehničnimi podatki, pomembnimi varnostnimi opozorili in delovnimi navodili in pojasnili simbolov.	50
Dio štiva sa tehničkim podacima, važnim sigurnosnim i radnim uputama i objašnjenjem simbola.	52
Teksta daļa ar tehnikajiem parametriem, svarīgiem drošības un darbības norādījumiem, simbolu atšifrējumiem.	54
Teksto dalis su techniniais duomenimis, svarbiomis saugumo ir darbo instrukcijomis bei simbolių paaiškinimais.	56
Tekstiosa tehniliste näitajate, oluliste ohutus- ja tööjuhenditega ning sümbolite kirjeldustega.	58
Текстовый раздел, включающий технические данные, важные рекомендации по безопасности и эксплуатации, а также описание используемых символов.	60
Част с текст с технически данни, важни указания за безопасност и работа и разяснение на символите.	62
Porțiune de text cu date tehnice, indicații importante privind siguranța și modul de lucru și descrierea simbolurilor.	64
Tekstuaelen del со Технички карактеристики, важни безбедносни и работни упатства и објаснување на симболите.	66
Текстова частина з техничними даними, важливими вказівками з техніки безпеки та експлуатації і поясненням символів.	68
القسم النصي المزود بالبيانات الفنية والنصائح الهامة للسلامة والعمل ووصف الرموز	71

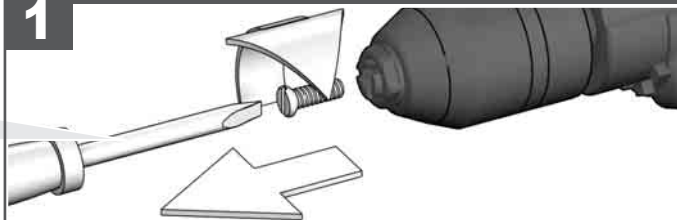




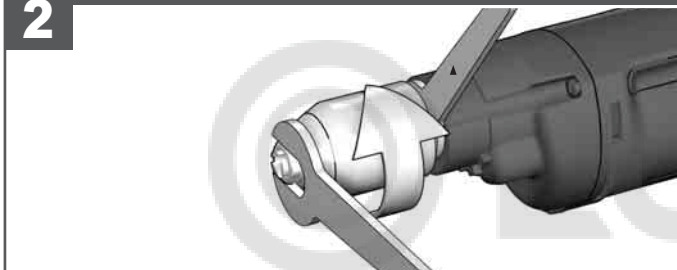
HDE 13 RQX
HDE 10 RQX



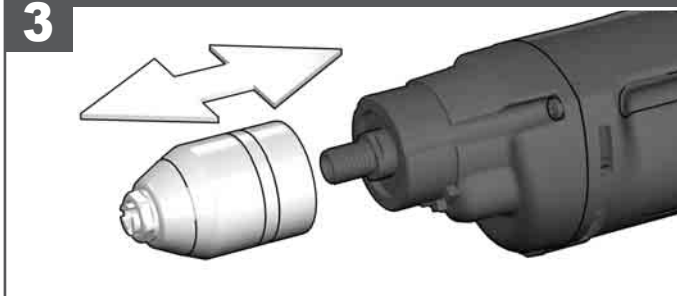
1



2



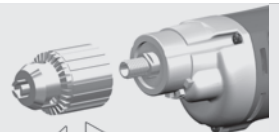
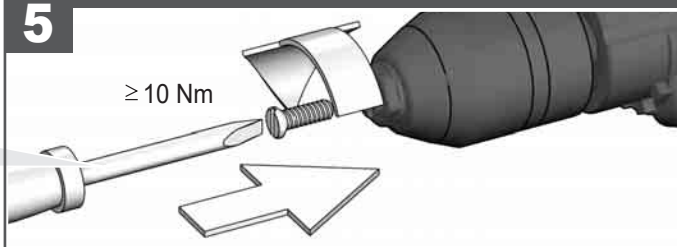
3



4



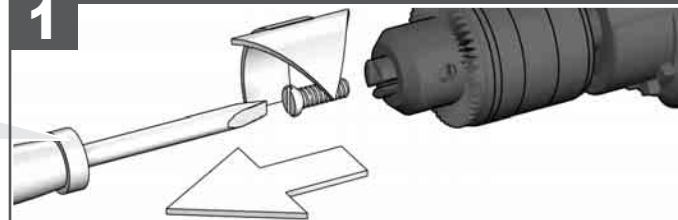
5



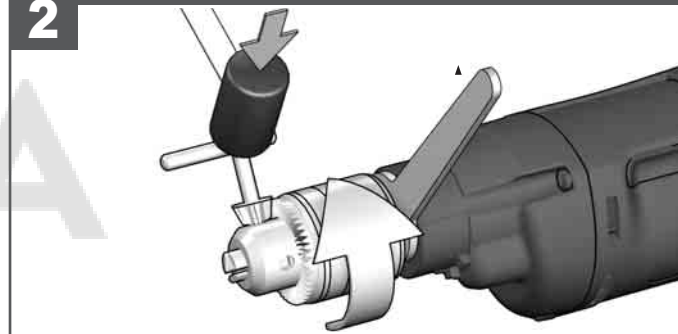
HDE 6 RQ



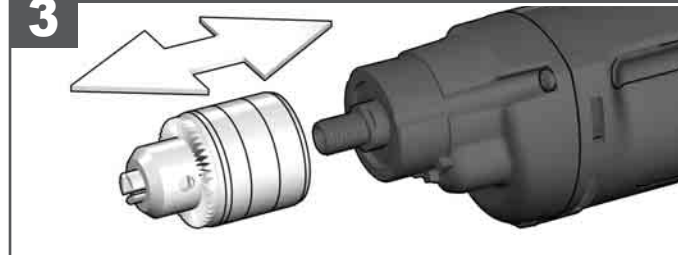
1



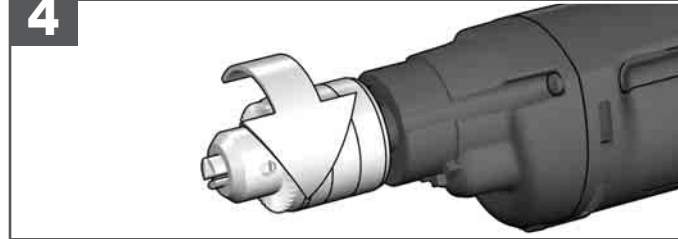
2



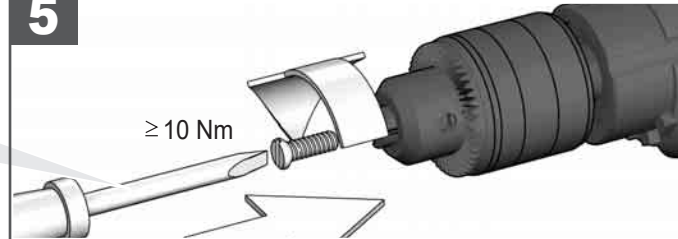
3

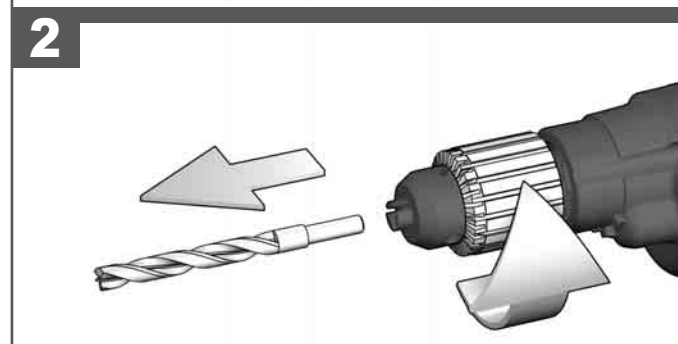
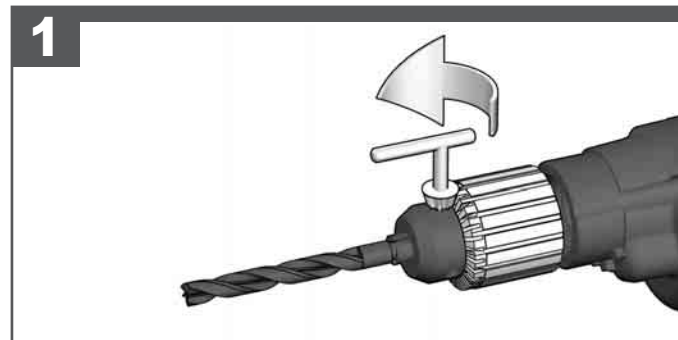
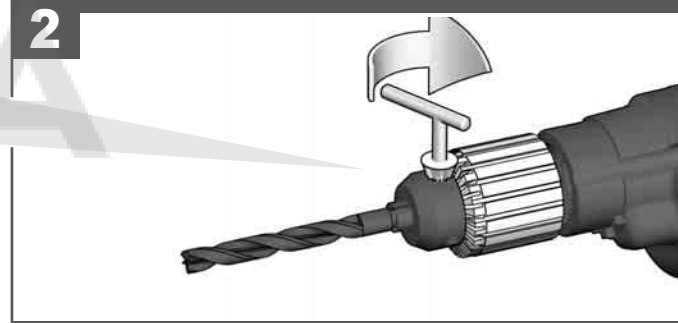
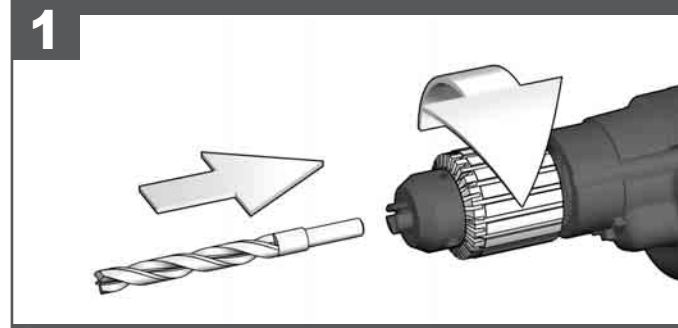
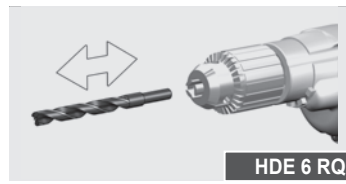
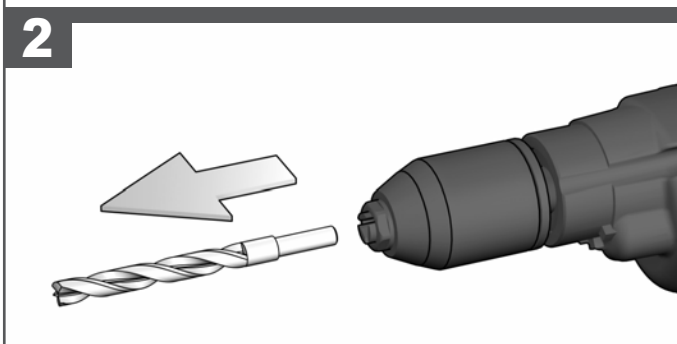
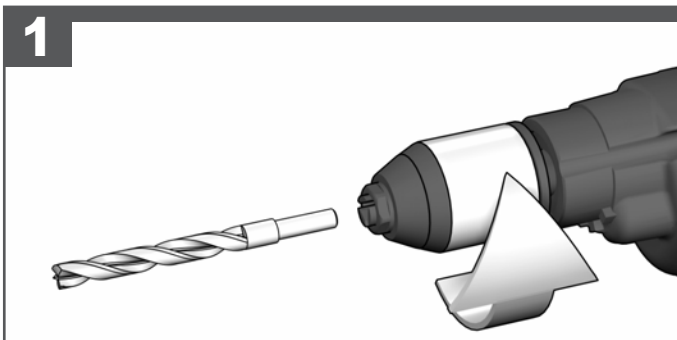
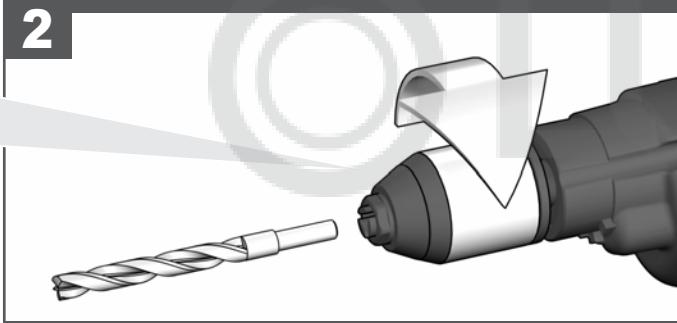
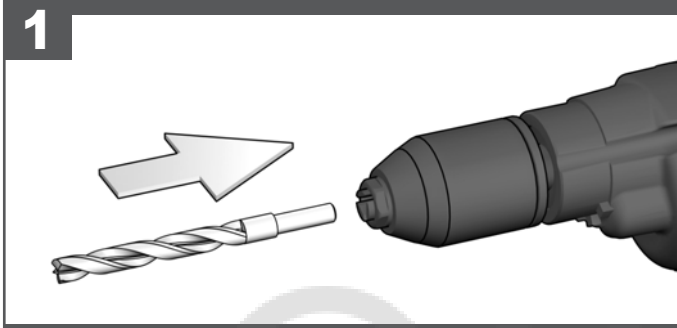
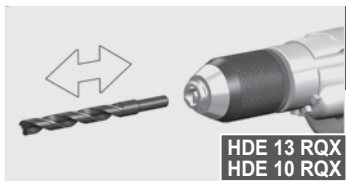


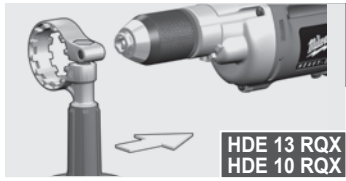
4



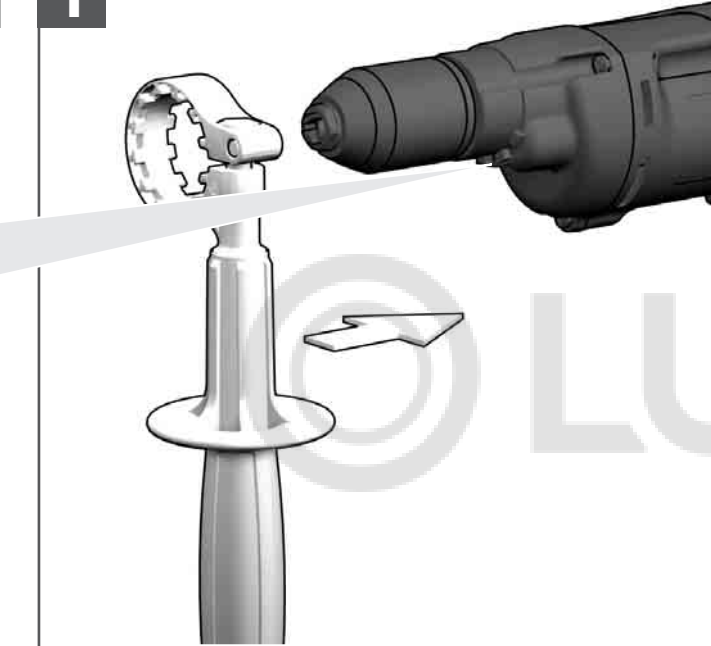
5



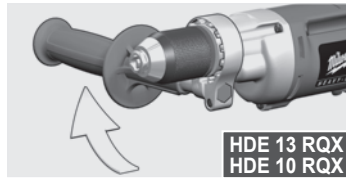
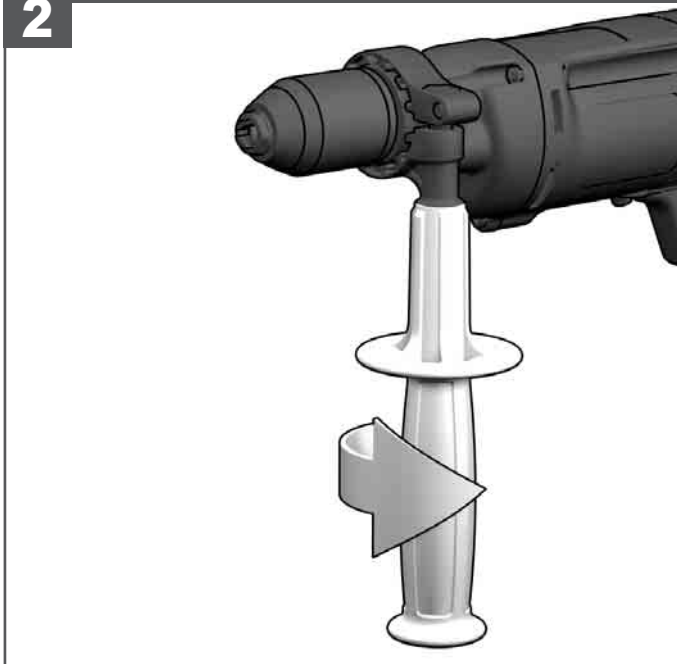




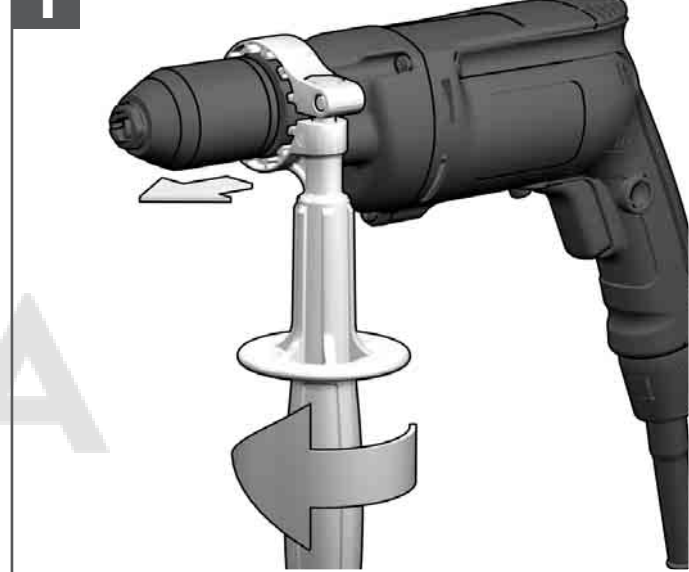
1



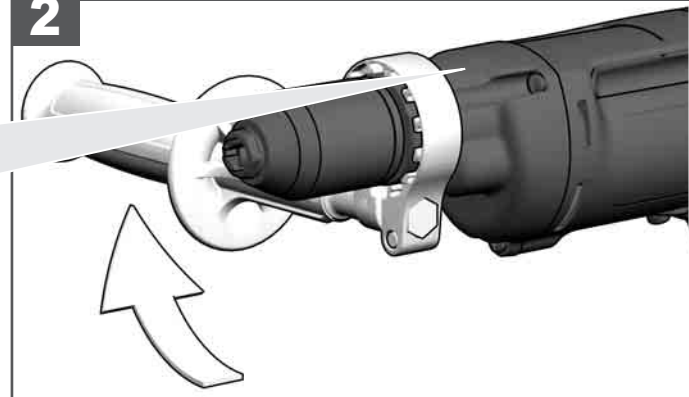
2



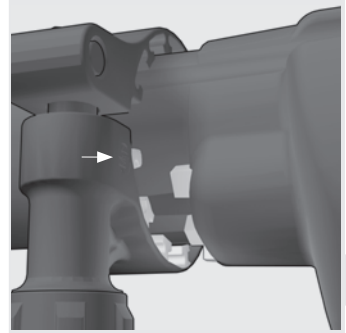
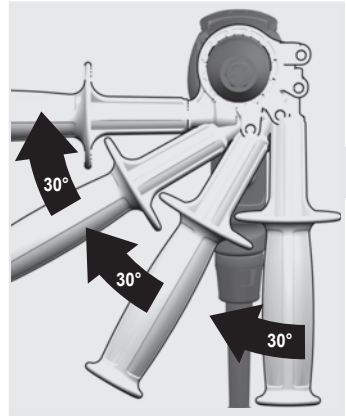
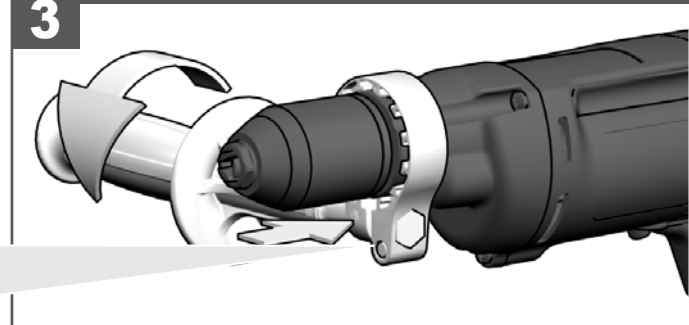
1

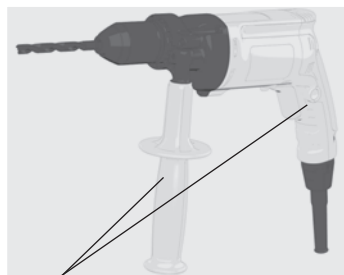


2



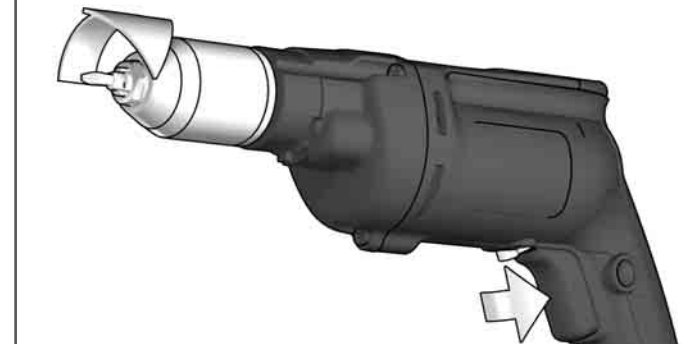
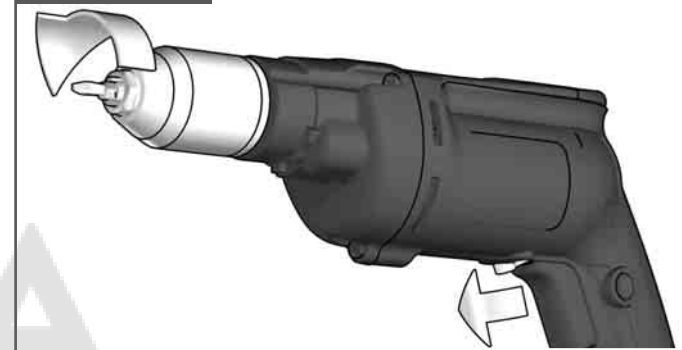
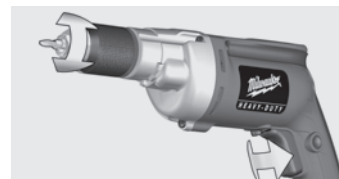
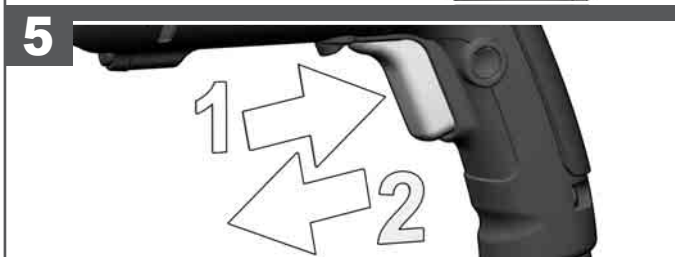
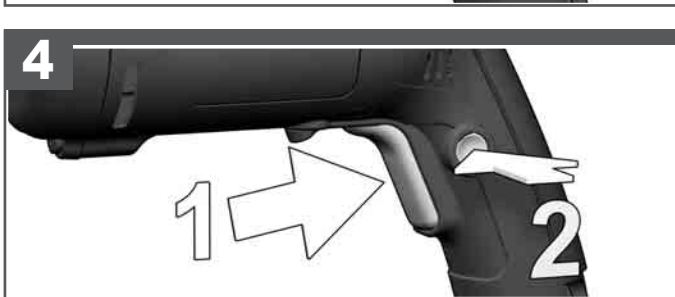
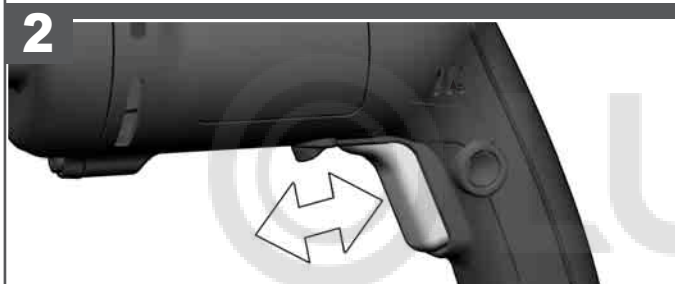
3





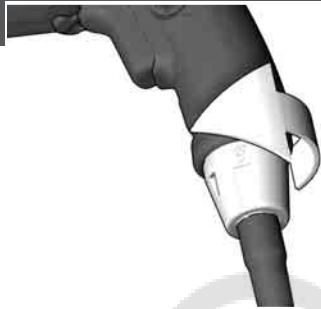
- Handle (insulated gripping surface)
- Handgriff (isolierte Grifffläche)
- Poignée (surface de prise isolée)
- Impugnatura (superficie di presa isolata)
- Empuñadura (superficie de agarre con aislamiento)
- Manípulo (superficie de pega isolada)
- Handgreep (geïsoleerd)
- Håndtag (isolerede gribeflader)
- Håndtak (isoleret gripeflate)
- Handtag (isolerad greppyta)
- Kahva (eristetty tarttumapinta)
- Χειρολαβή (μονωμένη επιφάνεια λαβής)
- Ei kulpu (izolasyonlu tutma yüzeyi)
- Rukojeť (izolovaná uchoповací plocha)
- Rukovät' (izolovaná úchopná plocha)
- Uchwyt (z izolowaną powierzchnią)
- Fogantyú (szigetelt fogófelület)
- Ročaj (izolirana prijemalna površina)
- Rukohvat (izolirana površina za držanje)
- Rokturis (izolēta satveršanas virsma)
- Rankena (izoliuotas rankenos paviršius)
- Käerpeide (isoleeritud pideme piirkond)
- Ружьятка (изолированная поверхность ручки)
- Ръкохватка (изолирана повърхност за хващане)
- Mâner (suprafață de prindere izolată)
- Дршка (изолирана површина)
- Ручка (ізолювана поверхня ручки)

المقبض (مساحة المقبض معزولة)





1



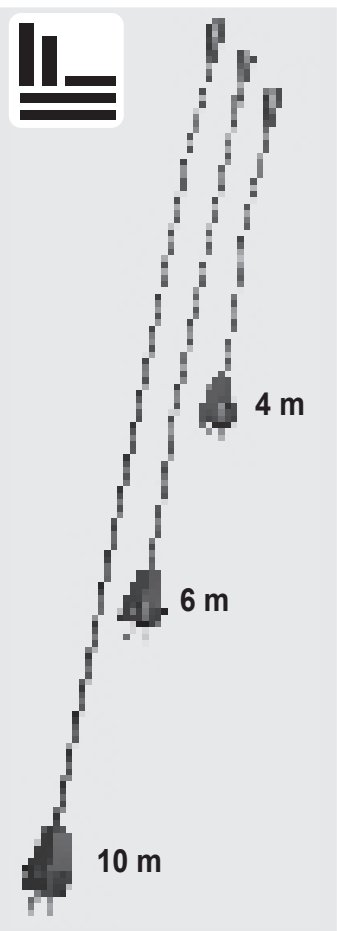
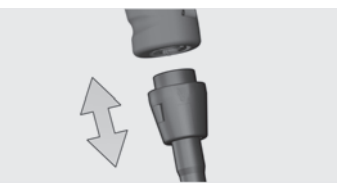
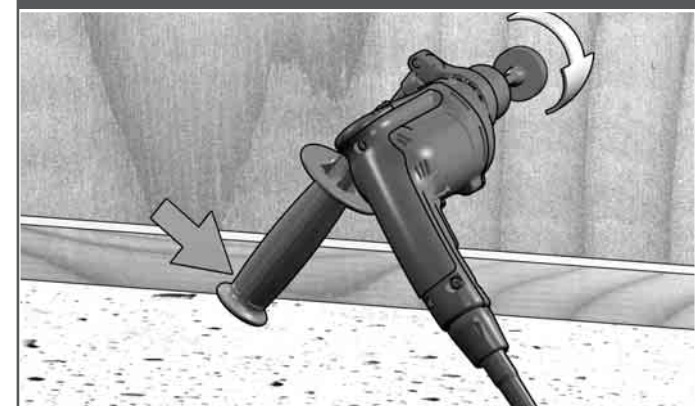
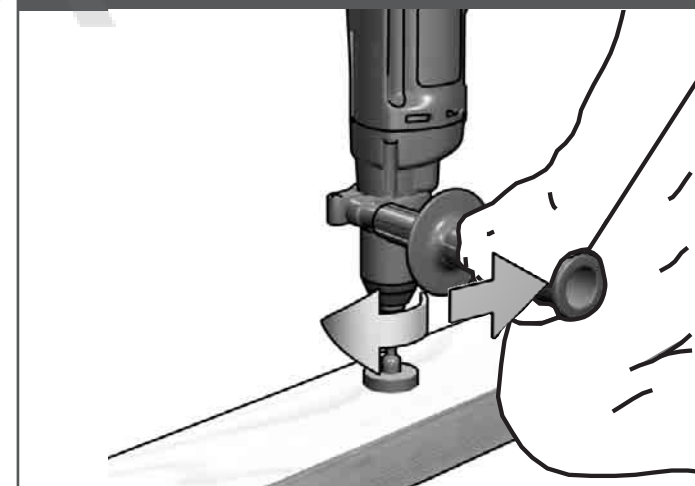
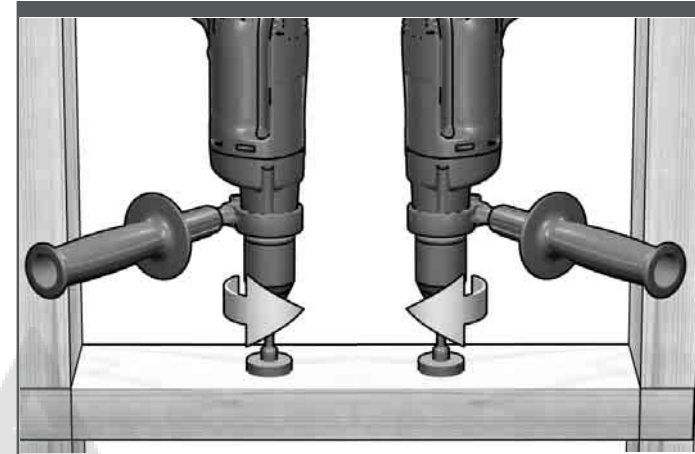
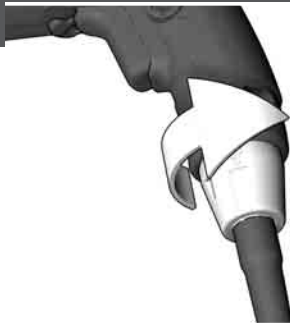
2



1



2



TECHNICAL DATA **ROTARY DRILL** **HDE 13 RQX** **HDE 10 RQX** **HDE 6 RQ**

Production code.....	3844 92 05.....	3845 23 05.....	7520 27 05.....
	...000001-999999	...000001-999999	...000001-999999
Rated input.....	950 W	725 W	725 W
Output.....	475 W	362 W	362 W
No-load speed.....	0-900 min ⁻¹	0-1200 min ⁻¹	0-4200 min ⁻¹
Speed under load max.....	0-550 min ⁻¹	0-795 min ⁻¹	0-2680 min ⁻¹
Drilling capacity in steel.....	13 mm	10 mm	6 mm
Drilling capacity in soft- wood.....	38 mm	30 mm	16 mm
Drilling capacity in Aluminium.....	20 mm	13 mm	8 mm
Drill chuck range.....	1,5-13 mm	1,0-10 mm	1,0-10 mm
Drive shank.....	1/2"x20	1/2"x20	3/8"x24
Weight according EPTA-Procedure 01/2014.....	2,0 kg	1,9 kg	1,4 kg

Noise information
 Measured values determined according to EN 62841.
 Typically, the A-weighted noise levels of the tool are:
 Sound pressure level (Uncertainty K=3dB(A)) 99 dB (A) 99 dB (A) 99 dB (A)
 Sound power level (Uncertainty K=3dB(A)) 110 dB (A) 110 dB (A) 110 dB (A)

Wear ear protectors!
Vibration information
 Vibration total values (triaxial vector sum) determined according to EN 62841
 Vibration emission value a_v 5,4 m/s² 2,7 m/s² 6,8 m/s²
 Uncertainty K= 1,5 m/s² 1,5 m/s² 1,5 m/s²

WARNING
 The vibration emission level given in this information sheet has been measured in accordance with a standardised test given in EN 62841 and may be used to compare one tool with another. It may be used for a preliminary assessment of exposure.
 The declared vibration emission level represents the main applications of the tool. However if the tool is used for different applications, with different accessories or poorly maintained, the vibration emission may differ. This may significantly increase the exposure level over the total working period.
 An estimation of the level of exposure to vibration should also take into account the times when the tool is switched off or when it is running but not actually doing the job. This may significantly reduce the exposure level over the total working period.
 Identify additional safety measures to protect the operator from the effects of vibration such as: maintain the tool and the accessories, keep the hands warm, organisation of work patterns.

⚠ WARNING Read all safety warnings, instructions, illustrations and specifications provided with this power tool. Failure to follow all instructions listed below may result in electric shock, fire and/or serious injury. **Save all warnings and instructions for future reference.**

- ⚠ DRILL SAFETY WARNINGS**
- **Use the auxiliary handle.** Loss of control can cause personal injury.
 - **Brace the tool properly before use.** This tool produces a high output torque and without properly bracing the tool during operation, loss of control may occur resulting in personal injury.
 - **Hold the power tool by insulated gripping surfaces, when performing an operation where the cutting accessory may contact hidden wiring or its own cord.** Cutting accessory contacting a "live" wire may make exposed metal parts of the power tool "live" and could give the operator an electric shock.

- SAFETY INSTRUCTIONS WHEN USING LONG DRILL BITS**
- **Never operate at higher speed than the maximum speed rated of the drill bit.** At higher speeds, the bit is likely to bend if allowed to rotate freely without contacting the workpiece, resulting the personal injury.
 - **Always start drilling at low speed and with the bit tip in contact with the workpiece.** At higher speeds, the bit is likely to bend if allowed to rotate freely without contacting the workpiece, resulting the personal injury.
 - **Apply pressure only in direct line with the bit and do not apply excessive pressure.** Bits can bend causing breakage or loss of control, resulting in personal injury.

ADDITIONAL SAFETY AND WORKING INSTRUCTIONS

Use protective equipment. Always wear safety glasses when working with the machine. The use of protective clothing is recommended, such as dust mask, protective gloves, sturdy non-slip footwear, helmet and ear defenders.
 The dust produced when using this tool may be harmful to health. Do not inhale the dust. Wear a suitable dust protection mask.
 Do not machine any materials that present a danger to health (e.g. asbestos).
 Switch the device off immediately if the insertion tool stalls! Do not switch the device on again while the insertion tool is stalled, as doing so could trigger a sudden recoil with a high reactive force. Determine why the insertion tool stalled and rectify this, paying heed to the safety instructions.
 The possible causes may be:
 • it is tilted in the workpiece to be machined
 • it has pierced through the material to be machined
 • the power tool is overloaded
 Do not reach into the machine while it is running.
 The insertion tool may become hot during use.
WARNING! Danger of burns
 • when changing tools
 • when setting the device down
 Chips and splinters must not be removed while the machine is running.
 Keep mains lead clear from working range of the machine. Always lead the cable away behind you.
 When working in walls ceiling, or floor, take care to avoid electric cables and gas or waterpipes.
 Clamp your workpiece with a clamping device. Unclamped workpieces can cause severe injury and damage.

Always disconnect the plug from the socket before carrying out any work on the machine.
 When working with large drill diameters, the auxiliary handle must be fastened in a right angle with the main handle (see illustrations, section "Twisting the handle").

SPECIFIED CONDITIONS OF USE


The drill can be used for drilling in wood, metal and plastics and for screwdriving.
 Do not use this product in any other way as stated for normal use.

EC-DECLARATION OF CONFORMITY

We declare under our sole responsibility that the product described under "Technical Data" fulfills all the relevant regulations and the directives 2011/65/EU (RoHS), 2014/30/EU, 2006/42/EC, and the following harmonized standards have been used:
 EN 62841-1:2015
 EN 62841-2-1:2018+A11:2019
 EN 55014-1:2017+A11:2020
 EN 55014-2:2015
 EN 61000-3-2:2014
 EN 61000-3-3:2013
 EN IEC 63000:2018

Winnenden, 2020-11-05

Alexander Krug
 Alexander Krug
 Managing Director
 Authorized to compile the technical file
 Techtronic Industries GmbH
 Max-Eyth-Straße 10
 71364 Winnenden
 Germany



GB-DECLARATION OF CONFORMITY

We declare as the manufacturer under our sole responsibility that the product described under "Technical Data" fulfills all the relevant provisions of the following Regulations S.I. 2008/1597 (as amended), S.I. 2016/1091 (as amended), S.I. 2012/3032 (as amended) and that the following designated standards have been used:
 BS EN 62841-1:2015
 BS EN 62841-2-1:2018+A11:2019
 BS EN 55014-1:2017+A11:2020
 BS EN 55014-2:2015
 BS EN 61000-3-2:2014
 BS EN 61000-3-3:2013
 BS EN IEC 63000:2018

Winnenden, 2020-11-05

Alexander Krug
 Alexander Krug
 Managing Director
 Authorized to compile the technical file.
 Techtronic Industries GmbH
 Max-Eyth-Straße 10
 71364 Winnenden
 Germany

MAINS CONNECTION







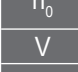




Appliances used at many different locations including wet room and open air must be connected via a residual current device (FI, RCD, PRCD) of 30mA or less.
 Connect only to single-phase AC current and only to the system voltage indicated on the rating plate. It is also possible to connect to sockets without an earthing contact as the design conforms to safety class II.
 Make sure the machine is switched off before plugging in.

MAINTENANCE

The ventilation slots of the machine must be kept clear at all times.
 It is recommended to regularly use cleaner for the clamping jaws and the clamping jaw borings.
 If the supply cord of this power tool is damaged, it must be replaced by a specially prepared cord available through the service organization.
 Use only Milwaukee accessories and spare parts. Should components need to be replaced which have not been described, please contact one of our Milwaukee service agents (see our list of guarantee/service addresses).

If needed, an exploded view of the tool can be ordered. Please state the Article No. as well as the machine type printed on the label and order the drawing at your local service agents or directly at: Techtronic Industries GmbH, Max-Eyth-Straße 10, 71364 Winnenden, Germany.

SYMBOLS

	CAUTION! WARNING! DANGER!
	Always disconnect the plug from the socket before carrying out any work on the machine.
	Please read the instructions carefully before starting the machine.
	Accessory - Not included in standard equipment, available as an accessory.
	Do not dispose of electric tools together with household waste material. Electric tools and electronic equipment that have reached the end of their life must be collected separately and returned to an environmentally compatible recycling facility. Check with your local authority or retailer for recycling advice and collection point.
	Class II tool, tool in which protection against electric shock does not rely on basic insulation only, but in which additional safety precautions, such as double insulation or reinforced insulation, are provided. There being no provision for protective earthing or reliance upon installation conditions.
n_0	No-load speed
V	Volts
	AC Current
	European Conformity Mark
	British Conformity Mark
	Ukraine Conformity Mark
	EurAsian Conformity Mark

TECHNISCHE DATEN **BOHRMASCHINE** **HDE 13 RQX** **HDE 10 RQX** **HDE 6 RQ**

Produktionsnummer	3844 92 05...	3845 23 05...	7520 27 05...
	...000001-999999	...000001-999999	...000001-999999
Nennaufnahmeleistung.....	950 W	725 W	725 W
Abgabeleistung.....	475 W	362 W	362 W
Leerlaufdrehzahl.....	0-900 min ⁻¹	0-1200 min ⁻¹	0-4200 min ⁻¹
Lastdrehzahl max.	0-550 min ⁻¹	0-795 min ⁻¹	0-2680 min ⁻¹
Bohr-Ø in Stahl.....	13 mm	10 mm	6 mm
Bohr-Ø in Weichholz.....	38 mm	30 mm	16 mm
Bohr-Ø in Aluminium.....	20 mm	13 mm	8 mm
Bohrfutterspannbereich	1,5-13 mm	1,0-10 mm	1,0-10 mm
Bohrspindel.....	1/2"x20	1/2"x20	3/8"x24
Gewicht nach EPTA-Prozedur 01/2014.....	2,0 kg	1,9 kg	1,4 kg

Geräuschinformationen

Messwerte ermittelt entsprechend EN 62841.
Der A-bewertete Geräuschpegel des Gerätes beträgt typischerweise:

Schalldruckpegel (Unsicherheit K=3dB(A)).....	99 dB (A)	99 dB (A)	99 dB (A)
Schalleistungspegel (Unsicherheit K=3dB(A)).....	110 dB (A)	110 dB (A)	110 dB (A)

Gehörschutz tragen!

Vibrationsinformationen

Schwingungsgesamtwerte (Vektorsumme dreier Richtungen) ermittelt entsprechend EN 62841:

Schwingungsemissionswert a _w	5,4 m/s ²	2,7 m/s ²	6,8 m/s ²
Unsicherheit K =	1,5 m/s ²	1,5 m/s ²	1,5 m/s ²

WARNUNG

Der in diesen Anweisungen angegebene Schwingungspegel ist entsprechend einem in EN 62841 genormten Messverfahren gemessen worden und kann für den Vergleich von Elektrowerkzeugen miteinander verwendet werden. Er eignet sich auch für eine vorläufige Einschätzung der Schwingungsbelastung.

Der angegebene Schwingungspegel repräsentiert die hauptsächlichsten Anwendungen des Elektrowerkzeuges. Wenn allerdings das Elektrowerkzeug für andere Anwendungen, mit abweichenden Einsatzwerkzeugen oder ungenügender Wartung eingesetzt wird, kann der Schwingungspegel abweichen. Dies kann die Schwingungsbelastung über den gesamten Arbeitszeitraum deutlich erhöhen.

Für eine genaue Abschätzung der Schwingungsbelastung sollten auch die Zeiten berücksichtigt werden, in denen das Gerät abgeschaltet ist oder zwar läuft, aber nicht tatsächlich im Einsatz ist. Dies kann die Schwingungsbelastung über den gesamten Arbeitszeitraum deutlich reduzieren.

Legen Sie zusätzliche Sicherheitsmaßnahmen zum Schutz des Bedieners vor der Wirkung von Schwingungen fest wie zum Beispiel: Wartung von Elektrowerkzeug und Einsatzwerkzeugen, Warmhalten der Hände, Organisation der Arbeitsabläufe.

⚠️ WARNUNG! Lesen Sie alle Sicherheitshinweise, Anweisungen, Darstellungen und Spezifikationen für dieses Elektrowerkzeug. Versäumnisse bei der Einhaltung der nachstehenden Anweisungen können elektrischen Schlag, Brand und/oder schwere Verletzungen verursachen.
Bewahren Sie alle Sicherheitshinweise und Anweisungen für die Zukunft auf.

⚠️ SICHERHEITSHINWEISE FÜR BOHRMASCHINEN

- **Benutzen Sie den Zusatzhandgriff.** Der Verlust der Kontrolle kann zu Verletzungen führen.
- **Halten Sie das Gerät vor Arbeitsbeginn am dafür vorgesehenen Griff gut fest.** Dieses Gerät erzeugt ein hohes Abtriebsdrehmoment und wenn Sie es während des Betriebs nicht gut festhalten, könnten Sie die Kontrolle darüber verlieren und sich verletzen.
- **Halten Sie das Elektrowerkzeug an den isolierten Griffflächen, wenn Sie Arbeiten ausführen, bei denen das Einsatzwerkzeug verborgene Stromleitungen oder das eigene Netzkabel treffen kann.**
Der Kontakt mit einer spannungsführenden Leitung kann metallene Geräteteile unter Spannung setzen und zu einem elektrischen Schlag führen.

SICHERHEITSHINWEISE BEI VERWENDUNG LANGER BOHRER

- **Verwenden Sie niemals eine höhere Drehzahl als die maximale Drehzahl, die für den Bohreinsatz angegeben ist.** Bei höheren Drehzahlen kann sich der Bohreinsatz verbiegen, wenn er ohne Kontakt zum Werkstück dreht, was zu Verletzungen führen kann.
- **Starten Sie immer mit einer niedrigen Drehzahl und während sich der Bohreinsatz in Kontakt mit dem Werkstück befindet.** Bei höheren Drehzahlen kann sich der Bohreinsatz

verbiegen, wenn er ohne Kontakt zum Werkstück dreht, was zu Verletzungen führen kann.

- **Üben Sie Druck immer nur in direkter Ausrichtung zum Bohreinsatz aus und drücken Sie nicht zu fest.** Bohreinsätze können verbiegen und brechen oder zu einem Verlust der Kontrolle über das Gerät führen, wodurch es wiederum zu Verletzungen kommen kann.

WEITERE SICHERHEITS- UND ARBEITSHINWEISE

Schutzausrüstung verwenden. Beim Arbeiten mit der Maschine stets Schutzbrille tragen. Schutzkleidung wie Staubschutzmaske, Schutzhandschuhe, festes und rutschsicheres Schuhwerk, Helm und Gehörschutz werden empfohlen.
Beim Arbeiten entstehender Staub ist oft gesundheitsschädlich und sollte nicht in den Körper gelangen. Geeignete Staubschutzmaske tragen.
Es dürfen keine Materialien bearbeitet werden, von denen eine Gesundheitsgefährdung ausgeht (z.B. Asbest).
Beim Blockieren des Einsatzwerkzeuges bitte das Gerät sofort ausschalten! Schalten Sie das Gerät nicht wieder ein, solange das Einsatzwerkzeug blockiert ist; hierbei könnte ein Rückschlag mit hohem Reaktionsmoment entstehen. Ermitteln und beheben Sie die Ursache für die Blockierung des Einsatzwerkzeuges unter Berücksichtigung der Sicherheitshinweise.
Mögliche Ursachen dafür können sein:
• Verkanten im zu bearbeitenden Werkstück
• Durchbrechen des zu bearbeitenden Materials
• Überlasten des Elektrowerkzeuges
Greifen Sie nicht in die laufende Maschine.
Das Einsatzwerkzeug kann während der Anwendung heiß werden.
WARNUNG! Verbrennungsgefahr
• bei Werkzeugwechsel

- bei Ablegen des Gerätes
- Späne oder Splitter dürfen bei laufender Maschine nicht entfernt werden.
- Anschlusskabel stets vom Wirkungsbereich der Maschine fernhalten. Kabel immer nach hinten von der Maschine wegführen.
- Beim Arbeiten in Wand, Decke oder Fußboden auf elektrische Kabel, Gas- und Wasserleitungen achten.
- Sichern Sie Ihr Werkstück mit einer Spannvorrichtung. Nicht gesicherte Werkstücke können schwere Verletzungen und Beschädigungen verursachen.
- Vor allen Arbeiten an der Maschine Stecker aus der Steckdose ziehen.
- Bei großen Bohrdurchmessern muss der Zusatzhandgriff rechtwinklig zum Haupthandgriff befestigt werden (siehe auch im Bildteil, Abschnitt "Handgriff verdrehen").

BESTIMMUNGSGEMÄSSE VERWENDUNG

Die Bohrmaschine ist einsetzbar zum Bohren von Holz, Metall und Kunststoff und zum Schrauben.
Dieses Gerät darf nur wie angegeben bestimmungsgemäß verwendet werden.

CE-KONFORMITÄTSERKLÄRUNG

Wir erklären in alleiniger Verantwortung, dass das unter „Technische Daten“ beschriebene Produkt mit allen relevanten Vorschriften der Richtlinie 2011/65/EU (RoHS), 2014/30/EU, 2006/42/EG und den folgenden harmonisierten normativen Dokumenten übereinstimmt:
EN 62841-1:2015
EN 62841-2-1:2018+A11:2019
EN 55014-1:2017+A11:2020
EN 55014-2:2015
EN 61000-3-2:2014
EN 61000-3-3:2013
EN IEC 63000:2018

Winnenden, 2020-11-05

Alexander Krug
Alexander Krug
Managing Director
Bevollmächtigt die technischen Unterlagen zusammenzustellen
Techtronic Industries GmbH
Max-Eyth-Straße 10
71364 Winnenden
Germany

NETZANSCHLUSS

Steckdosen in Feuchträumen und Außenbereichen müssen mit Fehlerstrom-Schutzschaltern (FI, RCD, PRCD) ausgerüstet sein. Das verlangt die Installationsvorschrift für Ihre Elektroanlage. Bitte beachten Sie das bei der Verwendung unseres Gerätes.
Nur an Einphasen-Wechselstrom und nur an die auf dem Leistungsschild angegebene Netzspannung anschließen.
Anschluss ist auch an Steckdosen ohne Schutzkontakt möglich, da ein Aufbau der Schutzklasse II vorliegt.
Gerät nur ausgeschaltet an die Steckdose anschließen.

WARTUNG

Stets die Lüftungsschlitze der Maschine sauber halten.
Die regelmäßige Verwendung von Reinigungsspray an den Spannbacken und Spannbackenbohrungen wird empfohlen.
Ist die Anschlussleitung des Elektrowerkzeuges beschädigt, muss sie durch eine speziell vorgeschaltete Anschlussleitung ersetzt werden, die über die Kundendienstorganisation erhältlich ist.
Nur Milwaukee Zubehör und Ersatzteile verwenden. Bauteile, deren Austausch nicht beschrieben wurde, bei einer Milwaukee Kundendienststelle auswechseln lassen (Broschüre Garantie/ Kundendienstadressen beachten).

Bei Bedarf kann eine Explosionszeichnung des Gerätes unter Angabe der Maschinen Type und der sechsstelligen Nummer auf dem Leistungsschild bei Ihrer Kundendienststelle oder direkt bei Techtronic Industries GmbH, Max-Eyth-Straße 10, 71364 Winnenden, Germany angefordert werden.

SYMBOLS

	ACHTUNG! WARNUNG! GEFAHR!
	Vor allen Arbeiten an der Maschine Stecker aus der Steckdose ziehen.
	Bitte lesen Sie die Gebrauchsanweisung vor Inbetriebnahme sorgfältig durch.
	Zubehör - Im Lieferumfang nicht enthalten, empfohlene Ergänzung aus dem Zubehörprogramm.
	Elektrogeräte dürfen nicht zusammen mit dem Hausmüll entsorgt werden. Elektrische und elektronische Geräte sind getrennt zu sammeln und zur umweltgerechten Entsorgung bei einem Verwertungsbetrieb abzugeben. Erkundigen Sie sich bei den örtlichen Behörden oder bei Ihrem Fachhändler nach Recyclinghöfen und Sammelstellen."
	Elektrowerkzeug der Schutzklasse II. Elektrowerkzeug, bei dem der Schutz vor einem elektrischen Schlag nicht nur von der Basisisolierung abhängt, sondern auch davon, dass zusätzliche Schutzmaßnahmen, wie doppelte Isolierung oder verstärkte Isolierung, angewendet werden. Es gibt keine Vorrichtung zum Anschluss eines Schutzleiters.
	Leerlaufdrehzahl
	Spannung
	Wechselstrom
	Europäisches Konformitätszeichen
	Britisches Konformitätszeichen
	Ukrainisches Konformitätszeichen
	Euroasiatisches Konformitätszeichen

CARACTÉRISTIQUES TECHNIQUES PERCEUSE HDE 13 RQX HDE 10 RQX HDE 6 RQ

Numéro de série.....	3844 92 05.....	3845 23 05.....	7520 27 05.....
	...000001-999999	...000001-999999	...000001-999999
Puissance nominale de réception.....	950 W	725 W	725 W
Puissance utile.....	475 W	362 W	362 W
Vitesse de rotation à vide.....	0-900 min ⁻¹	0-1200 min ⁻¹	0-4200 min ⁻¹
Vitesse de rotation en charge.....	0-550 min ⁻¹	0-795 min ⁻¹	0-2680 min ⁻¹
Ø de perçage dans acier.....	13 mm	10 mm	6 mm
Ø de perçage dans bois tendre.....	38 mm	30 mm	16 mm
Ø de perçage dans aluminium.....	20 mm	13 mm	8 mm
Plage de serrage du mandrin.....	1,5-13 mm	1,0-10 mm	1,0-10 mm
Broche de perçage.....	1/2"x20	1/2"x20	3/8"x24
Poids suivant EPTA-Procédure 01/2014.....	2,0 kg	1,9 kg	1,4 kg

Informations sur le bruit

Valeurs de mesure obtenues conformément à la EN 62841.
Les mesures réelles (A) des niveaux acoustiques de l'appareil sont :

Niveau de pression acoustique (Incertitude K=3dB(A)).....	99 dB (A)	99 dB (A)	99 dB (A)
Niveau d'intensité acoustique (Incertitude K=3dB(A)).....	110 dB (A)	110 dB (A)	110 dB (A)

Toujours porter une protection acoustique!

Informations sur les vibrations

Valeurs totales des vibrations (somme vectorielle de trois sens) établies conformément à EN 62841.

Valeur d'émission vibratoire a _w	5,4 m/s ²	2,7 m/s ²	6,8 m/s ²
Incertitude K=.....	1,5 m/s ²	1,5 m/s ²	1,5 m/s ²

AVERTISSEMENT

Le niveau vibratoire indiqué dans ces instructions a été mesuré selon un procédé de mesure normalisé dans la norme EN 62841 et peut être utilisé pour comparer des outils électriques entre eux. Il convient aussi à une estimation provisoire de la sollicitation par les vibrations.

Le niveau vibratoire indiqué représente les applications principales de l'outil électrique. Toutefois, si l'outil électrique est utilisé pour d'autres applications, avec des outils rapportés qui diffèrent ou une maintenance insuffisante, il se peut que le niveau vibratoire diverge. Cela peut augmenter nettement la sollicitation par les vibrations sur tout l'intervalle de temps du travail.

Pour une estimation précise de la sollicitation par les vibrations, on devrait également tenir compte des temps pendant lesquels l'appareil n'est pas en marche ou tourne sans être réellement en service. Cela peut réduire nettement la sollicitation par les vibrations sur tout l'intervalle de temps du travail.

Définissez des mesures de sécurité supplémentaires pour protéger l'utilisateur contre l'influence des vibrations, comme par exemple : la maintenance de l'outil électrique et des outils rapportés, le maintien au chaud des mains, l'organisation des déroulements de travail.

⚠ AVERTISSEMENT! Lire tous les avertissements de sécurité, les instructions opérationnelles, les illustrations et les spécifications fournies avec cet outil électrique. La non observance des instructions mentionnées ci-dessous peut causer des chocs électriques, des incendies ou de graves blessures. **Conserver tous les avertissements et toutes les instructions pour pouvoir s'y reporter ultérieurement.**

sans être en contact avec la pièce à usiner, ce qui peut entraîner des blessures.

- **Exercez toujours une pression uniquement dans l'orientation directe du foret.** N'appuyez pas trop fort. Les forets peuvent se tordre et se rompre ou entraîner une perte de contrôle de l'appareil, ce qui peut entraîner des blessures.

AVIS COMPLÉMENTAIRES DE SÉCURITÉ ET DE TRAVAIL

Utiliser l'équipement de protection. Toujours porter des lunettes de protection pendant le travail avec la machine. Il est recommandé de porter des articles de protection, tels que masque antipoussière, gants de protection, chaussures tenant bien aux pieds et antidérapantes, casque et protection acoustique.

Les poussières qui sont dégagées pendant les travaux sont souvent nocives pour la santé et ne devraient pas pénétrer dans le corps. Porter un masque de protection approprié contre les poussières.

Il est interdit de travailler des matériaux dangereux pour la santé (par ex. amiante).

Désactiver immédiatement le dispositif en cas de blocage ! Ne pas réactiver le dispositif avec l'outil bloqué; il y a le risque de provoquer un contrecoup avec moment de réaction élevé. Établir et éliminer la cause du blocage de l'outil en prêtant attention aux consignes de sécurité.

Les causes possibles sont :

- Encastrement dans la pièce à travailler.
- Le dispositif a traversé le matériau à travailler en le cassant.
- Le dispositif électrique a été surchargé.

Ne pas approcher les mains de la partie en mouvement de la machine.

Durant l'utilisation, l'outil peut se surchauffer.

AVERTISSEMENT! Danger de brûlures

- durant le remplacement de l'outil
- durant la dépose de l'outil

Ne jamais enlever les copeaux ni les éclats lorsque la machine est en marche.

Le câble d'alimentation doit toujours se trouver en dehors du champ d'action de la machine. Toujours maintenir le câble d'alimentation à l'arrière de la machine.

Lors du perçage dans les murs, les plafonds ou les planchers, toujours faire attention aux câbles électriques et aux conduites de gaz et d'eau.

Fixer fermement la pièce en exécution à l'aide d'un dispositif de serrage. Des pièces en exécution non fermement fixées peuvent provoquer des dommages et des lésions graves.

Avant tous travaux sur la machine extraire la fiche de la prise de courant.

Pour effectuer de grands diamètres de perçage, la poignée supplémentaire doit être montée perpendiculairement à la poignée principale. Voir aussi les figures se trouvant dans le chapitre « Ajustement de la poignée ».

UTILISATION CONFORME AUX PRESCRIPTIONS

La perceuse est conçue pour un travail de perçage dans le bois, le métal et les matières plastiques ainsi que pour des travaux de vissage.

Comme déjà indiqué, cette machine n'est conçue que pour être utilisée conformément aux prescriptions.

DÉCLARATION CE DE CONFORMITÉ

Nous déclarons sous notre seule responsabilité que le produit décrit sous « Caractéristiques techniques » concorde avec toutes les consignes pertinentes de la directive 2011/65 EU (RoHS), 2014/30/UE, 2006/42/CE et les documents normatifs harmonisés suivants :

- EN 62841-1:2015
- EN 62841-2-1:2018+A11:2019
- EN 55014-1:2017+A11:2020
- EN 55014-2:2015
- EN 61000-3-2:2014
- EN 61000-3-3:2013
- EN IEC 63000:2018

Winnenden, 2020-11-05

Alexander Krug

Alexander Krug
Managing Director



Autorisé à compiler la documentation technique.

Techtronik Industries GmbH
Max-Eyth-Straße 10
71364 Winnenden
Germany

BRANCHEMENT SECTEUR

Les prises de courant se trouvant à l'extérieur doivent être équipées de disjoncteurs différentiel (FI, RCD, PRCD) conformément aux prescriptions de mise en place de votre installation électrique. Veuillez en tenir compte lors de l'utilisation de notre appareil.

Raccorder uniquement à un courant électrique monophasé et uniquement à la tension secteur indiquée sur la plaque signalétique. Le raccordement à des prises de courant sans contact de protection est également possible car la classe de protection II est donnée.

Ne relier l'appareil à la prise de courant que lorsqu'il est débranché.

ENTRETIEN

Tenir toujours propres les orifices de ventilation de la machine.

Il est recommandé d'utiliser régulièrement le spray de nettoyage sur les mâchoires et les alésages des mâchoires de serrage.

En cas d'endommagement du câble d'alimentation de l'outil électrique, le câble devra être remplacé par un câble

d'alimentation approprié disponible chez l'organisation d'assistance technique.

N'utiliser que des pièces et accessoires Milwaukee. Pour des pièces dont l'échange n'est pas décrit, s'adresser de préférence aux stations de service après-vente Milwaukee (voir brochure Garantie/Adresses des stations de service après-vente).

Si besoin est, une vue éclatée de l'appareil peut être fournie. S'adresser, en indiquant bien le numéro porté sur la plaque signalétique, à votre station de service après-vente (voir liste jointe) ou directement à Techtronik Industries GmbH, Max-Eyth-Straße 10, 71364 Winnenden, Germany.

SYMBOLS

	ATTENTION! AVERTISSEMENT! DANGER!
	Avant tous travaux sur la machine extraire la fiche de la prise de courant.
	Veuillez lire avec soin le mode d'emploi avant la mise en service
	Accessoires - Ces pièces ne font pas partie de la livraison. Il s'agit là de compléments recommandés pour votre machine et énumérés dans le catalogue des accessoires.
	Les dispositifs électriques ne sont pas à éliminer dans les déchets ménagers. Les dispositifs électriques et électroniques sont à collecter séparément et à remettre à un centre de recyclage en vue de leur élimination dans le respect de l'environnement. S'adresser aux autorités locales ou au détaillant spécialisé en vue de connaître l'emplacement des centres de recyclage et des points de collecte.
	Outil électrique en classe de protection II. Outil électrique équipé d'une protection contre la fulguration électrique qui ne dépend seulement de l'isolation de base mais aussi de l'application d'autres mesures de protection telles qu'une double isolation ou une isolation augmentée. La connexion d'un conducteur de protection n'est pas prédisposée.
	Vitesse de rotation à vide
	Tension (V c.a.)
	Courant alternatif
	Marque de conformité européenne
	Marque de conformité britannique
	Marque de conformité ukrainienne
	Marque de conformité d'Eurasie

DATI TECNICI	TRAPANI ROTATIVI	HDE 13 RQX	HDE 10 RQX	HDE 6 RQ
Numero di serie	3844 92 05...	3845 23 05...	7520 27 05...	000001-999999
Potenza assorbita nominale	950 W	725 W	725 W	000001-999999
Potenza erogata	475 W	362 W	362 W	
Numero di giri a vuoto	0-900 min ⁻¹	0-1200 min ⁻¹	0-4200 min ⁻¹	
Numero di giri a carico, max.	0-550 min ⁻¹	0-795 min ⁻¹	0-2680 min ⁻¹	
Ø Foratura in acciaio	13 mm	10 mm	6 mm	
Ø Foratura in legno tenero	38 mm	30 mm	16 mm	
Ø Foratura alluminio	20 mm	13 mm	8 mm	
Capacità mandrino	1,5-13 mm	1,0-10 mm	1,0-10 mm	
Attacco mandrino	1/2"x20	1/2"x20	3/8"x24	
Peso secondo la procedura EPTA 01/2014	2,0 kg	1,9 kg	1,4 kg	

Informazioni sulla rumorosità

Valori misurati conformemente alla norma EN 62841.

La misurazione A del livello di pressione acustica dell'utensile è di solito di:

Livello di rumorosità (Incertezza della misura K=3dB(A)) 99 dB (A) 99 dB (A) 99 dB (A)
 Potenza della rumorosità (Incertezza della misura K=3dB(A)) 110 dB (A) 110 dB (A) 110 dB (A)

Utilizzare le protezioni per l'udito!

Informazioni sulle vibrazioni

Valori totali delle oscillazioni (somma di vettori in tre direzionmisurati conformemente alla norma EN 62841

Valore di emissione dell'oscillazione a_h 5,4 m/s² 2,7 m/s² 6,8 m/s²
 Incertezza della misura K= 1,5 m/s² 1,5 m/s² 1,5 m/s²

AVVERTENZA

Il livello di vibrazioni indicato nelle presenti istruzioni è stato misurato in conformità con un procedimento di misurazione codificato nella EN 62841 e può essere utilizzato per un confronto tra attrezzi elettrici. Inoltre si può anche utilizzare per una valutazione preliminare della sollecitazione da vibrazioni.

Il livello di vibrazioni indicato rappresenta le applicazioni principali dell'attrezzo elettrico. Se viceversa si utilizza l'attrezzo elettrico per altri scopi, con accessori differenti o con una manutenzione insufficiente, il livello di vibrazioni può risultare diverso. E questo può aumentare decisamente la sollecitazione da vibrazioni lungo l'intero periodo di lavorazione.

Ai fini di una valutazione precisa della sollecitazione da vibrazioni si dovrebbero tenere presente anche i periodi in cui l'apparecchio rimane spento oppure, anche se acceso, non viene effettivamente utilizzato. Ciò può ridurre notevolmente la sollecitazione da vibrazioni lungo l'intero periodo di lavorazione.

Stabilite misure di sicurezza supplementari per la tutela dell'operatore dall'effetto delle vibrazioni, come ad esempio: manutenzione dell'attrezzo elettrico e degli accessori, riscaldamento delle mani, organizzazione dei processi di lavoro.

AVVERTENZA! Leggere tutte le avvertenze di sicurezza, istruzioni operative, illustrazioni e specifiche fornite con questo elettroutensile. Il mancato rispetto delle istruzioni di seguito riportate può causare scosse elettriche, incendi e/o lesioni gravi.

Conservare tutte le avvertenze di pericolo e le istruzioni operative per ogni esigenza futura.

INDICAZIONI DI SICUREZZA PER TRAPANI

- **Utilizzare sempre l'impugnatura laterale.** La perdita di controllo potrebbe causare danneggiamenti all'utilizzatore.
- **Prima di iniziare il lavoro, afferrare bene il dispositivo sull'apposita impugnatura.** Questo dispositivo genera un'alta coppia motrice e se non viene afferrato bene durante l'uso, potreste perderne il controllo e ferirvi.
- **Impugnare l'apparecchio sulle superfici di tenuta isolate mentre si eseguono lavori durante i quali l'utensile da taglio potrebbe entrare in contatto con cavi di corrente o con il proprio cavo d'alimentazione.** L'eventuale contatto dell'utensile da taglio con un cavo sotto tensione potrebbe mettere sotto tensione le parti metalliche dell'apparecchio e provocare una folgorazione.

AVVERTENZE DI SICUREZZA PER L'USO DI PUNTE LUNGHE

- **Non usare mai un numero di giri superiore a quello massimo indicato per la punta da trapano.** Lavorando con un numero di giri superiore, la punta potrebbe piegarsi quando gira senza contatto con il pezzo in lavorazione e potrebbe causare lesioni.
- **Iniziare sempre con un numero di giri basso e con la punta in contatto con il pezzo in lavorazione.** Lavorando con un numero di giri superiore, la punta potrebbe piegarsi quando gira senza contatto con il pezzo in lavorazione e potrebbe causare lesioni.

- **Esercitare pressione soltanto nella stessa direzione della punta e non premere troppo.** Le punte potrebbero piegarsi e rompersi o potrebbero causare la perdita di controllo sul dispositivo, il che a sua volta potrebbe causare lesioni.

ULTERIORI AVVISI DI SICUREZZA E DI LAVORO

Usare dispositivi di protezione. Durante il lavoro con la macchina bisogna sempre portare occhiali di protezione. Si consiglia di indossare indumenti di protezione come maschera antipolvere, guanti di protezione, scarpe antiscivolo robuste, casco e cuffie di protezione acustica.

La polvere che si produce durante il lavoro è spesso dannosa per la salute e non dovrebbe essere aspirata. Portare un'adeguata mascherina protettiva.

E' vietato lavorare materiali che possono costituire pericoli alla salute (ad es. amianto).

Spegnere immediatamente il dispositivo in caso di bloccaggio! Non riaccendere il dispositivo fino a quando l'utensile ad inserto resta bloccato; esiste il rischio di causare un contraccolpo con elevato momento di reazione. Rilevare ed eliminare la causa del bloccaggio dell'utensile ad inserto tenendo conto delle indicazioni di sicurezza.

Le possibili cause sono:

- Incastro nel pezzo in lavorazione
- Il dispositivo ha attraversato il materiale da lavorare rompendolo
- Il dispositivo elettrico è stato sovraccaricato

Non avvicinare le mani alla parte della macchina in movimento.

Durante l'uso l'utensile ad inserto può surriscaldarsi.

AVVERTENZA! Pericolo di ustioni

- durante la sostituzione dell'utensile
- durante il deposito dell'utensile

Non rimuovere trucioli o schegge mentre l'utensile è in funzione.

Tenere sempre lontano il cavo di collegamento dall'area di lavoro dell'attrezzo.

Forando pareti, soffitti o pavimenti, si faccia attenzione ai cavi elettrici e alle condutture dell'acqua e del gas.

Fissare in sicurezza il pezzo in lavorazione con un dispositivo di serraggio. Pezzi in lavorazione che non siano fissati in sicurezza possono causare gravi lesioni e danni.

Prima di effettuare qualsiasi lavoro sulla macchina togliere la spina dalla presa di corrente.

Quando si lavora con punte di grande diametro, l'impugnatura supplementare deve essere ben fissata ad angolo retto con l'impugnatura principale (vedere figura Sezione "Inserire l'impugnatura").

UTILIZZO CONFORME

Il trapano può essere usato per forare legno, metallo e plastica, e come avvitatore.

Utilizzare il prodotto solo per l'uso per cui è previsto.

DICHIARAZIONE DI CONFORMITÀ CE

Dichiaro sotto la nostra esclusiva responsabilità che il prodotto descritto ai "Dati tecnici" corrisponde a tutte le disposizioni delle direttive 2011/65/EU (RoHS), 2014/30/UE, 2006/42/CE e successivi documenti normativi armonizzati:

EN 62841-1:2015
 EN 62841-2-1:2018+A11:2019
 EN 55014-1:2017+A11:2020
 EN 55014-2:2015
 EN 61000-3-2:2014
 EN 61000-3-3:2013
 EN IEC 63000:2018

Winnenden, 2020-11-05

Alexander Krug

Alexander Krug
 Managing Director



Autorizzato alla preparazione della documentazione tecnica

Techtronic Industries GmbH
 Max-Eyth-Straße 10
 71364 Winnenden
 Germany

COLLEGAMENTO ALLA RETE

Gli apparecchi mobili usati all'aperto devono essere collegati interponendo un interruttore di sicurezza (FI, RCD, PRCD) per guasti di corrente.

Connettere solo corrente alternata mono fase e solo al sistema di voltaggio indicato sulla piastra. E' possibile anche connettere la presa senza un contatto di messa a terra così come prevede lo schema conforme alla norme di sicurezza di classe II.

Inserire la spina nella presa di corrente solo ad apparecchio spento

MANUTENZIONE

Tener sempre ben pulite le fessure di ventilazione dell'apparecchio. Si raccomanda un uso regolare di pulitori per le ganasce e le fessure delle ganasce.

In caso di danneggiamento del cavo di alimentazione dell'utensile elettrico, il cavo dovrà essere sostituito con apposito cavo di alimentazione disponibile presso l'organizzazione di assistenza tecnica.

Utilizzare esclusivamente accessori e pezzi di ricambio Milwaukee. L'installazione di pezzi di ricambio non specificamente prescritti dall'Milwaukee va preferibilmente effettuata dal servizio di assistenza clienti Milwaukee (ved. opuscolo Garanzia/Indirizzi Assistenza tecnica).

In caso di mancanza del disegno esploso, può essere richiesto al seguente indirizzo: Techtronic Industries GmbH, Max-Eyth-Straße 10, 71364 Winnenden, Germany.

SIMBOLI	
	ATTENZIONE! AVVERTENZA! PERICOLO!
	Prima di effettuare qualsiasi lavoro sulla macchina togliere la spina dalla presa di corrente.
	Leggere attentamente le istruzioni per l'uso prima di mettere in funzione l'elettroutensile.
	Accessorio - Non incluso nella dotazione standard, disponibile a parte come accessorio.
	I dispositivi elettrici non devono essere smaltiti con i rifiuti domestici. I dispositivi elettrici ed elettronici devono essere raccolti separatamente e devono essere conferiti ad un centro di riciclaggio per lo smaltimento rispettoso dell'ambiente. Chiedere alle autorità locali o al rivenditore specializzato dove si trovano i centri di riciclaggio e i punti di raccolta.
	Utensile elettrico di classe di protezione II. Utensile elettrico sul quale la protezione contro la folgorazione elettrica non dipende soltanto dall'isolamento di base, ma anche dall'applicazione di ulteriori misure di protezione, come il doppio isolamento o l'isolamento maggiorato. Non è predisposto il collegamento di un conduttore di protezione.
	Numero di giri a vuoto
	Volt
	Corrente alternata
	Marchio di conformità europeo
	Marchio di conformità britannico
	Marchio di conformità ucraino
	Marchio di conformità euroasiatico

DATOS TÉCNICOS	TALADRO ROTATIVO	HDE 13 RQX	HDE 10 RQX	HDE 6 RQ
Número de producción	3844 92 05...	3845 23 05...	7520 27 05...	000001-999999
Potencia de salida nominal	950 W	725 W	725 W	362 W
Potencia entregada	475 W	362 W	362 W	362 W
Velocidad en vacío	0-900 min ⁻¹	0-1200 min ⁻¹	0-1200 min ⁻¹	0-4200 min ⁻¹
Velocidades en carga max.	0-550 min ⁻¹	0-795 min ⁻¹	0-795 min ⁻¹	0-2680 min ⁻¹
Diámetro de taladrado en acero	13 mm	10 mm	10 mm	6 mm
Diámetro de taladrado en madera blanda	38 mm	30 mm	30 mm	16 mm
Diámetro de taladrado aluminio	20 mm	13 mm	13 mm	8 mm
Gama de apertura del portabrocas	1,5-13 mm	1,0-10 mm	1,0-10 mm	1,0-10 mm
Eje de accionamiento	1/2"x20	1/2"x20	1/2"x20	3/8"x24
Peso de acuerdo con el procedimiento EPTA 01/2014	2,0 kg	1,9 kg	1,9 kg	1,4 kg

Información sobre ruidos

Determinación de los valores de medición según norma EN 62841.

El nivel de ruido típico del aparato determinado con un filtro A corresponde a:

Presión acústica (Tolerancia K=3dB(A))	99 dB (A)	99 dB (A)	99 dB (A)
Resonancia acústica (Tolerancia K=3dB(A))	110 dB (A)	110 dB (A)	110 dB (A)

Usar protectores auditivos!

Informaciones sobre vibraciones

Nivel total de vibraciones (suma vectorial de tres direcciones) determinado según EN 62841.

Valor de vibraciones generadas a _h	5,4 m/s ²	2,7 m/s ²	6,8 m/s ²
Tolerancia K=	1,5 m/s ²	1,5 m/s ²	1,5 m/s ²

ADVERTENCIA

El nivel vibratorio indicado en estas instrucciones ha sido medido conforme a un método de medición estandarizado en la norma EN 62841, y puede utilizarse para la comparación entre herramientas eléctricas. También es apropiado para una estimación provisional de la carga de vibración.

El nivel vibratorio indicado representa las aplicaciones principales de la herramienta eléctrica. Si, pese a ello, se utiliza la herramienta eléctrica para otras aplicaciones, con útiles adaptables diferentes o con un mantenimiento insuficiente, el nivel vibratorio puede diferir. Esto puede incrementar sensiblemente la carga de vibración durante todo el periodo de trabajo.

Para una estimación exacta de la carga de vibración deberían tenerse en cuenta también los tiempos durante los que el aparato está apagado o, pese a estar en funcionamiento, no está siendo realmente utilizado. Esto puede reducir sustancialmente la carga de vibración durante todo el periodo de trabajo.

Adopte medidas de seguridad adicionales para la protección del operador frente al efecto de las vibraciones, como por ejemplo: mantenimiento de la herramienta eléctrica y de los útiles adaptables, mantener las manos calientes, organización de los procesos de trabajo.

ADVERTENCIA: Lea todas las advertencias de peligro, instrucciones, ilustraciones y especificaciones suministradas con esta herramienta eléctrica. En caso de no atenderse a las instrucciones siguientes, ello puede ocasionar una descarga eléctrica, un incendio y/o lesión grave. Guardar todas las advertencias de peligro e instrucciones para futuras consultas.

INSTRUCCIONES DE SEGURIDAD PARA TALADRADORAS

- ¡Emplear siempre el asidero adicional! La pérdida de control de la herramienta puede causar accidentes
- Antes de comenzar a trabajar, coja el aparato firmemente por la empuñadura prevista para ello. Este aparato genera un elevado par de torsión de salida y si usted no lo agarra bien durante su funcionamiento podría perder el control del mismo y lesionarse.
- Sujete el aparato de las superficies aisladas de agarre al efectuar trabajos en los cuales la perforadora de percusión pueda entrar en contacto con conductores de corriente ocultos o con el propio cable. El contacto de la perforadora de percusión con un conducto con energía aplicada también podrá poner bajo tensión partes metálicas del aparato y causar un choque eléctrico.

INDICACIONES DE SEGURIDAD PARA EL USO DE BROCAS PARA TALADRO LARGAS

- No lo utilice nunca con una velocidad de giro superior a la velocidad de giro máxima indicada para la broca de taladro. A velocidades de giro más elevadas, la broca de taladro se puede doblar cuando esta taladra sin tener contacto con la pieza de trabajo, lo cual puede provocar lesiones.

- Comience siempre con una velocidad de giro baja y siempre que la broca de taladro esté en contacto con la pieza de trabajo. A velocidades de giro más elevadas, la broca de taladro se puede doblar cuando esta taladra sin tener contacto con la pieza de trabajo, lo cual puede provocar lesiones.
- Ejercer siempre presión solo si lo hace en línea directa respecto de la broca de taladro y no apriete demasiado fuertemente. Las brocas de taladro pueden doblarse y romperse o provocar la pérdida de control del aparato, lo cual a su vez puede ocasionar lesiones.

INSTRUCCIONES ADICIONALES DE SEGURIDAD Y LABORALES

Utilice el equipamiento de protección. Mientras trabaja con la máquina lleve siempre gafas protectoras. Se recomienda utilizar ropa de protección como máscara protectora contra el polvo, guantes protectores, calzado resistente y antideslizante, casco y protección para los oídos.

El polvo que se produce durante estos trabajos puede ser nocivo a la salud; es por ello aconsejable que no penetre al cuerpo. Utilice por ello una máscara protectora contra polvo.

No se deben trabajar materiales que conlleven un riesgo para la salud (por ej. amianto).

¡En caso de que se bloquee el útil, el aparato se debe desconectar inmediatamente! No vuelva a conectar el aparato, mientras el útil esté bloqueado; se podría producir un rechazo debido a la reacción de retroceso brusca. Averigüe y elimine la causa del bloqueo del útil, teniendo en cuenta las indicaciones de seguridad.

Causas posibles para ello pueden ser:

- Atascamiento o bloqueo en la pieza de trabajo
- Rotura del material con el que está trabajando
- Sobrecarga de la herramienta eléctrica

No introduzca las manos en la máquina mientras ésta se encuentra en funcionamiento.

El útil se puede calentar durante el uso. **ADVERTENCIA!** Peligro de quemaduras

- en caso de cambiar la herramienta
- en caso de depositar el aparato

Nunca se debe intentar limpiar el polvo o viruta procedente del taladrado con la máquina en funcionamiento.

Mantener siempre el cable separado del radio de acción de la máquina.

Para trabajar en paredes, techo o suelo, tenga cuidado para evitar los cables eléctricos y tuberías de gas o agua.

Fije la pieza de trabajo con un dispositivo de fijación. Las piezas de trabajo no fijadas pueden causar lesiones graves y deterioros.

Desconecte siempre el enchufe antes de llevar a cabo cualquier trabajo en la máquina.

Cuando se trabaje en grandes diámetros, se debe colocar la empuñadura auxiliar en ángulo recto con respecto a la empuñadura principal (ver ilustración, sección (girar la empuñadura'))

APLICACIÓN DE ACUERDO A LA FINALIDAD

La taladradora es utilizable para trabajar en madera, metal y plástico; así como para atornillar.

No utilice este producto para ninguna otra aplicación que no sea su uso normal.

DECLARACION DE CONFORMIDAD CE

Declaramos bajo nuestra responsabilidad que el producto descrito bajo "Datos técnicos" está en conformidad con todas las normas relevantes de la directiva 2011/65/EU (RoHS), 2014/30/UE, 2006/42/CE y con las siguientes normas o documentos normalizados:

EN 62841-1:2015
EN 62841-2-1:2018+A11:2019
EN 55014-1:2017+A11:2020
EN 55014-2:2015
EN 61000-3-2:2014
EN 61000-3-3:2013
EN IEC 63000:2018

Winnenden, 2020-11-05

Alexander Krug

Alexander Krug
Managing Director



Autorizado para la redacción de los documentos técnicos.

Techtronic Industries GmbH
Max-Eyth-Straße 10
71364 Winnenden
Germany

CONEXIÓN ELÉCTRICA

Conecte siempre la máquina a una red protegida por interruptor diferencial y magnetotérmico (FI, RCD, PRCD), para su seguridad personal, según normas establecidas para instalaciones eléctricas de baja tensión.

Conectar solamente a corriente AC monofásica y sólo al voltaje indicado en la placa de características. También es posible la conexión a enchufes sin toma a tierra, dado que es conforme a la Clase de Seguridad II.

Asegurarse que la máquina está desconectada antes de enchufarla.

MANTENIMIENTO

Las ranuras de ventilación de la máquina deben estar despejadas en todo momento.

Se recomienda utilizar regularmente un limpiador para las mordazas de sujeción y los alojamientos de éstas.

Si la línea de conexión de la herramienta eléctrica estuviera dañada, deberá reemplazarse la misma por una línea de alimentación preparada especialmente, la cual puede adquirirse a través de la organización de servicio al cliente.

Solo se deben utilizar accesorios y piezas de repuestos Milwaukee. Piezas cuyo recambio no está descrito en las instrucciones de uso, deben sustituirse en un centro de asistencia técnica Milwaukee (Consulte el folleto Garantía/Direcciones de Centros de Asistencia Técnica).

En caso necesario, puede solicitar un despiece de la herramienta. Por favor indique el número de impreso que hay en la etiqueta y pida el despiece a la siguiente dirección: Techtronic Industries GmbH, Max-Eyth-Straße 10, 71364 Winnenden, Germany.

SÍMBOLOS

	¡ATENCIÓN! ¡ADVERTENCIA! ¡PELIGRO!
	Desconecte siempre el enchufe antes de llevar a cabo cualquier trabajo en la máquina.
	Lea las instrucciones detenidamente antes de conectar la herramienta
	Accesorio - No incluido en el equipo estándar, disponible en la gama de accesorios.
	Los aparatos eléctricos no se deben eliminar junto con la basura doméstica. Los aparatos eléctricos y electrónicos se deben recoger por separado y se deben entregar a una empresa de reciclaje para una eliminación respetuosa con el medio ambiente. Infórmese en las autoridades locales o en su tienda especializada sobre los centros de reciclaje y puntos de recogida.
	Herramienta eléctrica de la clase de protección II. Herramientas eléctricas, en las que la protección contra un choque eléctrico no depende solamente del aislamiento básico sino también de la aplicación de medidas adicionales de protección, como doble aislamiento o aislamiento reforzado. No existe dispositivo para la conexión de un conductor protector.
n_0	Velocidad en vacío
V	Voltios de CA
	Corriente CA
	Marcado de conformidad europeo
	Marcado de conformidad británico
	Marcado de conformidad ucraniano
	Marcado de conformidad euroasiático

CARACTERÍSTICAS TÉCNICAS	BERBEQUIM ROTATIVO	HDE 13 RQX	HDE 10 RQX	HDE 6 RQ
Número de produção.....	3844 92 05.....	3845 23 05.....	7520 27 05.....
	...000001-999999	...000001-999999	...000001-999999
Potência absorvida nominal	950 W	725 W	725 W
Potência de saída.....	475 W	362 W	362 W
Velocidade em vazio.....	0-900 min ⁻¹	0-1200 min ⁻¹	0-4200 min ⁻¹
Velocidade de rotação máxima em carga max.....	0-550 min ⁻¹	0-795 min ⁻¹	0-2680 min ⁻¹
Ø de furo em aço.....	13 mm	10 mm	6 mm
Ø de furo em madeira macia.....	38 mm	30 mm	16 mm
Ø de furo em alumínio.....	20 mm	13 mm	8 mm
Capacidade da bucha.....	1,5-13 mm	1,0-10 mm	1,0-10 mm
Veio da bucha.....	1/2"x20	1/2"x20	3/8"x24
Peso nos termos do procedimento-EPTA 01/2014	2,0 kg	1,9 kg	1,4 kg

Informações sobre ruído

Valores de medida de acordo com EN 62841.

O nível de ruído avaliado A do aparelho é tipicamente:

Nível da pressão de ruído (Incertez K=3dB(A))..... 99 dB (A)..... 99 dB (A)..... 99 dB (A)

Nível da potência de ruído (Incertez K=3dB(A))..... 110 dB (A)..... 110 dB (A)..... 110 dB (A)

Use protectores auriculares!

Informações sobre vibração

Valores totais de vibração (soma dos vectores das três direcções)

determinadas conforme EN 62841.

Valor de emissão de vibração a_v..... 5,4 m/s²..... 2,7 m/s²..... 6,8 m/s²

Incerteza K=..... 1,5 m/s²..... 1,5 m/s²..... 1,5 m/s²

ATENÇÃO

O nível vibratório indicado nestas instruções foi medido em conformidade com um procedimento de medição normalizado na EN 62841 e pode ser utilizado para comparar entre si ferramentas eléctricas. O mesmo é também adequado para avaliar provisoriamente o esforço vibratório.

O nível vibratório indicado representa as principais aplicações da ferramenta eléctrica. Se, no entanto, a ferramenta eléctrica for utilizada para outras aplicações, com outras ferramentas adaptadas ou uma manutenção insuficiente, o nível vibratório poderá divergir. Isto pode aumentar consideravelmente o esforço vibratório ao longo de todo o período do trabalho.

Para uma avaliação exacta do esforço vibratório devem também ser considerados os tempos durante os quais o aparelho está desligado ou está a funcionar, mas não está efectivamente a ser utilizado. Isto pode reduzir consideravelmente o esforço vibratório ao longo de todo o período do trabalho.

Defina medidas de segurança suplementares para proteger o operador do efeito das vibrações, como por exemplo: manutenção da ferramenta eléctrica e das ferramentas adaptadas, manter as mãos quentes, organização das sequências de trabalho.

⚠️ ADVERTÊNCIA Devem ser lidas todas as advertências de segurança, instruções, ilustrações e especificações fornecidas com esta ferramenta eléctrica. O desrespeito das advertências e instruções apresentadas abaixo pode causar choque eléctrico, incêndio e/ou graves lesões. **Guarde bem todas as advertências e instruções para futura referência.**

⚠️ INSTRUÇÕES DE SEGURANÇA PARA BERBEQUINS

- **Utilizar sempre o punho lateral.** A perda de controlo pode causar feridas.
- **Antes de começar o trabalho, segure o aparelho bem no manípulo previsto.** Este aparelho gera um alto torque de acionamento e se não segurá-lo bem durante a operação, poderá perder o controlo e ferir-se.
- **Segure o aparelho nas superfícies de punho isoladas se estiver a executar trabalhos, nos quais a ferramenta de corte pode tocar em linhas eléctricas escondidas ou no próprio cabo.** O contacto da ferramenta de corte com uma linha sob tensão também pode colocar peças metálicas do aparelho sob tensão e levar a um choque eléctrico.

INSTRUÇÕES DE SEGURANÇA PARA O USO DE BROCAS COMPRIDAS

- **Nunca use uma velocidade maior do que a velocidade máxima indicada para a broca.** Em caso de maiores velocidades a broca pode deformar-se ao girar sem contacto com a peça e isso pode causar feridas.
- **Sempre comece com uma velocidade baixa e com a broca em contacto direto com a peça.** Com velocidades mais altas a

broca pode deformar-se ao girar sem contacto com a peça e isso pode causar feridas.

- **Sempre só exerça pressão em direção direta à broca e não aperte demais.** As brocas podem deformar-se e quebrar ou isso pode causar uma perda do controlo sobre o aparelho, o que também pode causar feridas.

INSTRUÇÕES DE SEGURANÇA E TRABALHO SUPLEMENTARES

Utilizar equipamento de protecção. Durante os trabalhos com a máquina, usar sempre óculos de protecção. Vestuário de protecção, bem como máscara de pó, sapatos fechados e antiderrapante, capacete e protecção auditiva são recomendados.

O pó que resulta ao trabalhar pode ser nocivo para a saúde, por isso não devendo penetrar no corpo. Use uma máscara de protecção contra pó apropriada.

Não devem ser processados materiais que representem um perigo para a saúde (p. ex. asbesto).

Desligue o aparelho imediatamente, quando a ferramenta de inserção bloquear! Não ligue o aparelho novamente durante o bloqueio da ferramenta de inserção, pois isso pode levar a um recuo repentino com uma alta força reactiva. Verifique e elimine a causa do bloqueio da ferramenta de inserção, observando as instruções de segurança.

Causas possíveis podem ser:

- Emperramento na peça a trabalhar
- Material a processar rompido
- Sobrecarga da ferramenta eléctrica

Não toque na máquina em operação.

A ferramenta de inserção pode ficar quente durante a operação.

ATENÇÃO! Perigo de queimar-se

- na troca das ferramentas

- ao depositar o aparelho

Não remover aparas ou lascas enquanto a máquina trabalha.

Manter sempre o cabo de ligação fora da zona de acção da máquina.

Ao trabalhar em paredes, tectos e soalhos prestar atenção a que não sejam atingidos cabos eléctricos e canalizações de gás e água.

Fixe a peça a trabalhar com um dispositivo de fixação. Peças a trabalhar não fixadas podem levar a feridas graves e danos sérios.

Antes de efectuar qualquer intervenção na máquina, tirar a ficha da tomada.

No caso de grandes diâmetros de furo, o punho adicional tem que ser fixado perpendicularmente ao punho principal. Ver também na parte de imagens, secção "Rodar punho").

UTILIZAÇÃO AUTORIZADA

O berbequim rotativo serve para perfurar madeira, metal e plástico e para aparafusar/desaparafusar.

Não use este produto de outra maneira sem ser a normal para o qual foi concebido.

DECLARAÇÃO DE CONFORMIDADE CE

Declaramos sob responsabilidade exclusiva, que o produto descrito sob "Dados técnicos" corresponde com todas as disposições relevantes da diretiva 2011/65/EU (RoHS), 2014/30/UE, 2006/42/CE e dos seguintes documentos normativos harmonizados.

EN 62841-1:2015

EN 62841-2-1:2018+A11:2019

EN 55014-1:2017+A11:2020

EN 55014-2:2015

EN 61000-3-2:2014

EN 61000-3-3:2013

EN IEC 63000:2018

Winnenden, 2020-11-05

Alexander Krug

Alexander Krug
Managing Director



Autorizado a reunir a documentação técnica.

Technic Industries GmbH
Max-Eyth-Straße 10
71364 Winnenden
Germany

LIGAÇÃO À REDE

Aparelhos não estacionários, utilizados ao ar livre, devem ser protegidos por um disjuntor de corrente de defeito (FI, RCD, PRCD).

Só conectar à corrente alternada monofásica e só à tensão de rede indicada na placa de potência. A conexão às tomadas de rede sem contacto de segurança também é possível, pois trata-se de uma construção da classe de protecção II.

Ao ligar o aspirador à rede, o interruptor deve encontrar-se na posição de desligado.

MANUTENÇÃO

Manter desobstruídos os rasgos de ventilação na carcaça da máquina.

É recomendável usar regularmente um dispositivo de limpeza. Para as garras de aperto e para as limalhas das mesmas.

Se o condutor de alimentação da ferramenta eléctrica estiver danificado, ele deverá ser substituído por um condutor de alimentação especial que se vende na organização da assistência ao cliente.

Utilizar unicamente acessórios e peças sobressalentes da Milwaukee. Sempre que a substituição de um componente não tenha sido descrita nas instruções, será de toda a conveniência mandar executar esse trabalho a um Serviço de Assistência

Milwaukee (veja o folheto Garantia/Endereços de Serviços de Assistência).

A pedido e mediante indicação da referência que consta da chapa de características da máquina, pode requerer-se um desenho explosivo da ferramenta eléctrica a: Technic Industries GmbH, Max-Eyth-Straße 10, 71364 Winnenden, Germany.

SYMBOLS

	ATENÇÃO! PERIGO!
	Antes de efectuar qualquer intervenção na máquina, tirar a ficha da tomada.
	Leia atentamente o manual de instruções antes de colocar a máquina em funcionamento.
	Acessório - Não incluído no equipamento normal, disponível como acessório.
	Aparelhos eléctricos não devem ser jogados no lixo doméstico. Aparelhos eléctricos e electrónicos devem ser colectados separadamente e entregues a uma empresa de reciclagem para a eliminação correcta. Solicite informações sobre empresas de reciclagem e postos de colecta de lixo das autoridades locais ou do seu vendedor autorizado.
	Ferramenta eléctrica da classe de protecção II. Ferramenta eléctrica, na qual a protecção contra choque eléctrico não só depende do isolamento básico, mas também da aplicação de medidas de protecção suplementares, como isolamento duplo ou reforçado. Não há um dispositivo para a conexão dum condutor de protecção.
n_0	Velocidade em vazio
V	Volts de CA
	Corrente alternada
	Marca de Conformidade Europeia
	Marca de Conformidade Britânica
	Marca de Conformidade Ucraniana
001	
	Marca de Conformidade Eurasiática

TECHNISCHE GEGEVENS BOORMACHINE HDE 13 RQX HDE 10 RQX HDE 6 RQ

Productienummer	3844 92 05... ..3845 23 05... ..7520 27 05...
.....000001-999999
Nominaal afgegeven vermogen.....	950 W
Afgegeven vermogen	475 W
Onbelast toerental	0-900 min ⁻¹
Belast toerental.....	0-550 min ⁻¹
Boor-Ø in staal	13 mm
Boor-Ø in zacht hout	38 mm
Boor-Ø in aluminium	20 mm
Spanwijdte boorhouder.....	1,5-13 mm
Booras	1/2"x20
Gewicht volgens de EPTA-procedure 01/2014	2,0 kg

Geluidsinformatie
 Meetwaarden vastgesteld volgens EN 62841.
 Het kenmerkende A-gewogen geluidsniveau van de machine bedraagt:

Geluidsdruk niveau (Onzekerheid K=3dB(A)).....	99 dB (A)
Geluidsvermogen niveau (Onzekerheid K=3dB(A)).....	110 dB (A)

Drag oorschermers!

Trillingsinformatie
 Totale trillingswaarden (vectorsom van drie richtingebepaald volgens EN 62841.

Trillingsemisiewaarde a _w	5,4 m/s ²
Onzekerheid K=	1,5 m/s ²

WAARSCHUWING
 De in deze aanwijzingen vermelde trillingsdruk is gemeten volgens een in EN 62841 genoemde meetmethode en kan worden gebruikt voor de onderlinge vergelijking van apparaten. Hij is ook geschikt voor een voorlopige inschatting van de trillingsbelasting.
 De aangegeven trillingsdruk geldt voor de meest gebruikelijke toepassingen van het elektrische apparaat. Wanneer het elektrische gereedschap echter voor andere doeleinden, met andere dan de voorgeschreven hulpstukken gebruikt of niet naar behoren onderhouden wordt, kan de trillingsdruk afwijken. Dit kan de waarde van de trillingsdruk over de hele werkperiode aanzienlijk verhogen.
 Voor een nauwkeurige inschatting van de trillingsdruk moeten ook de tijden in aanmerking worden genomen dat het apparaat uitgeschakeld is of weliswaar loopt, maar niet werkelijk in gebruik is. Dit kan de waarde van de trillingsdruk over de hele werkperiode aanzienlijk verminderen.
 Bepaal extra veiligheidsmaatregelen ter bescherming van de bediener tegen de inwerking van trillingen, bijvoorbeeld: onderhoud van elektrische gereedschappen en apparaten, warmhouden van de handen, organisatie van de werkprocessen.

WAARSCHUWING! Lees alle veiligheidswaarschuwingen, voorschriften, afbeeldingen en specificaties voor dit elektrische gereedschap. Als de onderstaande waarschuwingen niet worden opgevolgd, kan dit een elektrische schok, brand of ernstig letsel tot gevolg hebben.
Bewaar alle waarschuwingen en voorschriften voor toekomstig gebruik.

VEILIGHEIDSinSTRUCTIES VOOR BOORMACHINES

- **Altijd de zijhandgreep gebruiken.** Verlies aan controle kan tot persoonlijk letsel leiden.
- **Houd het apparaat vóór begin van de werkzaamheden goed vast aan de daarvoor bestemde handgreep.** Dit apparaat genereert een hoog uitgaand koppel en als u het tijdens het bedrijf niet goed vasthoudt, kunt u wellicht de controle over het apparaat verliezen en gewond raken.
- **Houd het apparaat alléén aan de geïsoleerde grijpvlakken vast, wanneer u werkzaamheden uitvoert waarbij het snijgereedschap verborgen stroomleidingen of de eigen apparaatkabel zou kunnen raken.** Het contact van het snijgereedschap met een spanningvoerende leiding kan de metalen apparaatdelen onder spanning zetten en zo tot een elektrische schok leiden.

VEILIGHEIDSinSTRUCTIES VOOR HET GEBRUIK VAN LANGE BOORGEREEDSCHAPPEN

- **Gebruik nooit een hoger toerental dan het maximale toerental dat voor de boor is aangegeven.** Bij hogere toerentalen kan de boor verbuigen als hij draait zonder contact te maken met het werkstuk, hetgeen kan leiden tot persoonlijk letsel.
- **Start het apparaat altijd met een lager toerental en alleen als de boor contact maakt met het werkstuk.** Bij hogere toerentalen kan de boor verbuigen als hij draait zonder contact

te maken met het werkstuk, hetgeen kan leiden tot persoonlijk letsel.
 • **Oefen alleen in een directe lijn druk uit op de boor en druk niet te hard tijdens het boren.** Door te hoge druk kunnen boren verbuigen en breken of kunt u de controle over het apparaat verliezen, hetgeen wederom kan leiden tot persoonlijk letsel.

VERDERE VEILIGHEIDS- EN WERKINSTRUCTIES

Drag veiligheidsuitrusting. Bij werkzaamheden met de machine dient u altijd een veiligheidsbril te dragen. Veiligheidskleding zoals stofmasker, veiligheidshandschoenen, stevig en slipvast schoeisel, helm en gehoorbescherming worden aanbevolen.
 Het gedurende het werken vrijkomende stof is doorgaans schadelijk voor de gezondheid en mag niet met het lichaam in aanraking komen. Draag derhalve een geschikt stofbeschermingsmasker.
 Het is niet toegestaan, materialen te bewerken waarvan een gezondheidsgevaar uitgaat (bijv. asbest).
 Schakel het apparaat onmiddellijk uit als het gereedschap blokkeert! Schakel het apparaat niet in zolang het gereedschap geblokkeerd is; dit zou een terugslag met een hoog reactiemoment kunnen veroorzaken. Achterhaal en verhelp de oorzaak voor de blokkering van het gereedschap met inachtname van de veiligheidsinstructies.

Mogelijke oorzaken voor de blokkering:
 • kantelen in het te bewerken werkstuk
 • doorbreken van het te bewerken materiaal
 • overbelasting van het elektrische gereedschap
 Grijp niet in de lopende machine.
 Het gereedschap kan heet worden tijdens het gebruik.
WAARSCHUWING! Gevaar voor verbranding
 • bij het vervangen van het gereedschap
 • bij het neerleggen van het apparaat

Spanen of splinters mogen bij draaiende machine niet worden verwijderd.
 Snoer altijd buiten werkbereik van de machine houden.
 Bij het werken in wanden, plafonds of vloeren oppassen voor elektriciteitsdraden, gas- of waterleidingen.
 Borg uw werkstuk met behulp van een spaninrichting. Niet geborgde werkstukken kunnen ernstig letsel en grote schade veroorzaken.
 Voor alle werkzaamheden aan de machine de stekker uit de contactdoos trekken.
 Bij werken met grote boordiameters dient de extra handgreep in een rechte hoek met de hoofdhandgreep te worden bevestigd (zie tevens illustraties, sectie "Handgreep verdraaien").

VOORGESCHREVEN GEBRUIK VAN HET SYSTEEM

De boormachine kan worden gebruikt voor zowel boren in hout, metaal en kunststof als voor schroeven.
 Dit apparaat uitsluitend gebruiken voor normaal gebruik, zoals aangegeven.

EC - VERKLARING VAN OVEREENSTEMMING

Wij verklaren in uitsluitende verantwoording dat het onder 'Technische gegevens' beschreven product overeenstemt met alle relevante voorschriften van de richtlijn 2011/65/EU (RoHS), 2014/30/EU, 2006/42/EG en de volgende geharmoniseerde normatieve documenten:
 EN 62841-1:2015
 EN 62841-2-1:2018+A11:2019
 EN 55014-1:2017+A11:2020
 EN 55014-2:2015
 EN 61000-3-2:2014
 EN 61000-3-3:2013
 EN IEC 63000:2018

Winnenden, 2020-11-05

 Alexander Krug
 Managing Director
 Gemachtigd voor samenstelling van de technische documenten
 Techtronic Industries GmbH
 Max-Eyth-Straße 10
 71364 Winnenden
 Germany














NETAANSLUITING

Verplaatsbaar gereedschap moet bij het gebruik buiten aan een aardlekschakelaar (FI,RCD,PRCD) aangesloten worden.
 Uitsluitend op éénfase-wisselstroom en uitsluitend op de op het typeplaatje aangegeven netspanning aansluiten. Aansluiting is ook mogelijk op een stekerdoos zonder aardcontact mogelijk, omdat het is ontwerpen volgens veiligheidsklasse II.
 Machine alleen uitgeschakeld aan de stekkerdoos aansluiten.

ONDERHOUD

Altijd de luchtspleten van de machine schoonhouden.
 Regelmatige toepassing van reinigingsspray op de spanbekken en spanbekkenboringen wordt aanbevolen.
 Als de aansluitleiding van het elektrische gereedschap beschadigd is, moet deze worden vervangen door een speciaal voorbereide aansluitleiding die verkrijgbaar is via de klantenservice-organisatie.
 Alleen Milwaukee toebehoren en onderdelen gebruiken.
 Onderdelen welke niet vermeld worden, kunnen het beste door de Milwaukee servicedienst verwisseld worden (zie Serviceadressen).
 Onder vermelding van het nummer op het machineplaatje is desgewenst een doorsnedetekening van de machine verkrijgbaar bij: Techtronic Industries GmbH, Max-Eyth-Straße 10, 71364 Winnenden, Germany.

SYMBOLEN

	OPGELET! WAARSCHUWING! GEVAAR!
	Voor alle werkzaamheden aan de machine de stekker uit de contactdoos trekken.
	Graag instructies zorgvuldig doorlezen vóóordat u de machine in gebruik neemt.
	Toebehoren - Wordt niet meegeleverd. Is apart leverbaar. Zie hiervoor het toebehorenprogramma.
	Elektrische apparaten mogen niet via het huisafval worden afgevoerd. Elektrische en elektronische apparaten moeten gescheiden worden verzameld en voor een milieuvriendelijke afvoer worden afgegeven bij een recyclingbedrijf. Informeer bij uw gemeente of bij uw vakhandelaar naar recyclingbedrijven en inzamelpunten.
	Elektrisch gereedschap van de beschermingsklasse II. Elektrisch gereedschap waarbij de bescherming tegen elektrische schokken niet afhankelijk is van de basisisolatie, maar waarin ook extra veiligheidsmaatregelen worden toegepast zoals dubbele of versterkte isolatie. Er is geen voorziening voor de aansluiting van een aardleiding.
	Onbelast toerental
	V ~
	Wisselstroom
	Europees symbool van overeenstemming
	Brits symbool van overeenstemming
	Oekraïens symbool van overeenstemming
	Euro-Aziatisch symbool van overeenstemming

TEKNISKE DATA	BOREMASKINE	HDE 13 RQX	HDE 10 RQX	HDE 6 RQ
Produktionsnummer	3844 92 05...	3845 23 05...	7520 27 05...	
	...000001-999999	...000001-999999	...000001-999999	
Nominal optagen effekt.....	950 W	725 W	725 W	
Afgiven effekt.....	475 W	362 W	362 W	
Omdrejningstal, ubelastet.....	0-900 min ⁻¹	0-1200 min ⁻¹	0-4200 min ⁻¹	
Omdrejningstal max., belastet.....	0-550 min ⁻¹	0-795 min ⁻¹	0-2680 min ⁻¹	
Bor-Ø i stål.....	13 mm.....	10 mm.....	6 mm	
Bor-Ø i mykt træ.....	38 mm.....	30 mm.....	16 mm	
Bor-Ø i aluminium.....	20 mm.....	13 mm.....	8 mm	
Borepatronspændevide.....	1,5-13 mm.....	1,0-10 mm.....	1,0-10 mm	
Borespindel.....	1/2"x20.....	1/2"x20.....	3/8"x24	
Vægt svarer til EPTA-procedure 01/2014.....	2,0 kg.....	1,9 kg.....	1,4 kg	

Støjinformation

Måleværdier beregnes iht. EN 62841.

Værktøjets A-vurderede støjniveau er typisk:

Lydtrykniveau (Usikkerhed K=3dB(A))..... 99 dB (A)..... 99 dB (A)..... 99 dB (A)

Lydeffekt niveau (Usikkerhed K=3dB(A))..... 110 dB (A)..... 110 dB (A)..... 110 dB (A)

Brug høreværn!

Vibrationsinformation

Samlede vibrationsværdier (værdisum for tre retninger) beregnet

iht. EN 62841.

Vibrationsseksponering a_w..... 5,4 m/s²..... 2,7 m/s²..... 6,8 m/s²

Usikkerhed K=..... 1,5 m/s²..... 1,5 m/s²..... 1,5 m/s²

ADVARSEL

Svingningsniveauet, som er angivet i disse anvisninger, er målt i henhold til standardiseret måleprocedure ifølge EN 62841 og kan anvendes til indbyrdes sammenligning mellem el-værktøjer. Svingningsniveauet er ligeledes egnet som foreløbigt skøn over svingningsbelastningen.

Det angivne svingningsniveau er baseret på el-værktøjets primære anvendelsesformål. Hvis el-værktøjet benyttes til andre formål, med andet indsatsværktøj eller ikke vedligeholdelse tilstrækkeligt, kan svingningsniveauet afvige. Dette kan øge svingningsbelastningen over den samlede arbejdsperiode betydeligt.

For en nøjagtig vurdering af svingningsbelastningen skal der også tages højde for de tidsperioder, hvor apparatet er slukket, eller hvor apparatet kører, men uden at være i anvendelse. Dette kan reducere svingningsbelastningen over den samlede arbejdsperiode betydeligt.

Supplerende sikkerhedsforanstaltninger til beskyttelse af brugeren mod påvirkninger fra svingninger skal iværksættes, f.eks.:

Vedligeholdelse af el-værktøj og indsatsværktøj, varmholdelse af hænder, organisering af arbejdsprocesser.

ADVARSEL Læs alle advarselsinformationer, anvisninger, figurer og specifikationer, som følger med dette el-værktøj. En manglende overholdelse af alle nedenstående anvisninger kan medføre elektrisk stød, brand og/eller alvorlige kvæstelser. **Opbevar alle advarselshenvisninger og instrukser til senere brug.**

SIKKERHEDSANVISNINGER FOR ARBEJDE MED BOREMASKINER

- **Brug altid støttegrebet.** Hvis kontrollen mistes, kan det medføre personskade.
- **Hold godt fast i det dertil indrettede greb, inden du påbegynder arbejdet.** Dette værktøj producerer et stort drejningsmoment, og hvis du ikke holder godt fast i værktøjet under arbejdet, er der risiko for at miste kontrollen over værktøjet og komme til skade.
- **Hold maskinen fast i de isolerede gribeblader, når du udfører arbejde, hvor der er risiko for, at skæreværktøjet kan ramme skjulte strømledninger eller værktøjets egen ledning.** Kommer skæreværktøjet i kontakt med en strømførende ledning, kan maskinens metaldele komme under spænding og give elektrisk stød.

SIKKERHEDSOPLYSNINGER VEDRØRENDE BRUG AF LANGE BOR

- **Brug aldrig en højere omdrejningshastighed end den omdrejningshastighed, som er angivet som den maksimale for borepatronen.** Ved højere hastigheder er der risiko for, at borepatronen bøjer, hvis den får lov til at dreje uden at have kontakt til arbejdsemnet, hvilket kan forårsage personskade.
- **Start altid med en lav omdrejningshastighed, mens borepatronen får kontakt med arbejdsemnet.** Ved højere hastigheder er der risiko for, at borepatronen bøjer, hvis den får lov til at dreje uden at have kontakt til arbejdsemnet, hvilket kan forårsage personskade.

- **Læg altid kun pres på i lige linje til borepatronen og pres ikke for hårdt.** Borepatroner kan bøje og brække af eller medføre tab af kontrol over værktøjet, hvilket kan forårsage personskade.

YDERLIGERE SIKKERHEDS- OG ARBEJDSINFORMATIONER

Arbejder med maskinen. Vi anbefaler desuden brug af personlig beskyttelsesudrustning, såsom støvmaske, sikkerhedshandsker, fast og skridsikkert skotøj, hjelm og høreværn.

Støv, som opstår under arbejdet, er ofte sundhedsfarligt og bør ikke trænge ind i kroppen. Benyt egnet åndedrætsværn.

Der må ikke bearbejdes nogen materialer, der kan udgøre en sundhedsrisiko (f.eks. asbest).

Sluk straks for maskinen, hvis indsatsværktøjet er blokeret! Tænd ikke for maskinen igen, så længe indsatsværktøjet er blokeret; dette kan føre til et tilbageslag med højt reaktionsmoment. Find frem til og afhjælp årsagen til indsatsværktøjets blokering under hensyntagen til sikkerhedsinstruktionerne.

Mulige årsager hertil kan være:

- at det sidder i klemme i emnet der bearbejdes
- at det har brækket materialet der bearbejdes
- at el-værktøjet er overbelastet

Grib ikke ind i maskinen, når den kører.

Indsatsværktøjet kan blive varmt under brugen.

ADVARSEL! Fare for forbrændinger

- ved værktøjsskift
- når man lægger maskinen fra sig

Spåner eller splinter må ikke fjernes, medens maskinen kører.

Tilslutningskablet holdes hele tiden væk fra maskinens arbejdsområde. Kablet ledes altid bort bag om maskinen.

Ved arbejdsboring i væg, loft eller gulv skal man passe på elektriske kabler, gas- og vandledninger.

Sørg for at sikre dit emne med en spændeandordning. Ikke sikrede emner kan forårsage alvorlige kvæstelser og beskadigelser.

Før ethvert arbejde ved maskinen skal stikket tages ud af stikdåsen.

Ved store borediametre skal ekstrahåndtaget fastgøres i en ret vinkel til hovedhåndtaget. Se også i billeddelen, afsnit "Håndtag drejes".

TILTÆNKT FORMÅL

Boremaskinen kan anvendes til boreopgaver i træ, metal og kunststof, samt til skrueopgaver.

Produktet må ikke anvendes på anden måde og til andre formål end foreskrevet.

CE-KONFORMITETSERKLÆRING

Vi erklærer som eneansvarlig, at det under "Tekniske data" beskrevne produkt stemmer overens med alle relevante forskrifter, der følger af direktiv 2011/65/EU (RoHS), 2014/30/EU, 2006/42/EF samt af følgende harmoniserede normative dokumenter:

EN 62841-1:2015
EN 62841-2-1:2018+A11:2019
EN 55014-1:2017+A11:2020
EN 55014-2:2015
EN 61000-3-2:2014
EN 61000-3-3:2013
EN IEC 63000:2018

Winnenden, 2020-11-05

Alexander Krug
Managing Director



Autoriseret til at udarbejde de tekniske dokumenter.

Techtronic Industries GmbH
Max-Eyth-Straße 10
71364 Winnenden
Germany

NETTILSLUTNING

Stikdåser udendørs skal være forsynet med fejlstrømssikringskontakter (FI, RCD, PRCD). Det forlanger installationsforskriften for Deres elektroanlæg. Overhold dette, når De bruger vores maskiner.

Tilslutning må kun foretages til enfaset vekselstrøm og kun til en netspænding, som er i overensstemmelse med angivelsen på mærkepladen. Tilslutning kan også ske til stikdåser uden beskyttelseskontakt, da kapslingsklasse II foreligger.

Tilslut kun maskine til stikdåsen i slukket tilstand.

VEDLIGEHOLDELSE

Hold altid maskinens ventilationsåbninger rene.

Det anbefales at benytte rengøringsmiddel jævnlige ved spændekæberne og spændekæbehullerne.

Hvis elværktøjets tilslutningsledning er beskadiget, skal den erstattes med en specielt forberedt tilslutningsledning, der kan fås via kundeservicens organisation.

Brug kun Milwaukee tilbehør og reservedele. Lad de komponenter, hvis udskiftning ikke er blevet beskrevet, udskifte hos Atlas Copco service (se kundeserviceadresser).

Ved opgivelse af type nr. der er angivet på maskinens effektskilt, kan de rekvirere en reservedelstegning, ved henvendelse til:

Techtronic Industries GmbH, Max-Eyth-Straße 10,
71364 Winnenden, Germany.

SYMBOLER	
	VIGTIGT! ADVARSEL! FARE!
	Før ethvert arbejde ved maskinen skal stikket tages ud af stikdåsen.
	Læs brugsanvisningen nøje før ibrugtagning.
	Tilbehør - Ikke inkluderet i leveringsomfanget, køb købes som tilbehør.
	Elektrisk udstyr må ikke bortskaffes sammen med det almindelige husholdningsaffald. Elektrisk og elektronisk udstyr skal indsamles særskilt og afleveres hos en genbrugsvirksomhed til en miljømæssig forsvarlig bortskaffelse. Spørg de lokale myndigheder eller din forhandler om genbrugsstationer og indsamlingssteder til sådant affald.
	Kapslingsklasse II elværktøj. Elværktøj, hvor beskyttelsen mod et elektrisk stød ikke kun afhænger af basisisoleringen men også af, at der anvendes yderligere beskyttelsesforanstaltninger som dobbelt isolering eller forstærket isolering. Der findes ikke udstyr til tilslutning af en beskyttelsesleder.
n_p	Omdrejningstal, ubelastet
V	Veksel-spænding
	Vekselstrøm
	Europæisk konformitetsmærke
	Britisk konformitetsmærke
	Ukrainsk konformitetsmærke
	Eurasisk konformitetsmærke

TEKNISKE DATA	BORMASKIN	HDE 13 RQX	HDE 10 RQX	HDE 6 RQ
Produksjonsnummer.....	3844 92 05.....	3845 23 05.....	7520 27 05.....
	...000001-999999	...000001-999999	...000001-999999
Nominell inngangseffekt.....	950 W	725 W	725 W
Avgitt effekt.....	475 W	362 W	362 W
Tomgangsturtall.....	0-900 min ⁻¹	0-1200 min ⁻¹	0-4200 min ⁻¹
Lastturtall maks.....	0-550 min ⁻¹	0-795 min ⁻¹	0-2680 min ⁻¹
Bor-ø i stål.....	13 mm.....	10 mm.....	6 mm.....
Bor-ø i mykt treverk.....	38 mm.....	30 mm.....	16 mm.....
Bor-ø i aluminium.....	20 mm.....	13 mm.....	8 mm.....
Chuckspennområde.....	1,5-13 mm.....	1,0-10 mm.....	1,0-10 mm.....
Borspindel.....	1/2"x20.....	1/2"x20.....	3/8"x24.....
Vekt i henhold til EPTA-Prosedyren 01/2014.....	2,0 kg.....	1,9 kg.....	1,4 kg.....

Støyinformasjon

Måleverdier fastslått i samsvar med EN 62841.

Det typiske A-bedømte støynivået for maskinen er:

Lydtryknivå (Usikkerhet K=3dB(A))..... 99 dB (A)..... 99 dB (A)..... 99 dB (A)

Lydeffektnivå (Usikkerhet K=3dB(A))..... 110 dB (A)..... 110 dB (A)..... 110 dB (A)

Bruk hørselsvern!

Vibrasjonsinformasjoner

Totale svingningsverdier (vektorsum fra tre retninger) beregnet jf.

EN 62841.

Svingningsemisjonsverdi a_w..... 5,4 m/s²..... 2,7 m/s²..... 6,8 m/s²

Usikkerhet K=..... 1,5 m/s²..... 1,5 m/s²..... 1,5 m/s²

ADVARSEL

Svingningsnivået som er angitt i denne instruksjonen er målt i overensstemmelse med målemetoden normert i direktiv EN 62841 og kan brukes til å sammenligne elektromaskiner med hverandre. Den egner seg også for en foreløbig vurdering av svingningsbelastningen.

Det angitte svingningsnivået representerer de hovedsaklige bruk av elektroverktøyet. Men anvendes elektroverktøyet for andre bruk med avvikende utskiftbare verktøy eller vedlikeholdet er utilstrekkelig, kan svingningsnivået være avvikende.

Dette kan forhøye svingningsbelastning betydelig over hele arbeidsperioden. For en nøyaktig vurdering av svingningsbelastningen må også det tas hensyn til tiden apparatet er avslått eller står på, men ikke er i bruk. Dette kan redusere svingningsbelastningen betydelig over hele arbeidsperioden.

Innfør også ekstra sikkerhetstiltak å beskytte bruker mot utvirkingen av svingningene. Disse kan f.eks. være: vedlikehold av elektroverktøyet og det utskiftbare verktøyet, holde hendene varme, organisasjon av arbeidsforløpet.

ADVARSEL! Les gjennom alle sikkerhets advarsler, anvisninger, illustrasjoner og spesifikasjoner for dette elektroverktøyet. Feil ved overholdelsen av advarslene og nedenstående anvisninger kan medføre elektriske støt, brann og/eller alvorlige skader.

Ta godt vare på alle advarslene og informasjonene.

SIKKERHETSINSTRUKSER FOR BOREMASKINER

- **Bruk alltid ekstrahåndtaket.** Tap av kontrollen kan føre til skader.
- **Hold apparatet godt fast i det tilhørende håndtaket før arbeidet begynner.** Dette apparatet genererer et høyt utgangs-dreiemoment, og dersom du ikke holder det godt fast under arbeidet, kan du miste kontrollen over det og skade deg.
- **Hold apparatet i de isolerte holdeflatene, når det arbeides på steder hvor elektroverktøyet kan treffe skjulte strømledninger eller verktøyet egen kabel.** Kontakt med en ledning som er under spenning, kan også sette metalldelel til apparatet under spenning og føre til et elektrisk slag.

SIKKERHETSINSTRUKSER TIL BRUK AV LANGE BORCHUCKS

- **Bruk aldri et høyere turtall enn maksimalt turtall som er angitt for borekronen.** Ved høyere turtall kan borekronen bli bøyd når den roterer uten kontakt med arbeidsstykket, noe som igjen kan føre til personskade.
- **Start alltid med et lavt turtall og mens borekronen er i kontakt med arbeidsstykket.** Ved høyere turtall kan borekronen bli bøyd når den roterer uten kontakt med arbeidsstykket, noe som igjen kan føre til personskade.
- **Utøv trykk bare i direkte posisjon mot borekronen, og ikke trykk for hardt.** Borekroner kan bøye seg og brette, og dette

kan igjen føre til at du mister kontrollen over apparatet, slik at det kan oppstå personskade.

YTTERLIGE SIKKERHETS- OG ARBEIDSinSTRUKSJONER

Bruk vernebekledning. Ta alltid på vernebrille ved bruk av maskinen. Vernebekledning så vel som støvmaske, vernehansker, fast og sklissikkert skotøy, hjem og hørselsvern er anbefalt.

Støvet som oppstår ved arbeidet er ofte helsefarlig og skal ikke komme i kontakt med kroppen. Bruk derfor vernemaske som er egnet for støv.

Materialer som er helsefarlig skal ikke bearbeides (f.eks.. asbest)

Slå av apparatet med en gang dersom det isatte verktøyet er blokkert! Ikke slå apparatet på igjen så lenge det isatte verktøyet er blokkert; her kan det oppstå et tilbakeslag med høyt reaksjonsmoment. Finn ut hvorfor det isatte verktøyet blokkerer og fjern årsaken til dette. Ta herved hensyn til sikkerhets instruksene.

Mulige årsaker til dette kan være:

- det har forkantet seg i arbeidsemnet som bearbeides
- det har brekt igjennom materialet som bearbeides
- elektroverktøyet er overbelastet

Ikke grip inn i maskinen når den står på og går.

Isatt verktøy kan i bruk bli veldig varmt.

ADVARSEL! Fare for forbrenning

- ved skifting av verktøy
- når apparatet legges ned

Spon eller fliser må ikke fjernes mens maskinen er i gang.

Hold ledningen alltid vekk fra maskinens virkeområde. Fø ledningen alltid bakover fra maskinen.

Pass på kabler, gass- og vannledninger når du arbeider i vegger, tak eller gulv.

Klem fast arbeidsemnet med en spenninnretning. Ikke sikre arbeidsemner kan ha alvorlige helseskader og skader av material til følge.

Trekk støpslet ut av stikkkontakten før du begynner arbeider på maskinen.

Ved store borediametere må ekstrahåndtaket være festet i rett vinkel til hovedhåndtaket. Se også bildedelen, avsnitt "Vri håndtaket".

FORMÅLMESSIG BRUK

Boremaskinen kan brukes til boring i treverk, metall og plast og til skruing.

Dette apparatet må kun brukes til de oppgitte formål.

CE-SAMSVARSEKLERING

Vi erklærer i alene ansvar at produktet beskrevet i "Teknisk data" overensstemmer med alle relevante forskrifter til Eu direktiv 2011/65/EU (RoHS), 2014/30/EU, 2006/42/EF og de følgende harmoniserte normative dokumentene.

EN 62841-1:2015

EN 62841-2-1:2018+A11:2019

EN 55014-1:2017+A11:2020

EN 55014-2:2015

EN 61000-3-2:2014

EN 61000-3-3:2013

EN IEC 63000:2018

Winnenden, 2020-11-05

Alexander Krug

Alexander Krug
Managing Director



Autorisert til å utarbeide den tekniske dokumentasjonen

Techtronic Industries GmbH

Max-Eyth-Straße 10

71364 Winnenden

Germany

NETTILKOPLING

Stikkontakter utendørs må være utstyrt med feilstrøm-sikkerhetsbryter (FI, RCD, PRCD). Dette forlanges av installasjonsforskriften for elektroanlegg. Vennligst følg dette når du bruker vårt apparat.

Skal bare tilsluttes enfasevekselstrøm og bare til den på skiltet angitte nettspenning. Tilslutning til stikkontakter uten jordet kontakt er mulig fordi beskyttelse beskyttelsesklasse II er forhanden.

Påse at maskinen er slått av når du setter inn nettstøpslet i stikkkontakten.

VEDLIKEHOLD

Hold alltid lufteåpningene på maskinen rene.

Regelmessig bruk av rengjøringspray på spennkjevene og spennkjev hullene anbefales.

Er tilkoblingsledningen til elektroverktøyet skadet, må den skiftes ut med en spesielt laget tilkoblingsledning som er å få hos kundeservice organisasjonen.

Bruk kun Milwaukee tilbehør og reservedeler. Komponenter der utskifting ikke er beskrevet skal skiftes ut hos Milwaukee kundeservice (se brosjyre garanti/kundeserviceadresser).

Ved behov kan du be om en eksplosjonstegning av apparatet hos din kundeservice eller direkte hos Techtronic Industries GmbH, Max-Eyth-Straße 10, 71364 Winnenden, Germany. Oppgi maskintype og det nummeret på typeskiltet.

SYMBOLER



OBS! ADVARSEL! FARE!



Trekk støpslet ut av stikkkontakten før du begynner arbeider på maskinen.



Les nøye gjennom bruksanvisningen før maskinen tas i bruk.



Tilbehør - inngår ikke i leveransen, anbefalt komplettering fra tilbehørsprogrammet.



Elektriske apparat skal ikke kastes sammen med vanlig husholdningsavfall. Elektriske og elektroniske apparat skal samles separat og leveres til miljøvennlig deponering til en avfall bedrift. Informer deg hos myndighetene på stedet eller hos din fagforhandler hvor det finnes recycling bedrifter oppsamlingssteder.



Elektroverktøy av verneklasse II. Elektroverktøy hvor beskyttelse mot elektrisk slag ikke bare er avhengig av basisisoleringen, men som også er avhengig av at tilleggs vernetiltak som dobbelt eller forsterket isolering blir brukt. Det finnes ingen innretning for tilkobling av en beskyttelsesleder.



n₀ Tomgangsturtall



V Volt



~ Vekselstrøm



Europeisk samsvarsmerke



Britisk samsvarsmerke



Ukrainsk samsvarsmerke



Euroasiatisk samsvarsmerke

TEKNISKA DATA	BORRMASKIN	HDE 13 RQX	HDE 10 RQX	HDE 6 RQ
Produktionsnummer	3844 92 05...	3845 23 05...	7520 27 05...	
	...000001-999999	...000001-999999	...000001-999999	
Nominell upptagen effekt	950 W	725 W	725 W	
Utteffekt	475 W	362 W	362 W	
Tomgångsvarvtal, obelastad	0-900 min ⁻¹	0-1200 min ⁻¹	0-4200 min ⁻¹	
Belastat varvtal	0-550 min ⁻¹	0-795 min ⁻¹	0-2680 min ⁻¹	
Borddiam. in stål	13 mm	10 mm	6 mm	
Borddiam. in mjukt trä	38 mm	30 mm	16 mm	
Borddiam. in aluminium	20 mm	13 mm	8 mm	
Chuckens spännområde	1,5-13 mm	1,0-10 mm	1,0-10 mm	
Borrspindel	1/2"x20	1/2"x20	3/8"x24	
Vikt enligt EPTA 01/2014	2,0 kg	1,9 kg	1,4 kg	

Bullerinformation

Mätvärdena har tagits fram baserade på EN 62841.

A-värdet av maskinens ljudnivå utgör:

Ljudtrycksnivå (Onoggrannhet K=3dB(A)) 99 dB (A) 99 dB (A) 99 dB (A)

Ljudeffektsnivå (Onoggrannhet K=3dB(A)) 110 dB (A) 110 dB (A) 110 dB (A)

Använd hörselskydd!

Vibrationsinformation

Totala vibrationsvärden (vektorsumma ur tre riktningar) framtaget enligt EN 62841.

Vibrationsemissionsvärde a_h 5,4 m/s² 2,7 m/s² 6,8 m/s²

Onoggrannhet K= 1,5 m/s² 1,5 m/s² 1,5 m/s²

VARNING

Den i de här anvisningarna angivna vibrationsnivån har uppmätts enligt ett i EN 62841 normerat mätförfarande och kan användas vid jämförelse mellan olika elverktyg. Nivån är även lämplig att använda vid en preliminär bedömning av vibrationsbelastningen.

Den angivna vibrationsnivån representerar den huvudsakliga användningen av det aktuella elverktyget. Men om elverktyget ska användas i andra användningsområden, tillsammans med avvikande insatsverktyg eller efter otillräckligt underhåll, kan vibrationsnivån skilja sig. Det kan öka vibrationsbelastningen betydligt under hela arbetstiden.

För att få en exaktare bedömning av vibrationsbelastningen ska även den tid beaktas, under vilken elverktyget är avstängt eller är påslaget, utan att det verkligen används. Det kan reducera vibrationsbelastningen betydligt under hela arbetstiden.

Lägg som skydd för användaren fast extra säkerhetsåtgärder mot vibrationernas verkan, som till exempel: underhåll av elverktyg och insatsverktyg, varmhållning av händer och organisering av arbetsförlöpp.

⚠️ WARNING! Läs noga igenom alla säkerhetsanvisningar, illustrationer och specifikationer som medföljer detta elverktyg. Fel som uppstår till följd av att anvisningarna nedan inte följts kan orsaka elstöt, brand och/eller allvarliga kroppsskador. **Förvara alla varningar och anvisningar för framtida bruk.**

⚠️ SÄKERHETSINSTRUKTIONER FÖR BORRMASKINER

- **Använd alltid stödhandtag.** Förlust av kontrollen kan leda till personskador.
- **Håll innan arbetet påbörjas fast apparaten ordentligt i det därför avsedda handtaget.** Den här apparaten genererar ett högt vridmoment och om du inte håller fast den ordentligt under användningen kan du förlora kontrollen över den och skada dig.
- **Håll fast apparaten med hjälp av de isolerade greppytorna när du utför arbeten där arbetsverktyget skulle kunna träffa på dolda elledningar eller kablar.** Om man kommer i kontakt med en spänningsförande ledning, så kan även de delar på verktyget som är av metall bli spänningsförande och leda till att man får en elektrisk stöt.

SÄKERHETSANVISNINGAR FÖR ANVÄNDNING AV LÅNGA BORR BITS

- **Använd aldrig ett högre varvtal än det maximala varvtalet som är angivet för borrarinsatsen.** Vid högre varvtal kan borrarinsatsen krökas om den roterar utan kontakt mot arbetsstycket, vilket kan leda till personskador.
- **Starta alltid med ett lågt varvtal och medan borrarinsatsen har kontakt med arbetsstycket.** Vid högre varvtal kan borrarinsatsen krökas om den roterar utan kontakt mot arbetsstycket, vilket kan leda till personskador.
- **Utöva alltid tryck bara i direkt inriktning mot borrarinsatsen och tryck inte alltför hårt.** Borrarinsatser kan krökas och brytas

av eller leda till att användare förlorar kontrollen över apparaten, vilket kan leda till personskador.

ÖVRIGA SÄKERHETS- OCH ANVÄNDNINGSSINSTRUKTIONER

Använd skyddsutrustning. Använd alltid skyddsglasögon när du använder maskinen. Som skyddsutrustning rekommenderar vi t ex en dammskyddsmask, skyddshandskar, stabila och halksäkra skor, hjälm och hörselskydd.

Det damm som bildas under arbetets gång är ofta hälsofarligt och det ska inte komma in i kroppen. Bär därför lämplig skyddsmask.

Det är inte tillåtet att bearbeta material som kan vara hälsovadligt (t.ex. asbest).

Stäng av maskinen omedelbart om ett verktyg som används sitter fast! Sätt sedan inte på maskinen igen så länge som verktyget som används fortfarande sitter fast; risk för okontrollerade slag med högt reaktionsmoment. Ta reda på orsaken varför verktyget fastnade och åtgärda orsaken med hänsyn till säkerhetsanvisningarna.

Möjliga orsaker kan vara:

- Verktyget sitter snett i arbetsstycket
- Verktyget går igenom materialet som bearbetas
- Elverktyget är överbelastat

Gå aldrig med händerna in i en maskin som är igång.

Verktyget som används kan bli mycket varmt under användningen.

WARNING! Risk för brännskador

- vid verktygsbyte
- när man lägger ifrån sig maskinen

Avlägsna aldrig spån eller fisor när maskinen är igång.

Nätkabeln skall alltid hållas ifrån arbetsområdet. Lägg kabeln bakåt i förhållande till arbetsriktningen.

Vid arbetenborring i vägg, tak eller golv, var alltid observant på befintliga el-, gas- eller vattenledningar.

Säkra arbetsstycket med en fastspänningsanordning. Arbetsstycket som inte är ordentligt fastspänd kan leda till allvarlig kroppsskada eller annan skada.

Drag alltid ur kontakten när du utför arbeten på maskinen.

När du arbetar med stora bordinmetrar, måste du montera extrahandtaget på höger sida (se illustrationer, avdelning "vrida handtaget").

ANVÄND MASKINEN ENLIGT ANVISNINGARNA

Borrmaskinen kan användas till att borra och skruva i trä, metall och plast.

Maskinen får endast användas för angiven tillämpning.

CE-FÖRSÄKRAN

Vi intygar och ansvarar för att den produkt som beskrivs under "Tekniska data" överensstämmer med alla relevanta bestämmelser i direktiv 2011/65/EU (RoHS), 2014/30/EU, 2006/42/EG och följande harmoniserade normerande dokument:

EN 62841-1:2015

EN 62841-2-1:2018+A11:2019

EN 55014-1:2017+A11:2020

EN 55014-2:2015

EN 61000-3-2:2014

EN 61000-3-3:2013

EN IEC 63000:2018

Winnenden, 2020-11-05

Alexander Krug
Managing Director



Befullmäktigad att sammanställa teknisk dokumentation.

Techtronic Industries GmbH
Max-Eyth-Straße 10
71364 Winnenden
Germany

NÄTANSLUTNING

Anslut alltid verktyget till via en felströmbrytare (FI, RCD, PRCD) vid användning utomhus.

Får endast anslutas till 1-fas växelström och till den spänning som anges på dataskylden. Anslutning kan även ske till eluttag utan skyddskontakt, eftersom konstruktionen motsvarar skyddsklass II. Maskinen skall vara fränslagen när kontakten anslutes till vägguttaget.

SKÖTSEL

Se till att motorhöljets luftsitsar är rena.

Det ansamlade dammet faller ur. Regelbunden användning av rengöringsspray rekommenderas.

Om elverktygets anslutningskabel är skadad så ska den bytas ut mot en speciell förmonterad anslutningskabel som kundtjänsten tillhandahåller.

Använd endast Milwaukee tillbehör och reservdelar. Reservdelar vars utbyte ej beskrivs byts bäst av Milwaukee auktoriserad serviceverkstad (se broschyr Garanti/Kundtjänstadresser).

Vid behov av sprängskiss, kan en sådan, genom att uppge maskinens art. nr. (som finns på typskylten) erhållas från: Techtronic Industries GmbH, Max-Eyth-Straße 10, 71364 Winnenden, Germany.

SYMBOLER	
	OBSERVERA! VARNING! FARA!
	Drag alltid ur kontakten när du utför arbeten på maskinen.
	Läs instruktionen noga innan du startar maskinen.
	Tillbehör - Ingår ej i leveransomfånget, erhålles som tillbehör.
	Elektriska maskiner och elverktyg som kasseras får inte slängas tillsammans med de vanliga hushållsoporna. Elektriska maskiner och verktyg samt elektronisk utrustning som kasseras ska samlas separat och lämnas till en avfallsstation för miljövänlig avfallshandtering. Kontakta den lokala myndigheten respektive kommunen eller fråga återförsäljare var det finns speciella avfallsstationer för elskrot.
	Elverktyg skyddsklass II. Elverktyg hos vilket skyddet mot elstötar inte bara är avhängigt av basisoleringen utan också av att det finns extra skyddsåtgärder, som en dubbel isolering eller en förstärkt isolering. Det finns ingen anordning för anslutning av en skyddsledare.
	Tomgångsvarvtal, obelastad
	Volts Växelström
	Växelström
	Europeiskt konformitetsmärke
	Britiskt konformitetsmärke
	Ukrainskt konformitetsmärke
	Euroasiatiskt konformitetsmärke

TEKNISET ARVOT	PORAKONE	HDE 13 RQX	HDE 10 RQX	HDE 6 RQ
Tuotantonomero	3844 92 05..	3845 23 05..	7520 27 05..	
	...000001-999999	...000001-999999	...000001-999999	
Nimellinen teho	950 W	725 W	725 W	
Antoteho	475 W	362 W	362 W	
Kuormittamaton kierros-luku	0-900 min ⁻¹	0-1200 min ⁻¹	0-4200 min ⁻¹	
Kuormitettu kierros-luku maks.	0-550 min ⁻¹	0-795 min ⁻¹	0-2680 min ⁻¹	
Poran ø teräkseen	13 mm	10 mm	6 mm	
Poran ø pehmeä puu	38 mm	30 mm	16 mm	
Poran ø alumiini	20 mm	13 mm	8 mm	
Istukan aukeama	1,5-13 mm	1,0-10 mm	1,0-10 mm	
Porakara	1/2"x20	1/2"x20	3/8"x24	
Paino EPTA-menettelyn 01/2014 mukaan	2,0 kg	1,9 kg	1,4 kg	

Melunpäästö tiedot

Mitta-arvot määritetty EN 62841 mukaan.

Koneen tyyppillinen A-luokitettu melutaso:

Melutaso (Epävarmuus K=3dB(A))

Äänenvoimakkuus (Epävarmuus K=3dB(A))

Käytä kuulosuojaimia!

Tärinätiedot

Värähtelyn yhteisarvot (kolmen suunnan vektorisummitattuna EN 62841 mukaan.

Värähtelyemissioarvo a_h

Epävarmuus K=

VAROITUS

Näissä ohjeissa mainittu värähtelytaso on mitattu EN 62841 -standardin mukaisella mittausten menetelmällä ja sitä voidaan käyttää sähkötyökalujen vertaamiseen. Sitä voidaan käyttää myös värähtelyrasituksen väliaikaiseen arviointiin.

Mainittu värähtelytaso edustaa sähkötyökalun pääasiallista käyttöä. Jos sähkötyökalua kuitenkin käytetään muihin tehtäviin, poikkeavien työkaluun tai riittämättömästi huoltoon, värähtelytaso voi olla erilainen. Se voi korottaa värähtelyrasitusta koko työajan osalta.

Tarkan värähtelyrasituksen toteamiseen tulee ottaa huomioon aika, jona laite on kytketty pois tai on kylläkin päällä, mutta ei käytössä. Se voi pienentää värähtelyrasitusta koko työajan osalta.

Määrittele lisäturvatoimenpiteitä käyttäjän suojaamiseksi värinöiden vaikutukselta, kuten esimerkiksi: sähkötyökalujen ja käyttötyökalujen huolto, käsien lämpimänä pitäminen, työvaiheiden organisaatio.

VAROITUS Lue kaikki turvallisuusmääräykset, ohjeet, kuvitukset ja erittelyt, jotka toimitetaan tämän sähkötyökalun mukana. Jäljempänä annettujen ohjeiden noudattamisen laiminlyönti saattaa johtaa sähköiskuun, tulipaloon ja/tai vakavaan loukkaantumiseen. Säilytä kaikki turvallisuus- ja muut ohjeet tulevaisuutta varten.

VAROITUS

Käytä aina lisäkädensijaa. Koneen hallinnan menetyksessä saattaa aiheuttaa henkivahinkoja.

Pitele laitetta tukevasti tähän tarkoitettuun kahvaan ennen työn aloittamista. Tämän laitteen käytössä syntyy voimakas vääntömomentti, ja saatat menettää laitteen hallinnan ja loukkaantua, ellei pittele sitä käytön aikana tukevasti.

Pitele laitetta vain eristetyistä tarttumapinnoista, kun suoritat sellaisia töitä, joissa leikkaustyökalu saattaa osua piilossa oleviin sähköjohtoihin tai omaan liittämistöön. Leikkaustyökalun yhteys jännitteelliseen johtoon saattaa tehdä laitteen metalliset osat jännitteellisiksi ja aiheuttaa sähköiskun.

TURVALLISUUSMÄÄRÄYKSET PITKIEN PORANTERIEN KÄYTTÖÄ VARTEN

Älä koskaan käytä suurempaa kierros-lukua kuin suurinta poraustyökalulle sallittua kierros-lukua. Suuremmalla kierros-luvulla poraustyökalu saattaa vääntyä, jos se pyörii koskettamatta työstökappaleeseen, ja tästä voi aiheutua tapaturmia.

Aloita työskentely aina alhaisella kierros-luvulla poraustyökalun ollessa kosketuksissa työstökappaleeseen. Suuremmalla kierros-luvulla poraustyökalu saattaa vääntyä, jos se pyörii koskettamatta työstökappaleeseen, ja tästä voi aiheutua tapaturmia.

Paina poraustyökalua aina suorassa suunnassa työstökappaleeseen äläkä paina sitä liian voimakkaasti. Poraustyökalut säätävät vääntyä ja rikkoutua tai aiheuttavat laitteen hallinnan menettämisen, josta voi seurata tapaturmia.

TÄYDENTÄVIÄ TURVALLISUUSMÄÄRÄYKSIÄ JA TYÖSKENTELYOHJEITA

Käytä suojavarusteita. Käytä aina suojalaseja käyttäessäsi konetta. Suosittelemme suojavarusteiden käyttöä, näihin kuuluvat pölysuojanaamarit, työkasineet, tukevat, luistamattomat jalkineet, kypärä ja kuulosuojukset.

Koneen käytöstä aiheutuva pöly ja jäte voi olla haitallista terveydelle eikä sen vuoksi tulisi päästä kosketukseen ihon kanssa. Koneella työskennellessä on käytettävä sopivaa suojainta.

Terveydellisiä vaaroja aiheuttavien materiaalien (esim. asbestin) työstäminen on kiellettyä.

Jos käytetty työkalu juuttuu kiinni, sammuta laite heti! Älä kytke laitetta uudelleen päälle työkalun ollessa vielä kiinni juuttuneena, koska tästä saattaa aiheutua voimakas takaisu. Selvitä työkalun juuttumisen syy ja poista syy turvallisuusmääräyksiä noudattaen.

Mahdollisia syitä voivat olla:

- työkalun vinoutuminen työstökappaleessa
- työstetyn materiaalin puhkaiseminen
- sähkötyökalun ylikuormitus

Älä tartu käynnissä olevan koneen työosiin.

Käytetty työkalu saattaa kuumeta käytön aikana.

VAROITUS! Palovamman vaara

- työkalua vaihdettaessa
- laitetta pois laskettaessa

Lastuja tai puruja ei saa poistaa koneen käydessä.

Pidä sähköjohto poissa koneen käyttöalueelta. Siirrä se aina taaksesi.

Varo seinään, kattoon tai lattiaan porattaessa osumasta sähköjohtoon, kaasu- ja vesijohtoihin.

Varmista työstökappaleesi kiinnityslaitteella paikalleen. Varmistamattomat työstökappaleet saattavat aiheuttaa vakavia vammoja ja vaurioita.

Irrota aina pistotulppa seinäkoskettimesta ennen koneeseen tehtäviä toimenpiteitä.

Suuret poranhalkaisijat edellyttävät, että tukikädensija on suorassa kulmassa pääkädensijaan nähden (katso kuvaa, osassa "Kädensijan kiertäminen".

TARKOITUKSEN MUKAINEN KÄYTTÖ

Porakone soveltuu poraukseen puuhun, metalliin lvi muoviin sekä ruuvien kiertämiseen.

Älä käytä tuotetta ohjeiden vastaisesti.

TODISTUS CE-STANDARDIN MUKAISUUDESTA

Vakuutamme yksinvastuullisesti, että kohdassa "Tekniset tiedot" kuvattu tuote vastaa kaikkia sitä koskevia direktiivien 2011/65/EU (RoHS), 2014/30/EU, 2006/42/EY määräyksiä sekä seuraavia harmonisointia standardisointia asiakirjoja:

EN 62841-1:2015

EN 62841-2-1:2018+A11:2019

EN 55014-1-2:2017+A11:2020

EN 55014-2:2015

EN 61000-3-2:2014

EN 61000-3-3:2013

EN IEC 63000:2018

Winnenden, 2020-11-05



Alexander Krug
Managing Director



Valtuutettu kokoamaan tekniset dokumentit.

Techtronic Industries GmbH
Max-Eyth-Straße 10
71364 Winnenden
Germany

VERKKOLIITÄNTÄ

Ulkokäytössä olevat pistorasiat on varustettava vikavirta-suojajytkimillä (FI, RCD PRCD) sähkölaitteistosi asennusmääräyksen mukaisesti. Muista tarkistaa, että laite liitetään ulkokäytössä ulkopistorasiaan ja neuvottele asiasta sähköasentajasi kanssa.

Yhdistä ainoastaan yksivaiheiseen vaihtovirtaan, jonka verkkojännite on sama kuin tyyppikilvessä ilmoitettu. Myös liittäminen maadoittamattomiin pistorasioihin on mahdollista, sillä rakenne vastaa turvallisuusluokkaa II.

Laitteen käynnistyskytkin on oltava 0- asennossa, kun tulppa työnnetään pistorasiaan.

HUOLTO









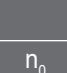




Pidä moottorin ilmanottoaukot puhtaina.

On suositeltavaa, että kiristysleuat porauksineen puhdistetaan säännöllisesti puhdistusaineella.

Jos sähkötyökalun verkkoliitäntäjohto on vahingoittunut, se täytyy korvata erityisvalmisteisella verkkoliitäntäjohdolla, joka on saatavana teknisen asiakaspalvelun kautta.

Käytä vain Milwaukeen lisälaitteita ja varaosia. Käytä ammattitaitoisten Milwaukeen huoltosopimusliikkeiden palveluja muiden kuin käyttöohjeissa kuvattujen osien vaihdossa. (esite takuu/huoltoliikeluettelo).

Tarpeen vaatiessa voit pyytää lähettämään laitteen kokoonpanopiirustuksen ilmoittamalla arvokilven numeron seuraavasta osoitteesta: Techtronic Industries GmbH, Max-Eyth-Straße 10, 71364 Winnenden, Germany.

SYMBOLIT	
	HUOMIO! VAROITUS! VAARA!
	Irrota aina pistotulppa seinäkoskettimesta ennen koneeseen tehtäviä toimenpiteitä.
	Lue käyttöohjeet huolellisesti, ennen koneen käynnistämistä.
	Lisälaitte - Ei sisälly vakiovarustukseen, saatavana lisätarvikkeena.
	Sähkölaitteita ei saa hävittää yhdessä kotitalousjätteiden kanssa. Sähkö- ja elektroniset laitteet tulee kerätä erikseen ja toimittaa kierrätysliikkeeseen ympäristöstävällistä hävittämistä varten. Pyydä paikallisilta viranomaisilta tai alan kauppiailta tarkemmat tiedot kierrätyspisteistä ja keräyspaikoista.
	Suojaluokan II sähkötyökalu. Sähkötyökalu, jonka sähköiskunsuojaus ei ole riippuvainen ainoastaan peruseristyksestä, vaan myös siitä, että käytetään lisäturvatoimia, kuten kaksinkertaista eristystä tai vahvistettua eristystä. Laitteessa ei ole suojaajojen liittämiseen tarvittavia varusteita.
	Kuormittamaton kierros-luku
	Jännite AC
	Vaihtovirta
	Euroopan säännönmukaisuusmerkki
	Britannian säännönmukaisuusmerkki
	Ukrainan säännönmukaisuusmerkki
	Euraasian säännönmukaisuusmerkki

ΤΕΧΝΙΚΑ ΣΤΟΙΧΕΙΑ	ΠΕΡΙΣΤΡΟΦΙΚΟ ΔΡΑΠΑΝΟ	HDE 13 RQX	HDE 10 RQX	HDE 6 RQ
Αριθμός παραγωγής.....	3844 92 05.....	3845 23 05.....	7520 27 05.....
Ονομαστική ισχύς.....	950 W	725 W	725 W
Αποδιδόμενη ισχύς.....	475 W	362 W	362 W
Αριθμός στροφών χωρίς φορτίο.....	0-900 min ⁻¹	0-1200 min ⁻¹	0-4200 min ⁻¹
Μέγιστος αριθμός στροφών με φορτίο.....	0-550 min ⁻¹	0-795 min ⁻¹	0-2680 min ⁻¹
Διάμετρος τρύπας σε χάλυβα.....	13 mm	10 mm	6 mm
Διάμετρος τρύπας σε μαλακό ξύλο.....	38 mm	30 mm	16 mm
Διάμετρος τρύπας σε αλουμίνιο.....	20 mm	13 mm	8 mm
Περιοχή σύσφιξης του τσοκ.....	1,5-13 mm	1,0-10 mm	1,0-10 mm
Ατρακτος δράπανου.....	1/2"x20	1/2"x20	3/8"x24
Βάρος σύμφωνα με τη διαδικασία EPTA 01/2014.....	2,0 kg	1,9 kg	1,4 kg

Πληροφορίες θορύβου
 Τιμές μέτρησης εξακριβωμένες κατά EN 62841.
 Η σύμφωνα με την καμπύλη A εκτιμηθείσα στάθμη θορύβου του μηχανήματος αναφέρεται σε:
 Στάθμη ηχητικής πίεσης (Ανασφάλεια K=3dB(A))..... 99 dB (A)..... 99 dB (A)..... 99 dB (A)
 Στάθμη ηχητικής ισχύος (Ανασφάλεια K=3dB(A))..... 110 dB (A)..... 110 dB (A)..... 110 dB (A)

Φοράτε προστασία ακοής (ωτασπίδες)!
Πληροφορίες δονήσεων
 Υλικές τιμές κραδασμών (άθροισμα διανυσμάτων τριών διευθύνσεων) εξακριβώθηκαν σύμφωνα με τα πρότυπα EN 62841.
 Τιμή εκπομπής δονήσεων a_w..... 5,4 m/s²..... 2,7 m/s²..... 6,8 m/s²
 Ανασφάλεια K=..... 1,5 m/s²..... 1,5 m/s²..... 1,5 m/s²

ΠΡΟΕΙΔΟΠΟΙΗΣΗ
 Το αναφερόμενο σ' αυτές τις οδηγίες επίπεδο δονήσεων έχει μετρηθεί με μια τυποποιημένη σύμφωνα με το EN 62841 μέθοδο μέτρησης και μπορεί να χρησιμοποιηθεί για τη σύγκριση των ηλεκτρικών εργαλείων μεταξύ τους. Αυτό είναι επίσης κατάλληλο για μια προσωρινή εκτίμηση της επιβάρυνση των δονήσεων.

Το αναφερόμενο επίπεδο δονήσεων αντιπροσωπεύει τις κύριες χρήσεις του ηλεκτρικού εργαλείου. Εάν όμως η ηλεκτρική χρησιμοποιείται σε άλλες χρήσεις, με διαφορετικά εργαλεία εφαρμογής ή ανεπαρκή συντήρηση, μπορεί να υπάρξει απόκλιση του επιπέδου δονήσεων. Αυτό μπορεί να αυξήσει σημαντικά την επιβάρυνση των δονήσεων για τη συνολική διάρκεια της εργασίας

Για μια ακριβή εκτίμηση της επιβάρυνσης των δονήσεων οφείλουν επίσης να λαμβάνονται υπόψη οι χρόνοι, στους οποίους η συσκευή είναι απενεργοποιημένη ή είναι μεν ενεργοποιημένη αλλά δεν χρησιμοποιείται πραγματικά. Αυτό μπορεί να μειώσει σημαντικά την επιβάρυνση των δονήσεων για τη συνολική διάρκεια της εργασίας.

Καθορίζετε πρόσθετα μέτρα ασφαλείας για την προστασία του χειριστή από την επίδραση των δονήσεων όπως για παράδειγμα: Συντήρηση του ηλεκτρικού εργαλείου και των εργαλείων εφαρμογής, διατηρείτε ξεστά τα χέρια, οργάνωση των διαδικασιών εργασίας.

⚠ ΠΡΟΕΙΔΟΠΟΙΗΣΗ! Διαβάστε όλες τις προειδοποιητικές υποδείξεις, οδηγίες, περιγραφές και προδιαγραφές γι' αυτό το ηλεκτρικό εργαλείο. Αμείλιες κατά την τήρηση των προειδοποιητικών υποδείξεων μπορεί να προκαλέσουν ηλεκτροπληξία, κίνδυνο πυρκαγιάς ή/και σοβαρούς τραυματισμούς. **Φυλάξτε όλες τις προειδοποιητικές υποδείξεις και οδηγίες για κάθε μελλοντική χρήση.**

⚠ ΥΠΟΔΕΙΞΕΙΣ ΑΣΦΑΛΕΙΑΣ ΓΙΑ ΔΡΑΠΑΝΑ

- Χρησιμοποιείτε πάντοτε την πρόσθετη χειρολαβή. Η απώλεια ελέγχου μπορεί να οδηγήσει σε τραυματισμό.
- Πριν την έναρξη της εργασίας να κρατάτε το εργαλείο σταθερά από την προβλεπόμενη λαβή. Αυτό το εργαλείο έχει υψηλή ροπή στρέψεως κι όταν δεν το κρατάτε καλά κατά τη διάρκεια της λειτουργίας, μπορεί να χάσετε τον έλεγχο και να τραυματιστείτε.
- Να πιάνετε τη συσκευή στις μονωμένες χειρολαβές όταν εκτελείτε εργασίες κατά τις οποίες τα κοπτικά εργαλεία θα μπορούσαν να πέσουν επάνω σε κρυμμένα καλώδια ρεύματος ή στο δικό της καλώδιο. Η επαφή των κοπτικών εργαλείων με αγνώστου προφασίας τάσης μπορεί να θέσει τα μεταλλικά τμήματα της συσκευής υπ' όταση και να προκαλέσει ηλεκτροπληξία.

ΥΠΟΔΕΙΞΕΙΣ ΑΣΦΑΛΕΙΑΣ ΓΙΑ ΤΗ ΧΡΗΣΗ ΜΑΚΡΙΩΝ ΤΡΥΠΑΝΙΩΝ

- Μη χρησιμοποιείτε ποτέ έναν υψηλότερο αριθμό στροφών από τον ανώτατο αριθμό στροφών που ενδείκνυται για το τρυπάνι. Με υψηλότερο αριθμό στροφών μπορεί να λυγίσει το τρυπάνι κατά την περιστροφή άνευ επαφής στο κατεργαζόμενο τεμάχιο· πράγμα που μπορεί να οδηγήσει σε τραυματισμούς.
- Να ξεκινάτε πάντα με χαμηλό αριθμό στροφών κι όταν εφάπτεται το τρυπάνι στο κατεργαζόμενο τεμάχιο. Με

υψηλότερο αριθμό στροφών μπορεί να λυγίσει το τρυπάνι κατά την περιστροφή άνευ επαφής στο κατεργαζόμενο τεμάχιο· πράγμα που μπορεί να οδηγήσει σε τραυματισμούς.

- Να ασκείτε πίεση μόνο σε πλήρη ευθυγράμμιση με το τρυπάνι και να μην πιέζετε υπερβολικά. Στελέχη τρυπανιών θα μπορούσαν να λυγίσουν και να σπασούν ή να οδηγήσουν σε απώλεια του ελέγχου του εργαλείου, με αποτέλεσμα να προκληθούν τραυματισμοί.

ΠΕΡΑΙΤΕΡΩ ΟΔΗΓΙΕΣ ΑΣΦΑΛΕΙΑΣ ΚΑΙ ΧΡΗΣΕΩΣ

Χρησιμοποιείτε προστατευτικό εξοπλισμό. Κατά την εργασία με τη μηχανή φοράτε πάντα προστατευτικά γυαλιά. Συνιστούμε επίσης προστατευτική ενδυμασία όπως επίσης μάσκα προστασίας αναπνοής, προστατευτικά γάντια, σταθερά και ασφαλή στην ολίσθηση υποδήματα, κράνος και ωτασπίδες.
 Η σκόνη που δημιουργείται κατά την εργασία είναι συχνά επιβλαβής για την υγεία και δεν επιτρέπεται να έλθει στο σώμα. Να φοράτε κατάλληλη μάσκα προστασίας από σκόνη.
 Μην επεξεργάζεστε επικίνδυνα για την υγεία υλικά (π.χ. αμίαντος).
 Σε περίπτωση μπλοκαρίσματος της αρίδας απενεργοποιείστε αμέσως τη συσκευή! Μην ενεργοποιείτε εκ νέου τη συσκευή όσο η αρίδα είναι μπλοκαρισμένη. Σ' αυτή τη περίπτωση θα μπορούσε να προκύψει υψηλή ροπή αντίδρασης. Βρεθεί την απία του μπλοκαρίσματος της αρίδας και ξεμπλοκάρει την λαμβάνοντας υπόψη τις οδηγίες ασφαλείας.
 Πιθανές αιτίες:
 • Η αρίδα μάγκωσε με το προς κατεργασία κομμάτι.
 • Στάσιμο του προς κατεργασία υλικού.
 • Υπερφόρτωση του ηλεκτρικού εργαλείου.
 Μην απλώνετε τα χέρια σας στην επικίνδυνη περιοχή της μηχανής όταν είναι σε λειτουργία.



Η θερμοκρασία της αρίδας μπορεί να φτάσει σε υψηλά επίπεδα κατά τη λειτουργία.
ΠΡΟΕΙΔΟΠΟΙΗΣΗ! Κίνδυνος εγκαύματος
 • κατά την αλλαγή εργαλείου (αρίδας)
 • κατά την απόθεση της συσκευής
 Τα γρέζια ή οι σκλήθρες δεν επιτρέπεται να απομακρύνονται όσο η μηχανή βρίσκεται σε λειτουργία.
 Κρατάτε το καλώδιο σύνδεσης πάντοτε μακριά από την περιοχή δράσης της συσκευής. Περνάτε το καλώδιο πάντοτε πίσω από τη μηχανή.
 Κατά τις εργασίες σε τοίχο, οροφή ή δάπεδο προσέχετε για τυχόν ηλεκτρικά καλώδια και για σωληνές αερίου και νερού.
 Ασφαλίστε το προς κατεργασία κομμάτι στη μέγιστη ή με μια άλλη διάταξη στερέωσης. Μη ασφαλισμένα προς κατεργασία κομμάτια μπορεί να προκαλέσουν σοβαρούς τραυματισμούς και ζημιές.
 Πριν από κάθε εργασία στη μηχανή τραβάτε το φως από την πρίζα.
 Σε μεγάλες διαμέτρους διάρτησης πρέπει η συμπληρωματική χειρολαβή να στερεωθεί με ορθή γωνία προς την κύρια χειρολαβή. (Βλέπε επίσης στην εικόνα, τμήμα "Περιστροφή χειρολαβής").

ΧΡΗΣΗ ΣΥΜΦΩΝΑ ΜΕ ΤΟ ΣΚΟΠΟ ΠΡΟΟΡΙΣΜΟΥ

Το δράπανο μπορεί να χρησιμοποιηθεί για τρύπημα ξύλου, μετάλλου και πλαστικού και για βίδωμα.
 Αυτή η συσκευή επιτρέπεται να χρησιμοποιηθεί μόνο σύμφωνα με τον αναφερόμενο σκοπό προορισμού.

ΔΗΛΩΣΗ ΠΙΣΤΟΤΗΤΑΣ ΕΚ

Δηλώνουμε υπεύθυνα ότι το προϊόν που περιγράφεται στο κεφάλαιο «Τεχνικά χαρακτηριστικά» είναι συμβατό με τις διατάξεις της Κοινοτικής Οδηγίας 2011/65/EU (RoHS), 2014/30/EU, 2006/42/EK και με τα ακόλουθα εναρμονισμένα κανονιστικά έγγραφα:
 EN 62841-1:2015
 EN 62841-2-1:2018+A11:2019
 EN 55014-1:2017+A11:2020
 EN 55014-2:2015
 EN 61000-3-2:2014
 EN 61000-3-3:2013
 EN IEC 63000:2018

Winnenden, 2020-11-05

 Alexander Krug
 Managing Director
 Εξουσιοδοτημένος να συντάξει τον τεχνικό φάκελο.
 Techtronic Industries GmbH
 Max-Eyth-Straße 10
 71364 Winnenden
 Germany


ΣΥΝΔΕΣΗ ΣΤΟ ΗΛΕΚΤΡΙΚΟ ΔΙΚΤΥΟ









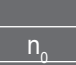





Οι πρίζες στους εξωτερικούς χώρους πρέπει να είναι εξοπλισμένες με μικροαυτόματος διακόπτες προστασίας (FI, RCD, PRCD). Αυτό απαιτεί ο σχετικός κανονισμός από την ηλεκτρική σας εγκατάσταση. Προσέξτε παρακαλώ αυτό το σημείο κατά τη χρήση της συσκευής μας.
 Συνδέστε μόνο σε μονοφασικό εναλλασσόμενο ρεύμα και μόνο σε τάση δικτύου όπως αναφέρεται στην πινακίδα τεχνικών χαρακτηριστικών. Η σύνδεση είναι επίσης εφικτή σε πρίζες χωρίς προστασία επαφής, διότι έχει προβλεφθεί εξοπλισμός κατηγορίας προστασίας II.
 Συνδέστε τη συσκευή στην πρίζα μόνο όταν είναι απενεργοποιημένη.

ΣΥΝΤΗΡΗΣΗ

Διατηρείτε πάντοτε τις χισμές εξερισμού της μηχανής καθαρές. Συνιστάται η τακτική χρήση σπρέι καθαρισμού στις σιαγόνες σύσφιξης και στις σπές των σιαγόνων σύσφιξης.
 Αν το καλώδιο παροχής ρεύματος της συσκευής έχει υποστεί ζημία πρέπει να αντικατασταθεί από ένα ειδικά για αυτόν τον σκοπό

προετοιμασμένο καλώδιο το οποίο μπορείτε να προμηθευτείτε από την εξυπηρέτηση πελατών.
 Χρησιμοποιείτε μόνο εξαρτήματα και ανταλλακτικά της Milwaukee. Αναθέστε την αλλαγή των εξαρτημάτων, των οποίων η αντικατάσταση δεν έχει περιγραφεί, σ' ένα κέντρο σέρβις της Milwaukee (προσέξτε το εγχειρίδιο Εγγύηση/Διευθύνσεις εξυπηρέτησης πελατών).
 Όταν χρειάζεστε, μπορείτε να ζητήσετε ένα σχέδιο συναρμολόγησης της συσκευής, δίνοντας τον τύπο της μηχανής και αριθμό στην πινακίδα ισχύος, από το κέντρο σέρβις ή απευθείας από τη φίρμα Techtronic Industries GmbH, Max-Eyth-Straße 10, 71364 Winnenden, Germany.

ΣΥΜΒΟΛΑ

	ΠΡΟΣΟΧΗ! ΠΡΟΕΙΔΟΠΟΙΗΣΗ! ΚΙΝΔΥΝΟΣ!
	Πριν από κάθε εργασία στη μηχανή τραβάτε το φως από την πρίζα.
	Παρακαλώ διαβάστε σχολαστικά τις οδηγίες χρήσης πριν από την έναρξη λειτουργίας.
	Εξαρτήματα - Δεν περιλαμβάνονται στα υλικά παράδοσης, συνιστούμενη προσθήκη από το πρόγραμμα εξαρτημάτων.
	Ηλεκτρικά μηχανήματα δεν επιτρέπεται να απορριπτούν μαζί με τα οικιακά απορρίμματα. Ηλεκτρικά και ηλεκτρονικά μηχανήματα συλλέγονται ξεχωριστά και παραδίδονται προς ανακύκλωση με τρόπο φιλικό προς το περιβάλλον σε επιχείρηση επεξεργασίας απορριμμάτων. Ενημερωθείτε από τις τοπικές υπηρεσίες ή από ειδικευμένους εμπόρους σχετικά με κέντρα ανακύκλωσης και συλλογής απορριμμάτων.
	Ηλεκτρικό εργαλείο κατηγορίας ασφάλειας II. Ηλεκτρικό εργαλείο στο οποίο η προστασία από ηλεκτροπληξία δεν εξαρτάται μόνο από την βασική μόνωση αλλά και από συμπληρωματικά μέτρα ασφάλειας όπως διπλή ή ενισχυμένη μόνωση. Δεν υπάρχει εξοπλισμός για να συνδεθεί με την γείωση.
	Αριθμός στροφών χωρίς φορτίο
	Βολτ AC
	Εναλλασσόμενο ρεύμα
	Ευρωπαϊκό σήμα πιστότητας
	Βρετανικό σήμα πιστότητας
	Ουκρανικό σήμα πιστότητας
	001
	Ευρασιατικό σήμα πιστότητας

TEKNİK VERİLER	MATKAP MAKİNESİ	HDE 13 RQX	HDE 10 RQX	HDE 6 RQ
Üretim numarası	3844 92 05... ..000001-999999	3845 23 05... ..000001-999999	7520 27 05... ..000001-999999	
Giriş gücü	950 W	725 W	725 W	
Çıkış gücü	475 W	362 W	362 W	
Boşta ki devir sayısı	0-900 min ⁻¹	0-1200 min ⁻¹	0-4200 min ⁻¹	
Yükteki maksimum devir sayısı	0-550 min ⁻¹	0-795 min ⁻¹	0-2680 min ⁻¹	
Delme çapı çelikte	13 mm	10 mm	6 mm	
Delme çapı yumuşak tahtada	38 mm	30 mm	16 mm	
Delme çapı alüminyum	20 mm	13 mm	8 mm	
Mandren kapasitesi	1,5-13 mm	1,0-10 mm	1,0-10 mm	
Matkap mili	1/2"x20	1/2"x20	3/8"x24	
Ağırlığı ise EPTA-üretici 01/2014'e göre	2,0 kg	1,9 kg	1,4 kg	

Gürültü bilgileri

Ölçüm değerleri EN 62841 e göre belirlenmektedir.

Aletin, frekansa bağımlı uluslararası ses basıncı seviyesi değerlendirme eğrisi A'ya göre tipik gürültü seviyesi:

Ses basıncı seviyesi (Tolerans K=3dB(A))	99 dB (A)	99 dB (A)	99 dB (A)
Akustik kapasite seviyesi (Tolerans K=3dB(A))	110 dB (A)	110 dB (A)	110 dB (A)

Koruyucu kulaklık kullanın!

Vibrasyon bilgileri

Toplam titreşim değeri (üç yönün vektör toplamı) EN 62841'e göre belirlenmektedir:

Titreşim emisyon değeri a _h	5,4 m/s ²	2,7 m/s ²	6,8 m/s ²
Tolerans K=	1,5 m/s ²	1,5 m/s ²	1,5 m/s ²

UYARI

Bu talimatlarda belirtilen titreşim seviyesi, EN 62841 standardına uygun bir ölçme metodu ile ölçülmüştür ve elektrikli el aletleri birbiriyle karşılaştırmak için kullanılabilir. Ölçüm sonuçları ayrıca titreşim yükünün geçici değerlendirilmesi için de uygundur.

Belirtilen titreşim seviyesi, elektrikli el aletinin genel uygulamaları için geçerlidir. Ancak elektrikli el aleti başka uygulamalar için, farklı eklenti parçalarıyla ya da yetersiz bakım koşullarında kullanılırsa, titreşim seviyesi farklılık gösterebilir. Bu durumda, titreşim yükü toplam çalışma zaman aralığı içerisinde belirgin ölçüde yükselebilir.

Titreşim yükünün tam bir değerlendirmesi için ayrıca cihazın kapalı olduğu süreler ve cihazın çalışır durumda olduğu, ancak gerçek kullanımda bulunmadığı süreler de dikkate alınmalıdır. Böylelikle, toplam çalışma zamanı aralığı boyunca meydana gelen titreşim yükü belirgin ölçüde azaltılabilir.

Kullanıcıyı titreşimlerin etkisinden korumak üzere, örneğin elektrikli el aletlerinin ve eklenti parçalarının bakımı, ellerin sıcak tutulması ve iş akışlarının organizasyonu gibi ek güvenlik tedbirleri belirleyiniz.

UYARI! Bu elektrikli el aletleriyle ilgili bütün uyarıları, talimat hükümlerini, gösterimleri ve spesifikasyonları okuyun. Aşağıda açıklanan talimat hükümlerine uyulmadığı takdirde elektrik çarpmalarına, yangınlara ve/veya ağır yaralanmalara neden olunabilir. **Bütün uyarıları ve talimat hükümlerini ileride kullanmak üzere saklayın.**

MATKAP MAKİNELERİ İÇİN GÜVENLİK AÇIKLAMALARI

- Daima ilave sapı kullanın.** Aletin kontrolden çıkması kazalara neden olabilir.
- Çalışmaya başlamadan önce cihazı öngörülen tutma kulpundan sıkıca tutunuz.** Cihaz yüksek bir çıkış torku oluşturmaktadır ve çalışması sırasında cihazı sıkıca tutmazsanız, kontrolünü kaybederek kendinizi yaralayabilirsiniz.
- Kesme aletinin eğrilmiş elektrik kabloları veya kendi kablolarına isabet eden çalışmalar yapılırken cihazı izole edilmiş kollarından tutun.** Kesme aletinin içinden elektrik akımı geçen kablo ile temas etmesi durumunda elektrik akımı cihazın metal kısımlarına geçer ve elektrik çarpmasına sebebiyet verebilir.

UZUN MATKAP UÇLARININ KULLANILMASIYLA İLGİLİ GÜVENLİK BİLGİLERİ

- Asla matkap ucu için belirtilen maksimum devirden daha yüksek devirler kullanmayınız.** Daha yüksek devirlerde matkap ucu, iş parçasına temas etmeden döndüğünde eğilebilir ve bu da yaralanmalara neden olabilir.
- Matkap ucu iş parçasına temas ettiğinde daima düşük bir devirle başlayınız.** Daha yüksek devirlerde matkap ucu, iş parçasına temas etmeden döndüğünde eğilebilir ve bu da yaralanmalara neden olabilir.

- Daima sadece doğrudan matkap ucunun yönüne doğru basınç uygulayınız ve fazla sıkı bastırmayınız.** Matkap uçları bükülebilir ve kırılabilir veya cihazın kontrolünün kaybedilmesine neden olabilirler. Bu da yaralanmalara sebebiyet verebilir.

EK GÜVENLİK VE ÇALIŞMA TALİMATLARI

Koruma teçhizatı kullanın. Makinada çalışırken devamlı surette koruyucu gözlük takın. Koruyucu elbise ve tozlardan korunma maskesi, emniyet eldivenleri ve sağlam ve kaymaya mukavim ayakkabı giyin. Başlık ve kulaklık tavsiye edilir.

Çalışma sırasında ortaya çıkan toz genellikle sağlığı zararlıdır ve bedeninize temas etmemelidir. Uygun bir koruyucu toz maskesi kullanın

Sağlık tehlikelerine neden olan maddelerin işlenmesi yasaktır (örn. asbest).

Uca yerleştirilen takımın bloke olması halinde lütfen cihazı hemen kapatın! Uca yerleştirilen takım bloke olduğu sürece cihazı tekrar çalıştırmayın; bu sırada yüksek reaksiyon momentine sahip bir geri tepme meydana gelebilir. Uca yerleştirilen takımın neden bloke olduğuna bakın ve bu durumu güvenlik uyarılarına dikkat ederek gidin.

Olası nedenler şunlar olabilir:

- İşlenen parça içinde takılma
- İşlenen malzemenin delinmesi
- Elektrikli alete aşırı yük binmesi

Ellerinizi çalışmakta olan makinenin içine uzatmayın.

Uca yerleştirilen takım kullanın sırasında ısınabilir.

UYARI! Yanma tehlikesi

- takım değiştirme sırasında
- aletin yere bırakılması sırasında

Alet çalışır durumda iken talaş ve kırpıntıları temizlemeye çalışmayın.

Bağlantı kablosunu aletten uzak tutun. Kablo daima aletin arkasında olmalıdır ve toplanmamalıdır.

Duvar, tavan ve zeminde delik açarken elektrik kablolarına, gaz ve su borularına dikkat edin.

İşlenen parçayı bir germe tertibatıyla emniyete alın. Emniyete alınmayan iş parçaları ağır yaralanmalar ve hasarlara neden olabilir.

Aletin kendinde bir çalışma yapmadan önce fişi prizden çekin.

Büyük delik çaplarında ilave sap ana tutumağa dik açılı olarak tespit edilmelidir. Bakınız: Resimli kısım, "Tutumağın çevrilmesi" bölümü.

KULLANIM

Bu matkap, tahta, metal ve plastikte delme işleri ile vidalama işlerinde kullanılabilir.

Bu alet sadece belirttiği gibi ve usulüne uygun olarak kullanılabilir.

CE UYGUNLUK BEYANI

Tek sorumlu olarak "Teknik Veriler" bölümünde tarif edilen ürünün 2011/65/EU (RoHS), 2014/30/EU, 2006/42/EC sayılı direktifin ve aşağıdaki harmonize temel belgelerin bütün önemli hükümlerine uygun olduğunu beyan etmekteyiz:

EN 62841-1:2015
EN 62841-2-1:2018+A11:2019
EN 55014-1:2017+A11:2020
EN 55014-2:2015
EN 61000-3-2:2014
EN 61000-3-3:2013
EN IEC 63000:2018

Winnenden, 2020-11-05

Alexander Krug

Alexander Krug
Managing Director

Teknik evrakları hazırlamakla görevlendirilmiştir.

Techtronic Industries GmbH
Max-Eyth-Straße 10
71364 Winnenden
Germany



ŞEBEKE BAĞLANTISI

Açık havadaki prizler hatalı akım koruma şalteri (FI, RCD, PRCD) ile donatılmış olmalıdır. Bu, elektrik tesisatındaki bir zorunluluktur. Lütfen aletimizi kullanırken bu hususa dikkat edin.

Aleti sadece tek fazlı alternatif akıma ve tip etiketi üzerinde belirtilen şebeke gerilimine bağlayın. Yapısı Koruma sınıfı II'ye girdiğinden alet koruyucu kontaklı prize de bağlanabilir.

Aleti sadece kapalı iken prize takın.

BAKIM

Aletin havalandırma aralıklarını daima temiz tutun.

Ayrıca, germe çenelerine ve germe çenesi deliklerine düzenli olarak bakım spreyi uygulamanızı öneririz.

Elektrikli aletin elektrik kablosu hasarlıysa, müşteri hizmeti organizasyonu üzerinden temin edilebilen önceden özel olarak hazırlanmış bir elektrik kablosu ile değiştirilmesi gerekmektedir.

Sadece Milwaukee aksesuarını ve yedek parçalarını kullanın. Değiştirilmesi açıklanmamış olan parçaları bir Milwaukee müşteri servisinde değiştirin (Garanti broşürüne ve müşteri servisi adreslerine dikkat edin).

Gerektiği takdirde aletin dağıtım görünüş şeması, alet tipinin ve tip etiketi üzerindeki sayının bildirilmesi koşuluyla müşteri servisinden veya doğrudan Techtronic Industries GmbH, Max-Eyth-Straße 10, 71364 Winnenden, Germany adresinden istenebilir.

SEMBOLLER

	DİKKAT! UYARI! TEHLİKE!
	Aletin kendinde bir çalışma yapmadan önce fişi prizden çekin.
	Lütfen aleti çalıştırmadan önce kullanma kılavuzunu dikkatli biçimde okuyun.
	Aksesuar - Teslimat kapsamında değildir, önerilen tamamlamalar aksesuar programında.
	Elektrikli cihazların evsel atıklarla birlikte bertaraf edilmesi yasaktır. Elektrikli ve elektronik cihazlar ayrı olarak biriktirilmeli ve çevreye zarar vermeden bertaraf edilmeleri için bir atık değerlendirme tesisine götürülmelidirler. Yerel makamlara veya satıcınıza geri dönüşüm tesisleri ve atık toplama merkezlerinin yerlerini danışınız.
	Koruma sınıfı II olan elektrikli aletler. Elektrik çarpmasına karşı korumanın sadece temel izolasyona bağlı olmayıp, aynı zamanda çift izolasyon veya takviyeli izolasyon gibi ek koruyucu önlemlerin alınmasına bağlı olan elektrikli alet. Bir koruyucu iletken bağlamak için düzeneği bulunmamaktadır.
	Boşta ki devir sayısı
	Voltaj
	Dalgalı akım
	Avrupa uyumluluk işareti
	Britanya uyumluluk işareti
	Ukrayna uyumluluk işareti
	Avrasya uyumluluk işareti

TECHNICKÁ DATA	VRTAČKY	HDE 13 RQX	HDE 10 RQX	HDE 6 RQ
Výrobní číslo.....	3844 92 05.....	3845 23 05.....	7520 27 05.....
Jmenovitý příkon.....	950 W.....	725 W.....	725 W.....
Odběr.....	475 W.....	362 W.....	362 W.....
Volnoběžné otáčky.....	0-900 min ⁻¹	0-1200 min ⁻¹	0-4200 min ⁻¹
Počet otáček při zatížení max.....	0-550 min ⁻¹	0-795 min ⁻¹	0-2680 min ⁻¹
Vrtací ø v oceli.....	13 mm.....	10 mm.....	6 mm.....
Vrtací ø v měkké dřevě.....	38 mm.....	30 mm.....	16 mm.....
Vrtací ø v hliník.....	20 mm.....	13 mm.....	8 mm.....
Rozsah upnutí sklíčidla.....	1,5-13 mm.....	1,0-10 mm.....	1,0-10 mm.....
Vrtací vřeteno.....	1/2"x20.....	1/2"x20.....	3/8"x24.....
Hmotnost podle prováděcího předpisu EPTA 01/2014.....	2,0 kg.....	1,9 kg.....	1,4 kg.....

Informace o hluku

Naměřené hodnoty odpovídají EN 62841.

V třídě A posuzovaná hladina hluku přístroje činí typicky:

Hladina akustického tlaku (Kolísavost K=3dB(A))..... 99 dB (A)..... 99 dB (A)..... 99 dB (A)

Hladina akustického výkonu (Kolísavost K=3dB(A))..... 110 dB (A)..... 110 dB (A)..... 110 dB (A)

Používejte chrániče sluchu!

Informace o vibracích

Celkové hodnoty vibrací (vektorový součet tří směrů) zjištěné ve smyslu EN 62841.

Hodnota vibračních emisí a_v..... 5,4 m/s²..... 2,7 m/s²..... 6,8 m/s²

Kolísavost K=..... 1,5 m/s²..... 1,5 m/s²..... 1,5 m/s²

VAROVÁNÍ

Úroveň chvění uvedená v tomto návodu byla naměřena podle metody měření stanovené normou EN 62841 a může být použita pro porovnání elektrického nářadí. Hodí se také pro průběžný odhad zatížení chvěním.

Uvedená úroveň chvění představuje hlavní účely použití elektrického nářadí. Jestliže se ale elektrické nářadí používá pro jiné účely, s odlišnými nástroji nebo s nedostatečnou údržbou, může se úroveň chvění odlišovat. To může značně zvýšit zatížení chvěním během celé pracovní doby.

Pro přesný odhad zatížení chvěním se musí také zohlednit časy, během kterých je přístroj vypnutý nebo kdy je sice v chodu, ale skutečně se s ním nepracuje. To může zatížení chvěním během celé pracovní doby značně snížit.

Stanovte doplňková bezpečnostní opatření pro ochranu obsluhy před účinky chvění jako například: technická údržba elektrického nářadí a nástrojů, udržování teploty rukou, organizace pracovních procesů.

VAROVÁNÍ! Přečtěte si všechna výstražná upozornění, pokyny, zobrazení a specifikace pro toto elektrické nářadí. Zanedbání při dodržování výstražných upozornění a pokynů uvedených v následujícím textu může mít za následek zásah elektrickým proudem, způsobit požár a/nebo těžké poranění. **Všechna varovná upozornění a pokyny do budoucna uschovejte.**

BEZPEČNOSTNÍ POKYNY PRO PRÁCI S VRTAČKOU

• **Vždy používejte doplňkové madlo.** Nedostatečným držením by mohlo dojít ke zranění.

• **Před spuštěním držte nástroj pevně v ruce.** Tento nástroj vytváří vysoký kroutící moment a pokud byste během provozu nástroj pevně nedrželi, mohlo by dojít ke ztrátě kontroly nad nástrojem a k poranění.

• **Při provádění prací, při kterých nástroj může narazit na skryta elektrická vedení nebo na vlastní kabel, držte přístroj za izolované přidržovací plochy.** Kontakt řezného nástroje s vedením pod napětím může vést k přenosu napětí na kovové části přístroje a k úrazu elektrickým proudem.

BEZPEČNOSTNÍ POKYNY PRO POUŽITÍ DLOUHÝCH VÝMĚNNÝCH NÁSTAVCŮ NA VRTÁNÍ

• **Nikdy nepracujte při vyšších otáčkách, než jsou maximální jmenovité otáčky vrtáku.** Při vyšších rychlostech může dojít k ohnutí vrtáku, když by se vrták volně točil a nebyl v kontaktu s obrobkem, což může vést k poranění.

• **Vždy začněte vrtat při nízkých otáčkách a s hrotem v kontaktu s obrobkem.** Při vyšších rychlostech se může vrták prohýbat, když se točí a není v kontaktu s obrobkem, což může vést k poranění.

• **Tlačte pouze přímo ve směru osy vrtáku a nevyvíjejte přílišný tlak.** Vrtáky se mohou ohnout a prasknout, nebo by mohlo dojít ke ztrátě kontroly a k následnému poranění.

DALŠÍ BEZPEČNOSTNÍ A PRACOVNÍ POKYNY

Použijte ochranné vybavení. Při práci s elektrickým nářadím používejte vždy ochranné brýle. Doporučujeme rovněž použití součástí ochranného oděvu a ochranné obuvi, jako protiprašné masky, ochranných rukavic, pevné a neklouzající obuvi, ochranné přilby a ochrany sluchu.

Prach vznikající při práci s tímto nářadím může být zdraví škodlivý. Proto by neměl přijít do styku s tělem. Používejte při práci vhodnou ochranou masku.

Nesmějí se opravovávat materiály, které mohou způsobit ohrožení zdraví (např. azbest)

Při zablokování nasazeného nástroje přístroj okamžitě vypněte! Přístroj nezapínejte, pokud je nasazený nástroj zablokovaný; mohl by při tom vzniknout zpětný náraz s vysokým reakčním momentem. Zjistěte příčinu zablokování nasazeného nástroje a odstraňte ji při dodržení bezpečnostních pokynů.

Možnými příčinami mohou být:

- vzpříčení v opravovávaném obrobku
- přelomení opravovávaného materiálu
- přetížení elektrického přístroje

Nezasahujte do běžícího stroje.

Nasazený nástroj se může během používání rozpálat.

VAROVÁNÍ! Nebezpečí popálení.

- při výměně nástroje
- při odkládání přístroje

Pokud stroj běží, nesmí být odstraňovány třísky nebo odštěpky.

Neustále dbát na to, aby byl kabel pro připojení k elektrické síti mimo dosah stroje. Kabel vést vždy směrem dozadu od stroje.

Při vrtání do zdi, stropu nebo podlahy dávat pozor na elektrické kabely, plynová a vodovodní potrubí.

Obrobek zabezpečte upínacím zařízením. Nezabezpečené obrobky mohou způsobit těžká poranění a poškození.

Před zahájením veškerých prací na stroji vytáhnout síťovou zástrčku ze zásuvky.

Při vrtání velkými průměry vrtáků musí být přední madlo v poloze kolmé k hlavnímu madlu. Viz. Obrazová část, oddíl "Natočení madla".

OBLAST VYUŽITÍ

Vrtačku lze použít k vrtání dřeva, kovu a umělé hmoty a ke šroubování.

Toto zařízení lze používat jen pro uvedený účel.

CE-PROHLÁŠENÍ O SHODĚ

Výhradně na vlastní zodpovědnost prohlašujeme, že se výrobek popsaný v "Technických údajích" shoduje se všemi relevantními předpisy směrnice 2011/65/EU (RoHS), 2014/30/ES, 2006/42/ES a s následujícími harmonizovanými normativními dokumenty:

EN 62841-1:2015

EN 62841-2-1:2018+A11:2019

EN 55014-1:2017+A11:2020

EN 55014-2:2015

EN 61000-3-2:2014

EN 61000-3-3:2013

EN IEC 63000:2018

Winnenden, 2020-11-05

Alexander Krug

Alexander Krug
Managing Director



Zplnomocněn k sestavování technických podkladů.

Techtronic Industries GmbH
Max-Eyth-Straße 10
71364 Winnenden
Germany

PŘIPOJENÍ NA SÍŤ

Ve venkovním prostředí musí být zásuvky vybaveny proudovým chráničem (FI, RCD, PRCD). Je to vyžadováno instalačním předpisem pro toto el.zařízení. Dodržujte ho při používání tohoto nářadí, prosím.

Připojit pouze do jednofázové střídavé sítě o napětí uvedeném na štítku. Lze připojit i do zásuvky bez ochranného kontaktu neboť spotřebič je třídy II.

Přívodní kabel zapojit do zásuvky jen při vypnutém stroji.

ÚDRŽBA

Větrací štěrby nářadí udržujeme stále čisté.

Doporučuje se také pravidelné používání čistícího spreje na upínací čelisti a na otvory upínacích čelistí.

Pokud je připojovací kabel elektrického přístroje poškozený, musí být nahrazený speciálně upraveným připojovacím kabelem, který je možné získat prostřednictvím firmy poskytující servis pro zákazníky.

Používejte výhradně náhradní díly a příslušenství Milwaukee. Díly, jejichž výměna nebyla popsána, nechávejte vyměnit v odborném servisu Milwaukee. (Viz záruční list.)

Při potřebě podrobného rozkresu konstrukce, oslovte informaci o typu a čísle přímo servis a nebo výrobce, Techtronic Industries GmbH, Max-Eyth-Straße 10, 71364 Winnenden, Germany.

SYMBOLY	
	POZOR! VAROVÁNÍ! NEBEZPEČÍ!
	Před zahájením veškerých prací na stroji vytáhnout síťovou zástrčku ze zásuvky.
	Před spuštěním stroje si pečlivě přečtěte návod k používání.
	Příslušenství není součástí dodávky, viz program příslušenství.
	Elektrické přístroje se nesmí likvidovat společně s odpadem z domácnosti. Elektrické a elektronické přístroje je třeba sbírat odděleně a odevzdat je v recyklačním podniku na ekologickou likvidaci. Na místních úřadech nebo u vašeho specializovaného prodejce se informujte na recyklační podniky a sběrné dvory.
	Elektrický přístroj s třídou ochrany II. Elektrický přístroj, u kterého ochrana před zásahem el. proudem závisí nejen na základní izolaci, ale i na tom, že budou použita také doplňková ochranná opatření, jakými jsou dvojitá izolace nebo zesílená izolace. Neexistuje žádné zařízení pro připojení ochranného vodiče.
	Volnoběžné otáčky
	Napájení V~
	Střídavý proud
	Značka shody v Evropě
	Značka shody v Británii
	Značka shody na Ukrajině
	Značka shody pro oblast Eurasie

TECHNICKÉ ÚDAJE	VRTAČKA	HDE 13 RQX	HDE 10 RQX	HDE 6 RQ
Výrobné číslo.....	3844 92 05.....	3845 23 05.....	7520 27 05.....	
	...000001-999999	...000001-999999	...000001-999999	
Menovitý príkon.....	950 W	725 W	725 W	
Výkon.....	475 W	362 W	362 W	
Otáčky naprázdno.....	0-900 min ⁻¹	0-1200 min ⁻¹	0-4200 min ⁻¹	
Max. otáčky pri záťaži.....	0-550 min ⁻¹	0-795 min ⁻¹	0-2680 min ⁻¹	
Priemer vrtu do ocele.....	13 mm	10 mm	6 mm	
Priemer vrtu do mäkkého dreva.....	38 mm	30 mm	16 mm	
Priemer vrtu do hliníku.....	20 mm	13 mm	8 mm	
Upínací rozsah skľučovadla.....	1,5-13 mm	1,0-10 mm	1,0-10 mm	
Vítacie vreteno.....	1/2"x20	1/2"x20	3/8"x24	
Hmotnosť podľa vykonávacieho predpisu EPTA 01/2014.....	2,0 kg	1,9 kg	1,4 kg	

Informácia o hluku

Namerané hodnoty určené v súlade s EN 62841.

V triede A posudzovaná hladina hluku prístroja činí typicky:

Hladina akustického tlaku (Kolísavosť K=3dB(A))..... 99 dB (A)..... 99 dB (A)..... 99 dB (A)

Hladina akustického výkonu (Kolísavosť K=3dB(A))..... 110 dB (A)..... 110 dB (A)..... 110 dB (A)

Používajte ochranu sluchu!

Informácie o vibráciách

Celkové hodnoty vibrácií (vektorový súčet troch smerov) zistených zmysle EN 62841.

Hodnota vibračných emisií a_w..... 5,4 m/s²..... 2,7 m/s²..... 6,8 m/s²

Kolísavosť K=..... 1,5 m/s²..... 1,5 m/s²..... 1,5 m/s²

POZOR

Úroveň vibrácií uvedená v týchto pokynoch bola nameraná meracou metódou, ktorú stanovuje norma EN 62841 a je možné ju použiť na vzájomné porovnanie elektrických náradia. Hodí sa aj na predbežné posúdenie kmitavého namáhania.

Uvedená úroveň vibrácií reprezentuje hlavné aplikácie elektrického náradia. Ak sa však elektrické náradie používa pre iné aplikácie, s odlišnými vloženými nástrojmi alebo s nedostatočnou údržbou, môže sa úroveň vibrácií líšiť. Toto môže kmitavé namáhanie v priebehu celej pracovnej doby podstatne zvýšiť.

Pre presný odhad kmitavého namáhania by sa mali tiež zohľadniť doby, v ktorých je náradie vypnuté alebo je sice v chode, ale v skutočnosti sa nepoužíva. Toto môže kmitavé namáhanie v priebehu celej pracovnej doby zreteľne redukovať.

Stanovte dodatočné bezpečnostné opatrenia pre ochranu obsluhy pred účinkami vibrácií, ako napríklad: údržba elektrického náradia a vložených nástrojov, udržiavanie teploty rúk, organizácia pracovných postupov.

VAROVANIE! Prečítajte si všetky výstražné upozornenia, pokyny, znázornenia a špecifikácie pre toto elektrické náradie. Zanedbanie pri dodržiavaní výstražných upozornení a pokynov uvedených v nasledujúcom texte môže mať za následok zásah elektrickým prúdom, spôsobiť požiar a/alebo ťažké poranenie. **Tieto výstražné upozornenia a bezpečnostné pokyny starostlivo uschovajte na budúce použitie.**

BEZPEČNOSTNÉ POKYNY PRE PRÁCU S VRTAČKOU

- **Používať vždy prídavnú rukoväť.** Strata kontroly nad strojom môže viesť k zraneniu.
- **Pred začiatkom práce podržte prístroj pevne za na to určenú rukoväť.** Tento prístroj vytvára vysoký výstupný krútiaci moment a keď sa počas prevádzky nedrží dobre pevne, mohli by ste stratiť nad ním kontrolu a poraniť sa.
- **Pri realizovaní prác, pri ktorých nástroj môže naraziť na skryté elektrické vedenie alebo na vlastný kábel, držte prístroj za izolované pridržovacie plošky.** Kontakt rezného nástroja s vedením pod napätím môže viesť k prenosu napätia na kovové časti prístroja a k úrazu elektrickým prúdom.

BEZPEČNOSTNÉ POKYNY NA POUŽITIE DLHÝCH VÝMENNÝCH NADSTAVCOV NA VRTANIE

- **Nikdy nepoužívajte vyššie otáčky ako maximálne otáčky, ktoré sú uvedené pre vrták.** Pri vyšších otáčkach sa môže vrták ohnúť, keď sa točí k obrobku bez kontaktu, čo môže viesť k zraneniam.
- **Prístroj vždy spúšťajte s nízkymi otáčkami a počas toho, ako sa vrták nachádza v kontakte s obrobkom.** Pri vyšších otáčkach sa môže vrták ohnúť, keď sa točí k obrobku bez kontaktu, čo môže viesť k zraneniam.

- **Tlak vyvíjajte vždy iba v priamom nasmerovaní k vrtáku a prístroj nepritlačajte príliš pevne.** Vrtáky sa môžu ohnúť a zlomiť alebo môžu viesť k strate kontroly nad prístrojom, čím môže znova dôjsť k zraneniam.

ĎALŠIE BEZPEČNOSTNÉ A PRACOVNÉ POKYNY

Použite ochranné vybavenie. Pri práci s elektrickým náradím používajte vždy ochranné okuliare. Doporučujeme taktiež použitie súčastí ochranného odevu a ochranné obuvi, ako sú protiprašná maska, ochranné rukavice, pevná a nekľzajúca obuv, ochranná prilba a ochrana sluchu.

Prach vznikajúci pri práci môže byť škodlivý zdraviu. Pri práci nosiť vhodnú ochrannú masku, aby sa nedostal do ľudského organizmu. Nesmú sa opracovávať materiály, ktoré môžu spôsobiť ohrozenie zdravia (napr. azbest)

Pri zablokovaní nasadeného nástroja prístroj okamžite vypnite! Prístroj nezapínajte, pokiaľ je nasadený nástroj zablokovaný; mohol by pri tom vzniknúť spätný náraz s vysokým reakčným momentom. Príčinu zablokovania nasadeného nástroja zistíte a odstránite so zohľadnením bezpečnostných pokynov.

Možnými príčinami môžu byť:

- spriečenie v opracovávanom obrobku
- prelomenie opracovávaného materiálu
- preťaženie elektrického prístroja

Nezasahujte do bežiacieho stroja.

Nasadený nástroj sa počas používania môže rozhorúčiť.

POZOR! Nebezpečenstvo popálenia

- pri výmene nástroja
- pri odkladaní prístroja

Triesky alebo úlomky sa nesmú odstraňovať za chodu stroja.

Pripojovací kábel držte mimo pracovnej oblasti stroja. Kábel smerujte vždy smerom dozadu od stroja.

Pri práci v stene, strope alebo v podlahe dávajte pozor na elektrické káble, plynové a vodovodné potrubia.

Obrobok zabezpečte upínacím zariadením. Nebezpečné obrobky môžu spôsobiť ťažké poranenia a poškodenia.

Pred každou prácou na stroji vyťahnite zástrčku zo zásuvky.

Pri veľkých priemeroch vrtania musí byť prídavná rukoväť upevnená kolmo na hlavnú rukoväť. Viď obrazovú časť, odsek "pootočiť rukoväť".

POUŽITIE PODĽA PREDPISOV

Vítačka je vhodná na vrtanie do dreva, kovu a plastu a na skrutkovanie.

Tento prístroj sa smie používať len v súlade s uvedenými predpismi.

CE - VYHLÁSENIE KONFORMITY

Výhradne na vlastnú zodpovednosť vyhlasujeme, že výrobok popísaný v "Technických údajoch" sa zhoduje so všetkými relevantnými predpismi smernice 2011/65/EU (RoHS), 2014/30/EU, 2006/42/EC a nasledujúcimi harmonizujúcimi normatívnymi dokumentmi:

EN 62841-1:2015

EN 62841-2-1:2018+A11:2019

EN 55014-1-2:2017+A11:2020

EN 55014-2:2015

EN 61000-3-2:2014

EN 61000-3-3:2013

EN IEC 63000:2018

Winnenden, 2020-11-05

Alexander Krug
Managing Director



Splnomocnený zostaviť technické podklady.

Techtronic Industries GmbH
Max-Eyth-Straße 10
71364 Winnenden
Germany

SIETOVÁ PRÍPOJKA

Zásuvky vo vonkajšom prostredí musia byť vybavené ochranným spínačom proti prudovým nárazom (FI, RCD, PRCD). Toto je inštalčný predpis na Vaše elektrické zariadenie. Venujte prosím tomuto pozornosť pri používaní nášho prístroja.

Pripájajú len na jednofázový striedavý prúd a na sieťové napätie uvedené na štítku. Pripojenie je možné aj do zásuviek bez ochranného kontaktu, pretože ide o konštrukciu ochrannej triedy II. Do zásuvky pripájajú len vypnutý prístroj.

ÚDRZBA

Vetracie otvory udržiavať stále v čistote.

Odpodruča sa pravidelná aplikácia čistiaceho spreju na upínacie čeluste a na vrtania upínacích čelustí.

Ak je prípojný kábel elektrického prístroja poškodený, tak musí byť nahradený špeciálne upraveným prípojným káblom, ktorý je možné získať prostredníctvom organizácie servisu pre zákazníkov.

Používať len Milwaukee príslušenstvo a náhradné diely. Súčiastky bez návodu na výmenu treba dat vymeniť v jednom z Milwaukee zákazníckych centier (viď brožúru Záruka/Adresy zákazníckych centier).

Pri udaní typu stroja a čísla nachádzajúceho sa na štítku dá sa v prípade potreby vyžadovať explóziívna schéma prístroja od vášho zákazníckeho centra alebo priamo v Techtronic Industries GmbH, Max-Eyth-Straße 10, 71364 Winnenden, Germany.

SYMBOLY



POZOR! NEBEZPEČENSTVO!



Pred každou prácou na stroji vyťahnite zástrčku zo zásuvky.



Pred prvým použitím prístroja si pozorne prečítajte návod na obsluhu.



Príslušenstvo - nie je súčasťou štandardnej výbavy, odporúčané doplnenie z programu príslušenstva.



Elektrické prístroje sa nesmú likvidovať spolu s odpadom z domácností. Elektrické a elektronické prístroje treba zbierať oddelene a odovzdať ich v recyklačnom podniku na ekologickú likvidáciu. Na miestnych úradoch alebo u vášho špecializovaného predajcu sa spýtajte na recyklačné podniky a zberné dvory.



Elektrický prístroj triedy ochrany II. Elektrický prístroj, pri ktorom ochrana pred zásahom el. prúdom závisí nie len od základnej izolácie, ale aj od toho, že budú použité aj doplnkové ochranné opatrenia, akými sú dvojité izolácia alebo zosilnená izolácia. Neexistuje žiadne zariadenie na pripojenie ochranného vodiča.



n₀ Otáčky naprázdno



V Napätie



~ Striedavý prúd



CE Značka zhody v Európe



UKCA Značka zhody v Británii



Ukraine Značka zhody na Ukrajine



Eurasia Značka zhody pre oblasť Eurázie

DANE TECHNICZNE	WIERTARKA	HDE 13 RQX	HDE 10 RQX	HDE 6 RQ
Numer produkcyjny.....	3844 92 05.....	3845 23 05.....	7520 27 05.....
	...00001-999999	...00001-999999	...00001-999999
Znamionowa moc wyjściowa.....	950 W	725 W	725 W
Moc wyjściowa.....	475 W	362 W	362 W
Prędkość bez obciążenia.....	0-900 min ⁻¹	0-1200 min ⁻¹	0-4200 min ⁻¹
Maksymalna prędkość obrotowa pod obciążeniem.....	0-550 min ⁻¹	0-795 min ⁻¹	0-2680 min ⁻¹
Zdolność wiercenia w stali.....	13 mm.....	10 mm.....	6 mm.....
Zdolność wiercenia w drewno miękkie.....	38 mm.....	30 mm.....	16 mm.....
Zdolność wiercenia w aluminium.....	20 mm.....	13 mm.....	8 mm.....
Zakres otwarcia uchwytu wiertarskiego.....	1,5-13 mm.....	1,0-10 mm.....	1,0-10 mm.....
Chwył napędu.....	1/2"x20	1/2"x20	3/8"x24
Ciężar wg procedury EPTA 01/2014.....	2,0 kg.....	1,9 kg.....	1,4 kg.....

Informacja dotycząca szumów

Zmierzone wartości wyznaczono zgodnie z normą EN 62841.

Poziom szumów urządzenia oszacowany jako A wynosi typowo:

Poziom ciśnienia akustycznego (Niepewność K=3dB(A)).....

Poziom mocy akustycznej (Niepewność K=3dB(A))..... 99 dB (A)..... 99 dB (A)..... 99 dB (A)

Należy używać ochraniaczy uszu!..... 110 dB (A)..... 110 dB (A)..... 110 dB (A)

Informacje dotyczące wibracji

Wartości łączne drgań (suma wektorowa trzech kierunków)

wyznaczone zgodnie z normą EN 62841

Wartość emisji drgań a.....

Niepewność K=..... 5,4 m/s²..... 2,7 m/s²..... 6,8 m/s²

OSTRZEŻENIE..... 1,5 m/s²..... 1,5 m/s²..... 1,5 m/s²

Podany w niniejszych instrukcjach poziom drgań został zmierzony za pomocą metody pomiarowej zgodnej z normą EN 62841 i może być użyty do porównania ze sobą elektronarzędzi. Nadaje się on również do tymczasowej oceny obciążenia wibracyjnego.

Podany poziom drgań reprezentuje główne zastosowania elektronarzędzia. Jeśli jednakże elektronarzędzie użyte zostanie do innych celów z innymi narzędziami roboczymi lub nie jest dostatecznie konserwowane, wtedy poziom drgań może wykazywać odchylenia. Może to wyraźnie zwiększyć obciążenie wibracjami przy całym okresie pracy.

Dla dokładnego określenia obciążenia wibracjami pracującemu należy uwzględnić również czasy, w których urządzenie jest wyłączone względnie jest włączone, lecz w rzeczywistości nie pracuje. Może to spowodować wyraźną redukcję obciążenia wibracyjnego w całym okresie pracy.

Należy wprowadzić dodatkowe środki zapobiegawcze celem ochrony obsługującego przed oddziaływaniem drgań, jak na przykład: konserwacja narzędzi roboczych i elektronarzędzi, nagrzanie rąk, organizacja przebiegu pracy.

OSTRZEŻENIE! Należy przeczytać wszystkie wskazówki bezpieczeństwa, instrukcje, opisy i specyfikacje dotyczące tego elektronarzędzia. Zaniedbania w przestrzeganiu poniższych wskazówek mogą spowodować porażenie prądem, pożar i/lub ciężkie obrażenia ciała.

Należy starannie przechowywać wszystkie przepisy i wskazówki bezpieczeństwa dla dalszego zastosowania.

WSKAZÓWKI BEZPIECZEŃSTWA DLA WIERTAREK

- Posługiwać się zawsze uchwytem dodatkowym. Utrata kontroli może spowodować obrażenia.
- Przed rozpoczęciem pracy narzędzie należy chwycić pewnie za odpowiedni uchwyt. Niniejsze narzędzie wytwarza wysoki zdawczy moment obrotowy i w przypadku, gdy użytkownik będzie trzymał je niepewnie w trakcie pracy, może utracić nad nim kontrolę i doznać obrażeń.
- Trzymaj urządzenie za izolowane powierzchnie chwytnie gdy wykonujesz roboty, w trakcie których narzędzie skrawające może natrafić na ukryte przewody prądowe lub na własny kabel. Styczność narzędzia skrawającego z będącym pod napięciem przewodem może spowodować podłączenie części metalowych urządzenia do napięcia i prowadzić do porażenia prądem elektrycznym.

WSKAZÓWKI BEZPIECZEŃSTWA DOTYCZĄCE STOSOWANIA DŁUGICH WIERTEŁ

- Nigdy nie należy przekraczać maksymalnej liczby obrotów podanej dla danego wiertła. W przypadku wysokich obrotów może dojść do wygięcia wiertła w momencie jego kontaktu z obrabianym elementem, co może doprowadzić do obrażeń.
- Należy zawsze zaczynać od niskich obrotów i pracować na nich w momencie kontaktu wiertła z obrabianym elementem. W przypadku wysokich obrotów może dojść do wygięcia wiertła w momencie jego kontaktu z obrabianym elementem, co może doprowadzić do obrażeń.

- Zawsze należy naciskać tylko w bezpośrednim kierunku na wiertło i nie używać przy tym nadmiernej siły. Może dojść do wygięcia i złamania wiertła lub do utraty kontroli nad narzędziem, co może natomiast doprowadzić do obrażeń.

DODATKOWE WSKAZÓWKI BEZPIECZEŃSTWA I INSTRUKCJE ROBOCZE

Stosować wyposażenie ochronne. Przy pracy maszyną zawsze nosić okulary ochronne. Zalecana jest odzież ochronna, jak maska pyłochronna, rękawice ochronne, mocne i chroniące przed poślizgiem obuwie, kask i ochronniki słuchu.

Kurz powstający przy pracy z tym elektronarzędziem może być szkodliwy dla zdrowia, w związku z tym nie powinien dotrzeć do ciała. Nosić odpowiednią maskę przeciwpyłową.

Nie wolno obrabiać materiałów, które mogą być przyczyną zagrożenia zdrowia (na przykład azbestu).

W przypadku zablokowania narzędzia nasadzanego należy natychmiast wyłączyć urządzenie! Nie należy ponownie włączać urządzenia tak długo, jak długo narzędzie nasadzone jest zablokowane; przy tym mógłby powstać odrzut zwrotny o dużym momencie reakcyjnym. Należy wykręcić i usunąć przyczynę zablokowania narzędzia nasadzanego uwzględniając wskazówki dotyczące bezpieczeństwa.

Możliwymi przyczynami tego mogą być:

- Skośne ustawienie się w poddawany obróbcie przedmiocie obrabianym
- Przerwanie materiału poddawanego obróbcie
- Przeciążenie narzędzia elektrycznego

Nie należy sięgać do wnętrza maszyny będącej w ruchu.

Narzędzie nasadzone może w trakcie użytkowania stać się gorące. **OSTRZEŻENIE!** Niebezpieczeństwo oparzenia się

- przy wymianie narzędzia
- przy odstawianiu urządzenia

Podczas pracy elektronarzędzia nie wolno usuwać trocin ani drzazg.

Kabel zasilający nie może znajdować się w obszarze roboczym elektronarzędzia. Powinien on się zawsze znajdować się za operatorem.

Podczas pracy przy ścianach, sufitach i podłodze należy uważać na kable elektryczne, przewody gazowe i wodociągowe.

Należy zabezpieczyć przedmiot poddawany obróbcie za pomocą urządzeń mocujących. Niezabezpieczone przedmioty poddawane obróbce mogą spowodować ciężkie obrażenia ciała i uszkodzenia.

Przed przystąpieniem do jakichkolwiek prac związanych z elektronarzędziem należy wyjąć wtyczkę z gniazdka.

Przy pracy z wiertłami o dużych średnicach uchwyt pomocniczy należy zamocować pod kątem prostym w stosunku do uchwytu głównego (patrz ilustracja, rozdział "Obrót uchwytu").

WARUNKI UŻYTKOWANIA

Wiertarka nadaje się do wiercenia w drewnie, metalu i tworzywach sztucznych, jak również do wkręcania.

Produkt można użytkować wyłącznie zgodnie z jego normalnym przeznaczeniem.

DEKLARACJA ZGODNOŚCI CE

Oświadczamy na naszą wyłączną odpowiedzialność, że produkt opisany w punkcie "Dane techniczne" jest zgodny ze wszystkimi istotnymi przepisami Dyrektywy 2011/65/EU (RoHS), 2014/30/UE, 2006/42/WE oraz z następującymi zharmonizowanymi dokumentami normatywnymi:

EN 62841-1:2015
EN 62841-2-1:2018+A11:2019
EN 55014-1:2017+A11:2020
EN 55014-2:2015
EN 61000-3-2:2014
EN 61000-3-3:2013
EN IEC 63000:2018

Winnenden, 2020-11-05

Alexander Krug

Alexander Krug
Managing Director



Upelnomocniony do zestawienia danych technicznych

Techtronic Industries GmbH
Max-Eyth-Straße 10
71364 Winnenden
Germany

PODŁĄCZENIE DO SIECI

Urządzenia pracujące w wielu różnych miejscach, w tym poza pomieszczeniami zamkniętymi, należy podłączyć poprzez ochronny (FI, RCD, PRCD) wyłącznik udarowy.

Podłączyć tylko do źródła zasilania prądem zmiennym jednofazowym i wyłącznie o napięciu podanym na tabliczce znamionowej. Możliwe jest również podłączenie do gniazdka bez uziemienia, ponieważ konstrukcja odpowiada II klasie bezpieczeństwa.

Przed włożeniem wtyczki do gniazdka upewnić się, czy urządzenie jest wyłączone.

UTRZYMANIE I KONSERWACJA

Otwory wentylacyjne elektronarzędzia muszą być zawsze drożne. Zaleca się regularne czyszczenie szczęk zaciskowych i usuwanie wiórów wiertarskich przy pomocy środka czyszczącego.

W przypadku uszkodzenia przewodu podłączeniowego elektronarzędzia, należy go zastąpić specjalnie przygotowanym przewodem podłączeniowym, który można nabyć w sieci serwisowej.

Należy stosować wyłącznie wyposażenie dodatkowe i części zamienne Milwaukee. W przypadku konieczności wymiany części, dla których nie podano opisu, należy skontaktować się z

przedstawicielami serwisu Milwaukee (patrz lista punktów obsługi gwarancyjnej/serwisowej).

Na życzenie można otrzymać rysunek widoku zespołu rozebranego. Przy zamawianiu należy podać numer oraz typ elektronarzędzia umieszczonego na tabliczce znamionowej. Zamówienia można dokonać albo u lokalnych przedstawicieli serwisu, albo bezpośrednio w Techtronic Industries GmbH, Max-Eyth-Straße 10, 71364 Winnenden, Germany.

SYMBOLS

	UWAGA! OSTRZEŻENIE NIEBEZPIECZEŃSTWO!
	Przed przystąpieniem do jakichkolwiek prac związanych z elektronarzędziem należy wyjąć wtyczkę z gniazdka.
	Przed uruchomieniem elektronarzędzia zapoznać się uważnie z treścią instrukcji.
	Wyposażenie dodatkowe dostępne osobno.
	Urządzenia elektryczne nie mogą być usuwane razem z odpadami pochodzącymi z gospodarstw domowych. Urządzenia elektryczne i elektroniczne należy gromadzić oddzielnie i w celu usuwania ich do odpadów zgodnie z wymaganiami środowiska naturalnego oddawać do przedsiębiorstwa utylizacyjnego. Proszę zasięgnąć informacji o centrach recyklingowych i punktach zbiorczych u władz lokalnych lub u wyspecjalizowanego dostawcy.
	Elektronarzędzie klasy ochrony II. Elektronarzędzie, w którym zabezpieczenie przed porażeniem prądowym zależy nie tylko od izolacji podstawowej, lecz również od tego, czy zostały zastosowane dodatkowe środki ochrony, takie jak: izolacja podwójna lub izolacja wzmocniona. Nie ma żadnego urządzenia do podłączenia przewodu ochronnego.
n_0	Prędkość bez obciążenia
V	Napięcie V~
	Prąd przemienny
	Europejski Certyfikat Zgodności
	Brytyjski Certyfikat Zgodności
	Ukraiński Certyfikat Zgodności
	Euroazjatycki Certyfikat Zgodności

MŰSZAKI ADATOK	FŰRŐGÉP	HDE 13 RQX	HDE 10 RQX	HDE 6 RQ
Gyártási szám.....	3844 92 05.....	3845 23 05.....	7520 27 05.....	
	...000001-999999	...000001-999999	...000001-999999	
Névleges teljesítményfelvétel.....	950 W	725 W	725 W	
Leadott teljesítmény.....	475 W	362 W	362 W	
Üresjárat fordulatszám.....	0-900 min ⁻¹	0-1200 min ⁻¹	0-4200 min ⁻¹	
Fordulatszám terhelés alatt max.....	0-550 min ⁻¹	0-795 min ⁻¹	0-2680 min ⁻¹	
Furat-Ø acélba.....	13 mm	10 mm	6 mm	
Furat-Ø puhafa.....	38 mm	30 mm	16 mm	
Furat-Ø alumínium.....	20 mm	13 mm	8 mm	
Befogási tartomány.....	1,5-13 mm	1,0-10 mm	1,0-10 mm	
Fűrőtengely.....	1/2"x20	1/2"x20	3/8"x24	
Súly a 01/2014 EPTA-eljárás szerint.....	2,0 kg	1,9 kg	1,4 kg	

Zajinformáció

A közölt értékek megfelelnek az EN 62841 szabványnak.

A készülék munkahelyi zajszintje tipikusan:

Hangnyomás szint (K bizonytalanság=3dB(A))..... 99 dB (A)..... 99 dB (A)..... 99 dB (A)

Hangteljesítmény szint (K bizonytalanság=3dB(A))..... 110 dB (A)..... 110 dB (A)..... 110 dB (A)

Hallásvédő eszköz használata ajánlott!

Vibráció-információk

Összesített rezgésértékek (három irány vektorális összeg az EN

62841-nek megfelelően meghatározva.

ah rezgésemisszió érték..... 5,4 m/s²..... 2,7 m/s²..... 6,8 m/s²

K bizonytalanság..... 1,5 m/s²..... 1,5 m/s²..... 1,5 m/s²

FIGYELMEZTETÉS

A jelen utasításokban megadott rezgésszint értéke az EN 62841-ben szabályozott mérési eljárásnak megfelelően került lemérésre, és használható elektromos szerszámokkal történő összehasonlításhoz. Az érték alkalmas a rezgésterhelés előzetes megbecsülésére is.

A megadott rezgésszint-érték az elektromos szerszám legfőbb alkalmazásait reprezentálja. Ha az elektromos szerszámot azonban más alkalmazásokhoz, eltérő használt szerszámokkal vagy nem elegendő karbantartással használják, a rezgésszint értéke eltérő lehet. Ez jelentősen megnövelheti a rezgésterhelést a munkavégzés teljes időtartama alatt.

A rezgésterhelés pontos megbecsüléséhez azokat az időket is figyelembe kell venni, melyekben a készülék lekapcsolódik, vagy ugyan működik, azonban ténylegesen nincs használatban. Ez jelentősen csökkentheti a rezgésterhelést a munkavégzés teljes időtartama alatt.

Határozzon meg további biztonsági intézkedéseket a kezelő védelmére a rezgések hatása ellen, például: az elektromos és a használt szerszámok karbantartásával, a kezek melegen tartásával, a munkafolyamatok megszervezésével.

▲ FIGYELMEZTETÉS! Olvassa el az elektromos kéziszerszámra vonatkozó összes biztonsági útmutatást, utasítást, ábrát és specifikációt. A következőkben leírt utasítások betartásának elmulasztása áramütésekhez, tűzhöz és/vagy súlyos testi sérülésekhez vezethet. **Kérjük a későbbi használatra gondosan őrizze meg ezeket az előírásokat.**

▲ BIZTONSÁGI ÚTMUTATÁSOK FŰRŐGÉPEKHEZ

• A készüléket a segédfogantyúval együtt kell használni. A készülék fölötti ellenőrzés elvesztése sérüléseket okozhat.

• A munka megkezdése előtt erősen fogja meg a készüléket az e célra kialakított markolatnál. Ez a készülék magas meghúzási nyomatékokat hoz létre, és ha használat közben nem tartja erősen a készüléket, elveszítheti felette a kontrollt és megsérülhet.

• A készüléket a szigetelt markolatfelületeket fogva tartsa, ha olyan munkálatokat végez, melyeknél a vágószerszám rejtelem elektromos vezetékbe vagy saját vezetékbe ütközhet.

A vágószerszám feszültségvezető vezetékkel való érintkezésekor a készülék fém részei is feszültség alá kerülhetnek, és elektromos áramütés következhet be.

BIZTONSÁGI ÚTMUTATÁSOK HOSSZÚ FŰRŐSZÁRAK HASZNÁLATAHOZ

• **Soha ne alkalmazzon a fűrőszárhoz megadott maximálisnál magasabb fordulatszámot.** Magasabb fordulatszámnál a fűrőszár elgörbülhet, ha úgy forog, hogy közben nem ér hozzá a munkadarabhoz, ami sérülésekhez vezethet.

• **Mindig alacsony fordulatszámmal kezdjen és úgy, hogy a fűrőszár közben hozzáérjen a munkadarabhoz.** Magasabb fordulatszámmal a fűrőszár elgörbülhet, ha úgy forog, hogy közben nem ér hozzá a munkadarabhoz, ami sérülésekhez vezethet.

• **Mindig a fűrőszár közvetlen irányában gyakoroljon nyomást és ne nyomja túl erősen a készüléket.** A fűrőszárak elgörbülhetnek és eltörhetnek, vagy a készülék kontrollálhatatlanná válhat, ami szintén sérüléseket okozhat.

TOVÁBBI BIZTONSÁGI ÉS MUNKAÉVÉZÉSI UTASÍTÁSOK

Használjon védőfelszerelést! Ha a gépen dolgozik, mindig hordjon védőszemüveget! Javasoljuk a védőruházat, úgymint porvédő maszk, védőcipő, erős és csúszásbiztos lábbeli, sisak és hallásvédő használatát.

A munka során keletkező por gyakran egészségre káros, ezért ne kerüljön a szervezetbe. Hordjon e célra alkalmas porvédőmaszkot.

Nem szabad olyan anyagokat megmunkálni, amelyek egészségre veszélyesek (pl. azbesztet).

A betétszerszám elakadásakor azonnal ki kell kapcsolni a készüléket! Addig ne kapcsolja vissza a készüléket, amíg a betétszerszám elakadása fennáll; ennek során nagy ellennyomatékú visszarúgás történhet. Határozza és szüntesse meg a betétszerszám elakadásának okát a biztonsági útmutatások betartása mellett.

Ennek következők lehetnek az okai:

- a szerszám elakad a megmunkálandó munkadarabban
- a megmunkálandó anyag átszakadt
- az elektromos szerszám túlterhelése

Ne nyúljon a járó gépbe.

A betétszerszám az alkalmazás során felforrósodhat.

FIGYELMEZTETÉS! Egési sérülések veszélye

- szerszámcserékor
- a készülék lerakásakor

A munka közben keletkezett forgácsokat, szilánkokat, törmelékét, stb. csak a készülék teljes leállása után szabad a munkaterületről eltávolítani.

Munka közben a hálózati csatlakozókábelt a sérülés elkerülése érdekében a munkaterületről, illetve a készüléktől távol kell tartani.

Falban, földben, aljzatban történő fűrésznél fokozottan ügyelni kell az elektromos-, víz- és gázvezetésekre.

Biztosítsa a munkadarabot befogó szerkezettel. A nem biztosított munkadarabok súlyos sérüléseket és károkat okozhatnak.

Bármilyen jellegű karbantartás vagy javítás előtt a készüléket áramtalanítani kell.

Ha nagy átmérőjű fűrőval dolgozik a segédfogantyút a megfelelő szögbe kell állítani a főfogantyúhoz viszonyítva. (Lásd az illusztrációk fejezetben: "a fogantyú beállítása").

RENDELTESSZERŰ HASZNÁLAT

A fűrőgép fa, fém és műanyag fűrészához, valamint csavarozáshoz használható.

A készüléket kizárólag az alábbiakban leírtaknak megfelelően szabad használni.

CE-AZONOSSÁGI NYILATKOZAT

Egyedüli felelősséggel kijelentjük, hogy a "Műszaki Adatok" alatt leírt termék a 2011/65/EU (RoHS), 2014/30/EU, 2006/42/EK irányelvek minden releváns előírásának, ill. az alábbi harmonizált normatív dokumentumoknak megfelel:

EN 62841-1:2015

EN 62841-2-1:2018+A11:2019

EN 55014-1:2017+A11:2020

EN 55014-2:2015

EN 61000-3-2:2014

EN 61000-3-3:2013

EN IEC 63000:2018

Winnenden, 2020-11-05

Alexander Krug

Alexander Krug
Managing Director



Műszaki dokumentáció összeállításra felhatalmazva

Techtronic Industries GmbH

Max-Eyth-Straße 10

71364 Winnenden

Germany

HÁLÓZATI CSATLAKOZTATÁS

Szabadban a dugaljat hibaáram-védőkapcsolóval kell ellátni. Az elektromos készülékek üzembelvezési útmutatása ezt kötelezően előírja (FI, RCD, PRCD). Ügyeljen erre az elektromos kéziszerszámok használatakor is.

A készüléket csak egyfázisú váltóáramra és a teljesítménytáblán megadott hálózati feszültségre csatlakoztassa. A csatlakoztatás védőérintkező nélküli dugaszolóaljzatokra is lehetséges, mivel a készülék felépítése II. védettségi osztályú.

Mielőtt áram alá helyezi a gépet, győződjön meg róla, hogy a gép ki van kapcsolva.

KARBANTARTÁS

A készülék szellőzőnyílásait mindig tisztán kell tartani.

Tisztítóspray rendszeres használata a fészítőpofák és furataik tisztításához ajánlott.

Ha az elektromos szerszám tápkábele sérült, úgy speciálisan előkészített tápkábelre kell cserélni, amely a vevőszolgáltatón keresztül szerezhető be.

Javításhoz, karbantartáshoz kizárólag Milwaukee alkatrészeket és tartozékokat szabad használni. A készülék azon részeinek cseréjét, amit a kezelési útmutató nem engedélyez, kizárólag a javításra feljogosított márkaszerviz végezheti. (Lásd a szervizlistát)

Szükség esetén a készülékek robbantott ábráját - a készülék típusa és azonosító száma alapján a területileg illetékes Milwaukee márkaszerviztől vagy közvetlenül a gyártótól (Techtronic Industries GmbH, Max-Eyth-Straße 10, 71364 Winnenden, Germany) lehet kérni.

SZIMBÓLUMOK



FIGYELEM! FIGYELMEZTETÉS! VESZÉLY!



Bármilyen jellegű karbantartás vagy javítás előtt a készüléket áramtalanítani kell.



Kérjük alaposan olvassa el a tájékoztatót mielőtt a gépet használja.



Azokat a tartozékokat, amelyek gyárilag nincsenek a készülékhez mellékelve, külön lehet megrendelni.



Az elektromos eszközöket nem szabad a háztartási hulladékkal együtt ártalmatlanítani. Az elektromos és elektronikus eszközöket szelektíven kell gyűjteni, és azokat környezetbarát ártalmatlanítás céljából hulladékhasznosító üzemben kell leadni. A helyi hatóságoknál vagy szakkereskedőjénél tájékozódjon a hulladékudvarokról és gyűjtőhelyekről.



II. védelmi osztályú elektromos szerszám. Olyan elektromos szerszám, amelynél az elektromos áramtűrés elleni védelem nem csak az alapszigeteléstől függ, hanem amelyben kiegészítő védőintézkedéseket, mint pl. kettős szigetelés vagy megerősített szigetelés, alkalmaznak. Nincs lehetőségre védőérintkező csatlakoztatására.



Üresjárat fordulatszám



Volt AC



Európai megfelelőségi jelölés



Egyesült királyságbeli megfelelőségi jelölés



Ukrán megfelelőségi jelölés



Eurázsiai megfelelőségi jelölés

TEHNIČNI PODATKI	ROTACIJSKI VRTALNIKI	HDE 13 RQX	HDE 10 RQX	HDE 6 RQ
Proizvodna številka.....	3844 92 05.....	3845 23 05.....	7520 27 05.....	
	...000001-999999	...000001-999999	...000001-999999	
Nazivna sprejemna moč.....	950 W	725 W	725 W	
Oddajna zmogljivost.....	475 W	362 W	362 W	
Število vrtljajev v prostem teku.....	0-900 min ⁻¹	0-1200 min ⁻¹	0-4200 min ⁻¹	
Število vrtljajev pri obremenitvi maks.....	0-550 min ⁻¹	0-795 min ⁻¹	0-2680 min ⁻¹	
Vrtalni ø v jeklu.....	13 mm	10 mm	6 mm	
Vrtalni ø v mehkem lesu.....	38 mm	30 mm	16 mm	
Vrtalni ø v aluminiju.....	20 mm	13 mm	8 mm	
Napenjalno področje vpenjalne glave.....	1,5-13 mm	1,0-10 mm	1,0-10 mm	
Vrtalno vreteno.....	1/2"x20	1/2"x20	3/8"x24	
Teža po EPTA-proceduri 01/2014.....	2,0 kg	1,9 kg	1,4 kg	

Informacije o hrupnosti

Vrednosti merjenja ugotovljene ustrežno z EN 62841.

Raven hrupnosti naprave ovrednotena z A, znaša tipično:

Nivo zvočnega tlaka (Nevarnost K=3dB(A))..... 99 dB (A)..... 99 dB (A)..... 99 dB (A)

Višina zvočnega tlaka (Nevarnost K=3dB(A))..... 110 dB (A)..... 110 dB (A)..... 110 dB (A)

Nosite zaščito za sluh!

Informacije o vibracijah

Skupna vibracijska vrednost (Vektorska vsota treh smerdoločena

ustrezno EN 62841.

Vibracijska vrednost emisij a_w..... 5,4 m/s²..... 2,7 m/s²..... 6,8 m/s²

Nevarnost K=..... 1,5 m/s²..... 1,5 m/s²..... 1,5 m/s²

OPOZORILO

V teh navodilih navedena raven treslajev je bila izmerjena po EN 62841 normiranem merilnem postopku in lahko služi medsebojni primerjavi električnih orodij. Prav tako je primeren za predhodno oceno obremenitve s treslaji.

Navedena raven treslajev navaja najpomembnejše vrste rabe električnega orodja. Kadar se električno orodje uporablja za drugačne namene, z odstopajočimi orodji ali pa z nezadostnim vzdrževanjem, lahko raven treslajev tudi odstopa. Le to lahko čez celoten delovni čas znatno zviša obremenitev s tresenjem.

Za natančno oceno obremenitve s treslaji naj bi se upošteval tudi čas v katerem je naprava izklopljena ali sicer teče, vendar dejansko ni v rabi. Le to lahko obremenitev s treslaji čez celoten delovni čas znatno zmanjša.

Za zaščito upravitelja pred učinkom treslajev uvedite dodatne zaščitne ukrepe npr.: Vzdrževanje električnega orodja in orodja, delo s toplimi rokami, organizacija delovnih potekov.

⚠ OPOZORILO! Preberite vsa varnostna opozorila in navodila, prikaze in specifikacije tega električnega orodja. Zakasnelo upoštevanje sledečih navodil lahko povzroči električni udar, požar in/ali težke poškodbe. **Vsa opozorila in napotila shranite, ker jih boste v prihodnje še potrebovali.**

⚠ VARNOSTNI NAPOTKI ZA VRTALNI STROJ

- Vedno uporabljajte dodatni ročaj. Izguba kontrole lahko povzroči poškodbe.
- Pred uporabo ročaj orodja čvrsto oklenite z roko. To orodje proizvaja visok izhodni navor in če ga med delovanjem ne držite čvrsto, lahko izgubite nadzor in se poškodujete.
- Kadar izvajate dela pri katerih lahko orodje zadane prikrito električno napeljavo ali lasten vodnik, je napravo potrebno držati za izolirane prijemalne površine. Stik rezalnega orodja z napetostnim vodnikom napeljave lahko privede kovinske dele naprave pod napetost in vodi do električnega udara.

VARNOSTNA NAVODILA PRI UPORABI DOLGIH SVEDROV

- Nikoli ne uporabljajte višjo hitrostjo od največje hitrosti, ki je določena za sveder. Pri večjih hitrostih se lahko sveder upogne, ko se vrti brez stika z obdelovancem, kar lahko povzroči poškodbe.
- Vedno začnite vrtati z nizko hitrostjo in medtem, ko je sveder v stiku z obdelovancem. Pri večjih hitrostih se lahko sveder upogne, ko se vrti brez stika z obdelovancem, kar lahko povzroči poškodbe.
- Pritisk usmerite samo v direktni liniji s svedrom in ne pritiskajte premočno. Svedri se lahko upognejo, kar povzroči zlom ali izgubo nadzora ter osebne poškodbe.

NADALJNA VARNOSTNA IN DELOVNA OPOZORILO

Uporabite zaščitno opremo. Pri delu s strojem vedno nosite zaščitna očala. Priporočajo se zaščitna oblačila, kot npr. maska za zaščito proti prahu, zaščitne rokavice, trdno in neдрseče obuvalo, čelada in zaščita za sluh.

Prah, ki nastaja pri delu, je pogosto zdravju škodljiv in naj ne zaide v telo. Nosite ustrezno masko proti prahu.

Obdelava materialov, iz katerih izhaja ogroženost zdravja (npr. azbest), ni dovoljena.

V primeru blokade orodja napravo takoj izklopite! Napravo ponovno ne vklopljajte dokler je orodje blokirano; pri tem bi lahko prišlo do povratnega udara z velikim reakcijskim momentom. Ugotovite in odpravite vzroke blokade orodja ob upoštevanju varnostnih navodil.

Možni razlogi so lahko:

- Zagozditev v obdelovancu
- prežganje obdelovanega materiala
- Preobremenitev električnega orodja

Ne segajte v stroj v teku.

Orodje lahko med uporabo postane vroče.

OPOZORILO! Nevarnost opeklin

- pri menjavi orodja
- pri odlaganju naprave

Trske ali iveri se pri tekočem stroju ne smejo odstranjevati.

Vedno pazite, da se priključni kabel ne približa področju delovanja stroja. Kabel vedno vodite za strojem.

Pri delih na steni, stropu ali v tleh pazite na električne kable, plinske in vodne napeljave.

Obdelovanec zavarujte z vpenjalno pripravo. Nezavarovani obdelovanci lahko povzročijo težke poškodbe in okvare.

Pred vsemi deli na stroju izvlecite vtičaje iz vtičnice.

Pri velikih premerih vrtnice mora biti dodatni ročaj pritrjen pravokotno na glavni ročaj. Glej tudi slikovni del, odstavek "Obračanje ročaja".

UPORABA V SKLADU Z NAMEMBNOSTJO

Vrtalni stroj je uporaben za vrtnanje lesa, kovine in umetne mase ter za vijajenje.

Ta naprava se sme uporabiti samo v skladu z namembnostjo uporabiti samo za navede namene.

CE-IZJAVA O KONFORMNOSTI

V lastni odgovornosti izjavljamo, da se pod "Tehnični podatki" opisan proizvod ujema z vsemi relevantnimi predpisi smernice 2011/65/EU (RoHS), 2014/30/EU, 2006/42/ES in s sledečimi harmoniziranimi normativnimi dokumenti:

EN 62841-1:2015
EN 62841-2-1:2018+A11:2019
EN 55014-1:2017+A11:2020
EN 55014-2:2015
EN 61000-3-2:2014
EN 61000-3-3:2013
EN IEC 63000:2018

Winnenden, 2020-11-05

Alexander Krug

Alexander Krug
Managing Director



Pooblaščen za izdelavo spisov tehnične dokumentacije.

Techtronic Industries GmbH
Max-Eyth-Straße 10
71364 Winnenden
Germany

OMREŽNI PRIKLJUČEK

Vtičnice v zunanem področju morajo biti opremljene z zaščitnimi stikali za okvarni tok (FI, RCD, PRCD). To zahteva instalacijski predpis za vašo električno napravo. Prosimo, da to pri uporabi naše naprave upoštevate.

Priključite samo na enofazni izmenični tok in samo na omrežno napetost, ki je označena na tipski ploščici. Priključitev je možna tudi na vtičnice brez zaščitnega kontakta, ker obstaja nadgradnja zaščitnega razreda.

Napravo priklopite na vtičnico samo v izklopljenem stanju.

VZDRŽEVANJE

Pazite na to, da so prezačevalne reže stroja vedno čiste.

Priporočajo se redna uporaba čistilnega spreja na napenjalnih čeljustih in na vrtnah napenjalnih čeljusti.

V kolikor je priključna napeljava električnega orodja poškodovana, jo je potrebno nadomestiti s posebej pripravljeno priključno napeljavo, ki je dobavljiva preko servisne organizacije.

Uporabljajte samo Milwaukee pribor in nadomestne dele. Poskrbite, da sestavne dele, katerih zamenjava ni opisana, zamenjajo v Milwaukee servisni službi (upoštevajte brošuro Garancija/Naslovi servisnih služb).

Po potrebi se lahko pri vaši servisni službi ali direktno pri Techtronic Industries GmbH naroči eksplozijska risba naprave ob navedbi tipa stroja in številke s tipske ploščice Techtronic Industries GmbH, Max-Eyth-Straße 10, 71364 Winnenden, Germany.

SIMBOLI	
	POZOR! OPOZORILO! NEVARNO!
	Pred vsemi deli na stroju izvlecite vtičaje iz vtičnice.
	Prosimo, da pred uporabo pazorno preberete to navodilo za uporabo.
	Oprema – ni vsebovana v obsegu dobave, priporočeno dopolnilo iz programa opreme.
	Električnih naprav ni dovoljeno odstranjevati skupaj z gospodinjstvi odpadki. Električne in elektronske naprave je potrebno zbirati ločeno in za okolju prijazno odstranitev, oddati podjetju za reciklažo. Pri krajevem uradu ali vašem strokovnem prodajalcu se pozanimajte glede reciklažnih dvorišč in zbirnih mest.
	Električno orodje zaščitnega razreda II. Električno orodje, pri katerem zaščita pred električnim udarom ni odvisna zgolj od osnovne izolacije, temveč tudi od tega, da so uporabljeni dodatni ukrepi, kot dvojna ali okrepljena izolacija. Ni priprave za priključek zaščitnega vodnika.
n_p	Število vrtljajev v prostem teku
V	Napetost
	Izmenični tok
	Evropska oznaka za združljivost
	Britanska oznaka za združljivost
	Ukrajinska oznaka za združljivost
	Evrazijska oznaka za združljivost

TEHNIČKI PODACI	BUŠILICA	HDE 13 RQX	HDE 10 RQX	HDE 6 RQ
Broj proizvodnje.....	3844 92 05.....	3845 23 05.....	7520 27 05.....
	...000001-999999	...000001-999999	...000001-999999
Snaga nominalnog prijema.....	950 W	725 W	725 W
Predajni učinak.....	475 W	362 W	362 W
Broj okretaja praznog hoda.....	0-900 min ⁻¹	0-1200 min ⁻¹	0-4200 min ⁻¹
Broj okretaja pod opterećenjem.....	0-550 min ⁻¹	0-795 min ⁻¹	0-2680 min ⁻¹
Bušenje-Ø u čelik.....	13 mm.....	10 mm.....	6 mm.....
Bušenje-Ø u mekano drvo.....	38 mm.....	30 mm.....	16 mm.....
Bušenje-Ø u aluminijum.....	20 mm.....	13 mm.....	8 mm.....
Područje stezne glave za stezanje svrdla.....	1,5-13 mm.....	1,0-10 mm.....	1,0-10 mm.....
Vreteno za bušenje.....	1/2"x20.....	1/2"x20.....	3/8"x24.....
Težina po EPTA-proceduri 01/2014.....	2,0 kg.....	1,9 kg.....	1,4 kg.....

Informacije o buci

Mjerne vrijednosti utvrđene odgovarajuće EN 62841.

A-ocijenjeni nivo buke aparata iznosi tipično:

Nivo pritiska zvuka (Nesigurnost K=3dB(A))..... 99 dB (A)..... 99 dB (A)..... 99 dB (A)

Nivo učinka zvuka (Nesigurnost K=3dB(A))..... 110 dB (A)..... 110 dB (A)..... 110 dB (A)

Nositi zaštitu sluha!

Informacije o vibracijama

Ukupne vrijednosti vibracije (Vektor suma tri smjera odmjerene

odgovarajuće EN 62841

Vrijednost emisije vibracije a_w..... 5,4 m/s²..... 2,7 m/s²..... 6,8 m/s²

Nesigurnost K=..... 1,5 m/s²..... 1,5 m/s²..... 1,5 m/s²

UPOZORENIE

Ova u ovim uputama navedena razina titranja je bila izmjerena odgovarajuće jednom u EN 62841 normiranom mjernom postupku i može se upotrijebiti za usporedbu električnog alata međusobno. Ona je prikladna i za privremenu procjenu titrajnog opterećenja.

Navedena razina titranja reprezentira glavne primjene električnog alata. Ukoliko se električni alat upotrebljava u druge svrhe sa odstupajućim primijenjenim alatima ili nedovoljnim održavanjem, onda razina titranja može odstupati. To može titrajno opterećenje kroz cijeli period rada bitno povisiti.

Za točnu procjenu titrajnog opterećenja se moraju uzeti u obzir i vremena u kojima je uređaj isključen ili u kojima doduše radi, ali nije i stvarno u upotrebi. To može titrajno opterećenje bitno smanjiti za vrijeme cijelog radnog perioda.

Utvrđite dodatne sigurnosne mjere za zaštitu poslužioca protiv djelovanja titranja kao npr.: Održavanje električnih alata i upotrebljenih alata, održavanje topline ruku, organizacija i radne postupke.

UPOZORENIE! Treba pročitati sve napomene o sigurnosti, upute, prikaze i specifikacije za ovaj električni alat. Propusti kod pridržavanja sjedećih uputa može uzrokovati strujni udar, požar i/ili teške ozljede.

Sačuvajte sve napomene o sigurnosti i upute za buduću primjenu.

SIGURNOSNE UPUTE ZA BUŠILICE

- **Uvijek primijeniti dodatnu ručicu.** Gubitak kontrole može prouzročiti povrede.
- **Ovaj aparat držite prije početka rada čvrsto na za to predviđenom dršku.** Ovaj aparat proizvodi jedan visoki pogonski moment i ako ga za vrijeme pogona ne držite čvrsto, mogli bi izgubiti kontrolu nad njime i povrijediti se.
- **Držite spravu na izoliranim drvačkim površinama kada izvodite radove kod kojih rezački alat može pogoditi skrivene vodove struje ili osobni kabel.** Kontakt rezačkog alata sa vodovima koji sprovode naponm može metalne dijelove sprave dovesti pod napon i tako dovesti do električnog udara.

SIGURNOSNE UPUTE ZA UPORABU DUGIH SVRDLA

- **Nemojte nikada upotrijebiti veći broj okretaja nego što je maksimalni broj okretaja koji je naveden za umetak bušenja.** Kod većih brojeva okretaja se umetak za bušenje može presaviti ako se vrti bez kontakta s izratkom, što može dovesti do povreda.
- **Startajte uvijek s jednim niskim brojem okretaja i dok se umetak bušenja nalazi u kontaktu s izratkom.** Kod većih brojeva okretaja umetak bušenja se može presaviti ako se vrti bez kontakta s izratkom, što može dovesti do povreda.
- **Stvarajte pritisak uvijek samo kod direktnog usmjeravanja prema umetku bušenja i nemojte pritiskati prejako.** Umetci

bušenja se mogu presaviti i slomiti ili dovesti do gubitka kontrole nad aparatom, čime opet može doći do povreda.

OSTALE SIGURNOSNE I RADNE UPUTE

Upotrebljavati zaštitnu opremu. Kod radova sa strojem uvijek nositi zaštitne naočale. Preporučuje se zaštitna odjeća, kao zaštitna maska protiv prašine, zaštitne rukavice, čvrste i protiv klizanja sigurne cipele, šljem i zaštitu sluha.

Prašina koja nastaje prilikom rada je često nezdrava i ne bi smijela dospjeti u tijelo. Nositi prikladnu zaštitnu masku protiv prašine.

Ne smiju se obrađivati nikakvi materijali, od kojih prijeti opasnost po zdravlje (npr. azbest).

Kod blokiranja alata koji se upotrebljava uređaj molimo odmah isključiti! Uređaj nemojte ponovno uključiti za vrijeme dok je alat koji se upotrebljava blokiran; time može doći do povratnog udara sa visokim reakcijskim momentom. Pronađite i otklonite uzrok blokiranja alata koji se upotrebljava uz poštivanje sigurnosnih uputa.

Mogući uzroci tome mogu biti:

- Izobličavanje u izratku koji se obrađuje
- Probijanje materijala koji se obrađuje
- Preopterećenje električnog alata

Nemojte sezati u stroj koji radi.

Upotrebjeni alat se može za vrijeme korištenja zagrijati.

UPOZORENIE! Opasnost od opekotina

- kod promjene alata
- kod odlaganja uređaja

Piljevina ili i verje se za vrijeme rada stroja ne smiju odstranjivati.

Priključni kabel uvijek držati udaljenim sa područja djelovanja.

Kabel uvijek voditi od stroja prema nazad.

Kod radova na zidu, stropu ili podu paziti na električne kablove kao i vodove plina i vode.

Osigurajte vaš izradak jednim steznim uređenjem. Neosigurani izradci mogu prouzročiti teške povrede i oštećenja.

Prije radova na stroju izvući utikač iz utičnice.

Kod velikih promjera bušenja mora dodatna ručka biti pričvršćena pravokutno prema glavnoj ručki. Vidi i sliku, odsječak "Ručka zaokrenuti".

PROPISNA UPOTREBA

Bušilica je upotrebijiva za bušenje drva, metala i plastike kao i za zavrtanje.

Ovaj aparat se smije upotrijebiti samo u određene svrhe kao što je navedeno.

CE-IZJAVA KONFORMNOSTI

Izjavljujemo na osobnu odgovornost, da je proizvod opisan pod "Tehnički podaci", skladan sa svim relevantnim propisima smjernice 2011/65/EU (RoHS), 2014/30/EU, 2006/42/EC i sa slijedećim harmoniziranim normativnim dokumentima:

EN 62841-1:2015

EN 62841-2-1:2018+A11:2019

EN 55014-1:2017+A11:2020

EN 55014-2:2015

EN 61000-3-2:2014

EN 61000-3-3:2013

EN IEC 63000:2018

Winnenden, 2020-11-05

Alexander Krug

Alexander Krug
Managing Director



Ovlašten za formiranje tehničke dokumentacije.

Techtronic Industries GmbH
Max-Eyth-Straße 10
71364 Winnenden
Germany

PRIKLJUČAK NA MREŽU

Utičnice na vanjskom području moraju biti opremljene zaštitnim prekidačima za pogrešnu struju (FI, RCD, PRCD). To zahtjeva instalacijski propis za električne uređaje. Molimo da ovo poštujuete prilikom upotrebe našeg aparata.

Priključiti samo na jednofaznu naizmjeničnu struju i samo na napon struje, naveden na pločici snage. Priključak je moguć i na utičnice bez zaštitnog kontakta, jer postoji dogradnja zaštitne klase II.

Uređaj priključiti na utičnicu samo kada je isključen.

ODRŽAVANJE

Proreze za prozračivanje stroja uvijek držati čistima.

Redovna primjena spraya za čišćenje na steznim čeljustima i bušenjima steznih čeljusti se preporučuje.

Ukoliko je priključni vod električnog alata oštećen, ovaj se mora promijeniti jednim specijalno podešenim priključnim vodom, koji se može dobiti preko servisne organizacije.

Primijeniti samo Milwaukee opremu i rezervne dijelove. Sastavne dijelove, čija zamjena nije opisana, dati zamijeniti kod jedne od Milwaukee servisnih službi (poštivati brošuru Garancija/Adrese servisa).

Po potrebi se može zatražiti crtež eksplozije aparata uz davanje podataka o tipu stroja i desetoznamenastog broja na pločici snage kod Vaše servisne službe ili direktno kod Techtronic Industries GmbH, Max-Eyth-Straße 10, 71364 Winnenden, Germany.

SIMBOLI	
	PAŽNJA! UPOZORENIE! OPASNOST!
	Prije radova na stroju izvući utikač iz utičnice.
	Molimo da pažljivo pročitate uputu o upotrebi prije puštanja u rad.
	Oprema - u opsegu isporuke nije sadržana, preporučena dopuna iz programa opreme.
	Električni uređaji se ne smiju zbrinjavati skupa sa kućnim smećem. Električni uređaji se moraju skupljati odvojeno i predati na zbrinjavanje primjereno okolišu jednom od pogona za iskorišćavanje. Raspitajte se kod mjesnih vlasti ili kod stručnog trgovca u svezi gospodarstva za recikliranje i mjesta skupljanja.
	Električni alat zaštitne kategorije II. Električni alat, čija zaštita od jednog električnog udara ne zavisi samo od osnovne izolacije, već i od toga, da se primijene dodatne zaštitne mjere, kao što su dvostruka izolacija ili pojačana izolacija. Ne postoji nikakva naprava za priključak nekog zaštitnog voda.
n_0	Broj okretaja praznog hoda
V	Napon
	Izmjenična struja
	Europski znak suglasnosti
	Britanski znak suglasnosti
	Ukrajinski znak suglasnosti
	Euroazijski znak suglasnosti

TEHNISKIE DATI	ROTĒJOŠAIS URBIS	HDE 13 RQX	HDE 10 RQX	HDE 6 RQ
Izlaides numurs	3844 92 05.....	3845 23 05.....	7520 27 05.....	
	...000001-999999	...000001-999999	...000001-999999	
Nominālā atdotā jauda.....	950 W	725 W	725 W	
Cietkoks.....	475 W	362 W	362 W	
Tukšgaitas apgriezību skaits	0-900 min ⁻¹	0-1200 min ⁻¹	0-4200 min ⁻¹	
maks. apgriezību skaits ar slodzi.....	0-550 min ⁻¹	0-795 min ⁻¹	0-2680 min ⁻¹	
Urbšanas diametrs tēraudā	13 mm.....	10 mm.....	6 mm	
Urbšanas diametrs mīkstkokā	38 mm.....	30 mm.....	16 mm	
Urbšanas diametrs alumīnijā	20 mm.....	13 mm.....	8 mm	
Urbja stiprinājuma amplitūda	1,5-13 mm.....	1,0-10 mm.....	1,0-10 mm	
Urbja vārpsta	1/2"x20	1/2"x20	3/8"x24	
Svars atbilstoši EPTA -Procedure 01/2014	2,0 kg.....	1,9 kg.....	1,4 kg	

Troksņu informācija

Vērtības, kas noteiktas saskaņā ar EN 62841.

A novērtētās aparātūras skaņas līmenis ir:

Troksņa spiediena līmenis (Nedrošība K=3dB(A)).....	99 dB (A)	99 dB (A)	99 dB (A)
Troksņa jaudas līmenis (Nedrošība K=3dB(A)).....	110 dB (A)	110 dB (A)	110 dB (A)

Nēsāt troksņa slāpētāju!

Vibrāciju informācija

Svārstību kopējā vērtība (Trīs virzienu vektoru summtiek noteikta atbilstoši EN 62841.

Svārstību emisijas vērtība a _h	5,4 m/s ²	2,7 m/s ²	6,8 m/s ²
Nedrošība K=.....	1,5 m/s ²	1,5 m/s ²	1,5 m/s ²

UZMANĪBU

Instrukcijā norādītā svārstību robežvērtība ir izmērīta mērījumu procesā, kas veikts atbilstoši standartam EN 62841, un to var izmantot elektroinstrumentu savstarpējai salīdzināšanai. Tā ir piemērota arī svārstību noslogojuma pagaidu izvērtēšanai.

Norādītā svārstību robežvērtība ir reprezentatīva elektroinstrumenta pamata pielietojuma jomām. Tomēr, ja elektroinstrumenti tiek pielietoti citās jomās, papildus izmantojot neatbilstošus elektroinstrumentus vai pēc nepietiekamas tehniskās apkopes, tad svārstību robežvērtība var atšķirties. Tas var ievērojami palielināt svārstību noslogojumu visa darba laikā.

Precīzai svārstību noslogojuma noteikšanai, ir jāņem vērā arī laiks, kad ierīces ir izslēgta vai arī ir ieslēgta, tomēr faktiski netiek lietota. Tas var ievērojami samazināt svārstību noslogojumu visa darba laikā.

Integrējiet papildus drošības pasākumus pret svārstību ietekmi lietotajam, piemēram: elektroinstrumentu un darba instrumentu tehniskā apkope, roku siltuma uzturēšana, darba procesu organizācija.

▲ BRĪDINĀJUMS Izlasiet visus šim elektroinstrumentam pievienotos drošības brīdinājumus, instrukcijas, ilustrācijas un specifikācijas. Nespēja ievērot visas zemāk uzskaitītās instrukcijas var novest pie elektrošoka, ugunsgrēka un/vai smagiem savainojumiem. **Pēc izlasīšanas uzglabājiet šos noteikumus turpmākai izmantošanai.**

▲ DROŠĪBAS NOSACĪJUMI LIETOJOT URBJMAŠĪNAS

- **Vienmēr vajag izmantot papildus rokturi.** Zaudējot kontroli, var gūt ievainojumus.
- **Pirms darbu sākšanas droši novietojiet ierīci šim nolūkam paredzētajā rokturī.** Šī ierīce rada augstu griezes momentu, un ja lietošanas laikā tā nav pareizi nostiprināta, iespējams zaudēt kontroli pār to.
- **Ierīci turiet aiz izolētiem rokturiem, ja veicat darbus, kuros griešanas darbiem izmantojamais instruments var skart paslēptus elektrovadus vai pats savu kabeli.** Šī instrumenta saskare ar strāvu vadošiem kabeļiem var radīt spriegumu arī ierīces metāliskajās daļās un var izraisīt elektrisko triecienu.

DROŠĪBAS NORĀDES GARU URBJA UZGAĻU IZMANTOŠANAI

- **Nekad neizmantojiet augstāku apgriezību skaitu par maksimālo, kas norādīts konkrētajam urbim.** Ja apgriezību skaits ir lielāks, urbis var saliekties, ja griežas bez saķeres ar sagatavi, kā rezultātā var rasties savainojumi.
- **Urbšanu vienmēr sāciet ar zemāku apgriezību skaitu un vienmēr tikai tad, kad urbis jau ir saskāries ar sagatavi.** Ja apgriezību skaits ir lielāks, urbis var saliekties, ja griežas bez saķeres ar sagatavi, kā rezultātā var rasties savainojumi.
- **Izdariet spiedienu tikai tieši līnijā ar urbi un nespiediet pārāk stipri.** Urbis var saliekties un salūzt vai radīt kontroles

zudumu pār ierīci, kā rezultātā pastāv savainojumu rašanās risks.

CITAS DROŠĪBAS UN DARBA INSTRUKCIJAS

Jāizmanto aizsargapriekojums. Strādājot ar mašīnu, vienmēr jānēsā aizsargbrilles. Ieteicams nēsāt aizsargapgērbus, kā piemēram, aizsargmasku, aizsargcimdus, kurpes no stingra un neslīdīga materiāla, ķiveri un ausu aizsargus.

Putekļi, kas rodas darba gaitā, bieži ir kaitīgi veselībai un tiem nevajadzētu nokļūt organismā. Jānēsā piemērota maska, kas pasargā no putekļiem.

Nedrīkst apstrādāt materiālus, kas rada draudus veselībai (piemēram, azbestu).

Ja izmantojamais darba rīks tiek bloķēts, nekavējoties izslēgt ierīci! Neieslēdziet ierīci, kamēr izmantojamais darba rīks ir bloķēts; var rasties atsitiens ar augstu griezes momentu. Noskaidrojiet un novērsiet izmantojamā darba rīka bloķēšanas iemeslu, ievērojot visas drošības norādes.

Iespējamie iemesli:

- iesprūdis apstrādājamajam materiālam
- apstrādājamais materiāls ir caursists
- elektroinstrumenti ir pārslogots

I-AA2eslēgtai ierīcei nepieskarties.

Izmantojamais darba rīks darba gaitā var stipri sakarst.

UZMANĪBU! Bīstamība apdedzināties

- veicot darba rīka nomainīšanu
- noliekot iekārtu

Skaidas un atūzas nedrīkst ņemt ārā, kamēr mašīna darbojas.

Pievienojuma kabeli vienmēr turēt atstātus no mašīnas darbības lauka. Kabelim vienmēr jāatrodas aiz mašīnas.

Veicot darbus sienu, griestu un grīdas apvidū, vajag uzmanīties, lai nesabojātu elektriskos, gāzes un ūdens vadus.

Fiksējiet apstrādājamo materiālu ar fiksācijas aprīkojumu. Nenostiprināti materiāli var izraisīt smagus savainojumus un bojājumus.

Pirms jebkādiem darbiem, kas attiecas uz mašīnas apkopi, mašīnu noteikti vajag atvienot no kontaktligzdas.

Pie liela urbšanas diametra papildus rokturi vajag piestiprināt perpendikulāri galvenajam rokturim. Skat. arī attēlus nodaļā "Pagriezti rokturi".

NOTEIKUMIEM ATBILSTOŠS IZMANTOJUMS

Urbmašīna ir universāli izmantojama koka, metāla un plastmasas urbšanai un skrūvēšanai

Šo instrumentu drīkst izmantot tikai saskaņā ar minētajiem lietošanas noteikumiem.

ATBILSTĪBA CE NORMATĪV

Mēs apliecinām, ka produkts, kura tehniskie parametri aprakstīti "tehnisko datu lapā", pilnībā atbilst prasībām saskaņā ar direktīvām 2011/65/EU (RoHS), 2014/30/ES, 2006/42/EC un attiecīgajiem harmonizētajiem normatīvajiem dokumentiem:

EN 62841-1:2015
EN 62841-2-1:2018+A11:2019
EN 55014-1:2017+A11:2020
EN 55014-2:2015
EN 61000-3-2:2014
EN 61000-3-3:2013
EN IEC 63000:2018

Winnenden, 2020-11-05

Alexander Krug

Alexander Krug
Managing Director

Pilnvarotais tehniskās dokumentācijas sastādīšanā.

Techtronic Industries GmbH
Max-Eyth-Straße 10
71364 Winnenden
Germany



TĪKLA PIESLĒGUMS

Kontaktligzdām, kas atrodas ārpus telpām jābūt aprīkotām ar automātiskiem drošinātājslēdzīem, kas nostrādā, ja strāvas plūsmā radušies (FI, RCD, PRCD) bojājumi. To pieprasa jūsu elektroiekārtas instalācijas noteikumi. Lūdzu, to ņemt vērā, izmantojot mūsu instrumentus.

Pieslēgt tikai vienpola maiņstrāvas tīklam un tikai spriegumam, kas norādīts uz jaudas paneļa. Pieslēgums iespējams arī kontaktligzdām bez aizsargkontaktiem, jo runa ir par uzbūvi, kas atbilst II. aizsargklasei.

Instrumentu pieslēgt kontaktligzdai tikai izslēgtā stāvoklī.

APKOPE

Vajag vienmēr uzmanīties, lai būtu tīras dzesēšanas atveres.

Ieteicams regulāri izmantot tīrītāju, lai iztīrītu

Ja elektroinstrumenta savienojuma kabelis ir bojāts, tas jānomaina pret speciāli sagatavotu kabeli, ko var iegādāties klientu apkalpošanas centrā.

Izmantojiet tikai firmu Milwaukee piederumus un firmas rezerves daļas. Lieciet nomainīt detaļas, kuru nomainā nav aprakstīta, kādā no firmu Milwaukee klientu apkalpošanas servisiem. (Skat. brošūru "Garantija/klientu apkalpošanas serviss".)

Ja nepieciešams, klientu apkalpošanas servisā vai tieši pie firmas Techtronic Industries GmbH, Max-Eyth-Straße 10, 71364 Winnenden, Germany, var pieprasīt instrumenta numurs, kas norādīts uz jaudas paneļa.

SIMBOLI

	UZMANĪBU! BĪSTAMI!
	Pirms jebkādiem darbiem, kas attiecas uz mašīnas apkopi, mašīnu noteikti vajag atvienot no kontaktligzdas.
	Pirms sākt lietot instrumentu, lūdzu, izlasiet lietošanas pamācību.
	Piederumi - standartapriekojumā neietvertās, bet ieteicamās papildus komplektācijas detaļas no piederumu programmas.
	Elektroiekārtas nedrīkst izmest kopā ar sadzīves atkritumiem. Elektriskās un elektroniskās iekārtas ir jāsavāc atsevišķi un jānodod pārstrādes uzņēmumam, kas no tām atbrīvosies dabai draudzīgā veidā. Meklējiet atbilstošus pārstrādes poligonus un savākšanas punktus vietējās pārvaldes iestādēs vai pie preces pārdevēja.
	II aizsardzības klases elektroinstrumenti. Elektroinstrumenti, kuram aizsardzība pret elektrisko triecienu ir atkarīga ne tikai no pamata izolācijas, bet arī no tā, ka tiek piemēroti papildu aizsardzības pasākumi, piemēram, dubultā izolācija vai pastiprināta izolācija. Aizsarga pieslēgšanai instrumenti nav paredzēti.
	Tukšgaitas apgriezību skaits
	Spriegums
	Mainstrāva
	Eiropas atbilstības zīme
	Lielbritānijas atbilstības zīme
	Ukrainas atbilstības zīme
	Eirāzijas atbilstības zīme

TECHNINIAI DUOMENYS **GRĘŽTUVAS** **HDE 13 RQX** **HDE 10 RQX** **HDE 6 RQ**

Produkto numeris	3844 92 05...	3845 23 05...	7520 27 05...
.....	...00001-999999	...00001-999999	...00001-999999
Vardinė imamoji galia	950 W	725 W	725 W
Išėjimo galia	475 W	362 W	362 W
Sūkių skaičius laisva eiga	0-900 min ⁻¹	0-1200 min ⁻¹	0-4200 min ⁻¹
Sūkių skaičius su apkrova maks	0-550 min ⁻¹	0-795 min ⁻¹	0-2680 min ⁻¹
Gręžimo ø pliene	13 mm	10 mm	6 mm
Gręžimo ø minkštoje medienoje	38 mm	30 mm	16 mm
Gręžimo ø aliuminyje	20 mm	13 mm	8 mm
Grąžto patrono veržimo diapazonas	1,5-13 mm	1,0-10 mm	1,0-10 mm
Grąžto suklys	1/2"x20	1/2"x20	3/8"x24
Prietaiso svoris įvertintas pagal EPTA 01/2014 tyrimų metodiką	2,0 kg	1,9 kg	1,4 kg

Informacija apie keliamą triukšmą

Vertės matuotos pagal EN 62841.

Įvertintas A įrenginio keliamo triukšmo lygis dažniausiai sudaro:

Garso slėgio lygis (Paklaida K=3dB(A))	99 dB (A)	99 dB (A)	99 dB (A)
Garso galios lygis (Paklaida K=3dB(A))	110 dB (A)	110 dB (A)	110 dB (A)

Nešioti klausos apsaugines priemones!

Informacija apie vibraciją

Bendroji svyravimų reikšmė (trijų krypčių vektorių suma), nustatyta remiantis EN 62841.

Vibravimų emisijos reikšmė a _w	5,4 m/s ²	2,7 m/s ²	6,8 m/s ²
Paklaida K=	1,5 m/s ²	1,5 m/s ²	1,5 m/s ²

DĖMESIO

Instrukcijoje nurodyta svyravimų ribinė vertė yra išmatuota remiantis standartu EN 62841; ji gali būti naudojama keliems elektriniams instrumentams palyginti. Ji taikoma ir laikinai įvertinti svyravimų apkrova.

Nurodyta svyravimų ribinė vertė yra taikoma pagrindinėse elektrinio instrumento naudojimo srityse. Svyravimų ribinė vertė gali skirtis naudojant elektrinį instrumentą kitose srityse, papildomai naudojant netinkamus elektrinius instrumentus arba juos nepakankamai techniškai prižiūrint. Dėl to viso darbo metu gali žymiai padidėti svyravimų apkrova.

Siekiant tiksliai nustatyti svyravimų apkrova, būtina atsižvelgti ir į laikotarpį, kai įrenginys yra išjungtas arba įjungtas, tačiau faktiškai nenaudojamas. Dėl to viso darbo metu gali žymiai sumažėti svyravimų apkrova.

Siekiant apsaugoti vartotojus nuo svyravimo įtakos naudojamos papildomos saugos priemonės, pavyzdžiui, elektrinių darbo instrumentų techninė priežiūra, rankų šilumos palaikymas, darbo procesų organizavimas.

⚠ WARNING Perskaitykite visus saugumo įspėjimus, instrukcijas, peržiūrėkite iliustracijas ir specifikacijas, pateiktas kartu su šiuo įrankiu. Jei nepaisysite visų toliau pateiktų instrukcijų, gali trenkti elektros smūgis, kilti gaisras ir/arba galite sunkiai susižaloti arba sužaloti kitus asmenis. **išsaugokite šias saugos nuorodas ir reikalavimus, kad ir ateityje galėtumėte jais pasinaudoti.**

⚠ GRĄŽTAMS SKIRTI SAUGUMO NURODYMAI

- **Visada naudokite papildomą rankeną.** Nesuvaldžius prietaiso galima susižeisti.
- **Prieš pradėdami dirbti tvirtai suimkite prietaisą už tam skirtos rankenos.** Šis prietaisas veikia labai dideliu išėjimo sukimo momentu ir jei dirbami prietaiso nelaikysite tvirtai, Jums nepavyks jo sulaukyti, todėl kyla pavojus susižaloti.
- **Dirbdami laikykite prietaisą už izoliuotų vietų, kuriose pjovimo įrenginys pats galėtų liesti paslėptus laidus arba savo paties laidą.** Pjovimo įrenginio kontaktas su įtampos laidais gali įelektrinti metalines prietaiso dalis, o tai gali sukelti elektros iškvąvą.

SAUGOS NURODYMAI ILGIEMS GRĄŽTAMS

- **Niekada nenusistatykite didesnio nei didžiausio galimo sūkių skaičiaus, kuris yra nurodytas ant įstatomojo grąžto.** Didesniu sūkių skaičiumi veiktantis įstatomasis grąžtas gali sulinkti, kai sukdamasis noliečia ruošinio, todėl kyla pavojus susižaloti.
- **Nedidelį sūkių skaičių nustatykite pradžioje ir tuomet, kai įstatomasis grąžtas liečiasi prie ruošinio.** Didesniu sūkių skaičiumi veiktantis įstatomasis grąžtas gali sulinkti, kai sukdamasis noliečia ruošinio, todėl kyla pavojus susižaloti.
- **Visada spauskite tik tiesiogiai įstatomojo grąžto kryptimi ir niekada nespauskite per stipriai.** Įstatomieji grąžtai gali sulinkti ir nulūžti arba galite nesuvaldyti prietaiso ir taip pat susižaloti.

Atliekant didesnio skersmens gręžimus, papildomą rankeną reikia pritvirtinti statmenai pagrindinei rankenei. Žr. ir iliustracijų dalyje esantį skyrelį: „Rankenos persukimas“.

NAUDOJIMAS PAGAL PASKIRTĮ

Gręžtuvą galima naudoti gręžimui medyje, metalo ir plastike bei sukimui.

Šį prietaisą leidžiama naudoti tik pagal nurodytą paskirtį.

CE ATITIKTIES PAREIŠKIMAS

Remiantis bendrais atsakomybės reikalavimais pareiškiame, jog skyriuje "Techniniai duomenys" aprašytas produktas atitinka visus toliau pateiktų juridinių direktyvų reikalavimus: 2011/65/EU (RoHS), 2014/30/ES, 2006/42/EB ir kitus su jomis susijusius norminius dokumentus:

- EN 62841-1:2015
- EN 62841-2-1:2018+A11:2019
- EN 55014-1:2017+A11:2020
- EN 55014-2:2015
- EN 61000-3-2:2014
- EN 61000-3-3:2013
- EN IEC 63000:2018

Winnenden, 2020-11-05

Alexander Krug

Alexander Krug
Managing Director



Įgaliotas parengti techninius dokumentus.

Techntron Industries GmbH
Max-Eyth-Straße 10
71364 Winnenden
Germany

ELEKTROS TINKLO JUNGTIJS

Lauke esantys el. lizdai turi būti su gedimo srovės išjungikliais. Tai nurodyta Jūsų elektros įrenginio instaliacijos taisyklėse (FI, RCD, PRCD). Atsižvelkite į tai, naudodami prietaisą.

Jungti tik prie vienfazės kintamos elektros srovės ir tik į specifikacijų lentelėje nurodytos įtampos elektros tinklą. Konstrukcijos priemonės, kurios apsaugins jus nuo elektros šokio, tačiau nepašalins elektros kontakto.

Į elektros tinkląjunkite tik išjungtą prietaisą.

TECHNINIS APTARNAVIMAS

Įrenginio vėdinimo angos visada turi būti švarios.

Rekomenduojame retkarčiais nupurkšti spaustuvo kumštelių ir spaustuvo kumštelių kiurymes valymo aerozoliu.

Jei elektrinio įrankio prijungimo laidas pažeistas, jį reikia pakeisti specialiu prijungimo laidu, kurį galite užsisakyti klientų aptarnavimo skyriuje.

Naudokite tik Milwaukee priedus ir atsargines dalis. Dalis, kurių keitimas neaprašytas, leidžiama keisti tik Milwaukee klientų aptarnavimo skyriams (žr. garantiją/klientų aptarnavimo skyrių adresus brošiūroje).

Jei reikia, nurodant įrenginio tipą bei specifikacijų lentelėje esantį numerį, iš klientų aptarnavimo skyriaus arba tiesiai iš Techntron Industries GmbH, Max-Eyth-Straße 10, 71364 Winnenden, Germany, galima užsisakyti prietaiso surinkimo brėžinius.

SIMBOLIAI

	DĖMESIO! ĮSPĖJIMAS! PAVOJUS!
	Prieš atlikdami bet kokius įrenginyje, ištraukite iš lizdo kištuką.
	Prieš pradėdami dirbti su prietaisu, atidžiai perskaitykite jo naudojimo instrukciją.
	Priedas – neįeina į tiekimo komplektaciją, rekomenduojamas papildymas iš priedų asortimento.
	Elektros prietaisų negalima išmesti kartu su buitėmis atliekomis. Būtina rūšiuoti elektros ir elektroninius prietaisus ir atiduoti į atliekų perdirbimo centrą, kad jie būtų utilizuoti netešiant aplinkos. Informacijos apie perdirbimo centrus ir atliekų surinkimo įstaigas teiraukitės vietos įstaigoje arba prekybininke.
	Į apsaugos klasės elektrinis įrankis. Šio elektrinio įrankio apsauga nuo elektros smūgio priklauso ne tik nuo pagrindinės izoliacijos, bet ir nuo to, kaip naudojamos papildomos apsauginės priemonės, tokios kaip dviguba arba pagerinta izoliacija. Nėra jokio prietaiso apsauginio laido pajungimui.
n_p	Sūkių skaičius laisva eiga
v	Įtampa
	Kintamoji srovė
	Europos atitikties ženklas
	Britanijos atitikties ženklas
	Ukrainos atitikties ženklas
	Eurazijos atitikties ženklas

TEHNILISED ANDMED	TRELLPUUR	HDE 13 RQX	HDE 10 RQX	HDE 6 RQ
Tootmisnumber.....	3844 92 05...	3845 23 05...	7520 27 05...	
	...000001-999999	...000001-999999	...000001-999999	
Nimitarbimine.....	950 W	725 W	725 W	
Väljundvõimsus.....	475 W	362 W	362 W	
Pöörlemiskiirus tühijooksul.....	0-900 min ⁻¹	0-1200 min ⁻¹	0-4200 min ⁻¹	
Maks pöörlemiskiirus koormusega.....	0-550 min ⁻¹	0-795 min ⁻¹	0-2680 min ⁻¹	
Puurimisläbimõõt terases.....	13 mm	10 mm	6 mm	
Puuri ø pehmes puidus.....	38 mm	30 mm	16 mm	
Puurimisläbimõõt alumiiniumis.....	20 mm	13 mm	8 mm	
Puuripadrundi pingutusvahemik.....	1,5-13 mm	1,0-10 mm	1,0-10 mm	
Puurispindel.....	1/2"x20	1/2"x20	3/8"x24	
Kaal vastavalt EPTA-protseduurile 01/2014.....	2,0 kg	1,9 kg	1,4 kg	

Müra andmed

Mõõteväärtused on kindlaks tehtud vastavalt normile EN 62841.

Seadme tüüpiline hinnanguline (A) müratase:

Helirõhutase (Määramatus K=3dB(A))..... 99 dB (A)..... 99 dB (A)..... 99 dB (A)

Helivõimsuse tase (Määramatus K=3dB(A))..... 110 dB (A)..... 110 dB (A)..... 110 dB (A)

Kandke kaitseks kõrvaklappe!

Vibratsiooni andmed

Vibratsiooni koguväärtus (kolme suuna vektorsummõõdetud EN 62841 järgi).

Vibratsiooni emissiooni väärtus a_w..... 5,4 m/s²..... 2,7 m/s²..... 6,8 m/s²

Määramatus K=..... 1,5 m/s²..... 1,5 m/s²..... 1,5 m/s²

TÄHELEPANU

Antud juhendis toodud võnketase on mõõdetud EN 62841 standardile vastava mõõtesüsteemiga ning seda võib kasutada erinevate elektriseadmete omavahelises võrdlemises. Antud näitaja sobib ka esmaseks võnkekoormuse hindamiseks.

Antud võnketase kehtib elektriseadme kasutamisel sihtotstarbeliselt. Kui elektriseadet kasutatakse muudel otstarvetel, muude tööriistadega või seda ei hooldata piisavalt võib võnketase siintoodust erineda. Eeltoodu võib võnketaset märkimisväärselt tõsta terves töökeskkonnas.

Võnketaseme täpselt hindamiseks tuleks arvestada ka Milwaukeea, mil seade on välja lülitatud või on küll sisse lülitatud, kuid ei ole otseselt kasutuses. See võib märgatavalt vähendada kogu töökeskkonna võnketaset.

Rakendage spetsiaalseid ettevaatusabinõusid töötajate suhtes, kes puutuvad töö käigus palju kokku vibratsiooniga. Nendeks abinõudeks võivad olla, näiteks: elektri- ja tööseadmete korraline hooldus, käte soojendamine, töövoo parem organiseerimine.

⚠ TÄHELEPANU! Kõik selle elektrilise tööriista kaasasolevad ohutusnõuded, juhised, joonised ja spetsifikatsioonid tuleb läbi lugeda. Kõigi allpool loetletud juhiste eiramise tagajärjeks võib olla elektrilöökk, tulekahju ja/või rasked vigastused. **Hoidke kõik ohutusnõuded ja juhised edasiseks kasutamiseks hoolikalt alles.**

⚠ PUURMASINATE OHUTUSJUHISED

- **Kasutage alati lisakäepidid.** Kontrolli kaotamine võib põhjustada vigastusi.
- **Enne tööga alustamist hoidke seadmest selleks ettenähtud käepidemest hästi kõvasti kinni.** See töötab suurel pöördekiirusel ja kui te ei hoida sellest töö ajal piisavalt kõvasti kinni, võite kaotada selle üle kontrolli ja end vigastada.
- **Tööde puhul, kus lõikeseade võib minna vastu peidetud elektrijuhtmeid või seadme enda toitejuhet, hoidke kinni seadme isoleeritud käepidemetest.** Kokkupuude pingestatud juhtmega võib pingestada ka lõikeseadme metallist osad ning põhjustada elektrilööki.

OHUTUSJUHISED PIKKADE PUURITERADE KASUTAMISEKS

- **Ärge kunagi kasutage suuremat pöördekiirust, kui puuri otsale maksimaalselt on ette nähtud.** Lubatud suuremal kiirusel pööreldes võib puuri ots painduda, kui see pöörleb toorikuga kokku puutumata, mis omakorda võib põhjustada vigastusi.
- **Alustage alati madalamal pöördekiirusel ja nii, et puuri ots puutub toorikuga kokku.** Lubatud suuremal kiirusel pööreldes võib puuri ots painduda, kui see pöörleb toorikuga kokku puutumata, mis omakorda võib põhjustada vigastusi.
- **Alati vajutage puuri otsale peale otse ja ärge suruge liiga tugevasti.** Puuri otsad võivad painduda ja murduda või kaob kontroll seadme üle, mis omakorda võib põhjustada vigastusi.

KASUTAMINE VASTAVALT OTSTARBELE

Trelli saab rakendada puidu, metalli ja plasti puurimiseks ning kruvide keeramiseks.

Antud seadet tohib kasutada ainult vastavalt äranäidatud otstarbele.

EÜ VASTAVUSAVALDUS

Me deklareerime ainuiskuliselt vastutades, et lõigus "Tehnilised andmed" kirjeldatud toode vastab direktiivide 2011/65/EU (RoHS), 2014/30/EU, 2006/42/EÜ kõigile olulisele tähtsusega eeskirjadele ning järgmistele harmoneeritud normatiivsetele dokumentidele:

EN 62841-1:2015
EN 62841-2-1:2018+A11:2019
EN 55014-1:2017+A11:2020
EN 55014-2:2015
EN 61000-3-2:2014
EN 61000-3-3:2013
EN IEC 63000:2018

Winnenden, 2020-11-05



Alexander Krug
Managing Director

On volitatud koostama tehnilist dokumentatsiooni.

Techtronic Industries GmbH
Max-Eyth-Straße 10
71364 Winnenden
Germany

VÕRKU ÜHENDAMINE

Välitingimustes asuvad pistikupesad peavad olema varustatud rikkevoolukaitselülititega (FI, RCD, PRCD). Seda nõutakse Teie elektriseadme installaerimiseeskirjas. Palun pidage sellest meie seadme kasutamisel kinni.

Ühendage ainult ühefaasilise vahelduvvooluga ning ainult andmesilidil toodud võrgupingega. Ühendada on võimalik ka kaitsekalkitita pistikupesadesse, kuna nende konstruktsioon vastab kaitseklassile II.

Ühendage seade pistikupesaga ainult välja lülitatult.

HOOLDUS

Hoidke masina ohutuspidul alati puhtad.












Soovitav on kinnituskukkide ja kinnituskukkide puurete puhul kasutada regulaarselt pihustatavat puhastusvedelikku.

Kui elektritööriista ühendusjuhe on kahjustatud, siis tuleb see spetsiaalselt ettevalmistatud ühendusjuhtmega asendada, mis on saadaval klienditeenindusorganisatsiooni kaudu.

Kasutage ainult Milwaukee tarvikuid ja tagavaraosi. Detailid, mille väljavahetamist pole kirjeldatud, laske välja vahetada Milwaukee klienditeeninduspunktis (vaadake brošüüri garantii / klienditeeninduste aadressid).

Vajaduse korral võite tellida seadme läbilõikejoonise, näidates ära masina tüübi ja andmesilidil oleva numbril. Selleks pöörduge klienditeeninduspunkti või otse: Techtronic Industries GmbH, Max-Eyth-Straße 10, 71364 Winnenden, Germany.

SÜMBOLID

	ETTEVAATUST! TÄHELEPANU! OHUD!
	Enne kõiki töid masina kallal tõmmake pistik pistikupesast välja.
	Palun lugege enne käikluskimist kasutamisyjuhend hoolikalt läbi.
	Tarvikud - ei kuulu tarne komplekti, soovitatav täiendus on saadaval tarvikute programmis.
	Elektriseadmeid ei tohi utiliseerida koos majapidamisprügiga. Elektrilised ja elektroonilised seadmed tuleb eraldi kokku koguda ning keskkonnasõbralikuks utiliseerimiseks vastavas käitlusettevõttes ära anda. Küsige kohalikest pädevatest ametitest või edasimüüjalt käitlusjaamade ja kogumispunkte kohta järele.
	Kaitseklassi II elektritööriist. Elektritööriist, mille puhul ei sõltu kaitse mitte üksnes baasisolatsioonist, vaid ka täiendavate kaitsemeetmete nagu topeltisolatsiooni või tugevdatud isolatsiooni kohaldamisest. Mehhanism kaitsejuhi ühendamiseks puudub.
n_p	Pöörlemiskiirus tühijooksul
v	Pinge
	Vahelduvvool
	Euroopa vastavusmärk
	Ühendkuningriigi vastavusmärk
	Ukraina vastavusmärk
	Euraasia vastavusmärk

ТЕХНИЧЕСКИЕ ДАННЫЕ	ДРЕЛЬ HDE 13 RQX	HDE 10 RQX	HDE 6 RQ
Серийный номер изделия	3844 92 05... ...000001-999999	3845 23 05... ...000001-999999	7520 27 05... ...000001-999999
Номинальная выходная мощность.....	950 W	725 W	725 W
Номинальная мощность.....	475 W	362 W	362 W
Число оборотов без нагрузки.....	0-900 min ⁻¹	0-1200 min ⁻¹	0-4200 min ⁻¹
Макс. скорость под нагрузкой.....	0-550 min ⁻¹	0-795 min ⁻¹	0-2680 min ⁻¹
Производительность сверления в стали.....	13 mm.....	10 mm.....	6 mm
Производительность сверления в мягкое дерево.....	38 mm.....	30 mm.....	16 mm
Производительность сверления в алюминии.....	20 mm.....	13 mm.....	8 mm
Диапазон раскрытия патрона.....	1,5-13 mm.....	1,0-10 mm.....	1,0-10 mm
Хвостовик привода.....	1/2"x20	1/2"x20	3/8"x24
Вес согласно процедуре EPTA 01/2014	2,0 kg	1,9 kg	1,4 kg

Информация по шумам

Значения замерялись в соответствии со стандартом EN 62841.

Уровень шума прибора, определенный по показателю A, обычно составляет:

Уровень звукового давления (Небезопасность K=3dB(A))..... 99 dB (A) 99 dB (A) 99 dB (A)

Уровень звуковой мощности (Небезопасность K=3dB(A))..... 110 dB (A) 110 dB (A) 110 dB (A)

Пользуйтесь приспособлениями для защиты слуха.

Информация по вибрации

Общие значения вибрации (векторная сумма трех направлений)

определены в соответствии с EN 62841.

Значение вибрационной эмиссии a_h..... 5,4 m/s²..... 2,7 m/s²..... 6,8 m/s²

Небезопасность K=..... 1,5 m/s²..... 1,5 m/s²..... 1,5 m/s²

ВНИМАНИЕ

Указанный в настоящем руководстве уровень вибрации измерен в соответствии с технологией измерения, установленной стандартом EN 62841 и может использоваться для сравнения электроинструментов друг с другом. Он также подходит для предварительной оценки вибрационной нагрузки.

Указанный уровень вибрации представляет основные виды использования электроинструмента. Но если электроинструмент используется для других целей, используемый инструмент отклоняется от указанного или техническое обслуживание электроинструмента, то уровень вибрации может отклоняться от указанного. В этом случае вибрационная нагрузка в течение всего периода работы значительно увеличивается.

Для точной оценки вибрационной нагрузки необходимо также учитывать время, в течение которого прибор отключен или включен, но фактически не используется. В этом случае вибрационная нагрузка в течение всего периода работы может существенно уменьшиться.

Установите дополнительные меры безопасности для защиты пользователя от воздействия вибрации, например: техническое обслуживание электроинструмента и используемого инструмента, поддержание рук в теплом состоянии, организация рабочих процессов.

ВНИМАНИЕ! Ознакомьтесь со всеми предупреждениями относительно безопасного использования, инструкциями, иллюстративным материалом и техническими характеристиками, поставляемыми с этим электроинструментом. Несоблюдение всех нижеследующих инструкций может привести к поражению электрическим током, пожару и/или тяжелым травмам. **Сохраняйте эти инструкции и указания для будущего использования.**

УКАЗАНИЯ ПО ТЕХНИКЕ БЕЗОПАСНОСТИ ДЛЯ ДРЕЛЕЙ

- Всегда пользуйтесь дополнительной рукояткой. Потеря контроля может стать причиной травмы.
- Перед началом работы надежно удерживайте устройство с помощью предусмотренной для этого ручки. Данное устройство создает высокий крутящий момент на выходном валу, поэтому если не держать его крепко во время работы, можно потерять над ним контроль и получить травму.
- Если Вы выполняете работы, при которых режущий инструмент может зацепить скрытую электропроводку или собственный кабель, инструмент следует держать за специально предназначенные для этого изолированные поверхности. Контакт режущего инструмента с токоведущим проводом может ставить под напряжение металлические части прибора, а также приводить к удару электрическим током.

УКАЗАНИЯ ПО ТЕХНИКЕ БЕЗОПАСНОСТИ ПРИ ИСПОЛЬЗОВАНИИ ДЛИННЫХ БУРОВ

- Никогда не используйте более высокую скорость, чем максимальная скорость, указанная для сверла. На более высоких скоростях сверло может изогнуться, если будет вращаться без контакта с обрабатываемым изделием, что может привести к травме.

- Всегда начинайте работу на низкой скорости и когда сверло контактирует с обрабатываемым изделием. На более высоких скоростях сверло может изогнуться, если будет вращаться без контакта с обрабатываемым изделием, что может привести к травме.
- Всегда оказывайте давление исключительно вдоль оси сверла и не давите слишком сильно. Сверла могут изгибаться и ломаться или приводить к потере контроля над устройством, что в свою очередь также может привести к травме.

ДОПОЛНИТЕЛЬНЫЕ УКАЗАНИЯ ПО БЕЗОПАСНОСТИ И РАБОТЕ

Пользоваться средствами защиты. Работать с инструментом всегда в защитных очках. Рекомендуется спецодежда: пылезащитная маска, защитные перчатки, прочная и нескользящая обувь, каска и наушники.

Пыль, возникающая при работе данным инструментом, может нанести вред здоровью. Не следует допускать её попадания в организм. Надевайте противопылевую респиратор.

Запрещается обрабатывать материалы, которые могут нанести вред здоровью (напр., асбест).

При блокировании используемого инструмента немедленно выключить прибор! Не включайте прибор до тех пор, пока используемый инструмент заблокирован, в противном случае может возникнуть отдача с высоким реактивным моментом. Определите и устраните причину блокирования используемого инструмента с учетом указаний по безопасности.

Возможными причинами могут быть:

- перекос заготовки, подлежащей обработке
- разрушение материала, подлежащего обработке
- перегрузка электроинструмента

Не прикасаться к работающему станку.

Используемый инструмент может нагреваться во время применения.

ВНИМАНИЕ! Опасность получения ожога

- при смене инструмента
- при укладывании прибора

Не убирайте опилки и обломки при включенном инструменте.

Держите силовой провод вне рабочей зоны инструмента. Всегда прокладывайте кабель за спиной.

При работе в стенах, потолках или полу следите за тем, чтобы не повредить электрические кабели или водопроводные трубы.

Закрепите вашу заготовку с помощью зажимного приспособления. Незакрепленные заготовки могут привести к тяжелым травмам и повреждениям.

Перед выполнением каких-либо работ по обслуживанию инструмента всегда вынимайте вилку из розетки.

При работе с большими диаметрами, дополнительная рукоятка должна быть зафиксирована под прямым углом к основной (см. иллюстрацию).

ИСПОЛЬЗОВАНИЕ

Дрель может использоваться для сверления в дереве, металле и пластике а также для закручивания шурупов.

Не пользуйтесь данным инструментом способом, отличным от указанного для нормального применения.

ДЕКЛАРАЦИЯ О СООТВЕТСТВИИ СТАНДАРТАМ ЕС

Мы заявляем под собственную ответственность, что изделие, описанное в разделе "Технические характеристики", соответствует всем важным предписаниям Директивы 2011/65/EU (Директива об ограничении применения опасных веществ в электрических и электронных приборах), 2014/30/EU, 2006/42/ЕС и приведенным далее гармонизированным нормативным документам:

EN 62841-1:2015

EN 62841-2-1:2018+A11:2019

EN 55014-1:2017+A11:2020

EN 55014-2:2015

EN 61000-3-2:2014

EN 61000-3-3:2013

EN IEC 63000:2018

Winnenden, 2020-11-05

Alexander Krug

Alexander Krug
Managing Director



Уполномочен на составление технической документации.

Techtronic Industries GmbH
Max-Eyth-Straße 10
71364 Winnenden
Germany

ПОДКЛЮЧЕНИЕ К ЭЛЕКТРОСЕТИ

Электроприборы, используемые во многих различных местах, в том числе на открытом воздухе, должны подключаться через устройство, предотвращающее резкое повышение напряжения (FI, RCD, PRCD).

Подсоединять только к однофазной сети переменного тока с напряжением, соответствующим указанному на инструменте. Электроинструмент имеет второй класс защиты, что позволяет подключать его к розеткам электропитания без заземляющего вывода.

Перед включением вилки в розетку убедитесь, что машина выключена.

ОБСЛУЖИВАНИЕ

Всегда держите охлаждающие отверстия чистыми.

Рекомендуется периодически использовать чистящее средство для зажимных приспособлений и держателей буров.

В случае повреждения сетевого кабеля электрического инструмента необходимо заменить его в авторизованном сервисном центре.

Пользуйтесь аксессуарами и запасными частями только фирмы Milwaukee. В случае возникновения необходимости в замене, которая не была описана, пожалуйста, обращайтесь на один из сервисных центров (см. список наших гарантийных/сервисных организаций).

При необходимости может быть заказан чертеж инструмента с трехмерным изображением деталей. Пожалуйста, укажите номер и тип инструмента и закажите чертеж у Ваших местных агентств или непосредственно у Techtronic Industries GmbH, Max-Eyth-Straße 10, 71364 Winnenden, Germany.

СИМВОЛЫ

	ВНИМАНИЕ! ПРЕДУПРЕЖДЕНИЕ! ОПАСНОСТЬ!
	Перед выполнением каких-либо работ по обслуживанию инструмента всегда вынимайте вилку из розетки.
	Пожалуйста, внимательно прочтите инструкцию по использованию перед началом любых операций с инструментом.
	Принадлежности - В стандартную комплектацию не входит, поставляется в качестве дополнительной принадлежности.
	Электрические устройства нельзя утилизировать вместе с бытовым мусором. Электрические и электронные устройства следует собирать отдельно и сдавать в специализированную утилизирующую компанию для утилизации в соответствии с нормами охраны окружающей среды. Сведения о центрах вторичной переработки и пунктах сбора можно получить в местных органах власти или у вашего специализированного дилера.
	Электроинструмент с классом защиты II. Электроинструмент, в котором защита от электрического удара зависит не только от основной изоляции, но и от того, что принимаются дополнительные защитные меры, такие как двойная изоляция или усиленная изоляция. Нет устройства для подключения защитного провода.
	Число оборотов без нагрузки
	Вольт пост. тока
	Переменный ток
	Европейский знак соответствия
	Британский знак соответствия
	Украинский знак соответствия
	Евразийский знак соответствия

ТЕХНИЧЕСКИ ДАННИ	ПЕРФОРАТОРНА БОРМАШИНА	HDE 13 RQX	HDE 10 RQX	HDE 6 RQ
Производствен номер.....	3844 92 05.....	3845 23 05.....	7520 27 05.....	
	...000001-999999	...000001-999999	...000001-999999	
Номинална консумирана мощност.....	950 W	725 W	725 W	
Отдавана мощност.....	475 W	362 W	362 W	
Обороти на празен ход.....	0-900 min ⁻¹	0-1200 min ⁻¹	0-4200 min ⁻¹	
Макс. обороти при натоварване.....	0-550 min ⁻¹	0-795 min ⁻¹	0-2680 min ⁻¹	
Диаметър на свердлото за стомана.....	13 mm	10 mm	6 mm	
Диаметър на свердлото за меко дърво.....	38 mm	30 mm	16 mm	
Диаметър на свердлото за алуминий.....	20 mm	13 mm	8 mm	
Затегателен участък на патронника.....	1,5-13 mm	1,0-10 mm	1,0-10 mm	
Шпиндел на бормашината.....	1/2"x20	1/2"x20	3/8"x24	
Тегло съгласно процедурата EPTA 01/2014.....	2,0 kg	1,9 kg	1,4 kg	

Информация за шума

Измерените стойности са получени съобразно EN 62841.

Оцененото с A ниво на шума на уреда е съответно:

Равнище на звуковото налягане (Несигурност K=3dB(A)) 99 dB (A) 99 dB (A) 99 dB (A)

Равнище на мощността на звука (Несигурност K=3dB(A)) 110 dB (A) 110 dB (A) 110 dB (A)

Да се носи предпазно средство за слуха!

Информация за вибрациите

Общите стойности на вибрациите (векторна сума на три посоки) са определени в съответствие с EN 62841.

Стойност на емисии на вибрациите a_h..... 5,4 m/s²..... 2,7 m/s²..... 6,8 m/s²

Несигурност K=..... 1,5 m/s²..... 1,5 m/s²..... 1,5 m/s²

ВНИМАНИЕ

Посоченото в тези инструкции ниво на вибрациите е измерено в съответствие със стандартизиран в EN 62841 измервателен метод и може да се използва за сравнение на електрически инструменти помежду им. Подходящ е и за временна оценка на вибрационното натоварване.

Посоченото ниво на вибрациите представя основните приложения на електрическия инструмент. Ако обаче електрическият инструмент се използва с друго предназначение, с различни сменяеми инструменти или при недостатъчна техническа поддръжка, нивото на вибрациите може да е различно. Това чувствително може да увеличи вибрационното натоварване по време на целия работен цикъл.

За точната оценка на вибрационното натоварване трябва да се вземат предвид и периодите от време, в които уредът е изключен или работи, но в действителност не се използва. Това чувствително може да намали вибрационното натоварване по време на целия работен цикъл.

Определете допълнителни мерки по техника на безопасност в защита на обслужващия работник от въздействието на вибрациите като например: техническа поддръжка на електрическия инструмент и сменяемите инструменти, поддръжане на ръцете топли, организация на работния цикъл.

ВНИМАНИЕ! Прочетете всички указания за безопасност, инструкции, илюстрации и спецификации за този електроинструмент. Пропуските при спазване на приведените по-долу указания могат да доведат до токов удар, пожар и/или тежки травми.

Запазете тези инструкции и указания за безопасност за бъдещи справки.

УКАЗАНИЯ ЗА БЕЗОПАСНОСТ ЗА БОРМАШИНИ

• Използвайте винаги допълнителната ръкохватка. Загубата на контрол може да доведе до наранявания.

• Преди започване на работа хванете здраво уреда за предвидената за целта ръкохватка. Уредът създава висок начален въртящ момент и ако по време на работа не го държите здраво, можете да загубите контрол над него и да се нараните.

• Дръжте уреда за изолираните ръкохватки, когато извършвате работи, при които режещият инструмент може да засегне скрити електроинсталационни кабели или собствения си кабел.

Контактът на режещия инструмент с тоководещ проводник може да предаде напрежението върху метални части на уреда и да доведе до токов удар.

УКАЗАНИЯ ЗА БЕЗОПАСНОСТ ПРИ ИЗПОЛЗВАНЕТО НА ДЪЛГИ СВРЕДЛА

• Никога не използвайте по-високи обороти от максималните обороти, предвидени за пробивация накрайник. При по-високи обороти накрайникът може да се огъне, когато се върти без контакт с детайла, което може да доведе до наранявания.

• Винаги стартирайте с ниски обороти и работете с такива, когато пробиващият накрайник се намира в контакт с

детайла. При по-високи обороти накрайникът може да се огъне, когато се върти без контакт с детайла, което може да доведе до наранявания.

• Винаги прилагайте натиск само в директна посока към пробиващия накрайник и не натискайте прекалено силно. Пробиващите накрайници могат да се огънат и да се счупят, или да причинят загуба на контрол над уреда, поради което да се стигне до наранявания.

ДОПЪЛНИТЕЛНИ УКАЗАНИЯ ЗА РАБОТА И БЕЗОПАСНОСТ

Да се използват предпазни средства. При работа с машината винаги носете предпазни очила. Препоръчват се защитно облекло и прахозащитна маска, защитни ръкавици, здрави и нехлъзгащи се обувки, каска и предпазни средства за слуха.

Прахът, който се образува при работа, често е вреден за здравето и не бива да попада в тялото. Да се носи подходяща прахозащитна маска.

Не е разрешена обработката на материали, които представляват опасност за здравето (напр. азбест).

Ако използваният инструмент блокира, изключете веднага уреда! Не включвайте уреда отново, докато използваният инструмент е блокиран; това би могло да доведе до откат с висока реактивна сила. Открийте и отстранете причината за блокирането на използвания инструмент имайки в предвид инструкциите за безопасност.

Възможните причини за това могат да бъдат:

- Заклинване в обработваната част
- Пробиване на материала
- Пренатоварване на електрическия инструмент

Не бъркайте в машината, докато тя работи.

Използваният инструмент може да загрее по време на употреба. **ВНИМАНИЕ!** Опасност от изгаряния

- при смяна на инструмента
- при оставяне на уреда

Стружки или отчупени парчета да не се отстраняват, докато машина работи.

Свързващият кабел винаги да се държи извън работния обег на машината. Кабелът да се отвежда от машината винаги назад.

При работа в стени, тавани или подове внимавайте за кабели, газопроводи и водопроводи.

Закрепете обработваната част с устройство за захващане.

Незакрепени части за обработка могат да причинят сериозни наранявания и материални щети.

Преди каквито и да е работи по машината извадете щепсела от контакта.

При големи диаметри на пробивания отвор допълнителната ръкохватка трябва да се закрепят перпендикулярно на основната ръкохватка. Виж също в частта със снимки, точка "Завъртане на ръкохватката".

ИЗПОЛЗВАНЕ ПО ПРЕДНАЗНАЧЕНИЕ

Бормашината може да се използва за пробиване на дърво, метал и пластмаса и за завинтване.

Този уред може да се използва по предназначение само както е посочено.

СЕ - ДЕКЛАРАЦИЯ ЗА СЪОТВЕТСТВИЕ

Заявяваме под собствена отговорност, че описаният в "Технически данни" продукт съответства на всички важни разпоредби на директива 2011/65/EU (RoHS), 2014/30/EU, 2006/42/EO, както и на всички следващи нормативни документи във тази връзка.

EN 62841-1:2015

EN 62841-2-1:2018+A11:2019

EN 55014-1:2017+A11:2020

EN 55014-2:2015

EN 61000-3-2:2014

EN 61000-3-3:2013

EN IEC 63000:2018

Winnenden, 2020-11-05

Alexander Krug

Alexander Krug
Managing Director



Упълномощен за съставяне на техническата документация

Technronic Industries GmbH
Max-Eyth-Straße 10
71364 Winnenden
Germany

ЗАЩИТА НА ДВИГАТЕЛЯ В ЗАВИСИМОСТ ОТ НАТОВАРВАНЕТО

Контактите във външните участъци трябва да бъдат оборудвани със защитни прекъсвачи за утечен ток (FI, RCD, PRCD). Това изисква предписанието за инсталиране за електрическата инсталация. Моля спазвайте това при използване на Вашия уред.

Да се свързва само към еднофазен променлив ток и само към мрежово напрежение, посочено върху заводската табелка. Възможно е и свързване към контакт, който не е от тип "шукко", понеже конструкцията е от защитен клас II.

Свързвайте уреда към контакта само в изключено състояние.

ПОДДРЪЖКА

Вентилационните шлицы на машината да се поддържат винаги чисти.

Препоръчва се редовно използване на спреи за почистване на затегателните челюсти и на техните отвори.

Ако е повреден съединителният проводник на електроинструмента, той трябва да се замени със специален предварително подготвен съединителен проводник, който може да се закупи чрез организацията за клиентско обслужване.

Да се използват само аксесоари на Milwaukee и резервни части на. Елементи, чията подмяна не е описана, да се дадат за подмяна в сервис на Milwaukee (вижте брошурата "Гаранция и адреси на сервиси").

При необходимост можете да поискате за уреда от Вашия сервис или директно от Technronic Industries GmbH, Max-Eyth-Straße 10, 71364 Winnenden, Germany, чертеж за в случай на експлозия, като посочите типа на машината и номер върху заводската табелка.

СИМВОЛИ

	ВНИМАНИЕ! ПРЕДУПРЕЖДЕНИЕ! ОПАСНОСТ
	Преди каквито и да е работи по машината извадете щепсела от контакта.
	Преди пускане на уреда в действие моля прочетете внимателно инструкцията за използване.
	Аксесоари - Не се съдържат в обема на доставката, препоръчвано допълнение от програмата за аксесоари.
	Електрическите уреди не трябва да се изхвърлят заедно с битовите отпадъци. Електрическото и електронното оборудване трябва да се събират отделно и да се предават на службите за рециклиране на отпадъците според изискванията за опазване на околната среда. Информирайте се при местните служби или при местните специализирани търговци относно местата за събиране и центровете за рециклиране на отпадъци.
	Електроинструмент от защитен клас II. Електроинструмент, при който защитата от електрически удар зависи не само от основната изолация, а и от обстоятелството, че се използва допълнителни защитни мерки като двойна изолация или усилена изолация. Няма приспособление за присъединяване на защитен проводник.
n_0	Обороти на празен ход
V	Напрежение
	Променлив ток
	Европейски знак за съответствие
	Британски знак за съответствие
	Украински знак за съответствие
	EurAsian знак за съответствие.

DATE TEHNICE	MAȘINĂ DE GĂURIT	HDE 13 RQX	HDE 10 RQX	HDE 6 RQ
Număr producție	3844 92 05.....	3845 23 05.....	7520 27 05.....	
	...000001-999999	...000001-999999	...000001-999999	
Putere nominală de ieșire	950 W	725 W	725 W	
Putere de iesire	475 W	362 W	362 W	
Viteza de mers în gol	0-900 min ⁻¹	0-1200 min ⁻¹	0-4200 min ⁻¹	
Viteza sub sarcina max	0-550 min ⁻¹	0-795 min ⁻¹	0-2680 min ⁻¹	
Capacitate de găurire în oțel	13 mm	10 mm	6 mm	
Capacitate de găurire în lemn de esență moale	38 mm	30 mm	16 mm	
Capacitate de găurire în aluminiu	20 mm	13 mm	8 mm	
Interval de deschidere burghiu	1,5-13 mm	1,0-10 mm	1,0-10 mm	
Capăt de acționare	1/2"x20	1/2"x20	3/8"x24	
Greutate conform „EPTA procedure 01/2014”	2,0 kg	1,9 kg	1,4 kg	

Informație privind zgomotul

Valori măsurate determinate conform EN 62841.

Valori de zgomot evaluat cu A al aparatului este tipic de:

Nivelul presiunii sonore (Nesiguranță K=3dB(A))..... 99 dB (A)..... 99 dB (A)..... 99 dB (A)

Nivelul sunetului (Nesiguranță K=3dB(A))..... 110 dB (A)..... 110 dB (A)..... 110 dB (A)

Purtați căști de protecție

Informații privind vibrațiile

Valorile totale de oscilație (suma vectorială pe trei direcții determinate conform normei EN 62841.

Valoarea emisiei de oscilații a_h..... 5,4 m/s²..... 2,7 m/s²..... 6,8 m/s²

Nesiguranță K= 1,5 m/s²..... 1,5 m/s²..... 1,5 m/s²

AVERTISMENT

Gradul de oscilație indicat în prezentele instrucțiuni a fost măsurat în conformitate cu o procedură de măsurare normală prin norma EN 62841 și poate fi folosit pentru a compara unelte electrice între ele. El se pretează și pentru o evaluare provizorie a solicitării la oscilații.

Gradul de oscilație indicat reprezintă aplicațiile principale ale uneltelor electrice. În cazul în care însă uneltele electrice au fost folosite pentru alte aplicații, ori au fost folosite unelte de muncă diferite ori acestea nu au fost supuse unei suficiente inspecții de întreținere, gradul de oscilație poate fi diferit.

Acest fapt poate duce la o creștere netă a solicitărilor la oscilații dealungul întregii perioade de lucru.

În scopul unei evaluări exacte a solicitării la oscilații, urmează să fie luate în considerație și perioadele de timp în care aparatul a fost oprit ori funcționează dar, în realitate, el nu este folosit în mod practic. Acest fapt poate duce la o reducere netă a solicitărilor la oscilații dealungul întregii perioade de lucru.

Stabilități măsurate de siguranță suplimentare în scopul protecției utilizatorului de efectele oscilațiilor, de exemplu: inspecție de întreținere a uneltelor electrice și a celor de muncă, păstrarea caldă a mâinilor, organizarea proceselor de muncă.

AVERTISMENT A se citi toate avertismentele, instrucțiunile, ilustrațiile și specificațiile privind siguranța furnizate cu această unealtă electrică. Nerespectarea tuturor instrucțiunilor listate mai jos poate cauza șocuri electrice, incendii și/sau vătămări corporale grave.
Păstrați toate indicațiile de avertizare și instrucțiunile în vederea utilizărilor viitoare.

INSTRUCȚIUNI DE SIGURANȚĂ PENTRU MAȘINILE DE GAURIT

- **Utilizați întotdeauna mânerul auxiliar.** Pierderea controlului poate provoca rănirea persoanelor.
- **Înainte de începerea lucrului apucați bine aparatul de mânerul prevăzut în acest scop.** Acest aparat produce un cuplu de ieșire ridicat și, dacă nu îl țineți bine în timpul funcționării, puteți pierde controlul asupra aparatului și vă puteți răni.
- **Țineți aparatul de mânerul izolat când executați lucrări la care scula tăietoare poate nimeri peste conductori electrici ascunși sau peste cablul propriu.** Intrarea în contact a sculei tăietoare cu o linie electrică prin care circulă curent poate pune sub tensiune și componente metalice ale aparatului și să ducă la electrocutare.

INSTRUCȚIUNI DE SIGURANȚĂ PENTRU UTILIZAREA BURGHIELOR LUNGI

- **Nu utilizați niciodată o turație mai mare decât turația maximă indicată pentru burghiu.** La turații mai mari, burghiu se poate îndoi când se rotește fără contact cu piesa, ceea ce poate duce la accidentări.

- **Începeți întotdeauna cu o turație mică și în timp ce burghiu se află în contact cu piesa.** La turații mai mari, burghiu se poate îndoi când se rotește fără contact cu piesa, ceea ce poate duce la accidentări.
- **Exerțiți întotdeauna presiune numai direct pe burghiu și nu apăsați prea tare.** Burghiile se pot îndoi și se pot rupe sau pot conduce la pierderea controlului asupra aparatului, ceea ce poate antrena accidentări.

INSTRUCȚIUNI SUPLIMENTARE DE SIGURANȚĂ ȘI DE LUCRU

Folosiți echipament de protecție . Purtați întotdeauna ochelari de protecție când lucrați cu mașina . Se recomandă utilizarea hainelor de protecție ca de ex. Măști contra prafului, mănuși de protecție, încălțăminte stabilă nealunecoasă, cască și aparatoare de urechi.

Praful care apare când se lucrează cu această sculă poate fi dăunător sănătății și prin urmare nu trebuie să atinga corpul. Purtați o mască de protecție corespunzătoare împotriva prafului.

Nu se admite prelucrarea unui material care poate pune în pericol sănătatea operatorului (de exemplu azbestul).

La blocarea sculei demontabile vă rugăm să deconectați imediat aparatul! Nu conectați aparatul atâta timp cât scula demontabilă este blocată; dacă o faceți, s-ar putea să se producă un recul cu un cuplu mare de reacție. Găsiți și remediați cauza de blocare a sculei demontabile respectând indicațiile pentru siguranță.

Cauzele posibile pot fi:

- Agățarea în piesa de prelucrat
- Străpungerea materialului de prelucrat
- Suprasolicitarea sculei electrice

Nu atingeți părțile mașinii aflate în rotație.

Scula introdusă poate să devină fierbinte în timpul utilizării.

AVERTISMENT! Pericol de arsuri

- la schimbarea sculei
- la depunerea aparatului

Rumegușul și spanul nu trebuie îndepărtate în timpul funcționării mașinii.

Pastrați cablul de alimentare la o distanță de aria de lucru a mașinii. Întotdeauna țineți cablul în spatele dvs.

Când se lucrează pe pereți, tavan sau dușumea, aveți grijă să evitați cablurile electrice și țevile de gaz sau de apă.

Asigurați piesa de prelucrat cu un dispozitiv de fixare. Piesele neasigurate pot provoca accidentări grave și stricăciuni.

Întotdeauna scoateți stecarul din priză înainte de a efectua intervenții la mașină.

Când se lucrează cu diametre de perforare mari, manerul auxiliar trebuie fixat în unghi drept față de manerul principal (vezi ilustrații, secțiunea "Răscuire mâner")

CONDIȚII DE UTILIZARE SPECIFICATE

Mașina de găurit poate fi folosită pentru a da găuri în lemn, metal și materiale plastice și pentru înșurubare.

Nu utilizați acest produs în alt mod decât cel stabilit pentru utilizare normală

DECLARAȚIE DE CONFORMITATE

Declarăm pe propria răspundere că produsul descris la "Date tehnice" este în concordanță cu toate prevederile legale relevante ale Directivei 2011/65/EU (RoHS), 2014/30/UE, 2006/42/CE și cu următoarele norme armonizate:

EN 62841-1:2015

EN 62841-2-1:2018+A11:2019

EN 55014-1:2017+A11:2020

EN 55014-2:2015

EN 61000-3-2:2014

EN 61000-3-3:2013

EN IEC 63000:2018

Winnenden, 2020-11-05

Alexander Krug

Alexander Krug
Managing Director



Împuternicit să elaboreze documentația tehnică.

Techronic Industries GmbH

Max-Eyth-Straße 10

71364 Winnenden

Germany

ALIMENTARE DE LA REȚEA

Aparatele utilizate în multe locații diferite inclusiv în aer liber trebuie conectate printr-un disjunctor (FI, RCD, PRCD) care previne comutarea.

Conectați numai la priză de curent alternativ monofazat și numai la tensiunea specificată pe placuța indicatoare. Se permite conectarea și la prize fără împământare dacă modelul se conformează clasei II de securitate.

Asigurați-vă că aparatul este oprit, înainte de conectare .

ÎNȚEȚINERE

Fantele de aerisire ale mașinii trebuie să fie menținute libere tot timpul

Se recomandă utilizarea regulată a unui aspirator pentru fâlcile de strângere și orificiile acestora.

În cazul în care cablul de conectare al sculei electrice este deteriorat, acesta se înlocuiește cu un cablu special pregătit care se poate obține prin centrele de service.

Utilizați numai accesorii și piese de schimb Milwaukee. Dacă unele din componente care nu au fost descrise trebuie înlocuite , vă rugăm contactați unul din agenții de service Milwaukee (vezi lista noastră pentru service / garanție)

Dacă este necesară, se poate comanda o imagine descompusă a sculei. Vă rugăm menționați numărul art. Precum și tipul mașinii tipărit pe etichetă și comandați desenul la agenții de service local sau direct la Techronic Industries GmbH, Max-Eyth-Straße 10, 71364 Winnenden, Germany.

SIMBOLURI

	PERICOL! AVERTIZARE! ATENȚIE!
	Întotdeauna scoateți stecarul din priză înainte de a efectua intervenții la mașină.
	Vă rugăm citiți cu atenție instrucțiunile înainte de pornirea mașinii
	Accesorii - Nu este inclus în echipamentul standard , disponibil ca accesorii
	Aruncarea aparatelor electrice la gunoii menajer este interzisă. Echipamentele electrice și electronice trebuie colectate separat și predate la un centru de reciclare și eliminare a deșeurilor, pentru a fi eliminate ecologic. Interesați-vă la autoritățile locale sau la comerciantul dvs. de specialitate unde se află centre de reciclare și puncte de colectare.
	Sculă electrică cu clasa de protecție II. Sculă electrică la care protecția împotriva unei electrocutări nu depinde doar de izolația de bază, ci și de aplicarea de măsuri suplimentare de protecție, cum ar fi o izolație dublă sau o izolație mai puternică. Nu există un dispozitiv pentru conectarea unui conductor de protecție.
n_n	Viteza de mers în gol
v	Tensiune
	Curent alternativ
	Marcă de conformitate europeană
	Marcă de conformitate britanică
	Marcă de conformitate ucraineană
	Marcă de conformitate eurasiatică

ТЕХНИЧКИ ПОДАТОЦИ	БОРМАШИНА	HDE 13 RQX	HDE 10 RQX	HDE 6 RQ
Производен број.....	3844 92 05.....	3845 23 05.....	7520 27 05.....	000001-999999.....
Определен внес.....	950 W.....	725 W.....	725 W.....	000001-999999.....
Излез.....	475 W.....	362 W.....	362 W.....	0-900 min ⁻¹
Брзина без оптоварување.....	0-900 min ⁻¹	0-1200 min ⁻¹	0-4200 min ⁻¹	0-550 min ⁻¹
Брзина при максимално оптоварување.....	0-550 min ⁻¹	0-795 min ⁻¹	0-2680 min ⁻¹	13 mm.....
Капацитет на дупчење во челик.....	13 mm.....	10 mm.....	6 mm.....	38 mm.....
Капацитет на дупчење во меко дрво.....	38 mm.....	30 mm.....	16 mm.....	20 mm.....
Капацитет на дупчење во алуминиум.....	20 mm.....	13 mm.....	8 mm.....	1,5-13 mm.....
Опсег на отворање на бушотина.....	1,5-13 mm.....	1,0-10 mm.....	1,0-10 mm.....	1/2"x20.....
Возен крак.....	1/2"x20.....	1/2"x20.....	3/8"x24.....	2,0 kg.....
Тежина според ЕПТА-процедурата 01/2014.....	2,0 kg.....	1,9 kg.....	1,4 kg.....	

Информации за бучавата

Измерените вредности се одредени согласно стандардот EN 62841.

A-оценетото ниво на бучава на апаратот типично изнесува:

Ниво на звучен притисок. (Несигурност K=3dB(A))..... 99 dB (A)..... 99 dB (A)..... 99 dB (A)

Ниво на јачина на звук. (Несигурност K=3dB(A))..... 110 dB (A)..... 110 dB (A)..... 110 dB (A)

Носте штитник за уши.

Информации за вибрации

Вкупни вибрациски вредности (векторски збир на трите насоки)

пресметани согласно EN 62841.

Вибрациска емисиона вредност a_h..... 5,4 m/s²..... 2,7 m/s²..... 6,8 m/s²

Несигурност K..... 1,5 m/s²..... 1,5 m/s²..... 1,5 m/s²

ПРЕДУПРЕДУВАЊЕ

Нивото на осцилација наведено во овие инструкции е измерено во согласност со мерните постапки нормирани во EN 62841 и може да биде употребено за меѓусебна споредба на електро-алати. Ова ниво може да се употреби и за привремена проценка на оптоварувањето на осцилацијата.

Наведеното ниво на осцилација ги репрезентира главните намени на електро-алатот. Но, доколку електро-алатот се употребува за други намени, со отстапувачки додатоци или со несоодветно одржување, нивото на осцилација може да отстапи. Тоа може значително да го зголеми оптоварувањето на осцилацијата за време на целиот работен период.

За прецизна проценка на оптоварувањето на осцилацијата предвид треба да бидат земени и времињата, во коишто апаратот е исклучен или работи, но фактички не се употребува. Тоа може значително да го намали оптоварувањето на осцилацијата за време на целиот работен период.

Утврдете дополнителни безбедносни мерки за заштита на операторот од влијанието на осцилациите, како на пример: одржување на електро-алатот и на додатоци кон електро-алатот, одржување топли раце, организација на работните процеси.

▲ ПРЕДУПРЕДУВАЊЕ! Прочитајте ги сите безбедносни упатства, инструкции, илустрации и спецификации за овој електричен алат. Недоследно почитување на подолу наведените упатства може да предизвика електричен удар, пожар и/или сериозни повреди. **Чувајте ги сите предупредувања и упатства за употреба.**

▲ БЕЗБЕДНОСНИ НАПОМЕНИ ЗА ПЕРКУСИОНИ БОРМАШИНИ

- **Секогаш користете ја помошната рачка.** Губењето контрола може да предизвика повреда.
- **Пред почетокот на работата сфатите ја алатката цврсто за рачката.** Оваа алатка произведува висок вртежен момент и ако не ја држите цврсто за време на работата, може да ја изгубите контролата и да се повредите.
- **Држете го електричниот алат за издадените површини при изведување на операции при кои алатот за сечење можат да дојдат во контакт со скриени жици или сопствениот гајтан.** Контакт со жица под напон исто така ќе направи проводници од металните делови и оној кој ракува со алатот ќе доживее струен удар.

БЕЗБЕДНОСНИ ИНСТРУКЦИИ ПРИ КОРИСТЕЊЕ НА ДОЛГИ ВЕЖБИ ЗА БУШЕЊЕ

- **Никогаш не ракувајте со поголема брзина од максималната брзина која е одредена за вежбата за бушење.** При поголема брзина, вежбата може да се искриви кога се ротира без контакт со работното парче, што може да резултира со лична повреда.
- **Секогаш започнувајте со мала брзина и додека вежбата е во контакт со работното парче.** При поголема брзина,

вежбата може да се искриви кога се ротира без контакт со работното парче, што може да резултира со лична повреда.

- **Секогаш применувајте го притисокот во директна насока со вежбата за бушење и не притискајте премногу напорно.** Вежбите за бушење можат да се искриват и да се скршат или да резултираат со губење на контролата над алатката, што може да доведе до лична повреда.

ОСТАНАТИ БЕЗБЕДНОСНИ И РАБОТНИ УПАТСТВА

Употребувајте заштитна опрема. При работа со машината постојано носете заштитни очила. Се препорачува заштитна облека како: маска за заштита од прашина, заштитни ракавици, цврсти чевли што не се лизгаат, кацига и заштита за уши.

Пршината која се создава при користење на овој алат може да биде штетна по здравјето. Не ја вдишувајте. Носете соодветна заштитна маска.

Не смеат да бидат обработувани материјали кои што можат да го загрозат здравјето (на пр. азбест).

Доколку употребуваното орудие се блокира, молиме веднаш да се исклучи апаратот! Не го вклучувајте апаратот повторно додека употребуваното орудие е блокирано; притоа би можело да дојде до повратен удар со висок момент на реакција. Испитајте и отстранете ја причината за блокирањето на употребеното орудие имајќи ги во предвид напомените за безбедност.

Можни причини би можеле да се:

- Заканување во парчето кое што се обработува
- Кршење поради продирање на материјалот кој што се обработува
- Преоптоварување на електричното орудие

Не фаќајте во машината кога работи.

Употребеното орудие за време на примената може да стане многу жешко.

ПРЕДУПРЕДУВАЊЕ! Опасност од изгоретини

- при менување на орудието
- при ставање на апаратот на страна

Прашината и струготините не смеат да се одстрануваат додека е машината работи.

Чувајте го кабелот за напојување подалеку од работната површина. Секогаш водете го кабелот позади вас.

Кога работите на сидови, таван или под внимавајте да ги избегнете електричните, гасните и водоводни инсталации.

Обезбедете го предметот кој што го обработувате со напреа за напон. Небезбедени парчиња кои што се обработуваат можат да предизвикаат тешки повреди и оштетувања.

Секогаш кога преземате активности врз машината исклучете го кабелот од струјата.

Кога работите со големи дијаметри на бушотина, помошната рачка мора да биде врзана под вистински агол со главната рачка (видете илустрации, дел., Вртење на рачката,,).

СПЕЦИФИЦИРАНИ УСЛОВИ НА УПОТРЕБА

Дупчалката може да биде употребена за дупчење во дрво, метал и пластика и за зашрафување.

Не го користете овој производ на било кој друг начин освен пропишаниот за нормална употреба.

ЕУ-ДЕКЛАРАЦИЈА ЗА СООБРАЗНОСТ

Во своја сопствена одговорност изјавуваме дека под "Технички податоци" опишаниот производ е во склад со сите релевантни прописи од регулативата 2011/65/EU (RoHS), 2014/30/EU, 2006/42/EC и следните хармонизирачки нормативни документи:

EN 62841-1:2015
EN 62841-2-1:2018+A11:2019
EN 55014-1:2017+A11:2020
EN 55014-2:2015
EN 61000-3-2:2014
EN 61000-3-3:2013
EN IEC 63000:2018

Winnenden, 2020-11-05

Alexander Krug

Alexander Krug
Managing Director



Ополномоштен за составување на техничката документација.

Techtron Industries GmbH
Max-Eyth-Straße 10
71364 Winnenden
Germany

ГЛАВНИ ВРСКИ

Уредите кои се користат на многу различни локации вклучувајќи и отворен простор мора да бидат поврзани за струја преку направата за поврзување (FI, RCD, PRCD).

Да се спои само за една фаза AC коло и само на главниот напон наведен на плочката. Можно е исто така и поврзување на приклучок без заземјување доколку изведбата соодветствува на безбедност од 2 класа.

Бидете сигурни дека машината е исклучена пред да ја вклучите во струја.

ОДРЖУВАЊЕ

Вентилациските отвори на машината мора да бидат комплетно отворени постојано.

Се препорачува редовно користење на клинер за стегите и затегаците.

Доколку приклучниот вод на електричното орудие е оштетено, ќе мора да се замени со специјално подесен вод кој што може да се добие преку сервисната организација.

Користете само Milwaukee додатоци и резервни делови. Доколку некои од компонентите кои не се опишани треба да бидат заменети, Ве молиме контактирајте ги сервисните агенти на Milwaukee (консултирајте ја листата на адреси).

Доколку е потребно можно е да биде набавен детален приказ на алатот. Ве молиме наведете го бројот на артиклот како и типот на машина кој е отпечатан на етикетата и порачајте ја скицата кај локалниот застапник или директно кај: Techtron Industries GmbH, Max-Eyth-Straße 10, 71364 Winnenden, Germany.

СИМБОЛИ

	ВНИМАНИЕ! ПРЕДУПРЕДУВАЊЕ! ОПАСНОСТ!
	Секогаш кога преземате активности врз машината исклучете го кабелот од струјата.
	Ве молиме пред да ја стартувате машината обрнете внимание на упатствата за употреба.
	Дополнителна опрема - Не е вклучена во стандардната, а достапна е како додаток.
	Електричните апарати не смеат да се фрлат заедно со домашниот отпад. Електричните и електронските апарати треба да се собираат одделно и да се однесат во соодветниот погон заради нивно фрлање во склад со начелата за заштита на околината. Информирајте се кај Вашите местни служби или кај специјализираниот трговски претставник, каде има такви погони за рециклажа и собирни станици.
	Електрично орудие од заштитната категорија II. Електрично орудие чијашто заштита од електричен удар не зависи само од основната изолација туку и од тоа дали ќе се применат дополнителните заштитни мерки како што се двоструките изолации или појачаната изолација. Не постои никаква направа за приклучување на некој заштитен вод.
	Брзина без оптоварување
	Волти
	Наизменична струја
	Европска ознака за сообразност
	Британска ознака за сообразност
	Украинска ознака за сообразност
	Евроазиска ознака за сообразност

ТЕХНІЧНІ ХАРАКТЕРИСТИКИ	УДАРНИЙ ДРИЛЬ/ГВИНТОКРУТ	HDE 13 RQX	HDE 10 RQX	HDE 6 RQ
Номер виробу.....	3844 92 05.....	3845 23 05.....	7520 27 05.....	
	...000001-999999	...000001-999999	...000001-999999	
Номінальна споживана потужність.....	950 W	725 W	725 W	
Віддавана потужність.....	475 W	362 W	362 W	
Кількість обертів холостого ходу.....	0-900 min ⁻¹	0-1200 min ⁻¹	0-4200 min ⁻¹	
Кількість обертів під навантаженням макс.....	0-550 min ⁻¹	0-795 min ⁻¹	0-2680 min ⁻¹	
Ø свердління сталі.....	13 mm	10 mm	6 mm	
Ø свердління деревини.....	38 mm	30 mm	16 mm	
Ø свердління алюмінію.....	20 mm	13 mm	8 mm	
Ділянка затискання свердлильного патрона.....	1,5-13 mm	1,0-10 mm	1,0-10 mm	
Розточувальний шпіндель.....	1/2"x20	1/2"x20	3/8"x24	
Вага згідно з процедурою EPTA 01/2014.....	2,0 kg	1,9 kg	1,4 kg	

Інформація про шум

Вимірні значення визначені згідно з EN 62841.

Рівень шуму "А" приладу становить в типовому випадку:

Рівень звукового тиску (похибка K = 3 дБ(А)).....99 dB (A).....99 dB (A).....99 dB (A)

Рівень звукової потужності (похибка K = 3 дБ(А)).....110 dB (A).....110 dB (A).....110 dB (A)

Використовувати засоби захисту органів слуху!

Інформація щодо вібрації

Сумарні значення вібрації (векторна сума трьох напрямків), встановлені згідно з EN 62841.

Значення вібрації a_h.....5,4 m/s².....2,7 m/s².....6,8 m/s²

похибка K =.....1,5 m/s².....1,5 m/s².....1,5 m/s²

* Вимірюється за стандартом Milwaukee N 877318

ПОПЕРЕДЖЕННЯ!

Рівень вібрації, вказаний в цій інструкції, вимірювався згідно з методом вимірювання, нормованим стандартом EN 62841, і може використовуватися для порівняння електроінструментів. Він призначений також для попередньої оцінки навантаження від вібрації.

Вказаний рівень вібрації відповідає основним сферам використання електроінструменту. Але якщо електроінструмент використовується для іншої мети, з іншими встаними інструментами або при недостатньому технічному обслуговуванні, рівень вібрації може бути іншим. Це може значно підвищити навантаження від вібрації за весь період роботи.

Для точної оцінки навантаження від вібрації необхідно також враховувати час, коли прилад виконаний або увімкнений, але фактично не використовується. Це може значно зменшити навантаження від вібрації за весь період роботи.

Визначте додаткові заходи безпеки для захисту оператора від дії вібрації, наприклад: Технічне обслуговування електроінструменту та встаних інструментів, зігрівання рук, організація робочих процесів.

⚠ УВАГА! Ознайомитись з усіма попередженнями з безпечного використання, інструкціями, ілюстративним матеріалом та технічними характеристиками, які надаються з цим електричним інструментом. Недотримання всіх наведених нижче інструкцій може призвести до ураження електричним струмом, пожежі та/або важких травм. **Зберігати всі попередження та інструкції для використання в майбутньому.**

⚠ ВКАЗІВКИ З ТЕХНІКИ БЕЗПЕКИ ДЛЯ ДРИЛІВ

- Завжди користуйтеся додатковою рукояткою. Втрата контролю може призвести до пошкоджень.
 - Перед початком роботи надійно утримуйте пристрій за допомогою передбаченої для цього ручки. Цей пристрій створює високий крутний момент на вихідному валу, тому якщо міцно не тримати його під час роботи, можна втратити над ним контроль і отримати пошкодження.
 - Під час виконання робіт тримайте прилад за ізольовані поверхні рукоятки, якщо вставний інструмент може натрапити на приховані електричні лінії або власний мережевий кабель.
- Контакт з лінією під напругою може призвести до появи напруги в металевих частинах приладу та до ураження електричним струмом.

ПРАВИЛА ТЕХНІКИ БЕЗПЕКИ ПРИ ВИКОРИСТАННІ ДОВГИХ СВЕРДЕЛ

- Ніколи не застосовуйте більш високу швидкість, ніж максимальна швидкість, вказана для свердла. На більш високих швидкостях свердло може зігнутися, якщо обертатиметься без контакту з оброблюваним виробом, що може призвести до пошкодження.

- Завжди починайте роботу на низькій швидкості і коли свердло контактує з оброблюваним виробом. На більш високих швидкостях свердло може зігнутися, якщо обертатиметься без контакту з оброблюваним виробом, що може призвести до пошкодження.
- Завжди застосовуйте тиск виключно вздовж осі свердла і не натискайте надто сильно. Свердла можуть згинатися і ламатися або призводити до втрати контролю над пристроєм, що в свою чергу також може призвести до пошкодження.

⚠ ДОДАТКОВІ ІНСТРУКЦІЇ З ТЕХНІКИ БЕЗПЕКИ ТА ЕКСПЛУАТАЦІЇ

Використовуйте індивідуальні засоби захисту. Під час роботи з машиною завжди носіть захисні окуляри. Радімо використовувати захисний одяг, як наприклад маску для захисту від пилу, захисні рукавиці, міцне та нековане взуття, каску та засоби захисту органів слуху.

Пил, що утворюється під час роботи, часто буває шкідливим для здоров'я; він не повинен потрапляти в організм. Носити відповідну маску для захисту від пилу.

Не можна обробляти матеріали, небезпечні для здоров'я (наприклад, азбест).

(Не в

При блокуванні вставного інструменту негайно вимкнути прилад!

Не вмикайте прилад, якщо вставний інструмент заблокований; при цьому може виникати віддача з високим зворотнім моментом.

Визначити та усунути причини блокування вставного інструменту з урахуванням вказівок з техніки безпеки.

Можливі причини:

- Перекіс в заготовці, що обробляється
- Пробивання оброблюваного матеріалу
- Перевантаження електроінструмента

Частини тіла не повинні потрапляти в машину, коли вона працює.

Вставний інструмент може нагріватися під час роботи.

ПОПЕРЕДЖЕННЯ! Небезпека опіків

- при заміні інструменту
- при відкладанні приладу

Не можна видаляти стружку або уламки, коли машина працює.

З'єднувальний кабель завжди тримати за межами радіуса дії машини. Вести кабель завжди позаду машини.

Під час роботи на стінах, стелях або підлозі звертати увагу на електричні кабелі, газові та водопровідні лінії.

Зафіксувати заготовку в затиску пристрої. Незакріплені заготовки можуть привести до тяжких травм та пошкоджень.

Перед будь-якими роботами на машині витягнути штекер із штепсельної розетки.

Для великого діаметру свердла необхідно закріпити додаткову рукоятку під прямим кутом до головної рукоятки (див. також в частині зображеннями, розділ "Повернути рукоятку").

ВИКОРИСТАННЯ ЗА ПРИЗНАЧЕННЯМ

Дриль можна використовувати для свердління деревини, металу та полімерного матеріалу, а також для привинчування.

Цей прилад можна використовувати тільки за призначенням так, як вказано в цьому документі.

СЕРТИФІКАТ ВІДПОВІДНОСТІ ВИМОГАМ ЄС

Ми заявляємо на власну відповідальність, що виріб, описаний в "Технічних даних", відповідає всім застосовним положенням директиви 2011/65/EU (RoHS), 2004/108/EC (до 19 квітня 2016), 2014/30/EU (від 20 квітня 2016), 2006/42/EG, та наступним гармонізованим нормативним документам:

EN 62841-1:2015

EN 62841-2-1:2018+A11:2019

EN 55014-1:2017+A11:2020

EN 55014-2:2015

EN 61000-3-2:2014

EN 61000-3-3:2013

EN IEC 63000:2018

Winnenden, 2020-11-05

Alexander Krug

Alexander Krug
Managing Director



Уповноважений із складання технічної документації.

Techtronic Industries GmbH
Max-Eyth-Straße 10
71364 Winnenden
Germany

ПІДКЛЮЧЕННЯ ДО МЕРЕЖІ

Штепсельні розетки за межами приміщень та на вологих ділянках повинні бути оснащені автоматичним запобіжним вимикачем, який спрацьовує при появі струму витоку (FI, RCD, PRCD). Для цього необхідні монтажні інструкції для вашої електричної системи. Майте це на увазі при користуванні нашим приладом.

Підключати лише до однофазного змінного струму і напруги мережі, які вказані на фірмовій табличці з паспортними даними. Можливе підключення також до штепсельних розеток без захисного контакту, адже інструкція має клас захисту II.

Підключати пристрій до штепсельної розетки лише вимкнутим.

ОБСЛУГОВУВАННЯ

Завжди підтримувати чистоту вентиляційних отворів.

Якщо мережевий кабель живлення пошкоджений, то його повинна замінити сервісна служба, щоб уникнути небезпеки.

Якщо лінія з'єднання електроінструменту з джерелом живлення пошкоджена, її необхідно замінити спеціальним проводом живлення, який можна отримати через організацію сервісного обслуговування.

Використовувати комплектуючі та запчастини тільки від Milwaukee. Деталі, заміна яких не описується, замінювати тільки в відділі обслуговування клієнтів Milwaukee (зверніть увагу на брошуру "Гарантія / адреси сервісних центрів").

У разі необхідності можна запросити креслення з зображенням вузлів машини в переспективному вигляді, для цього потрібно звернутися в ваш відділ обслуговування клієнтів або безпосередньо в Techtronic Industries GmbH, Max-Eyth-Straße 10, 71364 Winnenden, Німеччина, та вказати тип машини та шестизначний номер на фірмовій табличці з даними машини.

СИМВОЛИ

	УВАГА! ПОПЕРЕДЖЕННЯ! НЕБЕЗПЕЧНО!
	Перед будь-якими роботами на машині витягнути штекер із штепсельної розетки.
	Уважно прочитайте інструкцію з експлуатації перед введенням приладу в дію.
	Комплектуючі - не входять в обсяг поставання, рекомендовані доповнення з програми комплектуючих.
	Електричні прилади не можна утилізувати з побутовими відходами. Електричні та електронні прилади необхідно збирати окремо та здавати в спеціалізовані підприємства для утилізації, що не шкодить навколишньому середовищу. Зверніться до місцевих органів або до вашого дилера, щоб отримати адреси пунктів вторинної переробки та пунктів прийому.
	Електроінструмент класу захисту II. Електроінструмент, в якому захист від враження електричним струмом залежить не лише від високої ізоляції, але й від використовуваних додаткових засобів захисту, таких як подвійна ізоляція або посилена ізоляція. Немає пристроїв для підключення захисного з'єднання.
	Кількість обертів холостого ходу
	Напруга
	Змінний струм
	Європейський знак відповідності
	Британський знак відповідності
	Український знак відповідності
	Євразійський знак відповідності

مقرب دوراً	HDE 6 RQ	HDE 10 RQX	HDE 13 RQX
إنتاج عند	7520 27 05.....	3845 23 05.....	3844 92 05.....
النخل المقدر	...000001-999999	...000001-999999	...000001-999999
الخرج	W 725.....	W 725.....	W 950.....
أقصى سرعة دون وجود حمل	W 362.....	W 362.....	W 475.....
السرعة عند أقصى حمل	min ⁻¹ 0-4200.....	min ⁻¹ 0-1200.....	min ⁻¹ 0-900.....
قدرة الحفر في المعدن	min ⁻¹ 0-2680.....	min ⁻¹ 0-795.....	min ⁻¹ 0-550.....
قدرة الحفر في الخشب اللين	mm 6.....	mm 10.....	mm 13.....
قدرة الحفر في الألمنيوم	mm 16.....	mm 30.....	mm 38.....
نطاق ظرف المثقاب	mm 8.....	mm 13.....	mm 20.....
ساق التتوير	mm 1,0-10.....	mm 1,0-10.....	mm 1,5-13.....
الوزن وفقاً لنهج EPTA رقم 01/2014	x24*3/8.....	x20*1/2.....	x20*1/2.....
	kg 1,4.....	kg 1,9.....	kg 2,0.....

معلومات الضوضاء

القيم التي تم قياسها محددة وفقاً للمعايير الأوروبية EN 62841 ومستويات ضوضاء الجهاز، ترجيحاً بشكل نموذجي كالتالي: مستوى ضغط الصوت (الارتباب في القياس = 3 ديسيبل (A)) مستوى شدة الصوت (الارتباب في القياس = 3 ديسيبل (A)) ارتد وقياس الأذن!

معلومات الاهتزاز

قيم الذبذبات الإجمالي (مجموع الكميات الموجهة في المحاور الثلاثة) محددة وفقاً للمعايير الأوروبية EN 62841 (a) قيمة انبعاث الذبذبات (a) قيمة انبعاث الصوت في القياس

dB (A) 99..... dB (A) 99..... dB (A) 99.....
dB (A) 110..... dB (A) 110..... dB (A) 110.....

m/s² 6.8..... m/s² 2.7..... m/s² 5.4.....
m/s² 1.5..... m/s² 1.5..... m/s² 1.5.....

تحذير!

تم قياس مستوى انبعاث الذبذبات الموجود بوثيقة المعلومات هذه وفقاً للاختبار القياسي وفقاً للمعايير الأوروبية EN 62841 ويمكن استخدامه لمقارنة جهاز بغيره. كما يمكن استخدامه لعرض تقييم تمهيدي.

يمثل مستوى انبعاث الذبذبات المعين عنه تطبيقات الجهاز الرئيسية. بالرغم من ذلك، فإنه إذا ما تم استخدام الجهاز لتطبيقات مختلفة، فملحقات مختلفة أو بل يتم المحافظة عليه، فقد يختلف انبعاث الذبذبات. قد يزيد ذلك بصورة إيجابية من مستوى التعرض للذبذبات طوال فترة العمل الإجمالية.

يجب الوضع في الاعتبار عند تقدير مستوى التعرض للذبذبات مرات إيقاف الجهاز أو تشغيله. فقد يقل ذلك بصورة كبيرة من مستوى التعرض للذبذبات طوال فترة العمل الإجمالية.

تعرف على معايير السلامة الإضافية لحماية المشغل من آثار الذبذبات مثل: صيانة الجهاز والملحقات، الحفاظ على دفة الأيدي، وتنظيم نمائج العمل.

تحذير! اقرأ جميع تحذيرات الأمان والتعليمات والصور والمواصفات الواردة مع هذه المعدة الكهربائية. المخالفة في اتباع التعليمات المذكورة أسفله قد يكون نتيجتها صدمة كهربائية، حرق، أو إصابة بالغة. احتفظ بجميع التحذيرات والتعليمات للرجوع إليها في المستقبل.

تحذيرات السلامة عند استخدام المثقاب

- استخدم دائماً المقبض الإضافي. قد يسبب فقدان السيطرة حدوث إصابة شخصية.
- امسك الجهاز بإحكام قبل بداية العمل من المقبض المخصص لذلك. يُنتج هذا الجهاز عزم دوران عالي، وإذا كنت لا تُلمس جيداً أثناء التشغيل، فإنك قد تفقد السيطرة عليه وتتسبب في إصابة نفسك.
- امسك الآلة الكهربائية من أسطح القبض المعزولة فقط، وذلك عند القيام بعملية قد يلمس فيها أحد ملحقات آلة القطع أسلاك مخفية أو السلك الخاص بها.
- تسبب ملامسة أحد ملحقات آلة القطع بسلك كهربائي، "موصلة" في جعل الأجزاء المعدنية المكشوفة بالآلة الكهربائية، "موصلة" كهربائياً مما يجعل المشغل عرضة لصدمة كهربائية.

تعليمات السلامة الخاصة باستخدام المثقاب الطويلة

- لا تستخدم أبداً عزم دوران أعلى من القيمة القصوى لعزم الدوران المنصوص عليها في مجموعة الحفر. في حالة استخدام عزم دوران أعلى قد تنتهي مجموعة الحفر إذا كانت تدور دون ملامسة قطعة العمل، الأمر الذي قد يؤدي إلى وقوع إصابات.
- ابدأ العمل دائماً بعزم دوران منخفض، مع ملامسة عدة الحفر مع قطعة العمل أثناء ذلك. في حالة استخدام عزم دوران أعلى قد تنتهي مجموعة الحفر إذا كانت تدور دون ملامسة قطعة العمل، الأمر الذي قد يؤدي إلى وقوع إصابات.
- ابق الضغط دائماً في اتجاه مباشر على مجموعة الحفر، ولا تضغط أبداً بإحكام بالغ. قد تنتهي مجموعة الحفر وتتكسر أو ينجم عن ذلك فقدان السيطرة على الجهاز، الأمر الذي قد يؤدي إلى وقوع إصابات.

إرشادات أمان وعمل إضافية

استخدم معدة الوقاية. ارتد دائماً نظارة الوقاية عند العمل بالآلة. ينصح باستخدام الملابس الواقية مثل الكمامات الواقية من الغبار، والقفازات، والأحذية القوية غير المنزلقة، والخوذات، وواقيات الأذن.

قد تكون الأثرية الناتجة عن استخدام هذه الآلة ضارة بالصحة. لا تستنشق هذه الأثرية. ارتد قناعاً واقياً من الأثرية مناسباً.

بموجب هذا نقر على مسؤوليتنا المفردة، أن المنتج المذكور الموصوف تحت "البيانات الفنية" يلي جميع التعليمات الهامة الخاصة بالمعايير 2011/65/EU (RoHS), 2014/30/EU, 2006/42/EG ويتطابق مع وثائق المعايير المتوافقة التالية:

EN 62841-1:2015
EN 62841-2-1:2018+A11:2019
EN 55014-1-1:2017+A11:2020
EN 55014-2:2015
EN 61000-3-2:2014
EN 61000-3-3:2013
EN IEC 63000:2018

Winnenden, 2020-11-05



Alexander Krug
Managing Director
معمدة للمطابقة مع الملف الفني

Techtronic Industries GmbH
Max-Eyth-Straße 10
Winnenden 71364
Germany

توصيل الموصلات الرئيسية

يجب تزويد القوايس في الغرف الرطبة وفي الأماكن الخارجية بأزرار حماية ضد تيار العطل (FI, RCD, PRCD). هذا يتطلب تعليمات التركيب الخاصة بجهازك. الرجاء مراعاة ذلك عند استخدام جهازنا.

قم بالتوصيل بتيار متردد أحادي الطور ونظام الجهد الكهربائي المحدد على لوحة الجهد المقنن فقط. يمكن أيضاً التوصيل بالمقاييس غير المأهولة حيث يتطابق التصميم مع معايير سلامة الفئة الثانية لحماية الأجهزة الكهربائية.

تأكد من إيقاف تشغيل الآلة قبل توصيلها بالمقاييس الكهربائية.

الصيانة

يجب أن تكون فتحات تهوية الجهاز نظيفة طوال الوقت.

ينصح باستخدام المنظف دورياً لتنظيف فتوك التثبيت وخراطات فتوك التثبيت.

إذا تعرض سلك التيار الخاص بالأداة الكهربائية للضرر، يجب استبداله بسلك تيار خاص معد لذلك يمكن الحصول عليه من خدمة العملاء

استخدم فقط ملحقات ميلوكي وكذلك قطع غيار ميلوكي. إذا كانت المكونات التي يجب تغييرها غير مذكورة، يرجى الاتصال بأحد عملاء صيانة ميلوكي (انظر قائمة عناوين الضمان/الصيانة الخاصة بنا).

عند الحاجة يمكن طلب رمز انفجار الجهاز بعد ذكر طراز الآلة والرقم السداسي المذكور على بطاقة طاقة الآلة لدى جهة خدمة العملاء أو مباشرة لدى شركة Techtronic Industries GmbH, Max-Eyth-Straße 10, 71364 Winnenden ألمانيا

تنبيه! تحذير! خطراً!



افصل دائماً القوايس عن المقبس قبل تنفيذ أي عمل بالجهاز.



يرجى قراءة التعليمات بعناية قبل بدء تشغيل الجهاز.



الملحق - ليس مدرجاً كمعدة قياسية، متوفر كملحق.



يحظر التخلص من الأجهزة الكهربائية في القمامة المنزلية. يجب جمع الأجهزة الكهربائية والإلكترونية منفصلة وتسليمها للتخلص منها بشكل لا يضر بالبيئة لدى شركة إعادة استغلال. الرجاء الاستفسار لدى البيئات المحلية أو لدى التجار المتخصصين عن مواقع إعادة الاستغلال ومواقع الجمع.

أداة كهربائية ذات درجة حماية 2

أداة كهربائية لا تتوفر الحماية فيها من الصعق الكهربائي ليس فقط على العزل الأساسي، بل أيضاً على إجراءات الحماية الإضافية، مثل العزل المزدوج أو العزل المقوى. ليس هناك تجهيزات لتوصيل تارض واقى



n₀

أقصى سرعة دون وجود حمل

v

وحدات الفولط



التيار المتردد



علامة التوافق الأوروبية



علامة التوافق البريطانية



علامة التوافق الأوكرانية



علامة التوافق الأوروبية الآسيوية



Copyright 2020
Techtronic Industries GmbH
Max-Eyth-Str. 10
71364 Winnenden
Germany
+49 (0) 7195-12-0
www.milwaukeeetool.eu

Techtronic Industries (UK) Ltd
Fieldhouse Lane
Marlow Bucks SL7 1HZ
UK

 **EAC UK
CA**
(10.20)
4931 2896 74