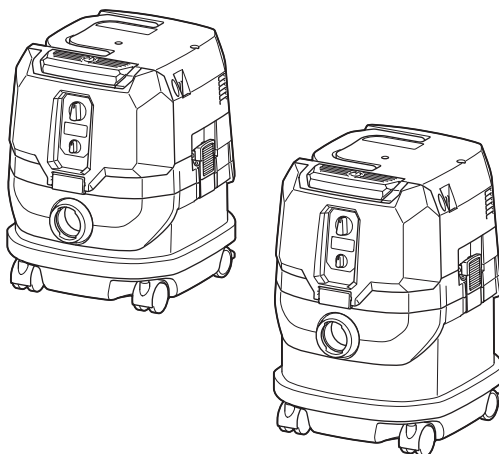
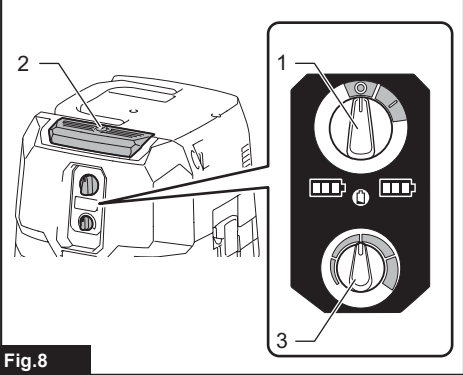
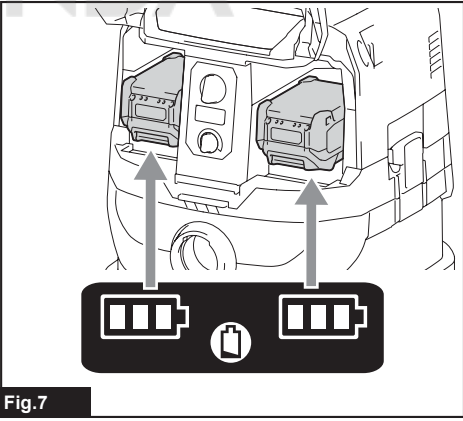
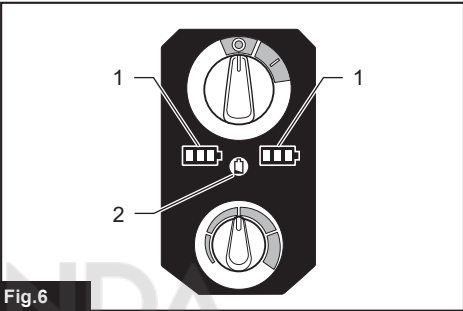
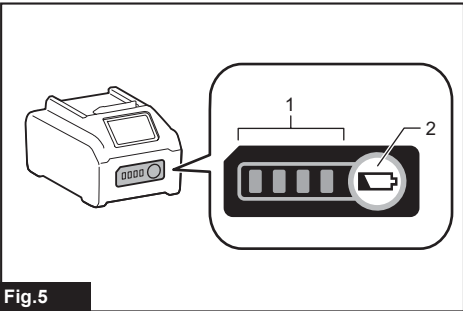
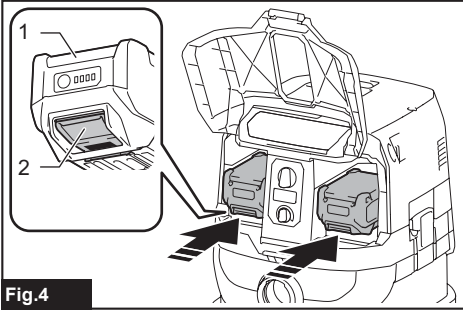
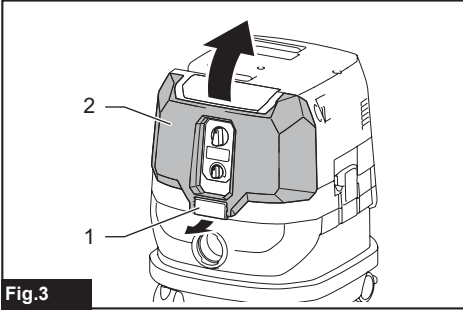
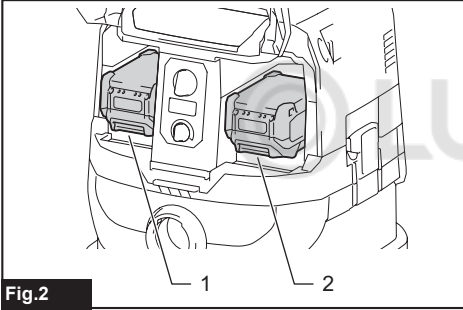
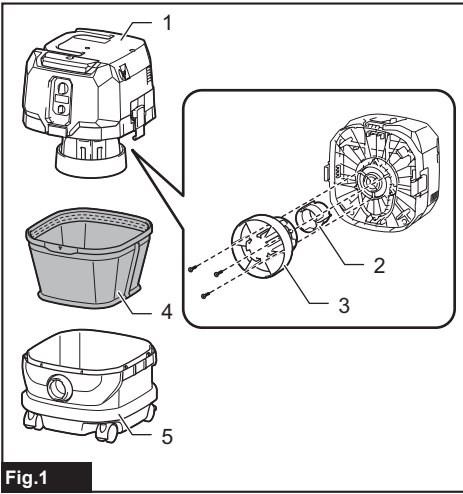


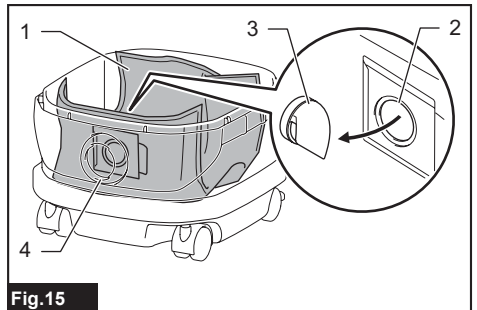
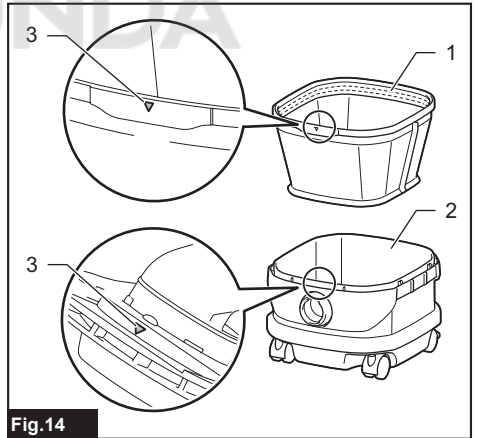
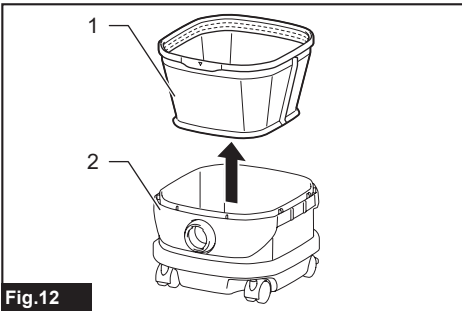
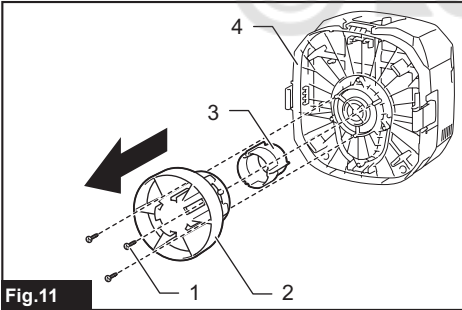
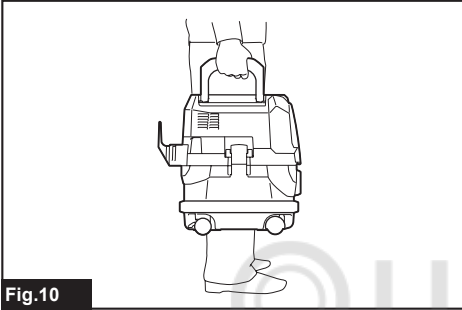
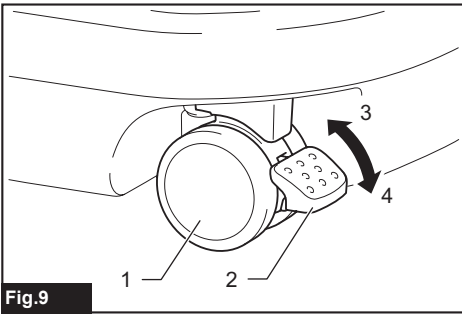


| | | | |
|-----------|---|------------------------------------|-----------|
| EN | Cordless Vacuum Cleaner | INSTRUCTION MANUAL | 7 |
| SV | Batteridrivnen dammsugare | BRUKSANVISNING | 17 |
| NO | Trådløs støvsuger | BRUKSANVISNING | 27 |
| FI | Akkukäyttöinen pölynimuri | KÄYTTÖOHJE | 37 |
| DA | Akku støvsuger | BRUGSANVISNING | 47 |
| LV | Bezvadu putekļsūcējs | LIETOŠANAS INSTRUKCIJA | 57 |
| LT | Akumuliatorinis vakuuminis valymo įrenginys | NAUDOJIMO INSTRUKCIJA | 67 |
| ET | Juhtmeta käsitolmuimeija | KASUTUSJUHEND | 77 |
| RU | Аккумуляторный Пылесос | РУКОВОДСТВО ПО ЭКСПЛУАТАЦИИ | 87 |

VC001GL
VC003GL







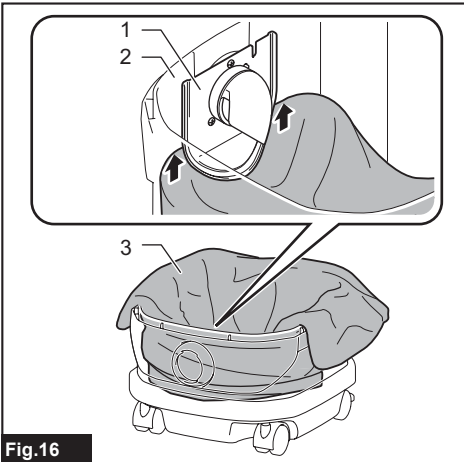


Fig.16

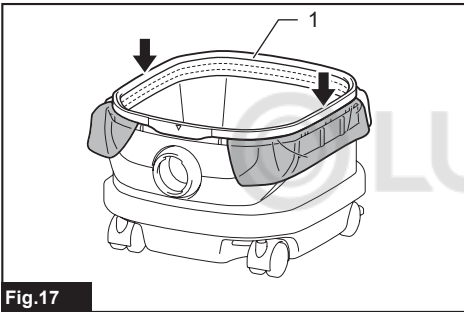


Fig.17

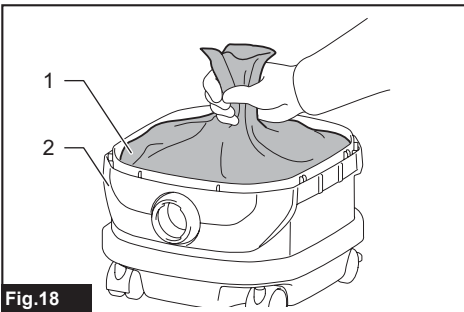


Fig.18

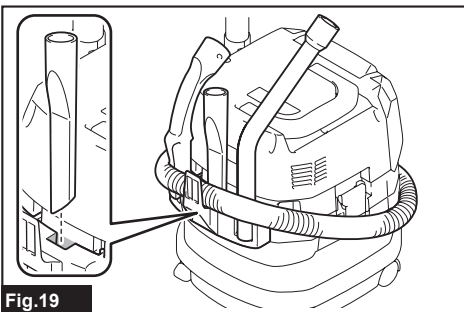


Fig.19

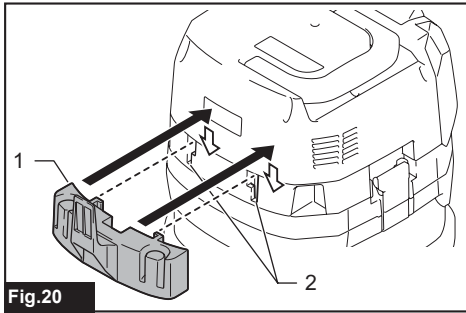


Fig.20

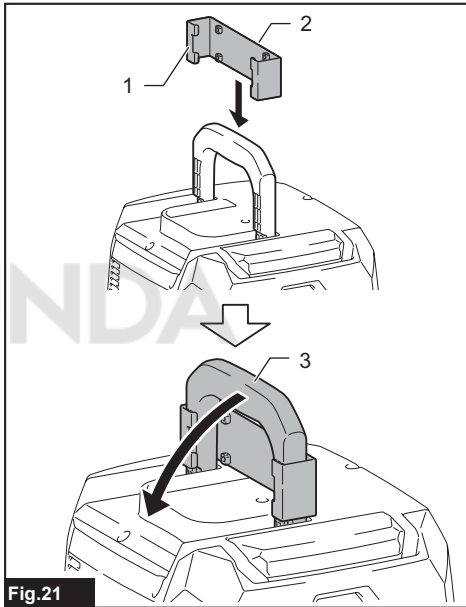


Fig.21

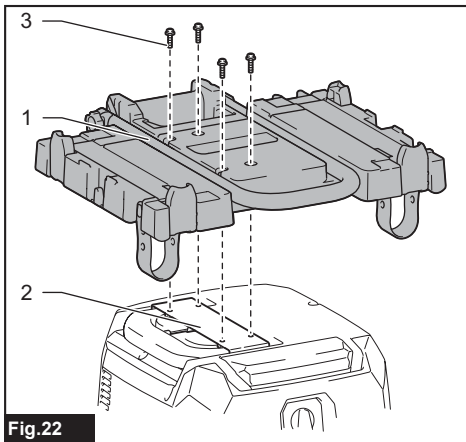


Fig.22

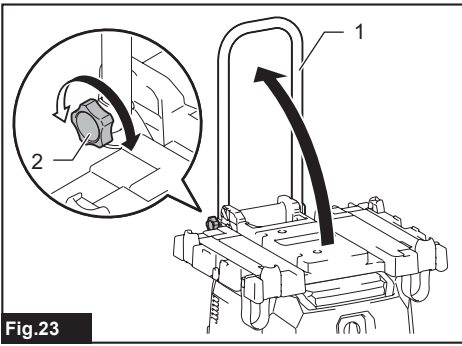


Fig.23

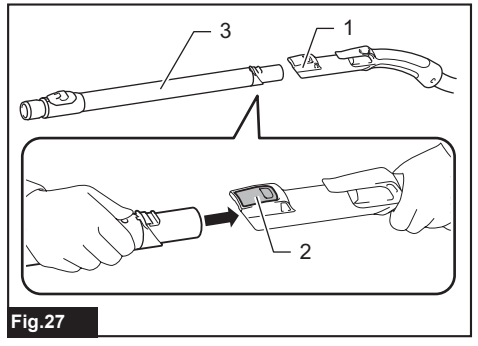


Fig.27

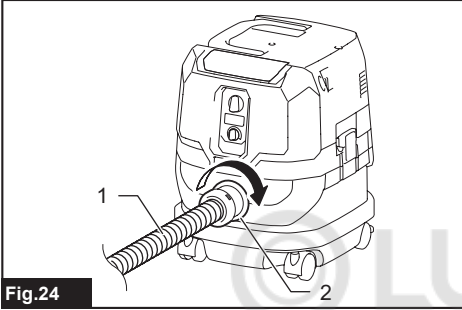


Fig.24

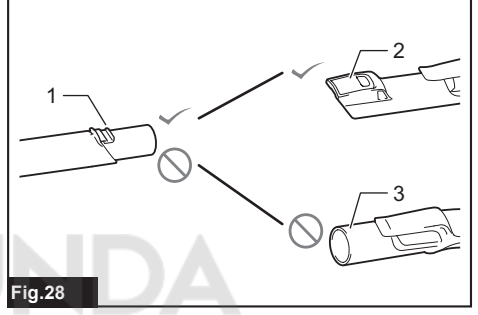


Fig.28

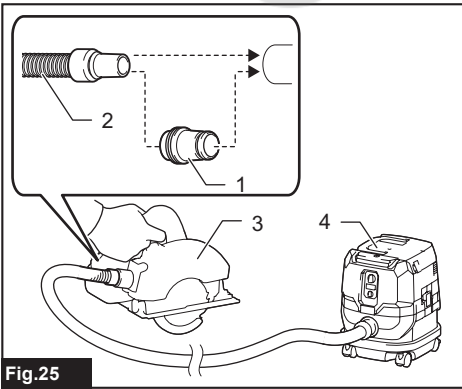


Fig.25

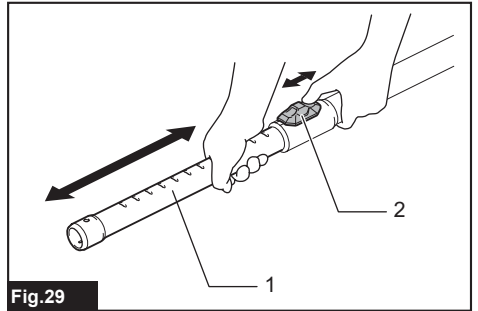


Fig.29

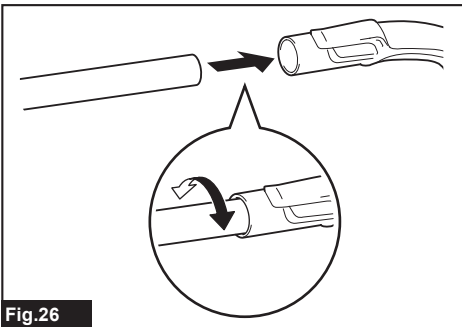


Fig.26

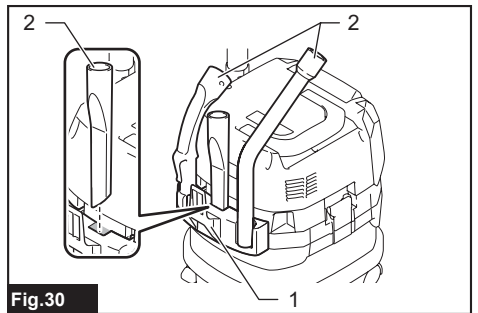


Fig.30

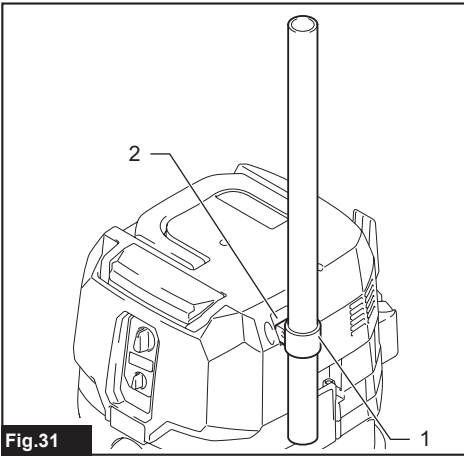


Fig.31

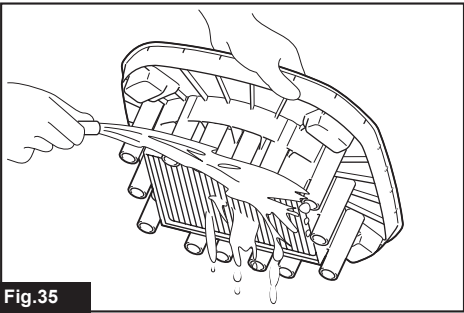


Fig.35

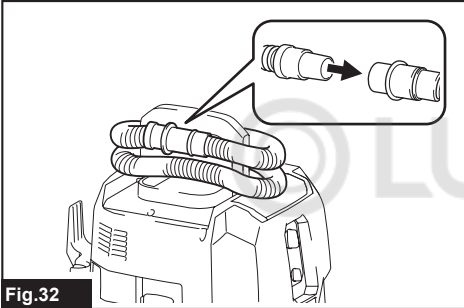


Fig.32

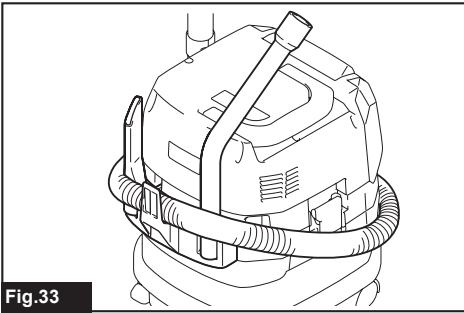


Fig.33

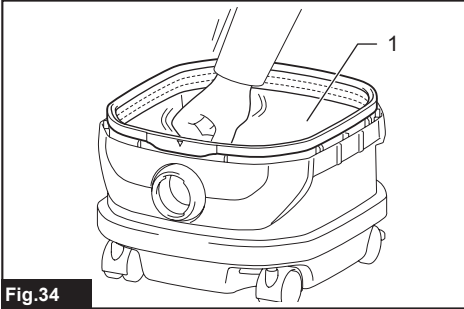


Fig.34

WARNING

- This machine is not intended for use by persons including children with reduced physical, sensory or mental capabilities, or lack of experience and knowledge.
- Children should be supervised to ensure that they do not play with the cleaner.
- See the chapter "SPECIFICATIONS" for the type reference of the battery.
- See the section "Installing or removing battery cartridge" for how to remove or install the battery.
- When disposing the battery cartridge, remove it from the tool and dispose of it in a safe place. Follow your local regulations relating to disposal of battery.
- If the tool is not used for a long period of time, the battery must be removed from the tool.
- Do not short the battery cartridge.
- See the chapter "MAINTENANCE" for the appropriate details of precautions during user maintenance.

SPECIFICATIONS

| Model: | | VC001GL | VC003GL |
|---|-------|-------------------------------------|--------------------------|
| Standard filter type | | Cloth filter (for dry and wet dust) | |
| Maximum air volume (with BL4040, ø32 mm x 1.7 m hose) | | 2.7 m ³ /min | |
| Vacuum (with BL4040, ø32 mm x 1.7 m hose) | | 23 kPa | |
| Recoverable capacity | Dust | 8 L | 15 L |
| | Water | 6 L | 12 L |
| Dimensions (L x W x H) | | 366 mm x 334 mm x 425 mm | 366 mm x 334 mm x 475 mm |
| Rated voltage | | D.C. 36 V - 40 V max | |
| Net weight | | 8.1 - 11.2 kg | 8.4 - 11.5 kg |
| Protection degree | | IPX4 | |

- Due to our continuing program of research and development, the specifications herein are subject to change without notice.
- Specifications and battery cartridge may differ from country to country.
- The weight does not include accessories but battery cartridge(s). The lightest and heaviest combination weight of the appliance and battery cartridge(s) are shown in the table.
- For wet dust, the float and the water filter or cloth filter are required.

Applicable battery cartridge and charger

| | |
|-------------------|---|
| Battery cartridge | BL4020 / BL4025 / BL4040* / BL4050F* / BL4080F* *: Recommended battery |
| Charger | DC40RA / DC40RB / DC40RC |

- Some of the battery cartridges and chargers listed above may not be available depending on your region of residence.

⚠ WARNING: Only use the battery cartridges and chargers listed above. Use of any other battery cartridges and chargers may cause injury and/or fire.

Symbols

The followings show the symbols which may be used for the equipment. Be sure that you understand their meaning before use.



Read instruction manual.



Take particular care and attention.



Warning! The cleaner may contain hazardous dust.



Never stand on the cleaner.



Dust class L (light). The cleaners are capable of picking up dust class L. Follow your country's regulations relating to dusts and to occupational health and safety.



Only for EU countries

Due to the presence of hazardous components in the equipment, waste electrical and electronic equipment, accumulators and batteries may have a negative impact on the environment and human health. Do not dispose of electrical and electronic appliances or batteries with household waste!

In accordance with the European Directive on waste electrical and electronic equipment and on accumulators and batteries and waste accumulators and batteries, as well as their adaptation to national law, waste electrical equipment, batteries and accumulators should be stored separately and delivered to a separate collection point for municipal waste, operating in accordance with the regulations on environmental protection.

This is indicated by the symbol of the crossed-out wheeled bin placed on the equipment.

Intended use

The appliance is intended for collecting both wet and dry dust. The appliance is suitable for commercial use, for example in hotels, schools, hospitals, factories, shops, offices and rental businesses.

Noise

The typical A-weighted noise level determined according to EN60335-2-69:

Model VC001GL

Sound pressure level (L_{pA}): 70 dB(A) or less
Uncertainty (K): 2.5 dB(A)

Model VC003GL

Sound pressure level (L_{pA}): 70 dB(A) or less
Uncertainty (K): 2.5 dB(A)

The noise level under working may exceed 80 dB (A).

NOTE: The declared noise emission value(s) has been measured in accordance with a standard test method and may be used for comparing one tool with another.

NOTE: The declared noise emission value(s) may also be used in a preliminary assessment of exposure.

⚠ WARNING: Wear ear protection.

⚠ WARNING: The noise emission during actual use of the power tool can differ from the declared value(s) depending on the ways in which the tool is used especially what kind of workpiece is processed.

⚠ WARNING: Be sure to identify safety measures to protect the operator that are based on an estimation of exposure in the actual conditions of use (taking account of all parts of the operating cycle such as the times when the tool is switched off and when it is running idle in addition to the trigger time).

Vibration

The vibration total value (tri-axial vector sum) determined according to EN60335-2-69:

Model VC001GL

Vibration emission ($a_{h,M}$): 2.5 m/s² or less
Uncertainty (K): 1.5 m/s²

Model VC003GL

Vibration emission ($a_{h,M}$): 2.5 m/s² or less
Uncertainty (K): 1.5 m/s²

NOTE: The declared vibration total value(s) has been measured in accordance with a standard test method and may be used for comparing one tool with another.

NOTE: The declared vibration total value(s) may also be used in a preliminary assessment of exposure.

⚠ WARNING: The vibration emission during actual use of the power tool can differ from the declared value(s) depending on the ways in which the tool is used especially what kind of workpiece is processed.

⚠ WARNING: Be sure to identify safety measures to protect the operator that are based on an estimation of exposure in the actual conditions of use (taking account of all parts of the operating cycle such as the times when the tool is switched off and when it is running idle in addition to the trigger time).

EC Declaration of Conformity

For European countries only

The EC declaration of conformity is included as Annex A to this instruction manual.

SAFETY WARNINGS

Cordless vacuum cleaner safety warnings

⚠ WARNING: IMPORTANT! READ CAREFULLY all safety warnings and all instructions BEFORE USE. Failure to follow the warnings and instructions may result in electric shock, fire and/or serious injury.

1. Before use, make sure that this cleaner must be used by people who have been adequately instructed on the use of this cleaner.
2. Before use, operators shall be provided with information, instruction and training for the use of the machine and the substances for which it is to be used, including the safe method of removal and disposal of the material collected.
3. If foam/liquid comes out, switch off immediately.
4. Clean the water level limiting device regularly and examine it for signs of damage.
5. Always make sure that filters are correctly installed before use. Do not use the cleaner without filters in place. Replace a damaged filter immediately. It is recommended to have some spares as filters are consumable items.

6. **AVOID UNINTENTIONAL STARTING.** Be sure switch is OFF when installing battery(ies).
7. Do not attempt to pick up flammable materials, fire works, lighted cigarettes, hot ashes, hot metal chips, sharp materials such as razors, needles, broken glass or the like.
8. **NEVER USE THE CLEANER IN THE VICINITY OF GASOLINE, GAS, PAINT, ADHESIVES OR OTHER HIGHLY EXPLOSIVE SUBSTANCES.** The switch emits sparks when turned ON and OFF. And so does the motor commutator during operation. A dangerous explosion may result.
9. Never vacuum up toxic, carcinogenic, combustible or other hazardous materials such as asbestos, arsenic, barium, beryllium, lead, pesticides, or other health endangering materials.
10. Always place the cleaner on a horizontal flat surface to prevent it from falling or moving unintentionally.
11. Never use the cleaner outdoors in the rain.
12. For Finland, this machine is not to be used outdoors at low temperature.
13. Do not use close to heat sources (stoves, etc.).
14. If the exhaust air is returned to the room, it is necessary to provide for an adequate air change rate in the room. Reference to National regulations is necessary.
15. Do not block suction inlet/outlet/cooling vents. These vents permit cooling of the motor. Blockage should be carefully avoided otherwise the motor will burn out due to a lack of ventilation.
16. Keep proper footing and balance at all times.
17. Do not fold, tug or step on the hose.
18. Stop the cleaner immediately if you notice poor performance or anything abnormal during operation.
19. **REMOVE THE BATTERY(IES).** When not in use, before servicing, and when changing accessories.
20. Clean and service the cleaner immediately after each use to keep it in tiptop operating condition.
21. **MAINTAIN THE CLEANER WITH CARE.** Keep the cleaner clean for better and safer performance. Follow instructions for changing accessories. Keep handles dry, clean, and free from oil and grease.
22. **CHECK DAMAGED PARTS.** Before further use of the cleaner, a guard or other part that is damaged should be carefully checked to determine that it will operate properly and perform its intended function. Check for alignment of moving parts, binding of moving parts, breakage of parts, mounting, and any other conditions that may affect its operation. A guard or other part that is damaged should be properly repaired or replaced by an authorized service center unless otherwise indicated elsewhere in this instruction manual. Have defective switches replaced by authorized service center. Don't use the cleaner if switch does not turn it on and off.
23. For user servicing, the machine shall be dismantled, cleaned and serviced, as far as is reasonably practicable, without causing risk to the maintenance staff and others.
24. The machine should be technically inspected by the manufacturer, or an instructed person, at least annually, consisting of, for example, inspection of filters for damage, air tightness of the machine and proper function of the control mechanism.
25. When carrying out service or repair operations, all contaminated items which cannot be satisfactorily cleaned are to be disposed of; such items shall be disposed of in impervious bags in accordance with any current regulation for the disposal of such waste.
26. **REPLACEMENT PARTS.** When servicing, use only identical replacement parts.
27. When not in use, always store the cleaner indoors.
28. Wet filters and the interior part of the liquid container shall be dried before storage.
29. Be kind to your cleaner. Rough handling can cause breakage of even the most sturdily built cleaner.
30. Do not attempt to clean the exterior or interior with benzine, thinner or cleaning chemicals. Cracks and discoloration may be caused.
31. Do not use cleaner in an enclosed space where flammable, explosive or toxic vapors are given off by oil-base paint, paint-thinner, gasoline, some mothproofing substances, etc., or in areas where flammable dust is present.
32. Do not operate the cleaner or any tool while under the influence of drugs or alcohol.
33. As a basic rule of safety, use safety goggles or safety glasses with side shields.
34. Use a dust mask in dusty work conditions.
35. This machine is not intended for use by persons including children with reduced physical, sensory or mental capabilities, or lack of experience and knowledge.
36. Children should be supervised to ensure that they do not play with the cleaner.
37. Never handle battery(ies) and cleaner with wet hands.
38. Use extreme caution when cleaning on stairs.
39. Do not use the cleaner as a stool or work bench. The machine may fall down and may result in personal injury.

Battery tool use and care

1. **Recharge only with the charger specified by the manufacturer.** A charger that is suitable for one type of battery pack may create a risk of fire when used with another battery pack.
2. **Use power tools only with specifically designated battery packs.** Use of any other battery packs may create a risk of injury and fire.
3. **When battery pack is not in use, keep it away from other metal objects, like paper clips, coins, keys, nails, screws or other small metal objects, that can make a connection from one terminal to another.** Shorting the battery terminals together may cause burns or a fire.

4. **Under abusive conditions, liquid may be ejected from the battery; avoid contact. If contact accidentally occurs, flush with water. If liquid contacts eyes, additionally seek medical help.** Liquid ejected from the battery may cause irritation or burns.
5. **Do not use a battery pack or tool that is damaged or modified.** Damaged or modified batteries may exhibit unpredictable behaviour resulting in fire, explosion or risk of injury.
6. **Do not expose a battery pack or tool to fire or excessive temperature.** Exposure to fire or temperature above 130 °C may cause explosion.
7. **Follow all charging instructions and do not charge the battery pack or tool outside the temperature range specified in the instructions.** Charging improperly or at temperatures outside the specified range may damage the battery and increase the risk of fire.
10. **The contained lithium-ion batteries are subject to the Dangerous Goods Legislation requirements.**
For commercial transports e.g. by third parties, forwarding agents, special requirement on packaging and labeling must be observed. For preparation of the item being shipped, consulting an expert for hazardous material is required. Please also observe possibly more detailed national regulations.
Tape or mask off open contacts and pack up the battery in such a manner that it cannot move around in the packaging.

SAVE THESE INSTRUCTIONS.

⚠WARNING: DO NOT let comfort or familiarity with product (gained from repeated use) replace strict adherence to safety rules for the subject product. MISUSE or failure to follow the safety rules stated in this instruction manual may cause serious personal injury.

Important safety instructions for battery cartridge

1. **Before using battery cartridge, read all instructions and cautionary markings on (1) battery charger, (2) battery, and (3) product using battery.**
2. **Do not disassemble or tamper the battery cartridge.** It may result in a fire, excessive heat, or explosion.
3. **If operating time has become excessively shorter, stop operating immediately.** It may result in a risk of overheating, possible burns and even an explosion.
4. **If electrolyte gets into your eyes, rinse them out with clear water and seek medical attention right away.** It may result in loss of your eyesight.
5. **Do not short the battery cartridge:**
 - (1) **Do not touch the terminals with any conductive material.**
 - (2) **Avoid storing battery cartridge in a container with other metal objects such as nails, coins, etc.**
 - (3) **Do not expose battery cartridge to water or rain.**

A battery short can cause a large current flow, overheating, possible burns and even a breakdown.

6. **Do not store and use the tool and battery cartridge in locations where the temperature may reach or exceed 50 °C (122 °F).**
7. **Do not incinerate the battery cartridge even if it is severely damaged or is completely worn out.** The battery cartridge can explode in a fire.
8. **Do not nail, cut, crush, throw, drop the battery cartridge, or hit against a hard object to the battery cartridge.** Such conduct may result in a fire, excessive heat, or explosion.
9. **Do not use a damaged battery.**

11. **When disposing the battery cartridge, remove it from the tool and dispose of it in a safe place. Follow your local regulations relating to disposal of battery.**
12. **Use the batteries only with the products specified by Makita.** Installing the batteries to non-compliant products may result in a fire, excessive heat, explosion, or leak of electrolyte.
13. **If the tool is not used for a long period of time, the battery must be removed from the tool.**
14. **During and after use, the battery cartridge may take on heat which can cause burns or low temperature burns. Pay attention to the handling of hot battery cartridges.**
15. **Do not touch the terminal of the tool immediately after use as it may get hot enough to cause burns.**
16. **Do not allow chips, dust, or soil stuck into the terminals, holes, and grooves of the battery cartridge.** It may cause heating, catching fire, burst and malfunction of the tool or battery cartridge, resulting in burns or personal injury.
17. **Unless the tool supports the use near high-voltage electrical power lines, do not use the battery cartridge near a high-voltage electrical power lines.** It may result in a malfunction or breakdown of the tool or battery cartridge.
18. **Keep the battery away from children.**

SAVE THESE INSTRUCTIONS.

⚠CAUTION: Only use genuine Makita batteries. Use of non-genuine Makita batteries, or batteries that have been altered, may result in the battery bursting causing fires, personal injury and damage. It will also void the Makita warranty for the Makita tool and charger.

Tips for maintaining maximum battery life

1. **Charge the battery cartridge before completely discharged. Always stop tool operation and charge the battery cartridge when you notice less tool power.**
2. **Never recharge a fully charged battery cartridge. Overcharging shortens the battery service life.**
3. **Charge the battery cartridge with room temperature at 10 °C - 40 °C (50 °F - 104 °F). Let a hot battery cartridge cool down before charging it.**
4. **When not using the battery cartridge, remove it from the tool or the charger.**
5. **Charge the battery cartridge if you do not use it for a long period (more than six months).**

PARTS DESCRIPTION

► **Fig.1:** 1. Head unit 2. Float 3. Float cage 4. Cloth filter 5. Tank

FUNCTIONAL DESCRIPTION

CAUTION: Always be sure that the appliance is switched off and the battery cartridges are removed before adjusting or checking function on the appliance.

Installing or removing battery cartridge

CAUTION: Always switch off the appliance before installing or removing battery cartridges.

CAUTION: Hold the cleaner and battery cartridges firmly when installing or removing battery cartridges. Failure to do so may cause them to slip off your hands, resulting in damage to the cleaner and battery cartridges or personal injury.

CAUTION: Be careful not to pinch your fingers when opening or closing the battery cover. Failure to do so may cause personal injury.

The cleaner has double battery slots. With two identical batteries in parallel, you can extend your running time in one or more uses without having to stop to recharge batteries. The cleaner also works with a single battery, so you can choose with either double batteries or single battery according to your needs.

► **Fig.2:** 1. Left battery slot 2. Right battery slot

With double batteries

Continuous drive with two batteries allows longer run-time and more efficient cleaning. When the first battery is becoming empty, the cleaner automatically switches a power source, so it continues working with the second battery.

NOTE: The left battery slot (when facing the front of the cleaner) has priority over the right battery slot. The right battery slot will only be identified as a power source, either when no battery is installed in the left battery slot or the battery in the left battery slot becomes empty.

NOTE: You can remove the battery from the left battery slot and recharge it after the cleaner has switched its power source from the left battery slot to the right without ceasing operation. To give priority back to the left battery slot after installing a recharged battery, restart the cleaner.

With a single battery

Only one battery is required as a power source in either the left or right battery slot. The cleaner automatically determines which battery slot is available according to operating conditions.

Installation and uninstallation

To install battery cartridges, release the lock first, and open the battery cover. Then insert the battery cartridges.

► **Fig.3:** 1. Lock 2. Battery cover

Align the tongues on the battery cartridges with the grooves in the battery housing and slip them into place. Insert them all the way until they lock in place with a little click.

Then lock the battery cover.

► **Fig.4:** 1. Battery cartridge 2. Button

To remove the battery cartridges, slide them out of the battery housing while pressing and holding the buttons in front of the cartridges.

CAUTION: Always install the battery cartridge fully. If not, it may accidentally fall out of the appliance, causing injury to you or someone around you.

CAUTION: Do not install the battery cartridge forcibly. If the cartridge does not slide in easily, it is not being inserted correctly.

NOTE: When the cleaner switches the power source from the first battery to the second, it may require a temporary halt in operations, causing a slight loss of suction. Please note that it is not malfunction so the cleaner recovers and resumes operations immediately after the pause.

Indicating the remaining battery capacity

Press the check button on the battery cartridge to indicate the remaining battery capacity. The indicator lamps light up for a few seconds.

► **Fig.5:** 1. Indicator lamps 2. Check button

| Indicator lamps | | | Remaining capacity |
|-----------------|-----|----------|-------------------------------------|
| Lighted | Off | Blinking | |
| ■ ■ ■ ■ | | | 75% to 100% |
| ■ ■ ■ □ | | | 50% to 75% |
| ■ ■ □ □ | | | 25% to 50% |
| ■ □ □ □ | | | 0% to 25% |
| ▣ □ □ □ | | | Charge the battery. |
| ■ ■ □ □ | | | The battery may have malfunctioned. |
| □ □ ■ ■ | | | |

NOTE: Depending on the conditions of use and the ambient temperature, the indication may differ slightly from the actual capacity.




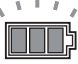
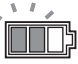
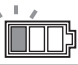
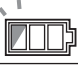
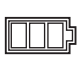
NOTE: The first (far left) indicator lamp will blink when the battery protection system works.

Battery indicators on control panel

The remaining battery capacity can be read on the control panel at any time. Press the check button, and the left and right indicators will show the battery charge levels correspondingly.

► **Fig.6:** 1. Battery indicators 2. Check button

► **Fig.7**

| Battery indicator status | | | Remaining battery capacity |
|---|---|---|----------------------------|
| On | Off | Blinking | |
|  |  |  | 50% to 100% |
|  | | | |
|  | | | 20% to 50% |
|  | | | 0% to 20% |
|  | | | Charge the battery |
|  | | | Battery not inserted |

NOTE: The battery indicators will also be activated when the cleaner starts functioning or switches its power source from one to another.



Appliance / battery protection system

The appliance is equipped with an appliance/battery protection system. This system automatically cuts off power to the motor to extend appliance and battery life. The appliance will automatically stop during operation if the appliance or battery is placed under one of the following conditions:


Overload protection

When the appliance/battery is operated in a manner that causes it to draw an abnormally high current, the appliance automatically stops. In this situation, turn the appliance off and stop the application that caused the appliance to become overloaded. Then turn the appliance on to restart.

Overheat protection

| On | Blinking |
|---|---|
|  |  |

When the appliance is overheated, the appliance stops automatically, and both left and right battery indicators blink. In this situation, let the appliance cool down before turning the appliance on again.

| On | Blinking |
|--|----------|
|  | |

When the battery is overheated, the appliance stops automatically, and one of the indicators for overheated battery blinks. In this situation, let the battery cool down before turning the appliance on again.

Overdischarge protection

When the battery capacity becomes low, the appliance stops automatically. If the appliance does not run along with the switch operation, remove the batteries from the appliance and recharge them.

Protections against other causes

Protection system is also designed for other causes that could damage the appliance and allows the appliance to stop automatically. Take all the following steps to clear the causes, when the appliance has been brought to a temporary halt or stop in operation.

1. Turn the appliance off, and then turn it on again to restart.
2. Charge the battery(ies) or replace it/them with recharged battery(ies).
3. Let the appliance and battery(ies) cool down.

If no improvement can be found by restoring protection system, then contact your local Makita Service Center.

Switch action

Turning cleaner on

1. Turn the stand-by switch in the "I" (ON) position to have the cleaner ready in stand-by mode.
2. Press the power button.
To switch back to stand-by mode, press the power button again.

Turning cleaner off

Perform one of the following steps.

- Press the power button to set the cleaner back in stand-by mode, and then turn the stand-by switch in the "O" (OFF) position.
- Turn the stand-by switch in the "O" (OFF) position.

Adjusting suction power

The suction power can be adjusted according to your work needs.

- Turn the suction force adjusting knob to the left to reduce the suction power.
- Turn the suction force adjusting knob to the right to increase the suction power.

► **Fig.8:** 1. Stand-by switch 2. Power button 3. Suction force adjusting knob

Auto-suction stop during wet suction operation

⚠ WARNING: Do not use for a long time while the float is at work. Using the cleaner with its float at work for a long time can cause overheat, resulting in the cleaner deformation.

⚠ WARNING: Do not pick up foam or soapy liquid. It can cause foam to come out of air exit before the float works. Continuous use under such conditions may cause an electric shock and breakage of the cleaner.

The auto-suction stop feature works only while the cleaner is used with the float and float cage. The cleaner has a float mechanism that prevents water from entering into the motor when picking up more than a certain amount of water. When the tank is full and the cleaner no longer picks up water, switch off the cleaner and empty the tank.

Locking and unlocking casters

Rear casters can be locked with stoppers to help the cleaner stand still. Lower the stopper lever by hand to lock the caster, and raise it up to release.

► **Fig.9:** 1. Caster 2. Stopper lever 3. Unlocked position 4. Locked position

NOTE: When moving the cleaner, make sure that the caster is unlocked. Moving the cleaner with the caster in a locked position may cause damage to the caster.

Carriage handle

⚠ CAUTION: Lift and carry the appliance with due care. Failing to do so may result in personal injury or damage to the appliance.

When carrying the cleaner, carry it by holding the handle on the head unit. The handle is retractable on the head unit when not in use.

► **Fig.10**

ASSEMBLY

⚠ CAUTION: Always be sure that the appliance is switched off and the battery cartridges are removed before carrying out any work on the appliance.

⚠ CAUTION: Always wear dust mask during assembly or maintenance.

Installing powder filter (HEPA) and prefilter (for dry dust)

Optional accessory

⚠ CAUTION: Never pick up water or other liquids or wet dusts when using the powder filter. Picking up such things may cause the powder filter breakage.

To use powder filter:

1. Loosen the screws securing the float cage, and then remove the screws, float cage and float from the head unit.

► **Fig.11:** 1. Screw 2. Float cage 3. Float 4. Head unit

2. Remove the cloth filter out of the tank.

► **Fig.12:** 1. Cloth filter 2. Tank

3. Place the prefilter into the tank aligning the mounting position markings on the prefilter and tank.

4. Set the damper into the prefilter, and then place the powder filter over the damper aligning the mounting position markings on the powder filter and prefilter.

5. Mount the head unit over the tank and secure them with the locking latches.

► **Fig.13:** 1. Head unit 2. Powder filter (HEPA) 3. Damper 4. Prefilter 5. Tank 6. Mounting position marking

NOTICE: Before using the powder filter, make sure that prefilter and damper are used together. It is not allowed to install powder filter alone.

Installing water filter

Optional accessory

NOTICE: Never pick up water or wet dust without the float and the cloth filter or the water filter.

NOTICE: For picking up wet dust, make sure that the float cage and the float are installed on the cleaner.

NOTICE: When installing the water filter on the tank, set it tight at the opening of the tank so that the hook of the water filter engages the tank opening firmly and there is no space between the water filter and the tank.

To pick up water or wet dust only, the water filter is more suitable than the cloth filter.

When installing the water filter, align its mounting position marking with the one on the tank.

► **Fig.14:** 1. Water filter 2. Tank 3. Mounting position marking

NOTE: It is recommended using water filter when picking up large amount of water repeatedly. Otherwise vacuum ability may be reduced in case of cloth filter.

Installing paper pack

Optional accessory

⚠ WARNING: Before using a paper pack, make sure that the cloth filter or prefilter is used together. Failure to use the cloth filter / prefilter together may cause unusual noise and heat, resulting in a fire.

NOTICE: Never pick up water or other liquids or wet dusts when using a paper pack. Picking up such things may cause the paper pack breakage.

NOTICE: When using the cloth filter, make sure that the float and the float cage are attached on the head unit.

NOTICE: When using the prefilter, make sure that the powder filter and the damper are used together.

1. Unfold a paper pack.
 2. Align the paper pack opening with the dust intake of the tank.
 3. Install the paper pack into the tank with its cardboard opening hooked on the paper pack holder.
- **Fig.15:** 1. Paper pack 2. Cardboard opening
3. Paper pack holder 4. Dust intake

Installing polyethylene bag

With a polyethylene bag installed in the tank, you can easily empty the tank without letting your hands dirty.

Lay a polyethylene bag over the tank, and slip one side of the top edge of the bag at its open end in between the holder plate and the front wall of the tank.

- **Fig.16:** 1. Holder plate 2. Front wall of tank
3. Polyethylene bag

Spread the other top edges of the bag outwards over the top rims of the tank. Place the cloth filter or prefilter over the polyethylene bag to fasten the opening of the bag securely.

- **Fig.17:** 1. Cloth filter / prefilter

NOTE: A polyethylene bag available on the market can be used. 0.04 mm or thicker one is recommended.

NOTE: Too much dust will tear the bag easily, so do not collect the dust more than the half of the bag capacity.

Emptying tank with polyethylene bag

⚠ WARNING: Always make sure that the cleaner is switched off and the battery cartridges are removed before emptying the tank. Failure to do so may cause an electric shock and serious personal injury.

NOTICE: Do not apply a great impact on the float cage and tank. Applying a great impact may cause deformation and damage to the parts.

NOTICE: Empty the tank at least once a day although this depends on picked-up dust volume in the tank. Or, the suction force will weaken and the motor may be broken.

NOTICE: Do not grab the hooks or latches when emptying the tank. Grabbing the hooks or latches may cause them to break.

Release the locking latches and lift the head unit up off the tank.

Shake off dust from the cloth filter or prefilter before lifting the filter away from the tank.

Then remove the polyethylene bag out of the tank, closing the opening of the bag by hand.

- **Fig.18:** 1. Polyethylene bag 2. Tank

NOTE: Take the polyethylene bag out of the tank carefully to avoid it from being scratched and torn by the edges inside the tank.

NOTE: Empty the polyethylene bag before it becomes full. Too much dust in the tank may cause the polyethylene bag to be torn.

Installing multi hook

Use the multi hook to hold a hose, accessories and attachments not in use in place, and you can quickly take them out according to your preferences.

- **Fig.19**

Place the multi hook over the mounting base at the rear of the cleaner, setting the rails on the multi hook along the grooves on the mounting base.

- **Fig.20:** 1. Multi hook 2. Mounting base

Installing MAKPAC adapter

Optional accessory

Connectable and stackable MAKPAC storage cases can be installed on top of the cleaner with an optional adapter. The cases are available in many sizes and styles to suit your preferences.

Place the mounting base hook over the handle of the cleaner with its mounting surface facing upwards when the handle is folded into the closed position.

- **Fig.21:** 1. Mounting base hook 2. Mounting surface
3. Handle

Mount the MAKPAC adapter onto the mounting base hook, and secure them together with four screws provided.

- **Fig.22:** 1. MAKPAC adapter 2. Mounting base hook
3. Screw

Lift the push bar up and tighten the knob to prepare installing the MAKPAC cases onto the cleaner.

- **Fig.23:** 1. Push bar 2. Knob

NOTE: For details on installing the MAKPAC cases, refer to the instructions provided with the MAKPAC adapter and cases.

Installing hose

NOTICE: Never force the hose for bending or stamp it. Never move the cleaner by pulling the hose. Forcing, stamping and pulling the hose may cause a breakage or deformation of the hose.

NOTICE: When picking up large wastes such as planer carvings, concrete dusts or similar other than small wastes, use the 38 mm inner diameter hose (optional accessory). Using the 28 mm inner diameter hose (optional accessory) may cause a hose stuffing and damage.

Connection to cleaner

Insert the hose end to the dust intake (hose inlet) of the cleaner, then turn it clockwise until it locks in place.

► **Fig.24:** 1. Hose 2. Dust intake (hose inlet)

Connections with your work tools (Country specific)

By connecting the vacuum cleaner to any available work tools compatible with the cleaner, it works as a dust extractor for your power tools.

Select one of the front cuffs or joints (optional accessories) as most suitable for your tool model. Place the cuffs or joint, as necessary, between the front end of the cleaner hose and a dust extraction port of your tool.

► **Fig.25:** 1. Front cuffs or joint 2. Cleaner hose
3. Power tool 4. Vacuum cleaner

Installing or removing cleaner attachments

CAUTION: After installing an attachment, check if it is securely installed. If the attachment is installed imperfectly, it may come off and cause personal injury.

Attachments without lock function

Optional accessory

Insert an attachment into the suction inlet of the cleaner by pushing and hand screwing it in place.

Hand twist and pull the attachment apart from the suction inlet after use.

► **Fig.26**

Attachments with lock function

Optional accessory

NOTICE: When installing the attachment with lock function, be sure to align the release button with the hook on the attachment. If they are not aligned, the attachment will not be locked and may come off from the cleaner.

Insert an attachment into the suction inlet of the cleaner by pushing them together with a click.

To remove the attachment, pull it off while pushing the release button.

► **Fig.27:** 1. Suction inlet with lock function 2. Release button 3. Attachment with lock function

NOTE: An attachment with lock function can only be installed in the suction inlet with lock function.

► **Fig.28:** 1. Attachment with lock function 2. Suction inlet with lock function 3. Suction inlet without lock function

Adjusting lengths of slide-type extension wand

Optional accessory

A slide-type extension wand can be combined for shorter and longer lengths. It allows to clean hard-to-reach areas and comfortable positioning options.

Pull in and out the slide pipe to change wand lengths while pressing and holding the slide button.

Release the slide button to lock the slide pipe in your desired position.

► **Fig.29:** 1. Slide pipe 2. Slide button

MAINTENANCE

CAUTION: Always be sure that the appliance is switched off and the battery cartridges are removed before attempting to perform inspection or maintenance.

NOTICE: Never use gasoline, benzine, thinner, alcohol or the like. Discoloration, deformation or cracks may result.

To maintain product SAFETY and RELIABILITY, repairs, any other maintenance or adjustment should be performed by Makita Authorized or Factory Service Centers, always using Makita replacement parts.

Storage of accessories

Accessories and attachments not in use, such as nozzles and brushes, can be hooked and stored in the multi hook at the rear of the cleaner.

► **Fig.30:** 1. Multi hook 2. Accessories and attachments not in use

Pipes (with an optional stopper installed) can be placed into the pipe holder when not using the cleaner for a short time.

► **Fig.31:** 1. Stopper (optional accessory) 2. Pipe holder

A hose can be wrapped and stored around the housing or handle of the cleaner in large loops. Connect its both ends together to make loops and hook the loops onto the handle raised up. Alternatively, keep its root end installed in the hose inlet and hang the loops on the multi hook with the loose end tied up.

► **Fig.32**

► **Fig.33**

Cleaning of cloth filter

Clean out the cloth filter at regular intervals since clogged cloth filter may result in poor suction performance.

Wipe and shake dust off the cloth filter by hand on occasions.

► **Fig.34:** 1. Cloth filter

Cleaning of powder filter (HEPA) and prefilter

Optional accessory

Clean out the powder filter, prefilter and damper at regular intervals since clogged filters and damper may result in poor suction performance.

Routinely wipe and shake dust off filters and damper by hand.

Occasionally wash the powder filter in water, rinse and dry thoroughly in the shade before use. Never wash filters in a washing machine.

► Fig.35

NOTE: Do not rub or scratch the powder filter, the prefilter and the damper with hard objects such as a brush and a paddle.

NOTE: The filters wear out in course of time. It is recommended to have some spares for them.

OPTIONAL ACCESSORIES

⚠ CAUTION: These accessories or attachments are recommended for use with your Makita tool specified in this manual. The use of any other accessories or attachments might present a risk of injury to persons. Only use accessory or attachment for its stated purpose.

If you need any assistance for more details regarding these accessories, ask your local Makita Service Center.

- Hose
- Front cuffs (22, 24, 38)
- Straight pipe
- Extension wand
- Corner nozzle
- Round brush
- Powder filter, HEPA (for dry dust)
- Damper
- Prefilter
- Water filter
- Cloth filter
- Nozzle assembly
- Bent pipe
- Polyethylene bag
- Paper pack
- MAKPAC adapter
- Makita genuine battery and charger

NOTE: Some items in the list may be included in the tool package as standard accessories. They may differ from country to country.

VARNING

- Denna maskin är inte avsedd för användning av personer med nedsatta fysiska, sensoriska eller mentala förmågor, eller som inte har nog med erfarenhet eller kunskap.
- Barn ska övervakas så att de inte leker med dammsugaren.
- Se batteriets typpreferens i kapitlet "SPECIFIKATIONER".
- Se i avsnittet "Montera eller demontera batterikassetten" hur du tar bort eller installerar batteriet.
- När batterikassetten ska kasseras måste den tas bort från verktyget och kasseras på ett säkert sätt. Följ lokala föreskrifter beträffande avfallshantering av batteriet.
- Om verktyget inte används under en lång tid måste batteriet tas bort från verktyget.
- Kortslut inte batterikassetten.
- Se uppgifter om lämpliga försiktighetsåtgärder vid användarunderhåll i kapitlet "UNDERHÅLL".

SPECIFIKATIONER

| Modell: | | VC001GL | VC003GL |
|--|--------|------------------------------------|--------------------------|
| Standard filtertyp | | Tygfilter (för torr och vått damm) | |
| Maximal luftvolym (med BL4040, ø32 mm x 1,7 m slang) | | 2,7 m ³ /min | |
| Vakuum (med BL4040, ø32 mm x 1,7 m slang) | | 23 kPa | |
| Uppsamlingsförmåga | Damm | 8 l | 15 l |
| | Vatten | 6 l | 12 l |
| Dimensioner (L x B x H) | | 366 mm x 334 mm x 425 mm | 366 mm x 334 mm x 475 mm |
| Märkspänning | | 36 V - 40 V likström max | |
| Nettovikt | | 8,1 - 11,2 kg | 8,4 - 11,5 kg |
| Skyddsgrad | | IPX4 | |

- På grund av vårt pågående program för forskning och utveckling kan dessa specifikationer ändras utan föregående meddelande.
- Specifikationer och batterikassett kan variera mellan olika länder.
- Vikten inkluderar inte tillbehör men batterikassett(er). Den lättaste och tyngsta viktcombinationen för maskin och batterikassett(er) visas i tabellen.
- För vått damm krävs flottör och vattenfilter eller tygfilter.

Tillgänglig batterikassett och laddare

| | |
|----------------|--|
| Batterikassett | BL4020 / BL4025 / BL4040* / BL4050F* / BL4080F* * : Rekommenderat batteri |
| Laddare | DC40RA / DC40RB / DC40RC |

- Vissa av batterikassetterna och laddarna på listan ovan kanske inte finns tillgängliga i din region.

⚠ VARNING: Använd endast batterikassetter och laddare från listan ovan. Användning av andra batterikassetter och laddare kan orsaka personskada och/eller brand.

Symboler

Följande visar symbolerna som kan användas för utrustningen. Se till att du förstår innebörden innan användning.



Läs igenom bruksanvisningen.



Var extra försiktig och uppmärksam.



Varning! Dammsugaren kan innehålla farligt damm.



Stå aldrig på dammsugaren.



Dammklass L (lätt). Dammsugarna kan ta upp damm i klass L. Följ nationella bestämmelser rörande damm och arbetarskydd.



Gäller endast inom EU
P.g.a. förekomsten av farliga komponenter i utrustningen kan avfall innehållande elektrisk och elektronisk utrustning, ackumulatörer och batterier ha negativ inverkan på miljön och människors hälsa. Kassera inte elektriska och elektroniska apparater eller batterier ihop med hushållsavfall!
I enlighet med EU-direktiven om avfall som utgörs av eller innehåller elektrisk och elektronisk utrustning och om batterier och ackumulatörer och förbrukade batterier och ackumulatörer, och dess införlivande i nationell lagstiftning, bör förbrukad elektrisk och elektronisk utrustning, batterier och ackumulatörer förvaras separat och transporteras till en särskild uppsamlingsplats för kommunalt avfall, som drivs i enlighet med regelverket för miljöskydd. Detta anges av symbolen med den överkryssade soptunnan på hjul som sitter på utrustningen.

Avsedd användning

Denna apparat är avsedd för att suga upp både vått och torrt damm. Apparaten är avsedd för kommersiellt bruk, till exempel i hotell, skolor, sjukhus, fabriker, affärer, kontor och uthyrningsrörelser.

Buller

Den normala bullernivån för A-belastning är bestämd enligt EN60335-2-69:

Modell VC001GL

Ljudtrycksnivå (L_{pA}): 70 dB (A) eller lägre
Måttolerans (K): 2,5 dB (A)

Modell VC003GL

Ljudtrycksnivå (L_{pA}): 70 dB (A) eller lägre
Måttolerans (K): 2,5 dB (A)

Bullernivån vid arbete kan överstiga 80 dB (A).

OBS: Det deklarerade bullervärdet har uppmätts i enlighet med standardtestmetoden och kan användas för jämförandet av en maskin med en annan.

OBS: Det deklarerade bulleremissionsvärdet kan också användas i en preliminär bedömning av exponering för vibration.

⚠ VARNING: Använd hörselskydd.

⚠ VARNING: Bulleremissionen under faktisk användning av maskinen kan skilja sig från det deklarerade värdet, beroende på hur maskinen används och särskilt vilken typ av arbetsstycke som behandlas.

⚠ VARNING: Var noga med att identifiera säkerhetsåtgärder för att skydda användaren, vilka är grundade på en uppskattning av graden av exponering för vibrationer under de faktiska användningsförhållandena, (ta, förutom avtryckartiden, med alla delar av användarcykeln i beräkningen, som till exempel tiden då maskinen är avstängd och när den går på tomgång).

Vibration

Det totala vibrationsvärdet (treaxlad vektorsumma) bestämt enligt EN60335-2-69:

Modell VC001GL

Vibrationsemission ($a_{h,M}$): 2,5 m/s^2 eller lägre
Måttolerans (K): 1,5 m/s^2

Modell VC003GL

Vibrationsemission ($a_{h,M}$): 2,5 m/s^2 eller lägre
Måttolerans (K): 1,5 m/s^2

OBS: Det deklarerade totala vibrationsvärdet har uppmätts i enlighet med standardtestmetoden och kan användas för jämförandet av en maskin med en annan.

OBS: Det deklarerade totala vibrationsvärdet kan också användas i en preliminär bedömning av exponering för vibration.

⚠ VARNING: Vibrationsemissionen under faktisk användning av maskinen kan skilja sig från det deklarerade värdet, beroende på hur maskinen används och särskilt vilken typ av arbetsstycke som behandlas.

⚠ VARNING: Var noga med att identifiera säkerhetsåtgärder för att skydda användaren, vilka är grundade på en uppskattning av graden av exponering för vibrationer under de faktiska användningsförhållandena, (ta, förutom avtryckartiden, med alla delar av användarcykeln i beräkningen, som till exempel tiden då maskinen är avstängd och när den går på tomgång).

EG-försäkran om överensstämmelse

Gäller endast inom EU

EG-försäkran om överensstämmelse inkluderas som bilaga A till denna bruksanvisning.

SÄKERHETSVARNINGAR

Säkerhetsvarningar för sladdlös ryggdammsugare

⚠ VARNING: VIKTIGT! LÄS NOGGRANT igenom alla säkerhetsvarningar och anvisningar FÖRE ANVÄNDNING. Underlåtenhet att följa varningar och instruktioner kan leda till elstötar, brand och/eller allvarliga personskador.

1. Före användning bör du se till att denna dammsugare endast används av personer som har fått korrekta instruktioner om hur dammsugaren ska användas.
2. Innan användning ska användaren ges information, instruktioner och utbildning för användning av maskinen och av de ämnen som den ska användas för, inklusive säker metod för borttagning och kassering av det insamlade materialet.

3. Om skum eller vätska kommer ut ska maskinen stängas av omedelbart.
4. Rengör regelbundet enheten för vattentvättväggräns och kontrollera den om det finns tecken på skada.
5. Säkerställ alltid att filter är korrekt installerade innan användning. Använd inte dammsugaren utan att filter är på plats. Byt genast ut ett skadat filter. Det rekommenderas att ha några i reserv då filter är förbrukningsvaror.
6. **UNDVIK OAVSIKTLIG START.** Se till att strömbrytaren är **AVSTÄNGD** när batteriet/batterierna sätts i.
7. Försök inte att suga upp lättantändliga material, fyrverkerier, tända cigaretter, het aska, heta metallflisor, vassa material som rakblad, nålar, krossat glas eller liknande.
8. **ANVÄND ALDRIG DAMMSUGAREN I NÄRHETEN AV BENSIN, GAS, FÄRG, LIM ELLER ANDRA HÖGEXPLOSIVA ÄMNER.** Strömbrytaren avger gnistor när den slås PÅ och AV. Det gör även motorkommutatorn under användning. En farlig explosion kan uppstå.
9. Sug aldrig upp giftiga, cancerframkallande, brännbara eller andra farliga material som arsenik, arsenik, barium, beryllium, bly, bekämpningsmedel eller annat hälsofarliga material.
10. Placera alltid dammsugaren på en horisontell platt yta så att den inte faller eller rör sig oavsiktligt.
11. Använd aldrig dammsugaren utomhus i regnet.
12. I Finland ska inte denna maskin användas utomhus i låg temperatur.
13. Använd inte dammsugaren nära värmekällor (spisar osv.).
14. Om utloppsluften återgår ut i rummet är det nödvändigt att ordna med tillräckligt snabbt luftombyte i rummet. Det är nödvändigt att kontrollera nationella regelverk.
15. Blockera inte suginlopp/utlopp/ventilationshål. Dessa ventiler kylar ner motorn. Var noggrann med att inte blockera dessa, då motorn annars bränns ut p.g.a. brist på ventilation.
16. Stå alltid stabilt och ha god balans hela tiden.
17. Slangen får inte vikas, ryckas i eller trampas på.
18. Stäng genast av dammsugaren om den suger dåligt eller något onormalt sker med den under användningen.
19. **TA BORT BATTERIET/BATTERIERNA.** När dammsugaren inte används, före service och vid byte av tillbehör.
20. Rengör och serva dammsugaren omedelbart efter varje användning för att hålla den i perfekt skick.
21. **UNDERHÅLL DAMMSUGAREN MED OMSORG.** Håll dammsugaren ren för bättre och säkrare användning. Följ anvisningarna för byte av tillbehör. Håll handtagen torra, rena och fria från olja och smuts.
22. **KONTROLLERA SKADADE DELAR.** Före fortsatt användning av dammsugaren ska ett skadat skydd eller annan del som är skadad noggrant kontrolleras för att avgöra om den kommer att fungera korrekt och utföra det arbete som den är avsedd för. Kontrollera inriktningen och fästet för rörliga delar, om det finns trasiga delar, monteringen eller andra förhållanden som kan påverka användningen av dammsugaren. Ett skydd eller annan del som är skadad ska repareras ordentligt eller bytas ut av ett auktoriserat servicecenter om inte något annat anges i denna bruksanvisning. Låt ett auktoriserat servicecenter byta ut trasiga strömbrytare. Använd inte dammsugaren om strömbrytaren inte sätter på eller stänger av den.
23. Vid service utförd av användaren ska maskinen monteras ner, rengöras och servas, så långt som är praktiskt rimligt, utan att orsaka risk för underhållspersonalen och andra.
24. Maskinen ska vara tekniskt inspekterad av tillverkaren, eller av en instruerad person, minst en gång per år, bestående av exempelvis kontroll av filter för skada, lufttätethet och korrekt funktion av kontrollmekanismen.
25. Vid service eller reparation ska alla förorenade objekt som inte kan rengöras ordentligt kasseras; dylika objekt ska kasseras i ogenomträngliga påsar i enlighet med aktuell förordning om kassering av avfall.
26. **RESERVDELAR.** Vid service ska endast identiska reservdelar användas.
27. **FÖRVARA DAMMSUGARE SOM INTE ANVÄNDS.** Dammsugaren ska förvaras inomhus när den inte används.
28. Blöta filter och insidan av vätskebehållaren ska torkas innan förvaring.
29. Ta hand om din dammsugare. Hård hantering kan orsaka skada även på den mest robust byggda dammsugaren.
30. Försök inte att rengöra utsidan eller insidan med bensin, thinner eller rengörande kemikalier. Det kan orsaka sprickor och missfärgning.
31. Använd inte dammsugaren i ett slutet rum där lättantändliga, explosiva eller giftiga ångor avges från oljebaserad färg, thinner, bensin, malbehandlingsmedel osv., eller i områden där lättantändligt damm finns.
32. Använd inte dammsugaren eller annan maskin under påverkan av droger eller alkohol.
33. Som en grundläggande säkerhetsregel ska korgglasögon eller skyddsglasögon med sidoskydd användas.
34. Använd en dammask under dammiga förhållanden.
35. Denna maskin är inte avsedd för användning av personer med nedsatta fysiska, sensoriska eller mentala förmågor, eller som inte har nog med erfarenhet eller kunskap.
36. Barn ska övervakas så att de inte leker med dammsugaren.
37. Hantera aldrig batterier eller dammsugare med blöta händer.
38. Var mycket försiktig vid rengöring av trappor.
39. Använd inte dammsugaren som sittplats eller arbetsbänk. Maskinen kan ramla omkull och orsaka personskada.

Användning och underhåll av batteri

1. **Ladda endast med den batteriladdare som angetts av tillverkaren.** En laddare som passar en viss typ av batterier kan skapa risk för brand när den används tillsammans med annat batteri.
2. **Använd endast maskiner tillsammans med tillhörande batterier.** Om andra batterier används kan risken för personskada och brand öka.
3. **När batteriet inte används bör det hållas borta från andra metallföremål som till exempel gem, mynt, nycklar, spik, skruv eller andra små metallföremål som kan skapa anslutning från en terminal till en annan.** Kortslutning av batteripolerna kan orsaka brännskador eller brand.
4. **Under hårda förhållande kan det komma vätska ur batteriet. Undvik kontakt. Spola med vatten om kontakt ändå råkar uppstå. Om vätskan kommer i kontakt med ögonen bör läkare uppsökas.** Vätska från batteriet kan orsaka irritation på huden eller ge brännskador.
5. **Använd inte ett batteripaket eller maskin som är skadat eller ändrat.** Skadade eller ändrade batterier kan uppföra sig opålitligt, vilket kan leda till brand, explosion eller skaderisk.
6. **Utsätt inte batteripaket eller maskiner för brand eller höga temperaturer.** Exponering för brand eller temperaturer över 130 °C kan leda till explosion.
7. **Följ alla laddningsinstruktioner och ladda inte batteripaketet eller maskinen utanför det temperaturintervall som anges i instruktionerna.** Felaktig laddning, eller vid temperaturer utanför det angivna intervallet, kan skada batteriet och öka risken för brand.

SPARA DESSA ANVISNINGAR.

⚠VARNING: GLÖM INTE att också fortsättningsvis strikt följa säkerhetsanvisningarna för maskinen även efter att du blivit van att använda den. Vid **FELAKTIG HANTERING** av maskinen eller om inte säkerhetsanvisningarna i denna bruksanvisning följs kan följden bli allvarliga personskador.

Viktiga säkerhetsanvisningar för batterikassetten

1. Innan batterikassetten används ska alla instruktioner och varningsmärken på (1) batteriladdaren, (2) batteriet och (3) produkten läsas.
2. **Montera inte isär eller mixra med batterikassetten.** Det kan leda till brand, överdriven värme eller explosion.
3. **Om drifttiden blivit avsevärt kortare ska användningen avbrytas omedelbart.** Det kan uppstå överhettning, brännskador och t o m en explosion.
4. **Om du får elektrolyt i ögonen ska de sköljas med rent vatten och läkare uppsökas omedelbart.** Det finns risk för att synen förloras.
5. **Kortslut inte batterikassetten.**
 - (1) Rör inte vid polerna med något strömförande material.
 - (2) Undvik att förvara batterikassetten tillsammans med andra metallobjekt som t.ex. spikar, mynt o.s.v.
 - (3) Skydda batteriet mot vatten och regn.

En batterikortslutning kan orsaka ett stort strömflöde, överhettning, brand och maskinhaveri.

6. **Förvara och använd inte verktyget och batterikassetten på platser där temperaturen kan nå eller överstiga 50 °C.**
7. **Bränn inte upp batterikassetten även om den är svårt skadad eller helt utsliten.** Batterikassetten kan explodera i öppen eld.
8. **Spika inte i, krossa, kasta, tappa eller slå batterikassetten mot hårda föremål.** Dylika handlingar kan leda till brand, överdriven värme eller explosion.
9. **Använd inte ett skadat batteri.**
10. **De medföljande litiumjonbatterierna är föremål för kraven i gällande lagstiftning för farligt gods.**

För kommersiella transporter (av t.ex. tredje parter som speditorsfirmor) måste de särskilda transportkrav som anges på emballaget och etiketter iakttas. För att förbereda den produkt som ska avsändas krävs att du konsulterar en expert på riskmaterial. Var också uppmärksam på att det i ditt land kan finnas ytterligare föreskrifter att följa.

Tejpa över eller maskera blottade kontakter och packa batteriet på sådant sätt att det inte kan röra sig fritt i förpackningen.
11. **När batterikassetten ska kasseras måste den tas bort från maskinen och kasseras på ett säkert sätt. Följ lokala föreskrifter beträffande avfallshantering av batteriet.**
12. **Använd endast batterierna med de produkter som specificerats av Makita.** Att använda batterierna med ej godkända produkter kan leda till brand, överdriven värme, explosion eller utläckande elektrolyt.
13. **Om maskinen inte används under en lång tid måste batteriet tas bort från maskinen.**
14. **Under och efter användning kan batterikassetten bli het vilket kan orsaka brännskador eller lättare brännskador.** Var uppmärksam på hur du hanterar varma batterikassetter.
15. **Vidrör inte verktygets kontakter direkt efter användning eftersom de kan bli heta och orsaka brännskador.**
16. **Låt inte flisor, damm eller smuts fastna i kontakterna, i hål eller spår i batterikassetten.** Det kan leda till att verktyget eller batterikassetten värms upp, fattar eld, går sönder eller inte fungerar som de ska, vilket kan orsaka brännskador eller personskador.
17. **Såvida inte verktyget stöder arbeten i närheten av högspänningsledning får batterikassetten inte användas i närheten av en högspänningsledning.** Det kan leda till att verktyget eller batterikassetten går sönder eller inte fungerar korrekt.
18. **Förvara batteriet utom räckhåll för barn.**

SPARA DESSA ANVISNINGAR.

⚠FÖRSIKTIGT: Använda endast äkta Makita-batterier. Användning av oäkta Makita-batterier eller batterier som har manipulerats kan leda till person- och utrustningsskador eller till att batteriet fattar eld. Det upphäver också Makitas garanti för verktyget och laddaren.

Tips för att uppnå batteriets maximala livslängd

1. Ladda batterikassetten innan den är helt urladdad. Stanna alltid maskinen och ladda batterikassetten när du märker att maskinen blir svagare.
2. Ladda aldrig en fulladdad batterikasset. Överladdning förkortar batteriets livslängd.
3. Ladda batterikassetten vid en rumstemperatur på 10 °C - 40 °C. Låt en varm batterikasset svalna innan den laddas.
4. När batterikassetten inte används ska den tas bort från verktyget eller laddaren.
5. Ladda batterikassetten om du inte har använt den på länge (mer än sex månader).

BESKRIVNING AV DELAR

- Fig.1: 1. Huvudenhet 2. Flottör 3. Flottörbur
4. Tygfilter 5. Tank

FUNKTIONSBESKRIVNING

⚠ FÖRSIKTIGT: Se alltid till att apparaten är avstängd och batterikassetterna borttagna innan du justerar apparaten eller kontrollerar dess funktioner.

Montera eller demontera batterikassetten

⚠ FÖRSIKTIGT: Stäng alltid av apparaten innan du installerar eller tar bort batterikassetter.

⚠ FÖRSIKTIGT: Håll stadigt i dammsugaren och batterikassetterna när du monterar eller tar bort batterikassetterna. I annat fall kan de halka ur händerna och skada dammsugaren och batterikassetterna samt orsaka personskada.

⚠ FÖRSIKTIGT: Var försiktig så att du inte klämmer fingrarna när du öppnar/stänger batteriluckan. I annat fall kan personskada uppstå.

Dammsugaren har dubbla batterifack. Med två identiska batterier som används parallellt kan drifttiden utökas med en eller flera användningar utan att behöva stanna upp för att ladda batterier. Dammsugaren fungerar också med ett batteri så du kan välja om du vill använda antingen dubbla batterier eller ett batteri baserat på dina behov.

- Fig.2: 1. Vänster batterifack 2. Höger batterifack

Med dubbla batterier

Kontinuerlig körning med två batterier tillåter längre drifttid och effektivare rengöring. När det första batteriet börjar ta slut byter dammsugaren automatiskt strömkälla och fortsätter med det andra batteriet.

OBS: Vänster batterifack (framifrån dammsugaren sett) prioriteras över höger batterifack. Höger batterifack kommer bara identifieras som strömkälla när det saknas ett batteri i vänster batterifack eller när batteriet i vänster batterifack är tomt.

OBS: Du kan ta bort batteriet från vänster batterifack och ladda upp det efter att dammsugaren har bytt strömkälla från vänster batterifack till det högra utan att stängas av. För att gå tillbaka till vänster batterifack efter att ha satt i ett fulladdat batteri, starta om dammsugaren.

Med ett batteri

Bara ett batteri krävs som strömkälla in antingen vänster eller höger batterifack. Dammsugaren bestämmer automatiskt vilket batterifack som är tillgängligt enligt de omständigheter som råder.

Montering och demontering

För att montera batterikassetterna, lossa först spärren och öppna batterikåpan. Sätt sedan in batterikassetterna.

- Fig.3: 1. Spärr 2. Batterikåpa

Rikta in tungorna på batterikassetterna mot spåret i batterihöljet och skjut dem på plats. Tryck in dem ordentligt tills de låses fast med ett klick.

Läs därefter batterikåpan.

- Fig.4: 1. Batterikasset 2. Knapp

För att ta bort batterikassetterna, dra ut dem ur batterikåpan samtidigt som du trycker och håller ner knapparna framför kassetterna.

⚠ FÖRSIKTIGT: Installera alltid batterikassetten helt. I annat fall kan den plötsligt lossna från anordningen och skada dig eller någon annan.

⚠ FÖRSIKTIGT: Montera inte batterikassetten med våld. Om kassetten inte lätt glider på plats är den felinsatt.

OBS: När dammsugaren byter strömkälla från det första batteriet till det andra kan det resultera i ett temporärt stopp vilket orsakar en mindre försämring i sugkraft. Notera att detta inte är ett funktionsfel då dammsugaren återhämtar sig och fortsätter omedelbart efter pausen.

Indikerar kvarvarande batterikapacitet

Tryck på kontrollknappen på batterikassetten för att se kvarvarande batterikapacitet. Indikatorlamporna lyser i ett par sekunder.

- Fig.5: 1. Indikatorlampor 2. Kontrollknapp

| Indikatorlampor | | | Kvarvarande kapacitet |
|-----------------|---------|---------|---------------------------|
| Upplyst | Av | Blinkar | |
| ■ | □ | ▧ | 75% till 100% |
| ■ ■ ■ ■ | | | |
| ■ ■ ■ ■ | □ | | 50% till 75% |
| ■ ■ ■ □ | □ □ | | 25% till 50% |
| ■ □ □ □ | □ □ □ □ | | 0% till 25% |
| ▧ □ □ □ | □ □ □ □ | | Ladda batteriet. |
| ■ ■ □ □ | □ □ □ □ | | Batteriet kan ha skadats. |
| □ □ ■ ■ | □ □ ■ ■ | | |

OBS: Beroende på användningsförhållanden och den omgivande temperaturen kan indikationen skilja sig lätt från den faktiska batterikapaciteten.

OBS: Den första (längst till vänster) indikatorlampan kommer att blinka när batteriskyddssystemet fungerar.

Batteriindikatorer på kontrollpanel

Återstående batterikapacitet kan när som helst utläsas på kontrollpanelen. Tryck på kontrollknappen för att se indikatorerna för vänster och höger batterinivå.

► **Fig.6:** 1. Batteriindikatorer 2. Kontrollknapp

► **Fig.7**

| Batteriindikatorstatus | | | Kvarvarande batterikapacitet |
|------------------------|---------|---------|------------------------------|
| På | Av | Blinkar | |
| ■ | □ | ▧ | 50 % till 100 % |
| ■ ■ ■ ■ | | | |
| ■ ■ ■ □ | □ | | 20 % till 50 % |
| ■ ■ □ □ | □ □ | | 0 % till 20 % |
| ■ □ □ □ | □ □ □ □ | | Ladda batteriet |
| ▧ □ □ □ | □ □ □ □ | | Batteri ej isatt |

OBS: Batteriindikatorerna aktiveras även när dammsugaren startar upp eller byter strömkälla från en till en annan.

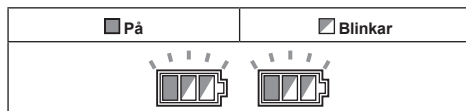
Skyddssystem för apparaten/batteriet

Apparaten är utrustad med ett apparat-/batteriskyddssystem. Detta system bryter automatiskt strömmen till motorn för att förlänga apparatens och batteriets livslängd. Apparaten stannar automatiskt under användningen om apparaten eller batteriet hamnar i en av följande:

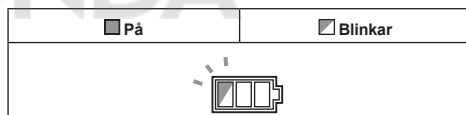
Överbelastningsskydd

Om apparaten/batteriet används på ett sätt som gör att det drar onormalt mycket ström kan apparaten stoppa automatiskt. När detta sker stänger du av apparaten och upphör med arbetet som gjorde att den överbelastades. Starta därefter upp apparaten igen.

Överhettningsskydd



När apparaten är överhettad stannar den automatiskt och både vänster och höger batteriindikator blinkar. I detta läge ska apparaten få svalna innan du startar apparaten igen.



När batteriet är överhettat stannar den automatiskt och en av indikatorerna för överhettat batteri blinkar. I detta läge ska du låta batteriet svalna innan du startar upp apparaten igen.

Överurladdningsskydd

När batterikapaciteten är låg stannar apparaten automatiskt. Om apparaten inte fungerar i samband med växlingen, plocka ur batterierna ur apparaten och ladda dem.

Skydd mot andra orsaker

Skyddssystemet är utvecklat mot andra orsaker som skulle kunna skada apparaten och tillåter apparaten att stanna automatiskt. Ta följande steg för att åtgärda felen när apparaten har stannat temporärt eller stannat helt.

1. Stäng av apparaten och starta sedan upp den igen.
2. Laddning av batteriet/batterierna och ersätt det/ dem med laddade batteri(er).
3. Låt apparaten och batteri(erna) svalna.

Om ingen förbättring kan hittas genom att återställa skyddssystemet, kontakta ditt lokala Makita Service Center.

Avtryckarens funktion

Starta dammsugaren

1. Sätt standby-knappen i position "I" (PÅ) för att ha dammsugaren redo i standby-läge.
2. Tryck in strömbrytaren.
Tryck på strömbrytaren för att växla tillbaka till standby-läge.

Stäng av dammsugaren

Utför ett av följande steg.

- Tryck in strömbrytaren för att ställa dammsugaren i standby-läge igen och vrid sedan standby-knappen till position "O (OFF)".
- Vrid standby-knappen till position "O" (AV).

Justera sugstyrka

Sugkraften kan justeras efter arbetsbehov.

- Vrid justeringsratten för sugstyrka åt vänster för att sänka sugstyrkan.
- Vrid justeringsratten för sugstyrka åt höger för att öka sugstyrkan.

- **Fig.8:** 1. Stand-by-omkopplare 2. Strömbrytare
3. Justeringsratt till sugstyrka

Auto-sugning stoppar under våt sugning

⚠ VARNING: Använd den inte under lång tid medan flottören arbetar. I annat fall kan det orsaka överhettning vilket resulterar i att dammsugaren deformeras.

⚠ VARNING: Sug inte upp skum eller tvållösning. Det kan leda till att skum kommer ut ur luftutgången innan flottören arbetar. Att fortsätta använda dammsugaren under sådana förhållanden kan orsaka elektriska stötar och att dammsugaren går sönder.

Stoppfunktionen för autosugning fungerar endast när dammsugaren används ihop med flottören och flottörburen.

Dammsugaren har en flytmekanism som förhindrar att vatten tränger in i motorn när det sugs upp mer än en viss mängd vatten. När tanken är full och dammsugaren inte längre suger upp vatten ska dammsugaren stängas av och tanken tömmas.

Låsa och låsa upp hjul

Bakhjul kan låsas med stoppanordningar för att hjälpa dammsugaren att stå still.

Sänk ner spärrarmen för hand för att låsa fast bakhjulet och för den uppåt för att låsa upp.

- **Fig.9:** 1. Hjul 2. Spärrarm 3. Läge FREE 4. Läge LOCK

OBS: Kontrollera så att hjulen inte är låsta när du flyttar dammsugaren. Skulle dammsugaren flyttas med hjulen i låst position skulle det kunna skada hjulen.

Bärhandtag

⚠ FÖRSIKTIGT: Lyft och bär försiktigt apparaten. Om du inte gör det kan det leda till personskador eller skada på apparaten.

När du bär dammsugaren ska du hålla i handtaget som sitter på huvudenheten. Handtaget går att fälla in i huvudenheten när det inte används.

- **Fig.10**

MONTERING

⚠ FÖRSIKTIGT: Se alltid till att apparaten är avstängd och batterikassetterna borttagna innan du utför något arbete på apparaten.

⚠ FÖRSIKTIGT: Bär alltid andningsmask vid montering eller underhåll.

Montera dammfilter (HEPA) och förfilter (för torrt damm)

Valfria tillbehör

⚠ FÖRSIKTIGT: Sug aldrig upp vatten eller andra vätskor eller blött damm när dammfiltret används. Om sådant sugts in kan det medföra att dammfiltret går sönder.

Att använda dammfilter:

1. Lossa skruvarna som håller fast flottörburen och ta sedan bort skruvarna, flottörburen och flottören från huvudenheten.

- **Fig.11:** 1. Skruv 2. Flottörbur 3. Flottör
4. Huvudenhet

2. Avlägsna tygfilteret från tanken.

- **Fig.12:** 1. Tygfilter 2. Tank

3. Placera förfiltret i tanken och passa in det med hjälp av markeringen för monteringsläget på förfiltret och tanken.

4. Ställ in dämparen i förfiltret och placera sedan dammfiltret över dämparen genom att passa in det med hjälp av markeringarna för montering på dammfiltret och förfiltret.

5. Montera huvudenheten över tanken och säkra dem med låsspärrarna.

- **Fig.13:** 1. Huvudenhet 2. Dammfilter (HEPA)
3. Dämpare 4. Förfilter 5. Tank 6. Markering för monteringsläge

OBSERVERA: Innan dammfiltret används ska du kontrollera att förfiltret och stötdämparen alltid används tillsammans. Det är inte tillåtet att endast montera dammfiltret.

Montera vattenfilter

Valfria tillbehör

OBSERVERA: Sug aldrig upp vatten eller vått damm utan flottör och tygfilter eller vattenfilter.

OBSERVERA: Se till att flottörburen och flottören är monterade på dammsugaren när du ska suga upp vått damm.

OBSERVERA: Vid montering av vattenfiltret på tanken ska det fästas tätt på tankens öppning så att vattenfiltrets hake fäster ordentligt och att det inte finns något mellanrum mellan vattenfiltret och tanken.

För att endast suga upp vatten eller vått damm är det bättre att använda vattenfiltret istället för tygfilter. Rikta in markeringen för monteringsläget på vattenfiltret efter markeringen för monteringsläget på tanken när du monterar vattenfiltret.

► **Fig.14:** 1. Vattenfilter 2. Tank 3. Markering för monteringsläge

OBS: Det rekommenderas att använda vattenfiltret när stora mängder av vatten ska sugas upp upprepade gånger. I annat fall kan uppsugningsförmågan reduceras om tygfilter används.

Montera pappersbehållare

Valfria tillbehör

⚠ VARNING: Kontrollera att tygfiltert eller förfiltret används tillsammans. Innan pappersbehållaren används. Om man inte använder även tygfiltert/förfiltret kan det orsaka onormalt buller och hetta och resultera i brand.

OBSERVERA: Sug aldrig upp vatten eller andra vätskor eller blött damm när en pappersbehållare används. I annat fall kan det ta sönder pappersbehållaren.

OBSERVERA: Vid montering av tygfiltert, se till att flottören och flottörburen är fästa på huvudenheten.

OBSERVERA: När förfiltret används, se då till att dammfiltert och dämparen används tillsammans.

1. Vik upp en pappersbehållare.
 2. Rikta in öppningen på pappersbehållaren med hjälp av dammintaget på tanken.
 3. Montera pappersbehållaren i tanken med kartongöppningen fäst på pappersbehållaren.
- **Fig.15:** 1. Pappersbehållare 2. Kartongöppning 3. Pappersbehållare 4. Dammintag

Montera polyetylenpåse

Med en polyetylenpåse installerad i tanken kan du enkelt tömma tanken utan att smutsa ner dina händer.

Lägg en polyetylenpåse över tanken och låt ena sidan av påsens överkant vid den öppna änden glida emellan hållarplattan och tankens framvägg.

► **Fig.16:** 1. Hållarplatta 2. Tankens framvägg 3. Polyetylenpåse

Sprid ut påsens övre kanter över tankens kanter. Placera tygfiltert eller förfiltret över polyetylenpåsen för att ordentligt fästa påsens öppning.

► **Fig.17:** 1. Tygfilter/förfiltret

OBS: Polyetylenpåsar som finns i handeln kan användas. 0,04 mm eller tjockare rekommenderas.

OBS: För mycket damm tar lätt sönder påsen, så fyll inte påsen mer än till hälften.

Tömma tank med polyetylenpåse

⚠ VARNING: Se alltid till att dammsugaren är avstängd och att batterikassetterna är urtagna innan tanken töms. I annat fall kan det orsaka en elektrisk stöt och allvarlig personskada.

OBSERVERA: Tryck inte hårt på flottörburen och tanken. I annat fall kan det orsaka deformation och skada på delar.

OBSERVERA: Töm tanken åtminstone en gång per dag (fast detta beror ju på den uppsugna mängden i tanken). Annars kan sugkraften minska och motorn kan gå sönder.

OBSERVERA: Ta inte tag i hakarna eller spärreglagen när du tömmer tanken. Att gripa tag i hakarna eller låsspärrarna kan få dem att gå sönder.

Släpp låsspärrarna och lyft upp huvudenheten från tanken.

Skaka av dammet från tygfiltert eller förfiltret innan det avlägsnas från tanken.

Avlägsna sedan polyetylenpåsen ur tanken och stäng dess öppning med händerna.

► **Fig.18:** 1. Polyetylenpåse 2. Tank

OBS: Ta försiktigt ut polyetylenpåsen ur tanken för att undvika att den får skrapor eller förstörs av kanterna i tanken.

OBS: Töm polyetylenpåsen innan den blir full. För mycket damm i tanken kan leda till att polyetylenpåsen går sönder.

Montera multi-kroken

Använd multi-kroken för att hålla en slang, tillbehör och tillsatser som inte används, på plats så att du snabbt kan ta ut dem när de behövs.

► **Fig.19**

Placera kroken över monteringsbasen vid den bakre delen av dammsugaren genom att placera skenorna på multi-kroken längs spåren på monteringsbasen.

► **Fig.20:** 1. Multi-krok 2. Monteringsbas

Montera MAKPAC-adapter

Valfria tillbehör

Anslutbara och stapelbara MAKPAC-förvaringsfodral kan monteras ovanpå dammsugaren med en adapter. Fodralen finns tillgängliga i flera storlekar och utseendet för att passa dig.

Placera monteringsbasens krok över dammsugarens handtag med monteringsytan pekandes uppåt när handtaget är i stängt läge.

- **Fig.21:** 1. Monteringsbasens krok 2. Monteringsyta 3. Handtag

Montera MAKPAC-adaptorn på monteringsbasens krok och skruva ihop dem med de fyra skruvarna som medföljer.

- **Fig.22:** 1. MAKPAC-adapter 2. Monteringsbasens krok 3. Skruv

Lyft skjutstängan och dra åt ratten för att förbereda inför monteringen av MAKPAC-fodral på dammsugaren.

- **Fig.23:** 1. Skjutstång 2. Vred

OBS: För information om hur man monterar MAKPAC-fodral, se instruktionerna som kom med MAKPAC-adaptorn och fodralen.

Montera slang

OBSERVERA: Böj aldrig slangen med tvång eller trampa på den. Förflytta aldrig dammsugaren genom att dra i slangen. Att tvinga, trampa på eller att dra i slangen kan ta sönder eller deformera den.

OBSERVERA: Vid uppsugning av stora bitar såsom hyvelspån, betongdamm eller liknande ska slangen med en innerdiameter på 38 mm (valfritt tillbehör) användas. Att använda slangen med en innerdiameter på 28 mm (valfritt tillbehör) kan blockera och skada den.

Anslutning till dammsugaren

För in slangändan i dammsugarens dammintag (slangintag) och vrid sedan medurs tills den fäster i rätt läge.

- **Fig.24:** 1. Slang 2. Dammintag (slangintag)

Anslutningar till dina arbetsverktyg (landsspecifikt)

Genom att ansluta dammsugaren till tillgängliga arbetsverktyg som är kompatibla med dammsugaren så fungerar den som en dammsugare för dina elverktyg.

Välj en av de främre kopplingarna eller anslutningsdelarna (valfria tillbehör) som är mest lämplig för din typ av verktyg. Placera kopplingarna eller anslutningsdel mellan den främre delen av rengöringsslangen och dammuppsugningsporten på ditt verktyg.

- **Fig.25:** 1. Främre kopplingar eller anslutningsdel 2. Rengöringsslang 3. Elverktyg 4. Dammsugare

Montering eller demontering dammsugartillsatser

⚠ FÖRSIKTIGT: När ett tillbehör har installerats ska du kontrollera att det sitter säkert. Om tillbehöret är ofullständigt monterat kan det lossna och orsaka personskada.

När tillbehöret utan låsfunktion används

Valfria tillbehör

För in en tillsats i dammsugarens sugöppning genom att trycka och skruva den på plats för hand.

Vrid och drag tillsatsen för hand ur sugöppningen efter användning.

- **Fig.26**

Tillsatser med låsfunktion

Valfria tillbehör

OBSERVERA: Se till när du installerar tillbehöret med låsfunktion att du passar in frigöringsknappen med kroken på tillbehöret. Om de inte är inpassade med varandra blir tillbehöret inte låst och kan lossna från dammsugaren.

För in tillsatsen i dammsugarens sugöppning genom att trycka ihop dem med ett klick.

För att avlägsna tillsatsen, dra av den samtidigt som frigöringsknappen trycks ner.

- **Fig.27:** 1. Suginlopp med låsfunktion 2. Frigöringsknapp 3. Tillsats med låsfunktion

OBS: En tillsats med låsfunktion kan bara installeras i suginloppet med låsfunktion.

- **Fig.28:** 1. Tillsats med låsfunktion 2. Suginlopp med låsfunktion 3. Suginlopp utan låsfunktion

Justera längderna på förlängningsröret av skjuttyp

Valfria tillbehör

Ett förlängningsrör av skjuttyp kan kombineras för kortare och längre längder. Det tillåter rengöring på svåråtkomliga områden och möjliggör bekvämare ställningsalternativ.

Dra skjuetröret in och ut för att ändra längden på röret samtidigt som skjutknappen hålls nere.

Släpp skjutknappen för att låsa skjuetröret i önskat läge.

- **Fig.29:** 1. Skjuetrör 2. Skjutknapp

UNDERHÅLL

⚠ FÖRSIKTIGT: Se alltid till att apparaten är avstängd och batterikassetterna borttagna innan inspektion eller underhåll utförs.

OBSERVERA: Använd inte bensin, förtunningsmedel, alkohol eller liknande. Missfärgning, deformation eller sprickor kan uppstå.

För att upprätthålla produktens SÄKERHET och TILLFÖRLITLIGHET bör allt underhålls- och justeringsarbete utföras av ett auktoriserat Makita servicecenter och med reservdelar från Makita.

Förvaring av tillbehör

Tillbehör och tillsatser som inte används, så som munstycken och borstar, kan hakas fast och förvaras i multi-kroken på den bakre delen av dammsugaren.

► **Fig.30:** 1. Multi-krok 2. Tillbehör och tillsatser som inte används

Rör (med en valfri stoppanordning installerad) kan placeras i rörhållaren när du slutar att använda dammsugaren för ett ögonblick.

► **Fig.31:** 1. Stoppanordning (valfritt tillbehör)
2. Rörhållare

En slang kan viras i stora öglor och lagras runt dammsugarhuset eller handtaget. Koppla ihop dess båda ändar för att göra öglor och haka fast öglorna på handtaget. Alternativt, fortsätt att ha rotänden installerad i slangenloppet och häng öglorna på multi-kroken med de lösa ändarna ihopbundna.

► **Fig.32**

► **Fig.33**

Rengöra tygfiltret

Rengör tygfiltret regelbundet eftersom blockerade tygfilter kan resultera i dålig sugförmåga.

Torka och skaka av damm från tygfiltret för hand med jämna mellanrum.

► **Fig.34:** 1. Tygfilter

Rengöring av dammfilter (HEPA) och förfilter

Valfria tillbehör

Rengör dammfiltret, förfiltret och dämparen enligt ett schema eftersom blockerade filter och dämpare kan resultera i dålig sugförmåga.

Torka och skaka bort damm regelbundet från filtren och dämparen för hand.

Tvätta dammfiltret då och då i vatten, skölj och torka noggrant i skuggan före användning. Tvätta aldrig filtren i tvättmaskinen.

► **Fig.35**

OBS: Skrubba inte eller skrapa på dammfiltret, förfiltret eller stötdämparen med hårda föremål såsom en borste eller spatel.

OBS: Filtren slits ut med tiden. Det rekommenderas att ha filter i reserv.

VALFRIA TILLBEHÖR

⚠ FÖRSIKTIGT: Följande tillbehör eller tillsatser rekommenderas för användning med den Makita-maskin som denna bruksanvisning avser. Om andra tillbehör eller tillsatser används kan det uppstå risk för personsador. Använd endast tillbehören eller tillsatserna för de syften de är avsedda för.

Kontakta ditt lokala Makita servicecenter om du behöver ytterligare information om dessa tillbehör.

- Slang
- Främre kopplingar (22, 24, 38)
- Rakt rör
- Förlängningsrör
- Hörnmunstycke
- Rund borste
- Dammfilter, HEPA (för torrt damm)
- Stötdämpare
- Förfilter
- Vattenfilter
- Tygfilter
- Munstycke
- Vinklat rör
- Polyetylenpåse
- Pappersbehållare
- MAKPAC-adapter
- Makitas originalbatteri och -laddare

OBS: Några av tillbehören i listan kan vara inkluderade i maskinpaketet som standardtillbehör. De kan variera mellan olika länder.

ADVARSEL

- Denne maskinen skal ikke brukes av personer med reduserte fysiske, sensoriske eller mentale evner, eller personer som mangler erfaring og kunnskap.
- Små barn må være under oppsyn for å sikre at de ikke leker med støvsugeren.
- Typereferanse for batteriet finnes i kapittelet "SPESIFIKASJONER".
- Informasjon om hvordan batteriet settes i og tas ut finnes i avsnittet "Sette inn eller ta ut batteri".
- Når batteriet skal avhendes, tar du det ut av verktøyet og kaster det på et trygt sted. Følg lokale bestemmelser for avhending av batterier.
- Hvis verktøyet ikke skal brukes på en god stund, må batteriet tas ut av verktøyet.
- Ikke kortslutt batteriet.
- Nærmere detaljer om forholdsregler under brukervedlikehold finnes i kapittelet "VEDLIKEHOLD".

TEKNISKE DATA

| Modell: | VC001GL | VC003GL |
|---|---------------------------------------|--------------------------|
| Standard filtertype | Tekstilfilter (for tørt og vått støv) | |
| Maksimalt luftvolum (med BL4040, ø32 mm x 1,7 m slange) | 2,7 m ³ /min | |
| Støvsuger (med BL4040, ø32 mm x 1,7 m slange) | 23 kPa | |
| Gjenvinnbar kapasitet | Støv | 15 l |
| | Vann | 12 l |
| Mål (L x B x H) | 366 mm x 334 mm x 425 mm | 366 mm x 334 mm x 475 mm |
| Nominell spenning | DC 36 V - 40 V maks | |
| Nettovekt | 8,1 - 11,2 kg | 8,4 - 11,5 kg |
| Beskyttelsesgrad | IPX4 | |

- På grunn av vårt kontinuerlige forsknings- og utviklingsprogram kan spesifikasjonene som oppgis i dette dokumentet endres uten varsel.
- Spesifikasjoner og batteriinnsetning kan variere fra land til land.
- Vekten omfatter ikke tilbehør, men batteri(er). Den letteste og tyngste vektkombinasjonen av innretningen og batteri(er) vises i tabellen.
- Bruk flyteventilen og vannfilteret eller tekstilfilteret til vått støv.

Passende batteri og lader

| | |
|-------------------|---|
| Batteriinnsetning | BL4020 / BL4025 / BL4040* / BL4050F* / BL4080F* * : Anbefalt batteri |
| Lader | DC40RA / DC40RB / DC40RC |

- Noen av batteriene og laderne som er opplistet ovenfor er kanskje ikke tilgjengelige, avhengig av hvor du bor.

⚠ADVARSEL: Bruk kun de batteriene og laderne som er opplistet ovenfor. Bruk av andre batterier og ladere kan føre til personskader og/eller brann.

Symboler

Nedenfor ser du symbolene som kan brukes for dette utstyret. Forviss deg om at du forstår hva de betyr, før du begynner å bruke maskinen.



Les bruksanvisningen.



Vær spesielt forsiktig og oppmerksom.



Advarsel! Støvsugeren kan inneholde farlig støv.



Du må aldri stå på støvsugeren.



Støvklasse L (lett). Støvsugeren er i stand til å plukke opp støv i klasse L. Følg lokale forskrifter angående støv, helse og sikkerhet.



Kun for EU-land

På grunn av forekomst av farlige komponenter i utstyret, kan avfall fra elektrisk og elektronisk utstyr, akkumulatører og batterier ha en negativ innvirkning på miljøet og menneskers helse.

Ikke kast elektriske og elektroniske apparater eller batterier sammen med husholdningsavfall!

I samsvar med det europeiske direktivet om avfall fra elektrisk og elektronisk utstyr og om akkumulatører og batterier samt akkumulatører og batterier som skal kastes, samt deres tilpasning til nasjonal lovgivning, skal brukt elektrisk utstyr samt brukte batterier og akkumulatører samles inn separat og leveres til et eget innsamlingssted for kommunalt avfall, som driver virksomhet i samsvar med miljøvernforordningene.

Dette er angis av symbolet med den overkryssede avfallsbeholderen som er plassert på utstyret.

Vibrasjoner

Den totale vibrasjonsverdien (triaksial vektorsum) bestemt i henhold EN60335-2-69:

Modell VC001GL

Genererte vibrasjoner ($a_{h,M}$): 2,5 m/s² eller mindre
Usikkerhet (K): 1,5 m/s²

Modell VC003GL

Genererte vibrasjoner ($a_{h,M}$): 2,5 m/s² eller mindre
Usikkerhet (K): 1,5 m/s²

MERK: Den/de oppgitte verdien(e) for totalt genererte vibrasjoner har blitt målt i henhold til standard testmetoder, og kan bli brukt til å sammenligne ett verktøy med et annet.

MERK: Den/de angitte verdien(e) for totalt genererte vibrasjoner kan også brukes til en foreløpig vurdering av eksponeringen.

Riktig bruk

Dette apparatet er laget for å samle opp både vått og tørt støv. Apparatet er egnet for kommersiell bruk, f.eks. på hoteller, skoler, sykehus, fabrikker, butikker, kontorer og i utleievirksomhet.

Støy

Typisk A-vektet lydtrykknivå er bestemt i henhold til EN60335-2-69:

Modell VC001GL

Lydtrykknivå (L_{pA}): 70 dB (A) eller mindre
Usikkerhet (K): 2,5 dB (A)

Modell VC003GL

Lydtrykknivå (L_{pA}): 70 dB (A) eller mindre
Usikkerhet (K): 2,5 dB (A)

Støynivået under arbeid kan overskride 80 dB (A).

MERK: Den/de oppgitte verdien(e) for genererte vibrasjoner har blitt målt i henhold til standard testmetoder, og kan bli brukt til å sammenligne ett verktøy med et annet.

MERK: Den/de angitte verdien(e) for de genererte vibrasjonene kan også brukes til en foreløpig vurdering av eksponeringen.

⚠ ADVARSEL: Bruk hørselsvern.

⚠ ADVARSEL: De genererte vibrasjonene ved faktisk bruk av elektroverktøyet kan avvike fra den/de angitte vibrasjonsverdien(e), avhengig av hvordan verktøyet brukes.

⚠ ADVARSEL: Sørg for å identifisere vernetiltak for å beskytte operatøren, som er basert på et estimat av eksponeringen under de faktiske bruksforholdene (idet det tas hensyn til alle deler av driftssyklusen, dvs. hvor lenge verktøyet er slått av, hvor lenge det går på tomgang og hvor lenge startbryteren faktisk holdes trykket).

EFs samsvarserklæring

Gjelder kun for land i Europa

EFs samsvarserklæring er lagt til som vedlegg A i denne bruksanvisningen.

SIKKERHETSADVARSEL

Sikkerhetsadvarsler for trådløs støvsuger

⚠ ADVARSEL: VIKTIG. LES NØYE alle sikkerhetsadvarsler og instruksjoner FØR BRUK. Hvis du ikke følger alle advarslene og instruksjonene som er oppført nedenfor, kan det føre til elektriske støt, brann og/eller alvorlige helseskader.

1. Støvsugeren skal kun benyttes av personer som har fått tilstrekkelig opplæring i hvordan den skal brukes.
2. Før bruk må operatørene bli gitt informasjon, instruksjon og opplæring i bruken av maskinen og stoffene den skal brukes på, inkludert en trygg måte for fjerning og kassering av materialet som er samlet inn.
3. Slå av umiddelbart hvis det kommer ut skum eller væske.
4. Innretningen for kontroll av vannnivå må med jevne mellomrom rengjøres og undersøkes for tegn til skader.

5. Alltid kontroller at filterposen er satt inn riktig før bruk. Støvsugeren må ikke brukes uten at filtrene er på plass. Hvis filteret er skadet, må det skiftes ut umiddelbart. Det anbefales å ha noen i reserve fordi filtre er forbruksvarer.
 6. **PASS PÅ AT STØVSUGEREN IKKE STARTES OPP UTILSIKTET.** Kontroller at bryteren er AV når du setter i batteriet/batterieene.
 7. Ikke bruk støvsugeren på brennbart materiale, fyrtverkeri, tente sigaretter, varm aske, varmt metallspen eller skarpe materialer som f.eks. barberblader, nåler, knust glass eller lignende.
 8. **ALDRI BRUK STØVSUGEREN I NÆRHETEN AV BENSIN, GASS, MALING, LIM ELLER ANDRE HØYEKSPLOSIVE STOFFER.** Bryteren slår gnister når den slås PÅ og AV. Det samme gjør kommutatormotoren når den er i bruk. Dette kan forårsake farlig eksplosjon.
 9. Bruk aldri støvsugeren på giftige, kreftfremkallende, brennbare eller andre farlige materialer som f.eks. asbest, arsen, barium, beryllium, bly, skadedyrsmidler eller andre helseskadelige stoffer.
 10. Støvsugeren skal alltid plasseres på en horisontal, flat overflate for å unngå at den velter eller beveger seg utilsikket.
 11. Bruk aldri støvsugeren utendørs i regnvær.
 12. Denne maskinen må ikke brukes utendørs ved lave temperaturer i Finland.
 13. Ikke bruk støvsugeren nær varmekilder (for eksempel ovner).
 14. Hvis utblåsningsluften sendes inn i rommet igjen, må det sørges for tilstrekkelig utveksling av luft i rommet. Ta hensyn til nasjonale forskrifter ved behov.
 15. Ikke blokker innsugings-/utblåsningsåpningene/kjøleventilene. Disse åpningene er der for å kjøle motoren. Blokkering må unngås, hvis ikke vil motoren skjære seg på grunn av mangel på ventilasjon.
 16. Pass alltid på at du holder balansen og har godt fotfeste.
 17. Ikke brett, rykk i eller trakk på slangen.
 18. Slå av støvsugeren umiddelbart hvis den oppfører seg unormalt (f.eks. hvis effekten er svak).
 19. **TA UT BATTERIET/BATTERIENE.** Støvsugeren skal være frakoblet når den ikke er i bruk, før utføring av service-/reparasjonsarbeid og ved bytte av tilbehør.
 20. For å holde støvsugeren i topp stand er det viktig at du rengjør og vedlikeholder den etter hver bruk.
 21. **VÆR NØYE MED VEDLIKEHOLDET.** Rengjør støvsugeren for å holde den i sikker og god stand. Følg instruksjonene for bytte av tilbehør. Hold håndtakene tørre, rene og fri for olje og smørefett.
 22. **KONTROLLER SKADDE DELER.** Før videre bruk av støvsugeren må du foreta en grundig sjekk av ev. skadde deler, som f.eks. vern eller lignende, for å fastslå om de vil fungere som de skal. Kontroller at bevegelige deler beveger seg riktig i forhold til hverandre, at bevegelige deler kan bevege seg fritt, om noen deler er brukket, om monteringen er som den skal, eller om andre forhold kan påvirke hvordan støvsugeren vil fungere. Vern eller andre skadede deler må repareres eller skiftes ut hos et autorisert servicesenter, med mindre noe annet er angitt i denne bruksanvisningen. Sørg for at defekte brytere skiftes ut hos et autorisert servicesenter. Ikke bruk støvsugeren hvis AV/PÅ-bryteren er defekt.
 23. Når brukeren skal utføre service på maskinen, skal den demonteres, rengjøres og utføres service på – så sant det lar seg gjøre – uten å utgjøre en fare for vedlikeholdspersonalet og andre.
 24. Maskinen bør få en teknisk inspeksjon hos produsenten eller en opplært person, minst en gang i året. Denne bør f.eks. bestå av inspeksjon av filtrene for å sjekke om de er skadet, om maskinen er lufttett og at styringsmekanismen virker som den skal.
 25. Når det utføres service eller reparasjon, skal alle forurensede gjenstander som ikke kan rengjøres tilfredsstillende kastes. Slike gjenstander må kastes i tette poser i henhold til alle gjeldende forskrifter for avhending av slikt avfall.
 26. **RESERVEDELER.** Ved utføring av vedlikeholdsarbeid, skal det kun brukes identiske reservedeler.
 27. **OPPBEVARING.** Støvsugeren oppbevares innendørs, når den ikke er i bruk.
 28. Våte filtre og den innvendige delen av væskebeholderen skal tørkes før oppbevaring.
 29. Vær forsiktig når du håndterer støvsugeren. Hardhendt og uforsiktig håndtering kan forårsake skader på støvsugeren.
 30. Ikke bruk bensin, tynningsmidler eller kjemiske rengjøringsmidler for å rengjøre støvsugeren innvendig eller utvendig. Dette kan forårsake sprekker og misfarging.
 31. Ikke bruk støvsugeren i områder med brennbart støv, eller i lukkede rom hvor oljebasert maling, malingstynner, bensin, møllmidler eller lignende avgir brennbar, eksplosiv eller giftig damp.
 32. Ikke bruk denne støvsugeren eller andre maskiner hvis du er under påvirkning av alkohol, narkotiske stoffer eller sterke legemidler.
 33. Alltid bruk vernebriller eller briller med sidebeskyttelse.
 34. Bruk støvmaske hvis det er mye støv der du jobber.
 35. Denne maskinen skal ikke brukes av personer med reduserte fysiske, sensoriske eller mentale evner, eller personer som mangler erfaring og kunnskap.
 36. Små barn må være under oppsyn for å sikre at de ikke leker med støvsugeren.
 37. Hånder aldri batteriet/batterieene og støvsugeren mens du er våt på hendene.
 38. Vær svært forsiktig når du bruker støvsugeren i trapper.
 39. Ikke bruk støvsugeren som en krakk eller arbeidsbenk. Den kan falle ned, noe som kan føre til personskaade.
- Bruk og vedlikehold av batteridrevne maskiner**
1. Batteriet må kun lades opp igjen med en lader spesifisert av produsenten. En lader som passer til én batteritype, kan være brannfarlig når den brukes med en annen batteritype.
 2. Bruk elektroverktøy kun med spesifikt angitte batterier. Hvis det brukes et hvilket som helst annet batteri, kan dette utgjøre en fare for helseskader og brann.
 3. Når batteriet ikke er i bruk, må du holde verktøyet unna metallgjenstander som f.eks. binders, mynter, nøkler, spiker, skruer og andre små metallgjenstander som kan skape forbindelse mellom de to polene. Hvis batteripolene kortsluttes, kan du få brannskader, eller det kan begynne å brenne.

4. Hvis batteriet utsettes for hardhendt bruk, kan det lekkе væske fra batteriet. Unngå kontakt med væsken. Hvis du kommer i kontakt med batterivæsken, må du skylle med vann. Hvis du får batterivæske i øynene, må du i tillegg oppsøke lege. Væske som kommer ut av batteriet, kan forårsake irritasjon eller forbrenninger.
5. Ikke bruk et batteri eller verktøy som er skadet eller endret på. Batterier som er skadet eller endret på kan oppføre seg upålitelig og medføre brann, eksplosjon eller fare for personskader.
6. Et batteri eller verktøy må ikke utsettes for brann eller for høy temperatur. Brann eller en temperatur over 130 °C kan forårsake eksplosjon.
7. Følg alle ladeinstruksjoner, og ikke lad batteriet eller verktøyet utenfor temperaturområdet som er angitt i instruksjonene. Feil lading eller ved temperaturer utenfor det angitte området, kan skadet batteriet og øke faren for brann.
8. Du må ikke spikre, skjære, klemme, kaste eller miste batteriet, og heller ikke slå en hard gjenstand mot batteriet. En slik oppførsel kan føre til brann, overoppheting eller eksplosjon.
9. Ikke bruk batterier som er skadet.
10. Lithium-ion-batteriene som medfølger er gjenstand for krav om spesialavfall. For kommersiell transport, f.eks av tredjeparter eller speditorer, må spesielle krav om pakking og merking følges. For varen blir sendt, må du forhøre deg med en ekspert på farlig materiale. Ta også hensyn til muligheten for mer detaljerte nasjonale bestemmelser. Bruk teip eller maskeringsteip for å skjule åpne kontakter og pakk inn batteriet på en slik måte at den ikke kan bevege seg rundt i emballasjen.
11. Når du kasserer batteriinnsetsen, må du ta den ut av verktøyet og avhende den på et sikkert sted. Følg lokale bestemmelser for avhending av batterier.

TA VARE PÅ DISSE INSTRUKSENE.

⚠ ADVARSEL: IKKE LA hensynet til hva som er "behagelig" eller det faktum at du kjenner produktet godt (etter mange gangers bruk) gjøre deg mindre oppmerksom på sikkerhetsreglene for bruken av det aktuelle produktet. Ved MISBRUK eller hvis ikke sikkerhetsreglene i denne bruksanvisningen følges, kan det oppstå alvorlig personskade.

Viktige sikkerhetsanvisninger for batteriinnsets

1. Før du begynner å bruke batteriet, må du lese alle anvisninger og forsiktighetsregler på (1) batteriladeren, (2) batteriet og (3) det produktet batteriet skal brukes i.
2. Ikke demonter eller tukle batteriet. Det kan føre til brann, overoppheting eller eksplosjon.
3. Hvis driftstiden er blitt vesentlig kortere, må du omgående slutte å bruke maskinen. Hvis ikke kan resultatet bli overoppheting, mulige forbrenninger eller til og med en eksplosjon.
4. Hvis du får elektrolytt i øynene, må du skylle dem med store mengder rennende vann og oppsøke lege med én gang. Denne typen uhell kan føre til varig blindhet.
5. Ikke kortslett batteriet:
 - (1) De kan være ekstremt varme og du kan brenne deg.
 - (2) Ikke lagre batteriet i samme beholder som andre metallgjenstander, som for eksempel spiker, mynter osv.
 - (3) Ikke la batteriet komme i kontakt med vann eller regn.
 En kortslutning av batteriet kan føre til et kraftig strømstøt, overoppvarming, mulige forbrenninger og til og med til at batteriet går i stykker.
6. Ikke oppbevar og bruk verktøyet og batteriet på steder hvor temperaturen kan komme opp i eller overskride 50 °C.
7. Ikke sett fyr på batteriet, ikke engang om det er sterkt skadet eller helt utslitt. Batteriet kan eksplodere hvis det begynner å brenne.

12. Bruk batteriene kun med produkter spesifisert av Makita. Montere batteriene i produkter som ikke er konforme kan føre til brann, overheting eller elektrolyttlekkasje.
13. Hvis verktøyet ikke skal brukes over en lengre periode, må batteriet tas ut av verktøyet.
14. Under og etter bruk kan batteriet bli varmt og før til brannskader. Vær forsiktig med håndteringen av varme batterier.
15. Ikke berører terminalen på verktøyet rett etter bruk, da den kan bli varm og forårsake brannskader.
16. Ikke la spon, støv eller jord sette seg fast i terminalene, hullene og sporene i batteriet. Det kan føre til at batteriet eller verktøyet blir overopphetet, begynner å brenne, sprekker eller ikke fungerer som det skal, og forårsake brannskader eller personskade.
17. Med mindre verktøyet støtter bruk nær en høyspent strømlinje, skal ikke batteriet brukes nær en høyspent strømlinje. Det kan føre til en funksjonsfeil eller at verktøyet eller batteriet slutter å fungere.
18. Oppbevar batteriet utilgjengelig for barn.

TA VARE PÅ DISSE INSTRUKSENE.

⚠ FORSIKTIG: Bruk kun originale Makita-batterier. Bruk av batterier som har endret seg, eller som ikke er originale Makita-batterier, kan føre til at batteriet sprekker og forårsaker brann, personskader og andre skader. Det vil også ugyldiggjøre garantien for Makita-verktøyet og -laderen.

Tips for å opprettholde maksimal batterilevetid

1. Lad batteriinnsetsen før den er helt utladet. Stopp alltid driften av verktøyet og lad batteriinnsetsen når du merker at effekten reduseres.
2. Lad aldri en batteriinnsets som er fulladet. Overopplading forkorter batteriets levetid.
3. Lad batteriet i romtemperatur ved 10 °C - 40 °C. Et varmt batteri må kjøles ned før lading.
4. Når batteriet ikke er bruk, skal det tas ut av verktøyet eller laderen.
5. Lad batteriet hvis det ikke har vært brukt på en lang stund (over seks måneder).

DELEBESKRIVELSE

- Fig.1: 1. Hovedenhet 2. Flyteventil
3. Flyteventilholder 4. Tekstfilter 5. Beholder

FUNKSJONS BESKRIVELSE

⚠FORSIKTIG: Forviss deg alltid om at apparatet er slått av og batteriinnsettene er tatt ut før du justerer apparatet eller kontrollerer funksjonaliteten.

Sette inn eller ta ut batteri

⚠FORSIKTIG: Slå alltid av apparatet før du setter inn eller tar ut batteriinnsettene.

⚠FORSIKTIG: Hold godt rundt støvsugeren og batteriinnsettene når du setter inn eller tar ut batteriinnsettene. Hvis du ikke gjør dette kan de glipe ut av hendene dine, og kan dette forårsake personskader eller skader på støvsugeren/batteriet.

⚠FORSIKTIG: Pass på at du ikke får fingrene i klem når du åpner eller lukker batteridekselet. Hvis ikke, kan det føre til personskader.

Støvsugeren har doble batteriåpninger. Med to identiske batterier i parallell kan du forlenge driftstiden for en eller to gangers bruk uten at du må stoppe og skifte batterier. Støvsugeren virker også med ett enkelt batteri, så du kan velge å bruke den enten med doble batterier eller ett enkelt batteri etter hva du trenger.

- Fig.2: 1. Venstre batterispor 2. Høyre batterispor

Med doble batterier

Sammenhengende drift med to batterier gjør det mulig å bruke den lenger og foreta grundigere rengjøring. Når det første batteriet blir tomt, vil støvsugeren veksle strømkilde automatisk, så den fortsetter med det andre batteriet.

MERK: Det venstre batterispor (sett forfra på støvsugeren) har prioritet over det høyre batterispor. Det høyre batterispor vil bare identifiseres som en strømkilde når det enten ikke er satt inn noe batteri i det venstre sporet eller batteriet i det venstre sporet er utladet.

MERK: Du kan ta ut batteriet fra det venstre batterirommet og lade det opp etter at støvsugeren har vekslet strømkilden fra det venstre batterispor til det høyre uten å stoppe bruken. For å gi prioriteten tilbake til det venstre batterispor etter at det er satt inn et oppladet batteri, starter du støvsugeren på nytt.

Med ett enkelt batteri

Det kreves bare ett batteri som en strømkilde, enten i det venstre eller i det høyre batterispor. Støvsugeren bestemmer automatisk hvilket batterispor som er tilgjengelig etter driftsforholdene.

Installasjon og demontering

For å sette inn batteriinnsett, frigjør du først låsen, og deretter åpner du batteridekselet. Så setter du i batteriinnsettene.

- Fig.3: 1. Lås 2. Batterideksel

Rett inn tungene på batteriinnsettene med sporene i batterihuset, og skyv dem inn på plass. Skyv dem helt inn til de går i lås med et lite klikk. Da må du låse batteridekselet.

- Fig.4: 1. Batteriinnsett 2. Knapp

For å ta ut batteriinnsettene, skyv dem ut av batterihuset mens du samtidig trykker på, og holder knappene foran på innsettene.

⚠FORSIKTIG: Pass på å sette batteriet helt inn. Hvis dette ikke gjøres, kan batteriet falle ut av apparatet og skade deg eller andre som oppholder seg i nærheten.

⚠FORSIKTIG: Ikke bruk makt når du setter i batteriet. Hvis batteriet ikke glir lett inn, er det fordi det ikke settes inn på riktig måte.

MERK: Når støvsugeren veksler strømkilde fra det første batteriet til det andre, kan det kan føre til en liten driftstans, som innebærer noe tap av innsuging. Vær oppmerksom på at dette ikke er noen feilfunksjon, så støvsugeren fortsetter driften straks etter pausen.

Indikere gjenværende batterikapasitet

Trykk på sjekk-knappen på batteriet for vise gjenværende batterikapasitet. Indikatorlampene lyser i et par sekunder.

- Fig.5: 1. Indikatorlamper 2. Kontrollknapp

| Indikatorlamper | | | Gjenværende batterinivå |
|-----------------|----|---------|---------------------------|
| Tent | Av | Blinker | |
| | | | 75 % til 100 % |
| | | | 50 % til 75 % |
| | | | 25 % til 50 % |
| | | | 0 % til 25 % |
| | | | Lad batteriet. |
| | | | Batteriet kan ha en feil. |
| | | | |

MERK: Det angitte nivået kan avvike noe fra den faktiske kapasiteten alt etter bruksforholdene og den omgivende temperaturen.





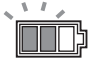
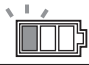
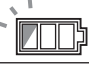

MERK: Den første (helt til venstre) indikatorlampen vil blinke når batterivernsystemet fungerer.

Batteriindikatorer på betjeningspanelet

Den gjenværende batterikapasiteten kan leses av på betjeningspanelet når som helst. Trykk på kontrollknappen, og venstre og høyre indikatorer vil vise de tilhørende batterinivåene.

► **Fig. 6:** 1. Batteriindikatorer 2. Kontrollknapp

► **Fig. 7**

| Batteriindikatorstatus | | | Gjenværende batterikapasitet |
|--|--|---|------------------------------|
|  På |  Av |  Blinker | |
|  | | | 50 % til 100 % |
|  | | | 20 % til 50 % |
|  | | | 0 % til 20 % |
|  | | | Lad batteriet |
|  | | | Batteriet er ikke satt inn |

MERK: Batteriindikatorerne vil også bli aktivert når støvsugeren starter eller når strømkilden skiftes fra den ene til den andre.

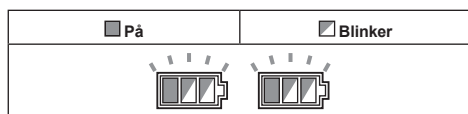
Vernesystem for apparat/batteri

Dette apparatet er utstyrt med et vernesystem for apparatet/batteriet. Dette systemet slår automatisk av strømmen til motoren for å forlenge apparatets og batteriets levetid. Apparatet stopper automatisk under bruk hvis apparatet eller batteriet utsettes for en av følgende tilstander:

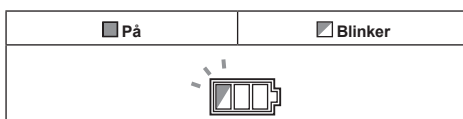
Overlastsikring

Når apparatet/batteriet brukes på en måte som gjør at det bruker unormalt mye strøm, vil apparatet stanse automatisk. I denne situasjonen må du skru av apparatet og stanse bruken som forårsaket apparatet å bli overopphetet. Slå deretter apparatet på for å starte det igjen.

Overopphetingsvern



Når apparatet er overopphetet stanser det automatisk, og både venstre og høyre batteriindikatorer blinker. I denne situasjonen må du la apparatet kjøle seg ned før du slår på apparatet igjen.



Når batteriet blir overopphetet, stopper apparatet automatisk og en av lampene for overoppheting av batteri blinker. I denne situasjonen må du la batteriet kjøle seg ned før du slår på apparatet igjen.

Overutladingsvern

Når batterikapasiteten blir lav, stanser apparatet automatisk. Hvis apparatet ikke går selv om bryteren aktiveres, må du ta batteriene ut av apparatet og lade dem.

Vern mot andre årsaker

Vernesystemet er også laget for beskyttelse av andre systemer som kan skade apparatet og gjøre at apparatet stanser automatisk. Ta alle de følgende forholdsreglene for å fjerne årsakene til at apparatet har stanset midlertidig mens det er i drift.

1. Slå apparatet av, og så på for å starte det igjen.
2. Lad opp batteriet/ene eller skift det/dem ut med oppladde batteri(er).
3. La apparatet og batteriet/ene kjøle seg ned.

Hvis det ikke blir noen bedring ved å gjenopprette vernesystemet, ta kontakt med det lokale Makita servicesenteret.

Bryterfunksjon

Skru på støvsugeren

1. Skru standby-bryteren til "I" (PÅ)-posisjon for å gjøre støvsugeren klar i standby-modus.
2. Trykk på strømknappen. For å skru tilbake til ventemodus, trykker du på strømknappen igjen.

Skru av støvsugeren

Utfør ett av de følgende trinnene.

- Trykk på strømknappen for å sette støvsugeren tilbake i standbymodus og skru så standbybryteren i "O" (AV)-posisjon.
- Skru ventebryteren til "O" (AV)-posisjon.

Justering av sugekraften

Sugeeffekten kan justeres etter behov.

- Drei justeringsknotten for sugekraft til venstre for å for å redusere innsugingskraften.
- Drei justeringsknotten for sugekraft til høyre for å øke innsugingskraften.

► **Fig. 8:** 1. Ventebryter 2. Av/på-knapp
3. Justeringsknott for sugekraft

Automatisk sugestopp under våt oppsuging

⚠ADVARSEL: Ikke bruk støvsugeren lenge når flyteventilen er aktiv. Hvis du gjør det, kan det oppstå overoppheting og skader på støvsugeren.

⚠ADVARSEL: Ikke bruk støvsugeren på skum eller såpeholdig væske. Det kan medføre til at det kommer skum ut av luftåpningen før flyteventilen blir aktivert. Fortsatt bruk under slike forhold kan forårsake elektrisk støt, og støvsugeren kan bli ødelagt.

Funksjonen automatisk sugestopp virker bare når støvsugeren brukes med flyteventilen og flyteventilholderen. Støvsugeren er utstyrt med en flytemekanisme som hindrer at det kommer vann inn i motoren når vannmengden som suges opp overskrider et bestemt nivå. Når beholderen er full og støvsugeren ikke klarer å suge opp mer vann, slår du av støvsugeren og tømmer beholderen.

Låse opp og igjen hjulene

Bakhjulene kan låses med stoppere for slik at støvsugeren står stille.

Senk stopperspaken for hånd for å låse hjulet og hev den opp for å frigi hjulet.

► **Fig.9:** 1. Hjul 2. Stopperspak 3. Stillingen FRI 4. Stillingen LÅST

MERK: Pass på at hjulet ikke er låst når du flytter støvsugeren. Hvis du flytter støvsugeren mens hjulet i låst stilling, kan hjulet bli skadet.

Bærehåndtak

⚠FORSIKTIG: Løft og bær apparatet med forsiktighet. Hvis du ikke gjør det, kan det føre til personskaade eller skader åpå apparatet.

Når du løfter støvsugeren, skal den alltid bæres i håndtaket på hovedenheten. Håndtaket kan trekkes inn i hovedenheten når det ikke er i bruk.

► **Fig.10**

MONTERING

⚠FORSIKTIG: Du må alltid forsikre deg om at apparatet er slått av og batteriinnsettene er tatt ut før du utfører noe arbeid på apparatet.

⚠FORSIKTIG: Bruk alltid støvmaske under montering eller vedlikehold.

Installasjon av pulverfilteret (HEPA) og forfilteret (for tørt støv)

Valgfritt tilbehør

⚠FORSIKTIG: Pulverfilteret kan ikke brukes for oppsuging av væske eller vått støv. Hvis du gjør det, kan pulverfilteret revne.

Slik bruker du pulverfilteret:

1. Løse skruene som holder flyteventilen og så skruer du ut skruer, flyteventil og ventil fra hovedenheten.

► **Fig.11:** 1. Skruer 2. Flyteventilholder 3. Flyteventil 4. Hovedenhet

2. Ta tekstilfilteret ut av beholderen.

► **Fig.12:** 1. Tekstilfilter 2. Beholder

3. Plasser forfilteret inn i beholderen og rett inn merkingen for monteringsposisjonen på forfilteret og beholderen.

4. Monter demperen på pulverfilteret, og plasser dem deretter i forfilteret slik at merkene for monteringsposisjon er innrettet slik at merkene på pulverfilteret og forfilteret er rettet inn med hverandre.

5. Monter hovedenheten over beholderen og sikre dem med låsehengslene.

► **Fig.13:** 1. Hovedenhet 2. Pulverfilter (HEPA)

3. Demper 4. Forfilter 5. Beholder 6. Merke for monteringsposisjon

OBS: Pass på at både forfilteret og demperen er satt i før du tar i bruk pulverfilteret. Pulverfilteret kan ikke brukes uten forfilter og demper.

Installere vannfilteret

Valgfritt tilbehør

OBS: Sug aldri opp vann eller vått støv uten flyteventilen og tekstilfilteret eller vannfilteret montert.

OBS: Når du skal suge opp vått støv, må du passe på at flyteventilholderen og flyteventilen er montert på støvsugeren.

OBS: Plasser vannfilteret i beholderen, og pass på at krokene på vannfilteret fester seg riktig (det skal ikke være glippe mellom vannfilteret og beholderen).

Vannfilteret er bedre egnet enn tekstilfilteret til å suge opp kun vann eller vått støv.

Når du installerer vannfilteret, må du innrette merket for monteringsposisjon med merket på beholderen.

► **Fig.14:** 1. Vannfilter 2. Beholder 3. Merke for monteringsposisjon

MERK: Det anbefales å bruke vannfilteret når du skal suge opp store mengder vann ofte. Bruker du tekstilfilter, vil sugeevnen bli nedsatt.

Installasjon av papirposen

Valgfritt tilbehør

⚠ADVARSEL: Hvis støvsugeren skal brukes med papirpose, må du sørge for at tekstilfilteret eller forfilteret brukes sammen med den. Hvis du ikke bruker tekstilfilteret/forfilteret sammen, kan det oppstå uvanlig støy og brannfarlig varmeutvikling.

OBS: Aldri sug opp vann eller andre væsker eller vått støv når du bruker en papirpose. Hvis du gjør det, kan papirposen revne.

OBS: Når du bruker tekstilfilteret, må du sørge for at flyteventilholderen og flyteventilen er festet på hovedenheten.

OBS: Når du bruker forfilteret, må du sørge for at pulverfilteret og demperen brukes sammen.

1. Brett ut en papirpose.

2. Innrett åpningen på papirposen med støvinntaket på beholderen.

3. Installer papirposen på beholderen med kartongåpningen heftet på holderen for papirposen.

► **Fig.15:** 1. Papirpose 2. Kartongåpning 3. Holder for papirpose 4. Støvinntak

Installering av polyetylenpose

Med en polyetylenpose installert i beholderen kan du enkelt tømme beholderen uten å skitne deg til på hendene.

Legg en polyetylenpose over beholderen og før en side av den øverste kanten av posen den åpne enden mellom holdeplaten og fremveggen på beholderen.

► **Fig.16:** 1. Holderplate 2. Frontveggen på beholderen 3. Polyetylenpose

Bre de andre toppkantene til posen utover over toppkanten på beholderen. Plasser tekstfilteret eller forfilteret over polyetylenposen for å feste åpningen til posen på en sikker måte.

► **Fig.17:** 1. Tekstfilter/forfilter

MERK: Du kan bruke polyetylenposene som er tilgjengelige på markedet. Vi anbefaler at du velger en posetykkelse på minst 0,04 mm.

MERK: For store støvmengder vil gjøre at posen lett revner, og du bør derfor skifte posen når den er halvfull.

Tømme beholderen med polyetylenposen

⚠ ADVARSEL: Forviss deg alltid om at støvsugeren er slått av og batteriinnsettene er tatt ut før du tømmer beholderen. Hvis ikke, vil det være fare for elektrisk støt og alvorlige personskader.

OBS: Ikke utsett flyteventilholderen og beholderen for harde støt eller dunk. Det kan føre til at delene blir misformet og skadet.

OBS: Avhengig av støvmengden i beholderen, kan det være nødvendig å tømme beholderen minst én gang per dag. Hvis det går for lenge mellom hver gang beholderen tømmes, vil sugekraften bli redusert og motoren kan bli ødelagt.

OBS: Ikke grip tak i kroken eller hengslene når du tømmer beholderen. Ved å ta tak i kroken eller hengslene kan de brette.

Frigi låsehengslene og løft opp hovedenheten av beholderen.

Rist av støvet fra tekstfilteret eller forfilteret før du løfter filteret ut av beholderen.

Så tar du polyetylenposen ut av beholderen, og lukker åpningen på posen for hånd.

► **Fig.18:** 1. Polyetylenpose 2. Beholder

MERK: Ta polyetylenposen ut av beholderen, og vær forsiktig slik at du unngår at den skrapes opp eller revet opp av kantene inne i beholderen.

MERK: Tøm polyetylenposen før den er helt full. For mye støv i beholderen kan føre til at posen revner.

Installere multikroken

Bruk multikroken for å oppbevare en slange, tilbehør eller ekstrautstyr som ikke er i bruk på ett sted der du kan raskt få tak i de du trenger.

► **Fig.19**

Plasser multikroken over foten bak på støvsugeren, og sett skinnene på multikroken langs skinnene på foten.

► **Fig.20:** 1. Multikrok 2. Fot

Montere MAKPAC-adapter

Valgfritt tilbehør

Tilkoblingsbare MAKPAC oppbevaringsbokser som kan stables kan settes på toppen av støvsugeren med en adapter, som er ekstrautstyr. Boksene er tilgjengelig i mange størrelser og utførelser som dekker dine behov.

Plasser kroken på foten over håndtaket til støvsugeren med monteringsflaten vendt oppover når håndtaket er foldet i lukket posisjon.

► **Fig.21:** 1. Krok på fot 2. Monteringsflate 3. Håndtak

Feste MAKPAC-adapteren på kroken på foten og sikre dem sammen med de fire medleverte skruene.

► **Fig.22:** 1. MAKPAC-adapter 2. Krok på fot 3. Skruer

Løft skyvestangen opp og stram knotten for å forberede påsetningen av MAKPAC-boksene på støvsugeren.

► **Fig.23:** 1. Skyvestang 2. Knott

MERK: For detaljer om installasjon av MAKPAC-bokser, se i bruksanvisningen som er levert med MAKPAC-adapteren og boksene.

Installere slange

OBS: Aldri trakk på eller bruk makt for å bøye slangen. Ikke trekk i slangen for å flytte støvsugeren. Hvis du trækker på, drar i eller bøyer slangen, kan den knekke eller bli misformet.

OBS: Hvis du skal sug opp store mengder avfall av typen sponfliser, betongstøv eller lignende, bruker du slangen som har en indre diameter på 38 mm (valgfritt tilbehør). Hvis du bruker slangen som har en indre diameter på 28 mm (valgfritt tilbehør), kan slangen bli tilstoppet og skadet.

Koble til støvsuger

Sett slangen inn i støvinntaket (slangeinngang) på støvsugeren, og dreii den med klokken til den går i lås.

► **Fig.24:** 1. Slange 2. Støvinntak (slangeinngang)

Tilkoblinger til arbeidsverktøyet ditt (landsspesifikk)

Ved å koble støvsugeren til alle tilgjengelige verktøy som er kompatible med støvsugeren, virker den som støvavsug for de elektriske verktøyene dine.

Velg ett av ett av munnstykkene eller tilkoblingene (ekstrautstyr) som egner seg best til din verktøymodell. Plasser munnstykket eller tilkoblingen, etter behov, mellom forenden på støvsugerslangen og støvuttrekksporten på verktøyet.

► **Fig.25:** 1. Munnstykker eller koblinger foran 2. Støvsugerslange 3. Elektrisk verktøy 4. Støvsuger

Sette på eller ta av støvsugertilbehøret

⚠️ FORSIKTIG: Etter at du har satt på et tilbehør må du kontrollere at det sitter godt fast. Hvis tilbehøret ikke er satt riktig på, kan det falle av og føre til personskade.

Når du bruker tilbehør uten låsefunksjon

Valgfritt tilbehør

Sett tilbehøret inn i innsugingsinntaket på støvsugeren vek så skyve og håndskru det på plass.

Drei tilbehøret for hånd av sugeinntaket etter bruk.

► **Fig.26**

Tilbehør med låsefunksjon

Valgfritt tilbehør

OBS: Når du setter på tilbehøret med låsefunksjon, må du passe på at du innretter utløserknappen med kroken på tilbehøret. Hvis de ikke er innrettet, vil tilbehøret ikke låses, og det kan falle av støvsugeren.

Sett et tilbehør inn i sugeinntaket på støvsugeren ved å skyve det inn til det høres et klikk.

For å ta av tilbehøret drar du i det mens du skyver utløserknappen.

► **Fig.27:** 1. Innsug med låsefunksjon 2. Utløserknapp 3. Tilbehør med låsefunksjon

MERK: Et tilbehør med låsefunksjon må bare installeres i innsuget med låsefunksjonen.

► **Fig.28:** 1. Tilbehør med låsefunksjon 2. Innsug med låsefunksjon 3. Innsug uten låsefunksjon

Justeringslengder av type forlengelsesrøret

Valgfritt tilbehør

Forlengelsesrøret kan kombineres med kortere og lengre lengder. Dette gjør det mulig å rengjøre steder der det er vanskelig å komme til.

Trekk inn og ut skyverøret for å endre lengden på stangen mens du trykker på og holder glideknappen. Slipp glideknappen for å låse skyverøret i ønsket posisjon.

► **Fig.29:** 1. Skyverør 2. Glideknapp

VEDLIKEHOLD

⚠️ FORSIKTIG: Forviss deg alltid om at apparatet er slått av og at batteriinnsetningen er tatt ut før du forsøker å foreta en inspeksjon eller noe vedlikeholdsarbeid.

OBS: Aldri bruk gasolin, bensin, tynner alkohol eller lignende. Det kan føre til misfarging, deformering eller sprekkdannelse.

For å opprettholde produktets SIKKERHET og PÅLITELIGHET, må reparasjoner, vedlikehold og justeringer utføres av autoriserte Makita servicesentre eller fabrikkservicesentre, og det må alltid brukes reservedeler fra Makita.

Oppbevare tilbehør

Tilbehør og utstyr som ikke brukes, som dyser og børster kan hektes opp og oppbevares på multikroken bak på støvsugeren.

► **Fig.30:** 1. Multikrok 2. Tilbehør og utstyr som ikke er i bruk

Rørene (med ekstra stopper installert) kan plasseres i rørholderen når det ikke er lenge til støvsugeren skal brukes neste gang.

► **Fig.31:** 1. Stopper (ekstrautstyr) 2. Rørholder

En slange kan surres rundt i store løkker rundt huset eller håndtaket på støvsugeren. Koble sammen de to endene for å lage løkker og hekt løkkene på håndtaket som er foldet ut. Alternativt, behold enden koblet til slangeinntaket og heng løkkene på multikroken med den løse enden oppbundet.

► **Fig.32**

► **Fig.33**

Rengjøre tekstilfilteret

Rengjør tekstilfilteret med jevne mellomrom fordi tette tekstilfiltre kan føre til dårlig innsug.

Tørk og rist av støvet av tekstilfilteret for hånd fra tid til annen.

► **Fig.34:** 1. Tekstilfilter

Rengjøre pulverfilteret (HEPA) og forfilteret

Valgfritt tilbehør

Rengjør pulverfilteret, forfilteret og demperen med jevne mellomrom siden tette filtre og demperen kan føre til dårlig innsug.

Tørk og rist av filterne og demperen for hånd.

Vask av og til pulverfilteret med vann, skyl det, og la det tørke helt på et skyggefullt sted. Filtrene skal aldri vaskes i vaskemaskin.

► **Fig.35**

MERK: Ikke bruk harde gjenstander som for eksempel børster eller skraper på pulverfilteret, forfilteret eller demperen.

MERK: Filtrene blir slitte etter hvert. Det anbefales å ha noen i reserve.

VALGFRITT TILBEHØR

⚠️FORSIKTIG: Det anbefales at du bruker dette tilbehøret eller verktøyet sammen med den Makita-maskinen som er spesifisert i denne håndboken. Bruk av annet tilbehør eller verktøy kan forårsake personskader. Tilbehør og verktøy må kun brukes til det formålet det er beregnet på.

Ta kontakt med ditt lokale Makita-servicesenter hvis du trenger mer informasjon om dette tilbehøret.

- Slange
- Munnstykker (22, 24, 38)
- Rett rør
- Ekspansjonsstav
- Hjørnemunnstykke
- Rund børste
- Pulverfilter HEPA (for tørt støv)
- Demper
- Forfilter
- Vannfilter
- Tekstilfilter
- Munnstykkeenhet
- Vinkelrør
- Polyetylenpose
- Papirpose
- MAKPAC-adapter
- Makita originalbatteri og lader



MERK: Enkelte elementer i listen kan være inkludert som standardtilbehør i verktøypakken. Elementene kan variere fra land til land.

VAROITUS

- Tämä laite ei ole tarkoitettu sellaisten henkilöiden (lapset mukaan lukien) käytettäväksi, joiden fyysiset, sensoriset tai henkiset kyvyt tai kokemuksen tai tiedon puute estävät heitä käyttämästä laitetta turvallisesti.
- Lapsia tulee valvoa ja varmistaa, etteivät he pääse leikkimään imurilla.
- Tarkista akun tyyppi luvusta "TEKNISET TIEDOT".
- Katso akun irrotus- tai poisto-ohjeet osiosta "Akun asentaminen tai irrottaminen".
- Kun akkupaketti on hävitettävä, poista se työkalusta ja hävitä se turvallisesti. Hävitä akku paikallisten määräysten mukaisesti.
- Jos työkalua ei käytetä pitkään aikaan, akku on poistettava työkalusta.
- Älä oikosulje akkupakettia.
- Tarkista käyttäjän huoltotoimien aikana noudatettavat varoimet luvusta "KUNNOSSAPITO".

TEKNISET TIEDOT

| Malli: | VC001GL | VC003GL |
|--|---|--------------------------|
| Vakiosuodatintyyppi | Kangassuodatin (kuivalle ja määrälle materiaalille) | |
| Enimmäisilmamäärä (BL4040, ø32 mm x 1,7 m:n letku) | 2,7 m ³ /min | |
| Imu (BL4040, ø32 mm x 1,7 m:n letku) | 23 kPa | |
| Talteenotettava tilavuus | Pöly | 8 l |
| | Vesi | 6 l |
| Mitat (P x L x K) | 366 mm x 334 mm x 425 mm | 366 mm x 334 mm x 475 mm |
| Nimellisjännite | DC 36 V – 40 V maks. | |
| Nettopaino | 8,1–11,2 kg | 8,4–11,5 kg |
| Suojausluokka | IPX4 | |

- Jatkuvasta tutkimus- ja kehitystyöstämme johtuen esitetyt tekniset tiedot saattavat muuttua ilman erillistä ilmoitusta.
- Tekniset tiedot ja akkupaketti voivat vaihdella maittain.
- Paino sisältää akkupaketit, mutta ei varusteita. Taulukossa on ilmoitettu kevyin ja painavin laite- ja akkupakettiyhdistelmän paino.
- Märän materiaalin poistamiseen tarvitaan uimuri ja vesi-tai kangassuodatin.

Käytettävä akkupaketti ja laturi

| | |
|-------------|---|
| Akkupaketti | BL4020 / BL4025 / BL4040* / BL4050F* / BL4080F* *: Suositeltu akku |
| Laturi | DC40RA / DC40RB / DC40RC |

- Tiettyjä yläpuolella kuvattuja akkuja ja latureita ei ehkä ole saatavana asuinalueestasi johtuen.

VAROITUS: Käytä vain edellä eriteltyjä akkupaketteja ja latureita. Muiden akkupakettien ja laturien käyttäminen voi aiheuttaa loukkaantumisen ja/tai tulipalon.

Symbolit

Laitteessa on mahdollisesti käytetty seuraavia symboleja. Opettele niiden merkitys ennen käyttöä.



Lue käyttöohje.



Noudata erityistä varovaisuutta ja kiinnitä huomiota.



Varoitus! Imuri voi sisältää haitallista pölyä.



Älä seiso imurin päällä.



Pölyluokka L (kevyt). Imureilla voi imuroida L-luokan pölyä. Noudata paikallisia pölyä koskevia työsuojelumääräyksiä.



Koskee vain EU-maita
Käytetyillä sähkö- ja elektroniikkalaitteilla, paristoilla ja akuilla voi olla negatiivisia ympäristö- ja terveysvaikutuksia niissä käytettyjen haitallisten osien takia.
Älä hävitä sähkö- ja elektroniikkalaitteita tai akkuja kolitalousjätteen mukana!
Vanhoja sähkö- ja elektroniikkalaitteita, paristoja ja akkuja koskevan EU-direktiivin ja sen perusteella laadittujen kansallisten lakien mukaan käytetyt sähkö- ja elektroniikkalaitteet, paristot ja akut on kierrätettävä toimittamalla ne erilliseen, ympäristönsuojelusäädösten mukaisesti toimivaan kierrätyspisteeseen.
Tämä on ilmaistu laitteessa olevalla yliviedyn roska-astian symbolilla.

Käyttötarkoitus

Laitte on tarkoitettu sekä kuivan että märän pölymateriaalin imuroimiseen. Laitte sopii kaupalliseen käyttöön esimerkiksi hotelleissa, kouluissa, sairaaloissa, tehtaissa, myymälöissä, toimistoissa tai vuokraamoissa.

Melutaso

Tyyppillinen A-painotettu melutaso määräytyy standardin EN60335-2-69 mukaan:

Malli VC001GL

Äänenpainetaso (L_{pA}): 70 dB (A) tai vähemmän
Virhemarginaali (K): 2,5 dB (A)

Malli VC003GL

Äänenpainetaso (L_{pA}): 70 dB (A) tai vähemmän
Virhemarginaali (K): 2,5 dB (A)

Työskentelyn aikana melutaso voi ylittää 80 dB (A).

HUOMAA: Ilmoitetut melutasoarvot on mitattu standarditestausten mukaisesti ja niiden avulla voidaan vertailla työkaluja keskenään.

HUOMAA: Ilmoitettuja melutasoarvoja voidaan käyttää myös altistumisen alustavaan arviointiin.

VAROITUS: Käytä kuulosuojaimia.

VAROITUS: Sähkötyökalun käytön aikana mitattu melutasoarvo voi poiketa ilmoitetuista arvoista laitteen käyttötavan ja erityisesti käsiteltävän työkalupaleen mukaan.

VAROITUS: Selvitä käyttäjän suojaamiseksi tarvittavat varoimet todellisissa käyttöolosuhteissa tapahtuvan arvioidun altistumisen mukaisesti (ottaen huomioon käyttöjako kokonaisuudessaan, myös jaksot, joiden aikana laite on sammutettuna tai käy tyhjäkäynnillä).

Täriä

Kokonaistärinä (kolmen akselin vektorien summa) määräytyy standardin EN60335-2-69 mukaan:

Malli VC001GL

Täriänpäästö ($a_{h,m}$): 2,5 m/s² tai alhaisempi
Virhemarginaali (K): 1,5 m/s²

Malli VC003GL

Täriänpäästö ($a_{h,m}$): 2,5 m/s² tai alhaisempi
Virhemarginaali (K): 1,5 m/s²

HUOMAA: Ilmoitetut kokonaistärinäarvot on mitattu standarditestausten mukaisesti ja niiden avulla voidaan vertailla työkaluja keskenään.

HUOMAA: Ilmoitettuja kokonaistärinäarvoja voidaan käyttää myös altistumisen alustavaan arviointiin.

VAROITUS: Sähkötyökalun käytön aikana mitattu todellinen täriänpäästöarvo voi poiketa ilmoitetuista arvoista laitteen käyttötavan ja erityisesti käsiteltävän työkalupaleen mukaan.

VAROITUS: Selvitä käyttäjän suojaamiseksi tarvittavat varoimet todellisissa käyttöolosuhteissa tapahtuvan arvioidun altistumisen mukaisesti (ottaen huomioon käyttöjako kokonaisuudessaan, myös jaksot, joiden aikana laite on sammutettuna tai käy tyhjäkäynnillä).

EY-vaatimusten mukaisuusvakuutus

Koskee vain Euroopan maita

EY-vaatimusten mukaisuusvakuutus on liitetty tähän käyttöoppaaseen.

TURVAVAROITUKSET

Akkukäyttöisen pölynimurin turvaohjeet

VAROITUS: LUE HUOLELLISESTI kaikki turvavaroitukset ja käyttöohjeet ENNEN KÄYTTÖÄ. Jos varoitusten ja ohjeiden noudattaminen laiminlyötiin, seurauksena voi olla sähköiskku, tulipalo ja/tai vakava vammautuminen.

1. Varmista, ennen käyttöä, että tämän imurin käyttäjillä on riittävä käyttökoulutus.
2. Laitteen käyttäjille on annettava kaikki tarvittavat tiedot, opastus ja koulutus laitteen käytöstä ja materiaaleista, joille se on tarkoitettu, sekä turvallisista menetelmistä laitteeseen imettyjen materiaalien poistamiseen ja hävittämiseen.
3. Jos laitteesta vuotaa vaahtoa/nestettä, sammuta laite heti.
4. Puhdista vesimääränrajoitin säännöllisesti ja tutki se mahdollisten vaurioiden varalta.
5. Varmista aina ennen käyttöä, että suodattimet on asennettu oikein. Älä käytä imuria ilman suodattimia. Vaihda vaurioitunut suodatin välittömästi uuteen. Suosittelemme hankkimaan varasuodattimia, koska suodattimet ovat kulutus tuotteita.
6. ESTÄ TAHATON KÄYNNISTYMINEN. Varmista, että kytkin on asennossa OFF akun (akkujen) asennuksen aikana.
7. Älä imuroi palavia aineita, ilotulitteita, palavia savukkeita, kuumaa tuhkaa, kuumia metallilastuja tai teräviä esineitä, kuten partateriä, neuloja, lasinsirpaleita tms.

8. **ÄLÄ KOSKAAN KÄYTÄ IMURIA, JOS LÄHELLÄ ON BENSIINIÄ, KAASUA, MAALIA, LIIMAA TAI MUITA RÄJÄHDYSALTTIITA AINEITA.** Kytkimestä lähtee kipinä, kun se kytketään päälle tai pois päältä. Myös moottorin kommutaattori kipinöi käytön aikana. Seurauksena voi olla vaarallinen räjähdys.
 9. Älä koskaan imuroi myrkyllisiä, karsinogeenisiä, syttyviä tai muuten haitallisia aineita, kuten asbestia, arsenikkia, bariumia, berylliumia, lyijyä, hyönteismyrkkyjä tai muita terveydelle vaarallisia aineita.
 10. Aseta imuri aina tasaiselle vaakapinnalle, jotta se ei pääse kaatumaan tai liikkumaan vahingossa.
 11. Älä koskaan käytä imuria ulkona sateella.
 12. Suomessa tätä konetta ei pidä käyttää ulkona alhaisissa lämpötiloissa.
 13. Älä käytä imuria lämmönlähteiden (uunin tms.) läheisyydessä.
 14. Jos poistoilma palautuu huonetilaan, on varmistettava, että huonetilan ilmanvaihto on riittävän tehokas. Katso tarvittaessa lisätietoja kansallisista säädöksistä.
 15. Älä tuki imupäätä/puhalluspäätä/jäähdytysaukkoja. Moottori jäähdytetään näiden aukkojen kautta. Ne tulee pitää avoimina, sillä muutoin moottori palaa kiinni puutteellisen ilmanvaihdon takia.
 16. Seiso tukevassa asennossa ja säilytä tasapainosi.
 17. Älä taita tai kisko letkua äläkä astu sen päälle.
 18. Pysäytä imuri heti, jos se ei toimi täydellä teholla tai toimii muuten epänormaalisti.
 19. **POISTA AKKU (AKUT).** Kun imuri ei ole käytössä ennen imurin huoltoa tai sen lisävarusteiden vaihtoa.
 20. Puhdista ja huolla imuri aina heti käytön jälkeen, jotta se pysyy hyvässä käyttökunnossa.
 21. **HUOLLA IMURIA SÄÄNNÖLISESTI.** Pidä imuri puhtaana, jotta sen suorituskyky ja turvallisuus säilyvät. Noudata lisävarusteiden vaihtamista koskevia ohjeita. Pidä kahvat kuivina ja puhtaina öljystä ja rasvasta.
 22. **TARKISTA, ONKO IMURISSA VAURIOITA.** Ennen kuin imurin käyttöä jatketaan, on syytä varmistaa, että suojukset tai muut vaurioituneet osat toimivat tarkoituksensa mukaisella tavalla oikein. Varmista, että liikkuvat osat ovat oikeissa asennoissa ja pääsevät liikkumaan esteettä. Tarkasta myös osien eheys, kiinnitykset sekä muut toimintaan mahdollisesti vaikuttavat seikat. Suojus tai muu vaurioitunut osa tulee viedä valtuutettuun huoltoilikeeseen korjattavaksi tai vaihdettavaksi, jollei tässä käyttöoppaassa muuta mainita. Vaihdata epäkuntoiset kytkimet valtuutetussa huoltoliikkeessä. Älä käytä imuria, jos sitä ei voi kytkeä päälle tai pois päältä virtakytkimellä.
 23. Käyttäjät voivat konetta huoltaessaan purkaa, puhdista ja huoltaa sitä siinä laajuudessa kuin se on käytännössä kohtuullisesti mahdollista niin, ettei näistä toimista aiheudu vaara huolto-toimien tekijälle ja sivullisille.
 24. Laite tulisi tarkistuttaa vähintään vuosittain valmistajalla tai koulutuksen saaneella henkilöllä niin, että esimerkiksi laitteen suodattimien vaurioaste, laitteen ilmatiiviyys ja ohjausmekanismin oikea toiminto tarkistetaan.
 25. Jos likaantuneita osia ei saada puhdistettua tyydyttävästi laitetta huollettaessa tai korjattaessa, tällaiset osat on hävitettävä tiiviissä pusseissa kyseisen jätteen hävittämisestä annettujen säädösten mukaisesti.
 26. **VARAOSAT.** Käytä huoltojen yhteydessä ainoastaan alkuperäisiä osia vastaavia varaosia.
 27. **VARASTOI IMURIA, KUN SITÄ EI KÄYTETÄ.** Säilytä imuria sisätiloissa, kun sitä ei käytetä.
 28. Märät suodattimet ja nestesäiliön sisäosat on kuivattava ennen varastointia.
 29. Käsittele imuria varoen. Kovakourainen käsittely voi rikkoa vahvatekoisimmin imurin.
 30. Älä käytä imurin ulko- tai sisäpintojen puhdistamiseen bensiiniä, ohenteita tai puhdistusaineita. Ne voivat aiheuttaa halkeamia tai värjäytymiä.
 31. Älä käytä imuria suljetuissa tiloissa, jossa säilytetään palavia, räjähtäviä tai myrkyllisiä höyryjä tuottavia aineita, kuten öljypohjaisia maaleja, maaliohenteita, bensiiniä ja tiettyjä koineosaineita tms. Vältä myös tiloja, joissa on tulenarkaa pölyä.
 32. Älä käytä tätä laitetta tai muita laitteita lääkkeiden tai alkoholin vaikutuksen alaisena.
 33. Käytä aina sivusuojilla varustettuja suojalaseja.
 34. Irrota kone pistorasiasta ennen terän vaihtamista, huoltotoimia ja kun sitä ei käytetä.
 35. Tämä laite ei ole tarkoitettu sellaisten henkilöiden (lapset mukaan lukien) käytettäväksi, joiden fyysiset, sensoriset tai henkiset kyvyt tai kokemukset tai tiedon puute estävät heitä käyttämästä laitetta turvallisesti.
 36. Lapsia tulee valvoa ja varmistaa, etteivät he pääse leikkimään imurilla.
 37. Älä koskaan käsittele akkua (akkuja) ja imuria märin käsin.
 38. Ole erityisen varovainen portaita siivotessasi.
 39. Älä käytä imuria istuimena tai työtasona. Laite voi pudota ja aiheuttaa vammoja.
- Akkukäyttöisen työkalun käyttö ja hoito**
1. Lataa akkua vain valmistajan määräämällä laturilla. Tietyille akkupaketeille sopiva laturi voi aiheuttaa tulipalovaaran, jos sitä käytetään muuntyyppisen akkupaketin yhteydessä.
 2. Käytä sähkötyökaluja vain määritysten mukaisten akkujen kanssa. Muuntyyppisten akkujen käyttäminen voi aiheuttaa loukkaantumisen tai tulipalovaaran.
 3. Kun akku ei ole käytössä, säilytä se erillään metalliesineistä, kuten paperiliittimistä, kolikoista, avaimista, nauloista, ruuveista ja muista pienistä metalliesineistä, jotka voivat yhdistää akun navat. Akun napojen oikosulkeminen voi aiheuttaa palovamman tai tulipalon.
 4. Akusta voi vuotaa nestettä, jos sitä käsitellään väärin. Vältä kosketusta. Jos nestettä pääsee iholle vahingossa, huuhtelee iho vedellä. Jos nestettä pääsee silmiin, hakeudu lääkärin hoitoon. Ulos purkautunut akkuneste voi ärsyttää ihoa tai aiheuttaa palovammoja.

5. Älä käytä viallista tai muunneltua akkua tai työkalua. Vialliset tai muunnellut akut voivat toimia odottamattomasti aiheuttamalla tulipalo-, räjähdys- tai tapaturmavaaran.
6. Älä altista akkua tai työkalua tulelle tai äärimaisille lämpötiloille. Altistus tulelle tai yli 130 °C lämpötiloille voi aiheuttaa räjähdyksen.
7. Noudata kaikkia latausohjeita, äläkä lataa akkua tai työkalua ohjeissa määritettyjen lämpötilarajojen ulkopuolella. Väärin tai ohjeissa määritettyjen lämpötilarajojen ulkopuolella suoritettu lataus voi aiheuttaa akkuvaurion ja kasvattaa tapaturmavaaraa.
10. Sisältyviä litium-ioni-akkuja koskevat vaarallisten aineiden lainsäädännön vaatimukset. Esimerkiksi kolmansien osapuolten huolintaliikkeiden tulee kaupallisissa kuljetuksissa noudattaa pakkaamista ja merkintöjä koskevia erityisvaatimuksia. Lähettävän tuotteen valmistelu edellyttää vaarallisten aineiden asiantuntijan neuvontaa. Huomioi myös mahdollisesti yksityiskohtaisemmat kansalliset määräykset. Akun avoimet liittimet tulee suojata teipillä tai suojuksella ja pakkaaminen tulee tehdä niin, ettei akku voi liikkua pakkauksessa.

SÄILYTÄ NÄMÄ OHJEET.

VAROITUS: ÄLÄ anna työkalun helppokäyttöisyyden (toistuvan käytön aikaansaama) johtaa sinua väärään turvallisuuden tunteeseen niin, että laiminlyöt työkalun turvaohjeiden noudattamisen. VÄÄRINKÄYTTÖ tai tässä käyttöohjeessa ilmoitettujen turvamääräysten laiminlyönti voi aiheuttaa vakavia henkilövahinkoja.

Akkupakettia koskevia tärkeitä turvaohjeita

1. Ennen akun käyttöönottoa tutustu kaikkiin laturissa (1), akussa (2) ja akkukäyttöisessä tuotteessa (3) oleviin varoitusteksteihin.
2. Älä pura tai peukalo imuria akkupakettia. Se voi johtaa tulipaloon, ylikuumentumiseen tai räjähdykseen.
3. Jos akun toiminta-aika lyhenee merkittävästi, lopeta akun käyttö. Seurauksena voi olla ylikuumentuminen, palovammoja tai jopa räjähdys.
4. Jos akkunestettä pääsee silmiin, huuhtele puhtaalla vedellä ja hakeudu välittömästi lääkärin hoitoon. Akkuneste voi aiheuttaa näön menetyksen.
5. Älä oikosulje akkua.
 - (1) Älä koske akun napoihin millään sähköä johtavalla materiaalilla.
 - (2) Vältä akun oikosulkemista äläkä säilytä akkua yhdessä muiden metalliesineiden, kuten naulojen, kolikoiden ja niin edelleen kanssa.
 - (3) Älä aseta akkua alttiiksi vedelle tai sateelle.

Oikosulku voi aiheuttaa virtapiikin, ylikuumentumista, palovammoja tai laitteen rikkoutumisen.
6. Älä säilytä ja käytä työkalua ja akkupakettia paikassa, jossa lämpötila voi nousta 50 °C:een (122 °F) tai korkeammaksi.
7. Älä hävitä akkua polttamalla, vaikka se olisi pahoin vaurioitunut tai täysin loppuun kulunut. Avotuli voi aiheuttaa akun räjähtämisen.
8. Älä naulaa, leikkaa, purista, heitä tai pudota akkupakettia tai iske sitä kovia esineitä vasten. Tällaiset toimet voivat johtaa tulipaloon, ylikuumentumiseen tai räjähdykseen.
9. Älä käytä viallista akkua.

11. Kun akkupaketti on hävitettävä, poista se laitteesta ja hävitä se turvallisesti. Hävitä akku paikallisten määräysten mukaisesti.
12. Käytä akkuja vain Makitan ilmoittamien tuotteiden kanssa. Akkujen asentaminen yhteen sopimattomiin tuotteisiin voi aiheuttaa tulipalon, liiallisen ylikuumentumisen, räjähdyksen tai akkunestevuotoja.
13. Jos laitetta ei käytetä pitkään aikaan, akku on poistettava laitteesta.
14. Akkupaketin lämpötila voi käytön aikana ja sen jälkeen nousta niin kuumaksi, että se voi aiheuttaa palovammoja tai lieviä palovammoja. Käsittele kuumia akkupaketteja huolellisesti.
15. Älä kosketa työkalun liittintä välittömästi käytön jälkeen, sillä se voi olla riittävän kuuma aiheuttamaan palovammoja.
16. Älä päästä lastuja, pölyä tai maata akkupaketin liittimiin, aukkoihin ja uriin. Se voi johtaa työkalun tai akkupaketin lämpenemiseen, syttymiseen, purkautumiseen tai toimintahäiriöön, mikä voi aiheuttaa palovammoja tai vammoja.
17. Ellei työkalu tue käyttöä korkeajännitelinjojen lähellä, älä käytä akkupakettia korkeajännitelinjojen lähellä. Se voi johtaa työkalun tai akkupaketin toimintahäiriöön tai rikkoutumiseen.
18. Pidä akku poissa lasten ulottuvilta.

SÄILYTÄ NÄMÄ OHJEET.

HUOMIO: Käytä vain alkuperäisiä Makita-akkuja. Muiden kuin aitojen Makita-akkujen, tai mahdollisesti muutettujen akkujen käyttö voi johtaa akun murtumiseen ja aiheuttaa tulipaloja, henkilö- ja omaisuusvahinkoja. Se mitätöi myös Makita-työkalun ja -laturin Makita-takuun.

Vihjeitä akun käyttöön pidentämiseksi

1. Lataa akku ennen kuin se purkautuu täysin. Lopeta aina työkalun käyttö ja lataa akku, jos huomaa työkalun tehon vähenevän.
2. Älä koskaan lataa uudestaan täysin ladattua akkua. Ylilataaminen lyhentää akun käyttöikää.
3. Lataa akku huoneen lämpötilassa välillä 10 °C - 40 °C. Anna kuumen akun jäähtyä ennen lataamista.
4. Irrota akkupaketti työkalusta tai laturista, kun sitä ei käytetä.
5. Lataa akkupaketti, jos et käytä sitä pitkään aikaan (yli kuusi kuukautta).

OSIEN KUVAUS

- **Kuva1:** 1. Pääyksikkö 2. Uimuri 3. Uimuritoiminen vedenpinnantason osoitin
4. Kangassuodatin 5. Säiliö

TOIMINTOJEN KUVAUS

▲HUOMIO: Varmista aina ennen laitteen säätämistä ja tarkastamista, että laite on sammutettu ja akkupaketit irrotettu.

Akun asentaminen tai irrottaminen

▲HUOMIO: Sammuta laite aina ennen akkupakettien asentamista tai irrottamista.

▲HUOMIO: Pidä imurista ja akkupaketeista tiukasti kiinni, kun asennat tai irrotat akkupaketteja. Muutoin imuri ja akkupaketit voivat pudota käsistäsä, jolloin ne voivat vaurioitua tai aiheuttaa henkilövamman.

▲HUOMIO: Varo, etteivät sormesi jää akun suojakannen väliin sen avaamisen tai sulkemisen aikana. Muuten seurauksena voi olla henkilövammoja.

Imurissa on kaksi akkupaikkaa. Käyttämällä kahta samanlaista akkua rinnakkain saat pidennettyä käyttöaikaa yhdellä tai useammalla käyttökerralla ilman, että akkuja tarvitsee ladata välillä. Imuri toimii myös yhdellä akulla, joten voit valita tarpeidesi mukaan, käytätkö sitä kahdella akulla vai yhdellä akulla.

- **Kuva2:** 1. Vasen akkupaikka 2. Oikea akkupaikka

Kahden akun käyttö

Kahden akun jatkuva käyttö pidentää käyttöaikaa ja tehostaa imurointia. Kun ensimmäinen akku tyhjenee, imuri vaihtaa virtalähteen automaattisesti ja siirtyy käyttämään toista akkua.

HUOMAA: Vasen akkupaikka (imurin edestä katsottuna) on ensisijainen oikeaan akkupaikkaan verrattuna. Oikeaa akkupaikkaa käytetään virtalähteenä vain, jos vasempaan akkupaikkaan ei ole asennettu akkua tai siihen asennettu akku on tyhjentynyt.

HUOMAA: Voit poistaa akun vasemmasta akkupakasta ja alkaa ladata sitä käyttöä keskeyttämättä, kun imuri on vaihtanut virtalähteen vasemmasta akkupaikasta oikeaan. Kun asennat ladatun akun takaisin vasempaan akkupaikkaan, imuri vaihtaa sen ensisijaiseksi uudelleenkäynnistyksen jälkeen.

Yhden akun käyttö

Virtalähteeksi riittää yksi akku joko vasempaan tai oikeaan akkupaikkaan asennettuna. Imuri tunnistaa käyttöolosuhteiden mukaan automaattisesti, kumpi akkupaikka on käytettävissä.

Asentaminen ja irrottaminen

Asenna akkupaketit avaamalla ensin lukko ja sen jälkeen akun suojakansi. Aseta sitten akkupaketit paikoilleen.

- **Kuva3:** 1. Lukko 2. Akun suojakansi

Sovita akkupakettien kielekkeet akkukotelon uriin ja liu'uta akkupaketit sitten paikoilleen. Työnnä ne pohjaan asti niin, että kuulet niiden lukittuvan paikoilleen nap-sahtaen.

Lukitse lopuksi akun suojakansi.

- **Kuva4:** 1. Akkupaketti 2. Painike

Irrota akkupaketit painamalla niiden etupuolella olevia painikkeita ja vetämällä ne ulos akkukotelosta.

▲HUOMIO: Paina akkupaketti aina täysin paikalleen. Jos se ei ole kunnolla paikallaan, se voi pudota laitteesta ja aiheuttaa vammoja joko itsellesi tai sivullisille.
















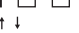
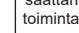
▲HUOMIO: Älä käytä voimaa akun asennuksessa. Jos akku ei liu'u paikalleen helposti, se on väärässä asennossa.

HUOMAA: Kun imuri vaihtaa virtalähteen ensimmäisestä akusta toiseen, imurin toiminta saattaa keskeytyä hetkeksi ja imuteho saattaa heiketä hieman. Huomaa, että tämä ei ole merkki toimintahäiriöstä, sillä imuri palautuu ja jatkaa toimintaa hetken päästä.

Akun jäljellä olevan varaustason ilmaisin

Painamalla tarkistuspainiketta saat näkyviin akun jäljellä olevan varauksen. Merkkivalot palavat muutaman sekunnin ajan.

- **Kuva5:** 1. Merkkivalot 2. Tarkistuspainike

| Merkkivalot | | | Akussa jäljellä olevan varaus |
|---|---|---|--|
|  Palaa |  Pois päältä |  Viikkuu | |
|  | | | 75% - 100% |
|  |  | | 50% - 75% |
|  |  | | 25% - 50% |
|  |  | | 0% - 25% |
|  |  | | Lataa akku. |
|  |  | | Akussa on saattanut olla toimintahäiriö. |
|  |  |  | |


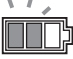
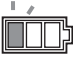

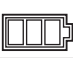
HUOMAA: Ilmoitettu varaustaso voi erota hieman todellisesta varaustasosta sen mukaan, millaisissa oloissa ja missä lämpötilassa laitetta käytetään.

HUOMAA: Ensimmäinen (vasemmanpuoleisin) merkkivalo vilkkuu, kun akun suojausjärjestelmä on toiminnassa.

Ohjauspaneelin akun merkkivalot

Jäljellä olevan akkukapasiteetin voi tarkistaa ohjauspaneelista milloin tahansa tarvittaessa. Kun painat tarkistuspainiketta, niin vasemman- ja oikeanpuoleiset merkkivalot ilmaisevat vastaavien puoltien akkujen varaustilat.

- **Kuva6:** 1. Akkujen merkkivalot 2. Tarkistuspainike
► **Kuva7**

| Akun merkkivalon tila | | | Akussa jäljellä oleva varaus |
|---|-------------|---------|------------------------------|
| Päällä | Pois päällä | Viikkuu | |
|  | | | 50 % - 100 % |
|  | | | 20 % - 50 % |
|  | | | 0 % - 20 % |
|  | | | Lataa akku |
|  | | | Akkua ei ole asennettu |

HUOMAA: Akkujen merkkivalot syttyvät myös, kun imuri alkaa toimia tai kun se vaihtaa virtalähteestä toiseen.



Laitteen/akun suojausjärjestelmä

Laitte on varustettu laitteen/akun suojausjärjestelmällä. Tämä järjestelmä pidentää laitteen ja akun käyttöikää katkaisemalla moottorin virran automaattisesti. Laitte pysähtyy automaattisesti kesken käytön, jos laitteessa tai akussa ilmenee jokin seuraavista tilanteista:


Ylikuormitusuoja

Kun laitetta/akkua käytetään tavalla, joka saa sen kuluttamaan epätavallisen suuren määrän virtaa, laite pysähtyy automaattisesti. Katkaise tässä tilanteessa laitteesta virta ja lopeta ylikuormitustilan aiheuttanut käyttö. Käynnistä sitten laite uudelleen kytkemällä siihen virta.

Ylikuumentumissuoja

| Päällä | Viikkuu |
|---|---|
|  |  |

Kun laite ylikuumentuu, se pysähtyy automaattisesti ja sekä vasemman että oikean akun merkkivalot vilkkuvat. Tässä tapauksessa anna laitteen jäähtyä, ennen kuin kytket sen uudelleen päälle.

| Päällä | Viikkuu |
|--|---------|
|  | |

Kun akku ylikuumentuu, laite pysähtyy automaattisesti ja ylikuumentuneen akun merkkivalot vilkkuvat. Tässä tapauksessa anna akun jäähtyä, ennen kuin kytket laitteen uudelleen päälle.

Ylipurkautumissuoja

Kun akkukapasiteetti käy vähiin, laite pysähtyy automaattisesti. Jos laite ei toimi, vaikka kytkintä käytetään, irrota akut laitteesta ja lataa ne.

Suojaus muilta haitallisilta tapahtumilta

Suojausjärjestelmä on suunniteltu suojaamaan laite myös muilta tapahtumilta, jotka voisivat vahingoittaa laitetta, ja pysäyttämään laite automaattisesti tällaisissa tapauksissa. Kun laite tai sen toiminta on pysähtynyt tilapäisesti, poista pysäytyksen syyt seuraavien vaiheiden mukaisesti.

1. Käynnistä laite uudelleen sammuttamalla se ja kytkemällä se sitten uudelleen päälle.
2. Lataa akut tai vaihda ne ladattuihin akkuihin.
3. Anna laitteen ja akkujen jäähtyä.

Jos suojausjärjestelmän nollaaminen ei korjaa tilannetta, ota yhteys paikalliseen Makita-huoltoon.

Kytkimen käyttäminen

Imurin kytkeminen päälle

1. Kytke imuri valmiustilaan kääntämällä valmiustilan kytkin "I" (ON) -asentoon.
2. Paina virtapainiketta. Kun haluat palata valmiustilaan, paina virtapainiketta uudelleen.

Imurin sammuttaminen

Tee jokin seuraavista toimista.

- Aseta imuri takaisin valmiustilaan painamalla virtapainiketta ja käännä sitten valmiustilan kytkin "O" (OFF) -asentoon.
- Käännä valmiustilan kytkin "O" (OFF) -asentoon.

Imutehon säätäminen

Imutehoa voidaan säätää työkohteen mukaan.

- Pienennä imutehoa kääntämällä imutehon säätönuppia vasemmalle.
- Lisää imutehoa kääntämällä imutehon säätönuppia oikealle.

- **Kuva8:** 1. Valmiustilan kytkin 2. Virtapainike
3. Imutehon säätönappi

Imun automaattikatkaisun merkäimuroinnin aikana

VAROITUS: Älä jatka käyttöä pitkään uimurin alkaessa toimia. Jos imuria käytetään pitkään uimurin ollessa toiminnassa, imuri voi ylikuumentua ja vaurioitua.

VAROITUS: Älä imuroi vaahtoa tai saippuavettä. Se voi johtaa vaahtoamiseen ilmanpoistoaukosta ennen kuin uimuri alkaa toimia. Käytön jatkaminen tässä tilanteessa voi johtaa sähköiskuun ja imurin vaurioitumiseen.

Imun automaattikatkaus toimii vain, kun imuria käytetään uimurin ja uimuritoimisen vedenpinnantason osoittimen kanssa. Imurissa on uimurimekanismi, joka estää veden pääsyn moottoriin, kun vettä imuroidaan yli määritetyn määrän. Kun säiliö on täynnä eikä imuri enää ime vettä, sammuta imuri ja tyhjennä säiliö.

Pyörien lukitseminen ja avaaminen

Takapyörät voi lukita pysäyttimillä, jolloin imurin saa pidettyä helpommin paikallaan.

Lukitse pyörä painamalla pysäytinvipu alas käsin ja vapauta pyörä nostamalla pysäytinvipu.

► **Kuva9:** 1. Pyörä 2. Pysäytinvipu 3. VAPAA asento 4. LUKITTU asento

HUOMAA: Varmista, että pyörä ei ole lukittu, kun liikutat imuria. Imurin liikutaminen pyörän ollessa lukittuna voi vaurioittaa pyörää.

Kantokahva

▲HUOMIO: Toimi huolellisesti, kun nostat laitteen ja kannat sitä. Muutoin seurauksena voi olla henkilövamma tai laitteen vaurioituminen.

Kun kannat imuria, kannata sitä sen pääyksikössä olevasta kahvasta. Kahvan voi taittaa alas pääyksikköön, kun sitä ei käytetä.

► **Kuva10**

KOKOONPANO

▲HUOMIO: Varmista aina ennen mitään laitteelle tehtäviä toimenpiteitä, että laite on sammutettu ja akkupaketit irrotettu.

▲HUOMIO: Käytä aina pölysuojainta asennuksen tai huollon aikana.

Jauhesuodattimen (HEPA) ja esisuodattimen (kuivalle materiaalille) asentaminen

Lisävaruste

▲HUOMIO: Älä koskaan imuroi vettä, muita nesteitä tai märkää materiaalia jauhesuodattimen käytön aikana. Muutoin jauhesuodatin voi vaurioitua.

Jauhesuodattimen käyttö:

1. Avaa uimuritoimisen vedenpinnantason osoittimen kiinnitysruuvit ja irrota sitten ruuvit, uimuritoimisen vedenpinnantason osoitin ja uimuri pääyksiköstä.

► **Kuva11:** 1. Ruuvi 2. Uimuritoiminen vedenpinnantason osoitin 3. Uimuri 4. Pääyksikkö

2. Poista kangassuodatin säiliöstä.

► **Kuva12:** 1. Kangassuodatin 2. Säiliö

3. Sijoita esisuodatin säiliöön kohdistamalla esisuodattimen ja säiliön kiinnitysmerkinnät vastakkain.

4. Asenna vaimennin esisuodattimeen ja sijoita sitten jauhesuodatin vaimentimen päälle kohdistamalla jauhesuodattimen ja esisuodattimen kiinnitysmerkinnät vastakkain.

5. Asenna pääyksikkö säiliön päälle ja kiinnitä ne lukitussalvoilla.

► **Kuva13:** 1. Pääyksikkö 2. Jauhesuodatin (HEPA) 3. Vaimennin 4. Esisuodatin 5. Säiliö 6. Kiinnityspaikan merkintä

HUOMAUTUS: Ennen kuin käytät jauhesuodatinta, varmista, että esisuodatin ja vaimennin ovat molemmat asennettuina. Älä asenna pelkkää jauhesuodatinta.

Vesisuodattimen asentaminen

Lisävaruste

HUOMAUTUS: Älä koskaan imuroi vettä tai märkää materiaalia ilman uimuria ja kangas- tai vesisuodatinta.

HUOMAUTUS: Märän materiaalin imuroimiseksi varmista, että uimuritoiminen vedenpinnantason osoitin ja imuri ovat asennettu imuriin.

HUOMAUTUS: Kun asennat vesisuodattimen säiliöön, asenna se tiiviisti säiliön aukkoon niin, että vesisuodattimen koukku tulee säiliön aukkoon tiukasti kiinni eikä vesisuodattimen ja säiliön väliin jää tilaa.

Veden tai märän materiaalin imuroimiseksi, vesisuodatin soveltuu tarkoitukseen paremmin kuin kangassuodatin.

Kun asennat vesisuodattimen, kohdista sen kiinnityspaikan merkintä säiliössä olevaan merkintään.

► **Kuva14:** 1. Vesisuodatin 2. Säiliö 3. Kiinnityspaikan merkintä

HUOMAA: Suosittelemme käyttämään vesisuodatinta imuroitaessa toistuvasti suuria vesimääriä. Muussa tapauksessa imuteho voi laskea kangassuodatinta käyttämällä.

Paperisuodatinpussin asentaminen

Lisävaruste

▲VAROITUS: Varmista ennen paperisuodatinpussin käyttöä, että kangassuodatin tai esisuodatin ovat asennettuina. Jos kangassuodatinta/esisuodatinta ei käytetä, imuri voi pitää epätavallista ääntä, ylikuumentua tai syttyä palamaan.

HUOMAUTUS: Älä koskaan imuroi vettä, muita nesteitä tai märkää materiaalia käyttäessäsi paperisuodatinpussia. Muutoin paperisuodatinpussi voi vaurioitua.

HUOMAUTUS: Kun käytät kangassuodatinta, varmista, että uimuri ja uimuritoiminen vedenpinnantason osoitin on kiinnitetty pääyksikköön.

HUOMAUTUS: Kun käytät esisuodatinta, varmista, että jauhesuodatin ja vaimennin ovat asennettuina.

1. Avaa paperisuodatinpussi.
2. Kohdista paperisuodatinpussin aukko säiliön imuaukkoon.
3. Asenna paperisuodatinpussi säiliöön niin, että aukollinen pahi tulee kiinni paperisuodatinpussin pidikkeeseen.
 - ▶ **Kuva15:** 1. Paperisuodatinpussi 2. Aukollinen pahi 3. Paperisuodatinpussin pidike 4. Imuaukko

Muovipussin asentaminen

Kun säiliöön asennetaan muovipussi, säiliön voi tyhjentää helposti käsi liikaamatta.

Aseta muovipussi säiliön päälle ja ujuta pussin avoimen pään toinen reuna pidikelevyn ja säiliön etuseinän väliin.

- ▶ **Kuva16:** 1. Pidikelevy 2. Säiliön etuseinä 3. Muovipussi

Levitä pussin muut reunat säiliön yläreunan päälle. Sijoita kangassuodatin tai esisuodatin muovipussin päälle niin, että pussin aukko kiinnittyy pitävästi.

- ▶ **Kuva17:** 1. Kangassuodatin / esisuodatin

HUOMAA: Voit käyttää yleisesti myynnissä olevia muovipusseja. Suosituspaksuus on vähintään 0,04 mm.

HUOMAA: Ylitäytynyt pussi repeää helposti, joten älä täytä sitä yli puoliväliin.

Muovipussillisen säiliön tyhjentäminen

VAROITUS: Varmista aina ennen säiliön tyhjentämistä, että imuri on sammutettu ja akkupaketit irrotettu. Muutoin seurauksena voi olla sähköisku ja vakava henkilövahinko.

HUOMAUTUS: Älä altista uimuritoimista vedennantantason osoitinta ja säiliötä voimakkailla iskuille. Kova isku voi muuttaa osien muotoa ja aiheuttaa niiden vaurioitumisen.

HUOMAUTUS: Tyhjennä säiliö vähintään kerran päivässä imurin säiliöön kerääntyvän pölyn määrää riippumatta. Muutoin imuteho heikkenee ja moottori voi vaurioitua.

HUOMAUTUS: Älä tartu pidikkeisiin tai salpoihin, kun tyhjennät säiliötä. Pidikkeet tai salvat voivat rikkoutua, jos niihin tartutaan.

Vapauta lukitusosalvat ja nosta pääyksikkö irti säiliöstä. Ravistele pöly pois kangassuodattimesta tai esisuodattimesta ennen kuin nostat suodattimen säiliöstä. Poista sitten muovipussi säiliöstä ja sulje pussin aukko käsin.

- ▶ **Kuva18:** 1. Muovipussi 2. Säiliö

HUOMAA: Nosta muovipussi säiliöstä varovasti, jotta säiliön reunat eivät rei'itä ja revi pussia.

HUOMAA: Tyhjennä muovipussi sen ollessa täynnä. Muovipussi voi repeytyä, jos säiliössä on liikaa pölyä.

Monitoimipidikkeen asentaminen

Kun letkua, lisävarusteita ja lisäosia ei käytetä, ne voi asettaa kätevästi monitoimipidikkeeseen, josta ne saa käyttöön nopeasti.

- ▶ **Kuva19**

Aseta monitoimipidike imurin takana olevan asennuskannan päälle niin, että monitoimipidikkeen kiskot asetuvat asennuskannan uriin.

- ▶ **Kuva20:** 1. Monitoimipidike 2. Asennuskanta

MAKPAC-sovittimen asentaminen

Lisävaruste

Imurin päälle voi asentaa yhdistettävää ja pinottavaa MAKPAC-säilytyslaukkuja valinnaisesti sovitinta käyttämällä. Laukkuja on saatavana eri kokoisina ja tyylisinä tarpeidesi mukaan.

Aseta asennuskanta imurin kahtaan päälle niin, että asennuskannan kiinnityspuoli osoittaa ylöspäin, kun kahva on kiinni taitettu.

- ▶ **Kuva21:** 1. Asennuskannan kiinnike 2. Kiinnityspuoli 3. Kahva

Asenna MAKPAC-sovitin asennuskannan kiinnikkeeseen ja kiinnitä ne yhteen neljällä mukana toimitetulla ruuvilla.

- ▶ **Kuva22:** 1. MAKPAC-sovitin 2. Asennuskannan kiinnike 3. Ruuvi

Valmistele imuri MAKPAC-laukkujen asentamista varten nostamalla tukitanko ylös ja kiristämällä sen nuppi.

- ▶ **Kuva23:** 1. Tukitanko 2. Nuppi

HUOMAA: Lisätietoja MAKPAC-laukkujen asentamisesta on MAKPAC-sovittimen ja -laukkujen mukana toimitetuissa ohjeissa.

Letkun asentaminen

HUOMAUTUS: Älä koskaan taivuta tai tallo letkua. Älä koskaan liikuta imuria letkusta vetämällä. Vääntäminen, tallominen tai vetäminen voi aiheuttaa letkuvaurioita.

HUOMAUTUS: Jos imuroit suurikokoisia roskia, kuten höylän lastuja, betoninmurusia tai muuta vastaavaa, käytä sisähalkaisijaltaan 38 mm:n letkua (lisävaruste). Jos käytät sisähalkaisijaltaan 28 mm:n letkua (lisävaruste), se voi mennä tukkoon ja vaurioitua.

Kytkeminen imuriin

Aseta letkun pää imurin imuaukkoon (letkuliitäntään) ja käännä letkun päätä sitten myötäpäivään niin, että se lukittuu paikalleen.

- ▶ **Kuva24:** 1. Letku 2. Imuaukko (letkuliitäntä)

Kytkeminen työkaluihin (Maakohtainen)

Pölynimurin voi kytkeä sen kanssa yhteensopiviin työkaluihin, jolloin imuria voi käyttää näiden sähkötyökalujen käytössä syntyvän pölyn poistamiseen.

Valitse työkalusi mallille parhaiten sopiva sovitinkappale tai liitinosa (valinnaisia lisävarusteita). Aseta sovitinkappaleet tai liitinosat tarvittaessa imurin letkun etupään ja työkalusi pölynpoistoliittimen väliin.

- ▶ **Kuva25:** 1. Sovitinkappaleet tai liitinosa 2. Imurin letku 3. Sähkötyökalu 4. Pölynimuri

Imurilisävarusteiden asentaminen ja irrotus

⚠️HUOMIO: Tarkista lisävarusteen asentamisen jälkeen, että se on kiinnitetty pitävästi. Jos lisävaruste on kiinnitetty huolimattomasti, se voi irrota ja aiheuttaa henkilövamman.

Lukitustoiminnottoman lisävarusteen käyttö

Lisävaruste

Asenna lisävaruste imuriin työntämällä se imupäähän ja kääntämällä se paikalleen.

Käännä lisävaruste auki ja vedä se irti imupäästä käsin, kun sitä ei enää tarvita.

► Kuva26

Lukitustoiminnolliset lisävarusteet

Lisävaruste

HUOMAUTUS: Kun asennat lukitustoiminnolla varustettua lisävarustetta paikalleen, varmista, että vapautuspainike on vastakkain lisävarusteen salvan kanssa. Mikäli ne eivät ole vastakkain, lisävaruste ei lukitu paikalleen ja se saattaa irrota imurista.

Asenna lisävaruste imurin imupäähän painamalla ne yhteen niin, että kuuluu naksahdus.

Irrota lisävaruste painamalla vapautuspainiketta ja vetämällä lisävaruste samalla irti.

- **Kuva27:** 1. Lukitustoiminnollinen imupää 2. Vapautuspainike
3. Lukitustoiminnollinen lisävaruste

HUOMAA: Lukitustoiminnollisen lisävarusteen voi asentaa vain lukitustoiminnolliseen imupäähän.

- **Kuva28:** 1. Lukitustoiminnollinen lisävaruste
2. Lukitustoiminnollinen imupää
3. Lukitustoiminnoton imupää

Liukutyypin jatkoputken pituuden säätäminen

Lisävaruste

Liukutyypistä jatkoputkea voi käyttää lyhyempänä ja pidempänä. Se helpottaa vaikeasti tavoitettavien alueiden imuroimista ja parantaa imurin käyttömukavuutta.

Voit muuttaa putken pituutta pitämällä liukupainiketta painettuna ja vetämällä tai työntämällä samalla liukuputkea.

Lukitse liukuputki haluamaasi asentoon vapauttamalla liukupainike.

- **Kuva29:** 1. Liukuputki 2. Liukupainike

KUNNOSSAPITO

⚠️HUOMIO: Varmista aina ennen tarkastusta tai huoltoa, että laite on sammutettu ja akkupaketit irrotettu.

HUOMAUTUS: Älä koskaan käytä bensiiniä, ohenteita, alkoholia tai tms. aineita. Muutoin pinta voi halkeilla tai sen värit ja muoto voivat muuttua. Muutoin laitteeseen voi tulla värjäytyksiä, muodon vääristymiä tai halkeamia.

Tuotteen TURVALLISUUDEN ja LUOTETTAVUUDEN takaamiseksi korjaukset, muut huoltotyöt ja säädöt on teetettävä Makitan valtuutetussa huoltopisteessä Makitan varaosia käyttäen.

Lisävarusteiden säilyttäminen

Käyttämättömät lisävarusteet ja lisäosat, kuten suuttimet ja harjat, voi kiinnittää imurin takana olevaan monitoimipidikeeseen ja säilyttää siinä.

- **Kuva30:** 1. Monitoimipidike 2. Käyttämättömät lisävarusteet ja lisäosat

Putkikiinnikkeeseen voi kiinnittää putkia (kun valinnainen pidike asennettuna), joita ei juuri sillä hetkellä tarvita.

- **Kuva31:** 1. Pidike (valinnainen lisävaruste)
2. Putkikiinnike

Letkun voi varastoida kiertämällä sen löysästi imurin rungon tai kahvan ympärille. Kytke sen päät yhteen niin, että letku muodostaa silmukan ja kieriä letku sitten silmukoina nostetun kahvan ympäri. Vaihtoehtoisesti voit pitää sen kytkentäpäähän kiinnitetynä letkuliitäntään, kiinnittää sen irtonaisen pään ja kiertää sen sitten monitoimipidikkeen varaan silmukoina.

- **Kuva32**

- **Kuva33**

Kangassuodattimen puhdistaminen

Puhdista kangassuodatin säännöllisin välein, sillä tukkeutunut kangassuodatin saattaa heikentää imutehoa.

Pyyhi ja ravista pöly irti kangassuodattimesta käsin ajoittain.

- **Kuva34:** 1. Kangassuodatin

Jauhesuodattimen (HEPA) ja esisuodattimen puhdistaminen

Lisävaruste

Puhdista jauhesuodatin, esisuodatin ja vaimennin säännöllisin välein, sillä tukkeutuneet suodattimet ja vaimennin saattavat heikentää imutehoa.

Pyyhi ja ravista pöly irti suodattimesta ja vaimentimesta käsin säännöllisesti.

Pese ja huutele jauhesuodatin aika ajoin vedellä ja anna sen kuivua kokonaan varjoisassa paikassa ennen sen uudelleen käyttöä. Älä koskaan pese suodattimia pesukoneessa.

- **Kuva35**

HUOMAA: Älä hierrä tai naarmuta jauhesuodatinta, esisuodatinta tai vaimenninta kärkeillä harjoilla tai muilla vastaavilla.

HUOMAA: Suodattimet kuluvat ajan kuluessa.

Suosittellemme hankkimaan varasuodattimia kuluneiden tilalle.

LISÄVARUSTEET

⚠HUOMIO: Seuraavia lisävarusteita tai laitteita suositellaan käytettäväksi tässä ohjeessa kuvatun Makita-työkalun kanssa. Muiden lisävarusteiden tai laitteiden käyttö voi aiheuttaa henkilövahinkoja. Käytä lisävarusteita ja -laitteita vain niiden käyttötarkoituksen mukaisesti.

Jos tarvitset apua tai yksityiskohtaisempia tietoja seuraavista lisävarusteista, ota yhteys paikalliseen Makitan huoltoon.

- Letku
- Etusovitinkappaleet (22, 24, 38)
- Suora putki
- Jatkoputki
- Kulmasuutin
- Pyöreä harja
- Tomusuodatin, HEPA (kuivalle pölylle)
- Vaimennin
- Esisuodatin
- Vesisuodatin
- Kangassuodatin
- Suutin
- Kaariputki
- Muovipussi
- Paperisuodatinpussi
- MAKPAC-sovitin
- Aito Makitan akku ja laturi



HUOMAA: Jotkin luettelossa mainitut varusteet voivat sisältyä työkalun toimitukseen vakiovarusteina. Ne voivat vaihdella maittain.

ADVARSEL

- Denne maskine er ikke beregnet til brug af personer, herunder børn, med reducerede fysiske, sensoriske eller mentale færdigheder eller manglende erfaring og viden.
- Børn skal overvåges for at sikre, at de ikke leger med støvsugeren.
- Se kapitlet "SPECIFIKATIONER" for batteriets typereference.
- Se afsnittet "Installation eller fjernelse af akkuen" for at finde ud af, hvordan man fjerner eller installerer batteriet.
- Når du bortskaffer akkuen, skal du afmontere den fra maskinen og bortskaffe den på et sikkert sted. Følg dine lokale regler vedrørende bortskaffelse af batterier.
- Hvis maskinen ikke skal bruges i en længere periode, skal batteriet fjernes fra maskinen.
- Akkuen må ikke kortsluttes.
- Se kapitlet "VEDLIGEHOLDELSE" for at få de relevante oplysninger om forholdsregler under brugervedligeholdelse.

SPECIFIKATIONER

| Model: | VC001GL | VC003GL |
|--|-------------------------------------|--------------------------|
| Standardfiltrertype | Tekstfilter (til tørt og vådt støv) | |
| Maksimal luftvolumen (med BL4040, ø32 mm x 1,7 m slange) | 2,7 m ³ /min | |
| Vakuum (med BL4040, ø32 mm x 1,7 m slange) | 23 kPa | |
| Opsamlingskapacitet | Støv | 15 L |
| | Vand | 12 L |
| Dimensioner (L x B x H) | 366 mm x 334 mm x 425 mm | 366 mm x 334 mm x 475 mm |
| Nominel spænding | D.C. Maks. 36 V - 40 V | |
| Nettovægt | 8,1 - 11,2 kg | 8,4 - 11,5 kg |
| Beskyttelsesgrad | IPX4 | |

- På grund af vores kontinuerlige forsknings- og udviklingsprogrammer kan hosstående specifikationer blive ændret uden varsel.
- Specifikationer og akku kan variere fra land til land.
- Vægten inkluderer akku(er), men ikke tilbehør. Vægten af den letteste og tungeste kombination af apparat og akku(er) er vist i tabellen.
- Til vådt støv kræves flyderen og vandfilteret eller tekstfilteret.

Anvendelig akku og oplader

| | |
|---------|--|
| Akku | BL4020 / BL4025 / BL4040* / BL4050F* / BL4080F* * : Anbefalet batteri |
| Oplader | DC40RA / DC40RB / DC40RC |

- Nogle af de akkuer og opladere, der er angivet ovenfor, er muligvis ikke tilgængelige, afhængigt af hvilket område du bor i.

⚠ ADVARSEL: Brug kun de akkuer og opladere, der er angivet ovenfor. Brug af andre akkuer og opladere kan medføre personskade og/eller brand.

Symboler

Følgende viser de symboler, der muligvis anvendes til udstyret. Sørg for, at du forstår deres betydning før brugen.



Læs betjeningsvejledningen.



Udvis særlig forsigtighed og opmærksomhed.



Advarsel! Støvsugeren indeholder muligvis farligt støv.



Stå aldrig på støvsugeren.



Støvklasser L (let). Støvsugeren kan opsure støvklasser L. Følg lovgivningen i dit land vedrørende støv samt sundhed og sikkerhed på arbejdspladsen.



Kun for lande inden for EU
På grund af tilstedeværelsen af farlige komponenter i udstyret kan affald af elektrisk og elektronisk udstyr, akkumulatører og batterier have en negativ indvirkning på miljøet og folkesundheden.
Bortskaf ikke elektriske og elektroniske apparater eller batterier sammen med husholdningsaffald!
I overensstemmelse med EF-direktiv om affaldshåndtering af elektrisk og elektronisk udstyr og om akkumulatører og batterier og affaldsakkumulatører og -batterier, og i overensstemmelse med national lovgivning, skal brugt elektrisk udstyr, batterier og akkumulatører opbevares separat og leveres til et separat indsamlingssted for kommunalt affald, der er etableret i henhold til bestemmelserne om miljøbeskyttelse. Dette er angivet ved symbolet på den krydsede skrældespand, der er placeret på udstyret.

Tilsigtet anvendelse

Apparatet er beregnet til opslugning af både vådt og tørt støv. Apparatet er egnet til kommerciel brug, for eksempel på hoteller, skoler, hospitaler, fabrikker, butikker, kontorer og udlejningsvirksomheder.

Støj

Det typiske A-vægtede støjniveau bestemmt i overensstemmelse med EN60335-2-69:

Model VC001GL

Lydtryksniveau (L_{pA}): 70 dB (A) eller derunder
Usikkerhed (K): 2,5 dB (A)

Model VC003GL

Lydtryksniveau (L_{pA}): 70 dB (A) eller derunder
Usikkerhed (K): 2,5 dB (A)

Støjniveauet under arbejdet kan overskride 80 dB (A).

BEMÆRK: De(n) angivne støjemissionsværdi(er) er målt i overensstemmelse med en standardtestmetode og kan anvendes til at sammenligne en maskine med en anden.

BEMÆRK: De(n) angivne støjemissionsværdi(er) kan også anvendes i en præliminær eksponeringsvurdering.

⚠ ADVARSEL: Bær høreværn.

⚠ ADVARSEL: Støjemissionen under den faktiske anvendelse af maskinen kan være forskellig fra de(n) angivne værdi(er), afhængigt af den måde hvorpå maskinen anvendes, især den type arbejdsemne der behandles.

⚠ ADVARSEL: Sørg for at identificere de sikkerhedsforskrifter til beskyttelse af operatøren, som er baseret på en vurdering af eksponering under de faktiske brugsforhold (med hensyntagen til alle dele i brugscyklussen, f.eks. de gange, hvor maskinen er slukket, og når den kører i tomgang i tilgift til afbrydertiden).

Vibration

Vibrationens totalværdi (tre-aksial vektorsum) bestemmt i overensstemmelse med EN60335-2-69:

Model VC001GL

Vibrationsafgivelse (a_{hM}): 2,5 m/s² eller mindre
Usikkerhed (K): 1,5 m/s²

Model VC003GL

Vibrationsafgivelse (a_{hM}): 2,5 m/s² eller mindre
Usikkerhed (K): 1,5 m/s²

BEMÆRK: De(n) angivne totalværdi(er) for vibration er målt i overensstemmelse med en standardtestmetode og kan anvendes til at sammenligne en maskine med en anden.

BEMÆRK: De(n) angivne totalværdi(er) for vibration kan også anvendes i en præliminær eksponeringsvurdering.

⚠ ADVARSEL: Vibrationsemissionen under den faktiske anvendelse af maskinen kan være forskellig fra de(n) angivne værdi(er), afhængigt af den måde hvorpå maskinen anvendes, især den type arbejdsemne der behandles.

⚠ ADVARSEL: Sørg for at identificere de sikkerhedsforskrifter til beskyttelse af operatøren, som er baseret på en vurdering af eksponering under de faktiske brugsforhold (med hensyntagen til alle dele i brugscyklussen, f.eks. de gange, hvor maskinen er slukket, og når den kører i tomgang i tilgift til afbrydertiden).

EF-overensstemmelseserklæring

Kun for lande i Europa

EF-overensstemmelseserklæringen er inkluderet som Bilag A i denne brugsanvisning.

SIKKERHEDSADVARSLER

Sikkerhedsadvarsler for akku støvsuger

⚠ ADVARSEL: VIGTIGT! LÆS OMHYGGELIGT alle sikkerhedsadvarsler og alle instruktioner FØR BRUGEN. Hvis advarslerne og instruktionerne ikke overholdes, kan det medføre elektrisk stød, brand og/eller alvorlig personskade.

1. Før brugen skal du sørge for, at denne støvsuger anvendes af personer, der er tilstrækkeligt oplært i brugen af støvsugeren.
2. Før brugen skal operatører have oplysninger, instruktioner og oplæring i brugen af maskinen og de stoffer, den kan anvendes til, herunder den sikre metode til fjernelse og bortskaffelse af det opsamlende materiale.
3. Sluk med det samme, hvis der kommer skum/væske ud.

4. Rengør jævnligt enheden til begrænsning af vandstanden, og undersøg den for tegn på skader.
5. Sørg altid for, at filtrene er monteret korrekt inden brug. Anvend ikke støvsugeren uden filtre på plads. Udskift straks et beskadiget filter. Det anbefales at have nogle ekstra filtre, da filtre er forbrugsvarer.
6. **UNDGÅ, AT MASKINEN STARTER VED ET UHELD.** Sørg for, at der er slukket på kontakten, ved montering af batteri(er).
7. Forsøg ikke at opsuge brændbare materialer, fyrværkeri, tændte cigaretter, varm aske, varme metalspåner, skarpe genstande som f.eks. barberblade, nåle, glasskår eller lignende.
8. **BRUG ALDRIG STØVSUGEREN I NÆRHEDED AF BENZIN, GAS, MALING, LIM ELLER ANDRE STÆRKT EKSPLOSIONSFARLIGE STOFFER.** Afbryderen udsender gnister, når der tændes eller slukkes. Det samme gør motorkommutatoren under brugen. Det kan medføre farlig eksplosion.
9. Støvsug aldrig giftstoffer, kræftfremkaldende stoffer, brændbare stoffer eller andre farlige materialer som f.eks. asbest, arsenik, barium, beryllium, bly, insektmidler eller andre sundhedsskadelige materialer.
10. Placér altid støvsugeren på en horisontal plan overflade for at forhindre, at den falder eller flytter sig ved et uheld.
11. Brug aldrig støvsugeren udenfor i regnvejr.
12. I Finland er det ikke tilladt at benytte maskinen ved lave udendørstemperaturer.
13. Brug ikke i nærheden af varmekilder (komfurer og lignende).
14. Hvis udstødningsluften sendes tilbage i rummet, er det nødvendigt at bruge passende luftudvekslingshastighed i rummet. Reference til nationale reguleringer er nødvendig.
15. Bloker ikke sugeåbningen/udløbet/ventilationsåbningerne til afkøling. Disse ventilationsåbninger muliggør afkøling af motoren. Blokering skal undgås omhyggeligt, da motoren ellers vil brænde sammen på grund af en mangel på ventilation.
16. Oprethold til enhver tid korrekt fodfæste og balance.
17. Undlad at sammenfolde, rykke i eller træde på slangen.
18. Stop med det samme støvsugeren, hvis du bliver opmærksom på dårlig ydelse eller noget unormalt under brugen.
19. **FJERN BATTERIET ELLER BATTERIERNE.** Når maskinen ikke er i brug, før service, og når der skiftes tilbehør.
20. Rengør og servicer støvsugeren umiddelbart efter hver brug for at holde den i tiptop funktionstilstand.
21. **VEDLIGEHOLD STØVSUGEREN OMHYGGELIGT.** Hold støvsugeren ren for at opnå bedre og sikrere ydelse. Følg instruktionerne for udskiftning af tilbehør. Hold håndtagene tørre, rene og fri for olie og fedt.
22. **KONTROLLER BESKADIGEDE DELE.** Før støvsugeren bruges igen, skal en beskyttelseskærm eller anden del, som er beskadiget, kontrolleres omhyggeligt for at fastslå, om den vil fungere korrekt og udføre sin tilsigtede funktion. Kontroller for justeringen af bevægelige dele, binding af bevægelige dele, brud på dele, montering og alle andre forhold, der kan påvirke funktionaliteten. En beskyttelseskærm eller anden del, der er beskadiget, skal repareres korrekt eller udskiftes af et autoriseret servicecenter, medmindre andet fremgår andetsteds i denne brugsanvisning. Få defekte afbrydere udskiftet hos et autoriseret servicecenter. Brug ikke støvsugeren, hvis afbryderen ikke kan tænde eller slukke for den.
23. For brugerservicering skal maskinen skilles ad, rengøres og serviceres så vidt muligt praktisk uden at udgøre en risiko for vedligeholdelsespersonalet og andre.
24. Der skal foretages teknisk inspektion af maskinen af producenten eller en instrueret person mindst én gang om året, f.eks. bestående af inspektion af filtrene for skader, om maskinen er lufttæt, og om kontrolmekanismen fungerer korrekt.
25. Ved udførelse af service- eller reparations-handlinger skal alle forurenede elementer, som ikke kan rengøres tilfredsstillende, bortskaffes i tætte poser i overensstemmelse med eventuel lovgivning vedrørende bortskaffelse af sådant affald.
26. **RESERVEDELE.** Brug kun identiske reservedele i forbindelse med service.
27. **OPBEVAR STØVSUGEREN, NÅR DEN IKKE BRUGES.** Når maskinen ikke er i brug, skal den opbevares indendørs.
28. Våde filtre og den indvendige del af væskebeholderen skal tørres før opbevaring.
29. Behandl din støvsuger godt. Hårdhændet behandling kan medføre, at selv den mest solidt byggede støvsuger går i stykker.
30. Forsøg ikke at rengøre udvendigt eller indvendigt med benzen, fortynder eller kemiske rengøringsmidler. Dette kan medføre revner og misfarvning.
31. Brug ikke støvsugeren i et aflukket lokale, hvor der afgives brændbare, eksplosive eller giftige dampe fra oliebaseret maling, malingsfortynder, benzin, visse mølmidler osv., eller på steder med brandfarligt støv.
32. Anvend ikke denne eller andre maskiner, hvis du er påvirket af narkotika eller alkohol.
33. Anvend som grundlæggende sikkerhedsregel beskyttelsesbriller eller sikkerhedsbriller med sideværn.
34. Brug en støvmaske i støvede arbejdsforhold.
35. Denne maskine er ikke beregnet til brug af personer, herunder børn, med reducerede fysiske, sensoriske eller mentale færdigheder eller manglende erfaring og viden.
36. Børn skal overvåges for at sikre, at de ikke leger med støvsugeren.
37. Håndter aldrig batteriet eller batterierne og støvsugeren med våde hænder.

38. Vær ekstremt forsigtig ved rengøring på trapper.
 39. Anvend ikke støvsugeren som taburet eller arbejdsbænk. Maskinen kan falde ned og forårsage personskade.
- Brug og vedligeholdelse af batteriet**
1. Oplad kun med den oplader, som producenten angiver. En oplader, der passer til én type batteri, kan forårsage brand, hvis den anvendes med et andet batteri.
 2. Brug kun el-værktøjer sammen med de tilhørende batteripakker. Brug af andre batteripakker kan forårsage personskade og brand.
 3. Når batteripakker ikke anvendes, skal de holdes borte fra andre metalgenstande som papirclips, mønter, nøgler, søm, skruer og andre små metalgenstande, der kan skabe forbindelse mellem terminalerne. Hvis batteriets terminaler kortsluttes, kan det forårsage brand.
 4. I tilfælde af misbrug kan der sprøjte væske ud fra batteriet. Undgå kontakt. Skyld med vand, hvis De kommer i kontakt med væsken. Søg læge, hvis De får væske i øjet. Væske, der sprøjter ud fra batteriet, kan medføre irritation eller forbrændinger.
 5. Undlad at bruge en akku eller maskine, der er beskadiget eller ændret. Beskadigede eller ændrede batterier kan fungere uforudsigeligt og medføre brand, eksplosion eller risiko for personskade.
 6. Undlad at udsætte en akku eller maskine for brand eller høje temperaturer. Udsættelse for brand eller temperaturer på over 130 °C kan medføre eksplosion.
 7. Følg alle instruktioner vedrørende opladning, og undlad at oplade akkuen eller maskinen uden for det temperaturinterval, der er angivet i instruktionerne. Opladning, der udføres forkert eller ved temperaturer uden for det angivne temperaturinterval, kan beskadige batteriet og medføre øget risiko for brand.
5. Vær påpasselig med ikke at komme til at kortslutte akkuen:
 - (1) Rør ikke ved terminalerne med noget ledende materiale.
 - (2) Undgå at opbevare akkuen i en beholder sammen med andre genstande af metal, for eksempel søm, mønter og lignende.
 - (3) Udsæt ikke akkuen for vand eller regn. Kortslutning af akkuen kan forårsage en kraftig øgning af strømmen, overophedning, mulige forbrændinger og endog værktøjstop.
 6. Opbevar og brug ikke maskinen og akkuen på steder, hvor temperaturen muligvis kan nå eller overstige 50 °C.
 7. Lad være med at brænde akkuen, selv ikke i tilfælde, hvor den har lidt alvorlig skade eller er fuldstændig udtjent. Akkuen kan eksplodere, hvis man forsøger at brænde den.
 8. Slå ikke søm i, skær ikke i, knus, kast, tab ikke akkuen og stød ikke akkuen mod en hård genstand. Sådant adfærd kan muligvis resultere i en brand, overdreven varme eller eksplosion.
 9. Anvend ikke en beskadiget akku.
 10. De indbyggede litium-ion-batterier er underlagt lovkrav vedrørende farligt gods. Ved kommerciel transport, f.eks. af tredjeparts transportselskaber, skal særlige krav til forpakning og mærkning overholdes. Ved forberedelse af udstyret til forsendelse skal du kontakte en ekspert i farligt gods. Overhold også eventuel mere detaljeret national lovgivning. Tape eller tildæk åbne kontakter, og pak batteriet på en måde, så det ikke kan flytte sig rundt i pakningen.
 11. Når akkuen bortskaffes, skal du fjerne den fra maskinen og bortskaffe den på et sikkert sted. Følg de lokale love vedrørende bortskaffelsen af batterier.

GEM DENNE BRUGSANVISNING.

⚠ ADVARSEL: LAD IKKE bekvemmelighed eller kendskab til produktet (opnået gennem gentagen brug) forhindre, at sikkerhedsforskrifterne for produktet nøje overholdes. MISBRUG eller forsummelse af at følge de i denne brugsvejledning givne sikkerhedsforskrifter kan føre til, at De kommer alvorligt til skade.

Vigtige sikkerhedsinstruktioner for akkuen

1. Læs alle instruktioner og advarselmærkater på (1) akku-opladeren, (2) akkuen og (3) produktet, som anvender akku.
2. Adskil eller ændr ikke akkuen. Det kan muligvis resultere i en brand, overdreven varme eller eksplosion.
3. Hold straks op med anvendelsen, hvis brugstiden er blevet stærkt affortet. Fortsat anvendelse kan resultere i risiko for overophedning, forbrændinger og endog eksplosion.
4. Hvis De har fået elektrolytvæske i øjnene, skal De straks skylle den ud med rent vand og derefter øjeblikkeligt søge lægehjælp. I modsat fald kan De miste synet.
5. Sørg for, at spåner, støv eller jord ikke sætter sig fast i akkuens terminaler, huller og riller. Det kan forårsage opvarmning, antændelse, sprængning og funktionsfejl i maskinen eller akkuen, hvilket kan medføre forbrændinger eller personskade.
6. Medmindre maskinen understøtter brugen i nærheden af elektriske højspændingsledninger, skal du ikke anvende akkuen i nærheden af elektriske højspændingsledninger. Det kan muligvis medføre funktionsfejl på eller nedbrud af maskinen eller akkuen.
7. Opbevar batteriet utilgængeligt for børn.

GEM DENNE BRUGSANVISNING.

⚠FORSIGTIG: Brug kun originale batterier fra Makita. Brug af uoriginale Makita-batterier, eller batterier som er blevet ændret, kan muligvis medføre brud på batteriet, hvilket kan forårsage brand, personskade eller beskadigelse. Det ugyldiggør også Makita-garantien for Makita-maskinen og opladeren.

Tips til opnåelse af maksimal akku-levetid

1. Oplad akkuen, inden den er helt afladet. Stop altid værktøjet, og oplad akkuen, hvis De bemærker, at værktøjeffekten er aftagende.
2. Genoplad aldrig en fuldt opladet akku. Overopladning vil afkorte akkuens levetid.
3. Oplad akkuen ved stuetemperatur ved 10 °C - 40 °C. Lad altid en varm akku få tid til at køle af, inden den oplades.
4. Når du ikke anvender akkuen, skal du fjerne den fra maskinen eller opladeren.
5. Oplad akkuen, hvis De ikke skal bruge den i længere tid (mere end seks måneder).

BESKRIVELSE AF DELENE

- Fig.1: 1. Hovedenhed 2. Flyder 3. Flyderbur
4. Tekstfilter 5. Tank

FUNKTIONSBESKRIVELSE

⚠FORSIGTIG: Sørg altid for, at apparatet er slukket, og at akkuerne er afmonteret, før du justerer eller kontrollerer funktionen på apparatet.

Isætning eller fjernelse af akkuen

⚠FORSIGTIG: Sluk altid for apparatet, før du monterer eller afmonterer akkuer.

⚠FORSIGTIG: Hold godt fast i støvsugeren og akkuerne, når du monterer eller afmonterer akkuerne. Hvis du ikke gør det, kan det medføre, at de glider ud af hænderne, hvilket kan medføre beskadigelse af støvsugeren og akkuerne eller personskade.

⚠FORSIGTIG: Pas på ikke at få fingrene i klemme, når du åbner eller lukker batteridækslet. Hvis du ikke gør dette, kan det medføre personskade.

Støvsugeren har dobbelte batteriåbninger. Med to identiske batterier parallelt kan du forlænge driftstiden i en eller flere anvendelser uden at skulle stoppe for at genoplade batterierne. Støvsugeren fungerer også med et enkelt batteri, så du kan vælge mellem to batterier eller et enkelt batteri, afhængigt af dine behov.

- Fig.2: 1. Venstre batteriåbning 2. Højre batteriåbning

Med dobbeltbatterier

Kontinuerlig kørsel med to batterier giver længere driftstid og mere effektiv rengøring. Når det første batteri er ved at være tomt, skifter støvsugeren automatisk en strømkilde, så den fortsætter med at arbejde med det andet batteri.

BEMÆRK: Den venstre batteriåbning (når man har ansigtet mod støvsugerens forside) har forrang frem for den højre batteriåbning. Den højre batteriåbning identificeres kun som en strømkilde, enten når der ikke er monteret noget batteri i den venstre batteriåbning, eller batteriet i den venstre batteriåbning bliver tomt.

BEMÆRK: Du kan afmontere batteriet fra den venstre batteriåbning og genoplade det, efter at støvsugeren har skiftet strømkilde fra den venstre batteriåbning til den højre batteriåbning uden at afbryde driften. For at give prioritet tilbage til den venstre batteriåbning efter montering af et genopladet batteri, skal du genstarte støvsugeren.

Med et enkelt batteri

Der kræves kun ét batteri som strømkilde i enten venstre eller højre batteriåbning. Støvsugeren bestemmer automatisk, hvilken batteriåbning, der er tilgængelig i overensstemmelse med driftsforholdene.

Montering og afmontering

Hvis du vil montere akkuerne, skal du først frigøre låsen og åbne batteridækslet. Indsæt derefter akkuerne.

- Fig.3: 1. Lås 2. Batteridæksel

Juster tungerne på akkuerne med rillerne i batterihuset, og skub dem på plads. Indsæt dem hele vejen, indtil de låses på plads med et lille klik.

Lås derefter batteridækslet.

- Fig.4: 1. Akku 2. Knap

Hvis du vil afmontere akkuerne, skal du skubbe dem ud af batterihuset, mens du trykker på og holder knapperne foran akkuerne nede.

⚠FORSIGTIG: Sæt altid akkuen helt ind. Hvis dette ikke gøres, kan den falde ud af apparatet ved et uheld og forårsage skade på dig selv eller andre omkring dig.

⚠FORSIGTIG: Brug ikke magt ved montering af akkuen. Hvis akkuen ikke glider på plads uden problemer, betyder det, at den ikke sættes i på korrekt vis.

BEMÆRK: Når støvsugeren skifter strømkilde fra det første batteri til det andet batteri, kan det kræve en midlertidigt standsning af driften, hvilket kan medføre et mindre tab af sugning. Bemærk, at det ikke er en funktionsfejl, så støvsugeren genopretter og genoptager driften umiddelbart efter pausen.

Indikation af den resterende batteriladning

Tryk på kontrolknappen på akkuen for at få vist den resterende batteriladning. Indikatorlampen lyser i nogle sekunder.

- Fig.5: 1. Indikatorlampe 2. Kontrolknap

| Indikatorlamper | | | Resterende ladning |
|-----------------|---------|---------|-----------------------------------|
| Tændt | Slukket | Blinker | |
| ■ | □ | ▧ | 75% til 100% |
| ■ ■ ■ ■ | | | |
| ■ ■ ■ | □ | | 50% til 75% |
| ■ ■ | □ □ | | 25% til 50% |
| ■ | □ □ □ | | 0% til 25% |
| ▧ | □ □ □ | | Genoplad batteriet. |
| ■ ■ □ □ | | | Der er muligvis fejl i batteriet. |
| □ □ ■ ■ | | | |

BEMÆRK: Afhængigt af brugsforholdene og den omgivende temperatur kan indikationen afvige en smule fra den faktiske ladning.

BEMÆRK: Den første indikatorlampe (længst mod venstre) vil blinke, når batteribeskyttelsessystemet aktiveres.

Batteriindikatorer på kontrolpanelet

Den resterende batteriladning kan til enhver tid aflæses på kontrolpanelet. Tryk på kontrolknappen, og den venstre og højre indikator viser batteriets tilsvarende opladningsniveauer.

► **Fig. 6:** 1. Batteriindikatorer 2. Kontrolknop

► **Fig. 7**

| Status på batteriindikator | | | Resterende batteriladning |
|----------------------------|---------|---------|---------------------------|
| Tændt | Slukket | Blinker | |
| ■ | □ | ▧ | 50% til 100% |
| | | | |
| | | | 20% til 50% |
| | | | 0% til 20% |
| | | | Genoplad batteriet |
| | | | Batteri ikke indsat |

BEMÆRK: Batteriindikatorerne aktiveres også, når støvsugeren begynder at fungere eller skifter strømkilde fra det ene til det andet batteri.

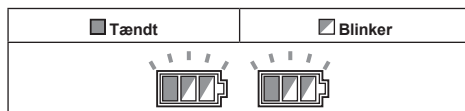
Apparat-/batteribeskyttelsessystem

Apparatet er udstyret med et apparat-/batteribeskyttelsessystem. Dette system afbryder automatisk strømmen til motoren for at forlænge apparatets og batteriets levetid. Apparatet stopper automatisk under anvendelse, hvis apparatet eller batteriet udsættes for et af følgende forhold:

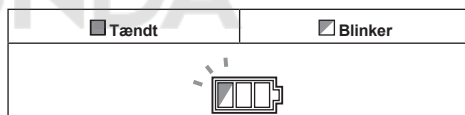
Overbelastningsbeskyttelse

Når apparatet/batteriet betjenes på en måde, der får det til at bruge unormalt meget strøm, stopper apparatet automatisk. I denne situation skal du slukke for apparatet og stoppe den anvendelse, der fik apparatet til at blive overbelastet. Tænd derefter for apparatet for at genstarte det.

Beskyttelse mod overophedning



Når apparatet er overophedet, stopper apparatet automatisk, og både venstre og højre batteriindikator blinker. I denne situation skal du lade apparatet køle af, før du tænder for apparatet igen.



Når batterierne er overophedet, stopper apparatet automatisk, og en af indikatorerne for overophedet batteri blinker. I denne situation skal du lade batteriet køle af, før du tænder for apparatet igen.

Beskyttelse mod afladning

Når batteriladningen bliver lav, stopper apparatet automatisk. Hvis apparatet ikke kører sammen med kontaktens funktion, skal du afmontere batterierne fra apparatet og genoplade dem.

Beskyttelse mod andre årsager

Beskyttelsessystemet er også designet til andre årsager, der kan beskadige apparatet og gøre det muligt for apparatet at stoppe automatisk. Træf alle følgende foranstaltninger for at fjerne årsagerne, når apparatet er blevet midlertidigt standset eller stoppet i anvendelse.

1. Sluk for apparatet, og tænd det derefter igen for at genstarte.
2. Oplad batteriet/batterierne, eller udskift det/dem med genopladet/genopladede batteri/batterier.
3. Lad apparatet og batteriet/batterierne køle af.

Hvis der ikke kan findes nogen forbedring ved at genoprette beskyttelsessystemet, skal det lokale Makita-servicecenter kontaktes.

Afbryderbetjening

Sådan tændes støvsugeren

1. Drej standby-kontakten i "I" (TIL)-positionen for at have støvsugeren klar i standbytilstand.
2. Tryk på afbryderknappen.
For at skifte tilbage til standbytilstand skal du trykke på afbryderknappen igen.

Sådan slukkes støvsugeren

Udfør et af følgende trin.

- Tryk på afbryderknappen for at sætte støvsugeren tilbage i standbytilstand, og drej derefter standby-kontakten i "O" (FRA)-positionen.
- Drej standby-kontakten i "O" (FRA)-positionen.

Sådan justeres sugestyirken

Sugestyirken kan justeres afhængigt af dit behov.

- Drej knappen til justering af sugestykke til venstre for at reducere sugestyirken.
- Drej knappen til justering af sugestykke til højre for at øge sugestyirken.

► **Fig.8:** 1. Standby-kontakt 2. Afbryderknap 3. Knap til justering af sugestykke

Automatisk sugestop under våd sugefunktion

⚠ ADVARSEL: Brug ikke i længere tid, mens flyderen fungerer. Brug af støvsugeren i længere tid, mens flyderen fungerer, kan medføre overophedning, så støvsugeren bliver deformet.

⚠ ADVARSEL: Undlad at suge skum eller sæbevand op. Det kan medføre, at der kommer skum ud af luftudgangen, før flyderen fungerer. Kontinuerlig brug under sådanne forhold kan medføre elektrisk stød, og støvsugeren kan blive ødelagt.

Funktionen til automatisk sugestop fungerer kun, når støvsugeren bruges sammen med flyderen og flyderburet.

Støvsugeren har en flydermekanisme, der forhindrer vand i at trænge ind i motoren, når der opsuges mere end en vis mængde vand. Når tanken er fuld, og støvsugeren ikke længere suger vand op, skal du slukke for støvsugeren og tømme tanken.

Låsning og oplåsning af hjul

Baghjulene kan låses med stopperer for at hjælpe støvsugeren med at stå stille.

Sænk stopperhåndtaget manuelt for at låse hjulet, og hæv det op for at frigøre det.

► **Fig.9:** 1. Hjul 2. Stopperhåndtag 3. FRI position 4. LÅST position

BEMÆRK: Sørg for at hjulet er låst op, når du flytter støvsugeren. Hvis du flytter støvsugeren med hjulet i en låst position, kan det beskadige hjulet.

Bærehåndtag

⚠ FORSIGTIG: Løft og bær apparatet med fornudden omhu. Hvis du ikke gør det, kan det resultere i personskade eller beskadigelse af apparatet.

Når du bærer støvsugeren, skal du bære den ved at holde i håndtaget på hovedenheden. Håndtaget kan trækkes tilbage på hovedenheden, når det ikke er i brug.

► **Fig.10**

SAMLING

⚠ FORSIGTIG: Sørg altid for, at apparatet er slukket, og at akkuerne er afmonteret, før du udfører nogen form for arbejde på apparatet.

⚠ FORSIGTIG: Bær altid støvmaske under samling eller vedligeholdelse.

Montering af pulverfilter (HEPA) og forfilter (til tørt støv)

Ekstraudstyr

⚠ FORSIGTIG: Opsug aldrig vand eller andre væsker eller vådt støv, når du bruger pulverfilteret. Opsugning af disse kan få pulverfilteret til at gå i stykker.

Sådan bruges pulverfilteret:

1. Løsn skruerne, der fastgør flyderburet, og afmonter derefter skruerne, flyderburet og flyderen fra hovedenheden.

► **Fig.11:** 1. Skruer 2. Flyderbur 3. Flyder 4. Hovedenhed

2. Tag tekstilfilteret ud af tanken.

► **Fig.12:** 1. Tekstilfilter 2. Tank

3. Anbring forfilteret i tanken, idet du justerer monteringspositionsmærkerne på forfilteret og tanken.

4. Sæt dæmperen i forfilteret, og anbring derefter pulverfilteret over dæmperen, idet du justerer monteringspositionsmærkerne på pulverfilteret og forfilteret.

5. Monter hovedenheden over tanken, og fastgør dem med småklåsene.

► **Fig.13:** 1. Hovedenhed 2. Pulverfilter (HEPA) 3. Dæmper 4. Forfilter 5. Tank 6. Monteringspositionsmærke

BEMÆRKNING: Før brug af pulverfilteret skal du sikre dig, at forfilteret og dæmperen altid bruges sammen. Du må ikke nøjes med kun at montere pulverfilteret.

Montering af vandfilter

Ekstraudstyr

BEMÆRKNING: Opsug aldrig vand eller vådt støv uden flyderen og tekstilfilteret eller vandfilteret.

BEMÆRKNING: Ved opugning af vådt støv skal du sikre dig, at flyderburet og flyderen er monteret på støvsugeren.

BEMÆRKNING: Ved montering af vandfilteret på tanken skal du sætte det stramt på tankens åbning, så krogen på vandfilteret griber fast i tankens åbning, og der ikke er noget mellemrum mellem vandfilteret og tanken.

Hvis du kun vil suge vand eller vådt støv op, er vandfilteret bedre egnet til formålet end tekstilfilteret. Ved montering af vandfilteret skal du justere det monteringspositionsmærke i forhold til mærket på tanken.

► **Fig.14:** 1. Vandfilter 2. Tank
3. Monteringspositionsmærke

BEMÆRK: Det anbefales at bruge et vandfilter, hvis du ofte suger store mængder vand op. Ellers kan sugeevnen reduceres, hvis der anvendes et tekstilfilter.

Montering af papirpakke

Ekstraudstyr

⚠ ADVARSEL: Før du bruger en papirpakke, skal du sørge for, at tekstilfilteret eller forfilteret bruges sammen. Hvis tekstilfilteret/forfilteret ikke bruges sammen, kan det medføre usædvanlig støj og varme, hvilket kan resultere i brand.

BEMÆRKNING: Opsug aldrig vand eller andre væsker eller vådt støv, når du bruger en papirpakke. Opsugning af sådanne ting kan medføre, at papirpakken går i stykker.

BEMÆRKNING: Når du bruger tekstilfilteret, skal du sørge for, at flyderen og flyderburet er fastgjort til hovedenheden.

BEMÆRKNING: Når du anvender forfilteret, skal du sikre dig, at pulverfilteret og dæmperen bruges sammen.

1. Fold en papirpakke ud.
 2. Juster papirpakkens åbning med tankens støvindtag.
 3. Monter papirpakken i tanken med papåbningen fastgjort til papirpakkeholderen.
- **Fig.15:** 1. Papirpakke 2. Papåbning
3. Papirpakkeholder 4. Støvindtag

Montering af polyætylenpose

Med en polyætylenpose monteret i tanken kan du let tømme tanken uden at hænderne bliver snavsede.

Læg en polyætylenpose over tanken, og skub den ene side af posens øverste kant i den åbne ende ind mellem holderpladen og tankens forvæg.

► **Fig.16:** 1. Holderplade 2. Tankens forvæg
3. Polyætylenpose

For del posens andre øverste kanter udad over tankens øverste kanter. Anbring tekstilfilteret eller forfilteret over polyætylenposen for at fastgøre posens åbning forsvarligt.

► **Fig.17:** 1. Tekstilfilter/forfilter

BEMÆRK: Der kan bruges en polyætylenpose, som er tilgængelig på markedet. Det anbefales at bruge en, der er 0,04 mm tyk eller tykkere.

BEMÆRK: For meget støv kan nemt få posen til at gå i stykker, så sug ikke mere støv op end halvdelen af posens kapacitet.

Tømning af tank med polyætylenpose

⚠ ADVARSEL: Sørg altid for, at støvsugeren er slukket, og at akkuerne er afmonteret, før tanken tømmes. Hvis dette ikke gøres, kan det medføre elektrisk stød og alvorlig personskade.

BEMÆRKNING: Slå ikke hårdt imod flyderburet og tanken. Hårde stød kan medføre deformation og beskadigelse af delene.

BEMÆRKNING: Tøm tanken mindst én gang om dagen, selvom dette afhænger af mængden af opsugt støv i tanken. Ellers reduceres sugestyren, og motoren kan gå i stykker.

BEMÆRKNING: Undlad at tage fat i krogene eller låsene, når tanken tømmes. Hvis du tager fat i krogene eller låsene, kan de gå i stykker.

Løsn smæklåsene, og løft hovedenheden op af tanken. Ryst støvet af tekstilfilteret eller forfilteret, før filteret løftes væk fra tanken.

Tag derefter polyætylenposen ud af tanken, mens du lukker posens åbning manuelt.

► **Fig.18:** 1. Polyætylenpose 2. Tank

BEMÆRK: Tag polyætylenposen forsigtigt ud af tanken for at undgå, at den bliver ridset og revet af kanterne inde i tanken.

BEMÆRK: Tøm polyætylenposen, før den bliver fuld. For meget støv i tanken kan medføre, at polyætylenposen går i stykker.

Montering af multikrog

Brug multikrogen til at holde en slange, udstyr og tilbehør, der ikke er i brug, på plads, og du kan hurtigt tage dem ud efter behov.

► **Fig.19**

Anbring multikrogen over monteringsbasen bag på støvsugeren, og sæt skinnerne på multikrogen langs rillerne på monteringsbasen.

► **Fig.20:** 1. Multikrog 2. Monteringsbase

Montering af MAKPAC-adapter

Ekstraudstyr

MAKPAC-opbevaringskasser, der kan tilsluttes og stables, kan monteres oven på støvsugeren med en valgfri adapter. Kasserne fås i mange størrelser og stilarter, der passer til dine behov.

Anbring monteringsbasekrogen over støvsugerens håndtag med monteringsoverfladen opad, når håndtaget er foldet ind i den lukkede position.

- **Fig.21:** 1. Monteringsbasekrog
2. Monteringsoverflade 3. Håndtag

Monter MAKPAC-adapteren på monteringsbasekrogen, og fastgør dem sammen med fire medfølgende skruer.

- **Fig.22:** 1. MAKPAC-adapter 2. Monteringsbasekrog
3. Skruer

Løft skubbestangen op, og tilspænd knappen for at forberede monteringen af MAKPAC-kasserne på støvsugeren.

- **Fig.23:** 1. Skubbestang 2. Knap

BEMÆRK: For oplysninger om montering af MAKPAC-kasserne, se instruktionerne, der følger med MAKPAC-adapteren og kasserne.

Montering af slange

BEMÆRKNING: Der må aldrig bruges magt på slangen for at bøje den, og der må aldrig trædes på den. Støvsugeren må aldrig flyttes ved at trække i slangen. Hvis der bruges magt på slangen, hvis der trædes på den eller hvis der trækkes den, kan det forårsage brud eller deformation af slangen.

BEMÆRKNING: Ved opsugning af store stykker affald som f.eks. høvlspåner, betonstøv eller lignende andet end små stykker affald skal du bruge en slange med en indvendig diameter på 38 mm (ekstraudstyr). Brug af slangen med indvendig diameter på 28 mm (ekstraudstyr) kan medføre forstoppelse i slangen og beskadigelse.

Tilslutning til støvsuger

Indsæt slangeenden på støvindtaget (slangeindløbet) på støvsugeren, drej den derefter med uret, indtil den låser på plads.

- **Fig.24:** 1. Slange 2. Støvindtag (slangeindløb)

Tilslutning til arbejdsredskaberne (Landespecifik)

Ved at tilslutte støvsugeren til alle tilgængelige arbejdsredskaber, der er kompatible med støvsugeren, fungerer den som en støvudsuger til maskinværktøjerne.

Vælg en af de forreste manchetter eller samlinger (ekstraudstyr), der passer bedst til maskinmodellen. Anbring manchetterne eller samlingen efter behov mellem forenden af støvsugerslangen og en støvudtræksport på maskinen.

- **Fig.25:** 1. Forreste manchetter eller samling
2. Støvsugerslange 3. Maskinværktøj
4. Støvsuger

Montering eller afmontering af støvsugertilbehør

⚠FORSIGTIG: Efter du har monteret et tilbehør, skal du kontrollere, om det sidder forsvarligt fast. Hvis tilbehøret er ufuldstændigt monteret, kan det gå løs og forårsage personskade.

Når du bruger tilbehør uden låsefunktion

Ekstraudstyr

Indsæt et tilbehør i støvsugerens sugeåbning ved at skubbe og skrue det på plads med hånden. Drej tilbehøret med hånden, og træk det væk fra sugeåbningen efter brug.

- **Fig.26**

Tilbehør med låsefunktion

Ekstraudstyr

BEMÆRKNING: Når du monterer tilbehøret med låsefunktion, skal du sørge for at justere udløserknappen med krogen på tilbehøret. Hvis de ikke er justeret, vil tilbehøret ikke blive låst og kan løsne sig fra støvsugeren.

Indsæt et tilbehør i støvsugerens sugeåbning ved at skubbe dem sammen med et klik. Hvis du vil afmontere tilbehøret, skal du trække det af, mens du trykker på udløserknappen.

- **Fig.27:** 1. Sugeåbning med låsefunktion
2. Udløserknap 3. Tilbehør med låsefunktion

BEMÆRK: Et tilbehør med låsefunktion kan kun monteres i sugeåbningen med låsefunktion.

- **Fig.28:** 1. Tilbehør med låsefunktion 2. Sugeåbning med låsefunktion 3. Sugeåbning uden låsefunktion

Justering af længderne på forlængerrør af glidetypen

Ekstraudstyr

Et forlængerrør af glidetypen kan kombineres i kortere og længere længder. Det gør det muligt at rengøre områder, der er svære at nå, og foretage komfortable placeringer.

Træk gliderøret ind og ud for at ændre længden på forlængerrøret, mens du trykker på og holder glideknappen nede. Slip glideknappen for at låse gliderøret i den ønskede position.

- **Fig.29:** 1. Gliderør 2. Glideknap

VEDLIGEHOJDELSE

⚠FORSIGTIG: Sørq altid før, at apparatet er slukket, og at akkuerne er afmonteret, før du forsøger at udføre inspektion eller vedligeholdelse.

BEMÆRKNING: Anvend aldrig benzin, rensebenzin, fortynder, alkohol og lignende. Det kan medføre misfarvning, deformation eller revner.

Før at opretholde produktets SIKKERHED og PÅLIDELIGHED må reparation, vedligeholdelse eller justering kun udføres af et autoriseret Makita servicecenter eller fabrikksservicecenter med anvendelse af Makita reservedele.

Opbevaring af tilbehør

Tilbehør og udstyr, der ikke er i brug, såsom mundstykker og børster, kan fastgøres og opbevares i multikroqen bag på støvsugeren.

► **Fig.30:** 1. Multikroq 2. Tilbehør og udstyr, der ikke er i brug

Rør (med en valgfri stopper monteret) kan anbringes i rørholderen, når støvsugeren ikke bruges i kort tid.

► **Fig.31:** 1. Stopper (ekstraudstyr) 2. Rørholder

En slange kan vikles og opbevares omkring støvsugerens hus eller håndtag i store løkker. Tilslut begge ender sammen for at lave løkker, og hæng løkkerne fast i det løftede håndtag. Alternativt kan rodenden holdes monteret i slangeindløbet og hæng løkkerne på multikroqen med den løse ende bundet.

► **Fig.32**

► **Fig.33**

Rengøring af tekstilfilteret

Rengør tekstilfilteret med jævne mellemrum, da et tilstoppet tekstilfilter kan resultere i dårlig sugeevne.

Tør og ryst støv af tekstilfilteret i hånden lejlighedsvis.

► **Fig.34:** 1. Tekstilfilter

Rengøring af pulverfilteret (HEPA) og forfilteret

Ekstraudstyr

Rengør pulverfilteret, forfilteret og dæmperen med jævne mellemrum, da tilstoppede filtre og dæmpere kan resultere i dårlig sugeevne.

Tør og ryst støv af filtre og dæmper med hånden med jævne mellemrum.

Vask af og til pulverfilteret i vand, skyl og tør det grundigt i skyggen før brug. Vask aldrig filtre i en vaskemaskine.

► **Fig.35**

BEMÆRK: Undlad at gnubbe eller ridse pulverfilteret, forfilteret eller dæmperen med hårde genstande som f.eks. en børste og et banketræ.

BEMÆRK: Filtrene slides op i tidens løb. Det anbefales at have reservefiltre liggende.

EKSTRAUDSTYR

⚠FORSIGTIG: Det følgende tilbehør og ekstraudstyr er anbefalet til brug med Deres Makita maskine, der er beskrevet i denne brugsanvisning. Anvendelse af andet tilbehør eller ekstraudstyr kan udgøre en risiko for personskade. Anvend kun tilbehør og ekstraudstyr til det beskrevne formål.

Hvis De behøver hjælp ved valg af tilbehør eller ønsker yderligere informationer, bedes De kontakte Deres lokale Makita servicecenter.

- Slange
- Forreste manchetter (22, 24, 38)
- Lige rør
- Forlængerrør
- Hjørnemundstykker
- Rund børste
- Pulverfilter, HEPA (til tørt støv)
- Dæmper
- Forfilter
- Vandfilter
- Tekstilfilter
- Mundstykkeomtoning
- Bøjet rør
- Polyætylenpose
- Papirpakke
- MAK-PAC-adapter
- Original Makita-akku og oplader

BEMÆRK: Nogle ting på denne liste kan være inkluderet i værktøjspakken som standardtilbehør. Det kan være forskellige fra land til land.

BRĪDINĀJUMS

- Šo mašīnu nav paredzēts izmantot personām (tostarp bērniem) ar samazinātām fiziskām, maņu vai garīgām spējām vai personām bez pieredzes un zināšanām.
- Bērni ir jāuzrauga, lai tie nerotaļātos ar ierīci.
- Lai uzzinātu akumulatora tipu, skatiet nodaļu „TEHNISKIE DATI”.
- Lai uzzinātu, kā uzstādīt vai izņemt akumulatoru, skatiet sadaļu „Akumulatora kasetnes uzstādīšana un izņemšana”.
- Lai utilizētu akumulatora kasetni, izņemiet to darbarīka un likvidējiet drošā vietā. Ievērojiet vietējos noteikumus par akumulatoru likvidēšanu.
- Ja darbarīks netiks lietots ilgu laiku, no tā jāizņem akumulators.
- Neradiet akumulatora kasetnes īssavienojumu.
- Informāciju par atbilstošiem piesardzības pasākumiem apkopes darbu laikā skatiet nodaļā „APKOPE”.

SPECIFIKĀCIJAS

| Modelis: | VC001GL | VC003GL |
|--|--|--------------------------|
| Standarta filtra veids | Auduma filtrs (sausiem un mitriem putekļiem) | |
| Maksimālais gaisa apjoms (izmantojot BL4040, ø32 mm x 1,7 m šļūteni) | 2,7 m ³ /min | |
| Putekļsūcējs (ar BL4040, ø32 mm x 1,7 m šļūteni) | 23 kPa | |
| Atgūstamais tilpums | Putekļi | 15 l |
| | Ūdens | 12 l |
| Izmēri (G x P x A) | 366 mm x 334 mm x 425 mm | 366 mm x 334 mm x 475 mm |
| Nominālais spriegums | Līdzstrāva 36 V–40 V maks. | |
| Tīrsvars | 8,1–11,2 kg | 8,4–11,5 kg |
| Aizsardzības pakāpe | IPX4 | |

- Nepārtrauktās izpētes un izstrādes programmas dēļ šeit uzrādītās specifikācijas var tikt mainītas bez brīdinājuma.
- Specifikācijas un akumulatora kasetne var atšķirties dažādās valstīs.
- Svarā nav iekļauti piederumi, bet tikai akumulatora kasetne(-s). Vieglākais un smagākais ierīces un akumulatora kasetnes(-ņu) kopējais svars ir norādīts tabulā.
- Darbā ar mitriem putekļiem ir nepieciešams pludiņš un ūdens filtrs vai auduma filtrs.

Piemērotā akumulatora kasetne un lādētājs

| | |
|---------------------|---|
| Akumulatora kasetne | BL4020 / BL4025 / BL4040* / BL4050F* / BL4080F* *: leteicamais akumulators |
| Lādētājs | DC40RA / DC40RB / DC40RC |

- Daži no iepriekš norādītajiem lādētājiem un akumulatora kasetnēm var nebūt pieejami atkarībā no jūsu mītnes reģiona.

▲BRĪDINĀJUMS: Izmantojiet vienīgi iepriekš norādītās akumulatora kasetnes un lādētājus. Cita tipa akumulatora kasetņu un lādētāju izmantošana var radīt traumu un/vai aizdegšanās risku.

Simboli

Tālāk ir attēloti simboli, kas var attiekties uz darbarīka lietošanu. Pirms darbarīka izmantošanas pārliecinieties, vai pareizi izprotat to nozīmi.



Izlasiet lietošanas rokasgrāmatu.



Esiet īpaši rūpīgs un uzmanīgs.



Brīdinājums! Putekļsūcējā var būt kaitīgi putekļi.



Nekad nestāviet uz putekļsūcēja.



Putekļu klase L (viegli). Putekļsūcēji ir spējīgi savākt L putekļu klases putekļus. Ievērojiet savā valstī spēkā esošos noteikumus attiecībā uz putekļiem un veselības aizsardzību un drošību darbā.



Tikai ES valstīm
Tā kā šajā aprīkojumā ir bīstamas sastāvdaļas, elektrisko un elektronisko iekārtu, akumulatoru un bateriju atkritumi var negatīvi ietekmēt apkārtējo vidi un cilvēka veselību. Elektroierīces, elektroniskās ierīces un akumulatorus nedrīkst izņemt kopā ar mājsaimeniecības atkritumiem!
Saskaņā ar Eiropas direktīvu par elektrisko un elektronisko iekārtu atkritumiem, akumulatoriem un baterijām, kā arī akumulatoru un bateriju atkritumiem un šīs direktīvas pielikumu valsts tiesību aktiem elektrisko un elektronisko iekārtu, bateriju un akumulatoru atkritumi ir jāglabā atsevišķi un jānogādā uz sadzīves atkritumu dalītās savākšanas vietu, ievērojot attiecīgos vides aizsardzības noteikumus.
Par to liecina uz iekārtas redzams simbols ar pārsvītrotu atkritumu konteineru uz rītniem.

Paredzētā lietošana

Ierīce ir paredzēta gan mitru, gan sausu putekļu savākšanai. Ierīce ir piemērota komerciālai lietošanai, piemēram, viesnīcās, skolās, slimnīcās, rūpnīcās, veikalos, birojos, kā arī iznomāšanai.

Trokšņa līmenis

Tipiskais A svērtais trokšņa līmenis noteikts saskaņā ar EN60335-2-69:

Modelis VC001GL

Skaņas spiediena līmeni (L_{pA}): 70 dB (A) vai mazāk
Mainīgums (K): 2,5 dB (A)

Modelis VC003GL

Skaņas spiediena līmeni (L_{pA}): 70 dB (A) vai mazāk
Mainīgums (K): 2,5 dB (A)

Darbības laikā trokšņa līmenis var pārsniegt 80 dB (A).

PIEZĪME: Paziņotā trokšņa emisijas vērtība noteikta atbilstoši standartā pārbaudes metodei, un to var izmantot, lai salīdzinātu vienu darbarīku ar citu.

PIEZĪME: Paziņoto trokšņa emisijas vērtību arī var izmantot iedarbības sākotnējā novērtējumā.

▲BRĪDINĀJUMS: Lietojiet asu aizsargus.

▲BRĪDINĀJUMS: Trokšņa emisija patiesos darba apstākļos var atšķirties no paziņotās vērtības atkarībā no darbarīka izmantošanas veida un jo īpaši atkarībā no apstrādājamā materiāla veida.

▲BRĪDINĀJUMS: Lai aizsargātu lietotāju, nosakiet drošības pasākumus, kas pamatoti ar iedarbību reālos darba apstākļos (ņemot vērā visus ekspluatācijas cikla posmus, piemēram, laiku, kamēr darbarīks ir izslēgts un kad darbojas tukšgaitā, kā arī palaides laiku).

Vibrācija

Vibrācijas kopējā vērtība (trīsasu vektora summa) noteikta atbilstoši EN60335-2-69:

Modelis VC001GL

Vibrācijas emisija ($a_{h,M}$): 2,5 m/s² vai mazāk
Mainīgums (K): 1,5 m/s²

Modelis VC003GL

Vibrācijas emisija ($a_{h,M}$): 2,5 m/s² vai mazāk
Mainīgums (K): 1,5 m/s²

PIEZĪME: Paziņotā kopējā vibrācijas vērtība noteikta atbilstoši standartā pārbaudes metodei, un to var izmantot, lai salīdzinātu vienu darbarīku ar citu.

PIEZĪME: Paziņoto kopējo vibrācijas vērtību arī var izmantot iedarbības sākotnējā novērtējumā.

▲BRĪDINĀJUMS: Vibrācijas emisija patiesos darba apstākļos var atšķirties no paziņotās vērtības atkarībā no darbarīka izmantošanas veida un jo īpaši atkarībā no apstrādājamā materiāla veida.

▲BRĪDINĀJUMS: Lai aizsargātu lietotāju, nosakiet drošības pasākumus, kas pamatoti ar iedarbību reālos darba apstākļos (ņemot vērā visus ekspluatācijas cikla posmus, piemēram, laiku, kamēr darbarīks ir izslēgts un kad darbojas tukšgaitā, kā arī palaides laiku).

EK atbilstības deklarācija

Tikai Eiropas valstīm

EK atbilstības deklarācija šajā lietošanas rokasgrāmatā ir iekļauta kā A pielikums.

DROŠĪBAS BRĪDINĀJUMI

Drošības brīdinājumi bezvadu putekļsūcēja lietošanai

▲BRĪDINĀJUMS: SVARĪGI! PIRMS LIETOŠANAS UZMANĪGI IZLASIET visus drošības brīdinājumus un visus norādījumus. Brīdinājumu un norādījumu neievērošanas gadījumā var rasties elektrotrauma, aizdegšanās un/vai smagas traumas.

1. Pirms lietošanas pārliecinieties, ka lietotājs ir pienācīgi apmācīts šā putekļu sūcēja lietošanā.
2. Pirms darbarīka izmantošanas operatoriem ir jāsaņem informācija, norādes un apmācība par darbarīka lietošanu un par vielām, kuras drīkst savākt ar darbarīku, kā arī par drošu metodi, kā izņemt un likvidēt savāktās vielas.
3. Ja izplūst putas/šķidrums, nekavējoties izslēdziet.
4. Regulāri tīriet ūdens līmeņa ierobežotāju un pārbaudiet, vai tas nav bojāts.
5. Pirms ierīces izmantošanas vienmēr pārbaudiet, vai filtri ir uzstādīti pareizi. Neizmantojiet putekļsūcēju, ja nav ievietoti filtri. Nekavējoties nomainiet bojātu filtru. Iesakām rezervē glabāt dažus filtrus, jo tie nolietojas.
6. NEPIELĀUJIET NEJAUŠU IEDARBINĀŠANU. Akumulatora(-) ievietošanas laikā slēdzim jābūt izslēgtam (OFF).
7. Nemēģiniet savākt ugunsnedrošus priekšmetus, piemēram, ugunošanas raķetes, degošas cigaretes, karstus pelnus, karstas metāla skaidas, kā arī asus priekšmetus, piemēram, žiletas, saplēstu stiklu u. c.

8. **NEKĀDĀ GADĪJUMĀ NEIZMANTOJIET PUTEKĻU SŪCĒJU, JA TUVUMĀ ATRODAS DEGVIELA, GĀZE, KRĀSA, LĪME VAI CITAS VIELAS AR AUGSTU SPRĀDZIENBĪSTAMĪBU.** Slēdzī ieslēdzot (ON) vai izslēdzot (OFF), rodas dzirksteles. Dzirksteles rodas arī no motora kolektora darbības laikā. Tas var izraisīt bīstamu sprādzienu.
 9. Nekad neiesūciet toksiskus, kancerogēnus, ugunsnedrošus vai citus kaitīgus materiālus, piemēram, azbestu, arsēnu, bāriju, beriliju, svīnu, pesticīdus vai citus materiālus, kas apdraud veselību.
 10. Vienmēr novietojiet putekļu sūcēju uz horizontālas plakanas virsmas, lai novērstu tā nokrišanu vai neparedzētu pārvietošanos.
 11. Nekādā gadījumā neizmantojiet putekļu sūcēju ārpus telpām lietū.
 12. Šo iekārtu Somijā nedrīkst lietot ārpus telpām zemā temperatūrā.
 13. Nelietojiet siltuma avotu (piem., krāsas u. c.) tuvumā.
 14. Ja izplūdes gaiss nonāk atpakaļ telpā, jāgādā par pietiekamu telpas gaisa ventilāciju. Nepieciešams atsaukties uz valsts normatīviem.
 15. Neaizsprostojiet iesūkšanas/pūšanas/dzesēšanas atveres. Šīs atveres dzesē motoru. Īpaši uzmanieties, lai neveidotos nosprostojums, citādi motors sadegs ventilācijas trūkuma dēļ.
 16. Vienmēr stingri stāviet uz droša pamata, saglabājot līdzsvaru.
 17. Nelokiet, neraujiet šūteni un nekāpiet tai virsū.
 18. Ja izmantošanas laikā ierīce nedarbojas pareizi vai pamanāt jebkādas novirzes, nekavējoties izslēdziet putekļu sūcēju.
 19. **IZŅEMIET AKUMULATORU(-US).** Ja ierīci neizmantojat, pirms tās tehniskās apkopes un piederumu maiņas.
 20. Tīriet un apkopiet putekļu sūcēju uzreiz pēc katras lietošanas reizes, lai uzturētu to ideālā lietošanas kārtībā.
 21. **APKOPIET PUTEKĻU SŪCĒJU RŪPĪGI.** Uzturiet putekļu sūcēju tīru, lai tas darbotos labi un droši. Ievērojiet piederumu maiņas norādījumus. Uzturiet rokturus sausus un tīrus; rūpējieties, lai uz tiem nebūtu eļļas un smērvielu.
 22. **PĀRBAUDIET, VAI NAV BOJĀTU DAĻU.** Pirms turpināt lietot ierīci, aizsargu vai citu daļu, kas bijusi bojāta, rūpīgi pārbaudiet, lai noteiktu, vai tā pareizi darbosies un izpildīs savas funkcijas. Pārbaudiet, vai kustīgās daļas ir pareizi savīzītas, brīvi kustas, nav salīzušas; pārbaudiet to stiprinājumus un citus apstākļus, kas var ietekmēt putekļu sūcēja darbību. Bojātais aizsargs vai citas daļas jāmaina vai jāremontē pilnvarotā apkopes centrā, ja vien šajā lietošanas rokasgrāmatā nav norādīts citādi. Bojātus slēdzus nomainiet pilnvarotā apkopes centrā. Neizmantojiet putekļu sūcēju, ja ar slēdzi to nevar ieslēgt un izslēgt.
 23. Lietotāju apkalpošanai iekārta jāizjauca, jāiztīra un tai jāveic apkope, ciktāl tas ir praktiski iespējams, neradot risku apkopes darbiniekiem un citām personām.
 24. Ražotājam vai apmācītai personai vismaz reizi gadā jāveic darbarīka tehniskā apskate, tajā jāpārbauda, vai filtri nav bojāti, vai darbarīks ir hermētiski noslēgts un vai vadības mehānisms ir labā darba kārtībā.
 25. Veicot tehniskās apkopes vai remonta darbus, visi piesārņotie priekšmeti, ko nav iespējams pienācīgi notīrīt, ir jālikvidē; šādi priekšmeti ir jālikvidē necaurlaidīgos maisos atbilstīgi pašreiz jūsu valstī spēkā esošajai regulai par šādu atkritumu likvidēšanu.
 26. **REZERVES DAĻAS.** Veicot apkopi, izmantojiet tikai oriģinālās rezerves daļas.
 27. **NEIZMANTOTA PUTEKĻU SŪCĒJA UZGLABĀŠANA.** Ja putekļu sūcēju neizmantojat, tas jāuzglabā iekšstelpās.
 28. Mitrie filtri no šķidruma trauka iekšpusē pirms glabāšanas jāizžāvē.
 29. Sautējiet putekļu sūcēju. Nevīzīgi izturoties, var sabojāt pat vizitūrīgāko putekļu sūcēju.
 30. Netīriet ierīces ārpusi un iekšpusi ar benzīnu, šķīdinātāju vai citām tīrīšanas ķīmikālijām. Tas var radīt plaisas un izbalēšanu.
 31. Neizmantojiet putekļu sūcēju ierobežotā vietā, kur izdalās viegli uzliesmojoši, eksplozīvi vai toksiski izgarojumi no eļļas krāsas, krāsas šķīdinātāja, degvielas, dažiem pretkožu līdzekļiem u. c., vai vietās, kur ir ugunsnedroši putekļi.
 32. Nelietojiet šo vai citas ierīces, ja esat narkotisko vielu vai alkohola ietekmē.
 33. Galvenais drošības noteikums ir aizsargbrīļļu vai aizsargbrīļļu ar sānu aizsargiem lietošana.
 34. Putekļainos apstākļos izmantojiet putekļu masku.
 35. Šo mašīnu nav paredzēts izmantot personām (tostarp bērniem) ar samazinātām fiziskām, maņu vai garīgām spējām vai personām bez pieredzes un zināšanām.
 36. Bērni ir jāuzrauga, lai tie nerotaļātos ar ierīci.
 37. Neņemiet akumulatoru(-us) vai putekļsūcēju ar mitrām rokām.
 38. Īpaši uzmanieties, tīrot uz kāpnēm.
 39. Neizmantojiet putekļu sūcēju kā pakāpienu vai darbagaidu. Mašīna var nokrist un radīt traumas.
- Bezvada darbarīka lietošana un apkope**
1. Uzlādei izmantojiet tikai ražotāja norādītos lādētājus. Vienam akumulatoru tipam paredzēta uzlādētāja izmantošana cita tipa akumulatoru uzlādei var radīt aizdegšanās bīstamību.
 2. Izmantojiet mehānizētos darbarīkus tikai ar paredzētajiem akumulatoriem. Jebkura cita tipa akumulatoru izmantošana var radīt traumu un aizdegšanās bīstamību.
 3. Kamēr akumulators netiek izmantots, neturiet to blakus metāla priekšmetiem, piemēram, saspraudēm, monētām, atslēgām, naglām, skrūvēm un citiem nelieliem metāla priekšmetiem, kas var savienot izvadus. Akumulatora spaiļu īssavienojums var izraisīt apdegumus vai aizdegšanos.

4. **Nepareizas lietošanas gadījumā no akumulatora var iztectēt šķidrums, nepieskarieties tam. Ja nejausi pieskārties šķidrumam, noskalojiet skarto vietu ar ūdeni. Ja šķidrums nokļūst acīs, papildus iepriekš minētajam, vērsieties pie ārsta.** No akumulatora iztecejušais šķidrums var izraisīt kairinājumu vai apdegumus.
5. **Ja akumulatora bloks vai darbarīks ir bojāts vai pārveidots, nelietojiet to.** Bojāti vai pārveidoti akumulatori var darboties nepareizi, izraisot aizdegšanos, sprādzienu vai traumu.
6. **Akumulatora bloku un darbarīku nepakļaujiet uguns un pārmērīgi augstas temperatūras ietekmei.** Ja akumulatora bloks vai darbarīks tiek pakļauts uguns vai par 130 °C augstākas temperatūras iedarbībai, var notikt sprādziens.
7. **Izpildiet visus uzlādes norādījumus un neuzlādējiet akumulatora bloku ārpus norādītajos noteiktā temperatūras diapazona.** Nepareiza uzlāde vai temperatūra, kas ir ārpus noteiktā diapazona, var sabojāt akumulatoru un palielināt aizdegšanās draudus.
7. **Nedeziniet akumulatora kasetni, pat ja tā ir stipri bojāta vai pilnībā nolietota.** Akumulatora kasetne uguni var eksplodēt.
8. **Akumulatora kasetni nedrīkst naglot, griezt, saspīest, mest vai nomest, kā arī pa to nedrīkst sist ar cietu priekšmetu.** Šādas darbības var izraisīt aizdegšanos, pārmērīgu karstumu vai sprādzienu.
9. **Neizmantojiet bojātu akumulatoru.**
10. **Uz izmantotajiem litiņa jonu akumulatoriem attiecas likumdošanas prasības par bīstamiem izstrādājumiem.** Komerציālā transportēšanā, ko veic, piemēram, trešās puses, transporta uzņēmumi, jāievēro uz iesaiņojuma un marķējuma norādītās īpašas prasības. Lai izstrādājumu sagatavotu nosūtīšanai, jāsažinās ar bīstamo materiālu speciālistu. Ievērojiet arī citus attiecināmos valsts normatīvus. Vaļējus kontaktus nosedziet ar līmlenti vai citādi pārklājiet, bet akumulatoru iesaiņojiet tā, lai sānīt tas nevarētu izkustēties.

SAGLABĀJIET ŠOS NORĀDĪJUMUS.

▲BRĪDINĀJUMS: NEPIELĀUJIET to, ka labu iemaņu vai izstrādājuma labas pārzināšanas (darbarīku atkārtoti ekspluatējot) rezultātā vairs stingri neievērojāt šīs izstrādājuma drošības noteikumus. **NEPAREIZI LIETOJOT** darbarīku vai neievērojot šajā instrukciju rokasgrāmatā minētos drošības noteikumus, var tikt gūtas smagas traumas.

Svarīgi drošības norādījumi par akumulatora kasetni

1. **Pirms akumulatora lietošanas izlasiet visus norādījumus un brīdinājumus, kuri attiecas uz (1) akumulatora lādētāju, (2) akumulatoru un (3) ierīci, kurā tiek izmantots akumulators.**
2. **Akumulatora kasetni nedrīkst ne pārveidot, ne izjaukt.** Citādi var tikt izraisīta aizdegšanās, pārmērīgs karstums vai sprādziens.
3. **Ja akumulatora darbības laiks kļūva ievērojami īsāks, nekavējoties pārtrauciet to izmantot. Citādi, tas var izraisīt pārkarsējumu, uzliesmojumu vai pat sprādzienu.**
4. **Ja elektrolīts nonāk acīs, izskalojiet tās ar tīru ūdeni un nekavējoties griezieties pie ārsta.** Tas var izraisīt redzes zaudēšanu.
5. **Neradiet īssavienojumu akumulatora kasetnē:**
 - (1) **Nepieskarieties spaiļēm ar elektrību vadošiem materiāliem.**
 - (2) **Neuzglabājiet akumulatoru kasetni kopā ar citiem metāla priekšmetiem, tādiem kā naglas, monētas u. c.**
 - (3) **Nepakļaujiet akumulatora kasetni ūdens vai lietus iedarbībai.****Akumulatora īssavienojums var radīt spēcīgu strāvas plūsmu, pārkaršanu, uzliesmojumu un pat sabojāt akumulatoru.**
6. **Neglabājiet un neizmantojiet darbarīku un akumulatora kasetni vietās, kur temperatūra var sasniegt vai pārsniegt 50 °C (122 °F).**
11. **Lai utilizētu akumulatora kasetni, izņemiet to no darbarīka un likvidējiet drošā vietā.** Ievērojiet vietējos noteikumus par akumulatora likvidēšanu.
12. **Izmantojiet šos akumulatorus tikai ar izstrādājumiem, kurus norādījis Makita.** Ievietojot šos akumulatorus nesaderīgos izstrādājumos, var rasties ugunsgrēks, pārmērīgs karstums, tie var uzsprāgt vai no tiem var iztectēt elektrolīts.
13. **Ja darbarīks netiks lietots ilgu laiku, no tā jāizņem akumulators.**
14. **Lietošanas laikā vai pēc tās akumulatora kasetne var uzkrāt siltumu, kas var izraisīt apdegumus vai zemas temperatūras apdegumus.** Ar karstu akumulatora kasetni apejieties rūpīgi.
15. **Nepieskarieties darbarīka izvadam uzreiz pēc lietošanas, jo tas var būt sakarsis un izraisīt apdegumus.**
16. **Neļaujiet akumulatora kasetnes spaiļēs, atverēs un rievās uzkrāties skaidām, putekļiem vai netīrumiem.** Tas var izraisīt sasilšanu, aizdegšanos, sprādzienu instrumenta vai akumulatora kasetnes nepareizu darbību, un lietotājs var gūt apdegumus vai ievainojumus.
17. **Neizmantojiet akumulatora kasetni augstsprieguma līniju tuvumā, izņemot gadījumus, kad darbarīks ir piemērots lietošanai augstsprieguma līniju tuvumā.** Citādi darbarīks vai akumulatora kasetne var sākt darboties nepareizi vai tikt sabojāti.
18. **Glabājiet akumulatoru bērniem nepieejamā vietā.**

SAGLABĀJIET ŠOS NORĀDĪJUMUS.

▲UZMANĪBU: Lietojiet tikai oriģinālos Makita akumulatorus. Ja lietojat neoriģinālus Makita akumulatorus vai pārveidotos akumulatorus, tie var uzsprāgt un izraisīt aizdegšanos, traumas un materiālos zaudējumus. Tīks anulēta arī Makita darbarīka un lādētāja garantija.

Ieteikumi akumulatora kalpošanas laika pagarināšanai

1. Uzlādējiet akumulatora kasetni, pirms tā ir pilnībā izlādējusies. Vienmēr, kad ievērojat, ka darbarīka darba jauda zudusi, apturiet darbarīku un uzlādējiet akumulatora kasetni.
2. Nekad neuzlādējiet pilnībā uzlādētu akumulatora kasetni. Pārmērīga uzlāde saīsina akumulatora kalpošanas laiku.
3. Uzlādējiet akumulatora kasetni istabas temperatūrā 10 °C - 40 °C. Karstai akumulatora kasetnei pirms uzlādes ļaujiet atdzist.
4. Kad akumulatora kasetne netiek izmantota, izņemiet to no darbarīka vai lādētāja.
5. Uzlādējiet litija jonu akumulatora kasetni, ja to ilgstoši nelietosīt (vairāk nekā sešus mēnešus).

DETAĻU APRAKSTS

- **Att.1:** 1. Augšdaļa 2. Pludiņš 3. Pludiņa ietvars
4. Auduma filtrs 5. Tvertne

FUNKCIJU APRAKSTS

⚠UZMANĪBU: Pirms ierīces regulēšanas vai darbības pārbaudes vienmēr pārliecinieties, ka ierīce ir izslēgta un akumulatoru kasetnes ir izņemtas.

Akumulatora kasetnes uzstādīšana un izņemšana

⚠UZMANĪBU: Vienmēr pirms akumulatoru kasetņu uzstādīšanas vai izņemšanas izslēdziet ierīci.

⚠UZMANĪBU: Uzstādot vai izņemot akumulatoru kasetnes, cieši turiet putekļsūcēju un akumulatoru kasetnes. Neievērojot šo norādījumu, šīs detaļas var izslīdēt no rokām, tādējādi izraisot putekļsūcēja un akumulatoru kasetņu bojājumus, vai radīt traumas.

⚠UZMANĪBU: Atverot vai aizverot akumulatora pārsegu, uzmanieties, lai neiespiestu pirkstus. Neievērojot šo norādījumu, ir iespējami savainojumi.

Putekļsūcējam ir divas akumulatoru atveres. Paralēli izmantojot divus vienādu akumulatorus, var paildināt ierīces izmantošanas laiku vienā vai vairākās lietošanas reizēs, un darbs nebūs jāpārtrauc, lai uzlādētu akumulatorus. Putekļsūcējs darbojas arī ar vienu akumulatoru, lai jūs atbilstoši savām vajadzībām varētu izvēlēties to izmantot ar diviem akumulatoriem vai vienu akumulatoru.

- **Att.2:** 1. Kreisā akumulatora atvere 2. Labā akumulatora atvere

Ar diviem akumulatoriem

Izmantojot putekļsūcēju ar diviem akumulatoriem nepārtrauktai darbībai, iespējams nodrošināt ilgāku lietošanas laiku un efektīvāku tīrīšanu. Ja pirmais akumulators drīz izlādēšies, putekļsūcējs automātiski pārslēdz barošanas avotu, lai turpinātu darboties ar otru akumulatoru.

PIEZĪME: Kreisā akumulatora atvere (skatoties uz putekļsūcēja priekšpusi) ir prioritāra pār labo akumulatora atveri. Labā akumulatora atvere tiks noteikta kā barošanas avots tikai tad, ja kreisajā akumulatora atverē nebūs ievietots akumulators vai ja izlādēšies akumulators kreisajā akumulatora atverē.

PIEZĪME: Pēc tam, kad putekļsūcējs ir pārslēdzis barošanas avotu no kreisās akumulatora atveres uz labo, varat, nepārtraucot darbību, izņemt un uzlādēt akumulatoru no kreisās akumulatora atveres. Lai pēc uzlādēta akumulatora ievietošanas atkal noteiktu kreiso akumulatora atveri kā prioritāro, atkārtoti ieslēdziet putekļsūcēju.

Ar vienu akumulatoru

Lai nodrošinātu barošanas avotu, nepieciešams viens akumulators kreisajā vai labajā akumulatora atverē. Putekļsūcējs atbilstoši ekspluatācijas apstākļiem automātiski nosaka, kura akumulatora atvere ir pieejama.

Uzstādīšana un noņemšana

Lai uzstādītu akumulatoru kasetnes, atbrīvojiet fiksatoru un atveriet akumulatora pārsegu. Pēc tam ievietojiet akumulatoru kasetnes.

- **Att.3:** 1. Fiksators 2. Akumulatora pārsegs

Savietojiet akumulatoru kasetņu mēlītes ar rievām akumulatoru korpusā un iebīdīt tās vietā. Ievietojiet tās līdz galam, līdz tās ar klikšķi nokļūst vietā.

Pēc tam Nofiksējiet akumulatora pārsegu.

- **Att.4:** 1. Akumulatora kasetne 2. Poga

Lai izņemtu akumulatoru kasetnes, izvelciet tās no akumulatoru korpusa, vienlaicīgi spiežot un turot kasetņu priekšpusē esošās pogas.

⚠UZMANĪBU: Akumulatora kasetni vienmēr uzstādiet pilnībā. Pretējā gadījumā tā var nejausi izkrist no ierīces un savainot jūs vai apkārtējos.

⚠UZMANĪBU: Neievietojiet akumulatora kasetni ar spēku. Ja kasetne neslīd ietvarā viegli, tā nav pareizi ielikta.

PIEZĪME: Kad putekļsūcējs pārslēdz barošanas avotu no pirmā akumulatora uz otro, var būt nepieciešama īslaicīga darbību apturēšana, kas izraisīs nelielu sūkšanas jaudas zudumu. Ņemiet vērā, ka tas nav darbības traucējums, putekļsūcējs atsāks darboties tūlīt pēc pauzes.

Atlikušās akumulatora jaudas indikators

Nospiediet akumulatora kasetnes pārbaudes pogu, lai pārbaudītu akumulatora atlikušo uzlādes līmeni. Indikatori iedegsies uz dažām sekundēm.

- **Att.5:** 1. Indikatora lampas 2. Pārbaudes poga

| Indikatora lampas | | | Atlikusī jauda |
|-------------------|----------|-------|-------------------------------------|
| lededzies | izslēgts | mirgo | |
| | | | No 75% līdz 100% |
| | | | No 50% līdz 75% |
| | | | No 25% līdz 50% |
| | | | No 0% līdz 25% |
| | | | Uzlādējiet akumulatoru. |
| | | | Iespējama akumulatora kļūme. ↑ ↓ |
| | | | |

PIEZĪME: Reālā jauda var nedaudz atšķirties no norādītās atkarībā no lietošanas apstākļiem un apkārtējās temperatūras.

PIEZĪME: Akumulatora aizsardzības sistēmas darbības laikā mirgo pirmais (kreisais malējais) indikators.

Akumulatoru indikatori vadības blokā

Atlikušo akumulatora jaudu jebkurā brīdī var redzēt vadības blokā. Nospiediet pārbaudes pogu, un kreisais un labais indikators attiecīgi rādīs akumulatoru uzlādes līmeņus.

- **Att.6:** 1. Akumulatoru indikatori 2. Pārbaudes poga
- **Att.7**

| Akumulatora indikatora stāvoklis | | | Atlikusī akumulatora jauda |
|----------------------------------|----------|-------|----------------------------|
| ieslēgts | izslēgts | mirgo | |
| | | | No 50% līdz 100% |
| | | | No 20% līdz 50% |
| | | | No 0% līdz 20% |
| | | | Akumulatora uzlāde |
| | | | Akumulators nav ievietots |

PIEZĪME: Akumulatoru indikatori aktivizēsies arī tad, kad putekļsūcējs sāks darboties vai pārslēgs barošanas avotu no viena uz otru.

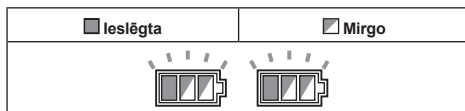
Ierīces/akumulatora aizsardzības sistēma

Ierīce ir aprīkota ar ierīces/akumulatora aizsardzības sistēmu. Šī sistēma automātiski izslēdz motora barošanu, tādējādi pagarinot ierīces un akumulatora darbību. Ierīce automātiski pārstās darboties, ja ierīci vai akumulatoru pakļaus kādam no tālāk norādītajiem apstākļiem:

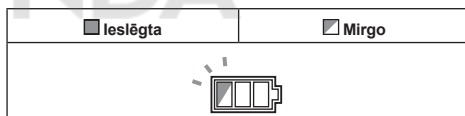
Aizsardzība pret pārslodzi

Ja ierīci/akumulatoru lieto tā, kas tas patērē pārmērīgi lielu strāvas daudzumu, ierīce automātiski pārstāj darboties. Šādā gadījumā izslēdziet ierīci un pārtrauciet darbību, kas izraisīja ierīces pārslodzi. Pēc tam ieslēdziet ierīci, lai atsāktu darbu.

Aizsardzība pret pārkaršanu



Kad ierīce ir pārkarusi, tā automātiski pārstāj darboties, un mirgo gan kreisais, gan labais akumulatora indikators. Šādā gadījumā pirms atkārtotas ieslēgšanas ļaujiet ierīcei atdzist.



Kad akumulators ir pārkaris, ierīce automātiski pārstāj darboties, un mirgo pārkarusā akumulatora indikators. Šādā gadījumā pirms ierīces atkārtotas ieslēgšanas ļaujiet akumulatoram atdzist.

Aizsardzība pret akumulatora pārmērīgu izlādi

Ja ir zema atlikusī akumulatora jauda, ierīce automātiski pārstāj darboties. Ja ierīce nedarbojas atbilstoši slēdžu darbībai, izņemiet akumulatorus no ierīces un uzlādējiet tos.

Aizsardzība pret citiem cēloņiem

Aizsardzības sistēma ir paredzēta arī pret citiem cēloņiem, kas varētu radīt ierīces bojājumus, un nodrošina automātisku ierīces apturēšanu. Ja ierīces darbība ir īslaicīgi apstājusies vai pārstājusi darboties, veiciet visas tālāk norādītās darbības, lai novērstu cēloņus.

1. Izslēdziet un ieslēdziet ierīci, lai to no jauna iedarbinātu.
2. Uzlādējiet akumulatoru(-s) vai nomainiet to(-s) ar uzlādētu(-iem) akumulatoru(-iem).
3. Ļaujiet ierīcei un akumulatoram(-iem) atdzist.

Ja pēc aizsardzības sistēmas atjaunošanas nav uzlabojumu, sazinieties ar vietējo Makita tehniskās apkopes centru.

Slēdža darbība

Putekļsūcēja ieslēgšana

1. Pagrieziet gaidstāves slēdzi pozīcijā „I” (IESLĒGTS), lai putekļsūcēju sagatavotu gaidstāves režīmā.
2. Nospiediet ieslēgšanas/izslēgšanas pogu. Lai pārslēgtu putekļsūcēju atpakaļ gaidstāves režīmā, vēlreiz nospiediet ieslēgšanas/izslēgšanas pogu.

Putekļsūcēja izslēgšana

Veiciet kādu no tālāk norādītajām darbībām.

- Nospiediet ieslēgšanas/izslēgšanas pogu, lai pārslēgtu putekļsūcēju atpakaļ gaidstāves režīmā, pēc tam pagrieziet gaidstāves slēdzi pozīcijā „O” (IZSLĒGTS).
- Pagrieziet gaidstāves slēdzi pozīcijā „O” (IZSLĒGTS).

Sūkšanas jaudas regulēšana

Sūkšanas jaudu var noregulēt atbilstoši jūsu darba vajadzībām.

- Lai mazinātu sūkšanas jaudu, pagrieziet sūkšanas jaudas regulēšanas pogu pa kreisi.
- Lai palielinātu sūkšanas jaudu, pagrieziet sūkšanas jaudas regulēšanas pogu pa labi.

► **Att.8:** 1. Gaidstāves slēdzis 2. Ieslēgšanas/izslēgšanas poga 3. Sūkšanas jaudas regulēšanas poga

Automātiskā sūkšanas apturēšana mitrās sūkšanas laikā

▲BRĪDINĀJUMS: Neizmantojiet ierīci ilgu laiku, kamēr darbojas pludiņš. Ja putekļsūcējs tiek izmantots ilgu laiku, kamēr darbojas pludiņš, tas var izraisīt pārkaršanu un tādējādi arī putekļsūcēja deformāciju.

▲BRĪDINĀJUMS: Nevāciet putas vai ziepjainu šķidrumu. Putas var izplūst pa gaisa izplūdes atveri, pirms nostrādā pludiņš. Nepārtraukta ierīces izmantošana šādā stāvoklī var izraisīt elektriskās strāvas triecienu un putekļsūcēja bojājumu.

Automātiskās sūkšanas apturēšanas funkcija darbojas tikai tad, ja putekļsūcēju izmanto ar pludiņu un pludiņa ietvaru. Putekļsūcējam ir pludiņa mehānisms, kas neļauj ūdenim iekļūt motorā, kad tiek iesūkts vairāk nekā noteiktais ūdens daudzums. Kad tvertne ir pilna un putekļsūcējs vairs neiesūc ūdeni, izslēdziet ierīci un iztukšojiet tvertni.

Riteņu nobloķēšana un atbloķēšana

Lai putekļsūcējs neizkustētos, aizmugures riteņus var nobloķēt ar aizmuriem.

Ar roku nolaidiet aizmura sviru, lai nobloķētu riteņi, un paceliet sviru, lai riteņi atbrīvotu.

► **Att.9:** 1. Riteņi 2. Aizmura svira 3. BRĪVA pozīcija 4. BLOĶĒTA pozīcija

PIEZĪME: Pirms putekļsūcēja pārvietošanas pārbaudiet, vai riteņi ir atbloķēti. Ja putekļsūcēju pārvieto ar nobloķētu riteņi, var sabojāt riteņi.

Rokturis pārnēsāšanai

▲UZMANĪBU: Ierīces celšanu un nešanu veiciet rūpīgi. Citādi iespējams gūt savainojumus vai sabojāt ierīci.

Pārvietojot putekļsūcēju, nesiet to, satverot rokturi ierīces augšdaļā. Kad rokturi neizmanto, to var ievietot ierīces augšdaļā.

► **Att.10**

MONTĀŽA

▲UZMANĪBU: Pirms jebkādu ierīces apkopes vai līdzīgu darbu veikšanas vienmēr pārlicinieties, ka tā ir izslēgta un akumulatoru kasetnes ir izņemtās.

▲UZMANĪBU: Ierīces salikšanas vai apkopes laikā vienmēr lietojiet putekļu masku.

Pulvera filtra (HEPA) un priekšfiltra (sausajiem putekļiem) uzstādīšana

Papildu piederumi

▲UZMANĪBU: Kad izmantojat pulvera filtru, nesūciet ūdeni vai citus šķidrumus, vai mitrus putekļus. Iepriekš norādīto vielu savākšanas rezultātā pulvera filtrs var saplīst.

Pulvera filtra lietošana:

1. Atskrūvējiet vaiļgāk skrūves, ar kurām nostiprināts pludiņa ietvars, pēc tam no augšdaļas izņemiet skrūves, pludiņa ietvaru un pludiņš.

► **Att.11:** 1. Skrūve 2. Pludiņa ietvars 3. Pludiņš 4. Augšdaļa

2. Izņemiet no tvertnes auduma filtru.

► **Att.12:** 1. Auduma filtrs 2. Tvertne

3. Ievietojiet priekšfiltru tvertnē, savietojot uzstādīšanas pozīciju marķējumus uz priekšfiltra un tvertnes.

4. Uzstādiet buferi priekšfiltrā un pēc tam novietojiet uz bufera pulvera filtru, savietojot uzstādīšanas pozīciju marķējumus uz pulvera filtra un priekšfiltra.

5. Uzlieciet augšdaļu uz tvertnes un sastipriniet abas daļas ar fiksatoriem.

► **Att.13:** 1. Augšdaļa 2. Pulvera filtrs (HEPA)

3. Buferis 4. Priekšfiltrs 5. Tvertne

6. Uzstādīšanas pozīcijas marķējums

IEVĒRĪBAI: Pirms pulvera filtra izmantošanas vienmēr pārbaudiet, vai kopā tiek izmantots priekšfiltrs un buferis. Pulvera filtra nedrīkst uzstādīt vienu pašu.

Ūdens filtra uzstādīšana

Papildu piederumi

IEVĒRĪBAI: Nesūciet ūdeni vai mitrus putekļus, ja nav uzstādīts pludiņš, auduma filtrs vai ūdens filtrs.

IEVĒRĪBAI: Lai sūktu mitrus putekļus, uz putekļsūcēja jābūt uzstādītam pludiņa ietvaram un pludiņam.

IEVĒRĪBAI: Uzstādot ūdens filtru uz tvertnes, cieši uzstādiert to tvertnes atverē, lai ūdens filtra āķis cieši savienojas ar tvertnes atveri un starp ūdens filtru un tvertni nepalik atstarpe.

Lai sūktu tikai ūdeni vai mitrus putekļus, piemērotāks ir ūdens filtrs, nevis auduma filtrs.

Uzstādot ūdens filtru, savietojiet tā uzstādīšanas pozīcijas marķējumu ar marķējumu uz tvertnes.

► **Att.14:** 1. Ūdens filtrs 2. Tvertne 3. Uzstādīšanas pozīcijas marķējums

PIEZĪME: Ja nepieciešams atkārtoti sūkt lielu ūdens daudzumu, iesakām izmantot ūdens filtru. Pretējā gadījumā, izmantojot auduma filtru, putekļsūcēja jauda varētu samazināties.

Papīra saiņa uzstādīšana

Papildu piederumi

▲BRĪDINĀJUMS: Pirms papīra saiņa izmantošanas pārbaudiet, vai vienlaikus tiek izmantots auduma filtrs vai priekšfiltrs. Ja tas netiek lietots vienlaikus ar auduma filtru/priekšfiltru, var rasties neparasts troksnis un karstums, izraisot aizdegšanos.

IEVĒRĪBAI: Kad izmantojot papīra saini, nesūciet ūdeni vai citus šķidrumus, vai mitrus putekļus. Sūcot iepriekš norādītās vielas, papīra sainis var saplīst.

IEVĒRĪBAI: Lietojot auduma filtru, raugieties, lai pludiņš un pludiņa ietvars būtu pievienoti augšdaļai.

IEVĒRĪBAI: Lietojot priekšfiltru, raugieties, lai pulvera filtrs tiktu lietots kopā ar buferi.

1. Atlokiet papīra saini.
 2. Novietojiet papīra saiņa atveri pret tvertnes putekļu ieplūdes atveri.
 3. Uzstādiert papīra saini tvertnē, nostiprinot kartona izgriezumu uz papīra saiņa turētāja.
- **Att.15:** 1. Papīra sainis 2. Kartona izgriezums 3. Papīra saiņa turētājs 4. Putekļu ieplūdes atvere

Polietilēna maisa ievietošana

Ja tvertnē ievietots polietilēna maiss, tvertni var viegli iztukšot, nesasmērējot rokas.

Izklājiet polietilēna maisu uz tvertnes un iebīdiert maisa atvērta gala augšmalas vienu pusi starp turētāja plāksni un tvertnes priekšējo malu.

► **Att.16:** 1. Turētāja plāksne 2. Tvertnes priekšējā mala 3. Polietilēna maiss

Izklājiet maisa pārējās augšmalas uz ārpusi pāri tvertnes augšmalām. Lai stingri nostiprinātu maisa atveri, novietojiet auduma filtru vai priekšfiltru uz polietilēna maisa.

► **Att.17:** 1. Auduma filtrs/priekšfiltrs

PIEZĪME: Var izmantot tirgū pieejamos polietilēna maisus. Ieteicams izmantot vismaz 0,04 mm biezu maisu.

PIEZĪME: Pārāk liels putekļu daudzums var viegli saplēst maisu, tādēļ nesūciet vairāk par pusi no putekļu maisa tilpuma.

Polietilēna maisa izņemšana no tvertnes

▲BRĪDINĀJUMS: Pirms iztukšojat tvertni, obligāti pārliecinieties, ka putekļsūcējs ir izslēgts un akumulatoru kasetnes ir izņemtas. Neievērojot šo norādījumu, var rasties elektriskās strāvas trieciens un nopietnas traumas.

IEVĒRĪBAI: Sargiet pludiņa ietvaru un tvertni no spēcīgiem triecieniem. Spēcīgs trieciens var deformēt un sabojāt daļas.

IEVĒRĪBAI: Iztukšojiet tvertni vismaz vienreiz dienā, lai gan tas ir atkarīgs no tvertnē iesūkto putekļu daudzuma. Pretējā gadījumā sūkšanas jauda samazināsies un var saplīst motors.

IEVĒRĪBAI: Iztukšojot tvertni, nesatveriet to aiz āķiem vai fiksatoriem. Satverot aiz āķiem vai fiksatoriem, tie var salūzt.

Atbrīvojiet fiksatoru un noceliet augšdaļu no tvertnes. Pirms filtra izceļšanas no tvertnes nokratiet putekļus no auduma filtra vai priekšfiltra.

Pēc tam izņemiet no tvertnes polietilēna maisu, ar roku aizverot maisa atveri.

► **Att.18:** 1. Polietilēna maiss 2. Tvertne

PIEZĪME: Uzmanīgi izņemiet polietilēna maisu no tvertnes, lai nesaskrambātu to un nesaplēstu pret tvertnes iekšmalām.

PIEZĪME: Polietilēna maisu iztukšojiet, pirms tas ir pilns. Pārāk liels putekļu daudzums var saplēst putekļu maisu.

Universālā āķa uzstādīšana

Izmantojiet universālo āķi šļūtenes un konkrētāajā brīdī nelietoto piederumu un papildierīču turēšanai, tad tos varēsiet ātri izņemt atbilstoši vajadzībām.

► **Att.19**

Novietojiet universālo āķi uz uzstādīšanas pamatnes putekļsūcēja aizmugurē, universālā āķa sliedes ievietojot uzstādīšanas pamatnes rievās.

► **Att.20:** 1. Universālais āķis 2. Uzstādīšanas pamatne

MAKPAC adaptera uzstādīšana

Papildu piederumi

Ar papildu adaptera palīdzību uz putekļsūcēja var uzstādīt savienojamus un vienu uz otra saliekamus MAKPAC glabāšanas ietvarus. Ietvari ir dažādu izmēru un veidu, ko varat izvēlēties atbilstoši vajadzībām.

Kad rokturis ir noliekts aizvērtā pozīcijā, novietojiet uzstādīšanas pamatnes āķi uz putekļsūcēja roktura ar uzstādīšanas virsmu uz augšu.

- ▶ **Att.21:** 1. Uzstādīšanas pamatnes āķis
2. Uzstādīšanas virsma 3. Rokturis

Uzstādiet MAKPAC adapteri uz uzstādīšanas pamatnes āķa un sastipriniet abas daļas ar četrām komplektācijā iekļautajām skrūvēm.

- ▶ **Att.22:** 1. MAKPAC adapteris 2. Uzstādīšanas pamatnes āķis 3. Skrūve

Paceliet stumšanas stieni un pievelciet kloķi, sagatavojoties MAKPAC ietvaru uzstādīšanai uz putekļsūcēja.

- ▶ **Att.23:** 1. Stumšanas stienis 2. Kloķis

PIEZĪME: Lai uzzinātu, kā uzstādīt MAKPAC ietvarus, skatiet MAKPAC adaptera un ietvaru lietošanas pamācību.

Šļūtenes uzstādīšana

IEVĒRĪBAI: Nekad ar spēku nelokiet un nespiediet šļūteni. Nekad nepārvietojiet putekļsūcēju, velkot aiz šļūtenes. Ja šļūtenī loka, spiež vai rauj, to var saplēst vai deformēt.

IEVĒRĪBAI: Savācot lielus atkritumus, piemēram, ēvelēšanas atgriezumus, betona putekļus u.c., izmantojiet šļūteni ar 38 mm iekšējo diametru (papildpiederums). Ja izmantojat šļūteni ar 28 mm iekšējo diametru (papildpiederums), tā var nosprostoties un tikt bojāta.

Pievienošana putekļsūcējam

Ievietojiet šļūtenes galu putekļsūcēja putekļu ieplūdes atverē (šļūtenes ievades vietā), pēc tam pagrieziet pulksteņrādītāju kustības virzienā, līdz tas nofiksējas vietā.

- ▶ **Att.24:** 1. Šļūtene 2. Putekļu ieplūdes atvere (šļūtenes ievades vieta)

Savienojumi ar darbarīkiem (Atkarībā no valsts)

Savienojot putekļsūcēju ar jebkuru pieejamu darbarīku, kas sader ar putekļsūcēju, mehānizētajiem darbarīkiem tas darbojas kā putekļu savācējs.

Izvēlieties vienu no priekšējām uzdevām vai savienotājiem (papildu piederumi), kas ir vispiemērotākais darbarīka modelim. Novietojiet attiecīgi uzdevas vai savienotāju starp putekļsūcēja šļūtenes priekšgalu un darbarīka putekļu savākšanas atveri.

- ▶ **Att.25:** 1. Priekšējās uzdevas vai savienotājs
2. Putekļsūcēja šļūtene 3. Mehānizētais darbarīks 4. Putekļsūcējs

Putekļsūcēja piederumu uzstādīšana vai noņemšana

⚠UZMANĪBU: Kad piederums uzstādīts, pārbaudiet, vai tas ir cieši piestiprināts. Ja piederums ir nepareizi uzstādīts, tas var atvienoties un radīt traumas.

Piederums bez bloķēšanas funkcijas – izmantošana

Papildu piederumi

Ievietojiet piederumu putekļsūcēja iesūkšanas atverē, iestumjot un ar roku ieskrūvējot to vietā.

Pēc lietošanas atskrūvējiet piederumu ar roku un izvelciet to no iesūkšanas atveres.

- ▶ **Att.26**

Papildierīces ar bloķēšanas funkciju

Papildu piederumi

IEVĒRĪBAI: Uzstādot piederumu ar bloķēšanas funkciju, gādājiet, lai atlaišanas poga būtu savietota ar piederuma āķi. Ja detaļas nebūs pareizi savietotas, piederums nenofiksēsies un var atvienoties no tīrītāja.

Ievietojiet piederumu putekļsūcēja iesūkšanas atverē, stumjot tos kopā, līdz atskan klikšķis.

Lai noņemtu piederumu, velciet to nost, vienlaikus turot nospiestu atlaišanas pogu.

- ▶ **Att.27:** 1. Iesūkšanas atvere ar bloķēšanas funkciju
2. Atlaišanas poga 3. Papildierīce ar bloķēšanas funkciju

PIEZĪME: Papildierīci ar bloķēšanas funkciju var uzstādīt tikai iesūkšanas atverē ar bloķēšanas funkciju.

- ▶ **Att.28:** 1. Papildierīce ar bloķēšanas funkciju
2. Iesūkšanas atvere ar bloķēšanas funkciju 3. Iesūkšanas atvere bez bloķēšanas funkcijas

Izbīdāmās pagarinājuma caurules garuma regulēšana

Papildu piederumi

Lai iegūtu mazāku vai lielāku garumu, var kombinēt izbīdāmo pagarinājuma cauruli. Tādējādi iespējams tīrīt grūti aizsniezamas vietas ērtā stāvoklī.

Lai mainītu caurules garumu, ievelciet un izvelciet bīdāmo cauruli, spiežot un turot izbīdīšanas pogu. Atlaidiet izbīdīšanas pogu, lai nofiksētu bīdāmo cauruli vēlamajā pozīcijā.

- ▶ **Att.29:** 1. Bīdāmā caurule 2. Izbīdīšanas poga

APKOPE

⚠️ UZMANĪBU: Pirms ierīces pārbaudes vai apkopes vienmēr pārlicinieties, ka tā ir izslēgta un akumulatoru kasetnes ir izņemtas.

IEVĒRĪBAI: Nekad neizmantojiet gazolinu, benzīnu, atšķaidītāju, spirtu vai līdzīgus šķidrumus. Tas var radīt izbalēšanu, deformāciju vai plaisas.

Lai saglabātu izstrādājuma DROŠU un UZTICAMU darbību, remontdarbus, apkopi un regulēšanu uzticiet veikt tikai Makita pilnvarotam vai rūpnīcas apkopes centram, un vienmēr izmantojiet tikai Makita rezerves daļas.

Piederumu glabāšana

Konkrētajā brīdī nelietotos piederumus un papildierīces, piemēram, uzgaļus un suku, var nostiprināt un glabāt universālajā āķī putekļsūcēja aizmugurē.

► **Att.30:** 1. Universālais āķis 2. Konkrētajā brīdī nelietojamie piederumi un papildierīces

Ja putekļsūcējs kādu laiku netiek lietots, caurules (ar uzstādītu papildu atduri) var ievietot caurules turētājā.

► **Att.31:** 1. Atduris (papildpiederums) 2. Caurules turētājs

Šļūteni var glabāt, aptinot to lielos lokos ap putekļsūcēja korpusu vai rokturi. Savienojiet tās abus galus, izveidojot cilpas, ko novietojiet uz pacelta roktura. Tās pamatnes galu var arī atstāt šļūtenes ievades vietā, un uzkārt cilpas uz universālā āķa, sasienot brīvo galu.

► **Att.32**

► **Att.33**

Auduma filtra tīrīšana

Regulāri tīriet auduma filtru, jo aizsērējis auduma filtrs var pasliktināt sūkšanas jaudu.

Laiku pa laiku ar roku noslaukiet un nokratiet putekļus no auduma filtra.

► **Att.34:** 1. Auduma filtrs

Pulvera filtra (HEPA) un priekšfiltra tīrīšana

Papildu piederumi

Regulāri tīriet pulvera filtru, priekšfiltru un buferi, jo aizsērējuši filtri un buferis var pasliktināt sūkšanas jaudu.

Regulāri ar roku noslaukiet un nokratiet putekļus no filtriem un bufera.

Reizēm mazgājiet pulvera filtru ūdenī, izskalojiet un pirms lietošanas rūpīgi ēnā nožāvējiet. Filtrus nekad nemazgājiet veļas mazgājamajā mašīnā.

► **Att.35**

PIEZĪME: Nekasiet un neskrāpējiet pulvera filtru, priekšfiltru vai buferi ar cietiem priekšmetiem, piemēram, suku vai lāpstiņu.

PIEZĪME: Laika gaitā filtri nolietojas. Iesakām rezervē glabāt dažus filtrus.

PAPILDU PIEDERUMI

⚠️ UZMANĪBU: Šādi piederumi un papildierīces tiek ieteiktas lietošanai ar šajā rokasgrāmatā aprakstīto Makita darbarīku. Izmantojot citus piederumus vai papildierīces, var tikt radīta traumu gūšanas bīstamība. Piederumu vai papildierīci izmantojiet tikai paredzētajam mērķim.

Ja jums vajadzīga palīdzība vai precīzāka informācija par šiem piederumiem, vērsieties savā tuvākajā Makita apkopes centrā.

- Šļūtene
- Priekšējās uznavas (22, 24, 38)
- Taisnā caurule
- Pagarinājuma caurule
- Stūru uzgalis
- Apaļā suka
- Pulvera filtrs, HEPA (sausajiem putekļiem)
- Buferis
- Priekšfiltrs
- Ūdens filtrs
- Auduma filtrs
- Uzgaļa mezgls
- Liektā caurule
- Polietilēna maiss
- Papīra sainis
- MAKPAC adapteris
- Makita oriģinālais akumulators un lādētājs

PIEZĪME: Daži sarakstā norādītie izstrādājumi var būt iekļauti instrumenta komplektācijā kā standarta piederumi. Tie dažādās valstīs var būt atšķirīgi.

ĮSPĖJIMAS

- Šis įrenginys nėra skirtas naudoti asmenims, įskaitant vaikus, turintiems fizinių, jutimo ar dvasios negalių arba stokojantiems patirties ir žinių.
- Būtina prižiūrėti vaikus, kad jie nežaistų su valymo įrenginiu.
- Akumulatoriaus tipą rasite nurodytą skyriuje „TECHNINĖS SĄLYGOS“.
- Kaip išimti ar įdėti akumuliatorių, skaitykite skyriuje „Akumulatoriaus kasetės įdėjimas ar išėmimas“.
- Kai išmetate akumulatoriaus kasetę, išimkite ją iš įrankio ir išmeskite saugioje vietoje. Vadovaukitės vietos reglamentais dėl akumuliatorių išmetimo.
- Jei įrankis bus ilgą laiką nenaudojamas, akumuliatorių būtina išimti iš įrankio.
- Nesudarykite akumulatoriaus kasetėje trumpojo jungimo.
- Atitinkamą informaciją apie atsargumo priemones atliekant naudotojui techninės priežiūros darbus rasite skyriuje „TECHNINĖ PRIEŽIŪRA“.

SPECIFIKACIJOS

| Modelis: | VC001GL | VC003GL |
|--|--|--------------------------|
| Standartinio tipo filtras | Medžiaginis filtras (sausoms ir drėgnoms dulksėms) | |
| Didžiausias oro tūris (naudojant BL4040, ø32 mm x 1,7 m žarną) | 2,7 m ³ /min | |
| Siurbimas (naudojant BL4040, ø32 mm x 1,7 m žarną) | 23 kPa | |
| Surenkamas kiekis | Dulkės | 15 l |
| | Vanduo | 12 l |
| Matmenys (l x P x A) | 366 mm x 334 mm x 425 mm | 366 mm x 334 mm x 475 mm |
| Vardinė įtampa | Nuol. sr. maks. 36–40 V | |
| Grynasis svoris | 8,1–11,2 kg | 8,4–11,5 kg |
| Apsaugos laipsnis | IPX4 | |

- Atliktame tęstiniuose tyrimais ir nuolatos tobuliname savo gaminius, todėl čia pateikiamos specifikacijos gali būti keičiamos be įspėjimo.
- Įvairiose šalyse specifikacijos ir akumulatoriaus kasetė gali skirtis.
- Svoris nurodytas be priedų, tačiau įskaičiuojant akumulatoriaus kasetę (-es). Mažiausias ir didžiausias priedais ir akumulatoriaus kasetės (-ių) svoriai nurodyti lentelėje.
- Drėgnoms dulksėms surinkti reikalinga plūdė ir vandens arba medžiaginis filtras.

Tinkama akumulatoriaus kasetė ir (arba) įkroviklis

| | |
|-----------------------|---|
| Akumulatoriaus kasetė | BL4020 / BL4025 / BL4040* / BL4050F* / BL4080F* *: rekomenduojamas akumulatorius |
| Įkroviklis | DC40RA / DC40RB / DC40RC |

- Atsižvelgiant į gyvenamosios vietos regioną, kai kurios pirmiau nurodytos akumulatoriaus kasetės ir įkrovikliai gali būti neprieinami.

ĮSPĖJIMAS: Naudokite tik akumulatoriaus kasetes ir įkroviklius, kurie nurodyti anksčiau. Naudojant bet kurias kitas akumulatoriaus kasetes ir įkroviklius, gali kilti sužeidimo ir gaisro pavojus.

Simboliai

Toliau yra nurodyti simboliai, kurie gali būti naudojami įrangai. Prieš naudodami įsitinkinkite, kad suprantate jų reikšmę.



Perskaitykite instrukcijų vadovą.



Būkite itin atsargūs ir dėmesingi.



Įspėjimas! Valymo įrenginyje gali būti pavojingų dulkių.



Niekada nestovėkite ant valymo įrenginio.



Dulkių klasė L (mažai). Valymo įrenginiai gali surinkti L klasės kiekio dulkes. Vadovaukitės savo šalyje galiojančiomis nuostatomis dėl dulkių surinkimo ir sveikatos bei saugos darbo vietoje.



Taikoma tik ES šalims
Kadangi įrangoje yra pavojingų komponentų, panaudota elektrinė ir elektroninė įranga, akumulatoriai ir baterijos gali turėti neigiamą poveikio aplinkai ir žmonių sveikatai.
Nešalinkite elektros ir elektroninių prietaisų ar baterijų kartu su buitiniemis atliekomis! Pagal Europos direktyvą dėl elektros ir elektroninės įrangos atliekų bei akumuliatorių ir baterijų ir panaudotų akumuliatorių ir baterijų bei jos pritaikymą nacionaliniams įstatymams, panaudota elektros ir elektroninė įranga, baterijos ir akumulatoriai turi būti surenkami atskirai ir pristatomi į atskirą buitinių atliekų surinkimo punktą, kuris veikia pagal aplinkos apsaugos taisykles.
Tai rodo perbrauktas konteinerio ant ratukų simbolis, pateiktas ant įrangos.

Numatytoji naudojimo paskirtis

Prietaisas skirtas šlapioms ir sausoms dulkelėms surinkti. Šis prietaisas tinkamas komerciniam naudojimui, pavyzdžiui, viešbučiuose, mokyklose, ligoninėse, gamybklose, parduotuvsėse, biuruose ir nuomos verslo įmonėse.

Triukšmas

Įprastas triukšmo A lygis, nustatytas pagal EN60335-2-69:

Modelis VC001GL

Garso slėgio lygis (L_{pA}): 70 dB (A) arba mažiau
Paklaida (K): 2,5 dB (A)

Modelis VC003GL

Garso slėgio lygis (L_{pA}): 70 dB (A) arba mažiau
Paklaida (K): 2,5 dB (A)

Dirbant triukšmo lygis gali viršyti 80 dB (A).

PASTABA: Paskelbta (-os) triukšmo reikšmė (-ės) nustatyta (-os) pagal standartinį testavimo metodą ir ji galima naudoti vienam įrankiui palyginti su kitu.

PASTABA: Paskelbta (-os) triukšmo reikšmė (-ės) taip pat gali būti naudojama (-os) norint preliminariai įvertinti triukšmo poveikį.

ĮSPĖJIMAS: Dėvėkite ausų apsaugą.

ĮSPĖJIMAS: Faktiškai naudojant elektrinį įrankį, keliamo triukšmo dydis gali skirtis nuo paskelbtos (-ų) reikšmės (-ių), priklausomai nuo būdų, kuriais yra naudojamas šis įrankis, ir ypač nuo to, kokio tipo ruošinys apdirbamas.

ĮSPĖJIMAS: Siekdami apsaugoti operatorių, būtinai įvertinkite saugos priemones, remdamiesi vibracijos poveikio įvertinimu esant faktinėms naudojimo sąlygoms (atsižvelgdami į visas darbo ciklo dalis, pavyzdžiui, ne tik kiek laiko įrankis veikia, bet ir kiek kartų jis yra išjungiamas bei kai jis veikia be apkrovų).

Vibracija

Vibracijos bendroji vertė (triacio vektoriaus suma) nustatyta pagal EN60335-2-69 standartą:

Modelis VC001GL

Vibracijos emisija ($a_{h,M}$): 2,5 m/s² arba mažiau
Paklaida (K): 1,5 m/s²

Modelis VC003GL

Vibracijos emisija ($a_{h,M}$): 2,5 m/s² arba mažiau
Paklaida (K): 1,5 m/s²

PASTABA: Paskelbta (-os) vibracijos bendroji (-osios) reikšmė (-ės) nustatyta (-os) pagal standartinį testavimo metodą ir ji galima naudoti vienam įrankiui palyginti su kitu.

PASTABA: Paskelbta (-os) vibracijos bendroji (-osios) reikšmė (-ės) taip pat gali būti naudojama (-os) norint preliminariai įvertinti vibracijos poveikį.

ĮSPĖJIMAS: Faktiškai naudojant elektrinį įrankį, keliamos vibracijos dydis gali skirtis nuo paskelbtos (-ų) reikšmės (-ių), priklausomai nuo būdų, kuriais yra naudojamas šis įrankis, ir ypač nuo to, kokio tipo ruošinys apdirbamas.

ĮSPĖJIMAS: Siekdami apsaugoti operatorių, būtinai įvertinkite saugos priemones, remdamiesi vibracijos poveikio įvertinimu esant faktinėms naudojimo sąlygoms (atsižvelgdami į visas darbo ciklo dalis, pavyzdžiui, ne tik kiek laiko įrankis veikia, bet ir kiek kartų jis yra išjungiamas bei kai jis veikia be apkrovų).

EB atitikties deklaracija

Tik Europos šalims

EB atitikties deklaracija yra pridedama kaip šio instrukcijų vadovo A priedas.

SAUGOS ĮSPĖJIMAI

Saugos įspėjimai dėl akumulatorinio vakuuminio valymo įrenginio naudojimo

ĮSPĖJIMAS: SVARBU: PRIEŠ PRADĖDAMI NAUDOTI, ATIDŽIAI PERSKAITYKITE visus saugos įspėjimus ir nurodymus. Nesilaikydami toliau pateiktų įspėjimų ir instrukcijų, galite patirti elektros smūgį, gaisrą ir (arba) sunkų sužeidimą.

1. Prieš pradėdami naudoti, įsitinkinkite, ar šį valymo įrenginį naudoja tik tie žmonės, kurie yra tinkamai išmokyti, kaip naudoti šį valymo įrenginį.
2. Prieš naudojimą operatoriams pateikiama informacija, instrukcijos ir suteikiami mokymai, kaip naudotis įrenginiu, taip pat informuojama, su kokiomis medžiagomis jis skirtas naudoti, įskaitant saugų surinktų medžiagų išėmimą ir šalinimą.
3. Jeigu veržiasi putos ir (arba) skystys, tuoj pat išjunkite.
4. Reguliariai valykite vandens lygio ribojimo įtaisą ir tikrinkite, ar nėra jo sugadinimo požymių.
5. Prieš naudodami visada įsitinkinkite, kad filtrai įdėti tinkamai. Nenaudokite valymo įrenginio, jei filtrai įdėti netinkamai. Pažeistą filtrą nedelsdami pakeiskite nauju. Rekomenduojama turėti atsarginių filtrų, nes šios dalys dėvisi.
6. VENKITE NETYČINIO PALEIDIMO. Prieš dėdami akumuliatorių (-ius), patikrinkite, ar jungiklis yra nustatytas į išjungimo padėtį „OFF“.

7. Nebandykite susiurbti degių medžiagų, fejer-verkų, degančių cigarečių, karštų pelenų, įkai-tusių metalo drožlių, aštrių daiktų, pavyzdžiui, skutimosi peiliukų, adatu, stiklo duženų ir pan.
 8. **NIEKADA NENAUDOKITE VALYMO ĮRENGINIO ŠALIA BENZINO, DUJŲ, DAŽŲ, KLIJŲ ARBA KITŲ LABAI DEGIŲ MEDŽIAGŲ.** Įjungiant arba išjungiant jungiklį, kyla kibirkščiai. Įrenginiui veikiant, kibirkščiuoja ir variklio srovės keiti-klis. Gali kilti pavojingas sproginimas.
 9. Niekada nesiurbkite nuodingų, kancerogeninių, degių arba kitų pavojingų medžiagų, pavyzdžiui, asbesto, arseno, bario, berilio, švino, pesticidų ir kitų sveikatai pavojingų medžiagų.
 10. Visada valymo įrenginį dėkite ant horizonta-laus lygaus paviršiaus, kad jis nenukristų arba netyčia nepajudėtų.
 11. Niekada nenaudokite valymo įrenginio lauke lietui lyjant.
 12. Suomijoje šio įrenginio negalima naudoti lauke esant žemai temperatūrai.
 13. Nenaudokite prie šilumos šaltinių (krosnių ir pan.).
 14. Jeigu ištraukiamas oras yra gražinamas į patalpą, būtina pasirūpinti pakankama oro cirkuliacijos sparta patalpoje. Būtina laikytis šalyje galiojančių taisyklių.
 15. Neužkimškite įsiurbimo angos / išleidimo / vėsinimo ventiliacijos angų. Šios ventiliacijos angos skirtos varikliui aušinti. Stenkitės jų neuzblokuoti, kitaip dėl vėdinimo trūkumo perdegs variklis.
 16. Visuomet tvirtai stovėkite ant žemės, išlaiky-kite pusiausvyrą.
 17. Nesulenkite, neįtempkite ir neatsistokite ant žarnos.
 18. Nedelsdami išjunkite valymo įrenginį, jeigu pastebėtumėte, jog jis prastai arba neįprastai veikia.
 19. **IŠIMKITE AKUMULIATORIŲ (-IUS).** Kai jo nenaudojate, prieš atlikdami remonto arba techninės priežiūros darbus ir keisdami priedus.
 20. Norėdami, kad valymo įrenginys veiktų geriau-siai, kiekvieną kartą jį panaudoję, nuvalykite ir atlikite techninę jo priežiūrą.
 21. **TINKAMAI PRIŽIŪRĖKITE VALYMO ĮRENGINĮ.** Valymo įrenginys visuomet turi būti švarus, kad darbas vyktų geriau ir saugiau. Laikykites priedų keitimo nurodymų. Rankenos turi būti švarios, sausos ir neištemptos tepalu.
 22. **PATIKRINKITE, AR NĖRA SUGEDUSIŲ DALIŲ.** Prieš toliau naudodami valymo įrenginį, ati-džiai apžiūrėkite sugadintą apsauginį įtaisą ar kitą dalį ir nustatykite, ar ji veiks tinkamai ir atliks savo funkciją. Patikrinkite judančių dalių sulyginimą, suveržimą, ar nėra sulūžusių dalių, ar dalys tinkamai sumontuotos ir kitas sąlygas, kurios gali paveikti prietaiso veikimą. Sugadintą apsauginį įtaisą ar kitą dalį reikia tinkamai remontuoti arba pakeisti įgaliotajame techninės priežiūros centre, nebent šioje instrukcijoje nurodyta kitaip. Sugedusius jungiklius turi pakeisti įgaliotasis priežiūros centras. Nenaudokite valymo įrenginio, jeigu jo jungiklis jo neįjungia arba neišjungia.
 23. Jei naudotojui reikia atlikti priežiūros darbus, įrenginį reikia išardyti, išvalyti ir sutvarkyti, kiek tai įmanoma, nekeltant rizikos techninės priežiūros personalui ir kitiems žmonėms.
 24. Įrenginio techninę patikrą bent kas metus turi atlikti gamintojas ar išmokytas asmuo. Pavyzdžiui, šią patikrą sudaro filtrų patikra (ar nepažeistit), įrenginio sandarumo ir valdymo mechanizmo tinkamo veikimo patikra.
 25. Atliekant techninės priežiūros ar remonto darbus, visus užterštus elementus, kurių negalima patenkinamai išvalyti, reikia šalinti; tokie elementai turi būti šalinami nelaidžiuose maišeliuose pagal visus šiuo metu galio-jančius ir tokių atliekų šalinimui taikomus reglamentus.
 26. **ATSARGINĖS DALYS.** Prižiūrėdami naudokite tik identiškas atsargines dalis.
 27. **VALYMO ĮRENGINYS TURI BŪTI LAIKOMAS IŠJUNGTAS.** Nenaudojamą valymo įrenginį privaloma laikyti patalpoje.
 28. Prieš padedant įrenginį į vietą, drėgni filtrai ir vidinė skysčio indo dalis turi būti išdžiovinti.
 29. Saugokite valymo įrenginį. Šiurkščiai nau-dojami, gali sugesti net ir tvirčiausi valymo įrenginiai.
 30. Nebandykite valyti išorinių arba vidinių dalių benzinu, tirpikliu arba cheminėmis valymo medžiagomis. Jos gali įtrūkti arba išblukti.
 31. Nenaudokite valymo įrenginio uždaroje patal-poje, kurioje yra degių, sprogių arba nuodingų garų, kuriuos skleidžia alejiniai dažai, dažų skiedikliai, benzinas, kai kurios kandžių neėda-mos medžiagos ir pan., arba tokiose vietose, kuriose yra degių dulkių.
 32. Nenaudokite šio arba bet kokio kito įrengi-nio, kai esate apsvaigę nuo narkotikų arba alkoholio.
 33. Pagrindinė saugos taisyklė: dėvėkite apsaugi-nius darbo akinius arba apsauginius akinius su šoniniais skydeliais.
 34. Dirbdami dulkėtoje aplinkoje, dėvėkite respiratorių.
 35. Šis įrenginys nėra skirtas naudoti asmenims, įskaitant vaikus, turintiems fizinių, jutimo ar dvasios negalių arba stokojantiems patirties ir žinių.
 36. Būtina prižiūrėti vaikus, kad jie nežaistų su valymo įrenginiu.
 37. Niekada nelieskite akumulatoriaus (-ių) ar valymo įrenginio šlapimomis rankomis.
 38. Būkite itin atsargūs, valydami laiptus.
 39. Nenaudokite šio valymo įrenginio vietoj kėdės arba darbastalio. Įrenginys gali nuvirtti ir sužeisti.
- Akumulatorinio įrankio naudojimas ir priežiūra**
1. Įkraukite naudodami tik gamintojo nurodytą įkroviklį. Įkroviklis, kuris tinka vienam akumula-torių tipui įkrauti, gali kelti gaisro pavojų, jei bus naudojamas su kitų tipų akumulatoriais.
 2. Elektrinius įrankius naudokite tik su specialiai jiems skirtais akumulatoriais. Naudojant bet kurį kitą akumulatorių gali kilti sužeidimo ir gaisro pavojus.

3. Kai akumulatorius nėra naudojamas, laikykite jį toliau nuo kitų metalinių daiktų, pavyzdžiui, popieriaus sąvaržėlių, monetų, raktų, vinių, varžtų ir kitų mažų metalinių daiktų, dėl kurių gali kilti trumpasis jungimas tarp kontaktų. Akumuliatorių kontaktų trumpasis jungimas gali būti nudegimų arba gaisro priežastimi.
4. Netinkamai naudojant iš akumulatoriaus gali ištekėti skysčio. Venkite sąlyčio su juo. Jei sąlytis atsitiktinai įvyko, gausiai nuplaukite vandeniu. Jei skysčio pateko į akis, kreipkitės į gydytoją. Iš akumulatoriaus išbėgęs skystis gali sudirginti arba nudeginti odą.
5. Nenaudokite sugadinto ar modifikuoto akumulatoriaus arba įrankio. Sugadinti arba modifikuoti akumulatoriai gali veikti neįprastai, todėl gali kilti gaisras, sprogimas arba sužalojimo rizika.
6. Saugokite akumuliatorių arba įrankį nuo ugnies ar pernelyg aukštos temperatūros. Dėl ugnies ar 130 °C viršijančios temperatūros gali kilti sprogimas.
7. Laikykites visų įkrovimo nurodymų ir nekraukite akumulatoriaus ar įrankio, kai temperatūra neatitinka nurodymuose pateikto temperatūros intervalo. Netinkamai įkraunant arba įkraunant esant kitam nei nustatytas temperatūros intervalui, gali būti sugadintas akumulatorius ar padidėti gaisro rizika.
8. Trumpasis jungimas akumulatoriuje gali sukelti stiprią srovę, perkaitimą, galimus nudegimus ar net akumulatoriaus gedimą.
9. Nelaikykite ir nenaudokite įrankio ir akumulatoriaus kasetės vietose, kur temperatūra gali pasiekti ar viršyti 50 °C (122 °F).
10. Nedeginkite akumulatoriaus kasetės, net jei yra stipriai pažeista ar visiškai susidėvėjusi. Ugnyje akumulatoriaus kasetė gali sprogti.
11. Akumulatoriaus kasetės nekalkite, nepjausykite ir nemėtykite ir taip pat į ją netrankykite kietu daiktu. Taip elgiantis, ji gali užsidegti, per daug įkaisti arba sprogti.
12. Nenaudokite pažeisto akumulatoriaus.
13. Įdėtomis ličio jonų akumulatoriams taikomi Pavojaingų prekių teisės akto reikalavimai. Komercinis transportas, pvz., trečiųjų šalių, prekių vežimo atstovų, turi laikytis specialaus reikalavimo ant pakuotės ir ženklavimo. Norėdami paruošti siųstiną prekę, pasitarkite su pavojaingų medžiagų specialistu. Be to, laikykitės galimai išsamesnių nacionalinių reglamentų. Užklijuokite juosta arba padenkite atvirus kontaktus ir supakuokite akumuliatorių taip, kad jį pakuotėje nejudėtų.
14. Kai išmetate akumulatoriaus kasetę, išimkite ją iš įrankio ir išmeskite saugioje vietoje. Vadovaukitės vietos reglamentais dėl akumuliatorių išmetimo.
15. Baterijas naudokite tik su „Makita“ nurodytais gaminiiais. Baterijas įdėjus į netinkamus gaminius gali kilti gaisras, gaminys pernelyg įkaisti, kilti sprogimas arba pratekėti elektrolitas.
16. Jei įrankis bus ilgą laiką nenaudojamas, akumuliatorių būtina išimti iš įrankio.
17. Darbo metu ir po akumulatoriaus kasetė gali būti įkaitusi ir dėl to nudeginti. Imdami akumulatoriaus kasetes, būkite atsargūs.
18. Tuojuo pat po naudojimo nelieskite įrankio gnybtų, nes jie gali būti įkaitę tiek, kad nudegins.
19. Nelieskite, kad į akumulatoriaus kasetės gnybtus, angas ir griovelius patektų dulkių, dulkių ar žemių. Jos gali sukelti kaitimą, užsidegti, sprogti ir sukelti įrankio ar akumulatoriaus kasetės gedimą, dėl ko galima nusideginti ar susižaloti.
20. Jeigu įrankis nėra pritaikytas naudoti šalia aukštos įtampos elektros linijų, akumulatoriaus kasetės nenaudokite šalia aukštos įtampos elektros linijų. Dėl to gali sutrikti įrankio ar akumulatoriaus kasetės veikimas arba jie gali sugesti.
21. Laikykite akumuliatorių vaikams nepasiekiamoje vietoje.

SAUGOKITE ŠIAS INSTRUKCIJAS.

⚠️ PERSPĖJIMAS: NELEISKITE, kad patogumas ir gaminio pažinimas (įgyjamas pakartotinai naudojant) susilpnintų griežtą saugos taisyklių, taikytinų šiam gaminiui, laikymąsi. Dėl NETINKAMO NAUDOJIMO arba saugos taisyklių, kurios pateiktos šioje instrukcijoje, nesilaikymo galima rimtai susižeisti.

Svarbios saugos instrukcijos, taikomos akumulatoriaus kasetei

1. Prieš naudodami akumulatoriaus kasetę, perskaitykite visas instrukcijas ir perspėjimus ant (1) akumuliatorių įkroviklio, (2) akumuliatorių ir (3) akumuliatorių naudojančio gaminio.
2. Neardykite ir negadinkite akumulatoriaus kasetės. Dėl to ji gali užsidegti, per daug įkaisti arba sprogti.
3. Jei įrankio darbo laikas žymiai sutrumpėjo, nedelsdami nutraukite darbą su įrankiu. Tai gali kelti perkaitimo, nudegimų ar net sprogimo pavojų.
4. Jei elektrolitas pateko į akis, plaukite jas tyru vandeniu ir nedelsdami kreipkitės į gydytoją. Gali kilti regėjimo praradimo pavojus.
5. Neužtrumpinkite akumulatoriaus kasetės:
 - (1) Nelieskite kontaktų degiomis medžiagomis.
 - (2) Venkite laikyti akumulatoriaus kasetę kartu su kitais metaliniais daiktais, pavyzdžiui, vinimis, monetomis ir pan.
 - (3) Saugokite akumulatoriaus kasetę nuo vandens ir lietaus.

SAUGOKITE ŠIAS INSTRUKCIJAS.

⚠️ PERSPĖJIMAS: Naudokite tik originalų „Makita“ akumuliatorių. Neoriginalaus „Makita“ arba pakeisto akumulatoriaus naudojimas gali nulemti gaisrą, asmens sužalojimą ir pažeidimą. Tai taip pat panaikina „Makita“ suteikiamą „Makita“ įrankio ir įkroviklio garantiją.

Patarimai, ką daryti, kad akumulatorius veiktų kuo ilgiau

1. Pakraukite akumulatoriaus kasetę prieš jai visiškai išsikraunant. Visuomet nustokite naudoti įrankį ir pakraukite akumulatoriaus kasetę, kai pastebite, kad įrankio galia sumažėjo.
2. Niekada nekraukite iki galo įkrautos akumulatoriaus kasetės. Perkraunant trumpėja akumulatoriaus eksploatacijos laikas.
3. Akumulatoriaus kasetę kraukite esant kambario temperatūrai 10 - 40 °C. Prieš pradėdami krauti, leiskite įkaitusiai akumulatoriaus kasetei atvėsti.
4. Kai akumulatoriaus kasetės nenaudojate, ją išimkite iš įrankio ar įkroviklio.
5. Įkraukite akumulatoriaus kasetę, jei jos nenaudojate ilgą laiką (ilgiau nei šešis mėnesius).

DALIŲ APRAŠYMAS

- **Pav.1:** 1. Galvutės blokas 2. Plūdė 3. Plūdės apgaubas 4. Medžiaginis filtras 5. Bakelis

VEIKIMO APRAŠYMAS

▲ PERSPĖJIMAS: Prieš pradėdami reguliuoti prietaisą arba tikrinti jo veikimą, visada prietaisą išjunkite ir išimkite akumulatoriaus kasetes.

Akumulatoriaus kasetės uždėjimas ir nuėmimas

▲ PERSPĖJIMAS: Prieš įdėdami arba išimdami akumulatoriaus kasetes, prietaisą visada išjunkite.

▲ PERSPĖJIMAS: Įdėdami arba išimdami akumulatoriaus kasetes, tvirtai laikykite valymo įrenginį ir akumulatoriaus kasetes. Priešingu atveju jie gali išslysti iš rankų, todėl valymo įrenginys ir akumulatoriaus kasetės gali būti sugadinti, o naudotojas sužalotas.

▲ PERSPĖJIMAS: Atidarydami arba užspausdami akumulatoriaus skyriaus dangtelį, būkite atsargūs, kad neprisispaustumėte pirštų. Kitaip galite susižeisti.

Valymo įrenginyje yra dvi akumulatoriaus angos. Lygiagrečiai naudodami du vienodus akumulatorius, vienu arba daugiau kartų galite prailginti veikimo laiką, nenutraukdami darbo akumulatoriams įkrauti. Valymo įrenginys taip pat veikia įdėjus vieną akumulatorių, todėl priklausomai nuo poreikių galite pasirinkti, ar naudoti du, ar vieną akumulatorių.

- **Pav.2:** 1. Kairioji akumulatoriaus anga 2. Dešinioji akumulatoriaus anga

Naudojant du akumulatorius

Pastoviai naudojant du akumulatorius, prietaisas veikia ilgiau ir efektyviau. Išsikrovus vienam akumulatoriui, valymo įrenginyje automatiškai perjungama į kitą maitinimo šaltinį, todėl prietaisas nenustoja veikti ir naudoja antro akumulatoriaus energiją.

PASTABA: Kairioji akumulatoriaus anga (kai yra nukreipta į valymo įrenginio priekį) turi pirmenybę prieš dešiniąją akumulatoriaus angą. Dešinioji akumulatoriaus anga kaip maitinimo šaltinis bus naudojama tik tada, kai į kairiąją akumulatoriaus angą nebus įdėtas akumulatorius arba kairiojoje akumulatoriaus angoje įdėtas akumulatorius išsieikvos.

PASTABA: Išimti akumulatorių iš kairiosios akumulatoriaus angos ir įkrauti galite tik tada, kai valymo įrenginyje maitinimas iš kairiosios akumulatoriaus angos perjungiamas į dešiniąją akumulatoriaus angą. Norėdami, kad įdėjus įkrautą akumulatorių pirmenybė vėl būtų teikiama kairiojo akumulatoriaus angai, išjunkite ir vėl įjunkite valymo įrenginį.

Naudojant vieną akumulatorių

Prietaisui maitinti pakanka tik vieno akumulatoriaus, įdėto į kairiąją arba dešiniąją akumulatoriaus angą. Kuria akumulatoriaus angą galima naudoti valymo įrenginys nustato automatiškai, atsižvelgęs į darbo sąlygas.

Įdėjimas ir išėmimas

Norėdami įdėti akumulatoriaus kasetes, pirmiausia atlaisvinkite fiksatorių, tada atidarykite akumulatoriaus skyriaus dangtelį. Įdėkite akumulatoriaus kasetes.

- **Pav.3:** 1. Fiksatorius 2. Akumulatoriaus skyriaus dangtelis

Sulygiuokite akumulatoriaus kasečių liežuvėlius su akumulatoriaus korpuso grioveliais ir įstumkite į kasetės skirtą vietą. Įstatykite iki pat galo, kad spragtelėdamas užsifiksuotų.

Tokiu atveju užfiksuokite akumulatoriaus skyriaus dangtelį.

- **Pav.4:** 1. Akumulatoriaus kasetė 2. Mygtukas

Jei norite išimti akumulatoriaus kasetes, laikydami nuspaudę kasečių priekyje esančius mygtukus, ištraukite kasetes iš akumulatoriaus korpuso.

▲ PERSPĖJIMAS: Akumulatoriaus kasetę visuomet įstatykite iki pat galo. Kitaip ji gali atsitiktinai iškristi iš prietaiso ir sužeisti jus arba aplinkinius žmones.

▲ PERSPĖJIMAS: Nekiškite akumulatoriaus kasetės jėga. Jeigu kasetė sunkiai lenda, ją kišate netinkamai.

PASTABA: Kai valymo įrenginyje maitinimo šaltinis pakeičiamas perjungiant iš pirmojo akumulatoriaus į antrąjį, prietaisas gali laikinai neveikti ir šiek tiek suprastėti siurbimas. Atkreipkite dėmesį, kad tai nėra gedimas, o nutrukus darbui valymo įrenginio veikimas nedelsiant atkuriamas ir galima dirbti toliau.

Likusios akumulatoriaus galios rodymas

Paspauskite akumulatoriaus kasetės tikrinimo mygtuką, kad būtų rodoma likusi akumulatoriaus energija. Maždaug trims sekundėms užsidegs indikatorius lemputės.

- **Pav.5:** 1. Indikatorius lemputės 2. Tikrinimo mygtukas

| Indikatorių lemputės | | | Likusi galia |
|----------------------|-----------|--------|--|
| Šviečia | Nešviečia | Blyksi | |
| | | | 75 - 100 % |
| | | | 50 - 75 % |
| | | | 25 - 50 % |
| | | | 0 - 25 % |
| | | | Įkraukite akumuliatorių. |
| | | | Galimai įvyko akumuliatoriaus veikimo triktis. |
| | | | |

PASTABA: Rodmuo gali šiek tiek skirtis nuo faktinės energijos lygio – tai priklauso nuo naudojimo sąlygų ir aplinkos temperatūros.

PASTABA: Veikiant akumuliatoriaus apsaugos sistemai ims mirksėti pirmoji (toliausiai kairėje) indikatorius lemputė.

Valdymo pulte esantys akumuliatoriaus indikatoriai

Likusių akumuliatoriaus galią bet kada galima sužinoti pažvelgus į valdymo pultą. Paspauskite tikrinimo mygtuką ir kairiosios bei dešinėsios pusės indikatoriai parodys atitinkamo akumuliatoriaus įkrovos lygį.

► **Pav.6:** 1. Akumuliatoriaus indikatoriai 2. Tikrinimo mygtukas

► **Pav.7**

| Akumuliatoriaus indikatorius būseną | | | Likusi akumuliatoriaus galia |
|-------------------------------------|-----------|--------|------------------------------|
| Šviečia | Nešviečia | Blyksi | |
| | | | 50 - 100 % |
| | | | 20 - 50 % |
| | | | 0 - 20 % |
| | | | Įkraukite akumuliatorių |
| | | | Akumuliatorius neįdėtas |

PASTABA: Akumuliatoriaus indikatoriai taip pat bus aktyvinti pradėjus veikti valymo įrenginiui arba persijungus iš vieno maitinimo šaltinio į kitą.

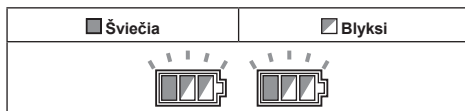
Prietaiso / akumuliatoriaus apsaugos sistema

Prietaise įrengta prietaiso / akumuliatoriaus apsaugos sistema. Ši sistema automatiškai atjungia variklio maitinimą, kad prietaisas ir akumuliatorius ilgiau veiktų. Prietaisas automatiškai išsijungs darbo metu susidarius vienai iš toliau nurodytų prietaiso arba akumuliatoriaus darbo sąlygų:

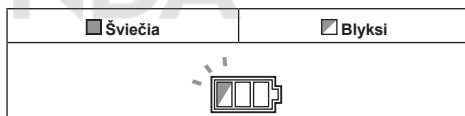
Apsauga nuo perkrovos

Kai prietaisas / akumuliatorius naudojamas taip, kad neįprastai padidėja elektros srovė, prietaisas automatiškai išsijungia. Tokiu atveju išjunkite prietaisą ir nutraukite darbą, dėl kurio kilo prietaiso perkrova. Tada vėl įjunkite prietaisą.

Apsauga nuo perkaitimo



Jeigu prietaisas perkaista, jis automatiškai išsijungia ir mirksi kairiosios ir dešinėsios pusės akumuliatoriaus indikatoriai. Tokiu atveju palaukite, kol prietaisas atvės, paskui vėl jį įjunkite.



Perkaitus akumuliatoriui, automatiškai išsijungia ir mirksi vienas iš perkaitusio akumuliatoriaus indikatorių. Tokiu atveju palaukite, kol akumuliatorius atvės, paskui vėl jį įjunkite.

Apsauga nuo visiško išsikrovimo

Kai likusi akumuliatoriaus galia tampa per maža, prietaisas automatiškai sustoja. Jeigu prietaisas neveikia net ir spaudžiant jungiklius, išimkite akumuliatorius iš prietaiso ir įkraukite.

Apsauga nuo kitų sutrikimų

Apsaugos sistema taip pat apsaugo nuo kitų sutrikimų, galinčių pažeisti prietaisą, todėl automatiškai jį išjungia. Prietaisui laikinai sustojus arba veikimo metu išsijungus, imkitės visų toliau nurodytų veiksmų ir pašalinkite sutrikimo priežastis.

1. Išjunkite prietaisą, tada vėl įjunkite, kad paleistumėte iš naujo.
2. Įkraukite akumuliatorių (-ius) arba jį (juos) pakeiskite įkrautu (-ais) akumuliatoriumi (-iais).
3. Palaukite, kol prietaisas ir akumuliatorius (-iai) atvės.

Jei atstačius apsaugos sistemą veikimas nepagerėja, kreipkitės į vietos „Makita“ techninės priežiūros centrą.

Jungiklio veikimas

Valymo įrenginio įjungimas

1. Pasukite parengties jungiklį į padėtį „I“ (JUNGTA), kad valymo įrenginys būtų parengtas veikti parengties režimu.
2. Paspauskite įjungimo mygtuką. Norėdami vėl perjungti į parengties režimą, dar kartą paspauskite įjungimo mygtuką.

Valymo įrenginio išjungimas

Atlikite vieną iš toliau nurodytų veiksmų.

- Paspauskite įjungimo mygtuką, kad valymo įrenginyje vėl nustatytumėte budėjimo režimą, tada parengties jungiklį pasukite į padėtį „O“ (IŠJUNGTĄ).
- Pasukite parengties jungiklį į padėtį „O“ (IŠJUNGTĄ).

Įsiurbimo galios reguliavimas

Siurbimo galią galima reguliuoti, atsižvelgiant į atliekamą darbą.

- Norėdami siurbimo galią sumažinti, siurbimo galios reguliavimo rankenėlę pasukite į kairę.
- Norėdami siurbimo galią padidinti, siurbimo galios reguliavimo rankenėlę pasukite į dešinę.

- **Pav.8:** 1. Parengties jungiklis 2. Įjungimo mygtukas
3. Siurbimo galios reguliavimo rankenėlė

Automatinis siurbimo sustabdymas siurbiant drėgnų dulkių režimu

⚠PERSPĖJIMAS: Nenaudokite ilgai, kai veikia plūdė. Ilgai naudojant valymo įrenginį, kai veikia jo plūdė, valymo įrenginys gali perkaisti ir deformuotis.

⚠PERSPĖJIMAS: Nesiurbkite putų arba muiluoto skysčio. Putos gali išsiveržti pro oro išleidimo angą nespėjus suveikti plūdei. Toliau naudojant įrenginį tokiomis sąlygomis, gali įvykti elektros smūgis ir valymo įrenginys sugestų.

Automatinio siurbimo sustabdymo funkcija veikia tik tada, kai valymo įrenginys naudojamas kartu su plūde ir plūdės apgauba.

Valymo įrenginyje yra plūdinis mechanizmas, neleidžiantis vandeniui patekti į variklį, kai įsiurbiamas tam tikras didesnis vandens kiekis. Kai bakelis yra pilnas ir valymo įrenginys daugiau vandens nebesiurbia, išjunkite valymo įrenginį ir išpilkite vandenį iš bakelio.

Ratukų fiksavimas ir atlaisvinimas

Galinius ratukus galima užfiksuoti panaudojus stabdiklius, kad valymo įrenginys taptų stabilesnis. Ranka nuleiskite stabdiklio svirtelę, kad ratuką užfiksuotumėte, o norėdami atlaisvinti – pakelkite.

- **Pav.9:** 1. Ratukas 2. Stabdiklio svirtelė
3. ATLEIDIMO padėtis 4. UŽFIKSAVIMO padėtis

PASTABA: Stumdami valymo įrenginį įsitikinkite, kad ratukai atlaisvinti. Stumiant valymo įrenginį, kai ratukai užfiksuoti, ratukus galima sugadinti.

Supporto rankena

⚠PERSPĖJIMAS: Prietaisą kelkite ir neškite itin rūpestingai. Priešingu atveju galite susižeisti arba pažeisti prietaisą.

Nešdami valymo įrenginį, jį neškite laikydami už galvutės bloko rankenos. Nenaudojant galvutės bloko rankeną galima nulenkinti.

- **Pav.10**

SURINKIMAS

⚠PERSPĖJIMAS: Prieš atlikdami bet kokius darbus su prietaisu, visada patikrinkite, ar prietaisas išjungtas, o akumulatoriaus kasetės išimtos.

⚠PERSPĖJIMAS: Visada montuodami arba atlikdami techninės priežiūros darbus dėvėkite apsaugos nuo dulkių kaukę.

Filtro su milteliais (HEPA) ir priešfiltrio (sausoms dulksmoms) įdėjimas

Pasirenkamas priedas

⚠PERSPĖJIMAS: Niekada nesiurbkite vandens ar kitų skysčių ir drėgnų dulkių, jeigu naudojate filtrą su milteliais. Siurbiant tokias medžiagas, filtras su milteliais gali suplyšti.

Norėdami naudoti filtrą su milteliais:

1. Atlaisvinkite plūdės apgaubą laikančius varžtus, tada iš galvutės bloko išimkite varžtus, nuimkite plūdės apgaubą ir plūdę.

- **Pav.11:** 1. Varžtas 2. Plūdės apgaubas 3. Plūdė
4. Galvutės blokas

2. Iš bakelio išimkite medžiaginį filtrą.

- **Pav.12:** 1. Medžiaginis filtras 2. Bakelis

3. Įdėkite priešfiltrį į bakelį, sulygiuodami montavimo padėties žymes su priešfiltrio ir bakelio žymėmis.

4. Įdėkite slopintuvą į priešfiltrį, tada ant slopintuvo uždėkite filtrą su milteliais, sulygiuodami montavimo padėties žymes su filtro su milteliais ir priešfiltrio žymėmis.

5. Ant bakelio uždėkite galvutės bloką ir pritvirtinkite fiksavimo skląščiais.

- **Pav.13:** 1. Galvutės blokas 2. Filtras su milteliais (HEPA) 3. Slopintuvas 4. Priešfiltris
5. Bakelis 6. Montavimo padėties žymės

PASTABA: Prieš naudodami filtrą su milteliais, įsitikinkite, kad priešfiltris ir slopintuvas visuomet būtų naudojami kartu. Draudžiama montuoti vien filtrą su milteliais.

Vandens filtro įrengimas

Pasirenkamas priedas

PASTABA: Niekada nesiurbkite vandens ar drėgnų dulkių, jei neįdėta plūdė ir medžiaginis arba vandens filtras.

PASTABA: Norėdami siurbti drėgnas dulkes, patikrinkite, ar valymo įrenginyje įdėti plūdės apgaubas ir plūdė.

PASTABA: Įrengdami vandens filtrą ant bakelio, tvirtai uždėkite jį ant bakelio angos taip, kad vandens filtro kablys tvirtai užsifiksuotų ant bakelio angos, o tarp vandens filtro iri bakelio neliktų tarpo.

Jei siurbti norite tik vandenį arba drėgnas dulkes, tam labiau tiks vandens filtras nei medžiaginis filtras. Dėdami vandens filtrą, ant jo esančias montavimo padėties žymes sulygiuokite su montavimo žyme ant bakelio.

► **Pav.14:** 1. Vandens filtras 2. Bakelis 3. Montavimo padėties žymės

PASTABA: Dažnai siurbiant didelius kiekius vandens, rekomenduojama naudoti vandens filtrą. Priešingu atveju, naudojant medžiaginį filtrą, susiurbimas gali būti mažesnis.

Popierinio paketo įdėjimas

Pasirenkamas priedas

▲JSPĖJIMAS: Prieš naudodami popierinį paketą įsitikinkite, kad medžiaginis filtras ir priešfiltris yra naudojami kartu. Jeigu kartu nenaudosite medžiaginio ir (arba) oro filtro, kils neįprastas triukšmas, o įrenginys pradės kaisti ir kils gaisras.

PASTABA: Niekada nesiurbkite vandens ar kitų skysčių bei drėgnų dulkių, jeigu naudojate popierinį paketą. Siurbiant tokias medžiagas, popierinis paketas gali suplyšti.

PASTABA: Naudodami medžiaginį filtrą įsitikinkite, kad plūdė ir plūdės apgaubas yra prisitvirtinę prie galvutės bloko.

PASTABA: Kai naudojate priešfiltrį, įsitikinkite, kad filtras su milteliais ir slopintuvais yra naudojami kartu.

1. Išlankstykite popierinį paketą.
 2. Sulygininkite popierinio paketo angą su bakelio dulkių įsiurbimo anga.
 3. Įdėkite popieriaus paketą į bakelį taip, kad kartoninė anga užsikabintų už popierinio paketo laikiklio.
- **Pav.15:** 1. Popierinis paketas 2. Kartoninė anga 3. Popierinio paketo laikiklis 4. Dulkių įsiurbimo anga

Polietileninio maišelio uždėjimas

Ant bakelio uždėję polietileninį maišelį, bakelį galite lengvai ištuštinti, nesusitępdami rankų.

Uždėkite polietileninį maišelį ant bakelio ir vieną bakelio viršutinio krašto pusę užkiškite už atviro galo tarp laikiklio plokštelės ir priekinės bakelio sienelės.

► **Pav.16:** 1. Laikiklio plokštelė 2. Priekinė bakelio sienelė 3. Polietilininis maišelis

Kitus maišelio viršutinius kraštus paskleiskite išorėje ant bakelio viršutinį kraštą. Medžiaginį filtrą arba priešfiltrį uždėkite ant polietileninio maišelio, kad tvirtai pritvirtintumėte maišelio angą.

► **Pav.17:** 1. Medžiaginis filtras ir (arba) priešfiltris

PASTABA: Galima naudoti parduotuvėje įsigijamą polietileninį maišelį. Rekomenduojama naudoti 0,04 mm arba storesnį maišelį.

PASTABA: Pripildžius per daug dulkių, maišelis lengvai plyšta, todėl maišelį pripildykite tik iki pusės.

Bakelio su polietileninio maišeliu ištuštinimas

▲JSPĖJIMAS: Prieš ištuštinami bakelį visada įsitikinkite, kad valymo įrenginys išjungtas, o akumulatoriaus kasetės išimtos. Nesilaikant šių nurodymų, kyla pavojus patirti elektros smūgį ir sunkiai susižeisti.

PASTABA: Saugokite plūdės apgaubą ir bakelį nuo stiprių smūgių. Smarkiai sutrenkus, įrenginio dalys gali deformuotis ir sutrūkti.

PASTABA: Ištuštinkite bakelį bent kartą per dieną, nors tai priklauso nuo siurbiamų dulkių kiekio bakelyje. Kitą dieną siurbimo galia sumažės ir suges variklis.

PASTABA: Tuštinami bakelį, neimkite už kablių arba skląsčių. Laikant už kablių arba skląsčių jie gali nulūžti.

Atleiskite fiksavimo skląsčius ir nukelkite galvutės bloką nuo bakelio. Prieš nukeldami filtrą nuo bakelio, nuo medžiaginio filtro arba priešfiltrio nukratykite dulkes.

Tada išimkite polietileninį maišelį iš bakelio ir ranka užspauskite maišelio angą.

► **Pav.18:** 1. Polietilininis maišelis 2. Bakelis

PASTABA: Atsargiai išimkite polietileninį maišelį iš bakelio, kad nesubraižytumėte ir nesuplėšytumėte užkliuvę už bakelio vidaus kraštų.

PASTABA: Ištuštinkite polietileninį maišelį, kol jis dar nėra pilnas. Jeigu dulkių bakelyje bus per daug, polietilininis maišelis gali suplyšti.

Universalus kablo montavimas

Universalų kablį naudokite nenaudojamai žarnai, reikmenims ir priedams, kad juos galėtumėte greitai ištraukti vos tik prireikus, laikyti.

► **Pav.19**

Uždėkite universalų kablį ant montavimo pagrindo ties valymo įrenginio galu, nustatydami universalus kablo bortelius pagal montavimo pagrindo griovelius.

► **Pav.20:** 1. Universalus kablys 2. Montavimo pagrindas

MAKPAC adapterio uždėjimas

Pasirenkamas priedas

Prijungiamus ir vieną ant kito dedamus MAKPAC laikymo dėklus galima uždėti ant valymo įrenginio su pasirinktamu adapteriu. Galima įsigyti įvairaus dydžio ir stilių asmeninius poreikius atitinkančius dėklus.

Uždėkite montavimo pagrindo kablį ant valymo įrenginio rankenos, kad montavimo pagrindo paviršius būtų nukreiptas į viršų, o rankeną užlenkite į uždarą padėtį.

- **Pav.21:** 1. Montavimo pagrindo kablys
2. Montavimo paviršius 3. Rankena

Uždėkite MAKPAC adapterį ant montavimo pagrindo kablio ir suverkite keturiais pateiktais varžtais.

- **Pav.22:** 1. MAKPAC adapteris 2. Montavimo pagrindo kablys 3. Varžtas

Atraminį skydelį pakelkite į viršų ir užveržkite rankenėlę, kad MAKPAC dėklai būtų paruošti sumontuoti ant valymo įrenginio.

- **Pav.23:** 1. Atraminis skydelis 2. Rankenėlė

PASTABA: Daugiau informacijos, kaip uždėti MAKPAC dėklus, žr. kartu su MAKPAC adapteriu ir dėklais pateikiamose instrukcijose.

Žarnos prijungimas

PASTABA: Žarnos niekada nesulenkite arba nesuspauskite. Valymo įrenginio niekada netraukite už žarnos. Stumiant, spaudžiant ir traukiant žarną, ji gali pratrūkti arba deformuotis.

PASTABA: Siurbdami dideles atliekas, pavyzdžiui, nuobliuotas drožles, betono dulkes arba kitas panašias nemažas šiukšles, naudokite 38 mm vidinio skersmens žarną (papildomą priedą). Naudojant 28 mm vidinio skersmens žarną (papildomas priedas), ji gali užsikimšti ir sutrūkti.

Prijungimas prie valymo įrenginio

Žarnos galą įstatykite į valymo įrenginio dulkių įsiurbimo angą (žarnos įleidimo angą), tada sukite jį pagal laikrodžio rodyklę, kad spragtelėdamas užsifiksuotų.

- **Pav.24:** 1. Žarna 2. Dulkių įsiurbimo anga (žarnos įleidimo anga)

Prijungimas prie darbo įrankių (Priklauso nuo šalies)

Vakuuminį valymo įrenginį prijungus prie bet kurio su valymo įrenginiu suderinamo darbo įrankio, jis veiks kaip elektrinių įrankių dulkių trauktuvą.

Pasirinkite vieną iš priekinių antgalių arba jungčių (pasirenkami priedai), geriausiai tinkantį jūsų įrankio modeliui. Antgalius arba jungtis tinkamai įstatykite tarp priekinio valymo įrenginio žarnos galo ir įrankio dulkių trauktuvo.

- **Pav.25:** 1. Priekiniai antgaliai arba jungtis 2. Valymo įrenginio žarna 3. Elektrinis įrankis 4. Vakuuminis valymo įrenginys

Valymo įrenginio priedų montavimas ir nuėmimas

⚠ PERSPĖJIMAS: Pritvirtinę priedą patikrinkite, ar jis patikimai įsitvirtino. Jei priedą pritvirtinsite netinkamai, jis gali nukristi ir sužaloti.

Priedo naudojimas be užrakinimo funkcijos

Pasirenkamas priedas

Įstatykite priedą į valymo įrenginio įsiurbimo angą stumdami ir ranka prisukdami varžtais reikiamoje vietoje. Pasinaudoję pasukite priedą ranka ir traukdami atjunkite nuo įsiurbimo angos.

- **Pav.26**

Priedai su fiksavimo funkcija

Pasirenkamas priedas

PASTABA: Įdėdami priedą su užrakto funkcija, sulygiuokite atleidimo mygtuką su priedo kabliu. Jų nesutapdinus, priedas nebus užfiksuotas ir gali nukristi nuo siurblio.

Įstatykite priedą į valymo įrenginio įsiurbimo angą ir stumkite vieną į kitą, kol užsifiksuos. Norėdami priedą nuimti, spausdami atleidimo mygtuką patraukite už priedo.

- **Pav.27:** 1. Įsiurbimo anga su fiksavimo funkcija
2. Atlaisvinimo mygtukas 3. Priedas su fiksavimo funkcija

PASTABA: Priedą su fiksavimo funkcija galima sumontuoti tik prie įsiurbimo angos su fiksavimo funkcija.

- **Pav.28:** 1. Priedas su fiksavimo funkcija 2. Įsiurbimo anga su fiksavimo funkcija 3. Įsiurbimo anga be fiksavimo funkcijos

Slankiojamojo tipo ilginamojo vamzdžio ilgio reguliavimas

Pasirenkamas priedas

Slankiojamojo tipo ilginamąjį vamzdį galima naudoti keliuose padėtyse, kad būtų gautas didesnis ir mažesnis ilgis. Tokiu būdu galima išvalyti sunkiai pasiekiamas vietas ir nustatyti patogią naudojimo padėtį.

Suskleiskite slankiojantį vamzdį arba ištraukite, tuo pat metu laikydami nuspaudę slankiojimo mygtuką, kad pakeistumėte vamzdžio ilgį.

Atleiskite slankiojimo mygtuką, kad užfiksuotumėte slankiojantį vamzdį į norimą padėtį.

- **Pav.29:** 1. Slankiojantis vamzdis 2. Slankiojimo mygtukas

TECHINĖ PRIEŽIŪRA

▲ PERSPĖJIMAS: Prieš atlikdami patikrą ir priežiūros darbus, visuomet įsitikinkite, kad prietaisas yra išjungtas ir akumulatoriaus kasetės išimtos.

PASTABA: Niekada nenaudokite gazolino, benzino, tirpiklio, spirito arba panašių medžiagų. Gali atsirasti išblukimų, deformacijų arba įtrūkimų.

Kad gaminys būtų SAUGUS ir PATIKIMAS, jį taisyti, apžiūrėti ar vykdyti bet kokią kitą priežiūrą ar derinimą turi įgaliotasis kompanijos „Makita“ techninės priežiūros centras; reikia naudoti tik kompanijos „Makita“ pagamintas atsargines dalis.

Priedų saugojimas

Nenaudojamus reikmenis ir priedus, pvz., antgalius ir šepetčius, galima užkabinti ir laikyti ant universalaus kablo valymo įrenginio gale.

► **Pav.30:** 1. Universalus kablys 2. Nenaudojami reikmenys ir priedai

Prietaiso trumpą laiką nenaudojant, vamzdžius (su sumontuotu pasirenkamu stabdikliu) galima dėti į vamzdžių laikiklį.

► **Pav.31:** 1. Stabdiklis (pasirenkamas priedas) 2. Vamzdžių laikiklis

Žarną galima apvynioti ir laikyti apvyniotą aplink valymo įrenginio korpusą arba rankeną didelėmis kilpomis. Sujunkite abu galus suformuodami kilpas, o pastarąsias užkabinkite už pakeltos rankenos. Arba pagrindo galą laikykite įdėtą į žarnos įleidimo angą, kilpas užkabinkite už universalaus kablo, o laisvą galą prižiūrėkite.

► **Pav.32**

► **Pav.33**

Medžiaginio filtro valymas

Medžiaginį filtrą valykite reguliariai, nes šiam užsikimšus gali suprastėti siurbimo galia.

Kartkartėmis ranka nuvalykite ir nukratykite dulkes nuo medžiaginio filtro.

► **Pav.34:** 1. Medžiaginis filtras

Filtro su milteliais (HEPA) ir priešfiltrio valymas

Pasirenkamas priedas

Filtrą su milteliais, priešfiltrį ir slopintuvą valykite reguliariai, nes užsikimšus filtrams ir slopintuvui gali suprastėti siurbimo galia.

Kaip nustatyta, nuo filtrų ir slopintuvo ranka nuvalykite ir nukratykite dulkes.

Retkarčiais išplaukite filtrą su milteliais vandenyje, išskalaukite ir, prieš naudodami, visiškai išdžiovininkite pavėsyje. Niekada neplaukite filtrų indaplovėje.

► **Pav.35**

PASTABA: Netrinkite arba negrandykite filtro su milteliais, priešfiltrio arba slopintuvo kietais daiktais, pavyzdžiui, šepetčiais ar mentelėmis.

PASTABA: Filtrai laikui bėgant susidėvi. Rekomenduojama turėti atsarginių filtrų dalių.

PASIRENKAMI PRIEDAI

▲ PERSPĖJIMAS: Šiuos papildomus priedus arba įtaisus rekomenduojama naudoti su šioje instrukcijoje nurodytu „Makita“ bendrovės įrankiu. Naudojant bet kokius kitus papildomus priedus arba įtaisus, gali kilti pavojus sužeisti žmones. Naudokite tik nurodytam tikslui skirtus papildomus priedus arba įtaisus.

Jeigu norite daugiau sužinoti apie tuos priedus, kreipkitės į artimiausią „Makita“ techninės priežiūros centrą.

- Žarna
- Priekiniai antgaliai (22, 24, 38)
- Tiesus vamzdis
- Ilginimo lazdelė
- Kampinis antgalis
- Apvalus šepetėlis
- Filtras su milteliais, HEPA (sausoms dulcėms)
- Slopintuvas
- Priešfiltris
- Vandens filtras
- Medžiaginis filtras
- Antgalių kompleksas
- Lenktas vamzdis
- Polietilininis maišelis
- Popierinis paketas
- MAKPAC adapteris
- Originalus „Makita“ akumulatorius ir įkroviklis

PASTABA: Kai kurie sąrašė esantys priedai gali būti pateikti įrankio pakuotėje kaip standartiniai priedai. Jie įvairiose šalyse gali skirtis.

HOIATUS

- Seade ei ole ette nähtud kasutamiseks füüsiliste, sensoorsete või vaimsete puuetega isikutele (k.a lapsed) ega isikutele, kellel puuduvad kogemused ja teadmised seadme ohutuks kasutamiseks.
- Lapsi tuleb jälgida, et nad puhastajaga ei mängiks.
- Seadmes kasutatava aku tüübi leiate peatükist „TEHNILISED ANDMED“.
- Aku paigaldamise või eemaldamise juhised leiate jaotisest „Akukasseti paigaldamine või eemaldamine“.
- Kasutuskõlbmatuks muutunud akukasseti kõrvaldamiseks eemaldage see tööriistast ja viige selleks ette nähtud kohta. Järgige kasutuskõlbmatuks muutunud aku kõrvaldamisel kohalikke eeskirju.
- Kui tööriista ei kasutata pika ajaperioodi jooksul, tuleb aku tööriistast eemaldada.
- Ärge tekitage akukasseti lühist.
- Üksikasjalikku teavet hooldamise ajal järgitavate ettevaatusabinõude kohta leiate peatükist „HOOLDAMINE“.

TEHNILISED ANDMED

| Mudel: | VC001GL | VC003GL |
|---|--|--------------------------|
| Standardfilter | Riided filter (kuivale ja märjale tolmule) | |
| Maksimaalne õhukogus (BL4040, ø32 mm x 1,7 m voolikuga) | 2,7 m ³ /min | |
| Imu (BL4040, ø32 mm x 1,7 m voolikuga) | 23 kPa | |
| Taastemaht | Tolm | 8 l |
| | Vesi | 6 l |
| Mõõtmed (P x L x K) | 366 mm x 334 mm x 425 mm | 366 mm x 334 mm x 475 mm |
| Nimipinge | Alalisvool 36 V – 40 V max | |
| Netokaal | 8,1–11,2 kg | 8,4–11,5 kg |
| Kaitseaste | IPX4 | |

- Meie pideva uuringu- ja arendusprogrammi tõttu võidakse tehnilisi andmeid muuta ilma sellest ette teatamata.
- Tehnilised andmed ja akukasseti võivad riigiti erineda.
- Kaal ei sisalda lisatarvikuid peale akukasseti. Seadme ja akukasseti (akukassettide) kõige kergem ja raskem kombineeritud kaal on näidatud tabelis.
- Märja tolmu jaoks on vajalikud ujuk ja veefilter või riided filter.

Sobiv akukassett ja laadija

| | |
|------------|---|
| Akukassett | BL4020 / BL4025 / BL4040* / BL4050F* / BL4080F* *: Soovituslik aku |
| Laadija | DC40RA / DC40RB / DC40RC |

- Mõned eespool loetletud akukassetid ja -laadijad ei pruugi olla teie riigis saadaval.

⚠ HOIATUS: Kasutage ainult ülalpool loetletud akukassette ja laadureid. Muude akukassettide ja laadurite kasutamine võib tekitada vigastusi ja/või tulekahju.

Sümbolid

Alljärgnevalt kirjeldatakse tingimärke, mida võidakse seadmetel kasutada. Enne seadme kasutamist tehke endale selgeks nende tähendus.



Lugege juhendit.



Olge äärmiselt ettevaatlik ja tähelepanelik.



Hoiatus! Tolmuimeja võib sisaldada ohtlikku tolmu.



Ärge kunagi seiske tolmuimeja peal.



Tolmuklass L (kerge). Tolmuimejad suudavad imeda klassile L vastavat tolmu. Järgige tolmu, töötõrvishoiudu ning ohutusnõudeid käsitlevat asukohariigi seadusandlust.



Ainult EL-i riikide puhul
Seadmes sisalduvate ohtlike osade tõttu võivad elektri- ja elektroonikaseadmete jäätmel, akude ja patareid avaldada negatiivset mõju keskkonnale ja inimeste tervisele. Elektri- ja elektroonikaseadmeid ega akusid ei tohi kõrvaldada koos olmejäätmetega! Euroopa elektri- ja elektroonikaseadmete jäätmel, akude ja patareide ning nende jäätmel direktiivi ja riiklikku õigusesse ülevõtmise kohaselt tuleb elektri- ja elektroonikaseadmete, akude ja patareide jäätmel koguda eraldi ning viia eraldiseisvasse olmejäätmete kogumispunkti, mis tegutseb kooskõlas keskkonnakaitse eeskirjadega. Sellele osutab seadmele paigaldatud läbikriipsutatud ratastega prügikasti sümbol.

Kavandatud kasutus

Seade on ette nähtud nii märja kui ka kuiva tolmu kogumiseks. Seade sobib teenuste osutamiseks nt hotellides, koolides, haiglates, tehastes, kauplustes, kontorites ja rendipindadel.

Müra

Tüüpiline A-korrigeeritud müratase, määratud standardi EN60335-2-69 kohaselt:

Mudel VC001GL

Helirõhutase (L_{pA}): 70 dB (A) või vähem
Määramatus (K): 2,5 dB (A)

Mudel VC003GL

Helirõhutase (L_{pA}): 70 dB (A) või vähem
Määramatus (K): 2,5 dB (A)

Töötamisel võib müratase ületada 80 dB (A).

MÄRKUS: Deklareeritud müra väärtust (väärtuseid) on mõeldud kooskõlas standardse katsemeetodiga ning seda võib kasutada ühe seadme võrdlemiseks teisega.

MÄRKUS: Deklareeritud müra väärtust (väärtuseid) võib kasutada ka mürataseme esmaseks hindamiseks.

⚠️HOIATUS: Kasutage kõrvakaitsmeid.

⚠️HOIATUS: Müratase võib elektritööriista tegelikkuses kasutamise ajal erineda deklareeritud väärtus(t)est olenevalt tööriista kasutusviisidest ja eriti töödeldavast toorikust.

⚠️HOIATUS: Rakendage operaatori kaitsmiseks kindlasti piisavaid ohutusabinõusid, mis põhinevad hinnangulisel müratasemel tegelikus töösihtuatsioonis (võttes arvesse tööperioodi kõiki osasid, näiteks korrad, kui seade lülitatakse välja ja seade töötab tühikäigul, lisaks tööajale).

Vibratsioon

Vibratsiooni koguväärtus (kolmeteljeliste vektorite summa) määratud standardi EN60335-2-69 kohaselt:

Mudel VC001GL

Vibratsioon ($a_{h,M}$): 2,5 m/s² või vähem
Määramatus (K): 1,5 m/s²

Mudel VC003GL

Vibratsioon ($a_{h,M}$): 2,5 m/s² või vähem
Määramatus (K): 1,5 m/s²

MÄRKUS: Deklareeritud vibratsiooni koguväärtust (-väärtuseid) on mõeldud kooskõlas standardse katsemeetodiga ning seda võib kasutada ühe seadme võrdlemiseks teisega.

MÄRKUS: Deklareeritud vibratsiooni koguväärtust (-väärtuseid) võib kasutada ka mürataseme esmaseks hindamiseks.

⚠️HOIATUS: Vibratsioonitase võib elektritööriista tegelikkuses kasutamise ajal erineda deklareeritud väärtus(t)est olenevalt tööriista kasutusviisidest ja eriti töödeldavast toorikust.

⚠️HOIATUS: Rakendage operaatori kaitsmiseks kindlasti piisavaid ohutusabinõusid, mis põhinevad hinnangulisel müratasemel tegelikus töösihtuatsioonis (võttes arvesse tööperioodi kõiki osasid, näiteks korrad, kui seade lülitatakse välja ja seade töötab tühikäigul, lisaks tööajale).

EÜ vastavusdeklaratsioon

Ainult Euroopa riikide puhul

EÜ vastavusdeklaratsioon sisaldub käesoleva juhendi Lisas A.

OHUTUSHOIATUSED

Juhtmeta tolmuimeja ohutusnõuded

⚠️HOIATUS: ÄÄRMISELT OLULINE ON ENNE KASUTAMIST lugeda tähelepanelikult läbi kõik ohutushoiatused ja juhised. Hoiatuste ja juhtnõude mittejärgmine võib põhjustada elektrišokki, tulekahju ja/või tõsisid vigastusi.

1. Kõik tolmuimejaga töötavad isikud peavad saama enne seadme kasutamist piisava väljaõppe.
2. Enne kasutamist tuleb kasutajatele jagada teavet, juhiseid ja koolitusi masina kasutamise ja ainete kohta, milleks masinat kasutama hakatakse, sh kogutud materjali ohutu eemaldamise ja utiliseerimise kohta.
3. Kui eraldub vahu/vedelikku, lülitage seade viivitamatult välja.
4. Puhastage regulaarselt veetaseme reguleerimiseadet ja kontrollige, et sellel ei oleks kahjustusi.
5. Enne kasutamist veenduge alati, et filtrid oleks õigesti paigaldatud. Ärge kasutage seadet filtriteta. Vahetage kahjustunud filter kohe välja. Soovitatav on hoida käepärast varufiltreid, sest filtrid on kulutarvikud.
6. VÄLTIGE ETTEKAVATSEMATUT KÄIVITAMIST. Aku(de) ühendamine eel veenduge, et tolmuimeja lüliti oleks VÄLJALÜLITATUD asendis.
7. Ärge püüdke tolmuimejaga imeda tuleohtlikke materjale, pürotehnilisi aineid, süüdatud sigarette, kuuma tuhka, kuumi metallilaste, teravaid esemeid (nt žiletiterad, nõelad, klaasikillud jms).

8. **ÄRGE KASUTAGE TOLMUIMEJAT BENSIINI, GAASI, VÄRVI VÕI TEISTE PLAHVATUSOHTLIKE AINETE LÄHEDUSES.** Lüliti keeramisel SISSE või VÄLJA tekitab sädemed. Ka mootori kommutaator eraldab töötamise ajal sädemeid. Selle tagajärjel võib tekkida ohtlik plahvatus.
 9. Ärge kunagi imege tolmuimejasse mürgiseid, kantserogeenseid, süttivaid ega muid tervisele ohtlikke aineid (nt asbest, arseen, baarium, berüllium, plii, pestitsiidid jms).
 10. Paigutage tolmuimeja alati horisontaalsele tasasele pinnale, et vältida selle ümberkukkimist või tahtmatut liikumist.
 11. Ärge kunagi kasutage tolmuimeajat õues vihma käes.
 12. Soomes ei tohi masinat madala temperatuuri korral õues kasutada.
 13. Ärge kasutage soojusallikate (ahjud jms) läheduses.
 14. Kui heitõhku väljutatakse siseruumis, on ruumis vaja tagada piisav õhuvahetuse kiirus. Vajaduse korral järgige riiklike eeskirju.
 15. Ärge tõkestage imi-/väljalaske-/jahutusavasid. Jahutusavade kaudu jahutatakse mootorit. Jälgige hoolikalt, et avad ei oleks tõkestatud, sest muidu võib mootor ventilatsiooni puudumise tõttu läbi põleda.
 16. Hoidke jalad kogu aeg kindlalt maas ja hoidke tasakaalu.
 17. Ärge murdke voolikut kokku ega tirige seda.
 18. Seisake tolmuimeja kohe, kui märkate seadme jõudluse vähenemist või muid tõrkeid.
 19. **EEMALDAGE AKU(D).** Tolmuimeja tuleb vooluallikast eemaldada, kui seda ei kasutata, ning enne hooldamist ja tarvikute vahetamist.
 20. Puhastage ja hooldage tolmuimeajat kohe pärast igat kasutust, et seade oleks alati laitmatus töökorras.
 21. **HOOLITSEGE OMA TOLMUIMEJA EEST.** Hoidke tolmuimeajat puhtana, et tagada parem ja ohutum töötamine. Järgige tarvikute vahetamise juhtnõore. Hoidke käed kuivad, puhtad ning õli- ja rasvavabad.
 22. **KONTROLLIGE KAHJUSTUNUD KOMPONENTE.** Enne tolmuimeja edasist kasutamist tuleb hoolikalt kontrollida kahjustatud kaitset või muud seadme osa, et teha kindlaks, kas see töötab edaspidi nõuetekohaselt ja täidab oma otstarvet. Kontrollige liikuvate osade tsentreeringut, liikuvate osade kokkujooksu, purunenud osi, osade paigaldust ja muid tingimusi, mis võivad mõjutada tolmuimeja funktsioneerimist. Kahjustatud kaitse või seadme muu osa tuleb nõuetekohaselt parandada või vahetada välja volitatud teeninduskeskuses, kui kasutusjuhendis ei ole soovitatud teisiti. Laske defektsed lülitid vahetada välja volitatud teeninduskeskuses. Ärge kasutage tolmuimeajat, kui selle lüliti ei lülita seadet sisse ega välja.
 23. Hoolduse käigus tuleb masinat lahti võtta, puhastada ja hooldada niipalju, kui see on mõistlikult võimalik, ning ilma hooldustöötajaid ja teisi ohustama.
 24. Tootja või instrueeritud isik peab tegema masinale vähemalt kord aastas tehnilise ülevaatuse, mis koosneb näiteks filtrite kontrollimisest kahjustuste suhtes, masina õhutiheduse kontrollimisest ja juhtmehhanismi õige töötamise kontrollimisest.
 25. Seadet hooldades või parandades tuleb kõik saastunud esemed, mida ei ole võimalik rahuldavalt puhastada, utiliseerida. Sellised osad tuleb utiliseerimiseks panna kehtivatele nõuetele vastavatesse lekkekindlatesse kottidesse.
 26. **VARUOSAD.** Kasutage osade väljavahetamiseks ainult originaalvaruosid.
 27. **TOLMUIMEJA HOIUNDAMINE.** Kui tolmuimeajat ei kasutata, tuleb seda hoiundada sisetingimustes.
 28. Märgfiltrid ja vedelikumahuti siseosa tuleb enne hoiustamist ära kuivatada.
 29. Käsitsege oma tolmuimeajat hoolikalt. Jõuline käsitsemine võib põhjustada isegi kõige tugevama konstruktsiooniga tolmuimeja purunemise.
 30. Ärge puhastage tolmuimeja sisetest ega pealispinda bensiini, lahusti või keemiliste puhastusvahenditega. See võib põhjustada pragude tekkimist ning värvuse lüütmist.
 31. Ärge kasutage tolmuimeajat kinnises ruumis, kus võib esineda õlipõhisest värvist, värvivedelidist, bensiinist, teatud koitõrvvahenditest jms ainetest tingitud tule- või plahvatusohtlike või mürgiseid auruksid, ega piirkondades, kus on kergesti süttivat tolmu.
 32. Ärge kasutage seda ega ühtki teist seadet, kui olete ravimite või alkoholi mõju all.
 33. Järgige ohutuse põhinõuet ja kasutage küljekaitsemega kaitseprille.
 34. Tolmuste töötingimuste korral kandke tolmu maski.
 35. Seade ei ole ette nähtud kasutamiseks füüsiliste, sensoorsete või vaimsete puuetega isikutele (k.a lapsed) ega isikutele, kellel puuduvad kogemused ja teadmised seadme ohutuks kasutamiseks.
 36. Lapsi tuleb jälgida, et nad puhastajaga ei mängiks.
 37. Ärge kunagi käsitsege akut (akusid) ega tolmuimeajat märgade kätega.
 38. Treppide puhastamisel olge äärmiselt ettevaatlik.
 39. Ärge kasutage tolmuimeajat toolina ega pingina. Masin võib ümber kukkuda ning tekitada kehavigastusi.
- Akuga tööriista kasutamine ja hooldus**
1. Laadige alati laadijaga, mille tootja on heaks kiitnud. Laadija, mis sobib kasutamiseks ühte tüüpi akuga, võib kaasa tuua tulekahjuohtu, kui seda kasutada koos mõnda teist tüüpi akuga.
 2. Kasutage elektritööriista üksnes spetsiaalselt neile toodetud akudega. Mis tahes muude akude kasutamine võib tekitada tervisekahjustusi või tulekahjuohtu.
 3. Kui akut ei kasutata, ärge hoidke seda koos muude metalliesemetega, nagu kirjaklambrid, mündid, võtmed, naelad, kruvid jm väiksed metalliesemed, mis võivad tekitada ühenduse klemmide vahel. Akuklemmide lühis võib põhjustada põletusi ja tulekahjuohtu.

4. Väärkasutamise tagajärjel võib akust valguda välja vedelikku; ärge seda puudutage. Kui olete selle vedelikuga siiski kogemata kokku puutunud, uhtke kohta veega. Kui vedelik on sattunud silma, minge arsti juurde. Akust väljalavalgunud vedelik võib põhjustada ärritust ja põletusi.
5. Ärge kasutage akupaketti ega tööriista, mis on kahjustatud või muudetud. Kahjustatud või muudetud akud võivad käituda etteaimamatult, põhjustades süttimis-, plahvatus- või vigastusohu.
6. Kaitske akupaketti ja tööriista tule ja kõrge temperatuuri eest. Tule või kõrgema kui 130 °C temperatuuriga kokkupuutumine võib tuua kaasa plahvatuse.
7. Pidage kinni kõigist laadimisjuhustest ja ärge laadige akupaketti ega tööriista väljaspool juhendis märgitud temperatuurivahemikku. Valesi või väljaspool märgitud temperatuurivahemikku laadimine võib kahjustada akupaketti ja suurendada süttimisohu.
9. Ärge kasutage kahjustatud akut.
10. Sisalduvatele liitium-ioonakudele võivad kohalduvad ohtlike kaupade õigusaktide nõuded. Kaubanduslikul transportimisel, näiteks kolmandate poolte või transpordiettevõtete poolt, tuleb järgida pakendil ja sihtidel toodud erinõudeid. Transportimiseks ettevalmistamisel on vajalik pida nõu ohtliku materjali ekspertidega. Samuti tuleb järgida võimalike riiklike regulatsioonide üksikasjalikumaid nõudeid. Katke teibiga või varjake avatud kontaktid ja pakendage aku selliselt, et see ei saaks pakendis liikuda.
11. Kasutuskõlbmatuks muutunud akukasetti kõrvaldamiseks eemaldage see tööriistast ja viige selleks ette nähtud kohta. Järgige kasutuskõlbmatuks muutunud aku kõrvaldamisel kohalike eeskirju.
12. Kasutage akusid ainult Makita heaks kiidetud toodetega. Akude paigaldamine selleks mitte ettenähtud toodetele võib põhjustada süttimist, ülemäära kuumust, plahvatamist või elektroüüdi lekkimist.
13. Kui tööriista ei kasutata pika ajaperioodi jooksul, tuleb aku tööriistast eemaldada.
14. Kasutamise ajal ja pärast kasutamist võib akukasetti kuumeneda, mis võib põhjustada põletusi või madala temperatuuri põletusi. Olge kuuma akukasetti kandmisel ettevaatlik.
15. Ärge puudutage tööriista klemmi kohe pärast kasutamist, sest see võib olla kuum ja põhjustada põletusi.
16. Hoidke akukasetti klemmid, avad ja sooned tükikestest, tolmust ja mullast puhtad. See võib põhjustada tööriista või aku ülekuumenemist, süttimist, purunemist ja talitlushäireid, mis võib lõppeda põletuste või kehavigastustega.
17. Kui tööriist ei kannata kasutamist kõrgepingeliinide lähedal, ärge kasutage akukasetti kõrgepingeliinide lähedal. Muudu võib tööriist või akukasett puruneda või sellel tõrge tekkida.
18. Hoidke akut lastele kättesaamatult.

HOIDKE JUHEND ALLES.

⚠HOIATUS: ÄRGE UNUSTAGE järgida toote ohutusnõudeid mugavuse või toote (korduskasutamise saavutatud) hea tundmise tõttu. VALE KASUTUS või kasutusjuhendi ohutuseeskirjade eiramine võib põhjustada tervisekahjustusi.

Akukasettiga seotud olulised ohutusjuhised

1. Enne akukasetti kasutamist lugege (1) akulaadidial, (2) akul ja (3) seadmel olevad juhtnöörid ja hoiatused läbi.
2. Ärge võtke akukasetti lahti ega muutke seda. See võib põhjustada tulekahju, liigset kuumust või plahvatuse.
3. Kui tööaeg järsult lüheneb, siis lõpetage kohe kasutamine. Edasise kasutamise tulemuseks võib olla ülekuumenemisoht, võimalikud põletused või isegi plahvatus.
4. Kui elektrolüüti satub silma, siis loputage silma puhta veega ja pöörduge koheselt arsti poole. Selline õnnetus võib põhjustada pimedaksjäämist.
5. Ärge tekitage akukasetti lühist:
 - (1) Ärge puutuge klemme elektrijuhtidega.
 - (2) Ärge hoidke akukasetti tööriistakastis koos metallsemetega, nagu naelad, mündid jne.
 - (3) Ärge tehke akukasetti märjaks ega jätke seda vihma kätte.
 Aku lühis võib põhjustada tugevat elektrivoolu, ülekuumenemist, põletusi ning ka seade tõsiselt kahjustada.
6. Ärge hoidke ega kasutage tööriista ja akukasetti kohtades, kus temperatuur võib tõusta üle 50 °C (122 °F).
7. Ärge põletage akukasetti isegi siis, kui see on saanud tõsiselt vigastada või on täiesti kuldunud. Akukasett võib tules plahvata.
8. Ärge naelutage, löigake, muljuge, visake akukasetti ega laske sel kukkuda, samuti ärge lööge selle pihnta kõva esemega. Selline tegevus võib põhjustada tulekahju, liigset kuumust või plahvatuse.

HOIDKE JUHEND ALLES.

⚠ETTEVAATUST: Kasutage ainult Makita originaalakusid. Mitte Makita originaalakude või muudetud akude kasutamine võib põhjustada akude süttimise, kehavigastuse ja kahjustuse. Samuti muudab see kehtetuks Makita tööriista ja laadija Makita garantii.

Vihjeid aku maksimaalse kasutaja tagamise kohta

1. Laadige akukasetti enne selle täielikku tühjenemist. Kui märkate, et tööriist töötab väiksema võimsusega, peatage töö ja laadige akukasetti.
2. Ärge laadige täielikult laetud akukasetti. Ülelaadimine lühendab akude kasutusiga.
3. Laadige akukasetti toatemperatuuril 10 °C - 40 °C. Enne laadimist laske kuumenenud akukasetti maha jahtuda.
4. Kui te ei kasuta parajasti akukasetti, eemaldage see tööriistast või laadurist.
5. Kui te ei kasuta akukasetti kauem kui kuus kuud, laadige see.

OSADE KIRJELDUS

► **Joon.1:** 1. Peaos 2. Ujuk 3. Ujuki puur 4. Riidest filter 5. Paak

FUNKSIONAALNE KIRJELDUS

⚠ETTEVAATUST: Kandke alati hoolt selle eest, et seade oleks enne reguleerimist ja kontrollimist välja lülitatud ning akusettid eemaldatud.

Akukasseti paigaldamine või eemaldamine

⚠ETTEVAATUST: Lülitage seade alati enne akusettide paigaldamist või eemaldamist välja.

⚠ETTEVAATUST: Hoidke tolmuimejat ja akusette kindlalt käes, kui paigaldate või eemaldate akusette. Kui seda ei tehta, võivad need teie käest maha libiseda, põhjustades seadme ja akusettide kahjustusi või kehavigastusi.

⚠ETTEVAATUST: Olge akukatte avamisel ja sulgemisel ettevaatlik, et mitte sõrmi vahele jätta. Selle eiramise tagajärjeks võib olla kehavigastus.

Seadmel on kaks akupesa. Kahe paralleelselt paikneva akuga saate oma tööaega ühe või mitme kasutuskorraga pikendada, ilma et peaksite akusid uuesti laadima. Seade töötab ka ühe akuga, nii et saate valida töö kas kahe või ühe akuga, vastavalt oma vajadustele.

► **Joon.2:** 1. Vasak akupesa 2. Parem akupesa

Kahe akuga

Kahe akuga pidev kasutamine võimaldab pikemat tööaega ja tõhusamat puhastamist. Kui esimene aku hakkab tühjaks saama, lülitub seade automaatselt teiteallikale, nii et see jätkab tööd teise akuga.

MÄRKUS: Vasakul akupesal (kui vaadata seadme esiosa suunas) on parempoolse akupesa ees prioriteet. Parem akupesa tuvastatakse teiteallikana ainult siis, kui vasakpoolese akupessa pole akut paigaldatud või kui vasakpoolese akupesas olev aku on tühjaks saanud.

MÄRKUS: Võite aku vasakust akupesast välja võtta ja seda laadida ilma tööd lõpetamata, kui seade oma teiteallika vasakust akupesast paremale vahetanud. Vasakule akupesale prioriteedi tagastamiseks pärast laetud aku paigaldamist tuleb seade taaskäivitada.

Ühe akuga

Vasaku või parema akupesa teiteallikana on vajalik ainult üks aku. Seade määrab vastavalt kasutustingimustele automaatselt, milline akupesa on saadaval.

Paigaldamine ja eemaldamine

Akukassettide paigaldamiseks vabastage esmalt lukk ja seejärel avage akukate. Nüüd sisestage akusettid.

► **Joon.3:** 1. Lukk 2. Akukate

Joondage akusettidel olevad keel korpuses olevate soonega ja libistage kassett oma kohale. Sisestage need tervenisti, kuni need lukustuvad klõpsuga oma kohale.

Lukustage akukate.

► **Joon.4:** 1. Akukassett 2. Nupp

Akukassettide eemaldamiseks lükake need akuhoidiku küljest lahti, vajutades samal ajal kassettide esiküljel olevat nuppu.

⚠ETTEVAATUST: Paigaldage akusett alati täielikult. Muidu võib kassett juhuslikult seadmest välja kukkuda ning põhjustada teile või läheduses viibivatele isikutele vigastusi.











⚠ETTEVAATUST: Ärge rakendage akusetti paigaldamisel jõudu. Kui kassett ei lähe kergesti sisse, pole see õigesti paigaldatud.

MÄRKUS: Kui seade lülitab teiteallika esimeselt akult teisele, võib see vajada töö ajutist peatamist, kuna esineb kerge imemiskadu. See ei ole rike, nii et seade taastub ja jätkab tööd kohe pärast väikest pausi.

Aku jääkmahutavuse näit

Akukasseti järelejäänud mahutavuse kontrollimiseks vajutage kontrollimise nuppu. Märgulambid süttivad mõneks sekundiks.

► **Joon.5:** 1. Märgulambid 2. Kontrollimise nupp

| Märgulambid | | | Jääkmahutavus |
|---|---|--|-----------------------|
|  Pöleb |  Ei põle |  Vilgub | |
|  | | | 75 - 100% |
|  | | | 50 - 75% |
|  | | | 25 - 50% |
|  | | | 0 - 25% |
|  | | | Laadige akut. |
|  | | | Akul võib olla tõrge. |
|  | | | |

MÄRKUS: Näidatud mahutavus võib veidi erineda tegelikust mahutavusest olenevalt kasutustingimustest ja ümbritseva keskkonna temperatuurist.

MÄRKUS: Esimene (taga vasakul asuv) märgutuli vilgub, kui akukaitsesüsteem töötab.

Akunäidikud juhtpaneelil

Aku järelejäänud mahtu saab juhtpaneelilt igal ajal vaadata. Vajutage kontrollimise nuppu ning vasakule ja paremale näidikule kuvatakse vastav aku laetuse tase.

► **Joon.6:** 1. Akunäidikud 2. Kontrollimise nupp

► **Joon.7**

| Akunäidiku olek | | | Aku jääkmahutavus |
|-----------------|---------|--------|---------------------|
| Pöleb | Ei põle | Vilgub | |
| | | | 50% kuni 100% |
| | | | 20% kuni 50% |
| | | | 0% kuni 20% |
| | | | Laadige akut |
| | | | Aku pole sisestatud |

MÄRKUS: Akunäidikud aktiveeruvad ka siis, kui seade hakkab tööle või vahetab toiteallika ühelt teiselt.

Seadme/aku kaitsesüsteem

Seadmel on seadme/aku kaitsesüsteem. Süsteem lülitab mootori automaatselt välja, et pikendada seadme ja aku tööiga. Seade seiskub käitamise ajal automaatselt, kui seadme või aku kohta kehtib üks järgmistest tingimustest.

Ülekoormuskaitse

Kui seade/aku hakkab kasutamise käigus tarbima ebaharilikult palju voolu, seiskub tööriist automaatselt. Sel juhul lülitage seade välja ja lõpetage seadme ülekoormuse põhjustanud töö. Pärast seda käivitage seade uuesti.

Ülekuumenemiskaitse

| Pöleb | Vilgub |
|-------|--------|
| | |

Kui seade on ülekuumenenud, seiskub see automaatselt ja nii vasak kui ka parem aku näidik vilguvad. Sel juhul laske seadmel enne uuesti sisselülitamist maha jahtuda.

| Pöleb | Vilgub |
|-------|--------|
| | |

Kui aku on ülekuumenenud, peatub seade automaatselt ja üks ülekuumenenud aku märgutuledest vilgub. Sel juhul laske akul enne uuesti sisselülitamist maha jahtuda.

Ülelaadimiskaitse

Kui aku jääkmahutavus on väike, siis seiskub seade automaatselt. Kui seade ei hakka lülitite kasutamisel tööle, eemaldage akud ja laadige neid.

Kaitse muude põhjuste korral

Kaitsesüsteem on mõeldud ka muude põhjuste jaoks, mis võivad seadet kahjustada, ja võimaldab seadmel automaatselt seiskuda. Kui seade on ajutiselt peatatud või seiskunud, toimige põhjuste kõrvaldamiseks järgnevalt.

1. Lülitage seade välja ja seejärel taaskäivitamiseks uuesti sisse.
2. Laadige akut (akusid) või asendage aku (akud).
3. Laske seadmel ja akul (akudel) jahtuda.

Kui kaitsesüsteemi taastamisega ei õnnestu olukorda parandada, võtke ühendust kohaliku Makita hoolduskeskusega.

Lüliti funktsioneerimine

Seadme sisselülitamine

1. Ooterežiimi seadmiseks pöörake ooterežiimi lüliti asendisse I (SISSE).
2. Vajutage toitenuppu. Ooterežiimi naasmiseks vajutage uuesti toitenuppu.

Seadme väljalülitamine

Tehke üks järgmistest toimingutest.

- Vajutage toitenuppu, et seade taas ooterežiimi lülitada, ja keerake seejärel ooterežiimi lüliti asendisse O (VÄLJAS).
- Pöörake ooterežiimi lüliti asendisse O (VÄLJAS).

Imemisjõu reguleerimine

Imemisjõudu saab reguleerida olenevalt tehtavast tööst.

- Imemisjõu vähendamiseks keerake imemisjõu reguleerimisnuppu vasakule.
- Imemisjõu suurendamiseks keerake imemisjõu reguleerimisnuppu paremale.

► **Joon.8:** 1. Ooterežiimi lüliti 2. Toitenupp
3. Imemisjõu reguleerimisnupp

Imemise automaatne seiskamine märja imemise ajal

⚠ HOIATUS: Äрге kasutage tolmuimejat kaua, kui ujuk töötab. Tolmuimeja kasutamine pikka aega sel ajal, kui ujuk töötab, võib põhjustada ülekuumenemist, mille tagajärjel tolmuimeja võib deformeeruda.

⚠ HOIATUS: Äрге imege tolmuimejasse vahtu ega seebist vedelikku. See võib põhjustada vahuga väljaimbumist õhu väljalaskeavast enne, kui ujuk tööle hakkab. Kui seadet kasutatakse pikemalt sellises olukorras, võib tagajärjeks olla elektrilöökk ja seadme purunemine.

Automaatne imemise peatamise funktsioon töötab ainult siis, kui seadet kasutatakse koos ujuki ja ujuki puuriga. Tolmuimeja on varustatud ujukmehhanismiga, mis takistab vee imbustumist mootoris, kui tolmuimejasse imetakse teatud kogusest rohkem vett. Kui paak on täis ja tolmuimeja enam vett ei ime, lülitage tolmuimeja välja ja tühjendage paak.

Rataste lukustamine ja avamine

Tagumised rattad saab hoova abil lukustada, et seade oma kohal püsiks.

Ratta lukustamiseks laske hoob käsitsi alla ja vabastamiseks tõstke see üles.

► **Joon.9:** 1. Ratas 2. Lukustushoob 3. VABASTATUD asend 4. LUKUSTATUD asend

MÄRKUS: Tolmuimeja liigutamisel kontrollige, et ratas ei oleks lukustatud. Lukustatud asendis rattaga tolmuimeja liigutamine võib ratast kahjustada.

Kandepide

⚠ETTEVAATUST: Tõstke ja kandke seadet nõuetekohase ettevaatusega. Muidu võib see põhjustada kehavigastusi või seadme kahjustusi.

Tolmuimejat kandes hoidke seda tolmuimeja peaosalt olevast käepidemest. Kui käepidet ei kasutata, saab selle peaosasisse vajutada.

► **Joon.10**

KOKKUPANEK

⚠ETTEVAATUST: Kandke alati hoolt selle eest, et seade oleks enne igasuguseid hooldustöid välja lülitatud ja akukassetid eemaldatud.

⚠ETTEVAATUST: Kokkupaneku ja hoolduse ajal kandke alati tolmu maski.

Peentolmu- (HEPA) ja eelfiltri (kuiva tolmu jaoks) paigaldamine

Valikuline tarvik

⚠ETTEVAATUST: Ärge kunagi koguge tolmuimejasse vett, muid vedelikke ega märga tolmu, kui kasutate peentolmufiltrit. Sellised ained võivad põhjustada peentolmufiltrit purunemise.

Peentolmufiltrit kasutamine:

1. Keerake lahti ujuki puuri kinnitavad kruvid ja seejärel eemaldage kruvid, ujuki puur ja ujuk peaosast.
► **Joon.11:** 1. Kruvi 2. Ujuki puur 3. Ujuk 4. Peaosast
2. Võtke riidest filter paagist välja.
► **Joon.12:** 1. Riidest filter 2. Paak
3. Asetage eelfilter paaki, joondades eelfiltri ja paagi paigaldusasendi märgistused.
4. Asetage summuti eelfiltrisse ja seejärel pange peentolmufilter summuti kohale, joondades peentolmufiltrit ja eelfiltrit olevad paigaldusasendi märgistused.
5. Paigaldage peaosast paagi kohale ja kinnitage need sulguritega.
► **Joon.13:** 1. Peaosast 2. Peentolmufilter (HEPA) 3. Summuti 4. Eelfilter 5. Paak 6. Paigaldusasendi märgistused

TÄHELEPANU: Peentolmufiltrit tuleb alati kasutada koos eelfiltri ja summutiga. Peentolmufiltrit ei tohi paigaldada ilma eelnimetatud komponentideta.

Veefiltri paigaldamine

Valikuline tarvik

TÄHELEPANU: Ärge kunagi koguge tolmuimejasse vett ega märga tolmu ilma ujuki ja riidest filtri või veefiltri.

TÄHELEPANU: Märga tolmu kogumiseks peavad tolmuimejasse olema paigaldatud ujuki puur ja ujuk.

TÄHELEPANU: Veefiltrit paigaldades seadke see tihedalt paagi avasse, et veefiltri konks haakuks kindlalt paagi avaga ning veefiltri ja paagi vahele ei jääks ruumi.

Ainult vee või märga tolmu kogumiseks sobib veefiltri paremini kui riidest filter.

Veefiltrit paigaldades joondage selle paigaldusasendi märgistus paagil oleva märgistusega.

► **Joon.14:** 1. Veefilter 2. Paak 3. Paigaldusasendi märgistus

MÄRKUS: Veefiltrit on soovitatav kasutada korduvaks suure veekoguse kogumiseks. Muidu võib imemisvõimsus riidest filtri kasutamisel väheneda.

Pabertolmukoti paigaldamine

Valikuline tarvik

⚠HOIATUS: Enne pabertolmukoti kasutamist kontrollige, et ka riidest filter ja eelfilter oleksid samal ajal kasutusel. Riidest filtri / eelfiltri kasutamata jätmine võib põhjustada ebatavalist müra ja kuumenemist, mille tagajärjel võib tekkida tulekahju.

TÄHELEPANU: Ärge kunagi koguge tolmuimejasse vett, muid vedelikke ega märga tolmu, kui kasutate pabertolmukotti. Sellised ained võivad põhjustada pabertolmukoti purunemise.

TÄHELEPANU: Riidest filtri kasutamise korral veenduge, et ujuk ja ujukipuur oleks paagi peaosast külge kinnitatud.

TÄHELEPANU: Eelfiltri kasutamise korral veenduge, et peentolmufilter ja summuti oleksid samal ajal kasutusel.

1. Avage pabertolmukott.
2. Joondage pabertolmukoti ava paagi tolmu sissevõtuavaga.
3. Paigaldage pabertolmukott paaki nii, et selle papist ava oleks pabertolmukoti hoidiku taha kinnitatud.
► **Joon.15:** 1. Pabertolmukott 2. Papi ava 3. Pabertolmukoti hoidik 4. Tolmu sissevõtuava

Polüetüleenkoti paigaldamine

Kui paaki on paigaldatud polüetüleenkott, saate paagi hõlpsalt tühjendada, ilma et käed määrduksid.

Asetage polüetüleenkott paagi kohale ja libstage koti ülemise ääre üks külg selle avatud otsast hoidiku plaadi ja paagi esiseina vahele.

- **Joon.16:** 1. Hoidiku plaat 2. Paagi esisein
3. Polüetüleenkott

Jaotage koti teised ülaseravad väljapoole paagi ülemise servi. Asetage riidest filter või eelfilter polüetüleenkoti kohale, et koti ava kindlalt kinnitada.

- **Joon.17:** 1. Riidest filter / eelfilter

MÄRKUS: Kasutada võib kaubandusvõrgus saada-
valolevaid polüetüleenkotte. Soovitatav on kasutada
paksusega 0,04 mm või paksemat polüetüleenkotti.

MÄRKUS: Liiga suur tolmukogus võib kotti rebes-
tada, seega ärge koguge kotti rohkem kui poole koti
jagu tolmu.

Polüetüleenkotiga paagi tühjendamine

⚠ HOIATUS: Enne paagi tühjendamist veen-
duge, et tolmuimeja oleks välja lülitatud ja aku-
kassetid eemaldatud. Selle nõude eiramine võib
põhjustada elektrilöögi ja raskeid kehavigastusi.

TÄHELEPANU: Vältige tugevaid lööke ujuki
puuri ja paagi pihta. Tugevad löögid võivad põhjus-
tada osade deformeerumist ning kahjustusi.

TÄHELEPANU: Tühjendage paaki vähemalt üks
kord päevas, lähtudes paaki kogutud tolmu kogu-
sest. Selle eiramise korral imemisjõud nõrgeneb ja
mootor võib puruneda.

TÄHELEPANU: Ärge hoidke paaki tühjendades
kinni konksudest ega sulguritest. Konksudest või
sulguritest haaramine võib neid purustada.

Vabastage lukustussulgurid ja tõstke peaosa paagist välja.
Enne filtri paagist välja tõstmist raputage tolm riidest
filtrist või eelfiltrist.

Seejärel eemaldage polüetüleenkott paagist ja sulgege
koti ava käsitsi.

- **Joon.18:** 1. Polüetüleenkott 2. Paak

MÄRKUS: Võtke polüetüleenkott paagist ettevaatli-
kult välja, et vältida paagi sees olevate servade krii-
mustamist ja rebenemist.

MÄRKUS: Tühjendage polüetüleenkotti enne selle
täitumist. Liiga suur tolmukogus paagis võib põhjus-
tada polüetüleenkoti rebenemise.

Mitmikkonksu paigaldamine

Mitmikkonksu abil saab hoida voolikut, lisaseadmed ja
tarvikud, mida ei kasutata, ja saate need vastavalt oma
eelistustele kiiresti välja võtta.

- **Joon.19**

Asetage mitmikkonks seadme tagaküljel oleva kin-
nitusosaluse kohale, seades mitmikkonksu rööpad piki
kinnitusosaluse sooni.

- **Joon.20:** 1. Mitmikkonks 2. Kinnitusosalus

MAKPAC-adapteri paigaldamine

Valikuline tarvik

Ühenduvaid ja vinnastatavaid MAKPAC-hoiumahutid
saab seadme peale paigaldada valikulise adapteriga.
Mahutid on saadaval erinevates suurustes ja stiilides,
mis sobivad teie eelistustega.

Kui käepide on keeratud suletud asendisse, asetage
kinnitusosaluse konks seadme käepideme kohale nii, et
selle kinnitusspind jääks ülespoole.

- **Joon.21:** 1. Kinnitusosaluse konks 2. Kinnitusspind
3. Käepide

Paigaldage MAKPAC-adapter kinnitusosaluse konksu
külge ja kinnitage need nelja kaasasoleva kruviga.

- **Joon.22:** 1. MAKPAC-adapter 2. Kinnitusosaluse
konks 3. Kruvi

MAKPAC-mahuti seadmele paigaldamise ettevalmista-
miseks tõstke lükandkang üles ja pingutage nuppu.

- **Joon.23:** 1. Lükandkang 2. Nupp

MÄRKUS: Lisateavet MAKPAC-mahutite paigal-
damise kohta leiate MAKPACi adapteri ja mahutite
kasutusjuhendist.

Vooliku paigaldamine

TÄHELEPANU: Ärge kunagi painutage voolikut
jõuga ega muljuge seda. Ärge kunagi liigutage
tolmuimejat voolikust tõmmates. Vooliku jõuga
painutamine, muljumine ja tõmbamine võivad põhjus-
tada vooliku purunemise või deformeerumise.

TÄHELEPANU: Suurte jäätmete (nt hõvli-
laas-
tud, betoonipuru jms) koristamisel kasutage 38
mm sisediameetriga voolikut (lisatarvik). 28 mm
sisediameetriga vooliku (lisatarvik) kasutamisel võib
voolik ummistuda ja kahjustuda.

Seadmega ühendamine

Sisestage vooliku ots seadme tolmu sissevõtuava külge
(vooliku sisselaskeava) ja seejärel keerake seda päri-
päeva, kuni see oma kohale lukustub.

- **Joon.24:** 1. Voolik 2. Tolmu sissevõtuava (vooliku
sisselaskeava)

Ühendused töövahenditega (Riigikohane)

Ühendades seadme kõigi saadaolevate seadmega
ühilduvate töövahenditega, töötab see elektritööriistade
tolmuimejana.

Valige üks tööriista mudeli jaoks kõige sobivam esi-
mansetidest või liigenditest (lisatarvik). Vajaduse korral
seadke mansetid või liides puhastusvooliku esiosa ja
tööriista tolmueemaldamise pistiku vahele.

- **Joon.25:** 1. Esimansetid või liigendid 2. Tolmuimeja
voolik 3. Elektritööriist 4. Tolmuimeja

Puhastustarvikute paigaldamine või eemaldamine

⚠ETTEVAATUST: Pärast lisatarviku paigaldamist veenduge, et see oleks turvaliselt paigaldatud. Kui lisatarvik ei ole korralikult kinnitatud, võib see lahti tulla ja põhjustada vigastusi.

Ilma lukustusfunktsioonita lisatarviku kasutamine

Valikuline tarvik

Sisestage tarvik seadme imiavasse surudes ja käsitsi kinni keerates.

Pärast kasutamist keerake ja tõmmake tarvik imiavast välja.

► Joon.26

Lukustusfunktsiooniga tarvikud

Valikuline tarvik

TÄHELEPANU: Lukustusfunktsiooniga lisatarviku paigaldamisel veenduge, et vabastusnupp oleks ühel joonel lisatarvikul oleva haagiga. Kui need ei ole ühel joonel, siis lisatarvik ei lukustu ja võib tolmuimeja küljest lahti tulla.

Sisestage tarvik seadme imiavasse, vajutades neid klõpsuga kokku.

Tarviku eemaldamiseks tõmmake see ära, samal ajal vabastusnupu vajutades.

► Joon.27: 1. Lukustusfunktsiooniga imiava 2. Vabastusnupp
3. Lukustusfunktsiooniga tarvik

MÄRKUS: Lukustusfunktsiooniga tarvikut saab kasutada ainult lukustusfunktsiooniga imiava kasutades.

► Joon.28: 1. Lukustusfunktsiooniga tarvik
2. Lukustusfunktsiooniga imiava 3. Ilma lukustusfunktsioonita imiava

Lükatava teleskoopтору pikkuse reguleerimine

Valikuline tarvik

Lükatavat teleskoopтору saab seada lühemaks ja pikemaks. See võimaldab puhastada raskesti ligipääsetavaid kohti ja pakub mugavaid positsioneerimisvõimalusi.

Toru pikkuse muutmiseks tõmmake liugurvarrast sisse ja välja, vajutades ja hoides lükkamisnupu.

Vabastage lükkamisnupp, et varras soovitud asendisse lukustada.

► Joon.29: 1. Liugurvarras 2. Lükkamisnupp

HOOLDUS

⚠ETTEVAATUST: Enne kontroll- või hooldustoimingute tegemist kandke alati hoolt selle eest, et seade oleks välja lülitatud ja akukassetid eemaldatud.

TÄHELEPANU: Ärge kunagi kasutage bensiini, vedeldit, alkoholi ega midagi muud sarnast. Selle tulemuseks võib olla luitumine, deformatsioon või pragunemine.

Toote OHUTUSE ja TÖÖKINDLUSE tagamiseks tuleb vajalik remonttööd ning muud hooldus- ja reguleerimistööd lasta teha Makita volitatud teeninduskeskustes või tehase teeninduskeskustes. Alati tuleb kasutada Makita varuosi.

Tarvikute hoidmine

Lisaseadmeid ja tarvikuid, mida ei kasutata, näiteks otsikuid ja harju, saab haakida ja hoida puhastusvahendi tagaosas asuva mitmikkonksu küljes.

► Joon.30: 1. Mitmikkonks 2. Lisaseadmed ja tarvikud, mida ei kasutata

Torud (paigaldatud valikulise sulguriga) võib asetada toruhoidikusse, kui te tolmuimejat lühikest aega ei kasuta.

► Joon.31: 1. Sulgur (valikuline lisatarvik) 2. Toruhoidik

Vooliku saab kokku kerida ja hoida seadme korpuse või käepideme ümber suurte silmustena. Ühendage selle mõlemad otsad silmuste moodustamiseks ja haakige silmused ülestõstetud käepideme külge. Samuti saate hoida selle seadme poolse otsa vooliku sisselaskevasse paigaldatuna ja riputada silmused mitmikkonksu külge nii, et lahtised otsad oleks kinni seotud.

► Joon.32

► Joon.33

Riidest filtri puhastamine

Puhastage riidest filtrit korrapäraselt, kuna ummistunud riidest filter võib põhjustada halvasti imemist.

Mõnikord pühkige ja raputage tolm riidest filtrit käsitsi.

► Joon.34: 1. Riidest filter

Peentolmu- (HEPA) ja eelfiltri puhastamine

Valikuline tarvik

Puhastage peentolmufiltrit, eelfiltrit ja summutit korrapärase ajavahemike järel, kuna ummistunud filtrid ja summuti võivad põhjustada kehvaima imemisvõime.

Pühkige ja raputage tolm filtritelt ja summutilt regulaarselt käsitsi. Peske peentolmufiltrit aeg-ajalt veega, loputage seda korralikult ja laske siis filtril enne kasutamist varjulises kohas korralikult kuivada. Filtreid ei tohi pesta pesumasinas.

► Joon.35

MÄRKUS: Peentolmufiltrit, eelfiltrit ega summutit ei tohi hõõruda ega kraapida kõvade esemetega, nagu harja ja kaabitsaga.

MÄRKUS: Aja jooksul filter kulub. Soovitatav on nende jaoks hoida käepärast mõningaid varuosi.

VALIKULISED TARVIKUD

⚠ETTEVAATUST: Neid tarvikuid ja lisaseadiseid on soovitatav kasutada koos Makita tööriistaga, mille kasutamist selles kasutusjuhendis kirjeldatakse. Muude tarvikute ja lisaseadiste kasutamisega kaasneb vigastada saamise oht. Kasutage tarvikuid ja lisaseadiseid ainult otstarbekohaselt.

Saate vajaduse korral kohalikust Makita teeninduskeskusest lisateavet nende tarvikute kohta.

- Voolik
- Esimansetid (22, 24, 38)
- Sirge toru
- Pikendustoru
- Nurgaotsak
- Ümmargune hari
- Peentolmufilter, HEPA (kuiva tolmu jaoks)
- Summuti
- Eelfilter
- Veefilter
- Riidest filter
- Otsakumoodul
- Painutatud toru
- Polüetüleenkott
- Pabertolmukott
- MAKPAC-adapter
- Makita algupärane aku ja laadija

MÄRKUS: Mõned nimekirjas loetletud tarvikud võivad kuuluda standardvarustusse ning need on lisatud tööriista pakendisse. Need võivad riigiti erineda.



ОСТОРОЖНО

- Это устройство не предназначено для использования лицами (включая детей) с ограниченными физическими, сенсорными или умственными способностями, а также не имеющими надлежащего опыта и знаний.
- Следите за маленькими детьми, чтобы они не использовали пылесос в качестве игрушки.
- Тип аккумулятора указан в главе "ТЕХНИЧЕСКИЕ ХАРАКТЕРИСТИКИ".
- Инструкции по установке и извлечению аккумулятора приведены в разделе "Установка или снятие блока аккумулятора".
- Для утилизации блока аккумулятора извлеките его из инструмента и утилизируйте безопасным способом. Выполняйте требования местного законодательства по утилизации аккумулятора.
- Если инструментом не будут пользоваться в течение длительного периода времени, извлеките аккумулятор из инструмента.
- Не замыкайте контакты блока аккумулятора между собой.
- Сведения о мерах предосторожности при техническом обслуживании изделия пользователем приведены в главе "ТЕХНИЧЕСКОЕ ОБСЛУЖИВАНИЕ".

ТЕХНИЧЕСКИЕ ХАРАКТЕРИСТИКИ

| Модель: | VC001GL | VC003GL |
|--|--|--------------------------|
| Стандартный тип фильтра | Тканевый фильтр (для сухой и влажной пыли) | |
| Максимальный объем воздуха (с BL4040, шлангом ø32 мм и длиной 1,7 м) | 2,7 м³/мин | |
| Вакуум (с BL4040, шлангом ø32 мм и длиной 1,7 м) | 23 кПа | |
| Восстанавливаемая емкость | Пыль | 15 л |
| | Вода | 12 л |
| Размеры (Д × Ш × В) | 366 мм × 334 мм × 425 мм | 366 мм × 334 мм × 475 мм |
| Номинальное напряжение | 36 В – 40 В пост. тока макс. | |
| Масса нетто | 8,1 – 11,2 кг | 8,4 – 11,5 кг |
| Степень защиты | IPX4 | |

- Благодаря нашей постоянно действующей программе исследований и разработок указанные здесь технические характеристики могут быть изменены без предварительного уведомления.
- Технические характеристики и аккумуляторный блок могут отличаться в зависимости от страны.
- В значение массы не входит масса принадлежностей, только масса блоков аккумулятора. Наименьшая и наибольшая совокупная масса инструмента и блоков аккумулятора указана в таблице.
- Для уборки влажной пыли необходимы поплавки и водяной или тканевый фильтр.

Подходящий блок аккумулятора и зарядное устройство

| | |
|---------------------|---|
| Блок аккумулятора | BL4020 / BL4025 / BL4040* / BL4050F* / BL4080F* *: рекомендуемый аккумулятор |
| Зарядное устройство | DC40RA / DC40RB / DC40RC |

- В зависимости от региона проживания некоторые блоки аккумуляторов и зарядные устройства, перечисленные выше, могут быть недоступны.

⚠ ОСТОРОЖНО: Используйте только перечисленные выше блоки аккумуляторов и зарядные устройства. Использование других блоков аккумуляторов и зарядных устройств может привести к травме и/или пожару.

Символы

Ниже приведены символы, которые могут использоваться для обозначения оборудования. Перед использованием убедитесь в том, что вы понимаете их значение.



Прочитайте руководство по эксплуатации.



Обратите особое внимание.



Осторожно! Пылесос может содержать опасную пыль.



Запрещено вставать на пылесос.



Класс пыли L (легкая). Пылесосы предназначены для сбора пыли класса L. Соблюдайте требования местного законодательства в отношении запыленности, охраны труда и техники безопасности на рабочем месте.



Только для стран ЕС
В связи с наличием в оборудовании опасных компонентов отходы электрического и электронного оборудования, аккумуляторы и батареи могут оказывать негативное влияние на окружающую среду и здоровье человека.
Не выбрасывайте электрические и электронные устройства или батареи вместе с бытовыми отходами!
В соответствии с директивой ЕС по отходам электрического и электронного оборудования, по аккумуляторам, батареям и отходам аккумуляторов и батарей, а также в соответствии с ее адаптацией к национальному законодательству, отходы электрического оборудования, батареи и аккумуляторы следует хранить отдельно и доставлять на пункт раздельного сбора коммунальных отходов, работающий с соблюдением правил охраны окружающей среды.
Это обозначено символом в виде перечеркнутого мусорного контейнера на колесах, нанесенным на оборудование.

Назначение

Данное устройство предназначено для влажной и сухой уборки. Устройство подходит для коммерческого использования, например в гостиницах, школах, больницах, магазинах, офисах, арендных помещениях и на заводах.

Шум

Типичный уровень взвешенного звукового давления (A), измеренный в соответствии с EN60335-2-69:

Модель VC001GL

Уровень звукового давления (L_{pA}): 70 дБ (или менее)
Погрешность (K): 2,5 дБ (A)

Модель VC003GL

Уровень звукового давления (L_{pA}): 70 дБ (или менее)
Погрешность (K): 2,5 дБ (A)

Уровень шума при выполнении работ может превышать 80 дБ (A).

ПРИМЕЧАНИЕ: Заявленное значение распространения шума измерено в соответствии со стандартной методикой испытаний и может быть использовано для сравнения инструментов.

ПРИМЕЧАНИЕ: Заявленное значение распространения шума можно также использовать для предварительных оценок воздействия.

▲ОСТОРОЖНО: Используйте средства защиты слуха.

▲ОСТОРОЖНО: Распространение шума во время фактического использования электроинструмента может отличаться от заявленного значения в зависимости от способа применения инструмента и в особенности от типа обрабатываемой детали.

▲ОСТОРОЖНО: Обязательно определите меры безопасности для защиты оператора, основанные на оценке воздействия в реальных условиях использования (с учетом всех этапов рабочего цикла, таких как выключение инструмента, работа без нагрузки и включение).

Вибрация

Суммарное значение вибрации (сумма векторов по трем осям), определенное в соответствии с EN60335-2-69:

Модель VC001GL

Распространение вибрации (a_{hM}): 2,5 м/с² или менее
Погрешность (K): 1,5 м/с²

Модель VC003GL

Распространение вибрации (a_{hM}): 2,5 м/с² или менее
Погрешность (K): 1,5 м/с²

ПРИМЕЧАНИЕ: Заявленное общее значение распространения вибрации измерено в соответствии со стандартной методикой испытаний и может быть использовано для сравнения инструментов.

ПРИМЕЧАНИЕ: Заявленное общее значение распространения вибрации можно также использовать для предварительных оценок воздействия.

▲ОСТОРОЖНО: Распространение вибрации во время фактического использования электроинструмента может отличаться от заявленного значения в зависимости от способа применения инструмента и в особенности от типа обрабатываемой детали.

▲ОСТОРОЖНО: Обязательно определите меры безопасности для защиты оператора, основанные на оценке воздействия в реальных условиях использования (с учетом всех этапов рабочего цикла, таких как выключение инструмента, работа без нагрузки и включение).

Декларация о соответствии ЕС

Только для европейских стран

Декларация о соответствии ЕС включена в руководство по эксплуатации (Приложение А).

МЕРЫ БЕЗОПАСНОСТИ

Правила техники безопасности при эксплуатации аккумулятора пылесоса

▲ОСТОРОЖНО: ВАЖНО! ВНИМАТЕЛЬНО ОЗНАКОМЬТЕСЬ со всеми инструкциями и рекомендациями по технике безопасности **ДО НАЧАЛА РАБОТЫ**. Невыполнение инструкций и рекомендаций может привести к поражению электрическим током, пожару и/или тяжелым травмам.

1. Перед началом эксплуатации убедитесь в том, что пользователь должным образом проинструктирован по работе с этим пылесосом.
2. Перед началом эксплуатации операторы должны ознакомиться с информацией, инструкциями и пройти подготовку по эксплуатации машины и использованию веществ, для работы с которыми предназначена эта машина, включая безопасный способ сбора и удаления собранного материала.
3. В случае вытекания пены/жидкости немедленно выключите инструмент.
4. Регулярно очищайте ограничитель уровня воды и осматривайте его на предмет повреждений.
5. Перед использованием обязательно убедитесь в том, что фильтры установлены правильно. Не используйте пылесос без правильно установленных фильтров. Поврежденный фильтр следует немедленно заменить. Рекомендуется приобрести запасные фильтры, поскольку фильтры относятся к расходным материалам.
6. **НЕ ДОПУСКАЙТЕ СЛУЧАЙНОГО ПУСКА.** Устанавливая аккумулятор (аккумуляторы), обязательно убедитесь, что инструмент выключен.
7. Запрещено использовать пылесос для уборки горючих материалов, петард, зажженных сигарет, углей, горячей металлической стружки, острых предметов, например бритв, иголок, битого стекла и т. п.
8. **ЗАПРЕЩЕНО ЭКСПЛУАТИРОВАТЬ ПЫЛЕСОС РЯДОМ С БЕНЗИНОМ, ГАЗОМ, КРАСКОЙ, КЛЕЯЩИМИ И ДРУГИМИ ВЗРЫВООПАСНЫМИ МАТЕРИАЛАМИ.** При установке переключателя в положения ON (Вкл.) и OFF (Выкл.) возможно возникновение искр. Искры могут также возникнуть во время работы коллектора электродвигателя. Результатом может стать сильный взрыв.
9. Запрещено использовать пылесос для уборки токсичных, канцерогенных, легко воспламеняющихся и других опасных материалов, таких как асбест, мышьяк, барий, бериллий, свинец, пестициды и другие вредные для здоровья вещества.
10. Всегда размещайте пылесос на горизонтальной ровной поверхности для предотвращения его падения или случайного перемещения.
11. Запрещено использовать пылесос вне помещения во время дождя.
12. Для Финляндии: устройство не следует использовать вне помещения при низкой температуре.
13. Не используйте пылесос вблизи источников тепла (печи и пр.).
14. Если выходящий из устройства воздух возвращается в помещение, необходимо обеспечить в помещении достаточный воздухообмен. Необходимо соблюдать государственные нормы.
15. Не блокируйте всасывающие выпускные отверстия, выпускные отверстия или вентиляционные отверстия. Они обеспечивают охлаждение электродвигателя. Следите за тем, чтобы вентиляционные отверстия не засорились. В противном случае электродвигатель может сгореть из-за недостаточного охлаждения.
16. Всегда сохраняйте устойчивое положение и равновесие.
17. Не сгибайте, не тяните за шланг и не наступайте на него.
18. Немедленно выключите пылесос, если во время работы заметите признаки неисправности или падения мощности.
19. **СНИМИТЕ АККУМУЛЯТОР (АККУМУЛЯТОРЫ).** Если пылесос не используется, перед обслуживанием и при смене насадок.
20. Очищайте и обслуживайте пылесос сразу по окончании работы, чтобы поддерживать его в оптимальном техническом состоянии.
21. **СОБЛЮДАЙТЕ ОСТОРОЖНОСТЬ ВО ВРЕМЯ ОБЛЮСТКИ ПЫЛЕСОСА.** Содержите пылесос в чистоте, чтобы обеспечить максимальную эффективность и безопасность эксплуатации. Следуйте инструкциям по смене насадок. Ручки инструмента всегда должны быть сухими и чистыми и не должны быть испачканы маслом или смазкой.
22. **ПРОВЕРЬТЕ ПОВРЕЖДЕННЫЕ КОМПОНЕНТЫ.** Перед дальнейшим использованием пылесоса ограждение или другую поврежденную деталь следует тщательно осмотреть, чтобы убедиться в том, что пылесос будет работать нормально и выполнять функции, для которых он предназначен. Убедитесь в соосности, отсутствии повреждений движущихся деталей, надежности крепления и отсутствии других дефектов, которые могут повлиять на работу электроинструмента. Поврежденное ограждение или какая-либо другая деталь должны быть соответствующим образом отремонтированы или заменены авторизованным сервисным центром, если в руководстве по эксплуатации не указано иное. Неисправные выключатели должны быть заменены в авторизованном сервисном центре. Не используйте пылесос, если выключатель не включает или не выключает его.

23. Примечание относительно самостоятельного обслуживания: устройство необходимо демонтировать, очистить и выполнить его техническое обслуживание, поскольку это практически выполнимо, без риска для обслуживающего персонала и других лиц.
24. Производитель или подготовленный специалист должен не реже одного раза в год проводить техническую проверку машины, в то числе осмотр фильтров на отсутствие повреждений, проверку герметичности машины и надлежащего функционирования механизма управления.
25. При выполнении работ по обслуживанию или ремонту все загрязненные элементы, удовлетворительная очистка которых невозможна, следует утилизировать. Такие элементы следует сложить в непроницаемые мешки в соответствии с действующими положениями об утилизации таких отходов.
26. **ЗАПАСНЫЕ ЧАСТИ.** Во время обслуживания используйте для замены только аналогичные детали.
27. **ХРАНЕНИЕ ПЫЛЕСОСА.** Если пылесос не используется, храните его в помещении.
28. Перед помещением на хранение влажные фильтры и внутреннюю часть контейнера с жидкостью необходимо высушить.
29. Берегите пылесос. Небрежная эксплуатация может привести к поломке даже самого прочного пылесоса.
30. Запрещено использовать для очистки внутренних и внешних поверхностей бензин, растворитель или чистящие химикаты. Это может вызвать появление трещин и обесцвечивание.
31. Не используйте пылесос в замкнутом пространстве при наличии огнеопасных, взрывоопасных или токсичных паров от масляных красок, растворителей, бензина, некоторых средств защиты от моли и т. п., либо при наличии горючей пыли.
32. Не используйте это или другие устройства в состоянии алкогольного или наркотического опьянения.
33. Одним из основных правил техники безопасности является использование защитных очков с боковыми щитками.
34. Во время работы в запыленной зоне используйте респиратор.
35. Это устройство не предназначено для использования лицами (включая детей) с ограниченными физическими, сенсорными или умственными способностями, а также не имеющими надлежащего опыта и знаний.
36. Следите за маленькими детьми, чтобы они не использовали пылесос в качестве игрушки.
37. Запрещено прикасаться к аккумулятору (аккумуляторам) и пылесосу мокрыми руками.
38. Проявляйте особую осторожность при работе на лестницах.
39. Запрещено использовать пылесос в качестве табурета или верстака. Устройство может упасть и нанести травму.

Эксплуатация и обслуживание электроинструмента, работающего на аккумуляторах

1. **Заряжайте аккумулятор только зарядным устройством, указанным изготовителем.** Зарядное устройство, подходящее для одного типа аккумуляторов, может привести к пожару при его использовании с другим аккумуляторным блоком.
2. **Используйте электроинструмент только с указанными аккумуляторными блоками.** Использование других аккумуляторных блоков может привести к травме или пожару.
3. **Когда аккумуляторный блок не используется, храните его отдельно от металлических предметов, таких как скрепки, монеты, ключи, гвозди, шурупы или другие небольшие металлические предметы, которые могут привести к закорачиванию контактов аккумуляторного блока между собой.** Короткое замыкание между контактами аккумуляторного блока может привести к ожогам или пожару.
4. **При неправильном обращении из аккумуляторного блока может потечь жидкость.** Избегайте контакта с ней. В случае контакта с кожей промойте место контакта обильным количеством воды. В случае попадания в глаза обратитесь к врачу. Жидкость из аккумулятора может вызвать раздражение или ожоги.
5. **Не используйте поврежденные или модифицированные инструменты и аккумуляторные блоки.** Поврежденные или модифицированные аккумуляторы могут работать некорректно, что может привести к пожару, взрыву или травмированию.
6. **Не подвергайте аккумуляторный блок или инструмент воздействию огня или высокой температуры.** Воздействие огня или температуры выше 130 °C может привести к взрыву.
7. **Следуйте всем инструкциям по зарядке и не заряжайте аккумуляторный блок или инструмент при температурных условиях, выходящих за пределы диапазона, указанного в инструкции.** Зарядка ненадлежащим образом или при температурных условиях, выходящих за пределы указанного диапазона, может привести к повреждению батареи и повысить риск пожара.

СОХРАНИТЕ ДАННЫЕ ИНСТРУКЦИИ.

▲ОСТОРОЖНО: НЕ ДОПУСКАЙТЕ, чтобы удобство или опыт эксплуатации данного устройства (полученный от многократного использования) доминировали над строгим соблюдением правил техники безопасности при обращении с этим устройством. **НЕПРАВИЛЬНОЕ ИСПОЛЬЗОВАНИЕ** инструмента или несоблюдение правил техники безопасности, указанных в данном руководстве, может привести к тяжелой травме.

Важные правила техники безопасности для работы с аккумуляторным блоком

1. Перед использованием аккумуляторного блока прочитайте все инструкции и предупреждающие надписи на (1) зарядном устройстве, (2) аккумуляторном блоке и (3) инструменте, работающем от аккумуляторного блока.
2. Не разбирайте блок аккумулятора и не меняйте его конструкцию. Это может привести к пожару, перегреву или взрыву.
3. Если время работы аккумуляторного блока значительно сократилось, немедленно прекратите работу. В противном случае, может возникнуть перегрев блока, что приведет к ожогам и даже к взрыву.
4. В случае попадания электролита в глаза промойте их обильным количеством чистой воды и немедленно обратитесь к врачу. Это может привести к потере зрения.
5. Не замыкайте контакты аккумуляторного блока между собой:

- (1) Не прикасайтесь к контактам какими-либо токопроводящими предметами.
- (2) Не храните аккумуляторный блок в контейнере вместе с другими металлическими предметами, такими как гвозди, монеты и т. п.
- (3) Не допускайте попадания на аккумуляторный блок воды или дождя.

Замыкание контактов аккумуляторного блока между собой может привести к возникновению большого тока, перегреву, возможным ожогам и даже поломке блока.

6. Не храните и не используйте инструмент и аккумуляторный блок в местах, где температура может достигать или превышать 50 °C (122 °F).
7. Не бросайте аккумуляторный блок в огонь, даже если он сильно поврежден или полностью вышел из строя. Аккумуляторный блок может взорваться под действием огня.
8. Запрещено вбивать гвозди в блок аккумулятора, резать, ломать, бросать, ронять блок аккумулятора или ударять его твердым предметом. Это может привести к пожару, перегреву или взрыву.
9. Не используйте поврежденный аккумуляторный блок.
10. Входящие в комплект литий-ионные аккумуляторы должны эксплуатироваться в соответствии с требованиями законодательства об опасных товарах. При коммерческой транспортировке, например, третьей стороной или экспедитором, необходимо нанести на упаковку специальные предупреждения и маркировку. В процессе подготовки устройства к отправке обязательно проконсультируйтесь со специалистом по опасным материалам. Также соблюдайте местные требования и нормы. Они могут быть строже. Закройте или закрепите разомкнутые контакты и упакуйте аккумулятор так, чтобы он не перемещался по упаковке.
11. Для утилизации блока аккумулятора извлеките его из инструмента и утилизируйте безопасным способом. Выполняйте требования местного законодательства по утилизации аккумуляторного блока.

12. Используйте аккумуляторы только с продукцией, указанной Makita. Установка аккумуляторов на продукцию, не соответствующую требованиям, может привести к пожару, перегреву, взрыву или утечке электролита.
13. Если инструментом не будут пользоваться в течение длительного периода времени, извлеките аккумулятор из инструмента.
14. Во время и после использования блок аккумулятора может нагреваться, что может стать причиной ожогов или низкотемпературных ожогов. Будьте осторожны при обращении с горячим блоком аккумулятора.
15. Не прикасайтесь к контактам инструмента сразу после использования, поскольку они могут быть достаточно горячими, чтобы вызвать ожоги.
16. Не допускайте налипания на контакты, отверстие и пазы блока аккумулятора опилок, пыли или земли. Это может стать причиной перегрева, возгорания, взрыва или неисправности инструмента или блока аккумулятора, что может привести к ожогам или травмам.
17. Если инструмент не рассчитан на использование вблизи высоковольтных линий электропередач, не используйте блок аккумулятора вблизи высоковольтных линий электропередач. Это может привести к неисправности, поломке инструмента или блока аккумулятора.
18. Храните аккумулятор в недоступном для детей месте.

СОХРАНИТЕ ДАННЫЕ ИНСТРУКЦИИ.

▲ВНИМАНИЕ: Используйте только фирменные аккумуляторные батареи Makita. Использование аккумуляторных батарей, не произведенных Makita, или батарей, которые были подвергнуты модификациям, может привести к взрыву аккумулятора, пожару, травмам и повреждению имущества. Это также автоматически аннулирует гарантию Makita на инструмент и зарядное устройство Makita.

Советы по обеспечению максимального срока службы аккумулятора

1. Заряжайте блок аккумуляторов перед его полной разрядкой. Обязательно прекратите работу с инструментом и зарядите блок аккумуляторов, если вы заметили снижение мощности инструмента.
2. Никогда не подзаряжайте полностью заряженный блок аккумуляторов. Перезарядка сокращает срок службы аккумулятора.
3. Заряжайте блок аккумуляторов при комнатной температуре в 10 - 40 °C (50 - 104 °F). Перед зарядкой горячего блока аккумуляторов дайте ему остыть.
4. Если блок аккумулятора не используется, извлеките его из инструмента или зарядного устройства.
5. Зарядите ионно-литиевый аккумуляторный блок, если вы не будете пользоваться инструментом длительное время (более шести месяцев).

ОПИСАНИЕ ДЕТАЛЕЙ

- **Рис.1:** 1. Верхний блок 2. Поплавок 3. Камера поплавка 4. Тканевый фильтр 5. Бак

ОПИСАНИЕ РАБОТЫ

ВНИМАНИЕ: Перед регулировкой или проверкой функций устройства обязательно убедитесь, что оно выключено и блоки аккумуляторов сняты.

Установка или снятие блока аккумуляторов

ВНИМАНИЕ: Обязательно выключайте устройство перед установкой и извлечением блоков аккумуляторов.

ВНИМАНИЕ: При установке и извлечении блоков аккумуляторов крепко удерживайте пылесос и блоки аккумуляторов. Если не соблюдать это требование, они могут выскользнуть из рук, что приведет к повреждению пылесоса и блоков аккумуляторов или травмам.

ВНИМАНИЕ: Соблюдайте осторожность, чтобы не прищемить пальцы при открытии и закрытии крышки отсека аккумулятора. Несоблюдение этого требования может стать причиной травмы.

В пылесосе предусмотрено два гнезда для аккумуляторов. Используя два одинаковых аккумулятора одновременно, можно увеличить время работы в одном или нескольких разных режимах, не прерывая работу для перезарядки. Пылесос может также работать от одного аккумулятора, поэтому вы можете использовать его с одним или двумя аккумуляторами по своему усмотрению.

- **Рис.2:** 1. Левое гнездо аккумулятора 2. Правое гнездо аккумулятора

С двумя аккумуляторами

Использование непрерывного режима с двумя аккумуляторами позволяет увеличить время работы и повысить эффективность уборки. После того как первый аккумулятор разрядится, пылесос автоматически переключится на второй источник питания и продолжит работать от второго аккумулятора.

ПРИМЕЧАНИЕ: Левое гнездо аккумулятора (если смотреть на пылесос спереди) имеет приоритет над правым гнездом аккумулятора. Правое гнездо аккумулятора будет использовано в качестве источника питания, только если в левом гнезде аккумулятор отсутствует или разряжен.

ПРИМЕЧАНИЕ: После того как пылесос переключится с левого гнезда аккумулятора на правое и начнет использовать в качестве источника питания аккумулятор в правом гнезде, вы сможете извлечь аккумулятор из левого гнезда и перезарядить его, не прерывая работы. Чтобы снова сделать приоритетным левое гнездо аккумулятора после установки в него заряженного аккумулятора, перезапустите пылесос.

С одним аккумулятором

В качестве источника питания устройству достаточно всего одного аккумулятора, установленного в левое или правое гнездо аккумулятора. Пылесос автоматически определяет, какое гнездо аккумулятора доступно, исходя из условий работы.

Установка и снятие

Чтобы установить блоки аккумуляторов, освободите фиксатор и откройте крышку отсека аккумуляторов. Затем установите блоки аккумуляторов.

- **Рис.3:** 1. Зафиксируйте 2. Крышка отсека аккумулятора

Совместите выступы блоков аккумуляторов с пазами в корпусе аккумулятора и задвиньте блоки на место. Вставляйте блоки до упора, чтобы они зафиксировались с небольшим щелчком.

В таком случае зафиксируйте крышку отсека аккумуляторов.

- **Рис.4:** 1. Блок аккумулятора 2. Кнопка

Для снятия блоков аккумуляторов вытащите их из корпуса, удерживая нажатыми кнопки в передней части блоков.

ВНИМАНИЕ: Устанавливайте блок аккумулятора до упора. В противном случае блок может выпасть из устройства и нанести травму вам или другим людям.

ВНИМАНИЕ: Не прилагайте чрезмерных усилий при установке аккумуляторного блока. Если блок не двигается свободно, значит он вставлен неправильно.

ПРИМЕЧАНИЕ: При переключении пылесоса с первого аккумулятора на второй возможен временный перерыв в работе, приводящий к кратковременному прекращению всасывания. Это не является неполадкой; после этой паузы пылесос сразу возобновит работу.

Индикация оставшегося заряда аккумулятора

Нажмите кнопку проверки на аккумуляторном блоке для проверки заряда. Индикаторы загорятся на несколько секунд.

- **Рис.5:** 1. Индикаторы 2. Кнопка проверки

| Индикаторы | | | Уровень заряда |
|------------|-------|--------|--|
| Горит | Выкл. | Мигает | |
| ■ ■ ■ ■ | | | от 75 до 100% |
| ■ ■ ■ □ | | | от 50 до 75% |
| ■ ■ □ □ | | | от 25 до 50% |
| ■ □ □ □ | | | от 0 до 25% |
| ▣ □ □ □ | | | Зарядите аккумуляторную батарею. |
| ■ ■ □ □ | ↑ ↓ | ■ ■ | Возможно, аккумуляторная батарея неисправна. |

ПРИМЕЧАНИЕ: В зависимости от условий эксплуатации и температуры окружающего воздуха индикация может незначительно отличаться от фактического значения.



ПРИМЕЧАНИЕ: Первая (дальняя левая) индикаторная лампа будет мигать во время работы защитной системы аккумулятора.

Индикаторы аккумуляторов на панели управления

Уровень заряда аккумуляторов можно проверить в любой момент на панели управления. Нажмите кнопку проверки, и правый и левый индикаторы покажут уровень заряда соответствующих аккумуляторов.

► **Рис.6:** 1. Индикаторы аккумуляторов 2. Кнопка проверки

► **Рис.7**

| Состояние индикатора аккумуляторной батареи | | | Уровень заряда аккумулятора |
|--|---|--|-----------------------------|
|  Вкл. |  Выкл. |  Мигает | |
|  |  |  | от 50 до 100% |
|  |  |  | от 20 до 50% |
|  |  |  | от 0 до 20% |
|  |  |  | Зарядите аккумулятор |
|  | | | Аккумулятор не вставлен |

ПРИМЕЧАНИЕ: Индикаторы аккумуляторов также включают, когда пылесос начинает работу или переключается с одного аккумулятора на другой.



Система защиты устройства / аккумулятора

Устройство оснащено системой защиты устройства / аккумулятора. Эта система автоматически отключает питание двигателя для продления срока службы устройства и аккумулятора. Устройство автоматически прекратит работу в указанных далее случаях, влияющих на работу самого устройства или аккумулятора.



Защита от перегрузки

Если используемый режим работы устройства/аккумулятора приводит к возникновению слишком большого тока, происходит автоматическая остановка устройства. В этом случае выключите устройство и прекратите работу, из-за которой произошла перегрузка. Затем включите устройство для перезапуска.

Защита от перегрева

| <input type="checkbox"/> Вкл. | <input checked="" type="checkbox"/> Мигает |
|---|---|
|  |  |

При перегреве устройство автоматически останавливается, а индикаторы правого и левого аккумуляторов начинают мигать. В таком случае дайте устройству остыть перед повторным включением.

| <input type="checkbox"/> Вкл. | <input checked="" type="checkbox"/> Мигает |
|---|---|
|  |  |

При перегреве аккумулятора устройство автоматически останавливается, а индикатор перегревшегося аккумулятора начинает мигать. В этом случае дайте аккумулятору остыть, прежде чем включать устройство снова.

Защита от переразрядки

При истощении заряда аккумулятора устройство автоматически останавливается. Если устройство не работает после нажатия выключателя, извлеките аккумуляторы из инструмента и зарядите их.

Защита от других неполадок

Система защиты также обеспечивает защиту от других неполадок, способных повредить устройство, и обеспечивает автоматическую остановку устройства. В случае временной остановки или прекращения работы устройства выполните все перечисленные ниже действия для устранения причины остановки.

1. Выключите и снова включите устройство для его перезапуска.
2. Зарядите аккумулятор(ы) или замените его(их) заряженным(и).
3. Дайте устройству и аккумулятору (аккумуляторам) остыть.

Если после возврата системы защиты в исходное состояние ситуация не изменится, обратитесь в сервисный центр Makita.

Действие выключателя

Включение пылесоса

1. Установите переключатель режима ожидания в положение "I" (ВКЛ.), чтобы перевести пылесос в режим ожидания.
2. Нажмите кнопку питания. Чтобы вновь переключиться в режим ожидания, нажмите кнопку питания еще раз.

Выключение пылесоса

Выполните одно из описанных ниже действий.

- Нажмите кнопку питания, чтобы вновь перевести пылесос в режим ожидания, а затем установите переключатель режима ожидания в положение "O" (ВЫКЛ.).
- Установите переключатель режима ожидания в положение "O" (ВЫКЛ.).

Регулировка мощности всасывания

Мощность всасывания можно регулировать в зависимости от потребностей.

- Чтобы уменьшить силу всасывания, поверните регулятор силы всасывания влево.
- Чтобы увеличить силу всасывания, поверните регулятор силы всасывания вправо.

► **Рис.8:** 1. Выключатель режима ожидания
2. Кнопка питания 3. Регулятор силы всасывания

Автоматическое прекращение работы во время всасывания влажной пыли

⚠ОСТОРОЖНО: Не используйте в течение длительного времени во время работы поплавка. Продолжительное использование пылесоса с работающим поплавком может привести к перегреву и деформации пылесоса.

⚠ОСТОРОЖНО: Не собирайте пылесосом пену или мыльную жидкость. Это может привести к выходу пены из воздушного отверстия до срабатывания поплавка. Дальнейшее использование пылесоса в таком состоянии может привести к поражению электрическим током и поломке устройства.

Функция автоматической остановки всасывания работает только при использовании пылесоса с поплавком и камерой поплавка.

Пылесос оснащен поплавковым механизмом, предотвращающим попадание воды в двигатель при всасывании слишком большого количества воды. Когда бак заполнен и пылесос больше не всасывает воду, выключите пылесос и опорожните бак.

Блокировка и разблокирование роликов

Задние ролики можно заблокировать с помощью ограничителей, чтобы обездвижить пылесос. Опустите ручную рычаг ограничителя, чтобы заблокировать ролик, или поднимите его, чтобы снять блокировку.

► **Рис.9:** 1. Ролик 2. Рычаг ограничителя
3. Положение FREE (Разблокировано)
4. Положение LOCK (Заблокировано)

ПРИМЕЧАНИЕ: При перемещении пылесоса убедитесь, что ролик разблокирован. Перемещение пылесоса с заблокированным роликом может привести к повреждению ролика.

Рукоятка для переноски

⚠ВНИМАНИЕ: Соблюдайте осторожность при подъеме и переноске пылесоса. Несоблюдение этого требования может привести к травме или повреждению устройства.

При переноске пылесоса удерживайте его за рукоятку на верхнем блоке. Если рукоятка не используется, ее можно сложить в верхний блок.

► **Рис.10**

СБОРКА

⚠ВНИМАНИЕ: Перед выполнением каких-либо работ с устройством обязательно убедитесь в том, что оно выключено и блоки аккумуляторов извлечены из устройства.

⚠ВНИМАНИЕ: Всегда надевайте защитную маску при сборке или техническом обслуживании.

Установка пылевого фильтра (HEPA) и фильтра предварительной очистки (для сухой пыли)

Дополнительные принадлежности

⚠ВНИМАНИЕ: Не собирайте воду или другие жидкости, или влажную пыль при использовании пылевого фильтра. Это может привести к повреждению пылевого фильтра.

Для использования пылевого фильтра:

1. Ослабьте винты, которыми крепится камера поплавка, после чего выньте винты, камеру поплавка и поплавков из верхнего блока.

► **Рис.11:** 1. Винт 2. Камера поплавка 3. Поплавков 4. Верхний блок

2. Извлеките тканевый фильтр из бака.

► **Рис.12:** 1. Тканевый фильтр 2. Бак

3. Установите фильтр предварительной очистки в бак, совместив метки установочного положения на баке и фильтре предварительной очистки.

4. Установите демпфер в фильтр предварительной очистки, после чего установите пылевой фильтр поверх демпфера, совместив метки установочного положения на пылевом фильтре и фильтре предварительной очистки.

5. Установите верхний блок над баком и зафиксируйте их с помощью фиксирующих защелок.

► **Рис.13:** 1. Верхний блок 2. Пылевой фильтр (HEPA) 3. Демпфер 4. Фильтр предварительной очистки 5. Бак 6. Установочные метки

ПРИМЕЧАНИЕ: Перед использованием пылевого фильтра убедитесь, что установлены фильтр предварительной очистки и демпфер. Запрещается устанавливать только пылевой фильтр.

Установка водяного фильтра

Дополнительные принадлежности

ПРИМЕЧАНИЕ: Не собирайте воду или влажную пыль без поплавка и тканевого фильтра или водяного фильтра.

ПРИМЕЧАНИЕ: Перед сбором влажной пыли убедитесь, что на пылесос установлены поплавок и камера поплавка.

ПРИМЕЧАНИЕ: При установке водяного фильтра на бак плотно посадите его на отверстие бака, чтобы выступ на водяном фильтре надежно вошел в отверстие бака, и между фильтром и баком не было зазора.

Для сбора только воды или влажной пыли водяной фильтр подходит лучше, чем тканевый фильтр. При установке водного фильтра совместите его с меткой установочного положения на баке.

► **Рис.14:** 1. Водяной фильтр 2. Бак
3. Установочные метки

ПРИМЕЧАНИЕ: При сборе большого количества воды рекомендуется использовать водный фильтр. В случае использования тканевого фильтра всасывающая способность может быть снижена.

Установка бумажного пакета

Дополнительные принадлежности

▲ОСТОРОЖНО: Перед использованием бумажного пакета убедитесь в том, что тканевый фильтр или фильтр предварительной очистки установлены. Отсутствие тканевого фильтра или фильтра предварительной очистки может привести к сильному шуму и нагреву устройства, что может стать причиной возгорания.

ПРИМЕЧАНИЕ: Не собирайте пылесосом воду, другие жидкости или влажную пыль при использовании бумажного пакета. Засасывание этих веществ может привести к повреждению бумажного пакета.

ПРИМЕЧАНИЕ: При использовании тканевого фильтра убедитесь в том, что к верхнему блоку присоединены поплавок и камера поплавка.

ПРИМЕЧАНИЕ: При использовании фильтра предварительной очистки убедитесь в том, что пылевой фильтр и демпфер установлены.

1. Разверните бумажный пакет.
2. Совместите отверстие бумажного пакета с входным отверстием для пыли бака.
3. Установите бумажный пакет в бак, зацепив картонную панель с отверстием за держатель бумажного пакета.

► **Рис.15:** 1. Бумажный пакет 2. Картонная панель с отверстием 3. Держатель бумажного пакета 4. Входное отверстие для пыли

Установка полиэтиленового мешка

Установив в бак полиэтиленовый мешок, вы сможете легко опорожнить бак, не запачкав рук.

Разложите полиэтиленовый мешок в баке и вставьте верхний край мешка с одной стороны между стопорной пластиной и передней стенкой бака.

► **Рис.16:** 1. Стопорная пластина 2. Передняя стенка бака 3. Полиэтиленовый мешок

Разверните верхние края мешка наружу поверх верхних краев бака. Установите тканевый фильтр или фильтр предварительной очистки поверх полиэтиленового мешка, чтобы надежно зафиксировать горловину мешка.

► **Рис.17:** 1. Фильтр предварительной очистки / тканевый фильтр

ПРИМЕЧАНИЕ: Допускается использование полиэтиленовых мешков, имеющих в продаже. Рекомендуется применять мешки из полиэтилена толщиной 0,04 мм или более.

ПРИМЕЧАНИЕ: Большое количество пыли легко порвет мешок, поэтому не заполняйте мешок более чем до половины.

Опорожнение бака с полиэтиленовым мешком

▲ОСТОРОЖНО: Прежде чем опорожнить бак, убедитесь в том, что пылесос выключен и блоки аккумулятора извлечены. Несоблюдение этого требования может стать причиной поражения электрическим током и тяжелых травм.

ПРИМЕЧАНИЕ: Не стучите сильно по камере поплавка и баку. Сильный удар может вызвать деформацию и повреждение деталей.

ПРИМЕЧАНИЕ: Опорожняйте бак не реже одного раза в день, хотя это определяется объемом пыли в баке. В противном случае мощность всасывания снизится, и электромотор может выйти из строя.

ПРИМЕЧАНИЕ: Опорожняя бак, не беритесь за фиксаторы или защелки. Держась за фиксаторы или защелки, можно поломать их.

Откройте фиксирующие защелки и снимите верхний блок с бака.

Стряхните пыль с тканевого фильтра или фильтра предварительной очистки, прежде чем поднять фильтр и вынуть его из бака.

Затем выньте из бака полиэтиленовый мешок, обхватив его горловину рукой.

► **Рис.18:** 1. Полиэтиленовый мешок 2. Бак

ПРИМЕЧАНИЕ: Вынимайте полиэтиленовый мешок из бака осторожно, чтобы не порвать его, зацепившись за выступы бака.

ПРИМЕЧАНИЕ: Опорожните полиэтиленовый пакет, прежде чем он заполнится полностью. Слишком большое количество пыли в баке может привести к разрыву пакета.

Установка универсального держателя

Использование универсального держателя для закрепления шланга, принадлежностей и насадок, когда они не используются, позволяет быстро вынимать нужные элементы по мере необходимости.

► **Рис.19**

Установите универсальный держатель на монтажное основание сзади пылесоса, совместив направляющие универсального держателя с пазами на монтажном основании.

► **Рис.20:** 1. Универсальный держатель
2. Монтажное основание

Установка переходника МАКРАС

Дополнительные принадлежности

С помощью дополнительного переходника на пылесос можно ставить контейнеры для хранения МАКРАС, которые можно соединять между собой и укладывать в штабели. Вы можете приобрести контейнеры различных типов и размеров исходя из своих потребностей.

Наденьте монтажную накладку на рукоятку пылесоса так, чтобы, когда рукоятка сложена и находится в закрытом положении, монтажная поверхность была обращена вверх.

► **Рис.21:** 1. Монтажная накладка 2. Монтажная поверхность 3. Рукоятка

Установите переходник МАКРАС на монтажную накладку и соедините их четырьмя винтами, входящими в комплект поставки.

► **Рис.22:** 1. Переходник МАКРАС 2. Монтажная накладка 3. Винт

Перед установкой контейнеров МАКРАС на пылесос поднимите транспортировочную ручку и затяните круглую ручку.

► **Рис.23:** 1. Транспортировочная ручка 2. Круглая ручка

ПРИМЕЧАНИЕ: Подробные сведения об установке контейнеров МАКРАС содержатся в инструкциях к контейнерам и переходнику МАКРАС.

Установка шланга

ПРИМЕЧАНИЕ: Запрещается сильно сгибать шланг и наступать на него. Запрещается тянуть пылесос за шланг. Наступив на шланг, потянув за него или приложив к нему чрезмерные усилия, можно повредить или деформировать шланг.

ПРИМЕЧАНИЕ: При сборе крупного мусора, например стружки, цементной пыли и т.п., используйте шланг с внутренним диаметром 38 мм (дополнительное оборудование). При использовании шланга с внутренним диаметром 28 мм (дополнительное оборудование) возможно его засорение и повреждение.

Присоединение к пылесосу

Вставьте конец шланга во входное отверстие для пыли (входное отверстие для шланга) пылесоса и поверните его по часовой стрелке до фиксации.

► **Рис.24:** 1. Шланг 2. Входное отверстие для пыли (входное отверстие для шланга)

Соединение с рабочими инструментами (в зависимости от страны)

Присоединив пылесос к совместимым электроинструментам, его можно использовать для удаления пыли при работе с этими инструментами.

Выберите передний патрубок или муфту (дополнительные принадлежности), наиболее подходящие для используемой модели инструмента. Если необходимо, установите патрубок или муфту между передним концом шланга пылесоса и отверстием для удаления пыли инструмента.

► **Рис.25:** 1. Передний патрубок или муфта 2. Шланг пылесоса
3. Электроинструмент 4. Пылесос

Установка или удаление насадок пылесоса

ВНИМАНИЕ: После установки насадки убедитесь в надежности ее крепления. При неправильной установке насадки она может соскочить и нанести травму.

При использовании насадки без фиксации

Дополнительные принадлежности

Вставьте насадку во всасывающее отверстие пылесоса и вкрутите ее вручную.

После использования открутите насадку вручную и вытащите ее из всасывающего отверстия.

► **Рис.26**

Насадки с фиксацией

Дополнительные принадлежности

ПРИМЕЧАНИЕ: При установке насадки с фиксацией убедитесь в том, что кнопка разблокировки совмещена с крючком на насадке. Если их не совместить, насадка не будет зафиксирована и может соскочить с пылесоса.

Вставьте насадку во всасывающее отверстие пылесоса до щелчка.

Чтобы отсоединить насадку, вытащите ее, удерживая нажатой кнопку разблокировки.

► **Рис.27:** 1. Всасывающее отверстие с фиксацией 2. Кнопка разблокировки 3. Насадка с фиксацией

ПРИМЕЧАНИЕ: Насадка с фиксацией может быть установлена только во всасывающее отверстие с фиксацией.

► **Рис.28:** 1. Насадка с фиксацией 2. Всасывающее отверстие с фиксацией 3. Всасывающее отверстие без фиксации

Регулировка длины раздвижной удлиняющей трубы

Дополнительные принадлежности

Раздвижная удлиняющая труба позволяет регулировать длину насадки. Это дает возможность производить уборку в труднодоступных местах и размещать пылесос в более удобном положении.

Чтобы изменить длину удлиняющей трубы, выдвиньте или задвиньте выдвигающую трубу, удерживая нажатой кнопку регулировки длины.

Чтобы зафиксировать выдвигающую трубу в нужном положении, отпустите кнопку регулировки длины.

► **Рис.29:** 1. Выдвигающая труба 2. Кнопка регулировки длины

ОБСЛУЖИВАНИЕ

ВНИМАНИЕ: Перед проведением осмотра или технического обслуживания устройства необходимо выключить его и извлечь блоки аккумуляторов.

ПРИМЕЧАНИЕ: Запрещается использовать бензин, растворители, спирт и другие подобные жидкости. Это может привести к обесцвечиванию, деформации и трещинам.

Для обеспечения БЕЗОПАСНОСТИ и НАДЕЖНОСТИ обслуживания ремонт, любое другое техобслуживание или регулировку необходимо производить в уполномоченных сервис-центрах Makita или сервис-центрах предприятия с использованием только сменных частей производства Makita.

Хранение дополнительного оборудования

Принадлежности и насадки (например, патрубки и щетки), которые в данный момент не используются, можно закрепить в универсальном держателе сзади пылесоса.

► **Рис.30:** 1. Универсальный держатель 2. Принадлежности и насадки, которые не используются

Трубы (с установленным дополнительным ограничителем) можно вставить в держатель трубы, если нужно ненадолго прервать работу пылесоса.

► **Рис.31:** 1. Ограничитель (дополнительная принадлежность) 2. Держатель трубы

Шланг можно обернуть вокруг корпуса или рукоятки пылесоса большими витками. Соедините концы шланга между собой, чтобы получились петли, и наденьте эти петли на поднятую рукоятку. Вы также можете не вынимать шланг из входного отверстия для шланга и уложить витки шланга на универсальный держатель, закрепив свободный конец.

► **Рис.32**

► **Рис.33**

Очистка тканевого фильтра

Регулярно очищайте тканевый фильтр, поскольку его засорение может отрицательно повлиять на силу всасывания.

Время от времени протирайте тканевый фильтр и стряхивайте с него пыль вручную.

► **Рис.34:** 1. Тканевый фильтр

Очистка фильтра предварительной очистки и пылевого фильтра (HEPA)

Дополнительные принадлежности

Регулярно очищайте пылевой фильтр, фильтр предварительной очистки и демпфер, поскольку засорение фильтров и демпфера может отрицательно повлиять на силу всасывания.

Регулярно протирайте фильтры и демпфер и стряхивайте с них пыль вручную.

Периодически промывайте пылевой фильтр водой, прополаскивая и тщательно просушивая перед использованием. Запрещается мыть фильтры в стиральной машине.

► **Рис.35**

ПРИМЕЧАНИЕ: Не трите и не скребите пылевой фильтр, фильтр предварительной очистки или демпфер твердыми предметами, такими как щетка или скребок.

ПРИМЕЧАНИЕ: Со временем фильтры изнашиваются. Рекомендуется приобрести запасные фильтры.

ДОПОЛНИТЕЛЬНЫЕ ПРИНАДЛЕЖНОСТИ

ВНИМАНИЕ: Данные принадлежности или приспособления рекомендуются для использования с инструментом Makita, указанным в настоящем руководстве. Использование других принадлежностей или приспособлений может привести к получению травмы. Используйте принадлежность или приспособление только по указанному назначению.

Если вам необходимо содействие в получении дополнительной информации по этим принадлежностям, свяжитесь с вашим сервис-центром Makita.

- Шланг
- Передние патрубки (22, 24, 38)
- Прямая труба
- Удлиняющая труба
- Угловая насадка
- Круглая щетка
- Пылевой фильтр, HEPA (для сухой пыли)
- Демпфер
- Фильтр предварительной очистки
- Водяной фильтр
- Тканевый фильтр
- Патрубок в сборе
- Изогнутая труба
- Полиэтиленовый мешок
- Бумажный пакет
- Переходник МАКРАС
- Оригинальный аккумулятор и зарядное устройство Makita

ПРИМЕЧАНИЕ: Некоторые элементы списка могут входить в комплект инструмента в качестве стандартных приспособлений. Они могут отличаться в зависимости от страны.







Makita Europe N.V. Jan-Baptist Vinkstraat 2,
3070 Kortenberg, Belgium

Makita Corporation 3-11-8, Sumiyoshi-cho,
Anjo, Aichi 446-8502 Japan

www.makita.com

| |
|---|
| 885912A981 EN, SV, NO, FI, DA, LV, LT, ET, RU 20210615 |
|---|