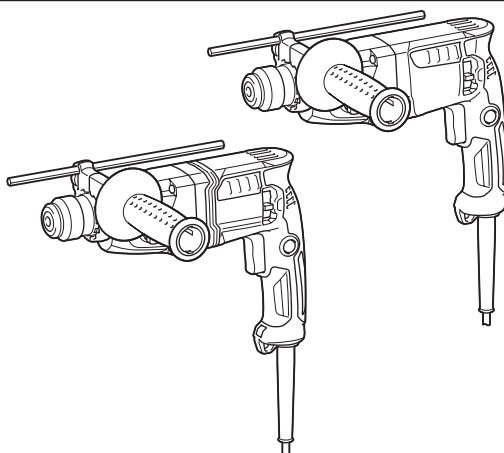




EN	Rotary Hammer	INSTRUCTION MANUAL	6
SV	Borrhammare	BRUKSANVISNING	11
NO	Borhammer	BRUKSANVISNING	16
FI	Poravasara	KÄYTTÖOHJE	21
LV	Perforators	LIETOŠANAS INSTRUKCIJA	26
LT	Rotacinis plaktukas	NAUDOJIMO INSTRUKCIJA	31
ET	Puurvasar	KASUTUSJUHEND	36
RU	Перфоратор	РУКОВОДСТВО ПО ЭКСПЛУАТАЦИИ	41

HR1840
HR1841F



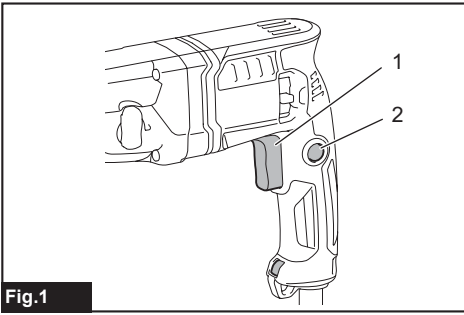


Fig.1

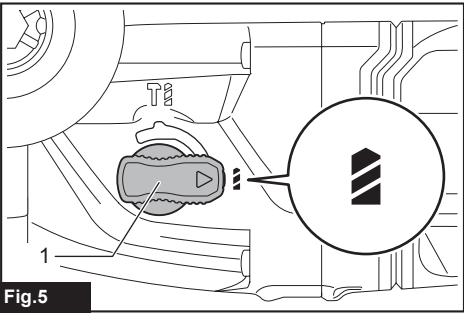


Fig.5

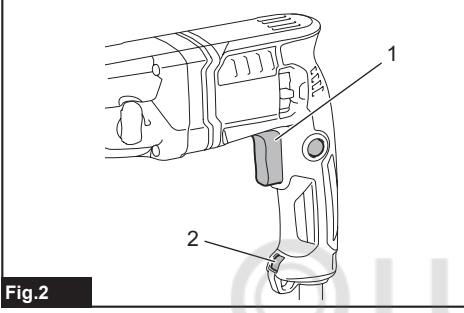


Fig.2

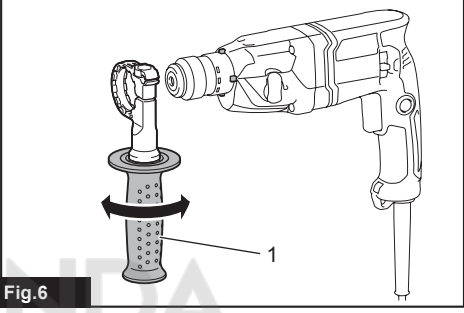


Fig.6

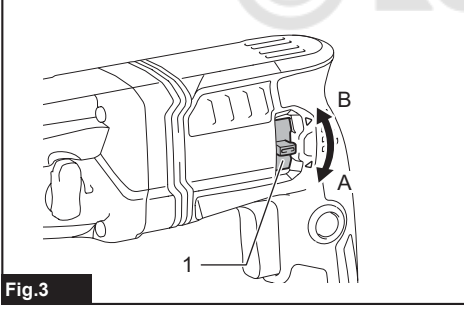


Fig.3

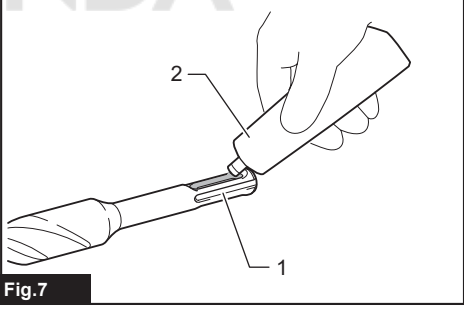


Fig.7

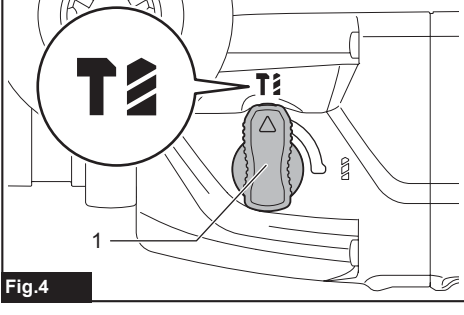


Fig.4

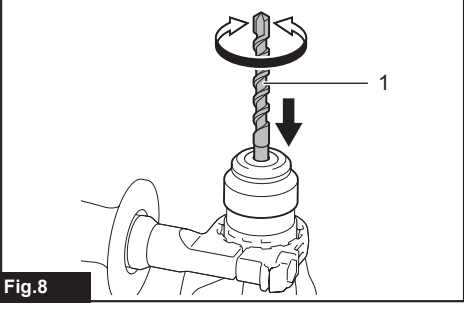


Fig.8

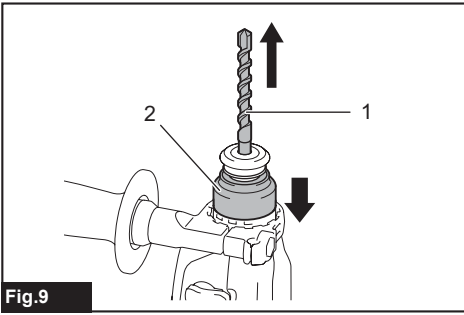


Fig.9

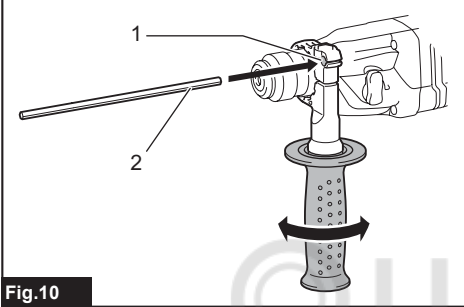


Fig.10

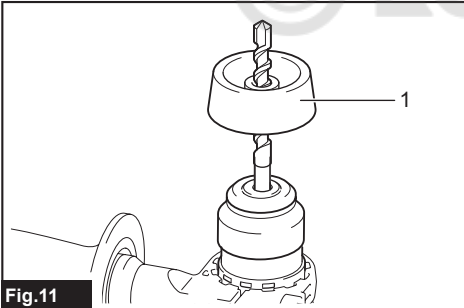


Fig.11

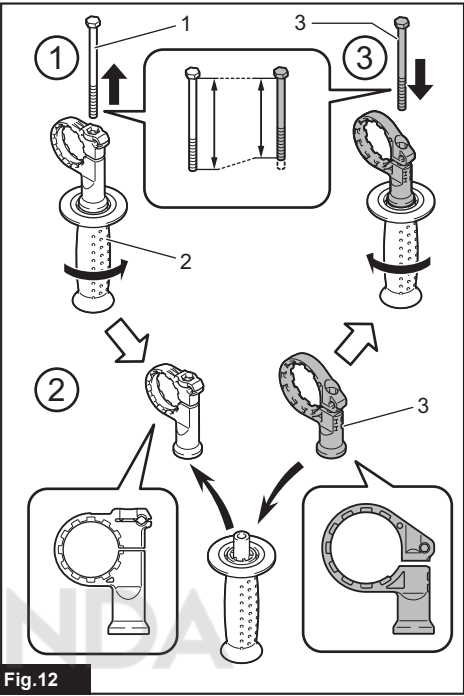


Fig.12

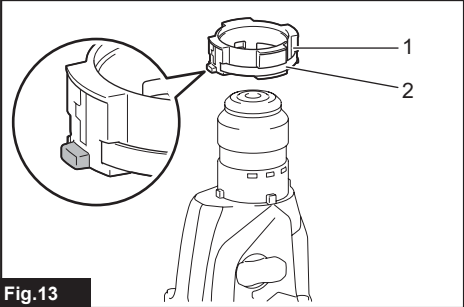


Fig.13

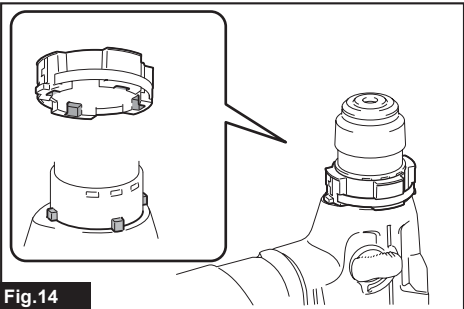
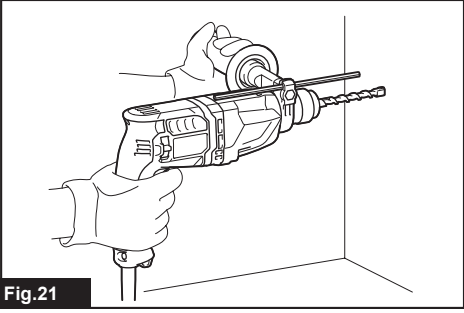
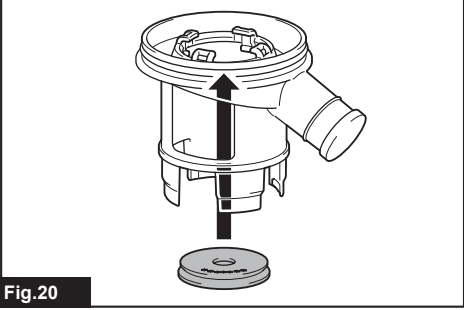
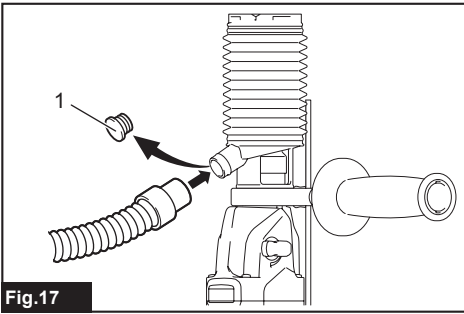
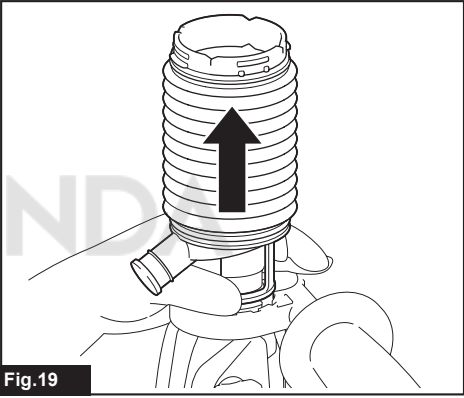
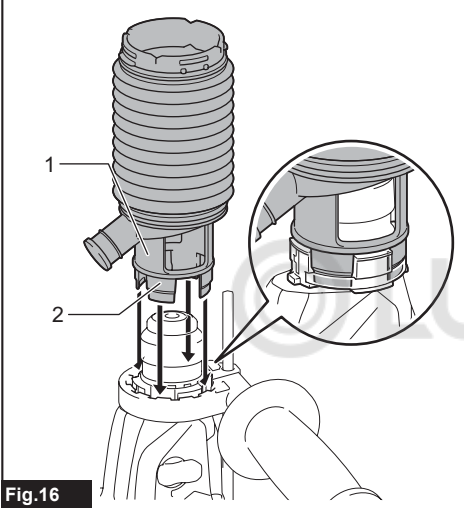
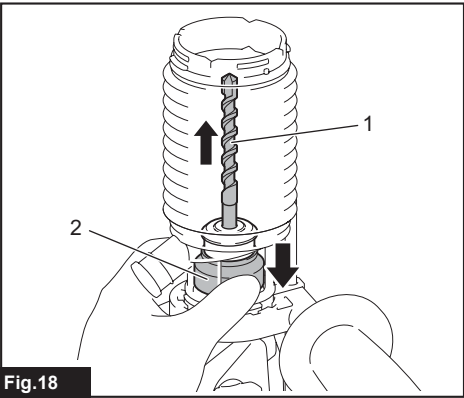
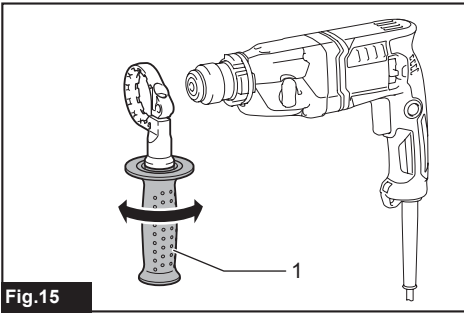


Fig.14



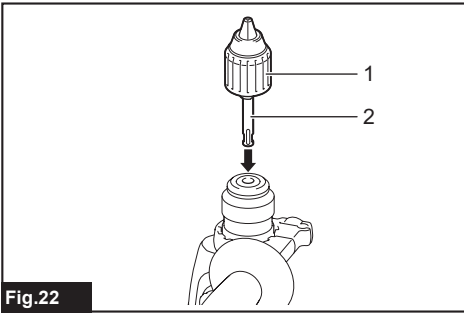


Fig.22

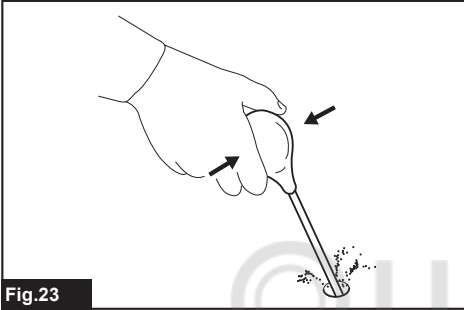


Fig.23

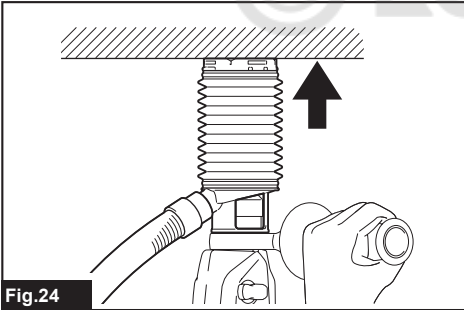


Fig.24

SPECIFICATIONS

Model:		HR1840	HR1841F
Capacities	Concrete	18 mm	
	Core bit	35 mm	
	Diamond core bit (dry type)	65 mm	
	Steel	13 mm	
	Wood	24 mm	
No load speed	0 - 2,100 min ⁻¹		
Blows per minute	0 - 4,800 min ⁻¹		
Overall length	285 mm		
Net weight	2.0 - 2.4 kg	2.0 - 2.5 kg	
Safety class	□/II		

- Due to our continuing program of research and development, the specifications herein are subject to change without notice.
- Specifications may differ from country to country.
- The weight may differ depending on the attachment(s). The lightest and heaviest combination, according to EPTA-Procedure 01/2014, are shown in the table.

Intended use

The tool is intended for hammer drilling and drilling in brick, concrete and stone. It is also suitable for drilling without impact in wood, metal, ceramic and plastic.

Power supply

The tool should be connected only to a power supply of the same voltage as indicated on the nameplate, and can only be operated on single-phase AC supply. They are double-insulated and can, therefore, also be used from sockets without earth wire.

Noise

The typical A-weighted noise level determined according to EN60745:

Model HR1840

Sound pressure level (L_{pA}): 87 dB(A)

Sound power level (L_{WA}): 98 dB (A)

Uncertainty (K): 3 dB(A)

Model HR1841F

Sound pressure level (L_{pA}): 87 dB(A)

Sound power level (L_{WA}): 98 dB (A)

Uncertainty (K): 3 dB(A)

⚠ WARNING: Wear ear protection.

Vibration

The vibration total value (tri-axial vector sum) determined according to EN60745:

Model HR1840

Work mode: hammer drilling into concrete

Vibration emission ($a_{h,HD}$): 10.0 m/s²

Uncertainty (K): 1.5 m/s²

Work mode: drilling into metal

Vibration emission ($a_{h,D}$): 3.0 m/s²

Uncertainty (K): 1.5 m/s²

Model HR1841F

Work mode: hammer drilling into concrete

Vibration emission ($a_{h,HD}$): 7.5 m/s²

Uncertainty (K): 1.5 m/s²

Work mode: drilling into metal

Vibration emission ($a_{h,D}$): 3.0 m/s²

Uncertainty (K): 1.5 m/s²

NOTE: The declared vibration emission value has been measured in accordance with the standard test method and may be used for comparing one tool with another.

NOTE: The declared vibration emission value may also be used in a preliminary assessment of exposure.

⚠ WARNING: The vibration emission during actual use of the power tool can differ from the declared emission value depending on the ways in which the tool is used.

⚠ WARNING: Be sure to identify safety measures to protect the operator that are based on an estimation of exposure in the actual conditions of use (taking account of all parts of the operating cycle such as the times when the tool is switched off and when it is running idle in addition to the trigger time).

EC Declaration of Conformity

For European countries only

The EC declaration of conformity is included as Annex A to this instruction manual.

SAFETY WARNINGS

General power tool safety warnings

⚠ WARNING: Read all safety warnings, instructions, illustrations and specifications provided with this power tool. Failure to follow all instructions listed below may result in electric shock, fire and/or serious injury.

Save all warnings and instructions for future reference.

The term "power tool" in the warnings refers to your mains-operated (corded) power tool or battery-operated (cordless) power tool.

ROTARY HAMMER SAFETY WARNINGS

1. **Wear ear protectors.** Exposure to noise can cause hearing loss.
2. **Use auxiliary handle(s), if supplied with the tool.** Loss of control can cause personal injury.
3. **Hold power tool by insulated gripping surfaces, when performing an operation where the cutting accessory may contact hidden wiring or its own cord.** Cutting accessory contacting a "live" wire may make exposed metal parts of the power tool "live" and could give the operator an electric shock.
4. **Wear a hard hat (safety helmet), safety glasses and/or face shield.** Ordinary eye or sun glasses are **NOT** safety glasses. It is also highly recommended that you wear a dust mask and thickly padded gloves.
5. **Be sure the bit is secured in place before operation.**
6. **Under normal operation, the tool is designed to produce vibration.** The screws can come loose easily, causing a breakdown or accident. Check tightness of screws carefully before operation.
7. **In cold weather or when the tool has not been used for a long time, let the tool warm up for a while by operating it under no load.** This will loosen up the lubrication. Without proper warm-up, hammering operation is difficult.
8. **Always be sure you have a firm footing.** Be sure no one is below when using the tool in high locations.
9. **Hold the tool firmly with both hands.**
10. **Keep hands away from moving parts.**
11. **Do not leave the tool running.** Operate the tool only when hand-held.
12. **Do not point the tool at any one in the area when operating.** The bit could fly out and injure someone seriously.
13. **Do not touch the bit, parts close to the bit, or workpiece immediately after operation;** they may be extremely hot and could burn your skin.
14. **Some material contains chemicals which may be toxic.** Take caution to prevent dust inhalation and skin contact. Follow material supplier safety data.
15. **Do not touch the power plug with wet hands.**

SAVE THESE INSTRUCTIONS.

⚠ WARNING: DO NOT let comfort or familiarity with product (gained from repeated use) replace strict adherence to safety rules for the subject product. MISUSE or failure to follow the safety rules stated in this instruction manual may cause serious personal injury.

FUNCTIONAL DESCRIPTION

⚠ CAUTION: Always be sure that the tool is switched off and unplugged before adjusting or checking function on the tool.

Switch action

⚠ CAUTION: Before plugging in the tool, always check to see that the switch trigger actuates properly and returns to the "OFF" position when released.

⚠ CAUTION: Switch can be locked in "ON" position for ease of operator comfort during extended use. Apply caution when locking tool in "ON" position and maintain firm grasp on tool.

► Fig. 1: 1. Switch trigger 2. Lock button

To start the tool, simply pull the switch trigger. Tool speed is increased by increasing pressure on the switch trigger. Release the switch trigger to stop.

For continuous operation, pull the switch trigger, push in the lock button and then release the switch trigger. To stop the tool from the locked position, pull the switch trigger fully, then release it.

Lighting up the front lamp

For HR1841F

► Fig. 2: 1. Switch trigger 2. Lamp

⚠ CAUTION: Do not look in the light or see the source of light directly.

To turn on the lamp, pull the switch trigger. Release the switch trigger to turn it off.

NOTICE: Do not use thinner or gasoline to clean the lamp. Such solvents may damage it.

NOTE: Use a dry cloth to wipe the dirt off the lens of the lamp. Be careful not to scratch the lens of lamp, or it may lower the illumination.

Reversing switch action

⚠ CAUTION: Always check the direction of rotation before operation.

NOTICE: Use the reversing switch only after the tool comes to a complete stop. Changing the direction of rotation before the tool stops may damage the tool.

NOTICE: When changing the direction of rotation, be sure to fully set the reversing switch to position ◁ (A side) or ▷ (B side). Otherwise, when the switch trigger is pulled, the motor may not rotate or the tool may not work properly.

► Fig.3: 1. Reversing switch lever


This tool has a reversing switch to change the direction of rotation. Move the reversing switch lever to the position ◁ (A side) for clockwise rotation or to the position ▷ (B side) for counterclockwise rotation.

Selecting the action mode

NOTICE: Do not rotate the action mode changing knob when the tool is running. The tool will be damaged.

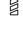
NOTICE: To avoid rapid wear on the mode change mechanism, be sure that the action mode changing knob is always positively located in one of the action mode positions.

Rotation with hammering

For drilling in concrete, masonry, etc., rotate the action mode changing knob to the  symbol. Use a carbide-tipped drill bit.

► Fig.4: 1. Action mode changing knob

Rotation only

For drilling in wood, metal or plastic materials, rotate the action mode changing knob to the  symbol. Use a twist drill bit or wood drill bit.

► Fig.5: 1. Action mode changing knob

Torque limiter

NOTICE: As soon as the torque limiter actuates, switch off the tool immediately. This will help prevent premature wear of the tool.

NOTICE: Drill bits such as hole saw, which tend to pinch or catch easily in the hole, are not appropriate for this tool. This is because they will cause the torque limiter to actuate too frequently.

The torque limiter will actuate when a certain torque level is reached. The motor will disengage from the output shaft. When this happens, the drill bit will stop turning.

ASSEMBLY

CAUTION: Always be sure that the tool is switched off and unplugged before carrying out any work on the tool.

Side grip (auxiliary handle)

CAUTION: Always use the side grip to ensure safe operation.

CAUTION: After installing or adjusting the side grip, make sure that the side grip is firmly secured.

Install the side grip so that the grooves on the grip fit in the protrusions on the tool barrel. Turn the grip clockwise to secure it. The grip can be fixed at desired angle.

► Fig.6: 1. Side grip

Grease

Coat the shank end of the drill bit beforehand with a small amount of grease (about 0.5 - 1 g). This chuck lubrication assures smooth action and longer service life.

Installing or removing drill bit

Clean the shank end of the drill bit and apply grease before installing the drill bit.

► Fig.7: 1. Shank end 2. Grease

Insert the drill bit into the tool. Turn the drill bit and push it in until it engages.

After installing the drill bit, always make sure that the drill bit is securely held in place by trying to pull it out.

► Fig.8: 1. Drill bit

To remove the drill bit, pull the chuck cover down all the way and pull the drill bit out.

► Fig.9: 1. Drill bit 2. Chuck cover

Depth gauge

The depth gauge is convenient for drilling holes of uniform depth. Loosen the side grip and insert the depth gauge into the hole on the side grip. Adjust the depth gauge to the desired depth and tighten the side grip firmly.

► Fig.10: 1. Hole 2. Depth gauge

NOTE: Make sure that the depth gauge does not touch the main body of the tool when attaching it.

Dust cup (optional accessory)

Use the dust cup to prevent dust from falling over the tool and on yourself when performing overhead drilling operations. Attach the dust cup to the bit as shown in the figure. The size of bits which the dust cup can be attached to is as follows.

Model	Bit diameter
Dust cup 5	6 mm - 14.5 mm
Dust cup 9	12 mm - 16 mm

► Fig.11: 1. Dust cup

Dust cup set (optional accessory)

NOTICE: If you purchase the dust cup set as optional accessory, the standard side grip cannot be used with the dust cup set being installed on the tool. When the dust cup set is installed on the tool, remove the grip from the standard side grip, and then attach it to the optional grip base set.

► Fig.12: 1. Bolt 2. Grip 3. Optional grip base set

NOTICE: Do not use the dust cup set when drilling in metal or similar. It may damage the dust cup set due to the heat produced by small metal dust or similar. Do not install or remove the dust cup set with the drill bit installed in the tool. It may damage the dust cup set and cause dust leak.

Before installing the dust cup set, remove the bit from the tool if installed.

Install the spacer so that the grooves on the spacer fit in the protrusions on the tool barrel while widening it. Be careful for the spring not to come off from the slit of spacer.

► Fig.13: 1. Spacer 2. Spring

► Fig.14

Install the side grip (optional grip base set and the grip removed from standard side grip) so that the groove on the grip fit in the protrusion on the spacer. Turn the grip clockwise to secure it.

► Fig.15: 1. Side grip

Install the dust cup set so that the claws of the dust cup fit in the slits on the spacer.

► Fig.16: 1. Dust cup 2. Claw

NOTE: If you connect a vacuum cleaner to the dust cup set, remove the dust cap before connecting it.

► Fig.17: 1. Dust cap

To remove the drill bit, pull the chuck cover down all the way and pull the drill bit out.

► Fig.18: 1. Bit 2. Chuck cover

To remove the dust cup set, hold the root of dust cup and pull it out.

► Fig.19

NOTE: If the cap comes off from the dust cup, attach it with its printed side facing up so that groove on the cap fits in the inside periphery of the attachment.

► Fig.20

OPERATION


CAUTION: Always use the side grip (auxiliary handle) and firmly hold the tool by both side grip and switch handle during operations.

CAUTION: Always make sure that the work-piece is secured before operation.

► Fig.21

Hammer drilling operation

CAUTION: There is tremendous and sudden twisting force exerted on the tool/drill bit at the time of hole break-through, when the hole becomes clogged with chips and particles, or when striking reinforcing rods embedded in the concrete. **Always use the side grip (auxiliary handle) and firmly hold the tool by both side grip and switch handle during operations.** Failure to do so may result in the loss of control of the tool and potentially severe injury.

Set the action mode changing knob to the  symbol. Position the drill bit at the desired location for the hole, then pull the switch trigger. Do not force the tool. Light pressure gives best results. Keep the tool in position and prevent it from slipping away from the hole.

Do not apply more pressure when the hole becomes clogged with chips or particles. Instead, run the tool at an idle, then remove the drill bit partially from the hole. By repeating this several times, the hole will be cleaned out and normal drilling may be resumed.

NOTE: Eccentricity in the drill bit rotation may occur while operating the tool with no load. The tool automatically centers itself during operation. This does not affect the drilling precision.

Drilling in wood or metal

CAUTION: Hold the tool firmly and exert care when the drill bit begins to break through the workpiece. There is a tremendous force exerted on the tool/drill bit at the time of hole break through.


CAUTION: A stuck drill bit can be removed simply by setting the reversing switch to reverse rotation in order to back out. However, the tool may back out abruptly if you do not hold it firmly.

CAUTION: Always secure workpieces in a vise or similar hold-down device.

NOTICE: Never use "rotation with hammering" when the drill chuck is installed on the tool. The drill chuck may be damaged.

Also, the drill chuck will come off when reversing the tool.

NOTICE: Pressing excessively on the tool will not speed up the drilling. In fact, this excessive pressure will only serve to damage the tip of your drill bit, decrease the tool performance and shorten the service life of the tool.

Set the action mode changing knob to the  symbol. Attach the chuck adapter to a keyless drill chuck to which 1/2"-20 size screw can be installed, and then install them to the tool. When installing it, refer to the section "Installing or removing drill bit".

► Fig.22: 1. Keyless drill chuck 2. Chuck adapter

Blow-out bulb

Optional accessory

After drilling the hole, use the blow-out bulb to clean the dust out of the hole.

► Fig.23

Using dust cup set

Optional accessory

Fit the dust cup set against the ceiling when operating the tool.

► Fig.24

NOTICE: Do not use the dust cup set when drilling in metal or similar. It may damage the dust cup set due to the heat produced by small metal dust or similar.

NOTICE: Do not install or remove the dust cup set with the drill bit installed in the tool. It may damage the dust cup set and cause dust leak.

MAINTENANCE

CAUTION: Always be sure that the tool is switched off and the battery cartridge is removed before attempting to perform inspection or maintenance.

NOTICE: Never use gasoline, benzine, thinner, alcohol or the like. Discoloration, deformation or cracks may result.

To maintain product SAFETY and RELIABILITY, repairs, any other maintenance or adjustment should be performed by Makita Authorized or Factory Service Centers, always using Makita replacement parts.

OPTIONAL ACCESSORIES

CAUTION: These accessories or attachments are recommended for use with your Makita tool specified in this manual. The use of any other accessories or attachments might present a risk of injury to persons. Only use accessory or attachment for its stated purpose.

If you need any assistance for more details regarding these accessories, ask your local Makita Service Center.

- Carbide-tipped drill bits (SDS-Plus carbide-tipped bits)
- Core bit
- Diamond core bit
- Chuck adapter
- Keyless drill chuck
- Bit grease
- Depth gauge
- Blow-out bulb
- Dust cup
- Dust cup set
- Grip base set
- Safety goggles
- Plastic carrying case

NOTE: Some items in the list may be included in the tool package as standard accessories. They may differ from country to country.

SPECIFIKATIONER

Modell:		HR1840	HR1841F
Kapaciteter	Cement	18 mm	
	Borrkrona	35 mm	
	Borr med diamantkrona (torr modell)	65 mm	
	Stål	13 mm	
	Trä	24 mm	
Hastighet utan belastning		0 - 2 100 min ⁻¹	
Slag per minut		0 - 4 800 min ⁻¹	
Total längd		285 mm	
Nettovikt		2,0 - 2,4 kg	2,0 - 2,5 kg
Säkerhetsklass		□/II	

- På grund av vårt pågående program för forskning och utveckling kan dessa specifikationer ändras utan föregående meddelande.
- Specifikationer kan variera mellan olika länder.
- Vikten kan variera beroende på tillbehören. Den lättaste och den tyngsta kombinationen enligt EPTA-procedur 01/2014 visas i tabellen.

Avsedd användning

Maskinen är avsedd för slagborrning och borring i tegel, betong och sten. Den är även lämpad för borring utan slag i trä, metall, keramik och plast.

Strömförsörjning

Maskinen får endast anslutas till elnät med samma spänning som anges på typplåten och med enfasig växelström. De är dubbelisolerade och får därför också anslutas i ojordade vägguttag.

Buller

Den normala bullernivån för A-belastning är bestämd enligt EN60745:

Model HR1840

Ljudtrycksnivå (L_{pA}): 87 dB (A)
Ljudeffektnivå (L_{WA}): 98 dB (A)
Måttolerans (K): 3 dB (A)

Model HR1841F

Ljudtrycksnivå (L_{pA}): 87 dB (A)
Ljudeffektnivå (L_{WA}): 98 dB (A)
Måttolerans (K): 3 dB (A)

⚠ VARNING: Använd hörselskydd.

Vibration

Det totala vibrationsvärdet (treaxlad vektorsumma) bestämt enligt EN60745:

Model HR1840

Arbetsläge: slagborrning i betong
Vibrationsemission ($a_{h,HD}$): 10,0 m/s²
Måttolerans (K): 1,5 m/s²

Arbetsläge: borring i metall
Vibrationsemission ($a_{h,D}$): 3,0 m/s²
Måttolerans (K): 1,5 m/s²

Model HR1841F

Arbetsläge: slagborrning i betong
Vibrationsemission ($a_{h,HD}$): 7,5 m/s²
Måttolerans (K): 1,5 m/s²
Arbetsläge: borring i metall
Vibrationsemission ($a_{h,D}$): 3,0 m/s²
Måttolerans (K): 1,5 m/s²

OBS: Det deklarerade vibrationsemissionsvärdet har uppmätts i enlighet med standardtestmetoden och kan användas för att jämföra en maskin med en annan.

OBS: Det deklarerade vibrationsemissionsvärdet kan också användas i en preliminär bedömning av exponering för vibration.

⚠ VARNING: Vibrationsemissionen under faktisk användning av maskinen kan skilja sig från det deklarerade emissionsvärdet, beroende på hur maskinen används.

⚠ VARNING: Var noga med att identifiera säkerhetsåtgärder för att skydda användaren, vilka är grundade på en uppskattning av graden av exponering för vibrationer under de faktiska användningsförhållandena, (ta, förutom avtryckartiden, med alla delar av användarcykeln i beräkningen, som till exempel tiden då maskinen är avstängd och när den går på tomgång).

EG-försäkringen om överensstämmelse

Gäller endast inom EU

EG-försäkringen om överensstämmelse inkluderas som bilaga A till denna bruksanvisning.

SÄKERHETSVARNINGAR

Allmänna säkerhetsvarningar för maskiner

⚠️ VARNING: Läs alla säkerhetsvarningar, anvisningar, illustrationer och specifikationer som medföljer det här maskinen. Underlåtenhet att följa instruktionerna kan leda till elstöt, brand och/eller allvarliga personskador.

Spara alla varningar och instruktioner för framtida referens.

Termen "maskin" som anges i varningarna hänvisar till din eldrivna maskin (sladdansluten) eller batteridrivna maskin (sladdlös).

SÄKERHETSVARNINGAR FÖR BORRHAMMARE

1. Använd hörselskydd. Kraftigt buller kan orsaka hörselskador.
2. Använd extrahandtag om det levereras med maskinen. Om du förlorar kontrollen över maskinen kan det leda till personskador.
3. Håll maskinen i de isolerade handtagen om det finns risk för att skärverktyget kan komma i kontakt med en dold elkabel eller sin egen kabel. Om sticksågmaskinen kommer i kontakt med en strömförande ledning blir verktygets blottlagda metalldelar strömförande och kan ge användaren en elektrisk stöt.
4. Använd en hård hjälm (skyddshjälm), skyddsglasögon och/eller ansiktsskydd. Vanliga glasögon och solglasögon är INTE skydds-glasögon. Du bör också bära ett dammskydd och tjockt fodrade handskar.
5. Se till att borret sitter säkert innan maskinen används.
6. Under normal användning vibrerar maskinen. Skruvarna kan lätt lossna, vilket kan orsaka maskinhaveri eller en olycka. Kontrollera att skruvarna är åtdragna innan maskinen används.
7. I kall väderlek, eller när verktyget inte använts under en längre tid, bör du värma upp verktyget genom att använda det utan belastning. Detta gör smörjningen mer viskös. Utan uppvärmning blir det svårt att använda hammaren.
8. Se till att alltid ha ordentligt fotfäste. Se till att ingen står under dig när maskinen används på hög höjd.
9. Håll maskinen stadigt med båda händerna.
10. Håll händerna borta från rörliga delar.
11. Lämna inte maskinen igång. Använd endast maskinen när du håller den i händerna.
12. Rikta inte maskinen mot någon när den används. Borret kan flyga ut och skada någon allvarligt.
13. Rör inte vid borret, närliggande delar eller arbetsstycket efter användning, då de kan vara extremt varma och orsaka brännskador.
14. Vissa material kan innehålla giftiga kemikalier. Se till att du inte andas in damm eller får det på huden. Följ anvisningarna i leverantörens materialsäkerhetsblad.
15. Rör inte vid elkontakten med våta händer.

SPARA DESSA ANVISNINGAR.

⚠️ VARNING: GLÖM INTE att också fortsättningsvis strikt följa säkerhetsanvisningarna för maskinen även efter att du blivit van att använda den. Vid FELAKTIG HANTERING av maskinen eller om inte säkerhetsanvisningarna i denna bruksanvisning följs kan följden bli allvarliga personskador.

FUNKTIONSBESKRIVNING

⚠️ FÖRSIKTIGT: Se alltid till att maskinen är avstängd och nätsladden utdragen innan du justerar eller funktionskontrollerar maskinen.

Avtryckarens funktion

⚠️ FÖRSIKTIGT: Innan du ansluter maskinen till elnätet ska du kontrollera att avtryckaren fungerar och återgår till läget "OFF" när du släpper den.

⚠️ FÖRSIKTIGT: Knappen kan låsas i läget "ON" för att underlätta användning när maskinen används under en längre tid. Var försiktig när du låser maskinen i läget "ON", och fortsatt hålla ett stadigt grepp om maskinen.

► Fig.1: 1. Avtryckare 2. Säkerhetsknapp

Tryck in avtryckaren för att starta verktyget. Hastigheten ökas genom att trycka hårdare på avtryckaren. Släpp avtryckaren för att stoppa maskinen.

För kontinuerlig användning håller du avtryckaren intryckt, skjuter in låsknappen och släpper därefter avtryckaren. Tryck in avtryckaren helt och släpp den sedan för att stoppa maskinen när den är i låst läge.

Tända frontlampan

För HR1841F

► Fig.2: 1. Avtryckare 2. Lampa

⚠️ FÖRSIKTIGT: Titta inte in i ljuset eller direkt i ljuskällan.

För att tända lampan trycker du in avtryckaren. Släpp avtryckaren för att släcka den.

OBSERVERA: Använd inte thinner eller bensin för att rengöra lampan. Sådana lösningsmedel kan skada den.

OBS: Använd en torr trasa för att torka bort smuts från lampglaset. Var försiktig så att inte lampglaset repas eftersom ljuset då kan bli svagare.

Reverseringsspakens funktion

⚠️ FÖRSIKTIGT: Kontrollera alltid rotationsriktningen före användning.

OBSERVERA: Använd endast reverseringsknappen när maskinen har stoppat helt. Maskinen kan skadas om du byter rotationsriktning medan den fortfarande roterar.

OBSERVERA: När rotationsriktningen ändras, se till att ställa reverseringsspaken helt i läge ◁ (A-sidan) eller ▷ (B-sidan). Annars, när avtryckaren aktiveras, kanske motorn inte roterar eller maskinen fungerar korrekt.

► Fig.3: 1. Reverseringsknapp


Denna maskin har en reverseringsknapp för byte av rotationsriktning. Flytta reverseringsknappen till läget ◁ (A-sidan) för medurs rotation eller till läget ▷ (B-sidan) för moturs rotation.

Välja arbetsläge

OBSERVERA: Använd inte arbetslägesreglaget när verktyget används. Verktyget kan skadas.


OBSERVERA: För att undvika snabbt slitage på mekanismen för ändring av läge ska du se till att reglaget för byte av arbetsläge alltid är i position för ett av arbetslägena.

Slagborrning

Vrid reglaget för byte av arbetsläge till symbolen  för borrrning i betong, murbruk mm. Använd ett borr med karbidspets.

► Fig.4: 1. Spak för byte av arbetsläge

Endast borrrning

Vid borrrning i trä, metall eller plastmaterial, vrid reglaget för byte av arbetsläge till symbolen . Använd borr för metall eller trä.

► Fig.5: 1. Spak för byte av arbetsläge

Momentbegränsare

OBSERVERA: Stäng omedelbart av maskinen så snart momentbegränsaren aktiveras. Detta förhindrar onödigt slitage på maskinen.

OBSERVERA: Borr som hålsåg, vilken har en tendens att klämmas eller fastna lätt i hålet, är inte lämplig för denna maskin. Detta för att de gör så att momentbegränsaren aktiveras för ofta.

Momentbegränsaren aktiveras när ett visst vridmoment uppnås. Motorn kopplas bort från borrarstämningen. När detta inträffar slutar borrarstämningen att rotera.

MONTERING

⚠ FÖRSIKTIGT: Se alltid till att maskinen är avstängd och nätsladden urdragen innan maskinen repareras.

Sidohandtag (extrahandtag)

⚠ FÖRSIKTIGT: Använd alltid sidohandtaget för att garantera säker drift.

⚠ FÖRSIKTIGT: Efter installation eller justering av sidohandtaget måste du se till att sidohandtaget sitter ordentligt fast.

Sätt i sidohandtaget så att spåren i handtaget passar in i spåren på den cylindriska delen. Vrid handtaget medurs för att låsa fast det. Handtaget kan fästas i önskad vinkel.

► Fig.6: 1. Sidohandtag

Fett

Täck på förhand borrhäftet med en liten mängd fett (ca 0,5 - 1 g). Smörjning av chucken ger smidig funktion och längre livslängd.

Sätta i och ta ur borrarbiter

Rengör borrhäftet och applicera fett innan det monteras.

► Fig.7: 1. Skaftände 2. Fett

Sätt in borrarstämningen i maskinen. Vrid borrarstämningen och tryck in tills den låser fast.

Se efter monteringen av borrarstämningen till att den sitter ordentligt fast genom att försöka dra ut den.

► Fig.8: 1. Borr

Ta ut borrarstämningen genom att trycka ner chuckskyddet hela vägen och dra ut den.

► Fig.9: 1. Borr 2. Chuckhölje

Djupmätt

Djupmättet är praktiskt för att borra hål med samma djup. Lossa sidohandtaget och sätt in djupmätaren i hålet i sidohandtaget. Justera djupmätaren till önskat djup och dra fast sidohandtaget ordentligt.

► Fig.10: 1. Hål 2. Djupmätt

OBS: Se till att djupmätaren inte vidrör maskinkroppen när du monterar den.

Dammuppsamlare (valfritt tillbehör)

Använd dammuppsamlaren för att förhindra att damm faller över maskinen och dig själv när du borrar över huvudet. Sätt fast dammuppsamlaren enligt figuren. Följande borrarstorlekar kan användas med dammuppsamlaren.

Modell	Borrdiameter
Dammuppsamlare 5	6 mm - 14,5 mm
Dammuppsamlare 9	12 mm - 16 mm

► Fig.11: 1. Dammuppsamlare

Dammuppsamlarsats (valfritt tillbehör)

OBSERVERA: Om du köper dammuppsamlarsatsen som tillbehör kan inte standard sidohandtag användas när dammuppsamlarsatsen är monterad på maskinen. När dammuppsamlarsatsen är monterad på maskinen, ta bort handtaget från standard sidohandtag och sätt därefter fast det på handtagsfästet.

► Fig.12: 1. Bult 2. Handtag 3. Tillval handtagsfäste

OBSERVERA: Använd inte dammuppsamlare vid borrar i metall eller liknande. Det kan skada dammuppsamlaren p.g.a. den värme som alstras av små metallspån eller liknande. Montera/demontera inte dammuppsamlaren med borret monterat i chucken. Det kan skada dammuppsamlarsatsen och leda till dammläckage.

Ta bort borret från maskinen (om monterat) innan du monterar dammuppsamlarsatsen. Montera distansklossen så att spåren i det passar in i spåren på den cylindriska delen medan du pressar ut den. Se till att inte fjädern lossnar från distansklossen.

► Fig.13: 1. Distanskloss 2. Fjäder

► Fig.14

Montera sidohandtaget (handtagsfäste och handtag avlägsnade från standard sidohandtag) så att spåren i handtaget passar in i spåren på distansklossen. Vrid handtaget medurs för att låsa fast det.

► Fig.15: 1. Sidohandtag

Montera dammuppsamlarsatsen så att dammuppsamlarens fingrar passar in i distansklossens spår.

► Fig.16: 1. Dammuppsamlare 2. Klo

OBS: Om du ansluter en dammsugare till dammuppsamlarsatsen måste du förs ta bort dammlocket.

► Fig.17: 1. Damlock

Ta ut borret genom att trycka ner chuckskyddet hela vägen och dra ut det.

► Fig.18: 1. Borr 2. Chuckhölje

Håll i dammuppsamlarens nedre del och dra ut den för att ta loss dammuppsamlarsatsen.

► Fig.19

OBS: Om locket lossar från dammuppsamlaren monteras det tillbaka med den tryckta sidan uppåt så att spåren i locket passar med tillbehöret.

► Fig.20

ANVÄNDNING


⚠FÖRSIKTIGT: Använd alltid sidohandtaget (extrahandtaget) och håll maskinen stadigt med både sidohandtaget och pistolhandtaget när du borrar.

⚠FÖRSIKTIGT: Se alltid till att arbetsstycket sitter ordentligt fast innan användning.

► Fig.21

Slagborrning

⚠FÖRSIKTIGT: Maskinen/borrbitsen utsätts för en plötslig och oerhört stor vridande kraft vid hålgenomslaget, när hålet fylls av spån och partiklar eller när du slår ner förstärkningar i cement. **Använd alltid sidohandtaget (extrahandtaget) och håll maskinen stadigt med både sidohandtaget och pistolhandtaget när du borrar.** I annat fall är det lätt hänt att du förlorar kontrollen över maskinen, och allvarliga personskador kan då uppstå.

Ställ reglaget för byte av arbetsläge till symbolen . Placera borret där hålet ska vara och tryck sedan in avtryckaren. Tryck inte hårt med maskinen. Lätt tryck ger bäst resultat. Håll maskinen i läge och hindra den från att glida iväg från hålet.

Tryck inte hårdare när hålet fylls med spån eller partiklar. Kör istället maskinen på tomgång, och ta sedan delvis ut borret ur hålet. Genom att upprepa detta flera gånger rensas hålet och normal borrarning kan återupptas.

OBS: Ojämn rotation av borret kan förekomma om maskinen körs utan belastning. Maskinen centrerar sig automatiskt under arbetet. Detta påverkar inte borrarningens noggrannhet.

Borrar i trä eller metall

⚠FÖRSIKTIGT: Håll ett stadigt tag i maskinen och var försiktig när borret börjar tränga igenom arbetsstycket. Det utvecklas en enorm kraft på maskinen/borret vid hålgenomslaget.


⚠FÖRSIKTIGT: Ett borr som fastnat kan enkelt backas ur genom att reversera borrarningens rotationsriktning. Maskinen kan dock plötsligt backa ut om du inte håller i den ordentligt.

⚠FÖRSIKTIGT: Fäst alltid arbetsstycken i ett stöd eller liknande fasthållningsanordningar.

OBSERVERA: Använd aldrig "slagborrning" när den vanliga borrchucken är monterad på maskinen. Borrchucken kan skadas.

Den kommer också att lossna om maskinen körs i reverseringsläge.

OBSERVERA: Borrarningen går inte fortare för att du trycker hårdare på maskinen. Detta extra tryck skadar bara toppen på ditt borr, sänker maskinens prestanda och förkortar maskinens livslängd.

Ställ reglaget för byte av arbetsläge till symbolen . Fäst chuckadaptern till en nyckellös borrchuck i vilken en skruv med storlek 1/2"-20 kan monteras och montera dem därefter i maskinen. Se avsnittet "Sätta i och ta ur borrbits" vid montering.

► Fig.22: 1. Nyckellös borrchuck 2. Chuckadapter

Gummituta

Extra tillbehör

Efter att hålet borrats klart används gummitutan för att blåsa rent hålet.

► Fig.23

Använda dammuppsamlarsatsen

Extra tillbehör

Montera dammuppsamlarsatsen vänd mot taken när du använder maskinen.

► Fig.24

OBSERVERA: Använd inte dammuppsamlare vid borrar i metall eller liknande. Det kan skada dammuppsamlaren p.g.a. den värme som alstras av små metallspån eller liknande.

OBSERVERA: Montera/demontera inte dammuppsamlaren med borret monterat i chucken. Det kan skada dammuppsamlarsatsen och leda till dammläckage.

OBS: Några av tillbehören i listan kan vara inkluderade i maskinpaketet som standardtillbehör. De kan variera mellan olika länder.

UNDERHÅLL

⚠FÖRSIKTIGT: Se alltid till att maskinen är avstängd och batterikassetten borttagen innan inspektion eller underhåll utförs.

OBSERVERA: Använd inte bensin, förtunningsmedel, alkohol eller liknande. Missfärgning, deformation eller sprickor kan uppstå.

För att upprätthålla produktens SÄKERHET och TILLFÖRLITLIGHET bör allt underhålls- och justeringsarbete utföras av ett auktoriserat Makita servicecenter och med reservdelar från Makita.

VALFRIA TILLBEHÖR

⚠FÖRSIKTIGT: Följande tillbehör eller tillsatser rekommenderas för användning med den Makita-maskin som denna bruksanvisning avser. Om andra tillbehör eller tillsatser används kan det uppstå risk för personskador. Använd endast tillbehören eller tillsatserna för de syften de är avsedda för.

Kontakta ditt lokala Makita servicecenter om du behöver ytterligare information om dessa tillbehör.

- Borr med karbidspets (SDS-Plus-borr med karbidspets)
- Borrkrona
- Borr med diamantrona
- Chuckadapter
- Nyckellös borchuck
- Smörjfett för borr
- Djupmätt
- Gummituta
- Dammuppsamlare
- Dammuppsamlarsats
- Handtagsfästessats
- Skyddsglasögon
- Förvaringsväska av plast

TEKNISKE DATA

Modell:		HR1840	HR1841F
Kapasitet	Betong	18 mm	
	Kjernebor	35 mm	
	Diamantkjernebor (tørr type)	65 mm	
	Stål	13 mm	
	Tre	24 mm	
Hastighet uten belastning		0 - 2 100 min ⁻¹	
Slag per minutt		0 - 4 800 min ⁻¹	
Total lengde		285 mm	
Nettvekt		2,0-2,4 kg	2,0 - 2,5 kg
Sikkerhetsklasse		□/II	

- På grunn av vårt kontinuerlige forsknings- og utviklingsprogram kan spesifikasjonene som oppgis i dette dokumentet endres uten varsel.
- Spesifikasjonene kan variere fra land til land.
- Vekten kan variere avhengig av tilbehør/tilbehørene. Den letteste og tyngste kombinasjonen, i henhold til EPTA-prosedyre 01/2014, vises i tabellen.

Riktig bruk

Verkøyet er beregnet på hammerboring og boring i mur, betong og stein.

Det er også egnet for boring uten slag i tre, metall, keramikk og plast.

Strømforsyning

Maskinen må bare kobles til en strømkilde med samme spenning som vist på typeskiltet, og kan bare brukes med enfase-vekselstrømforsyning. Den er dobbelt verneisoleret og kan derfor også brukes fra kontakter uten jording.

Støy

Typisk A-vektet lydtryknivå er bestemt i henhold til EN60745:

Modell HR1840

Lydtryknivå (L_{pA}): 87 dB (A)

Lydeffektnivå (L_{WA}): 98 dB (A)

Usikkerhet (K): 3 dB (A)

Modell HR1841F

Lydtryknivå (L_{pA}): 87 dB (A)

Lydeffektnivå (L_{WA}): 98 dB (A)

Usikkerhet (K): 3 dB (A)

⚠ ADVARSEL: Bruk hørselsvern.

Vibrasjoner

Den totale vibrasjonsverdien (triaksial vektorsum) bestemt i henhold EN60745:

Modell HR1840

Arbeidsmodus: slagboring i betong

Genererte vibrasjoner ($a_{h,HD}$): 10,0 m/s²

Usikkerhet (K): 1,5 m/s²

Arbeidsmodus: boring i metall

Genererte vibrasjoner ($a_{h,D}$): 3,0 m/s²

Usikkerhet (K): 1,5 m/s²

Modell HR1841F

Arbeidsmodus: slagboring i betong

Genererte vibrasjoner ($a_{h,HD}$): 7,5 m/s²

Usikkerhet (K): 1,5 m/s²

Arbeidsmodus: boring i metall

Genererte vibrasjoner ($a_{h,D}$): 3,0 m/s²

Usikkerhet (K): 1,5 m/s²

MERK: Den angitte verdien for de genererte vibrasjonene er målt i samsvar med standardtestmetoden og kan brukes til å sammenlikne et verktøy med et annet.

MERK: Den angitte verdien for de genererte vibrasjonene kan også brukes til en foreløpig vurdering av eksponeringen.

⚠ ADVARSEL: De genererte vibrasjonene ved faktisk bruk av elektroverktøyet kan avvike fra den angitte vibrasjonsverdien, avhengig av hvordan verktøyet brukes.

⚠ ADVARSEL: Sørg for å identifisere vernetiltak for å beskytte operatøren, som er basert på et estimat av eksponeringen under de faktiske bruksforholdene (idet det tas hensyn til alle deler av driftssyklusen, dvs. hvor lenge verktøyet er slått av, hvor lenge det går på tomgang og hvor lenge startbryteren faktisk holdes trykket).

EFs samsvarserklæring

Gjelder kun for land i Europa

EFs samsvarserklæring er lagt til som vedlegg A i denne bruksanvisningen.

SIKKERHETSADVARSEL

Generelle advarsler angående sikkerhet for elektroverktøy

⚠ ADVARSEL: Les alle sikkerhetsadvarsler, instruksjoner, illustrasjoner og spesifikasjoner som følger med dette elektroverktøyet. Hvis ikke alle instruksjonene nedenfor følges, kan det forekomme elektrisk støt, brann og/eller alvorlig skade.

Oppbevar alle advarsler og instruksjoner for senere bruk.

Uttrykket «elektrisk verktøy» i advarslene refererer både til elektriske verktøy (med ledning) tilkoblet strømmenettet, og batteridrevne verktøy (uten ledning).

SIKKERHETSADVARSLER FOR BORHAMMER

1. **Bruk hørselsvern.** Støy kan føre til nedsatt hørsel.
2. **Bruk hjelpehåndtak, hvis det (de) følger med maskinen.** Hvis maskinen kommer ut av kontroll, kan det resultere i helseskader.
3. **Hold maskinen i det isolerte håndtaket når skjæreverktøyet kan komme i kontakt med skjulte ledninger eller maskinens egen ledning under arbeidet.** Hvis kutteutstyret kommer i kontakt med "strømførende" ledninger, kan ikke-isolerte metalldele i maskinen bli "strømførende" og kunne gi brukeren elektrisk støt.
4. **Bruk hjelm, vernebriller og/eller ansiktsmaske. Vanlige briller og solbriller er IKKE vernebriller.** Det anbefales også på det sterkeste å bruke støvmaske og kraftig polstrede hansker.
5. **Vær sikker på at boret er skikkelig festet før du starter verktøyet.**
6. **Verktøyet er laget slik at det vil vibrere under vanlig bruk. Skruene kan lett løsne, noe som kan forårsake et verktøysammenbrudd eller en ulykke. Før bruk må du derfor kontrollere grundig at skruene ikke er løse.**
7. **I kaldt vær, eller når verktøyet ikke har vært i bruk på lenge, må du varme opp verktøyet ved å la det gå en stund uten belastning. Dette vil myke opp smøremiddelet. Hvis verktøyet ikke er skikkelig oppvarmet, vil det være vanskelig å bruke hammeren.**
8. **Pass på at du har godt fotfeste.** Forviss deg om at ingen står under deg når du jobber høyt over bakken.
9. **Hold maskinen godt fast med begge hender.**
10. **Hold hendene unna bevegelige deler.**
11. **Ikke gå fra verktøyet mens det er i gang. Verktøyet må bare brukes mens operatøren holder det i hendene.**
12. **Ikke rett verktøyet mot personer i nærheten mens det er i bruk. Boret kan fly ut og skade noen alvorlig.**
13. **Ikke berør boret eller meiselen, eller deler i nærheten av boret eller meiselen, eller arbeidsstykke umiddelbart etter at verktøyet har vært i bruk, da disse kan være ekstremt varme og kan gi brannskader.**

14. **Enkelte materialer inneholder kjemikalier som kan være giftige. Treff tiltak for å hindre hudkontakt og innånding av støv. Følg leverandørens sikkerhetsanvisninger.**
15. **Ikke berør nettpluggen med våte hender.**

TA VARE PÅ DISSE INSTRUKSENE.

⚠ ADVARSEL: IKKE LA hensynet til hva som er "behagelig" eller det faktum at du kjenner produktet godt (etter mange gangers bruk) gjøre deg mindre oppmerksom på sikkerhetsreglene for bruken av det aktuelle produktet. Ved MISBRUK eller hvis ikke sikkerhetsreglene i denne bruksanvisningen følges, kan det oppstå alvorlig personskade.

FUNKSJONSBEKRIVELSE

⚠ FORSIKTIG: Forviss deg alltid om at maskinen er slått av og støpselet trukket ut av kontakten før du justerer eller kontrollerer de mekaniske funksjonene.

Bryterfunksjon

⚠ FORSIKTIG: Før du kobler maskinen til strømmenettet, må du alltid kontrollere at startbryteren aktiverer maskinen på riktig måte og går tilbake til «AV»-stilling når den slippes.

⚠ FORSIKTIG: Bryteren kan sperres i "ON"-stilling, for å gjøre det lettere for operatøren ved langvarig bruk. Vær forsiktig når du sperrer verktøyet i "ON"-stilling, og hold det godt fast.

► Fig.1: 1. Startbryter 2. Avsperringsknapp

Trykk på startbryteren for å starte verktøyet. Verktøyet hastighet øker når du trykker hardere på startbryteren. Slipp bryteren for å stanse verktøyet.

Når verktøyet skal brukes kontinuerlig, må du trykke inn startbryteren, trykke inn sperreknappen og deretter slippe startbryteren. Hvis du vil stanse verktøyet mens det er låst i "PA"-stilling, må du trykke startbryteren helt inn og så slippe den igjen.

Tenne frontlampe

Til HR1841F

► Fig.2: 1. Startbryter 2. Lampe

⚠ FORSIKTIG: Ikke se inn i lyset eller se direkte på lyskilden.

Tenn lampen ved å trekke i startbryteren. Slå den av ved å slippe startbryteren.

OBS: Ikke bruk tynner eller bensin til å rengjøre lampen. Slike løsemidler kan ødelegge den.

MERK: Bruk en tørr klut til å tørke støv osv. av lampelinsen. Vær forsiktig så det ikke blir riper i lampelinsen, da dette kan redusere lysstyrken.

Reverseringsfunksjon

⚠FORSIKTIG: Før arbeidet begynner, må du alltid kontrollere rotasjonsretningen.

OBS: Bruk reversbryteren bare etter at verktøyet har stoppet helt. Hvis du endrer rotasjonsretningen før verktøyet har stoppet, kan det bli ødelagt.

OBS: Når du skal endre rotasjonsretningen, må du passe på å sette reversbryteren helt i stilling ◀ (A-siden) eller ▶ (B-siden). Ellers kan det hende at motoren ikke roterer eller at verktøyet ikke fungerer som det skal når du drar i startbryteren.

► Fig.3: 1. Reverseringsspak


Dette verktøyet har en reversbryter som kan brukes til å endre rotasjonsretningen. Beveg reversbryterspaken til posisjon ◀ (A-siden) for å velge rotasjon med klokken eller til posisjon ▶ (B-side) for å velge rotasjon mot klokken.

Velge en funksjon

OBS: Ikke dreii på funksjonsvelgeren mens verktøyet sviver. Verktøyet blir ødelagt.


OBS: Sørg for at du alltid bekrefter at funksjonsvelgeren står i en av funksjonsposisjonene for å unngå at modusendringmekanismen slites raskt ut.

Rotasjon med hammerboring

Når du skal bore i betong, mur, osv., må du dreie funksjonsvelgeren til den peker på -symbolet. Bruk et bor med karbidspiss.

► Fig.4: 1. Funksjonsvelger

Bare rotasjon

Når du skal bore i tre, metall eller plastmaterialer, må du dreie funksjonsvelgeren til den peker på -symbolet. Bruk et spiralbor eller trebor.

► Fig.5: 1. Funksjonsvelger

Momentbegrenser

OBS: Så snart momentbegrenseren aktiveres, må du umiddelbart slå av verktøyet. Dette vil hjelpe deg til å unngå at verktøyet blir for tidlig slitt.

OBS: Bor, som f.eks. en stikksag, som har en tendens til å bli klemt eller sette seg fast i hullet, passer ikke for dette verktøyet. Det kommer av at momentbegrenseren da vil aktiveres for ofte.

Momentbegrenseren aktiveres når et bestemt momentnivå blir nådd. Motoren vil da frikobles fra utgående aksel. Når dette skjer, vil boret slutte å rotere.

MONTERING

⚠FORSIKTIG: Forviss deg alltid om at maskinen er slått av og støpselet trukket ut av kontakten før du utfører noe arbeid på maskinen.

Støttehåndtak (hjelpeshåndtak)

⚠FORSIKTIG: Bruk alltid støttehåndtaket for å bruke verktøyet på en sikker måte.

⚠FORSIKTIG: Når du har montert eller justert støttehåndtaket, må du passe på at støttehåndtaket sitter godt fast.

Monter støttehåndtaket slik at sporene på håndtaket passer inn i fremspringene på verktøysylindren. Drei håndtaket med klokken for å feste det. Håndtaket kan festes i ønsket vinkel.

► Fig.6: 1. Støttehåndtak

Smørefett

Smør den innerste delen av endeskafet på boret med litt fett (ca. 0,5 - 1 g).

Denne kjøksmøringen sikrer jevn rotasjon og lengre levetid.

Montere eller fjerne boret

Rengjør den innerste delen av endeskafet på boret, og påfør fett før du monterer boret.

► Fig.7: 1. Endeskafet 2. Smørefett

Sett inn boret i verktøyet. Vri og skyv på boret inntil det sitter. Etter montering av boret må du alltid forsikre deg om at boret sitter som det skal ved å prøve å dra det ut.

► Fig.8: 1. Bor

Ta ut boret ved å trekke kjoksdekselet helt ned og dra ut boret.

► Fig.9: 1. Bor 2. Kjoksdeksel

Dybde måler

Dybde måleren er praktisk for boring av flere hull med samme dybde. Løsne støttehåndtaket, og sett dybde måleren inn i hullet i støttehåndtaket. Juster dybde måleren til ønsket dybde, og trekk støttehåndtaket godt til.

► Fig.10: 1. Hull 2. Dybde måler

MERK: Pass på at dybde måleren ikke berører verktøyet's hoveddel når du fester den.

Støvkopp (valgfritt tilbehør)

Bruk støvkoppen for å unngå støv på verktøyet og deg selv når du borer med verktøyet over hodet. Fest støvkoppen til boret som vist i figuren. Støvkoppen kan festes til følgende borstørrelser:

Modell	Bordiameter
Støvkopp 5	6 mm - 14,5 mm
Støvkopp 9	12 mm - 16 mm

► Fig.11: 1. Støvkopp

Støvkoppsett (valgfritt tilbehør)

OBS: Hvis du kjøper støvkoppsettet som valgfritt ekstrautstyr, er det ikke mulig å bruke standardstøttehåndtaket mens støvkoppsettet er montert på verktøyet. Når støvkoppsettet er montert på verktøyet, fjerner du håndtaket fra standardstøttehåndtaket, og deretter fester du det til det valgfrie håndtakfestesettet.

- **Fig.12:** 1. Skruer 2. Håndtak 3. Valgfritt håndtakfestesett

OBS: Ikke bruk verktøyet med støvkoppsettet når du borer i metall eller lignende. Det kan skade støvkoppsettet på grunn av varmen som metallstøvet eller lignende avgir. Ikke monter eller fjern støvkoppsettet mens boret står i verktøyet. Det kan skade støvkoppsettet og føre til støvlekkasje.

Før du monterer støvbeholdersettet må du fjerne boret fra verktøyet hvis det står i.

Monter avstandsskiven slik at sporene på avstandsskiven passer inn i fremspringene på verktøysylindern når du utvider den. Pass på at fjæren ikke løsner fra avstandsskivens slisse.

- **Fig.13:** 1. Avstandsskive 2. Fjær

- **Fig.14**

Monter støttehåndtaket (valgfritt håndtakfestesett og håndtaket fjernet fra standardhåndtaket) slik at sporet på håndtaket passer inn i fremspringet på avstandsskiven. Drei håndtaket med klokken for å feste det.

- **Fig.15:** 1. Støttehåndtak

Monter støvkoppsettet slik at krokene på støvkoppen passer inn i slissene på avstandsskiven.

- **Fig.16:** 1. Støvkopp 2. Krok

MERK: Hvis du kobler en støvsuger til støvkoppsettet, må du ta av støvdekslet før du kobler den til.

- **Fig.17:** 1. Støvdeksel

Ta ut boret ved å trekke kjoksdekslet helt ned og dra ut boret.

- **Fig.18:** 1. Bor 2. Kjoksdeksel

Hold nederst på støvkoppen og dra den ut for å fjerne støvkoppsettet.

- **Fig.19**

MERK: Hvis dekslet løsner fra støvkoppen, fester du det med den trykte siden vendt oppover slik at sporet på dekslet passer med innsiden av tilbehøret.

- **Fig.20**

BRUK

⚠FORSIKTIG: Bruk alltid støttehåndtaket (hjelpehåndtaket), og hold maskinen støtt med både støttehåndtak og hovedhåndtak når du bruker den.

⚠FORSIKTIG: Sørg alltid for at arbeidsstykket sitter godt fast før du går i gang.

- **Fig.21**

Slagborfunksjon

⚠FORSIKTIG: Verktøyet/boret utsettes for voldsomme og plutselige vridninger i det øyeblikket det bores hull, når hullet fylles opp av biter og partikler, eller når du treffer armeringsjernet i betongen. **Bruk alltid støttehåndtaket (hjelpehåndtaket), og hold maskinen støtt med både støttehåndtak og hovedhåndtak når du bruker den.** Hvis du ikke gjør det, kan du miste kontrollen og potensielt risikere alvorlige skader.

Still funksjonsvelgeren på -symbolet.

Plasser boret der du vil bore hullet, og trykk så på startbryteren. Ikke bruk makt. Lett trykk gir de beste resultatene. Hold verktøyet i riktig posisjon, og sørg for at det ikke glir bort fra hullet.

Ikke legg mer press på verktøyet når hullet fylles av biter eller partikler. La i stedet verktøyet gå på tomgang, og trekk deretter boret delvis ut av hullet. Ved å gjenta dette flere ganger, vil hullet rengjøres, og normal boring kan gjenopptas.

MERK: Hvis verktøyet brukes uten belastning, kan det forekomme kast i borrotasjonen. Under bruk sentrerer verktøyet seg automatisk. Dette påvirker ikke borenøyaktigheten.

Boring i treverk eller metall

⚠FORSIKTIG: Hold verktøyet i et fast grep, og vær forsiktig når skrutrekkerboret begynner å bryte gjennom arbeidsstykket. I gjennombruddsøyeblikket virker det en enorm kraft på verktøyet/skrutrekkerboret.

⚠FORSIKTIG: Et skrutrekkerbor som sitter fast kan fjernes hvis du setter reversbryteren til motsatt rotasjonsretning, så verktøyet kan bakke ut. Verktøyet kan imidlertid komme brått ut hvis du ikke holder det i et fast grep.

⚠FORSIKTIG: Arbeidsstykker må alltid festes med en skrustikke eller en liknende festeanordning.

OBS: "Rotasjon med hammerboring" må ikke brukes når borekjoksen er montert på verktøyet. Borekjoksen kan bli ødelagt. I tillegg løsner borekjoksen når verktøyet reverseres.

OBS: Hvis du bruker for mye kraft på verktøyet, vil det ikke øke borehastigheten. Overdreven bruk av kraft vil tvert imot kunne bidra til å ødelegge spisen av skrutrekkerboret, redusere verktøyeffekten og forkorte verktøyets levetid.

Sett funksjonsvelgeren på -symbolet.

Koble kjoksadapteren til en nøkkelfri borekjoks som skrues med en størrelse på 1/2"-20 kan festes til, og monter dem deretter på verktøyet. Når du monterer den, se delen "Montere eller fjerne boret".

- **Fig.22:** 1. Nøkkelfri borekjoks 2. Kjoksadapter

Utblåsningsballong

Valgfritt tilbehør

Etter at du har boret et hull, må du bruke utblåsningsballongen til å fjerne støv fra hullet.

► Fig.23

Bruke støvkoppsettet

Valgfritt tilbehør

Monter støvkoppsettet mot taket når du bruker verktøyet.

► Fig.24

OBS: Ikke bruk verktøyet med støvkoppsettet når du borer i metall eller lignende. Det kan skade støvkoppsettet på grunn av varmen som metallstøvet eller lignende avgir.

OBS: Ikke monter eller fjern støvkoppsettet mens boret står i verktøyet. Det kan skade støvkoppsettet og føre til støvlekkasje.

- Støvkopp
- Støvkoppsett
- Håndtaksfestesett
- Vernebriller
- Verktøykoffert av plast

MERK: Enkelte elementer i listen kan være inkludert som standardtilbehør i verktøypakken. Elementene kan variere fra land til land.

VEDLIKEHOLD

⚠FORSIKTIG: Forviss deg alltid om at maskinen er slått av og batteriet tatt ut før du foretar inspeksjon eller vedlikehold.

OBS: Aldri bruk gasolin, bensin, tynner alkohol eller lignende. Det kan føre til misfarging, deformering eller sprekkdannelse.

For å opprettholde produktets SIKKERHET og PÅLITELIGHET, må reparasjoner, vedlikehold og justeringer utføres av autoriserte Makita servicesentre eller fabrikk-servicesentre, og det må alltid brukes reservedeler fra Makita.

VALGFRITT TILBEHØR

⚠FORSIKTIG: Det anbefales at du bruker dette tilbehøret eller verktøyet sammen med den Makita-maskinen som er spesifisert i denne håndboken. Bruk av annet tilbehør eller verktøy kan forårsake personskader. Tilbehør og verktøy må kun brukes til det formålet det er beregnet på.

Ta kontakt med ditt lokale Makita-servicesenter hvis du trenger mer informasjon om dette tilbehøret.

- Bor med karbidspiss (SDS-Plus-bor med karbidspiss)
- Kjernebor
- Diamantkjernebor
- Kjoksadapter
- Nøkkelfri borekjoks
- Borfett
- Dybdemåler
- Utblåsningsballong

TEKNISET TIEDOT

Malli:		HR1840	HR1841F
Kapasiteetti	Betoni	18 mm	
	Poranterä	35 mm	
	Timanttiporanterä (Kuivatyypinen)	65 mm	
	Teräs	13 mm	
	Puu	24 mm	
Kuormittamaton kierrosnopeus		0 - 2 100 min ⁻¹	
Lyöntiä minuutissa		0 - 4 800 min ⁻¹	
Kokonaispituus		285 mm	
Nettopaino		2,0 - 2,4 kg	2,0 - 2,5 kg
Suojausluokka		□/	

- Jatkuvasta tutkimus- ja kehitystyöstämme johtuen esitetyt tekniset tiedot saattavat muuttua ilman erillistä ilmoitusta.
- Tekniset tiedot voivat vaihdella maittain.
- Paino voi olla erilainen lisävarusteista johtuen. EPTA-meneteltävän 01/2014 mukaisesti, taulukossa on kuvattu kevyin ja painavin laiteyhdistelmä.

Käyttötarkoitus

Työkalu on tarkoitettu tiilien, betonin ja kiven iskuporaukseen.

Se soveltuu myös puun, metallin, keramiikan ja muovin tavanomaiseen poraukseen.

Virtälähde

Koneen saa kytkeä vain sellaiseen virtälähteeseen, jonka jännite on sama kuin arvokilvessä ilmoitettu, ja sitä saa käyttää ainoastaan yksivaiheisella vaihtovirralla. Laitte on kaksinkertaisesti suojaeristetty ja siksi se voidaan kytkeä myös maadoittamattomaan pistorasiaan.

Melutaso

Tyypillinen A-painotettu melutaso määryyty standardin EN60745 mukaan:

Malli HR1840

Äänenpainetaso (L_{pA}): 87 dB (A)
 Äänen voiman taso (L_{WA}): 98 dB (A)
 Virhemarginaali (K): 3 dB (A)

Malli HR1841F

Äänenpainetaso (L_{pA}): 87 dB (A)
 Äänen voiman taso (L_{WA}): 98 dB (A)
 Virhemarginaali (K): 3 dB (A)

VAROITUS: Käytä kuulosuojaimia.

Tärinä

Kokonaistärinä (kolmen akselin vektorien summa) määryyty standardin EN60745 mukaan:

Malli HR1840

Työtila: betonin iskuporaaminen
 Tärinäpäästö ($a_{h,HD}$): 10,0 m/s²
 Virhemarginaali (K): 1,5 m/s²

Työtila: metalliin poraus

Tärinäpäästö ($a_{h,D}$): 3,0 m/s²
 Virhemarginaali (K): 1,5 m/s²

Malli HR1841F

Työtila: betonin iskuporaaminen

Tärinäpäästö ($a_{h,HD}$): 7,5 m/s²
 Virhemarginaali (K): 1,5 m/s²

Työtila: metalliin poraus

Tärinäpäästö ($a_{h,D}$): 3,0 m/s²
 Virhemarginaali (K): 1,5 m/s²

HUOMAA: Ilmoitettu tärinäpäästöarvo on mitattu standarditestausmenetelmän mukaisesti, ja sen avulla voidaan vertailla työkaluja keskenään.

HUOMAA: Ilmoitettua tärinäpäästöarvoa voidaan käyttää myös altistumisen alustavaan arviointiin.

VAROITUS: Työkalun käytön aikana mitattu todellinen tärinäpäästöarvo voi poiketa ilmoitetusta tärinäpäästöarvosta työkalun käyttötavan mukaan.

VAROITUS: Selvitä käyttäjän suojaamiseksi tarvittavat varoitimet todellisissa käyttöolosuhteissa tapahtuvan arvioidun altistumisen mukaisesti (ottaen huomioon käyttöjako kokonaisuudessaan, myös jaksot, joiden aikana työkalu on sammutettuna tai käy tyhjäkäynnillä).

EY-vaatimustenmukaisuusvakuutus

Koskee vain Euroopan maita

EY-vaatimustenmukaisuusvakuutus on liitetty tähän käyttöoppaaseen.

TURVAVAROITUKSET

Sähkötyökalujen käyttöä koskevat yleiset varoitukset

VAROITUS: Tutustu kaikkiin tämän sähkötyökalun mukana toimitettuihin varoituksiin, ohjeisiin, kuviin ja teknisiin tietoihin. Seuraavassa lueteltujen ohjeiden noudattamatta jättäminen saattaa johtaa sähköiskuun, tulipaloon tai vakavaan vammautumiseen.

Säilytä varoitukset ja ohjeet tulevaa käyttöä varten.

Varoituksissa käytettävällä termillä ”sähkötyökalu” tarkoitetaan joko verkkovirtaa käyttävää (johdollista) työkalua tai akkukäyttöistä (johdotonta) työkalua.

PORAVASARAN TURVALLISUUSOHJEET

- Käytä kuulosuojaimia.** Melulle altistuminen saattaa aiheuttaa kuulokyvyn heikentymistä.
- Käytä työkalun mukana mahdollisesti toimitettua lisäkahvaa tai kahvoja.** Hallinnan menetys voi aiheuttaa henkilövahinkoja.
- Pidä sähkötyökalua sen eristetyistä tartuntapinnoista silloin, kun on mahdollista, että sen terä saattaa osua piilossa oleviin johtoihin tai koneen omaan virtajohtoon.** Jos leikkaustyökalu joutuu kosketukseen jännitteisen johdon kanssa, jännite voi siirtyä työkalun sähköä johtaviin metalliosiin ja aiheuttaa käyttäjälle sähköiskun.
- Käytä kovaa päänihintä (suojakypärää), suojalaseja ja/tai kasvosuojusta.** Tavalliset silmä- tai aurinkolasit EIVÄT ole suojalaseja. Myös hengityssuojaimen ja paksujen käsineiden käyttö on suositeltavaa.
- Varmista ennen työskentelyn aloittamista, että terä on kiinnitetty tiukasti paikoilleen.**
- Laite on suunniteltu siten, että se tarisee normaalkäytössä.** Ruuvit voivat irrota hyvinkin helposti aiheuttaen laitteen rikkoutumisen tai onnettomuuden. Tarkasta ruuvien kireys huolellisesti ennen käyttöä.
- Jos ilma on kylmä tai konetta ei ole käytetty pitkään aikaan, anna sen lämmetä jonkin aikaa tyhjäkäynnillä.** Tämä tehostaa laitteen voitelua. Vasarointi voi olla hankalaa ilman asianmukaista esilämmitystä.
- Seiso aina tukevassa asennossa.** Varmista korkealla työskennellessäsi, että ketään ei ole alapuolella.
- Pidä työkalusta lujasti molemmin käsin.**
- Pidä kädet pois liikkuvien osien luota.**
- Älä jätä työkalua käymään itseksensä.** Käytä laitetta vain silloin, kun pidät sitä kädessä.
- Älä osoita laitteella ketään, kun käytät sitä.** Terä saattaa lennähtää irti ja aiheuttaa vakavan loukkaantumisen.
- Älä kosketa terää, sen lähellä olevia osia tai työkalupäätä välittömästi käytön jälkeen, sillä ne voivat olla erittäin kuumia ja aiheuttaa palovammoja.**
- Jotkin materiaalit sisältävät kemikaaleja, jotka voivat olla myrkyllisiä.** Huolehdi siitä, että pölyn sisäänhengittäminen ja ihokosketus estetään. Noudata materiaalin toimittajan turvaohjeita.

15. Älä koskettele virtajohtoa märillä käsillä.

SÄILYTÄ NÄMÄ OHJEET.

VAROITUS: ÄLÄ anna työkalun helppokäyttöisyyden (toistuvan käytön aikaansaama) johtaa sinua vääriin turvallisuuden tunteeseen niin, että laiminlyöt työkalun turvaohjeiden noudattamisen. **VÄÄRINKÄYTTÖ** tai tässä käyttöohjeessa ilmoitettujen turvamääräysten laiminlyönti voi aiheuttaa vakavia henkilövahinkoja.

TOIMINTOJEN KUVAUS

HUOMIO: Varmista aina ennen koneen säätöjen ja toiminnallisten tarkistusten tekemistä, että kone on sammutettu ja irrotettu pistorasiasta.

Kytkimen käyttäminen

HUOMIO: Tarkista aina ennen työkalun liittämistä virtalähteeseen, että liipaisinkytkin kytkeytyy oikein ja palaa asentoon ”OFF”, kun se vapautetaan.

HUOMIO: Kytkimen voi lukita ”ON”-asentoon, jotta pitkäaikainen käyttö olisi käyttäjälle mukavampaa. Ole varovainen, kun lukitset työkalun ”ON”-asentoon ja pidä työkalusta luja ote.

► **Kuva1:** 1. Liipaisinkytkin 2. Lukon vapautuspainike

Käynnistä työkalu vetämällä liipaisinkytkintä. Työkalun nopeus kasvaa liipaisinkytkimeen kohdistuvaa voimaa lisättäessä. Pysäytä vapauttamalla liipaisinkytkin.

Jatkuvaa toimintaa varten vedä liipaisinkytkimestä, työnnä lukituspainiketta ja vapauta sitten liipaisinkytkin. Kun haluat pysäyttää työkalun jatkuvan käynnin, vedä liipaisinkytkin ensin pohjaan ja vapauta se sitten.

Etulampun sytyttäminen

Malli HR1841F

► **Kuva2:** 1. Liipaisinkytkin 2. Lamppu

HUOMIO: Älä katso suoraan lampuun tai valonlähteeseen.

Kytke valo päälle painamalla liipaisinkytkintä. Sammuta valo vapauttamalla liipaisinkytkin.

HUOMAUTUS: Älä käytä lampun puhdistukseen tinneriä tai bensiiniä. Tällaiset liuottimet voivat vahingoittaa sitä.

HUOMAA: Pyyhi lika pois linssistä kuivalla liinalla. Varo naarmuttamasta linssiä, ettei valoteho laske.

Pyörimissuunnan vaihtokytkimen toiminta

▲HUOMIO: Tarkista aina pyörimissuuntaa ennen käyttöä.

HUOMAUTUS: Käytä pyörimissuunnan vaihtokytkintä vasta sen jälkeen, kun kone on lakannut kokonaan pyörimästä. Pyörimissuunnan vaihto koneen vielä pyöriessä voi vahingoittaa sitä.

HUOMAUTUS: Muutettaessa pyörimissuuntaa, varmista, että vaihtokytkin on asetettu täysin asentoon ◁ (A-puoli) tai ▷ (B-puoli). Muussa tapauksessa liipaisinkytkimen ollessa painettuna, moottori ei pyöri tai laite ei toimi oikein.

► **Kuva3:** 1. Pyörimissuunnan vaihtokytkimen vipu


Työkaluun on pyörimissuunnan vaihtokytkin. Jos haluat terän pyörivän myötäpäivään, siirrä vaihtokytkin asentoon ◁ (A puoli), ja jos vastapäivään, siirrä se asentoon ▷ (B puoli).

Toiminnon valitseminen

HUOMAUTUS: Älä liikuta toimintatilan valintanuppia, kun työkalu on käynnissä. Työkalu voi rikkoutua.

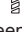
HUOMAUTUS: Estät toimintatilan vaihtomekanismin kulumisen, kun varmistat, että toimintatilan valintanappi on aina selvästi jossakin toimintatilan asennoista.

Poraus iskutoiminnolla

Betoniin, muuriin, jne. poraamiseksi pyöritä toimintatilan vaihtonuppia  symbolia kohti. Käytä kovametalliteräistä poranterää.

► **Kuva4:** 1. Toimintatilan valintanappi

Vain poraus

Kun poraat puuta, metallia tai muovia, siirrä toimintatilan vaihtovipu  symbolia kohti. Käytä kieräterää tai puun poraukseen tarkoitettua terää.

► **Kuva5:** 1. Toimintatilan valintanappi

Vääntömomentin rajoitin

HUOMAUTUS: Sammuta työkalu heti, kun vääntömomentin rajoitin kytkeytyy päälle. Näin voidaan ehkäistä työkalun liian nopea kuluminen.

HUOMAUTUS: Terät, kuten reikäterä, joilla on taipumusta puristua tai juuttua helposti reikään, eivät ole sopivia tähän työkaluun. Tämä johtuu siitä, että vääntömomentin rajoitin kytkeytyy päälle liian usein niitä käytettäessä.

Vääntömomentin rajoitin aktivoituu, kun vääntömomentti saavuttaa tietyn tason. Tällöin moottori kytkeytyy irti käyttöakselista. Samalla terä lakkaa pyörimästä.

KOKOONPANO

▲HUOMIO: Varmista aina ennen koneelle tehtäviä toimenpiteitä, että kone on sammutettu ja irrotettu pistorasiasta.

Sivukahva (apukahva)

▲HUOMIO: Käytä aina sivukahvaa käyttöturvallisuuden varmistamiseksi.

▲HUOMIO: Varmista, että sivukahva on paikallaan luotettavasti sen asentamisen tai säätämisen jälkeen.

Kiinnitä sivukahva siten, että kahvassa olevat urat osuvat työkalun vaipassa oleviin ulkonemiin. Kierrä kahvaa myötäpäivään sen lukitsemiseksi. Kahva voidaan kiinnittää haluttuun kulmaan.

► **Kuva6:** 1. Sivukahva

Voitele

Levitä poranterän karanpään etukäteen pieni määrä rasvaa (noin 0,5 - 1 g). Tämä istukan voitelu varmistaa tasaisen toiminnan ja pitkän käyttöiän.

Poranterän kiinnittäminen tai irrottaminen

Puhdista poranterän karanpää ja levitä rasvaa ennen poranterän asentamista.

► **Kuva7:** 1. Karanpää 2. Voitele

Työnnä poranterä työkaluun. Kierrä poranterää ja työnnä sitä, kunnes se kytkeytyy työkaluun. Poranterän asentamisen jälkeen varmista, että se on lukittuna paikalleen yrittämällä vetää sitä irti työkalusta.

► **Kuva8:** 1. Poranterä

Irrota poranterä painamalla istukan suojuksen täysin alas ja vetämällä poranterä irti.

► **Kuva9:** 1. Poranterä 2. Istukan suojuksen

Syvyystulkki

Syvyysmittari on kätevä saman syvyisten reikien poraamisessa. Löysää sivukahva ja työnnä syvyystulkki sivukahvan reikään. Säädä syvyystulkin mitta haluttuun syvyyteen ja kiristä sivukahva luotettavasti.

► **Kuva10:** 1. Reikä 2. Syvyystulkki

HUOMAA: Varmista, että syvyysmittari ei kosketa työkalun runkoa sen kiinnittämisen aikana.

Pölykorkki (vaihtoehtoinen lisävaruste)

Pölykorkki estää pölyn pääsyn laitteeseen ja suojaaa poraajaa, kun porataan yläpuolella olevia kohteita. Kiinnitä pölykorkki terään kuvan osoittamalla tavalla. Pölykorkki voidaan kiinnittää seuraavan kokoisiin teriin.

Malli	Terän halkaisija
Pölykorkki 5	6 mm - 14,5 mm
Pölykorkki 9	12 mm - 16 mm

► **Kuva11:** 1. Pölykorkki

Pölykorkkisarja (vaihtoehtoinen lisävaruste)

HUOMAUTUS: Jos ostat valinnaisena lisävarusteena myytävän pölysuojussarjan, vakiosivukahva ei voida käyttää, koska sen paikalle työkaluun asennetaan pölysuojussarja. Jos pölysuojussarja asennetaan laitteeseen, irrota kahva vakiosivukahvasta ja tämän jälkeen kiinnitä se lisävarusteena saatavaan kahva-alustasarjaan.

- **Kuva12:** 1. Pultti 2. Kahva 3. Lisävarusteena saatava kahva-alustasarja

HUOMAUTUS: Älä käytä pölykorkkisarjaa metallia tai muuta vastaavaa materiaalia porattaessa. Tämä voi vahingoittaa pölykorkkisarjaa pienistä metallipölyistä tai vastaavista muodostuneesta lämmöstä johtuen. Älä asenna tai irrota pölykorkkisarja poranterän ollessa asennettuna työkaluun. Tämä voi vahingoittaa pölykorkkisarjaa ja aiheuttaa pölyvuojoja.

Jos porassa on terä, irrota se ennen pölykorkin asentamista.

Kiinnitä välikappale niin, että välikappaleessa olevat urat osuvat koneen vaipassa oleviin ulkonemiin sen levittämisen aikana. Varo, ettei jousi sinkoa ulos välikappaleen urasta.

- **Kuva13:** 1. Välikappale 2. Jousi

► Kuva14

Asenna sivukahva (lisävarusteena saatava kahva-alustasarja ja vakiosivukahvasta irrotettu kahva) niin, että kahvassa olevat urat kohdistuvat välikappaleessa oleviin ulkonemiin. Lukitse kahva kiertämällä sitä myötäpäivään.

- **Kuva15:** 1. Sivukahva

Asenna pölykorkkisarja niin, että pölykorkin leuat osuvat välikappaleessa uriin.

- **Kuva16:** 1. Pölykorkki 2. Hammas

HUOMAA: Jos liität polynimurin pölykorkkisarjaan, irrota pölysuojus ennen liitäntää.

- **Kuva17:** 1. Polysuojus

Irrota porantera painamalla istukan suojus täysin alas ja vetämällä porantera irti.

- **Kuva18:** 1. Terä 2. Istukan suojus

Irrota pölykorkkisarja pitämällä kiinni pölykorkin kannasta ja vetämällä se ulos.

- **Kuva19**

HUOMAA: Jos suojus irtoaa pölykorkista, kiinnitä se kuviollinen puoli ylöspäin niin, että suojuksen ura osuu lisälaitteen kehän sisäpuolelle.

- **Kuva20**

TYÖSKENTELY


▲HUOMIO: Käytä aina sivukahvaa (apukahvaa) ja pidä työkalusta tiukasti toinen käsi sivukahvalla ja toinen kytkinkahvalla työskentelyn aikana.

▲HUOMIO: Varmista aina, että työkappale on kiinnitetty luotettavasti paikalleen ennen työkalun käyttöä.

- **Kuva21**

Iskuporatoiminta

▲HUOMIO: Työkaluun/poranteraan kohdistuu valtava voima, kun terä menee läpi työkappaleesta, kun reikä tukkeutuu lastuista ja purusta tai kun terä osuu betoniraidoitukseen. **Käytä aina sivukahvaa (apukahvaa) ja pidä työkalusta tiukasti toinen käsi sivukahvalla ja toinen kytkinkahvalla työskentelyn aikana.** Jos näin ei tehdä, seurauksena voi olla työkalun hallinnan menetys ja mahdollisesti vakava vamma.

Aseta toimintatilan valintanuppi  symbolia kohti. Aseta porantera haluttuun kohtaan reiän poraamista varten ja tämän jälkeen vedä laukaisinkytkimestä. Älä käytä tarpeetonta voimaa. Kevyt paine takaa parhaan lopputuloksen. Pidä työkalu paikallaan ja estä sen liukumista pois aukosta.

Jos reikä tukkeutuu lastuista ja purusta, älä käytä lisävoimaa. Anna sen sijaan työkalun käydä joutokäynnillä ja vedä terä osittain ulos reiästä. Toista tämä useampaan kertaan, jolloin reikä puhdistuu ja voit jatkaa poraamista.

HUOMAA: Terä voi pyöriä epäkeskoisesti, jos työkalua käytetään ilman kuormaa. Varsinaisen porauksen aikana työkalu keskittää itsensä automaattisesti. Tämä ei vaikuta porauksen tarkkuuteen.

Poraus puuhun tai metalliin


▲HUOMIO: Pidä työkalu tukevassa otteessa ja ole varovainen, kun terä alkaa porautua läpi työkappaleesta. Työkaluun/terään kohdistuu valtava voima, kun terä porautuu läpi.

▲HUOMIO: Juuttuneen terän voi irrottaa vaihtamalla terän pyörimis-suuntaa ja peruuttaa. Pidä kuitenkin työkalusta lujasti kiinni, sillä se voi tökätä taaksepäin äkkinäisesti.

▲HUOMIO: Kiinnitä työkappaleet aina viila-pankkiin tai vastaavaan pidikkeeseen.

HUOMAUTUS: Älä koskaan käytä poraamiseen "iskutoimintoa" teräistukan ollessa asennettuna työkaluun. Poraistukka voi vaurioitua. Poraistukka voi myös tulla pois kun työkalun pyörimis-suuntaa muutetaan.

HUOMAUTUS: Työkalun painaminen liian voimakkaasti ei nopeuta poraamista. Päinvastoin liiallinen paine vain tylsyyttää poranteraä, hidastaa työtä ja lyhentää työkalun käyttöikää.

Kierrä toimintatilan valintanuppia  symbolia kohti. Kiinnitä istukan sovitin kiillattomaan poraistukkaan, mihin voidaan asentaa 1/2"-20 koon ruuvi. Tämän jälkeen asenna ne työkaluun. Asennuksen aikana katso asennusohjeet luvusta "Poranterän kiinnittäminen tai irrottaminen".

► **Kuva22:** 1. Pikaistukka 2. Istukan sovitin

Puhallin

Lisävaruste

Porausken jälkeän puhdista pöly reiästä puhaltimella.

► **Kuva23**

Pölykorkkisarjan käyttö

Lisävaruste

Sovita pölykorkkisarja kanta vasten työkalun käytön aikana.

► **Kuva24**

HUOMAUTUS: Älä käytä pölykorkkisarjaa metallia tai muuta vastaavaa materiaalia porattaessa. Tämä voi vahingoittaa pölykorkkisarjaa pienistä metallipölyistä tai vastaavista muodostuneesta lämmöstä johtuen.

HUOMAUTUS: Älä asenna tai irrota pölykorkkisarjaa poranterän ollessa asennettuna työkaluun. Tämä voi vahingoittaa pölykorkkisarjaa ja aiheuttaa pölyvuotoja.

KUNNOSSAPITO

⚠HUOMIO: Varmista aina ennen tarkastusta tai huoltoa, että työkalu on sammutettu ja akku irrotettu.

HUOMAUTUS: Älä koskaan käytä bensiiniä, ohenteita, alkoholia tai tms. aineita. Muutoin pinta voi halkeilla tai sen värit ja muoto voivat muuttua. Muutoin laitteeseen voi tulla värjäytymiä, muodon vääristymiä tai halkeamia.

Tuotteen TURVALLISUUDEN ja LUOTETTAVUUDEN takaamiseksi korjaukset, muut huoltotyöt ja säädöt on teetettävä Makitan valtuutetussa huoltopisteessä Makitan varaosia käyttäen.

LISÄVARUSTEET

⚠HUOMIO: Seuraavia lisävarusteita tai laitteita suositellaan käytettäväksi tässä ohjeessa kuvatun Makita-työkalun kanssa. Muiden lisävarusteiden tai laitteiden käyttö voi aiheuttaa henkilövahinkoja. Käytä lisävarusteita ja -laitteita vain niiden käyttötarkoituksen mukaisesti.

Jos tarvitset apua tai yksityiskohtaisempia tietoja seuraavista lisävarusteista, ota yhteys paikalliseen Makitan huoltoon.

- Kovametallikärkiset poranterät (SDS-Plus kova-
- metallikärkiset terät)
- Poranterä
- Timanttiporanterä
- Istukan sovitin
- Pikaistukka
- Terärasva
- Syvyystulkki
- Puhallin
- Pölykorkki
- Pölykorkkisarja
- Kahvan alustasarja
- Suojalasit
- Muovinen kantolaukku

HUOMAA: Jotkin luettelossa mainitut varusteet voivat sisältyä työkalun toimitukseen vakiovarusteina. Ne voivat vaihdella maittain.

SPECIFIKĀCIJAS

Modelis:		HR1840	HR1841F
Veiktspēja	Betons	18 mm	
	Kroņurbis	35 mm	
	Dimanta kroņurbis (sausā tipa)	65 mm	
	Tērauds	13 mm	
	Koks	24 mm	
Ātrums bez slodzes		0 - 2 100 min ⁻¹	0-2 100 min ⁻¹
Triecieni minūtē		0 - 4 800 min ⁻¹	0-4 800 min ⁻¹
Kopējais garums		285 mm	
Neto svars		2,0-2,4 kg	2,0-2,5 kg
Drošības klase		II/II	

- Nepārtrauktās izpētes un izstrādes programmas dēļ šeit uzrādītās specifikācijas var tikt mainītas bez brīdinājuma.
- Atkarībā no valsts specifikācijas var atšķirties.
- Svārs var atšķirties atkarībā no papildierīces (-ēm). Tabulā ir attēlota vieglākā un smagākā kombinācija atbilstoši EPTA procedūrai 01/2014.

Paredzētā lietošana

Šis darbarīks ir paredzēts triecienurbšanai un urbšanai ķieģeļos, betonā un akmeņi.

Tas ir piemērots arī parastai urbšanai (bez trieciena) kokā, metālā, keramikā un plastmasā.

Barošana

Darbarīks jāpievieno tikai tādām barošanas avotam, kura spriegums atbilst uz darbarīka tehnisko datu plāksnītes norādītajam, un darbarīku var izmantot tikai ar vienfāzes maiņstrāvas barošanu. Darbarīks aprīkots ar divkārtīgu izolāciju, tādēļ to var izmantot arī, pievienojot kontaktligzdai bez iezemējuma vada.

Trokšņa līmenis

Tipiskais A svērtais trokšņa līmenis noteikts saskaņā ar EN60745:

Modelis HR1840

Skaņas spiediena līmeni (L_{PA}): 87 dB (A)

Skaņas jaudas līmeni (L_{WA}): 98 dB (A)

Mainīgums (K): 3 dB (A)

Modelis HR1841F

Skaņas spiediena līmeni (L_{PA}): 87 dB (A)

Skaņas jaudas līmeni (L_{WA}): 98 dB (A)

Mainīgums (K): 3 dB (A)

▲BRĪDINĀJUMS: Lietojiet ausu aizsargus.

Vibrācija

Vibrācijas kopējā vērtība (trīsasu vektora summa) noteikta atbilstoši EN60745:

Modelis HR1840

Darba režīms: triecienurbšana betonā

Vibrācija (a_{h,HD}): 10,0 m/s²

Mainīgums (K): 1,5 m/s²

Darba režīms: urbšana metālā
Vibrācijas izmete (a_{h,D}): 3,0 m/s²
Mainīgums (K): 1,5 m/s²

Modelis HR1841F

Darba režīms: triecienurbšana betonā

Vibrācija (a_{h,HD}): 7,5 m/s²

Mainīgums (K): 1,5 m/s²

Darba režīms: urbšana metālā

Vibrācijas izmete (a_{h,D}): 3,0 m/s²

Mainīgums (K): 1,5 m/s²

PIEZĪME: Paziņotā vibrācijas emisijas vērtība noteikta atbilstoši standartā pārbaudes metodei un to var izmantot, lai salīdzinātu vienu darbarīku ar citu.

PIEZĪME: Paziņoto vibrācijas emisijas vērtību arī var izmantot iedarbības sākotnējā novērtējumā.

▲BRĪDINĀJUMS: Reāli lietojot elektrisko darbarīku, vibrācijas emisija var atšķirties no paziņotās emisijas vērtības atkarībā no darbarīka izmantošanas veida.

▲BRĪDINĀJUMS: Lai aizsargātu lietotāju, nosakiet drošības pasākumus, kas pamatoti ar iedarbību reālos darba apstākļos (ņemot vērā visus ekspluatācijas cikla posmus, piemēram, laiku, kamēr darbarīks ir izslēgts un kad darbojas tukšgaitā, kā arī palaišanas laiku).

EK atbilstības deklarācija

Tikai Eiropas valstīm

EK atbilstības deklarācija šajā lietošanas rokasgrāmatā ir iekļauta kā A pielikums.

DROŠĪBAS BRĪDINĀJUMI

Vispārīgi elektrisko darbarīku drošības brīdinājumi

▲BRĪDINĀJUMS: Izlasiet visus drošības brīdinājumus, instrukcijas, apskatiet ilustrācijas un tehniskos datus, kas iekļauti mehanizētā darbarīka komplektācijā. Ja netiek ievēroti visi tālāk minētie noteikumi, var tikt izraisīta elektrotrauma, notikt aizdegšanās un/vai rasties smagas traumas.

Glabājiet visus brīdinājumus un norādījumus, lai varētu tajos ieskatīties turpmāk.

Termins „elektrisks darbarīks” brīdinājumos attiecas uz tādu elektrisko darbarīku, ko darbina ar elektrību (ar vadu), vai tādu, ko darbina ar akumulatoru (bez vada).

DROŠĪBAS BRĪDINĀJUMI PERFORATORA LIETOŠANAI

1. Izmantojiet ausu aizsargus. Troksnis var izraisīt dzirdes zudumu.
2. Izmantojiet ar darbarīku piegādātos papildu rokturus. Zaudējot kontroli, var tikt gūtas traumas.
3. Veicot darbu, turiet mehanizēto darbarīku aiz izolētajām satveršanas virsmām, ja griešanas instruments varētu saskarties ar apslēptu elektroinstalāciju vai ar savu vadu. Griezējinstrumentam saskaroties ar kabeli zem sprieguma, spriegums var tikt pārņemts uz elektriskā mehanizētā darbarīka metāla daļām un radīt operatoram elektrotraumu.
4. Izmantojiet aizsargķiveri, aizsargbrilles un/vai sejas aizsargu. Parastās brilles vai saulesbrilles NAV aizsargbrilles. Noteikti ieteicams izmantot arī putekļu masku un biezus, polsterētus cimdus.
5. Pirms sākt darbu pārbaudiet, vai uzgalis ir nostiprināts.
6. Parastas darbības laikā darbarīks rada vibrāciju. Skrūves var viegli atskrūvēties, izraisot bojājumus vai negadījumu. Pirms sākt darbu rūpīgi pārbaudiet skrūvju pievilikumu.
7. Aukstā laikā vai tad, ja darbarīku neesat izmantojis ilgu laiku, ļaujiet darbarīkam nedaudz iesilt, darbinot to bez slodzes. Tas sasildīs ziežvielas darbarīkā. Bez pienācīgas iesildīšanas būs grūti veikt kaļšanu.
8. Vienmēr nodrošiniet stabilu pamatu kājām. Ja lietojat darbarīku, strādājot lielā augstumā virs zemes, pārliecinieties, ka apakšā neviena nav.
9. Turiet darbarīku cieši ar abām rokām.
10. Netuviniet rokas kustīgajām daļām.
11. Neatstājiet darbarīku ieslēgtu. Darbiniet darbarīku vienīgi tad, ja turat to rokās.
12. Iedarbinātu darbarīku nevērsiet pret tuvumā esošiem cilvēkiem. Uzgalis var tikt izsviests un radīt smagu traumu.
13. Tūlīt pēc darbarīka lietošanas nepieskarieties uzgalim, uzgaļa vai apstrādājamā materiāla tuvumā esošām daļām, jo daļas var būt ļoti karstas un apdedzināt ādu.

14. Daži materiāli satur ķīmiskas vielas, kuras var būt toksiskas. Izvairieties no putekļu ieelpošanas un to nokļūšanas uz ādas. Ievērojiet materiāla piegādātāja drošības datus.
15. Ar mitrām rokām nepieskarieties strāvas vada kontaktdakšai.

SAGLABĀJIET ŠOS NORĀDĪJUMUS.

▲BRĪDINĀJUMS: NEPIELĀUJIET to, ka labu iemaņu vai izstrādājuma labas pārzināšanas (darbarīku atkārtoti ekspluatējot) rezultātā vairs stingri neievērojāt šīs izstrādājuma drošības noteikumus. **NEPAREIZI LIETOJOT** darbarīku vai neievērojot šajā instrukciju rokasgrāmatā minētos drošības noteikumus, var tikt gūtas smagas traumas.

FUNKCIJU APRAKSTS

▲UZMANĪBU: Pirms regulējat vai pārbaudāt darbarīka darbību, vienmēr pārliecinieties, ka darbarīks ir izslēgts un atvienots no barošanas.

Slēdža darbība

▲UZMANĪBU: Pirms darbarīka pieslēgšanas vienmēr pārbaudiet, vai slēdža mēlīte darbojas pareizi un atlaista atgriežas stāvoklī „OFF” (Izslēgts).

▲UZMANĪBU: Slēdzi var fiksēt stāvoklī „ON” (ieslēgts), lai atvieglotu operatora darbu, strādājot ilgstoši. Esiet uzmanīgs, fiksējot darbarīka slēdzi stāvoklī „ON” (ieslēgts); stingri turiet darbarīku.

► Att.1: 1. Slēdža mēlīte 2. Atbloķēšanas poga

Lai ieslēgtu darbarīku, pavelciet slēdža mēlīti. Darbarīka ātrums palielinās, palielinoties spiedienam uz slēdža mēlīti. Lai darbarīku apturētu, atlaidiet slēdža mēlīti.

Lai darbarīks darbotos nepārtraukti, pavelciet slēdža mēlīti un nospiediet bloķēšanas pogu, pēc tam atlaidiet slēdža mēlīti. Lai apturētu darbarīku, kad slēdzis ir bloķēts, nospiediet slēdža mēlīti līdz galam, tad atlaidiet to.

Priekšējās lampas ieslēgšana

Paredzēts modelim HR1841F

► Att.2: 1. Slēdža mēlīte 2. Lampa

▲UZMANĪBU: Neskatieties gaismā, neļaujiet tās avotam iespīdēt acīs.

Lai ieslēgtu lampu, nospiediet slēdža mēlīti. Atlaidiet slēdža mēlīti, lai to izslēgtu.

IEVĒRĪBAI: Lai tīrītu lampu, neizmantojiet šķīdinātāju vai benzīnu. Šādi šķīdinātāji var to sabojāt.

PIEZĪME: Ar sausu lupatiņu notīriet netīrumus no lampas lēcas. Izvairieties saskrāpēt lampas lēcu, jo tādējādi tiek samazināts apgaismojums.

Griešanās virziena pārslēdzēja darbība

⚠ UZMANĪBU: Pirms sākat strādāt, vienmēr pārbaudiet griešanās virzienu.

IEVĒRĪBAI: Izmantojiet griešanās virziena pārslēdzēju tikai pēc darbarīka pilnīgas apstāšanās. Griešanās virziena maiņa pirms darbarīka pilnīgas apstāšanās var to sabojāt.

IEVĒRĪBAI: Mainot griešanās virzienu, noteikti iestatiet griešanās virziena pārslēdzēja sviru pozīcijā \triangleleft (A puse) vai \triangleright (B puse). Citādi, nospiežot slēdža mēlīti, motors, iespējams, negriezīsies vai darbarīks darbosies nepareizi.

► **Att.3:** 1. Griešanās virziena pārslēdzēja svira


Šis darbarīks ir aprīkots ar pārslēdzēju, kas ļauj mainīt griešanās virzienu. Pārbīdiēt griešanās virziena pārslēdzēja sviru stāvoklī \triangleleft (A puse) rotācijai pulksteņrādītāju kustības virzienā vai stāvoklī \triangleright (B puse) rotācijai pretēji pulksteņrādītāju kustības virzienam.

Darba režīma izvēle

IEVĒRĪBAI: Negrieziet darba režīma pārslēdzēju, kad darbarīks darbojas. Darbarīks tiks sabojāts.

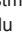
IEVĒRĪBAI: Lai režīma maiņas mehānisms ātri nenolietotos, pārliecinieties, ka darbības režīma maiņas gredzens vienmēr precīzi atrodas vienā no darba režīma pozīcijām.

Triecienurbšana

Urbšanai betonā, mūrī u. c. pagrieziet darbības režīma maiņas gredzenu pret simbolu . Lietojiet urbja uzgali ar karbīdu.

► **Att.4:** 1. Darba režīma pārslēdzējs

Parasta urbšana

Urbšanai kokā, metālā vai plastmasā pagrieziet darba režīma pārslēdzēju pret simbolu . Izmantojiet spirālurbja uzgali vai kokurbja uzgali.

► **Att.5:** 1. Darba režīma pārslēdzējs

Griezes momenta ierobežotājs

IEVĒRĪBAI: Tiklīdz ieslēdzas griezes momenta ierobežotājs, nekavējoties izslēdziet darbarīku. Tādējādi novērsīsiet priekšlaicīgu darbarīka nolietošanu.

IEVĒRĪBAI: Šim darbarīkam nav piemēroti tādi urbšanas uzgali kā gredzenzāģi, kas bieži mēdz iespieties vai iekerties atverēs. Tam par iemeslu ir apstākļi, ka pārāk bieži ieslēgsies griezes momenta ierobežotājs.

Griezes momenta ierobežotājs ieslēgsies, sasniedzot noteiktu griezes momenta līmeni. Motors atvienosies no dzenamās vārpstas. Kad tas notiek, urbja uzgali pārstāj griezties.

MONTĀŽA

⚠ UZMANĪBU: Vienmēr pārliecinieties, ka darbarīks ir izslēgts un atvienots no barošanas, pirms veicat jebkādas darbības ar darbarīku.

Sānu rokturis (palīgrokturis)

⚠ UZMANĪBU: Lai darbu veiktu droši, vienmēr izmantojiet sānu rokturi.

⚠ UZMANĪBU: Pēc sānu roktura uzstādīšanas vai regulēšanas pārliecinieties, ka tas ir stingri nostiprināts.

Uzstādiēt sānu rokturi tā, lai roktura rievās iegultos darbarīka korpusa izciļņos. Pagrieziet rokturi pulksteņrādītāju kustības virzienā, lai to fiksētu. Rokturi ir iespējams nostiprināt vēlamajā leņķī.

► **Att.6:** 1. Sānu rokturis

Elļošana

Vispirms urbja uzgala kātu pārklājiet ar nelielu daudzumu ziedes (apmēram 0,5–1 g).

Šādi ieeļļojot spīļpatronu, darbība būs vienmērīga un pāldzināsies tās darbmūžs.

Urbja uzgala uzstādīšana un noņemšana

Notīriet urbja uzgala kāta galu un pirms urbja uzgala uzstādīšanas uzklājiet ziedi.

► **Att.7:** 1. Kāta gals 2. Elļošana

Ievietojiet urbja uzgali darbarīkā. Pagrieziet urbja uzgali un iespiediet to, līdz tas fiksējas.

Pēc uzstādīšanas vienmēr pārliecinieties, ka tas stingri turas, mēģinot uzgali izvilkīt.

► **Att.8:** 1. Urbja uzgali

Lai izņemtu urbja uzgali, pavelciet spīļpatronas aizsargu pilnībā uz leju un izvelciet urbja uzgali.

► **Att.9:** 1. Urbja uzgali 2. Spīļpatronas aizsargs

Dzīļummērs

Dzīļummērs ir noderīgs vienāda dzīļuma caurumu urbšanai. Atskrūvējiet vaiņģāk sānu rokturi un ievietojiet dzīļummēru sānu roktura atverē. Noregulējiet dzīļummēru vēlamajā dzīļumā un pievelciet sānu rokturi.

► **Att.10:** 1. Atverē 2. Dzīļummērs

PIEZĪME: Pārliecinieties, ka dzīļummērs, to piestiprinot, nesaskaras ar galveno darbarīka korpusu.

Putekļu piltuve (papildpiederums)

Urbjot virs galvas līmeņa, izmantojiet putekļu piltuvi, lai putekļi nekrīstu uz darbarīka un jums. Piestipriniet putekļu piltuvi pie uzgala, kā parādīts attēlā. Tālāk norādīts uzgala izmērs, pie kuriem var piestiprināt putekļu piltuvi.

Modelis	Uzgaļa diametrs
Putekļu piltuve 5	6–14,5 mm
Putekļu piltuve 9	12–16 mm

► **Att.11:** 1. Putekļu piltuve

Putekļu piltuves komplekts (papildpiederums)

IEVĒRĪBAI: Ja putekļu piltuves komplektu iegādājāties kā papildaprīkojumu, uz darbarīka vienlaikus nevarēsīt uzstādīt sānu rokturi un putekļu piltuves komplektu. Ja uz darbarīka ir uzstādīts putekļu piltuves komplekts, noņemiet sānu rokturi un piestipriniet to atsevišķi pieejamajai rokturu pamatnei.

► **Att.12:** 1. Skrūve 2. Rokturis 3. Atsevišķi iegādājams rokturu pamatnes komplekts

IEVĒRĪBAI: Neizmantojiet putekļu piltuves komplektu, urbjot metālā vai tamlīdzīgi materiālā. Tā kā metāla putekļi un tamlīdzīgi materiāli rada karstumu, putekļu piltuves komplekts var tikt bojāts. Neuzstādiat vai nenonēmiat putekļu piltuves komplektu, ja darbarīka ir uzstādīts urbja uzgalis. Tādējādi var sabojāt putekļu piltuves komplektu, un var rasties putekļu noplūde.

Pirms putekļu piltuves komplekta uzstādīšanas no darbarīka noņemiet uzgali, ja tas ir pievienots. Uzstādiat starpliņu tā, lai rievas uz starplikas iegult darbarīka korpusa izciņņos, korpusu izvēršot. Raugieties, lai atspere neatdalītos no starplikas šķēluma.

► **Att.13:** 1. Starpliņa 2. Atspere

► **Att.14**

Uzstādiat sānu rokturi (atsevišķi pieejamā rokturu pamatne un noņemtais sānu rokturis) tā, lai starplikas izcilnis iegults roktura rievā. Pagrieziet rokturi pulksteņrādītāja kustības virzienā, lai to fiksētu.

► **Att.15:** 1. Sānu rokturis

Uzstādot putekļu piltuves komplektu, raugieties, lai putekļu piltuves skavas iegūlas starplikas šķēlumos.

► **Att.16:** 1. Putekļu piltuve 2. Āķis

PIEZĪME: Ja putekļu piltuves komplektam pievienojat putekļsūcēju, pirms pievienošanas noņemiet putekļu vāciņu.

► **Att.17:** 1. Putekļu vāciņš

Lai izņemtu urbja uzgali, pavelciet spīlpatronas aizsargu pilnībā uz leju un izvelciet urbja uzgali.

► **Att.18:** 1. Uzgalis 2. Spīlpatronas aizsargs

Lai noņemtu putekļu piltuves komplektu, satveriet putekļu piltuves pamatni un izvelciet.

► **Att.19**

PIEZĪME: Ja vāciņš atdalās no putekļu piltuves, piestipriniet to ar marķēto pusi vērstu augšup, lai vāciņa rievā nostiprinātos stiprinājuma iekšpusē.

► **Att.20**

EKSPLUATĀCIJA


⚠UZMANĪBU: Darba laikā vienmēr izmantojiet sānu rokturi (palīgrokturi) un stingri turiet darbarīku aiz abiem sānu rokturiem un slēdža roktura.

⚠UZMANĪBU: Pirms darba sākšanas vienmēr pārlicinieties, ka apstrādājama materiāls ir nostiprināts.

► **Att.21**

Triecienurbšana

⚠UZMANĪBU: Cauruma izlaušanas brīdī, arī caurumam nosprostojoties ar skaidām un materiāla daļiņām vai trāpot betonā esošajiem armatūras stieņiem, uz darbarīku un urbja uzgali iedarbojas ārkārtīgi liels un pēkšņs vērpes spēks. **Darba laikā vienmēr izmantojiet sānu rokturi (palīgrokturi) un stingri turiet darbarīku aiz abiem sānu rokturiem un slēdža roktura.** Ja šādi nerīkosities, varat zaudēt darbarīka vadību un gūt smagas traumas.

Pagrieziet darba režīma pārslēdzēju pret simbolu . Novietojiet urbja uzgali vietā, kur nepieciešams caurums, tad nospiediet slēdža mēlīti. Nelietojiet darbarīku ar spēku. Labāko rezultātu iespējams panākt ar vieglu spiedienu. Saglabājiet darbarīku šādā stāvoklī un nepieļaujiet tā novirzīšanos no cauruma.

Ja caurums nosprostojas ar skaidām vai materiāla daļiņām, nespiediet darbarīku spēcīgāk. Tā vietā darbiniet darbarīku tukšgaitā, tad daļēji izvelciet urbja uzgali no cauruma. Veicot šo darbību atkārtoti, caurums tiks iztīrīts, un varēsīt atsākt parasto urbšanu.

PIEZĪME: Darbinot darbarīku bez slodzes, urbja uzgaļa griešanās var nebūt centrēta. Darba laikā darbarīks iecentrējas automātiski. Tas neietekmē urbšanas precizitāti.

Urbšana kokā vai metālā


⚠UZMANĪBU: Stingri turiet darbarīku un īpaši uzmanieties brīdī, kad urbja uzgalis sāk virzīties cauri apstrādājama daļai. Cauruma izveides brīdī uz darbarīku un uzgali iedarbojas ļoti liels spēks.

⚠UZMANĪBU: Iestrēgušu urbja uzgali var atbrīvot, vienkārši uzstādot griešanās virziena pārslēdzēju pretējā virzienā, lai urbis tiktu virzīts atpakaļ virzienā uz āru. Taču uzmanieties, jo, ja ierīci neturēsīt stingri, tā var strauji virzīties atpakaļ.

⚠UZMANĪBU: Nelielas apstrādājamas detaļas vienmēr ievietojiet skrūvspīlēs vai citā stiprinājuma ierīcē.

IEVĒRĪBAI: Nekad neizmantojiet „trīcienurbšanas” režīmu, ja darbarīkam ir uzstādīta urbja spļipatrona. Urbja spļipatrona var tikt bojāta. Mainot darbarīka griešanās virzienu, urbja spļipatrona nokrišis.

IEVĒRĪBAI: Pārmērīgs spiediens uz darbarīku urbšanas ātrumu nepalielinās. Patiesībā pārmērīgs spiediens tikai sabojās urbja uzgali, samazinās darbarīka jaudu un saīsinās tā kalpošanas laiku.

Pagrieziet darbības režīma maiņas gredzenu pret simbolu .

Piestipriniet spļipatronas pāreju tādai urbja spļipatronai bez atslēgas, kurā var ievietot 1/2"-20 izmēra skrūvi, un tad piestipriniet to pie darbarīka. Veicot uzstādīšanu, skatiet sadaļu „Urbja uzgala uzstādīšana un noņemšana”.

- **Att.22:** 1. Urbja spļipatrona bez atslēgas
2. Spļipatronas pāreja

Izpūšanas balons

Papildpiederumi

Pēc cauruma izurbšanas ar izpūšanas balonu iztīriet putekļus no cauruma.

- **Att.23**

Putekļu piltuves komplekta lietošana

Papildpiederumi

Lietojot darbarīku, turiet putekļu piltuves komplektu pret griestiem.

- **Att.24**

IEVĒRĪBAI: Nelietojiet putekļu piltuves komplektu, urbjot metālā vai tamlīdzīgā materiālā. Tā kā metāla putekļi un tamlīdzīgi materiāli rada karstumu, putekļu piltuves komplektu var sabojāt.

IEVĒRĪBAI: Neuzstādiet un nenoņemiet putekļu piltuves komplektu, ja darbarīkā ir ievietots urbja uzgali. Tādējādi var sabojāt putekļu piltuves komplektu, un var rasties putekļu noplūde.

APKOPE

⚠UZMANĪBU: Pirms darbarīka pārbaudes vai apkopes vienmēr pārliecinieties, ka darbarīks ir izslēgts un akumulatora kasetne ir izņemta.

IEVĒRĪBAI: Nekad neizmantojiet gāzoliņu, benzīnu, atšķaidītāju, spirtu vai līdzīgus šķidrumus. Tas var radīt izbalēšanu, deformāciju vai plaisas.

Lai saglabātu izstrādājuma DROŠU un UZTICAMU darbību, remontdarbus, apkopi un regulēšanu uzticiet veikt tikai Makita pilnvarotam vai rūpnīcas apkopes centram, un vienmēr izmantojiet tikai Makita rezerves daļas.

PAPILDU PIEDERUMI

⚠UZMANĪBU: Šādi piederumi un papildierīces tiek ieteiktas lietošanai ar šajā rokasgrāmatā aprakstīto Makita darbarīku. Izmantojot citus piederumus vai papildierīces, var tikt radīta traumu gūšanas bīstamība. Piederumu vai papildierīci izmantojiet tikai paredzētajam mērķim.

Ja jums vajadzīga palīdzība vai precīzāka informācija par šiem piederumiem, vērsieties savā tuvākajā Makita apkopes centrā.

- Urbja uzgali ar karbīdu (SDS-Plus uzgali ar karbīdu)
- Kroņurbis
- Dimanta kroņurbis
- Spļipatronas pāreja
- Urbja spļipatrona bez atslēgas
- Uzgaļu smērviela
- Dzīļummērs
- Izpūšanas balons
- Putekļu piltuve
- Putekļu piltuves komplekts
- Roktura pamatnes komplekts
- Aizsargbrilles
- Pārnēsāšanas futrālis no plastmasas

PIEZĪME: Daži sarakstā norādītie izstrādājumi var būt iekļauti instrumenta komplektācijā kā standarta piederumi. Tie dažādās valstīs var būt atšķirīgi.

SPECIFIKACIJOS

Modelis:		HR1840	HR1841F
Pajėgumai	Betonas	18 mm	
	Šerdinis gražtas	35 mm	
	(Sausojo tipo) deimantinis šerdinis gražtas	65 mm	
	Plienas	13 mm	
	Medis	24 mm	
Be apkrovos		0–2 100 min ⁻¹	0 – 2 100 min ⁻¹
Smūgių per minutę		0–4 800 min ⁻¹	0 – 4 800 min ⁻¹
Bendrasis ilgis		285 mm	
Grynasis svoris		2,0 – 2,4 kg	2,0 – 2,5 kg
Saugos klasė		II/II	

- Atlikame tęsinius tyrimus ir nuolatos tobuliname savo gaminius, todėl čia pateikiamos specifikacijos gali būti keičiamos be įspėjimo.
- Skirtingose šalyse specifikacijos gali skirtis.
- Svoris gali priklausyti nuo priedo (-ų). Lengviausias ir sunkiausias deriniai pagal EPTA 2014 m. sausio mėn. procedūrą yra nurodyti lentelėje.

Numatytoji naudojimo paskirtis

Šis įrankis skirtas smūginiam ir paprastam plytų, betono ir akmens gręžimui.

Taip pat jis tinka nesmūginiam medienos, metalo, keramikos ir plastmasės gręžimui.

Elektros energijos tiekimas

Įrenginiui turi būti tiekiami tokios įtampos elektros energija, kaip nurodyta duomenų lentelėje; įrenginys veikia tik su vienfazė kintamąja srove. Jie yra dvigubai izoliuoti, todėl gali būti naudojami prijungus prie elektros lizdo be žemėnimo laido.

Triukšmas

Įprastas triukšmo A lygis, nustatytas pagal EN60745:

Modelis HR1840

Garso slėgio lygis (L_{pA}): 87 dB (A)

Garso galios lygis (L_{WA}): 98 dB (A)

Paklaida (K): 3 dB (A)

Modelis HR1841F

Garso slėgio lygis (L_{pA}): 87 dB (A)

Garso galios lygis (L_{WA}): 98 dB (A)

Paklaida (K): 3 dB (A)

ĮSPĖJIMAS: Dėvėkite ausų apsaugą.

Vibracija

Vibracijos bendroji vertė (triacio vektorius suma) nustatyta pagal EN60745 standartą:

Modelis HR1840

Darbo režimas: smūginis betono gręžimas

Vibracijos intensyvumas ($a_{h,HD}$): 10,0 m/s²

Paklaida (K): 1,5 m/s²

Darbo režimas: metalo gręžimas

Vibracijos emisija ($a_{h,D}$): 3,0 m/s²

Paklaida (K): 1,5 m/s²

Modelis HR1841F

Darbo režimas: smūginis betono gręžimas

Vibracijos intensyvumas ($a_{h,HD}$): 7,5 m/s²

Paklaida (K): 1,5 m/s²

Darbo režimas: metalo gręžimas

Vibracijos emisija ($a_{h,D}$): 3,0 m/s²

Paklaida (K): 1,5 m/s²

PASTABA: Paskelbtasis vibracijos emisijos dydis nustatytas pagal standartinį testavimo metodą ir jį galima naudoti vienam įrankiui palyginti su kitu.

PASTABA: Paskelbtasis vibracijos emisijos dydis taip pat gali būti naudojamas preliminariai įvertinti vibracijos poveikį.

ĮSPĖJIMAS: Faktiškai naudojant elektrinį įrankį, keliamos vibracijos dydis gali skirtis nuo paskelbtojo dydžio, priklausomai nuo būdų, kuriais yra naudojamas šis įrankis.

ĮSPĖJIMAS: Siekdami apsaugoti operatorių, būtinai įvertinkite saugos priemones, remdamiesi vibracijos poveikio įvertinimu esant faktinėms naudojimo sąlygoms (atsižvelgdami į visas darbo ciklo dalis, pavyzdžiui, ne tik kiek laiko įrankis veikia, bet ir kiek kartų jis yra išjungiamas bei kai jis veikia be apkrovų).

EB atitikties deklaracija

Tik Europos šalims

EB atitikties deklaracija yra pridedama kaip šio instrukcijų vadovo A priedas.

SAUGOS ĮSPĖJIMAI

Bendrieji įspėjimai dirbant elektriniais įrankiais

▲ ĮSPĖJIMAS: Perskaitykite visus saugos įspėjimus, instrukcijas, iliustracijas ir techninius duomenis, pateiktus kartu su šiuo elektriniu įrankiu. Nesilaikant visų toliau išvardytų instrukcijų galima patirti elektros smūgį, gali kilti gaisras ir (arba) galima sunkiai susižealoti.

Išsaugokite visus įspėjimus ir instrukcijas, kad galėtumėte jas peržiūrėti ateityje.

Terminas „elektrinis įrankis“ pateiktuose įspėjimuose reiškia į maitinimo tinklą jungiamą (laidinį) elektrinį įrankį arba akumulatoriaus maitinamą (belaidį) elektrinį įrankį.

ĮSPĖJIMAI DĖL SMŪGINIO PERFORATORIAUS SAUGOS

1. Naudokite klausos apsaugines priemones. Nuo triukšmo galima prarasti klausą.
2. Naudokite su įrankiu pridėtą išorinę rankeną (rankenas). Nesuvaldžius įrankio, galima susižeisti.
3. Atlikdami darbus, kurių metu pjovimo antgalis galėtų užkliudyti nematomą laidą arba savo paties laidą, laikykite elektrinius įrankius už izoliuotų paviršių. Pjovimo antgaliui prisilietus prie laido, kuriuo teka elektros srovė, neiizoliuotos metalinės elektrinio įrankio dalys gali sukelti elektros smūgį ir nutrenkti operatorių.
4. Užsidėkite kietą galvos apdangalą (apsauginį šalną), apsauginius akinius ir (arba) veido skydelį. Įprastiniai akiniai ar akiniai nuo saulės NĖRA apsauginiai akiniai. Taip pat prilygtinai rekomenduojama užsidėti kaukę, saugančią nuo dulkių, ir pirštines su storu pamušalu.
5. Prieš pradėdami dirbti įsitikinkite, kad grąžtas tinkamai įtvirtintas.
6. Įprastai naudojant įrankį, jis vibruoja. Varžtai gali lengvai atsiskirti, o tai gali tapti gedimo arba nelaimingo atsitikimo priežastimi. Prieš pradėdami dirbti atidžiai patikrinkite, ar varžtai gerai priveržti.
7. Šaltu oru, arba jei įrankiu nesinaudojote ilgą laiką, leiskite įrankiui šiek tiek išilti naudodami jį be apkrovos. Tada tepalas suminkštės. Tinkamai neįšildžius įrankio, bus sunku kalti.
8. Būtinai įsitikinkite, kad tvirtai stovite. Jei naudojate įrankį aukštai, įsitikinkite, ar apačioje nėra žmonių.
9. Laikykite įrankį tvirtai už abiejų rankenų.
10. Žiūrėkite, kad rankos būtų kuo toliau nuo judamųjų dalių.
11. Nepalikite veikiančio įrankio. Naudokite įrankį tik laikydami rankomis.
12. Dirbdami nenukreipkite veikiančio įrankio į žmones. Kalamasis grąžtas gali išlėkti ir ką nors sunkiai sužeisti.
13. Nelieskite grąžto, šalia esančių dalių arba ruošinio iškart po naudojimo; jie gali būti itin karšti ir nudeginti odą.

14. Kai kuriose medžiagose esama cheminių medžiagų, kurios gali būti nuodingos. Saugokitės, kad neįkvėptumėte dulkių ir nesiliestumėte oda. Laikykites medžiagų tiekėjo saugos duomenų.
15. Nelieskite maitinimo kištuko drėgnomis rankomis.

SAUGOKITE ŠIAS INSTRUKCIJAS.

▲ ĮSPĖJIMAS: NELEISKITE, kad patogumas ir gaminio pažinimas (įgyjamas pakartotinai naudojant) susilpnintų griežtą saugos taisyklių, taikytinų šiam gaminiui, laikymąsi. DĖL NETINKAMO NAUDOJIMO arba saugos taisyklių, kurios pateiktos šioje instrukcijoje, nesilaikymo galima rimtai susižeisti.

VEIKIMO APRAŠYMAS

▲ PERSPĖJIMAS: Prieš pradėdami reguliuoti arba tikrinti įrankio veikimą, visuomet būtinai išjunkite įrankį ir atjunkite jį nuo maitinimo tinklo.

Jungiklio veikimas

▲ PERSPĖJIMAS: Prieš jungdami įrenginį visada patikrinkite, ar svirtinis gaidukas gerai įsijungia, o atleistas grįžta į padėtį OFF (išjungta).

▲ PERSPĖJIMAS: Kai įrankis naudojamas ilgą laiko tarpą, operatoriaus patogumui jungiklį galima užfiksuoti į „ON“ (įjungta) padėtį. Būkite atsargūs, užfiksuodami įrankį į „ON“ (įjungta) padėtį ir tvirtai laikykite įrankio rankeną.

► Pav.1: 1. Gaidukas 2. Atlaisvinimo mygtukas

Jei norite paleisti įrankį, tiesiog patraukite jungiklio gaiduką. Stipriau spaudžiant jungiklio gaiduką, įrankio veikimo greitis didėja. Norėdami išjungti, atleiskite svirtinį gaiduką.

Kad įrenginys neišsijungtų, patraukite jungiklio gaiduką ir paspauskite fiksavimo mygtuką, paskui jungiklio gaiduką atleiskite. Norėdami sustabdyti įrankį, kai gaidukas užfiksuotas, paspauskite gaiduką iki galo ir tada jį atleiskite.

Priekinės lemputės uždegimas

HR1841F

► Pav.2: 1. Gaidukas 2. Lempūtė

▲ PERSPĖJIMAS: Nežiūrėkite tiesiai į šviesą arba šviesos šaltinį.

Jei norite įjungti lemputę, patraukite gaiduką. Norėdami ją išjungti, atleiskite gaiduką.

PASTABA: Nevalkite lemputės skiedikliu ar benzinu. Tokie tirpikliai gali ją sugadinti.

PASTABA: Purvą nuo lempos objektyvo nuvalykite sausu skudurėliu. Būkite atsargūs, kad nesubraižytumėte lempos objektyvo, nes pablogės apšvietimas.

Atbulinės eigos jungimas

▲ PERSPĖJIMAS: Prieš naudodami visuomet patikrinkite sukimosi kryptį.

PASTABA: Atbulinės eigos jungiklį naudokite tik įrankiui visiškai sustojus. Jei keisite sukimosi kryptį prieš įrankiui sustojant, galite sugadinti įrankį.

PASTABA: Keisdami sukimosi kryptį būtinai iki galo nustatykite atbulinės eigos jungiklį į padėtį ◀ (A pusė) arba ▶ (B pusė). Antraip, patraukus gaiduką, variklis gali nesisukti arba įrankis gali veikti netinkamai.

► **Pav.3:** 1. Atbulinės eigos svirtelė

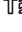
Šis įrankis turi atbulinės eigos svirtelę sukimosi kryptčiai keisti. Pastumkite atbulinės eigos svirtelę į padėtį ◀ (A pusė), kad suktysi pagal laikrodžio rodyklę (pirmyn), arba padėtį ▶ (B pusė), kad suktysi prieš laikrodžio rodyklę (atbulinė eiga).

Veikimo režimo pasirinkimas

PASTABA: Nesukite veikimo režimo keitimo rankenėlės, kai įrankis įjungtas. Galite sugadinti įrankį.

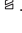
PASTABA: Norėdami išvengti greito režimo keitimo mechanizmo nusidėvėjimo, pakeitę režimą visada patikrinkite, ar tiksliai nustatėte veikimo režimo keitimo rankenėlę vienoje iš veikimo režimo padėčių.

Kalamasis gręžimas

Norėdami gręžti betoną, mūrą ir pan., pasukite veikimo režimo keitimo rankenėlę ties  simboliu. Naudokite karbidinį grąžto antgalį.

► **Pav.4:** 1. Veikimo režimo keitimo svirtelė

Tik gręžimas

Norėdami gręžti medį, metalą arba plastmasę, pasukite veikimo režimo keitimo rankenėlę ties simboliu . Naudokite spiralinį arba medžio grąžtą.

► **Pav.5:** 1. Veikimo režimo keitimo svirtelė

Sukimo momento ribotuvus

PASTABA: Suveikus sukimo momento ribotuvui, nedelsdami išjunkite įrankį. Šitaip apsaugosite įrankį ir jis nesusidėvės anksčiau laiko.

PASTABA: Tokie antgaliai, kaip pjūklai skylėms prapjauti, kurie gali būti lengvai sužnybti arba įstrigti skylėje, netinka naudoti su šiuo įrankiu. Jie netinka dėl to, kad jiems įstrigus, per dažnai įsijungs sukimo momento ribotuvus.

Sukimo momento ribotuvus suveiks pasiekus tam tikrą sukimo momento lygį. Variklis bus atjungtas nuo išves-ties veleno. Taip atsitikus, grąžtas liausis sukėsis.

SURINKIMAS

▲ PERSPĖJIMAS: Prieš ką nors darydami su įrankiu, visada patikrinkite, ar jis išjungtas, o laido kištukas ištrauktas iš elektros lizdo.

Šoninė rankena (papildoma rankena)

▲ PERSPĖJIMAS: Visada naudokitės šonine rankena, kad užtikrintumėte darbo saugą.

▲ PERSPĖJIMAS: Sumontavę arba reguliuodami šoninę rankeną patikrinkite, ar ji yra tvirtai pritvirtinta.

Sumontuokite šoninę rankeną taip, kad ant jos esantys grioveliai tilptų tarp įrankio vamzdžio išsikišimų. Pasukite rankeną pagal laikrodžio rodyklę ir užfiksuo-ki ją. Rankeną galima užfiksuoti, pakreipus norimu kampu.

► **Pav.6:** 1. Šoninis spaustuvas

Tepalas

Sutepkite įkištą grąžto galvutę nedideliu kiekiu tepalo (maždaug 0,5–1 g).

Taip sutepus galvutę, prietaisas veiks ilgiau ir geriau.

Grąžto įdėjimas ir išėmimas

Nuvalykite įkištą grąžto galvutę ir sutepkite prieš įdėdami grąžtą.

► **Pav.7:** 1. Grąžto galvutė 2. Tepalas

Įkiškite grąžtą į įrankį. Pasukite grąžtą ir stumkite, kol įsistatys.

Sumontavę grąžtą, visada patikrinkite, ar grąžtas saugiai laikosi, pabandydami jį ištraukti.

► **Pav.8:** 1. Grąžtas

Norėdami ištraukti grąžtą, atitraukite kumštelinio griebtuvo gaubtą iki galo žemyn ir ištraukite grąžtą.

► **Pav.9:** 1. Grąžtas 2. Kumštelinio griebtuvo gaubtas

Gylio ribotuvus

Gylio ribotuvą patogiu būdu naudoti gręžiant vienodo gylio skylę. Atlaisvinkite šoninę rankeną ir įdėkite gylio ribotuvą į skylę šoninėje rankenoje. Sureguliuokite gylio ribotuvą iki norimo gylio ir tvirtai priveržkite šoninę rankeną.

► **Pav.10:** 1. Skylutė 2. Gylio ribotuvus

PASTABA: Kai tvirtinate, užtikrinkite, kad gylio ribotuvas neliestų įrankio pagrindinio korpuso.

Dulkių rinktuvas (pasirenkamas priedas)

Dulkių rinktuvas skirtas tam, kad dulkės nekristų ant įrenginio ir jūsų, kai dirbate grąžtą išskelę virš galvos. Prie galvutės pritvirtinkite dulkių rinktuvą. Toliau nurodyti galvučių, prie kurių galima pritvirtinti dulkių rinktuvą, dydžiai.

Modelis	Galvutės skersmuo
Dulkių rinktuvas 5	6–14,5 mm
Dulkių rinktuvas 9	12–16 mm

► **Pav.11:** 1. Dulkių rinktuvas

Dulkių rinktuvo komplektas (pasirenkamas priedas)

PASTABA: Jei dulkių rinktuvo komplektą įsigijote kaip papildomą priedą, įprastinės šoninės rankenos negalima naudoti su į įrankį įdėtu dulkių rinktuvo komplektu. Kai į įrankį įdėtas dulkių rinktuvo komplektas, nuimkite rankeną nuo standartinės šoninės rankenos, tada ją pritvirtinkite prie papildomo pagrindinės rankenos komplekto.

► **Pav.12:** 1. Varžtas 2. Rankena 3. Papildomas pagrindinės rankenos komplektas

PASTABA: Nenaudokite dulkių rinktuvo, gręždami metalą arba panašią medžiagą. Dėl mažų metalo dulkių ar kitų dalelių išskiriamo karščio dulkių rinktuvas gali būti sugadintas. Nedėkite ir neišimkite dulkių rinktuvo komplekto, kai grąžtas yra įdėtas į įrankį. Dulkių rinktuvo komplektas gali būti sugadintas ir dulksės gali pasklisti.

Prieš įdėdami dulkių rinktuvo komplektą, išimkite grąžtą iš įrankio, jeigu jis įdėtas.

Sumontuokite skyriklį taip, kad ant jo esantys grioveliai tilptų tarp įrankio vamzdžio išsikišimų, jį praplėtus.

Būkite atsargūs, kad iš skyriklio plyšio neiššoktų spyruoklė.

► **Pav.13:** 1. Skyriklis 2. Spyruoklė

► **Pav.14**

Sumontuokite šoninę rankeną (papildomas pagrindinės rankenos komplektas ir nuimta įprastinė šoninė rankena) taip, kad ant jos esantys grioveliai tilptų tarp skyriklio išsikišimų. Pasukite rankeną pagal laikrodžio rodyklę ir užfiksuokite ją.

► **Pav.15:** 1. Šoninė rankena

Įdėkite dulkių rinktuvo komplektą taip, kad dulkių rinktuvo žiaunos tilptų į skyriklio plyšius.

► **Pav.16:** 1. Dulkių rinktuvas 2. Kumštelis

PASTABA: Jeigu prie dulkių rinktuvo komplekto prijungsite dulkių siurbį, prieš jungdami, nuimkite dulkių dangtelį.

► **Pav.17:** 1. Dulkių dangtelis

Norėdami ištraukti grąžtą, atitraukite kumštelinio griebtuvo gaubtą iki galo žemyn ir ištraukite grąžtą.

► **Pav.18:** 1. Antgalis 2. Kumštelinio griebtuvo gaubtas

Norėdami išimti dulkių rinktuvo komplektą, prilaikykite dulkių rinktuvo pagrindą ir ištraukite jį.

► **Pav.19**

PASTABA: Jeigu nusiima dulkių rinktuvo dangtelis, uždėkite jį taip, kad su spaudiniu esanti pusė būtų viršuje, o dangtelio grioveliai tilptų į priedo vidinį kraštą.

► **Pav.20**

NAUDOJIMAS


▲ PERSPĖJIMAS: Darbo metu visada tvirtai laikykite įrankį už šoninės (papildoma rankena) ir pagrindinės rankenų.

▲ PERSPĖJIMAS: Prieš darbą visada įtvirtinkite ruošinį.

► **Pav.21**

Smūginis gręžimas

▲ PERSPĖJIMAS: Įrankį / grąžto galvutę veikia didelė ir staigi sukamoji jėga, kai gręžiama skylė ir ji prisipildo nuolaužų ir dalelių arba kai įrankis / grąžto galvutė atsitrenkia į betone esančią armatūrą. **Darbo metu visada tvirtai laikykite įrankį už šoninės (papildoma rankena) ir pagrindinės rankenų.** Kitaip galite prarasti įrankio valdymą ir susižeisti.

Nustatykite veikimo režimo keitimo rankenėlę ties  simboliu.

Nustatykite grąžtą į norimą vietą ties skylė ir paspauskite gaiduką. Nespauskite įrankio jėga. Geriausių rezultatų pasiekama spaudžiant nestipriai. Laikykite įrankį šioje padėtyje ir saugokite, kad nenuslystų nuo skylės.

Nespauskite stipriau, kai skylė prisipildo nuolaužų ir dalelių. Vietoj to leiskite įrankiui šiek tiek paveikti tuščiąją eiga, tada iš dalies ištraukite grąžto galvutę iš skylės. Pakartojus tai keletą kartų, skylė bus išvalyta ir bus galima toliau gręžti.

PASTABA: Kai įrankis veikia be apkrovos, besisukantis grąžtas gali išscentruoti. Darbo metu įrankis automatiškai pats susicentruoja. Tai neįtakoja gręžimo tikslumo.

Gręžimas į medį arba metalą

▲ PERSPĖJIMAS: Laikykite įrankį tvirtai ir atsargiai žiūrėkite, kada grąžto galvutė pradės gręžti ruošinį. Įrankį / grąžto galvutę veikia didelė sukamoji jėga, kai gręžiama skylė.

▲ PERSPĖJIMAS: Įstrigusią grąžto galvutę galima ištraukti tiesiog atbulinės eigos jungikliį nustatant į atbulinės eigos padėtį. Tačiau įrankis gali grubiai judėti atgal, jei tvirtai nelaikysite įrankio.


▲ PERSPĖJIMAS: Visada pritvirtinkite apdirbamus gaminius spaustuvuose arba panašiam prilaikymo prietaisui.

PASTABA: Jeigu ant įrenginio sumontuotas grąžto kumštelinis griebtuvas, nenaudokite „gręžimo ir kalimo“ režimo. Galite sugadinti grąžto kumštelinį griebtuvą.

Be to, apverčiant įrankį, grąžto griebtuvas nukris.

PASTABA: Per didelės įrankio spaudimas nepageitins gręžimo. Iš tikrųjų dėl tokio spaudimo gali būti pažeista grąžto galvutė, pablogėti įrankio darbas ir sutrumpėti jo eksploatacavimo trukmė.

Nustatykite veikimo režimo keitimo rankenėlę

ties  simboliu.

Privertinkite griebtuvo suderintuvą prie berakčio grąžto kumštelinio griebtuvo, kuriame galima įsukti 1/2"-20 dydžio varžta, tada juos sumontuokite įrankyje. Jį montuodami, žr. skyrių „Grąžto įdėjimas ir išėmimas“.

- **Pav.22:** 1. Berakčio grąžto kumštelinis griebtuvas
2. Griebtuvo suderintuvas

Išpūtimo kriaušė

Pasirenkamasis priedas

Išgręžę skylę naudokite išpūtimo kriaušę dulkėms iš skylės išvalyti.

- **Pav.23**

Dulkių rinktuvo komplekto naudojimas

Pasirenkamasis priedas

Kai naudojate įrankį, privertinkite dulkių rinktuvo komplektą prie lubų.

- **Pav.24**

PASTABA: Nenaudokite dulkių rinktuvo komplekto, gręždami metalą arba panašią medžiagą. Dėl mažų metalo dulkių ar kitų dalelių išskiriamo karščio dulkių rinktuvo komplektas gali būti sugadintas.

PASTABA: Nedėkite ir neišimkite dulkių rinktuvo komplekto, kai grąžtas yra įdėtas į įrankį. Dulkių rinktuvo komplektas gali būti sugadintas, ir dulkės gali pasklisti.

TECHNINĖ PRIEŽIŪRA

▲PERSPĖJIMAS: Visuomet įsitikinkite, ar įrankis yra išjungtas ir akumulatoriaus kasetė yra nuimta prieš atlikdami apžiūrą ir priežiūrą.

PASTABA: Niekada nenaudokite gazolino, benzino, tirpiklio, spirito arba panašių medžiagų. Gali atsirasti išblukimų, deformacijų arba įtrūkimų.

Kad gaminys būtų SAUGUS ir PATIKIMAS, jį taisyti, apžiūrėti ar vykdyti bet kokią kitą priežiūrą ar derinimą turi įgaliotasis kompanijos „Makita“ techninės priežiūros centras; reikia naudoti tik kompanijos „Makita“ pagamintas atsargines dalis.

PASIRENKAMI PRIEDAI

▲PERSPĖJIMAS: Šiuos papildomus priedus arba įtaisus rekomenduojama naudoti su šioje instrukcijoje nurodytu „Makita“ bendrovės įrankiu. Naudojant bet kokius kitus papildomus priedus arba įtaisus, gali kilti pavojus sužeisti žmones. Naudokite tik nurodytam tikslui skirtus papildomus priedus arba įtaisus.

Jeigu norite daugiau sužinoti apie tuos priedus, kreipkitės į artimiausią „Makita“ techninės priežiūros centrą.

- Karbidinis grąžto antgalis („SDS-Plus“ grąžtai karbidiniais galiukais)
- Šerdinis grąžtas
- Deimantinis šerdinis grąžtas
- Griebtuvo suderintuvas
- Berakčio grąžto kumštelinis griebtuvas
- Grąžto antgalio tepalas
- Gylio ribotuvas
- Išpūtimo kriaušė
- Dulkių rinktuvas
- Dulkių rinktuvo komplektas
- Pagrindinės rankenos komplektas
- Apsauginiai akiniai
- Plastikinis nešiojimo dėklas

PASTABA: Kai kurie sąraše esantys priedai gali būti pateikti įrankio pakuotėje kaip standartiniai priedai. Jie įvairiose šalyse gali skirtis.

TEHNILISED ANDMED

Mudel:		HR1840	HR1841F
Võimekus	Betoon	18 mm	
	Südamikupuur	35 mm	
	Teemant-südamikupuur (kuiva tüüpi)	65 mm	
	Teras	13 mm	
	Puit	24 mm	
Koormuseta kiirus	0 - 2 100 min ⁻¹	0-2 100 min ⁻¹	
Löökide arv minutis	0 - 4 800 min ⁻¹	0-4 800 min ⁻¹	
Üldpikkus	285 mm		
Netokaal	2,0-2,4 kg	2,0-2,5 kg	
Ohutusklass	II/III		

- Meie pideva uuringu- ja arendusprogrammi tõttu võidakse tehnilisi andmeid muuta ilma sellest ette teatamata.
- Tehnilised andmed võivad riigiti erineda.
- Kaal võib erineda olenevalt lisaseadist(t)est. Kergeim ja raskeim kombinatsioon EPTA-protseduuri 01/2014 kohaselt on toodud tabelis.

Kavandatud kasutus

See tööriist on mõeldud telliste, betooni ja kivi löökpuurimiseks.

Lisaks sobib see puidu, metalli, keraamika ja plasti puurimiseks ilma löökmehanismi kasutamata.

Vooluvarustus

Seadet võib ühendada ainult andmesildil näidatud pingega vooluvõrku ning seda saab kasutada ainult ühefaasilisel vahelduvvoolutoitel. Seadmel on kahe-kordne isolatsioon ning seega võib seda kasutada ka ilma maandusjuhtmeta pistikupessa ühendatult.

Müra

Tüüpiline A-korrigeeritud müratase, määratud standardi EN60745 kohaselt:

Mudel HR1840

Helirõhutase (L_{pA}): 87 dB (A)

Helivõimsuse tase (L_{WA}): 98 dB (A)

Määramatus (K): 3 dB (A)

Mudel HR1841F

Helirõhutase (L_{pA}): 87 dB (A)

Helivõimsuse tase (L_{WA}): 98 dB (A)

Määramatus (K): 3 dB (A)

⚠ HOIATUS: Kasutage kõrvakaitsmeid.

Vibratsioon

Vibratsiooni koguväärtus (kolmeteljeliste vektorite summa) määratud standardi EN60745 kohaselt:

Mudel HR1840

Töörežiim: betooni löökpuurimine
Vibratsiooniheide ($a_{h,HD}$): 10,0 m/s²
Määramatus (K): 1,5 m/s²

Töörežiim: metalli puurimine
Vibratsiooniheide ($a_{h,HD}$): 3,0 m/s²
Määramatus (K): 1,5 m/s²

Mudel HR1841F

Töörežiim: betooni löökpuurimine
Vibratsiooniheide ($a_{h,HD}$): 7,5 m/s²
Määramatus (K): 1,5 m/s²

Töörežiim: metalli puurimine
Vibratsiooniheide ($a_{h,HD}$): 3,0 m/s²
Määramatus (K): 1,5 m/s²

MÄRKUS: Deklareeritud vibratsiooniheite väärtus on mõeldud kooskõlas standardse testimismeetodiga ning seda võib kasutada ühe seadme võrdlemiseks teisega.

MÄRKUS: Deklareeritud vibratsiooniheite väärtust võib kasutada ka mürataseme esmaseks hindamiseks.

⚠ HOIATUS: Vibratsioonitase võib elektritööriista tegelikkuses kasutamise ajal erineda deklareeritud väärtusest olenevalt tööriista kasutamise viisidest.

⚠ HOIATUS: Rakendage operaatori kaitsmiseks kindlasti piisavaid ohutusabinõusid, mis põhinevad hinnangulisel müratasemel tegelikus tööolukorras (võttes arvesse tööperioodi kõiki osasid, nagu näiteks korrad, kui seade lülitatakse välja ja seade töötab tühikäigul, lisaks tööajale).

EÜ vastavusdeklaratsioon

Ainult Euroopa riikide puhul

EÜ vastavusdeklaratsioon sisaldub käesoleva juhendi Lisas A.

OHUTUSHOIATUSED

Üldised elektritööriistade ohutushoiatused

⚠HOIATUS: Lugege läbi kõik selle elektritööriistaga kaasas olevad ohutushoiatused, juhised, joonised ja tehnilised andmed. Järgnevate juhiste eiramine võib põhjustada elektrilöögi, süttimise ja/või raske kehavigastuse.

Hoidke edaspidisteks viideteks alles kõik hoiatused ja juhtnöörid.

Hoiatustes kasutatud termini „elektritööriist“ all peetakse silmas elektriga töötavaid (juhtmega) elektritööriistu või akuga töötavaid (juhtmata) elektritööriistu.

PÖÖRLEVALE VASARALE KOHALDUVAD OHUTUSHOIATUSED

1. **Kasutage kuulmiskaitsmeid.** Kokkupuude müraga võib kahjustada kuulmist.
2. **Kasutage lisakäepidet/pidemeid, kui need on tööriistadega kaasas.** Kontrolli puudumine võib põhjustada inimestele vigastusi.
3. **Hoidke elektritööriistu isoleeritud haardepindadest, kui töötate kohas, kus löiketera võib sattuda kokkupuutesse varjatud juhtmete ja seadme enda toitejuhtmega.** Voolu all oleva juhtmega kokkupuutesse sattunud löiketera võib pingestada elektritööriista metallosi ning põhjustada kasutajale elektrilöögi.
4. **Kasutage kaitsekiivrit, kaitseprille ja/või näokaitset.** Tavalised prillid või päikesepriidid EI OLE kaitseprillid. Äärmiselt soovitatav on kasutada ka tolmu maski ja paksu polstriga kindaid.
5. **Enne tööriista kasutamist kontrollige, kas otsak on oma kohale fikseeritud.**
6. **Tööriista tavapärase kasutamisega kaasneb vibratsioon.** Kruvid võivad hõlpsalt lahti tulla, millega võib kaasneda tööriista purunemine või tööõnnetus. Enne tööriista kasutamist kontrollige hoolikalt kruvide pingutatust.
7. **Külma ilma korral või siis, kui tööriista ei ole pikemat aega kasutatud, laske tööriistal mõnda aega soojeneda, kaitades seda ilma koormuseta.** See tõstab määrdõli temperatuuri. Ilma nõuetekohase soojenemiseta on löökrežiimi kasutamine komplitseeritud.
8. **Veenduge alati, et teie jalgealune oleks kindel.** Kui töötate kõrguses, siis jälgige, et teist allpool ei viibiks inimesi.
9. **Hoidke tööriista kindlalt kahe käega.**
10. **Hoidke käed liikuvatest osadest eemal.**
11. **Ärge jätke tööriista käima.** Käivitage tööriist ainult siis, kui hoiate seda käes.
12. **Tööriista kasutamisel ärge suunake seda läheduses viibijate poole.** Otsak võib välja lennata ja põhjustada raskeid vigastusi.
13. **Ärge puudutage vahetult pärast tööriista kasutamist puuriotsakut, otsaku läheduses asuvat osi ega töödeldavat detaali, sest need võivad olla väga kuumad ja nahka põletada.**

14. **Mõned materjalid võivad sisaldada mürgiseid aineid.** Võtke meetmed tolmude sissehingamise ja nahaga kokkupuute vältimiseks. Järgige materjali tarnija ohusteatavat.
15. **Ärge puudutage märgade kättega toitepistikut.**

HOIDKE JUHEND ALLES.

⚠HOIATUS: ÄRGE UNUSTAGE järgida toote ohutusnõudeid mugavuse või toote (korduskasutamise saavutatud) hea tundmise tõttu. **VALE KASUTUS** või kasutusjuhendi ohutuseeskirjade eiramine võib põhjustada tervisekahjustusi.

FUNKTSIONAALNE KIRJELDUS

⚠ETTEVAATUST: Kandke alati hoolt selle eest, et tööriist oleks enne reguleerimist ja kontrollimist välja lülitatud ja vooluvõrgust lahti ühendatud.

Lüliti funktsioneerimine

⚠ETTEVAATUST: Kontrollige alati enne tööriista vooluvõrku ühendamist, kas lüliti päästik funktsioneerib nõuete kohaselt ja liigub lahtilaskmisel tagasi väljalülitatud asendisse.

⚠ETTEVAATUST: Pikemaajalisel kasutamisel saab operatori mugavuse huvides lukustada lüliti sisse lülitatud asendisse. Tööriista lukustamisel sisse lülitatud asendisse olge ettevaatlik ja hoidke tööriista kindlas haardes.

► **Joon.1:** 1. Lüliti päästik 2. Lahtilukustusnupp

Tööriista tööle panemiseks on vaja lihtsalt lüliti päästikut vajutada. Tööriista kiirus kasvab siis, kui suurendate survet lüliti päästikule. Vabastage lüliti päästik tööriista seiskamiseks.

Katkestamatuks töötamiseks vajutage lüliti päästikut, lükake lukustusnupp sisse ja seejärel vabastage lüliti päästik. Lukustatud tööriista seiskamiseks tõmmake lüliti päästik lõpuni ning seejärel vabastage see.

Eesmise lambi süütamine

HR1841F

► **Joon.2:** 1. Lüliti päästik 2. Lamp

⚠ETTEVAATUST: Ärge vaadake otse valgusse ega valgusallikat.

Lambi sisselülitamiseks vajutage lüliti päästikut. Seiskamiseks vabastage lüliti päästik.

TÄHELEPANU: Ärge kasutage lambi puhastamiseks lahustit ega bensiini. Sellised lahustid võivad seda kahjustada.

MÄRKUS: Pühkige lamp kuiva lapiga puhtaks. Olge seda tehes ettevaatlik, et lambi läätse mitte kriimustada, sest muidu võib valgustus väheneda.

Suunamuutmise lüliti töötamisviis

⚠ETTEVAATUST: Enne töö alustamist kontrollige alati pöörlemise suunda.

TÄHELEPANU: Kasutage suunamuutmislülitit alles pärast tööriista täielikku seiskumist. Enne tööriista seiskumist suuna muutmine võib tööriista kahjustada.

TÄHELEPANU: Pöörlemise suunda muutes veenduge, et seaksite suunamuutmise lüliti hoova asendisse ◁ (külj A) või ▷ (külj B). Muidu ei pruugi mootor lüliti päästiku tõmbamisel pöörelda või tööriist korralikult töötada.

► **Joon.3:** 1. Suunamuutmise lüliti hoob


Sellel tööriistal on suunamuutmise lüliti, millega saab muuta pöörlemise suunda. Viige suunamuutmise lüliti hoob päripäeva pöörlemiseks asendisse ◁ (A-külj) või vastupäeva pöörlemiseks asendisse ▷ (B-külj).

Töörežiimi valimine

TÄHELEPANU: Ärge pöörake töörežiimi muutmise nuppu siis, kui tööriist töötab. Selle juhise eiramisel kaasneks tööriista kahjustumine.

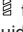
TÄHELEPANU: Selleks, et vältida režiimi muutmise mehhanismi kiiret kulumist, veenduge, et töörežiimi muutmise nupp paikneks alati korralikult ühes töörežiimi positsioonidest.

Pöörlemine koos haamrifunktsiooniga

Betooni, müüritise või muu materjali puurimiseks keerake töörežiimi muutmise nupp sümboliga  tähistatud asendisse. Kasutage karbiidotsaga puuri.

► **Joon.4:** 1. Töörežiimi muutmise nupp

Ainult pöörlemisfunktsioon

Puidu, metalli või plastmaterjalide puurimiseks keerake töörežiimi muutmise nupp sümboliga  tähistatud asendisse. Kasutage keerdpuuri või puidupuuri otsakut.

► **Joon.5:** 1. Töörežiimi muutmise nupp

Kaitsesidur

TÄHELEPANU: Kui kaitsesidur rakendub, lülitage tööriist kohe välja. See aitab vältida tööriista enneaegset kulumist.

TÄHELEPANU: Puuriotsakud (näiteks rõngaspuur), mis võivad pitsuda või avas hõlpsasti kinni jääda, ei ole selle tööriista jaoks sobivad. Sellised otsakud põhjustavad kaitsesiduri liiga sagedast rakendumist.

Kaitsesidur rakendub teatava pöördemomendi taseme saavutamisel. Mootor lahutatakse väljundvõllist. Sellisel juhul puuriotsaku pöörlemine seiskub.

KOKKUPANEK

⚠ETTEVAATUST: Enne tööriistal mingite tööde tegemist kandke alati hoolt selle eest, et see oleks välja lülitatud ja vooluvõrgust lahti ühendatud.

Küljkäepide (abipide)

⚠ETTEVAATUST: Tööohutuse tagamiseks kasutage alati küljkäepidet.

⚠ETTEVAATUST: Kontrollige alati pärast küljkäepideme paigaldamist või reguleerimist, kas küljkäepide on korralikult fikseeritud.

Paigaldage küljkäepide selliselt, et selle käepideme-poolsed sooned sobituksid tööriista trumli väljalatuvate osadega. Pöörake käepidet kinnitamiseks päripäeva. Käepideme saab fikseerida soovitud nurga alla.

► **Joon.6:** 1. Küljkäepide

Määrimine

Katke puuri varrepoolne osa vähese määrideõli kogusega (ligikaudu 0,5–1 g). Padruni määrimine aitab tagada sujuvat talitlust ja pikendab kasutusiga.

Puuri paigaldamine või eemaldamine

Puhastage puuri varrepoolne osa ja kandke enne puuri paigaldamist sellele määrideõli.

► **Joon.7:** 1. Varrepoolne ots 2. Määrimine

Sisestage puur tööriista. Keerake puuri ja suruge seda sisse, kuni see fikseerub.

Pärast puuri paigaldamist püüdke seda alati välja tõmmata, et kontrollida, kas puur on korralikult oma kohale fikseeritud.

► **Joon.8:** 1. Puur

Puuri eemaldamiseks tõmmake padruni kate lõpuni alla ja tõmmake puur välja.

► **Joon.9:** 1. Puur 2. Padruni kate

Sügavuse piiraja

Sügavuse piiraja on mugav abivahend ühesuguse sügavusega aukude puurimiseks. Lõvendage küljkäepidet ja paigaldage sügavuse piiraja küljkäepidemes olevasse avasse. Reguleerige sügavuse piiraja soovitud sügavusele ja kinnitage küljkäepide tugevalt.

► **Joon.10:** 1. Ava 2. Sügavuse piiraja

MÄRKUS: Veenduge, et sügavuse piiraja ei puudutaks tööriista kinnitamise ajal selle põhiosa.

Tolmutops (lisatarvik)

Ülespoole suunatud puurimisel kasutage tolmutopsi, et vältida tolmu langemist tööriistale ja kasutajale. Kinnitage tolmutops joonisel näidatud viisil otsaku külge. Tolmutopsi saab kinnitada järgmise suurusega otsakutele.

Mudel	Puuri läbimõõt
Tolmutops 5	6 mm - 14,5 mm
Tolmutops 9	12 mm - 16 mm

► **Joon.11:** 1. Tolmutops

Tolmutopsi komplekt (lisatarvik)

TÄHELEPANU: Kui ostate valikulise lisatarvikuna tolmutopsi komplekti ja paigaldate selle tööriistale, ei ole standardne külgkäepide kasutatav. Kui tolmutopsi komplekt paigaldatakse tööriistale, eemaldage käepide standardsest külgkäepidemest ja seejärel kinnitage see valikulise käepideme alusekomplekti külge.

► **Joon.12:** 1. Polt 2. Käepide 3. Valikuline käepideme alusekomplekt

TÄHELEPANU: Ärge kasutage tolmutopsi komplekti metalli jms materjali puurimisel. See võib peene metalltolmu või muu sarnase poolt tekkinud kuumuse mõjul tolmutopsi komplekti kahjustada. Ärge paigaldage ega eemaldage tolmutopsi komplekti sel ajal, kui puur on tööriista küljes. See võib kahjustada tolmutopsi komplekti ja põhjustada tolmu lekkimist.

Enne tolmutopsi komplekti paigaldamist eemaldage tööriista küljest otsak.

Paigaldage vahepuks selliselt, et selle sooned sobituskid tööriista trumli väljaulatuvate osadega, samal ajal seda laiendades. Jälgige, et vedru ei tuleks vahepuksi pilust välja.

► **Joon.13:** 1. Vahepuks 2. Vedru

► **Joon.14**

Paigaldage külgkäepide (valikulise käepideme alusekomplekt ja standardsest käepidemelt eemaldatud käepide) nii, et käepidemel olev soon sobituks vahepuksil oleva eendiga. Pöörake käepidet kinnitamiseks päripäeva.

► **Joon.15:** 1. Külgkäepide

Paigaldage tolmutopsi komplekt selliselt, et tolmutopsi haaratsid sobituksid vahepuksi piludesse.

► **Joon.16:** 1. Tolmutops 2. Haarats

MÄRKUS: Kui ühendate tolmuimeja tolmutopsi komplektiga, eemaldage enne selle ühendamist tolmutork.

► **Joon.17:** 1. Tolmutork

Puuri eemaldamiseks tõmmake padruni kate lõpuni alla ja tõmmake puur välja.

► **Joon.18:** 1. Otsak 2. Padruni kate

Tolmutopsi komplekti eemaldamiseks hoidke tolmutopsi alumisest osast kinni ja tõmmake see välja.

► **Joon.19**

MÄRKUS: Kui kork tuleb tolmutopsi küljest lahti, kinnitage see, trükitud pool ülespoole suunatud, nii et korgil olev soon sobituks lisaseadme keskosa sisse.

► **Joon.20**

TÖÖRIISTA KASUTAMINE


⚠️ ETTEVAATUST: Kasutage alati külgkäepidet (abikäepide) ning hoidke tööriista töö ajal kindlalt nii külgkäepidemest kui ka lülitiga käepidemest.

⚠️ ETTEVAATUST: Kontrollige alati enne kasutamist, kas töödeldav detail on nõuetekohaselt fikseeritud.

► **Joon.21**

Löökpuurimise režiim

⚠️ ETTEVAATUST: Materjali läbistamisel rakendub tööriistale/puuriotsakule väga suur ja järsk väandajõud, kui auk ummistub laastude ja osakestega või kui tabatakse betooni sarrust. **Kasutage alati külgkäepidet (abikäepide) ning hoidke tööriista töö ajal kindlalt nii külgkäepidemest kui ka lülitiga käepidemest.** Muidu võib tagajärjeks olla kontrolli kaotamine tööriista üle ja raske kehavigastus.

Keerake töörežiimi muutmise nupp sümboliga  tähis-
tatud asendisse.

Pange puuriotsak augu puurimiseks soovitud asukohta ja tõmmake seejärel lüliti päästikut. Ärge rakendage tööriista kasutamisel jõudu. Parimad tulemused annab kerge surve rakendamine. Hoidke tööriista õiges asendis ja vältige selle august väljalibisemist.

Ärge rakendage lisasurvet, kui laastud või osakesed ummistavad augu. Käitage selle asemel tööriista tühikäigul ja eemaldage seejärel puuriotsak osaliselt august. Selle toimingu kordamine aitab auku tühjendada, et saaksite jätkata tavapärase puurimisega.

MÄRKUS: Tööriista koormuseta kasutamisel võib puuriotsak pöörelda ekstsentriliselt. Tööriist tsentree-
rub käitamisel automaatselt. See ei mõjuta puurimise
täpsust.

Puidu või metalli puurimine


⚠️ ETTEVAATUST: Hoidke tööriista kindlalt ning olge tähelepanelik, kui puuriotsak hakkab puuritava materjalist läbi tungima. Materjali läbistamisel rakendub tööriistale/puuriotsakule väga suur jõud.

⚠️ ETTEVAATUST: Kinnikiilunud puuriotsaku saab lihtsalt vabastada, kui muudate puuri pöörlemissuuna vastupidiseks. Kui tööriista ei hita kindlalt, võib see ootamatult tagasi viskuda.

⚠️ ETTEVAATUST: Kinnitage töödeldavad esemed alati kruustangide või mõne sarnase kinnitusvahendiga.

TÄHELEPANU: Ärge kunagi kasutage pöörlemisfunktsiooni koos haamrifunktsiooniga, kui tööriistale on paigaldatud puuripadrün. Selle juhise eiramisel kaasneks puuripadrüni kahjustumine. Samuti tuleks tööriista pöörlemisel puuripadrün tööriista küljest lahti.

TÄHELEPANU: Liiga suur surve seadmele ei kiirenda puurimist. Liigne surve hoopis kahjustab puuriotsaku tippu, vähendab seadme efektiivsust ja lühendab seadme tööiga.

Seadke töörežiimi muutmise nupp sümboliga  tähis-
tatud asendisse.

Kinnita padrüniadapter võtmeta puuripadrüni (millele saab kinnitada 1/2"-20 suuruse kruvi) külge ja seejärel paigaldage need tööriista külge. Paigaldamise kohta vadake teavet jaotises „Puuri paigaldamine või eemaldamine”.

► **Joon.22:** 1. Võtmeta puuripadrün 2. Padrüniadapter

Läbipölenud pirn

Lisatarvik

Kui auk on valmis puuritud, kasutage läbipölenud pirni, et auku tolmut puhastada.

► **Joon.23**

Tolmutopsi komplekti kasutamine

Lisatarvik

Seadke tolmutopsi komplekt tööriista kasutamise ajaks vastu lage.

► **Joon.24**

TÄHELEPANU: Ärge kasutage tolmutopsi komplekti metalli või muu sarnase materjali puurimisel. See võib peene metalltolmu või muu sarnase poolt tekitatud kuumuse mõjul tolmutopsi komplekti kahjustada.

TÄHELEPANU: Ärge paigaldage ega eemaldage tolmutopsi komplekti sel ajal, kui puur on tööriista küljes. See võib kahjustada tolmutopsi komplekti ja põhjustada tolmu lekkimist.

HOOLDUS

⚠ETTEVAATUST: Enne kontroll- või hooldustoimingute tegemist kandke alati hoolt selle eest, et tööriist oleks välja lülitatud ja akukassett korpuse küljest eemaldatud.

TÄHELEPANU: Ärge kunagi kasutage bensiini, vedeldit, alkoholi ega midagi muud sarnast. Selle tulemuseks võib olla luitumine, deformatsioon või pragunemine.

Toote OHUTUSE ja TÖÖKINDLUSE tagamiseks tuleb vajalikud remonttööd ning muud hooldus- ja reguleerimistööd lasta teha Makita volitatud teeninduskeskustes või tehase teeninduskeskustes. Alati tuleb kasutada Makita varuosi.

VALIKULISED TARVIKUD

⚠ETTEVAATUST: Neid tarvikuid ja lisaseadiseid on soovitatav kasutada koos Makita tööriistaga, mille kasutamist selles kasutusjuhendis kirjeldatakse. Muude tarvikute ja lisaseadiste kasutamisega kaasneb vigastada saamise oht. Kasutage tarvikuid ja lisaseadiseid ainult otstarbekohaselt.

Saate vajaduse korral kohalikust Makita teeninduskeskusest lisateavet nende tarvikute kohta.

- Karbiidist otsaga puuriotsak (SDS-Plusi karbiidot-sakuga puurid)
- Südamikupuur
- Teemant-südamikupuur
- Padrüniadapter
- Võtmeta puuripadrün
- Puurimääre
- Sügavuse piiraja
- Läbipölenud pirn
- Tolmutops
- Tolmutopsi komplekt
- Käepideme alusekomplekt
- Kaitseprillid
- Plastkohver

MÄRKUS: Mõned nimekirjas loetletud tarvikud võivad kuuluda standardvarustusse ning need on lisatud tööriista pakendisse. Need võivad riigiti erineda.

ТЕХНИЧЕСКИЕ ХАРАКТЕРИСТИКИ

Модель:		HR1840	HR1841F
Диаметр	Бетон	18 мм	
	Колонковое долото	35 мм	
	Колонковое алмазное долото (сухого типа)	65 мм	
	Сталь	13 мм	
	Дерево	24 мм	
Число оборотов без нагрузки		0 - 2 100 мин ⁻¹	
Ударов в минуту		0 - 4 800 мин ⁻¹	
Общая длина		285 мм	
Масса нетто		2,0 - 2,4 кг	2,0 - 2,5 кг
Класс безопасности		□/II	

- Благодаря нашей постоянно действующей программе исследований и разработок указанные здесь технические характеристики могут быть изменены без предварительного уведомления.
- Технические характеристики могут различаться в зависимости от страны.
- Масса может отличаться в зависимости от дополнительного оборудования. В таблице представлены комбинации с наибольшей и наименьшей массой в соответствии с процедурой EPTA 01/2014.

Назначение

Инструмент предназначен для ударного и обычного сверления кирпича, бетона и камня. Он также подходит для безударного сверления дерева, металла, керамики и пластмассы.

Источник питания

Данный инструмент должен подключаться к источнику питания с напряжением, соответствующим напряжению, указанному на идентификационной пластине, и может работать только от однофазного источника переменного тока. Он имеет двойную изоляцию и поэтому может подключаться к розеткам без заземления.

Шум

Типичный уровень взвешенного звукового давления (A), измеренный в соответствии с EN60745:

Модель HR1840

Уровень звукового давления (L_{pA}): 87 дБ (A)
 Уровень звуковой мощности (L_{WA}): 98 дБ (A)
 Погрешность (K): 3 дБ (A)

Модель HR1841F

Уровень звукового давления (L_{pA}): 87 дБ (A)
 Уровень звуковой мощности (L_{WA}): 98 дБ (A)
 Погрешность (K): 3 дБ (A)

⚠ ОСТОРОЖНО: Используйте средства защиты слуха.

Вибрация

Суммарное значение вибрации (сумма векторов по трем осям), определенное в соответствии с EN60745:

Модель HR1840

Рабочий режим: ударное сверление бетона
 Распространение вибрации ($a_{h,HD}$): 10,0 м/с²
 Погрешность (K): 1,5 м/с²
 Рабочий режим: сверление металла
 Распространение вибрации ($a_{h,HD}$): 3,0 м/с²
 Погрешность (K): 1,5 м/с²

Модель HR1841F

Рабочий режим: ударное сверление бетона
 Распространение вибрации ($a_{h,HD}$): 7,5 м/с²
 Погрешность (K): 1,5 м/с²
 Рабочий режим: сверление металла
 Распространение вибрации ($a_{h,HD}$): 3,0 м/с²
 Погрешность (K): 1,5 м/с²

ПРИМЕЧАНИЕ: Заявленное значение распространения вибрации измерено в соответствии со стандартной методикой испытаний и может быть использовано для сравнения инструментов.

ПРИМЕЧАНИЕ: Заявленное значение распространения вибрации можно также использовать для предварительных оценок воздействия.

⚠ОСТОРОЖНО: Распространение вибрации во время фактического использования электроинструмента может отличаться от заявленного значения в зависимости от способа применения инструмента.

⚠ОСТОРОЖНО: Обязательно определите меры безопасности для защиты оператора, основанные на оценке воздействия в реальных условиях использования (с учетом всех этапов рабочего цикла, таких как выключение инструмента, работа без нагрузки и включение).

Декларация о соответствии ЕС

Только для европейских стран

Декларация о соответствии ЕС включена в руководство по эксплуатации (Приложение А).

МЕРЫ БЕЗОПАСНОСТИ

Общие рекомендации по технике безопасности для электроинструментов

⚠ОСТОРОЖНО: Ознакомьтесь со всеми представленными инструкциями по технике безопасности, указаниями, иллюстрациями и техническими характеристиками, прилагаемыми к данному электроинструменту. Несоблюдение каких-либо инструкций, указанных ниже, может привести к поражению электрическим током, пожару и/или серьезной травме.

Сохраните брошюру с инструкциями и рекомендациями для дальнейшего использования.

Термин "электроинструмент" в предупреждениях относится ко всему инструменту, работающему от сети (с проводом) или на аккумуляторах (без провода).

ПРАВИЛА ТЕХНИКИ БЕЗОПАСНОСТИ ПРИ ОБРАЩЕНИИ С ПЕРФОРАТОРОМ

1. Обязательно используйте средства защиты слуха. Воздействие шума может привести к потере слуха.
2. Используйте дополнительную ручку (если входит в комплект инструмента). Утрата контроля над инструментом может привести к травме.
3. Если при выполнении работ существует риск контакта режущего инструмента со скрытой электропроводкой или собственным шнуром питания, держите электроинструмент за специально предназначенные изолированные поверхности. Контакт с проводом под напряжением может стать причиной поражения оператора током.

4. Надевайте защитную каску (защитный шлем), защитные очки и/или защитную маску для лица. Обычные или солнцезащитные очки НЕ ЯВЛЯЮТСЯ защитными очками. Также настоятельно рекомендуется надевать противопылевой респиратор и перчатки с толстыми подкладками.
5. Перед выполнением работ убедитесь в надежном креплении головки сверла.
6. При нормальной эксплуатации инструмент может вибрировать. Винты могут раскрутиться, что приведет к поломке или несчастному случаю. Перед эксплуатацией тщательно проверяйте затяжку винтов.
7. В холодную погоду, или если инструмент не использовался в течение длительного периода времени, дайте инструменту немного прогреться, включив его без нагрузки. Это размягчит смазку. Без надлежащего прогрева ударное действие будет затруднено.
8. При выполнении работ всегда занимайте устойчивое положение. При использовании инструмента на высоте убедитесь в отсутствии людей внизу.
9. Крепко держите инструмент обеими руками.
10. Руки должны находиться на расстоянии от движущихся деталей.
11. Не оставляйте работающий инструмент без присмотра. Включайте инструмент только тогда, когда он находится в руках.
12. При выполнении работ не направляйте инструмент на кого-либо, находящегося в месте выполнения работ. Головка сверла может выскочить и травмировать других людей.
13. Сразу после окончания работ не прикасайтесь к обрабатываемой детали, головке сверла или к деталям в непосредственной близости от нее. Головка сверла может быть очень горячей и обжечь кожу.
14. Некоторые материалы могут содержать токсичные химические вещества. Примите соответствующие меры предосторожности, чтобы избежать вдыхания или контакта с кожей таких веществ. Соблюдайте требования, указанные в паспорте безопасности материала.
15. Не прикасайтесь к разъему электропитания мокрыми руками.

СОХРАНИТЕ ДАННЫЕ ИНСТРУКЦИИ.

⚠ОСТОРОЖНО: НЕ ДОПУСКАЙТЕ, чтобы удобство или опыт эксплуатации данного устройства (полученный от многократного использования) доминировали над строгим соблюдением правил техники безопасности при обращении с этим устройством. НЕПРАВИЛЬНОЕ ИСПОЛЬЗОВАНИЕ инструмента или несоблюдение правил техники безопасности, указанных в данном руководстве, может привести к тяжелой травме.

ОПИСАНИЕ РАБОТЫ

⚠ ВНИМАНИЕ: Перед регулировкой или проверкой функций инструмента обязательно убедитесь, что он выключен и его вилка вынута из розетки.

Действие выключателя

⚠ ВНИМАНИЕ: Перед включением инструмента в розетку обязательно убедитесь, что триггерный переключатель работает надлежащим образом и возвращается в положение "Выкл", если его отпустить.

⚠ ВНИМАНИЕ: В случае продолжительной работы для удобства оператора переключатель можно зафиксировать в положении "Вкл.". Соблюдайте осторожность при фиксации инструмента в положении "Вкл." и крепко удерживайте инструмент.

► Рис.1: 1. Триггерный переключатель 2. Кнопка разблокировки

Для запуска инструмента просто нажмите на триггерный переключатель. Для увеличения числа оборотов нажмите триггерный переключатель сильнее. Отпустите триггерный переключатель для остановки.

Для непрерывной работы инструмента нажмите на триггерный переключатель, нажмите кнопку блокировки и затем отпустите триггерный переключатель. Для остановки инструмента из заблокированного положения полностью нажмите триггерный переключатель, затем отпустите его.

Включение передней лампы

Для HR1841F

► Рис.2: 1. Триггерный переключатель
2. Подсветка

⚠ ВНИМАНИЕ: Не смотрите непосредственно на свет или источник света.

Для включения лампы потяните триггерный переключатель. Отпустите триггерный переключатель для отключения лампы.

ПРИМЕЧАНИЕ: Не используйте растворитель или бензин для чистки лампы. Эти химические вещества могут привести к повреждению лампы.

ПРИМЕЧАНИЕ: Для удаления пыли с линзы лампы используйте сухую ткань. Не допускайте возникновения царапин на линзе лампы, так как это приведет к снижению освещенности.

Действие реверсивного переключателя

⚠ ВНИМАНИЕ: Перед работой всегда проверяйте направление вращения.

ПРИМЕЧАНИЕ: Используйте реверсивный переключатель только после полной остановки инструмента. Изменение направления вращения до полной остановки инструмента может привести к его повреждению.

ПРИМЕЧАНИЕ: При смене направления вращения убедитесь, что реверсивный переключатель полностью переведен в положение ◀ (сторона А) или ▶ (сторона В). В противном случае, если триггерный переключатель нажат, вращение двигателя может отсутствовать или инструмент может работать ненадлежащим образом.

► Рис.3: 1. Рычаг реверсивного переключателя


Этот инструмент оборудован реверсивным переключателем для изменения направления вращения. Переместите рычаг реверсивного переключателя в положение ◀ (сторона А) для вращения по часовой стрелке или в положение ▶ (сторона В) для вращения против часовой стрелки.

Выбор режима действия

ПРИМЕЧАНИЕ: Не поворачивайте ручку изменения режима работы во время работы инструмента. Это приведет к поломке инструмента.


ПРИМЕЧАНИЕ: Во избежание быстрого износа механизма изменения режима следите за тем, чтобы ручка изменения режима работы всегда точно находилась в одном из положений режима действия.

Вращение с ударным действием

Для сверления бетона, кирпичной кладки и т.п. поверните ручку изменения режимов работы в положение . Используйте головку сверла с твердосплавной пластиной.

► Рис.4: 1. Ручка изменения режима работы

Только вращение

Для сверления дерева, металла или пластмасс поверните ручку изменения режимов работы в положение . Используйте спиральное сверло или сверло по дереву.

► Рис.5: 1. Ручка изменения режима работы

Ограничитель крутящего момента

ПРИМЕЧАНИЕ: При срабатывании ограничителя крутящего момента немедленно выключите инструмент. Это поможет предотвратить преждевременный износ инструмента.

ПРИМЕЧАНИЕ: Такие головки сверла, как кольцевая пила, которые могут быть легко защемлены в отверстии, не подходят для данного инструмента. Такие насадки вызывают частое срабатывание ограничителя крутящего момента.

Ограничитель крутящего момента срабатывает при достижении определенного уровня крутящего момента. Электродвигатель отсоединится от выходного вала. Когда это произойдет, головка сверла перестанет вращаться.

СБОРКА

⚠ ВНИМАНИЕ: Перед проведением каких-либо работ с инструментом обязательно проверьте, что инструмент выключен, а шнур питания вынут из розетки.

Боковая ручка (вспомогательная рукоятка)

⚠ ВНИМАНИЕ: Для обеспечения безопасности во время работ всегда используйте боковую ручку.

⚠ ВНИМАНИЕ: После установки или регулировки боковой ручки убедитесь в надежности ее крепления.

Установите боковую ручку так, чтобы выступы на ее основании вошли в пазы на цилиндрической части инструмента. Поверните ручку по часовой стрелке для фиксации. Ручку можно закрепить под нужным углом.

► **Рис.6:** 1. Боковая ручка

Смазка

Смажьте хвостовик головки сверла заранее небольшим количеством смазки для головки сверла (примерно 0,5 - 1 г).

Такая смазка патрона обеспечивает равномерную работу и увеличивает срок службы.

Установка или снятие головки сверла

Перед установкой головки сверла очистите хвостовик и смажьте его.

► **Рис.7:** 1. Хвостовик 2. Смазка

Вставьте головку сверла в инструмент. Поверните головку сверла и нажмите, чтобы зафиксировать. После установки убедитесь в надежной фиксации головки сверла, для чего потяните за нее.

► **Рис.8:** 1. Головка сверла

Чтобы снять головку сверла, нажмите вниз на крышку патрона и вытаскивайте головку сверла.

► **Рис.9:** 1. Головка сверла 2. Крышка патрона

Глубиномер

Глубиномер удобен для сверления отверстий одинаковой глубины. Ослабьте боковую ручку и вставьте глубиномер в отверстие боковой ручки. Отрегулируйте глубиномер на желаемую глубину и крепко затяните боковую ручку.

► **Рис.10:** 1. Отверстие 2. Глубиномер

ПРИМЕЧАНИЕ: Во время присоединения убедитесь, что глубиномер не касается корпуса инструмента.

Колпак для пыли (дополнительная принадлежность)

Используйте колпак для пыли для предотвращения падения пыли на инструмент и на вас при выполнении сверления над головой. Прикрепите колпак для пыли к сверлу, как показано на рисунке. Размер сверл, к которым можно прикрепить колпак для пыли, следующий.

Модель	Диаметр сверла
Колпак для пыли 5	6 мм - 14,5 мм
Колпак для пыли 9	12 мм - 16 мм

► **Рис.11:** 1. Колпак для пыли

Колпак для пыли в сборе (дополнительная принадлежность)

ПРИМЕЧАНИЕ: Если вы приобретаете колпак для пыли в сборе в качестве дополнительной принадлежности, при установленном колпаке для пыли в сборе невозможно использовать стандартную боковую ручку. После установки колпака для пыли в сборе на инструмент снимите ручку со стандартной боковой ручки, затем прикрепите ее к дополнительному основанию ручки в сборе.

► **Рис.12:** 1. Болт 2. Ручка 3. Дополнительное основание ручки в сборе

ПРИМЕЧАНИЕ: Не используйте колпак для пыли в сборе при сверлении металла или аналогичного материала. Это может привести к повреждению колпака для пыли в сборе нагретыми металлическими или подобными частицами. Не устанавливайте и не снимайте колпак для пыли в сборе при установленной на инструмент головке сверла. Это может привести к повреждению колпака для пыли в сборе и утечке пыли.

Перед установкой колпака для пыли в сборе снимите с инструмента сверло, если оно было на него установлено.

Установите проставку так, чтобы выступы на ее основании вошли в пазы на цилиндрической части инструмента, расширяя ее. Не допустите соскальзывания пружины с прорези проставки.

► **Рис.13:** 1. Проставка 2. Пружина

► Рис.14

Установите боковую ручку (дополнительное основание ручки в сборе и ручка, снятая со стандартной боковой ручки) так, чтобы выступ на проставке вошел в паз на ручке. Поверните ручку по часовой стрелке для фиксации.

► Рис.15: 1. Боковая ручка

Установите колпак для пыли в сборе так, чтобы захваты колпака для пыли вошли в прорези проставки.

► Рис.16: 1. Колпак для пыли 2. Захват

ПРИМЕЧАНИЕ: В случае использования пылесоса совместно с колпаком для пыли в сборе перед подсоединением снимите крышку колпака для пыли.

► Рис.17: 1. Крышка колпака для пыли

Чтобы снять головку сверла, нажмите вниз на крышку патрона и вытащите головку сверла.

► Рис.18: 1. Сверло 2. Крышка патрона

Чтобы снять колпак для пыли в сборе, возьмитесь за основание колпака и потяните.

► Рис.19

ПРИМЕЧАНИЕ: Если крышка отсоединилась от колпака для пыли, прикрепите ее так, чтобы сторона с печатью была направлена вверх, а выступ на крышке располагался внутри периметра дополнительного оборудования.

► Рис.20

ЭКСПЛУАТАЦИЯ

▲ВНИМАНИЕ: Всегда пользуйтесь боковой ручкой (вспомогательной рукояткой) и при работе крепко держите инструмент и за боковую ручку, и за ручку с выключателем.

▲ВНИМАНИЕ: Перед началом работы всегда проверяйте надежность закрепления рабочей детали.

► Рис.21

Сверление с ударным действием

▲ВНИМАНИЕ: Когда инструмент/головка сверла начинает выходить из материала при завершении отверстия или когда отверстие забивается стружкой или частицами, а также при попадании на пруток арматуры при сверлении бетона, возникает огромное мгновенное усилие на инструмент/головку сверла. **Всегда пользуйтесь боковой ручкой (вспомогательной рукояткой) и при работе крепко держите инструмент и за боковую ручку, и за ручку с выключателем.** Несоблюдение данного требования может привести к потере контроля над инструментом и серьезной травме.

Поверните ручку изменения режима работы к символу

Расположите головку сверла в желаемом положении в отверстии, затем нажмите триггерный переключатель. Не прилагайте излишних усилий к инструменту. Небольшое усилие на инструмент приводит к лучшим результатам. Удерживайте инструмент на месте и не допускайте его соскальзывания с места выполнения отверстия.

Не применяйте дополнительное давление, если отверстие засорено щепками или посторонними частицами. Вместо этого дайте инструменту поработать вхолостую и затем частично вытащите головку сверла из отверстия. Если эту процедуру проделать несколько раз, отверстие очистится и можно будет возобновить обычное сверление.

ПРИМЕЧАНИЕ: При работе с инструментом без нагрузки может наблюдаться эксцентричность головки сверла при вращении. Инструмент осуществляет автоматическую центровку в ходе его эксплуатации. Это не влияет на точность сверления.

Сверление дерева или металла

▲ВНИМАНИЕ: Крепко удерживайте инструмент и будьте осторожны, когда головка сверла начинает проходить сквозь обрабатываемую деталь. В момент выхода головки сверла из детали возникает огромное усилие на инструмент/сверло.

▲ВНИМАНИЕ: Заклинившая головка сверла может быть без проблем извлечена из обрабатываемой детали путем изменения направления вращения при помощи реверсивного переключателя. Однако если вы не будете крепко держать инструмент, он может резко сдвинуться назад.

▲ВНИМАНИЕ: Всегда закрепляйте обрабатываемые детали в тисках или аналогичном зажимном устройстве.

ПРИМЕЧАНИЕ: Запрещается использовать режим "вращения с ударным действием", если на инструменте установлен сверлильный патрон. Это может привести к повреждению сверлильного патрона. Кроме того, при изменении направления вращения сверлильный патрон отсоединится.

ПРИМЕЧАНИЕ: Чрезмерное нажатие на инструмент не ускорит сверление. На самом деле, чрезмерное давление только повредит наконечник головки сверла, снизит производительность инструмента и сократит срок его службы.

Поверните ручку изменения режима работы к символу

Прикрепите переходник патрона к сверлильному патрону без ключа, на который можно установить винт размером 1/2"-20, затем установите их на инструмент. При его установке обратитесь к разделу "Установка или снятие головки сверла".

► Рис.22: 1. Сверлильный патрон без ключа 2. Переходник патрона

Груша для продувки

Дополнительные принадлежности

После сверления отверстия воспользуйтесь грушей для продувки, чтобы удалить пыль из отверстия.

► Рис.23

Использование колпака для пыли в сборе

Дополнительные принадлежности

Во время эксплуатации инструмента колпак для пыли в сборе должен быть установлен параллельно потоку.

► Рис.24

ПРИМЕЧАНИЕ: Не используйте колпак для пыли в сборе при сверлении металла или аналогичного материала. Это может привести к повреждению колпака для пыли в сборе нагретыми металлическими или подобными частицами.

ПРИМЕЧАНИЕ: Не устанавливайте и не снимайте колпак для пыли в сборе при установленной на инструмент головке сверла. Это может привести к повреждению колпака для пыли в сборе и утечке пыли.

ОБСЛУЖИВАНИЕ

ВНИМАНИЕ: Перед проведением проверки или работ по техобслуживанию всегда проверяйте, что инструмент выключен, а блок аккумулятора снят.

ПРИМЕЧАНИЕ: Запрещается использовать бензин, растворители, спирт и другие подобные жидкости. Это может привести к обесцвечиванию, деформации и трещинам.

Для обеспечения БЕЗОПАСНОСТИ и НАДЕЖНОСТИ оборудования ремонт, любое другое техобслуживание или регулировку необходимо производить в уполномоченных сервис-центрах Makita или сервис-центрах предприятия с использованием только сменных частей производства Makita.

ДОПОЛНИТЕЛЬНЫЕ ПРИНАДЛЕЖНОСТИ

ВНИМАНИЕ: Данные принадлежности или приспособления рекомендуются для использования с инструментом Makita, указанным в настоящем руководстве. Использование других принадлежностей или приспособлений может привести к получению травмы. Используйте принадлежность или приспособление только по указанному назначению.

Если вам необходимо содействие в получении дополнительной информации по этим принадлежностям, свяжитесь с вашим сервис-центром Makita.

- Головки сверла с твердосплавной пластиной (головки сверла с твердосплавной пластиной SDS-Plus)
- Колонковое долото
- Колонковое алмазное долото
- Переходник патрона
- Сверлильный патрон без ключа
- Смазка сверла
- Глубиномер
- Груша для продувки
- Колпак для пыли
- Колпак для пыли в сборе
- Основание ручки в сборе
- Защитные очки
- Пластмассовый чемодан для переноски

ПРИМЕЧАНИЕ: Некоторые элементы списка могут входить в комплект инструмента в качестве стандартных приспособлений. Они могут отличаться в зависимости от страны.





Makita Europe N.V. Jan-Baptist Vinkstraat 2,
3070 Kortenberg, Belgium

Makita Corporation 3-11-8, Sumiyoshi-cho,
Anjo, Aichi 446-8502 Japan

www.makita.com

885579B985 EN, SV, NO, FI, LV, LT, ET, RU 20170912
