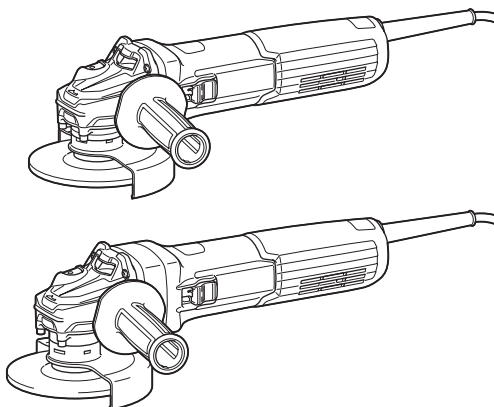




EN	Angle Grinder	INSTRUCTION MANUAL	8
SV	Vinkelslipmaskin	BRUKSANVISNING	21
NO	Vinkelsliper	BRUKSANVISNING	34
FI	Kulmahiomakone	KÄYTTÖOHJE	47
DA	Vinkelsliber	BRUGSANVISNING	60
LV	Leņķa slīpmašīna	LIETOŠANAS INSTRUKCIJA	73
LT	Kampinis šlifuoklis	NAUDOJIMO INSTRUKCIJA	86
ET	Nurklihvkäi	KASUTUSJUHEND	99
RU	Угловая шлифмашина	РУКОВОДСТВО ПО ЭКСПЛУАТАЦИИ	112

GA4590
GA4591
GA4592
GA5090
GA5091
GA5092



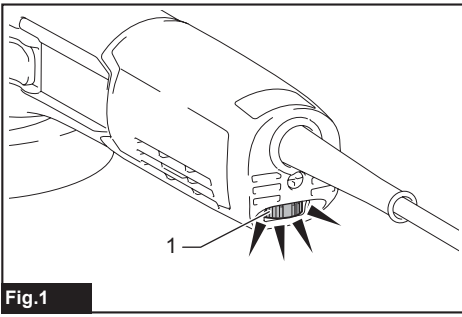


Fig.1

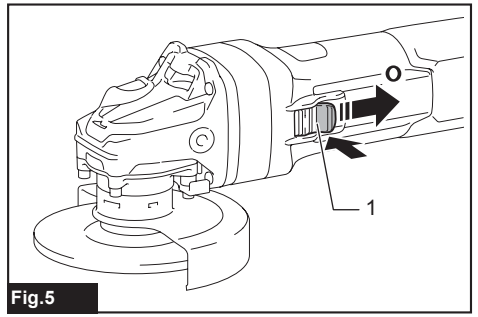


Fig.5

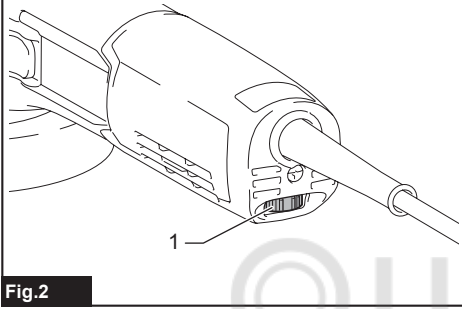


Fig.2

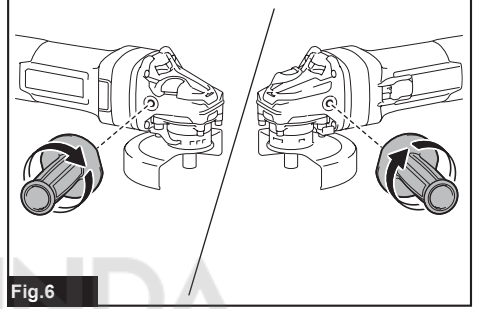


Fig.6

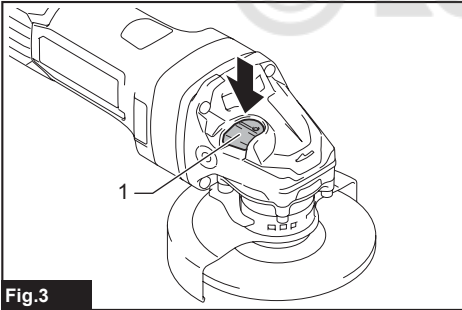


Fig.3

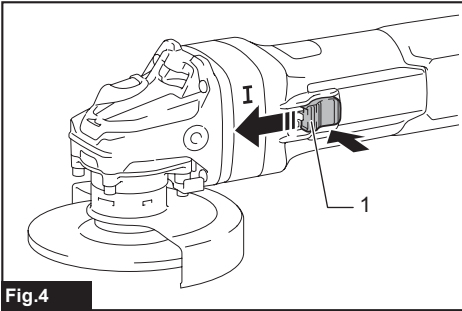


Fig.4

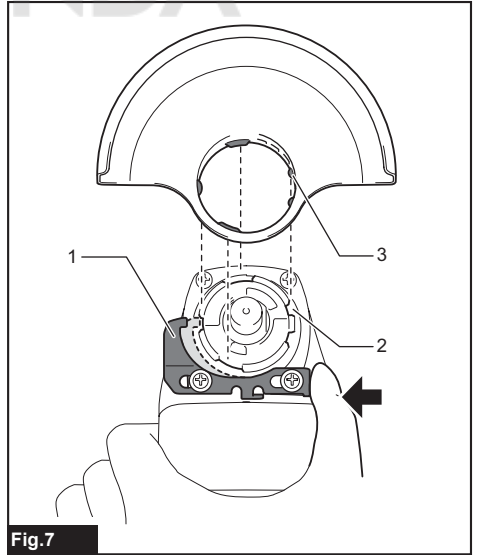


Fig.7

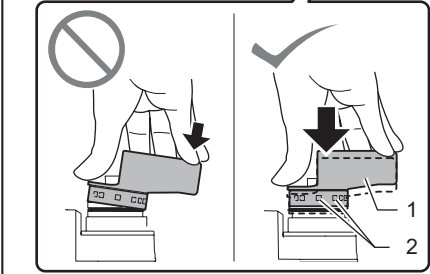
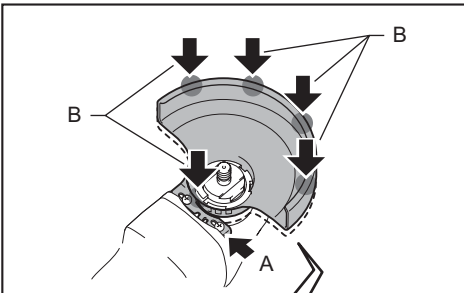


Fig.8

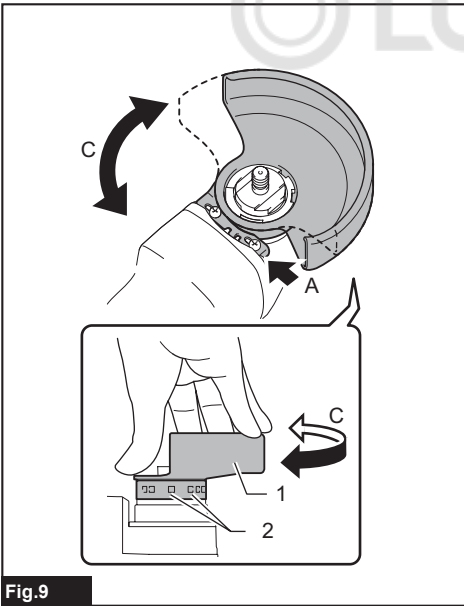


Fig.9

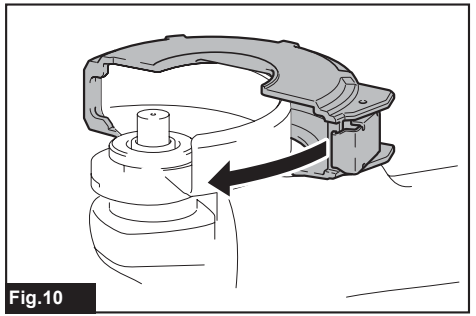


Fig.10

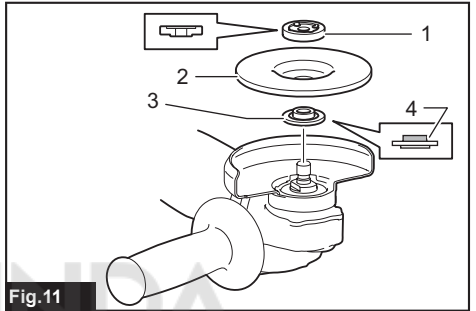


Fig.11

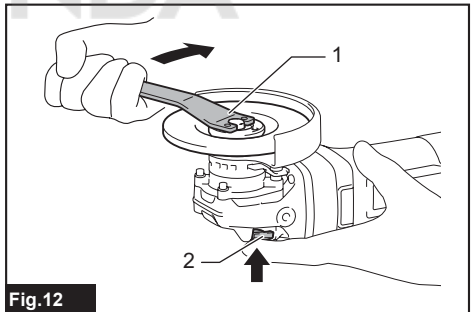


Fig.12

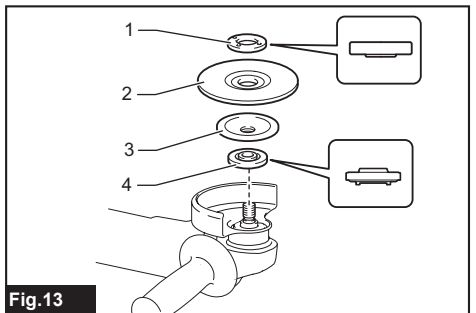
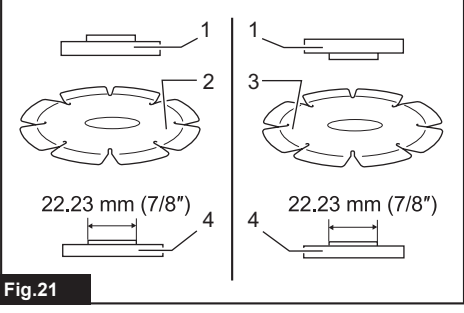
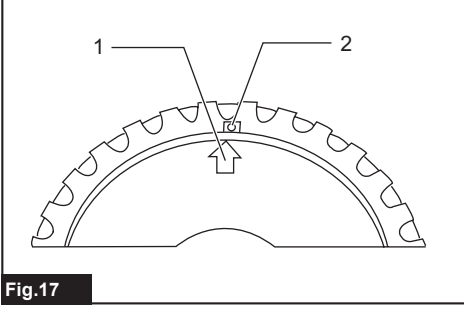
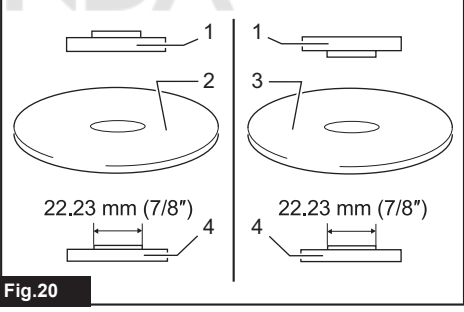
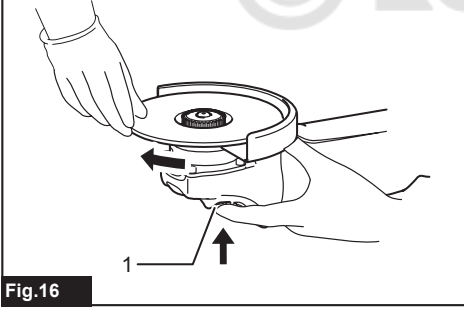
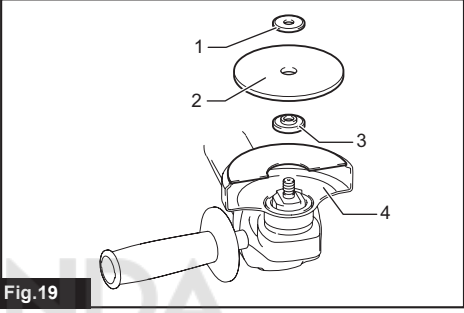
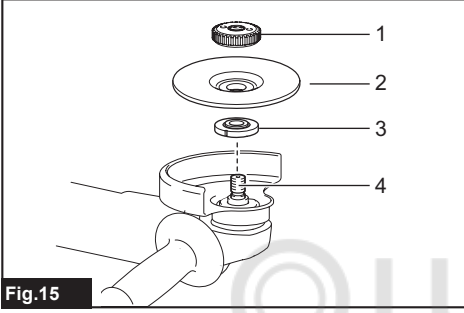
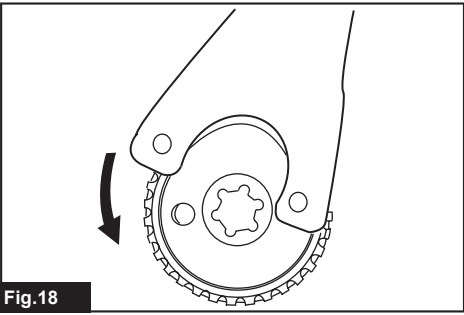
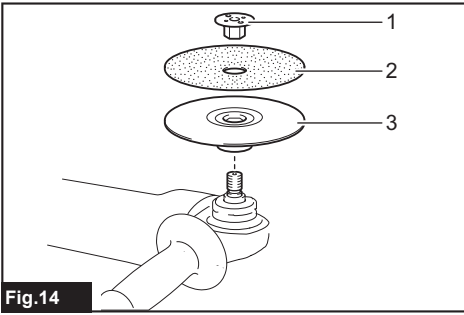


Fig.13



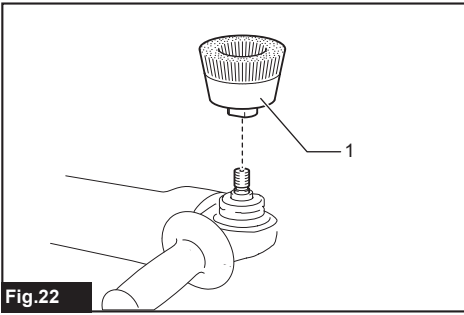


Fig.22

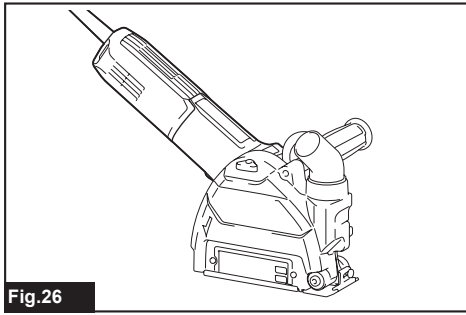


Fig.26

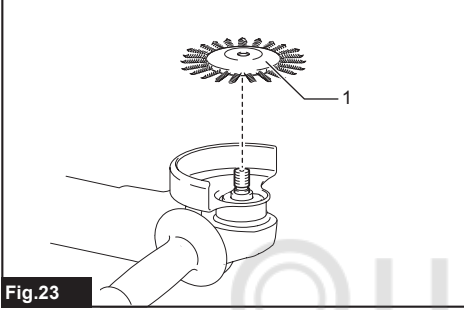


Fig.23

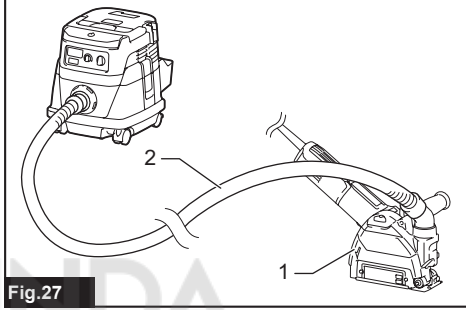


Fig.27

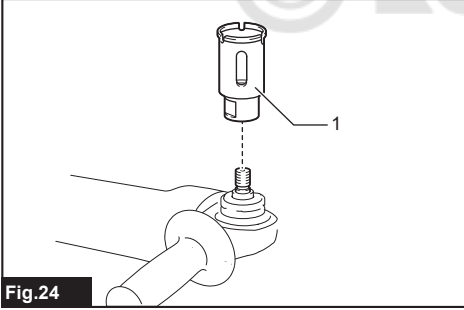


Fig.24

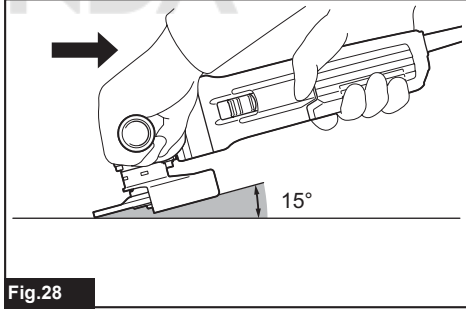


Fig.28

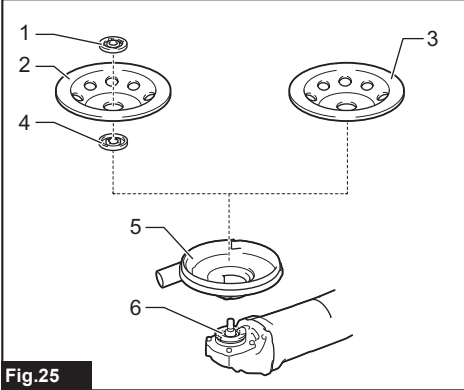


Fig.25

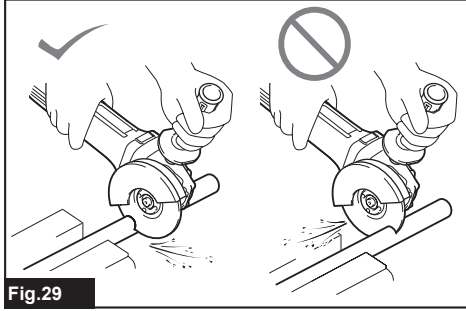


Fig.29

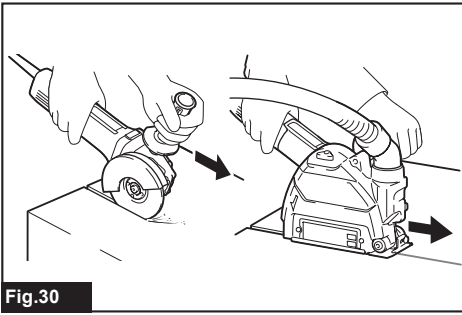


Fig.30

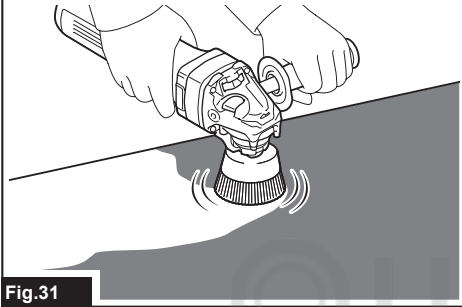


Fig.31

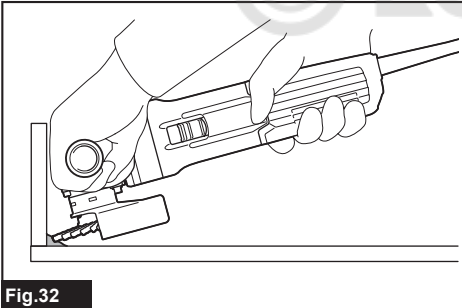


Fig.32

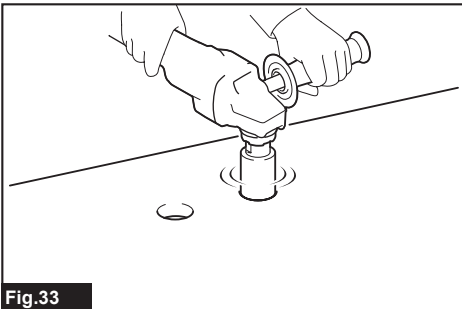


Fig.33

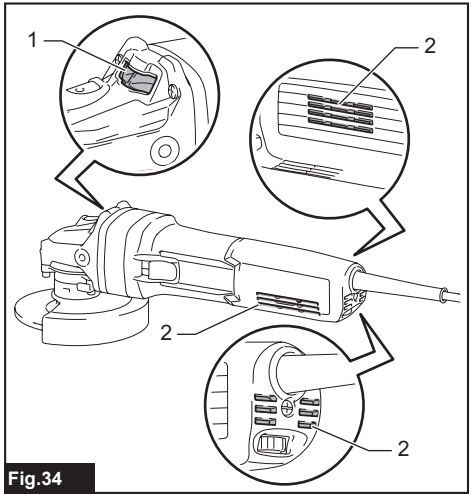


Fig.34

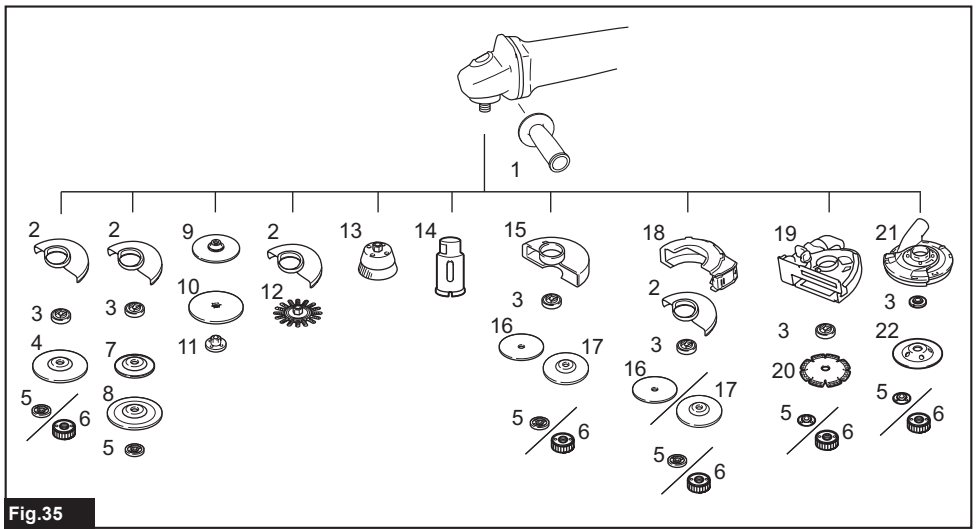


Fig.35








SPECIFICATIONS

Model:		GA4590	GA4591	GA4592	GA5090	GA5091	GA5092
Applicable grinding wheel	Max. wheel diameter	115 mm			125 mm		
	Max. wheel thickness	7.2 mm					
Applicable cut-off wheel	Max. wheel diameter	115 mm			125 mm		
	Max. wheel thickness	3.2 mm					
Applicable wire wheel brush	Max. wheel diameter	115 mm			125 mm		
	Max. wheel thickness	20 mm					
Spindle thread		M14 or 5/8" (country specific)					
Max. spindle length		23 mm					
No load speed (n ₀) / Rated speed (n)		11,500 min ⁻¹					
Overall length		326 mm	349 mm	326 mm	349 mm	326 mm	
Net weight		2.6 - 3.8 kg	2.8 - 4.0 kg	2.6 - 3.8 kg	2.8 - 4.0 kg	2.6 - 3.8 kg	
Safety class		□/II					

- Due to our continuing program of research and development, the specifications herein are subject to change without notice.
- Specifications may differ from country to country.
- The weight may differ depending on the attachment(s). The lightest and heaviest combination, according to EPTA-Procedure 01/2014, are shown in the table.

Symbols

The followings show the symbols which may be used for the equipment. Be sure that you understand their meaning before use.

	Read instruction manual.
	Wear safety glasses.
	Always operate with two hands.
	Do not use the wheel guard for cut-off operations.
	DOUBLE INSULATION



Only for EU countries
Due to the presence of hazardous components in the equipment, used electrical and electronic equipment may have a negative impact on the environment and human health.

Do not dispose of electrical and electronic appliances with household waste!

In accordance with the European Directive on waste electrical and electronic equipment and its adaptation to national law, used electrical and electronic equipment should be collected separately and delivered to a separate collection point for municipal waste, operating in accordance with the environmental protection regulations.

This is indicated by the symbol of the crossed-out wheeled bin placed on the equipment.

Intended use

The tool is intended for grinding, sanding, wire brushing, hole cutting and cutting of metal and stone materials without the use of water.

Power supply

The tool should be connected only to a power supply of the same voltage as indicated on the nameplate, and can only be operated on single-phase AC supply. They are double-insulated and can, therefore, also be used from sockets without earth wire.

Noise

The typical A-weighted noise level determined according to EN62841-2-3:

Model	Sound pressure level (L_{pA}) : (dB(A))	Sound power level (L_{WA}) : (dB(A))	Uncertainty (K) : (dB(A))
GA4590	93	101	3
GA4591	90	98	3
GA4592	93	101	3
GA5090	93	101	3
GA5091	90	98	3
GA5092	93	101	3

NOTE: The declared noise emission value(s) has been measured in accordance with a standard test method and may be used for comparing one tool with another.

NOTE: The declared noise emission value(s) may also be used in a preliminary assessment of exposure.

⚠ WARNING: Wear ear protection.

⚠ WARNING: The noise emission during actual use of the power tool can differ from the declared value(s) depending on the ways in which the tool is used especially what kind of workpiece is processed.

⚠ WARNING: Be sure to identify safety measures to protect the operator that are based on an estimation of exposure in the actual conditions of use (taking account of all parts of the operating cycle such as the times when the tool is switched off and when it is running idle in addition to the trigger time).

⚠ WARNING: Grinding thin sheets of metal or other easily vibrating structures with a large surface can result in a total noise emission much higher (up to 15 dB) than the declared noise emission values.

Set heavy flexible damping mats or such to those workpieces to prevent them from emitting sound.

Take the increased noise emission into consideration for both the risk assessment of noise exposure and selecting adequate hearing protection.

Vibration

The vibration total value (tri-axial vector sum) determined according to EN62841-2-3:

Work mode: surface grinding with normal side grip

Model	Vibration emission ($a_{hv, AG}$) : (m/s ²)	Uncertainty (K) : (m/s ²)
GA4590	4.7	1.5
GA4591	5.4	1.5
GA4592	4.7	1.5
GA5090	7.9	1.5
GA5091	7.4	1.5
GA5092	7.9	1.5

Work mode: surface grinding with anti vibration side grip

Model	Vibration emission ($a_{hv, AG}$) : (m/s ²)	Uncertainty (K) : (m/s ²)
GA4590	4.9	1.5
GA4591	5.2	1.5
GA4592	4.9	1.5
GA5090	8.8	1.5
GA5091	8.7	1.5
GA5092	8.8	1.5

Work mode: disc sanding with normal side grip

Model	Vibration emission ($a_{hr, DS}$) : (m/s ²)	Uncertainty (K) : (m/s ²)
GA4590	3.6	1.5
GA4591	3.2	1.5
GA4592	3.6	1.5
GA5090	2.7	1.5
GA5091	2.7	1.5
GA5092	2.7	1.5

Work mode: disc sanding with anti vibration side grip

Model	Vibration emission ($a_{hr, DS}$) : (m/s ²)	Uncertainty (K) : (m/s ²)
GA4590	3.5	1.5
GA4591	2.9	1.5
GA4592	3.5	1.5
GA5090	2.8	1.5
GA5091	3.0	1.5
GA5092	2.8	1.5

NOTE: The declared vibration total value(s) has been measured in accordance with a standard test method and may be used for comparing one tool with another.

NOTE: The declared vibration total value(s) may also be used in a preliminary assessment of exposure.

⚠ WARNING: The vibration emission during actual use of the power tool can differ from the declared value(s) depending on the ways in which the tool is used especially what kind of workpiece is processed.

⚠ WARNING: Be sure to identify safety measures to protect the operator that are based on an estimation of exposure in the actual conditions of use (taking account of all parts of the operating cycle such as the times when the tool is switched off and when it is running idle in addition to the trigger time).

⚠ WARNING: The declared vibration emission value is used for main applications of the power tool. However if the power tool is used for other applications, the vibration emission value may be different.

EC Declaration of Conformity

For European countries only

The EC declaration of conformity is included as Annex A to this instruction manual.

SAFETY WARNINGS

General power tool safety warnings

⚠ WARNING: Read all safety warnings, instructions, illustrations and specifications provided with this power tool. Failure to follow all instructions listed below may result in electric shock, fire and/or serious injury.

Save all warnings and instructions for future reference.

The term "power tool" in the warnings refers to your mains-operated (corded) power tool or battery-operated (cordless) power tool.

Grinder safety warnings

Safety warnings common for grinding, sanding, wire brushing, or cutting-off operations:

1. This power tool is intended to function as a grinder, sander, wire brush, hole cutter or cut-off tool. Read all safety warnings, instructions, illustrations and specifications provided with this power tool. Failure to follow all instructions listed below may result in electric shock, fire and/or serious injury.
2. Operations such as polishing are not to be performed with this power tool. Operations for which the power tool was not designed may create a hazard and cause personal injury.
3. Do not convert this power tool to operate in a way which is not specifically designed and specified by the tool manufacturer. Such a conversion may result in a loss of control and cause serious personal injury.
4. Do not use accessories which are not specifically designed and specified by the tool manufacturer. Just because the accessory can be attached to your power tool, it does not assure safe operation.
5. The rated speed of the accessory must be at least equal to the maximum speed marked on the power tool. Accessories running faster than their rated speed can break and fly apart.

6. **The outside diameter and the thickness of your accessory must be within the capacity rating of your power tool.** Incorrectly sized accessories cannot be adequately guarded or controlled.
7. **The dimensions of the accessory mounting must fit the dimensions of the mounting hardware of the power tool.** Accessories that do not match the mounting hardware of the power tool will run out of balance, vibrate excessively and may cause loss of control.
8. **Do not use a damaged accessory. Before each use inspect the accessory such as abrasive wheels for chips and cracks, backing pad for cracks, tear or excess wear, wire brush for loose or cracked wires. If power tool or accessory is dropped, inspect for damage or install an undamaged accessory. After inspecting and installing an accessory, position yourself and bystanders away from the plane of the rotating accessory and run the power tool at maximum no-load speed for one minute.** Damaged accessories will normally break apart during this test time.
9. **Wear personal protective equipment. Depending on application, use face shield, safety goggles or safety glasses. As appropriate, wear dust mask, hearing protectors, gloves and workshop apron capable of stopping small abrasive or workpiece fragments.** The eye protection must be capable of stopping flying debris generated by various applications. The dust mask or respirator must be capable of filtering particles generated by the particular application. Prolonged exposure to high intensity noise may cause hearing loss.
10. **Keep bystanders a safe distance away from work area. Anyone entering the work area must wear personal protective equipment.** Fragments of workpiece or of a broken accessory may fly away and cause injury beyond immediate area of operation.
11. **Hold the power tool by insulated gripping surfaces only, when performing an operation where the cutting accessory may contact hidden wiring or its own cord.** Cutting accessory contacting a "live" wire may make exposed metal parts of the power tool "live" and could give the operator an electric shock.
12. **Position the cord clear of the spinning accessory.** If you lose control, the cord may be cut or snagged and your hand or arm may be pulled into the spinning accessory.
13. **Never lay the power tool down until the accessory has come to a complete stop.** The spinning accessory may grab the surface and pull the power tool out of your control.
14. **Do not run the power tool while carrying it at your side.** Accidental contact with the spinning accessory could snag your clothing, pulling the accessory into your body.
15. **Regularly clean the power tool's air vents.** The motor's fan will draw the dust inside the housing and excessive accumulation of powdered metal may cause electrical hazards.
16. **Do not operate the power tool near flammable materials.** Sparks could ignite these materials.
17. **Do not use accessories that require liquid coolants.** Using water or other liquid coolants may result in electrocution or shock.

Kickback and related warnings:

Kickback is a sudden reaction to a pinched or snagged rotating wheel, backing pad, brush or any other accessory. Pinching or snagging causes rapid stalling of the rotating accessory which in turn causes the uncontrolled power tool to be forced in the direction opposite of the accessory's rotation at the point of the binding. For example, if an abrasive wheel is snagged or pinched by the workpiece, the edge of the wheel that is entering into the pinch point can dig into the surface of the material causing the wheel to climb out or kick out. The wheel may either jump toward or away from the operator, depending on direction of the wheel's movement at the point of pinching. Abrasive wheels may also break under these conditions.

Kickback is the result of power tool misuse and/or incorrect operating procedures or conditions and can be avoided by taking proper precautions as given below.

1. **Maintain a firm grip with both hands on the power tool and position your body and arms to allow you to resist kickback forces. Always use auxiliary handle, if provided, for maximum control over kickback or torque reaction during start-up.** The operator can control torque reactions or kickback forces, if proper precautions are taken.
2. **Never place your hand near the rotating accessory.** Accessory may kickback over your hand.
3. **Do not position your body in the area where power tool will move if kickback occurs.** Kickback will propel the tool in direction opposite to the wheel's movement at the point of snagging.
4. **Use special care when working corners, sharp edges, etc. Avoid bouncing and snagging the accessory.** Corners, sharp edges or bouncing have a tendency to snag the rotating accessory and cause loss of control or kickback.
5. **Do not attach a saw chain woodcarving blade, segmented diamond wheel with a peripheral gap greater than 10 mm or toothed saw blade.** Such blades create frequent kickback and loss of control.

Safety warnings specific for grinding and cutting-off operations:

1. **Use only wheel types that are specified for your power tool and the specific guard designed for the selected wheel.** Wheels for which the power tool was not designed cannot be adequately guarded and are unsafe.
2. **The grinding surface of centre depressed wheels must be mounted below the plane of the guard lip.** An improperly mounted wheel that projects through the plane of the guard lip cannot be adequately protected.
3. **The guard must be securely attached to the power tool and positioned for maximum safety, so the least amount of wheel is exposed towards the operator.** The guard helps to protect the operator from broken wheel fragments, accidental contact with wheel and sparks that could ignite clothing.
4. **Wheels must be used only for specified applications. For example: do not grind with the side of cut-off wheel.** Abrasive cut-off wheels are intended for peripheral grinding, side forces applied to these wheels may cause them to shatter.

5. **Always use undamaged wheel flanges that are of correct size and shape for your selected wheel.** Proper wheel flanges support the wheel thus reducing the possibility of wheel breakage. Flanges for cut-off wheels may be different from grinding wheel flanges.
6. **Do not use worn down wheels from larger power tools.** A wheel intended for larger power tool is not suitable for the higher speed of a smaller tool and may burst.
7. **When using dual purpose wheels always use the correct guard for the application being performed.** Failure to use the correct guard may not provide the desired level of guarding, which could lead to serious injury.

Additional safety warnings specific for cutting-off operations:

1. **Do not “jam” the cut-off wheel or apply excessive pressure. Do not attempt to make an excessive depth of cut.** Overstressing the wheel increases the loading and susceptibility to twisting or binding of the wheel in the cut and the possibility of kickback or wheel breakage.
2. **Do not position your body in line with and behind the rotating wheel.** When the wheel, at the point of operation, is moving away from your body, the possible kickback may propel the spinning wheel and the power tool directly at you.
3. **When the wheel is binding or when interrupting a cut for any reason, switch off the power tool and hold it motionless until the wheel comes to a complete stop. Never attempt to remove the cut-off wheel from the cut while the wheel is in motion otherwise kickback may occur.** Investigate and take corrective action to eliminate the cause of wheel binding.
4. **Do not restart the cutting operation in the workpiece. Let the wheel reach full speed and carefully re-enter the cut.** The wheel may bind, walk up or kickback if the power tool is restarted in the workpiece.
5. **Support panels or any oversized workpiece to minimize the risk of wheel pinching and kickback.** Large workpieces tend to sag under their own weight. Supports must be placed under the workpiece near the line of cut and near the edge of the workpiece on both sides of the wheel.
6. **Use extra caution when making a “pocket cut” into existing walls or other blind areas.** The protruding wheel may cut gas or water pipes, electrical wiring or objects that can cause kickback.
7. **Do not attempt to do curved cutting.** Overstressing the wheel increases the loading and susceptibility to twisting or binding of the wheel in the cut and the possibility of kickback or wheel breakage, which can lead to serious injury.
8. **Before using a segmented diamond wheel, make sure that the diamond wheel has the peripheral gap between segments of 10 mm or less, only with a negative rake angle.**

Safety warnings specific for sanding operations:

1. **Use proper sized sanding disc paper. Follow manufacturers recommendations, when selecting sanding paper.** Larger sanding paper extending too far beyond the sanding pad presents a laceration hazard and may cause snagging, tearing of the disc or kickback.

Safety warnings specific for wire brushing operations:

1. **Be aware that wire bristles are thrown by the brush even during ordinary operation. Do not overstress the wires by applying excessive load to the brush.** The wire bristles can easily penetrate light clothing and/or skin.
2. **If the use of a guard is specified for wire brushing, do not allow any interference of the wire wheel or brush with the guard.** Wire wheel or brush may expand in diameter due to work load and centrifugal forces.

Additional Safety Warnings:

1. **When using depressed centre grinding wheels, be sure to use only fiberglass-reinforced wheels.**
2. **NEVER USE Stone Cup type wheels with this grinder.** This grinder is not designed for these types of wheels and the use of such a product may result in serious personal injury.
3. **Be careful not to damage the spindle, the flange (especially the installing surface) or the lock nut. Damage to these parts could result in wheel breakage.**
4. **Make sure the wheel is not contacting the workpiece before the switch is turned on.**
5. **Before using the tool on an actual workpiece, let it run for a while. Watch for vibration or wobbling that could indicate poor installation or a poorly balanced wheel.**
6. **Use the specified surface of the wheel to perform the grinding.**
7. **Do not leave the tool running. Operate the tool only when hand-held.**
8. **Do not touch the workpiece immediately after operation; it may be extremely hot and could burn your skin.**
9. **Do not touch accessories immediately after operation; it may be extremely hot and could burn your skin.**
10. **Observe the instructions of the manufacturer for correct mounting and use of wheels. Handle and store wheels with care.**
11. **Do not use separate reducing bushings or adaptors to adapt large hole abrasive wheels.**
12. **Use only flanges specified for this tool.**
13. **For tools intended to be fitted with threaded hole wheel, ensure that the thread in the wheel is long enough to accept the spindle length.**
14. **Check that the workpiece is properly supported.**
15. **Pay attention that the wheel continues to rotate after the tool is switched off.**
16. **If working place is extremely hot and humid, or badly polluted by conductive dust, use a short-circuit breaker (30 mA) to assure operator safety.**
17. **Do not use the tool on any materials containing asbestos.**
18. **When use cut-off wheel, always work with the dust collecting wheel guard if required by domestic regulation.**
19. **Cutting discs must not be subjected to any lateral pressure.**

20. **Do not use cloth work gloves during operation.** Fibers from cloth gloves may enter the tool, which causes tool breakage.
21. **Before operation, make sure that there is no buried object such as electric pipe, water pipe or gas pipe in the workpiece.** Otherwise, it may cause an electric shock, electrical leakage or gas leak.
22. **If a blotter is attached to the wheel, do not remove it. The diameter of the blotter must be larger than the lock nut, outer flange, and inner flange.**
23. **Before installing a grinding wheel, always check that the blotter part does not have any abnormalities such as chips or cracks.**
24. **Tighten the lock nut properly.** Overtightening the wheel can cause breakage and insufficient tightening can cause fluttering.

SAVE THESE INSTRUCTIONS.

⚠WARNING: DO NOT let comfort or familiarity with product (gained from repeated use) replace strict adherence to safety rules for the subject product. MISUSE or failure to follow the safety rules stated in this instruction manual may cause serious personal injury.

FUNCTIONAL DESCRIPTION

⚠CAUTION: Always be sure that the tool is switched off and unplugged before adjusting or checking function on the tool.

Tool protection system

The tool is equipped with a tool protection system. This system automatically reduces or cuts off power to the motor to extend tool life. The tool will automatically reduce power or stop during operation if the tool is placed under one of the following conditions:

Overload protection

When the tool is operated in a manner that causes it to draw an abnormally high current, the tool reduces power automatically without any indication. In this situation, remove the cause of the overload so that the rotation speed recovered.

Overheat protection

Country specific

When the tool is overheated, the tool stops automatically and the indication lamp blinks in red. In this situation, let the tool cool down. You can turn the tool on again after the lamp changes the color from red to green.

Indication lamp

► **Fig.1:** 1. Indication lamp

The indication lamp lights up green when the tool is plugged.

If the indication lamp blinks in red, the overheat protection, Active Feedback sensing Technology, or the accidental re-start preventive function stops operation. In this situation, switch off the tool. Then, turn the tool on to restart.

If the indication lamp lights up in red after switch off the tool, the tool is overheated. In this situation, cool down the tool and wait until the indication lamp lights up in green.

Speed adjusting dial

Only for model GA4590 / GA4591 / GA5090 / GA5091

⚠CAUTION: If the tool is operated continuously at low speeds for a long time, the motor will get overloaded and heated up.

⚠CAUTION: The speed adjusting dial can be turned only as far as 5 and back to 1. Do not force it past 5 or 1, or the speed adjusting function may no longer work.

The rotating speed can be changed by turning the speed adjusting dial to a given number setting from 1 to 5. Higher speed is obtained when the dial is turned in the direction of number 5. And lower speed is obtained when it is turned in the direction of number 1. Refer to the below table for the relationship between the number settings on the dial and the approximate rotating speed.

Number	Rated speed
1	2,800 min ⁻¹ (/min)
2	4,500 min ⁻¹ (/min)
3	6,500 min ⁻¹ (/min)
4	8,000 min ⁻¹ (/min)
5	11,500 min ⁻¹ (/min)

► **Fig.2:** 1. Speed adjusting dial

Shaft lock

⚠WARNING: Never actuate the shaft lock when the spindle is moving. It may cause serious injury or the tool damage.

Press the shaft lock to prevent spindle rotation when installing or removing accessories.

► **Fig.3:** 1. Shaft lock

Switch action

⚠ CAUTION: Before plugging in the tool, always check to see that the slide switch actuates properly and returns to the "OFF" position when the rear end of the slide switch is depressed.

⚠ CAUTION: Switch can be locked in the "ON" position for ease of operator comfort during extended use. Apply caution when locking tool in the "ON" position and maintain firm grasp on tool.

To start the tool, press down the rear end of the slide switch and then slide it toward the "I (ON)" position. For continuous operation, press down the front end of the slide switch to lock it.

► Fig.4: 1. Slide switch

To stop the tool, press down the rear end of the slide switch so that it returns to the "O (OFF)" position.

► Fig.5: 1. Slide switch

Electronic function

Active Feedback sensing Technology

⚠ CAUTION: Hold the tool firmly until the rotation stops.

The tool electronically detects situations where the wheel or accessory may be at risk to be bound. In such situation, the tool automatically shuts off the power to prevent further rotation of the spindle (this does not prevent kickback).

At this time, the indication lamp blinks in red and shows the Active Feedback sensing Technology is working.

To restart the tool, switch off the tool first, remove the cause of sudden drop in the rotation speed, and then turn the tool on.

Accidental re-start preventive function

When plugging in the tool while the switch is ON, the tool does not start.

At this time, the indication lamp blinks in red and shows that the accidental re-start preventive function works.

To start the tool, turn off the switch, and turn it on again.

Constant speed control

Possible to get fine finish, because the rotating speed is kept constant even under the loaded condition.

Soft start feature

Soft start feature reduces starting reaction.

Mechanical brake

Only for model GA4591 / GA5091

Mechanical brake is activated after the tool is switched off.

The brake does not work when the power supply is shut down with the switch still on.

ASSEMBLY

⚠ CAUTION: Always be sure that the tool is switched off and unplugged before carrying out any work on the tool.

Installing side grip (handle)

⚠ CAUTION: Always be sure that the side grip is installed securely before operation.

Screw the side grip securely on the position of the tool as shown in the figure.

► Fig.6

Installing or removing wheel guard

⚠ WARNING: When using a depressed center wheel, flap disc, flex wheel or wire wheel brush, the wheel guard must be fitted on the tool so that the closed side of the guard always points toward the operator.

⚠ WARNING: Make sure that the wheel guard is securely locked by the lock lever with one of the holes on the wheel guard.

⚠ WARNING: When using an abrasive cut-off / diamond wheel, be sure to use only the special wheel guard designed for use with cut-off wheels.

For depressed center wheel, flap disc, flex wheel, wire wheel brush / abrasive cut-off wheel, diamond wheel

1. While pushing the lock lever, mount the wheel guard with the protrusions on the wheel guard aligned with the notches on the bearing box.

► Fig.7: 1. Lock lever 2. Notch 3. Protrusion

2. While pushing the lock lever toward A, hold down the portions B of the wheel guard as shown in the figure.

► Fig.8: 1. Wheel guard 2. Hole

NOTE: Push down the wheel guard straight. Otherwise, you cannot secure the wheel guard.

3. While pushing the lock lever toward A, rotate the wheel guard toward C, and then, change the angle of the wheel guard according to the work so that the operator can be protected. Align the lock lever with one of the holes in the wheel guard, and then release the lock lever to lock the wheel guard.

► Fig.9: 1. Wheel guard 2. Hole

To remove wheel guard, follow the installation procedure in reverse.

Clip-on cutting wheel guard attachment

Optional accessory

NOTE: For cutting-off operations, a clip-on cutting wheel guard attachment can be used with the wheel guard (for grinding wheel).

Not available in some countries.

► Fig.10

Installing or removing depressed center wheel or flap disc

Optional accessory

⚠ WARNING: When using a depressed center wheel or flap disc, the wheel guard must be fitted on the tool so that the closed side of the guard always points toward the operator.

⚠ WARNING: Make sure that the mounting part of the inner flange fits into the inner diameter of the depressed center wheel / flap disc perfectly. Mounting the inner flange on the wrong side may result in the dangerous vibration.

Mount the inner flange onto the spindle. Make sure to fit the dented part of the inner flange onto the straight part at the bottom of the spindle. Fit the depressed center wheel / flap disc on the inner flange and screw the lock nut onto the spindle.

► **Fig.11:** 1. Lock nut 2. Depressed center wheel 3. Inner flange 4. Mounting part

To tighten the lock nut, press the shaft lock firmly so that the spindle cannot revolve, then use the lock nut wrench and securely tighten clockwise.

► **Fig.12:** 1. Lock nut wrench 2. Shaft lock

To remove the wheel, follow the installation procedure in reverse.

Installing or removing flex wheel

Optional accessory

⚠ WARNING: Always use supplied guard when flex wheel is on the tool. Wheel can shatter during use and guard helps to reduce chances of personal injury.

► **Fig.13:** 1. Lock nut 2. Flex wheel 3. Back up pad 4. Inner flange

Follow instructions for depressed center wheel but also use back up pad over wheel.

Installing or removing abrasive disc

Optional accessory

► **Fig.14:** 1. Sanding lock nut 2. Abrasive disc 3. Rubber pad

1. Mount the rubber pad onto the spindle.
2. Fit the disc on the rubber pad and screw the sanding lock nut onto the spindle.
3. Hold the spindle with the shaft lock, and securely tighten the sanding lock nut clockwise with the lock nut wrench.

To remove the disc, follow the installation procedure in reverse.

NOTE: Use sander accessories specified in this manual. These must be purchased separately.

Super flange

Optional accessory

Only for model GA4590 / GA4592 / GA5090 / GA5092

Super flange is a special accessory for model which is NOT equipped with a brake function.

Only 1/3 of efforts needed to undo lock nut, compared with conventional type.

Installing or removing Ezynut

Optional accessory

Only for tools with M14 spindle thread.

⚠ CAUTION: Do not use Ezynut with Super Flange. Those flanges are so thick that the entire thread cannot be retained by the spindle.

Mount inner flange, abrasive wheel and Ezynut onto the spindle so that Makita Logo on Ezynut faces outside.

► **Fig.15:** 1. Ezynut 2. Abrasive wheel 3. Inner flange 4. Spindle

Press shaft lock firmly and tighten Ezynut by turning the abrasive wheel clockwise as far as it turns.

► **Fig.16:** 1. Shaft lock

To loosen the Ezynut, turn the outside ring of Ezynut counterclockwise.

NOTE: Ezynut can be loosened by hand as long as the arrow points the notch. Otherwise a lock nut wrench is required to loosen it. Insert one pin of the wrench into a hole and turn Ezynut counterclockwise.

► **Fig.17:** 1. Arrow 2. Notch

► **Fig.18**

Installing abrasive cut-off / diamond wheel

Optional accessory

⚠ WARNING: When using an abrasive cut-off / diamond wheel, be sure to use only the special wheel guard designed for use with cut-off wheels.

⚠ WARNING: NEVER use cut-off wheel for side grinding.

► **Fig.19:** 1. Lock nut 2. Abrasive cut-off wheel / diamond wheel 3. Inner flange 4. Wheel guard for abrasive cut-off wheel / diamond wheel

As for the installation, follow the instructions for depressed center wheel.

The direction for mounting the lock nut and the inner flange varies by wheel type and thickness. Refer to the following figures.

When installing the abrasive cut-off wheel:

► **Fig.20:** 1. Lock nut 2. Abrasive cut-off wheel (Thinner than 4 mm (5/32")) 3. Abrasive cut-off wheel (4 mm (5/32") or thicker) 4. Inner flange

When installing the diamond wheel:

► **Fig.21:** 1. Lock nut 2. Diamond wheel (Thinner than 4 mm (5/32")) 3. Diamond wheel (4 mm (5/32") or thicker) 4. Inner flange

Installing wire cup brush

Optional accessory

CAUTION: Do not use brush that is damaged, or which is out of balance. Use of damaged brush could increase potential for injury from contact with broken brush wires.

Place the tool upside down to allow easy access to the spindle.

Remove any accessories on spindle. Thread wire cup brush onto spindle and tighten with supplied wrench.

► **Fig.22:** 1. Wire cup brush

Installing wire wheel brush

Optional accessory

CAUTION: Do not use wire wheel brush that is damaged, or which is out of balance. Use of damaged wire wheel brush could increase potential for injury from contact with broken wires.

CAUTION: ALWAYS use guard with wire wheel brushes, assuring diameter of wheel fits inside guard. Wheel can shatter during use and guard helps to reduce chances of personal injury.

Place the tool upside down to allow easy access to the spindle.

Remove any accessories on spindle. Thread wire wheel brush onto spindle and tighten with the wrenches.

► **Fig.23:** 1. Wire wheel brush

Installing hole cutter

Optional accessory

Place the tool upside down to allow easy access to the spindle.

Remove any accessories on the spindle. Thread the hole cutter onto the spindle, and tighten it with the supplied wrench.

► **Fig.24:** 1. Hole cutter

Installing dust collecting wheel guard for grinding

Optional accessory

With optional accessories, you can use this tool for planing concrete surface.

CAUTION: Dust collecting wheel guard for grinding is only for use in planing concrete surface with a cup-type diamond wheel. Do not use this guard with any other cutting accessory or for any other purpose.

CAUTION: Before operation, make sure that a vacuum cleaner is connected to the tool and turned on.

Place the tool upside down and install the dust collecting wheel guard.

Mount the inner flange onto the spindle.

Fit the cup-type diamond wheel on the inner flange and tighten the lock nut onto the spindle.

► **Fig.25:** 1. Lock nut 2. Cup-type diamond wheel 3. Hubbed cup-type diamond wheel 4. Inner flange 5. Dust collecting wheel guard 6. Bearing box

NOTE: For information how to install the dust collecting wheel guard, refer to the manual of the dust collecting wheel guard.

Installing dust collecting wheel guard for cutting-off

Optional accessory

With optional accessories, you can use this tool for cutting stone materials.

► **Fig.26**

NOTE: For information how to install the dust collecting wheel guard, refer to the manual of the dust collecting wheel guard.

Connecting a vacuum cleaner

Optional accessory

WARNING: Never vacuum metal particles created by grinding/cutting/sanding operation. Metal particles created by such operation are so hot that they ignite dust and the filter inside the vacuum cleaner.

To avoid dusty environment caused by masonry cutting, use a dust collecting wheel guard and a vacuum cleaner.

Refer to the instruction manual attached to the dust collecting wheel guard for assembling and using it.

► **Fig.27:** 1. Dust collecting wheel guard 2. Hose of the vacuum cleaner

Installing or removing dust cover attachment

Optional accessory

CAUTION: Always be sure that the tool is switched off and unplugged before installing or removing the dust cover attachment. Failure to do so causes damage to the tool or a personal injury.

Install the dust cover attachment to each specified position.

For details, refer to the instruction manual of the dust cover attachment.

NOTICE: Clean out the dust cover attachment when it is clogged with dust or foreign matters. Continuing operation with a clogged dust cover attachment will damage the tool.

OPERATION

⚠ WARNING: It should never be necessary to force the tool. The weight of the tool applies adequate pressure. Forcing and excessive pressure could cause dangerous wheel breakage.

⚠ WARNING: ALWAYS replace wheel if tool is dropped while grinding.

⚠ WARNING: NEVER hit the workpiece with the wheel.

⚠ WARNING: Avoid bouncing and snagging the wheel, especially when working corners, sharp edges etc. This can cause loss of control and kickback.

⚠ WARNING: NEVER use tool with wood cutting blades and other saw blades. Such blades when used on a grinder frequently kick and cause loss of control leading to personal injury.

⚠ WARNING: Continued use of a worn-out wheel may result in wheel explosion and serious personal injury.

⚠ CAUTION: Never switch on the tool when it is in contact with the workpiece, it may cause an injury to operator.

⚠ CAUTION: Always wear safety goggles or a face shield during operation.

⚠ CAUTION: After operation, always switch off the tool and wait until the wheel has come to a complete stop before putting the tool down.

⚠ CAUTION: ALWAYS hold the tool firmly with one hand on housing and the other on the side grip (handle).

NOTE: A dual purpose wheel can be used for both grinding and cutting-off operations.

Refer to the "Operation with wheel/disc" for grinding operation, and refer to the "Operation with abrasive cut-off / diamond wheel" for cutting-off operation.

Operation with wheel/disc

► Fig.28

Turn the tool on and then apply the wheel or disc to the workpiece.

In general, keep the edge of the wheel or disc at an angle of about 15° to the workpiece surface.

During the break-in period with a new wheel, do not work the grinder in forward direction or it may cut into the workpiece. Once the edge of the wheel has been rounded off by use, the wheel may be worked in both forward and backward direction.

Operation with abrasive cut-off / diamond wheel

Optional accessory

⚠ WARNING: Do not "jam" the wheel or apply excessive pressure. Do not attempt to make an excessive depth of cut. Overstressing the wheel increases the loading and susceptibility to twisting or binding of the wheel in the cut and the possibility of kickback, wheel breakage and overheating of the motor may occur.

⚠ WARNING: Do not start the cutting operation in the workpiece. Let the wheel reach full speed and carefully enter into the cut moving the tool forward over the workpiece surface. The wheel may bind, walk up or kickback if the power tool is started in the workpiece.

⚠ WARNING: During cutting operations, never change the angle of the wheel. Placing side pressure on the cut-off wheel (as in grinding) will cause the wheel to crack and break, causing serious personal injury.

⚠ WARNING: A diamond wheel shall be operated perpendicular to the material being cut.

Usage example: operation with abrasive cut-off wheel

► Fig.29

Usage example: operation with diamond wheel

► Fig.30

Operation with wire cup brush

Optional accessory

⚠ CAUTION: Check operation of brush by running tool with no load, insuring that no one is in front of or in line with brush.

Usage example: operation with wire cup brush

► Fig.31

NOTICE: Avoid applying too much pressure which causes over bending of wires when using brush. It may lead to premature breakage.

Operation with wire wheel brush

Optional accessory

⚠ CAUTION: Check operation of wire wheel brush by running tool with no load, insuring that no one is in front of or in line with the wire wheel brush.

Usage example: operation with wire wheel brush

► Fig.32

NOTICE: Avoid applying too much pressure which causes over bending of wires when using wire wheel brush. It may lead to premature breakage.

Operation with hole cutter

Optional accessory

⚠ CAUTION: Check operation of the hole cutter by running the tool with no load, insuring that no one is in front of the hole cutter.

NOTICE: Do not tilt the tool during operation. It may lead to premature breakage.

Usage example: operation with hole cutter

► Fig.33

MAINTENANCE

⚠ CAUTION: Always be sure that the tool is switched off and unplugged before attempting to perform inspection or maintenance.

NOTICE: Never use gasoline, benzine, thinner, alcohol or the like. Discoloration, deformation or cracks may result.

To maintain product SAFETY and RELIABILITY, repairs, any other maintenance or adjustment should be performed by Makita Authorized or Factory Service Centers, always using Makita replacement parts.

Air vent cleaning

The tool and its air vents have to be kept clean. Regularly clean the tool's air vents or whenever the vents start to become obstructed.

► **Fig.34:** 1. Exhaust vent 2. Inhalation vent

COMBINATION OF APPLICATIONS AND ACCESSORIES

Optional accessory

⚠ CAUTION: Using the tool with incorrect guards can cause risks as follows.

- When using a cut-off wheel guard for facial grinding, the wheel guard may interfere with the workpiece causing poor control.
- When using a grinding wheel guard for cutting-off operations with bonded abrasive wheels and diamond wheels, there is an increased risk of exposure to rotating wheels, emitted sparks and particles, as well as exposure to wheel fragments in the event of wheel burst.
- When using a cut-off wheel guard or grinding wheel guard for facial operations with cup-type diamond wheels, the wheel guard may interfere with the workpiece causing poor control.
- When using a cut-off wheel guard or grinding wheel guard with a wheel-type wire brush with a thickness greater than the maximum thickness as specified in "SPECIFICATIONS", the wires may catch on the guard leading to breaking of wires.
- Use of dust collecting wheel guards for cutting-off and facial operations in concrete or masonry reduces a risk of exposure to dust.
- When using dual purpose (combined grinding and cutting-off abrasive) flange mounted wheels, only use a cut-off wheel guard.

► Fig.35

Only for model GA4590 / GA4592 / GA5090 / GA5092

-	Application	115 mm (4-1/2") model	125 mm (5") model
1	-	Side grip	
2	-	Wheel Guard (for grinding wheel)	
3	-	Inner flange / Super flange *1*2	
4	Grinding / Sanding	Depressed center wheel / Flap disc	
5	-	Lock nut	
6	-	Ezynut *1*2	
7	-	Back up pad	
8	Grinding / Sanding	Flex wheel	
9	-	Rubber pad 100	Rubber pad 115
10	Sanding	Abrasive disc	
11	-	Sanding lock nut	
12	Wire brushing	Wire wheel brush	
13	Wire brushing	Wire cup brush	
14	Hole cutting	Hole cutter	
15	-	Wheel Guard (for cut-off wheel)	
16	Cutting-off	Abrasive cut-off wheel / Diamond wheel	
17	Grinding / Cutting-off	Dual purpose wheel	
18	-	Clip-on cutting wheel guard attachment *3	
19	-	Dust collecting wheel guard for cutting-off	
20	Cutting-off	Diamond wheel	
21	-	Dust collecting wheel guard for grinding	
22	Grinding	Cup-type diamond wheel	
-	-	Lock nut wrench	
-	-	Dust cover attachment	

Only for model GA4591 / GA5091

	Application	115 mm (4-1/2") model	125 mm (5") model
1	-	Side grip	
2	-	Wheel Guard (for grinding wheel)	
3	-	Inner flange	
4	Grinding / Sanding	Depressed center wheel / Flap disc	
5	-	Lock nut	
6	-	Ezynut *1*2	
7	-	Back up pad	
8	Grinding / Sanding	Flex wheel	
9	-	Rubber pad 100	Rubber pad 115
10	Sanding	Abrasive disc	
11	-	Sanding lock nut	
12	Wire brushing	Wire wheel brush	
13	Wire brushing	Wire cup brush	
14	Hole cutting	Hole cutter	
15	-	Wheel Guard (for cut-off wheel)	
16	Cutting-off	Abrasive cut-off wheel / Diamond wheel	
17	Grinding / Cutting-off	Dual purpose wheel	
18	-	Clip-on cutting wheel guard attachment *3	
19	-	Dust collecting wheel guard for cutting-off	
20	Cutting-off	Diamond wheel	
21	-	Dust collecting wheel guard for grinding	
22	Grinding	Cup-type diamond wheel	
-	-	Lock nut wrench	
-	-	Dust cover attachment	

NOTE: *1 Do not use Super flange and Ezynut together.

NOTE: *2 Only for tools with M14 spindle thread.

NOTE: *3 Clip-on cutting wheel guard attachment is not available in some countries. For more details, refer to the instruction manual of the clip-on cutting wheel guard attachment.

NOTE: Do not use Super flange with a grinder equipped with a brake function.

OPTIONAL ACCESSORIES

⚠ CAUTION: These accessories or attachments are recommended for use with your Makita tool specified in this manual. The use of any other accessories or attachments might present a risk of injury to persons. Only use accessory or attachment for its stated purpose.

If you need any assistance for more details regarding these accessories, ask your local Makita Service Center.

- Accessories listed in "COMBINATION OF APPLICATIONS AND ACCESSORIES"

NOTE: Some items in the list may be included in the tool package as standard accessories. They may differ from country to country.






SPECIFIKATIONER

Modell:		GA4590	GA4591	GA4592	GA5090	GA5091	GA5092
Tillämplig slipskiva	Max. skivdiameter	115 mm			125 mm		
	Max. skivtjocklek	7,2 mm					
Tillämplig kapskiva	Max. skivdiameter	115 mm			125 mm		
	Max. skivtjocklek	3,2 mm					
Tillämplig skivstålborste	Max. skivdiameter	115 mm			125 mm		
	Max. skivtjocklek	20 mm					
Spindelgånga		M14 eller 5/8" (landsspecifikt)					
Max. spindellängd		23 mm					
Varvtal utan belastning (n ₀)/nominellt varvtal (n)		11 500 min ⁻¹					
Total längd		326 mm	349 mm	326 mm	349 mm	326 mm	
Nettovikt		2,6 - 3,8 kg	2,8 - 4,0 kg	2,6 - 3,8 kg	2,8 - 4,0 kg	2,6 - 3,8 kg	
Säkerhetsklass		□/II					

- På grund av vårt pågående program för forskning och utveckling kan dessa specifikationer ändras utan föregående meddelande.
- Specifikationer kan variera mellan olika länder.
- Vikten kan variera beroende på tillbehören. Den lättaste och den tyngsta kombinationen enligt EPTA-procedur 01/2014 visas i tabellen.

Symboler

Följande visar symbolerna som kan användas för utrustningen. Se till att du förstår innebörden innan användning.

	Läs igenom bruksanvisningen.
	Använd skyddsglasögon.
	Använd alltid båda händerna.
	Använd inte sprängskyddet vid kapning.
	DUBBEL ISOLERING



Gäller endast inom EU
P.g.a. förekomsten av farliga komponenter i utrustningen kan begagnad elektrisk och elektronisk utrustning ha negativ inverkan på miljön och människors hälsa. Kassera inte elektriska och elektroniska apparater ihop med hushållsavfall!
I enlighet med EU-direktivet om avfall som utgörs av eller innehåller elektrisk och elektronisk utrustning, och dess införlivande i nationell lagstiftning, bör begagnad elektrisk och elektronisk utrustning samlas in separat och transporteras till en särskild uppsamlingsplats för kommunalt avfall, som drivs i enlighet med regelverket för miljöskydd.
Detta anges av symbolen med den överkryssade soptunnan på hjul som sitter på utrustningen.

Avsedd användning

Verktyget är avsett för slipning, stålborstning, hålskärning och kapning i metall och stenmaterial utan användning av vatten.

Strömförsörjning

Maskinen får endast anslutas till elnät med samma spänning som anges på typplåten och med enfasig växelström. De är dubbelisolerade och får därför också anslutas i ojordade vägguttag.

Buller

Den normala bullernivån för A-belastning är bestämd enligt EN62841-2-3:

Modell	Ljudtrycksnivå (L_{pA}) : (dB(A))	Ljudeffektnivå (L_{WA}) : (dB(A))	Måttolerans (K): (dB(A))
GA4590	93	101	3
GA4591	90	98	3
GA4592	93	101	3
GA5090	93	101	3
GA5091	90	98	3
GA5092	93	101	3

OBS: Det deklarerade bullervärdet har uppmätts i enlighet med standardtestmetoden och kan användas för jämförandet av en maskin med en annan.

OBS: Det deklarerade bulleremissionsvärdet kan också användas i en preliminär bedömning av exponering för vibration.

⚠ VARNING: Använd hörselskydd.

⚠ VARNING: Bulleremissionen under faktisk användning av maskinen kan skilja sig från det deklarerade värdet, beroende på hur maskinen används och särskilt vilken typ av arbetsstycke som behandlas.

⚠ VARNING: Var noga med att identifiera säkerhetsåtgärder för att skydda användaren, vilka är grundade på en uppskattning av graden av exponering för vibrationer under de faktiska användningsförhållandena, (ta, förutom avtryckartiden, med alla delar av användarcykeln i beräkningen, som till exempel tiden då maskinen är avstängd och när den går på tomgång).

⚠ VARNING: Slipning av tunna metallplåtar eller andra lättvibrerande strukturer med stor yta kan resultera i en total bulleremission som är mycket högre (upp till 15 dB) än de deklarerade bulleremissionsvärdena.

Sätt på tunga flexibla dämpningsmattor eller liknande på dessa arbetsstycken för att förhindra att de avger ljud.

Ta hänsyn till den ökade bulleremissionen både vid riskbedömningen av bullerexponering och vid val av lämpliga hörselskydd..

Vibration

Det totala vibrationsvärdet (treaxlad vektorsumma) bestämt enligt EN62841-2-3:

Arbetsläge: planslipning med normalt sidohandtag

Modell	Vibrationsemission ($a_{hv, AG}$) : (m/s ²)	Måttolerans (K): (m/s ²)
GA4590	4,7	1,5
GA4591	5,4	1,5
GA4592	4,7	1,5
GA5090	7,9	1,5
GA5091	7,4	1,5
GA5092	7,9	1,5

Arbetsläge: planslipning med anti-vibrationssidohandtag

Modell	Vibrationsemission ($a_{hv, AG}$) : (m/s ²)	Måttolerans (K): (m/s ²)
GA4590	4,9	1,5
GA4591	5,2	1,5
GA4592	4,9	1,5
GA5090	8,8	1,5
GA5091	8,7	1,5
GA5092	8,8	1,5

Arbetsläge: skivslipning med normalt sidohandtag

Modell	Vibrationsemission ($a_{hr, DS}$) : (m/s^2)	Måttolerans (K): (m/s^2)
GA4590	3,6	1,5
GA4591	3,2	1,5
GA4592	3,6	1,5
GA5090	2,7	1,5
GA5091	2,7	1,5
GA5092	2,7	1,5

Arbetsläge: skivslipning med anti-vibrationssidohandtag

Modell	Vibrationsemission ($a_{hr, DS}$) : (m/s^2)	Måttolerans (K): (m/s^2)
GA4590	3,5	1,5
GA4591	2,9	1,5
GA4592	3,5	1,5
GA5090	2,8	1,5
GA5091	3,0	1,5
GA5092	2,8	1,5

OBS: Det deklarerade totala vibrationsvärdet har uppmätts i enlighet med standardtestmetoden och kan användas för jämförandet av en maskin med en annan.

OBS: Det deklarerade totala vibrationsvärdet kan också användas i en preliminär bedömning av exponering för vibration.

⚠ VARNING: Vibrationsemissionen under faktisk användning av maskinen kan skilja sig från det deklarerade värdet, beroende på hur maskinen används och särskilt vilken typ av arbetsstycke som behandlas.

⚠ VARNING: Var noga med att identifiera säkerhetsåtgärder för att skydda användaren, vilka är grundade på en uppskattning av graden av exponering för vibrationer under de faktiska användningsförhållandena, (ta, förutom avtryckartiden, med alla delar av användarcykeln i beräkningen, som till exempel tiden då maskinen är avstängd och när den går på tomgång).

⚠ VARNING: Det deklarerade vibrationsemissionsvärdet används för maskinens huvudsakliga arbetsuppgifter. Om maskinen används för andra arbetsuppgifter kan däremot vibrationsemissionsvärdet bli annorlunda.

EG-försäkran om överensstämmelse

Gäller endast inom EU

EG-försäkran om överensstämmelse inkluderas som bilaga A till denna bruksanvisning.

SÄKERHETSVARNINGAR

Allmänna säkerhetsvarningar för maskiner

⚠ VARNING: Läs alla säkerhetsvarningar, anvisningar, illustrationer och specifikationer som medföljer det här maskinen. Underlåtenhet att följa instruktionerna kan leda till elstötar, brand och/eller allvarliga personskador.

Spara alla varningar och instruktioner för framtida referens.

Termen "maskin" som anges i varningarna hänvisar till din eldrivna maskin (sladdansluten) eller batteridriven maskin (sladdlös).

Säkerhetsvarningar för slipmaskin

Säkerhetsvarningar för slipnings-, stålborstnings- eller kapningsarbeten:

1. **Det här elverktyget är utformat för att användas för slipning, stålborstning, hålskärning eller kapning. Läs igenom alla säkerhetsvarningar, instruktioner, illustrationer och specifikationer som medföljer detta elverktyg.** Underlåtenhet att följa instruktionerna kan leda till elstötar, brand och/eller allvarliga personskador.
2. **Det här elverktyget rekommenderas inte för poleringsarbeten.** Om elverktyget används till andra arbeten än de avsedda kan det orsaka fara och leda till personskada.
3. **Konstruera inte om detta elverktyg för att fungera på ett sätt som inte är specifikt utformat och specificerat av verktygstillverkaren.** En sådan omkonstruktion kan resultera i att du förlorar kontrollen och leda till allvarliga personskador.
4. **Använd inte tillbehör som inte är specifikt utformat och specificerade av verktygstillverkaren.** Även om ett tillbehör kan fästas på elverktyget garanterar inte detta säker drift.
5. **Tillbehörets nominella varvtal måste vara minst lika med det maximala varvtalet som anges på elverktyget.** Tillbehör som används över det nominella varvtalet kan gå sönder och orsaka skador.

6. **Tillbehörets ytterdiameter och tjocklek måste vara anpassad till elverktygets kapacitetsklassning.** Tillbehör med felaktigt storlek kan inte skyddas eller styras tillräckligt väl.
7. **Måtten på tillbehörfästet måste stämma överens med måtten på monteringsbeslag på elverktyget.** Tillbehör som inte passar exakt på elverktygets monteringsbeslag roterar ojämnt, vibrerar kraftigt och kan leda till att du förlorar kontrollen.
8. **Använd inte ett skadat tillbehör. Kontrollera före varje användning tillbehör som slipskiva efter hack och sprickor, underlagsplattor efter sprickor, revor och slitage samt stålborstar efter lösa eller brutna trådar. Om du tappar elverktyget eller ett tillbehör ska du kontrollera att det inte har uppstått några skador, eller så ska tillbehöret bytas ut mot ett som inte är skadat. Efter kontroll och montering av tillbehör ska du och kringstående personer hålla avstånd från det roterande tillbehörets riktning samtidigt som du kör elverktyget på maximal hastighet utan last i en minut. Skadade tillbehör går normalt sönder under den här testtiden.**
9. **Använd personlig skyddsutrustning. Använd visir, korgglasögon eller skyddsglasögon beroende på arbetsuppgift. Använd vid behov dammskydd, hörselskydd, handskar och skyddsförkläde som stoppar små bitar slipmaterial eller fragment från arbetsstycket. Ögonskyddet måste kunna stoppa flygande fragment som uppstår vid olika tillämpningar. Andningsskyddet måste kunna filtrera partiklar som uppstår från arbetsuppgiften. Långvarig exponering till kraftigt buller kan orsaka hörselskador.**
10. **Håll personer i omgivningen på säkert avstånd från arbetsområdet. Alla som befinner sig i arbetsområdet måste använda skyddsutrustning.** Delar av arbetsstycket eller defekta tillbehör kan slungas ut och skada åskådare även utanför det omedelbara arbetsområdet.
11. **Håll endast elverktyget i de isolerade greppytorna när du utför arbete där kappningstillbehöret kan komma i kontakt med en dold elkabel eller med verktygets kabel.** Om kappningstillbehöret kommer i kontakt med en strömförande ledning blir elverktygets metalldelar strömförande och kan ge operatören en elektrisk stöt.
12. **Placera nätsladden på avstånd från det roterande tillbehöret.** Om du förlorar kontrollen kan nätsladden kapas eller fastna och din hand eller arm kan dras in i det roterande tillbehöret.
13. **Lägg aldrig elverktyget åt sidan förrän det har stannat helt.** Det roterande tillbehöret kan gripa tag i underlaget så att du förlorar kontrollen över elverktyget.
14. **Kör inte elverktyget samtidigt som du bär det med dig.** Oavsiktlig kontakt med det roterande tillbehöret kan leda till att det fastnar i dina kläder och dras in mot kroppen.
15. **Rengör regelbundet elverktygets luftventiler.** Motorns fläkt suger in damm i höljet och överdriven ansamling av pulveriserad metall kan orsaka elektrisk fara.
16. **Använd inte elverktyget i närheten av lättantändliga material.** Gnistor kan antända sådana material.
17. **Använd inte tillbehör som kräver flytande kylmedel.** Att använda vatten eller andra flytande kylmedel kan orsaka dödsfall eller elektriska stötar.

Varningar för bakåtkast och liknande:

Bakåtkast är en plötslig reaktion på en fastnyp eller kärvande roterande skiva, underlagsplatta, borste eller annat tillbehör. Nyp och kärvning orsakar ett snabbt stopp av det roterande tillbehöret vilket i sin tur okontrollerat tvingar elverktyget i motsatt riktning mot tillbehörets rörelse vid kärvningspunkten.

Om till exempel en slipskiva kärvar eller kläms fast av arbetsstycket kan skivans kapande kant gräva sig in i materialytan vid klämpunkten, vilket leder till att skivan klättrar eller kastas tillbaka. Skivan kan antingen hoppa mot eller från användaren, beroende på skivans rörelseriktning vid klämpunkten. Slipskivorna kan även gå sönder under dessa omständigheter.

Bakåtkast beror på ovarsamhet med elverktyget och/eller felaktiga arbetsrutiner eller omständigheter och kan undvikas genom att vidta nedanstående försiktighetsåtgärder.

1. **Se till att hålla elverktyget i ett fast grepp med båda händerna och placera kroppen och din arm på ett sätt som gör att du kan stå emot kraften från bakåtkast. Använd alltid ett extrahandtag, om sådant finns, för maximal kontroll vid bakåtkast eller vridrörelsen vid start.** Användaren kan kontrollera vridrörelsen eller krafterna vid bakåtkast om rätt försiktighetsåtgärder vidtas.
2. **Placera aldrig din hand nära det roterande tillbehöret.** Tillbehöret kan kastas bakåt över din hand.
3. **Ställ dig inte där elverktyget kommer att förflytta sig i händelse av bakåtkast.** Bakåtkast driver verktyget i motsatt riktning till skivans rörelse vid kärvningspunkten.
4. **Var speciellt försiktig när du bearbetar hörn, vassa kanter etc. Undvik att studsa och stöta tillbehöret.** Hörn, skarpa kanter eller studsning har en tendens att klämma det roterande tillbehöret och orsaka förlorad kontroll eller bakåtkast.
5. **Montera inte en sågkedja för träsnideri eller en segmenterad diamantskiva med en segmenthöjd på över 10 mm. Montera inte heller ett tandat sågblad.** Sådana blad orsakar ofta bakåtkast och förlorad kontroll.

Säkerhetsvarningar för slipnings- och kappningsarbeten:

1. **Använd endast de skivor som rekommenderas för ditt elverktyg och det särskilda sprängskyddet för den valda skivan.** Skivor som inte tillverkats för elverktyget kan inte skyddas tillräckligt och är inte säkra.
2. **Slipytan på skivor med försänkt centrumhål måste monteras under planet från sprängskyddets kant.** En felaktigt monterad skiva som sticker utanför planet från sprängskyddets kant är inte tillräckligt skyddad.
3. **Sprängskyddet måste vara ordentligt fäst vid elverktyget och placerat för maximal säkerhet, så att minsta möjliga yta av skivan är öppen mot användare.** Sprängskyddet skyddar användaren mot trasiga skivdelar, oavsiktlig kontakt med skivan och gnistor som kan antända kläder.
4. **Skivor får endast användas för angivna arbetsuppgifter. Till exempel: Slipa inte med sidan av en kapskiva.** Slipande kapskivor är avsedda för periferislipning. Sidokrafter kan spränga sådana skivor.

5. **Använd alltid oskadade skivflänsar i rätt storlek och form till din skiva.** Rätt skivflänsar stöder skivan och minskar därigenom risken för att skivan går sönder. Flänsar till kapskivor kan skilja sig från flänsar till slipskivor.
6. **Använd inte nedslitna skivor från större elverktyg.** Skivor avsedda för större elverktyg är inte lämpliga för mindre elverktogs högre varvtal och kan spricka.
7. **Använd alltid rätt skydd för arbetsuppgiften när skivor med dubbel funktion.** Underlåtenhet att använda rätt skydd kanske inte ger önskad skyddsnivå, vilket kan leda till allvarliga skador.

Ytterligare särskilda säkerhetsvarningar för kapningsarbeten:

1. **"Pressa" inte kapskivan eller utsätt den för överdrivet tryck. Försök inte att göra ett alltför stort kapdjup.** Om skivan överbelastas ökar belastningen och risken för att skivan vrids eller fastnar i kapet samt risken för bakåtkast eller att skivan går sönder.
2. **Placera inte din kropp längs med eller bakom den roterande skivan.** När skivan rör sig ifrån dig vid ingreppspunkten, kan ett bakåtkast skicka den roterande skivan och elverktyget mot dig.
3. **Om skivan kärvar eller om ett kap av någon anledning avbryts stänger du av elverktyget och håller det stilla tills skivan har stannat helt. Försök aldrig att ta ut kapskivan ur skåret när skivan är i rörelse, då detta kan orsaka bakåtkast.** Undersök och vidta korrigeringsåtgärder för att eliminera orsaken till att skivan fastnar.
4. **Starta inte om kapningen med tillbehöret kvar i arbetsstycket. Låt skivan uppnå full hastighet och för den varsamt in i spåret igen.** Skivan kan fastna, vandra uppåt eller kastas bakåt om elverktyget startas om i arbetsstycket.
5. **Stötta långa eller stora arbetsstycken för att minimera risken för att skivan fastnar och kastas bakåt.** Stora arbetsstycken tenderar att svikta på grund av sin egen vikt. Stöd måste placeras under arbetsstycket nära såglinjen och nära arbetsstyckets kanter på båda sidorna om skivan.
6. **Var extra försiktig vid genomstickssågning i en befintlig vägg eller andra dolda utrymnen.** Den utskjutande skivan kan kapa gas- eller vattenledning, elledningar eller föremål som kan orsaka bakåtkast.
7. **Försök inte att kapa i en kurva.** Om skivan överbelastas ökar belastningen och risken för att skivan vrids eller fastnar i kapet samt risken för bakåtkast eller att skivan går sönder, vilket kan leda till allvarliga personskador.
8. **Innan du använder en segmenterad diamantskiva ska du se till att diamantskivan har en segmenthöjd på högst 10 mm, endast med negativ spånvinkel.**

Särskilda säkerhetsvarningar för sliparbeten:

1. **Använd runda slippapper av rätt storlek. Följ tillverkarens rekommendationer när du väljer slippapper.** Större slippapper som sticker ut för långt utanför slipplattan ger risk för rivsår och kan orsaka kärvning, revor i skivan eller bakåtkast.

Särskilda säkerhetsvarningar för stålborstningsarbeten:

1. **Var uppmärksam på att trådbitar kastas ut från borsten även vid normal användning. Överbelasta inte trådarna genom att anlägga onödigt stor kraft mot borsten.** Trådarna kan enkelt gå igenom tunnare klädsel och/eller huden.
2. **Om användning av skydd specificeras för stålborstning får inte borstskivan eller borsten gå emot skyddet.** Borstskivan eller borstens diameter kan expandera på grund av belastningen eller centrifugalkraften.

Ytterligare säkerhetsvarningar:

1. **Vid användning av nedsänkta center-rondeller ska endast glasfiberförstärkta rondeller användas.**
2. **ANVÄND ALDRIG sten-skålskivor med denna slipmaskin.** Denna slipmaskin är inte konstruerad för denna typ av skivor och användningen av dessa kan resultera i allvarlig personskada.
3. **Var försiktig så att inte spindeln, flänsen (i synnerhet monteringsytan) eller låsmuttern skadas. Skador på någon av dessa delar kan medföra att rondellen förstörs.**
4. **Se till att rondellen inte är i kontakt med arbetsstycket när du trycker på avtryckaren.**
5. **Låt verktyget vara igång en stund innan det används på arbetsstycket. Kontrollera att skivan inte vibrerar eller skakar, vilket kan innebära att den är felaktigt monterad eller dåligt balanserad.**
6. **Slipa endast med den del av rondellen som är avsedd för slipning.**
7. **Lämna inte maskinen igång. Använd endast maskinen när du håller den i händerna.**
8. **Rör inte vid arbetsstycket omedelbart efter arbetet. Det kan vara extremt varmt och orsaka brännskador.**
9. **Rör inte vid tillbehör omedelbart efter arbetet. Det kan vara extremt varmt och orsaka brännskador.**
10. **Följ tillverkarens anvisningar för korrekt montering och användning av rondeller. Hantera rondellerna varsamt och förvara dem på en säker plats.**
11. **Använd inte separata reducerhylsor eller adapter för att kunna använda sliprondeller med större hål.**
12. **Använd endast flänsar som är avsedda för den här maskinen.**
13. **Kontrollera att gänglängden i rondellen är tillräckligt lång för spindelängden om rondellen är avsedd att gängas fast.**
14. **Kontrollera att arbetsstycket är ordentligt fastsatt.**
15. **Tänk på att rondellen fortsätter att rotera efter att maskinen stängts av.**
16. **Om arbetsplatsen är extremt varm och fuktig, eller har hög koncentration av elektriskt ledande damm, ska jordfelsbrytare (30 mA) användas för användarens säkerhet.**
17. **Använd inte maskinen för material som innehåller asbest.**

18. Använd alltid det dammuppsamlade sprängskyddet när du arbetar med en kapskiva om så krävs enligt nationella regler.
19. Kapskivor får inte utsättas för sidkrafter.
20. Använd inte arbetshandskar i tyg när du arbetar med maskinen. Fibrer från tyghandskar kan komma in i maskinen och orsaka fel.
21. Innan användning måste du se till att det inte finns några begravnade föremål som elrör, vattenrör eller gasrör i arbetsstycket. Annars kan det orsaka elstöt, elektriskt läckage eller gasläcka.
22. Ta inte bort skivunderlägget om ett sådant sitter på skivan. Diametern på skivunderlägget måste vara större än låsmuttern, den yttre flänsen och den inre flänsen.
23. Innan slipskivan monteras, kontrollera alltid att inte några delar av skivunderlägget har avvikelser så som hack eller sprickor.
24. Dra åt låsmuttern ordentligt. För hård åtdragning av skivan kan orsaka brott och otillräcklig åtdragning kan orsaka fladdrande.

SPARA DESSA ANVISNINGAR.

⚠ VARNING: GLÖM INTE att också fortsättningsvis strikt följa säkerhetsanvisningarna för maskinen även efter att du blivit van att använda den. Vid FELAKTIG HANTERING av maskinen eller om inte säkerhetsanvisningarna i denna bruksanvisning följs kan följden bli allvarliga personskador.

FUNKTIONSBESKRIVNING

⚠ FÖRSIKTIGT: Se alltid till att maskinen är avstängd och nätsladden urdragen innan du justerar eller funktionskontrollerar maskinen.

Verkygsskyddssystem

Verktyget är utrustat med ett verktygsskyddssystem. Det här systemet minskar eller bryter automatiskt strömmen till motorn för att förlänga verktygets livslängd. Verktöget minskar eller stoppar automatiskt strömmen under användningen om verktyget hamnar i en av följande situationer:

Överbelastningsskydd

Om maskinen används på ett sätt som gör att den drar onormalt mycket ström kommer verktyget att minska strömmen automatiskt utan indikering. Om detta sker ska du avlägsna orsaken till överbelastningen så att rotationsvarvtalet återställs.

Överhettningsskydd

Landsspecifikt

När verktyget överhettas stoppas det automatiskt och indikatorlampan blinkar rött. Låt i sådana fall verktyget svalna. Du kan slå på verktyget igen när lampan har bytt färg från rött till grönt.

Indikatorlampan

► Fig.1: 1. Indikatorlampan

Indikatorlampan lyser grönt när verktyget är inkopplat. Om indikatorlampan blinkar rött förhindras drift av antingen överhettningsskyddet, den aktiva tekniken för avkänning av återkoppling eller funktionen för att förhindra oavsiktlig omstart. Stäng i så fall av verktyget. Starta därefter upp verktyget igen för att starta om. Om indikatorlampan lyser rött efter det att verktyget har stängts av är verktyget överhettat. Låt i så fall verktyget svalna och vänta tills indikatorlampan lyser grönt.

Ratt för hastighetsinställning

Endast för modell GA4590 / GA4591 / GA5090 / GA5091

⚠ FÖRSIKTIGT: Om verktyget används oavbrutet i låg hastighet under en lång period blir motorn överbelastad och överhettad.

⚠ FÖRSIKTIGT: Ratten för hastighetsinställning kan endast vridas upp till 5 och tillbaka till 1. Tvinga den inte förbi 5 eller 1, eftersom hastighetsinställningen då kan sättas ur funktion.

Rotationshastigheten kan ändras genom att vrida på ratten för hastighetsinställning till ett värde mellan 1 och 5. Hastigheten blir högre när ratten vrids mot siffran 5. En lägre hastighet erhålls när den vrids mot siffran 1. I nedanstående tabell visas sambandet mellan inställningssiffran på ratten och ungefärlig rotationshastighet.

Nummer	Nominellt varvtal
1	2 800 min ⁻¹
2	4 500 min ⁻¹
3	6 500 min ⁻¹
4	8 000 min ⁻¹
5	11 500 min ⁻¹

► Fig.2: 1. Ratt för hastighetsinställning

Spindellås

⚠ VARNING: Aktivera aldrig spindellåset medan spindeln rör sig. Det kan orsaka allvarliga personskador eller skador på verktyget.

Tryck ned spindellåset för att förhindra att spindeln roterar när du monterar eller tar bort tillbehör.

► Fig.3: 1. Spindellås

Avtryckarens funktion

⚠ FÖRSIKTIGT: Innan du ansluter verktyget till elnätet ska du kontrollera att skjutreglaget fungerar och återgår till läget "OFF" när du trycker på den bakre delen av knappen.

⚠ FÖRSIKTIGT: Knappen kan låsas i läget "ON" för att underlätta användning när verktyget används under en längre tid. Iaktta försiktighet när du låser verktyget i läget "ON" och fortsatt att hålla ett stadigt grepp om verktyget.

Starta verktyget genom att trycka ner skjutreglaget bakånda och sedan skjuta den mot läget "I (PA)". För oavbruten körning trycker du på skjutreglagets framände så det blir låst.

► **Fig.4:** 1. Skjutknapp

Stoppa verktyget genom att trycka på skjutreglagets bakånda så att det återgår till läget "O (AV)".

► **Fig.5:** 1. Skjutreglage

Elektronisk funktion

Aktiv teknik för avkänning av återkoppling

⚠ FÖRSIKTIGT: Håll verktyget stadigt tills rotationen upphör.

Verktyget identifierar situationer på elektronisk väg där hjul eller tillbehör riskerar att fastna. I en sådan situation stänger verktyget automatiskt av strömmen för att förhindra att spindeln roterar ytterligare (emellertid förhindras inte bakåtkast).

Om detta inträffar blinkar indikatorlampan rött och visar att den aktiva tekniken för avkänning av återkoppling är igång.

För att starta om maskinen stänger du först av den, avlägsnar orsaken till den plötsliga minskningen av rotationshastigheten, och slår sedan på maskinen igen.

Funktion för att förhindra oavsiktlig omstart

Om verktyget kopplas in när brytaren är i läget ON startar inte verktyget.

I detta läge blinkar indikatorlampan rött för att visa att funktionen för att förhindra oavsiktlig omstart fungerar.

Starta verktyget genom att stänga av brytaren och sedan slå på den igen.

Konstant hastighetskontroll

Det är möjligt att få en fin finish eftersom rotationshastigheten hålls konstant även vid hög belastning.

Mjukstartfunktion

Mjukstartfunktionen dämpar startchocken.

Mekanisk broms

Endast för modell GA4591 / GA5091

Den mekaniska bromsen aktiveras när verktyget stängs av.

Bromsen fungerar inte när strömförsörjningen stängs av med brytaren aktiverad.

MONTERING

⚠ FÖRSIKTIGT: Se alltid till att maskinen är avstängd och nåtssladden urdragen innan maskinen repareras.

Montera sidohandtaget

⚠ FÖRSIKTIGT: Kontrollera alltid att sidohandtaget sitter fast ordentligt innan arbetet påbörjas.

Skruva fast sidohandtaget ordentligt på rätt plats på maskinen enligt figuren.

► **Fig.6**

Montera eller demontera sprängskyddet

⚠ VARNING: När en sliprondell med försänkt nav, lamellslipkiva, flexibel rondell eller skivstålborste används måste sprängskyddet monteras på maskinen så att den slutna sidan alltid är vänd mot användaren.

⚠ VARNING: Se till att sprängskyddet är ordentligt låst med låsspaken med ett av hålen i sprängskyddet.

⚠ VARNING: Vid användning av en kap-/diamantskiva ska du vara noga med att endast använda det speciella sprängskydd som är avsett för användning tillsammans med kapskivor.

För rondell med försänkt navrondell, lamellskiva, flexibel rondell, skivstålborste/kapskiva, diamantskiva

1. När du trycker på låsspaken monterar du sprängskyddet så att de utskjutande delarna på sprängskyddets band passar in i uttagen på lagerhuset.

► **Fig.7:** 1. Låsspak 2. Skåra 3. Utsprång

2. Tryck in låsspaken mot A och håll samtidigt ner delarna B på sprängskyddet enligt bilden.

► **Fig.8:** 1. Sprängskydd 2. Hål

OBS: Tryck sprängskyddet rakt nedåt. Annars kan du inte säkra sprängskyddet.

3. Medan du trycker låsspaken mot A vrider du sprängskyddet mot C, och därefter ändrar du vinkeln på sprängskyddet i enlighet med arbetsstycket så att operatören skyddas. Passa in låsspaken med ett av hålen i sprängskyddet, och lossa sedan låsspaken för att låsa sprängskyddet.

► **Fig.9:** 1. Sprängskydd 2. Hål

Gör på omvänt sätt för att ta bort sprängskyddet.

Sprängskyddstillbehör för kapning med klämma

Valfria tillbehör

OBS: För kapningsarbeten kan ett sprängskyddstillbehör för kapning med klämma användas med sprängskyddet (för slipskivor).

Ej tillgängligt i alla länder.

► Fig.10

Montera eller ta bort sliprondell med försänkt nav eller lamellslipskiva

Valfria tillbehör

⚠ VARNING: När en sliprondell med försänkt nav eller lamellslipskiva används, måste sprängskyddet monteras på maskinen så att den slutna sidan alltid är vänd mot användaren.

⚠ VARNING: Se till att den monterade delen av den inre flänsen passar perfekt in i den inre diametern av den försänkta navrondellen/lamellslipskivan. Montering av den inre flänsen på fel sida kan leda till farliga vibrationer.

Montera den inre flänsen på spindeln.

Se till att den buktade delen av den inre flänsen monteras på den raka delen längst ned på spindeln.

Passa in den försänkta navrondellen/lamellslipskivan på den inre flänsen och skruva på låsmuttern på spindeln.

► **Fig.11:** 1. Låsmutter 2. Försänkt navrondell 3. Inre fläns 4. Monteringsdel

Tryck in spindellåset ordentligt för att dra fast låsmuttern så att spindeln inte kan rotera. Använd sedan tappnyckeln för att dra åt ytterligare.

► **Fig.12:** 1. Tappnyckel för låsmutter 2. Spindellås

Gör på omvänt sätt för att ta bort rondellen.

Montera eller ta bort flexibel rondell

Valfria tillbehör

⚠ VARNING: Använd alltid det medföljande skyddet när en flexibel rondell är monterad på maskinen. Skivan kan splittras under användningen och skyddet minskar risken för personskador.

► **Fig.13:** 1. Låsmutter 2. Flexibel rondell 3. Stödplatta 4. Inre fläns

Följ anvisningarna för nedsänkt centrumhål, men använd även en stödplatta över skivan.

Montera eller ta bort sliprondell

Valfria tillbehör

► **Fig.14:** 1. Låsmutter för slipning 2. Sliprondell 3. Gummidyna

1. Fäst gummidynan på spindeln.
2. Passa in rondellen över gummidynan och skruva fast låsmuttern för slipning på spindeln.
3. Håll i spindeln med spindellåset och dra åt låsmuttern för slipning ordentligt med tappnyckeln.

Följ monteringsanvisningarna i omvänd ordning för att ta bort rondellen.

OBS: Använd endast slipningstillbehör som specificeras i denna bruksanvisning. Dessa måste köpas separat.

Superfläns

Valfria tillbehör

Endast för modell GA4590 / GA4592 / GA5090 / GA5092

Superflänsar är specialtillbehör för modeller som INTE är utrustade med en bromsfunktion.

Endast 1/3 ansträngning behövs för att lossa muttern jämfört med en konventionell typ.

Montering eller demontering av Ezynut

Valfria tillbehör

Endast för maskiner med M14-spindelgänga.

⚠ FÖRSIKTIGT: Använd inte Ezynut med en superfläns. Dessa flänsar är så tjocka att hela gängan inte kan hållas kvar av spindeln.

Montera innerflänsen, slipskivan och Ezynut på spindeln så att Makitas logotyp på Ezynut är vänd utåt.

► **Fig.15:** 1. Ezynut 2. Sliprondell 3. Inre fläns 4. Spindel

Tryck in spindellåset och dra åt Ezynut genom att vrida slipskivan medurs så långt som den går att vrida.

► **Fig.16:** 1. Spindellås

Vrid ytterringen på Ezynut moturs för att lossa Ezynut.

OBS: Ezynut kan lossas för hand så länge som pilen är riktad mot skärn. Annars behövs det en tappnyckel för att lossa den. Sätt i en av tappnyckelns stift i ett av hålen och vrid Ezynut moturs.

► **Fig.17:** 1. Pil 2. Spår

► **Fig.18**

Installation av kap-/diamantskiva

Valfria tillbehör

⚠ VARNING: Vid användning av en kap-/diamantskiva ska du vara noga med att endast använda det speciella sprängskydd som är avsett för användning tillsammans med kapskivor.

⚠ VARNING: Använd ALDRIG kapskivor för sidoslipning.

► **Fig.19:** 1. Låsmutter 2. Kap-/diamantskiva 3. Inre fläns 4. Sprängskydd för kap-/diamantskiva

Följ anvisningarna för den försänkta navrondellen för montering. Riktningen för att montera låsmuttern och den inre flänsen varierar beroende på skivans typ och tjocklek. Se följande figurer.

När du monterar kapskivan:

► **Fig.20:** 1. Låsmutter 2. Kapskiva (tunnare än 4 mm) 3. Kapskiva (4 mm eller tjockare) 4. Inre fläns

När du monterar diamantskivan:

► **Fig.21:** 1. Låsmutter 2. Diamantskiva (tunnare än 4 mm) 3. Diamantskiva (4 mm eller tjockare) 4. Inre fläns

Installation av skålformad stålborste

Valfria tillbehör

⚠ FÖRSIKTIGT: Använd inte en borste som är skadad eller obalanserad. Användning av en skadad borste kan öka risken för skador på grund av kontakt med trasiga borstrådar.

Placera verktyget upp och ned för att få enkel åtkomst till spindeln.

Ta bort eventuella tillbehör på spindeln. Trä den skålformade stålborsten på spindeln och dra åt med medföljande nyckel.

► **Fig.22:** 1. Skålformad stålborste

Installation av skivstålborste

Valfria tillbehör

⚠ FÖRSIKTIGT: Använd inte en skivstålborste som är skadad eller obalanserad. Användning av en skadad skivstålborste kan öka risken för skador på grund av kontakt med trasiga borstrådar.

⚠ FÖRSIKTIGT: Använd ALLTID skydd tillsammans med skivstålborstar och kontrollera att skivdiametern passar innanför skyddet. Skivan kan splittras under användningen och skyddet minskar risken för personsador.

Placera verktyget upp och ned för att få enkel åtkomst till spindeln.

Ta bort eventuella tillbehör på spindeln. Montera skivstålborsten på spindeln och dra åt med nycklarna.

► **Fig.23:** 1. Skivstålborste

Montera en hålskärare

Valfria tillbehör

Placera verktyget upp och ned för att få enkel åtkomst till spindeln.

Ta bort eventuella tillbehör från spindeln. Gänga på hålskäraren på spindeln och dra åt den med den medföljande skiftnyckeln.

► **Fig.24:** 1. Hålskärare

Montera ett dammuppsamlande sprängskydd för slipning

Valfria tillbehör

Med valfria tillbehör kan du använda detta verktyg för att hyvla betongytor.

⚠ FÖRSIKTIGT: Det dammuppsamlande sprängskyddet för offset-diamantskivan används endast vid betonghyvling med diamantskiva. Använd inte detta sprängskydd med andra kapningstillbehör eller för andra användningsområden.

⚠ FÖRSIKTIGT: Se till att dammsugaren är ansluten till verktyget och påslagen innan användning.

Placera verktyget upp och ned och montera det dammuppsamlande sprängskyddet.

Montera den inre flänsen på spindeln.

Passa in diamantskivan av skåltyp på den inre flänsen och dra åt låsmuttern på spindeln.

► **Fig.25:** 1. Låsmutter 2. Diamantskiva av kopptyp 3. Diamantskiva av navkapseltyp 4. Inre fläns 5. Dammuppsamlande sprängskydd 6. Lagerhus

OBS: Information om hur man installerar det dammuppsamlande sprängskyddet finns i dess bruksanvisning.

Montera ett dammuppsamlande sprängskydd för kapning

Valfria tillbehör

Med valfria tillbehör kan du använda detta verktyg för att kapa stenmaterial.

► **Fig.26**

OBS: Information om hur man installerar det dammuppsamlande sprängskyddet finns i dess bruksanvisning.

Ansluta en dammsugare

Valfria tillbehör

⚠ VARNING: Dammsug aldrig metallpartiklar från slipning/kapning. Metallpartiklar från dylik bearbetning är så varma att de kan antända filtret inne i dammsugaren.

Använd ett sprängskydd med dammuppsamlare och en dammsugare för att undvika dammiga miljöer orsakade av sågning i trä.

Se bruksanvisningen som är fäst på sprängskyddets dammuppsamlare för montering och användning.

► **Fig.27:** 1. Dammuppsamlande sprängskydd 2. Slang på dammsugare

Montering eller demontering av dammskyddstillbehör

Valfria tillbehör

⚠ FÖRSIKTIGT: Se alltid till att verktyget är avstängt och att nåtsladden är utdragen innan du monterar eller demonterar dammskyddstillbehöret. Underlåtenhet att göra detta orsakar skador på verktyget eller personsador.

Installera dammskyddstillbehör på varje angivet läge. Detaljerad information finns i bruksanvisningen till dammskyddstillbehöret.

OBSERVERA: Torka ur dammskyddstillbehöret när det är igensatt med damm eller främmande material. Fortsatt användning med ett igensatt dammskyddstillbehör skadar verktyget.

ANVÄNDNING

⚠ VARNING: Tänk på att aldrig tvinga maskinen. Maskinens vikt ska utgöra ett tillräckligt tryck. Tvång eller överdrivet tryck kan resultera i farliga rondellbrott.

⚠ VARNING: Byt ALLTID ut rondellen om den har tappats under slipning.

⚠ VARNING: Slå ALDRIG med rondellen på arbetsstycket.

⚠ VARNING: Undvik att studsas eller hacka med rondeller, i synnerhet i närheten av hörn, skarpa kanter osv. Det är lätt att i dessa situationer förlora kontrollen över maskinen så att den kastas bakåt.

⚠ VARNING: Använd ALDRIG maskinen med sågklingor avsedda för trä eller andra sågblad. Att använda sådana klingor i slipmaskiner innebär stor risk för bakåtkast som kan förorsaka personskador.

⚠ VARNING: Fortsatt användning av en utsliten skiva kan leda till att skivan exploderar och till allvarlig personskada.

⚠ FÖRSIKTIGT: Starta aldrig maskinen när denna är i kontakt med arbetsstycket. Det kan orsaka personskador.

⚠ FÖRSIKTIGT: Använd alltid skyddsglasögon eller visir under arbetet.

⚠ FÖRSIKTIGT: När du är klar med arbetet ska du vänta tills rondellen stannat helt innan du lägger maskinen åt sidan.

⚠ FÖRSIKTIGT: Håll ALLTID maskinen i ett fast grepp med ena handen på huset och den andra på sidohandtaget.

OBS: En skiva med dubbel funktion kan användas för både slipnings- och kapningsarbeten.

Läs "Användning med rondell/skiva" för slipningsarbeten och "Användning av kap-/diamantskiva" för kapningsarbeten.

Användning med rondell/skiva

► Fig.28

Starta maskinen och för rondellen eller skivan mot arbetsstycket.

I allmänhet är det lämpligt att hålla kanten på skivan/rondellen i ungefär 15° vinkel mot arbetsstycket.

Under inkörning av en ny skiva/rondell ska slipmaskinen inte föras i en framåtriktning eftersom den då kan köra fast i arbetsstycket. När kanten på skivan/rondellen har rundats av kan den användas i båda riktningarna (framåt och bakåt).

Användning av kap-/diamantskiva

Valfria tillbehör

⚠ VARNING: "Pressa" inte skivan eller utsätt den för överdrivet tryck. Försök inte att göra ett alltför stort kapdjup. Överbelastning av skivan ökar trycket och risken för att skivan vrids eller fastnar i skåret vilket kan orsaka bakåtkast, sprucken skiva och överhettad motor.

⚠ VARNING: Starta inte skärningen med maskinen i arbetsstycket. Låt skivan komma upp i full hastighet och för den försiktigt in i skåret genom att föra maskinen framåt över arbetsstyckets yta. Kapskivan kan fastna, vandra uppåt eller kastas bakåt om elverktyget startas om i arbetsstycket.

⚠ VARNING: Under skärningen får skivans vinkel aldrig ändras. Sidotryck på kapskivan (som vid slipning) medför att skivan spricker och sprängs, vilket kan leda till svåra personskador.

⚠ VARNING: En diamantskiva ska arbetas vinkelrätt mot det material som ska kapas.

Användningsexempel: användning med slipande kapskiva

► Fig.29

Användningsexempel: användning med diamantskiva

► Fig.30

Användning av den skålformade stålborsten

Valfria tillbehör

⚠ FÖRSIKTIGT: Kontrollera hur borsten fungerar genom att köra maskinen utan belastning och försäkra dig om att ingen finns framför eller i linje med borsten.

Användningsexempel: användning med skålformad stålborste

► Fig.31

OBSERVERA: Undvik att använda för mycket tryck vilket gör att trådarna böjs för mycket vid användning av borsten. Det kan leda till att borsten förbrukas i förtid.

Användning av skivstålborsten

Valfria tillbehör

⚠ FÖRSIKTIGT: Kontrollera hur skivstålborsten fungerar genom att köra maskinen utan belastning och försäkra dig om att ingen finns framför eller i linje med skivstålborsten.

Användningsexempel: användning med skivstålborste

► Fig.32

OBSERVERA: Undvik att använda för mycket tryck vilket gör att trådarna böjs för mycket vid användning av skivstålborsten. Det kan leda till att borsten förbrukas i förtid.

Användning med hålskärare

Valfria tillbehör

⚠ FÖRSIKTIGT: Kontrollera hur hålskäraren fungerar genom att köra verktyget utan belastning och försäkra dig om att ingen finns framför eller i linje med hålskäraren.

OBSERVERA: Luta inte verktyget under drift. Det kan leda till för tidigt brott.

Användningsexempel: användning med hålskärare

► Fig.33

UNDERHÅLL

⚠ FÖRSIKTIGT: Se alltid till att maskinen är avstängd och nätkabeln urdragen innan inspektion eller underhåll utförs.

OBSERVERA: Använd inte bensen, förtunningsmedel, alkohol eller liknande. Missfärgning, deformation eller sprickor kan uppstå.

För att upprätthålla produktens SÄKERHET och TILLFÖRLITLIGHET bör allt underhålls- och justeringsarbete utföras av ett auktoriserat Makita servicecenter och med reservdelar från Makita.

Rengöring av ventilationsöppningar

Håll maskinen och luftventilerna rena. Rengör maskinens ventiler regelbundet eller så snart ventilationen försämras.

► Fig.34: 1. Utblås 2. Inlopp

KOMBINATION AV ANVÄNDNINGSMRÅDEN OCH TILLBEHÖR

Extra tillbehör

⚠ FÖRSIKTIGT: Användning av verktyget med felaktiga skydd kan orsaka risker enligt följande.

- Om ett sprängskydd för kapning används för ytslipning kan sprängskyddet vara i vägen för arbetsstycket och orsaka dålig kontroll.
- Om ett sprängskydd för slipning används för kapningsarbeten med förstärkta slipskivor och diamantskivor ökas risken för exponering till den roterande skivan, avgivna gnistor och partiklar, samt exponering till skivfragment i händelse av brott på skivan.
- Om ett sprängskydd för kapning eller ett sprängskydd för ytslipning används med diamantskivor av skåltyp kan sprängskyddet vara i vägen för arbetsstycket och orsaka dålig kontroll.
- Om ett sprängskydd för kapning eller ett sprängskydd för slipning används med en skivstålborste med en tjocklek större än den specificerade maximala tjockleken i "SPECIFIKATIONER" kan trådarna fastna på skyddet och göra att trådarna bryts.
- Om dammuppsamlade sprängskydd används för kapning och ytarbeten på betong och murverk minskar risken för exponering till damm.
- Om flänsmonterade skivor med dubbel funktion (kombinerad slip- och kapskiva) används får endast ett sprängskydd för kapning användas.

► Fig.35

Endast för modell GA4590 / GA4592 / GA5090 / GA5092

-	Användningsområde	Modell med 115 mm	Modell med 125 mm
1	-	Sidohandtag	
2	-	Sprängskydd (för slipskiva)	
3	-	Inre fläns/superfläns *1*2	
4	Slipning	Försänkt navrondell/lamellskiva	
5	-	Låsmutter	
6	-	Ezynut *1*2	
7	-	Stödplatta	
8	Slipning	Flexibel rondell	
9	-	Gummiplatta 100	Gummiplatta 115
10	Slipning med papper	Sliprondell	
11	-	Låsmutter för slipning med papper	
12	Stålborstning	Skivstålborste	
13	Stålborstning	Skålformad stålbörste	
14	Hålskärning	Hålskärare	
15	-	Sprängskydd (för kapskiva)	
16	Kapning	Slipande kapskiva/diamantskiva	
17	Slipning/kapning	Skiva med dubbel funktion	
18	-	Sprängskyddstillbehör för kapning med klämma *3	
19	-	Dammuppsamlade sprängskydd för kapning	
20	Kapning	Diamantskiva	
21	-	Dammuppsamlade sprängskydd för slipning	
22	Slipning	Diamantskiva av skåltyp	
-	-	Tappnyckel för låsmutter	
-	-	Dammskyddstillbehör	

	Användningsområde	Modell med 115 mm	Modell med 125 mm
1	-	Sidohandtag	
2	-	Sprängskydd (för slipskiva)	
3	-	Inre fläns	
4	Slipning	Försänkt navrondell/lamellskiva	
5	-	Låsmutter	
6	-	Ezynut *1*2	
7	-	Stödplatta	
8	Slipning	Flexibel rondell	
9	-	Gummiplatta 100	Gummiplatta 115
10	Slipning med papper	Sliprondell	
11	-	Låsmutter för slipning med papper	
12	Stålborstning	Skivstålborste	
13	Stålborstning	Skålformad stålbörste	
14	Hålskärning	Hålskärare	
15	-	Sprängskydd (för kapskiva)	
16	Kapning	Slipande kapskiva/diamantskiva	
17	Slipning/kapning	Skiva med dubbel funktion	
18	-	Sprängskyddstillbehör för kapning med klämma *3	
19	-	Dammuppsamlande sprängskydd för kapning	
20	Kapning	Diamantskiva	
21	-	Dammuppsamlande sprängskydd för slipning	
22	Slipning	Diamantskiva av skåltyp	
-	-	Tappnyckel för låsmutter	
-	-	Dammskyddstillbehör	

OBS: *1 Använd inte superfläns och Ezynut tillsammans.

OBS: *2 Endast för verktyg med M14-spindelgånga.

OBS: *3 Sprängskyddstillbehör för kapning med klämma är inte tillgängliga i vissa länder. Detaljerad information finns i bruksanvisningen till sprängskyddstillbehöret för kapning med klämma.

OBS: Använd inte superflänsen med en slipmaskin utrustad med bromsfunktion.

VALFRIA TILLBEHÖR

⚠ FÖRSIKTIGT: Följande tillbehör eller tillsatser rekommenderas för användning med den Makita-maskin som denna bruksanvisning avser. Om andra tillbehör eller tillsatser används kan det uppstå risk för personskador. Använd endast tillbehören eller tillsatserna för de syften de är avsedda för.

Kontakta ditt lokala Makita servicecenter om du behöver ytterligare information om dessa tillbehör.

- Tillbehör i "KOMBINATION AV ANVÄNDNINGSSOMRÅDEN OCH TILLBEHÖR"

OBS: Några av tillbehören i listan kan vara inkluderade i maskinpaketet som standardtillbehör. De kan variera mellan olika länder.




TEKNISKE DATA

Modell:		GA4590	GA4591	GA4592	GA5090	GA5091	GA5092
Kompatibel slipeskive	Maks. skivediameter	115 mm			125 mm		
	Maks. skivetykkelse	7,2 mm					
Kompatibel kappeskive	Maks. skivediameter	115 mm			125 mm		
	Maks. skivetykkelse	3,2 mm					
Kompatibel rundbørste	Maks. skivediameter	115 mm			125 mm		
	Maks. skivetykkelse	20 mm					
Spindelgjenger		M14 eller 5/8" (landsspesifikt)					
Maks. spindellengde		23 mm					
Hastighet uten belastning (n ₀) / nominell hastighet (n)		11 500 min ⁻¹					
Total lengde		326 mm	349 mm	326 mm	349 mm	326 mm	
Nettovekt		2,6 – 3,8 kg	2,8 – 4,0 kg	2,6 – 3,8 kg	2,8 – 4,0 kg	2,6 – 3,8 kg	
Sikkerhetsklasse		□/II					

- På grunn av vårt kontinuerlige forsknings- og utviklingsprogram kan spesifikasjonene som oppgis i dette dokumentet endres uten varsel.
- Spesifikasjonene kan variere fra land til land.
- Vekten kan variere avhengig av tilbehøret/tilbehørene. Den letteste og tyngste kombinasjonen, i henhold til EPTA-prosedyre 01/2014, vises i tabellen.

Symboler

Nedenfor ser du symbolene som kan brukes for dette utstyret. Forviss deg om at du forstår hva de betyr, før du begynner å bruke maskinen.

	Les bruksanvisningen.
	Bruk vernebriller.
	Må alltid betjenes med to hender.
	Ikke bruk beskyttelseskappen ved kappearbeid.
	DOBBEL ISOLERING



Kun for EU-land
På grunn av forekomst av farlige komponenter i utstyret, kan brukt elektrisk og elektronisk utstyr ha en negativ innvirkning på miljøet og menneskers helse. Ikke kast elektriske og elektroniske apparater sammen med husholdningsavfall! I samsvar med det europeiske direktivet om avfall fra elektrisk og elektronisk utstyr og dettes tilpasning til nasjonal lovgivning, skal brukt elektrisk og elektronisk utstyr samles inn separat og leveres til et eget innsamlingssted for kommunalt avfall, som driver virksomhet i samsvar med miljøvernforordningene. Dette er angitt av symbolet med den overkryssede avfallsbeholderen som er plassert på utstyret.

Riktig bruk

Verktøyet er beregnet på sliping, pussing, stålborsting og hullskjæring og kapping av metall og steinmaterialer uten bruk av vann.

Strømforsyning

Maskinen må bare kobles til en strømkilde med samme spenning som vist på typeskiltet, og kan bare brukes med enfase-vekselstrømforsyning. Den er dobbelt verneisoleret og kan derfor også brukes fra kontakter uten jording.

Støy

Typisk A-vektet lydtrykknivå er bestemt i henhold til EN62841-2-3:

Modell	Lydtrykknivå (L_{pA}): (dB(A))	Lydeffektnivå (L_{WA}): (dB(A))	Usikkerhet (K): (dB(A))
GA4590	93	101	3
GA4591	90	98	3
GA4592	93	101	3
GA5090	93	101	3
GA5091	90	98	3
GA5092	93	101	3

MERK: Den/de oppgitte verdien(e) for genererte vibrasjoner har blitt målt i henhold til standard testmetoder, og kan bli brukt til å sammenligne ett verktøy med et annet.

MERK: Den/de angitte verdien(e) for de genererte vibrasjonene kan også brukes til en foreløpig vurdering av eksponeringen.

⚠ ADVARSEL: Bruk hørselsvern.

⚠ ADVARSEL: De genererte vibrasjonene ved faktisk bruk av elektroverktøyet kan avvike fra den/de angitte vibrasjonsverdien(e), avhengig av hvordan verktøyet brukes.

⚠ ADVARSEL: Sørg for å identifisere vernetiltak for å beskytte operatøren, som er basert på et estimat av eksponeringen under de faktiske bruksforholdene (idet det tas hensyn til alle deler av driftssyklusen, dvs. hvor lenge verktøyet er slått av, hvor lenge det går på tomgang og hvor lenge startbryteren faktisk holdes trykket).

⚠ ADVARSEL: Sliping av tynne metallplater eller andre lett vibrerende strukturer med stor overflate kan føre til et samlet støynivå som er mye høyere (opptil 15 dB) enn de angitte støyerdiene.

Legg tunge, fleksible dempematter eller lignende på arbeidsstykkene for å hindre at de avgir støy.

Ta hensyn til det høyere støynivået både ved risikovurdering av støyeksponering og ved valg av egnet hørselsvern.

Vibrasjoner

Den totale vibrasjonsverdien (triaksial vektorsum) bestemt i henhold EN62841-2-3:

Arbeidsmåte: Overflatesliping med normalt støttehåndtak

Modell	Generert vibrasjon ($a_{hv, AG}$): (m/s ²)	Usikkerhet (K): (m/s ²)
GA4590	4,7	1,5
GA4591	5,4	1,5
GA4592	4,7	1,5
GA5090	7,9	1,5
GA5091	7,4	1,5
GA5092	7,9	1,5

Arbeidsmåte: Overflatesliping med vibrasjonssikkert støttehåndtak

Modell	Generert vibrasjon ($a_{hv, AG}$): (m/s ²)	Usikkerhet (K): (m/s ²)
GA4590	4,9	1,5
GA4591	5,2	1,5
GA4592	4,9	1,5
GA5090	8,8	1,5
GA5091	8,7	1,5
GA5092	8,8	1,5

Arbeidsmåte: Plansliping med normalt støttehåndtak

Modell	Avgitt vibrasjon ($a_{h, ds}$) : (m/s^2)	Usikkerhet (K): (m/s^2)
GA4590	3,6	1,5
GA4591	3,2	1,5
GA4592	3,6	1,5
GA5090	2,7	1,5
GA5091	2,7	1,5
GA5092	2,7	1,5

Arbeidsmåte: Plansliping med vibrasjonssikkert støttehåndtak

Modell	Avgitt vibrasjon ($a_{h, ds}$) : (m/s^2)	Usikkerhet (K): (m/s^2)
GA4590	3,5	1,5
GA4591	2,9	1,5
GA4592	3,5	1,5
GA5090	2,8	1,5
GA5091	3,0	1,5
GA5092	2,8	1,5

MERK: Den/de oppgitte verdien(e) for totalt genererte vibrasjoner har blitt målt i henhold til standard testmetoder, og kan bli brukt til å sammenligne ett verktøy med et annet.

MERK: Den/de angitte verdien(e) for totalt genererte vibrasjoner kan også brukes til en foreløpig vurdering av eksponeringen.

⚠ ADVARSEL: De genererte vibrasjonene ved faktisk bruk av elektroverktøyet kan avvike fra den/de angitte vibrasjonsverdien(e), avhengig av hvordan verktøyet brukes og spesielt i forhold til arbeidsstykket som blir behandlet.

⚠ ADVARSEL: Sørg for å identifisere vernetiltak for å beskytte operatøren, som er basert på et estimat av eksponeringen under de faktiske bruksforholdene (idet det tas hensyn til alle deler av driftssyklusen, dvs. hvor lenge verktøyet er slått av, hvor lenge det går på tomgang og hvor lenge startbryteren faktisk holdes trykket).

⚠ ADVARSEL: Den oppgitte verdien for genererte vibrasjoner brukes for hovedbruksområdene for elektroverktøyet. Hvis verktøyet brukes til andre formål, kan verdien for de genererte vibrasjonene være en annen.

EFs samsvarserklæring

Gjelder kun for land i Europa

EFs samsvarserklæring er lagt til som vedlegg A i denne bruksanvisningen.

SIKKERHETSADVARSEL

Generelle advarsler angående sikkerhet for elektroverktøy

⚠ ADVARSEL: Les alle sikkerhetsadvarsler, instruksjoner, illustrasjoner og spesifikasjoner som følger med dette elektroverktøyet. Hvis ikke alle instruksjonene nedenfor følges, kan det forekomme elektrisk støt, brann og/eller alvorlig skade.

Oppbevar alle advarsler og instruksjoner for senere bruk.

Uttrykket «elektrisk verktøy» i advarslene refererer både til elektriske verktøy (med ledning) tilkoblet strømmettet, og batteridrevne verktøy (uten ledning).

Sikkerhetsadvarsler for slipemaskin

Vanlige sikkerhetsadvarsler for sliping, pussing, stålborsting og kapping:

1. Dette elektroverktøyet er beregnet for sliping, pussing, stålborsting, hullskjæring og kapping. Les alle sikkerhetsadvarsler, instruksjoner, illustrasjoner og spesifikasjoner som følger med dette elektroverktøyet. Hvis ikke alle instruksjonene nedenfor følges, kan det føre til elektrisk støt, brann og/eller alvorlig personskade.
2. Polering og lignende skal ikke utføres med dette verktøyet. Bruk av elektroverktøyet til noe annet enn det er beregnet på kan medføre fare og forårsake personskade.
3. Ikke konverter dette elektroverktøyet til å fungere på en måte det ikke er spesifikt konstruert og spesifisert for av verktøyprodusenten. Slik konvertering kan føre til tap av kontroll og forårsake alvorlig personskade.
4. Ikke bruk tilbehør som ikke er spesielt utviklet og spesifisert av verktøyprodusenten. Det at tilbehøret kan monteres på verktøyet, betyr ikke at det er trygt å bruke.

5. **Nominell hastighet for tilbehøret må være minst like høy som største nominelle hastighet på elektroverktøyet.** Tilbehør som kjøres med større hastighet enn det som er angitt, kan gå i stykker og slynges ut.
 6. **Den utvendige diameteren og tykkelsen på tilbehøret må ligge innenfor den angitte kapasiteten for elektroverktøyet.** Tilbehør i feil størrelse kan ikke sikres eller kontrolleres tilstrekkelig.
 7. **Målene på tilbehørfestet må passe med målene på monteringsmekanismen på elektroverktøyet.** Tilbehør som ikke passer til monteringsmekanismen på verktøyet, vil komme ut av balanse, vibrere sterkt og kan føre til at du mister kontrollen.
 8. **Ikke bruk skadet tilbehør. Før bruk må du undersøke om tilbehør som for eksempel slipeskiver har hakk eller sprekker, om bakrondeller har sprekker eller er slitt og om stålborster har løse eller ødelagte tråder. Hvis elektroverktøyet eller tilbehøret faller, må du undersøke om det har oppstått skade og eventuelt skifte det ut med uskadd tilbehør. Når et tilbehør er undersøkt og montert, skal du plassere deg selv og andre utenfor tilbehørets rotasjonsplan og kjøre elektroverktøyet på maksimal hastighet uten belastning i ett minutt.** Skadd tilbehør vil vanligvis gå i stykker i løpet av en slik test.
 9. **Bruk personlig verneutstyr. Avhengig av bruksområdet, må du bruke visir eller vernebriller. Bruk etter behov støvmaske, hørselsvern, hansker og arbeidsforkle som kan stoppe små slipepartikler eller fragmenter fra arbeidsstykket.** Øyevernet må kunne stoppe flygende biter som oppstår under ulike typer bruk. Støvmasken eller åndedrettsvernet må kunne filtrere ut partikler som oppstår under den bestemte bruken. Kraftig støy over lengre tid kan forårsake redusert hørsel.
 10. **Hold andre på trygg avstand fra arbeidsområdet. Alle som beveger seg inn i arbeidsområdet, må bruke personlig verneutstyr.** Fragmenter fra arbeidsstykket eller fra skadet tilbehør kan slynges ut og forårsake skade utenfor det umiddelbare arbeidsområdet.
 11. **Hold elektroverktøyet kun i det isolerte håndtaket når skjæreverktøyet kan komme i kontakt med skjulte ledninger eller maskinens egen ledning under arbeidet.** Hvis skjæretilbehøret kommer i kontakt med strømførende ledninger, kan ikke-isolerte metalldele på elektroverktøyet bli strømførende og gi brukeren elektrisk støt.
 12. **Plasser ledningen unna det roterende tilbehøret.** Hvis du mister kontrollen, kan ledningen kuttes av eller hekte seg fast, og hånden eller armen din kan bli trukket inn til det roterende tilbehøret.
 13. **Ikke legg ned elektroverktøyet før tilbehøret har stoppet helt.** Det roterende tilbehøret kan ta feste i overflaten og trekke elektroverktøyet ut av kontroll.
 14. **Ikke kjør elektroverktøyet når du bærer det langs siden.** Utilsiktet kontakt med roterende tilbehør kan føre til at det hektes i klærne og trekkes inn mot kroppen.
 15. **Rengjør verktøyets luftventiler regelmessig.** Motorens vifte trekker støv inn i verktøyhuset, og mye oppsamlet metallstøv kan medføre elektrisk fare.
 16. **Ikke bruk elektroverktøyet nær brennbare materialer.** Gnister kan antenne slike materialer.
 17. **Ikke bruk tilbehør som krever kjølevæske.** Bruk av vann eller andre kjølevæsker kan føre til elektrisk støt.
- Tilbakeslag og relaterte advarsler:**
Tilbakeslag er en plutselig reaksjon på en klemt eller hekket skive, bakrondell, børste eller annet tilbehør. Fastklemming eller hekking forårsaker plutselig stopp av det roterende tilbehøret, noe som i sin tur gjør at det ukontrollerbare elektroverktøyet kastes i motsatt retning av tilbehørets rotasjonsretning ved bindingspunktet. Hvis for eksempel en slipeskive klemmes eller hekkes fast i arbeidsstykket, kan kanten på skiven som er fastklemt, grave seg inn i overflaten på materialet og føre til at skiven graver seg ut eller slås ut. Skiven kan enten sprette mot eller vekk fra operatøren, avhengig av rotasjonsretningen på skiven når den klemmes fast. Slipeskiver kan også knekke under slike forhold. Tilbakeslag er et resultat av at elektroverktøyet misbrukes og/eller brukes på feil måte eller under feil forhold, og kan unngås ved å ta de nødvendige forholdsreglene som beskrives under.
1. **Hold godt fast i verktøyet med begge hender og plasser kroppen og armene dine slik at du kan motstå kreftene i et tilbakeslag. Bruk alltid hjelpéhåndtak når det følger med, for å få best mulig kontroll over tilbakeslag eller dreiemomentreaksjonen ved oppstart.** Operatøren kan kontrollere dreiemomentreaksjonen eller tilbakeslagskreftene hvis de riktige forholdsreglene tas.
 2. **Plasser aldri hånden nær det roterende tilbehøret.** Tilbehøret kan slå tilbake over hånden.
 3. **Ikke plasser kroppen i det området elektroverktøyet kan slå tilbake i.** Tilbakeslag gjør at verktøyet slås i motsatt retning av skivens bevegelse når den blir sittende fast.
 4. **Vær spesielt forsiktig under arbeid med hjørner, skarpe kanter o.l. Unngå å la tilbehøret sprette eller hugge.** Hjørner, skarpe kanter eller spretting har en tendens til å huke fast det roterende tilbehøret og forårsake tap av kontroll eller tilbakeslag.
 5. **Ikke monter et sagkjedeblad for treskjæring, segmentert diamannskive med periferisk avstand over 10 mm eller tannet sagblad.** Slike blader gir ofte tilbakeslag og mangel på kontroll.
- Spesifikke sikkerhetsadvarsler for sliping og kapping:**
1. **Bruk bare skivetyper som er spesifisert for elektroverktøyet og den spesifikke beskyttelsen som er beregnet på den valgte skiven.** Skiver som ikke er beregnet på elektroverktøyet, kan ikke sikres godt nok og er utrygge.
 2. **Slipesoverflaten til skiver med forsenket nav må monteres under planet til vernet.** En feilmontert skive som stikker gjennom planet til vernet, kan ikke tilstrekkelig beskyttes.

3. **Vernet må være ordentlig festet til verktøyet og plasseres slik at det gir størst mulig sikkerhet og slik at minst mulig av skiven vender mot brukeren.** Vernet bidrar til å beskytte brukeren mot brukne skivefragmenter og utilsiktet kontakt med skiven og mot gnister som kan antenne klær.
4. **Skiver skal bare brukes til spesifiserte bruksområder. For eksempel: Ikke slip med siden av en kappeskive.** Kappeskiver for sliping er bare beregnet for periferisk sliping. Sidekrefter mot disse skivene kan knuse dem.
5. **Bruk alltid uskadede skiveflenser i riktig størrelse og form for skiven du har valgt.** Riktige skiveflenser støtter skiven og reduserer dermed muligheten for skivebrudd. Flenser for kappeskiver kan være forskjellige fra flenser for slipeskiver.
6. **Ikke bruk slitte skiver fra større elektroverktøy.** En skive fra større elektroverktøy passer ikke til den høyere hastigheten til mindre verktøy, og kan sprekke.
7. **Når skiver for flere formål brukes, må du alltid bruke riktig vern for arbeidet som utføres.** Hvis det ikke brukes riktig vern, kan det hende at beskyttelsen ikke er tilstrekkelig god, noe som kan føre til alvorlig personskade.
8. **Før bruk av en segmentert diamantslipeskive, må du kontrollere at diamantslipeskiven har en perifer åpning på mindre enn 10 mm mellom segmentene, og kun med en negativ flisvinkel.**

Spesielle sikkerhetsadvarsler for pussing:

1. **Bruk riktig pussepapir i riktig størrelse for skiven. Følg produsentens anbefalinger når du velger pussepapir.** Større pussepapir som stikker for langt utenfor pusseputen, kan forårsake oppringing og føre til slitasje eller tilbakeslag på skiven.

Spesielle sikkerhetsadvarsler for stålborsting:

1. **Vær oppmerksom på at metalltråder kan løsne fra børsten også ved vanlig bruk. Ikke overbelast trådene ved å legge ekstra press på børsten.** Metalltrådene kan lett trenge gjennom tynne klær og hud.
2. **Hvis det anbefales bruk av vern ved stålborsting, må du unngå all kontakt mellom tråd-hjulet eller rundbørsten og vernet.** Tråd-hjul og rundbørster kan utvide seg i diameter på grunn av arbeidsbelastningen og sentrifugalkreftene.

Ekstra sikkerhetsadvarsler:

1. **Når du bruker slipeskiver med flossenket nav, må du passe på bare å bruke glassfiberarmerte skiver.**
2. **BRUK ALDRI denne vinkelsliperen med slipeskiver av typen Stone Cup.** Denne vinkelsliperen er ikke konstruert for denne typen hjul, og bruk av et slikt produkt kan resultere i alvorlige helseskader.
3. **Vær forsiktig så du ikke ødelegger spindelen, flensen (særlig monteringsflaten) eller låsemutteren.** Skade på disse delene kan resultere i at skiven brykker.
4. **Forviss deg om at skiven ikke har kontakt med arbeidsstykket før startbryteren er slått på.**
5. **Før du begynner å bruke maskinen på et arbeidsstykke, bør du la den gå en liten stund.** Se etter vibrasjoner eller vingling som kan tyde på at skiven er dårlig balansert.
6. **Bruk den angitte overflaten av skiven til å utføre slipingen.**
7. **Ikke gå fra verktøyet mens det er i gang.** Verktøyet må bare brukes mens operatøren holder det i hendene.
8. **Ikke berør arbeidsstykket umiddelbart etter bruk.** Det kan være ekstremt varmt og kan gi deg brannskader.
9. **Ikke berør tilbehøret umiddelbart etter bruk.** De kan være ekstremt varme og kan gi deg brannskader.
10. **Følg produsentens anvisninger for korrekt montering og bruk av skiver.** Håndter og oppbevar skivene forsiktig.
11. **Ikke bruk separate reduksjonsbøsninger eller adaptere for å tilpasse slipeskiver med store hull.**
12. **Bruk bare flenser som er spesifisert for dette verktøyet.**

Ekstra sikkerhetsadvarsler spesifikt for kapping:

1. **Ikke «klem fast» kappeskiven eller legg sterkt press på den. Ikke forsøk å kutte svært dypt.** For mye press på skiven øker belastningen og sjansen for at skiven vrir eller setter seg fast under kutting, samt at det øker sjansen for tilbakeslag eller at skiven blir ødelagt.
2. **Ikke plasser deg på linje med og bak den roterende skiven.** Når skiven beveger seg bort fra deg ved bruksstedet, kan et mulig tilbakeslag drive den roterende skiven og verktøyet rett mot deg.
3. **Når skiven fastklemmes eller du ønsker å avbryte kappingen, må du slå av elektroverktøyet og holde det i ro til skiven har stoppet helt.** Du må aldri forsøke å trekke kappeskiven ut av kuttet mens skiven er i bevegelse. Det kan føre til tilbakeslag. Undersøk årsaken til at skiven setter seg fast, og rett opp feilen.
4. **Ikke start kappingen på nytt mens skiven står i arbeidsstykket.** La skiven nå full hastighet, og før den så forsiktig ned i kuttet på nytt. Skiven kan sette seg fast, bli trukket oppover eller gi tilbakeslag hvis det elektriske verktøyet startes på nytt i arbeidsstykket.
5. **Støtt opp plater eller store arbeidsstykker for å minimere muligheten for fastklemming og tilbakeslag.** Store arbeidsstykker har en tendens til å synke under sin egen vekt. Det må plasseres støtter under arbeidsstykket nært kuttlinjen og nært kanten på arbeidsstykket på begge sider av skiven.
6. **Vær ekstra forsiktig når du lager «lommehull» i eksisterende vegger eller andre områder uten innsyn.** Skiven som stikker ut, kan kutte gass- eller vannrør, elektriske ledninger eller gjenstander som kan forårsake tilbakeslag.
7. **Ikke prøv å skjære i bue.** For mye press på skiven øker belastningen og sjansen for at skiven vrir eller setter seg fast under kutting, samt at det øker sjansen for tilbakeslag eller at skiven blir ødelagt, noe som kan føre til alvorlig personskade.

13. For maskiner som er beregnet på å bli utstyrt med gjengehullsskive, må du forvise deg om at gjengen i hullet er lang nok til å passe til spindellengden.
14. Forviss deg om at arbeidsstykket står støtt.
15. Ta hensyn til at skiven fortsetter å rotere etter at maskinen er slått av.
16. Hvis arbeidsplassen er ekstremt varm og fuktig, eller svært forurenset med elektrisk ledende støv, må du bruke en kortslutningsbryter (30 mA) for å ivareta operatørens sikkerhet.
17. Ikke bruk maskinen på materialer som inneholder asbest.
18. Når du bruker kappeskiven, må du alltid bruke beskyttelseskappen med støvopsamler, etter hva lokale bestemmelser krever.
19. Kappeskiver må ikke utsettes for trykk fra siden.
20. Ikke bruk tekstilhansker når du bruker maskinen. Fibre fra tekstilhanskene kan komme inn i maskinen noe som kan føre til brudd i maskinen.
21. Før bruk må du kontrollere at det ikke finnes nedgravde gjenstander som elektriske rør, vannrør eller gassrør i arbeidsstykket. Ellers kan det føre til elektrisk støt, elektriske lekkasje eller gasslekkasje.
22. Hvis et trekkpapir er festet til skiven, må det ikke fjernes. Diameteren på trekkpapiret må være større enn låsemutteren, den ytre flensen og den indre flensen.
23. Før du monterer slipeskiven, må du alltid kontrollere at trekkpapiret ikke har noen abnormiteter, for eksempel fliser eller sprekker.
24. Stram låsemutteren godt. For mye stramming av skiven kan føre til at den brekker, og for lite stramming kan føre til at den blir ustabil.

TA VARE PÅ DISSE INSTRUKSENE.

⚠ ADVARSEL: IKKE LA hensynet til hva som er "behagelig" eller det faktum at du kjenner produktet godt (etter mange gangers bruk) gjøre deg mindre oppmerksom på sikkerhetsreglene for bruken av det aktuelle produktet. Ved MISBRUK eller hvis ikke sikkerhetsreglene i denne bruksanvisningen følges, kan det oppstå alvorlig personskade.

FUNKSJONS BESKRIVELSE

⚠ FORSIKTIG: Forviss deg alltid om at maskinen er slått av og støpselet trukket ut av kontakten før du justerer eller kontrollerer de mekaniske funksjonene.

Beskyttelsessystem for verktøy

Verktøyet er utstyrt med et beskyttelsessystem for verktøy. Dette systemet reduserer eller slår automatisk av strømmen til motoren for å forlenge verktøyets levetid. Verktøyet reduserer automatisk strømmen eller stopper automatisk under drift hvis verktøyet utsettes for en av følgende tilstander:

Overlastsikring

Når verktøyet brukes på en måte som gjør at det bruker unormalt mye strøm, reduserer verktøyet strømmen automatisk og uten forvarsel. I denne situasjonen fjerner du årsaken til overbelastningen slik at rotasjonshastigheten gjenopprettes.

Overopphetingsvern

Landsspesifikk

Når verktøyet er overopphetet, stanser det automatisk, og indikatorlampe blinker rødt. La verktøyet kjøle seg ned. Du kan slå på verktøyet igjen når lampen veksler farge fra rødt til grønt.

Indikatorlampe

► Fig.1: 1. Indikatorlampe

Indikatorlampen lyser grønt når verktøyet er koblet til. Hvis indikatorlampen blinker rødt, sørger aktiv tilbake-slagfølede teknologi eller funksjonen som forhindrer utilsikket start for at driften stanses. I denne situasjonen slår du av verktøyet. Slå deretter verktøyet på for å starte det igjen.

Hvis indikatorlampen lyser rødt etter at du slår av verktøyet, er verktøyet overopphetet. I denne situasjonen avkjøler du verktøyet og venter til indikatorlampen lyser grønt.

Hastighetsinnstillingshjul

Bare for modell GA4590 / GA4591 / GA5090 / GA5091

⚠ FORSIKTIG: Hvis verktøyet brukes lenge og kontinuerlig ved lavt turtall, vil motoren bli overbelastet og for varm.

⚠ FORSIKTIG: Hastighetsinnstillingshjulet kan kun dreies til 5 og så tilbake til 1. Ikke prøv å tvinge det forbi 5 eller 1, da det kan føre til at hastighetsinnstillingsfunksjonen slutter å virke.

Du kan endre rotasjonshastigheten ved å dreie på hastighetsinnstillingshjulet til en gitt tallinnstilling fra 1 til 5. Hastigheten øker når hjulet dreies mot nummer 5. Hastigheten reduseres når hjulet dreies mot nummer 1. Se tabellen nedenfor for mer informasjon om relasjonen mellom tallinnstillingene på hjulet og tilnærmet rotasjonshastighet.

Tall	Nominell hastighet
1	2 800 min ⁻¹
2	4 500 min ⁻¹
3	6 500 min ⁻¹
4	8 000 min ⁻¹
5	11 500 min ⁻¹

► Fig.2: 1. Hastighetsinnstillingshjul

Spindellås

⚠ ADVARSEL: Du må aldri aktivere spindellåsen mens spindelen beveger seg. Det kan føre til alvorlig personskade eller skade på verktøyet.

Trykk på spindellåsen for å forhindre spindelrotasjon når du monterer eller fjerner tilbehør.

► Fig.3: 1. Spindellås

Bryterfunksjon

⚠ FORSIKTIG: Før du kobler verktøyet til strøm, må du alltid kontrollere at skyvebryteren aktiveres som den skal og returnerer til "OFF"-stilling når du trykker på bakdelen av skyvebryteren.

⚠ FORSIKTIG: Bryteren kan låses i "ON"-stilling for å gjøre det enklere for operatøren under forlengert bruk. Vær forsiktig når du låser verktøyet i "ON"-stilling, og fortsett å holde verktøyet i et fast grep.

For å starte verktøyet, trykker du ned på bakre del av skyvebryteren og skyver den mot "I (ON)"-stilling. For kontinuerlig drift, må du trykke ned foran på skyvebryteren for å låse den.

► Fig.4: 1. Skyvebryter

For å stoppe verktøyet, trykker du ned på bakre del av skyvebryteren slik at den går tilbake til "O (OFF)"-stilling.

► Fig.5: 1. Skyvebryter

Elektronisk funksjon

Aktiv tilbakeslagfølende teknologi

⚠ FORSIKTIG: Hold godt tak i verktøyet til rotasjonen stanser.

Verktøyet vil elektronisk oppdage situasjoner hvor skiven eller tilbehøret risikerer å sette seg fast. I slike tilfeller slår verktøyet seg av automatisk for å unngå at spindelen fortsetter å rotere (dette forhindrer ikke tilbakeslag). På dette tidspunktet blinker indikatorlampen rødt og viser at den aktivt tilbakeslagfølende teknologien er aktivert. For å starte verktøyet på nytt, må du først slå av verktøyet, fjerne årsaken til det plutselige rotasjonsfallet og deretter slå på verktøyet igjen.

Funksjon som forhindrer utilsiktet start

Verktøyet starter ikke når du plugges til verktøyet med bryteren PÅ.

På dette tidspunktet blinker indikatorlampen rødt og viser at funksjonen som forhindrer utilsiktet start, er i bruk.

For å starte verktøyet slår du av bryteren og deretter på igjen.

Konstant hastighetskontroll

Du kan oppnå fin overflate fordi rotasjonshastigheten holdes konstant, selv under belastning.

Mykstartfunksjon

Funksjonen for myk start reduserer reaksjonen ved start.

Mekanisk bremse

Bare for modell GA4591 / GA5091

Den mekaniske bremsen aktiveres når verktøyet slås av.

Bremsen fungerer ikke dersom strømtilførselen kobles ut mens bryteren fortsatt er på.

MONTERING

⚠ FORSIKTIG: Forviss deg alltid om at maskinen er slått av og støpselet trukket ut av kontakten før du utfører noe arbeid på maskinen.

Montere støttehåndtak (hjelpeshåndtak)

⚠ FORSIKTIG: Forviss deg alltid om at støttehåndtaket er skikkelig montert før du tar maskinen i bruk.

Skru støttehåndtaket godt fast på maskinen i den stillingen som er vist på figuren.

► Fig.6

Montere eller fjerne beskyttelseskappen

⚠ ADVARSEL: Ved bruk av slipeskive med forsenket nav / klaffskive, flex-skive eller stålborste, må skivebeskyttelsen settes på verktøyet slik at den lukkede siden av kappen vender mot operatøren.

⚠ ADVARSEL: Kontroller at beskyttelseskappen er låses sikkert av sperrespaken med ett av hullene i beskyttelseskappen.

⚠ ADVARSEL: Ved bruk av kappeskive/diamantskive må du forsikre deg om at du bare bruker den spesielle beskyttelseskappen som er beregnet for bruk med kappeskiver.

For forsenket nav, klaffskive, flex-hjul, sirkulærbørste av stål/ kappeskive, diamantkive

1. Mens du skyver sperrespaken monterer du beskyttelseskappen slik at fremspringet på beskyttelseskappebåndet er innrettet med hakket i lagerboksen.
► **Fig.7:** 1. Sperrespak 2. Hakk 3. Fremspring

2. Mens du skyver låsespaken mot A, holder du delene B på beskyttelseskappen nede som vist i figuren.
► **Fig.8:** 1. Beskyttelseskappe 2. Hull

MERK: Skyv beskyttelseskappen rett ned. Ellers klarer du ikke å sikre beskyttelseskappen.

3. Mens du skyver låsespaken mot A, dreier du beskyttelseskappen mot C og deretter endrer du vinkelen på beskyttelseskappen i henhold til arbeidet slik at operatøren beskyttes. Innrett låsespaken med ett av hullene i beskyttelseskappen, og frigjør deretter låsespaken for å låse beskyttelseskappen.
► **Fig.9:** 1. Beskyttelseskappe 2. Hull

Fjern beskyttelseskappen ved å følge monteringsfremgangsmåten i motsatt rekkefølge.

Beskyttelseskappe med klips for skjæreskive

Valgfritt tilbehør

MERK: Ved kapping kan en beskyttelseskappe med klips for skjæreskive brukes med beskyttelseskappen (for slipehjul).

Ikke tilgjengelig i enkelte land.

► **Fig.10**

Montere eller fjerne skive med nedsenket nav eller klaffskive

Valgfritt tilbehør

⚠ ADVARSEL: Ved bruk av slipeskive med forsenket nav / klaffskive, må skivebeskyttelsen settes på verktøyet slik at den lukkede siden av kappen vender mot operatøren.

⚠ ADVARSEL: Sørg for at monteringsdelen av den indre flensen passer perfekt inn i den indre omkretsen til den nedsenkede navet / klaffskiven. Hvis den indre flensen monteres på feil side, kan det resultere i farlig vibrasjon.

Monter den indre flensen på spindelen. Sørg for at du fester den nedsenkede delen av den indre flensen på den rettvinklede delen på bunnen av spindelen. Sett den nedsenkede navet / klaffskiven på den indre flensen og skru låsemutteren på spindelen.

► **Fig.11:** 1. Låsemutter 2. Forsenket nav 3. Indre flens 4. Monteringsdel

Stram låsemutteren ved å trykke så kraftig på spindellåsen at spindelen ikke kan rotere, og bruk låsemutternøkkelen til å stramme mutteren godt med klokken.

► **Fig.12:** 1. Låsemutternøkkel 2. Spindellås

Fjern hjulet ved å følge installeringsfremgangsmåten i motsatt rekkefølge.

Montere eller fjerne flex-skiven

Valgfritt tilbehør

⚠ ADVARSEL: Når du bruker flex-skiven må du alltid bruke medfølgende beskyttelse. Skiven kan knuse ved bruk, og vernet bidrar til å redusere faren for helseskader.

► **Fig.13:** 1. Låsemutter 2. Flex-hjul 3. Reserveputer 4. Indre flens

Følg instruksjonene for skiven med forsenket nav, men bruk også reserveputen over skiven.

Montere eller fjerne slipeskiven

Valgfritt tilbehør

► **Fig.14:** 1. Låsemutter for sliping 2. Slipeskive 3. Gummirondell

1. Monter gummihetten på spindelen.
2. Sett skiven på gummirondellen og skru låsemutteren for sliping på spindelen.

3. Hold spindelen ved skaftlåsen og stram låsemutterne for sliping med klokken med låsemutternøkkelen.

Fjern skiven ved å følge installeringsfremgangsmåten i motsatt rekkefølge.

MERK: Bruk slipetilbehør spesifisert i denne håndboken. Disse må kjøpes separat.

Superflens

Valgfritt tilbehør

Bare for modell GA4590 / GA4592 / GA5090 / GA5092

Superflens er et spesialtilbehør for modeller som IKKE er utstyrt med bremsefunksjon.

Låsemutteren kan løsnes med bare 1/3 av den kraften som er nødvendig ved bruk av vanlige typer.

Montere eller demontere Ezynut

Valgfritt tilbehør

Kun for verktøy med M14 spindelgjenger.

⚠ FORSIKTIG: Ikke bruk Ezynut med superflens. De flensene er så tykke at spindelen ikke kan holde alle gjengene.

Monter den indre flensen, slipeskiven og Ezynut på spindelen, og påse at Makita-logoen på Ezynut er vendt utover.

► **Fig.15:** 1. Ezynut 2. Slipeskive 3. Indre flens 4. Spindel

Press spindellåsen godt på og stram Ezynut ved å dreie slipeskiven så langt som mulig med klokken.

► **Fig.16:** 1. Spindellås

For å løsne Ezynut dreier du den utvendige ringen på Ezynut mot klokken.

MERK: Du kan løsne Ezynut for hånd så lenge pilen peker mot innsnittet. Ellers må du bruke en låsemutternøkkel for å løsne den. Sett én stift på nøkkelen i et hull og drei Ezynut mot klokken.

► **Fig.17:** 1. Pii 2. Spor

► **Fig.18**

Installere en kappeskive/ diamantskive

Valgfritt tilbehør

⚠ ADVARSEL: Ved bruk av kappeskive/diamantskive må du forsikre deg om at du bare bruker den spesielle beskyttelseskappen som er beregnet for bruk med kappeskiver.

⚠ ADVARSEL: IKKE bruk kappeskiver til sideveis sliping.

► **Fig.19:** 1. Låsemutter 2. Slipende kappeskive/diamantskive 3. Indre flens 4. Skivevern for slipende kappeskive/diamantskive

Når det gjelder installasjonen, må du følge anvisningene for nedsenket nav.

Monteringsretningen for låsemutteren og den indre flensen varierer med skivetype og -tykkelse. Se følgende figurer.

Når du installerer det slipende kapphjulet:

► **Fig.20:** 1. Låsemutter 2. Slipende kapphjul (tynnere enn 4 mm) 3. Slipende kapphjul (4 mm eller tykkere) 4. Indre flens

Når du installerer diamanthjulet:

► **Fig.21:** 1. Låsemutter 2. Diamanthjul (tynnere enn 4 mm) 3. Diamanthjul (4 mm eller tykkere) 4. Indre flens

Installere en koppbørsten av stål

Valgfritt tilbehør

⚠ FORSIKTIG: Ikke bruk en børste som er skadet, eller som ikke er balansert. Hvis du bruker en skadet børste, kan dette øke faren for personskaade ved kontakt med ødelagte børstetråder.

Sett verktøyet opp-ned for å få enkel tilgang til spindelen.

Demontér alt tilbehør fra spindelen. Monter koppbørsten av stål på spindelen og trekk til med den medfølgende nøkkelen.

► **Fig.22:** 1. Koppbørste av stål

Installere en sirkulærbørste av stål

Valgfritt tilbehør

⚠ FORSIKTIG: Ikke bruk en skivebørste som er skadet, eller som ikke er balansert. Hvis du bruker en skadet skivebørste, kan dette øke faren for personskaade ved kontakt med ødelagte børstetråder.

⚠ FORSIKTIG: Bruk ALLTID beskyttelseskappen med skivebørster, og pass på at skivens diameter passer inne i beskyttelseskappen. Skiven kan knuse ved bruk, og vernet bidrar til å redusere faren for helseskader.

Sett verktøyet opp-ned for å få enkel tilgang til spindelen.

Demontér alt tilbehør fra spindelen. Skru skivebørsten på spindelen og stram med nøklene.

► **Fig.23:** 1. Sirkulærbørste av stål

Montere hullkutter

Valgfritt tilbehør

Sett verktøyet opp-ned for å få enkel tilgang til spindelen. Fjern alt tilbehør fra spindelen. Skru hullkutteren på spindelen og stram den med den medfølgende skiftenøkkelen.

► **Fig.24:** 1. Hullkutter

Montere beskyttelseskappe med støvoppsamler for sliping

Valgfritt tilbehør

Med tilleggsutstyr kan du bruke dette verktøyet til å jevne betongflater.

⚠ FORSIKTIG: Beskyttelseskappen med støvsamler for diamantkappeskiven skal kun brukes til å jevne betongflater med en diamantkappeskive. Ikke bruk kappen sammen med annet skjæreutstyr eller til andre formål.

⚠ FORSIKTIG: Før bruk må du sørge for at en støvsuger er koblet til verktøyet og slått på.

Sett verktøyet opp-ned og monter beskyttelseskappen med støvoppsamler.

Monter den indre flensen på spindelen.

Sett diamantskiven av kopptype på den indre flensen, og stram låsemutteren på spindelen.

► **Fig.25:** 1. Låsemutter 2. Diamantskive av kopptype 3. Diamantskive av klemkopptype 4. Indre flens 5. Beskyttelseskappe med støvoppsamler 6. Lagerboks

MERK: Informasjon om hvordan beskyttelseskappen med støvoppsamler monteres, finnes i håndboken for beskyttelseskappen med støvoppsamler.

Montere beskyttelseskappe med støvoppsamler for kapping

Valgfritt tilbehør

Med tilleggsutstyr kan du bruke dette verktøyet til å kappe steinmaterialer.

► **Fig.26**

MERK: Informasjon om hvordan beskyttelseskappen med støvoppsamler monteres, finnes i håndboken for beskyttelseskappen med støvoppsamler.

Koble til støvsuger

Valgfritt tilbehør

⚠ ADVARSEL: Bruk aldri støvsugeren på metallpartikler dannet ved sliping/skjæring/pussing.

Metallpartikler dannet ved slikt arbeide er så varme at de antenner støv og filteret inne i støvsugeren.

For å hindre støvete omgivelser fra skjæring i mur, må du bruke en beskyttelseskappe med støvsamler og en støvsuger. Se brukerveiledningen festet på beskyttelseskappen med støvsamler for å sette den sammen og å bruke den.

► **Fig.27:** 1. Beskyttelseskappe med støvsamler 2. Støvsugerslange

Montere eller demontere støvdekselet

Valgfritt tilbehør

⚠FORSIKTIG: Kontroller alltid at verktøyet er slått av og frakoblet før du installerer eller fjerner støvdekselet. Hvis du ikke retter deg etter dette, kan det føre til personskader eller skade på verktøyet.

Monter støvdekselet i hver spesifisert posisjon. Nærmere detaljer finnes i bruksanvisningen for støvdekselet.

OBS: Rengjør støvdekselet når det er tett på grunn av støv eller fremmedlegemer. Fortsatt bruk med tett støvdeksel vil skade verktøyet.

BRUK

⚠ADVARSEL: Det er aldri nødvendig å bruke makt på verktøyet. Vekten av maskinen utøver passende trykk. Makt og for stort press kan føre til farlige brudd i skiven.

⚠ADVARSEL: Skiven må ALLTID skiftes hvis maskinen mistes under sliping.

⚠ADVARSEL: ALDRI dunk eller slå skiven mot arbeidsstykket.

⚠ADVARSEL: Unngå at skiven hopper eller setter seg fast, særlig ved sliping av hjørner, skarpe kanter osv. Dette kan føre til at du mister kontrollen, og at maskinen slår tilbake mot deg.

⚠ADVARSEL: Maskinen må ALDRI brukes med skjæreblader for tre eller andre sagblader. Hvis slike blader brukes på en slipemaskin, kan de ofte føre til slag fra maskinen, slik at operatøren mister kontrollen og blir skadet.

⚠ADVARSEL: Fortsatt bruk av et utslitt hjul kan resultere i at hjulet eksploderer og forårsaker alvorlig personskade.

⚠FORSIKTIG: Maskinen må aldri slås på mens den er i berøring med arbeidsstykket, da dette kan skade operatøren.

⚠FORSIKTIG: Bruk alltid vernebriller eller ansiktsmaske ved arbeid med maskinen.

⚠FORSIKTIG: Når du er ferdig å bruke maskinen må du alltid slå den av og vente til skiven har stoppet helt før du setter maskinen ned.

⚠FORSIKTIG: Ha ALLTID én hånd på selve verktøyhuset og den andre hånden på støttehåndtaket (håndtaket).

MERK: En skive med dobbelt formål kan brukes til både sliping og kapping.

Se "Bruk med hjul/skive" angående sliping, og se "Bruke kappeskive/diamantskive" angående kapping.

Bruk med hjul/skive

► Fig.28

Slå på maskinen og sett så skiven i berøring med arbeidsstykket.

Generelt skal kanten av skiven holdes i en vinkel på omtrent 15° mot overflaten av arbeidsstykket. I innkjøringsperioden for en ny skive må slipemaskinen ikke brukes i foroverretning, da dette kan føre til at den skjærer inn i arbeidsstykket. Så snart kanten av skiven er rundet av etter å være brukt litt, kan den brukes i både forover- og bakoverretning.

Bruke kappeskive/diamantskive

Valgfritt tilbehør

⚠ADVARSEL: Ikke «klem fast» skiven eller legg sterkt press på den. Ikke forsøk å kutte svært dypt. For mye press på skiven øker belastningen og muligheten for vridning eller fastklemming av skiven i kuttet, noe som kan føre til tilbakeslag, skivebrudd og overoppheting av motoren.

⚠ADVARSEL: Ikke start kappingen mens skiven står i arbeidsstykket. La skiven få full hastighet og sett den forsiktig i kuttet samtidig som du beveger verktøyet fremover over overflaten på arbeidsstykket. Skiven kan sette seg fast, vandre opp eller slå tilbake hvis verktøyet startes med skiven i arbeidsstykket.

⚠ADVARSEL: Ikke endre vinkel på skiven under bruk. Legger du sideveis press på kappeskiven (som ved pussing), kan det føre til at skiven sprekker og brytes i stykker, noe som kan føre til alvorlig personskade.

⚠ADVARSEL: En diamantskive skal brukes vinkelrett på materialet som kuttes.

Eksempel på bruk: med kappeskive med slipeeffekt
► Fig.29

Eksempel på bruk: med diamantskive
► Fig.30

Bruke koppbørsten av stål

Valgfritt tilbehør

⚠FORSIKTIG: Kontroller driften av børsten ved å kjøre verktøyet uten belastning, og forsikre deg om at ingen er foran eller ved siden av børsten.

Eksempel på bruk: med koppbørste av stål
► Fig.31

OBS: Unngå å bruke for stort trykk, som kan føre at metalltrådene bøyes når du bruker børsten. Det kan føre til at de ødelegges for tidlig.

Bruke sirkulær stålbørste

Valgfritt tilbehør

⚠FORSIKTIG: Kontroller driften av skivebørsten ved å kjøre verktøyet uten belastning, og forsikre deg om at ingen er foran eller ved siden av skivebørsten.

Eksempel på bruk: med sirkulærbørste av stål

► Fig.32

OBS: Unngå å bruke for stort trykk, som kan føre at metalltrådene bøyes når du bruker sirkulærbørsten av stål. Det kan føre til at de ødelegges for tidlig.

Bruke hullkutter

Valgfritt tilbehør

⚠FORSIKTIG: Kontroller driften av hullkutteren ved å kjøre verktøyet uten belastning, og forsikre deg om at ingen er foran hullkutteren.

OBS: Ikke vipp verktøyet under bruk. Det kan føre til at det ødelegges tidlig.

Eksempel på bruk: med hullkutter

► Fig.33

VEDLIKEHOLD

⚠FORSIKTIG: Forviss deg alltid om at maskinen er slått av og støpselet trukket ut av kontakten før du foretar inspeksjon eller vedlikehold.

OBS: Aldri bruk gasolin, bensin, tynner alkohol eller lignende. Det kan føre til misfarging, deformering eller sprekkdannelse.

For å opprettholde produktets SIKKERHET og PÅLITELIGHET, må reparasjoner, vedlikehold og justeringer utføres av autoriserte Makita servicesentre eller fabrikk-servicesentre, og det må alltid brukes reservedeler fra Makita.

Rengjøring av luftventil

Maskinen og lufteåpningene må holdes rene. Rengjør maskinens lufteåpninger med jevne mellomrom og ellers når åpningene begynner å tettes.

► Fig.34: 1. Ventilasjonsutløp 2. Innsugsventil

KOMBINASJON AV BRUK OG TILBEHØR

Ekstraustyr

⚠️FORSIKTIG: Bruk av verktøyet med feil vern kan føre til følgende risikoer.

- Når en beskyttelseskappe for kappskive brukes til flatesliping, kan det hende at beskyttelseskappen kommer i veien for arbeidsstykket og fører til dårlig kontroll.
- Når du bruker en beskyttelseskappe for slipeskive til kapping med sammenføyde slipeskiver og diamantskiver, er det større risiko for eksponering for roterende skiver, gnister og partikler, samt eksponering for skivefragmenter i tilfelle skiven sprekker.
- Når en beskyttelseskappe for kappskive eller slipeskive brukes til flatesliping med diamantskiver av kopptypen, kan det hende at beskyttelseskappen kommer i veien for arbeidsstykket og fører til dårlig kontroll.
- Når en beskyttelseskappe for kappskive eller slipeskive brukes med en rund stålborste som er tykkere enn maksimaltykkelsen som er spesifisert under «SPESIFIKASJONER», kan ståltrådene hekte seg i beskyttelseskappen slik at ståltrådene brytter.
- Bruk av beskyttelseskapper med støvoppsamling for kapping og flatebehandling i betong eller murarbeid reduserer risikoen for støveksponering.
- Når det brukes flensmonterte skiver med dobbelt formål (kombinert sliping og kapping), skal du bare bruke en beskyttelseskappe for kappeskive.

► Fig.35

Bare for modell GA4590 / GA4592 / GA5090 / GA5092

-	Bruksområde	115 mm modell	125 mm modell
1	-	Støttehåndtak	
2	-	Beskyttelseskappe (for slipehjul)	
3	-	Indre flens / superflens *1*2	
4	Sliping/pussing	Forsenket nav/klaffskive	
5	-	Låsemutter	
6	-	Ezynut *1*2	
7	-	Reservepute	
8	Sliping/pussing	Flex-hjul	
9	-	Gummihette 100	Gummihette 115
10	Pussing	Slipeskive	
11	-	Låsemutter for sliping	
12	Stålbørsting	Sirkulærbørste av stål	
13	Stålbørsting	Koppbørste av stål	
14	Hullskjæring	Hullkutter	
15	-	Beskyttelseskappe (for kappeskive)	
16	Kapping	Kappeskive/diamantskive	
17	Sliping/kapping	Skive med dobbelt formål	
18	-	Beskyttelseskappe med klips for skjæreskive *3	
19	-	Beskyttelseskappe med støvoppsamler for kapping	
20	Kapping	Diamantskive	
21	-	Beskyttelseskappe med støvoppsamler for sliping	
22	Sliping	Diamantskive av kopptype	
-	-	Låsemutternøkkel	
-	-	Feste for støvhette	

	Bruksområde	115 mm modell	125 mm modell
1	-	Støttehåndtak	
2	-	Beskyttelseskappe (for slipehjul)	
3	-	Indre flens	
4	Sliping/pussing	Forsenket nav/klaffskive	
5	-	Låsemutter	
6	-	Ezynut *1*2	
7	-	Reservepute	
8	Sliping/pussing	Flex-hjul	
9	-	Gummihette 100	Gummihette 115
10	Pussing	Slipeskive	
11	-	Låsemutter for sliping	
12	Stålbørsting	Sirkulærbørste av stål	
13	Stålbørsting	Koppbørste av stål	
14	Hullskjæring	Hullkutter	
15	-	Beskyttelseskappe (for kappeskive)	
16	Kapping	Kappeskive/diamantskive	
17	Sliping/kapping	Skive med dobbelt formål	
18	-	Beskyttelseskappe med klips for skjæreskive *3	
19	-	Beskyttelseskappe med støvoppsamler for kapping	
20	Kapping	Diamantskive	
21	-	Beskyttelseskappe med støvoppsamler for sliping	
22	Sliping	Diamantskive av koppytype	
-	-	Låsemutternøkkel	
-	-	Feste for støvhette	

MERK: *1 Superflens og Ezynut må ikke brukes sammen.

MERK: *2 Kun for verktøy med M14 spindelgjenger.

MERK: *3 Beskyttelseskappe med klips for skjæreskive er ikke tilgjengelig i enkelte land. Du finner mer informasjon i bruksanvisningen for beskyttelseskappen med klips for skjæreskive.

MERK: Superflensen må ikke brukes med slipemaskin med bremsefunksjon.

VALGFRITT TILBEHØR

⚠ FORSIKTIG: Det anbefales at du bruker dette tilbehøret eller verktøyet sammen med den Makita-maskinen som er spesifisert i denne håndboken. Bruk av annet tilbehør eller verktøy kan forårsake personskader. Tilbehør og verktøy må kun brukes til det formålet det er beregnet på.

Ta kontakt med ditt lokale Makita-servicesenter hvis du trenger mer informasjon om dette tilbehøret.

- Tilbehør oppført under «KOMBINASJON AV BRUK OG TILBEHØR»

MERK: Enkelte elementer i listen kan være inkludert som standardtilbehør i verktøypakken. Elementene kan variere fra land til land.





TEKNISET TIEDOT

Malli:		GA4590	GA4591	GA4592	GA5090	GA5091	GA5092
Sopiva hiomalaikka	Laikan suurin halkaisija	115 mm			125 mm		
	Laikan suurin paksuus	7,2 mm					
Sopiva katkaisulaikka	Laikan suurin halkaisija	115 mm			125 mm		
	Laikan suurin paksuus	3,2 mm					
Sopiva teräsharjalaikka	Laikan suurin halkaisija	115 mm			125 mm		
	Laikan suurin paksuus	20 mm					
Karan kierre	M14 tai 5/8" (maakohtainen)						
Karan suurin pituus	23 mm						
Nopeus ilman kuormaa (n ₀) / nimellisnopeus (n)	11 500 min ⁻¹						
Kokonaispituus	326 mm	349 mm	326 mm		349 mm	326 mm	
Nettopaino	2,6–3,8 kg	2,8–4,0 kg	2,6–3,8 kg		2,8–4,0 kg	2,6–3,8 kg	
Suojausluokka	□/II						

- Jatkuvasta tutkimus- ja kehitystyöstämme johtuen esitetyt tekniset tiedot saattavat muuttua ilman erillistä ilmoitusta.
- Tekniset tiedot voivat vaihdella maittain.
- Paino voi olla erilainen lisävarusteista johtuen. EPTA-menetellytavan 01/2014 mukaisesti, taulukossa on kuvattu kevyin ja painavin laiteyhdistelmä.

Symbolit

Laitteessa on mahdollisesti käytetty seuraavia symboleja. Opettele niiden merkitys ennen käyttöä.

	Lue käyttöohje.
	Käytä suojalaseja.
	Käytä aina kahdella kädellä.
	Älä käytä laikan suojusta katkaisukäytössä.
	KAKSINKERTAINEN ERISTYS



Koskee vain EU-maita
Käytetyillä sähkö- ja elektroniikkalaitteilla voi olla negatiivisia ympäristö- ja terveysvaikutuksia niissä käytettyjen haitallisten osien takia.

Älä hävitä sähkö- ja elektroniikkalaitteita kotitalousjätteen mukana!
Vanhoja sähkö- ja elektroniikkalaitteita koskevan EU-direktiivin ja sen perusteella laadittujen kansallisten lakien mukaan käytetyt sähkö- ja elektroniikkalaitteet on kierrätettävä toimittamalla ne erilliseen, ympäristönsuojelusäädösten mukaisesti toimivaan kierrätyspisteeseen.

Tämä on ilmaistu laitteessa olevalla yliviedyn roska-astian symbolilla.

Käyttötarkoitus

Työkalu on tarkoitettu metallin ja kiven karkeaan ja hienoon hiomiseen, reiän leikkaamiseen ja leikkaamiseen ilman vettä.

Virtalähde

Koneen saa kytkeä vain sellaiseen virtalähteeseen, jonka jännite on sama kuin arvokilvessä ilmoitettu, ja sitä saa käyttää ainoastaan yksivaiheisella vaihtovirralla. Laitte on kaksinkertaisesti suojaeristetty ja siksi se voidaan kytkeä myös maadoittamattomaan pistorasiaan.

Melutaso

Tyypillinen A-painotettu melutaso määryty standardin EN62841-2-3 mukaan:

Malli	Äänenpainetaso (L_{pA}): (dB(A))	Äänentehotaso (L_{WA}): (dB(A))	Virhemarginaali (K): (dB(A))
GA4590	93	101	3
GA4591	90	98	3
GA4592	93	101	3
GA5090	93	101	3
GA5091	90	98	3
GA5092	93	101	3

HUOMAA: Ilmoitetut melutasoarvot on mitattu standarditestausten mukaisesti ja niiden avulla voidaan vertailla työkaluja keskenään.

HUOMAA: Ilmoitettuja melutasoarvoja voidaan käyttää myös altistumisen alustavaan arviointiin.

VAROITUS: Käytä kuulosuojaimia.

VAROITUS: Sähkötyökalun käytön aikana mitattu melutasoarvo voi poiketa ilmoitetuista arvoista laitteen käyttötavan ja erityisesti käsiteltävän työkappaleen mukaan.

VAROITUS: Selvitä käyttäjän suojaamiseksi tarvittavat varoitimet todellisissa käyttöolosuhteissa tapahtuvan arvioidun altistumisen mukaisesti (ottaen huomioon käyttöjako kokonaisuudessaan, myös jaksot, joiden aikana laite on sammutettuna tai käy tyhjäkäynnillä).

VAROITUS: Ohuiden metallilevyjen tai muiden helposti tärisevien rakenteiden, joiden pinta-ala on suuri, hiominen voi aiheuttaa kokonaismelupäästö, joka on paljon suurempi (jopa 15 dB) kuin ilmoitetut melupäästöarvot.

Aseta painavia joustavia mattoja tai vastaavia tällaisiin työkappaleisiin niiden äänen vaimentamiseksi.

Ota lisääntynyt melupäästö huomioon sekä meluallistusriskin arvioinnissa että asianmukaisten kuulosuojaimien valinnassa.

Tärinä

Kokonaistärinä (kolmen akselin vektorien summa) määryty standardin EN62841-2-3 mukaan:

Käyttötila: pintahionta tavallista sivukahvaa käyttäen

Malli	Tärinäpäästö ($a_{B, AG}$): (m/s^2)	Virhemarginaali (K): (m/s^2)
GA4590	4,7	1,5
GA4591	5,4	1,5
GA4592	4,7	1,5
GA5090	7,9	1,5
GA5091	7,4	1,5
GA5092	7,9	1,5

Käyttötila: pintahionta tärinänvaimentavaa sivukahvaa käyttäen

Malli	Tärinäpäästö ($a_{B, AG}$): (m/s^2)	Virhemarginaali (K): (m/s^2)
GA4590	4,9	1,5
GA4591	5,2	1,5
GA4592	4,9	1,5
GA5090	8,8	1,5
GA5091	8,7	1,5
GA5092	8,8	1,5

Käyttötölä: laikkahionta tavallista sivukahvaa käyttäen

Malli	Tärinäpäästö ($a_{h, DS}$) : (m/s ²)	Virhemarginaali (K): (m/s ²)
GA4590	3,6	1,5
GA4591	3,2	1,5
GA4592	3,6	1,5
GA5090	2,7	1,5
GA5091	2,7	1,5
GA5092	2,7	1,5

Käyttötölä: laikkahionta tärinänvaimentavaa sivukahvaa käyttäen

Malli	Tärinäpäästö ($a_{h, DS}$) : (m/s ²)	Virhemarginaali (K): (m/s ²)
GA4590	3,5	1,5
GA4591	2,9	1,5
GA4592	3,5	1,5
GA5090	2,8	1,5
GA5091	3,0	1,5
GA5092	2,8	1,5

HUOMAA: Ilmoitetut kokonaistärinäarvot on mitattu standarditestausten mukaisesti ja niiden avulla voidaan vertailla työkaluja keskenään.

HUOMAA: Ilmoitettuja kokonaistärinäarvoja voidaan käyttää myös altistumisen alustavaan arviointiin.

VAROITUS: Sähkötyökalun käytön aikana mitattu todellinen tärinäpäästöarvo voi poiketa ilmoitetuista arvoista laitteen käyttötavan ja erityisesti käsiteltävän työkalupaleen mukaan.

VAROITUS: Selvitä käyttäjän suojaamiseksi tarvittavat varoitimet todellisissa käyttöolosuhteissa tapahtuvan arvioidun altistumisen mukaisesti (ottaen huomioon käyttöjaksot kokonaisuudessaan, myös jaksot, joiden aikana laite on sammutettuna tai käy tyhjäkäynnillä).

VAROITUS: Ilmoitettu tärinäpäästöarvo koskee tämän työkalun pääasiallisia käyttötarkoituksia. Tärinäpäästöarvo voi kuitenkin muuttua, jos työkalua käytetään muihin tarkoituksiin.

EY-vaatimustenmukaisuusvakuutus

Koskee vain Euroopan maita

EY-vaatimustenmukaisuusvakuutus on liitetty tähän käyttöoppaaseen.

TURVAVAROITUKSET

Sähkötyökalujen käyttöä koskevat yleiset varoitukset

VAROITUS: Tutustu kaikkiin tämän sähkötyökalun mukana toimitettuihin varoituksiin, ohjeisiin, kuviin ja teknisiin tietoihin. Seuraavassa lueteltujen ohjeiden noudattamatta jättäminen saattaa johtaa sähköiskuun, tulipaloon tai vakavaan vammautumiseen.

Säilytä varoitukset ja ohjeet tulevaa käyttöä varten.

Varoituksissa käytettävällä termillä "sähkötyökalu" tarkoitetaan joko verkkovirtaa käyttävää (johdollista) työkalua tai akkukäyttöistä (johdotonta) työkalua.

Hiomakoneen turvavaroitukset

Hiontaa, hiekkapaperihiontaa, harjausta ja katkaisua koskevat yleiset varoitukset:

- Tätä sähkötyökalua voidaan käyttää hiomakoneena, hiekkapaperihiomakoneena, teräsharjana reikäleikkurina ja katkaisutyökaluna. Tutustu kaikkiin tämän sähkötyökalun mukana toimitettuihin varoituksiin, ohjeisiin, kuviin ja teknisiin tietoihin. Seuraavassa lueteltujen ohjeiden noudattamatta jättäminen saattaa johtaa sähköiskuun, tulipaloon tai vakavaan henkilövahinkoon.**
- Älä käytä työkalua kiillottamiseen tms.** Toiminnot, joihin tätä sähkötyökalua ei ole suunniteltu, voivat aiheuttaa vaaran ja johtaa henkilövahinkoon.
- Älä muunna tätä sähkötyökalua toimimaan tavalla, joka ei ole nimenomaan työkalun valmistajan suunnittelema tai määrittämä.** Tällainen muunnos voi aiheuttaa hallinnan menetyksen ja vakavia henkilövahinkoja.
- Älä käytä lisävarusteita, jotka eivät ole nimenomaan työkalun valmistajan suunnittelema tai määrittämiä.** Vaikka lisävaruste voidaan kiinnittää sähkötyökaluun, sen käyttö ei silti välttämättä ole turvallista.

2. **Uputetulla navalla varustettujen laikkojen hiomapinnan on oltava suoja-reunan tason alapuolella.** Väärin asennettua laikkaa, joka työntyy suoja-reunan tason läpi, ei ole asianmukaisesti suojattu.
3. **Suojus on kiinnitettävä sähkötyökaluun tukevasti ja mahdollisimman suojaavaan asentoon, että mahdollisimman pieni osa laikasta on paljaana käyttäjää kohti.** Suoja suojaa käyttäjää rikkoutuneen laikan palasilta ja kipinöiltä, jotka voisivat syyttää vaatteet palaamaan, sekä estää vahingossa koskettamista laikkaa.
4. **Laikka saa käyttää vain niiden määritettyihin käyttötarkoituksiin.** Esimerkki: älä käytä katkaisulaikan sivua hiomiseen. Katkaisulaikkaa käytettäessä hionta tapahtuu vain laikan kehällä. Sivuttaisvoimat voivat rikkoa laikan.
5. **Käytä aina ehjiä ja oikean kokoisia laikkalaiippoja, joiden muoto vastaa valittua laikkaa.** Oikeantyyppiset laikkalaiipat tukevat laikkaa ja pienentävät näin laikan rikkoutumisriskiä. Katkaisulaikkoihin tarkoitetut laipat voivat olla erilaisia kuin hiomalaikkojen laipat.
6. **Älä käytä suurempien sähkötyökalujen kulu-neita laikkoja.** Suuriin sähkötyökaluihin tarkoitetut laikat eivät sovi suuremmalla nopeudella toimiviin pienempiin työkaluihin ja voivat siksi hajota.
7. **Käytä kaksoiskäyttölaikkoja käytettäessä aina oikeaa, työhön tarkoitettua suojusta.** Jos oikeaa suojusta ei käytetä, haluttua suojaustasoa ei välttämättä saavuteta, mikä saattaa johtaa vakaviin onnettomuuksiin.

Katkaisua koskevat lisävaroitukset:

1. **Älä pakota katkaisulaikkaa kiinni tai käytä liikaa voimaa.** Älä yritä tehdä liian syvää leikkausuraa. Laikan liiallinen painaminen lisää kuormitusta ja laikan vääntymis- tai juuttumisriskiä, jolloin seurauksena voi olla takapotku tai laikan rikkoutuminen.
2. **Älä asetu samaan linjaan pyörivän laikan taakse.** Kun laikka liikkuu käytettäessä käyttäjästä poispäin, mahdollinen takapotku voi sysätä pyörivän laikan ja sähkötyökaluun suoraan käyttäjää kohti.
3. **Jos laikka takertelee tai työ joudutaan jostakin syystä keskeyttämään, katkaise sähkötyökaluusta virta ja pidä sitä paikoillaan liikkumatta, kunnes laikka on täysin pysähtynyt.** Älä koskaan yritä irrottaa katkaisulaikkaa leikkauksurasta, kun laikka vielä pyörii, koska seurauksena voi olla takapotku. Selvitä laikan takertelun syy ja poista se.
4. **Älä aloita leikkausta uudelleen laikka kiinni työkappaleessa.** Anna laikan saavuttaa täysi pyörimisnopeus ja työnnä laikka sitten varovasti leikkauksuraan. Jos sähkötyökalu käynnistetään, kun se on kiinni työkappaleessa, laikka voi juuttua, ponnahtaa ylös tai aiheuttaa takapotkun.
5. **Vähennä laikan takertelu- ja takapotkuriskiä tukemalla paneelit ja ylisuurat työkappaleet.** Suurikokoiset työkappaleet pyrkivät taipumaan omasta painostaan. Työkappale on tuettava laikan kummaltakin puolelta leikkauslinjan vierestä ja työkappaleen reunoilta.

6. **Ole erityisen varovainen, kun leikkaat ”tas-kuja” valmiisiin seinisiin tai muihin umpinaisiin rakenteisiin.** Ulkoneva laikka voi katkaista kaasutai vesiputken tai sähköjohtojohtoja tai osua takapotkun aiheuttaviin esteisiin.
7. **Älä yritä tehdä kaarevia leikkauksia.** Laikan liiallinen painaminen lisää kuormitusta ja laikan vääntymis- tai juuttumisriskiä, jolloin seurauksena voi olla takapotku tai laikan rikkoutuminen, mistä voi seurata vakava vamma.
8. **Ennen kuin käytät segmentoitua timanttilaikkaa, varmista, ettei segmenttien välinen rako laikan kehällä ole yli 10 mm ja että laikan teräkulma on negatiivinen.**

Hiekkapaperihiontaa koskevat erityiset varoitukset:

1. **Käytä oikean kokoista hiomalaikkapaperia.** Noudata hiekkapaperin valinnassa valmistajan suosituksia. Hiomatyyppien ulkopuolelle ulottuva liian suuri hiekkapaperi voi revetä ja aiheuttaa takertelua, laikkavaurioita tai takapotkun.

Teräsharjausta koskevat erityiset varoitukset:

1. **Ota huomioon, että harjaksia irtoaa harjasta myös normaalikäytössä.** Älä kuormita harjaksia turhaan painamalla liian voimakkaasti. Harjakset voivat helposti tunkeutua kevyen vaate-tuksen ja/tai ihon läpi.
2. **Jos harjauksessa tulee käyttää suojusta, älä anna harjauslaikan tai harjan koskettaa suojukseen.** Harjauslaikan tai harjan halkaisija voi kasvaa kuormituksen ja keskipakoisvoiman vaikutuksesta.

Turvallisuutta koskevat lisävaroitukset:

1. **Jos käytät hiomalaikkaa, jossa on upotettu keskiö, varmista, että laikka on lasikuituvahvisteinen.**
2. **ÄLÄ KOSKAAN käytä tässä hiomakoneessa kiven hiontaan tarkoitettuja kuppilaiikkoja.** Hiomakonetta ei ole suunniteltu tämän tyyppisten laikkojen käyttöön. Vääräntyyppisten laikkojen käyttö voi aiheuttaa vakavan henkilövahingon.
3. **Varo, ettet vahingoita karaa, laippaa (erityisesti asennuspintaa) tai lukkomutteria.** Näiden osien vioittuminen voi aiheuttaa laikan rikkoutumisen.
4. **Varmista, ettei laikka kosketa työkappaleeseen, ennen kuin virta on kytketty päälle kytkimestä.**
5. **Anna koneen käydä jonkin aikaa, ennen kuin alat työstää työkappaletta.** Varo, ettei se värähtele tai tärisse, mikä voi olla merkki siitä, että laikka on huonosti asennettu tai tasapainotettu.
6. **Käytä hiontaan siihen tarkoitettua laikan pintaa.**
7. **Älä jätä työkalua käymään itseksensä.** Käytä laitetta vain silloin, kun pidät sitä kädessä.
8. **Älä kosketa työkappaletta heti käytön jälkeen, sillä se saattaa olla erittäin kuumaa ja polttaa ihoa.**
9. **Älä kosketa lisävarusteita heti käytön jälkeen, sillä ne saattavat olla erittäin kuumia ja polttaa ihoa.**

10. Noudata valmistajan ohjeita laikkojen oikeasta asennuksesta ja käytöstä. Käsittele laikkoja varoen ja säilytä niitä huolella.
11. Älä käytä erillisiä supistusholkkeja tai soveltimia isoaukkoisten hiomalaikkojen kiinnitykseen.
12. Käytä ainoastaan tälle työkalulle tarkoitettuja laippoja.
13. Kun käytät kierreireillä varustetuille laikoille tarkoitettua työkalua, varmista, että laikan kiertete vastaavat pituudeltaan karan pituutta.
14. Varmista, että työkappale on tukevasti paikoillaan.
15. Ota huomioon, että laikka jatkaa pyörimistään vielä sen jälkeen, kun virta on katkaistu.
16. Jos työtila on erittäin kuuma ja kostea tai siinä esiintyy runsaasti sähköä johtavaa pölyä, varmista turvallisuus käyttämällä vikavirtakatkaisinta (30 mA).
17. Älä hio tai leikkaa työkalulla mitään asbestia sisältäviä materiaaleja.
18. Käytä katkaisulaikkaa käytettäessä aina paikallisten määräysten edellyttämää pölyä keräävää laikansuojusta.
19. Katkaisulaikkaa ei saa painaa sivusuunnassa.
20. Älä pidä kankaisia työkasineita käytön aikana. Kankaisista käsineistä irtoavat kuidut voivat päätyä työkalun sisään ja vaurioittaa työkalua.
21. Varmista ennen käyttöä, ettei työkappaleessa ole mitään upotuksia, kuten sähköjohtoja, vesiputkia tai kaasuputkia. Muutoin ne voivat aiheuttaa sähköiskuja, sähkövuotoja tai kaasuvuotoja.
22. Jos laikkaan on kiinnitetty keskiö, älä irrota sitä. Keskiön halkaisijan tulee olla suurempi kuin lukkomutteri, ulkolaippa ja sisälaippa.
23. Tarkista ennen hiomalaikan asennusta, ettei laikan keskiössä ole vaurioita, esimerkiksi halkeamia tai lohkeamia.
24. Kiristä lukkomutteri kunnolla. Laikan kiristäminen liikaa voi aiheuttaa rikkoutumisen, ja kiristäminen liian vähän voi aiheuttaa huojumista.

SÄILYÄ NÄMÄ OHJEET.

VAROITUS: ÄLÄ anna työkalun helpokäyttöisyyden (toistuvan käytön aikaansaama) johtaa sinua väärään turvallisuuden tunteeseen niin, että laiminlyöt työkalun turvaohjeiden noudattamisen. **VÄÄRINKÄYTTÖ** tai tässä käyttöohjeessa ilmoitettujen turvamääräysten laiminlyönti voi aiheuttaa vakavia henkilövahinkoja.

TOIMINTOJEN KUVAUS

HUOMIO: Varmista aina ennen koneen säätöjen ja toiminnallisten tarkistusten tekemistä, että kone on sammutettu ja irrotettu pistorasiasta.

Työkalun suojausjärjestelmä

Työkalussa on työkalun suojausjärjestelmä. Tämä järjestelmä pienentää automaattisesti moottorin virtaa tai katkaisee sen työkalun käyttöänsä pidentämiseksi. Työkalu pienentää virtaa tai pysähtyy automaattisesti kesken käytön, jos työkalussa ilmenee jokin seuraavista tilanteista:

Ylikuormitussuoja

Kun työkalua käytetään tavalla, joka saa sen kuluttamaan epätavallisen suuren määrän virtaa, työkalu pienentää virtaa automaattisesti ilman mitään merkkivaloa tai ilmaisinta. Tässä tapauksessa tulee poistaa ylikuormituksen syy, jotta pyörimisnopeus palautuu.

Ylikuumenemissuoja

Maakohtainen

Työkalun ylikuumentessa työkalu pysähtyy automaattisesti ja merkkivalo alkaa vilkkua punaisena. Anna työkalun tässä tapauksessa jäähtyä. Voit käynnistää työkalun uudelleen, kun merkkivalon väri on vaihtunut punaisesta vihreäksi.

Merkkivalo

► **Kuva1:** 1. Merkkivalo

Merkkivalo syttyy vihreänä, kun työkalu liitetään virransyöttöön.

Jos merkkivalo vilkkuu punaisena, ylikuumenemissuoja, aktiivinen palautteentunnistustekniikka tai vahinkokäynnistyksen estotoiminto lakkaa toimimasta. Tässä tapauksessa työkalusta tulee katkaista virta. Käynnistä sitten työkalu uudelleen kytkemällä virta.

Jos merkkivalo palaa punaisena työkalun virran katkaisemisen jälkeen, työkalu on ylikuumentunut. Tässä tapauksessa tulee antaa työkalun jäähtyä ja odottaa, kunnes merkkivalo palaa vihreänä.

Nopeudensäätöpyörä

Vain mallille GA4590 / GA4591 / GA5090 / GA5091

HUOMIO: Jos konetta käytetään pitkäaikaisesti pienellä nopeudella, moottori ylikuormittuu ja kuumenee.

HUOMIO: Nopeudensäätöpyörää voi kääntää vain arvoon 5 ja takaisin arvoon 1. Älä ohita väkisin arvoa 5 tai 1, koska tällöin nopeudensäätö ei ehkä enää toimi.

Työkälun kiertonopeuden voi muuttaa kiertämällä nopeudensäätöpyörää valittuun numeroon välillä 1 - 5. Nopeus suurenee, kun pyörää kierretään numeron 5 suuntaan. Nopeus pienenee, kun pyörää kierretään numeron 1 suuntaan. Seuraavassa taulukossa on numeroasetuksia vastaava arvioitu pyörimisnopeus.

Numero	Nimellisa nopeus
1	2 800 min ⁻¹
2	4 500 min ⁻¹
3	6 500 min ⁻¹
4	8 000 min ⁻¹
5	11 500 min ⁻¹

► **Kuva2:** 1. Nopeudensäätöpyörä

Akselilukko

VAROITUS: Älä koskaan kytke akselilukkoa päälle karan pyöriessä. Se voi aiheuttaa vakavan vamman tai työkalun vaurioitumisen.

Kun kiinnität tai irrotat lisälaitteita, estä a pyörimistä painamalla lukitusta.

► **Kuva3:** 1. Akselilukko

Kytkimen käyttäminen

HUOMIO: Ennen työkalun liittämistä virran syöttöön, tarkista, että liukukytkin kytkeytyy oikein ja palautuu OFF-asentoon, kun liukukytkimen takaosaa painetaan.

HUOMIO: Kytkimen voi lukita "ON"-asentoon, jotta pitkäaikainen käyttö olisi käyttäjälle mukavampaa. Noudata varovaisuutta lukitessasi työkalun "ON"-asentoon ja pidä työkalusta luja ote.

Työkalu käynnistetään painamalla liukukytkimen takaosaa ja liu'uttamalla se sitten eteenpäin "I (ON)" -asentoon.

Jos haluat aktivoida jatkuvan käynnin, lukitse liukukytkin painamalla sen etuosaa.

► **Kuva4:** 1. Liukukytkin

Työkalu pysäytetään painamalla liukukytkimen takaosaa niin, että liukukytkin palautuu "O (OFF)" -asentoon.

► **Kuva5:** 1. Liukukytkin

Sähköinen toiminta

Aktiivinen jälkipotkun tunnistustekniikka

HUOMIO: Pidä työkalusta lujasti kiinni, kunnes sen pyörimisliike lakkaa.

Työkalu tunnistaa sähköisesti tilanteet, joissa laikka tai lisävaruste voi olla vaarassa juuttua. Tällöin työkalu sammuu automaattisesti, mikä estää karan pyörimisen (se ei estä takapotkua).

Kun näin käy, merkkivalo vilkkuu punaisena, mikä ilmaisee, että aktiivinen jälkipotkun tunnistustekniikka on toiminnassa. Voit käynnistää työkalun uudelleen sammuttamalla sen ensin, poistamalla syyn äkilliseen pyörimisnopeuden laskuun ja käynnistämällä työkalun.

Vahinkokäynnistyksen estotoiminto

Jos työkalu kytketään virtaan kytkimen ollessa ON-asennossa, työkalu ei käynnisty.

Merkkivalo vilkkuu tällöin punaisena osoituksena vahinkokäynnistyksen estotoiminnosta.

Käynnistä työkalu kytkemällä kytkin pois ja uudelleen päälle.

Vakionopeuden säätö

Kauniin viimeistelyn saavuttaminen on mahdollista, koska pyörimisnopeutta pidetään vakiona jopa kuormituksen alla.

Pehmeä käynnisty

Pehmeä käynnistystoiminto vaimentaa käynnistysnykäystä.

Mekaaninen jarru

Vain mallille GA4591 / GA5091

Mekaaninen jarru aktivoituu, kun työkalun virta katkaistaan.

Jarru ei toimi, jos virtalähteen virta on katkaistu mutta virtakytkin on päällä.

KOKOONPANO

HUOMIO: Varmista aina ennen koneelle tehtäviä toimenpiteitä, että kone on sammutettu ja irrotettu pistorasiasta.

Sivukahvan asentaminen (kahva)

HUOMIO: Varmista aina ennen käyttöä, että sivukahva on tukevasti paikoillaan.

Kiinnitä sivukahva koneeseen kuvan osoittamalla tavalla.

► **Kuva6**

Laikan suojuksen asentaminen tai irrottaminen

VAROITUS: Jos käytössä on upotetulla navalla varustettu hiomalaikka, lamellilaikka, joustava laikka tai teräsharjalaikka, laikan suojuksen on kiinnitettävä työkaluun niin, että suojuksen umpinainen puoli tulee aina käyttäjää kohti.

VAROITUS: Varmista, että lukitusvipu on jossakin laikan suojuksen rei'istä ja pitää laikan suojuksen varmasti paikallaan.

VAROITUS: Varmista hiomakatkaisu-/timanttilaikkaa käyttäessäsi, että käytät ainoastaan katkaisulaikoille tarkoitettua erikoislaikan suojusta.

Upotetulla navalla varustettu laikka, lamellilaikka, joustolaikka, teräsharjalaikka / hiova katkaisulaikka, timanttilaikka

1. Pidä lukitusvipu painettuna ja kiinnitä laikan suojusta, kun joustuksen ulokkeet tulevat laakerikotelon lovien kohdalle.

► **Kuva7:** 1. Lukitusvipu 2. Lovi 3. Uloke

2. Paina lukitusvipua suuntaan A samalla, kun pidät laikan suojuksen kuvan mukaisia osia B painettuina.

► **Kuva8:** 1. Laikan suojusta 2. Reikä

HUOMAA: Paina laikan suojusta alas suorassa. Muutoin laikan suojusta ei voi kiinnittää.

3. Voit muuttaa laikan suojuksen kulmaa työn mukaan käyttäjää parhaiten suojaavaksi pitämällä lukitusvipua painettuna suuntaan A samalla, kun käännät laikan suojusta suuntaan C. Kohdistat lukitusvipu johonkin laikan suojuksessa olevaan reikään ja lukitse laikan suojusta sitten paikalleen vapauttamalla lukitusvipu.

► **Kuva9:** 1. Laikan suojusta 2. Reikä

Irrota laikan suojusta päinvastaisessa järjestyksessä.

Katkaisulaikan pikakiinnitettävä suojusta

Lisävaruste

HUOMAA: Katkaisutoimenpiteitä varten laikan suojuksen (hiomalaikka) kanssa voidaan käyttää katkaisulaikan pikakiinnitettävää suojusta.

Ei saatavilla kaikissa maissa.

► **Kuva10**

Upotetulla navalla varustetun laikan tai lamellilaikan asentaminen ja irrottaminen

Lisävaruste

VAROITUS: Jos käytössä on upotetulla navalla varustettu laikka tai lamellilaikka, laikan suojusta on kiinnitettävä työkaluun niin, että suojuksen umpinainen puoli tulee aina käyttäjää kohti.

VAROITUS: Varmista, että sisälaipan asennusosa sopii upotetulla navalla varustetun laikan/lamellilaikan sisähalkaisijaan täydellisesti. Sisälaipan asentaminen väärälle puolelle saattaa aiheuttaa vaarallista tärinää.

Asenna sisälaippa karaan.

Varmista, että sisälaipan upotettu kohta on vasten karan alaosan suoraa osaa.

Sovita upotetulla navalla varustettu laikka/lamellilaikka sisälaipalle ja kierrä lukkomutteri karaan.

► **Kuva11:** 1. Lukkomutteri 2. Upotetulla navalla varustettu laikka 3. Sisälaippa 4. Asennusosa

Kiristä lukkomutteri painamalla akselilukkoa voimakkaasti niin, ettei kara pääse pyörimään, ja kiristä lukkomutteri sitten lukkomutteriavaimella myötäpäivään kääntämällä.

► **Kuva12:** 1. Lukkomutteriavain 2. Akselilukko

Laikka irrotetaan päinvastaisessa järjestyksessä.

Joustolaikan kiinnitys ja irrotus

Lisävaruste

VAROITUS: Käytä aina mukana toimitettua suojusta, kun joustolaikka on kiinni työkalussa. Laikka voi hajota käytössä, joten suojusta vähentää henkilövahingon riskiä.

► **Kuva13:** 1. Lukkomutteri 2. Joustolaikka 3. Varatyyny 4. Sisälaippa

Noudata upotetulla navalla varustettua laikkaa koskevia ohjeita, mutta käytä lisäksi laikan päällä varatyynyä.

Hiomalaikan asentaminen tai irrottaminen

Lisävaruste

► **Kuva14:** 1. Hiennon lukkomutteri 2. Hiomalaikka 3. Kumityyny

1. Asenna kumityyny karaan.

2. Sovita laikka kumityynyyn ja kiinnitä hiomalaikan lukkomutteri karaan.

3. Pidätä karaa akselilukulla ja kiristä hiomalaikan lukkomutteria myötäpäivään lukkomutteriavaimella.

Irrota laikka päinvastaisessa järjestyksessä.

HUOMAA: Käytä vain tässä ohjekirjassa määritettyjä hiomakoneita. Ne on ostettava erikseen.

Superlaippa

Lisävaruste

Vain mallille GA4590 / GA4592 / GA5090 / GA5092

Superlaippa on erikoisvaruste mallille, jossa EI ole jarrutoimintoa. Lukkomutterin avaamiseen tarvitaan vain 1/3 tavallisen laipan edellyttämästä aukaisuvoimasta.

Ezynut-mutterin asennus tai irrotus

Lisävaruste

Vain työkaluille, joiden karan kierre on M14.

HUOMIO: Älä käytä Ezynut-mutteria superlaipan kanssa. Nämä laipat ovat niin paksuja, että kara ei voi tukea koko kierrettä.

Kiinnitä sisälaippa, hiomalaikka ja Ezynut karaan niin, että Ezynutin Makita-logo näkyy ulospäin.

► **Kuva15:** 1. Ezynut 2. Hiomalaikka 3. Sisälaippa 4. Kara

Paina akselilukkoa tiukasti ja kiristä Ezynut kiertämällä hiomalaikkaa myötäpäivään niin pitkälle kuin se menee.

► **Kuva16:** 1. Akselilukko

Löysää Ezynut-mutteria kääntämällä Ezynutin ulkorengasta vastapäivään.

HUOMAA: Ezynut voidaan löysätä käsivoimin aina, kun nuoli on loven kohdalla. Muissa tapauksissa avaamiseen tarvitaan sakara-avainta. Sovita yksi avaimen sakara koloon ja kierrä Ezynutia vastapäivään.

► **Kuva17:** 1. Nuoli 2. Lovi

► **Kuva18**

Hiovan katkaisulaikan/timanttilaikan asentaminen

Lisävaruste

VAROITUS: Varmista hiomakatkaisu-/timanttilaikkaa käyttäessäsi, että käytät ainoastaan katkaisulaikoille tarkoitettua erikoislaikansuojusta.

VAROITUS: ÄLÄ KOSKAAN käytä katkoloikkaa sivun hiontaan.

- **Kuva19:** 1. Lukkomutteri 2. Hiova katkaisulaikka/timanttilaikka 3. Sisälaippa 4. Hiovan katkaisulaikan/timanttilaikan suojus

Noudata asennuksessa upotetulla navalla varustetun laikan ohjeita.

Sisälaipan ja lukkomutterin kiinnityssuunta vaihtelee laikan tyyppin ja paksuuden mukaan.

Katso yksityiskohtia seuraavista kuvista.

Hiovan katkaisulaikan asennus:

- **Kuva20:** 1. Lukkomutteri 2. Hiova katkaisulaikka (ohuempi kuin 4 mm) 3. Hiova katkaisulaikka (4 mm tai paksumpi) 4. Sisälaippa

Timanttilaikan asennus:

- **Kuva21:** 1. Lukkomutteri 2. Timanttilaikka (ohuempi kuin 4 mm) 3. Timanttilaikka (4 mm tai paksumpi) 4. Sisälaippa

Teräskuppiharjan asentaminen

Lisävaruste

HUOMIO: Älä käytä harjaa, jos se on vaurioitunut tai epätasapainossa. Vaurioituneen harjan käyttäminen voi aiheuttaa loukkaantumisvaaran katkenneiden harjasten takia.

Aseta työkalu ylösalaisin, jotta karaan päästään helposti käsiksi.

Poista karassa mahdollisesti olevat lisävarusteet. Kierrä teräskuppiharja karaan ja kiristä se työkalun mukana toimitettavalla avaimella.

- **Kuva22:** 1. Teräskuppiharja

Teräsharjalaikan asentaminen

Lisävaruste

HUOMIO: Älä käytä teräsharjalaiikkaa, jos se on vaurioitunut tai epätasapainossa. Vaurioituneen teräsharjalaikan käyttäminen voi aiheuttaa loukkaantumisvaaran katkenneiden harjasten takia.

HUOMIO: Käytä teräsharjalaikan kanssa AINA suojusta. Varmista, että laikka mahtuu suojuksen sisäpuolelle. Laikka voi hajota käytössä, joten suojus vähentää henkilövahingon riskiä.

Aseta työkalu ylösalaisin, jotta karaan päästään helposti käsiksi.

Poista karassa mahdollisesti olevat lisävarusteet.

Kiinnitä teräsharjalaiikka karaan ja kiristä se avaimilla.

- **Kuva23:** 1. Teräsharjalaiikka

Reikäleikkurin asentaminen

Lisävaruste

Aseta työkalu ylösalaisin, jotta karaan päästään helposti käsiksi. Poista karassa mahdollisesti olevat lisävarusteet. Kierrä reikäleikkuri karaan ja kiristä se toimitukseen kuuluvalla kiintoavaimella.

- **Kuva24:** 1. Reikäleikkuri

Pölyä keräävän laikan suojuksen asentaminen hiomista varten

Lisävaruste

Tätä laitetta voi käyttää valinnaisten lisävarusteiden avulla betonipintojen tasohiontaan.

HUOMIO: Tärinää vaimentavan timanttilaikan pölyä keräävää suojusta käytetään vain betonipintojen tasohiontaan tärinää vaimentavalla timanttilaikalla. Älä käytä suojusta muiden leikkuuvälineiden kanssa tai muuhun tarkoitukseen.

HUOMIO: Varmista ennen käyttöä, että pölynimuri on yhdistetty laitteeseen ja että se on käynnissä.

Aseta työkalu ylösalaisin ja asenna pölyä keräävä laikan suojus. Asenna sisälaippa karaan.

Sovita timanttikuppilaikka sisälaipalle ja kierrä lukkomutteri karaan.

- **Kuva25:** 1. Lukkomutteri 2. Timanttikuppilaikka 3. Navallinen timanttikuppilaikka 4. Sisälaippa 5. Pölyä keräävä laikan suojus 6. Laakeripesä

HUOMAA: Katso pölyä keräävän laikan suojuksen asennusohjeet sen käyttöohjeista.

Pölyä keräävän laikan suojuksen asentaminen leikkaamista varten

Lisävaruste

Tätä laitetta voidaan käyttää valinnaisten lisävarusteiden avulla kivimateriaalien leikkaamiseen.

- **Kuva26**

HUOMAA: Katso pölyä keräävän laikan suojuksen asennusohjeet sen käyttöohjeista.

Pölynimurin kytkeminen

Lisävaruste

VAROITUS: Älä koskaan imuroi hionnasta/sahauksesta/hiomisesta muodostuvia metallihiukkasia. Näiden toimintojen aikana muodostuvat metallihiukkaset ovat niin puumia, että ne voivat syyttää pölynimurin sisäpuolella olevan pölyn ja suodattimen palamaan.

Kivimateriaalin sahaamisesta muodostuvan pölyisen ympäristön välttämiseksi, käytä pölyä keräävää laikan suojusta ja pölynimuria.

Katso pölyn keräävän laikan suojuksen käyttöohjeesta lisätietoja sen asentamisesta ja käytöstä.

- **Kuva27:** 1. Pölyä keräävä laikan suojus 2. Pölynimurin letku

Pölykannen kiinnittimen asennus ja irrotus

Lisävaruste

▲HUOMIO: Varmista aina ennen pölykannen kiinnittimen asentamista tai irrotusta, että laite on sammutettu ja kytketty irti verkosta. Jos näin ei tehdä, seurauksena voi olla laitteen vaurioituminen tai henkilövahinkoja.

Asenna pölykannen kiinnitin jokaiseen osoitettuun paikkaan. Katso lisätietoja pölykannen kiinnittimen käyttöoppaasta.

HUOMAUTUS: Puhdista pölykannen kiinnitin, kun se on tukkeutunut vieraista aineista. Työn jatkaminen tukkeutuneella pölykannen kiinnittimellä vahingoittaa laitetta.

TYÖSKENTELY

▲VAROITUS: Älä koskaan pakota konetta. Koneen oma paino riittää. Pakottaminen ja liiallinen painaminen voi aiheuttaa vaarallisen laikan rikkoutumisen.

▲VAROITUS: Vaihda laikka AINA, jos kone pääsee putoamaan hionnan aikana.

▲VAROITUS: ÄLÄ KOSKAAN iske tai kolhi laikkaa työkaluun.

▲VAROITUS: Vältä laikan pomppimista ja jumittumista varsinkin silloin, kun työstät nurkkia, teräviä reunoja ja niin edelleen. Seurauksena voi olla hallinnan menetys ja takapotku.

▲VAROITUS: ÄLÄ KOSKAAN asenna koneeseen puun leikkaamiseen tarkoitettuja teriä tai muita sahanteriä. Kulmahiomakoneessa käytettyjä nämä terät aiheuttavat usein takapotkun ja hallinnan menetyksen, jolloin seurauksena voi olla henkilövahinko.

▲VAROITUS: Kuluneet laikan käytön jatkaminen voi johtaa laikan räjähtämiseen ja vakavaan tapaturmaan.

▲HUOMIO: Älä koskaan käynnistä konetta, kun se koskettaa työkaluun, koska tämä voi aiheuttaa käyttäjälle vammoja.

▲HUOMIO: Käytä aina suojalaseja tai kasvosuojusta käytön aikana.

▲HUOMIO: Käytön jälkeen katkaise koneesta aina virta ja odota, kunnes laikka on täysin pysähtynyt ennen kuin lasket koneen käsistä.

▲HUOMIO: Ota työkalusta AINA tukeva ote toisen käden ollessa rungossa ja toisen käden ollessa sivukahvassa (kahva).

HUOMAA: Kaksitoimilaikkaa voidaan käyttää sekä hiomiseen että leikkaamiseen.

Katso ohjeita hiomisesta kohdasta "Käyttäminen laikalla" ja leikkaamisesta kohdasta "Hiovan katkaisulaikan/timanttilaikan käyttäminen".

Käyttäminen laikalla

► Kuva28

Käynnistä kone ja vie sitten laikka työkaluun. Pidä yleisesti laikkaa noin 15°:een kulmassa työkaluun pintaan nähden.

Kun ajat sisään uutta laikkaa, älä käytä hiomakonetta hioaksesi eteenpäin, koska tällöin laikka voi leikata työkaluun. Sitten kun laikan reuna on pyöristynyt käytössä, konetta voidaan käyttää sekä eteenpäin että taaksepäin.

Hiovan katkaisulaikan/timanttilaikan käyttäminen

Lisävaruste

▲VAROITUS: Älä anna laikan juuttua kiinni tai työnnä sitä liiallisella voimalla. Älä yritä tehdä liian syvää uraa. Laikan liiallinen painaminen voi aiheuttaa laikan kiertymisen tai juuttumisen, takapotkun, laikan rikkoutumisen tai moottorin ylikuumentumisen.

▲VAROITUS: Älä aloita leikkaamista työkalu kiinni työstettävässä kappaleessa. Anna laikan saavuttaa täysi nopeus ja aseta se varovasti leikkattavaan kohtaan työntämällä työkalua eteenpäin työstettävän kappaleen pinnan yli. Laikka saattaa juuttua, nousta ylös tai potkaista takaisin, jos työkalu käynnistetään kiinni työstettävässä kappaleessa.

▲VAROITUS: Leikkaustoiminnan aikana, älä koskaan vaihda laikan kulmaa. Jos sijoitat katkaisulaikkaan sivupainetta (kuten hiomisen aikana), se voi aiheuttaa laikan murtumisen ja katkeamisen, mikä voi aiheuttaa henkilövahingon.

▲VAROITUS: Timanttilaikkaa on pidettävä koh-tisuorassa leikkattavaan materiaaliin nähden.

Käyttöesimerkki: hiovan katkaisulaikan käyttäminen

► Kuva29

Käyttöesimerkki: timanttilaikan käyttäminen

► Kuva30

Teräskuppiharjan käyttö

Lisävaruste

▲HUOMIO: Tarkista harjan toiminta käyttämällä työkalua ilman kuormitusta. Varmista, ettei kukaan ole harjan tiellä.

Käyttöesimerkki: teräskuppiharjan käyttäminen

► Kuva31

HUOMAUTUS: Vältä liiallista painamista, koska se voi aiheuttaa harjasten liiallista taipumista harjaa käytettäessä. Se voi aiheuttaa ennenaikaisen rikkoutumisen.

Teräsharjalaikan käyttäminen

Lisävaruste

⚠️HUOMIO: Tarkista teräsharjalaikan toiminta käyttämällä työkalua ilman kuormitusta. Varmista, ettei kukaan ole teräsharjalaikan tiellä.

Käyttöesimerkki: teräsharjalaikan käyttäminen

► Kuva32

HUOMAUTUS: Vältä liiallista painamista, koska se voi aiheuttaa harjasten liiallista taipumista harjalaikkaa käytettäessä. Se voi aiheuttaa ennenaikaisen rikkoutumisen.

Reikäleikkurin käyttö

Lisävaruste

⚠️HUOMIO: Tarkista reikäleikkurin toiminta käyttämällä työkalua ilman kuormitusta. Varmista, ettei kukaan ole reikäleikkurin edessä.

HUOMAUTUS: Älä kallista työkalua työkentelyn aikana. Se voi aiheuttaa ennenaikaisen rikkoutumisen.

Käyttöesimerkki: reikäleikkurin käyttäminen

► Kuva33

KUNNOSSAPITO

⚠️HUOMIO: Varmista aina ennen tarkastuksia ja huoltotyötä, että työkalu on sammutettu ja irrotettu virtalähteestä.

HUOMAUTUS: Älä koskaan käytä bensiiniä, ohenteita, alkoholia tai tms. aineita. Muutoin pinta voi halkeilla tai sen värit ja muoto voivat muuttua. Muutoin laitteeseen voi tulla värjäytymiä, muodon vääristymiä tai halkeamia.

Tuotteen TURVALLISUUDEN ja LUOTETTAVUUDEN takaamiseksi korjaukset, muut huoltotyöt ja säädöt on teetettävä Makitan valtuutetussa huoltopisteessä Makitan varaosia käyttäen.

Ilma-aukkojen puhdistaminen

Kone ja sen ilma-aukot on pidettävä puhtaina. Puhdista koneen ilma-aukot säännöllisesti tai aina kun ne alkavat tukkeutua.

► **Kuva34:** 1. Ilman poistoaukko 2. Ilman tuloaukko

SOVELLUSTEN JA LISÄVARUSTEIDEN YHDISTELMÄ

Lisävaruste

⚠️HUOMIO: Työkalun käyttäminen virheellisten suojusten kanssa voi aiheuttaa seuraavia riskejä.

- Jos käytetään katkaisulaikan suojusta pintahiontaan, laikan suojus saattaa koskettaa työkalualetta ja haitata hallintaa.
- Jos käytetään hiomalaikan suojusta katkaisemiseen hiomalaikoilla ja timanttilaikoilla, on suurempi vaara altistua pyöriville laikoille, syntyville kipinöille ja hiukkasille sekä laikan pirstaleille, jos se rikkoutuu.
- Jos käytetään katkaisulaikan suojusta tai hiomalaikan suojusta pintahiontaan timanttikuppilaikoilla, laikan suojus saattaa koskettaa työkalualetta ja haitata hallintaa.
- Jos käytetään katkaisulaikan suojusta tai hiomalaikan suojusta lankaharjalaikan kanssa, jonka pak-suus on suurempi kuin teknisissä tiedoissa määritetty, langat saattavat tarttua suojukseen ja katketa.
- Pölyä keräävien laikan suojusten käyttäminen betonin tai kiven leikkaamiseen ja pintakäsittelyyn pienentää pölylle altistumisen riskiä.
- Jos käytetään kaksikäyttöisiä (yhdistetty hionta ja katkaisu) laippakiinnitteisiä laikkoja, käytä vain katkaisulaikan suojusta.

► Kuva35

Vain mallille GA4590 / GA4592 / GA5090 / GA5092

-	Käyttö	115 mm malli	125 mm malli
1	-	Sivukahva	
2	-	Laikan suojus (hiomalaikalle)	
3	-	Sisälaippa/superlaippa *1*2	
4	Hionta	Upotetulla navalla varustettu laikka / lamellilaikka	
5	-	Lukkomutteri	
6	-	Ezynut *1*2	
7	-	Varatyyny	
8	Hionta	Joustolaikka	
9	-	Kumityyny 100	Kumityyny 115
10	Hionta	Hiomalaikka	
11	-	Hionnan lukkomutteri	
12	Teräsharjaus	Teräsharjalaikka	
13	Teräsharjaus	Teräskuppiharja	
14	Reiän leikkaus	Reikäleikkuri	
15	-	Laikan suojus (katkaisulaikalle)	
16	Leikkaaminen	Hiova katkaisulaikka / timanttilaikka	
17	Hionta/leikkaaminen	Kaksoiskäyttölaikka	
18	-	Katkaisulaikan pikakiinnitettävä suojus *3	
19	-	Pölyä keräävä laikan suojus leikkaamista varten	
20	Leikkaaminen	Timanttilaikka	
21	-	Pölyä keräävä laikan suojus hiomakäyttöön	
22	Hionta	Timanttikuppilaikka	
-	-	Lukkomutteriavain	
-	-	Pölykannen kiinnitin	

	Käyttö	115 mm malli	125 mm malli
1	-	Sivukahva	
2	-	Laikan suojus (hiomalaikalle)	
3	-	Sisälaippa	
4	Hionta	Upotetulla navalla varustettu laikka / lamellilaikka	
5	-	Lukkomutteri	
6	-	Ezynut *1*2	
7	-	Varatyyny	
8	Hionta	Joustolaikka	
9	-	Kumityyny 100	Kumityyny 115
10	Hionta	Hiomalaikka	
11	-	Hionnan lukkomutteri	
12	Teräsharjaus	Teräsharjalaikka	Teräsharjalaikka
13	Teräsharjaus	Teräskuppiharja	Teräskuppiharja
14	Reiän leikkaus	Reikäleikkuri	
15	-	Laikan suojus (katkaisulaikalle)	
16	Leikkaaminen	Hiova katkaisulaikka / timanttilaikka	
17	Hionta/leikkaaminen	Kaksoiskäyttölaikka	
18	-	Katkaisulaikan pikakiinnitettävä suojus *3	
19	-	Pölyä keräävä laikan suojus leikkaamista varten	
20	Leikkaaminen	Timanttilaikka	
21	-	Pölyä keräävä laikan suojus hiomakäyttöön	
22	Hionta	Timanttikuppilaikka	
-	-	Lukkomutteriavain	
-	-	Pölykannen kiinnitin	

HUOMAA: *1 Älä käytä superlaippaa ja Ezynut-mutteria yhdessä.

HUOMAA: *2 Vain työkaluille, joiden karan kierre on M14.

HUOMAA: *3 Katkaisulaikan klipsisuojusta ei ole saatavana eräissä maissa. Katso lisätietoja katkaisulaikan klipsisuojuksen käyttöoppaasta.

HUOMAA: Älä käytä superlaippaa jarrullisessa laitteessa.

LISÄVARUSTEET

⚠HUOMIO: Seuraavia lisävarusteita tai laitteita suositellaan käytettäväksi tässä ohjeessa kuvatun Makita-työkalun kanssa. Muiden lisävarusteiden tai laitteiden käyttö voi aiheuttaa henkilövahinkoja. Käytä lisävarusteita ja -laitteita vain niiden käyttötarkoituksen mukaisesti.

Jos tarvitset apua tai yksityiskohtaisempia tietoja seuraavista lisävarusteista, ota yhteys paikalliseen Makitan huoltoon.

- SOVELLUSTEN JA LISÄVARUSTEIDEN YHDISTELMÄ -kohdassa luetellut lisävarusteet

HUOMAA: Jotkin luettelossa mainitut varusteet voivat sisältyä työkalun toimitukseen vakiovarusteina. Ne voivat vaihdella maittain.



SPECIFIKATIONER

Model:		GA4590	GA4591	GA4592	GA5090	GA5091	GA5092
Anvendelig slibeskive	Maks. diameter af skiven	115 mm			125 mm		
	Maks. skivetykkelse	7,2 mm					
Anvendelig afskæringsskive	Maks. diameter af skiven	115 mm			125 mm		
	Maks. skivetykkelse	3,2 mm					
Anvendelig trådskevebørste	Maks. diameter af skiven	115 mm			125 mm		
	Maks. skivetykkelse	20 mm					
Spindelgevind		M14 eller 5/8" (landespecifik)					
Maks. spindellængde		23 mm					
Hastighed uden belastning (n_0) / Mærkehastighed (n)		11.500 min ⁻¹					
Længde i alt		326 mm	349 mm	326 mm	349 mm	326 mm	
Nettovægt		2,6 - 3,8 kg	2,8 - 4,0 kg	2,6 - 3,8 kg	2,8 - 4,0 kg	2,6 - 3,8 kg	
Sikkerhedsklasse		□/II					

- På grund af vores kontinuerlige forsknings- og udviklingsprogrammer kan hosstående specifikationer blive ændret uden varsel.
- Specifikationer kan variere fra land til land.
- Vægten kan være anderledes afhængigt af tilbehør. Den letteste og tungeste kombination i henhold til EPTA-procedure 01/2014 er vist i tabellen.

Symboler

Følgende viser de symboler, der muligvis anvendes til udstyret. Sørg for, at du forstår deres betydning før brugen.

	Læs brugsanvisningen.
	Bær sikkerhedsbriller.
	Betjen altid med to hænder.
	Brug ikke beskyttelsesskærmen til afskæring.
	DOBBELT ISOLERING



Kun for lande inden for EU
Brugt elektrisk og elektronisk udstyr kan have en negativ indvirkning på miljøet og folkesundheden på grund af tilstedeværelsen af farlige komponenter i udstyret. Bortskaf ikke elektriske og elektroniske apparater sammen med husholdningsaffald!

I overensstemmelse med EF-direktiv om affaldshåndtering af elektrisk og elektronisk udstyr, og i overensstemmelse med national lovgivning, skal brugt elektrisk og elektronisk udstyr opbevares separat og leveres til et separat indsamlingssted til kommunalt affald, der er etableret i henhold til bestemmelserne om miljøbeskyttelse. Dette er angivet ved symbolet på den krydsede skraldespand, der er placeret på udstyret.

Tilsigtet anvendelse

Denne maskine er beregnet til afslibning, sandslibning, trådbørstning, hullskæring og skæring i metal- og stenmaterialer uden anvendelse af vand.

Strømforsyning

Maskinen må kun tilsluttes en strømforsyning med samme spænding som angivet på typeskiltet og kan kun anvendes på enfaset vekselstrømforsyning. Den er dobbeltisoleret og kan derfor også tilsluttes netstik uden jordforbindelse.

Støj

Det typiske A-vægtede støjniveau bestemt i overensstemmelse med EN62841-2-3:

Model	Lydtrykniveau (L_{pA}): (dB (A))	Lydeffektniveau (L_{WA}): (dB (A))	Usikkerhed (K): (dB (A))
GA4590	93	101	3
GA4591	90	98	3
GA4592	93	101	3
GA5090	93	101	3
GA5091	90	98	3
GA5092	93	101	3

BEMÆRK: De(n) angivne støjemissionsværdi(er) er målt i overensstemmelse med en standardtestmetode og kan anvendes til at sammenligne en maskine med en anden.

BEMÆRK: De(n) angivne støjemissionsværdi(er) kan også anvendes i en præliminær eksponeringsvurdering.

⚠ ADVARSEL: Bær høreværn.

⚠ ADVARSEL: Støjemissionen under den faktiske anvendelse af maskinen kan være forskellig fra de(n) angivne værdi(er), afhængigt af den måde hvorpå maskinen anvendes, især den type arbejdsemne der behandles.

⚠ ADVARSEL: Sørg for at identificere de sikkerhedsforskrifter til beskyttelse af operatøren, som er baseret på en vurdering af eksponering under de faktiske brugsforhold (med hensyntagen til alle dele i brugscyklussen, f.eks. de gange, hvor maskinen er slukket, og når den kører i tomgang i tilgift til afbrydertiden).

⚠ ADVARSEL: Slibning af tynde metalplader eller andre nemt vibrerende strukturer med en stor overflade kan resultere i en samlet støjemission, som er meget højere (op til 15 dB) end de angivne støjemissionsværdier.

Placer tunge fleksible dæmpende måtter eller lignende på disse arbejdsemner for at forhindre dem i at udsende lyd.

Tag den forøgede støjemission med i overvejslen for både risikovurderingen for udsættelse af støj og valg af passende høreværn.

Vibration

Vibrationens totalværdi (tre-aksial vektorsum) bestemt i overensstemmelse med EN62841-2-3:

Funktionstilstand: overfladeslibning med normalt sidehåndtag

Model	Vibrationsafgivelse ($a_{hv, AG}$): (m/s ²)	Usikkerhed (K): (m/s ²)
GA4590	4,7	1,5
GA4591	5,4	1,5
GA4592	4,7	1,5
GA5090	7,9	1,5
GA5091	7,4	1,5
GA5092	7,9	1,5

Funktionstilstand: overfladeslibning med anti-vibrations-sidehåndtag

Model	Vibrationsafgivelse ($a_{hv, AG}$): (m/s ²)	Usikkerhed (K): (m/s ²)
GA4590	4,9	1,5
GA4591	5,2	1,5
GA4592	4,9	1,5
GA5090	8,8	1,5
GA5091	8,7	1,5
GA5092	8,8	1,5

Funktionstilstand: disksandslibning med normalt sidehåndtag

Model	Vibrationsemission ($a_{hr, DS}$) : (m/s ²)	Usikkerhed (K): (m/s ²)
GA4590	3,6	1,5
GA4591	3,2	1,5
GA4592	3,6	1,5
GA5090	2,7	1,5
GA5091	2,7	1,5
GA5092	2,7	1,5

Funktionstilstand: disksandslibning med anti-vibrations-sidehåndtag

Model	Vibrationsemission ($a_{hr, DS}$) : (m/s ²)	Usikkerhed (K): (m/s ²)
GA4590	3,5	1,5
GA4591	2,9	1,5
GA4592	3,5	1,5
GA5090	2,8	1,5
GA5091	3,0	1,5
GA5092	2,8	1,5

BEMÆRK: De(n) angivne totalværdi(er) for vibration er målt i overensstemmelse med en standardtestmetode og kan anvendes til at sammenligne en maskine med en anden.

BEMÆRK: De(n) angivne totalværdi(er) for vibration kan også anvendes i en præliminær eksponeringsvurdering.

⚠ ADVARSEL: Vibrationsemissionen under den faktiske anvendelse af maskinen kan være forskellig fra de(n) angivne værdi(er), afhængigt af den måde hvorpå maskinen anvendes, især den type arbejdsemne der behandles.

⚠ ADVARSEL: Sørg for at identificere de sikkerhedsforskrifter til beskyttelse af operatøren, som er baseret på en vurdering af eksponering under de faktiske brugsforhold (med hensyntagen til alle dele i brugscyklussen, f.eks. de gange, hvor maskinen er slukket, og når den kører i tomgang i tilgift til afbrydertiden).

⚠ ADVARSEL: Den erklærede værdi for vibrationsemission gælder for el-værktøjets primære anvendelser. Hvis el-værktøjet imidlertid anvendes til andre formål, kan værdien for vibrationsemission være anderledes.

EF-overensstemmelseserklæring

Kun for lande i Europa

EF-overensstemmelseserklæringen er inkluderet som Bilag A i denne brugsanvisning.

SIKKERHEDSADVARSLER

Almindelige sikkerhedsregler for el-værktøj

⚠ ADVARSEL: Læs alle de sikkerhedsadvarsler, instruktioner, illustrationer og specifikationer, der følger med denne maskine. Forsømmelse af at overholde alle nedenstående instruktioner kan medføre elektrisk stød, brand og/eller alvorlig personskade.

Gem alle advarsler og instruktioner til fremtidig reference.

Ordet "el-værktøj" i advarslerne henviser til det netforsyede (netledning) el-værktøj eller batteriforsyede (akku) el-værktøj.

Sikkerhedsadvarsler for sliber

Almindelige sikkerhedsadvarsler for anvendelser med slibning, sandslibning, trådbørstning eller afskæring:

1. Denne maskine er beregnet til at fungere som en sliber, slibemaskine med sandpapir, trådbørste, hulskærer eller afskæringsværktøj. Læs alle de sikkerhedsadvarsler, instruktioner, illustrationer og specifikationer, der følger med denne maskine. Manglende overholdelse af alle nedenstående instruktioner kan medføre elektrisk stød, brand og/eller alvorlig personskade.
2. Der må ikke udføres handlinger som polering med denne maskine. Handlinger, som maskinen ikke er designet til, kan medføre fare og forårsage personskade.
3. Omdan ikke denne maskine til at fungere på en måde, der ikke er specielt designet og angivet af maskinproducenten. Sådant en omdannelse kan muligvis resultere i tab af kontrol og forårsage alvorlig personskade.
4. Anvend ikke tilbehør, der ikke er specielt designet og angivet af maskinproducenten. Bare fordi tilbehøret kan monteres på din maskine, garanterer det ikke sikker drift.
5. Tilbehørets mærkehastighed skal mindst svare til den maksimale hastighed, der er angivet på maskinen. Tilbehør, der kører hurtigere end deres mærkehastighed, kan gå i stykker og slynges bort.

6. **Den udvendige diameter og tykkelsen på dit tilbehør skal ligge inden for maskinens kapacitetsklassificering.** Tilbehør med forært størrelse kan ikke beskyttes eller kontrolleres tilstrækkeligt.
7. **Målene for tilbehørsmonteringen skal passe til målene for monteringsdelen på maskinen.** Tilbehør, der ikke passer til maskinens monteringsdele, vil miste balancen, vibrere for meget og kan medføre tab af kontrol.
8. **Anvend ikke et beskadiget tilbehør. Før hver anvendelse undersøges tilbehøret, såsom slibeskiver for skår og revner, bagtallerken for revner, rift eller overdreven slitage, trådbørste for løse eller knækkede tråde.** Hvis maskinen eller tilbehøret tabes, skal du undersøge, om det er beskadiget, eller montere et ubeskadiget tilbehør. Efter inspektion og montering af tilbehør, skal du og omkringstående stå på god afstand af det roterende tilbehørs flade, og maskinen skal køres på højeste, ubelastede hastighed i et minut. Beskadiget tilbehør vil normalt gå i stykker i løbet af denne testperiode.
9. **Bær personligt beskyttelsesudstyr. Afhængigt af anvendelsen skal der anvendes en ansigts-skærm, beskyttelsesbriller eller sikkerhedsbriller.** Bær eventuelt støvmaske, hørevern, handsker og værkstedsforklæde, der kan stoppe små slibede eller fragmenter af arbejdsområdet. Øjenværnet skal kunne standse flyvende snavs, der opstår ved forskellige anvendelser. Støvmasken eller åndedrætsværnet skal kunne filtrere partikler, der opstår under den særlige anvendelse. Langvarig eksponering for støj med høj intensitet kan medføre høretab.
10. **Hold tilskuere i sikker afstand fra arbejdsområdet. Alle, der kommer ind i arbejdsområdet, skal anvende personligt beskyttelsesudstyr.** Fragmenter af arbejdsområdet eller af ødelagt tilbehør kan blive slynget væk og forårsage personskade uden for det umiddelbare arbejdsområde.
11. **Hold kun maskinen i de isolerede gribeblader, når der udføres et arbejde, hvor det skærende tilbehør kan komme i berøring med skjulte ledninger eller dens egen ledning.** Skæretilbehør, der kommer i kontakt med en "strømførende" ledning, kan gøre maskinens udsatte metaldele "strømførende" og kan give operatøren et elektrisk stød.
12. **Anbring altid ledningen, så den ikke kommer i kontakt med drejende tilbehør.** Hvis du mister kontrollen, kan ledningen blive skåret over eller hænge fast, og din hånd eller arm kan blive trukket ind i det roterende tilbehør.
13. **Læg aldrig maskinen ned, før tilbehøret er stoppet helt.** Det roterende tilbehør kan gribe fat i overfladen og trække maskinen ud af din kontrol.
14. **Lad ikke maskinen køre, mens du bærer den ved din side.** Utilsigtet kontakt med det roterende tilbehør kan få fat i dit tøj og trække tilbehøret ind mod kroppen.
15. **Rengør maskinværktøjets ventilationsåbninger med jævne mellemrum.** Motorens ventilator trækker støvet ind i huset, og overdreven ophobning af pulveriseret metal kan forårsage elektriske farer.
16. **Brug ikke maskinværktøjet i nærheden af brændbare materialer.** Gnister kan antænde disse materialer.

17. **Anvend ikke tilbehør, der kræver flydende kølemidler.** Anvendelse af vand eller andre flydende kølemidler kan medføre elektrisk aflivning eller stød.

Tilbageslag og relaterede advarsler:

Tilbageslag er en pludselig reaktion på en fastklemt eller blokeret roterende skive, bagtallerken, børste eller andet tilbehør. En fastklemt eller blokeret del forårsager hurtig standsning af det roterende tilbehør, som derved bliver årsag til, at det ukontrollerede maskinværktøj bliver tvunget i den modsatte retning af tilbehørets rotation ved punktet for bindingen.

Hvis for eksempel en slibeskive er blokeret eller fastklemt af arbejdsområdet, kan kanten på skiven, som går ind i fastklemningspunktet, grave sig ind i materialets overflade og derved bevirke, at skiven kommer ud eller presses ud. Skiven kan enten springe mod eller væk fra operatøren, afhængigt af retningen af skivens bevægelse på det sted, hvor den klemmes. Slibeskiver kan også brække under disse forhold.

Tilbageslag er et resultat af misbrug af og/eller forkert betjening af maskinen eller forkerte brugsforhold. Dette kan undgås ved, at der tages de rette forholdsregler som anvist herunder.

1. **Hold godt fast i maskinværktøjet med begge hænder, og placer din krop og arme, så du kan modstå tilbageslagskræfter.** Anvend altid hjælpehåndtag, hvis det er til rådighed, for maksimal kontrol over tilbageslag eller drejningsmomentreaktion under opstart. Operatøren kan styre drejningsmomentreaktioner eller tilbageslagskræfter, hvis der træffes passende forholdsregler.
2. **Anbring aldrig hånden i nærheden af det roterende tilbehør.** Tilbehøret kan give tilbageslag over hånden.
3. **Placer ikke din krop i det område, hvor maskinværktøjet bevæger sig, hvis der opstår tilbageslag.** Tilbageslag vil slynge maskinen i modsat retning af skivens bevægelse på det sted, hvor den sidder fast.
4. **Vær ekstra forsigtig, når du arbejder med hjørner, skarpe kanter osv.** Undgå, at tilbehøret hopper og bliver fastklemt. Hjørner, skarpe kanter eller op og ned-bevægelser har en tendens til at fastklemme det roterende tilbehør og forårsage tab af kontrol eller tilbageslag.
5. **Lad være med at montere en savkæde-træskæreklinge, en segmenteret diamantskive med et perifert mellemrum på mere end 10 mm eller en savklinge med tænder.** Sådanne klinger skaber hyppige tilbageslag og tab af kontrol.

Specifikke sikkerhedsadvarsler for anvendelser med slibning og afskæring:

1. **Anvend kun skivetyper, som er specificeret til dit maskinværktøj, og den specielle beskyttelsesskærm, som er beregnet til den valgte skive.** Skiver, som maskinværktøjet ikke er designet til, kan ikke beskyttes tilstrækkeligt og er usikre.
2. **Slibefloden på forsænkede centerskiver skal monteres under beskyttelsesskærmkantens flade.** En forkert monteret skive, der går gennem beskyttelsesskærmkantens plan, kan ikke beskyttes tilstrækkeligt.

3. **Beskyttelsesskærmen skal være ordentligt monteret på maskinværktøjet og placeret, så den optimale sikkerhed opnås, således at mindst muligt af skiven vender mod operatøren.** Beskyttelsesskærmen hjælper med at beskytte operatøren mod ødelagte skivefragmenter, utilsigtet kontakt med skiven og gnister, der kan antænde tøjet.
4. **Skiver må kun anvendes til de specificerede opgaver. For eksempel: Slib ikke med siden af afskæringsskiven.** Slibende afskæringsskiver er beregnet til perifer slibning, og sidekræfter, der påføres disse skiver, kan få dem til at gå i stykker.
5. **Anvend altid ubeskadigede skiveflanger, som har den rigtige størrelse og form til den valgte skive.** Korrekte skiveflanger understøtter skiven, hvilket reducerer risikoen for skivebrud. Flanger til afskæringsskiver kan være forskellige fra slibeskiveflanger.
6. **Anvend ikke nedslidte skiver fra større maskiner.** En skive, der er beregnet til større maskiner, er ikke egnet til en mindre maskines højere hastighed og kan sprænge.
7. **Når der anvendes skiver til dobbelt formål, skal der altid anvendes den korrekte beskyttelsesskærm til den anvendelse, som udføres.** Anvendes den korrekte beskyttelsesskærm ikke, vil der muligvis ikke være det ønskede niveau af beskyttelse, hvilket kan medføre alvorlig tilskadekomst.
6. **Vær ekstra forsigtig, når du laver et "Iomme-snit" i eksisterende vægge eller andre blinde områder.** Den fremspringende skive kan skære gas- eller vandrør, elektriske ledninger eller genstande, der kan forårsage tilbageslag.
7. **Forsøg ikke at udføre buet skæring.** Overbelastning af skiven øger belastningen og følsomheden for vridning eller binding af skiven i snittet og muligheden for tilbageslag eller skivebrud, hvilket kan medføre alvorlig tilskadekomst.
8. **Inden anvendelse af en segmenteret diamantskive skal De sørge for, at diamantskiven har et periferet mellemrum mellem segmenterne på 10 mm eller derunder, kun med en negativ rivevinkel.**

Specifikke sikkerhedsadvarsler for anvendelser med sandslibning:

1. **Brug sanddiskpapir i den korrekte størrelse.** Følg producentens anbefalinger, når du vælger sandpapir. Større sandpapir, der strækker sig for langt ud over slibepuden, udgør en risiko for flånger og kan forårsage fastklemning, rivning af disken eller tilbageslag.

Specifikke sikkerhedsadvarsler for anvendelser med træbørstning:

1. **Vær opmærksom på, at træbørstehårene afstødes fra børsten selv under almindelig anvendelse. Overbelast ikke træbørstehårene ved at påføre børsten for stor belastning.** Træbørstehårene kan let trænge igennem tyndt tøj og/eller hud.
2. **Hvis anvendelse af en beskyttelsesskærm ved træbørstning er angivet, må man ikke tillade interferens af trådskiven eller børsten med beskyttelseskærmen.** Trådskiven eller børsten kan udvides i diameter på grund af arbejdsbelastning og centrifugalkræfter.

Supplerende sikkerhedsadvarsler:

1. **Hvis der anvendes forsænkede centerskiver, skal man sørge for kun at anvende fiberglasforstærkede skiver.**
2. **ANVEND ALDRIG skiver af stenkop-typen med denne sliber.** Denne sliber er ikke beregnet til disse typer skiver, og anvendelse af et sådant produkt kan resultere i alvorlig tilskadekomst.
3. **Vær påpasselig med ikke at komme til at beskadige spindlen, flangen (specielt monteringsfladen) eller låsemøtrikken.** Beskadigelse af disse dele kan resultere i, at skiven brækker.
4. **Sørg for, at skiven ikke er i berøring med arbejdsemnet, inden De tænder for maskinen med afbryderen.**
5. **Inden De begynder at anvende maskinen på et rigtigt arbejdsemne, skal De lade den køre i et stykke tid.** Vær opmærksom på vibrationer eller slør, som kan være tegn på dårlig monteringsring eller en forkert afbalanceret skive.
6. **Anvend den specificerede overflade på skiven til at udføre slibningen.**
7. **Læg ikke maskinen fra Dem, mens den stadig kører. Anvend kun maskinen som håndværktøj.**

Yderligere sikkerhedsadvarsler, der er specifikke for anvendelser med afskæring:

1. **Vær påpasselig med ikke at "klemme" afskæringsskiven fast eller udsætte den for et ekstremt tryk. Forsøg ikke at lave en for stor skæredybde.** Overbelastning af skiven øger belastningen og følsomheden for vridning eller binding af skiven i snittet og muligheden for tilbageslag eller skivebrud.
2. **Stå ikke på linje med eller bag den roterende skive.** Når skiven, på anvendelsesstedet, bevæger sig væk fra kroppen, kan det mulige tilbageslag slynge den roterende skive og maskinen direkte mod dig.
3. **Hvis skiven sidder fast, eller hvis du af en eller anden grund afbryder et snit, skal du slukke for maskinen og holde den stille, indtil skiven er stoppet helt. Forsøg aldrig at fjerne afskæringsskiven fra skæringen, mens skiven er i bevægelse, da der ellers kan forekomme tilbageslag.** Undersøg og træf korrigerende foranstaltninger for at fjerne årsagen til skivebinding.
4. **Lad være med at starte skæringen i arbejdsemnet. Lad skiven nå fuld hastighed, og gå forsigtigt ind i skæringen igen.** Skiven kan binde, presses op eller slå tilbage, hvis maskinen genstartes i arbejdsemnet.
5. **Understøt paneler eller alle arbejdsemner i overstrøelse for at minimere risikoen for fastklemning af skiven og tilbageslag.** Store arbejdsemner har tendens til at synke under deres egen vægt. Understøtningerne skal placeres under arbejdsemnet nær skærelinjen og nær kanten af arbejdsemnet på begge sider af skiven.

8. Berør ikke arbejdsemnet lige efter at arbejdet er udført. Det kan blive meget varmt og være årsag til forbrændinger.
9. Undgå at berøre tilbehør umiddelbart efter arbejdets ophør. Det kan være meget varmt og kan forårsage forbrændinger af huden.
10. Overhold altid fabrikantens instruktioner for korrekt montering og anvendelse af skiver. Behandl og opbevar skiver med forsigtighed.
11. Anvend ikke separate reduktionsbøsninger eller adaptere til at tilpasse slibeskiver med store centerhuller til maskinen.
12. Anvend kun de specificerede flanger til denne maskine.
13. Ved anvendelse af maskiner, der er beregnet til montering af slibeskiver med gevindforsynet hul, skal det altid sikres, at gevindet i skiven er langt nok i forhold til spindellængden.
14. Kontrollér at emnet er korrekt understøttet.
15. Forsigtig! Skiven fortsætter med at rotere, efter at der slukket for maskinen.
16. Hvis arbejdsstedet er ekstremt varmt eller fugtigt, eller slømt tilnavset med ledende støv, bør der anvendes en kortslutningsafbryder (30 mA) for at garantere sikkerheden under arbejdet.
17. Anvend aldrig maskinen på materialer, der indeholder asbest.
18. Når du anvender afskæringsskiven, skal du altid arbejde med beskyttelsesskærmen til støvopsamling, hvis det kræves i henhold til national lovgivning.
19. Skæreskiver må ikke udsættes for tryk fra siden.
20. Anvend ikke stofarbejdshandsker under brugen. Fibre fra stofhandsker kan muligvis trænge ind i maskinen, hvilket forvolder skade på maskinen.
21. Inden betjening skal du sørge for, at der ikke er nogen skjulte genstande som fx elektriske rør, vandrør eller gasrør i arbejdsemnet. Ellers kan det muligvis forårsage et elektrisk stød, en elektrisk lækage eller gaslækage.
22. Hvis der er monteret et underlag til skiven, skal du ikke fjerne det. Diameteren af underlaget skal være større end låsemøtrikken, den udvendige flange og indvendige flange.
23. Inden du monterer en slibeskive skal du altid kontrollere, at underlagsdelen ikke har nogen uregelmæssigheder som fx hakker eller revner.
24. Spænd låsemøtrikken korrekt. Overspænding af skiven kan forårsage brud og utilstrækkelig spænding kan forårsage rystelser.

GEM DISSE FORSKRIFTER.

⚠ ADVARSEL: LAD IKKE bekvemmelighed eller kendskab til produktet (opnået gennem gentagen brug) forhindre, at sikkerhedsforskrifterne for produktet nøje overholdes. MISBRUG eller for sømmelse af at følge de i denne brugsvejledning givne sikkerhedsforskrifter kan medføre alvorlig personskade.

FUNKTIONSBESKRIVELSE

⚠ FORSIGTIG: Kontrollér altid, at maskinen er slået fra, og at netstikket er trukket ud, før der udføres justeringer, eller funktioner kontrolleres på maskinen.

Maskinebeskyttelsessystem

Maskinen er udstyret med et maskinebeskyttelsessystem. Dette system reducerer eller afbryder automatisk strømmen til motoren for at forlænge maskinens levetid. Maskinen vil automatisk reducere strømmen eller stoppe under brugen, hvis maskinen udsættes for et af følgende forhold:

Overbelastningsbeskyttelse

Når maskinen anvendes på en måde, der får den til at trække en unormalt høj strøm, reducerer maskinen automatisk strømmen uden nogen indikation. I denne situation skal årsagen til overbelastningen fjernes, så rotationshastigheden gendannes.

Beskyttelse mod overophedning

Landespecifik

Hvis maskinen er overophedet, stopper maskinen automatisk, og indikatorlampen blinker rødt. I denne situation skal du lade maskinen køle ned. Du kan tænde for maskinen igen, efter lampen skifter farven fra rød til grøn.

Indikatorlampe

► Fig.1: 1. Indikatorlampe

Indikatorlampen lyser grønt, når maskinen er tilsluttet. Hvis indikatorlampen blinker rødt, stoppes drift af beskyttelsen mod overophedning, teknologien til aktiv registrering af feedback eller funktionen til forhindring af utilsigtet genstart. I denne situation skal du slukke for maskinen. Tænd derefter maskinen for at starte igen. Hvis indikatorlampen lyser rødt efter slukning af maskinen, er maskinen overophedet. I denne situation skal du lade maskine køle ned og vente, indtil indikatorlampen lyser grønt.

Justeringsdrejeknap for hastighed

Kun for model GA4590 / GA4591 / GA5090 / GA5091

⚠ FORSIGTIG: Hvis maskinen anvendes kontinuerligt ved lave hastigheder i lang tid, bliver motoren overbelastet og ophedet.

⚠ FORSIGTIG: Justeringsdrejeknappen for hastighed kan kun drejes så langt som 5 og tilbage til 1. Undlad at tvinge den forbi 5 eller 1, da hastighedsjusteringsfunktionen muligvis ikke længere fungerer.

Rotationshastigheden kan ændres ved at dreje justeringsdrejknappen for hastighed til en given talindstilling fra 1 til 5. Højere hastighed opnås, når drejknappen drejes i retningen af nummer 5. Og lavere hastighed opnås, når den drejes i retningen af nummer 1. Se nedenstående tabel for forholdet mellem talindstillingerne på drejknappen og den omtrentlige rotationshastighed.

Tal	Nominal hastighed
1	2.800 min ⁻¹
2	4.500 min ⁻¹
3	6.500 min ⁻¹
4	8.000 min ⁻¹
5	11.500 min ⁻¹

► Fig.2: 1. Justeringsdrejknep for hastighed

Aksellås

⚠ ADVARSEL: Aktiver aldrig aksellåsen, når spindlen bevæger sig. Det kan forårsage alvorlig tilskadekomst eller maskinskade.

Tryk på aksellåsen for at forhindre, at spindlen roterer, når tilbehør monteres eller afmonteres.

► Fig.3: 1. Aksellås

Afbryderfunktion

⚠ FORSİGTİG: Inden maskinen tilsluttes skal du altid kontrollere, at glidekontakten fungerer korrekt og vender tilbage til "FRA"-positionen, når den bagerste ende af glidekontakten trykkes ned.

⚠ FORSİGTİG: Kontakten kan låses i "TIL"-positionen for at gøre brugen nemmere ved længere tids brug af maskinen. Vær forsigtig, når maskinen låses i "TIL"-positionen, og hold godt fast i maskinen.

For at starte maskinen, tryk ned på glidekontaktens bagerste ende og tryk den derefter mod "I (TIL)"-positionen.

For kontinuerlig brug skal man trykke ned på forreste ende af glidekontakten for at låse den.

► Fig.4: 1. Glidekontakt

For at stoppe maskinen skal du trykke ned på den bageste ende af glidekontakten, så den vender tilbage til "O (FRA)"-positionen.

► Fig.5: 1. Glidekontakt

Elektronisk funktion

Teknologi til aktiv registrering af feedback

⚠ FORSİGTİG: Hold godt fast i maskinen, indtil rotationen stopper.

Maskinen registrerer elektronisk situationer, hvor skiven eller tilbehøret kan risikere at binde. I så fald slukker maskinen automatisk for strømmen for at forhindre yderligere rotation af spindlen (dette forhindrer ikke tilbageslag).

På dette tidspunkt blinker indikatorlampen rødt og viser, at teknologien til aktiv registrering af feedback fungerer. For at genstarte maskinen skal man først slukke for maskinen, eliminere årsagen til det pludselige fald i rotationshastighed og derefter tænde for maskinen.

Funktion til forhindring af utilsigtet genstart

Når maskinen tilsluttes, mens kontakten er slået TIL, starter maskinen ikke.

På dette tidspunkt blinker indikatorlampen rødt og viser, at funktionen til forhindring af utilsigtet genstart fungerer.

For at starte maskinen skal du slukke for kontakten og tænde den igen.

Konstant hastighedskontrol

Det er muligt at opnå en flot finish, fordi rotationshastigheden holdes konstant selv under belastning.

Funktion for blød start

Funktionen for blød start reducerer startreaktionen.

Mekanisk bremse

Kun for model GA4591 / GA5091

Den mekaniske bremse aktiveres, når der slukkes for maskinen.

Bremsen fungerer ikke, når strømforsyningen afbrydes, mens kontakten stadig er til.

SAMLING

⚠ FORSİGTİG: Sørg altid for, at maskinen er slukket og taget ud af forbindelse, inden der udføres nogen form for arbejde på maskinen.

Montering af sidehåndtag

⚠ FORSİGTİG: Sørg altid for, at sidehåndtaget er ordentligt monteret inden brugen.

Skrue sidehåndtaget ordentligt på maskinen på det på illustrationen viste sted.

► Fig.6

Montering eller afmontering af beskyttelsesskærm

⚠ ADVARSEL: Ved brug af en forsænket centerskive, bladdisk, flex-skive eller trådskevborste skal beskyttelsesskærmen monteres på maskinen, så den lukkede side af skærmen altid vender mod operatøren.

⚠ ADVARSEL: Kontroller at beskyttelsesskærmen er låst ordentligt fast vha. låsearmen med et af hullerne i beskyttelsesskærmen.

⚠ ADVARSEL: Ved brug af en slibende afskæringsskive / diamantskive skal man sørge for kun at anvende den særlige beskyttelsesskærm, der er beregnet til brug med afskæringsskiver.

Til forsænket centerskive, bladdisk, flex-skive, trådskevborste / slibende afskæringsskive, diamantskive

1. Mens du trykker på låsearmen, skal du montere beskyttelsesskærmen, så fremspringene på beskyttelsesskærmen er ud for indhakkene på kuglelejeboksen.

► **Fig.7:** 1. Låsearm 2. Indhak 3. Fremspring

2. Mens du trykker låsearmen mod A, skal du holde ned på delene B på beskyttelsesskærmen som vist på figuren.

► **Fig.8:** 1. Beskyttelsesskærm 2. Hul

BEMÆRK: Tryk beskyttelsesskærmen lige ned. Ellers kan du ikke fastgøre beskyttelsesskærmen.

3. Mens du trykker på låsearmen mod A, skal du dreje beskyttelsesskærmen mod C og derefter ændre vinklen på beskyttelsesskærmen i overensstemmelse med arbejdet, så operatøren kan blive beskyttet. Ret låsearmen ind med et af hullerne i beskyttelsesskærmen og slip derefter låsearmen for at låse beskyttelsesskærmen.

► **Fig.9:** 1. Beskyttelsesskærm 2. Hul

Følg fremgangsmåden til montage i modsat rækkefølge for at afmontere beskyttelsesskærmen.

Clip-on-tilbehør til beskyttelsesskærm til skæring

Ekstraudstyr

BEMÆRK: Til afskærningsbetjening kan der anvendes et clip-on-tilbehør til beskyttelsesskærm til skæring sammen med beskyttelsesskærmen (til slibeskive).

Ikke til rådighed i visse lande.

► **Fig.10**

Montering eller afmontering af forsænket centerskive eller bladdisk

Ekstraudstyr

⚠ ADVARSEL: Når en forsænket centerskive eller bladdisk anvendes, skal beskyttelsesskærmen sættes på maskinen, så den lukkede side af skærmen altid er rettet mod operatøren.

⚠ ADVARSEL: Sørg for, at monteringsdelen af den indvendige flange passer perfekt ind i den indvendige diameter på den forsænkede centerskive / bladdisken. Monteres den indvendige flange på den forkerte side, kan det medføre farlig vibration.

Monter den indvendige flange på spindlen.

Sørg for, at anbringe den bulende del af den indvendige flange på den lige del nederst på spindlen.

Anbring den forsænkede centerskive / bladdisken på den indvendige flange og skru låsemøtrikken på spindlen.

► **Fig.11:** 1. Låsemøtrik 2. Forsænket centerskive 3. Indvendig flange 4. Monteringsdel

Låsemøtrikken strammes ved at man trykker fast på aksellåsen, så spindlen ikke kan dreje, og derefter anvender låsemøtriknøglen til at stramme godt til i retningen med uret.

► **Fig.12:** 1. Låsemøtriknøgle 2. Aksellås

Gå frem i modsat rækkefølge af monteringsproceduren, når skiven skal tages af.

Montering og afmontering af flex-skive

Ekstraudstyr

⚠ ADVARSEL: Brug altid den medfølgende beskyttelsesskærm, når flex-skiven er monteret på maskinen. Skiven kan brække under brugen, og beskyttelsesskærmen bidrager til at reducere risikoen for tilskadekomst.

► **Fig.13:** 1. Låsemøtrik 2. Flex-skive 3. Bagskive 4. Indvendig flange

Følg instruktionerne for den forsænkede centerskive, men brug også bagskiven over skiven.

Montering og afmontering af slibedisk

Ekstraudstyr

► **Fig.14:** 1. Sandslibelåsemøtrik 2. Slibedisk 3. Gummipude

1. Monter gummipuden på spindlen.

2. Monter disken på gummipuden og skru sandslibelåsemøtrikken på spindlen.

3. Hold spindlen med aksellåsen og spænd sandslibelåsemøtrikken ordentligt til i urets retning med låsemøtriknøglen.

Følg fremgangsmåden til montage i modsat rækkefølge for at afmontere disken.

BEMÆRK: Brug sandslibetilbehør, som er specificeret i denne brugsanvisning. Dette skal anskaffes separat.

Superflange

Ekstraudstyr

Kun for model GA4590 / GA4592 / GA5090 / GA5092

Superflange er et særligt tilbehør til en model, som IKKE er udstyret med en bremsefunktion.

Det er kun nødvendigt at bruge 1/3 af kraften for at løsne låsemøtrikken sammenlignet med den almindelige type.

Montering eller fjernelse af Ezynut

Ekstraudstyr

Kun for maskiner med M14-spindelgevind.

⚠️FORSIGTIG: Brug ikke Ezynut sammen med superflange. Disse flanger er så tykke, at hele gevindet ikke kan skrues ind i spindlen.

Monter den indvendige flange, slibeskiven og Ezynut på spindlen, så Makita-logoet på Ezynut vender udad.

► **Fig.15:** 1. Ezynut 2. Slibeskive 3. Indvendig flange 4. Spindel

Tryk fast på aksellåsen, og stram Ezynut ved at dreje slibeskiven i retningen med uret, så langt som den kan komme.

► **Fig.16:** 1. Aksellås

Hvis du vil løsne Ezynut, skal du dreje den udvendige ring på Ezynut i retningen mod uret.

BEMÆRK: Ezynut kan løsnes i hånden, så længe pilen peger mod hakket. Ellers skal der bruges en låsemøtriknøgle til at løsne den. Sæt en stift på nøglen i hullet, og drej Ezynut i retningen mod uret.

► **Fig.17:** 1. Pil 2. Hak

► **Fig.18**

Montering af slibende afskæringsskive / diamantskive

Ekstraudstyr

⚠️ADVARSEL: Ved brug af en slibende afskæringsskive / diamantskive skal man sørge for kun at anvende den særlige beskyttelsesskærm, der er beregnet til brug med afskæringsskiver.

⚠️ADVARSEL: Anvend ALDRIG en afskæringsskive til sideslibning.

► **Fig.19:** 1. Låsemøtrik 2. Slibende afskæringsskive / diamantskive 3. Indvendig flange 4. Beskyttelsesskærm til slibende afskæringsskive / diamantskive

Med hensyn til monteringen skal instruktionerne for forsænkede centerskiver følges.

Retningen for montage af låsemøtrikken og den indvendige flange afhænger af skivetyper og -tykkelsen. Se de følgende figurer.

Når den slibende afskæringsskive monteres:

► **Fig.20:** 1. Låsemøtrik 2. Slibende afskæringsskive (Tyndere end 4 mm) 3. Slibende afskæringsskive (4 mm eller tykkere) 4. Indvendig flange

Når diamantskiven monteres:

► **Fig.21:** 1. Låsemøtrik 2. Diamantskive (Tyndere end 4 mm) 3. Diamantskive (4 mm eller tykkere) 4. Indvendig flange

Montering af trådkopbørste

Ekstraudstyr

⚠️FORSIGTIG: Anvend ikke en børste, som er beskadiget, eller som ikke er i balance. Anvendelse af en beskadiget børste kan øge risikoen for tilskadekomst forårsaget af kontakt med knækkede børstetråde.

Placer maskinen på hovedet for at få nem adgang til spindlen.

Fjern alt ekstraudstyr på spindlen. Monter trådkopbørsten på spindlen og stram til med den medfølgende nøgle.

► **Fig.22:** 1. Trådkopbørste

Montering af trådslibebørste

Ekstraudstyr

⚠️FORSIGTIG: Anvend ikke en trådslibebørste, som er beskadiget, eller som ikke er i balance. Anvendelse af en beskadiget trådslibebørste kan øge risikoen for tilskadekomst forårsaget af kontakt med ødelagte træde.

⚠️FORSIGTIG: Anvend ALTID en beskyttelsesskærm med trådslibebørster, og sørg for, at skivens diameter passer inden i beskyttelsesskærmen. Skiven kan brække under brugen, og beskyttelsesskærmen bidrager til at reducere risikoen for tilskadekomst.

Placer maskinen på hovedet for at få nem adgang til spindlen.

Fjern alt ekstraudstyr på spindlen. Sæt trådslibebørsten på spindlen og stram med nøglerne.

► **Fig.23:** 1. Trådslibebørste

Montering af hulskeer

Ekstraudstyr

Placer maskinen på hovedet for at få nem adgang til spindlen.

Fjern alt tilbehør på spindlen. Skru hulskeereren på spindlen og stram den med den medfølgende skruenøgle.

► **Fig.24:** 1. Hulskeer

Montering af beskyttelsesskærm til støvopsamling til slibning

Ekstraudstyr

Med ekstraudstyr kan du bruge denne maskine til afhøvling af betonoverflader.

⚠FORSIGTIG: Beskyttelsesskærmen til støvopsamling til diamantkopskiven er kun beregnet til brug ved afhøvling af betonoverflader med en diamantkopskive. Brug ikke denne skærm sammen med noget andet skærende tilbehør eller til noget andet formål.

⚠FORSIGTIG: Kontroller før brugen, at der er sluttet en støvsuger til maskinen, og at den er tændt.

Placer maskinen på hovedet og monter beskyttelsesskærmen til støvopsamling.

Monter den indvendige flange på spindlen.

Monter diamantskiven af koptypen på den indvendige flange, og stram låsemøtrikken på spindlen.

- **Fig.25:** 1. Låsemøtrik 2. Diamantskive af koptypen 3. Navformet diamantskive af koptypen 4. Indvendig flange 5. Beskyttelsesskærm til støvopsamling 6. Kuglelejboks

BEMÆRK: Oplysninger om, hvordan beskyttelsesskærmen til støvopsamling monteres, finder du i manualen til beskyttelsesskærmen til støvopsamling.

Montering af beskyttelsesskærm til støvopsamling til afskæring

Ekstraudstyr

Med ekstraudstyr kan du bruge denne maskine til skæring af stenmaterialer.

- **Fig.26**

BEMÆRK: Oplysninger om, hvordan beskyttelsesskærmen til støvopsamling monteres, finder du i manualen til beskyttelsesskærmen til støvopsamling.

Tilslutning af en støvsuger

Ekstraudstyr

⚠ADVARSEL: Støvsug aldrig metalpartikler, der stammer fra slibning/skæring/sandslibning. Metalpartikler, der stammer fra sådanne operationer, er så varme, at de antænder støvet og filteret inde i støvsugeren.

For at undgå støvede omgivelser på grund af skæring i murværk skal du anvende en beskyttelsesskærm til støvopsamling og en støvsuger.

Se i brugsanvisningen, der følger med beskyttelsesskærmen til støvopsamling, vedrørende samling og brug af den.

- **Fig.27:** 1. Beskyttelsesskærm til støvopsamling 2. Støvsugerens slange

Installation eller fjernelse af støvdækslet

Ekstraudstyr

⚠FORSIGTIG: Sørg altid for, at maskinen er slukket og frakoblet, inden du monterer eller fjerner støvdækslet. Hvis du ikke gør dette, kan det medføre beskadigelse af maskinen eller personskade.

Monter støvdækslet til hver angivet position. Se i brugsanvisningen til støvdækslet angående detaljer.

BEMÆRKNING: Rengør støvdækslet, når det er tilstoppet med støv eller fremmedlegemer. Fortsat brug med et tilstoppet støvdæksel vil beskadige maskinen.

ANVENDELSE

⚠ADVARSEL: Det bør aldrig være nødvendigt at anvende magt på maskinen. Maskinens egen vægt sørger for det nødvendige tryk. Tvang og ekstremt tryk kan medføre farlige brud på skiven.

⚠ADVARSEL: Skift **ALTDIG** skiven ud, hvis maskinen tabes under slibning.

⚠ADVARSEL: Stød eller slå **ALDRIG** skiven mod arbejdsemnet.

⚠ADVARSEL: Undgå at støde og vride skiven, især ved arbejde på hjørner, skarpe kanter osv. Det kan medføre tab af kontrol og tilbageslag.

⚠ADVARSEL: Anvend **ALDRIG** maskinen med klinger, der er beregnet til skæring i træ, og andre savklinger. Hvis sådanne klinger anvendes på en sliber, bliver resultatet ofte tilbageslag og tab af kontrol, hvilket kan føre til tilskadekomst.

⚠ADVARSEL: Fortsat brug af en udslidt skive kan medføre, at skiven sprænger, og alvorlig personskade.

⚠FORSIGTIG: Tænd aldrig for maskinen, mens den er i kontakt med arbejdsemnet. Operatøren kan i så fald komme til skade.

⚠FORSIGTIG: Bær altid beskyttelsesbriller eller ansigtsskærm under brugen.

⚠FORSIGTIG: Efter brugen skal man altid slukke for maskinen og vente, indtil skiven er stoppet helt, inden man lægger maskinen fra sig.

⚠FORSIGTIG: Hold **ALTDIG** godt fast i maskinen med den ene hånd på maskinhuset og den anden på sidehåndtaget.

BEMÆRK: Der kan anvendes en skive til dobbelt formål til både slibning og afskæring.

Se "Anvendelse med skive/disk" angående slibning og se "Anvendelse med slibende afskæringsskive/diamantskive" angående afskæring.

Anvendelse med skive/disk

► Fig.28

Start maskinen og anbring derefter skiven eller disken på arbejdsområdet.
Generelt skal kanten på skiven eller disken holdes i en vinkel på ca. 15° mod arbejdsområdets overflade.
I det tidsrum, hvor en ny skive indkøres, må man ikke arbejde med sliberen i forlæns retning, da dette muligvis vil bevirke, at den skærer ind i arbejdsområdet. Når først et stykke tids anvendelse har rundet kanten af skiven af, kan den anvendes i både forlæns og baglæns retning.

Anvendelse med slibende afskæringsskive / diamantskive

Ekstraudstyr

⚠ ADVARSEL: Vær påpasselig med ikke at "klemme" skiven eller udsætte den for ekstremt tryk. Forsøg ikke at lave et snit af ekstrem dybde. Et for stort pres på skiven vil øge belastningen og risikoen for at skiven vrider eller binder i snittet samt risikoen for tilbageslag, brud på skiven og overophedning af motoren.

⚠ ADVARSEL: Begynd ikke skæringen i arbejdsområdet. Lad skiven komme op på fuld hastighed og gå omhyggeligt ind i snittet, idet maskinen bevæges fremad over arbejdsområdets overflade. Skiven kan binde, presses op eller give tilbageslag, hvis maskinen startes i arbejdsområdet.

⚠ ADVARSEL: Under skæring må man aldrig ændre skivens vinkel. Hvis man øver sidelæns tryk på afskæringsskiven (som ved slibning), vil det bevirke, at skiven revner eller brækker med alvorlig tilskadekomst til følge.

⚠ ADVARSEL: En diamantskive skal anvendes vinkelret på det materiale, der skæres i.

Eksempel på anvendelse: anvendelse med slibende afskæringsskive

► Fig.29

Eksempel på anvendelse: anvendelse med diamantskive

► Fig.30

Anvendelse med trådkopbørste

Ekstraudstyr

⚠ FORSIGTIG: Kontroller børstens funktion ved at køre maskinen uden belastning, og sørg for at der ikke befinder sig nogen personer foran eller i forlængelse af børsten.

Eksempel på anvendelse: anvendelse med trådkopbørste

► Fig.31

BEMÆRKNING: Undgå, når børsten anvendes, at udøve et for stort tryk, som medfører overbøjning af tråde. Det kan muligvis medføre for tidligt brud.

Anvendelse med trådslibebørste

Ekstraudstyr

⚠ FORSIGTIG: Kontroller trådslibebørstens funktion ved at køre maskinen uden belastning, og sørg for, at der ikke befinder sig nogen personer foran eller i forlængelse af børsten.

Eksempel på anvendelse: anvendelse med trådslibebørste

► Fig.32

BEMÆRKNING: Undgå, når trådslibebørsten anvendes, at udøve et for stort tryk, som medfører overbøjning af tråde. Det kan muligvis medføre for tidligt brud.

Anvendelse med hulskærer

Ekstraudstyr

⚠ FORSIGTIG: Kontroller anvendelsen af hulskæreren ved at køre maskinen uden belastning, og sørg for, at der ikke befinder sig personer foran hulskæreren.

BEMÆRKNING: Vip ikke maskinen under anvendelsen. Det kan muligvis medføre for tidligt brud.

Eksempel på anvendelse: anvendelse med hulskærer

► Fig.33

VEDLIGEHOLDELSE

⚠ FORSIGTIG: Kontrollér altid, at der er slukket for maskinen, og at netstikket er trukket ud, før der udføres eftersyn eller vedligeholdelse.

BEMÆRKNING: Anvend aldrig benzin, rensebenzin, fortynder, alkohol og lignende. Det kan medføre misfarvning, deformation eller revner.

For at opretholde produktets SIKKERHED og PÅLIDELIGHED må reparation, vedligeholdelse eller justering kun udføres af et autoriseret Makita servicecenter eller fabrikkens servicecenter med anvendelse af Makita reservedele.

Rengøring af ventilationsåbninger

Maskinen og dens ventilationsåbninger skal altid holdes rene. Rengør maskinens ventilationsåbninger med jævne mellemrum eller når ventilationsåbningerne begynder at blive tilstoppede.

► Fig.34: 1. Udstødningsåbning 2. Indsugningsåbning

KOMBINATION AF ANVENDELSER OG TILBEHØR

Ekstraudstyr

⚠ FORSIGTIG: Brug af maskinen med forkerte skærme kan forårsage risici som følger.

- Når der anvendes en skærm til afskæringsskive til overfladeslibning, kan beskyttelsesskærmen muligvis påvirke arbejdsområdet og forårsage dårlig kontrol.
- Når der anvendes en beskyttelsesskærm til slibning til afskæring med limede slibeskiver og diamantskiver, er der en forøget risiko for eksponering for roterende skiver, udsendte gnister og partikler, såvel som eksponering for skivefragmenter i tilfælde af skivebrud.
- Når der anvendes en skærm til afskæringsskive eller beskyttelsesskærm til slibning til overfladeopgaver med diamantskiver af koptypen, kan beskyttelsesskærmen muligvis påvirke arbejdsområdet og forårsage dårlig kontrol.
- Når der anvendes en skærm til afskæringsskive eller beskyttelsesskærm til slibning med en trådbørste af skivetyper med en tykkelse, som overstiger den maksimale tykkelse, der er angivet i "SPECIFIKATIONER", kan trådene muligvis sætte sig fast i skærmen og medføre afbrydning af tråde.
- Brug af beskyttelsesskærme til støvopsamling til afskærings- og overfladeopgaver i beton eller murværk reducerer risikoen for eksponering for støv.
- Når der anvendes flangemonterede skiver med dobbelt formål (kombineret slibning og slibeafskæring), skal der kun anvendes en skærm til afskæringsskive.

► Fig.35

Kun for model GA4590 / GA4592 / GA5090 / GA5092

-	Anvendelse	115 mm model	125 mm model
1	-	Sidehåndtag	
2	-	Beskyttelsesskærm (til slibeskive)	
3	-	Indvendig flange/superflange *1*2	
4	Slibning/sandslibning	Forsænket centerskive/bladdisk	
5	-	Låsemøtrik	
6	-	Ezynut *1*2	
7	-	Bagskive	
8	Slibning/sandslibning	Flex-skive	
9	-	Gummipude 100	Gummipude 115
10	Sandslibning	Slibedisk	
11	-	Sandslibelåsemøtrik	
12	Trådbørstning	Trådslibebørste	
13	Trådbørstning	Trådkopbørste	
14	Hulskæring	Hulskærer	
15	-	Beskyttelsesskærm (til afskæringsskive)	
16	Afskæring	Slibende afskæringsskive/diamantskive	
17	Slibning/afskæring	Skive til dobbelt formål	
18	-	Clip-on-tilbehør til beskyttelsesskærm til skæring *3	
19	-	Beskyttelsesskærm til støvopsamling til afskæring	
20	Afskæring	Diamantskive	
21	-	Beskyttelsesskærm til støvopsamling til slibning	
22	Slibning	Diamantskive af koptypen	
-	-	Låsemøtriknøgle	
-	-	Støvdækselanordning	

-	Anvendelse	115 mm model	125 mm model
1	-	Sidehåndtag	
2	-	Beskyttelsesskærm (til slibeskive)	
3	-	Indvendig flange	
4	Slibning/sandslibning	Forsænket centerskive/bladdisk	
5	-	Låsemøtrik	
6	-	Ezynut *1*2	
7	-	Bagskive	
8	Slibning/sandslibning	Flex-skive	
9	-	Gummipude 100	Gummipude 115
10	Sandslibning	Slibedisk	
11	-	Sandslibelåsemøtrik	
12	Trådbørstning	Trådskeibørste	
13	Trådbørstning	Trådkopbørste	
14	Hulskæring	Hulskærer	
15	-	Beskyttelsesskærm (til afskæringsskive)	
16	Afskæring	Slibende afskæringsskive/diamantskive	
17	Slibning/afskæring	Skive til dobbelt formål	
18	-	Clip-on-tilbehør til beskyttelsesskærm til skæring *3	
19	-	Beskyttelsesskærm til støvopsamling til afskæring	
20	Afskæring	Diamantskive	
21	-	Beskyttelsesskærm til støvopsamling til slibning	
22	Slibning	Diamantskive af koptypen	
-	-	Låsemøtriknøgle	
-	-	Støvdækselanordning	

BEMÆRK: *1 Brug ikke Superflangen og Ezynut sammen.

BEMÆRK: *2 Kun for maskiner med M14-spindelgevind.

BEMÆRK: *3 Clip-on-tilbehør til beskyttelsesskærm til skæring er ikke til rådighed i visse lande. Se i brugsanvisningen til clip-on-tilbehøret til beskyttelsesskærm til skæring for flere detaljer.

BEMÆRK: Brug ikke superflangen med en sliber udstyret med en bremsefunktion.

EKSTRAUDSTYR

⚠FORSIGTIG: Det følgende tilbehør og ekstraudstyr er anbefalet til brug med Deres Makita maskine, der er beskrevet i denne brugsanvisning. Anvendelse af andet tilbehør eller ekstraudstyr kan udgøre en risiko for personskade. Anvend kun tilbehør og ekstraudstyr til det beskrevne formål.

Hvis De behøver hjælp ved valg af tilbehør eller ønsker yderligere informationer, bedes De kontakte Deres lokale Makita servicecenter.

- Tilbehør angivet i "KOMBINATION AF ANVENDELSER OG TILBEHØR"

BEMÆRK: Nogle ting på denne liste kan være inkluderet i værktøjspakken som standardtilbehør. Det kan være forskellige fra land til land.






SPECIFIKĀCIJAS

Modelis:		GA4590	GA4591	GA4592	GA5090	GA5091	GA5092
Piemērotā slīpriņa	Maks. slīpriņas diametrs	115 mm			125 mm		
	Maks. ripas biezums	7,2 mm					
Piemērotā griešanas ripa	Maks. slīpriņas diametrs	115 mm			125 mm		
	Maks. ripas biezums	3,2 mm					
Piemērotā stieplu sukuņa ripa	Maks. slīpriņas diametrs	115 mm			125 mm		
	Maks. ripas biezums	20 mm					
Vārpstas vītne		M14 vai 5/8" (atkarībā no valsts)					
Maks. vārpstas garums		23 mm					
Ātrums bez slodzes (n ₀) / nominālais ātrums (n)		11 500 min ⁻¹					
Kopējais garums		326 mm	349 mm	326 mm	349 mm	326 mm	
Tīrsvars		2,6–3,8 kg	2,8–4,0 kg	2,6–3,8 kg	2,8–4,0 kg	2,6–3,8 kg	
Drošības klase		□/II					

- Nepārtrauktās izpētes un izstrādes programmas dēļ šeit uzrādītās specifikācijas var tikt mainītas bez brīdinājuma.
- Atkarībā no valsts specifikācijas var atšķirties.
- Svārs var atšķirties atkarībā no papildierīces(-ēm). Tabulā ir attēlota vieglākā un smagākā kombinācija atbilstoši EPTA procedūrai 01/2014.

Simboli

Tālāk ir attēloti simboli, kas var attiekties uz darbarīka lietošanu. Pirms darbarīka izmantošanas pārliecinieties, vai pareizi izprotat to nozīmi.

	Izlasiet lietošanas rokasgrāmatu.
	Izmantojiet aizsargbrilles.
	Vienmēr strādājiet, turot darbarīku ar abām rokām.
	Neizmantojiet ripas aizsargu nozāģēšanas darbībām.
	DIVKĀRŠĀ IZOLĀCIJA



Tikai ES valstīm

Tā kā šajā aprīkojumā ir bīstamas sastāvdaļas, lietotas elektriskās un elektroniskās iekārtas var negatīvi ietekmēt apkārtējo vidi un cilvēka veselību.

Elektroierīces un elektroniskās ierīces nedrīkst izmest kopā ar mājsaimeniecības atkritumiem!

Saskaņā ar Eiropas direktīvu par elektrisko un elektronisko iekārtu atkritumiem un tās pielāgošanu valsts tiesību aktiem lietotas elektriskās un elektroniskās iekārtas ir jāsavāc atsevišķi un jānogādā uz sadzīves atkritumu dalītās savākšanas vietu, ievērojot attiecīgos vides aizsardzības noteikumus.

Par to liecina uz iekārtas redzams simbols ar pārsvītrotu atkritumu konteineru uz rītniem.

Paredzētā lietošana

Šis darbarīks ir paredzēts metāla un akmens materiālu slīpēšanai, apstrādei ar stieplu suku, caurumu izgriešanai un griešanai bez ūdens izmantošanas.

Barošana

Darbarīks jāpievieno tikai tādām barošanas avotam, kura spriegums atbilst uz darbarīka tehnisko datu plāksnītes norādītajam, un darbarīku var izmantot tikai ar vienfāzes maiņstrāvas barošanu. Darbarīks aprīkots ar divkāršo izolāciju, tādēļ to var izmantot arī, pievienojot kontaktligzdai bez iezemējuma vada.

Trokšņa līmenis

Tipiskais A svērtais trokšņa līmenis noteikts saskaņā ar EN62841-2-3:

Modelis	Skaņas spiediena līmenis (L_{pA}): (dB(A))	Skaņas jaudas līmeni (L_{WA}): (dB(A))	Nenoteiktība (K): (dB(A))
GA4590	93	101	3
GA4591	90	98	3
GA4592	93	101	3
GA5090	93	101	3
GA5091	90	98	3
GA5092	93	101	3

PIEZĪME: Paziņotā trokšņa emisijas vērtība noteikta atbilstoši standarta pārbaudes metodei, un to var izmantot, lai salīdzinātu vienu darbarīku ar citu.

PIEZĪME: Paziņoto trokšņa emisijas vērtību arī var izmantot iedarbības sākotnējā novērtējumā.

▲BRĪDINĀJUMS: Lietojiet ausu aizsargus.

▲BRĪDINĀJUMS: Trokšņa emisija patiesos darba apstākļos var atšķirties no paziņotās vērtības atkarībā no darbarīka izmantošanas veida un jo īpaši atkarībā no apstrādājamā materiāla veida.

▲BRĪDINĀJUMS: Lai aizsargātu lietotāju, nosakiet drošības pasākumus, kas pamatoti ar iedarbību reālos darba apstākļos (ņemot vērā visus ekspluatācijas cikla posmus, piemēram, laiku, kamēr darbarīks ir izslēgts un kad darbojas tukšgaitā, kā arī palaišanas laiku).

▲BRĪDINĀJUMS: Plānu metāla plāksņu vai citu viegli vibrējošu materiālu ar lielu virsmu slīpēšana var radīt kopējo trokšņa emisiju, kas ir daudz lielāka (līdz 15 dB) nekā deklarētās trokšņa emisijas vērtības.

Lai novērstu trokšņa emisijas no šādiem apstrādājamajiem materiāliem, izmantojiet smagus, elastīgus slāpējošos pārklājus vai ko tamlīdzīgu.

Ņemiet vērā palielināto trokšņa emisiju, gan novērtējot risku saistībā ar trokšņa iedarbību, gan izvēloties atbilstošus dzirdes aizsarglīdzekļus.

Vibrācija

Vibrācijas kopējā vērtība (trīsasu vektora summa) noteikta atbilstoši EN62841-2-3:

Darba režīms: virsmas slīpēšana ar parastu sānu rokturi

Modelis	Vibrācija ($a_{h, AG}$): (m/s^2)	Nenoteiktība (K): (m/s^2)
GA4590	4,7	1,5
GA4591	5,4	1,5
GA4592	4,7	1,5
GA5090	7,9	1,5
GA5091	7,4	1,5
GA5092	7,9	1,5

Darba režīms: virsmas slīpēšana ar antivibrācijas sānu rokturi

Modelis	Vibrācija ($a_{h, AG}$): (m/s^2)	Nenoteiktība (K): (m/s^2)
GA4590	4,9	1,5
GA4591	5,2	1,5
GA4592	4,9	1,5
GA5090	8,8	1,5
GA5091	8,7	1,5
GA5092	8,8	1,5

Darba režīms: slīpēšana ar disku ar parastu sānu rokturi

Modelis	Vibrācijas emisija ($a_{h, DS}$) : (m/s ²)	Nenoteiktība (K): (m/s ²)
GA4590	3,6	1,5
GA4591	3,2	1,5
GA4592	3,6	1,5
GA5090	2,7	1,5
GA5091	2,7	1,5
GA5092	2,7	1,5

Darba režīms: slīpēšana ar disku ar antivibrācijas sānu rokturi

Modelis	Vibrācijas emisija ($a_{h, DS}$) : (m/s ²)	Nenoteiktība (K): (m/s ²)
GA4590	3,5	1,5
GA4591	2,9	1,5
GA4592	3,5	1,5
GA5090	2,8	1,5
GA5091	3,0	1,5
GA5092	2,8	1,5

PIEZĪME: Paziņotā kopējā vibrācijas vērtība noteikta atbilstoši standarta pārbaudes metodei, un to var izmantot, lai salīdzinātu vienu darbarīku ar citu.

PIEZĪME: Paziņoto kopējo vibrācijas vērtību arī var izmantot iedarbības sākotnējā novērtējumā.

▲BRĪDINĀJUMS: Vibrācijas emisija patiesos darba apstākļos var atšķirties no paziņotās vērtības atkarībā no darbarīka izmantošanas veida un jo īpaši atkarībā no apstrādājamā materiāla veida.

▲BRĪDINĀJUMS: Lai aizsargātu lietotāju, nosakiet drošības pasākumus, kas pamatoti ar iedarbību reālos darba apstākļos (ņemot vērā visus ekspluatācijas cikla posmus, piemēram, laiku, kamēr darbarīks ir izslēgts un kad darbojas tukšgaitā, kā arī palaides laiku).

▲BRĪDINĀJUMS: Paziņoto vibrācijas emisijas vērtību izmanto galvenajām mehanizētā darbarīka darbībām. Taču, ja darbarīku izmanto citām darbībām, vibrācijas emisijas vērtība var būt atšķirīga.

EK atbilstības deklarācija

Tikai Eiropas valstīm

EK atbilstības deklarācija šajā lietošanas rokasgrāmatā ir iekļauta kā A pielikums.

DROŠĪBAS BRĪDINĀJUMI

Vispārīgi elektrisko darbarīku drošības brīdinājumi

▲BRĪDINĀJUMS: Izlasiet visus drošības brīdinājumus, instrukcijas, apskatiet ilustrācijas un tehniskos datus, kas iekļauti mehanizētā darbarīka komplektācijā. Ja netiek ievēroti visi tālāk minētie noteikumi, var tikt izraisīta elektrotrauma, notikt aizdegšanās un/vai rasties smagas traumas.

Glabājiet visus brīdinājumus un norādījumus, lai varētu tajos ieskatīties turpmāk.

Termins „elektrisks darbarīks” brīdinājumos attiecas uz tādu elektrisko darbarīku, ko darbina ar elektrību (ar vadu), vai tādu, ko darbina ar akumulatoru (bez vada).

Drošības brīdinājumi slīpmašīnas lietošanai

Drošības brīdinājumi, kas vienādi attiecas uz slīpēšanas, smalkās slīpēšanas, stieplu suku tīrīšanas vai griešanas darbībām.

- Šo elektrisko darbarīku paredzēts izmantot slīpēšanai, smalkai slīpēšanai, tīrīšanai ar stieplu suku, caurumu izgriešanai vai griešanai. Izlasiet visus drošības brīdinājumus, norādes un tehniskos datus un izpētiet ilustrācijas, kas iekļautas šā elektriskā darbarīka komplektā. Neievērojot visus tālāk minētos noteikumus, iespējams elektriskās strāvas triecienu, aizdegšanās un/vai smagu traumu risks.
- Ar šo elektrisko darbarīku nedrīkst veikt tādas darbības kā pulēšana. Tādu darbību veikšana, kam šis elektriskais darbarīks nav paredzēts, var būt bīstama un radīt traumas.
- Nepārveidojiet šo darbarīku tādu darbību veikšanai, kurām ražotājs to nav konstruējis un konkrēti norādījis. Šāda pārveide var izraisīt kontroles zaudēšanu un radīt smagus ievainojumus.
- Drīkst lietot tikai darbarīka ražotāja īpaši izgatavotos un norādītos piederumus. Tas vien, ka piederumu var piestiprināt elektriskajam darbarīkam, neparantē drošu lietošanu.

3. **Aizsargam jābūt stingri piestiprinātām pie elektriskā darbarīka un novietotām maksimālai drošībai, lai operatora virzienā būtu atsegta pēc iespējas mazāka ripas daļa.** Aizsargs palīdz aizsargāt operatoru no salūzušas ripas daļām un nejaušas saskares ar slīpriņu un dzirkstelēm, kas var aizdedzināt apģērbu.
4. **Ripas jāizmanto tikai tām paredzētajiem darbiem. Piemēram: neslīpējiet ar griešanas ripas malu.** Abrazīvas griešanas ripas paredzētas perifērai slīpēšanai, tāpēc, ja uz šīm ripām iedarbojas sānu spēks, tās var salūzt.
5. **Vienmēr izmantojiet nebojātus atlokus, kas atbilst izvēlētajās ripas izmēram un formai.** Atbilstoši ripas atloki balsta ripu, tādējādi samazinot tās salūšanas iespēju. Nogriešanas ripu atloki var atšķirties no slīpēšanai paredzēto ripu atlokiem.
6. **Neizmantojiet nodilušas lielāku elektrisko darbarīku ripas.** Lielākiem elektriskajiem darbarīkiem paredzētās ripas nav piemērotas mazāka darbarīka lielākajam ātrumam, tās var sabrukt.
7. **Lietojot divu funkciju ripas, vienmēr izmantojiet veicamajai darbībai atbilstošo aizsargu.** Neizmantojot pareizo aizsargu, tas var nenodrošināt vajadzīgo aizsardzības līmeni, izraisot smagus ievainojumus.

Papildu drošības brīdinājumi tieši griešanas darbībām.

1. **Nelaujiet griešanas ripai iesprūst un nelietojiet pārmērīgu spēku.** Negrieziet pārāk dziļi. Ripas pārlogošana palielina slodzi, ripas sašķiebsanos vai iekēršanos griezumā un atsitiena vai slīpriņas salūšanas iespējamību.
2. **Nenostājieties vienā trajektorijas līnijā ar rotējošo ripu vai aiz tās.** Kad darba laikā ripas pārvietojas virzienā prom no jūsu ķermeņa, iespējams atsitieni var grūst rotējošo ripu un elektrisko darbarīku tieši jūsu virzienā.
3. **Ja ripa iesprūst vai kad kāda iemesla dēļ griešana tiek pārtraukta, izslēdziet elektrisko darbarīku un turiet to nekustīgi, līdz ripa apstājas pilnībā.** Nekādā gadījumā nemēģiniet izņemt griezējriņu no griezuma, kad ripa vēl griežas, lai netiktu izraisīts atsitieni. Pārbaudiet un veiciet attiecīgus pasākumus, lai novērstu ripas iesprūšanas cēloņus.
4. **Neatsāciet griešanu, darbarīkam atrodoties apstrādājamajā materiālā.** Ļaujiet slīpriņai sasniegt pilnu ātrumu un tad vēlreiz uzmanīgi ievietojiet to griezumā. Slīpriņa var iekērties, izvirzīties augšup vai atlēkt, ja elektriskais darbarīks tiek atkal iedarbināts, atrodoties apstrādājamajā materiālā.
5. **Atbalstiet paneļus un visus lielos apstrādājamajos materiālos, lai samazinātu slīpriņas iesprūšanas un atsitiena bīstamību.** Lielī apstrādājamie materiāli bieži vien ieliecas sava svāra dēļ. Balsti jānovieto zem apstrādājamā materiāla abās slīpriņas pusēs, griezuma līnijas tuvumā un tuvu apstrādājamā materiāla malai.
6. **Ievērojiet īpašu piesardzību, veicot „nišas griezumus” jau esošās sienās vai citās aizsegtās vietās.** Caururbjošā slīpriņa var pārgriezt gāzes vai ūdens caurules, elektrības vadus vai priekšmetus, kas var izraisīt atsitieni.

7. **Grieziet tikai taisnā līnijā.** Ripas pārlogošana palielina slodzi, ripas sašķiebsanos vai iekēršanos griezumā un atsitiena vai slīpriņas salūšanas iespējamību, kas var izraisīt smagus ievainojumus.
8. **Pirms segmentētas dimanta ripas izmantošanas pārbaudiet, vai dimanta ripas aploces rieta starp segmentiem ir 10 mm vai mazāka, tikai ar negatīvu slīpuma leņķi.**

Drošības brīdinājumi tieši smalkajai slīpēšanai

1. **Izmantojiet atbilstoša izmēra smilšpapīra disku.** Izvēlieties smilšpapīru smalkajai apstrādei, ievērojiet ražotāja ieteikumus. Par slīpēšanas pamatni ievērojami lielāks smilšpapīrs rada iegriezumu risku un var izraisīt smilšpapīra diska aizķeršanos, saplīšanu vai atsitieni.

Drošības brīdinājumi apstrādei ar stieplu suku

1. **Ņemiet vērā, ka stieplu sari tiek izviesti no sukas pat parastās darbības laikā.** Nepārlogojiet stieples, piemērojot sukai pārmērīgu spēku. Stieplu sari var viegli caurdurt plānu apģērbu un/vai ādu.
2. **Ja apstrādei ar stieplu suku norādīts izmantot aizsargu, nepieļaujiet stieplu ripas vai sukas saskari ar aizsargu.** Darba slodzes un centrēšanas spēku iedarbībā stieplu ripai vai sukai var palielināties diametrs.

Papildu drošības brīdinājumi:

1. **Lietojot slīpriņas ar ieliktu jeb iedziļinātu centru, noteikti izmantojiet tikai slīpriņas ar stikla šķiedras armatūru.**
2. **Šai slīpmašīnai NEKAD NEUZSTĀDIET kausveida akmens ripu.** Šī slīpmašīna nav paredzēta šāda veida ripām, un to izmantošana var radīt smagas traumas.
3. **Uzmanieties, lai nesabojātu vārpstu, atloku (it īpaši uzstādīšanas virsmu) un kontruzgriezni.** Šo detaļu bojājums var izraisīt ripas salūšanu.
4. **Pārliecinieties, ka slīpriņa nepieskaras apstrādājamajai virsmai pirms slēdža ieslēgšanas.**
5. **Pirms lietot darbarīku materiālā apstrādei, īslaicīgi darbiniet to bez slodzes.** Pievērsiet uzmanību tam, vai nav novērojama vibrācija vai svārstības, kas var norādīt uz nekalitatīvu uzstādīšanu vai nepareizi līdzsvarotu slīpriņu.
6. **Lai slīpētu, izmantojiet tam paredzēto slīpriņas virsmu.**
7. **Neatstājiet darbarīku ieslēgtu.** Darbiniet darbarīku vienīgi tad, ja turat to rokās.
8. **Neskarieties pie apstrādājamās detaļas tūlīt pēc darba izpildes; tā var būt ārkārtīgi karsta un apdedzināt ādu.**
9. **Nepieskarieties piederumiem tūlīt pēc darba izpildes; tie var būt ārkārtīgi karsti un apdedzināt ādu.**
10. **Ievērojiet ražotāja norādījumus slīpriņu pareizai montāžai un lietošanai.** Rīkojieties ar slīpriņām uzmanīgi un uzglabājiet tās rūpīgi.
11. **Neizmantojiet atsevišķus samazinātos ieliktnus vai pārejas, lai pielāgotu abrazīvās slīpriņas ar liela diametra atveri.**
12. **Izmantojiet tikai šim darbarīkam paredzētus atlokus.**

13. Darbarīkiem, kuri paredzēti lietošanai ar vītņotu slīpripi, pārliecinieties, ka slīpriņas vītens garums atbilst vārpstas garumam.
14. Pārbaudiet, vai apstrādājamā detaļa ir pienācīgi atbalstīta.
15. Nemiet vērā, ka slīpriņa turpina griezties arī pēc darbarīka izslēgšanas.
16. Ja darba vietā ir ārkārtīgi augsta temperatūra un liels mitrums, vai tā ir stipri piesārņota ar vadītspējīgiem putekļiem, izmantojiet īssavienojuma pārtraucēju (30 mA), lai garantētu operatora drošību.
17. Neizmantojiet darbarīku tādu materiālu apstrādei, kas satur azbestu.
18. Lietojot griezējriņas, vienmēr izmantojiet ripas aizsargu ar putekļu savācēju, ja to prasa vietējie normatīvie akti.
19. Griešanas ripas nedrīkst pakļaut jebkādam sānu spiedienam.
20. Strādājot nelietojiet auduma darba cimdus. Šķiedras no auduma cimdiem var iekļūt darbarīkā, izraisot darbarīka bojājumus.
21. Pirms darba uzsākšanas pārliecinieties, vai darbības zonā nav apraksts kāds objekts, piemēram, elektriskā caurule, ūdens caurule vai gāzes caurule. Tie var izraisīt elektrotriecienu, elektriskās strāvas vai gāzes noplūdi.
22. Ja ripai ir pievienota amortizējošā paplāksne, neņemiet to nost. Amortizējošās paplāksnes diametram jābūt lielākam par kontruzgriezni, ārējo atloku un iekšējo atloku.
23. Pirms slīpriņas uzstādīšanas vienmēr pārbaudiet, vai paplāksnes daļai nav defektu, piemēram, atskabargu vai plaisu.
24. Pareizi pievelciet kontruzgriezni. Pārmērīga ripas pievilksana var izraisīt tās salūšanu, un nepietiekama pievilksana var izraisīt vibrācijas.

SAGLABĀJIET ŠOS NORĀDĪJUMUS.

▲BRĪDINĀJUMS: NEPIELĀUJIET to, ka labu iemaņu vai izstrādājuma labas pārzināšanas (darbarīku atkārtoti ekspluatējot) rezultātā vairs stingri neievērojat šī izstrādājuma drošības noteikumus. NEPAREIZI LIETOJOT darbarīku vai neievērojot šajā instrukciju rokasgrāmatā minētos drošības noteikumus, var tikt gūtas smagas traumas.

FUNKCIJU APRAKSTS

▲UZMANĪBU: Pirms regulējat vai pārbaudāt darbarīka darbību, vienmēr pārliecinieties, ka darbarīks ir izslēgts un atvienots no barošanas.

Darbarīka aizsardzības sistēma

Darbarīks ir aprīkots ar darbarīka aizsardzības sistēmu. Šī sistēma automātiski samazina vai izslēdz motora barošanu, lai pagarinātu darbarīka darbību. Darbarīks lietošanas laikā automātiski samazina jaudu vai pārstāj darboties, ja to pakļauj kādam no tālāk minētajiem apstākļiem.

Aizsardzība pret pārslodzi

Ja darbarīku lieto tā, ka tas patērē pārmērīgi lielu strāvas daudzumu, darbarīks automātiski un bez iepriekšēja brīdinājuma samazina jaudu vai pārstāj darboties. Tādā gadījumā novērsiet pārslodzes cēloni, lai atjaunotu griešanās ātrumu.

Aizsardzība pret pārkaršanu

Atkarībā no valsts

Ja darbarīks ir pārkaris, tas automātiski izslēdzas un indikatora lampiņa sāk mirgot sarkanā krāsā. Tādā gadījumā ļaujiet darbarīkam atdzist. Darbarīku var atkal ieslēgt, kad lampiņas krāsa mainās no sarkanās uz zaļu.

Indikatora lampiņa

► **Att.1:** 1. Indikatora lampiņa

Indikatora lampiņa iedegas zaļā krāsā, kad darbarīks tiek pievienots barošanas avotam. Ja indikatora lampiņa mirgo sarkanā krāsā, aizsardzība pret pārkaršanu, aktīvās reakcijas tehnoloģija (Active Feedback sensing Technology) vai nejaušas atkārtotas iedarbināšanas novēršanas funkcija ir apturējusi darbarīka darbību. Tādā gadījumā izslēdziet darbarīku. Pēc tam ieslēdziet darbarīku, lai atsāktu darbu. Ja indikatora lampiņa iedegas sarkanā krāsā pēc darbarīka izslēgšanas, darbarīks ir pārkaris. Tādā gadījumā ļaujiet darbarīkam atdzist un nogaidiet, līdz indikatora lampiņa iedegas zaļā krāsā.

Ātruma regulēšanas ciparrīpa

Tikai modelim GA4590 / GA4591 / GA5090 / GA5091

▲UZMANĪBU: Ja instrumentu ilgstoši darbina ar nelielu ātrumu, motors tiek pārslodgots un sakarst.

▲UZMANĪBU: Ātruma regulēšanas ciparrīpu var griezt tikai diapazonā no 1 līdz 5. Lai nesabojātu ātruma regulēšanas funkcijas darbību, nemēģiniet ar spēku to pagriezt tālāk par 5 vai 1.

Griešanās ātrums ir maināms, regulēšanas ciparrīpu pagriežot kādā no stāvokļiem, kas ir apzīmēti ar cipariem no 1 līdz 5. Lai palielinātu ātrumu, ciparrīpa ir jāpagriež cipara 5 virzienā. Lai samazinātu ātrumu, tā ir jāpagriež cipara 1 virzienā. Saistību starp cipara iestatījumu uz ciparrīpas un aptuveno instrumenta griešanās ātrumu skatiet tālāk tabulā.

Cipars	Nominālais ātrums
1	2 800 min ⁻¹
2	4 500 min ⁻¹
3	6 500 min ⁻¹
4	8 000 min ⁻¹
5	11 500 min ⁻¹

► **Att.2:** 1. Ātruma regulēšanas ciparrīpa

Vārpstas bloķētājs

▲BRĪDINĀJUMS: Nekad neieslēdziet vārpstas bloķētāju, kad vārpsta griežas. Tas var izraisīt smagus ievainojumus vai sabojāt darbarīku.

Nospiediet vārpstas bloķētāju, lai novērstu vārpstas griešanos piederumu uzstādīšanas vai noņemšanas laikā.

► **Att.3:** 1. Vārpstas bloķētājs

Slēdža darbība

▲UZMANĪBU: Pirms darbarīka pievienošanas elektrotīklam vienmēr pārbaudiet, vai slēdžs darbojas pareizi un pārslēdzas atpakaļ pozīcijā „OFF” (Izslēgts), nospiežot slēdžslēdža aizmugurējo daļu.

▲UZMANĪBU: Lai atvieglotu operatora darbu, strādājot ilgstoši, slēdzi var fiksēt pozīcijā „ON” (Izslēgts). Esiet uzmanīgs, darbarīka slēdzi fiksējot pozīcijā „ON” (Izslēgts), un stingri turiet darbarīku.

Lai iedarbinātu darbarīku, nospiediet slēdžslēdža aizmugurējo daļu un pārbīdiet to pozīcijā „I” (Izslēgts).

Lai darbarīks darbotos nepārtraukti, nospiediet slēdžslēdža priekšējo daļu, lai to nofiksētu.

► **Att.4:** 1. Slēdžslēdzis

Lai apturētu darbarīku, nospiediet slēdžslēdža aizmugurējo daļu un pārbīdiet to pozīcijā „O” (Izslēgts).

► **Att.5:** 1. Slēdžslēdzis

Elektronika

Aktīvās reakcijas tehnoloģija (Active Feedback sensing Technology)

▲UZMANĪBU: Turiet darbarīku cieši, līdz tas pārstāj griezties.

Darbarīks automātiski nosaka situācijas, kurās rīpa vai piederums varētu iestrēgt. Šādās situācijās darbarīks automātiski atslēdz strāvas padevi, lai novērstu turpmāku vārpstas griešanos (tas nenovērsī atsitietu rašanos). Šajā brīdī indikatora lampiņa mirgo sarkanā krāsā, norādot, ka darbojas aktīvās reakcijas tehnoloģija (Active Feedback sensing Technology). Lai atkārtoti ieslēgtu darbarīku, vispirms to izslēdziet, novērsiet darbarīka ātruma pēkšņās samazināšanās iemeslu un tad atkal ieslēdziet darbarīku.

Nejaušas atkārtotas iedarbināšanas novēršanas funkcija

Ja darbarīka kontaktdakšu iesprauž tīkla kontaktlīdždā, kad slēdzis ir ieslēgts, darbarīks nesāk darboties. Šajā brīdī indikators mirgo sarkanā krāsā, norādot, ka darbojas nejaušas atkārtotas iedarbināšanas novēršanas funkcija. Lai iedarbinātu darbarīku, izslēdziet slēdzi un pēc tam to atkal ieslēdziet.

Nemainīga ātruma vadība

Ir iespējams panākt lielisku darba rezultātu, jo griešanās ātrums saglabājas vienmērīgs pat slodzes apstākļos.

Pakāpeniskas jeb laidenās ieslēgšanas funkcija

Pakāpeniskas ieslēgšanas funkcija mazina iedarbināšanas reakciju.

Mehāniskā bremze

Tikai modelim GA4591 / GA5091

Mehāniskā bremze tiek aktivizēta pēc darbarīka izslēgšanas. Bremze nedarbojas, ja slēdzis ir ieslēgts, bet strāvas padeve – izslēgta.

MONTĀŽA

▲UZMANĪBU: Vienmēr pārliecinieties, ka darbarīks ir izslēgts un atvienots no barošanas, pirms veicat jebkādas darbības ar darbarīku.

Sānu roktura uzstādīšana (rokturis)

▲UZMANĪBU: Pirms darbarīka izmantošanas vienmēr pārliecinieties, ka sānu rokturis ir uzstādīts droši.

Stingri pieskrūvējiet sānu rokturi pie darbarīka, kā parādīts attēlā.

► **Att.6**

Slīpripas aizsarga uzstādīšana un noņemšana

▲BRĪDINĀJUMS: Izmantojot slīpripas ar ieliektu centru, plāksņu diska, lokanās ripas vai stieplu sukas ripas, slīpripas aizsargs jāuzstāda uz darbarīka tā, lai aizsarga slēgtā daļa vienmēr būtu vērsta pret operatoru.

▲BRĪDINĀJUMS: Pārbaudiet, vai slīpripas aizsargs ir droši nostiprināts ar aiztura sviru, izmantojot vienu no slīpripas aizsarga atverēm.

▲BRĪDINĀJUMS: Izmantojot abrazīvo griezējripu vai dimanta ripu, lietojiet tikai īpašu griezējripiem paredzētu ripas aizsargu.

Slīpripai ar ieliektu centru, plāksņu ripai, lokanajai ripai, stieplu sukas ripai/abrazīvai griešanas ripai, dimanta ripai

1. Nospiediet bloķēšanas sviru un uzlieciet slīpripas aizsargu tā, lai uz slīpripas aizsarga malas esošie izciļņi sakristu ar gultņa korpusa ierobiem.

► **Att.7:** 1. Bloķēšanas svira 2. Ierobs 3. Izvirzījums

2. Spiežot bloķēšanas sviru A atzīmes virzienā, turiet slīpripas aizsarga daļas B, kā redzams attēlā.

► **Att.8:** 1. Ripas aizsargs 2. Atvere

PIEZĪME: Spiediet ripas aizsargu tieši uz leju. Pretējā gadījumā slīpripas aizsargu nav iespējams nostiprināt.

3. Turot nospiebtu bloķēšanas sviru atzīmes A virzienā, pagrieziet slīpripas aizsargu C atzīmes virzienā un tad mainiet slīpripas aizsarga leņķi atbilstoši veicamajam darbam tā, lai operators būtu aizsargāts. Savietojiet bloķēšanas sviru ar kādu no atverēm slīpripas aizsargā un tad atļaidiet bloķēšanas sviru, lai nofiksētu slīpripas aizsargu.

► **Att.9:** 1. Ripas aizsargs 2. Atvere

Lai noņemtu slīpripas aizsargu, izpildiet iepriekš minētās darbības pretējā secībā.

Piestiprināma griezējripas aizsarga papildierīce

Papildu piederumi

PIEZĪME: Griešanas operācijām piestiprināmu griezējripas aizsarga papildierīci var izmantot ar ripas aizsargu (slīpripai).

Dažās valstīs tas nav pieejams.

► **Att.10**

Slīpripas ar ieliektu centru vai plāksņu diska uzstādīšana un noņemšana

Papildu piederumi

▲BRĪDINĀJUMS: Izmantojot slīpripas ar ieliektu centru vai plāksņu diskus, slīpripas aizsargs jāuzstāda uz darbarīka tā, lai aizsarga slēgtā daļa vienmēr būtu vērsta operatora virzienā.

▲BRĪDINĀJUMS: Pārliedcinieties, ka iekšējā atloka stiprinājuma daļa precīzi iekļaujas slīpripas ar ieliektu centru vai plāksņu diska iekšējā diametrā. Ja iekšējo atloku uzstādīs nepareizajā pusē, var rasties bīstama vibrācija.

Iekšējo atloku uzstādi uz vārpstas.

Iekšējā atloka ieliektu daļu uzstādi uz taisnās daļas vārpstas apakšdaļā.

Slīpripu ar ieliektu centru vai plāksņu disku uzlieciet uz iekšējā atloka un pieskrūvējiet kontruzgriezni uz vārpstas.

► **Att.11:** 1. Kontruzgrieznis 2. Slīpripa ar ieliektu centru 3. Iekšējais atloks 4. Stiprinājuma daļa

Lai pievilktu kontruzgriezni, stingri nospiediet vārpstas bloķētāju, lai vārpsta negrieztos, tad ar kontruzgriežņa atslēgu stingri pievelciet to pulksteņrādītāju kustības virzienā.

► **Att.12:** 1. Kontruzgriežņa atslēga 2. Vārpstas bloķētājs

Lai slīpripu noņemtu, iepriekš norādītās darbības izpildiet pretējā secībā.

Lokanās ripas uzstādīšana un noņemšana

Papildu piederumi

▲BRĪDINĀJUMS: Ja darbarīkam izmantojat lokano ripu, vienmēr lietojiet komplektā iekļauto aizsargu. Lietošanas laikā ripa var sadurt, bet aizsargs palīdz mazināt traumu bīstamību.

► **Att.13:** 1. Kontruzgrieznis 2. Lokanā ripa 3. Balsta starplika 4. Iekšējais atloks

Ievērojiet norādījumus attiecībā uz slīpripu ar ieliektu centru; tomēr uz ripas uzlieciet arī balsta starpliku.

Abrazīvās ripas uzstādīšana un noņemšana

Papildu piederumi

► **Att.14:** 1. Smilšpapīra jeb smalkās slīpēšanas kontruzgrieznis 2. Abrazīvā ripa 3. Gumijas starplika

1. Uz vārpstas uzstādiet gumijas paliktni.

2. Uzstādiet ripu uz gumijas starplikas un uzskrūvējiet smilšpapīra slīpēšanas kontruzgriezni uz vārpstas.

3. Turiet vārpstu ar vārpstas bloķētāju un ar kontruzgriežņa atslēgu cieši pievelciet smilšpapīra slīpēšanas kontruzgriezni pulksteņrādītāju kustības virzienā.

Lai noņemtu ripu, izpildiet iepriekš norādītās darbības pretējā secībā.

PIEZĪME: Izmantojiet šajā rokasgrāmatā norādītos slīpmašīnas piederumus. Tie jāiegādājas atsevišķi.

Virsatloks

Papildu piederumi

Tikai modelim GA4590 / GA4592 / GA5090 / GA5092

Virsatloks ir speciāls piederums modelim, kas NAV aprīkots ar bremsēšanas funkciju.

Ja salīdzina ar parasto tipu, kontruzgriežņa noņemšanai jāpieliek tikai 1/3 spēka.

„Ezynut” uzstādīšana vai noņemšana

Papildu piederumi

Tikai darbarīkiem ar M14 vārpstas vītņi.

⚠UZMANĪBU: Nelietojiet „Ezynut” kopā ar virsatloku. Šie atloki ir tik bieži, ka vārpsta nevar uzņemt visu vītņi.

Uzstādi iekšējo atloku, abrazīvo ripu un „Ezynut” uzgriezni uz vārpstas tādā veidā, lai „Makita” logotips atrodas „Ezynut” uzgriežņa ārpusē.

► **Att.15:** 1. „Ezynut” 2. Abrazīvā ripa 3. Iekšējais atloks 4. Vārpsta

Cieši piespiediet vārpstas bloķētāju un pieskrūvējiet „Ezynut” uzgriezni, griežot abrazīvo ripu pulksteņrādītāja kustības virzienā, cik tālu iespējams.

► **Att.16:** 1. Vārpstas bloķētājs

Lai atskrūvētu „Ezynut” uzgriezni, griežiet „Ezynut” ārējo gredzenu pretēji pulksteņrādītāja kustības virzienam.

PIEZĪME: „Ezynut” var atskrūvēt ar roku, ja bulta atrodas pret ierobu. Pretējā gadījumā atskrūvēšanai nepieciešama kontruzgriežņa uzgriežņatslēga. Ievietojiet vienu uzgriežņatslēgas tapu atverē un griežiet „Ezynut” pretēji pulksteņrādītāja kustības virzienam.

► **Att.17:** 1. Bultiņa 2. Ierobs

► **Att.18**

Abrazīvās griezējriņas/dimanta ripas uzstādīšana

Papildu piederumi

⚠BRĪDINĀJUMS: Izmantojot abrazīvo griezējriņu vai dimanta ripu, lietojiet tikai īpašu griezējriņām paredzētu ripas aizsargu.

⚠BRĪDINĀJUMS: NEKAD NELIETOJIET griezējriņu sānu slīpēšanai.

► **Att.19:** 1. Kontruzgriežnis 2. Abrazīvā griezējriņa/dimanta ripa 3. Iekšējais atloks 4. Ripas aizsargs abrazīvai griezējriņai/dimanta ripai

Veicot uzstādīšanu, izpildiet norādījumus, kas paredzēti slīpriņai ar ieliektu centru.

Kontruzgriežņa un iekšējā atloka uzstādīšanas virziena maiņa atkarīga no ripas veida un biezuma.

Skatiet attiecīgos parametrus.

Uzstādot abrazīvo griezējriņu:

► **Att.20:** 1. Kontruzgriežnis 2. Abrazīvā griezējriņa (plānāka par 4 mm) 3. Abrazīvā griezējriņa (4 mm vai biežāka) 4. Iekšējais atloks

Uzstādot dimanta ripu:

► **Att.21:** 1. Kontruzgriežnis 2. Dimanta ripa (plānāka par 4 mm) 3. Dimanta ripa (4 mm vai biežāka) 4. Iekšējais atloks

Kausveida stieplu suku uzstādīšana

Papildu piederumi

⚠UZMANĪBU: Neizmantojiet bojātu un nelīdzsvarotu suku. Bojātas suku izmantošana var palielināt salauztu suku stieplu radītu traumu bīstamību.

Novietojiet darbarīku ar kājām gaisā, lai varētu viegli piekļūt vārpstai.

No vārpstas noņemiet piederumus. Kausveida stieplu suku uzskrūvējiet uz vārpstas un pievelciet ar komplekta uzgriežņatslēgu.

► **Att.22:** 1. Kausveida stieplu suka

Stieplu suku ripas uzstādīšana

Papildu piederumi

⚠UZMANĪBU: Neizmantojiet bojātu un nelīdzsvarotu stieplu ripas suku. Bojātas stieplu ripas suku izmantošana var palielināt salauztu stieplu radītu traumu bīstamību.

⚠UZMANĪBU: Lietojot stieplu ripas suku, VIENMĒR izmantojiet aizsargu, sekojot, lai viss ripas diametrs iekļaujas aizsargā. Lietošanas laikā ripa var sadrupt, bet aizsargs palīdz mazināt traumu bīstamību.

Novietojiet darbarīku ar kājām gaisā, lai varētu viegli piekļūt vārpstai.

No vārpstas noņemiet piederumus. Stieplu ripas suku uzskrūvējiet uz vārpstas un pievelciet ar uzgriežņu atslēgām.

► **Att.23:** 1. Stieplu ripas suka

Vainagurbja uzstādīšana

Papildu piederumi

Novietojiet darbarīku ar kājām gaisā, lai varētu viegli piekļūt vārpstai.

Noņemiet no vārpstas visus piederumus. Uzskrūvējiet vainagurbju uz vārpstas un pievelciet to ar komplektā piegādāto uzgriežņu atslēgu.

► **Att.24:** 1. Vainagurbis

Slīprīpas aizsarga ar putekļu savācēju uzstādīšana slīpēšanai

Papildu piederumi

Ar izvēles piederumiem, darbarīku var izmantot betona virsmas pulēšanai.

▲UZMANĪBU: Kausveida dimanta ripas slīp-ripas aizsargu ar putekļu savācēju paredzēts izmantot tikai betona virsmas pulēšanai ar kausveida dimanta ripu. Neizmantojiet šo aizsargu ar citu griešanas papildaprīkojumu vai citos nolūkos.

▲UZMANĪBU: Pirms sākat darbu, pārliecinieties, ka putekļu sūcējs ir pievienots darbarīkam un ieslēgts.

Novietojiet darbarīku ar kājām gaisā un uzstādiat ripas aizsargu ar putekļu savācēju.

Uzstādiat uz vārpstas iekšējo atloku.

Uzlieciet kausveida dimanta ripu uz iekšējā atloka un pievelciet kontruzgriezni uz vārpstas.

► **Att.25:** 1. Kontruzgrieznis 2. Kausveida dimanta ripa 3. Kausveida dimanta ripa ar atloku 4. Iekšējais atloks 5. Ripas aizsargs ar putekļu savācēju 6. Gultņa korpusi

PIEZĪME: Lai uzzinātu, kā uzstādīt ripas aizsargu ar putekļu savācēju, skatiet ripas aizsarga ar putekļu savācēju pamācību.

Ripas aizsarga ar putekļu savācēju uzstādīšana griešanai

Papildu piederumi

Ar izvēles piederumiem, darbarīku var izmantot akmens materiālu griešanai.

► **Att.16**

PIEZĪME: Lai uzzinātu, kā uzstādīt ripas aizsargu ar putekļu savācēju, skatiet ripas aizsarga ar putekļu savācēju pamācību.

Putekļsūcēja pievienošana

Papildu piederumi

▲BRĪDINĀJUMS: Nekādā gadījumā ar putekļu sūcēju neiesūciet metāla daļiņas, kas rodas slīpēšanas/griešanas/slīpēšanas laikā. Šādu darbību laikā radušās metāla daļiņas ir tik karstas, ka tās var aizdedzināt putekļus un filtru putekļu sūcēja iekšpusē.

Lai novērstu darba vietā putekļus, kas radušies mūra griešanas rezultātā, izmantojiet slīpripas aizsargu ar putekļu savācēju un putekļu sūcēju.

Informāciju par to, kā uzlikt un izmantot slīpripas aizsargu ar putekļu savācēju, skatiet lietošanas instrukcijā, kas pievienota šai ierīcei.

► **Att.27:** 1. Slīpripas aizsargs ar putekļu savācēju 2. Putekļu sūcēja šļūtene

Putekļu aizsarga uzstādīšana vai noņemšana

Papildu piederumi

▲UZMANĪBU: Pirms putekļu aizsarga uzstādīšanas un noņemšanas vienmēr pārbaudiet, vai darbarīks ir izslēgts un atvienots no strāvas avota. Neievērojot šo nosacījumu, varat bojāt darbarīku vai gūt ievainojumus.

Uzstādiat putekļu aizsarga papildierīci katrā norādītajā pozīcijā. Plašāku informāciju skatiet putekļu aizsarga papildierīces lietošanas rokasgrāmatā.

IEVĒRĪBAI: Iztīriet putekļu aizsargus, ja tie ir aizsērējuši ar netīrumiem vai svešķermeņiem. Turpinot darbu ar aizsērējušiem putekļu aizsargiem, sabojāsit darbarīku.

EKSPLUATĀCIJA

▲BRĪDINĀJUMS: Strādājot ar darbarīku, nekad nepielieciet pārmērīgu spēku. Darbarīka svars rada pietiekamu spiedienu. Pārmērīgs spēks vai spiediens uz darbarīka var izraisīt ripas salūšanu, kas ir ļoti bīstami.

▲BRĪDINĀJUMS: VIENMĒR nomainiet ripu, ja slīpēšanas laikā darbarīks nokrīt.

▲BRĪDINĀJUMS: NEKAD netriciet un nesitiet ripu pret apstrādājamo materiālu.

▲BRĪDINĀJUMS: Izvairieties no ripas lēkāšanas un iekēršanās, it īpaši stūru, asu malu utt. apstrādē. Tas var izraisīt vadītības zaudēšanu un atsitienu.

▲BRĪDINĀJUMS: NEKĀDĀ GADĪJUMĀ neizmantojiet darbarīku ar koku zāgēšanas asmeņiem un citiem zāģu asmeņiem. Šādus asmeņus izmantojot slīpmašīnā, var rasties atsitiens, kura ietekmē var zaudēt vadību pār darbarīku un gūt traumas.

▲BRĪDINĀJUMS: Nolietojūs slīpripas izmantošana var izraisīt ripas salūšanu un smagu traumu cilvēkam.

▲UZMANĪBU: Nekādā gadījumā neieslēdziet darbarīku, ja tas ir saskarē ar apstrādājamo materiālu, jo operators var gūt traumas.

▲UZMANĪBU: Darba laikā vienmēr lietojiet aizsargbrilles vai sejas aizsargu.

▲UZMANĪBU: Pēc darba vienmēr izslēdziet darbarīku un uzgaidiet, līdz ripa pilnīgi apstājas, pirms noliekat darbarīku.

▲UZMANĪBU: VIENMĒR stingri turiet darbarīku ar vienu roku uz korpusa un ar otru uz sānu ruktura.

PIEZĪME: Divu funkciju ripu var izmantot gan slīpēšanai, gan griešanai.

Attiecībā uz slīpēšanu skatiet sadaļu „Slīpripas/diska lietošana” un attiecībā uz griešanu skatiet sadaļu „Abrazīvās griezējripas un dimanta ripas lietošana”.

Lietojot slīpripu/disku

► Att.28

Ieslēdziet darbarīku un tad nolaidiet slīpripu vai disku uz materiāla. Slīpripas vai diska malu turiet apmēram 15 grādu leņķī pret apstrādājamo virsmu. Jaunās slīpripas iestrādāšanas laikā nelietojiet darbarīku turpgaitas virzienā, citādi tas var iegriezties apstrādājamā materiālā. Kad slīpripas mala lietošanas gaitā ir noapaļojusies, slīpripu var izmantot darbam gan turpgaitas, gan atpakaļgaitas virzienā.

Abrazīvās griezējripas un dimanta ripas lietošana

Papildu piederumi

▲BRĪDINĀJUMS: Neļaujiet slīpripai iesprūst; neizmantojiet pārmērīgu spiedienu. Negrieziet pārāk dziļi. Ripas pārslogošana palielina slodzi un iespēju ripai sašķiebties vai aizķerties griezumā, kā arī atsitienu, ripas salūšanas un motora pārkarsēšanas iespējamību.

▲BRĪDINĀJUMS: Nesāciet griešanu, darbarīkam atrodoties apstrādājamajā virsmā. Ļaujiet ripai sasniegt pilnu ātrumu un uzmanīgi ievietojiet to griezumā, virzot darbarīku uz priekšu pāri apstrādājamā materiāla virsmai. Ripa var aizķerties, iznākt no griezuma vai radīt atsitienu, ja mehānizētais darbarīks tiek iedarbināts, ripai atrodoties apstrādājamā materiālā.

▲BRĪDINĀJUMS: Griešanas laikā nekad nemainiet slīpripas leņķi. Pieliekot griezējripai sāniski vērstu spēku (piemēram, slīpējot), ripa var saplaisāt un salūzt, radot smagas traumas.

▲BRĪDINĀJUMS: Dimanta ripa jālieto perpendikulāri griežamajam materiālam.

Darbības piemērs: darbs ar abrazīvo griešanas ripu
► Att.29

Darbības piemērs: darbs ar dimanta ripu
► Att.30

Lietošana kopā ar kausveida stieplu suku

Papildu piederumi

▲UZMANĪBU: Pārbaudiet suku darbību, darbinot darbarīku bez slodzes, un nodrošinot, lai nevienš neatrastos suku priekšā vai tās rotācijas plaknē.

Darbības piemērs: darbs ar kausveida stieplu suku
► Att.31

IEVĒRĪBAI: Izvairieties no pārmērīga spēka pielikšanas, kas var salocīt stieples, lietojot suku. Tas var izraisīt priekšlaicīgu salūšanu.

Lietošana kopā ar stieplu ripas suku

Papildu piederumi

▲UZMANĪBU: Pārbaudiet stieplu ripas suku darbību, darbinot darbarīku bez slodzes un nodrošinot, lai nevienš neatrastos stieplu ripas suku priekšā vai tās rotācijas plaknē.

Darbības piemērs: darbs ar stieplu suku ripu
► Att.32

IEVĒRĪBAI: Izvairieties no pārmērīga spiediena, kas var salocīt stieples, lietojot stieplu ripas suku. Tas var izraisīt priekšlaicīgu salūšanu.

Darbs ar vainagurbi

Papildu piederumi

▲UZMANĪBU: Pārbaudiet vainagurbja darbību, darbinot darbarīku bez slodzes un nodrošinot, ka neviena persona neatrodas vainagurbja priekšā.

IEVĒRĪBAI: Darbības laikā neceliet darbarīku uz augšu. Tas var izraisīt priekšlaicīgu salūšanu.

Lietošanas piemērs: darbs ar vainagurbi
► Att.33

APKOPE

▲UZMANĪBU: Pirms veikt pārbaudi vai apkopi, vienmēr pārliecinieties, ka darbarīks ir izslēgts un atvienots no barošanas.

IEVĒRĪBAI: Nekad neizmantojiet gazoļīnu, benzīnu, atšķaidītāju, spirtu vai līdzīgus šķidrumus. Tas var radīt izbalēšanu, deformāciju vai plaisas.

Lai saglabātu izstrādājuma DROŠU un UZTICAMU darbību, remontdarbus, apkopi un regulēšanu uzticiet veikt tikai Makita pilnvarotam vai rūpnīcas apkopes centram, un vienmēr izmantojiet tikai Makita rezerves daļas.

Gaisa ventilācijas atveru tīrīšana

Gaisa ventilācijas atverēm jābūt tīrām. Regulāri tīriet darbarīka ventilācijas atveres, kā arī iekreiz, kad atveres nosprostojas.

► Att.34: 1. Izlplūdes atvere 2. Ieplūdes atvere

LIETOJUMU UN PIEDERUMU KOMBINĀCIJA

Papildpiederums

⚠ UZMANĪBU: Darbarīka lietošana ar nepareizu aizsargu var izraisīt tālāk uzskaitītos riskus.

- Izmantojot griezējripas aizsargu virsmas slīpēšanai, ripas aizsargs var saskarties ar apstrādājamo materiālu, apgrūtinot darbarīka vadību.
- Lietojot slīpripas aizsargu griešanas darbībām ar līmētām abrazīvām ripām un dimanta ripām, ir palielināts risks saskarties ar rotējošām ripām, izmestām dzirkstelēm un daļiņām, kā arī risks gūt ievainojumus no ripas fragmentiem ripas sairšanas gadījumā.
- Izmantojot griezējripas aizsargu vai slīpripas aizsargu virsmas apstrādei ar kausveida dimanta ripām, ripas aizsargs var saskarties ar apstrādājamo materiālu, apgrūtinot darbarīka vadību.
- Izmantojot griezējripas aizsargu vai slīpripas aizsargu ar ripas veida stieplu suku, kuras biezums ir lielāks nekā sadaļā TEHNISKIE DATI norādītais maksimālais biezums, stieples var aizķerties aiz aizsarga, izraisot stieplu nolūšanu.
- Ripas aizsargu ar putekļu savācēju izmantošana betona vai ķieģeļu materiālu griešanai vai virsmas apstrādei samazina saskares risku ar putekļiem.
- Lietojot divu funkciju (kombinētā slīpēšana un abrazīvā griešana) ar atloku stiprināmas ripas, izmantojiet tikai griezējripas aizsargu.

► Att.35

Tikai modelim GA4590 / GA4592 / GA5090 / GA5092

-	Lietojums	115 mm modelis	125 mm modelis
1	-	Sānu rokturis	
2	-	Slīpripas aizsargs (slīpripai)	
3	-	Iekšējais atloks / virsatloks *1*2	
4	Slīpēšana / smalkā slīpēšana	Slīpripa ar ieliektu centru / plāksņu ripa	
5	-	Kontruzgrieznis	
6	-	„Ezynut” *1*2	
7	-	Balsta starplika	
8	Slīpēšana / smalkā slīpēšana	Lokanā ripa	
9	-	Gumijas starplika 100	Gumijas starplika 115
10	Smalkā slīpēšana	Abrazīvā ripa	
11	-	Smilšpapīra jeb smalkās slīpēšanas kontruzgrieznis	
12	Tīrīšana ar stieplu suku	Stieplu sukas ripa	
13	Tīrīšana ar stieplu suku	Kausveida stieplu suka	
14	Caurumu izgriešana	Vainagurbis	
15	-	Ripas aizsargs (griezējripai)	
16	Griešana	Abrazīvā griezējripa / dimanta ripa	
17	Slīpēšana / griešana	Divu funkciju ripa	
18	-	Piestiprināma griezējripas aizsarga papildierce *3	
19	-	Ripas aizsargs ar putekļu savācēju griešanai	
20	Griešana	Dimanta ripa	
21	-	Slīpripas aizsargs ar putekļu savācēju	
22	Slīpēšana	Kausveida dimanta ripa	
-	-	Kontruzgriežņa atslēga	
-	-	Putekļu pārsega stiprinājums	

-	Lietojums	115 mm modelis	125 mm modelis
1	-	Sānu rokturis	
2	-	Slīpripas aizsargs (slīpripai)	
3	-	Iekšējais atloks	
4	Slīpēšana / smalkā slīpēšana	Slīpripa ar ieliektu centru / plāksņu ripa	
5	-	Kontruzgrieznis	
6	-	„Ezynut” *1*2	
7	-	Balsta starplika	
8	Slīpēšana / smalkā slīpēšana	Lokanā ripa	
9	-	Gumijas starplika 100	Gumijas starplika 115
10	Smalkā slīpēšana	Abrazīvā ripa	
11	-	Smilšpapīra jeb smalkās slīpēšanas kontruzgrieznis	
12	Tīrīšana ar stieplu suku	Stieplu suku ripa	
13	Tīrīšana ar stieplu suku	Kausveida stieplu suka	
14	Caurumu izgriešana	Vainagurbis	
15	-	Ripas aizsargs (griezējripai)	
16	Griešana	Abrazīvā griezējripa / dimanta ripa	
17	Slīpēšana / griešana	Divu funkciju ripa	
18	-	Piestiprināma griezējripas aizsarga papildierīce *3	
19	-	Ripas aizsargs ar putekļu savācēju griešanai	
20	Griešana	Dimanta ripa	
21	-	Slīpripas aizsargs ar putekļu savācēju	
22	Slīpēšana	Kausveida dimanta ripa	
-	-	Kontruzgriežņa atslēga	
-	-	Putekļu pārsega stiprinājums	

PIEZĪME: *1 Neizmantojiet virsatloku kopā ar „Ezynut” uzgriezni.

PIEZĪME: *2 Tikai darbarīkiem ar M14 vārpstas vītņi.

PIEZĪME: *3 Piestiprināma griezējripas aizsarga papildierīce dažās valstīs nav pieejama. Plašāku informāciju skatiet piestiprināmās griezējripas aizsarga papildierīces lietošanas rokasgrāmatā.

PIEZĪME: Neizmantojiet virsatloku ar slīpmašīnu, kas aprīkota ar bremzes funkciju.

PAPILDU PIEDERUMI

⚠ UZMANĪBU: Šādi piederumi un papildierīces tiek ieteiktas lietošanai ar šajā rokasgrāmatā aprakstīto Makita darbarīku. Izmantojot citus piederumus vai papildierīces, var tikt radīta traumu gūšanas bīstamība. Piederumu vai papildierīci izmantojiet tikai paredzētajam mērķim.

Ja jums vajadzīga palīdzība vai precīzāka informācija par šiem piederumiem, vērsieties savā tuvākajā Makita apkopes centrā.

- Sadajā „LIETOJUMU UN PIEDERUMU KOMBINĀCIJA” uzskaitītie piederumi

PIEZĪME: Daži sarakstā norādītie izstrādājumi var būt iekļauti instrumenta komplektācijā kā standarta piederumi. Tie dažādās valstīs var būt atšķirīgi.

SPECIFIKACIJOS

Modelis:		GA4590	GA4591	GA4592	GA5090	GA5091	GA5092
Tinkamas šlifavimo diskas	Didž. disko skersmuo	115 mm			125 mm		
	Didž. disko storis	7,2 mm					
Tinkamas nupjovimo diskas	Didž. disko skersmuo	115 mm			125 mm		
	Didž. disko storis	3,2 mm					
Tinkamas vielinis disko formos šepetėlis	Didž. disko skersmuo	115 mm			125 mm		
	Didž. disko storis	20 mm					
Veleno sriegis		M14 arba 5/8" (priklauso nuo valstybės)					
Didž. veleno ilgis		23 mm					
Sūkiai be apkrovos (n ₀) / vardinis greitis (n)		11 500 min ⁻¹					
Bendrasis ilgis		326 mm	349 mm	326 mm	349 mm	326 mm	
Grynasis svoris		2,6–3,8 kg	2,8–4,0 kg	2,6–3,8 kg	2,8–4,0 kg	2,6–3,8 kg	
Saugos klasė		□/II					

- Atliekame tęsinius tyrimus ir nuolat tobuliname savo gaminius, todėl čia pateikiamos specifikacijos gali būti keičiamos be įspėjimo.
- Skirtingose šalyse specifikacijos gali skirtis.
- Svoris gali priklausyti nuo priedo (-ų). Lengviausias ir sunkiausias deriniai pagal EPTA 2014 m. sausio mėn. procedūrą yra nurodyti lentelėje.

Simboliai

Toliau yra nurodyti simboliai, kurie gali būti naudojami įrangai. Prieš naudodami įsitikinkite, kad suprantate jų reikšmę.



Perskaitykite instrukcijų vadovą.



Užsidėkite apsauginius akinius.



Visada dirbkite laikydami dviem rankomis.



Vykdydami nupjovimo operacijas, nenaudokite disko apsaugo.



DVIGUBA IZOLIACIJA



Taikoma tik ES šalims

Kadangi įrangoje yra pavojingų komponentų, panaudota elektrinė ir elektroninė įranga gali turėti neigiamą poveikio aplinkai ir žmonių sveikatai.

Nešalinkite elektros ir elektroninių prietaisų kartu su būtinėmis atliekomis!

Pagal Europos direktyvą dėl elektros ir elektroninės įrangos atliekų ir jos pritaikymą nacionaliniams įstatymams, panaudota elektros ir elektroninė įranga turi būti surenkama atskirai ir pristatoma į atskirą buitinių atliekų surinkimo punktą, kuris veikia pagal aplinkos apsaugos taisykles.

Tai rodo perbrauktas konteinerio ant ratukų simbolis, pateiktas ant įrangos.

Numatytoji naudojimo paskirtis

Įrankis yra skirtas šlifuoti, šlifuoti šlifavimo popieriumi, šveisti vieliniu šepėčiu, kiaušymėms pjauti, metalui ir akmeniui pjauti nenaudojant vandens.

Elektros energijos tiekimas

Įrenginiui turi būti tiekiamas tokios įtampos elektros energija, kaip nurodyta duomenų lentelėje; įrenginys veikia tik su vienfazė kintamąja srove. Jie yra dvigubai izoliuoti, todėl gali būti naudojami prijungus prie elektros lizdo be įžeminimo laido.

Triukšmas

Įprastas triukšmo A lygis, nustatytas pagal EN62841-2-3:

Modelis	Garso slėgio lygis (L_{pA}): (dB (A))	Garso galios lygis (L_{WA}): (dB (A))	Paklaida (K): (dB (A))
GA4590	93	101	3
GA4591	90	98	3
GA4592	93	101	3
GA5090	93	101	3
GA5091	90	98	3
GA5092	93	101	3

PASTABA: Paskelbta (-os) triukšmo reikšmė (-ės) nustatyta (-os) pagal standartinį testavimo metodą ir jį galima naudoti vienam įrankiui palyginti su kitu.

PASTABA: Paskelbta (-os) triukšmo reikšmė (-ės) taip pat gali būti naudojama (-os) norint preliminariai įvertinti triukšmo poveikį.

⚠ JSPĖJIMAS: Dėvėkite ausų apsaugą.

⚠ JSPĖJIMAS: Faktiškai naudojant elektrinį įrankį, keliamo triukšmo dydis gali skirtis nuo paskelbtos (-ų) reikšmės (-ių), priklausomai nuo būdų, kuriais yra naudojamas šis įrankis, ir ypač nuo to, kokio tipo ruošinys apdirbamas.

⚠ JSPĖJIMAS: Siekdami apsaugoti operatorių, būtina įvertinkite saugos priemones, remdamiesi vibracijos poveikio įvertinimu esant faktinėms naudojimo sąlygoms (atsižvelgdami į visas darbo ciklo dalis, pavyzdžiui, ne tik kiek laiko įrankis veikia, bet ir kiek kartų jis yra išjungiamas bei kai jis veikia be apkrovų).

⚠ JSPĖJIMAS: Šlifuojant plonus metalinius lakštus arba kitas lengvai vibruojančias didelio paviršiaus ploto konstrukcijas, bendrasis triukšmo lygis gali būti gerokai aukštesnis (iki 15 dB) nei deklaruojamos triukšmo emisijos vertės.

Ant tokių ruošinių uždėkite sunkius ir lanksčius paklotus ar pan., kad sumažintumėte sklaidžiamą triukšmą.

Atsižvelkite į padidėjusį triukšmingumą tiek vertindami triukšmo poveikio pavojų, tiek ir rinkdamiesi adekvačias klausos apsaugos priemones.

Vibracija

Vibracijos bendroji vertė (trიაšio vektoriusa suma) nustatyta pagal EN62841-2-3 standartą:

Darbo režimas: paviršiaus šlifavimas naudojant normalią šoninę rankeną

Modelis	Vibracijos emisija ($a_{hv, AG}$): (m/s ²)	Paklaida (K): (m/s ²)
GA4590	4,7	1,5
GA4591	5,4	1,5
GA4592	4,7	1,5
GA5090	7,9	1,5
GA5091	7,4	1,5
GA5092	7,9	1,5

Darbo režimas: paviršiaus šlifavimas naudojant antivibracinę šoninę rankeną

Modelis	Vibracijos emisija ($a_{hv, AG}$): (m/s ²)	Paklaida (K): (m/s ²)
GA4590	4,9	1,5
GA4591	5,2	1,5
GA4592	4,9	1,5
GA5090	8,8	1,5
GA5091	8,7	1,5
GA5092	8,8	1,5

Darbo režimas: diskinis šlifavimas naudojant normalią šoninę rankeną

Modelis	Vibracijos emisija ($a_{hv, DS}$) : (m/s^2)	Paklaida (K): (m/s^2)
GA4590	3,6	1,5
GA4591	3,2	1,5
GA4592	3,6	1,5
GA5090	2,7	1,5
GA5091	2,7	1,5
GA5092	2,7	1,5

Darbo režimas: diskinis šlifavimas naudojant antivibracinę šoninę rankeną

Modelis	Vibracijos emisija ($a_{hv, DS}$) : (m/s^2)	Paklaida (K): (m/s^2)
GA4590	3,5	1,5
GA4591	2,9	1,5
GA4592	3,5	1,5
GA5090	2,8	1,5
GA5091	3,0	1,5
GA5092	2,8	1,5

PASTABA: Paskelbta (-os) vibracijos bendroji (-osios) reikšmė (-ės) nustatyta (-os) pagal standartinį testavimo metodą ir ji galima naudoti vienam įrankiui palyginti su kitu.

PASTABA: Paskelbta (-os) vibracijos bendroji (-osios) reikšmė (-ės) taip pat gali būti naudojama (-os) norint preliminariai įvertinti vibracijos poveikį.

⚠️ JSPĖJIMAS: Faktiškai naudojant elektrinį įrankį, keliamos vibracijos dydis gali skirtis nuo paskelbtos (-ų) reikšmės (-ių), priklausomai nuo būdų, kuriais yra naudojamas šis įrankis, ir ypač nuo to, kokio tipo ruošinys apdirbamas.

⚠️ JSPĖJIMAS: Siekdami apsaugoti operatorių, būtina įvertinkite saugos priemones, remdamiesi vibracijos poveikio įvertinimu esant faktinėms naudojimo sąlygoms (atsižvelgdami į visas darbo ciklo dalis, pavyzdžiui, ne tik kiek laiko įrankis veikia, bet ir kiek kartų jis yra išjungiamas bei kai jis veikia be apkrovų).

⚠️ JSPĖJIMAS: Paskelbtasis keliamos vibracijos dydis galioja naudojant šį elektrinį įrankį pagrindiniams, numatytiems darbams atlikti. Tačiau, jeigu įrankis naudojamas kitiems darbams atlikti, keliamos vibracijos dydis gali būti kitoks.

EB atitikties deklaracija

Tik Europos šalis

EB atitikties deklaracija yra pridėdama kaip šio instrukcijos vadovo A priedas.

SAUGOS ĮSPĖJIMAI

Bendrieji įspėjimai dirbant elektriniais įrankiais

⚠️ JSPĖJIMAS: Perskaitykite visus saugos įspėjimus, instrukcijas, iliustracijas ir techninius duomenis, pateiktus kartu su šiuo elektriniu įrankiu. Nesilaikant visų toliau išvardytų instrukcijų galima patirti elektros smūgį, gali kilti gaisras ir (arba) galima sunkiai susižaloti.

Išsaugokite visus įspėjimus ir instrukcijas, kad galėtumėte jas peržiūrėti ateityje.

Terminas „elektrinis įrankis“ pateiktuose įspėjimuose reiškia į maitinimo tinklą jungiamą (laidinį) elektrinį įrankį arba akumulatoriaus maitinamą (belaidį) elektrinį įrankį.

Šlifukočio saugos įspėjimai

Toliau pateikti bendrieji saugos įspėjimai šlifuojant, šlifuojant šlifavimo popieriumi, šveičiant vieliniu šepetčiu ir atliekant nupjovimo darbus.

1. Šis elektrinis įrankis skirtas naudoti kaip šlifukočlis, šlifotuvas šlifavimo popieriumi, vielinis šepetys, kiaurymių pjaustytuvas ir pjaustymo įrankis. Perskaitykite visus saugos įspėjimus, nurodymus, peržiūrėkite paveikslėlius ir specifikacijas, pateiktas su šiuo elektriniu įrankiu. Nesilaikant toliau pateiktų nurodymų, galima patirti elektros šoką, sunkų sužalojimą ir (arba) sukelti gaisrą.
2. Su šiuo elektriniu įrankiu nerekomenduojama atlikti tokių darbų kaip poliravimas. Atliekant darbus, kuriems elektrinis įrankis nebuvo sukurtas, gali kilti pavojus ir galima susižaloti.
3. Nekonvertuokite šio elektrinio įrankio siekdami eksploatuoti jį įrankio gamintojo nurodytu būdu. Dėl tokių konvertavimo darbų rizikuojama prarasti naudojamo įrankio kontrolę ir sunkiai susižaloti.
4. Nenaudokite priedų, kurių įrankio gamintojas konkrečiai nesuprojektavo ir nenurodė naudoti su įrankiu. Net jei priedą galima pritaisyti prie jūsų elektrinio įrankio, tai vis tiek neužtikrina saugios eksploatacijos.

5. **Vardinis priedo sukimosi greitis turi būti bent jau lygus maksimaliam greičiui, nurodytam ant elektrinio įrankio.** Greičiau nei vardinis greitis besisukdami priedai gali sulūžti ir atsikirti.
 6. **Priedo išorinis skersmuo ir storis turi atitikti elektrinio įrankio pajėgumo kategoriją.** Netinkamo dydžio priedų negalima tinkamai apsaugoti ar valdyti.
 7. **Priedo įtvoro matmenys turi atitikti elektrinio įrankio montavimo įrangos matmenis.** Priedai, kurie neatitinka elektrinio įrankio montavimo įrangos, bus nesubalansuoti, pernelyg vibruos ir gali tapti nevaldomi.
 8. **Nenaudokite sugadinto priedo. Kiekvieną kartą prieš naudodami įrankį patikrinkite jo priedus, pvz., ar šlifavimo diskai nenuadaužyti ir nesutrūkę, ar nėra atraminių padų įtrūkių, plyšių, ar jie ne per daug nusidėvėję, ar nėra iškritusių vielinio šepetčio vielų ir ar jos nenulūžusios.** Jei elektrinis įrankis ar priedas numetamas, patikrinkite, ar jis nesugadintas, arba įdėkite nesugadintą priedą. Patikrinę ir įdėję priedą, atsitraukite nuo besisukančio priedo plokštumos ir paprašykite, kad pašaliniai asmenys atsitrauktų, tuomet vieną minutę leiskite elektriniam įrankiui veikti maksimaliu greičiu be apkrovos. Sugadinti priedai paprastai šiuo bandomuoju laikotarpiu sulūžta.
 9. **Naudokite asmenines apsaugos priemones. Atsisūvelgdami į naudojimo pobūdį, naudokite apsauginį veido skydelį arba apsauginius akinius.** Kaip pridera, mūvėkite pirštines, dėvėkite apsaugos nuo dulkių kaukę, klausos apsaugos priemones ir dirbtuvės prijuostę, sulaikančią smulkius abrazyvus ar ruošinio skeveldras. Akių apsaugos priemonės turi sulaikyti skriejančias nuolaužas, susidarancias atliekant įvairius darbus. Dulkių kaukę arba respiratorius turi tinkamai išfiltruoti konkretų darbą dirbant susidariusias daleles. Dėl intensyvaus ilgalaikio triukšmo galima prarasti klausą.
 10. **Pašaliniai asmenys turi laikytis toliau nuo darbo vietos. Kiekvienas, užeinantis į darbo vietą, turi dėvėti asmenines apsaugos priemones.** Ruošinio ar sulūžusio priedo skeveldros gali nusikreipti toliau ir sužeisti asmenis, esančius už tuo metu atliekamo darbo zonos.
 11. **Atlikdami darbus, kurių metu pjovimo antgalis galėtų užkliudyti nematomą laidą arba savo paties laidą, laikykite elektrinius įrankius tik už izoliuotų paviršių.** Pjovimo antgaliai prisilietus prie laido, kuriuo teka elektros srovė, įtampa gali būti perduota neizoliuotoms metalinėms elektrinio įrankio dalims ir operatorius gali patirti elektros šoką.
 12. **Saugiai atitraukite laidą nuo besisukančio priedo.** Praradę kontrolę, galite perkirsti ar užkliudyti laidą, o jūsų ranką gali įtraukti besisukantis priedas.
 13. **Niekada nepadėkite šio elektrinio įrankio, kol jo priedas nėra visiškai sustojęs.** Greitai besisukantis priedas gali užkabinoti paviršių ir jūs galite nebesuvaldyti elektrinio įrankio.
 14. **Įrankis, nešamas prie šono, turi būti išjungtas.** Greitai besisukantis priedas gali atsitiktinai užkabinoti jūsų drabužius ir jus sužaloti.
 15. **Reguliariai valykite elektrinio įrankio oro ventiliacijos angas.** Variklio ventilatorius traukia dulkes į korpuso vidų ir dėl per didelių metalo dulkių sankaupų gali kilti su elektros įranga susijęs pavojus.
 16. **Nenaudokite elektrinio įrankio būdami netoliese liepsniųjų medžiagų.** Nuo kibirkščių šios medžiagos gali užsidegti.
 17. **Nenaudokite priedų, kuriems reikalingi skytietji ausalai.** Naudojant vandenį ar kitą skystį, gali išstikti mirtinga elektros trauma ar elektros šokas.
- Atatranka ir su ja susiję įspėjimai**
- Atatranka yra staigi reakcija į suspaustą arba sugriebtą besisukančią diską, atraminį padėklą, šepetį ar kitą priedą. Suspaudimas arba sugnybimas sukelia staigų besisukančio priedo sulaikymą, dėl to nevaldomas elektrinis įrankis sulaikymo taške verčiamas judėti priešinga priedo sukimosi kryptimi.
- Pavyzdžiui, jei šlifavimo diską suspaudžia ruošinys, disko kraštas, kuris patenka į suspaudimo tašką, gali įsmigti į medžiagos paviršių ir dėl to diskas atšoks. Diskas gali atšokti į operatorių arba nuo jo; tai priklauso nuo disko sukimosi krypties suspaudimo metu. Tokiu atveju šlifavimo diskai gali papildomai suskilti.
- Atatranka yra piktnaudžiavimo elektriniam įrankiui ir (arba) netinkamų darbo procedūrų ar sąlygų rezultatas, jos galima išvengti vadovaujantis toliau nurodytomis atsargumo priemonėmis.
1. **Tvirtai laikykite elektrinį įrankį abiem rankomis ir stovėkite taip, kad jūsų kūnas bei ranka netrukdytų priešintis atatrankos jėgoms.** Visada naudokite pagalbinę rankeną (jei yra), siekdami užtikrinti maksimalią atatrankos bei sukimo momento reakcijos kontrolę paleidimo metu. Operatorius gali suvaldyti sukimo momento reakciją bei atatrankos jėgą, jei imsis atitinkamų atsargumo priemonių.
 2. **Niekada nelaiykite rankos šalia besisukančio priedo.** Priedas gali atsitrenkti į jūsų ranką.
 3. **Nebūkite toje zonoje, kurios link judės elektrinis įrankis, jei įvyks atatranka.** Atatranka pastums įrankį priešinga disko sukimosi kryptimi suspaudimo taške.
 4. **Būkite itin atidūs dirbdami prie kampų, aštrių kraštų ir pan. Venkite priedo atšokimo ir suspaudimo.** Besisukantis priedas gali užsikabinti ar atsitrenkti į kampus, aštrius kraštus ir sukelti atatranką, o dėl to galima prarasti įrankio kontrolę.
 5. **Nenaudokite pjūklų grandinės, medžio raižymo disko, segmentuoto deimantinio disko, jeigu šoninis tarpelis yra didesnis nei 10 mm, arba datytojo pjovimo disko.** Tokie diskai dažnai sukelia atatranką ir įrankio kontrolės problemų.
- Saugos įspėjimai, susiję su šlifavimo ir nupjovimo veiksmais**
1. **Naudokite tik tuos diskus, kurie nurodyti naudoti su elektriniu įrankiu, ir specialią tam diskui skirtą apsaugą.** Diskai, kurie netinka elektriniam įrankiui, negali būti tinkamai apsaugoti ir yra nesaugūs.
 2. **Sumontuotų diskų su įspaustu centru šlifavimo paviršius privalo būti žemiau apsaugo krašto plokštumos.** Netinkamai sumontuoto disko, kuris kyšo pro apsaugo krašto plokštumą, nebūs galima tinkamai apsaugoti.

3. **Apsaugas turi būti tinkamai pritvirtintas prie elektrinio įrankio. Siekiant apsaugoti kuo labiau, jis turi būti nustatytas taip, kad kuo mažesnė disko dalis galėtų paveikti operatorių.** Apsaugas padeda apsaugoti operatorių nuo atskilusių disko dalių ir netyčinio prisilietimo prie disko bei kibirkščių, kurios gali uždegti drabužius.
4. **Diskai turi būti naudojami tik nurodytiems darbams atlikti. Pavyzdžiui, nešlifukite nupjovimo disko šonu.** Šlifavimo-nupjovimo diskai yra skirti periferinio šlifavimo operacijoms atlikti, todėl diskus veikiančios šoninės jėgos juos gali suskaldyti.
5. **Visada naudokite tik nesugadintas diskų junges, kurios pasirinktam diskui yra tinkamo dydžio bei formos.** Tinkamos diskų jungės prilaiko diską, mažindamos disko trūkimo tikimybę. Nupjovimo diskams skirtos jungės gali skirtis nuo šlifavimo diskų jungių.
6. **Nenaudokite nusidėvėjusių diskų nuo didesnių elektrinių įrankių.** Didesniems elektriniams įrankiams skirti diskai netinka greičiau besisukančiam mažesniai įrankiui: jie gali sutrukti.
7. **Naudojant dvejopos paskirties diskus, būtina naudoti tinkamą apsaugą, parekamą pagal atliekamą darbą.** Jei nenaudosite tinkamo apsaugo, gali nebūti užtikrintas pageidaujamas apsaugos lygis ir dėl to galimi sunkūs sužalojimai.

Papildomi saugos įspėjimai, susiję su nupjovimo veiksmis

1. **Nestrigdykite nupjovimo disko ir pernelę jo nespauskite. Nebandykite pjauti pernelę giliai.** Per stipriai spaudžiant, padidėja apkrova ir disko persikreipimo ar užstrigimo pjūvyje tikimybė bei atatrunkos ar disko lūžimo galimybė.
2. **Nebūkite besisukančio disko linijoje.** Kai diskas veikimo taške juda nuo jūsų kūno, galima atatrunka gali pastumti besisukančią diską ir elektrinį įrankį tiesiai į jus.
3. **Kai diskas užstrigo arba kai pjovimas dėl kitų priežasčių nutraukiamas, išjunkite elektrinį įrankį ir nejudinkite jo, kol diskas visiškai nenustos sukstis. Niekada nebandykite išimti nupjovimo disko iš pjūvio, kai diskas sukasi, nes gali įvykti atatrunka.** Ištrinkite ir imkitės tinkamų veiksmų, kad pašalintumėte disko užstrigimo priežastį.
4. **Nepradėkite iš naujo pjauti, kai diskas ruošinyje. Leiskite, kad diskas pasiektų visą greitį ir tik tada atsargiai įleiskite jį į pjūvį.** Diskas gali įstrigti, iššokti arba atšokti, jei elektrinis įrankis bus iš naujo paleistas diskui esant ruošinyje.
5. **Plokštes ar kitus per didelio dydžio ruošinius paremkite ir taip sumažinkite pavojų, kad diskas bus suspaustas ir įvykis atatrunka.** Dideli ruošiniai linksta dėl savo pačių svorio. Ruošinį reikia paremti iš abiejų disko pusių, šalia pjovimo linijos ir prie ruošinio krašto.
6. **Būkite ypač atsargūs, kai darote „kišeninį“ pjūvį sienose ar kituose aklinuose plutuose.** Atsikišęs diskas gali prapjauti dujų ar vandens vamzdžius, elektros laidus arba objektus, kurie gali sukelti atatrunką.

7. **Nebandykite daryti kreivinio pjūvio.** Per stipriai spaudžiant, padidėja apkrova ir disko persikreipimo ar užstrigimo pjūvyje tikimybė, atatrunkos ar disko lūžimo bei rimto susižalojimo galimybė.
8. **Prieš naudodami segmentuotą deimantinį diską, įsitinkinkite, ar periferiniai tarpeliai tarp deimantinio disko segmentų yra 10 mm arba mažesni, tik neigiamo nuolydžio kampe.**

Specialūs saugos įspėjimai atliekant šlifavimo darbus šlifavimo popieriumi

1. **Naudokite tinkamo dydžio šlifavimo popieriaus diską. Kai renkatės šlifavimo popierių, laikykitės gamintojo rekomendacijų.** Didesnis šlifavimo popierius, kuris išsikiša per toli už šlifavimo padėklo ribų, gali sukelti įplėšimo pavojų, dėl to gali lūžti diskas arba įvykti atatrunka.

Specialūs saugos įspėjimai dirbant su vieliniu šepėčiu

1. **Atkreipkite dėmesį, kad vieliniai šereliai krinta iš šepėčio netgi įprasto naudojimo metu. Neperspauskite šerelių ir pernelę nespauskite šepėčio.** Vieliniai šereliai gali lengvai pradurti ploną drabužį ir (arba) odą.
2. **Jei nurodyta naudoti vielinio šepėčio apsaugą, neleiskite, kad vielinis diskas ar šepetys būtų naudojami be apsaugo.** Vielinio disko ar šepėčio skersmuo dėl darbinio krūvio ir išcentrinųjų jėgų poveikio gali padidėti.

Papildomi saugos įspėjimai:

1. **Naudodami nuspaustus centrinius šlifavimo diskus, būtina naudokite tik stiklo pluoštu sustiprintus diskus.**
2. **Su šiuo šlifuko kliu NIEKADA NENAUDOKITE taurelės formos akmeninio šlifavimo disko.** Šis šlifuko kliu nėra skirtas naudoti su šio tipo diskais, todėl naudojant tokį gaminį galima sunkiai susižeisti.
3. **Nepažeiskite veleno, jungės (ypač montavimo paviršiaus) ir fiksavimo galvutės.** Dėl šių dalių pažeidimų gali lūžti diskas.
4. **Prieš įjungdami jungiklį patikrinkite, ar diskas nesiliečia su ruošiniu.**
5. **Prieš naudodami įrankį su ruošiniu, leiskite jam kurį laiką veikti be apkrovos.** Stebėkite, ar nėra vibracijos ar klībėjimo, rodančio, jog blogai surinkta ar kad blogai subalansuotas diskas.
6. **Šlifavimui naudokite nurodyto paviršiaus diską.**
7. **Nepalikite veikiančio įrankio. Naudokite įrankį tik laikydami rankomis.**
8. **Nelieskite ruošinio iškart po naudojimo; jis gali būti itin karštas ir nudeginti odą.**
9. **Nelieskite priedų iš karto po naudojimo; jie gali būti itin karšti ir nudeginti odą.**
10. **Laikykites gamintojo nurodymų apie teisingą diskų uždėjimą ir naudojimą.** Su diskais elkitės ir juos laikykite rūpestingai.
11. **Nenaudokite atskirų mažinimo įvorių arba adapterių, skirtų didelių skylių šlifuojamiesiems diskams uždėti.**

12. Naudokite tik šiam įrankiui nurodytas junges.
13. Jei naudojate įrankius, kuriems skirti diskai su sriegiu, įsitikinkite, ar sriegis diske yra pakankamai ilgas, kad tikėtų veleno ilgis.
14. Patikrinkite, ar ruošinys yra tinkamai palaikomas.
15. Atkreipkite dėmesį, kad išjungus įrankį diskas toliau sukasi.
16. Jei darbo vieta yra ypač karšta ir drėgna arba labai užteršta laidžiomis dulkelėmis, naudokite užtrumpinimo pertraukiklį (30 mA), kad užtikrintumėte naudojimo saugumą.
17. Nenaudokite įrankio su bet kokiais medžiagomis, kuriose yra asbesto.
18. Kai naudojate nupjovimo diską, visuomet dirbkite su dulkes renkančiu disko apsaugu, jei jo reikalaujama pagal vietines taisykles.
19. Pjovimo diskų negalima spausti iš šonų.
20. Nenaudokite medžiaginių pirštinių darbo metu. Medžiaginių pirštinių audinio pluoštų gali patekti į įrankį, todėl įrankis gali sugesti.
21. Prieš dirbdami įsitikinkite, kad nėra jokio paslėpto daikto, pavyzdžiui, elektros vamzdžio, vandens vamzdžio arba dujų vamzdžio ruošinyje. Antraip jis gali sukelti elektros smūgį, elektros arba dujų nuotėkį.
22. Jei prie disko prijungta tvirtinimo dalis, šios nenuimkite. Tvirtinimo dalies skersmuo turi būti didesnis nei fiksavimo veržlės, išorinės jungės ir vidinės jungės.
23. Prieš montuodami šlifavimo diską, visada patikrinkite, ar tvirtinimo dalis neturi jokių defektų, pavyzdžiui, atplaišų arba įtrūkimų.
24. Tinkamai priveržkite fiksavimo veržlę. Priveržus diską per daug, jis gali trūkti, o priveržus nepakankamai – virpėti.

SAUGOKITE ŠIAS INSTRUKCIJAS.

⚠️ PERSPĖJIMAS: NELEISKITE, kad patogumas ir gaminio pažinimas (įgyjamas pakartotinai naudojant) susilpnintų griežtą saugos taisyklių, taikytinų šiam gaminiui, laikymąsi. Dėl NETINKAMO NAUDOJIMO arba saugos taisyklių, kurios pateiktos šioje instrukcijoje, nesilaikymo galima rimtai susižeisti.

VEIKIMO APRAŠYMAS

⚠️ PERSPĖJIMAS: Prieš pradėdami reguliuoti arba tikrinti įrankio veikimą, visuomet būtinai išjunkite įrankį ir atjunkite jį nuo maitinimo tinklo.

Įrankio apsaugos sistema

Įrankyje įrengta įrankio apsaugos sistema. Siekiant paiginti įrankio eksploataciją, ši sistema automatiškai sumažina arba atjungia variklio maitinimą. Įrankis automatiškai sumažina galią arba sustoja, darbo metu kilus vienai iš toliau nurodytų sąlygų.

Apsauga nuo perkrovos

Kai įrankis naudojamas taip, kad neįprastai padidėja elektros srovė, įrankis automatiškai sumažina galią be jokių indikacijų. Tokiu atveju reikia pašalinti perkrovos priežastį, kad sukimosi greitis būtų atkurtas.

Apsauga nuo perkaitimo

Priklausoma nuo valstybės

Jei perkaista, įrankis automatiškai sustoja ir ima mirksėti raudona indikacinė lemputė. Tokiu atveju leiskite įrankiui atvėsti. Kai lemputės spalva pakis iš raudonos į žalią, galėsite įrankį vėl įjungti.

Indikacinė lemputė

► **Pav.1:** 1. Indikacinė lemputė

Prijungus įrankį, užsidega žalia įjungimo indikacinė lemputė. Jei indikacinė lemputė mirksi raudona spalva, vadinasi, nustojo veikti apsauga nuo perkaitimo, aktyvus grįžtamojo ryšio aptikimo technologija arba apsaugos nuo netyčinio įjungimo funkcija. Tokiu atveju įrankį išjunkite. Tada vėl įjunkite įrankį. Jei, išjungus įrankį, indikacinė lemputė ima šviesti raudona spalva, vadinasi, įrankis perkaito. Tokiu atveju atvėsinkite įrankį ir palaukite, kol indikacinė lemputė bus žalia.

Greičio reguliavimo ratukas

Tik modeliui GA4590 / GA4591 / GA5090 / GA5091

⚠️ PERSPĖJIMAS: Jei įrankis be pertraukos ilgą laiką veikia mažu greičiu, variklis patiria perkrovą ir įkaista.

⚠️ PERSPĖJIMAS: Greičio reguliavimo ratuką galima pasukti tik iki 5 ir atgal iki 1. Per jėgą nuskaitę jo toliau nei 5 ar 1, nes greičio reguliavimo funkcija gali nustoti veikti.

Sukant greičio reguliavimo ratuką pagal pateiktus nustatymo skaičius nuo 1 iki 5, galima reguliuoti sukimosi greitį. Ratuką sukant skaičiaus 5 link, greitis didėja. Ratuką sukant skaičiaus 1 link, greitis mažėja. Žr. toliau pateiktą lentelę, kad pamatytumėte ryšį tarp skaičių nuostatų ant ratuko ir apytiksliai sukimosi greičio.

Skaičius	Vardinis greitis
1	2 800 min ⁻¹
2	4 500 min ⁻¹
3	6 500 min ⁻¹
4	8 000 min ⁻¹
5	11 500 min ⁻¹

► **Pav.2:** 1. Greičio reguliavimo ratukas

Ašies fiksatorius

⚠ PERSPĖJIMAS: Niekada nejunkite ašies fiksatoriaus, kai juda velenas. Kitaip galite sunkiai susižaloti arba apgadinti įrankį.

Paspauskite ašies fiksatorių, kad velenas nesisuktų, kai dedate ar nuimate priedus.

► **Pav.3:** 1. Ašies fiksatorius

Jungiklio veikimas

⚠ PERSPĖJIMAS: Prieš įjungdami įrankį į elektros tinklą, visuomet patikrinkite, ar stumdomas jungiklis tinkamai įsijungia ir grįžta į „OFF“ (išjungta) padėtį, kai nuspaudžiama jungiklio galinė dalis.

⚠ PERSPĖJIMAS: Kai įrankis naudojamas ilgą laiką, operatoriaus patogumui jungiklį galima užfiksuoti į „ON“ (įjungta) padėtį. Būkite atsargūs, užfiksuodami įrankį į „ON“ (įjungta) padėtį, ir tvirtai laikykite įrankio rankeną.

Norėdami įjungti įrankį, spauskite galinę jungiklio dalį, po to pastumkite ją „I“ (įjungimo) padėties link. Jei norite dirbti be pertraukų, paspauskite žemyn stumdomo jungiklio priekinę dalį, kad užfiksuotumėte.

► **Pav.4:** 1. Stumdomas jungiklis

Norėdami išjungti įrankį, spauskite žemyn galinę jungiklio dalį, kad ji sugrįžtų į „O“ (išjungimo) padėtį.

► **Pav.5:** 1. Stumdomas jungiklis

Elektroninė funkcija

Aktyvaus grįžtamojo ryšio aptikimo technologija

⚠ PERSPĖJIMAS: Tvirtai laikykite įrankį, kol nustos sukstis.

Įrankio elektroninė funkcija aptinka situacijas, kurioms esant diskas arba priedas gali įstrigti. Tokiu atveju įrankis automatiškai išjungia maitinimą, kad velenas daugiau nesisuktų (tai nepadeda išvengti atatrankos). Šiuo metu indikacinė lemputė mirksės raudona spalva, rodydama, kad veikia aktyvaus grįžtamojo ryšio aptikimo technologija. Norėdami iš naujo įjungti įrankį, pirmiausia išjunkite jį, pašalinkite staigaus užstrigimo priežastį, tada vėl įjunkite įrankį.

Apsaugos nuo netyčinio įjungimo funkcija

Jei prijungiant įrankį bus įjungtas jungiklis, įrankis nepasileis. Šiuo metu indikacinė lemputė mirksės raudona spalva, rodydama, kad veikia apsaugos nuo netyčinio įjungimo funkcija. Norėdami paleisti įrankį, išjunkite jungiklį ir vėl jį įjunkite.

Nuolatinis greičio reguliavimas

Galima lygiai šlifuoti, nes palaikomas vienodas sukimosi greitis, net esant apkrovai.

Tolygaus įjungimo funkcija

Tolygus įjungimas slopina įjungimo reakciją.

Mechaninis stabdys

Tik modeliui GA4591 / GA5091

Mechaninis stabdys aktyvuojamas po to, kai įrankis išjungiamas.

Stabdys neveikia atjungus maitinimą, bet neišjungus jungiklio.

SURINKIMAS

⚠ PERSPĖJIMAS: Prieš ką nors darydami su įrankiu, visada patikrinkite, ar jis išjungtas, o laido kištukas ištrauktas iš elektros lizdo.

Šoninės rankenos montavimas

⚠ PERSPĖJIMAS: Prieš naudodami visuomet įsitikinkite, ar šoninė rankena yra patikimai uždėta.

Prisukite šoninę rankeną patikimai jos vietoje, kaip parodyta paveikslėlyje.

► **Pav.6**

Disko saugiklio uždėjimas ar nuėmimas

⚠ PERSPĖJIMAS: Kai naudojate diską su įgaubtu centru, poliravimo disku, lankstųjį diską arba vielinį disko formos šepetėlį, apsauginis disko gaubtas turi būti uždėtas ant įrankio taip, kad uždaras apsauginio gaubto šonas visuomet būtų atsuktas į operatorių.

⚠ PERSPĖJIMAS: Įsitikinkite, kad disko saugiklis yra tvirtai užfiksuotas fiksavimo svirtelė vienoje iš disko saugiklio skylių.

⚠ PERSPĖJIMAS: Naudodami šlifuojamąjį pjovimo / deimantinį diską, būtinai naudokite tik specialų apsauginį gaubtą, skirtą naudoti su pjovimo diskais.

Nuspaustam centriniam diskui, poliravimo diskui, lankščiajam diskui, vieliniam disko formos šepetėliui / šlifuojamajam pjovimo diskui, deimantiniam diskui

1. Spausdami fiksavimo svirtelę, uždėkite disko saugiklį, išsikišimus sutapdindami su ant jo esančiomis įrantomis ties guolių dėže.

► **Pav.7:** 1. Fiksavimo svirtelė 2. Įranta 3. Iškyša

2. Stumdami fiksavimo svirtelę A dalies link, prilaikykite disko apsaugo B dalis, kaip parodyta paveikslėlyje.

► **Pav.8:** 1. Disko apsaugas 2. Kiaurymė

PASTABA: Spauskite disko apsaugą tiesiai žemyn. Priešingu atveju negalėsite užfiksuoti disko apsaugo.

3. Stumdami fiksavimo svirtelę link A dalies, sukite disko apsaugą C dalies link ir tada pakeiskite disko apsaugo kampą pagal ruošinį taip, kad operatorius būtų apsaugotas. Sulygiuokite fiksavimo svirtelę su viena iš disko saugiklio angų ir tada atlaisvinkite fiksavimo svirtelę disko saugikliui užfiksuoti.
- **Pav.9:** 1. Disko apsaugas 2. Kiaurymė

Jei norite išimti disko saugiklį, atlikite montavimo procedūrą atvirkščia tvarka.

Užspaudžiamasis pjovimo disko apsaugo priedas

Pasirenkamas priedas

PASTABA: Vykdamt nupjovimo veiksmus, galima naudoti užspaudžiamąjį pjovimo disko apsaugo priedą su disko apsaugu (skirtu šlifavimo diskui).

Kai kuriose šalyse nesiuoloma.

- **Pav.10**

Disko su įgaubtu centru arba poliravimo disko uždėjimas ir nuėmimas

Pasirenkamas priedas

▲JSPĖJIMAS: Kai naudojate diską su įgaubtu centru arba poliravimo diską, apsauginis disko gaubtas turi būti uždėtas ant įrankio taip, kad uždaras apsauginio gaubto šonas visuomet būtų atsuktas į operatorių.

▲JSPĖJIMAS: Įsitinkinkite, ar vidinės jungės tvirtinimo dalis puikiai telpa į disko su įgaubtu centru / poliravimo disko vidinį skersmenį. Sumontavus vidinę jungę netinkamoje pusėje, gali kilti pavojinga vibracija.

Uždėkite vidinę jungę ant veleno.

Vidinės jungės įrantiya dalis būtinai turi būti uždėta ant tiesios dalies ties veleno apačia.

Uždėkite diską su įgaubtu centru / poliravimo diską ant vidinės jungės ir užsukite ant veleno antveržlę.

- **Pav.11:** 1. Fiksavimo veržlė 2. Nuspaustas centrinis diskas 3. Vidinė jungė 4. Tvirtinimo dalis

Jei norite priveržti fiksavimo galvutę, stipriai paspauskite ašies fiksatorių taip, kad velenas negalėtų sukstis, tada pasinaudokite fiksavimo galvutės raktu ir patikimai priveržkite pagal laikrodžio rodyklę.

- **Pav.12:** 1. Fiksavimo galvutės raktas 2. Ašies fiksatorius

Jei norite nuimti diską, laikykitės uždėjimo procedūros atvirkščia tvarka.

Lankščiojo disko uždėjimas ir nuėmimas

Pasirenkamas priedas

▲JSPĖJIMAS: Visada naudokite pateiktą apsauginį gaubtą, kai ant įrankio uždėtas lankstusis diskas. Naudojimo metu diskas gali subyrėti, o apsauginis gaubtas sumažina galimybę susižeisti.

- **Pav.13:** 1. Fiksavimo veržlė 2. Lankstusis diskas 3. Atraminis pagrindas 4. Vidinė jungė

Vadovaukitės diskui su įspausu centru taikomais nurodymais, bet ant disko taip pat uždėkite atraminį pagrindą.

Šlifavimo disko uždėjimas ir nuėmimas

Pasirenkamas priedas

- **Pav.14:** 1. Šlifavimo priedo fiksuojamoji veržlė 2. Šlifavimo diskas 3. Guminis pagrindas

1. Uždėkite ant ašies guminį pagrindą.
2. Uždėkite diską ant guminio pagrindo ir užsukite antveržlę ant veleno.
3. Laikykite veleną su ašies fiksatoriumi ir fiksuojamosios veržlės veržliarakčiu pagal laikrodžio rodyklę gerai priveržkite šlifavimo priedo fiksuojamąją veržlę.

Jei norite nuimti diską, laikykitės uždėjimo procedūros atvirkščia tvarka.

PASTABA: Naudokite šiame vadove išvardintus papildomus šlifavimo priedus. Juos reikia įsigyti atskirai.

„Super“ jungė

Pasirenkamas priedas

Tik modeliui GA4590 / GA4592 / GA5090 / GA5092

„Super“ jungė – tai specialus priedas, skirtas modeliams, kuriuose NĖRA stabdymo funkcijos.

Fiksavimo veržlei atsukti reikia tik 1/3 jėgos, reikalingos įprastai veržlei atsukti.

„Ezynut“ įdėjimas ir išėmimas

Pasirenkamas priedas

Tik įrankiams su veleno sriegiu M14.

▲PERSPĖJIMAS: Su „Super“ jungė nenaudokite „Ezynut“. Šios jungės yra itin storos ir ant veleno nebus užsuktas visas sriegis.

Uždėkite vidinę jungę, šlifavimo diską ir veržlę „Ezynut“ ant veleno taip, kad ant „Ezynut“ esantis logotipas „Makita“ būtų nukreiptas į išorę.

- **Pav.15:** 1. „Ezynut“ 2. Šlifavimo diskas 3. Vidinė jungė 4. Velenas

Tvirtai įspauskite ašies fiksatorių ir priveržkite veržlę „Ezynut“, sukdami abrazyvinį diską pagal laikrodžio rodyklę tiek, kiek jis suksis.

- **Pav.16:** 1. Ašies fiksatorius

„Ezynut“ atlaisvinti sukite jos išorinį žiedą prieš laikrodžio rodyklę.

PASTABA: Jeigu tik rodyklė nukreipta įranti link, veržlę „Ezynut“ galima atsukti rankomis. Kitais atvejais, norint ją atsukti, reikia fiksavimo veržlės veržliarakčio. Įkiškite vieną veržliarakčio smaigą į angą ir sukite veržlę „Ezynut“ prieš laikrodžio rodyklę.

- **Pav.17:** 1. Rodyklė 2. Įranta

- **Pav.18**

Šlifuojamojo pjovimo disko / deimantinio disko montavimas

Pasirenkamas priedas

⚠ JSPĖJIMAS: Naudodami šlifuojamąjį pjovimo / deimantinį diską, būtinai naudokite tik specialų apsauginį gaubtą, skirtą naudoti su pjovimo diskais.

⚠ JSPĖJIMAS: NIEKADA nenaudokite pjovimo disko šonams šlifuoti.

- **Pav.19:** 1. Fiksavimo veržlė 2. Šlifuojamasis pjovimo diskas / deimantinis diskas 3. Vidinė jungė 4. Apsauginis gaubtas šlifuojamajam pjovimo diskui / deimantiniam diskui

Norėdami sumontuoti diską su įgaubtu centru, vykdykite jam skirtas instrukcijas.

Fiksavimo veržlės ir vidinės jungės montavimo kryptis priklauso nuo disko tipo ir storio.

Zr. šiuos paveikslėlius.

Montuojant šlifuojamąjį pjovimo diską:

- **Pav.20:** 1. Fiksavimo veržlė 2. Šlifuojamasis pjovimo diskas (plonesnis nei 4 mm) 3. Šlifuojamasis pjovimo diskas (4 mm ar storesnis) 4. Vidinė jungė

Montuojant deimantinį diską:

- **Pav.21:** 1. Fiksavimo veržlė 2. Deimantinis diskas (plonesnis nei 4 mm) 3. Deimantinis diskas (4 mm ar storesnis) 4. Vidinė jungė

Vielinio šepetėlio sumontavimas

Pasirenkamas priedas

⚠ PERSPĖJIMAS: Nenaudokite apgadinto arba išbalansuoto šepetėlio. Naudojant apgadintą šepetėlį, prisilietus prie aplūžusių šepetėlio vielų, galima susižeisti.

Apverskite įrankį, kad lengvai pasiektumėte veleną.

Nuimkite nuo veleno visus priedus. Užsukite ant veleno vielinį taurelės formos šepetėlį ir priveržkite jį pateiktuoj veržliarakčiu.

- **Pav.22:** 1. Vielinis šepetėlis

Vielinio disko formos šepetėlio sumontavimas

Pasirenkamas priedas

⚠ PERSPĖJIMAS: Nenaudokite apgadinto arba išbalansuoto vielinio, disko formos šepetėlio. Naudojant apgadintą vielinį, disko formos šepetėlį, prisilietus prie aplūžusių šepetėlio vielų, galima susižeisti.

⚠ PERSPĖJIMAS: Naudodami vielinius, disko formos šepetėlius, VISADA naudokite apsauginį gaubtą, kuriame tilptų atitinkamo skersmens diskas. Naudojimo metu diskas gali subyrėti, o apsauginis gaubtas sumažina galimybę susižeisti.

Apverskite įrankį, kad lengvai pasiektumėte veleną.

Nuimkite nuo veleno visus priedus. Užsukite vielinį disko formos šepetėlį ant veleno ir priveržkite veržliarakčiais.

- **Pav.23:** 1. Vielinis disko formos šepetėlis

Tuščiaavidurio grąžto įrengimas

Pasirenkamas priedas

Apverskite įrankį, kad lengvai pasiektumėte veleną. Nuimkite nuo veleno visus priedus. Užsukite tuščiaavidurį grąžtą ant veleno ir priveržkite pateiktu veržliarakčiu.

- **Pav.24:** 1. Tuščiaaviduris grąžtas

Dulkes renkančio disko apsaugo įrengimas šlifavimui

Pasirenkamas priedas

Naudodami pasirenkamus priedus, galite naudoti šį įrankį betono paviršiui lyginti.

⚠ PERSPĖJIMAS: Dulkes renkančio disko saugiklis subalansuotam deimantiniam diskui skirtas naudoti tik lyginant betoninį paviršių su subalansuotu deimantiniu disku. Nenaudokite šio saugiklio su jokių kitų pjovimo priedu ar bet kuriam kitam tikslui.

⚠ PERSPĖJIMAS: Prieš dirbdami įsitikinkite, kad vakuuminis valymo įrenginys prijungtas prie įrankio ir įjungtas.

Apverskite įrankį ir įrenkite dulkes renkančią disko apsaugą.

Sumontuokite vidinę jungę ant veleno.

Sumontuokite taurelės tipo deimantinį diską ant vidinės jungės ir priveržkite fiksavimo veržlę ant veleno.

- **Pav.25:** 1. Fiksavimo veržlė 2. Taurelės tipo deimantinis diskas 3. Taurelės tipo su įvore deimantinis diskas 4. Vidinė jungė 5. Dulkes renkantis disko saugiklis 6. Guolių dėžė

PASTABA: Informacijos apie tai, kaip pritvirtinti dulkes renkančią disko apsaugą, rasite jo vadove.

Dulkes renkančio disko apsaugo įrengimas nupjovimo operacijai atlikti

Pasirenkamas priedas

Naudodami pasirenkamuosius priedus, galite šiuo įrankiu pjauti akmenį.

- **Pav.26**

PASTABA: Informacijos apie tai, kaip pritvirtinti dulkes renkančią disko apsaugą, rasite jo vadove.

Dulkių siurblio prijungimas

Pasirenkamas priedas

⚠️ JSPĖJIMAS: Niekada nesiurbkite metalo dalelių, susidariusių šlifuojant / pjaunant / šlifuojant šlifavimo popieriumi. Atliekant tokį darbą susidariusios metalo dalelės yra tiek įkaitusios, kad gali uždegti dulkes ir vakuuminio valymo įrenginyje esantį filtrą.

Norėdami išvengti dulkelės aplinkos, kuri susidaro pjaunant mūrą, naudokite dulkes renkančio disko saugiklį ir vakuuminį valymo įrenginį.

Informacijos, kaip surinkti ir naudoti dulkes renkančio disko saugiklį, ieškokite prie jo pridėtoje naudojimo instrukcijoje.

- **Pav.27:** 1. Dulkes renkantis disko saugiklis
2. Vakuuminio valymo įrenginio žarna

Dulkių gaubto įtaiso montavimas ir nuėmimas

Pasirenkamas priedas

⚠️ PERSPĖJIMAS: Prieš montuodami arba nuimdami dulkių gaubto įtaisą, visada patikrinkite, ar įrankis išjungtas, o kištukas ištrauktas iš elektros lizdo. Jeigu įrankis bus įjungtas, galite sugadinti įrankį arba susižeisti.

Kiekvienoje nurodytoje vietoje įrenkite dulkių dangčio priedą.

Išsamiau skaitykite dulkių dangčio priedo naudojimo instrukcijoje.

PASTABA: Išvalykite dulkių gaubtą, jeigu jame susikaupia dulkių arba pašalinių medžiagų.

Ūsiant darbą, kai dulkių gaubtas užkimštas, įrankis gali būti sugadintas.

NAUDOJIMAS

⚠️ JSPĖJIMAS: Dirbant įrankiu niekada nereikėtų naudoti jėgos. Įrankio svoris sukelia pakankamą spaudimą. Jėgos naudojimas ir per didelis spaudimas kelia disko lūžimo pavojų.

⚠️ JSPĖJIMAS: VISUOMET pakeiskite diską, jei įrankis iškrito šlifavimo metu.

⚠️ JSPĖJIMAS: NIEKADA nedaužykite disko į ruošinį.

⚠️ JSPĖJIMAS: Venkite disko atšokimų ir užkliuvimų, ypač kai apdorojate kampus, aštirus kraštus ir pan. Dėl to galima nesuvaldyti įrankio ir jis gali atšokti.

⚠️ JSPĖJIMAS: NIEKADA nenaudokite įrankio su medžio pjovimo ašmenimis ir kitomis pjūklų geležtėmis. Tokius ašmenis naudojant su šlifotuovu dažnai įvyksta atatranka, dėl kurios įrankis tampa nevaldomas ir gali sužeisti žmogų.

⚠️ JSPĖJIMAS: Toliau naudojant nusidėvėjusį diską, diskas gali sprogti ir rimtai sužaloti.

⚠️ PERSPĖJIMAS: NIEKADA nejunkite įrankio, kai jis liečiasi su ruošiniu, kadangi galite susižeisti.

⚠️ PERSPĖJIMAS: Dirbdami visuomet dėvėkite apsauginius akinius arba veido skydelį.

⚠️ PERSPĖJIMAS: Panaudoję įrankį visuomet jį išjunkite ir prieš padėdami įrankį palaukite, kol diskas visiškai sustos.

⚠️ PERSPĖJIMAS: VISUOMET laikykite įrankį tvirtai, vieną ranką uždėję ant korpuso, o kitą – ant šoninės rankenos.

PASTABA: Šlifavimo ir nupjovimo operacijoms atlikti galima naudoti dvejopos paskirties diską.

Žr. „Darbas su disku“, kur aprašomas šlifavimas, ir žr. „Šlifuojamojo pjovimo disko / deimantinio disko naudojimas“, kur aprašomas nupjovimas.

Darbas su ratuku / disku

► Pav.28

Įjunkite įrankį ir tada disku apdirbkite ruošinį.

Laikykite disko kraštą pakreiptą apie 15° laipsnių kampą į ruošinio paviršių.

Naudojant apšilimo laikotarpį nedirbkite šlifuoekliu pakreipimo į priekį kryptimi, kadangi jis gali įpjauti ruošinį. Kai disko kraštą naudojant suapvalėja, disku galima dirbti kryptimis į priekį ir atgal.

Šlifuojamojo pjovimo disko / deimantinio disko naudojimas

Pasirenkamas priedas

⚠️ JSPĖJIMAS: Nespauskite disko ir nenaudokite pernelyg didelio slėgio. Nemėginkite atlikti pernelyg gilių pjūvių. Pernelyg spaudžiant diską, padidėja apkrova ir tikimybė, kad diskas persikreips arba įstrigs pjūvyje; taip pat atsiranda atatrankos, disko lūžimo ir variklio perkaitimo galimybė.

⚠️ JSPĖJIMAS: Nepradėkite pjauti atrėmę diską į ruošinį. Palaukite, kol diskas ims sukis visu greičiu, ir atsargiai nuleiskite jį į pjūvį, stumdami įrankį pirmyn ruošinio paviršiumi. Jeigu elektrinį įrankį paleisite ruošinyje, diskas gali įstrigti, pasislinkti arba atšokti.

⚠️ JSPĖJIMAS: Pjaudami niekada nekeiskite disko kampo. Spaudžiant pjovimo diską iš šono (pvz., šlifuojant), diskas gali įtrūkti ar sulūžti, sukeldamas pavojų susižeisti.

⚠️ JSPĖJIMAS: Deimantinį diską reikia naudoti tik nukreipus jį statmenai pjaunamai medžiagai.

Naudojimo pavyzdys: darbas šlifuojamuoju nupjovimo disku

► Pav.29

Naudojimo pavyzdys: darbas deimantiniu disku

► Pav.30

Vielinio, taurelės formos šepetėlio naudojimas

Pasirenkamas priedas

⚠ PERSPĖJIMAS: Patikrinkite, kaip veikia šepetėlis, paleidę įrankį veikti be apkrovų ir įsitikinę, kad niekas nestovi priešais arba vienoje linijoje su šepetėliu.

Naudojimo pavyzdys: vielinio šepetėlio naudojimas
► Pav.31

PASTABA: Nespauskite pernelyg stipriai, kadangi naudojant šepetėlį gali sulinkti šereliai. Šepetėlis gali sulūžti pirma laiko.

Vielinio, disko formos šepetėlio naudojimas

Pasirenkamas priedas

⚠ PERSPĖJIMAS: Patikrinkite, kaip veikia vielinis, disko formos šepetėlis, paleidę įrankį veikti be apkrovų ir įsitikinę, kad niekas nestovi priešais arba vienoje linijoje su vieliniu, disko formos šepetėliu.

Naudojimo pavyzdys: darbas vieliniu disko formos šepetėliu
► Pav.32

PASTABA: Nespauskite pernelyg stipriai, kadangi naudojant vielinį disko formos šepetėlį gali sulinkti šereliai. Šepetėlis gali sulūžti pirma laiko.

Tuščiavidurio grąžto naudojimas

Pasirenkamas priedas

⚠ PERSPĖJIMAS: Patikrinkite, kaip veikia tuščiaaviduris grąžtas, paleidę įrankį veikti be apkrovos, ir užtikrinkite, kad niekas nestovėtų priešais tuščiaavidurį grąžtą.

PASTABA: Darbo metu nepakreipkite įrankio. Kitaip jis gali sulūžti pirma laiko.

Naudojimo pavyzdys: tuščiaavidurio grąžto naudojimas
► Pav.33

TECHNINĖ PRIEŽIŪRA

⚠ PERSPĖJIMAS: Prieš pradėdami įrankio tikrinimo arba techninės priežiūros darbus, visuomet būtinai išjunkite įrankį ir atjunkite jį nuo maitinimo tinklo.

PASTABA: Niekada nenaudokite gazolino, benzino, tirpiklio, spirito arba panašių medžiagų. Gali atsirasti išblukimų, deformacijų arba įtrūkimų.

Kad gaminys būtų SAUGUS ir PATIKIMAS, jį taisyti, apžiūrėti ar vykdyti bet kokią kitą priežiūrą ar derinimą turi įgaliotasis kompanijos „Makita“ techninės priežiūros centras; reikia naudoti tik kompanijos „Makita“ pagamintas atsargines dalis.

Oro ventiliacijos angų valymas

Pržiūrėkite, kad įrankis ir jo oro angos būtų švarios. Reguliariai išvalykite įrankio oro angas arba tada, kai jos užsikemša.

► Pav.34: 1. Oro išleidimo anga 2. Oro įleidimo anga

NAUDOJIMO SRIČIŲ IR PRIEDŲ DERINYS

Pasirenkamasis priedas

- ▲ PERSPĖJIMAS:** Naudojant įrankį su netinkamais apsaugais, gali kilti toliau nurodytų pavojų.
- Naudojant nupjovimo disko apsaugą paviršinio šlifavimo darbams vykdyti, disko apsaugas gali liestis su ruošiniu ir prastinti kontrolę.
 - Naudojant šlifavimo disko apsaugą nupjovimo klijuotais šlifuojamaisiais diskais ir deimantiniais diskais darbams vykdyti, didėja besisukančių diskų poveikio, kibirkščių ir dalelių rizika, pvz., diskui lūžus ir išskriejus jo fragmentu.
 - Naudojant nupjovimo disko apsaugą arba šlifavimo disko apsaugą paviršiaus apdorojimo taurelės tipo deimantiniais diskais darbams vykdyti, disko apsaugas gali liestis su ruošiniu ir prastinti kontrolę.
 - Naudojant nupjovimo disko apsaugą arba šlifavimo disko apsaugą su disko tipo vieliniu šepetėliu, kurio storis didesnis nei didžiausias storis, nurodytas skirsnyje SPECIFIKACIJOS, vielutės gali užsikabinti už apsaugo ir nutrūkti.
 - Naudojant dulkes renkantį disko apsaugą betono arba mūro nupjovimo ir paviršiaus apdorojimo operacijoms vykdyti, mažėja dulkių poveikis.
 - Naudojant dvejopos paskirties (šlifavimo ir šlifuojamojo nupjovimo) ant jungės montuojamus diskus, galima naudoti tik nupjovimo disko apsaugą.

► Pav.35

Tik modeliui GA4590 / GA4592 / GA5090 / GA5092

-	Naudojimo režimas	115 mm modelis	125 mm modelis
1	-	Šoninė rankena	
2	-	Disko apsaugas (šlifavimo diskui)	
3	-	Vidinė jungė / „Super“ jungė *1*2	
4	Šlifavimas / šlifavimas švitriniais popieriumi	Diskas įspaustu centru / Ziedlapinis diskas	
5	-	Fiksavimo veržlė	
6	-	„Ezynut“ *1*2	
7	-	Atraminis padas	
8	Šlifavimas / šlifavimas švitriniais popieriumi	Lankstusis diskas	
9	-	Guminis padas 100	Guminis padas 115
10	Šlifavimas švitriniais popieriumi	Abrazyvinis diskas	
11	-	Šlifavimo priedo fiksuojamoji veržlė	
12	Apdorojimas vieliniu šepetėliu	Vielinis disko formos šepetėlis	
13	Apdorojimas vieliniu šepetėliu	Vielinis taurelės formos šepetėlis	
14	Gręžimas	Tuščiaaviduris gražtas	
15	-	Disko apsaugas (nupjovimo diskui)	
16	Nupjovimas	Šlifuojamasis pjovimo diskas / deimantinis diskas	
17	Šlifavimas / nupjovimas	Dvejopos paskirties diskas	
18	-	Užspaudžiamasis pjovimo disko apsaugo priedas *3	
19	-	Dulkes renkančio disko apsaugas nupjovimo operacijai atlikti	
20	Nupjovimas	Deimantinis diskas	
21	-	Dulkes renkantis disko apsaugas šlifavimo operacijai atlikti	
22	Šlifavimas	Taurelės tipo deimantinis diskas	
-	-	Fiksavimo veržlės raktas	
-	-	Dulkių dangčio priedas	

-	Naudojimo režimas	115 mm modelis	125 mm modelis
1	-	Šoninė rankena	
2	-	Disko apsaugas (šlifavimo diskui)	
3	-	Vidinė jungė	
4	Šlifavimas / šlifavimas švitrinui popieriumi	Diskas įspaustu centru / žiedlapinis diskas	
5	-	Fiksavimo veržlė	
6	-	„Ezynut“ *1*2	
7	-	Atraminis padas	
8	Šlifavimas / šlifavimas švitrinui popieriumi	Lankstusis diskas	
9	-	Guminis padas 100	Guminis padas 115
10	Šlifavimas švitrinui popieriumi	Abrazyvinis diskas	
11	-	Šlifavimo priedo fiksuojamoji veržlė	
12	Apdorojimas vieliniu šepetėliu	Vielinis disko formos šepetėlis	
13	Apdorojimas vieliniu šepetėliu	Vielinis taurelės formos šepetėlis	
14	Gręžimas	Tuščiaaviduris gražtas	
15	-	Disko apsaugas (nupjovimo diskui)	
16	Nupjovimas	Šlifuojamasis pjovimo diskas / deimantinis diskas	
17	Šlifavimas / nupjovimas	Dvejos paskirties diskas	
18	-	Užspaudžiamasis pjovimo disko apsaugo priedas *3	
19	-	Dulkes renkančio disko apsaugas nupjovimo operacijai atlikti	
20	Nupjovimas	Deimantinis diskas	
21	-	Dulkes renkantis disko apsaugas šlifavimo operacijai atlikti	
22	Šlifavimas	Taurelės tipo deimantinis diskas	
-	-	Fiksavimo veržlės raktas	
-	-	Dulkių dangčio priedas	

PASTABA: *1 Nenaudokite „Super“ jungės kartu su „Ezynut“.

PASTABA: *2 Tik įrankiams su M14 suklio sriegiu.

PASTABA: *3 Kai kuriose valstybėse pjovimo disko apsaugo priedas nesiūlomas. Išsamiau skaitykite užspaudžiamo pjovimo disko apsaugo priedo naudojimo instrukcijoje.

PASTABA: Nenaudokite „Super“ jungės su šlifukoiliu, kuriame įdiegta stabdymo funkcija.

PASIRENKAMI PRIEDAI

⚠ PERSPĖJIMAS: Šiuos papildomus priedus arba įtaisus rekomenduojama naudoti su šioje instrukcijoje nurodytu „Makita“ bendrovės įrankiu. Naudojant bet kokius kitus papildomus priedus arba įtaisus, gali kilti pavojus sužeisti žmones. Naudokite tik nurodytam tikslui skirtus papildomus priedus arba įtaisus.

Jeigu norite daugiau sužinoti apie tuos priedus, kreipkitės į artimiausią „Makita“ techninės priežiūros centrą.

- Priedai, pateikti sk. NAUDOJIMO SRIČIŲ IR PRIEDŲ DERINYS

PASTABA: Kai kurie sąrašė esantys priedai gali būti pateikti įrankio pakuotėje kaip standartiniai priedai. Jie įvairiose šalyse gali skirtis.






TEHNILISED ANDMED

Mudel:		GA4590	GA4591	GA4592	GA5090	GA5091	GA5092
Sobiv lihvketas	Max ketta läbimõõt	115 mm			125 mm		
	Max ketta paksus	7,2 mm					
Sobiv lõikeketas	Max ketta läbimõõt	115 mm			125 mm		
	Max ketta paksus	3,2 mm					
Sobiv ketastraathari	Max ketta läbimõõt	115 mm			125 mm		
	Max ketta paksus	20 mm					
Võlli keere	M14 või 5/8" (sõltub riigist)						
Max võllipikkus	23 mm						
Koormuseta kiirus (n_0) / nimipöörlemiskiirus (n)	11 500 min ⁻¹						
Üldpikkus	326 mm	349 mm	326 mm	349 mm	326 mm		
Netokaal	2,6 – 3,8 kg	2,8 – 4,0 kg	2,6 – 3,8 kg	2,8 – 4,0 kg	2,6 – 3,8 kg	2,8 – 4,0 kg	2,6 – 3,8 kg
Ohutusklass	□/II						

- Meie pideva uuringu- ja arendusprogrammi tõttu võidakse tehnilisi andmeid muuta ilma sellest ette teatamata.
- Tehnilised andmed võivad riigiti erineda.
- Kaal võib erineda olenevalt lisaseadis(t)est. Kergeim ja raskeim kombinatsioon EPTA-protseduuri 01/2014 kohaselt on toodud tabelis.

Sümbolid

Alljärgnevalt kirjeldatakse tingimärke, mida võidakse seadmetel kasutada. Enne seadme kasutamist tehke endale selgeks nende tähendus.

	Lugege juhendit.
	Kandke kaitseprille.
	Kasutage töötamisel alati kaht kätt.
	Ärge kasutage kettakaitset lõikamiseks.
	TOPELTISOLATSIOON



Ainult EL-i riikide puhul
Seadmes sisalduvate ohtlike osade tõttu võivad kasutatud elektri- ja elektroonikaseadmed avaldada negatiivset mõju keskkonnale ja inimeste tervisele.
Elektri- ja elektroonikaseadmeid ei tohi kõrvaldada koos olmejäätmetega!
Euroopa elektri- ja elektroonikaseadmete jäätmete direktiiv ja riiklikku õigusesse ülevõtmise kohaselt tuleb kasutatud elektri- ja elektroonikaseadmed koguda eraldi ning viia eraldiseisvasse olmejäätmete kogumispunkti, mis tegutseb kooskõlas keskkonnakaitse eeskirjadega.
Sellele osutab seadmele paigaldatud läbikriipsutatud ratastega prügikasti sümbol.

Kavandatud kasutus

Tööriist on ette nähtud metallide ja kivimaterjali veeta käiamiseks, lihvimiseks, traatharjamiseks, avade lõikamiseks ja lõikamiseks.

Vooluvarustus

Seadet võib ühendada ainult andmesildil näidatud pingega vooluvõrku ning seda saab kasutada ainult ühefaasilisel vahelduvvoolutoitel. Seadmel on kahekordne isolatsioon ning seega võib seda kasutada ka ilma maandusjuhtmeta pistikupespa ühendatult.

Müra

Tüüpiline A-korrigeeritud müratase, määratud standardi EN62841-2-3 kohaselt:

Mudel	Helirõhutase (L_{pA}): (dB(A))	Helivõimsuse tase (L_{WA}): (dB(A))	Määramatus (K): (dB(A))
GA4590	93	101	3
GA4591	90	98	3
GA4592	93	101	3
GA5090	93	101	3
GA5091	90	98	3
GA5092	93	101	3

MÄRKUS: Deklareeritud müra väärtust (väärtuseid) on mõdetud kooskõlas standardse katsemeetodiga ning seda võib kasutada ühe seadme võrdlemiseks teisega.

MÄRKUS: Deklareeritud müra väärtust (väärtuseid) võib kasutada ka mürataseme esmaseks hindamiseks.

⚠HOIATUS: Kasutage kõrvakaitsmeid.

⚠HOIATUS: Müratase võib elektritööriista tegelikkuses kasutamise ajal erineda deklareeritud väärtust(t) est olenevalt tööriista kasutusviisidest ja eriti töödeldavast toorikust.

⚠HOIATUS: Rakendage operaatori kaitsmiseks kindlasti piisavaid ohutusabinõusid, mis põhinevad hinnangulisel müratasemel tegelikus tööolukorras (võttes arvesse tööperioodi kõiki osasid, näiteks korrad, kui seade lülitatakse välja ja seade töötab tühikäigul, lisaks tööajale).

⚠HOIATUS: Õhukese pleki või muude suurepinnaliste kergesti vibreerivate struktuuride lihvimine võib tekitada palju kõrgemat mürataset (kuni 15 dB) kui deklareeritud müraemissiooni väärtused.

Pange nendele töödeldavatele detailidele rasked painduvad summutusmatid või muu sarnane vahend müraemissiooni vähendamiseks.

Võtke suuremat mürataset arvesse nii müraga kokkupuute riski hindamisel kui ka sobiva kuulmiskaitsevahendi valimisel.

Vibratsioon

Vibratsiooni koguväärtus (kolmeteljeliste vektorite summa) määratud standardi EN62841-2-3 kohaselt:

Töörežiim: pinna lihvimine tavalise külgakäepideme kasutamisega

Mudel	Vibratsioonitase ($a_{h, AG}$): (m/s ²)	Määramatus (K): (m/s ²)
GA4590	4,7	1,5
GA4591	5,4	1,5
GA4592	4,7	1,5
GA5090	7,9	1,5
GA5091	7,4	1,5
GA5092	7,9	1,5

Töörežiim: pinna lihvimine vibratsioonikindla külgakäepideme kasutamisega

Mudel	Vibratsioonitase ($a_{h, AG}$): (m/s ²)	Määramatus (K): (m/s ²)
GA4590	4,9	1,5
GA4591	5,2	1,5
GA4592	4,9	1,5
GA5090	8,8	1,5
GA5091	8,7	1,5
GA5092	8,8	1,5

Töörežiim: ketaslihvimine tavalise külgkäepideme kasutamisega

Mudel	Vibratsiooniemissioon ($a_{h, D5}$): (m/s ²)	Määramatus (K): (m/s ²)
GA4590	3,6	1,5
GA4591	3,2	1,5
GA4592	3,6	1,5
GA5090	2,7	1,5
GA5091	2,7	1,5
GA5092	2,7	1,5

Töörežiim: ketaslihvimine vibratsioonikindla külgkäepideme kasutamisega

Mudel	Vibratsiooniemissioon ($a_{h, D5}$): (m/s ²)	Määramatus (K): (m/s ²)
GA4590	3,5	1,5
GA4591	2,9	1,5
GA4592	3,5	1,5
GA5090	2,8	1,5
GA5091	3,0	1,5
GA5092	2,8	1,5

MÄRKUS: Deklareeritud vibratsiooni koguväärtust (-väärtuseid) on mõõdetud kooskõlas standardse katsemeetodiga ning seda võib kasutada ühe seadme võrdlemiseks teisega.

MÄRKUS: Deklareeritud vibratsiooni koguväärtust (-väärtuseid) võib kasutada ka mürataseme esmaseks hindamiseks.

⚠️HOIATUS: Vibratsioonitase võib elektritööriista tegelikus kasutamise ajal erineda deklareeritud väärtus(t)est olenevalt tööriista kasutusviisidest ja eriti töödeldavast toorikust.

⚠️HOIATUS: Rakendage operaatori kaitsmiseks kindlasti piisavaid ohutusabinõusid, mis põhinevad hinnangulisel müratasemel tegelikus tööolukorras (võttes arvesse tööperioodi kõiki osasid, näiteks korrad, kui seade lülitatakse välja ja seade töötab tühikäigul, lisaks tööajale).

⚠️HOIATUS: Deklareeritud vibratsiooni väärtust kasutatakse elektritööriista peamisest otstarbest lähtudes. Kui tööriista kasutatakse muul otstarbel, võib vibratsiooni väärtus olla erinev.

EÜ vastavusdeklaratsioon

Ainult Euroopa riikide puhul

EÜ vastavusdeklaratsioon sisaldub käesoleva juhendi Lisas A.

OHUTUSHOIATUSED

Üldised elektritööriistade ohutushoiatused

⚠️HOIATUS: Lugege läbi kõik selle elektritööriistaga kaasas olevad ohutushoiatused, juhised, joonised ja tehnilised andmed. Järgnevate juhiste eiramine võib põhjustada elektrilöögi, süttimise ja/või raske kehavigastuse.

Hoidke edaspidisteks viide- teks alles kõik hoiatused ja juhtnöörid.

Hoiatuses kasutatud termini „elektritööriist“ all peetakse silmas elektriga töötavaid (juhtmega) elektritööriistu või akuga töötavaid (juhtmeta) elektritööriistu.

Lihvija ohutushoiatused

Käimise, lihvimise, traatharjamise või lõikamise ohutushoiatused

- See elektritööriist on mõeldud kasutamiseks käia, lihvija, traatharja, avalõikuri või lõiketööriistana. Lugege läbi kõik selle elektritööriistaga kaasas olevad ohutushoiatused, juhised, illustatsioonid ja tehnilised andmed.** Alljärgnevate juhiste eiramine võib põhjustada elektrilöögi, süttimise ja/või raske kehavigastuse.
- Selle elektritööriistaga ei tohi poleerida.** Elektritööriistaga mitteettenähtud tööde tegemine võib tekitada ohtliku olukorra ja põhjustada kehavigastusi.
- Ärge modifitseerige seda elektritööriista nii, et seda saaks kasutada töödeks, mille jaoks tööriista tootja pole seda projekteerinud ja ette näinud.** Selline modifitseerimine võib kaasa tuua juhitavuse kaotuse ja rasked kehavigastused.
- Ärge kasutage tarvikuid, mida tööriista tootja ei ole spetsiaalselt selle tööriista jaoks projekteerinud ja ette näinud.** Asjaolu, et tarviku saab elektritööriista külge kinnitada, ei taga ohutut töötamist.
- Tarviku nimikiirus peab olema vähemalt sama suur kui elektritööriistale märgitud maksimumkiirus.** Tarvikud, mis töötavad nimikiirusest suuremal kiirusel, võivad katki minna ja laiali paiskuda.

6. **Tarviku välisdiameeter ja paksus peavad jääma teie elektritööriista jaoks ettenähtud parameetrite nimidandmete vahemikku.** Valedes mõõtudega tarvikud ei ole tööriistas nõuetekohaselt kaitsitud ega juhitud.
7. **Tarvikukinnituse mõõtmed peavad vastama elektritööriista kinnituste mõõtmetele.** Elektritööriista kinnitustega mittesobivad tarvikud lähevad tasakaalust välja, vibreerivad tugevalt ja võivad põhjustada juhitavuse kaotust.
8. **Ärge kasutage kahjustunud tarvikut.** Enne iga kasutamist kontrollige, ega tarvikul, näiteks abrasiivketal pole laaste või mõrasid, tugiatalal mõrasid, rebendeid ega liigset kulumist, traatharjal lahtiseid või purunenud traate. Kui elektritööriist või tarvik kukub maha, kontrollige nende kahjustusi või paigaldage ilma kahjustusteta tarvik. Pärast tarviku kontrollimist ja paigaldamist peate nii teie kui ka kõrvalseisvad isikud hoidma pöörleva tarviku tasapinnast eemale. Seejärel laske elektritööriistal ühe minuti vältel ilma koormuseta täiskiirusel töötada. Kahjustunud tarvikud purunevad tavaliselt selle katseaja jooksul.
9. **Kandke isikukaitsevahendeid.** Kandke olevalt kasutusest näokaitset, kaitseprille või prille. Vajaduse korral kandke tolmu maski, kõrvaklappe, kindaid ja põlde, mis suudab kaitsta väikeste abrasiivosakeste või töödeldava detaili kildude eest. Silmade kaitsevahend peab kaitsma eri kasutuste käigus tekkivate lenduvate jäätmete eest. Tolmu mask või respiraator peavad suutma filtreerida kindla kasutuse käigus tekkivaid osakesi. Pikaajaline kokkupuude suure müraga võib põhjustada kuulmislangust.
10. **Hoidke kõrvalseisjad tööpiirkonnast ohutuskauguses.** Kõik, kes sisenevad tööpiirkonda, peavad kandma isikukaitsevahendeid. Töödeldava detaili või purunenud tarviku osakesed võivad eemale paiskuda ja põhjustada vigastusi ka väljaspool vahetut tööpiirkonda.
11. **Hoidke elektritööriista üksnes isoleeritud haardepindadest, kui töotate kohas, kus löiketarvik võib sattuda kokkupuutesse varjatud juhtmete või seadme enda toitejuhtmega.** Voolu all oleva juhtmega kokkupuutesse sattunud löiketarvik võib pingestada elektritööriista metallosi ning põhjustada kasutajale elektrilöögi.
12. **Hoidke juhe pöörlevast tarvikust eemal.** Juhitavuse kaotamisel võib juhe katkeda või kinni jääda ning teie käsi või käsivars võib pöörlevasse tarvikusse jääda.
13. **Ärge pange elektritööriista maha enne, kui tarvik liikumine pole täielikult peatunud.** Pöörlev tarvik võib pinnal liikumist jätkata ja elektritööriist kaotada juhitavuse.
14. **Ärge laske elektritööriista seda käes kandes töötada.** Juhuslik kokkupuude pöörleva tarvikuga võib põhjustada riiete kinnijäämist ja tarviku kehasse tõmmata.
15. **Puhastage elektritööriista õhuavasid regulaarselt.** Mootori ventilaator tõmbab tolmu korpusesse ja metallitolmu liigne kogunemine võib põhjustada elektriõhku.
16. **Ärge kasutage elektritööriista toolehtlike materjalide lähedal.** Need materjalid võivad sädemetest süttida.
17. **Ärge kasutage tarvikuid, mis nõuavad jahutusvedelikke.** Vee või teiste vedelate jahutusvahendite kasutamine võib põhjustada surmava elektrilöögi või elektrišoki.

Tagasilöökk ja sellega seotud hoiatused

Tagasilöökk on pöörleva ketta, tugiatala, harjase või muu tarviku kinnikiilumisel või takerdumisel tekkinud järsk reaktsioon. Kinnikiilumine või takerdumine põhjustab pöörleva lisatarviku kiire peatumise, mis omakorda sunnib juhitamatut elektritööriista pöörlema kinnijäämispunkti lisatarviku pöörlemise suunale vastassuunas. Näiteks kui abrasiivketas kiilub või takerdub töödeldavasse detaili, võib kinnikiilumiskohta sisenedud ketta serv materjali pinda tungida, mille tagajärjel ketas hüppab välja või põhjustab tagasilöögi. Lõikeketas võib hüpata kasutaja poole või kasutajat eemale olenevalt ketta liikumissuunast kinnikiilumiskohas. Abrasiivkettad võivad sellistes olukordades ka murduda. Tagasilöökk tekib elektritööriista väärkasutamisel ja/või mittevastava tööprotseduuri või -tingimuste korral ning on vältidav, kui rakendate alljärgnevalt esitatud ettevaatusabinõusid.

1. **Hoidke elektritööriista mõlema käega tugevasti kinni ning seadke keha ja käed sellisesse asendisse, mis võimaldab tagasilöögi juures vastu panna.** Kasutage alati abikäepidet, kui see on olemas, et äärmiselt tagasilöögi ja pöördemomendi reaktsiooni maksimaalselt kontrolli all hoida. Asjakohaste ettevaatusabinõude rakendamisel saab kasutaja pöördemomendi ja tagasilöögi jõudu kontrolli all hoida.
2. **Ärge pange kunagi oma kätt pöörleva tarviku lähedale.** Tarvik võib üle käe tagasi lüüa.
3. **Ärge viige keha asendisse, kus see jääb elektritööriista tagasilöögi piirkonda.** Tagasilöögi tõttu liigub tööriist kinnikiilumiskohas ketta liikumissuunale vastupidises suunas.
4. **Olge nurkades, teravate servade juures jne eriti ettevaatlik.** Vältige tarviku pörkimist ja kinnikiilumist. Nurgad, teravad servad ja pörkimine kipuvad põhjustama pöörleva tarviku kinnijäämist, juhitavuse kaotamist ja tagasilööki.
5. **Ärge kinnitage tööriista külge saeketti, puuni-kerdustera, segmenteeritud teemantketast, mille servasündivate laius on suurem kui 10 mm, ega hambulist saetera.** Sellised terad põhjustavad sagedast tagasilööki ja juhitavuse kaotust.

Lihvimis- ja lõikamisvahendite ohutushoiatused

1. **Kasutage vaid kettatüüpe, mis on teie elektritööriistale ette nähtud, ja valitud kettale mõeldud spetsiaalset kaitset.** Kettaid, mille jaoks elektritööriist pole mõeldud, ei saa asjakohaselt kaitsta ja need ei ole ohutud.
2. **Õhema keskosaga lihvketaste lihvpind peab jääma kaitsepiirde tasapinnast allapoole.** Kui ketas on valesti paigaldatud ja ulatub kaitsepiirde tasapinnast välja, ei ole võimalik seda piisavalt kaitsta.
3. **Kaitse peab olema elektritööriista külge turvaliselt kinnitatud ja asetatud maksimaalselt turvaliselt – et kasutaja suunas oleks kõige väiksem katmata kettapind.** Kaitse aitab kaitsta kasutajat purunenud kettatükkide, kettaga juhusliku kokkupuutesse sattumise ja rõivaid süüdata võivate sädemete eest.
4. **Kettaid tohib kasutada ainult ettenähtud otstarbel.** Näiteks ärge kasutage lõikeketta külge lihvimiseks. Abrasiivlõikekettad on ette nähtud äärepindade lihvimiseks, nende ketastele rakendatavad külgjõud võivad ketta purustada.

5. **Kasutage ainult terveid kettaäärikuid, mis on valitud ketta jaoks sobiva suuruse ja kujuga.** Sobivad kettaäärikud toestavad kettast, vähendades ketta purunemise ohtu. Lõikeketaste äärikud võivad lihvketaste äärikutest erineda.
6. **Ärge kasutage suuremate elektritööriistade kulunud kettaid.** Suurema elektritööriista jaoks mõeldud ketas ei sobi väiksema tööriista suurema kiirusega ja võib puruneda.
7. **Kaheetstarbeliste kettaste kasutamisel kasutage alati tehtava töö jaoks sobivat kaitset.** Vale kaitsme kasutamine ei pruugi anda soovitud kaitsetaset ning see võib põhjustada raskeid vigastusi.

Lõikeoperatsioonide lisaohutushoiatused

1. **Ärge „kiiluge“ lõikeketast ega rakendage liigset survet. Ärge püüdke teha liiga sügavat lõiget.** Ketta ülepingestamine suurendab ketta koormust ja vastuvõtlikkust väändumisele või lõikes kinnijäämisele ning tagasilöögi esinemise või ketta purunemise võimalust.
2. **Ärge viige oma keha pöörleva kettaga ühele joonele ega ketta taha.** Kui ketas liigub kasutamise ajal teie kehast eemale, võib võimalik tagasilöök pöördkettast ja elektritööriista otse teie poole liigutada.
3. **Kui ketas on kinni jäänud või lõikamine mingil põhjusel katkestatakse, lülitage elektritööriist välja ja hoidke seda liikumatult kuni ketta täieliku seiskumiseni. Ärge kunagi püüdke eemaldada lõikeketast lõikest, kui ketas liigub, sest muidu võib tekkida tagasilöök.** Selgitage välja ketta kinnijäämise põhjus ja võtke tarvitusele meetmed põhjuse kõrvaldamiseks.
4. **Ärge taaskäivitage lõikeoperatsiooni, kui ketas on töödeldavas detailis. Laske kettal saavutada täiskiirus ja sisenege seejärel uuesti ettevaatlikult lõikesse.** Kui elektritööriist taaskäivitatakse töödeldavas detailis, võib ketas kinni jääda, ülespoole liikuda või põhjustada tagasilöögi.
5. **Ketta kinnikiilumise ja tagasilöögi riski vähendamiseks toestage paneelid või suuremõtmeline töödeldav detail.** Suured töödeldavad detailid kipuvad oma raskuse all rippu vajuma. Toed tuleb paigutada töödeldava detaili alla lõikejoone ja töödeldava detaili serva lähedale ketta mõlemale küljele.
6. **Olge eriti ettevaatlik, kui lõikate „taskuid“ olemasolevasse seintesse või muudesse kaetud kohtadesse.** Esileulatuv ketas võib lõigata gaasi- või veetorusid, elektrijuhtmeid ja esemeid, mis võivad põhjustada tagasilööki.
7. **Ärge püüdke teha kõveraid lõikeid.** Ketta ülepingestamine suurendab ketta koormust ja vastuvõtlikkust väändumisele või lõikes kinnijäämisele ning tagasilöögi esinemise või ketta purunemise võimalikkust, mis võivad põhjustada raskeid vigastusi.
8. **Enne segmentidega servaga teemantketta kasutamist veenduge, et teemantketta serva segmentide vahe oleks 10 mm või vähem ning et tegemist oleks kindlasti lõiketera negatiivse esinurgaga.**

Lihvimise ohutushoiatused

1. **Kasutage sobiva suurusega lihvketapaberit. Lihvpaberi valikul järgige tootjate soovitusi.** Lihvtallast liiga palju kaugemale ulatuv suurem lihvpaper on rebenemisohtlik ja võib põhjustada ketta kinnijäämist, purunemist või tagasilööki.

Traatharjamise ohutushoiatused

1. **Arvestage, et hari viskab traatharjaseid ka tavakäituse ajal. Ärge avaldage terastraatidele liigset pinget harjale liigse koormuse rakendamisega.** Traatharjased võivad lihtsalt kergesse rõivastusse ja/või nahka tungida.
2. **Kui traatharjamisel soovitakse kasutada kaitset, ärge laske traatkettal ega -harjal kaitsmega kokku puutuda.** Traatketas või -hari võib laieneda läbimõeldud töökoormuse ja tsentrifugaaljõu tõttu.

Lisaturvahoiatused:

1. **Kui kasutate nõgusa keskosaga lihvketaid, veenduge, et kasutate ainult klaaskiuga tugevdatud kettaid.**
2. **ÄRGE KUNAGI kasutage selle lihvijaga koos kausslihvkettaid.** Seda lihvijat ei kasutata koos nimetatud ketastega, sest need võivad põhjustada tõsise kehavigastuse.
3. **Ärge vigastage võlli, äärikut (eriti selle paigalduspinda) ega fiksaatormutrit. Nende osade kahjustused võivad põhjustada ketta purunemise.**
4. **Veenduge, et lihvketas ei puutuks enne tööriista sisselülitamist vastu töödeldavat detaili.**
5. **Enne tööriista kasutamist tegelikus töökeskkonnas laske sellel mõni aeg koormuseta töötada. Jälgige vibratsiooni või vibamist, mis võib tähendada ebaõiget paigaldust või halvasti tasakaalustatud kettast.**
6. **Lihvige selleks ette nähtud kettapinna osaga.**
7. **Ärge jätke tööriista käima. Käivitage tööriist ainult siis, kui hoiate seda käes.**
8. **Ärge puutuge töödeldavat detaili vahetult pärast töötlemist; see võib olla väga kuum ja põhjustada põletushaavu.**
9. **Ärge puutuge tarvikuid vahetult pärast töötlemist; need võivad olla väga kuumad ja põhjustada põletushaavu.**
10. **Ketta õigeks paigaldamiseks ja kasutamiseks järgige valmistaja juhendeid. Käsitsege ja ladustage kettaid hoolikalt.**
11. **Ärge kasutage suureauguliste lihvketaste kinnitamiseks sobituspukse või adaptereid.**
12. **Kasutage ainult äärikuid, mis on mõeldud kasutamiseks selle tööriistaga.**
13. **Tööriistade korral, kus kasutatakse keermestatud auguga kettaid, jälgige, et ketta keermepikkus oleks piisav võlliile kinnitamiseks.**
14. **Kontrollige, kas töödeldav detail on korralikult kinnitatud.**
15. **Pöörake tähelepanu asjaolule, et ketas jätkab pöörlemist ka pärast tööriista väljalülitamist.**
16. **Kui töökoht on äärmiselt kuum ja niiske või tugevalt saastatud elektrit juhtiva tolmuga, siis tuleb operaatori ohutuse tagamiseks kasutada lühisvoolukaitset (30 mA).**
17. **Ärge kasutage tööriista asbesti sisaldavate materjalide töötlemiseks.**

18. Lõikeketta kasutamisel kasutage alati tolmukoguriga kettakaitset, kui kohalikud nõuded seda ette näevad.
19. Lõikekettaid ei tohi külgsuunas suruda.
20. Ärge kasutage töötamise ajal riidest töökindaid. Riidest kinnaste kiud võivad sattuda tööriista sisse ja põhjustada tööriista purunemise.
21. Enne töötamist veenduge, et töödeldavas detailis ei oleks selliseid varjatud esemeid nagu elektri-, vee- või gaasitoru. Nende olemasolu võib põhjustada elektrilööki, elektri- või gaasileket.
22. Kui kettale on paigaldatud vaheseib, ärge eemaldage seda. Vaheseibi läbimõõt peab olema suurem kui fiksaatormutril, välisel äärikul ja sisemisel äärikul.
23. Enne lihvketta paigaldamist kontrollige alati, ega vaheseibil ei esine kõrvalekaldeid, nt murdunud kilde või pragusid.
24. Keerake fiksaatormutter korralikult kinni. Ketta ülepingutamine võib põhjustada purunemist ja ebapiisav pingutamine võib põhjustada laperdamist.

HOIDKE JUHEND ALLES.

⚠HOIATUS: ÄRGE UNUSTAGE järgida toote ohutusnõudeid mugavuse või toote (korduskasutamise ga savutatud) hea tundmise tõttu. VALE KASUTUS või kasutusjuhendi ohutuseeskirjade eiramine võib põhjustada tervisekahjustusi.

FUNKTSIONAALNE KIRJELDUS

⚠ETTEVAATUST: Kandke alati hoolet selle eest, et tööriist oleks enne reguleerimist ja kontrollimist välja lülitatud ja vooluvõrgust lahti ühendatud.

Tööriistakaitseüsteem

Tööriistal on tööriistakaitseüsteem. See süsteem vähendab automaatselt mootori võimsust või lülitab mootori välja, et pikendada tööriista tööiga. Tööriist vähendab automaatselt võimsust või seiskub käitamise ajal järgmistel tingimustel.

Ülekoormuskaitse

Kui tööriist hakkab töö ajal tarbima ebaharilikult palju voolu, vähendab tööriist võimsust automaatselt ilma igasuguse signaalita. Sellises olukorras eemaldage ülekoormuse põhjus, et pöörlemiskiirus taastuks.

Ülekuumenemiskaitse

Sõltub riigist

Kui tööriist on ülekuumenenud, seiskub see automaatselt ja punane märgutuli hakkab vilkuma. Sellises olukorras laske tööriistal maha jahtuda. Tööriista saab uuesti sisse lülitada pärast seda, kui lambi värv muutub punasest roheliseks.

Märgutuli

► Joon.1: 1. Märgutuli

Kui tööriist on vooluvõrku ühendatud, süttib roheline märgutuli.

Kui punane märgutuli vilgub, takistab ülekuumenemiskaitse, aktiivne tagasiside tajumise tehnoloogia või juhusliku käivitumise vältimise funktsioon tööd. Sellises olukorras lülitage tööriist välja. Seejärel lülitage tööriist taaskäivitamiseks uuesti sisse.

Kui pärast tööriista väljalülitamist süttib märgutules punane tuli, on tööriist ülekuumenenud. Sellises olukorras jahutage tööriist maha ja oodake, kuni süttib roheline märgutuli.

Kiiruse regulaatorketas

Ainult mudelil GA4590 / GA4591 / GA5090 / GA5091

⚠ETTEVAATUST: Mootor kuumeneb liialt, kui tööriista kaua aega katkestamatult madalal kiirusel kasutatakse. Tööriista selliselt kasutamine koormab mootori üle.

⚠ETTEVAATUST: Kiiruse regulaatorketast saab keerata ainult kuni 5-ni ja tagasi kuni 1-ni. Ärge keerake ketast jõuga üle 5 või 1, muidu võib kiiruse reguleerimise funktsioon rikki minna.

Pöörlemiskiirust saab muuta, kui keerata kiiruse regulaatorketast numbrivahemikus 1–5. Suurem kiirus saavutatakse ketta keeramisel numbril 5 suunas. Väiksem kiirus saavutatakse ketta keeramisel numbril 1 suunas. Tabelis on toodud ketta skaala numbriliste väärtuste ja ligikaudse pöörlemiskiiruse vaheline suhe.

Number	Nimikiirus
1	2 800 min ⁻¹
2	4 500 min ⁻¹
3	6 500 min ⁻¹
4	8 000 min ⁻¹
5	11 500 min ⁻¹

► Joon.2: 1. Kiiruse regulaatorketas

Võllilukk

⚠HOIATUS: Käivitage võllilukk üksnes siis, kui võll ei liigu. Vastasel juhul võib kaasnedna raske kehavigastus või tööriista kahjustus.

Võlli pöörlemise takistamiseks vajutage võllilukku alati, kui paigaldate või eemaldate tarvikuid.

► Joon.3: 1. Võllilukk

Lüliti funktsioneerimine

⚠ETTEVAATUST: Enne tööriista vooluvõrku ühendamist kontrollige alati, kas liugurlüliti funktsioneerib nõuetekohaselt ja liigub liugurlüliti tagumise osa lahtilaskmisel tagasi asendisse OFF (Välja lülitatud).

⚠ETTEVAATUST: Pikemaajalisel kasutamisel saab operaatore mugavuse huvides lukustada lüliti sisselülitatud asendisse (ON). Tööriista lukustamisel sisselülitatud (ON) asendisse olge ettevaatlik ja hoidke tööriista kindlas haardes.

Tööriista käivitamiseks vajutage liugurlüliti tagaosale ja libistage seda asendi „I“ (sisse lülitatud) poole. Pidevaks töötmiseks vajutage liugurlüliti esiosa alla, et see lukustada.

► **Joon.4:** 1. Liugurlüliti

Tööriista seiskamiseks vajutage liugurlüliti tagaosale et vüa see tagasi asendisse „O“ (välja lülitatud).

► **Joon.5:** 1. Liugurlüliti

Elektrooniline funktsioon

Aktiivne tagasiside tajumise tehnoloogia

⚠ETTEVAATUST: Hoidke tööriista kindlalt, kuni pöörlemine peatub.

Tööriist tuvastab elektrooniliselt olukordi, kus ketast või tarvikut võib ohustada kinnijäämine. Sellises olukorras lülitab tööriist toite automaatselt välja, et vältida völli edasi pöörlemist (see ei hoiä ära tagasilööki). Sellisel juhul vilgub märgutuli punaselt ja näitab, et aktiivne tagasiside tajumise tehnoloogia töötab. Tööriista taaskäivitamiseks lülitage tööriist esmalt välja, kõrvaldage pöörlemiskiiruse ootamatu langemise põhjus ja lülitage tööriist seejärel uuesti sisse.

Juhusliku taaskäivitumise vältimise funktsioon

Kui tööriist ühendatakse vooluvõrku sisselülitatud lülitiga, siis tööriist ei käivitu. Sellisel juhul vilgub punane märgutuli, mis näitab, et juhusliku taaskäivitumise vältimise funktsioon töötab. Tööriista käivitamiseks lülitage lüliti välja ja uuesti sisse.

Püsikiiruse juhtimine

Kuna pöörlemiskiirus hoitakse kooramatud tingimustes pidevalt ühtlane, on tulemuseks tasaselt poleeritud pind.

Sujuvkäivituse funktsioon

Sujuvkäivituse funktsioon vähendab käivituslööki.

Mehhaaniline pidur

Ainult mudelil GA4591 / GA5091

Mehhaaniline pidur aktiveeritakse pärast tööriista väljalülitamist. Kui vooluvarustus katkestatakse, kuid lüliti jääb endiselt sisselülitatud olekusse, siis pidur ei toimi.

KOKKUPANEK

⚠ETTEVAATUST: Enne tööriistal mingite tööde tegemist kandke alati hoolt selle eest, et see oleks välja lülitatud ja vooluvõrgust lahti ühendatud.

Külgkäepideme (käepide) paigaldamine

⚠ETTEVAATUST: Enne tööd kontrollige alati, kas külgkäepide on kindlalt paigaldatud.

Kruvige külgkäepide kindlalt oma kohale, nii nagu joonisel näidatud.

► **Joon.6**

Kettakaitsme paigaldamine või eemaldamine

⚠HOIATUS: Kui kasutate nõgusa keskosaga ketast, lamellketast, painduvat ketast või ketastraatharja, tuleb kettakaitsme paigaldada tööriista külge nii, et kaitsme kinnine külg jääks alati operaatore poole.

⚠HOIATUS: Veenduge, et lukustushoob oleks kettakaitsme turvaliselt lukustanud, lukustades ühe kettakaitsmel oleva augu.

⚠HOIATUS: Kui kasutate lihv-/teemantketast, siis valige kindlasti spetsiaalselt selle löikekettaga kasutamiseks mõeldud kettakaitsme.

Nõgusa keskosaga kettale, lamellkettale, painduvale kettale, ketastraatharjale / löikekettale, teemantkettale

1. Paigaldage kettakaitsme lukustushooba alla vajutades nii, et kettakaitsme klambri eendid oleksid laagriümbrise sälkudega kohakuti.

► **Joon.7:** 1. Lukustushoob 2. Soon 3. Eenduv osa

2. Lükake lukustushooba A suunas ja hoidke samal ajal kettakaitsme osi B all nii, nagu on joonisel näidatud.

► **Joon.8:** 1. Kettakaitsme 2. Ava

MÄRKUS: Suruge kettakaitsme sirgelt alla. Muidu ei ole võimalik kettakaitsmet kinnitada.

3. Vajutage lukustushooba suunas A ja samal ajal pöörake kettakaitsmet suunas C, seejärel muutke kettakaitsme nurka vastavalt tööle, nii et kasutaja oleks kaitstud. Viige lukustushoob kohakuti mõne kettakaitsme avaga ja vabastage seejärel kettakaitsme lukustamiseks lukustushoob.

► **Joon.9:** 1. Kettakaitsme 2. Ava

Kettakaitsme eemaldamiseks järgige paigaldamise protseduuri vastupidises järjekorras.

Klamberkinnitusega löikekettakaitsme

Valikuline tarvik

MÄRKUS: Lõiketöödeks võib kettakaitsmel kasutada klamberkinnitusega löikekettakaitsmet (lihvketta oma). Ei ole mõnes riigis saadaval.

► **Joon.10**

Nõgusa keskosaga ketta või lamellketta paigaldamine või eemaldamine

Valikuline tarvik

⚠️HOIATUS: Kui kasutate nõgusa keskosaga ketast või lamellketast, tuleb kettakaitse paigaldada tööriista külge nii, et kaitse kinnine külg jääks alati operaatori poole.

⚠️HOIATUS: Veenduge, et siseääriku paigaldusosa sobiks suurepäraselt nõgusa keskosaga ketta / lamellketta siseläbimõõduga. Siseääriku paigaldamine valele küljele võib põhjustada ohtlikku vibratsiooni.

Paigaldage siseäärik võllile.

Asetage siseääriku süvendatud pool kindlasti võlli põhjas sirgele osale.

Paigaldage nõgusa keskosaga ketas / lamellketas siseääriku peale ja keerake fiksaatormutter võlli külge.

► **Joon.11:** 1. Fiksaatormutter 2. Nõgusa keskosaga ketas 3. Siseäärik 4. Paigaldusosa

Fiksaatormutri pingutamiseks suruge tugevalt võlli lukustusnuppu nii, et võll ei saaks pöörelda, ning pingutage fiksaatormutrit fiksaatormutri jaoks ettenähtud võtmega päripäeva.

► **Joon.12:** 1. Fiksaatormutri võti 2. Võlliliuk

Ketta eemaldamiseks järgige paigaldamise protseduuri vastupidises järjekorras.

Lõikeketta paigaldamine või eemaldamine

Valikuline tarvik

⚠️HOIATUS: Kasutage alati kaasasolevat kaitset, kui tööriistal on paindud ketas. Kui ketas peaks töötamisel tükikideks purunema, aitab kaitse vigastusi vältida.

► **Joon.13:** 1. Fiksaatormutter 2. Paindud ketas 3. Tugipadi 4. Siseäärik

Järgige nõgusa keskosaga ketta juhiseid, kuid kasutage kettal ka tugitalda.

Lihvketta paigaldamine või eemaldamine

Valikuline tarvik

► **Joon.14:** 1. Lihvimise fiksaatormutter 2. Lihvketas 3. Kummist tugiketas

1. Paigaldage kummist tugiketas võllile.

2. Sobitage ketas kummist tugikettale ja kruvige lihvimise fiksaatormutter võllile.

3. Hoidke võlli koos võlliliukuga ja pingutage lihvimise fiksaatormutrit lukustusmutri mutrivõtmega päripäeva.

Ketta eemaldamiseks tegutsege paigaldamise protseduurile vastupidises järjekorras.

MÄRKUS: Kasutage kasutusjuhendis nimetatud lihvtarvikuid. Need tuleb osta eraldi.

Superäärik

Valikuline tarvik

Ainult mudelil GA4590 / GA4592 / GA5090 / GA5092

Superäärik on eritarvik mudelile, millel EI OLE pidurifunktsiooni.

Fiksaatormutri lahtikeeramiseks kulub tavalise mutriga võrreldes kolm korda vähem vaeva.

Ezynuti paigaldamine või eemaldamine

Valikuline tarvik

Ainult tööriistadele, millel on võlli keere M14.

⚠️ETTEVAATUST: Ärge kasutage Ezynuti koos superäärikuga. Need äärikud on nii paksud, et võll ei suuda kogu keeret hoida.

Paigaldage siseäärik, abrasiivketas ja Ezynut võllile nii, et Makita logo jääks Ezynutil väljapoole.

► **Joon.15:** 1. Ezynut 2. Abrasiivketas 3. Siseäärik 4. Võll

Vajutage tugevasti võllilukule ja kinnitage Ezynut, keerates abrasiivketast päripäeva lõpuni.

► **Joon.16:** 1. Võlliliuk

Ezynuti lahtühendamiseks keerake Ezynuti välisrõngast vastupäeva.

MÄRKUS: Ezynuti saab avada käsitsi, kui nool osutab sälgule. Muidu kasutage avamiseks mutrivõtit. Sisestage mutrivõtme üks sõrm avasse ja pöörake Ezynuti vastupäeva.

► **Joon.17:** 1. Nool 2. Sälk

► **Joon.18**

Lihv-/teemantketta paigaldamine

Valikuline tarvik

⚠️HOIATUS: Kui kasutate lihv-/teemantketast, siis valige kindlasti spetsiaalselt selle lõikekettaga kasutamiseks mõeldud kettakaitse.

⚠️HOIATUS: ÄRGE KUNAGI kasutage lõikeketast külglihvimiseks.

► **Joon.19:** 1. Fiksaatormutter 2. Lihv-/teemantketas 3. Siseäärik 4. Lihv-/teemantketta ketta kaitse

Paigaldamisel järgige nõgusa keskosaga ketast puudutavaid juhtnõure.

Fiksaatormutri ja siseääriku suund monteerimisel sõltub ketta tüübist ja paksusest. Vt järgmisi jooniseid.

Lihvketta paigaldamine:

► **Joon.20:** 1. Fiksaatormutter 2. Lihvketas (õhem kui 4 mm) 3. Lihvketas (4 mm või paksem) 4. Siseäärik

Teemantketta paigaldamine:

► **Joon.21:** 1. Fiksaatormutter 2. Teemantketas (õhem kui 4 mm) 3. Teemantketas (4 mm või paksem) 4. Siseäärik

Traatidega kaussharja paigaldamine

Valikuline tarvik

⚠ETTEVAATUST: Ärge kasutage kahjustatud või balansseerimata harja. Kahjustatud harja kasutamine võib suurendada harja katkiste terasharjaste põhjustatud vigastusohu.

Juurdepääsu hõlbustamiseks võllile pange tööriist tagurpidi. Eemaldage võllilt kõik tarvikud. Paigaldage terashari võllile ja keerake kaasasoleva mutrivõtmega kinni.

► **Joon.22:** 1. Kausshari Terasharjad

Ketastraatharja paigaldamine

Valikuline tarvik

⚠ETTEVAATUST: Ärge kasutage kahjustatud või tasakaalustamata ketastraatharja. Kahjustatud ketastraatharja kasutamine võib suurendada katkiste harjaste põhjustatud vigastusohu.

⚠ETTEVAATUST: Kasutage ketastraatharjadega töötamisel ALATI kaitset, valides ketta diametrile sobiva suuruse. Kui ketas peaks töötamise tükkideks purunema, aitab kaitse vigastusi vältida.

Juurdepääsu hõlbustamiseks võllile pange tööriist tagurpidi. Eemaldage võllilt kõik tarvikud. Keerake ketastraathari võllile ja kinnitage mutrivõtmega.

► **Joon.23:** 1. Ketastraathari

Avalõikuri paigaldamine

Valikuline tarvik

Juurdepääsu hõlbustamiseks võllile pange tööriist tagurpidi. Eemaldage võllil olevad tarvikud. Keerake avalõikur võllile ja pingutage kaasasoleva mutrivõtmega.

► **Joon.24:** 1. Avalõikur

Tolmukoguriga kettakaitsme paigaldamine lihvimiseks

Valikuline tarvik

Lisatarvikute abil saate seda tööriista kasutada betoonpindade lihvimiseks.

⚠ETTEVAATUST: Tolmukoguja kettakaitsme nihkega teemantkettale on mõeldud ainult teemantkettaga betoonlihvijaga kasutamiseks. Ärge kasutage seda ühegi teise lisatarvikuga ega mõneks muuks tegevuseks.

⚠ETTEVAATUST: Enne kasutamist veenduge, et tolmuimeja oleks ühendatud ja sisse lülitatud.

Pange tööriist tagurpidi ja paigaldage tolmukoguriga kettakaitsme. Paigaldage võllile siseäärrik.

Paigaldage kausikujuline teemantketas siseäärrikule ja pingutage fiksaatormutter võllile.

► **Joon.25:** 1. Fiksaatormutter 2. Kausikujuline teemantketas 3. Rummuga kausikujuline teemantketas 4. Siseäärrik 5. Tolmukoguriga kettakaitsme 6. Tugikorpus

MÄRKUS: Tolmukoguriga kettakaitsme paigaldamishetkedel leiate tolmukoguriga kettakaitsme juhendist.

Tolmukoguriga kettakaitsme paigaldamine lõikamiseks

Valikuline tarvik

Lisatarvikutega saab tööriista kasutada kivimaterjalide lõikamiseks.

► **Joon.26**

MÄRKUS: Tolmukoguriga kettakaitsme paigaldamishetkedel leiate tolmukoguriga kettakaitsme juhendist.

Tolmuimeja ühendamine

Valikuline tarvik

⚠HOIATUS: Ärge imege tolmuimejaga metalli, mis on tekkinud käimise, lõikamise või lihvimise tulemusena. Sellise tegevuse tulemusena tekkinud metallosakesed on niivõrd kuumad, et süütavad tolmuimeja sees oleva tolmu ja filtri.

Müüritse lõikamisel tekkida võiva tolmu keskkonna vältimiseks kasutage tolmuemaldusega kettakaitsset ja tolmuimejat.

Kokkupanemist ja kasutamist vaadake kasutusjuhendist, mis on tolmuemaldusega kettakaitsmega kaasas.

► **Joon.27:** 1. Tolmuemaldusega kettakaitsme 2. Tolmuimeja voolik

Tolmukatte mooduli paigaldamine või eemaldamine

Valikuline tarvik

⚠ETTEVAATUST: Kandke alati hoolt selle eest, et tööriist oleks enne tolmukatte mooduli paigaldamist või eemaldamist välja lülitatud ja vooluvõrgust eemaldatud. Muidu võib tagajärjeks olla tööriista kahjustus või kehavigastus.

Paigaldage tolmukatte moodul igasse ettenähtud asendisse.

Täpsemat teavet vt tolmukatte mooduli kasutusjuhendist.

TÄHELEPANU: Puhastage tolmukatte moodul, kui see on tolmu või võõrkehadega ummistunud. Ummistunud tolmuukatte mooduliga töö jätkamine kahjustab tööriista.

TÖÖRIISTA KASUTAMINE

▲HOIATUS: Ärge kasutage tööriista suhtes kunagi jõudu. Tööriista enda raskus annab piisava surve. Ülemäärane surumine ja surve võivad põhjustada ketta ohtliku purunemise.

▲HOIATUS: Vahetage ketas ALATI välja, kui tööriist on käimise ajal maha kukkunud.

▲HOIATUS: ÄRGE KUNAGI lööge ketast vastu töödeldavat detaili.

▲HOIATUS: Vältige ketta kinnikiilumist ja vastu töödeldavat pinda pörkumist, eriti siis, kui töötate nurkades ja teravate servadega jne. See võib põhjustada ohtlikke tagasilööke.

▲HOIATUS: Ärge kasutage tööriista puude saagimise saelehtedega ega muude saelehtedega. Selliste saelehtede kasutamisel lihvijaga annavad need sageli tagasilöögi ja toovad endaga kaasa kontrolli kaotamise, mis põhjustab vigastuste tekkimist.

▲HOIATUS: Kulunud ratta jätkuv kasutamine võib põhjustada ketta plahvatuse ja raske kehavigastuse.

▲ETTEVAATUST: Ärge käivitage kunagi tööriista, mis on kontaktis töödeldava pinna või detailiga, sest see võib kaasa tuua ohtlikke vigastusi.

▲ETTEVAATUST: Kandke töö juures alati kaitseprille või näokatet.

▲ETTEVAATUST: Pärast tööd lülitage tööriist alati välja ja oodake enne tööriista käest panemist, kuni ketas on täielikult seiskunud.

▲ETTEVAATUST: Hoidke tööriista ALATI kindlalt ühe käega korpusest ja teisega külgakäepidemest.

MÄRKUS: Kaheotstarbelist ketast saab kasutada nii lihvimiseks kui ka lõikamiseks.

Lihvimise kohta lugege jaotist „Kasutamine kettaga“, lõikamise kohta jaotist „Kasutamine abrasiivlõike-/teemantkettaga“.

Töö kettaga

► Joon.28

Lülitage tööriist sisse ja alustage seejärel kettaga pinna või detaili töötlemist.

Tavaliselt hoidke ketta serva töödeldava pinna suhtes u 15° nurga all.

Uue ketta sissetöötamisperioodil ärge töötage käiaga edasisuunas; sest muidu võib ketas lõikuda töödeldavasse pinda. Kui ketta serv on töö käigus ümaraks muutunud, võib ketast kasutada nii edasi- kui ka tagasisuunas.

Lihv-/teemantketta käitamine

Valikuline tarvik

▲HOIATUS: Ärge ummistage ketast ega rakendage liigset jõudu. Ärge püüdke teha liiga sügavat lõiget. Liigse jõu rakendamine suurendab koormust ja ketta väänamise või kinnikiilumise tõenäosust lõikejäljes ning tagasilöögi, ketta purunemise ja mootori ülekuumenemise võimalusi.

▲HOIATUS: Ärge käivitage töödeldava detaili lõikeoperatsiooni. Laske kettal saavutada täisküüris ja siseneva hoolikalt lõikesse, liigutades tööriista üle töödeldava detaili pinna. Kui elektritööriist taaskäivitatakse töödeldava detaili sees, võib ketas kinni jääda, ülespoole liikuda või põhjustada tagasilöögi.

▲HOIATUS: Ärge kunagi muutke ketta nurka lõikeoperatsiooni ajal. Lõikeketastele külgsurve rakendamine (nagu lihvimisel) põhjustab ketta möränemise ja purunemise, mis võib kaasa tuua tõsisid vigastusi.

▲HOIATUS: Teemantketast tuleb kasutada lõigatava materjali suhtes ristloodis.

Kasutusnäide: kasutamine abrasiivlõikekettaga

► Joon.29

Kasutusnäide: kasutamine teemantkettaga

► Joon.30

Traatidega kaussharja käitamine

Valikuline tarvik

▲ETTEVAATUST: Kontrollige harja tööd, lastes tööriistal tühjalt käia ja kandes hoolt selle eest, et keegi ei asuks harja ees või sellega ühel joonel.

Kasutusnäide: kasutamine traatidega kaussharjaga

► Joon.31

TÄHELEPANU: Vältige liigse jõu rakendamist, mis põhjustab traatide ülemääraast paindumist harjamise ajal. See võib põhjustada enneaegset purunemist.

Ketastraatharja käitamine

Valikuline tarvik

▲ETTEVAATUST: Kontrollige ketastraatharja tööd, lastes tööriistal tühjalt käia ja kandes hoolt selle eest, et keegi ei asuks ketastraatharja ees või sellega ühel joonel.

Kasutusnäide: kasutamine ketastraatharjaga

► Joon.32

TÄHELEPANU: Vältige liigse jõu rakendamist, mis põhjustab traatide ülemääraast paindumist ketastraatharja kasutamise ajal. See võib põhjustada enneaegset purunemist.

Kasutamine avalõikuriga

Valikuline tarvik

⚠ETTEVAATUST: Kontrollige avalõikuri tööd, lastes tööriistal töötada ilma koormuseta ja jälgides, et keegi ei oleks avalõikuri ees.

TÄHELEPANU: Ärge kallutage tööriista töö ajal. See võib tuua kaasa enneaegse purunemise.

Kasutusnäide: kasutamine avalõikuriga

► Joon.33

HOOLDUS

⚠ETTEVAATUST: Enne kontroll- või hooldustoimingute tegemist kandke alati hoolt selle eest, et tööriist oleks välja lülitatud ja vooluvõrgust lahti ühendatud.

TÄHELEPANU: Ärge kunagi kasutage bensiini, vedeldit, alkoholi ega midagi muud sarnast. Selle tulemuseks võib olla luitumine, deformatsioon või pragunemine.

Toote OHUTUSE ja TÖÖKINDLUSE tagamiseks tuleb vajalikud remonttööd ning muud hooldus- ja reguleerimistööd lasta teha Makita volitatud teeninduskeskustes või tehase teeninduskeskustes. Alati tuleb kasutada Makita varuosi.

Ventilatsiooniava puhastamine

Tööriist ja selle ventilatsiooniavad peavad olema puhtad. Puhastage tööriista ventilatsiooniavasid regulaarselt või siis, kui need hakkavad ummistuma.

► Joon.34: 1. Väljalaskeava 2. Sisselaskeava

KASUTUSALADE JA TARVIKUTE KOMBINEERIMINE

Lisatarvik

⚠ETTEVAATUST: Valede kaitsmetega tööriista kasutamine võib põhjustada järgmisi riske.

- Lõikeketta kaitsme kasutamisel esipinna lihvimiseks võib kettakaitse töödeldava detailiga kokku puutuda ja juhitudust halvendada.
- Lihvketta kaitsme kasutamisel lõikamiseks koos liimitud abrasiivketaste ja teemantketastega on suurem oht pöörelevate ketaste, tekkivate sädemete ja osakeste, samuti ketta purunemisel kettatükkidega kokku puutuda.
- Lõikeketta kaitsme või lihvketta kaitsme kasutamisel esipinna töötlemiseks kausikujuliste teemantketastega võib kettakaitse töödeldava detailiga kokku puutuda ja juhitudust halvendada.
- Lõikeketta kaitsme või lihvketta kaitsme kasutamisel kettakujulise traatharjaga, mille paksus on suurem kui jaotises „TEHNILISED ANDMED“ toodud maksimaalne paksus, võivad traadid vastu kaitset minna ning traatide purunemise põhjustada.
- Tolmukoguriga kettakaitsete kasutamine betooni või müüritise lõikamiseks ja esipinna töötlemiseks vähendab tolmu kokkupuutumise ohtu.
- Kaheotstarbeliste (lihv- ja abrasiivlõikefunktsioon) äärikkinnitusega ketaste kasutamisel kasutage ainult lõikeketta kaitset.

► Joon.35

Ainult mudelil GA4590 / GA4592 / GA5090 / GA5092

-	Kasutamine	115 mm mudel	125 mm mudel
1	-	Külgakäepide	
2	-	Kettakaitse (lihvketta jaoks)	
3	-	Sisemine äärik / superäärik *1*2	
4	Käimine/lihvimine	Nõgusa keskosaga ketas / lamellketas	
5	-	Fiksaatormutter	
6	-	Ezynut *1*2	
7	-	Tugitald	
8	Käimine/lihvimine	Paindub ketas	
9	-	Kummist tugiketas nr 100	Kummist tugiketas nr 115
10	Lihvimine	Lihvketas	
11	-	Lihvimise fiksaatormutter	
12	Traatharjagatöötlemine	Ketastraathari	
13	Traatharjagatöötlemine	Traatidega kausshari	
14	Avade lõikamine	Avalõikur	
15	-	Kettakaitse (lõikekettale)	
16	Lõikamine	Abrasiivlõikeketas/teemantketas	
17	Lihvimine/lõikamine	Kaheotstarbeline ketas	
18	-	Klamberkinnitusega lõikekettakaitse *3	
19	-	Tolmukoguriga kettakaitse lõikamiseks	
20	Lõikamine	Teemantketas	
21	-	Tolmukoguriga kettakaitse lihvimiseks	
22	Lihvimine	Kausikujuline teemantketas	
-	-	Fiksaatormutri vöti	
-	-	Tolmukatte kinnitus	

-	Kasutamine	115 mm mudel	125 mm mudel
1	-	Külgkäepide	
2	-	Kettakaitse (lihvketta jaoks)	
3	-	Sisemine äärik	
4	Käiamine/lihvimine	Nõgusa keskosaga ketas / lamellketas	
5	-	Fiksaatormutter	
6	-	Ezynut *1*2	
7	-	Tugitald	
8	Käiamine/lihvimine	Painduv ketas	
9	-	Kummist tugiketas nr 100	Kummist tugiketas nr 115
10	Lihvimine	Lihvketas	
11	-	Lihvimise fiksaatormutter	
12	Traatharjagatöötlemine	Ketastraathari	
13	Traatharjagatöötlemine	Traatidega kausshari	
14	Avade lõikamine	Avalõikur	
15	-	Kettakaitse (lõikekettale)	
16	Lõikamine	Abrasiivlõikeketas/teemantketas	
17	Lihvimine/lõikamine	Kaheotstarbeline ketas	
18	-	Klamberkinnitusega lõikekettakaitse *3	
19	-	Tolmukoguriga kettakaitse lõikamiseks	
20	Lõikamine	Teemantketas	
21	-	Tolmukoguriga kettakaitse lihvimiseks	
22	Lihvimine	Kausikujuline teemantketas	
-	-	Fiksaatormutri vöti	
-	-	Tolmukatte kinnitus	

MÄRKUS: *1 Ärge kasutage korraga Super-äärikut ja Ezynuti.

MÄRKUS: *2 Ainult tööriistadele, millel on võlli keere M14.

MÄRKUS: *3 Klamberkinnitusega lõikeketta kaitse ei ole mõnes riigis saadaval. Täpsemat teavet lugege klamberkinnitusega lõikeketta kaitsme kasutusjuhendist.

MÄRKUS: Ärge kinnitage superäärikut pidurifunktsiooniga lihvijaga.

VALIKULISED TARVIKUD

⚠ETTEVAATUST: Neid tarvikuid ja liseseadiseid on soovitatav kasutada koos Makita tööriistaga, mille kasutamist selles kasutusjuhendis kirjeldatakse. Muude tarvikute ja liseseadiste kasutamisega kaasneb vigastada saamise oht. Kasutage tarvikuid ja liseseadiseid ainult otstarbekohaselt.

Saate vajaduse korral kohalikust Makita teeninduskeskusest lisateavet nende tarvikute kohta.

- Jaotises „KASUTUSALADE JA TARVIKUTE KOMBINEERIMINE“ loetletud tarvikud

MÄRKUS: Mõned nimekirjas loetletud tarvikud võivad kuuluda standardvarustusse ning need on lisatud tööriista pakendisse. Need võivad riigiti erineda.

ТЕХНИЧЕСКИЕ ХАРАКТЕРИСТИКИ

Модель:		GA4590	GA4591	GA4592	GA5090	GA5091	GA5092
Подходящий шлифовальный диск	Макс. диаметр диска	115 мм			125 мм		
	Макс. толщина диска	7,2 мм					
Подходящий отрезной диск	Макс. диаметр диска	115 мм			125 мм		
	Макс. толщина диска	3,2 мм					
Подходящая дисковая проволочная щетка	Макс. диаметр диска	115 мм			125 мм		
	Макс. толщина диска	20 мм					
Резьба шпинделя		M14 или 5/8 дюйма (в зависимости от страны)					
Макс. длина шпинделя		23 мм					
Частота вращения без нагрузки (n_0) / Номинальная частота вращения (n)		11 500 мин ⁻¹					
Общая длина		326 мм	349 мм	326 мм	349 мм	326 мм	326 мм
Масса нетто		2,6–3,8 кг	2,8–4,0 кг	2,6–3,8 кг	2,8–4,0 кг	2,6–3,8 кг	2,6–3,8 кг
Класс безопасности		□/II					

- Благодаря нашей постоянно действующей программе исследований и разработок указанные здесь технические характеристики могут быть изменены без предварительного уведомления.
- Технические характеристики могут различаться в зависимости от страны.
- Масса может отличаться в зависимости от дополнительного оборудования. В таблице представлены комбинации с наибольшей и наименьшей массой в соответствии с процедурой EPTA 01/2014.

Символы

Ниже приведены символы, которые могут использоваться для обозначения оборудования. Перед использованием убедитесь в том, что вы понимаете их значение.



Прочитайте руководство по эксплуатации.



Надевайте защитные очки.



Во время работы обязательно держите инструмент двумя руками.



Не используйте кожух диска для операций резки.



ДВОЙНАЯ ИЗОЛЯЦИЯ



Только для стран ЕС
В связи с наличием в оборудовании опасных компонентов использованное электрическое и электронное оборудование может оказывать негативное влияние на окружающую среду и здоровье человека.
Не выбрасывайте электрические и электронные приборы вместе с бытовыми отходами! В соответствии с директивой ЕС по утилизации отходов электрического и электронного оборудования и ее адаптацией к национальному законодательству, использованное электрическое и электронное оборудование должно отдельно собираться и доставляться на пункт раздельного сбора коммунальных отходов, работающем с соблюдением правил охраны окружающей среды. Это обозначено символом в виде перекрнутого мусорного контейнера на колесах, нанесенным на оборудование.

Назначение

Инструмент предназначен для шлифовки, зачистки (в том числе проволочной щеткой), вырезания отверстий и резки материалов из металла и камня без использования воды.

Источник питания

Данный инструмент должен подключаться к источнику питания с напряжением, соответствующим напряжению, указанному на идентификационной пластине, и может работать только от однофазного источника переменного тока. Он имеет двойную изоляцию и поэтому может подключаться к розеткам без заземления.

Шум

Типичный уровень взвешенного звукового давления (A), измеренный в соответствии с EN62841-2-3:

Модель	Уровень звукового давления (L_{pA}): (дБ (A))	Уровень звуковой мощности (L_{wA}): (дБ (A))	Погрешность (K): (дБ (A))
GA4590	93	101	3
GA4591	90	98	3
GA4592	93	101	3
GA5090	93	101	3
GA5091	90	98	3
GA5092	93	101	3

ПРИМЕЧАНИЕ: Заявленное значение распространения шума измерено в соответствии со стандартной методикой испытаний и может быть использовано для сравнения инструментов.

ПРИМЕЧАНИЕ: Заявленное значение распространения шума можно также использовать для предварительных оценок воздействия.

⚠ ОСТОРОЖНО: Используйте средства защиты слуха.

⚠ ОСТОРОЖНО: Распространение шума во время фактического использования электроинструмента может отличаться от заявленного значения в зависимости от способа применения инструмента и в особенности от типа обрабатываемой детали.

⚠ ОСТОРОЖНО: Обязательно определите меры безопасности для защиты оператора, основанные на оценке воздействия в реальных условиях использования (с учетом всех этапов рабочего цикла, таких как выключение инструмента, работа без нагрузки и включение).

⚠ ОСТОРОЖНО: Шлифование тонколистового металла или других легко поддающихся вибрациям структур с большой площадью поверхности может привести к тому, что суммарный уровень шума будет значительно превышать (до 15 дБ) заявленные значения уровня шума.

Во избежание распространения шума от таких обрабатываемых деталей следует прикреплять к ним тяжелые гибкие звукопоглощающие коврики или аналогичные приспособления.

Повышенный уровень шума следует учитывать как при оценке риска, связанного с воздействием шума, так и при выборе надлежащих средств защиты органов слуха.

Вибрация

Суммарное значение вибрации (сумма векторов по трем осям), определенное в соответствии с EN62841-2-3:

Рабочий режим: шлифование поверхности с использованием обычной боковой ручки

Модель	Распространение вибрации ($a_{hv, Aeq}$): (m/c^2)	Погрешность (K): (m/c^2)
GA4590	4,7	1,5
GA4591	5,4	1,5
GA4592	4,7	1,5
GA5090	7,9	1,5
GA5091	7,4	1,5
GA5092	7,9	1,5

Рабочий режим: шлифование поверхности с использованием антивибрационной боковой ручки

Модель	Распространение вибрации ($a_{hv, Aeq}$): (m/c^2)	Погрешность (K): (m/c^2)
GA4590	4,9	1,5
GA4591	5,2	1,5
GA4592	4,9	1,5
GA5090	8,8	1,5
GA5091	8,7	1,5
GA5092	8,8	1,5

Рабочий режим: шлифование с использованием обычной боковой ручки

Модель	Распространение вибрации ($a_{hv, DS}$) : (m/c^2)	Погрешность (K): (m/c^2)
GA4590	3,6	1,5
GA4591	3,2	1,5
GA4592	3,6	1,5
GA5090	2,7	1,5
GA5091	2,7	1,5
GA5092	2,7	1,5

Рабочий режим: шлифование с использованием антивибрационной боковой ручки

Модель	Распространение вибрации ($a_{hv, DS}$) : (m/c^2)	Погрешность (K): (m/c^2)
GA4590	3,5	1,5
GA4591	2,9	1,5
GA4592	3,5	1,5
GA5090	2,8	1,5
GA5091	3,0	1,5
GA5092	2,8	1,5

ПРИМЕЧАНИЕ: Заявленное общее значение распространения вибрации измерено в соответствии со стандартной методикой испытаний и может быть использовано для сравнения инструментов.

ПРИМЕЧАНИЕ: Заявленное общее значение распространения вибрации можно также использовать для предварительных оценок воздействия.

⚠ОСТОРОЖНО: Распространение вибрации во время фактического использования электроинструмента может отличаться от заявленного значения в зависимости от способа применения инструмента и в особенности от типа обрабатываемой детали.

⚠ОСТОРОЖНО: Обязательно определите меры безопасности для защиты оператора, основанные на оценке воздействия в реальных условиях использования (с учетом всех этапов рабочего цикла, таких как выключение инструмента, работа без нагрузки и включение).

⚠ОСТОРОЖНО: Заявленное значение распространения вибрации относится к основным операциям, выполняемым с помощью электроинструмента. Однако если электроинструмент используется для других целей, уровень вибрации может отличаться.

Декларация о соответствии ЕС

Только для европейских стран

Декларация о соответствии ЕС включена в руководство по эксплуатации (Приложение А).

МЕРЫ БЕЗОПАСНОСТИ

Общие рекомендации по технике безопасности для электроинструментов

⚠ОСТОРОЖНО: Ознакомьтесь со всеми представленными инструкциями по технике безопасности, указаниями, иллюстрациями и техническими характеристиками, прилагаемыми к данному электроинструменту. Несоблюдение каких-либо инструкций, указанных ниже, может привести к поражению электрическим током, пожару и/или серьезной травме.

Сохраните брошюру с инструкциями и рекомендациями для дальнейшего использования.

Термин "электроинструмент" в предупреждениях относится ко всему инструменту, работающему от сети (с проводом) или на аккумуляторах (без провода).

Правила техники безопасности при эксплуатации шлифмашины

Общие предупреждения о правилах техники безопасности при выполнении шлифования абразивным диском, абразивной бумагой, проволочной щеткой или операций резки:

1. Данный электроинструмент предназначен для шлифования абразивным диском, абразивной бумагой, проволочной щеткой, вырезания отверстий или операций резки. Ознакомьтесь со всеми инструкциями по технике безопасности, указаниями, иллюстрациями и техническими характеристиками, прилагаемыми к данному электроинструменту. Несоблюдение всех приведенных далее инструкций может привести к поражению электрическим током, возгоранию и/или тяжелым травмам.

2. Данный электроинструмент не предназначен для выполнения таких операций, как полировка. Использование электроинструмента не по назначению может привести к опасной ситуации и причинить травму.
 3. Не перепрофилируйте данный электроинструмент в целях выполнения операций, для которых он не предназначен и которые не предусмотрены его производителем. Такое перепрофилирование может привести к потере контроля с причинением тяжелой травмы.
 4. Не используйте насадки других производителей, не предназначенные для данного инструмента и не указанные его производителем. Даже если такую насадку удастся закрепить на электроинструменте, это не обеспечит безопасность его эксплуатации.
 5. Номинальная скорость насадки должна быть как минимум равна максимальной скорости, обозначенной на электроинструменте. При вращении насадки со скоростью выше номинальной она может разломиться на части.
 6. Внешний диаметр и толщина насадки должны соответствовать номинальной мощности электроинструмента. Неверно подобранные по размеру насадки не гарантируют безопасности и точности управления.
 7. Размеры крепления насадки должны соответствовать размерам крепежного приспособления электроинструмента. Установка насадок, не соответствующих крепежному приспособлению электроинструмента, приведет к разбалансировке, чрезмерной вибрации и возможной потере контроля.
 8. Не используйте поврежденные насадки. Перед каждым использованием насадок типа абразивных дисков проверяйте их на наличие сколов и трещин, проверяйте подошвы на наличие трещин, задиrows или чрезмерного износа, а проволочные щетки – на наличие выпавших или сломанных кусков проволоки. В случае падения электроинструмента или насадки убедитесь в отсутствии на них повреждений или установите неповрежденную насадку. После осмотра и установки насадки включите электроинструмент на максимальной скорости без нагрузки на одну минуту; при этом следите, чтобы вы сами и окружающие находились на безопасном расстоянии от плоскости вращения принадлежности. Поврежденная насадка обычно ломается в течение такого пробного периода.
 9. Используйте индивидуальные средства защиты. В зависимости от выполняемых операций используйте защитную маску или защитные очки. При необходимости надевайте респиратор, средство защиты органов слуха, перчатки и рабочий фартук для защиты от мелких частиц абразивных материалов или обрабатываемой детали. Средства защиты органов зрения должны предохранять от летящих фрагментов, образующихся при использовании инструмента в различных целях. Пылезащитная маска или респиратор должны обеспечивать фильтрацию частиц, образующихся при использовании инструмента в конкретных целях. Продолжительное воздействие сильного шума может вызвать потерю слуха.
 10. Посторонние лица должны находиться на безопасном расстоянии от рабочей зоны. Любой приближающийся к рабочему месту человек должен предварительно надеть индивидуальные средства защиты. Фрагменты обрабатываемой детали или сломавшейся насадки могут разлететься и причинить травму даже на значительном удалении от рабочего места.
 11. Если при выполнении работ существует риск контакта режущей насадки со скрытой электропроводкой или собственным шнуром питания, держите электроинструмент только за специальные изолированные поверхности. В случае контакта режущей насадки с находящимся под напряжением проводом металлические детали электроинструмента могут также оказаться под напряжением и стать причиной поражения оператора электрическим током.
 12. Располагайте шнур на расстоянии от вращающейся насадки. В случае потери контроля над инструментом возможно случайное разревание или повреждение шнура, а также затягивание руки вращающейся насадкой.
 13. Ни в коем случае не кладите электроинструмент до полной остановки насадки. Вращающаяся насадка может коснуться поверхности и вывести электроинструмент из-под контроля.
 14. Не включайте электроинструмент во время переноски. Случайный контакт с вращающейся насадкой может привести к заземлению одежды и притягиванию насадки к телу.
 15. Регулярно прочищайте вентиляционные отверстия электроинструмента. Вентилятор электродвигателя засасывает пыль внутрь корпуса, а значительные скопления металлической пыли могут привести к поражению электрическим током.
 16. Не используйте электроинструмент вблизи легковоспламеняющихся материалов. Эти материалы могут воспламениться от искр.
 17. Не используйте насадки, требующие жидкостного охлаждения. Использование воды или других охлаждающих жидкостей может привести к поражению электрическим током, в том числе смертельному.
- Отдача и соответствующие предупреждения:**
Отдача – это мгновенная реакция на неожиданное застопоривание вращающегося диска, подошвы, щетки или другой принадлежности. Зажимание или застопоривание вызывает резкий останов вращающейся принадлежности, что, в свою очередь, приводит к неконтролируемому рывку электроинструмента в направлении, противоположном вращению принадлежности в момент застревания. Например, если абразивный диск зажимается или прихватывается деталью, то край диска, находящийся в точке заклинивания, может углубиться в поверхность детали, что приведет к выкатыванию или выскакиванию диска. Диск может совершить рывок в направлении оператора или обратно, в зависимости от направления движения диска в точке заклинивания. Также в этих условиях абразивные диски могут разламываться.
- Отдача – это результат неправильного использования электроинструмента и/или неправильных методов или условий работ, чего можно избежать, соблюдая нижеуказанные меры предосторожности.

1. **Крепко держите электроинструмент обеими руками и располагайте свое тело и руки так, чтобы можно было сопротивляться силам отдачи. Обязательно пользуйтесь вспомогательной рукояткой (при наличии), чтобы обеспечить максимальный контроль над отдачей или крутящим моментом во время пуска. Оператор способен справиться с крутящим моментом и силами отдачи при условии соблюдения соответствующих мер безопасности.**
2. **Ни в коем случае не располагайте руки вблизи вращающейся насадки. При отдаче насадка может задеть руки.**
3. **Не становитесь на возможной траектории движения электроинструмента в случае отдачи. При отдаче инструмент сместится в направлении, противоположном вращению диска в момент застревания.**
4. **Соблюдайте особую осторожность при обработке углов, острых краев и т. п. Не допускайте подпрыгивания и защемления насадки. Углы, острые края и подпрыгивание способствуют защемлению вращающейся насадки, которое приводит к выходу из-под контроля или отдаче.**
5. **Не устанавливайте на инструмент пильную цепь, принадлежность для резьбы по дереву, сегментированный алмазный диск с периферийным зором более 10 мм или пильный диск. Такие диски часто дают отдачу и приводят к потере контроля.**

Специальные предупреждения о безопасности для операций шлифования и резки:

1. **Используйте диски только указанных для вашего электроинструмента типов и специальные защитные приспособления, предназначенные для выбранного диска. Диски, не предназначенные для данного электроинструмента, не обеспечивают достаточную степень защиты и небезопасны.**
2. **Шлифовальная поверхность дисков с утопленным центром должна быть установлена под плоской поверхностью кромок кожуха. Для неправильно установленного диска, выступающего над плоской поверхностью кромок кожуха, надлежущая защита не гарантируется.**
3. **Кожух должен быть надежно закреплен на электроинструменте и расположен для обеспечения максимальной защиты таким образом, чтобы как можно меньший сегмент диска выступал в сторону оператора. Кожух помогает обезопасить оператора от разлета осколков разрушившегося диска, случайного прикосновения к диску и искр, которые могут воспламенить одежду.**
4. **Диски должны использоваться только по указанному назначению. Например: не шлифуйте краем отрезного диска. Абразивные отрезные диски предназначены для периферийного шлифования; боковые усилия, приложенные к таким дискам, могут вызвать их разрушение.**
5. **Используйте только неповрежденные фланцы для дисков соответствующего размера и формы. Подходящие фланцы поддерживают диск, снижая вероятность его повреждения. Фланцы для отрезных дисков могут отличаться от фланцев для шлифовальных дисков.**
6. **Не используйте изношенные диски от более крупных электроинструментов. Диск, предназначенный для более мощного электроинструмента, не подходит для высокоскоростного электроинструмента меньшей мощности и может разломиться.**
7. **При использовании дисков двойного назначения обязательно используйте кожух, подходящий для выполняемой операции. Использование неподходящего кожуха не обеспечивает нужного уровня защиты, что может привести к тяжелой травме.**

Дополнительные предупреждения о безопасности в отношении операций резки:

1. **Не “заклинивайте” отрезной диск и не прикладываете к нему чрезмерное давление. Не пытайтесь делать слишком глубокий разрез. Перенапряжение диска увеличивает нагрузку и вероятность искривления или застревания диска в прорези, а также отдачи или поломки диска.**
2. **Не становитесь на возможной траектории движения вращающегося диска и позади него. Если во время работы диск движется от вас, то при отдаче вращающийся диск и электроинструмент может отбросить прямо на вас.**
3. **Если диск застревает или процесс резания прерывается по какой-либо причине, выключите электроинструмент и держите его неподвижно до полной остановки диска. Не пытайтесь извлечь отрезной диск из разреза до полной остановки диска, в противном случае может возникнуть отдача. Выясните и устраните причину застревания диска.**
4. **Не перезапускайте отрезной диск, пока он находится в детали. Дождитесь, пока диск разовьет максимальную скорость, и осторожно погрузите его в разрез. Если перезапустить электроинструмент непосредственно в обрабатываемой детали, то диск может застрять, а отдача может отбросить его вверх или назад.**
5. **Устанавливайте опоры под панели или крупные детали, чтобы минимизировать опасность застревания диска и возникновения отдачи. Крупные детали обычно прогибаются под собственным весом. Опоры должны помещаться под разрезаемой деталью рядом с линией разреза и рядом с краем детали с обеих сторон от диска.**
6. **Будьте особенно осторожны при выполнении “врезки” в имеющихся стенах или на других участках, недоступных для осмотра. Выступающая часть диска может перерезать газовые или водопроводные трубы, электропроводку или другие предметы, что может вызвать отдачу.**

7. Не пытайтесь делать криволинейные разрезы. Перенапряжение диска увеличивает нагрузку и вероятность искривления или застревания диска в прорези, а также отдачи или поломки диска, что может причинить тяжелую травму.
8. Перед использованием сегментированного алмазного диска убедитесь, что периферийный зазор между сегментами алмазного диска не превышает 10 мм, только с отрицательным передним углом наклона.
9. Сразу после окончания работ не прикасайтесь к вспомогательным деталям. Они могут быть очень горячими, что приведет к ожогам кожи.
10. Соблюдайте инструкции изготовителя по правильной установке и использованию диска. Бережно обращайтесь с дисками и аккуратно храните их.
11. Не пользуйтесь отдельными переходными втулками или адаптерами для крепления абразивных дисков с большими отверстиями.

Специальные инструкции по технике безопасности для выполнения шлифовальных операций:

1. Используйте круглую наждачную бумагу надлежащего размера. При выборе наждачной бумаги следуйте рекомендациям производителя. При использовании наждачной бумаги большего размера, при котором она слишком сильно выступает за края подложки, существует опасность разрыва бумаги, а также возможность защемления, разрушения круга или отдачи.

Специальные инструкции по технике безопасности в отношении операций очистки проволочной щеткой:

1. Берегитесь кусков проволоки, разлетающихся от щетки даже в нормальном режиме работы. Не прикладывайте чрезмерное усилие к проволоке, слишком сильно нажимая на щетку. Куски проволоки могут легко пробить легкую одежду и/или кожу.
2. Если для очистки проволочными щетками предписано использовать кожух, не допускайте контакта проволочного диска или щетки с кожухом. Проволочный диск или щетка могут увеличиваться в диаметре под воздействием нагрузки и центробежных сил.

Дополнительные правила техники безопасности:

1. При применении дисков с утопленным центром используйте только диски, армированные стекловолоком.
2. **ЗАПРЕЩАЕТСЯ ИСПОЛЬЗОВАТЬ** с этим инструментом шлифовальные чашки для камня. Данная шлифмашина не предназначена для дисков такого типа, их использование может привести к тяжелой травме.
3. Будьте осторожны во избежание повреждения шпинделя, фланца (особенно его установочной поверхности) или контргайки. Повреждения этих деталей могут привести к поломке диска.
4. Перед включением выключателя убедитесь, что диск не касается детали.
5. Перед использованием инструмента на реальной детали дайте ему немного поработать вхолостую. Следите за вибрацией или биением, которые могут свидетельствовать о неправильной установке или плохой балансировке диска.
6. Для выполнения шлифования пользуйтесь соответствующей поверхностью диска.
7. Не оставляйте работающий инструмент без присмотра. Включайте инструмент только тогда, когда он находится в руках.
8. Сразу после окончания работ не прикасайтесь к обработанной детали. Она может быть очень горячей, что приведет к ожогам кожи.
9. Соблюдайте инструкции изготовителя по правильной установке и использованию диска. Бережно обращайтесь с дисками и аккуратно храните их.
10. Не пользуйтесь отдельными переходными втулками или адаптерами для крепления абразивных дисков с большими отверстиями.
11. Пользуйтесь только фланцами, предназначенными для данного инструмента.
12. Для инструментов, предназначенных для использования дисков с резьбовым отверстием, убедитесь, что резьба диска достаточно, чтобы диск можно было полностью завернуть на шпиндель.
13. Убедитесь, что обрабатываемая деталь имеет надлежащую опору.
14. Обратите внимание на то, что диск будет некоторое время вращаться после выключения инструмента.
15. Если в месте выполнения работ очень высокая температура и влажность или наблюдается большое количество токопроводящей пыли, используйте прерыватель цепи (30 мА) для обеспечения безопасности работ.
16. Не используйте инструмент на любых материалах, содержащих асбест.
17. При использовании отрезного диска обязательно работайте с защитным кожухом с пылеотводом, если его установка необходима в соответствии с местными нормативными требованиями.
18. Не подвергайте отрезные круги какому-либо боковому давлению.
19. Не пользуйтесь тканевыми перчатками во время работы. Волокна от тканевых перчаток могут попасть в инструмент и привести к его поломке.
20. Перед началом работы убедитесь в том, что под поверхностью обрабатываемой детали не проходят линии электроснабжения, водопроводы или газопроводы. Несоблюдение данного требования может привести к поражению электрическим током, утечке электрического тока или газа.
21. Если к диску прикреплен прокладкой, не снимайте ее. Диаметр прокладки должен превышать размеры контргайки, наружного фланца и внутреннего фланца.
22. Перед установкой шлифовального диска обязательно проверяйте, чтобы прокладка не имела никаких дефектов, в частности отколотых частей или трещин.
23. Затягивайте контргайку с надлежащим усилием. В случае перетягивания диска возможна его поломка, а недостаточное затягивание может привести к возникновению вибрации.

СОХРАНИТЕ ДАННЫЕ ИНСТРУКЦИИ.

⚠ОСТОРОЖНО: НЕ ДОПУСКАЙТЕ, чтобы удобство или опыт эксплуатации данного устройства (полученный от многократного использования) доминировали над строгим соблюдением правил техники безопасности при обращении с этим устройством. НЕПРАВИЛЬНОЕ ИСПОЛЬЗОВАНИЕ инструмента или несоблюдение правил техники безопасности, указанных в данном руководстве, может привести к тяжелой травме.

ОПИСАНИЕ РАБОТЫ

⚠ВНИМАНИЕ: Перед регулировкой или проверкой функций инструмента обязательно убедитесь, что он выключен и его вилка вынута из розетки.

Система защиты инструмента

Инструмент оснащен системой защиты инструмента. Система автоматически снижает мощность или отключает питание двигателя для продления срока службы инструмента. Инструмент автоматически понизит мощность или остановится во время работы в указанных далее случаях:

Защита от перегрузки

Если из-за способа эксплуатации инструмент потребляет очень большое количество тока, он автоматически понижает мощность без включения каких-либо индикаторов. В данной ситуации устраните причину перегрузки для восстановления частоты вращения.

Защита от перегрева

В зависимости от страны

При перегреве инструмент автоматически останавливается, а индикаторная лампа начинает мигать красным. В данной ситуации следует дать инструменту остыть. Инструмент можно включить снова после изменения цвета лампы с красного на зеленый.

Индикаторная лампа

► **Рис.1:** 1. Индикаторная лампа

При подключении инструмента к сети питания загорается зеленая индикаторная лампа. Если индикаторная лампа мигает красным, это означает, что работа инструмента остановлена функцией защиты от перегрева, функцией распознавания активной обратной связи или функцией предотвращения случайного запуска. В данной ситуации выключите инструмент. Затем включите инструмент для перезапуска. Если индикаторная лампа загорается красным после выключения инструмента, это означает его перегрев. В данной ситуации дайте инструменту остыть и дождитесь, пока индикаторная лампа загорится зеленым.

Регулятор частоты вращения

Только для модели GA4590 / GA4591 / GA5090 / GA5091

⚠ВНИМАНИЕ: Непрерывное использование инструмента на низких скоростях в течение длительного времени приведет к перегрузке и перегреву двигателя.

⚠ВНИМАНИЕ: Диск регулировки скорости можно поворачивать только до цифры 5 и обратно до 1. Не пытайтесь силой повернуть регулятор за пределы значений 5 или 1, так как это может привести к отказу функции регулирования частоты вращения.

Скорость вращения можно изменять путем поворота диска регулировки скорости на заданную цифру от 1 до 5. Для увеличения частоты вращения вращайте регулятор в направлении цифры 5. Для понижения частоты вращения вращайте регулятор в направлении цифры 1. Соотношение между цифровым значением на диске и примерной скоростью вращения указано в приведенной ниже таблице.

Цифра	Номинальная частота вращения
1	2 800 мин ⁻¹
2	4 500 мин ⁻¹
3	6 500 мин ⁻¹
4	8 000 мин ⁻¹
5	11 500 мин ⁻¹

► **Рис.2:** 1. Регулятор частоты вращения

Фиксатор вала

⚠ОСТОРОЖНО: Ни в коем случае не задевайте фиксатор вала при вращающемся шпинделе. Это может вызвать тяжелую травму или вывести инструмент из строя.

Нажмите на фиксатор вала для предотвращения вращения шпинделя при установке или снятии дополнительных принадлежностей.

► **Рис.3:** 1. Фиксатор вала

Действие выключателя

⚠ВНИМАНИЕ: Перед включением штекера инструмента в розетку питания обязательно убедитесь, что ползунковый переключатель работает надлежащим образом и возвращается в положение “ВЫКЛ.” при нажатии на его заднюю часть.

⚠ВНИМАНИЕ: В случае продолжительной работы для удобства оператора переключатель можно зафиксировать в положении “ВКЛ.”. Соблюдайте осторожность при фиксации инструмента в положении “ВКЛ.” и крепко удерживайте инструмент.

Для запуска инструмента нажмите на заднюю часть ползункового переключателя, после чего передвиньте его в положение "I (ВКЛ.)".

Для непрерывной работы нажмите на переднюю часть ползункового переключателя, чтобы зафиксировать его.

► **Рис.4:** 1. Ползунковый переключатель

Для останова инструмента нажмите на заднюю часть ползункового переключателя, чтобы он вернулся в положение "O (ВЫКЛ.)".

► **Рис.5:** 1. Ползунковый переключатель

Электронная функция

Функция распознавания активной обратной связи

▲ВНИМАНИЕ: Крепко держите инструмент до прекращения вращения.

С помощью электронного устройства инструмент определяет, что существует риск защемления диска или другой принадлежности. В этой ситуации электропитание инструмента автоматически отключается для предотвращения дальнейшего вращения шпинделя (это не предотвращает отдачу).

В этот момент индикаторная лампа мигает красным, а это означает, что включена функция распознавания активной обратной связи.

Чтобы перезапустить инструмент, сначала отключите его. Устраните причину внезапного снижения скорости вращения и вновь включите инструмент.

Функция предотвращения случайного запуска

При подключении инструмента к сети с переключателем в положении ВКЛ инструмент не запускается. В этом случае индикаторная лампа мигает красным, указывая на работу функции предотвращения случайного запуска.

Для запуска инструмента переведите переключатель в положение ВЫКЛ и включите его снова.

Постоянный контроль скорости

Возможность достижения тонкой отделки, так как скорость вращения поддерживается на постоянном уровне, даже при нагрузке.

Функция плавного запуска

Функция плавного запуска снижает начальный рывок инструмента.

Механический тормоз

Только для модели GA4591 / GA5091

Механический тормоз активируется после выключения инструмента.

Тормоз не срабатывает при отключении подачи питания с переключателем, оставшимся в положении ВКЛ.

СБОРКА

▲ВНИМАНИЕ: Перед проведением каких-либо работ с инструментом обязательно проверьте, что инструмент выключен, а шнур питания вынут из розетки.

Установка боковой ручки (рукоятки)

▲ВНИМАНИЕ: Перед работой всегда проверьте надежность крепления боковой ручки.

Прочно закрепите боковую ручку на месте винтом, как показано на рисунке.

► **Рис.6**

Установка или снятие кожуха диска

▲ОСТОРОЖНО: При использовании диска с утопленным центром, откидного круга, гибкого диска или дисковой проволочной щетки установите защитный кожух так, чтобы закрытая сторона кожуха была направлена к оператору.

▲ОСТОРОЖНО: Убедитесь в том, что кожух диска надежно зафиксирован стопорным рычагом в одном из отверстий на кожухе диска.

▲ОСТОРОЖНО: При использовании абразивного отрезного диска/алмазного диска может применяться только специальный защитный кожух, предназначенный для отрезных дисков.

Для диска с утопленным центром, откидного круга, гибкого диска, дисковой проволочной щетки / абразивного отрезного диска, алмазного диска

1. Удерживая нажатым стопорный рычаг, установите кожух диска, совместив выступы на кожухе диска с пазами на корпусе подшипника.

► **Рис.7:** 1. Стопорный рычаг 2. Паза 3. Выступ

2. Толкая рычаг блокировки в направлении А, прижмите части В кожуха диска, как показано на рисунке.

► **Рис.8:** 1. Кожух диска 2. Отверстие

ПРИМЕЧАНИЕ: На кожух диска следует надавливать прямолинейно. В противном случае кожух диска не зафиксируется.

3. Толкая рычаг блокировки в направлении А, поверните кожух диска в направлении С, после чего измените угол кожуха диска в зависимости от выполняемой работы, чтобы обеспечить защиту оператора. Совместите рычаг блокировки с одним из отверстий в кожухе диска, после чего отпустите рычаг блокировки, чтобы зафиксировать кожух диска.

► **Рис.9:** 1. Кожух диска 2. Отверстие

Для снятия кожуха диска выполните процедуру установки в обратном порядке.

Пристежная насадка на кожух отрезного диска

Дополнительные принадлежности

ПРИМЕЧАНИЕ: Для операций резки кожух диска (для шлифовального диска) может использоваться с пристежной насадкой на кожух отрезного диска.

В некоторых странах эта возможность недоступна.

► Рис.10

Установка и снятие диска с утопленным центром или откидного круга

Дополнительные принадлежности

▲ОСТОРОЖНО: При использовании диска с утопленным центром или откидного круга кожух диска должен быть установлен так, чтобы его закрытая сторона была обращена к оператору.

▲ОСТОРОЖНО: Убедитесь, что крепежный компонент внутреннего фланца идеально совпадает с внутренним диаметром диска с утопленным центром/откидного круга. Установка внутреннего фланца не с той стороны может привести к возникновению опасной вибрации.

Установите на шпindelь внутренний фланец. Убедитесь, что часть с выемкой внутреннего фланца установлена на ровный участок у нижней части шпинделя.

Установите диск с утопленным центром/откидной круг на внутренний фланец и закрутите контргайку на шпинделе.

► Рис.11: 1. Контргайка 2. Диск с утопленным центром 3. Внутренний фланец 4. Крепежный компонент

Для затяжки контргайки сильно надавите на фиксатор вала, чтобы шпindelь не проворачивался, затем воспользуйтесь ключом контргайки и крепко затяните ее по часовой стрелке.

► Рис.12: 1. Ключ контргайки 2. Фиксатор вала

Для снятия диска выполните процедуру установки в обратном порядке.

Установка и снятие гибкого диска

Дополнительные принадлежности

▲ОСТОРОЖНО: При установке на инструмент гибкого диска обязательно используйте прилагаемый кожух. Во время работы диск может разрушиться. Защитный кожух снизит риск получения травмы.

► Рис.13: 1. Контргайка 2. Гибкий диск 3. Вспомогательная подушка 4. Внутренний фланец

Следуйте указаниям для диска с утопленным центром, а также установите над диском вспомогательную подушку.

Установка или снятие абразивного круга

Дополнительные принадлежности

► Рис.14: 1. Шлифовальная контргайка 2. Абразивный круг 3. Резиновая подушка

1. Установите резиновую подушку на шпindelь.
2. Установите круг на резиновую подушку и наведите на шпindelь шлифовальную контргайку.
3. Закрепите шпindelь с помощью фиксатора вала и надежно затяните шлифовальную контргайку по часовой стрелке с помощью ключа.

Для снятия круга выполните процедуру установки в обратном порядке.

ПРИМЕЧАНИЕ: Используйте принадлежности для шлифования, указанные в данном руководстве. Их необходимо приобретать отдельно.

Суперфланец

Дополнительные принадлежности

Только для модели GA4590 / GA4592 / GA5090 / GA5092

Суперфланец является специальной принадлежностью для модели, НЕ оснащенной функцией торможения.

Для откручивания контргайки достаточно только трети усилия, необходимого для снятия стандартной гайки.

Установка или снятие гайки Ezy nut

Дополнительные принадлежности

Только для инструментов с резьбой шпинделя M14.

▲ВНИМАНИЕ: Не используйте гайку Ezy nut с суперфланцем. Эти фланцы имеют толщину, при которой шпindelь не может быть завернут по всей длине резьбы.

Установите внутренний фланец, абразивный диск и гайку Ezy nut на шпindelь так, чтобы логотип Makita на гайке Ezy nut был направлен наружу.

► Рис.15: 1. Гайка Ezy nut 2. Абразивный диск 3. Внутренний фланец 4. Шпindelь

Сильно надавите на фиксатор вала и затяните гайку Ezy nut, повернув абразивный диск по часовой стрелке до упора.

► Рис.16: 1. Фиксатор вала

Чтобы ослабить гайку Ezy nut, поверните ее внешнее кольцо против часовой стрелки.

ПРИМЕЧАНИЕ: Гайку Ezy nut можно ослабить без использования инструментов, если стрелка указывает на паз. В противном случае необходимо воспользоваться ключом для контргаек. Вставьте один зуб ключа в отверстие и поверните гайку Ezy nut против часовой стрелки.

► Рис.17: 1. Стрелка 2. Паз

► Рис.18

Установка абразивного отрезного/ алмазного диска

Дополнительные принадлежности

⚠ОСТОРОЖНО: При использовании абразивного отрезного диска/алмазного диска может применяться только специальный защитный кожух, предназначенный для отрезных дисков.

⚠ОСТОРОЖНО: ЗАПРЕЩАЕТСЯ использовать отрезной диск для шлифовки боковой поверхностью.

- **Рис.19:** 1. Контргайка 2. Абразивный отрезной диск/алмазный диск 3. Внутренний фланец 4. Защитный кожух для абразивного отрезного диска/алмазного диска

Сведения по установке см. в инструкциях к диску с утопленным центром.

Направление установки контргайки и внутреннего фланца зависит от типа и толщины диска.

Придерживайтесь следующих значений.

При установке абразивного отрезного диска:

- **Рис.20:** 1. Контргайка 2. Абразивный отрезной диск (тоньше 4 мм (5/32 дюйма)) 3. Абразивный отрезной диск (4 мм (5/32 дюйма) или толще) 4. Внутренний фланец

При установке алмазного диска:

- **Рис.21:** 1. Контргайка 2. Алмазный диск (тоньше 4 мм (5/32 дюйма)) 3. Алмазный диск (4 мм (5/32 дюйма) или толще) 4. Внутренний фланец

Установка чашечной проволочной щетки

Дополнительные принадлежности

⚠ВНИМАНИЕ: Не используйте поврежденную или разбалансированную щетку. Использование поврежденной щетки может увеличить опасность получения травм от контакта с проволокой.

Положите инструмент в перевернутом положении для облегчения доступа к шпинделю.

Снимите со шпинделя все дополнительные принадлежности. Наверните проволочную чашечную щетку на шпиндель и затяните прилагаемым ключом.

- **Рис.22:** 1. Чашечная проволочная щетка

Установка дисковой проволочной щетки

Дополнительные принадлежности

⚠ВНИМАНИЕ: Не используйте поврежденную или разбалансированную дисковую проволочную щетку. Использование поврежденной дисковой проволочной щетки может увеличить риск получения травм от контакта с проволокой.

⚠ВНИМАНИЕ: При работе с дисковой проволочной щеткой ВСЕГДА используйте защитный кожух, убедившись, что диаметр диска соответствует внутреннему диаметру кожуха. Во время работы диск может разрушиться. Защитный кожух снизит риск получения травмы.

Положите инструмент в перевернутом положении для облегчения доступа к шпинделю. Снимите со шпинделя все дополнительные принадлежности. Установите дисковую проволочную щетку на шпиндель и затяните ее с помощью ключей.

- **Рис.23:** 1. Дисковая проволочная щетка

Установка головки для вырезания отверстий

Дополнительные принадлежности

Положите инструмент в перевернутом положении для облегчения доступа к шпинделю. Снимите все насадки со шпинделя. Наверните на шпиндель головку для вырезания отверстий и затяните ее гаечным ключом из комплекта.

- **Рис.24:** 1. Головка для вырезания отверстий

Установка кожуха шлифовального диска с пылеотводом

Дополнительные принадлежности

При использовании дополнительных приспособлений данный инструмент можно использовать для шлифовки бетонных поверхностей.

⚠ВНИМАНИЕ: Защитный кожух с патрубком для удаления пыли для несоосного алмазного диска предназначен только для шлифовки бетонных поверхностей с помощью несоосного алмазного диска. Запрещено использовать этот кожух с другими приспособлениями для резки или для других целей.

⚠ВНИМАНИЕ: Перед эксплуатацией убедитесь, что пылесос подсоединен к инструменту и включен.

Положите инструмент в перевернутом положении и установите кожух диска с пылеотводом. Закрепите внутренний фланец на шпинделе. Установите алмазный чашеобразный диск на внутренний фланец и затяните контргайку на шпинделе.

- **Рис.25:** 1. Контргайка 2. Алмазный чашеобразный диск 3. Алмазный чашеобразный диск со втулкой 4. Внутренний фланец 5. Кожух шлифовального диска с пылеотводом 6. Вкладыш подшипника

ПРИМЕЧАНИЕ: Информацию по установке кожуха диска с пылеотводом см. в руководстве к кожуху диска с пылеотводом.

Установка кожуха отрезного диска с пылеотводом

Дополнительные принадлежности

Применяя дополнительные принадлежности, данный инструмент можно использовать для резки каменных материалов.

► Рис.26

ПРИМЕЧАНИЕ: Информацию по установке кожуха диска с пылеотводом см. в руководстве к кожуху диска с пылеотводом.

Подключение пылесоса

Дополнительные принадлежности

▲ОСТОРОЖНО: Не используйте пылесос для удаления металлических частиц, образовавшихся в результате шлифования/резки/зачистки. Металлические частицы, образованные в результате таких операций, настолько горячие, что от них может произойти возгорание пыли и фильтра внутри пылесоса.

Чтобы избежать высокой запыленности, образующейся в результате резки каменной кладки, используйте кожух шлифовального диска с пылеотводом и пылесос.

См. руководство по сборке и эксплуатации, прилагаемое к кожуху шлифовального диска с пылеотводом.

► Рис.27: 1. Кожух шлифовального диска с пылеотводом 2. Шланг пылесоса

Установка или снятие пылезащитной крышки

Дополнительные принадлежности

▲ВНИМАНИЕ: Перед установкой или снятием пылезащитной крышки убедитесь в том, что инструмент выключен, а вилка шнура электропитания извлечена из розетки. В противном случае можно повредить инструмент или получить травму.

Установите пылезащитную крышку в каждое указанное положение.

Подробную информацию см. в руководстве по эксплуатации пылезащитной крышки.

ПРИМЕЧАНИЕ: При засорении пылезащитной крышки пылью или посторонними веществами очистите ее. Продолжение работы с засоренной пылезащитной крышкой приведет к повреждению инструмента.

ЭКСПЛУАТАЦИЯ

▲ОСТОРОЖНО: Никогда не прилагайте к инструменту чрезмерные усилия. Вес инструмента обеспечивает достаточное давление. Чрезмерное усилие и давление могут привести к опасному разрушению диска.

▲ОСТОРОЖНО: ОБЯЗАТЕЛЬНО замените диск, если при шлифовании инструмент упал.

▲ОСТОРОЖНО: ЗАПРЕЩАЕТСЯ стучать и бить диском по обрабатываемой детали.

▲ОСТОРОЖНО: Избегайте подпрыгивания и зацепления диска, особенно при обработке углов, острых краев и т. д. Это может привести к потере контроля и отдаче.

▲ОСТОРОЖНО: Запрещается использовать инструмент с полотнами для обработки дерева или другими пыльными дисками. При использовании на шлифмашине такие диски часто выскакивают, выходят из-под контроля и приводят к травмам.

▲ОСТОРОЖНО: Продолжительное использование изношенного диска может привести к его разрушению и серьезной травме.

▲ВНИМАНИЕ: Запрещается включать инструмент, если он касается обрабатываемого изделия. Это может стать причиной травмы оператора.

▲ВНИМАНИЕ: Во время выполнения операции всегда надевайте защитные очки или защитную маску.

▲ВНИМАНИЕ: После работы всегда отключайте инструмент и дождитесь полной остановки диска перед тем, как положить инструмент.

▲ВНИМАНИЕ: ВСЕГДА крепко держите инструмент, положив одну руку на корпус, а вторую - на боковую ручку (рукоятку).

ПРИМЕЧАНИЕ: Диск двойного назначения может использоваться как для шлифования, так и для резки.

Информация об операциях шлифовки представлена в разделе "Выполнение работ с диском/кругом", а информация об операциях резки – в разделе "Выполнение работ с абразивным отрезным / алмазным диском".

Выполнение работ с диском / кругом

► Рис.28

Включите инструмент, а затем прижмите диск или круг к обрабатываемой детали.

Обычно следует держать край диска или круга под углом около 15 градусов относительно поверхности обрабатываемой детали.

В период приработки нового диска не перемещайте шлифмашину вперед, поскольку диск может врезаться в обрабатываемую деталь. После того как кромка диска закружится от использования, можно будет перемещать его в обоих направлениях (вперед и назад).

Выполнение работ с абразивным отрезным/алмазным диском

Дополнительные принадлежности

▲ОСТОРОЖНО: Не “заклинивайте” диск и не оказывайте на него чрезмерное давление. Не пытайтесь делать слишком глубокий разрез. Чрезмерное давление на диск увеличивает нагрузку и вероятность искривления или застревания диска в прорези, а также возможность отдачи, поломки диска и перегрева электродвигателя.

▲ОСТОРОЖНО: Не запускайте отрезной диск, пока он находится в детали. Дайте диску раскрутиться до максимальной скорости, а затем осторожно введите в разрез, перемещая инструмент вперед по поверхности обрабатываемой детали. Диск может застрять, отдача может отбросить его вверх или назад, если запустить электроинструмент, когда диск находится в детали.

▲ОСТОРОЖНО: Во время операций резания нельзя менять угол наклона диска. Боковое давление на отрезной диск (как при шлифовке) приводит к растрескиванию и разрушению диска, в результате чего возможны серьезные травмы.

▲ОСТОРОЖНО: Работы с алмазным диском необходимо выполнять, удерживая его перпендикулярно рабочей поверхности.

Пример использования: работа с абразивным отрезным диском

► Рис.29

Пример использования: работа с алмазным диском

► Рис.30

Операции с чашечной проволочной щеткой

Дополнительные принадлежности

▲ВНИМАНИЕ: Проверьте работу щетки, запустив инструмент на холостом ходу, предварительно убедившись, что никто не находится перед ним или на одной линии со щеткой.

Пример использования: работа с чашечной проволочной щеткой

► Рис.31

ПРИМЕЧАНИЕ: Не прикладывайте слишком большое давление, так как оно может привести к тому, что проволока погнется во время использования щетки. Это может стать причиной преждевременной поломки.

Работа с дисковой проволочной щеткой

Дополнительные принадлежности

▲ВНИМАНИЕ: Проверьте работу дисковой проволочной щетки, запустив инструмент на холостом ходу и предварительно убедившись, что никто не находится перед ним или на одной линии с дисковой проволочной щеткой.

Пример использования: работа с дисковой проволочной щеткой

► Рис.32

ПРИМЕЧАНИЕ: Не прикладывайте слишком большое давление, так как оно может привести к тому, что проволока погнется во время использования дисковой проволочной щетки. Это может стать причиной преждевременной поломки.

Работа с головкой для вырезания отверстий

Дополнительные принадлежности

▲ВНИМАНИЕ: Проверьте работу головки для вырезания отверстий, запустив инструмент на холостом ходу, предварительно убедившись в том, что никто не находится перед ним или на одной линии с головкой для вырезания отверстий.

ПРИМЕЧАНИЕ: Не наклоняйте инструмент во время работы. Это может привести к преждевременной поломке.

Пример использования: применение головки для вырезания отверстий

► Рис.33

ОБСЛУЖИВАНИЕ

▲ВНИМАНИЕ: Перед проверкой или проведением техобслуживания убедитесь, что инструмент выключен, а штекер отсоединен от розетки.

ПРИМЕЧАНИЕ: Запрещается использовать бензин, растворители, спирт и другие подобные жидкости. Это может привести к обезжелезиванию, деформации и трещинам.

Для обеспечения БЕЗОПАСНОСТИ и НАДЕЖНОСТИ обслуживания ремонт, любое другое техобслуживание или регулировку необходимо производить в уполномоченных сервис-центрах Makita или сервис-центрах предприятия с использованием только сменных частей производства Makita.

Очистка вентиляционного отверстия

Инструмент и его вентиляционные отверстия должны содержаться в чистоте. Производите регулярную очистку вентиляционных отверстий инструмента или очищайте их в случае засорения.

► Рис.34: 1. Вытяжное отверстие 2. Впускное вентиляционное отверстие

СОЧЕТАНИЕ СФЕР ПРИМЕНЕНИЯ И ПРИНАДЛЕЖНОСТЕЙ

Дополнительная принадлежность

▲ВНИМАНИЕ: Использование инструмента с неправильно подобранными кожухами может приводить к возникновению следующих рисков.

- При использовании кожуха отрезного диска для поверхностного шлифования кожух диска может цепляться за обрабатываемую деталь, ухудшая контроль над инструментом.
- При использовании кожуха шлифовального диска для операций резки с шлифовальными кругами с абразивом на связке и алмазными кругами существует повышенный риск соприкосновения с вращающимися кругами, а также попадания разлетающихся искр и частиц или фрагментов круга в случае его разрыва.
- При использовании кожуха отрезного диска или кожуха шлифовального диска для поверхностных операций с алмазными чашеобразными дисками кожух диска может цепляться за обрабатываемую деталь, ухудшая контроль над инструментом.
- При использовании кожуха отрезного диска или кожуха шлифовального диска с проволочной щеткой дискового типа толщиной, превышающей максимальное значение, указанное в разделе "ТЕХНИЧЕСКИЕ ХАРАКТЕРИСТИКИ", проволока может цепляться за кожух, что приводит к ее разламыванию.
- Использование кожухов с пылеотводом для дисков, применяемых в целях резки и поверхностной обработки бетона или камня, снижает риск попадания пыли на оператора.
- При использовании дисков двойного назначения (с комбинированным абразивом для шлифования и резки) с фланцевым креплением используйте только кожух для отрезного диска.

► Рис.35

Только для модели GA4590 / GA4592 / GA5090 / GA5092

-	Сфера применения	Модель 115 мм (4-1/2 дюйма)	Модель 125 мм (5 дюймов)
1	-	Боковая ручка	
2	-	Кожух диска (для шлифовального диска)	
3	-	Внутренний фланец / суперфланец *1*2	
4	Шлифование / обработка наждачной бумагой	Диск с утопленным центром / откидной круг	
5	-	Контргайка	
6	-	Гайка Ezynut *1*2	
7	-	Вспомогательная подушка	
8	Шлифование / обработка наждачной бумагой	Гибкий диск	
9	-	Резиновая подушка 100	Резиновая подушка 115
10	Обработка наждачной бумагой	Абразивный круг	
11	-	Шлифовальная контргайка	
12	Очистка проволочной щеткой	Дисковая проволочная щетка	
13	Очистка проволочной щеткой	Чашечная проволочная щетка	
14	Вырезание отверстий	Головка для вырезания отверстий	
15	-	Кожух диска (для отрезного диска)	
16	Резка	Абразивный отрезной диск / алмазный диск	
17	Шлифование / резка	Диск двойного назначения	
18	-	Пристежная насадка на кожух отрезного диска *3	
19	-	Кожух с пылеотводом для отрезного диска	
20	Резка	Алмазный диск	
21	-	Кожух шлифовального диска с пылеотводом, для шлифования	
22	Шлифование	Алмазный чашеобразный диск	
-	-	Ключ для контргайки	
-	-	Пылезащитная крышка	

	Сфера применения	Модель 115 мм (4-1/2 дюйма)	Модель 125 мм (5 дюймов)
1	-	Боковая ручка	
2	-	Кожух диска (для шлифовального диска)	
3	-	Внутренний фланец	
4	Шлифование / обработка наждачной бумагой	Диск с утолщенным центром / откидной круг	
5	-	Контргайка	
6	-	Гайка Ezynut *1*2	
7	-	Вспомогательная подушка	
8	Шлифование / обработка наждачной бумагой	Гибкий диск	
9	-	Резиновая подушка 100	Резиновая подушка 115
10	Обработка наждачной бумагой	Абразивный круг	
11	-	Шлифовальная контргайка	
12	Очистка проволочной щеткой	Дисковая проволочная щетка	
13	Очистка проволочной щеткой	Чашечная проволочная щетка	
14	Вырезание отверстий	Головка для вырезания отверстий	
15	-	Кожух диска (для отрезного диска)	
16	Резка	Абразивный отрезной диск / алмазный диск	
17	Шлифование / резка	Диск двойного назначения	
18	-	Пристегивная насадка на кожух отрезного диска *3	
19	-	Кожух с пылеотводом для отрезного диска	
20	Резка	Алмазный диск	
21	-	Кожух шлифовального диска с пылеотводом, для шлифования	
22	Шлифование	Алмазный чашеобразный диск	
-	-	Ключ для контргайки	
-	-	Пылезащитная крышка	

ПРИМЕЧАНИЕ: *1 Не используйте суперфланец вместе с гайкой Ezynut.

ПРИМЕЧАНИЕ: *2 Только для инструментов с резьбой шпинделя M14.

ПРИМЕЧАНИЕ: *3 В некоторых странах пристегивная насадка на кожух отрезного диска не предлагается. Более подробную информацию см. в руководстве по эксплуатации пристегивной насадки на кожух отрезного диска.

ПРИМЕЧАНИЕ: Не используйте суперфланец с шлифовальной машиной, оснащенной функцией торможения.

ДОПОЛНИТЕЛЬНЫЕ ПРИНАДЛЕЖНОСТИ

⚠ВНИМАНИЕ: Данные принадлежности или приспособления рекомендуются для использования с инструментом Makita, указанным в настоящем руководстве. Использование других принадлежностей или приспособлений может привести к получению травмы. Используйте принадлежность или приспособление только по указанному назначению.

Если вам необходимо содействие в получении дополнительной информации по этим принадлежностям, свяжитесь с вашим сервис-центром Makita.

- Список принадлежностей приведен в разделе "СОЧЕТАНИЕ СФЕР ПРИМЕНЕНИЯ И ПРИНАДЛЕЖНОСТЕЙ"

ПРИМЕЧАНИЕ: Некоторые элементы списка могут входить в комплект инструмента в качестве стандартных приспособлений. Они могут отличаться в зависимости от страны.







Makita Europe N.V. Jan-Baptist Vinkstraat 2,
3070 Kortenberg, Belgium

Makita Corporation 3-11-8, Sumiyoshi-cho,
Anjo, Aichi 446-8502 Japan

www.makita.com

885975A987 EN, SV, NO, FI, DA, LV, LT, ET, RU 20220303
