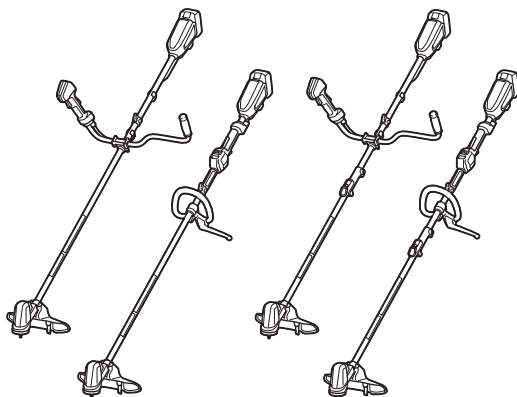
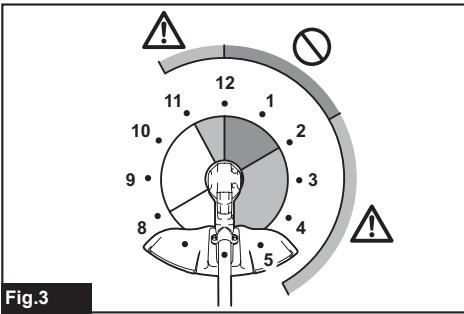
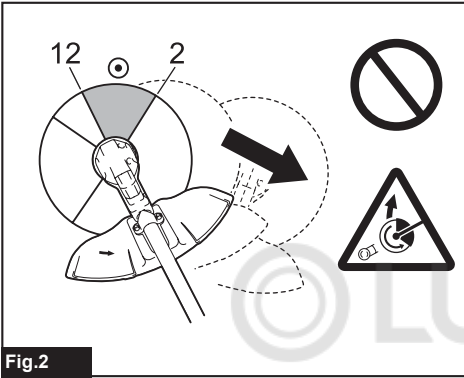
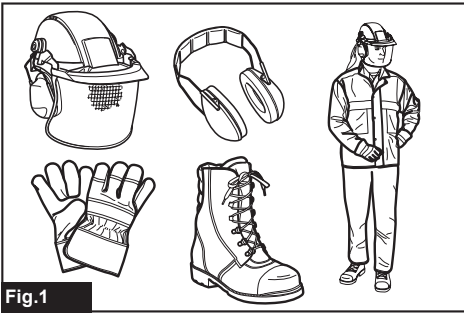




EN	Cordless Grass Trimmer	INSTRUCTION MANUAL	11
SV	Batteridrivnen grästrimmer	BRUKSANVISNING	24
NO	Batteridrevet gresstrimmer	BRUKSANVISNING	37
FI	Akkukäyttöinen viimeistelyleikkuri	KÄYTTÖOHJE	50
LV	Bezvada zāles apgriezējmašīna	LIETOŠANAS INSTRUKCIJA	63
LT	Belaidė žoliapjovė	NAUDOJIMO INSTRUKCIJA	76
ET	Akuga murutrimmer	KASUTUSJUHEND	89
RU	Аккумуляторная коса	РУКОВОДСТВО ПО ЭКСПЛУАТАЦИИ	102

DUR190U
DUR190L
DUR191U
DUR191L





DUR190L
DUR191L

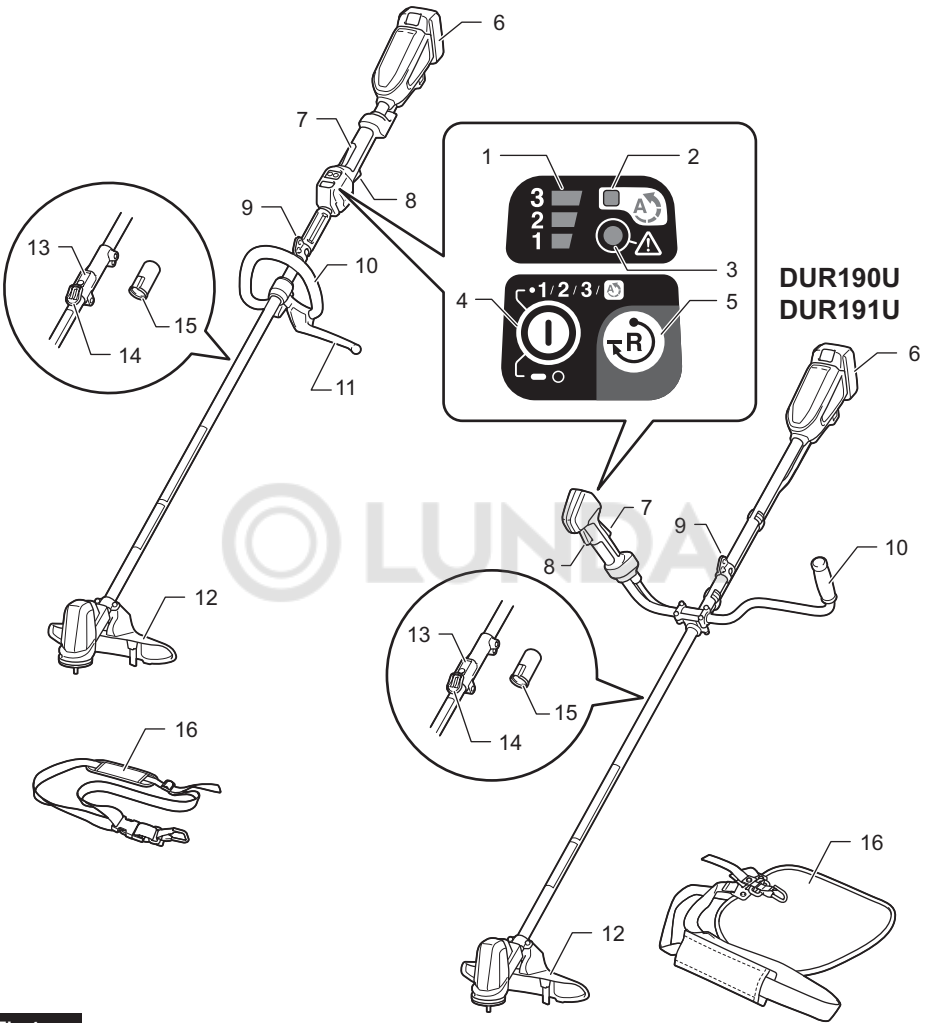


Fig.4

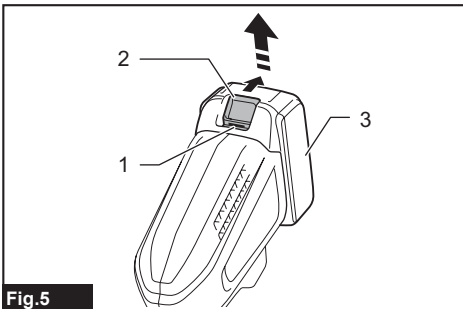


Fig.5

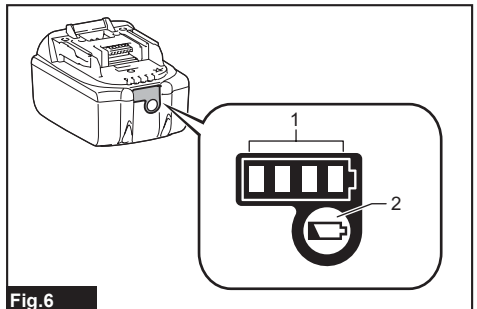
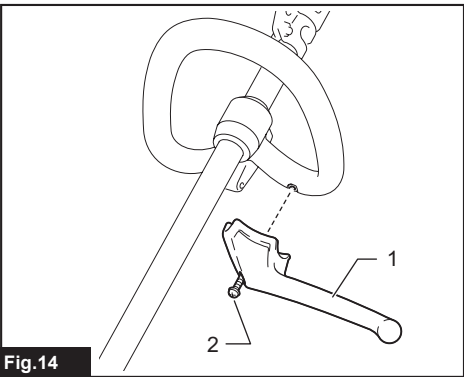
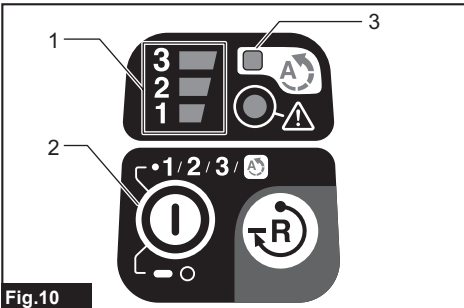
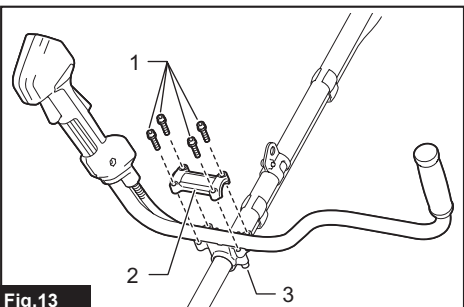
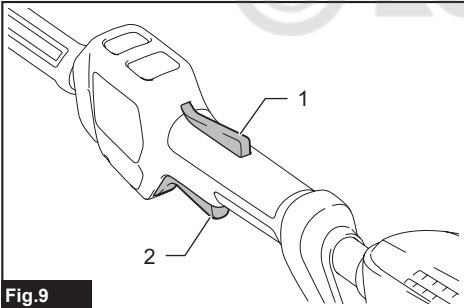
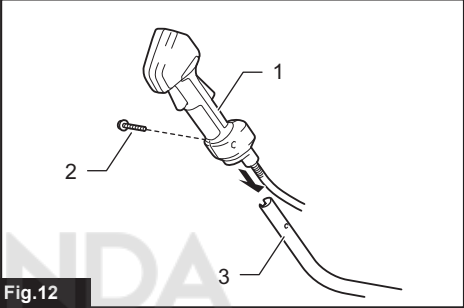
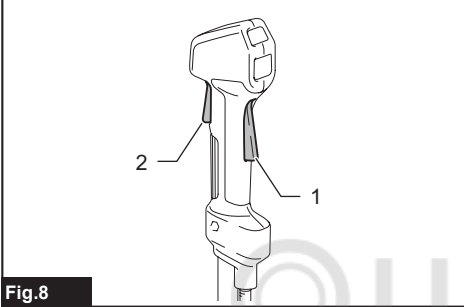
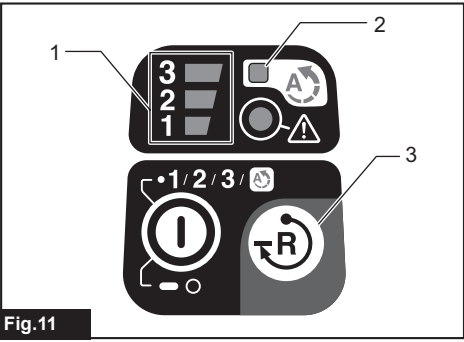
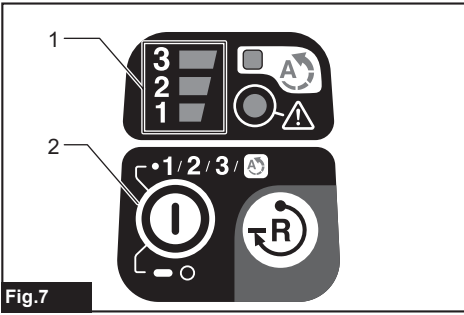
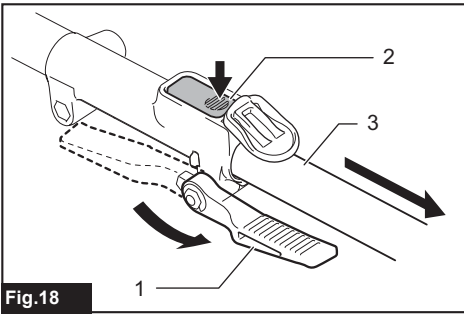
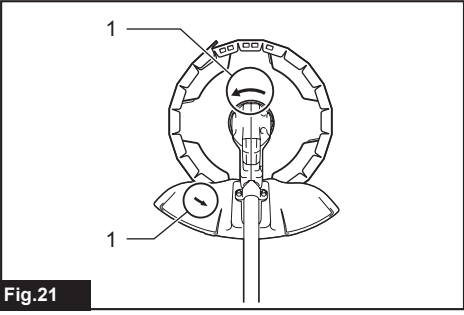
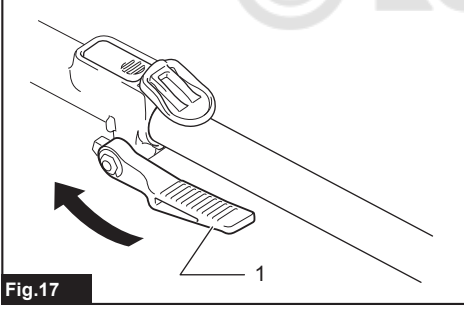
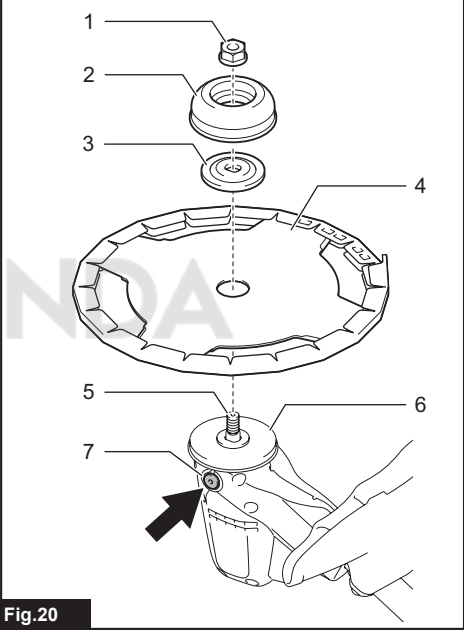
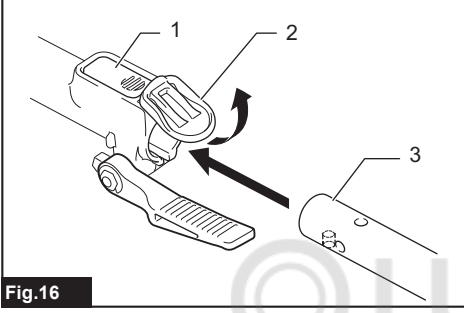
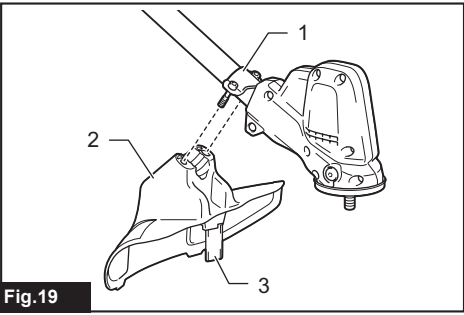
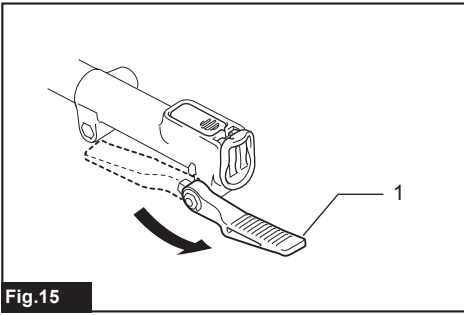


Fig.6





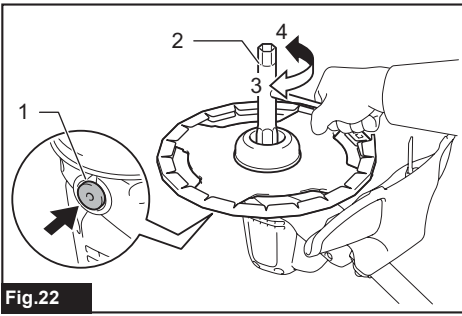


Fig.22

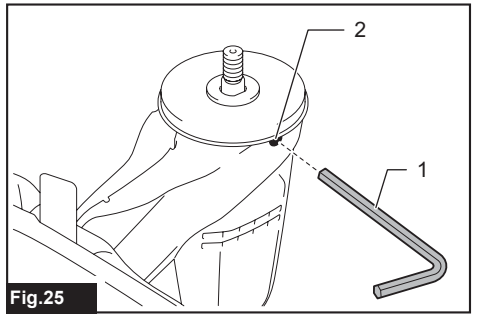


Fig.25

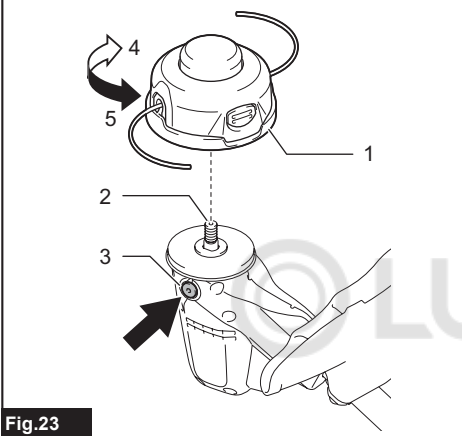


Fig.23

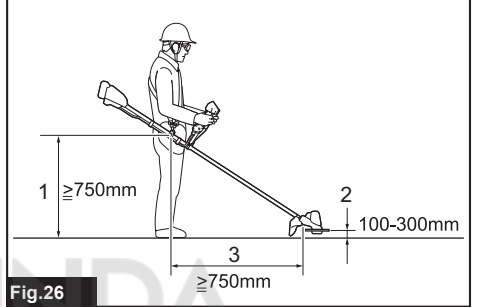


Fig.26

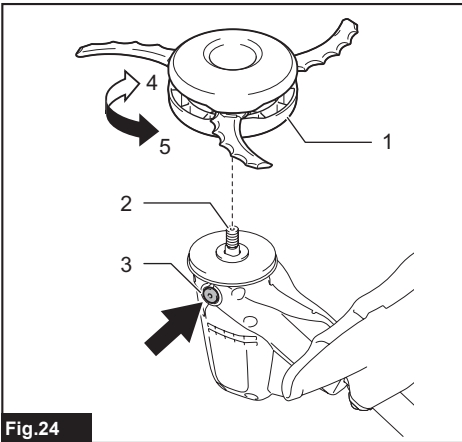


Fig.24

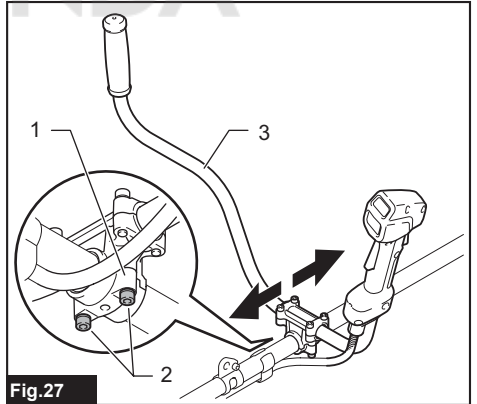


Fig.27

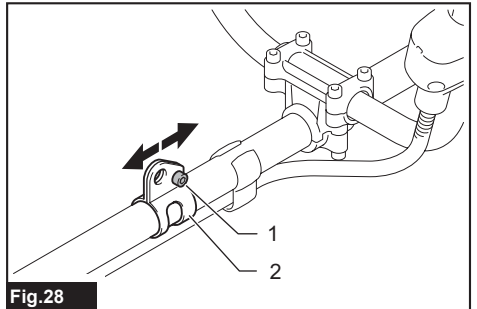
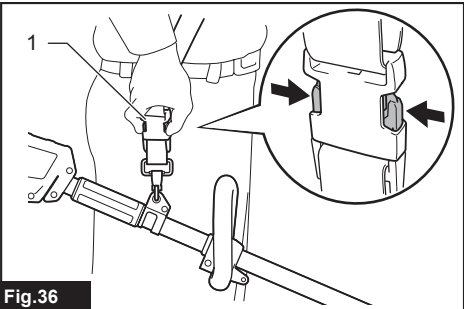
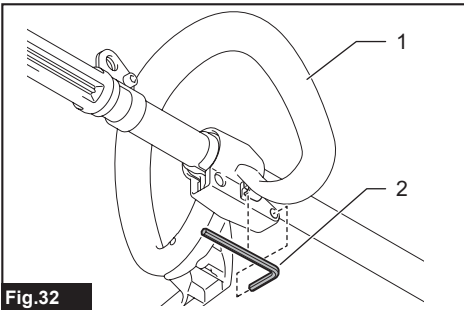
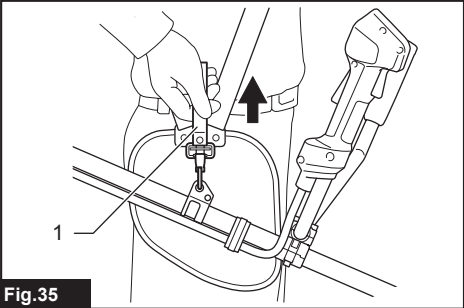
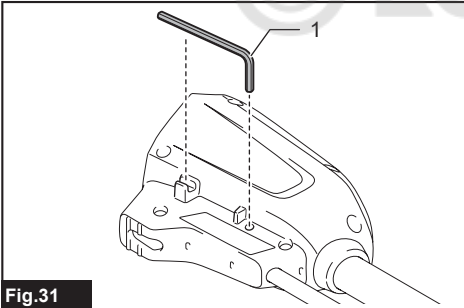
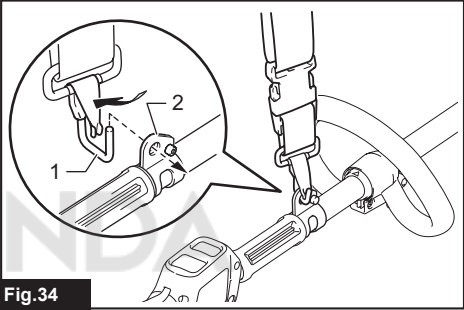
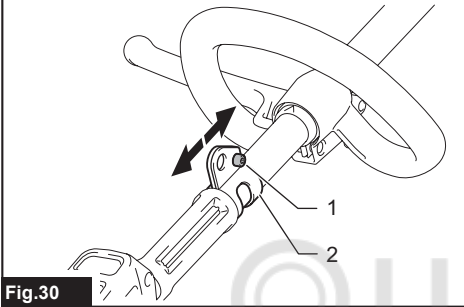
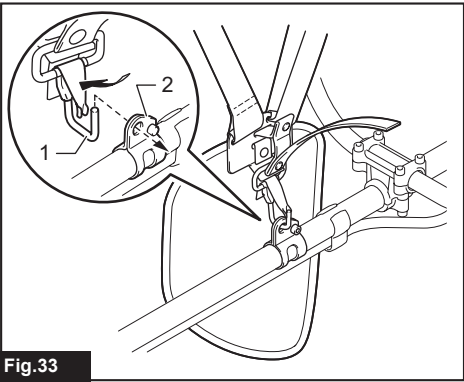
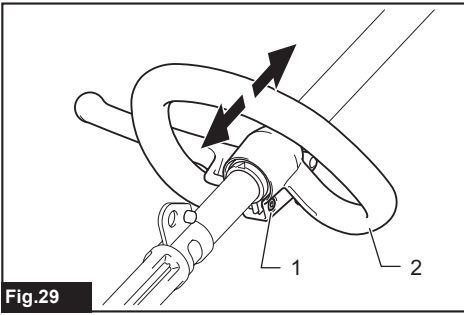


Fig.28



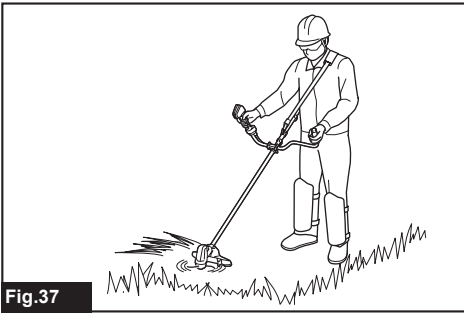


Fig.37

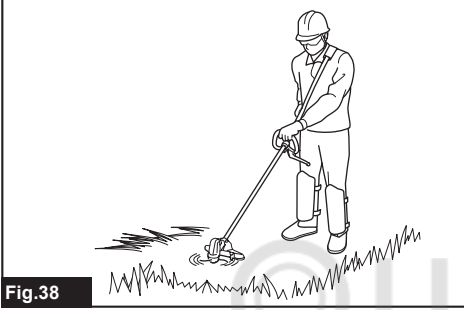


Fig.38

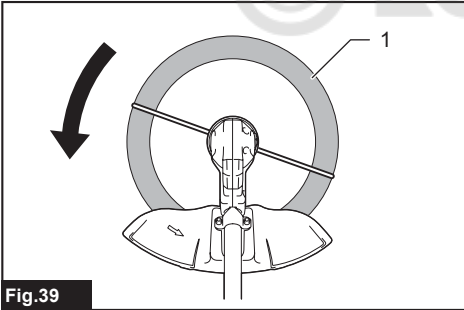


Fig.39

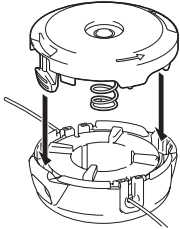
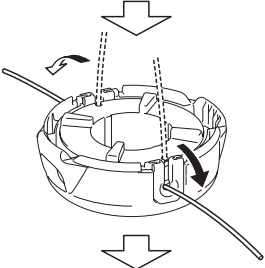
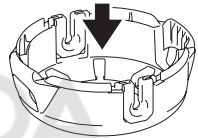
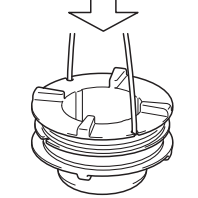
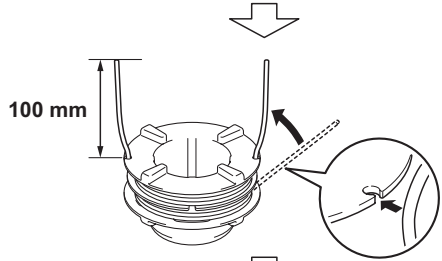
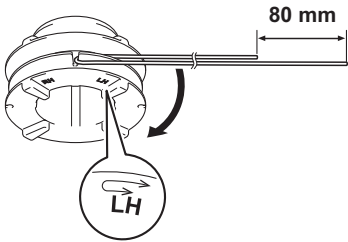
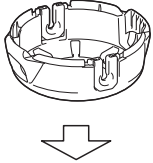
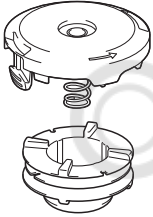
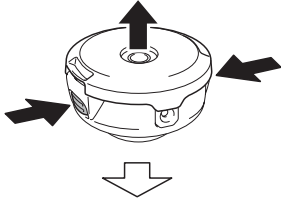
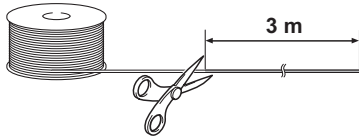


Fig.40

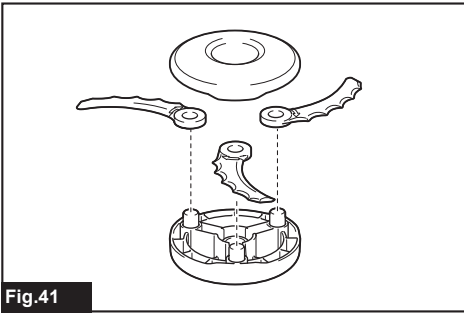


Fig.41

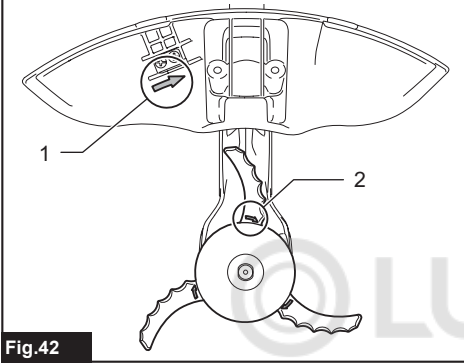


Fig.42

SPECIFICATIONS

Model:		DUR190U	DUR190L	DUR191U	DUR191L
Type of handle		Bike handle	Loop handle	Bike handle	Loop handle
No load speed		3: 6.000 min ⁻¹ 2: 5.100 min ⁻¹ 1: 3.500 min ⁻¹			
Overall length (without cutting tool)		1,775 mm			
Nylon cord diameter		2.0 - 2.4 mm			
Applicable cutting tool and cutting diameter	3-tooth blade (P/N 191J34-5)	230 mm			
	4-tooth blade (P/N 729025-2)	230 mm			
	Nylon cutting head (P/N 126674-0)	300 mm			
	Plastic blade (P/N 126642-3)	230 mm			
Rated voltage		D.C. 18 V			
Net weight		3.1 - 3.4 kg	2.9 - 3.2 kg	3.4 - 3.7 kg	3.2 - 3.5 kg

- Due to our continuing program of research and development, the specifications herein are subject to change without notice.
- Specifications may differ from country to country.
- The weight may differ depending on the attachment(s), including the battery cartridge. The lightest and heaviest combination, according to EPTA-Procedure 01/2014, are shown in the table.

Applicable battery cartridge and charger

Battery cartridge	BL1815N / BL1820 / BL1820B / BL1830 / BL1830B / BL1840 / BL1840B / BL1850 / BL1850B / BL1860B
Charger	DC18RC / DC18RD / DC18RE / DC18SD / DC18SE / DC18SF / DC18SH

- Some of the battery cartridges and chargers listed above may not be available depending on your region of residence.

⚠ WARNING: Only use the battery cartridges and chargers listed above. Use of any other battery cartridges and chargers may cause injury and/or fire.

Recommended battery adapter

Battery adapter	PDC01
-----------------	-------

- The battery adapter(s) listed above may not be available depending on your region of residence.
- Before using the battery adapter, read instruction and cautionary markings on the battery adapter.

Noise

Model DUR190U

Cutting tool	Sound pressure level (L_{pA}) dB(A)		Sound power level (L_{WA}) dB(A)		Applicable standard
	L_{pA} dB(A)	Uncer- tainty (K) dB(A)	L_{WA} dB(A)	Uncer- tainty (K) dB(A)	
4-tooth blade	77.0	3.9	91.6	2.4	ISO22868 (ISO11806-1)
Nylon cutting head	74.0	1.9	87.1	0.9	ISO22868 (ISO11806-1)/ EN50636-2-91
Plastic blade	75.6	1.3	85.9	2.1	ISO22868 (ISO11806-1)/ EN50636-2-91

Model DUR190L

Cutting tool	Sound pressure level (L_{pA}) dB(A)		Sound power level (L_{WA}) dB(A)		Applicable standard
	L_{pA} dB(A)	Uncer- tainty (K) dB(A)	L_{WA} dB(A)	Uncer- tainty (K) dB(A)	
4-tooth blade	77.0	3.9	91.6	2.4	ISO22868 (ISO11806-1)
Nylon cutting head	74.0	1.9	87.1	0.9	ISO22868 (ISO11806-1)/ EN50636-2-91
Plastic blade	75.6	1.3	85.9	2.1	ISO22868 (ISO11806-1)/ EN50636-2-91

Model DUR191U

Cutting tool	Sound pressure level (L_{pA}) dB(A)		Sound power level (L_{WA}) dB(A)		Applicable standard
	L_{pA} dB(A)	Uncer- tainty (K) dB(A)	L_{WA} dB(A)	Uncer- tainty (K) dB(A)	
4-tooth blade	77.0	3.9	91.6	2.4	ISO22868 (ISO11806-1)
Nylon cutting head	74.0	1.9	87.1	0.9	ISO22868 (ISO11806-1)/ EN50636-2-91
Plastic blade	75.6	1.3	85.9	2.1	ISO22868 (ISO11806-1)/ EN50636-2-91

Model DUR191L

Cutting tool	Sound pressure level (L_{pA}) dB(A)		Sound power level (L_{WA}) dB(A)		Applicable standard
	L_{pA} dB(A)	Uncer- tainty (K) dB(A)	L_{WA} dB(A)	Uncer- tainty (K) dB(A)	
4-tooth blade	77.0	3.9	91.6	2.4	ISO22868 (ISO11806-1)
Nylon cutting head	74.0	1.9	87.1	0.9	ISO22868 (ISO11806-1)/ EN50636-2-91
Plastic blade	75.6	1.3	85.9	2.1	ISO22868 (ISO11806-1)/ EN50636-2-91

- Even if the sound pressure level listed above is 80 dB (A) or less, the level under working may exceed 80 dB (A). Wear ear protection.

NOTE: The declared noise emission value(s) has been measured in accordance with a standard test method and may be used for comparing one tool with another.

NOTE: The declared noise emission value(s) may also be used in a preliminary assessment of exposure.

⚠ WARNING: Wear ear protection.

⚠ WARNING: The noise emission during actual use of the power tool can differ from the declared value(s) depending on the ways in which the tool is used especially what kind of workpiece is processed.

⚠ WARNING: Be sure to identify safety measures to protect the operator that are based on an estimation of exposure in the actual conditions of use (taking account of all parts of the operating cycle such as the times when the tool is switched off and when it is running idle in addition to the trigger time).

Vibration

Model DUR190U

Cutting tool	Left hand		Right hand		Applicable standard
	$a_{h,w}$ (m/s ²)	Uncertainty K (m/s ²)	$a_{h,w}$ (m/s ²)	Uncertainty K (m/s ²)	
4-tooth blade	≤ 2.5	1.5	≤ 2.5	1.5	ISO22867 (ISO11806-1)
Nylon cutting head	≤ 2.5	1.5	≤ 2.5	1.5	ISO22867 (ISO11806-1)
Plastic blade	≤ 2.5	1.5	≤ 2.5	1.5	ISO22867 (ISO11806-1)

Model DUR190L

Cutting tool	Left hand		Right hand		Applicable standard
	$a_{h,w}$ (m/s ²)	Uncertainty K (m/s ²)	$a_{h,w}$ (m/s ²)	Uncertainty K (m/s ²)	
4-tooth blade	≤ 2.5	1.5	≤ 2.5	1.5	ISO22867 (ISO11806-1)
Nylon cutting head	≤ 2.5	1.5	≤ 2.5	1.5	ISO22867 (ISO11806-1)
Plastic blade	≤ 2.5	1.5	≤ 2.5	1.5	ISO22867 (ISO11806-1)

Model DUR191U

Cutting tool	Left hand		Right hand		Applicable standard
	$a_{h,w}$ (m/s ²)	Uncertainty K (m/s ²)	$a_{h,w}$ (m/s ²)	Uncertainty K (m/s ²)	
4-tooth blade	≤ 2.5	1.5	≤ 2.5	1.5	ISO22867 (ISO11806-1)
Nylon cutting head	≤ 2.5	1.5	≤ 2.5	1.5	ISO22867 (ISO11806-1)
Plastic blade	≤ 2.5	1.5	≤ 2.5	1.5	ISO22867 (ISO11806-1)

Model DUR191L

Cutting tool	Left hand		Right hand		Applicable standard
	$a_{h,w}$ (m/s ²)	Uncertainty K (m/s ²)	$a_{h,w}$ (m/s ²)	Uncertainty K (m/s ²)	
4-tooth blade	≤ 2.5	1.5	≤ 2.5	1.5	ISO22867 (ISO11806-1)
Nylon cutting head	≤ 2.5	1.5	≤ 2.5	1.5	ISO22867 (ISO11806-1)
Plastic blade	≤ 2.5	1.5	≤ 2.5	1.5	ISO22867 (ISO11806-1)

NOTE: The declared vibration total value(s) has been measured in accordance with a standard test method and may be used for comparing one tool with another.



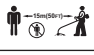







NOTE: The declared vibration total value(s) may also be used in a preliminary assessment of exposure.

⚠ WARNING: The vibration emission during actual use of the power tool can differ from the declared value(s) depending on the ways in which the tool is used especially what kind of workpiece is processed.

⚠ WARNING: Be sure to identify safety measures to protect the operator that are based on an estimation of exposure in the actual conditions of use (taking account of all parts of the operating cycle such as the times when the tool is switched off and when it is running idle in addition to the trigger time).

Symbols

The followings show the symbols used for the equipment. Be sure that you understand their meaning before use.

	Take particular care and attention.
	Read instruction manual.
	Keep distance at least 15 m.
	Danger; be aware of thrown objects.
	Caution; kickback
	Wear a helmet, goggles and ear protection.
	Wear protective gloves.
	Wear sturdy boots with nonslip soles. Steeltoed safety boots are recommended.
	Do not expose to moisture.
	Ni-MH Li-Ion Only for EU countries Do not dispose of electric equipment or battery pack together with household waste material! In observance of the European Directives, on Waste Electric and Electronic Equipment and Batteries and Accumulators and Waste Batteries and Accumulators and their implementation in accordance with national laws, electric equipment and batteries and battery pack(s) that have reached the end of their life must be collected separately and returned to an environmentally compatible recycling facility.

EC Declaration of Conformity

For European countries only

The EC declaration of conformity is included as Annex A to this instruction manual.

SAFETY WARNINGS

General power tool safety warnings

⚠ WARNING: Read all safety warnings, instructions, illustrations and specifications provided with this power tool. Failure to follow all instructions listed below may result in electric shock, fire and/or serious injury.

Save all warnings and instructions for future reference.

The term "power tool" in the warnings refers to your mains-operated (corded) power tool or battery-operated (cordless) power tool.

Important safety instructions for the tool

⚠ WARNING: Read all safety warnings and all instructions. Failure to follow the warnings and instructions may result in electric shock, fire and/or serious injury.

Save all warnings and instructions for future reference.

Intended use

1. This tool is only intended for cutting grass, weeds, bushes and undergrowth. It should not be used for any other purpose such as edging or hedge cutting as this may cause injury.

General instructions

1. Never allow people unfamiliar with these instructions, people (including children) with reduced physical, sensory or mental capabilities, or lack of experience and knowledge to use the tool. Children should be supervised to ensure that they do not play with the tool.
2. Before starting the tool, read this instruction manual to become familiar with the handling of the tool.
3. Do not lend the tool to a person with insufficient experience or knowledge regarding handling of brushcutters and string trimmers.
4. When lending the tool, always attach this instruction manual.
5. Handle the tool with the utmost care and attention.
6. Never use the tool after consuming alcohol or drugs, or if feeling tired or ill.
7. Never attempt to modify the tool.
8. Follow the regulations about handling of brushcutters and string trimmers in your country.

Personal protective equipment

► Fig.1

1. Wear safety helmet, protective goggles and protective gloves to protect yourself from flying debris or falling objects.
2. Wear ear protection such as ear muffs to prevent hearing loss.

3. **Wear proper clothing and shoes for safe operation, such as a work overall and sturdy, non-slip shoes. Do not wear loose clothing or jewelry.** Loose clothes, jewelry or long hair can be caught in moving parts.
4. **When touching the cutting blade, wear protective gloves.** Cutting blades can cut bare hands severely.

Work area safety

1. **Operate the tool under good visibility and daylight conditions only. Do not operate the tool in darkness or fog.**
2. **Do not operate the tool in explosive atmospheres, such as in the presence of flammable liquids, gases or dust.** The tool creates sparks which may ignite the dust or fumes.
3. **During operation, never stand on an unstable or slippery surface or a steep slope. During the cold season, beware of ice and snow and always ensure secure footing.**
4. **During operation, keep bystanders or animals at least 15 m away from the tool. Stop the tool as soon as someone approaches.**
5. **Never operate the tool while people, especially children, or pets are nearby.**
6. **Before operation, examine the work area for stones or other solid objects.** They can be thrown or cause dangerous kickback and result in serious injury and/or property damage.
7. **⚠️WARNING: Use of this product can create dust containing chemicals which may cause respiratory or other illnesses. Some examples of these chemicals are compounds found in pesticides, insecticides, fertilizers and herbicides. Your risk from these exposures varies, depending on how often you do this type of work. To reduce your exposure to these chemicals: work in a well ventilated area, and work with approved safety equipment, such as those dust masks that are specially designed to filter out microscopic particles.**

Electrical and battery safety

1. **Do not expose the tool to rain or wet conditions.** Water entering the tool will increase the risk of electric shock.
2. **Do not use the tool if the switch does not turn it on and off.** Any tool that cannot be controlled with the switch is dangerous and must be repaired.
3. **Prevent unintentional starting. Ensure the switch is in the off-position before installing a battery pack, picking up or carrying the tool.** Carrying the tool with your finger on the switch or energising the tool that have the switch on invites accidents.
4. **Do not dispose of the battery(ies) in a fire.** The cell may explode. Check with local codes for possible special disposal instructions.
5. **Do not open or mutilate the battery(ies).** Released electrolyte is corrosive and may cause damage to the eyes or skin. It may be toxic if swallowed.
6. **Do not charge battery in rain, or in wet locations.**

Putting into operation

1. **Before assembling or adjusting the tool, remove the battery cartridge.**
2. **Before handling the cutter blade, wear protective gloves.**
3. **Before installing the battery cartridge, inspect the tool for damages, loose screws/nuts or improper assembly. Sharpen blunt cutter blade. If the cutter blade is bent or damaged, replace it. Check all control levers and switches for easy action. Clean and dry the handles.**
4. **Never attempt to switch on the tool if it is damaged or not fully assembled.** Otherwise serious injury may result.
5. **Adjust the shoulder harness and hand grip to suit the operator's body size.**
6. **When inserting a battery cartridge, keep the cutting attachment clear of your body and other object, including the ground.** It may rotate when starting and may cause injury or damage to the tool and/or property.
7. **Remove any adjusting key, wrench or blade cover before turning the tool on.** An accessory left attached to a rotating part of the tool may result in personal injury.
8. **The cutting tool has to be equipped with the guard. Never run the tool with damaged guards or without guards in place!**
9. **Make sure there are no electrical cables, water pipes, gas pipes etc. that could cause a hazard if damaged by use of the tool.**

Operation

1. **In the event of an emergency, switch off the tool immediately.**
2. **If you feel any unusual condition (e.g. noise, vibration) during operation, switch off the tool and remove the battery cartridge. Do not use the tool until the cause is recognized and solved.**
3. **The cutting attachment continues to rotate for a short period after turning the tool off. Don't rush to contact the cutting attachment.**
4. **During operation, use the shoulder harness. Keep the tool on your right side firmly.**
5. **Do not overreach. Keep proper footing and balance at all times. Watch for hidden obstacles such as tree stumps, roots and ditches to avoid stumbling.**
6. **Always be sure of your footing on slopes.**
7. **Walk, never run.**
8. **Never work on a ladder or tree to avoid loss of control.**
9. **If the tool gets heavy impact or fall, check the condition before continuing work. Check the controls and safety devices for malfunction. If there is any damage or doubt, ask our authorized service center for the inspection and repair.**
10. **Take a rest to prevent loss of control caused by fatigue.** We recommend taking a 10 to 20-minute rest every hour.

11. **When you leave the tool, even if it is a short time, always remove the battery cartridge.** The unattended tool with the battery cartridge installed may be used by unauthorized person and cause serious accident.
12. **If grass or branches get caught between the cutting attachment and guard, always turn the tool off and remove the battery cartridge before cleaning.** Otherwise the cutting attachment may rotate unintentionally and cause serious injury.
13. **Never touch moving hazardous parts before the moving hazardous parts have come to a complete stop and the battery cartridge is removed.**
14. **If the cutting attachment hits stones or other hard objects, immediately turn the tool off. Then remove the battery cartridge and inspect the cutting attachment.**
15. **Check the cutting attachment frequently during operation for cracks or damages. Before the inspection, remove the battery cartridge and wait until the cutting attachment stops completely. Replace damaged cutting attachment immediately, even if it has only superficial cracks.**
16. **Never cut above waist height.**
17. **Before starting the cutting operation, wait until the cutting attachment reaches a constant speed after turning the tool on.**
18. **When using a cutting blade, swing the tool evenly in half-circle from right to left, like using a scythe.**
19. **Hold the tool by insulated gripping surfaces only, because the cutter blade may contact hidden wiring. Cutter blades contacting a "live" wire may make exposed metal parts of the tool "live" and could give the operator an electric shock.**
20. **Do not start the tool when the cutting tool is tangled with cut grass.**
21. **Before starting the tool, be sure that the cutting tool is not touching the ground and other obstacles such as a tree.**
22. **During operation always hold the tool with both hands. Never hold the tool with one hand during use.**
23. **Do not operate the tool in bad weather or if there is a risk of lightning.**

Cutting tools

1. **Do not use a cutting tool which is not recommended by us.**
2. **Use an applicable cutting attachment for the job in hand.**
 - Nylon cutting heads (string trimmer heads) and plastic blades are suitable for trimming lawn grass.
 - Cutting blades are suitable for cutting weeds, high grasses, bushes, shrubs, underwood, thicket, and the like.
 - Never use other blades including metal multi-piece pivoting chains and flail blades. It may result in serious injury.
3. **Only use the cutting tool that are marked with a speed equal or higher than the speed marked on the tool.**

4. **Always keep your hands, face, and clothes away from the cutting tool when it is rotating.** Failure to do so may cause personal injury.
5. **Always use the cutting attachment guard properly suited for the cutting attachment used.**
6. **When using cutting blades, avoid kickback and always prepare for an accidental kickback. See the section for Kickback.**
7. **When not in use, attach the blade cover onto the blade. Remove the cover before operation.**

Kickback (Blade thrust)

1. **Kickback (blade thrust) is a sudden reaction to a caught or bound cutting blade. Once it occurs, the tool is thrown sideways or toward the operator at great force and it may cause serious injury.**
2. **Kickback occurs particularly when applying the blade segment between 12 and 2 o'clock to solids, bushes and trees with 3 cm or larger diameter.**

► Fig.2

3. **To avoid kickback:**
 1. **Apply the segment between 8 and 11 o'clock.**
 2. **Never apply the segment between 12 and 2 o'clock.**
 3. **Never apply the segment between 11 and 12 o'clock and between 2 and 5 o'clock, unless the operator is well trained and experienced and does it at his/her own risk.**
 4. **Never use cutting blades close to solids, such as fences, walls, tree trunks and stones.**
 5. **Never use cutting blades vertically, for such operations as edging and trimming hedges.**

► Fig.3

Vibration

1. **People with poor circulation who are exposed to excessive vibration may experience injury to blood vessels or the nervous system.** Vibration may cause the following symptoms to occur in the fingers, hands or wrists: "Falling asleep" (numbness), tingling, pain, stabbing sensation, alteration of skin color or of the skin. If any of these symptoms occur, see a physician!
2. **To reduce the risk of "white finger disease", keep your hands warm during operation and well maintain the tool and accessories.**

Transport

1. **Before transporting the tool, turn it off and remove the battery cartridge. Attach the cover to the cutting blade.**
2. **When transporting the tool, carry it in a horizontal position by holding the shaft.**
3. **When transporting the tool in a vehicle, properly secure it to avoid turnover. Otherwise damage to the tool and other baggage may result.**

Maintenance

1. Have your tool serviced by our authorized service center, always using only genuine replacement parts. Incorrect repair and poor maintenance can shorten the life of the tool and increase the risk of accidents.
2. Before doing any maintenance or repair work or cleaning the tool, always turn it off and remove the battery cartridge.
3. Always wear protective gloves when handling the cutting blade.
4. Always clean dust and dirt off the tool. Never use gasoline, benzene, thinner, alcohol or the like for the purpose. Discoloration, deformation or cracks of the plastic components may result.
5. After each use, tighten all screws and nuts.
6. Do not attempt any maintenance or repair not described in the instruction manual. Ask our authorized service center for such work.
7. Always use our genuine spare parts and accessories only. Using parts or accessories supplied by a third party may result in the tool breakdown, property damage and/or serious injury.
8. Request our authorized service center to inspect and maintain the tool at regular interval.
9. Always keep the tool in good working condition. Poor maintenance can result in inferior performance and shorten the life of the tool.

Storage

1. Before storing the tool, perform full cleaning and maintenance. Remove the battery cartridge. Attach the cover to the cutting blade.
2. Store the tool in a dry and high or locked location out of reach of children.
3. Do not prop the tool against something, such as a wall. Otherwise it may fall suddenly and cause an injury.

First aid

1. Always have a first-aid kit close by. Immediately replace any item taken from the first aid kit.
2. When asking for help, give the following information:
 - Place of the accident
 - What happened
 - Number of injured persons
 - Nature of the injury
 - Your name

Important safety instructions for battery cartridge

1. Before using battery cartridge, read all instructions and cautionary markings on (1) battery charger, (2) battery, and (3) product using battery.
2. Do not disassemble battery cartridge.
3. If operating time has become excessively shorter, stop operating immediately. It may result in a risk of overheating, possible burns and even an explosion.
4. If electrolyte gets into your eyes, rinse them out with clear water and seek medical attention right away. It may result in loss of your eyesight.

5. Do not short the battery cartridge:
 - (1) Do not touch the terminals with any conductive material.
 - (2) Avoid storing battery cartridge in a container with other metal objects such as nails, coins, etc.
 - (3) Do not expose battery cartridge to water or rain.

A battery short can cause a large current flow, overheating, possible burns and even a breakdown.
6. Do not store the tool and battery cartridge in locations where the temperature may reach or exceed 50 °C (122 °F).
7. Do not incinerate the battery cartridge even if it is severely damaged or is completely worn out. The battery cartridge can explode in a fire.
8. Be careful not to drop or strike battery.
9. Do not use a damaged battery.
10. The contained lithium-ion batteries are subject to the Dangerous Goods Legislation requirements. For commercial transports e.g. by third parties, forwarding agents, special requirement on packaging and labeling must be observed. For preparation of the item being shipped, consulting an expert for hazardous material is required. Please also observe possibly more detailed national regulations.

Tape or mask off open contacts and pack up the battery in such a manner that it cannot move around in the packaging.
11. When disposing the battery cartridge, remove it from the tool and dispose of it in a safe place. Follow your local regulations relating to disposal of battery.
12. Use the batteries only with the products specified by Makita. Installing the batteries to non-compliant products may result in a fire, excessive heat, explosion, or leak of electrolyte.
13. If the tool is not used for a long period of time, the battery must be removed from the tool.

SAVE THESE INSTRUCTIONS.

⚠ CAUTION: Only use genuine Makita batteries. Use of non-genuine Makita batteries, or batteries that have been altered, may result in the battery bursting causing fires, personal injury and damage. It will also void the Makita warranty for the Makita tool and charger.

Tips for maintaining maximum battery life

1. Charge the battery cartridge before completely discharged. Always stop tool operation and charge the battery cartridge when you notice less tool power.
2. Never recharge a fully charged battery cartridge. Overcharging shortens the battery service life.
3. Charge the battery cartridge with room temperature at 10 °C - 40 °C (50 °F - 104 °F). Let a hot battery cartridge cool down before charging it.
4. Charge the battery cartridge if you do not use it for a long period (more than six months).

PARTS DESCRIPTION

► Fig.4

1	Speed indicator	2	ADT indicator (ADT = Automatic Torque Drive Technology)	3	Caution lamp	4	Main power button
5	Reverse button	6	Battery cartridge	7	Lock-off lever	8	Switch trigger
9	Hanger	10	Handle	11	Barrier (country specific)	12	Protector
13	Lock lever (DUR191U and DUR191L only)	14	Joint cover (DUR191U and DUR191L only)	15	Cap (DUR191U and DUR191L only)	16	Shoulder harness

FUNCTIONAL DESCRIPTION

⚠ WARNING: Always be sure that the tool is switched off and the battery cartridge is removed before adjusting or checking function on the tool. Failure to switch off and remove the battery cartridge may result in serious personal injury from accidental start-up.

Installing or removing battery cartridge

⚠ CAUTION: Always switch off the tool before installing or removing of the battery cartridge.

⚠ CAUTION: Hold the tool and the battery cartridge firmly when installing or removing battery cartridge. Failure to hold the tool and the battery cartridge firmly may cause them to slip off your hands and result in damage to the tool and battery cartridge and a personal injury.

► Fig.5: 1. Red indicator 2. Button 3. Battery cartridge

To remove the battery cartridge, slide it from the tool while sliding the button on the front of the cartridge.

To install the battery cartridge, align the tongue on the battery cartridge with the groove in the housing and slip it into place. Insert it all the way until it locks in place with a little click. If you can see the red indicator on the upper side of the button, it is not locked completely.

⚠ CAUTION: Always install the battery cartridge fully until the red indicator cannot be seen. If not, it may accidentally fall out of the tool, causing injury to you or someone around you.

⚠ CAUTION: Do not install the battery cartridge forcibly. If the cartridge does not slide in easily, it is not being inserted correctly.

Tool / battery protection system

The tool is equipped with a tool/battery protection system. This system automatically cuts off power to the motor to extend tool and battery life. The tool will automatically stop during operation if the tool is placed under one of the following conditions:

Caution lamp			Status
Color	● On	ⓘ Blinking	
Red	ⓘ		Overload
Red	●		Overheat
Red	ⓘ		Over discharge

Overload protection

If the tool gets into one of the following situation, the tool automatically stops and the caution lamp starts blinking in red:

- The tool is overloaded by entangled weeds or other debris.
- The cutting tool is locked or kicked back.
- The main power button is turned on while the switch trigger is being pulled.

In this situation, release the switch trigger and remove entangled weeds or debris if necessary. After that, pull the switch trigger again to resume.

⚠ CAUTION: If you need to remove the entangled weeds on the tool or release the locked cutting tool, be sure to turn the tool off before you start.

Overheat protection for tool or battery

If the tool or battery cartridge is overheated, the tool stops automatically. When the tool or battery cartridge is overheated, the speed indicator and ADT indicator go off and the caution lamp lights up in red. Let the tool and/or battery cool down before turning the tool on again.

Overdischarge protection

When the battery capacity becomes low, the tool stops automatically. The speed indicator and ADT indicator go off and the caution lamp starts blinking in red.

If the tool does not operate even when the switches are operated, remove the battery cartridge from the tool and charge it.

Indicating the remaining battery capacity

Only for battery cartridges with the indicator

► Fig.6: 1. Indicator lamps 2. Check button

Press the check button on the battery cartridge to indicate the remaining battery capacity. The indicator lamps light up for a few seconds.

Indicator lamps			Remaining capacity
Lighted	Off	Blinking	
			75% to 100%
			50% to 75%
			25% to 50%
			0% to 25%
			Charge the battery.
			The battery may have malfunctioned.

NOTE: Depending on the conditions of use and the ambient temperature, the indication may differ slightly from the actual capacity.

Main power switch

Tap the main power button to turn on the tool.

To turn off the tool, press and hold the main power button until the speed indicator goes off.

► Fig.7: 1. Speed indicator 2. Main power button

NOTE: The tool will automatically turned off if it is left without any operations for a certain period of time.

Switch action

⚠ WARNING: Before installing the battery cartridge on the tool, always check to see that the switch trigger actuates properly and returns to the "OFF" position when released. Operating a tool with a switch that does not actuate properly can lead to loss of control and serious personal injury.

⚠ CAUTION: Never put your finger on the switch when carrying. The tool may start unintentionally and cause injury.

To prevent the switch trigger from being accidentally pulled, a lock-off lever is provided.

To start the tool, grasp the handle (the lock-off lever is released by the grasp) and then pull the switch trigger. To stop the tool, release the switch trigger.

DUR190U and DUR191U

► Fig.8: 1. Lock-off lever 2. Switch trigger

DUR190L and DUR191L

► Fig.9: 1. Lock-off lever 2. Switch trigger

NOTE: The tool is automatically turned off after the tool is left for a certain period without any operations.

Speed adjusting

You can select the tool speed by tapping the main power button. Each time you tap the main power button, the level of speed will change.

► Fig.10: 1. Speed indicator 2. Main power button 3. ADT indicator

Speed indicator	Mode	Rotation speed
	ADT	3,500 - 6,000 min ⁻¹
3	High	6,000 min ⁻¹
2		
1		
3	Medium	5,100 min ⁻¹
2		
1		
3	Low	3,500 min ⁻¹
2		
1		

NOTE: When you set ADT (Automatic Torque Drive Technology), ADT indicator turns on and the tool runs at optimum rotation speed and torque for the condition of grass being cut.

Reverse button for debris removal

⚠ WARNING: Switch off the tool and remove the battery cartridge before you remove entangled weeds or debris which the reverse rotation function can not remove. Failure to switch off and remove the battery cartridge may result in serious personal injury from accidental start-up.

This tool has a reverse button to change the direction of rotation. It is only for removing weeds and debris entangled in the tool.

To reverse the rotation, tap the reverse button and pull the switch trigger while depressing the lock-off lever when the cutting tool is stopped. The speed indicators and ADT indicator start blinking, and the cutting tool rotates in reverse direction when you pull the switch trigger.

To return to regular rotation, release the trigger and wait until the cutting tool stops.

► Fig.11: 1. Speed indicator 2. ADT indicator 3. Reverse button

NOTE: During the reverse rotation, the tool operates only for a short period of time and then automatically stops.

NOTE: Once the tool is stopped, the rotation returns to regular direction when you start the tool again.

NOTE: If you tap the reverse button while the cutting tool is still rotating, the tool comes to stop and to be ready for reverse rotation.

Electric brake

This tool is equipped with an electric brake. If the tool consistently fails to quickly stop after the switch trigger is released, have the tool serviced at our service center.

⚠ CAUTION: This brake system is not a substitute for the protector. Never use the tool without the protector. An unguarded cutting tool may result in serious personal injury.

ASSEMBLY

⚠ WARNING: Always be sure that the tool is switched off and battery cartridge is removed before carrying out any work on the tool. Failure to switch off and remove the battery cartridge may result in serious personal injury from accidental start-up.

⚠ WARNING: Never start the tool unless it is completely assembled. Operation of the tool in a partially assembled state may result in serious personal injury from accidental start-up.

Installing the handle

For DUR190U and DUR191U only

1. Insert the shaft of the handle into the grip. Align the screw hole in the grip with the one in the shaft. Tighten the screw securely.

► Fig.12: 1. Grip 2. Screw 3. Handle

2. Place handle between handle clamp and handle holder. Adjust the handle to an angle that provides a comfortable working position and then secure with hex socket head bolts.

► Fig.13: 1. Hex socket head bolt 2. Handle clamp 3. Handle holder

Attaching the barrier

For DUR190L and DUR191L (country specific)

If the barrier is included in your model, attach it to the handle using the screw on the barrier.

► Fig.14: 1. Barrier 2. Screw

⚠ CAUTION: After assembling the barrier, do not remove it. The barrier works as a safety part to prevent you from contacting the cutting blade accidentally.

Mounting the attachment pipe

For DUR191U and DUR191L only

Mount the attachment pipe to the power unit.

1. Turn the lever to the direction of the arrow shown in the figure.

► Fig.15: 1. Lever

2. Pull up the joint cover and insert the attachment pipe while aligning the protrusion on the pipe (cutting tool side) with the concave portion of the joint part.

► Fig.16: 1. Lock lever 2. Joint cover 3. Pipe

Make sure that the surface of the lock lever is parallel to the pipe.

3. Turn the lever to the direction of the arrow shown in the figure.

► Fig.17: 1. Lever

To remove the pipe, turn the lever to the direction of the arrow shown in the figure and pull the pipe out while pressing down the lock lever.

► Fig.18: 1. Lever 2. Lock lever 3. Pipe

Installing the protector

⚠ WARNING: Never use the tool without the guard illustrated in place. Failure to do so can cause serious personal injury.

⚠ CAUTION: Take care not to injure yourself on the cutter for cutting the nylon cord.

Attach the protector to the clamp using bolts.

► Fig.19: 1. Clamp 2. Protector 3. Cutter

Installing the cutting tool

NOTE: The type of the cutting tool(s) supplied as the standard accessory varies depending on the countries. The cutting tool is not included in some countries.

NOTE: Turn the tool upside down so that you can replace the cutting tool easily.

Cutter blade

⚠ CAUTION: When handling a cutter blade, always wear gloves and put the blade cover on the blade.

⚠ CAUTION: The cutter blade must be well polished, and free of cracks or breakage. If the cutter blade hits a stone during operation, stop the tool and check the cutter blade immediately.

⚠ CAUTION: Always use the cutter blade with the diameter described in the section for specifications.

► Fig.20: 1. Nut 2. Cup 3. Clamp washer 4. Cutter blade 5. Spindle 6. Guard 7. Spindle lock button

1. Mount the cutter blade onto the guard so that the arrows on the cutter blade and protector are pointing in the same direction.

► Fig.21: 1. Arrow

2. Put the clamp washer and cup onto the cutter blade.

3. While holding down the spindle lock button, tighten the nut securely by the box wrench.

► Fig.22: 1. Spindle lock button 2. Box wrench 3. Loosen 4. Tighten

To remove the cutting blade, loosen the nut while holding down the spindle lock button.

Nylon cutting head

NOTICE: Be sure to use genuine Makita nylon cutting head.

While holding down the spindle lock button, place the nylon cutting head onto the spindle and tighten it securely by hand.

► **Fig.23:** 1. Nylon cutting head 2. Spindle 3. Spindle lock button 4. Loosen 5. Tighten

To remove the nylon cutting head, loosen the nylon cutting head while holding down the spindle lock button.

Plastic blade

NOTICE: Be sure to use genuine Makita plastic blade.

While holding down the spindle lock button, place the plastic blade onto the spindle and tighten it securely by hand.

► **Fig.24:** 1. Plastic blade 2. Spindle 3. Spindle lock button 4. Loosen 5. Tighten

To remove the plastic blade, loosen the plastic blade while holding down the spindle lock button.

NOTE: You can use the supplied hex wrench to install/remove the cutting tool. Insert the hex wrench to the hole as shown in the figure to lock the spindle.

► **Fig.25:** 1. Hex wrench 2. Hole

CAUTION: Always use the supplied wrenches to install/remove the cutting tool.

CAUTION: Be sure to remove the hex wrench inserted into the tool head after installing the cutting tool.

Adjusting the handle/hanger position

Adjust the handle and hanger position to obtain comfortable handling of the tool.

For DUR190U and DUR191U

Adjust the handle/hanger position so that the tool comes within the range as shown below.

► **Fig.26**

1	The hanger position from the ground
2	The cutting tool position from the ground
3	The horizontal distance between the hanger and the unguarded part of the cutting tool

Loosen the hex socket head bolts on the bottom of the handle holder. Move the handle to a comfortable working position and then tighten the bolts.

► **Fig.27:** 1. Handle holder 2. Hex socket head bolt 3. Handle

Loosen the Hex socket head bolts on the hanger. Move the hanger to a comfortable working position and then tighten the bolts.

► **Fig.28:** 1. Hex socket head bolt 2. Hanger

For DUR190L and DUR191L

Loosen the hex socket head bolts on the handle. Move the handle to a comfortable working position and then tighten the bolts.

► **Fig.29:** 1. Hex socket head bolt 2. Handle

Loosen the hex socket head bolt on the hanger. Move the hanger to a comfortable working position and then tighten the bolt.

► **Fig.30:** 1. Hex socket head bolt 2. Hanger

Hex wrench storage

When not in use, store the hex wrench as shown in the figure to keep it from being lost.

► **Fig.31:** 1. Hex wrench

For DUR190L and DUR191L only

► **Fig.32:** 1. Handle 2. Hex wrench

OPERATION

Attaching the shoulder harness

CAUTION: Always use the shoulder harness attached to the tool. Before operation, adjust the shoulder harness according to the user size to prevent fatigue.

CAUTION: Before operation, make sure that the shoulder harness is properly attached to the hanger on the tool.

Connect the hook of the shoulder harness to the hanger and put the shoulder harness on. Make sure that the tool is held securely by the shoulder harness.

DUR190U and DUR191U

► **Fig.33:** 1. Hook 2. Hanger

DUR190L and DUR191L

► **Fig.34:** 1. Hook 2. Hanger

Detachment

The shoulder harness features a means of quick release.

DUR190U and DUR191U

► **Fig.35:** 1. Strip

Pull out the strip release the tool from the shoulder harness.

DUR190L and DUR191L

► **Fig.36:** 1. Buckle

Simply squeeze the sides of the buckle to release the tool from the shoulder harness.

Correct handling of the tool

⚠ WARNING: Always position the tool on your right-hand side. Correct positioning of the tool allows for maximum control and will reduce the risk of serious personal injury caused by kickback.

⚠ WARNING: Be extremely careful to maintain control of the tool at all times. Do not allow the tool to be deflected toward you or anyone in the work vicinity. Failure to keep control of the tool could result in serious injury to the bystander and the operator.

⚠ WARNING: To avoid accident, leave more than 15m (50 ft) distance between operators when two or more operators work in one area. Also, arrange a person to observe the distance between operators. If someone or an animal enters the working area, immediately stop the operation.

⚠ CAUTION: If the cutting tool accidentally impacts a rock or hard object during operation, stop the tool and inspect for any damage. If the cutting tool is damaged, replace it immediately. Use of a damaged cutting tool may result in serious personal injury.

⚠ CAUTION: Remove the blade cover from the cutter blade when cutting the grass.

Correct positioning and handling allow optimum control and reduce the risk of injury caused by kickback.

DUR190U and DUR191U

► Fig.37

DUR190L and DUR191L

► Fig.38

When using a nylon cutting head (bump & feed type)

The nylon cutting head is a dual string trimmer head provided with a bump & feed mechanism.

To feed out the nylon cord, tap the cutting head against the ground while rotating.

► Fig.39: 1. Most effective cutting area

NOTICE: The bump feed will not operate properly if the nylon cutting head is not rotating.

NOTE: If the nylon cord does not feed out while tapping the head, rewind/replace the nylon cord by following the procedures in the section for the maintenance.

MAINTENANCE

⚠ WARNING: Always be sure that the tool is switched off and battery cartridge is removed before attempting to perform inspection or maintenance on the tool. Failure to switch off and remove the battery cartridge may result in serious personal injury from accidental start-up.

NOTICE: Never use gasoline, benzine, thinner, alcohol or the like. Discoloration, deformation or cracks may result.

To maintain product SAFETY and RELIABILITY, repairs, any other maintenance or adjustment should be performed by Makita Authorized or Factory Service Centers, always using Makita replacement parts.

Replacing the nylon cord

⚠ WARNING: Use only the nylon cord with diameter specified in this instruction manual. Never use heavier line, metal wire, rope or the like. Failure to do so may cause damage to the tool and result in serious personal injury.

⚠ WARNING: Always remove the nylon cutting head from the tool when replacing the nylon cord.

⚠ WARNING: Make sure that the cover of the nylon cutting head is secured to the housing properly as described in this instruction manual. Failure to properly secure the cover may cause the nylon cutting head to fly apart resulting in serious personal injury.

Replace the nylon cord if it is not fed any more. The method of replacing the nylon cord varies depending on the type of the nylon cutting head.

95-M10L

► Fig.40

Replacing the plastic blade

Replace the plastic blade if it is worn out or broken.

► Fig.41

When installing the plastic blade, align the direction of the arrow on the blade with that of the protector.

► Fig.42: 1. Arrow on the protector 2. Arrow on the blade

TROUBLESHOOTING

Before asking for repairs, conduct your own inspection first. If you find a problem that is not explained in the manual, do not attempt to dismantle the tool. Instead, ask Makita Authorized Service Centers, always using Makita replacement parts for repairs.

State of abnormality	Probable cause (malfunction)	Remedy
Motor does not run.	Battery cartridge is not installed.	Install the battery cartridge.
	Battery problem (under voltage)	Recharge the battery. If recharging is not effective, replace battery.
	The drive system does not work correctly.	Ask your local authorized service center for repair.
Motor stops running after a little use.	Battery's charge level is low.	Recharge the battery. If recharging is not effective, replace battery.
	Overheating.	Stop using of tool to allow it to cool down.
It does not reach maximum RPM.	Battery is installed improperly.	Install the battery cartridge as described in this manual.
	Battery power is dropping.	Recharge the battery. If recharging is not effective, replace battery.
	The drive system does not work correctly.	Ask your local authorized service center for repair.
Cutting tool does not rotate: ⇒ stop the machine immediately!	Foreign object such as a branch is jammed between the guard and the cutting tool.	Remove the foreign object.
	The drive system does not work correctly.	Ask your local authorized service center for repair.
Abnormal vibration: ⇒ stop the machine immediately!	One end of the nylon cord has been broken.	Tap the nylon cutting head against the ground while it is rotating to cause the cord to feed.
	The drive system does not work correctly.	Ask your local authorized service center for repair.
Cutting tool and motor cannot stop: ⇒ Remove the battery immediately!	Electric or electronic malfunction.	Remove the battery and ask your local authorized service center for repair.

OPTIONAL ACCESSORIES

⚠WARNING: Only use the recommended accessories or attachments indicated in this manual. The use of any other accessory or attachment may result in serious personal injury.

⚠CAUTION: These accessories or attachments are recommended for use with your Makita tool specified in this manual. The use of any other accessories or attachments might present a risk of injury to persons. Only use accessory or attachment for its stated purpose.

If you need any assistance for more details regarding these accessories, ask your local Makita Service Center.

- Cutter blade
- Nylon cutting head
- Nylon cord (cutting line)
- Plastic blade
- Makita genuine battery and charger

NOTE: Some items in the list may be included in the tool package as standard accessories. They may differ from country to country.

SPECIFIKATIONER

Modell:		DUR190U	DUR190L	DUR191U	DUR191L
Typ av handtag		Cykelhandtag	Handtagsögla	Cykelhandtag	Handtagsögla
Hastighet utan belastning		3: 6 000 min ⁻¹ 2: 5 100 min ⁻¹ 1: 3 500 min ⁻¹			
Total längd (utan skärverktyg)		1 775 mm			
Nylonträdens diameter		2,0 - 2,4 mm			
Tillämpligt skärverktyg och skärdiameter	3-tandsblad (art.nr. 191J34-5)	230 mm			
	4-tandsblad (art.nr. 729025-2)	230 mm			
	Trimmerhuvud (art.nr. 126674-0)	300 mm			
	Plastkniv (art.nr. 126642-3)	230 mm			
Märkspänning		18 V likström			
Nettovikt		3,1 - 3,4 kg	2,9 - 3,2 kg	3,4 - 3,7 kg	3,2 - 3,5 kg

- På grund av vårt pågående program för forskning och utveckling kan dessa specifikationer ändras utan föregående meddelande.
- Specifikationer kan variera mellan olika länder.
- Vikten kan variera beroende på tillbehören, inklusive batterikassett. Den lättaste och den tyngsta kombinationen enligt EPTA-procedur 01/2014 visas i tabellen.

Tillgänglig batterikassett och laddare

Batterikassett	BL1815N / BL1820 / BL1820B / BL1830 / BL1830B / BL1840 / BL1840B / BL1850 / BL1850B / BL1860B
Laddare	DC18RC / DC18RD / DC18RE / DC18SD / DC18SE / DC18SF / DC18SH

- Vissa av batterikassetterna och laddarna på listan ovan kanske inte finns tillgängliga i din region.

⚠ VARNING: Använd endast batterikassetter och laddare från listan ovan. Användning av andra batterikassetter och laddare kan orsaka personskada och/eller brand.

Rekommenderad batteriadapter

Batteriadapter	PDC01
----------------	-------

- Batteriadaptern/Batteriadaptrarna på listan ovan kanske inte finns tillgängliga i din region.
- Innan batteriadaptern används ska instruktionen och varningsanmärkningarna på batteriadaptern läsas.

Buller

Modell DUR190U

Skärverktyg	Ljudtrycksnivå (L _{PA}) dB(A)		Ljudeffektnivå (L _{WA}) dB(A)		Gällande standard
	L _{PA} dB(A)	Osäkerhet (K) dB(A)	L _{WA} dB(A)	Osäkerhet (K) dB(A)	
4-tandsblad	77,0	3,9	91,6	2,4	ISO22868 (ISO11806-1)
Trimmerhuvud	74,0	1,9	87,1	0,9	ISO22868 (ISO11806-1)/ EN50636-2-91
Plastkniv	75,6	1,3	85,9	2,1	ISO22868 (ISO11806-1)/ EN50636-2-91

Modell DUR190L

Skärverktyg	Ljudtrycksnivå (L_{pA}) dB(A)		Ljudeffektnivå (L_{wA}) dB(A)		Gällande standard
	L_{pA} dB(A)	Osäkerhet (K) dB(A)	L_{wA} dB(A)	Osäkerhet (K) dB(A)	
4-tandsblad	77,0	3,9	91,6	2,4	ISO22868 (ISO11806-1)
Trimmerhuvud	74,0	1,9	87,1	0,9	ISO22868 (ISO11806-1)/ EN50636-2-91
Plastkniv	75,6	1,3	85,9	2,1	ISO22868 (ISO11806-1)/ EN50636-2-91

Modell DUR191U

Skärverktyg	Ljudtrycksnivå (L_{pA}) dB(A)		Ljudeffektnivå (L_{wA}) dB(A)		Gällande standard
	L_{pA} dB(A)	Osäkerhet (K) dB(A)	L_{wA} dB(A)	Osäkerhet (K) dB(A)	
4-tandsblad	77,0	3,9	91,6	2,4	ISO22868 (ISO11806-1)
Trimmerhuvud	74,0	1,9	87,1	0,9	ISO22868 (ISO11806-1)/ EN50636-2-91
Plastkniv	75,6	1,3	85,9	2,1	ISO22868 (ISO11806-1)/ EN50636-2-91

Modell DUR191L

Skärverktyg	Ljudtrycksnivå (L_{pA}) dB(A)		Ljudeffektnivå (L_{wA}) dB(A)		Gällande standard
	L_{pA} dB(A)	Osäkerhet (K) dB(A)	L_{wA} dB(A)	Osäkerhet (K) dB(A)	
4-tandsblad	77,0	3,9	91,6	2,4	ISO22868 (ISO11806-1)
Trimmerhuvud	74,0	1,9	87,1	0,9	ISO22868 (ISO11806-1)/ EN50636-2-91
Plastkniv	75,6	1,3	85,9	2,1	ISO22868 (ISO11806-1)/ EN50636-2-91

- Även om den ljudtrycksnivå som angetts ovan är mer eller mindre än 80 dB (A) kan det hända att ljudtrycksnivån vid arbete överskrider 80 dB (A). Använd hörselskydd.

OBS: Det deklarerade bullervärdet har uppmätts i enlighet med standardtestmetoden och kan användas för jämförelset av en maskin med en annan.

OBS: Det deklarerade bulleremissionsvärdet kan också användas i en preliminär bedömning av exponering för vibration.

⚠ VARNING: Använd hörselskydd.

⚠ VARNING: Bulleremissionen under faktisk användning av maskinen kan skilja sig från det deklarerade värdet, beroende på hur maskinen används och särskilt vilken typ av arbetsstycke som behandlas.

⚠ VARNING: Var noga med att identifiera säkerhetsåtgärder för att skydda användaren, vilka är grundade på en uppskattning av graden av exponering för vibrationer under de faktiska användningsförhållandena, (ta, förutom avtryckartiden, med alla delar av användarcykeln i beräkningen, som till exempel tiden då maskinen är avstängd och när den går på tomgång).

Vibration

Modell DUR190U

Skärverktyg	Vänster hand		Höger hand		Gällande standard
	$a_{h,w}$ (m/s ²)	Osäkerhets-K (m/s ²)	$a_{h,w}$ (m/s ²)	Osäkerhets-K (m/s ²)	
4-tandsblad	≤ 2,5	1,5	≤ 2,5	1,5	ISO22867 (ISO11806-1)
Trimmerhuvud	≤ 2,5	1,5	≤ 2,5	1,5	ISO22867 (ISO11806-1)
Plastkniv	≤ 2,5	1,5	≤ 2,5	1,5	ISO22867 (ISO11806-1)

Modell DUR190L

Skärverktyg	Vänster hand		Höger hand		Gällande standard
	$a_{h,w}$ (m/s ²)	Osäkerhets-K (m/s ²)	$a_{h,w}$ (m/s ²)	Osäkerhets-K (m/s ²)	
4-tandsblad	≤ 2,5	1,5	≤ 2,5	1,5	ISO22867 (ISO11806-1)
Trimmerhuvud	≤ 2,5	1,5	≤ 2,5	1,5	ISO22867 (ISO11806-1)
Plastkniv	≤ 2,5	1,5	≤ 2,5	1,5	ISO22867 (ISO11806-1)

Modell DUR191U

Skärverktyg	Vänster hand		Höger hand		Gällande standard
	$a_{h,w}$ (m/s ²)	Osäkerhets-K (m/s ²)	$a_{h,w}$ (m/s ²)	Osäkerhets-K (m/s ²)	
4-tandsblad	≤ 2,5	1,5	≤ 2,5	1,5	ISO22867 (ISO11806-1)
Trimmerhuvud	≤ 2,5	1,5	≤ 2,5	1,5	ISO22867 (ISO11806-1)
Plastkniv	≤ 2,5	1,5	≤ 2,5	1,5	ISO22867 (ISO11806-1)

Modell DUR191L

Skärverktyg	Vänster hand		Höger hand		Gällande standard
	$a_{h,w}$ (m/s ²)	Osäkerhets-K (m/s ²)	$a_{h,w}$ (m/s ²)	Osäkerhets-K (m/s ²)	
4-tandsblad	≤ 2,5	1,5	≤ 2,5	1,5	ISO22867 (ISO11806-1)
Trimmerhuvud	≤ 2,5	1,5	≤ 2,5	1,5	ISO22867 (ISO11806-1)
Plastkniv	≤ 2,5	1,5	≤ 2,5	1,5	ISO22867 (ISO11806-1)

OBS: Det deklarerade totala vibrationsvärdet har uppmätts i enlighet med standardtestmetoden och kan användas för jämförandet av en maskin med en annan.

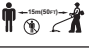
OBS: Det deklarerade totala vibrationsvärdet kan också användas i en preliminär bedömning av exponering för vibration.

⚠️ VARNING: Vibrationsemissionen under faktisk användning av maskinen kan skilja sig från det deklarerade värdet, beroende på hur maskinen används och särskilt vilken typ av arbetsstycke som behandlas.

⚠️ VARNING: Var noga med att identifiera säkerhetsåtgärder för att skydda användaren, vilka är grundade på en uppskattning av graden av exponering för vibrationer under de faktiska användningsförhållandena, (ta, förutom avtryckartiden, med alla delar av användarcykeln i beräkningen, som till exempel tiden då maskinen är avstängd och när den går på tomgång).

Symboler

Följande visar symbolerna som används för utrustningen. Se till att du förstår innebörden innan du använder bormaskinen.

	Var extra försiktig och uppmärksam.
	Läs igenom bruksanvisningen.
	Upprätthåll ett avstånd på minst 15 m.
	Fara! Se upp för flygande föremål.
	Försiktigt; bakåtkast
	Använd hjälm, skyddsglasögon och hörselskydd.
	Använd skyddshandskar.
	Använd kraftiga stövlar med halkfria sulor. Skyddsstövlar med stålförstärkt tåhätta rekommenderas.
	Utsätt inte verktyget för fukt.
	Gäller endast EU-länder Elektrisk utrustning eller batteripaket får inte kastas i hushållsavfallet! Enligt EU-direktiven som avser förbrukad elektrisk och elektronisk utrustning, batterier, ackumulatörer, förbrukade batterier och ackumulatörer, samt direktivens tillämpning enligt nationell lagstiftning, ska uttjänt elektrisk utrustning, batterier och batteripaket sorteras separat och lämnas till miljövänlig återvinning.

EG-försäkran om överensstämmelse

Gäller endast inom EU

EG-försäkran om överensstämmelse inkluderas som bilaga A till denna bruksanvisning.

SÄKERHETSVARNINGAR

Allmänna säkerhetsvarningar för maskiner

⚠️ VARNING: Läs alla säkerhetsvarningar, anvisningar, illustrationer och specifikationer som medföljer det här maskinen. Underlåtenhet att följa instruktionerna kan leda till elstötar, brand och/eller allvarliga personskadorna.

Spara alla varningar och instruktioner för framtida referens.

Termen "maskin" som anges i varningarna hänvisar till din eldrivna maskin (sladdansluten) eller batteridrivna maskin (sladdlös).

Viktiga säkerhetsanvisningar för verktyget

⚠️ VARNING: Läs igenom alla säkerhetsvarningar och anvisningar. Underlåtenhet att följa varningar och instruktioner kan leda till elstötar, brand och/eller allvarliga personskadorna.

Spara alla varningar och instruktioner för framtida referens.

Avsedd användning

1. Detta verktyg är endast avsett för klippning av gräs, ogräs, buskar och undervegetation. Det ska inte användas för något annat syfte såsom kant- eller häckklippning eftersom detta kan orsaka skada.

Allmänna anvisningar

1. Tillåt aldrig personer som inte är förtrogna med dessa anvisningar, personer (inklusive barn) med nedsatt fysisk, sensorisk eller mental förmåga, eller personer utan erfarenhet av och kunskap om verktyget att använda det. Barn ska övervakas så att de inte leker med verktyget.
2. Läs igenom denna bruksanvisning för att bli förtrogen med hanteringen av verktyget innan du börjar använda det.
3. Låna inte ut verktyget till en person som inte har tillräcklig erfarenhet eller kunskap om hanteringen av röjsågar och trimmar.
4. Lämna alltid över denna bruksanvisning när du lånar ut verktyget.
5. Hantera verktyget med största försiktighet och uppmärksamhet.
6. Använd aldrig verktyget efter intag av alkohol eller droger, eller om du känner dig trött eller sjuk.
7. Försök aldrig modifiera verktyget.
8. Följ föreskrifterna om hantering av röjsågar och trimmar i ditt land.

Personlig skyddsutrustning

► Fig.1

1. Bär skyddshjälm, skyddsglasögon och skyddshandskar för att skydda dig mot flygande material eller fallande föremål.
2. Bär hörselskydd, såsom hörselkåpor för att undvika hörselskador.
3. Bär lämpliga kläder och skor för säker användning, som till exempel arbetsoverall och kraftiga skor med halkfri sula. Bär inte löst sittande kläder eller smycken. Löst sittande kläder, smycken eller långt hår kan fastna i de rörliga delarna.
4. Bär skyddshandskar när du tar i skärkniven. Skärknivarna kan skära oskyddade händer allvarligt.

Säkerhet på arbetsplatsen

1. Använd verktyget endast under goda ljusförhållanden och i dagsljus. Arbeta inte med verktyget i mörker eller dimma.
2. Använd inte verktyget i explosiva områden, som till exempel i närheten av lättantändliga vätskor, gaser eller damm. Verktyget skapar gnistor som kan antända dammet eller ångorna.
3. Stå aldrig på ett instabilt eller halt underlag eller i en sluttning under användningen. Var observant på is och snö under vintersäsongen och se till att du alltid står stadigt.
4. Håll åskådare och djur på minst 15 m avstånd från verktyget under användningen. Stanna verktyget så fort någon närmar sig.
5. Använd aldrig verktyget när personer (särskilt barn) eller djur finns i närheten.
6. Undersök arbetsområdet före användningen så att det inte finns stenar eller andra fasta föremål. De kan kastas iväg eller orsaka farliga bakåtkast som kan resultera i allvarliga personskador och/eller egendomsskador.
7. **⚠️ VARNING:** När denna produkt används kan damm som innehåller kemikalier skapas, vilket kan leda till luftvägssjukdomar eller andra sjukdomar. Några exempel på dessa kemikalier är sammansättningar som hittas i bekämpningsmedel, insektsmedel och växtgift. Risken för exponering varierar beroende på hur ofta du utför denna typ av arbete. Minska risken för exponering av dessa kemikalier genom att arbeta i ett välventilerat område och arbeta med godkänd säkerhetsutrustning, som till exempel dammask som skapats speciellt för filtrering av mikroskopiska partiklar.

Ei- och batterisäkerhet

1. Utsätt inte verktyget för regn eller fukt. Vatten som kommer in i verktyget ökar risken för elektrisk stöt.
2. Använd inte verktyget om det inte går att starta eller stänga av med strömbrytaren. Verktyg som inte går att styras med strömbrytaren är farliga och måste repareras.
3. Förhindra oavsiktligt start. Försäkra dig om att strömbrytaren står i avstängt läge innan du monterar ett batteri, tar upp eller bär verktyget. Att bära verktyget med fingrarna på avtryckaren eller förse verktyget med ström när avtryckaren är intryckt, inbjuder till olyckor.
4. Släng inte batteriet/batterierna i öppen eld. Cellen kan explodera. Kontrollera de lokala reglerna för att se eventuell särskild avfallshantering.
5. Öppna inte eller förstör batteriet/batterierna. Elektrolyt som kommer ut är frätande och kan ge ögon- eller hudskador. Det kan vara giftigt vid förtäring.
6. Ladda inte batteriet i regn eller i fuktiga eller våta utrymmen.

Förberedelser inför användning

1. Ta bort batterikassetten innan du monterar eller justerar verktyget.
2. Använd skyddshandskar när du tar i skärkniven.

3. Innan du sätter i batterikassetten ska du kontrollera att verktyget inte är skadat, har lösa skruvar/muttrar eller är felaktigt monterat. Slipa skärkniven om den är slö. Om skärkniven är böjd eller skadad ska den bytas ut. Kontrollera att alla kontrollspakar och brytare fungerar korrekt. Rengör och torka handtagen.
4. Försök aldrig att sätta på verktyget om den är skadat eller inte helt monterat. Det kan i så fall leda till allvarliga personskador.
5. Justera axelbandet och handgreppet så att de passar användarens storlek.
6. Håll skärtillsatsen bort från kroppen och andra föremål, inklusive marken, när du sätter i batterikassetten. Den kan rotera vid start och orsaka personskador eller skada verktyget och/eller egendom.
7. Ta bort eventuell justeringsnyckel, skiftnyckel eller knivskydd innan du startar verktyget. Ett tillbehör som är fäst på en roterande del av verktyget kan ge upphov till personskador.
8. Skärverktyget måste vara utrustat med skyddet. Kör aldrig verktyget med skadade skydd eller utan skydden på plats!
9. Se till att det inte finns några elkablar, vattenrör, gasledningar etc. som kan orsaka fara om de skadas av verktyget.

Användning

1. Stäng genast av verktyget i ett nödläge.
2. Stäng av verktyget och ta bort batterikassetten om du känner att något är fel (t.ex. buller, vibrationer) under arbetet. Använd inte verktyget innan du vet orsaken till felet och åtgärdat det.
3. Skärtillsatsen fortsätter att rotera en kort stund efter det att verktyget har stängts av. Ha inte bråttom med att röra vid skärtillsatsen.
4. Använd axelbandet när du använder häcksaxen. Håll verktyget stadigt på din högra sida.
5. Översträck inte. Stå alltid stabilt och ha god balans hela tiden. Se upp för dolda hinder såsom stubbar, rötter och diken för att undvika att snubbla.
6. Se alltid till att ha balans på sluttningar.
7. Gå, spring aldrig.
8. Stå aldrig och arbeta på en stega eller i ett träd för att undvika att tappa kontrollen.
9. Kontrollera verktyget innan du fortsätter att arbeta igen om den slagit emot något hårt eller ramlat ned. Kontrollera manöverkontrollerna och säkerhetsenheter så att de fungerar som de ska. Om det finns någon skada eller tveksamhet kontaktar du vårt auktoriserade servicecenter för kontroll och reparation.
10. Ta en paus för att förebygga trötthet och förlo-rad kontroll. Vi rekommenderar en paus på 10 till 20 minuter varje timma.
11. Ta alltid bort batterikassetten när du lämnar verktyget även om det bara är för en kort stund. Om batterikassetten är kvar kan en obehörig person använda verktyget och orsaka allvarliga olyckor.
12. Om gräs eller grenar fastnar mellan skärtillsatsen och skyddet, ska du alltid stänga av verktyget och ta bort batterikassetten före rengöring. I annat fall kan skärtillsatsen rotera oavsiktligt och orsaka allvarliga personskador.

13. Rör aldrig vid rörliga farliga delar innan de har stannat helt och hållet och batterikassetten har tagits bort.
14. Stäng genast av verktyget om skärtiltsatsen slår i stenar eller andra hårda föremål. Ta sedan bort batterikassetten och kontrollera skärtiltsatsen.
15. Kontrollera skärtiltsatsen ofta under arbetet så att det inte har uppstått sprickor eller skador. Ta bort batterikassetten och vänta tills skärtiltsatsen har stannat helt innan du utför kontrollen. Byt genast ut en skadad skärtiltsats även om den endast har ytliga sprickor.
16. Skär aldrig över midjehöjd.
17. Vänta tills skärtiltsatsen når en konstant hastighet efter att du startat verktyget innan du börjar kapningsarbetet.
18. När du använder en skärkniv ska du svänga verktyget jämnt i en halvcirkel från höger till vänster, som när du använder en lie.
19. Håll endast i de isolerade greppen på verktyget eftersom det finns risk för att skärkniven kan komma i kontakt med en dold elkabel. Om skärknivar kommer i kontakt med en strömförande ledning blir verktygets metalldelar strömförande och kan ge operatören en elektrisk stöt.
20. Starta inte verktyget när skärverktyget är intrasslat i gräsclipp.
21. Se till innan du startar verktyget att skärverktyget inte vidrör marken och andra hinder som t.ex. träd.
22. Håll alltid verktyget med båda händerna under arbetet. Håll aldrig verktyget med en hand under användningen.
23. Använd inte verktyget i dåligt väder eller när det finns risk för åska.

Skärverktyg

1. Använd inte ett skärverktyg som inte rekommenderas av oss.
2. Använd lämplig skärtiltsats för det arbete som ska utföras.
 - Trimmerhuvuden (med nylontråd) och plastknivar är lämpliga för att trimma gräsytor.
 - Skärknivar är lämpliga vid kapning av ogräs, högt gräs, buskage, snår, sly och liknande.
 - Använd aldrig andra blad inklusive svängande metallkedjor och slagknivar. Det kan orsaka allvarliga personskador.
3. Använd endast ett skärverktyg som är märkt med ett maximalt varvtal som är lika med eller högre än varvtalet som är märkt på verktyget.
4. Håll alltid händer, ansikte och kläder borta från skärverktyget när det roterar. I annat fall kan personskada uppstå.
5. Använd alltid skyddet för skärtiltsatsen korrekt fastsatt.
6. När du använder skärknivar ska du undvika bakåtkast och alltid vara förberedd på oavsiktliga bakåtkast. Se avsnittet om Bakåtkast.
7. När kniven inte används ska bladskyddet sättas på den. Ta bort skyddet före användning.

Bakåtkast (kniven slår bakåt)

1. Bakåtkast (kniven slår bakåt) är en plötslig reaktion när en skärkniv fastnar eller studsar. När det inträffar kastas verktyget i sidled eller mot användaren med stor kraft och kan orsaka allvarliga personskador.
2. Bakåtkast uppstår särskilt när man använder kniven i segmentet mellan klockan 12 och 2 på fasta föremål, buskar och träd med en diameter på 3 cm eller större.

► Fig.2

3. För att undvika bakåtkast:
 1. Använd verktyget i segmentet mellan klockan 8 och 11.
 2. Använd aldrig verktyget i segmentet mellan klockan 12 och 2.
 3. Använd aldrig verktyget i segmentet mellan klockan 11 och 12 och mellan 2 och 5, såvida inte du som användare är välutbildad och erfaren och gör det på egen risk.
 4. Använd aldrig skärknivar nära fasta föremål som till exempel staket, väggar, trädstammar och stenar.
 5. Använd aldrig skärknivar vertikalt, till exempel för kantskärning och trimning av häckar.

► Fig.3

Vibration

1. Personer med cirkulationsrubbingar som utsätts för kraftiga vibrationer kan drabbas av blodutgjutningar eller skador på nervsystemet. Vibrationer kan orsaka följande symptom i fingrar, händer och handleder: "Domningar" (stumhet), darrningar, smärtor, stickningar, färgförändringar i huden och hudförändringar. Uppsök läkare om du drabbats av något av dessa symptom!
2. För att undvika risken för "vita fingrar" ska du hålla händerna varma under användningen och underhålla verktyget och tillbehören noggrant.

Transportering

1. Stäng av verktyget och ta bort batterikassetten före transport av verktyget. Montera skyddet på skärkniven.
2. Bär verktyget i horisontalt läge genom att hålla i skaftet när du transporterar det.
3. Fäst verktyget ordentligt så att det inte välter vid transport i ett fordon. I annat fall kan det leda till skada på verktyget och annat bagage.

Underhåll

1. Se till att ditt verktyg servas på vårt auktoriserade servicecenter där endast originalreservdelar används. Felaktig reparation och dåligt underhåll kan förkorta verktygets livslängd och öka risken för olyckor.
2. Stäng alltid av verktyget och ta bort batterikassetten innan du utför något underhålls- eller reparationsarbete eller rengör verktyget.
3. Använd alltid skyddshandskar när du hanterar skärkniven.

4. **Rengör alltid verktyget från damm och smuts. Använd inte bensen, bensen, förtunningsmedel, alkohol eller liknande för ändamålet.** Missfärgning, deformation av eller sprickor i plastkomponenterna kan uppstå.
5. **Dra åt alla skruvar och muttrar efter varje användning.**
6. **Utför inget underhåll eller reparationer som inte finns beskrivna i bruksanvisningen. Be vårt auktoriserade servicecenter att utföra sådant arbete.**
7. **Använd endast våra originalreservdelar och -tillbehör.** Om delar eller tillbehör från en tredje part används kan det resultera i att verktyget går sönder, egendomsskador och/eller allvarliga personskador.
8. **Be vårt auktoriserade servicecenter att kontrollera och utföra underhåll på verktyget regelbundet.**
9. **Ha alltid verktyget i gott arbetsskick.** Dåligt underhåll kan leda till underlägsen prestanda och förkorta verktygets livslängd.

Förvaring

1. **Utför helrengöring och underhåll på verktyget innan det tas i förvar. Ta bort batterikassetten. Montera skyddet på skärkniven.**
2. **Förvara verktyget på en torr, hög eller låst plats utom räckhåll för barn.**
3. **Luta inte verktyget mot något, såsom en vägg.** Det kan plötsligt falla ned och orsaka personskador.

Första hjälpen

1. **Ha alltid förbandslådan i närheten. Se till att förbandslådan alltid hålls komplett.**
2. **Ange följande information när du ber om hjälp:**
 - Platsen för olyckan
 - Vad som hänt
 - Antal skadade personer
 - Skadans art
 - Ditt namn

Viktiga säkerhetsanvisningar för batterikassetten

1. **Innan batterikassetten används ska alla instruktioner och varningsmärken på (1) batteriladdaren, (2) batteriet och (3) produkten läsas.**
2. **Montera inte isär batterikassetten.**
3. **Om drifttiden blivit avsevärt kortare ska användningen avbrytas omedelbart. Det kan uppstå överhettning, brännskador och t o m en explosion.**
4. **Om du får elektrolyt i ögonen ska de sköljas med rent vatten och läkare uppsöks omedelbart. Det finns risk för att synen förloras.**
5. **Kortslut inte batterikassetten.**
 - (1) Rör inte vid polerna med något strömförande material.
 - (2) Undvik att förvara batterikassetten tillsammans med andra metallobjekt som t.ex. spikar, mynt o.s.v.
 - (3) Skydda batteriet mot vatten och regn.

En batterikortslutning kan orsaka ett stort strömflöde, överhettning, brand och maskinhaveri.

6. **Förvara inte maskinen och batterikassetten på platser där temperaturen kan nå eller överstiga 50 °C.**
7. **Bränn inte upp batterikassetten även om den är svårt skadad eller helt utsliten. Batterikassetten kan explodera i öppen eld.**
8. **Var försiktig så att du inte råkar tappa batteriet och utsätt det inte för stötar.**
9. **Använd inte ett skadat batteri.**
10. **De medföljande litiumjonbatterierna är föremål för kraven i gällande lagstiftning för farligt gods.**

För kommersiella transporter (av t.ex. tredje parter som speditorsfirmor) måste de särskilda transportkrav som anges på emballaget och etiketter iakttas.

För att förbereda den produkt som ska avsändas krävs att du konsulterar en expert på riskmaterial. Var också uppmärksam på att det i ditt land kan finnas ytterligare föreskrifter att följa.

Tejpa över eller maskera blottade kontakter och packa batteriet på sådant sätt att det inte kan röra sig fritt i förpackningen.

11. **När batterikassetten ska kasseras måste den tas bort från maskinen och kasseras på ett säkert sätt. Följ lokala föreskrifter beträffande avfallshandling av batteriet.**
12. **Använd endast batterierna med de produkter som specificerats av Makita.** Att använda batterierna med ej godkända produkter kan leda till brand, överdriven värme, explosion eller utläckande elektrolyt.
13. **Om maskinen inte används under en lång tid måste batteriet tas bort från maskinen.**

SPARA DESSA ANVISNINGAR.

⚠ FÖRSIKTIGT: Använda endast äkta Makita-batterier. Användning av oäkta Makita-batterier eller batterier som har manipulerats kan leda till person- och utrustningsskador eller till att batteriet fattar eld. Det upphäver också Makitas garanti för verktyget och laddaren.

Tips för att uppnå batteriets maximala livslängd

1. **Ladda batterikassetten innan den är helt urladdad. Stanna alltid maskinen och ladda batterikassetten när du märker att maskinen blir svagare.**
2. **Ladda aldrig en fulladdad batterikasset. Överladdning förkortar batteriets livslängd.**
3. **Ladda batterikassetten vid en rumstemperatur på 10 °C - 40 °C. Låt en varm batterikasset svalna innan den laddas.**
4. **Ladda batterikassetten om du inte har använt den på länge (mer än sex månader).**

BESKRIVNING AV DELAR

► Fig.4

1	Hastighetsindikator	2	ADT-indikator (ADT = drivteknik med automatiskt vridmoment)	3	Varningslampa	4	Strömbrytare
5	Reverseringsknapp	6	Batterikassett	7	Säkerhetsspärr	8	Avtryckare
9	Upphållningsanordning	10	Handtag	11	Barriär (landsspecifik)	12	Skydd
13	Säkerhetsspärr (endastDUR191U och DUR191L)	14	Samlingsskydd (endastDUR191U och DUR191L)	15	Lock (endastDUR191U och DUR191L)	16	Axelband

FUNKTIONSBESKRIVNING

⚠ VARNING: Se alltid till att maskinen är avstängd och batterikassetten borttagen innan du justerar maskinen eller kontrollerar dess funktioner. Om du inte stänger av maskinen och tar ur batterikassetten kan maskinen oavsiktligt startas med allvarliga personskador som följd.

Montera eller demontera batterikassetten

⚠ FÖRSIKTIGT: Stäng alltid av maskinen innan du monterar eller tar bort batterikassetten.

⚠ FÖRSIKTIGT: Håll stadigt i maskinen och batterikassetten när du monterar eller tar bort batterikassetten. I annat fall kan det leda till att de glider ur dina händer och orsakar skada på maskinen och batterikassetten samt personskada.

► Fig.5: 1. Röd indikator 2. Knapp 3. Batterikassett

Ta bort batterikassetten genom att skjuta ner knappen på kassetterns framsida samtidigt som du drar ut batterikassetten.

Sätt in batterikassetten genom att rikta in tungan på batterikassetten mot spåret i höljet och skjut den på plats. Tryck in batterikassetten ordentligt tills den låser fast med ett klick. Om du kan se den röda indikatorn på knappens ovansida är den inte låst ordentligt.

⚠ FÖRSIKTIGT: Sätt alltid in batterikassetten helt tills den röda indikatorn inte längre syns.

I annat fall kan den oväntat falla ur maskinen och skada dig eller någon annan.

⚠ FÖRSIKTIGT: Montera inte batterikassetten med våld. Om kassetten inte lätt glider på plats är den felinställt.

Skyddssystem för maskinen/ batteriet

Verktyget är utrustad med ett skyddssystem för verktyget/batteriet. Detta system bryter automatiskt strömmen till motorn för att förlänga verktygets och batteriets livslängd. Verktyget stoppar automatiskt under användningen om verktyget hamnar i en av följande situationer:

Varningslampa			Status
Färg	● På	● Blinkar	
Röd	●	●	Överbelastning
Röd	●	●	Överhettning
Röd	●	●	Överurladdning

Överbelastningsskydd

Om verktyget hamnar i någon av följande situationer, stannar verktyget automatiskt och varningslampan börjar blinka rött:

- Verktyget är överbelastat genom intrasslat ogräs eller annat skräp.
- Skärverktyget är låst eller bakåtkastat.
- Strömbrytaren sätts på medan avtryckaren är intryckt.

I en sådan situationen släpper du avtryckaren och tar vid behov bort ogräs eller skräp som fastnat. Tryck sedan in avtryckaren igen för att starta om.

⚠ FÖRSIKTIGT: Om du behöver ta bort ogräset som fastnat på verktyget eller lossa det låsta skärverktyget, se då till att stänga av verktyget innan du börjar.

Överhettningsskydd för maskin/ batteri

När verktyget eller batterikassetten överhettas stannar verktyget automatiskt. När verktyget eller batterikassetten överhettas, slocknar hastighetsindikatorn och ADT-indikatorn och varningslampan tänds i rött. Låt verktyget och/eller batteriet svalna innan du startar verktyget igen.

Överurladdningsskydd

När batteriets kapacitet är låg stoppar verktyget automatiskt. Hastighetsindikatorn och ADT-indikatorn släcks och varningslampan börjar blinka rött.

Om verktyget inte fungerar trots att knapparna fungerar som de ska tar du bort den uttömda batterikassetten från verktyget och laddar den.

Indikerar kvarvarande batterikapacitet

Endast för batterikassetter med indikator

► Fig.6: 1. Indikatorlampor 2. Kontrollknapp

Tryck på kontrollknappen på batterikassetten för att se kvarvarande batterikapacitet. Indikatorlamporna lyser i ett par sekunder.

Indikatorlampor			Kvarvarande kapacitet
Upplyst	Av	Blikrar	
■	□	▬	75% till 100%
■	■	■	
■	■	□	
■	■	□	
■	□	□	25% till 50%
■	□	□	50% till 75%
■	□	□	0% till 25%
▬	□	□	Ladda batteriet.
■	■	□	Batteriet kan ha skadats.
□	□	■	

OBS: Beroende på användningsförhållanden och den omgivande temperaturen kan indikationen skilja sig lätt från den faktiska batterikapaciteten.

Strömbrytare

Tryck på strömbrytaren för att starta verktyget. Om du vill stänga av verktyget, tryck och håll in strömbrytaren tills hastighetsindikatorn stängs av.

► Fig.7: 1. Hastighetsindikator 2. Strömbrytare

OBS: Verktyget stänger av sig automatiskt om det lämnas överksamt under en viss tidsperiod.

Avtryckarens funktion

⚠ VARNING: Innan du sätter i batterikassetten i maskinen ska du alltid kontrollera att avtryckaren fungerar och återgår till läget "OFF" när du släpper den. Om du använder en maskin med ett en avtryckare som inte aktiveras korrekt kan det leda till förlorad kontroll och allvarlig personskada.

⚠ FÖRSIKTIGT: Håll aldrig fingret på avtryckaren när du bär maskinen. Maskinen kan starta oavsiktligt och orsaka skada.

Säkerhetsspakens funktion är att förhindra att avtryckaren oavsiktligt trycks in.

För att starta maskinen greppar du handtaget (säkerhetsspärren frigörs med det greppet) och trycker in avtryckaren. För att stoppa maskinen släpper du avtryckaren.

DUR190U och DUR191U

► Fig.8: 1. Säkerhetsspär 2. Avtryckare

DUR190L och DUR191L

► Fig.9: 1. Säkerhetsspär 2. Avtryckare

OBS: Verktyget stängs av automatiskt när du har låtit den vila en viss tid utan någon åtgärd.

Hastighetsinställning

Du kan välja verktyghastigheten genom att trycka lätt på strömbrytaren. Varje gång du klickar på strömbrytaren ändras hastighetsnivån.

► Fig.10: 1. Hastighetsindikator 2. Strömbrytare 3. ADT-indikator

Hastighetsindikator	Läge	Rotationshastighet
	ADT	3 500 - 6 000 min ⁻¹
3	Hög	6 000 min ⁻¹
2	Medel	5 100 min ⁻¹
1		
3	Låg	3 500 min ⁻¹

OBS: När du ställer in drivteknik med automatiskt vridmoment (ADT), tänds ADT-indikatorn och verktyget körs med optimal rotationshastighet och vridmoment för tillståndet på gräset som klipps.

Reverseringsknapp för borttagning av skräp

⚠ VARNING: Stäng av maskinen och ta ur batterikassetten innan du tar bort intrasslade ogrässtrån eller skräp som inte kan tas bort med reverseringsknappen. Om du inte stänger av maskinen och tar ur batterikassetten kan maskinen oavsiktligt startas med allvarliga personskador som följd.

Denna maskin har en reverseringsknapp som ändrar rotationsriktningen. Den är endast avsedd för borttagning av ogrässtrån och skräp som fastnat i maskinen. För att ändra rotationsriktningen trycker du lätt på reverseringsknappen och trycker in avtryckaren samtidigt som du håller säkerhetsspaken intryckt, när skärverktyget har stannat. Hastighetsindikatorerna och ADT-indikatorn börjar blinka, och skärverktyget roterar i omvänd riktning när du trycker på avtryckaren. För att återgå till normal rotation släpper du avtryckaren och väntar tills skärverktyget stannar.

► Fig.11: 1. Hastighetsindikator 2. ADT-indikator 3. Reverseringsknapp

OBS: I det reverserade läget arbetar maskinen endast en kort stund och stängs sedan av automatiskt.

OBS: När maskinen har stannat och du startar den igen återgår den till att rotera i normal riktning.

OBS: Om du trycker lätt på reverseringsknappen medan skärverktyget roterar, stannar det och är sedan klart att rotera i den andra riktningen.

Elektronisk broms

Detta verktyg är försett med en elektronisk broms. Om verktyget inte stannar snabbt efter att avtryckaren släppts, behöver verktyget servas på vårt servicecenter.

⚠ FÖRSIKTIGT: Detta bromssystem är inte en ersättning för skyddet. Använd aldrig verktyget utan skyddet. Ett obevakat skärverktyg kan orsaka allvarlig personskada.

MONTERING

⚠ VARNING: Se alltid till att maskinen är avstängd och batterikassetten urtagen innan du utför något underhållsarbete på den. Om du inte stänger av maskinen och tar ur batterikassetten kan maskinen oavsiktligt startas med allvarliga personsador som följd.

⚠ VARNING: Starta aldrig maskinen om den inte är fullständigt monterad. Om maskinen används endast delvis monterad kan detta leda till allvarliga personsador om maskinen av misstag skulle startas.

Montera handtaget

Endast för DUR190U och DUR191U

1. För in handtagets skaft i greppet. Rikta in skruvhålet i greppet med det i skaftet. Dra åt skruven ordentligt.
► **Fig.12:** 1. Handtag 2. Skruv 3. Handtag

2. Placera handtaget mellan handtagsklämman och handtagsfästet. Justera handtagets vinkel så att det ger ett bekvämt arbetsläge och fäst det sedan genom att dra åt med insexbultar.

► **Fig.13:** 1. Insexbult 2. Handtagsklämma
3. Handtagsfäste

Sätta fast barriären

För DUR190L och DUR191L

Om barriären ingår i din modell, sätter du fast den på handtaget med skruven på barriären.

► **Fig.14:** 1. Barriär 2. Skruv

⚠ FÖRSIKTIGT: Ta inte bort barriären efter att du monterat den. Barriären fungerar som en säkerhetsdel för att hindra att du får kontakt med skärkniven av misstag.

Montera anslutningsröret

Endast för DUR191U och DUR191L

Montera anslutningsröret på drivenheten.

1. Vrid spaken i pilens riktning enligt bilden.

► **Fig.15:** 1. Spak

2. Dra upp samlingskyddet och för in anslutningsröret samtidigt som du riktar in spåren på röret (skärverktygets sida) med den konkava delen av den gemensamma delen.

► **Fig.16:** 1. Säkerhetsspärr 2. Samlingskydd 3. Rör

Se till att säkerhetsspärrens yta är parallell mot röret.

3. Vrid spaken i pilens riktning enligt bilden.

► **Fig.17:** 1. Spak

För att ta bort röret vrider man spaken i pilens riktning enligt bilden och drar ut röret samtidigt som säkerhetsspärren trycks ner.

► **Fig.18:** 1. Spak 2. Säkerhetsspärr 3. Rör

Montering av skyddet

⚠ VARNING: Använd aldrig maskinen utan att ha monterat på skyddet enligt illustrationen. I annat fall kan följden bli allvarliga personsador.

⚠ FÖRSIKTIGT: Var försiktig så att du inte skadar dig själv på skärbladet som skär av nylontråden.

Fäst skyddet på klämman med bultar.

► **Fig.19:** 1. Klämma 2. Skydd 3. Kniv

Montera skärverktyget

OBS: Vilken typ av skärverktyg som medföljer som standardtillbehör varierar beroende på land. Skärverktyget ingår inte i vissa länder.

OBS: Vänd verktyget upp och ned så att du enkelt kan byta ut skärverktyget.

Skärkniv

⚠ FÖRSIKTIGT: Vid hantering av skärkniv måste du alltid använda handskar och sätta på skyddet på kniven.

⚠ FÖRSIKTIGT: Skärkniven måste vara ordentligt slipad och fri från sprickor och brott. Om skärkniven träffar en sten, stång av verktyget och kontrollera genast kniven.

⚠ FÖRSIKTIGT: Använd alltid skärkniven med den diameter som beskrivs i avsnittet om specifikationer.

► **Fig.20:** 1. Mutter 2. Lock 3. Klämbrixa 4. Skärkniv
5. Spindel 6. Skydd 7. Spindellåsknapp

1. Montera skärkniven på sprängskyddet så att pilarna på skärkniven och skyddet pekar i samma riktning.

► **Fig.21:** 1. Pil

2. Sätt klämbrixa och locket på skärkniven.

3. Håll ner spindellåsknappen och vrid samtidigt åt muttern ordentligt med den fasta nyckeln.

► **Fig.22:** 1. Spindellåsknapp 2. Fast nyckel 3. Lossa 4. Dra åt

Ta bort skärkniven genom att lossa muttern samtidigt som du håller ner spindellåsknappen.

Trimmerhuvud

OBSERVERA: Använd endast Makitas originaltrimmerhuvud.

Håll ner spindellåsknappen och placera samtidigt trimmerhuvudet på spindeln och dra åt det ordentligt för hand.

► **Fig.23:** 1. Trimmerhuvud 2. Spindel 3. Spindellåsknapp 4. Lossa 5. Dra åt

Ta bort trimmerhuvudet genom att lossa Trimmerhuvudet samtidigt som du håller ner spindellåsknappen.

Plastkniv

OBSERVERA: Använd endast Makitas originalplastkniv.

Håll ner spindellåsknappen och placera samtidigt plastkniven på spindeln och dra åt den ordentligt för hand.

► **Fig.24:** 1. Plastkniv 2. Spindel 3. Spindellåsknapp 4. Lossa 5. Dra åt

Ta bort plastkniven genom att lossa plastkniven samtidigt som du håller ner spindellåsknappen.

OBS: Du kan använda den tillhörande insexnyckeln för att installera/ta bort skärverktyget. Sätt i insexnyckeln i hålet enligt bilden för att låsa spindeln.

► **Fig.25:** 1. Insexnyckel 2. Hål

⚠ FÖRSIKTIGT: Använd alltid de medföljande nycklarna för att installera/ta bort skärverktyget.

⚠ FÖRSIKTIGT: Se till att ta bort insexnyckeln som är insatt i verktygshuvudet efter att skärverktyget monterats.

Justera handtag/ upphängningsposition

Justera handtag och upphängningsposition för bästa möjliga hantering av maskinen.

För DUR190U och DUR191U

Justera handtaget/upphängningspositionen så att verktyget kommer inom det intervall som visas nedan.

► **Fig.26**

1	Upphängningsposition från marken
2	Skärverktygets position från marken
3	Det horisontella avståndet mellan hängaren och den oskyddade delen av skärverktyget

Lossa insexbultarna i handtagsfästets nederkant. Flytta handtaget till en komfortabel arbetsposition och dra åt bultarna.

► **Fig.27:** 1. Handtagsfäste 2. Insexbult 3. Handtag

Lossa insexbultarna i upphängningen. Flytta upphängningen till en komfortabel arbetsposition och dra åt bultarna.

► **Fig.28:** 1. Insexbult 2. Upphängningsanordning

För DUR190L och DUR191L

Lossa insexbultarna på handtaget. Flytta handtaget till en komfortabel arbetsposition och dra åt bultarna.

► **Fig.29:** 1. Insexbult 2. Handtag

Lossa insexbulten i upphängningen. Flytta upphängningen till en komfortabel arbetsposition och dra åt bulten.

► **Fig.30:** 1. Insexbult 2. Upphängningsanordning

Förvaring av insexnyckel

Förvara insexnyckeln enligt figuren när den inte används, så att du alltid har den till hands.

► **Fig.31:** 1. Insexnyckel

Endast för DUR190L och DUR191L

► **Fig.32:** 1. Handtag 2. Insexnyckel

ANVÄNDNING

Fästa axelbandet

⚠ FÖRSIKTIGT: Använd alltid axelbandet som sitter fast på verktyget. Justera axelbandet efter användarens storlek före användning för att förhindra utmattnig.

⚠ FÖRSIKTIGT: Se till före användning att axelbandet sitter ordentligt fast på hängaren på verktyget.

Anslut kroken på bärselen till upphängningen och ta på dig bärselen. Se till att maskinen hålls upp ordentligt av bärselen.

DUR190U och DUR191U

► **Fig.33:** 1. Krok 2. Upphängningsanordning

DUR190L och DUR191L

► **Fig.34:** 1. Krok 2. Upphängningsanordning

Frigöra spännet

Bärselen har en snabbkoppling.

DUR190U och DUR191U

► **Fig.35:** 1. Remsa

Dra i remmen för att lossa maskinen från bärremmen.

DUR190L och DUR191L

► **Fig.36:** 1. Spänne

Tryck bara på sidorna av spännet för att lösgöra maskinen från bärselen.

Korrekt hantering av verktyget

⚠ VARNING: Håll alltid maskinen på din högra sida. Genom att ha maskinen rätt placerad får du maximal kontroll, och riskerna för allvarliga personskador på grund av bakåtkast minskas.

⚠ VARNING: Var ytterst försiktig så att du alltid behåller kontrollen över maskinen. Låt aldrig maskinen vridas mot dig eller någon annan i närheten. Om du mister kontrollen över maskinen kan detta orsaka allvarliga personskador på åskådare eller dig själv.

⚠ VARNING: För att undvika olyckor ska ett avstånd på 15 m (50 fot) hållas mellan användare när två eller fler användare arbetar inom samma område. Utse en person som håller uppsikt över avståndet mellan användarna. Om någon eller ett djur kommer in i arbetsområdet måste arbetet genast avbrytas.

⚠ FÖRSIKTIGT: Om skärverktyget oavsiktligt slår emot en sten eller ett hårt föremål under användningen ska verktyget stängas av och inspekteras för eventuella skador. Om skärverktyget är skadat ska det genast bytas ut. Om du använder ett skadat skärverktyg kan det orsaka allvarlig personskada.

⚠ FÖRSIKTIGT: Ta bort bladskyddet från skärkniven när gräset klipps.

Rätt placering och hantering ger bästa möjliga kontroll och minskar risken för personskada på grund av bakåtkast.

DUR190U och DUR191U

► Fig.37

DUR190L och DUR191L

► Fig.38

När ett trimmerhuvud används (stöt- och matartyp)

Trimmerhuvudet är ett dubbelfunktionellt grästrimmerhuvud med en stöt- och matarmekanism.

För att mata ut nylontråd knackar du skärhuvudet mot marken medan det roterar.

► Fig.39: 1. Effektivast skärområde

OBSERVERA: Stöt- och matarfunktionen kommer inte att fungera korrekt om trimmerhuvudet inte roterar.

OBS: Om nylontråden inte matas ut vid knackning på huvudet ska du vira upp/byt ut nylontråden genom att följa procedurerna som beskrivs i avsnittet om underhåll.

UNDERHÅLL

⚠ VARNING: Se alltid till att maskinen är avstängd och batterikassetten urtagen innan du kontrollerar eller utför underhåll på maskinen. Om du inte stänger av maskinen och tar ur batterikassetten kan maskinen oavsiktligt startas med allvarliga personskador som följd.

OBSERVERA: Använd inte bensin, förtunningsmedel, alkohol eller liknande. Missfärgning, deformation eller sprickor kan uppstå.

För att upprätthålla produktens SÄKERHET och TILLFÖRLITLIGHET bör allt underhålls- och justeringsarbete utföras av ett auktoriserat Makita servicecenter och med reservdelar från Makita.

Byta ut nylontråden

⚠ VARNING: Använd endast nylontråd med den diameter som anges i denna bruksanvisning. Använd aldrig tyngre lina, metallkabel, rep eller liknande. Det kan hända att verktyget blir skadat med allvarliga personskador som följd.

⚠ VARNING: Ta alltid bort trimmerhuvudet från verktyget när nylontråden byts ut.

⚠ VARNING: Se till att skyddet på trimmerhuvudet är ordentligt fäst på kåpan, såsom beskrivs i denna bruksanvisning. I annat fall kan det orsaka att trimmerhuvudet flyger isär vilket leder till allvarlig personskada.

Byt ut nylontråden om den inte matas ut mer. Metoden för att byta ut nylontråden varierar beroende på typen av trimmerhuvud.

95-M10L

► Fig.40

Byta ut plastkniven

Byt ut plastkniven om den är sliten eller skadad.

► Fig.41

När du installerar plastkniven passar du in riktningen på pilen på kniven med den på skyddet.

► Fig.42: 1. Pil på skyddet 2. Pil på kniven

FELSÖKNING

Innan du ber om reparation ska du först utföra en egen kontroll. Om du hittar ett problem som inte finns förklarat i bruksanvisningen ska du inte försöka att ta isär maskinen. Fråga istället ett auktoriserad servicecenter för Makita, och använd alltid reservdelar från Makita för reparationer.

Feltillstånd	Trolig orsak (felfunktion)	Åtgärd
Motorn går inte.	Batterikassetten har inte satts i.	Sätt i batterikassetten.
	Batteriproblem (underspänning)	Ladda upp batteriet. Om det inte hjälper att ladda batteriet byter du ut det.
	Drivsystelet fungerar inte som det ska.	Lämna in till ditt lokala auktoriserade servicecenter för reparation.
Motorn stannar efter en kort stunds användning.	Batterinivån är låg.	Ladda upp batteriet. Om det inte hjälper att ladda batteriet byter du ut det.
	Överhetning.	Sluta använda maskinen och låt den svalna.
Motorn når inte maximalt varvtal.	Batteriet är felaktigt isatt.	Sätt i batterikassetten enligt anvisningarna i denna bruksanvisning.
	Batterinivån sjunker.	Ladda upp batteriet. Om det inte hjälper att ladda batteriet byter du ut det.
	Drivsystelet fungerar inte som det ska.	Lämna in till ditt lokala auktoriserade servicecenter för reparation.
Trimmerverktyget roterar inte: ⇒ Stoppa maskinen omedelbart!	Främmande föremål som grenar har fastnat mellan skyddet och skärverktyget.	Ta bort det främmande föremålet.
	Drivsystelet fungerar inte som det ska.	Lämna in till ditt lokala auktoriserade servicecenter för reparation.
Onormal vibration: ⇒ Stoppa maskinen omedelbart!	Ena änden av nylontråden har gått av.	Knacka trimmerhuvudet lätt mot marken medan det roterar så att nylontråden börjar matas ut.
	Drivsystelet fungerar inte som det ska.	Lämna in till ditt lokala auktoriserade servicecenter för reparation.
Trimmerverktyget och motorn stannar inte: ⇒ Ta omedelbart ur batteriet!	Elektriska eller elektroniska fel.	Ta ur batteriet och lämna in till ditt lokala auktoriserade servicecenter för reparation.

VALFRIA TILLBEHÖR

⚠ VARNING: Använd endast de rekommenderade tillbehören eller tillsatserna som anges i denna bruksanvisning. Om något annat tillbehör eller tillsats används kan det resultera i allvarig personskada.

⚠ FÖRSIKTIGT: Följande tillbehör eller tillsatser rekommenderas för användning med den Makita-maskin som denna bruksanvisning avser. Om andra tillbehör eller tillsatser används kan det uppstå risk för personskador. Använd endast tillbehören eller tillsatserna för de syften de är avsedda för.

Kontakta ditt lokala Makita servicecenter om du behöver ytterligare information om dessa tillbehör.

- Skärkniv
- Trimmerhuvud
- Nylontråd (kaptråd)
- Plastkniv
- Makitas originalbatteri och -laddare

OBS: Några av tillbehören i listan kan vara inkluderade i maskinpaketet som standardtillbehör. De kan variera mellan olika länder.

TEKNISKE DATA

Modell:		DUR190U	DUR190L	DUR191U	DUR191L
Type håndtak		Sykkelhåndtak	Bøylehåndtak	Sykkelhåndtak	Bøylehåndtak
Hastighet uten belastning		3: 6 000 min ⁻¹ 2: 5 100 min ⁻¹ 1: 3 500 min ⁻¹			
Total lengde (uten skjæreverktøy)		1 775 mm			
Nylontrådens diameter		2,0 – 2,4 mm			
Passende skjæreverktøy og skjærediameter	3-tannet blad (delnr. 191J34-5)	230 mm			
	4-tannet blad (delnr. 729025-2)	230 mm			
	Nylontrimmerhode (delnr. 126674-0)	300 mm			
	Plastblad (delnr. 126642-3)	230 mm			
Nominell spenning		DC 18 V			
Nettovekt		3,1 - 3,4 kg	2,9 - 3,2 kg	3,4 - 3,7 kg	3,2 - 3,5 kg

- På grunn av vårt kontinuerlige forsknings- og utviklingsprogram kan spesifikasjonene som oppgis i dette dokumentet endres uten varsel.
- Spesifikasjonene kan variere fra land til land.
- Vekten kan variere avhengig av tilbehøret/tilbehørene, inkludert batteriet. Den letteste og tyngste kombinasjonen, i henhold til EPTA-prosedyre 01/2014, vises i tabellen.

Passende batteri og lader

Batteriinnsett	BL1815N / BL1820 / BL1820B / BL1830 / BL1830B / BL1840 / BL1840B / BL1850 / BL1850B / BL1860B
Lader	DC18RC / DC18RD / DC18RE / DC18SD / DC18SE / DC18SF / DC18SH

- Noen av batteriene og laderne som er opplistet ovenfor er kanskje ikke tilgjengelige, avhengig av hvor du bor.

⚠ADVARSEL: Bruk kun de batteriene og laderne som er opplistet ovenfor. Bruk av andre batterier og ladere kan føre til personskader og/eller brann.

Anbefalt batteriadapter

Batteriadapter	PDC01
----------------	-------

- Batteriadapteren/batteriadapterne som er opplistet ovenfor er kanskje ikke tilgjengelige, avhengig av hvor du bor.
- Før du bruker en batteriadapter, må du lese instruksjonene og advarslene på batteriadapteren.

Modell DUR190U

Skjæreverktøy	Lydtrykknivå (L_{pA}) dB(A)		Lydeffektnivå (L_{WA}) dB(A)		Gjeldende standard
	L_{pA} dB(A)	Usikkerhet (K) dB (A)	L_{WA} dB(A)	Usikkerhet (K) dB (A)	
4-tannet blad	77,0	3,9	91,6	2,4	ISO22868 (ISO11806-1)
Nylontrimmerhode	74,0	1,9	87,1	0,9	ISO22868 (ISO11806-1)/ EN50636-2-91
Plastblad	75,6	1,3	85,9	2,1	ISO22868 (ISO11806-1)/ EN50636-2-91

Modell DUR190L

Skjæreverktøy	Lydtrykknivå (L_{pA}) dB(A)		Lydeffektnivå (L_{WA}) dB(A)		Gjeldende standard
	L_{pA} dB(A)	Usikkerhet (K) dB (A)	L_{WA} dB(A)	Usikkerhet (K) dB (A)	
4-tannet blad	77,0	3,9	91,6	2,4	ISO22868 (ISO11806-1)
Nylontrimmerhode	74,0	1,9	87,1	0,9	ISO22868 (ISO11806-1)/ EN50636-2-91
Plastblad	75,6	1,3	85,9	2,1	ISO22868 (ISO11806-1)/ EN50636-2-91

Modell DUR191U

Skjæreverktøy	Lydtrykknivå (L_{pA}) dB(A)		Lydeffektnivå (L_{WA}) dB(A)		Gjeldende standard
	L_{pA} dB(A)	Usikkerhet (K) dB (A)	L_{WA} dB(A)	Usikkerhet (K) dB (A)	
4-tannet blad	77,0	3,9	91,6	2,4	ISO22868 (ISO11806-1)
Nylontrimmerhode	74,0	1,9	87,1	0,9	ISO22868 (ISO11806-1)/ EN50636-2-91
Plastblad	75,6	1,3	85,9	2,1	ISO22868 (ISO11806-1)/ EN50636-2-91

Modell DUR191L

Skjæreverktøy	Lydtrykknivå (L_{pA}) dB(A)		Lydeffektnivå (L_{WA}) dB(A)		Gjeldende standard
	L_{pA} dB(A)	Usikkerhet (K) dB (A)	L_{WA} dB(A)	Usikkerhet (K) dB (A)	
4-tannet blad	77,0	3,9	91,6	2,4	ISO22868 (ISO11806-1)
Nylontrimmerhode	74,0	1,9	87,1	0,9	ISO22868 (ISO11806-1)/ EN50636-2-91
Plastblad	75,6	1,3	85,9	2,1	ISO22868 (ISO11806-1)/ EN50636-2-91

- Selv om gjennomsnittlig lydtrykknivå er oppført over som 80 dB (A) eller mindre, kan lyden når maskinen er i gang overskride 80 dB (A). Bruk hørselsvern.

MERK: Den/de oppgitte verdi(e) for genererte vibrasjoner har blitt målt i henhold til standard testmetoder, og kan bli brukt til å sammenligne ett verktøy med et annet.

MERK: Den/de angitte verdi(e) for de genererte vibrasjonene kan også brukes til en foreløpig vurdering av eksponeringen.

⚠ ADVARSEL: Bruk hørselsvern.

⚠ ADVARSEL: De genererte vibrasjonene ved faktisk bruk av elektroverktøyet kan avvike fra den/de angitte vibrasjonsverdien(e), avhengig av hvordan verktøyet brukes.

⚠ ADVARSEL: Sørg for å identifisere vernetiltak for å beskytte operatøren, som er basert på et estimat av eksponeringen under de faktiske bruksforholdene (idet det tas hensyn til alle deler av driftssyklusen, dvs. hvor lenge verktøyet er slått av, hvor lenge det går på tomgang og hvor lenge startbryteren faktisk holdes trykket).

Vibrasjoner

Modell DUR190U

Skjæreverktøy	Venstre hånd		Høyre hånd		Gjeldende standard
	$a_{h,w}$ (m/s ²)	Usikkerhet K (m/s ²)	$a_{h,w}$ (m/s ²)	Usikkerhet K (m/s ²)	
4-tannet blad	≤ 2,5	1,5	≤ 2,5	1,5	ISO22867 (ISO11806-1)
Nylontrimmerhode	≤ 2,5	1,5	≤ 2,5	1,5	ISO22867 (ISO11806-1)
Plastblad	≤ 2,5	1,5	≤ 2,5	1,5	ISO22867 (ISO11806-1)

Modell DUR190L

Skjæreverktøy	Venstre hånd		Høyre hånd		Gjeldende standard
	$a_{h,w}$ (m/s ²)	Usikkerhet K (m/s ²)	$a_{h,w}$ (m/s ²)	Usikkerhet K (m/s ²)	
4-tannet blad	≤ 2,5	1,5	≤ 2,5	1,5	ISO22867 (ISO11806-1)
Nylontrimmerhode	≤ 2,5	1,5	≤ 2,5	1,5	ISO22867 (ISO11806-1)
Plastblad	≤ 2,5	1,5	≤ 2,5	1,5	ISO22867 (ISO11806-1)

Modell DUR191U

Skjæreverktøy	Venstre hånd		Høyre hånd		Gjeldende standard
	$a_{h,w}$ (m/s ²)	Usikkerhet K (m/s ²)	$a_{h,w}$ (m/s ²)	Usikkerhet K (m/s ²)	
4-tannet blad	≤ 2,5	1,5	≤ 2,5	1,5	ISO22867 (ISO11806-1)
Nylontrimmerhode	≤ 2,5	1,5	≤ 2,5	1,5	ISO22867 (ISO11806-1)
Plastblad	≤ 2,5	1,5	≤ 2,5	1,5	ISO22867 (ISO11806-1)

Modell DUR191L

Skjæreverktøy	Venstre hånd		Høyre hånd		Gjeldende standard
	$a_{h,w}$ (m/s ²)	Usikkerhet K (m/s ²)	$a_{h,w}$ (m/s ²)	Usikkerhet K (m/s ²)	
4-tannet blad	≤ 2,5	1,5	≤ 2,5	1,5	ISO22867 (ISO11806-1)
Nylontrimmerhode	≤ 2,5	1,5	≤ 2,5	1,5	ISO22867 (ISO11806-1)
Plastblad	≤ 2,5	1,5	≤ 2,5	1,5	ISO22867 (ISO11806-1)

MERK: Den/de oppgitte verdien(e) for totalt genererte vibrasjoner har blitt målt i henhold til standard testmetoder, og kan bli brukt til å sammenligne ett verktøy med et annet.

MERK: Den/de angitte verdien(e) for totalt genererte vibrasjoner kan også brukes til en foreløpig vurdering av eksponeringen.

⚠ ADVARSEL: De genererte vibrasjonene ved faktisk bruk av elektroverktøyet kan avvike fra den/de angitte vibrasjonsverdien(e), avhengig av hvordan verktøyet brukes og spesielt i forhold til arbeidsstykket som blir behandlet.

⚠ ADVARSEL: Sørg for å identifisere vernetiltak for å beskytte operatøren, som er basert på et estimat av eksponeringen under de faktiske bruksforholdene (idet det tas hensyn til alle deler av driftssyklusen, dvs. hvor lenge verktøyet er slått av, hvor lenge det går på tomgang og hvor lenge startbryteren faktisk holdes trykket).

Symboler

Nedenfor ser du symbolene som brukes for dette utstyret. Forviss deg om at du forstår hva de betyr, før du begynner å bruke maskinen.



Vær spesielt forsiktig og oppmerksom.



Les bruksanvisningen.



Hold minst 15 m. avstand.



Vær oppmerksom på at objekter kan bli kastet ut.



Forsiktig. Tilbakeslag



Bruk hjelm, vernebriller og hørselsvern.



Bruk vernehansker.



Bruk robust fottey med såler som gir godt feste. Vernesko med stålkappe anbefales.



Må ikke utsettes for fuktighet.



Kun for land i EU
Kast aldri elektroutstyr eller batteripakker i husholdningsavfallet! I henhold til EU-direktivene om kasserte elektriske og elektroniske produkter og om batterier og akkumulatører og brukte batterier og akkumulatører og direktivenes iverksetting i nasjonal rett, må elektriske produkter og batterier og batteripakker som ikke lenger skal brukes, samles separat og returneres til et miljøvennlig gjenvinningsanlegg.

EFs samsvarserklæring

Gjelder kun for land i Europa

EFs samsvarserklæring er lagt til som vedlegg A i denne bruksanvisningen.

SIKKERHETSADVARSEL

Generelle advarsler angående sikkerhet for elektroverktøy

⚠ ADVARSEL: Les alle sikkerhetsadvarsler, instruksjoner, illustrasjoner og spesifikasjoner som følger med dette elektroverktøyet. Hvis ikke alle instruksjonene nedenfor følges, kan det forekomme elektrisk støt, brann og/eller alvorlig skade.

Oppbevar alle advarsler og instruksjoner for senere bruk.

Uttrykket «elektrisk verktøy» i advarslene refererer både til elektriske verktøy (med ledning) tilkoblet strømnett, og batteridrevne verktøy (uten ledning).

Viktige sikkerhetsanvisninger for verktøyet

⚠ ADVARSEL: Les alle sikkerhetsadvarslene og alle instruksjonene. Hvis du ikke følger alle advarslene og instruksjonene som er oppført nedenfor, kan det føre til elektriske støt, brann og/eller alvorlige helseskader.

Oppbevar alle advarsler og instruksjoner for fremtidig bruk.

Riktig bruk

1. Dette verktøyet er kun beregnet på trimming av gress, ugress, busker og underskog. Den skal ikke brukes til andre formål, som kantklipping eller hekktrimming, da dette kan medføre helseskader.

Generelle anvisninger

1. Du må ikke la dette utstyret brukes av personer som er ukjent med disse instruksjonene, personer (inklusive barn) med reduserte fysiske evner, sanseevner eller mentale evner, eller som mangler erfaring og kunnskap. Barn skal holdes under tilsyn for å sikre at de ikke leker med verktøyet.
2. Les denne bruksanvisningen før du begynner å bruke verktøyet for å gjøre deg kjent med hvordan du håndterer verktøyet.
3. Du må ikke låne bort verktøyet til en person med utilstrekkelig erfaring eller kunnskap om håndtering av skogryddere og gresstrimmere med snor.
4. Ved utlån av verktøyet må du alltid legge ved denne bruksanvisningen.
5. Verktøyet må brukes med største forsiktighet og oppmerksomhet.
6. Du må aldri bruke verktøyet under påvirkning av alkohol eller legemidler eller hvis du er trøtt eller føler deg dårlig.
7. Du må aldri forsøke å modifisere verktøyet.
8. Følg ditt lands forskrifter for håndtering av skogryddere og gresstrimmere med snor.

Personlig verneutstyr

► Fig.1

1. Bruk sikkerhetshjelm, vernebriller og vernehansker for å beskytte deg selv mot flygende eller fallende gjenstander.
2. Bruk hørselsvern, f.eks. øreklokker, for å unngå hørselstap.

3. **Bruk relevante klær og sko for sikkert arbeid, f.eks. arbeidsoverall og robuste, sklisliske sko. Ikke bruk løse klær eller smykker.** Løse klær, smykker eller langt hår kan sette seg fast i bevegelige deler.
4. **Bruk alltid vernehansker når du berører skjærebladet.** Skjæreblader kan føre til alvorlige kuttskader på ubeskyttede hender.

Sikkerhet på arbeidsplassen

1. **Bruk verktøyet kun i dagslys og når sikten er god. Ikke bruk verktøyet i mørke eller tåke.**
2. **Ikke bruk verktøyet i eksplosive atmosfærer, f.eks. i nærheten av brennbare væsker, gasser eller støv.** Elektriske verktøy avgir gnister som kan antenne støv eller gasser.
3. **Du må aldri stå på ustøtt eller glatt underlag eller i en bratt skråning mens du arbeider. Vær oppmerksom på is og snø i den kalde årstiden, og sørg alltid for at du har sikkert fotfeste.**
4. **Andre personer eller dyr må holdes på minst 15 meters avstand når verktøyet er i bruk. Stans verktøyet umiddelbart så snart noen nærmer seg.**
5. **Aldri bruk verktøyet mens uvedkommende, særlig barn og kjæledyr er i nærheten.**
6. **Undersøk området for steiner og andre harde gjenstander før du begynner å bruke skogsgrydderen.** Slike gjenstander kan bli slynget utover eller forårsake farlige tilbakeslag og føre til alvorlige personskader og/eller skader på eiendom.
7. **⚠️ADVARSEL:** Bruk av dette produktet kan utvikle kjemikalieinnholdig støv som kan forårsake pusteproblemer eller andre sykdommer. Noen eksempler på disse kjemiske stoffene finnes i pesticider, insektmidler, gjødsel og herbicider. Risikoen fra denne eksponeringen varierer, avhengig av hvor ofte du gjør denne typen arbeid. Slik kan du redusere faren for å eksponeres for disse kjemiske stoffene: Utfør arbeidet i et godt ventilt område, og bruk godkjent verneutstyr, for eksempel støvmasker som er spesialkonstruert for å filtrere ut mikroskopiske partikler.

Elektrisk sikkerhet og batterisikkerhet

1. **Ikke eksponer verktøyet for regn eller fuktighet.** Hvis det kommer vann inn i verktøyet, vil risikoen for elektriske støt øke.
2. **Ikke bruk verktøyet hvis det ikke kan slås på og av med startbryteren.** Et verktøy som ikke kan kontrolleres med startbryteren, er farlig og må repareres.
3. **Unngå utilsiktet start. Pass på at bryteren er i av-stillingen før du kobler maskinen til et batteri, tar opp maskinen eller går rundt med den.** Hvis du bærer verktøyet med fingeren på bryteren eller kobler strøm til verktøyet med bryteren i på-stillingen, kan det lett oppstå ulykker.
4. **Ikke kast batteriet (batteriene) på åpen ild.** Cellen kan eksplodere. Batterier skal leveres til en forhandler av elektrotutstyr eller til et kommunalt avfallsmottak.
5. **Ikke åpne eller ødelegg batteriet (batteriene).** Elektrolytt som lekker ut er korroderende, og kan forårsake skader på øyne og hud. Den kan være giftig hvis den svelges.
6. **Ikke skift batteri når det regner, eller i fuktige omgivelser.**

Oppstart

1. **Ta ut batteriinnsetsen før montering og tilpassning av verktøyet.**
2. **Bruk alltid vernehansker når du skal håndtere skjærebladet.**
3. **Kontroller verktøyet for skader, løse skruer/muttere eller uriktig montering før du setter inn batteriinnsetsen. Skjerp sløve skjæreblad. Hvis skjærebladet er bøyd eller ødelagt, må det skifte det ut. Kontroller at alle kontrollspaker og brytere lar seg enkelt betjene. Rengjør og tork håndtakene.**
4. **Forsøk aldri å starte verktøyet hvis kantklipperen er ødelagt eller ikke fullstendig montert.** Det kan føre til alvorlig skade.
5. **Tilpass skuldersonen og håndtaksgrepet slik at de passer til brukerens kropp.**
6. **Hold trimmeenheten vekk fra kroppen din eller andre objekter, inkludert bakken, når du setter inn et batteri.** Den kan rotere under oppstarten og føre til alvorlig personskade eller skade på utstyret og/eller eiendom.
7. **Fjern eventuelle justeringsnøkler, skrunøkler eller skjærebladdeksler før du slår på verktøyet.** Tilbehør som glemmes på en roterende del av verktøyet, kan forårsake personskade.
8. **Skjæreverktøyet må være utstyrt med det riktige vernet. Utstyret må aldri kjøres med ødelagte vern eller uten at vernene er på plass!**
9. **Pass på at det ikke finnes noen elektriske kabler, vannrør, gassrør, osv. som kan utgjøre en fare hvis de blir skadet av verktøyet.**

Bruk

1. **I et nødtilfelle skal verktøyet slås av øyeblikkelig.**
2. **Hvis du opplever noe uvanlig (f.eks. støy, vibrasjon) under bruk, må du slå av verktøyet og ta ut batteriinnsetsen. Ikke bruk verktøyet før årsaken er funnet og rettet opp.**
3. **Trimmeenheten fortsetter å rotere en kort periode etter at verktøyet er skrudd av. Vent litt før du berører trimmeenheten.**
4. **Bruk skuldersonen under utføring av arbeidet. Hold verktøyet i et fast grep på din høyre side.**
5. **Ikke strekk deg for langt. Pass alltid på at du holder balansen og har godt fotfeste. Se opp for skjulte gjenstander, for eksempel trestubber, røtter og grøfter, for å unngå at du snubler.**
6. **Pass på at du har godt fotfeste i skråningen.**
7. **Gå, ikke løp.**
8. **Du må aldri arbeide fra et tre eller en stige, etter som dette kan føre til at du mister kontrollen.**
9. **Hvis utstyret blir utsatt for kraftige støt eller fall, må du kontrollere tilstanden før du fortsetter arbeidet. Se etter svikt i kontrollene og sikkerhetsinnretningene. Hvis du er i tvil om verktøyet er skadet, kan du kontakte vårt autoriserte servicesenter for inspeksjon og reparasjon.**
10. **Ta pauser for å unngå at du mister kontrollen på grunn av tretthet.** Vi anbefaler at du tar en pause på 10–20 minutter hver time.
11. **Ta alltid ut batteriinnsetsen når du legger fra deg verktøyet, selv for et kort tidsrom.** Verktøy med batteriet i seg og som ikke er under oppsikt, kan komme ikke-autoriserte personer i hende, og resultatet kan bli alvorlige ulykker.

12. Hvis gress eller greiner setter seg fast mellom trimmeenheten og verneskjoldet, må du alltid slå av verktøyet og fjerne batteriinnsetningen før rengjøring. Hvis dette ikke gjøres, kan trimmeenheten rotere ukontrollert og forårsake alvorlig personskade.
13. Ikke rør farlige bevegelige deler før disse delene har stoppet helt og batteriinnsetningen er tatt ut.
14. Hvis trimmeenheten treffer steiner eller andre harde objekter må du umiddelbart skru av verktøyet. Fjern deretter batteriet, og inspiser trimmeenheten.
15. Kontroller trimmeenheten for sprekker og skader regelmessig. Ta ut batteriinnsetningen og vent til trimmeenheten har stanset helt før du utfører inspeksjonen. En ødelagt trimmeenhet må skiftes ut omgående, selv hvis den kun har sprekker i overflaten.
16. Skjær aldri over midjehøyde.
17. Vent til trimmeenheten når en konstant hastighet etter at du har startet verktøyet før du starter trimmearbeidet.
18. Når du bruker et skjæreblad, må du svinge verktøyet jevnt i en halvsirkel fra høyre til venstre, som en ljà.
19. Du må bare holde verktøyet i de isolerte gripeflatene, ellersom skjærebladet kan komme i kontakt med skjulte ledninger. Skjæreblader som berører en strømførende ledning, kan gjøre at metalldelene på verktøyet blir strømførende og gi brukeren elektrisk støt.
20. Ikke start verktøyet når skjæreverktøyet er fullt av kuttet gress.
21. Før du starter verktøyet må du passe på at skjæreverktøyet ikke berører bakken og andre hindringer, som et tre.
22. Når du bruker verktøyet, må du alltid holde det med begge hender. Verktøyet må aldri holdes med én hånd mens det er i bruk.
23. Ikke bruk verktøyet i dårlig vær hvis det er fare for lyn.

Skjæreverktøy

1. Ikke bruk et skjæreverktøy som ikke er anbefalt av oss.
2. Bruk en trimmeenhet som er egnet for den jobben som skal gjøres.
 - Nylontrimmerhoder (trimmerhoder med tråd) og plastblad egner seg til trimming av plengress.
 - Skjæreblader egner seg for kutting av ugress, høyt gress, busker, greiner, underskog, kratt og lignende.
 - Bruk aldri andre blader, inkludert svingbare metallkjeder med flere ledd og sliu-blader. Dette kan føre til alvorlige skader.
3. Du må bare bruke skjæreverktøyene som er merket med en hastighet som er lik eller høyere enn hastigheten som er avmerket på verktøyet.
4. Du må alltid holde hendene, ansiktet og klesplagg unna skjæreverktøyet når det roterer. Hvis ikke, kan det føre til personskader.
5. Bruk alltid den passende trimmeenhetsbeskyttelsen til den trimmeenheten som brukes.

6. Når du bruker skjæreblader, må du unngå tilbakeslag og alltid være forberedt på et utilsikket tilbakeslag. Se i avsnittet om tilbakeslag.
7. Når verktøyet ikke er i bruk må bladdekelet settes på bladet. Ta av dekelet før bruk.

Tilbakeslag (bladstøt)

1. Et tilbakeslag (bladstøt) er en plutselig reaksjon fra et skjæreblad som har satt seg fast eller holdes fast. Hvis dette oppstår, kastes verktøyet til siden eller mot brukeren med stor kraft og kan forårsake alvorlig personskade.
2. Tilbakeslag oppstår særlig når du bruker bladsegmentet mellom 12- og 2-posisjonen på faste gjenstander, busker og trær som har en diameter på 3 cm eller mer.

► Fig.2

3. Slik unngår du tilbakeslag:
 1. Bruk segmentet mellom 8- og 11-posisjonen.
 2. Bruk aldri segmentet mellom 12- og 2-posisjonen.
 3. Bruk aldri segmentet mellom 11- og 12-posisjonen eller mellom 2- og 5-posisjonen hvis du ikke har grundig opplæring og mye erfaring og gjør dette på din egen risiko.
 4. Bruk aldri skjærebladene i nærheten av faste gjenstander som gjerder, vegger, trestammer eller steiner.
 5. Bruk aldri skjærebladene vertikalt, f.eks. til kantklipping eller trimming av hekker.

► Fig.3

Vibrasjoner

1. Hvis personer med dårlig blodomløp utsettes for kraftige vibrasjoner, kan det oppstå skade på blodkar eller nervesystemet. Som følge av vibrasjoner kan følgende symptomer oppstå på fingre, hender eller håndledd: "Soving" (nummenhet i kroppsdeler), kiling, smerter, stikkende følelser, endring av hudfargen eller av huden. Oppsøk lege hvis disse symptomene oppstår!
2. For å unngå faren for å få "hvite fingre-syndrom", må du holde hendene varme under bruk og vedlikeholde verktøyet og tilbehøret godt.

Transport

1. Skru av verktøyet og ta ut batteriet før transport. Fest dekelet til skjærebladet.
2. Når verktøyet transporteres, må du bære det i horisontal stilling ved å holde i skaftet.
3. Når verktøyet skal transporteres i et kjøretøy, må du feste det godt for å unngå at det velter. Hvis dette ikke gjøres, kan det oppstå skade på verktøyet og annen bagasje.

Vedlikehold

1. Se til at verktøyet betjenes av vårt autoriserte servicecenter; bruk alltid bare originale erstatningsdeler. Feil reparasjon og dårlig vedlikehold kan forkorte levetiden til verktøyet og øke risikoen for ulykker.
2. Før du utfører vedlikehold eller reparasjoner eller rengjør verktøyet, må du alltid skru det av og ta ut batteriinnsetningen.

3. **Bruk alltid vernehansker når du håndterer skjærebladet.**
4. **Rengjør alltid verktøyet for støv og smuss. Du må aldri bruke bensin, rensesubstans, tynner, alkohol eller lignende for dette arbeidet.** Dette kan føre til misfarging, deformering eller sprekkdannelse i plastkomponentene.
5. **Stram til alle skruer og muttere hver gang etter bruk.**
6. **Ikke prøv å utføre vedlikehold eller reparasjoner som ikke er beskrevet i bruksanvisningen. Kontakt et autorisert servicesenter for slikt arbeid.**
7. **Bruk alltid kun våre originale tilbehørs- og reservedeler.** Hvis du bruker deler og tilbehør fra tredjepart, kan dette resultere i svikt av verktøyet, ødeleggelse av eiendom og/eller alvorlig personskade.
8. **Kontakt vårt autoriserte servicesenter for regelmessig inspeksjon og vedlikehold av verktøyet.**
9. **Verktøyet må alltid holdes i tipp topp stand.** Dårlig vedlikehold kan føre til forringet ytelse og forkorte levetiden til verktøyet.
5. **Ikke kortslutt batteriet:**
 - (1) **De kan være ekstremt varme og du kan brenne deg.**
 - (2) **Ikke lagre batteriet i samme beholder som andre metallgjenstander, som for eksempel spiker, mynter osv.**
 - (3) **Ikke la batteriet komme i kontakt med vann eller regn.**

En kortslutning av batteriet kan føre til et kraftig strømstøt, overoppvarming, mulige forbrenninger og til og med til at batteriet går i stykker.
6. **Ikke lagre maskinen og batteriet på steder hvor temperaturen kan komme opp i eller overskride 50 °C.**
7. **Ikke sett fyr på batteriet, ikke engang om det er sterkt skadet eller helt utslitt. Batteriet kan eksplodere hvis det begynner å brenne.**
8. **Vær forsiktig så du ikke mister batteriet eller utsetter det for slag.**
9. **Ikke bruk batterier som er skadet.**
10. **Lithium-ion-batteriene som medfølger er gjenstand for krav om spesialavfall.** For kommersiell transport, f.eks av tredjeparter eller speditorer, må spesielle krav om pakking og merking følges. For varen blir sendt, må du forhøre deg med en ekspert på farlig materiale. Ta også hensyn til muligheten for mer detaljerte nasjonale bestemmelser. Bruk teip eller maskeringsteip for å skjule åpne kontakter og pakk inn batteriet på en slik måte at den ikke kan bevege seg rundt i emballasjen.

Oppbevaring

1. **Utfør fullstendig rengjøring og vedlikehold av verktøyet før det legges til oppbevaring. Ta ut batteriinnsetningen. Fest dekslet til skjærebladet.**
2. **Oppbevar verktøyet på et tørt og høyt eller låst sted som er utilgjengelig for barn.**
3. **Ikke len verktøyet opp mot noe, for eksempel en vegg.** Ellers kan det føre til at det plutselig faller og kan forårsake personskade.

Førstehjelp

1. **Pass på at det alltid finnes et førstehjelpsett i nærheten. Brukt materiale fra førstehjelpsettet må straks byttes ut.**
2. **Hvis du ringer etter hjelp, må du oppgi følgende:**
 - Ulykkesstedet
 - Hva som har skjedd
 - Antall personer som har kommet til skade
 - Type skade
 - Navnet ditt

Viktige sikkerhetsanvisninger for batteriinnsetning

1. **Før du begynner å bruke batteriet, må du lese alle anvisninger og forsiktighetsregler på (1) batteriladeren, (2) batteriet og (3) det produktet batteriet skal brukes i.**
2. **Ikke ta fra hverandre batteriet.**
3. **Hvis driftstiden er blitt vesentlig kortere, må du omgående slutte å bruke maskinen. Hvis ikke kan resultatet bli overoppheting, mulige forbrenninger eller til og med en eksplosjon.**
4. **Hvis du får elektrolytt i øynene, må du skylle dem med store mengder rennende vann og oppsøke lege med én gang. Denne typen uhell kan føre til varig blindhet.**

11. **Når du kasserer batteriinnsetningen, må du ta den ut av verktøyet og avhende den på et sikkert sted. Følg lokale bestemmelser for avhending av batterier.**
12. **Bruk batteriene kun med produkter spesifisert av Makita.** Montere batteriene i produkter som ikke er konforme kan føre til brann, overheting eller elektrolyttlekkasje.
13. **Hvis verktøyet ikke skal brukes over en lengre periode, må batteriet tas ut av verktøyet.**

TA VARE PÅ DISSE INSTRUKSENE.

⚠FORSIKTIG: Bruk kun originale Makita-batterier. Bruk av batterier som har endret seg, eller som ikke er originale Makita-batterier, kan føre til at batteriet sprekker og forårsaker brann, personskafer og andre skader. Det vil også ugyldiggjøre garantien for Makita-verktøyet og -laderen.

Tips for å opprettholde maksimal batterilevetid

1. **Lad batteriinnsetningen før den er helt utladet. Stopp alltid driften av verktøyet og lad batteriinnsetningen når du merker at effekten reduseres.**
2. **Lad aldri en batteriinnsetning som er fulladet. Overopplading forkorter batteriets levetid.**
3. **Lad batteriet i romtemperatur ved 10 °C - 40 °C. Et varmt batteri må kjøles ned før lading.**
4. **Lad batteriet hvis det ikke har vært brukt på en lang stund (over seks måneder).**

DELEBESKRIVELSE

► Fig.4

1	Hastighetsindikator	2	ADT-indikator (ADT = Automatic Torque Drive Technology (teknologi for automatisk momentstrømming))	3	Varsellampe	4	Hovedstrømknapp
5	Reversknapp	6	Batteriinnsetts	7	Av-sperreknapp	8	Startbryter
9	Oppheng	10	Håndtak	11	Bom (landsspesifikk)	12	Vern
13	Sperreknapp (kun DUR191U og DUR191L)	14	Skjøtedeksel (kun DUR191U og DUR191L)	15	Hette (kun DUR191U og DUR191L)	16	Skuldersele

FUNKSJONS BESKRIVELSE

⚠ ADVARSEL: Forviss deg alltid om at maskinen er slått av og batteriet tatt ut, før du justerer maskinen eller kontrollerer dens mekaniske funksjoner. Hvis du ikke slår av verktøyet og fjerner batteriet, kan det hende at verktøyet starter ved et uhell, noe som kan føre til alvorlig personskade.

Sette inn eller ta ut batteri

⚠ FORSIKTIG: Stå alltid av verktøyet før du setter inn eller fjerner batteriet.

⚠ FORSIKTIG: Hold verktøyet og batteripatronen i et fast grep når du monterer eller fjerner batteripatronen. Hvis du ikke holder verktøyet og batteripatronen godt fast, kan du miste grepet, og dette kan føre til skader på verktøyet og batteripatronen samt personskader.

► Fig.5: 1. Rød indikator 2. Knapp 3. Batteriinnsetts

For å ta ut batteriet må du skyve på knappen foran på batteriet og trekke det ut.

Når du skal sette inn batteriet, må du plassere tungen på batteriet på linje med sporet i huset og skyve batteriet på plass. Skyv det helt inn til det går i inngrep med et lite klikk. Hvis du kan se den røde anviseren på oversiden av knappen, er det ikke fullstendig låst.

⚠ FORSIKTIG: Batteriet må alltid settes helt inn, så langt at den røde anviseren ikke lenger er synlig. Hvis dette ikke gjøres, kan batteriet komme til å falle ut av maskinen og skade deg eller andre som oppholder seg i nærheten.

⚠ FORSIKTIG: Ikke bruk makt når du setter i batteriet. Hvis batteriet ikke glir lett inn, er det fordi det ikke settes inn på riktig måte.

Batterivernsystem for verktøy/batteri

Verktøyet er utstyrt med et batterivernsystem for verktøy/batteri. Dette systemet slår automatisk av strømmen til motoren for å forlenge verktøyet og batteriets levetid. Verktøyet stopper automatisk under drift hvis verktøyet utsettes for en av følgende tilstander:

Varsellampe			Status
Farge	● På	● Blinker	
Rød	●	●	Overbelastning
Rød	●	●	Overoppheting
Rød	●	●	Overutlading

Overlastsikring

Hvis én følgende situasjoner oppstår ved bruk av verktøyet, vil det stanse automatisk, og varsellampen begynner å blinke rødt:

- Verktøyet blir overbelastet som følge av at ugress eller annet avfall setter seg fast.
- Skjæreværktøyet er låst eller har hatt et tilbakeslag.
- Strømknappen skrur på mens startbryteren trekkes.

I så fall frigjør du startbryteren, og ved behov fjerner du ugress eller annet avfall som har satt seg fast. Trekk deretter i startbryteren igjen for å fortsette.

⚠ FORSIKTIG: Hvis du trenger å fjerne ugress som har satt seg fast i verktøyet eller frigjøre det låste skjæreværktøyet, må verktøyet slås av før du starter.

Overopphetingsikring for verktøy/batteri

Hvis verktøyet eller batteriet blir overopphetet, stanser verktøyet automatisk. Når verktøyet eller batteriet blir overopphetet, slår hastighetsindikatoren og ADT-indikatoren seg av, og varsellampen lyser rødt. La verktøyet og/eller batteriet kjøle seg ned før du slår på verktøyet igjen.

Overutladingsvern

Når det blir lite batteri igjen, stopper verktøyet automatisk. Hastighetsindikatoren og ADT-indikatoren slår seg av, og varsellampen begynner å blinke rødt. Hvis verktøyet ikke går selv om bryterne aktiveres, må du ta batteriinnsettsen ut av verktøyet og lade det opp.

Indikere gjenværende batterikapasitet

Kun for batterier med indikatoren

► Fig.6: 1. Indikatorlamper 2. Kontrollknapp

Trykk på sjekk-knappen på batteriet for vise gjenværende batterikapasitet. Indikatorlampene lyser i et par sekunder.

Indikatorlamper			Gjenværende batterinivå
Tent	Av	Blinker	
			75 % til 100 %
			50 % til 75 %
			25 % til 50 %
			0 % til 25 %
			Lad batteriet.
			Batteriet kan ha en feil.

MERK: Det angitte nivået kan avvike noe fra den faktiske kapasiteten alt etter bruksforholdene og den omgivende temperaturen.

Strømbryter

Trykk på strømbryteren for å slå på verktøyet. Du slår av verktøyet ved å trykke på og holde strømbryteren inne en gang til.

► Fig.7: 1. Hastighetsindikator 2. Hovedstrømknapp

MERK: Verktøyet skrus av automatisk hvis den ikke er i bruk i en bestemt periode.

Bryterfunksjon

⚠ADVARSEL: Før du setter batteriet i maskinen, må du kontrollere at startbryteren beveger seg riktig og går tilbake til OFF når den slippes.

Hvis du bruker maskinen med en bryter som ikke fungerer som den skal, kan du komme til å miste kontrollen, og det kan oppstå alvorlige helseskader.

⚠FORSIKTIG: Du må aldri plassere fingeren på bryteren når du bærer verktøyet. Verktøyet kan starte utilsiktet og forårsake skade.

Maskinen er utstyrt med en låsespak som sikrer at startbryteren ikke kan trykkes inn ved en feiltakelse. Du starter verktøyet ved å ta tak i håndtaket (spærreknappen kobles ut når du tar tak i håndtaket) og trykke inn startbryteren. Du stanser verktøyet ved å slippe opp startbryteren.

DUR190U og DUR191U

► Fig.8: 1. Av-sperreknapp 2. Startbryter

DUR190L og DUR191L

► Fig.9: 1. Av-sperreknapp 2. Startbryter

MERK: Verktøyet slår seg av automatisk når verktøyet ikke har vært i bruk i bestemt periode.

Hastighetsjustering

Du kan velge hastigheten til verktøyet ved å trykke på hovedstrømknappen. Hver gang du trykker på hovedstrømknappen, vil hastighetsnivået endre seg.

► Fig.10: 1. Hastighetsindikator 2. Hovedstrømknapp 3. ADT-indikator

Hastighetsindikator	Modus	Rotasjons hastighet
	ADT	3 500 - 6 000 min ⁻¹
	Høy	6 000 min ⁻¹
	Middels	5 100 min ⁻¹
	Lav	3 500 min ⁻¹

MERK: Når du stiller inn den automatiske momentdrevteknologien (ADT), slår ADT-indikatoren seg på, og verktøyet kjører med optimal rotasjons hastighet for gressforholdene som kuttes.

Reversknapp for fjerning av avfall

⚠ADVARSEL: Slå av verktøyet og ta ut batteriet før du fjerner ugress eller avfall som har satt seg fast og som ikke blir fjernet av funksjonen for rotasjon i revers. Hvis du ikke slår av verktøyet og fjerner batteriet, kan det hende at verktøyet starter ved et uhell, noe som kan føre til alvorlig personskade.

Dette verktøyet er utstyrt med en reversbryter som lar deg endre rotasjonsretningen. Den skal bare brukes til å fjerne ugress og avfall som sitter fast i verktøyet. For å reversere rotasjonen trykker du på reversknappen samtidig som du trykker inn AV-sperrehendelen, og trykker inn startbryteren når skjæreverktøyet har stanset. Hastighetsindikatoren og ADT begynner å blinke, og skjæreverktøyet roterer i revers når du trekker i startbryteren.

Du går tilbake til vanlig rotasjon ved å slippe opp bryteren og vente til skjæreverktøyet stanser.

► Fig.11: 1. Hastighetsindikator 2. ADT-indikator 3. Reversebryter

MERK: Når verktøyet roterer i revers, vil det kun gå i en kort tid og deretter stanse automatisk.

MERK: Når verktøyet har stanset, går rotasjonsretningen tilbake til den vanlige retningen når du starter verktøyet igjen.

MERK: Hvis du trykker på reversknappen mens skjæreverktøyet fortsatt roterer, stanses verktøyet. Det er deretter klart til å rotere i revers.

Elektrisk brems

Dette verktøyet er utstyrt med elektrisk brems. Hvis verktøyet ikke stopper raskt når startbryteren slippes, må du få gjennomført service ved servicesenteret vårt.

⚠FORSIKTIG: Dette bremsesystemet er ikke en erstatning for vernet. Verktøyet må aldri brukes uten vernet på plass. Et skjæreverktøy uten vern innebærer fare for alvorlige personskader.

MONTERING

⚠ADVARSEL: Pass alltid på at maskinen er slått av og batteriet er tatt ut, før det utføres noe arbeid på verktøyet. Hvis du ikke slår av verktøyet og fjerner batteriet, kan det hende at verktøyet starter ved et uhell, noe som kan føre til alvorlig personskade.

⚠ADVARSEL: Start aldri opp verktøyet før det er fullstendig montert. Bruk av verktøyet i en delvis montert tilstand, kan resultere i alvorlig personskade ved tilfeldig oppstartning.

Montering av håndtaket

Kun for DUR190U og DUR191U

1. Sett skaftet på håndtaket inn i håndtaksfestet. Innrett skruerhullet i håndtaksfestet med det i skaftet. Stram til skruen.

► **Fig.12:** 1. Håndtak 2. Skruer 3. Håndtak

2. Plasser håndtaket mellom håndtaksklemmen og håndtakholderen. Juster håndtaket til en vinkel som gir en behagelig arbeidsstilling, og fest det så med sekskantede pipehodeskruer.

► **Fig.13:** 1. Sekskantet pipehodeskrue
2. Håndtaksklemme 3. Håndtakholder

Feste bommen

For DUR190L og DUR191L

Hvis bom følger med modellen din, fest den til håndtaket ved hjelp av skruen på bommen.

► **Fig.14:** 1. Bom 2. Skruer

⚠FORSIKTIG: Ikke ta av bommen når den først er montert. Bommen virker som en sikkerhetsinnretning som forhindrer at du kommer i kontakt med skjærebladet ved et uhell.

Montere festerøret

Kun for DUR191U og DUR191L

Monter festerøret på et drivverket.

1. Drei spaken i pilens retning som vist i figuren.

► **Fig.15:** 1. Spak

2. Dra opp skjøtedekselet, og sett inn festerøret samtidig som du innretter fremspringet på røret (skjæreverktøysiden) med den konkave delen av skjøtestykket.

► **Fig.16:** 1. Sperreknapp 2. Skjøtedeksel 3. Rør

Sørg for at overflaten av sperreknappen er parallell i forhold til røret.

3. Drei spaken i pilens retning som vist i figuren.

► **Fig.17:** 1. Spak

Når du skal fjerne røret, dreier du spaken i pilens retning som vist i figuren og drar ut røret samtidig som du trykker inn sperreknappen.

► **Fig.18:** 1. Spak 2. Sperreknapp 3. Rør

Montere vernet

⚠ADVARSEL: Aldri bruk verktøyet uten vernet som er vist på bildet. Hvis du unnlater å gjøre dette, kan det føre til alvorlig personskade.

⚠FORSIKTIG: Vær forsiktig så du ikke skader deg på kniven som kutter nylontråden.

Fest vernet til klemmen ved bruk av bolter.

► **Fig.19:** 1. Klemme 2. Vern 3. Kutter

Montere skjæreverktøyet

MERK: Typen skjæreverktøy som leveres som standard tilbehør varierer avhengig av land. I enkelte land følger skjæreverktøyet med pakken.

MERK: Snu verktøyet opp ned, slik at du lett kan skifte ut skjæreverktøyet.

Skjæreblad

⚠FORSIKTIG: Når du håndterer skjærebladet, må du alltid bruke hansker og sette bladdekselet på bladet.

⚠FORSIKTIG: Skjærebladet må være godt polert og uten sprekker eller brudd. Hvis metallbladet treffer en stein under bruk, stans verktøyet umiddelbart og kontrollerer skjærebladet.

⚠FORSIKTIG: Bruk alltid skjærebladet med diametere som beskrives i delen som inneholder spesifikasjoner.

► **Fig.20:** 1. Mutter 2. Kopp 3. Klemmeskive
4. Skjæreblad 5. Spindel 6. Vern
7. Spindelåseknapp

1. Monter skjærebladet på vernet slik at pilene på skjærebladet og vernet peker i samme retning.

► **Fig.21:** 1. Pil

2. Plasser klemskiven og koppen på skjærebladet.

3. Hold spindellåseknappen nede, og stram mutteren godt til med stjernenekkel.

- **Fig.22:** 1. Spindellåseknapp 2. Stjernenekkel
3. Løsne 4. Stramme

Når du skal fjerne bladet, løsner du mutteren mens du holder spindellåseknappen nede.

Nylontrimmerhode

OBS: Pass på å bruke et originalt nylontrimmerhode fra Makita.

Hold spindellåseknappen nede, plasser nylontrimmerhodet på spindelen, og stram det godt for hånd.

- **Fig.23:** 1. Nylontrimmerhode 2. Spindel
3. Spindellåseknapp 4. Løsne 5. Stramme

Når du skal fjerne nylontrimmerhodet, løsner du nylontrimmerhodet mens du holder spindellåseknappen nede.

Plastblad

OBS: Pass på å bruke originale Makita-plastblad.

Hold spindellåseknappen nede, plasser plastbladet på spindelen, og stram det godt for hånd.

- **Fig.24:** 1. Plastblad 2. Spindel 3. Spindellåseknapp
4. Løsne 5. Stramme

Når du skal fjerne plastbladet, løsner du plastbladet mens du holder spindellåseknappen nede.

MERK: Du kan bruke sekskantnøkkelen som følger med til å montere/fjerne skjæreverktøyet. Sett sekskantnøkkelen i hullet som vist i figuren for å låse spindelen.

- **Fig.25:** 1. Sekskantnøkkel 2. Hull

⚠FORSIKTIG: Du må alltid bruke skrunøklene som følger med når du skal montere/fjerne skjæreverktøyet.

⚠FORSIKTIG: Husk å ta ut sekskantnøkkelen som sitter i verktøyhodet etter at skjæreverktøyet er montert.

Justere håndtaket/ opphengsposisjonen

Juster håndtaket og opphengsposisjonen slik at du kan håndtere verktøyet på en behagelig måte.

For DUR190U og DUR191U

Juster håndtaket/opphengsposisjonen slik at verktøyet kommer innenfor området som vist nedenfor.

- **Fig.26**

1	Opphengets posisjon fra bakken
2	Skjæreverktøyets posisjon fra bakken
3	Den horisontale avstanden mellom hengeren og den uvernedede delen av skjæreverktøyet

Løsne de sekskantede pipehodeskruene nederst på håndtakholderen. Flytt håndtaket til en behagelig arbeidsstilling, og stram skruene.

- **Fig.27:** 1. Håndtakholder 2. Sekskantet pipehodeskrue 3. Håndtak

Løsne de sekskantede pipehodeskruene på opphenget. Flytt opphenget til en behagelig arbeidsstilling, og stram skruene.

- **Fig.28:** 1. Sekskantet pipehodeskrue 2. Oppheng

For DUR190L og DUR191L

Løsne de sekskantede pipehodeskruene på håndtaket. Flytt håndtaket til en behagelig arbeidsstilling, og stram skruene.

- **Fig.29:** 1. Sekskantet pipehodeskrue 2. Håndtak

Løsne den sekskantede pipehodeskruen på opphenget. Flytt opphenget til en behagelig arbeidsstilling, og stram skruen.

- **Fig.30:** 1. Sekskantet pipehodeskrue 2. Oppheng

Oppbevare sekskantnøkkel

Når sekskantnøkkelen ikke er i bruk, må du oppbevare den som vist i figuren, slik at du ikke mister den.

- **Fig.31:** 1. Sekskantnøkkel

Kun for DUR190L og DUR191L

- **Fig.32:** 1. Håndtak 2. Sekskantnøkkel

BRUK

Feste skulderselen

⚠FORSIKTIG: Alltid bruk skulderselen som er festet på verktøyet. Før bruk justerer du skulderselen etter brukerens størrelse for å hindre at du blir sliten.

⚠FORSIKTIG: Før bruk må du se til at skulderselen sitter godt festet på opphenget til verktøyet.

Koble kroken på skulderselen til opphenget, og ta på det skulderselen. Sørg for at verktøyet holdes godt fast av skulderselen.

DUR190U og DUR191U

- **Fig.33:** 1. Krok 2. Oppheng

DUR190L og DUR191L

- **Fig.34:** 1. Krok 2. Oppheng

Frakobling

Skulderselen har en hurtigutløser.

DUR190U og DUR191U

- **Fig.35:** 1. Remse

Dra ut remsen for å frigjøre verktøyet fra skulderselen.

DUR190L og DUR191L

- **Fig.36:** 1. Spenne

Trykk på sidene av spennen for å koble verktøyet fra skulderselen.

Riktig bruk av verktøyet

⚠ ADVARSEL: Plasser alltid verktøyet på din høyre side. Korrekt posisjonering av verktøyet gir maksimal kontroll og reduserer risikoen for personskader og tilbakeslag.

⚠ ADVARSEL: Pass ekstremt godt på at du opprettholder kontrollen over maskinen i denne situasjonen. Ikke la verktøyet kastes mot deg eller noen andre i nærheten av arbeidsstedet. Hvis du ikke klarer å holde kontroll på verktøyet, kan det føre til alvorlige personskader på tilskuere og operatøren.

⚠ ADVARSEL: Pass på at det er minst 15 m (50 fot) mellom operatører for å unngå uhell når to eller flere operatører arbeidet innenfor et område. Sørg dessuten for at en person overvåker avstanden mellom operatører. Hvis en person eller et dyr kommer inn i arbeidsområdet, må arbeidet stanses umiddelbart.

⚠ FORSIKTIG: Hvis skjæreverktøyet ved et uhell treffer en stein eller et hardt materiale, må verktøyet slås av og kontrolleres for skade. Hvis skjæreverktøyet blir skadet, må det skiftes ut med en gang. Bruk av et skjæreverktøy som er skadet, kan føre til alvorlig personskade.

⚠ FORSIKTIG: Ta av bladdekslet fra skjærebladet når du skjærer gresset.

Riktig posisjonering av verktøyet gir deg maksimal kontroll og reduserer risikoen for personskade som følge av tilbakeslag.

DUR190U og DUR191U

► Fig.37

DUR190L og DUR191L

► Fig.38

Når du bruker et nylontrimmerhode (av typen dunk og mat)

Nylontrimmerhodet er et gresstrimmerhode med dobbel snor, med støt- og matemekanismer.

Dunk trimmerhodet i bakken mens det roterer for å mate frem nylontråden.

► Fig.39: 1. Mest effektive skjærelengde

OBS: Dunkematingen vil ikke fungere på en korrekt måte dersom ikke nylontrimmerhodet roterer.

MERK: Hvis nylontråden ikke mates frem når trimmerhodet dunkes mot bakken, må du vikle opp/skifte ut nylontråden ved bruk av fremgangsmåten som er beskrevet under "Vedlikehold".

VEDLIKEHOLD

⚠ ADVARSEL: Pass alltid på at maskinen er slått av og batteriet er tatt ut før du utfører kontroll eller vedlikehold på verktøyet. Hvis du ikke slår av verktøyet og fjerner batteriet, kan det hende at verktøyet starter ved et uhell, noe som kan føre til alvorlig personskade.

OBS: Aldri bruk gasolin, bensin, tynner alkohol eller lignende. Det kan føre til misfarging, deformering eller sprekkdannelse.

For å opprettholde produktets SIKKERHET og PÅLITELIGHET, må reparasjoner, vedlikehold og justeringer utføres av autoriserte Makita servicesentre eller fabrikksservicesentre, og det må alltid brukes reservedeler fra Makita.

Skifte nylontråden

⚠ ADVARSEL: Bare bruk nylonnsnøre med en diameter som angitt i denne håndboken. Aldri bruk tyngre snor, metalltråd, tau eller lignende. Hvis du ikke retter deg etter dette, kan verktøyet bli ødelagt og det kan føre til en alvorlig personskade.

⚠ ADVARSEL: Du må alltid ta nylontrimmerhodet av verktøyet når du skifter nylonnsnøret.

⚠ ADVARSEL: Kontroller at dekslet til nylontrimmerhodet er godt festet til huset, som beskrevet i denne bruksanvisningen. Hvis dekslet ikke er festet godt nok, kan nylontrimmerhodet gå fra hverandre og forårsake alvorlig personskade.

Skift ut nylonnsnøret hvis det ikke mates lenger. Metoden for utskifting av nylonnsnøret varierer avhengig av typen nylontrimmerhode.

95-M10L

► Fig.40

Bytte ut plastbladet

Skift ut plastbladet hvis det er utslitt eller ødelagt.

► Fig.41

Når du installerer et plastblad, pass på at pilretningen på bladet stemmer overens med pilretningen på beskytteren.

► Fig.42: 1. Pil på beskytteren 2. Pil på bladet

FEILSØKING

Inspiser utstyret selv før du bestiller reparasjon. Ikke prøv å demontere verktøyet hvis du finner et problem som ikke er forklart i brukerveiledningen. I stedet bør du ta kontakt med et av Makitas autoriserte servicesentre, som alltid bruker reservedeler fra Makita til reparasjoner.

Unormal tilstand	Sannsynlig årsak (feil)	Løsning
Motoren går ikke.	Batteriet er ikke satt inn.	Installer batteriet.
	Batteriproblem (med spenning)	Lad batteriet. Hvis ladingen ikke virker, må batteriet skiftes ut.
	Drivsystemet virker ikke slik det skal.	Kontakt ditt nærmeste autoriserte servicesentre hvis det oppstår behov for reparasjon.
Motoren slutter å gå etter kort tids bruk.	Batteriets ladenivå er lavt.	Lad batteriet. Hvis ladingen ikke virker, må batteriet skiftes ut.
	Overoppheting.	Stopp bruken av verktøyet og la det avkjøles.
Den når ikke maksimalt antall omdreininger per minutt.	Batteriet er ikke riktig satt inn.	Sett inn batteriet som beskrevet i denne håndboken.
	Batterieffekten minsker.	Lad batteriet. Hvis ladingen ikke virker, må batteriet skiftes ut.
	Drivsystemet virker ikke slik det skal.	Kontakt ditt nærmeste autoriserte servicesentre hvis det oppstår behov for reparasjon.
Klippeverktøyet roterer ikke: ⇒ stans maskinen umiddelbart!	Fremmedlegemer, som for eksempel grener, har satt seg fast mellom vernet og skjæreverktøyet.	Fjern fremmedlegemet.
	Drivsystemet virker ikke slik det skal.	Kontakt ditt nærmeste autoriserte servicesentre hvis det oppstår behov for reparasjon.
Unormale vibrasjoner: ⇒ stans maskinen umiddelbart!	Den ene enden av nylontråden har blitt ødelagt.	Trykk nylontrimmerhodet mot bakken mens den roterer for å mate tråden frem.
	Drivsystemet virker ikke slik det skal.	Kontakt ditt nærmeste autoriserte servicesentre hvis det oppstår behov for reparasjon.
Skjæreverktøyet og motoren stopper ikke: ⇒ Fjern batteriet umiddelbart!	Elektrisk eller elektronisk funksjonsfeil.	Fjern batteriet og kontakt ditt nærmeste autoriserte servicesentre for reparasjon.

VALGFRITT TILBEHØR

⚠ ADVARSEL: Du må bare bruke det anbefalte tilbehøret eller tilleggsutstyr som er angitt i denne håndboken. Bruk av noen andre typer tilleggsutstyr eller tilbehør, kan føre til alvorlige personskader.

⚠ FORSIKTIG: Det anbefales at du bruker dette tilbehøret eller verktøyet sammen med den Makita-maskinen som er spesifisert i denne håndboken. Bruk av annet tilbehør eller verktøy kan forårsake personskader. Tilbehør og verktøy må kun brukes til det formålet det er beregnet på.

Ta kontakt med ditt lokale Makita-servicesenter hvis du trenger mer informasjon om dette tilbehøret.

- Skjærebled
- Nylontrimmerhode
- Nylontråd (kuttet tråd)
- Plastblad
- Makita originalbatteri og lader

MERK: Enkelte elementer i listen kan være inkludert som standardtilbehør i verktøypakken. Elementene kan variere fra land til land.

TEKNISET TIEDOT

Malli:	DUR190U	DUR190L	DUR191U	DUR191L
Kahvan tyyppi	Polkupyörän kahva	Silmukkakahva	Polkupyörän kahva	Silmukkakahva
Kuormittamaton kierrosnopeus	3: 6 000 min ⁻¹ 2: 5 100 min ⁻¹ 1: 3 500 min ⁻¹			
Kokonaispituus (ilman leikkaustyökälua)	1 775 mm			
Nailonsiiman halkaisija	2,0–2,4 mm			
Leikkaustyökälun mukainen leikkuualueen halkaisija	3-hampainen terä (osanro 191J34-5)		230 mm	
	4-hampainen terä (osanro 729025-2)		230 mm	
	Nailonsiimapää (osanro 126674-0)		300 mm	
	Muoviterä (osanro 126642-3)		230 mm	
Nimellisjännite	DC 18 V			
Nettopaino	3,1 - 3,4 kg	2,9 - 3,2 kg	3,4 - 3,7 kg	3,2 - 3,5 kg

- Jatkuvasta tutkimus- ja kehitystyöstämme johtuen esitetyt tekniset tiedot saattavat muuttua ilman erillistä ilmoitusta.
- Tekniset tiedot voivat vaihdella maittain.
- Paino voi olla erilainen lisävarusteista sekä akusta johtuen. EPTA-menettelytavan 01/2014 mukaisesti, taulukossa on kuvattu kevyin ja painavin laiteyhdistelmä.

Käytettävä akkupaketti ja laturi

Akkupaketti	BL1815N / BL1820 / BL1820B / BL1830 / BL1830B / BL1840 / BL1840B / BL1850 / BL1850B / BL1860B
Laturi	DC18RC / DC18RD / DC18RE / DC18SD / DC18SE / DC18SF / DC18SH

- Tiettyjä yläpuolella kuvattuja akkuja ja latureita ei ehkä ole saatavana asuinalueestasi johtuen.

VAROITUS: Käytä vain edellä eriteltyjä akkupaketteja ja latureita. Muiden akkupakettien ja laturien käyttäminen voi aiheuttaa loukkaantumisen ja/tai tulipalon.

Suosittelut akkusovitit

Akkuadapteri	PDC01
--------------	-------

- Edellä luetellut akkusovitit eivät ehkä ole saatavana asuinalueellasi.
- Ennen akkusovitimen käyttöä lue kaikki akkusovitimessä olevat ohje- ja varoitusmerkit.

Malli DUR190U

Leikkaustyökalu	Äänenpainetaso (L_{pA}) dB(A)		Äänentehotaso (L_{WA}) dB(A)		Sovellettava standardi
	L_{pA} dB(A)	Epävarmuustekijä (K) dB(A)	L_{WA} dB(A)	Epävarmuustekijä (K) dB(A)	
4-hampainen terä	77,0	3,9	91,6	2,4	ISO22868 (ISO11806-1)
Nylon leikkuupää	74,0	1,9	87,1	0,9	ISO22868 (ISO11806-1)/ EN50636-2-91
Muoviterä	75,6	1,3	85,9	2,1	ISO22868 (ISO11806-1)/ EN50636-2-91

Malli DUR190L

Leikkaustyökalu	Äänenpainetaso (L_{pA}) dB(A)		Äänentehotaso (L_{WA}) dB(A)		Sovellettava standardi
	L_{pA} dB(A)	Epävarmuustekijä (K) dB(A)	L_{WA} dB(A)	Epävarmuustekijä (K) dB(A)	
4-hampainen terä	77,0	3,9	91,6	2,4	ISO22868 (ISO11806-1)
Nailonsiimapäätä	74,0	1,9	87,1	0,9	ISO22868 (ISO11806-1)/ EN50636-2-91
Muoviterä	75,6	1,3	85,9	2,1	ISO22868 (ISO11806-1)/ EN50636-2-91

Malli DUR191U

Leikkaustyökalu	Äänenpainetaso (L_{pA}) dB(A)		Äänentehotaso (L_{WA}) dB(A)		Sovellettava standardi
	L_{pA} dB(A)	Epävarmuustekijä (K) dB(A)	L_{WA} dB(A)	Epävarmuustekijä (K) dB(A)	
4-hampainen terä	77,0	3,9	91,6	2,4	ISO22868 (ISO11806-1)
Nailonsiimapäätä	74,0	1,9	87,1	0,9	ISO22868 (ISO11806-1)/ EN50636-2-91
Muoviterä	75,6	1,3	85,9	2,1	ISO22868 (ISO11806-1)/ EN50636-2-91

Malli DUR191L

Leikkaustyökalu	Äänenpainetaso (L_{pA}) dB(A)		Äänentehotaso (L_{WA}) dB(A)		Sovellettava standardi
	L_{pA} dB(A)	Epävarmuustekijä (K) dB(A)	L_{WA} dB(A)	Epävarmuustekijä (K) dB(A)	
4-hampainen terä	77,0	3,9	91,6	2,4	ISO22868 (ISO11806-1)
Nailonsiimapäätä	74,0	1,9	87,1	0,9	ISO22868 (ISO11806-1)/ EN50636-2-91
Muoviterä	75,6	1,3	85,9	2,1	ISO22868 (ISO11806-1)/ EN50636-2-91

- Vaikka edellä lueteltu äänenpainetaso on 80 dB (A) tai vähemmän, työskentelytilanteessa taso 80 dB (A) saattaa ylittyä. Käytä kuulosuojaimia.

HUOMAA: Ilmoitetut melutasoarvot on mitattu standarditestausmenetelmän mukaisesti ja niiden avulla voidaan vertailla työkaluja keskenään.

HUOMAA: Ilmoitettuja melutasoarvoja voidaan käyttää myös altistumisen alustavaan arviointiin.

VAROITUS: Käytä kuulosuojaimia.

VAROITUS: Sähkötyökalun käytön aikana mitattu melutasoarvo voi poiketa ilmoitetuista arvoista laitteen käyttötavan ja erityisesti käsiteltävän työkappaleen mukaan.

VAROITUS: Selvitä käyttäjän suojaamiseksi tarvittavat varoitimet todellisissa käyttöolosuhteissa tapahtuvan arvioidun altistumisen mukaisesti (ottaen huomioon käyttöjaksot kokonaisuudessaan, myös jaksot, joiden aikana laite on sammutettuna tai käy tyhjäkäynnillä).

Tärinä

Malli DUR190U

Leikkuutyökalu	Vasen käsi		Oikea käsi		Sovellettava standardi
	$a_{h,w}$ (m/s ²)	Epävarmuus K (m/s ²)	$a_{h,w}$ (m/s ²)	Epävarmuus K (m/s ²)	
4-hampainen terä	≤ 2,5	1,5	≤ 2,5	1,5	ISO22867 (ISO11806-1)
Nylon leikkuupää	≤ 2,5	1,5	≤ 2,5	1,5	ISO22867 (ISO11806-1)
Muoviterä	≤ 2,5	1,5	≤ 2,5	1,5	ISO22867 (ISO11806-1)

Malli DUR190L

Leikkuutyökalu	Vasen käsi		Oikea käsi		Sovellettava standardi
	$a_{h,w}$ (m/s ²)	Epävarmuus K (m/s ²)	$a_{h,w}$ (m/s ²)	Epävarmuus K (m/s ²)	
4-hampainen terä	≤ 2,5	1,5	≤ 2,5	1,5	ISO22867 (ISO11806-1)
Nylon leikkuupää	≤ 2,5	1,5	≤ 2,5	1,5	ISO22867 (ISO11806-1)
Muoviterä	≤ 2,5	1,5	≤ 2,5	1,5	ISO22867 (ISO11806-1)

Malli DUR191U

Leikkuutyökalu	Vasen käsi		Oikea käsi		Sovellettava standardi
	$a_{h,w}$ (m/s ²)	Epävarmuus K (m/s ²)	$a_{h,w}$ (m/s ²)	Epävarmuus K (m/s ²)	
4-hampainen terä	≤ 2,5	1,5	≤ 2,5	1,5	ISO22867 (ISO11806-1)
Nylon leikkuupää	≤ 2,5	1,5	≤ 2,5	1,5	ISO22867 (ISO11806-1)
Muoviterä	≤ 2,5	1,5	≤ 2,5	1,5	ISO22867 (ISO11806-1)

Malli DUR191L

Leikkuutyökalu	Vasen käsi		Oikea käsi		Sovellettava standardi
	$a_{h,w}$ (m/s ²)	Epävarmuus K (m/s ²)	$a_{h,w}$ (m/s ²)	Epävarmuus K (m/s ²)	
4-hampainen terä	≤ 2,5	1,5	≤ 2,5	1,5	ISO22867 (ISO11806-1)
Nylon leikkuupää	≤ 2,5	1,5	≤ 2,5	1,5	ISO22867 (ISO11806-1)
Muoviterä	≤ 2,5	1,5	≤ 2,5	1,5	ISO22867 (ISO11806-1)

HUOMAA: Ilmoitetut kokonaistärinäarvot on mitattu standarditestausten mukaisesti ja niiden avulla voidaan vertailla työkaluja keskenään.


HUOMAA: Ilmoitettuja kokonaistärinäarvoja voidaan käyttää myös altistumisen alustavaan arviointiin.


VAROITUS: Sähkötyökalun käytön aikana mitattu todellinen tärinäpäästöarvo voi poiketa ilmoitetuista arvoista laitteen käyttötavan ja erityisesti käsiteltävän työkalupaleen mukaan.


VAROITUS: Selvitä käyttäjän suojaamiseksi tarvittavat varoimet todellisissa käyttöolosuhteissa tapahtuvan arvioidun altistumisen mukaisesti (ottaen huomioon käyttöjako kokonaisuudessaan, myös jaksot, joiden aikana laite on sammutettuna tai käy tyhjäkäynnillä).


Symbolit


Laitteessa on käytetty seuraavia symboleja. Opettele niiden merkitys ennen käyttöä.


 Noudata erityistä varovaisuutta ja kiinnitä huomiota.

 Lue käyttöohje.


 Pidä vähintään 15 m:n etäisyys.


 Vaara; varo sinkoutuvia kappaleita.


 Varoitus; takapotku

 Käytä kypärää, suojalaseja ja kuulonsuojaimia.

 Käytä suojakäsineitä.

 Käytä tukevia saappaita, joissa on luis-tamaton pohja. On suositeltavaa käyttää teräskärkisiä turvasaappaita.

 Älä altista laitetta kosteudelle.

 Ni-MH Li-ion
Koskee vain EU-maita
Älä hävitä sähkölaitteita tai akkuja tavallisen kotitalousjätteen mukana! Sähkö- ja elektroniikkalaiteromua koskevan EU-direktiivin ja paristoja ja akkuja sekä käytettyjä paristoja ja akkuja koskevan direktiivin ja niiden maakohtaisten sovellusten mukaisesti käytetyt sähkö-laitteet ja akkupaketti (-paketti) on toimitettava ongelmajätteen keräyspisteeseen ja ohjattava ympäristöystävälliseen kierrätykseen.

EY-vaatimustenmukaisuusvakuutus

Koskee vain Euroopan maita

EY-vaatimustenmukaisuusvakuutus on liitetty tähän käyttöoppaaseen.

TURVAVAROITUKSET

Sähkötyökalujen käyttöä koskevat yleiset varoitukset

VAROITUS: Tutustu kaikkiin tämän sähkötyökalun mukana toimitettuihin varoituksiin, ohjeisiin, kuviin ja teknisiin tietoihin. Seuraavassa lueteltujen ohjeiden noudattamatta jättäminen saattaa johtaa sähköiskuun, tulipaloon tai vakavaan vammautumiseen.

Säilytä varoitukset ja ohjeet tulevaa käyttöä varten.

Varoituksissa käytettävällä termillä "sähkötyökalu" tarkoitetaan joko verkkovirtaa käyttävää (johdollista) työkalua tai akkukäyttöistä (johdotonta) työkalua.

Työkalua koskevat tärkeät turvallisuusohjeet

VAROITUS: Lue huolellisesti kaikki turvallisuusvaroitukset ja käyttöohjeet. Jos varoitusten ja ohjeiden noudattaminen laiminlyödään, seurauksena voi olla sähköisku, tulipalo ja/tai vakava vamma.

Säilytä kaikki varoitukset ja ohjeet tulevaa käyttöä varten.

Käyttötarkoitus

1. Tämä työkalu on tarkoitettu vain nurmikon, rikkaruohon, pensaiden ja aluskasvillisuuden leikkaamiseen. Sitä ei saa käyttää muihin tarkoituksiin, kuten nurmikon reunojen tasaamiseen tai pensasaidan leikkaamiseen, sillä tällainen käyttö voi aiheuttaa vammoja.

Yleisiä ohjeita

1. Älä koskaan anna sellaisten henkilöiden (lapsen mukaan lukien) käyttää työkalua, joiden fyysiset, sensoriset tai henkiset kyvyt tai kokemuksen tai tiedon puute estävät heitä käyttämästä sitä turvallisesti. Älä myöskään anna näihin ohjeisiin perehtymättömien henkilöiden käyttää työkalua. Lapsia tulee pitää silmällä, jotta he eivät pääse leikkimään työkalulla.
2. Tutustu työkalun käsittelyyn lukemalla nämä käyttöohjeet ennen työkalun käynnistämistä.
3. Älä luovuta työkalua sellaisen henkilön haltuun jolla ei ole raivaussahan tai viimeistelyleikkurin käsittelyyn tarvittavaa kokemusta ja tietoa.
4. Anna työkalun lainaajalle mukaan aina myös nämä käyttöohjeet.
5. Työkalua käsiteltäessä tulee olla äärimmäisen huolellinen ja varovainen.
6. Älä koskaan käytä työkalua käytettyäsi alkoholia tai huumeita tai ollessasi väsynyt tai sairas.
7. Älä koskaan yritä tehdä muutoksia työkaluun.
8. Noudata maassasi voimassa olevia raivaussahan ja viimeistelyleikkurin käsittelyä koskevia määräyksiä.

Henkilösuojaimet

► Kuva1

1. Suojaa itsesi lentäviltä irtoroskilta ja putoavilta esineiltä käyttämällä kypärää, suojalaseja ja suojakäsineitä.
2. Käytä kuulonsuojaimia kuulovaurioiden estämiseksi.

3. Käytä turvallisen työskentelyn mahdollistavia kenkiä ja vaateustusta, esimerkiksi työhaalaria ja kenkiä, joissa on luistamaton pohja. Älä käytä väljiä vaatteita tai koruja. Väljät vaatteet, korut tai pitkät hiukset voivat tarttua liikkuviin osiin.
4. Käytä aina suojakäsineitä, kun käsittelet leikkuuteerää. Leikkuuterät voivat leikata paljaita käsiä pahoin.

Työskentelyalueen turvallisuus

1. Käytä työkalua vain päivänvalossa ja hyvien näkyvyysolojen vallitessa. Älä käytä työkalua pimeässä tai sumussa.
2. Älä käytä työkalua paikoissa, joissa on räjähdysvaara esimerkiksi syttyvien nesteiden, kaasujen tai pölyn takia. Työkalu synnyttää kipinöitä, jotka voivat sytyttää pölyn tai kaasun.
3. Älä koskaan seiso epävakaailla, voimakkaasti viettävällä tai liukkaalla alustalla, kun käytät työkalua. Jos työskentelet kylmissä oloissa, varo lunta ja jäätä ja varmista aina tukeva jalansija.
4. Kun käytät laitetta, älä anna sivullisten henkilöiden tai eläinten olla alle 15 m:n etäisyydellä työkalusta. Sammuta työkalu heti, jos joku tulee tätä lähemmäs.
5. Työkalua ei saa koskaan käyttää, kun lähistöllä on muita henkilöitä, etenkin lapsia tai lemmitkkeläimiä.
6. Tarkista ennen käytön aloittamista, onko työskentelyalueella kiviä tai muita kiinteitä esineitä. Ne voivat aiheuttaa vaarallisen takapotkun, jonka seurauksena voi olla vakavia vammoja ja/tai aineellisia vahinkoja.
7. **VAROITUS:** Tämän laitteen käyttäminen voi tuottaa kemikaalipitoista pölyä, joka voi aiheuttaa hengityselinsairauksia tai muita sairauksia. Tällaisia kemikaaleja ovat esimerkiksi tietyt torjunta-aineissa, lannoitteissa ja rikkaruohomyrkyissä käytetyt yhdisteet. Altistumisvaara vaihtelee sen mukaan, kuinka usein tällaista työtä tehdään. Voit vähentää altistumista näille kemikaaleille työskentelemällä hyvin ilmastoiduissa tiloissa ja käyttämällä hyväksytyjä turvalaitteita, esimerkiksi hengityssuojaimia, jotka on tarkoitettu erityisesti mikrooskooppisten hiukkasten suodattamiseen.

Sähköturvallisuus ja akku

1. Älä jätä työkalua sateeseen tai kosteisiin olosuhteisiin. Työkalun sisään päässyt vesi lisää sähköiskun vaaraa.
2. Älä käytä työkalua, jos se ei käynnisty ja sammu kytkimestä. Työkalu, jota ei voi ohjata kytkimellä, on vaarallinen, ja se täytyy korjata.
3. Estä tahaton käynnistyminen. Varmista, että kytkin ei ole painettu, ennen kuin asetat akkupaketin työkaluun tai nostat tai kannat työkalua. Työkalun kantaminen sormi kytkimellä tai sen kytkeminen virtalähteeseen kytkin painettuna aiheuttaa helposti onnettomuuden.
4. Älä hävitä akkuja polttamalla. Akkukenno voi räjähtää. Tarkista, onko paikallisissa määräyksissä erityisiä laitetta koskevia hävitysohjeita.
5. Älä avaa tai riko akkuja. Akusta mahdollisesti vuotava elektrolyytti on syövyttävää ja saattaa vaurioittaa ihoa tai silmiä. Se saattaa olla myrkyllistä nieltynä.
6. Älä lataa akkua sateessa tai kosteissa olosuhteissa.

Käyttöönotto

1. Irrota akkupaketti ennen työkalun kokoamista tai säätämistä.
2. Pue aina suojakäsineet ennen leikkuuterän käsittelemistä.
3. Tarkista ennen akkupaketin asettamista paikalleen, ettei työkalussa ole vaurioita tai irrallisia ruuveja/muttereita ja että työkalu on koottu oikein. Jos leikkuuterä on tylsä, teroita se. Jos leikkuuterä on vääntynyt tai vaurioitunut, vaihda se. Tarkista, että kaikki säätimet ja kytkimet toimivat kevyesti. Puhdista ja kuivaa kahvat.
4. Älä koskaan yritä käynnistää työkalua, jos se on vaurioitunut tai puutteellisesti koottu. Muuten se voi aiheuttaa vakavia vammoja.
5. Säädä olkahihna ja tartuntakahva käyttäjän koon mukaan.
6. Kun asetat akkupaketin työkaluun, älä anna leikkuupään koskettaa itseäsi, mitään esinettä tai maata. Osa voi liikkua käynnistyksen aikana, mikä voi aiheuttaa vammoja tai vaurioittaa työkalua ja/tai muuta omaisuutta.
7. Irrota säätöavain, väännin tai teränsuojus ennen työkalun käynnistystä. Työkalun pyörivään osaan kiinni jätetty osa voi aiheuttaa henkilövahinkoja.
8. Leikkuutyökalu on varustettava siihen kuuluvalla suojuksella. Älä koskaan käytä työkalua, jos suojus on vaurioitunut tai poistettu!
9. Varmista, etteivät työkalun käytöstä vaurioituneet sähköjohdot, kaasuputket jne. voi aiheuttaa vaaratilanteita.

Käyttö

1. Hätätilanteessa sammuta työkalu välittömästi.
2. Jos käytön aikana ilmenee epätavallisia oireita (esim. outoja ääniä tai värinää), sammuta työkalu ja irrota akkupaketti. Älä käytä työkalua, ennen kuin syy on selvitetty ja korjattu.
3. Terä jatkaa pyörimistä muutaman sekunnin ajan leikkuupään sammuttamisen jälkeen. Älä kosketa leikkuupäätä liian aikaisin.
4. Käytä olkahihnaa, kun käytät laitetta. Kannattele laitetta tukevasti oikealla puolellasi.
5. Älä ylikorkotele. Seiso tukevassa asennoissa ja säilytä tasapainosi. Varo pilossa olevia, kompastumisvaaran aiheuttavia esteitä, kuten kantoja, juuria ja oja.
6. Varmista aina tukeva jalansija rinteessä työskennellessäsi.
7. Kävele, älä koskaan juokse.
8. Älä koskaan työskentele tikkailla, sillä se voi aiheuttaa hallinnan menetyksen.
9. Jos työkaluun kohdistuu voimakas isku tai se putoaa, tarkista sen kunto ennen työn jatkamista. Tarkista, ettei hallintalaitteissa tai turvallisuusvarusteissa ole vikoja. Jos on syytä epäillä työkalun vaurioituneen, pyydä valtuutettua huoltoliikettä tarkistamaan ja tarvittaessa korjaamaan laite.
10. Pidä lepotaukoja, jotta et menetä laitteen hallintaa väsymyksen takia. On suositeltavaa pitää tunnin välein 10–20 minuutin tauko.

- Jos jätät työkalun vartioimatta vaikka vain lyhyeksi ajaksi, irrota aina akkupaketti.** Jos työkalu jätetään vartioimatta akkupaketti paikallaan, asiattomat henkilöt voivat käyttää sitä ja aiheuttaa vakavan onnettomuuden.
- Jos leikkuupäähän ja suojukseen tarttuu ruohoa tai oksia, sammuta aina työkalu ja irrota akkupaketti ennen niiden puhdistamista.**
Muuten leikkuupää voi pyöriä ja aiheuttaa vakavia vammoja.
- Älä koskaan kosketa liikkuvia vaarallisia osia ennen kuin ne ovat pysähtyneet kokonaan ja akkupaketti on irrotettu.**
- Jos leikkuupää osuu kiviin tai muihin koviin esineisiin, sammuta työkalu heti.** Irrota sitten akkupaketti ja tarkasta leikkuupään kunto.
- Tarkista käytön aikana säännöllisesti, ettei leikkuupäässä ole halkeamia tai vaurioita.** Irrota akkupaketti ja anna leikkuupään pysähtyä ennen tarkistusta. Vaihda vaurioitunut leikkuupää heti, vaikka halkeamat olisivat vain pinnallisia.
- Älä koskaan leikkaa korkeammalta kuin vyötärön korkeudelta.**
- Kun käynnistät työkalun, anna leikkuupään nopeuden vakiintua ennen leikkaamisen aloittamista.**
- Kun käytät leikkuuterää, liikuta työkalua tasaisesti puoliympyrän muotoisella liikkeellä oikealta vasemmalle kuin käyttäisit viikatetta.**
- Kannattelu työkalua vain sen eristetyistä tartuntapinnoista, sillä leikkuuterä voi osua piilossa oleviin johtoihin.** Jos leikkuuterät joutuvat kosketukseen jännitteisen johdon kanssa, jännite voi siirtyä työkalun sähköä johtaviin metalliosiin ja aiheuttaa käyttäjälle sähköiskun.
- Älä käynnistä työkalua, jos leikkuutyökaluun on juuttunut leikattua nurmea.**
- Ennen kuin käynnistät työkalun, varmista, ettei leikkuutyökalu kosketa maata tai muita esteitä, kuten puita.**
- Pidä työkalusta aina molemmin käsin kiinni käytön aikana.** Älä koskaan kannattele työkalua yhdellä kädellä käytön aikana.
- Älä käytä työkalua huonoissa sääolosuhteissa tai jos on olemassa salamankin vaara.**

Leikkuutyökalut

- Älä käytä muita kuin valmistajan suosittelemia leikkuutyökaluja.**
- Käytä vain käsillä olevaan työhön sopivaa leikkuupäätä.**
 - Nailonsiimapäät (viimeistelyleikkuri-päät) ja muoviterät sopivat nurmikon viimeistelyleikkukseen.
 - Leikkuuterät sopivat rikkaruohojen, pitkän heinikon, pensaiden, oksien, vesakon, risujen ja vastaavan leikkaamisen.
 - Älä koskaan käytä muita teriä, kuten moniosaisia nivellettyjä metalliteriä tai varstateriä. Ne voivat aiheuttaa vakavia vammoja.
- Käytä vain leikkuutyökaluja, joiden merkitty nopeus on vähintään yhtä suuri tai suurempi kuin laitteeseen merkitty nopeus.**
- Pidä kädet, kasvat ja vaatteet aina pois pyörivän leikkuutyökalun tieltä.** Muuten seurauksena voi olla henkilövammoja.

- Käytä aina leikkuupäähän sopivaa teränsuojusta.**
- Kun käytät leikkuuteriä, varo takapotkua ja ole aina valmiina takapotkun varalta.** Katso lisätietoja kohdasta Takapotku.
- Kun terää ei käytetä, aseta se aina teränsuojukseen.** Poista suojus ennen käytön aloittamista.

Takapotku (terän äkillinen ponnahdus)

- Takapotku (terän äkillinen ponnahdus) on äkillinen vastakkaisliike, jonka aiheuttaa leikkuuterän jumiutuminen kiinni.** Takapotkun tapahtuessa työkalu sinkoutuu sivulle tai kohti käyttäjää suurella voimalla, mikä voi aiheuttaa vakavia vammoja.
- Takapotkua tapahtuu erityisesti yritettäessä leikata 3 cm:n paksuisia tai paksumpia puiden tai pensaiden oksia terän osalla, joka on kello 12:n ja 2:n välissä.**

► Kuva2

- Ohjeet takapotkun välttämiseksi:**
 - Leikkaa aina terän osalla, joka on kello 8:n ja 11:n välissä.**
 - Älä koskaan käytä terän osaa, joka on kello 12:n ja 2:n välissä.**
 - Käytä leikkaamiseen terän osaa, joka on kello 11:n ja 12:n tai kello 2:n ja 5:n välillä, vain, jos olet kokenut laitteen käyttäjä ja olet valmis tekemään niin omalla vastuullasi.**
 - Älä koskaan käytä leikkuuteriä kiinteiden kohteiden, kuten aitojen, puunrunkojen tai kivien lähellä.**
 - Älä koskaan käytä leikkuuteriä pystysuunnassa leikkaamiseen, kuten pensasaitojen tasoittamiseen.**

► Kuva3

Tärinä

- Voimakas tärinä voi aiheuttaa heikosta verenkierrosta kärsiville henkilöille verisuoni- tai hermostovammoja.** Tärinä voi aiheuttaa seuraavia oireita sormissa, käsissä tai ranteissa: tunnotomuutta, pisteleväää kipua, pistoksia, ihonvärin tai ihon muutoksia. Jos tällaisia oireita ilmenee, hakeudu lääkärin hoitoon!
- Voit pienentää valkosormisuussyndrooman riskiä pitämällä kätesi lämpiminä käytön aikana ja huolehtimalla siitä, että työkalu ja sen lisävarusteet ovat kunnossa.**

Kuljetus

- Sammuta työkalu ja irrota akkupaketti ennen työkalun kuljettamista.** Aseta leikkuuterän suojus paikalleen.
- Kuljeta työkalua vaakasuurassa asennossa varresta kiinni pitäen.**
- Jos kuljetat työkalua ajoneuvossa, kiinnitä se tukevasti paikalleen, ettei se pääse kaatumaan.** Muuten seurauksena voi olla työkalun tai muun kuorman vaurioituminen.

Huolto

1. Huollata työkalu vain valtuutetussa huoltoliik-keessämme ja käytä vain alkuperäisiä varaosia. Virheelliset korjaukset ja huono kunnossapito voivat lyhentää työkalun käyttöikää ja lisätä tapaturmien vaaraa.
2. **Sammuta työkalu ja irrota akkupaketti aina ennen työkalun huoltamista tai puhdistamista.**
3. Käytä aina suojakäsineitä, kun käsittelet leikkuuterää.
4. **Puhdista työkalu aina pölystä ja liasta. Älä koskaan käytä bensiiniä, ohenteita, alkoholia tai tms. aineita.** Muutoin muoviosat voivat halkeilla tai värit ja muoto voivat muuttua.
5. **Kiristä kaikki ruuvit ja mutterit jokaisen käyttökerran jälkeen.**
6. **Älä tee mitään huolto- ja korjaustöitä, joista ei ole ohjeistettu näissä käyttöohjeissa.** Pyydä valtuutettua huoltoliikettä tekemään tällaiset työt.
7. Käytä aina pelkästään aitoja varaosia ja lisävarusteita. Muiden valmistajien varaosien tai lisävarusteiden käyttäminen voi aiheuttaa työkalun hajoamisen, aineellisia vahinkoja ja/tai vakavia vammoja.
8. **Pyydä valtuutettua huoltoliikettä tarkistamaan ja huoltamaan työkalu säännöllisin välein.**
9. **Pidä työkalu aina hyvässä käyttökunnossa.** Puutteellinen huolto voi heikentää työkalun suorituskykyä ja lyhentää sen käyttöikää.

Varastoiminen

1. **Ennen kuin asetat työkalun säilytykseen, suorita perusteellinen puhdistus ja huolto. Poista akkupaketti. Aseta leikkuuterän suojus paikalleen.**
2. **Säilytä työkalua hyvin tuulettussa paikassa, joka on riittävän korkealla tai lukittu, jotta lapset eivät pääse siihen käsiksi.**
3. **Älä tue työkalua esimerkiksi seinää vasten.** Muutoin se voi kaatua ja aiheuttaa vammoja.

Ensiapu

1. **Pidä ensiapulaukku aina saatavilla. Täydennä ensiapulaukku sisältöä aina käytön mukaan.**
2. **Kun hälytät apua, ilmoita seuraavat tiedot:**
 - onnettomuuden tapahtumapaikka
 - mitä on tapahtunut
 - loukkaantuneiden henkilöiden määrä
 - vammojen laatu
 - oma nimesi

Akkupakettia koskevia tärkeitä turvaohjeita

1. Ennen akun käyttöönottoa tutustu kaikkiin laturissa (1), akussa (2) ja akkukäyttöisessä tuotteessa (3) oleviin varoitusteksteihin.
2. **Älä pura akku.**
3. **Jos akun toiminta-aika lyhenee merkittävästi, lopeta akun käyttö.** Seurauksena voi olla ylikuumeneminen, palovammoja tai jopa räjähdys.
4. **Jos akkunesettä pääsee silmiin, huuhtele puhtaalla vedellä ja hakeudu välittömästi lääkäriin hoitoon.** Akkunesite voi aiheuttaa näön menetyksen.

5. Älä oikosulje akku.

- (1) **Älä koske akun napoihin millään sähköä johtavalla materiaalilla.**
 - (2) **Vältä akun oikosulkemista äläkä säilytä akku yhdessä muiden metalliesineiden, kuten naulojen, kolikoiden ja niin edelleen kanssa.**
 - (3) **Älä aseta akku alttiiksi vedelle tai sateelle.**
- Oikosulku voi aiheuttaa virtapiikin, ylikuumentumista, palovammoja tai laitteen rikkoutumisen.
6. **Älä säilytä työkalua ja akku paikassa, jossa lämpötila voi nousta 50 °C:een tai sitäkin korkeammaksi.**
 7. **Älä hävitä akku polttamalla, vaikka se olisi pahoin vaurioitunut tai täysin loppuun kulunut.** Avotuli voi aiheuttaa akun räjähtämisen.
 8. **Varo kolhimasta tai pudottamasta akku.**
 9. **Älä käytä viallista akku.**
 10. **Sisältyviä litium-ioni-akkuja koskevat vaarallisten aineiden lainsäädännön vaatimukset.**

Esimerkiksi kolmansien osapuolten huoltoliikkeiden tulee kaupallisissa kuljetuksissa noudattaa pakkaamista ja merkintöjä koskevia erityisvaatimuksia. Lähetettävän tuotteen valmistelu edellyttää vaarallisten aineiden asiantuntijan neuvontaa. Huomioi myös mahdollisesti yksityiskohtaisemmat kansalliset määräykset

- Akun avoimet liittimet tulee suojata teipillä tai suojuksella ja pakkaaminen tulee tehdä niin, ettei akku voi liikkua pakkauksessa.
11. **Kun akkupaketti on hävitettävä, poista se laitteesta ja hävitä se turvallisesti. Hävitä akku paikallisten määräysten mukaisesti.**
 12. **Käytä akkuja vain Makitan ilmoittamien tuotteiden kanssa.** Akkujen asentaminen yhteensopimattomiin tuotteisiin voi aiheuttaa tulipalon, liiallisen ylikuumenemisen, räjähdyksen tai akkunesitevuotoja.
 13. **Jos laitetta ei käytetä pitkään aikaan, akku on poistettava laitteesta.**

SÄILYÄ NÄMÄ OHJEET.

⚠HUOMIO: Käytä vain alkuperäisiä Makita-akkuja. Muiden kuin aitojen Makita-akkujen, tai mahdollisesti muutettujen akkujen käyttö voi johtaa akun murtumiseen ja aiheuttaa tulipaloja, henkilö- ja omaisuusvahinkoja. Se mitätöi myös Makita-työkalun ja -laturin Makita-takuun.

Vihjeitä akun käyttöiän pidentämiseksi

1. **Lataa akku ennen kuin se purkautuu täysin.** Lopeta aina työkalun käyttö ja lataa akku, jos huomaat työkalun tehon vähenevän.
2. **Älä koskaan lataa uudestaan täysin ladattua akku.** Ylilataaminen lyhentää akun käyttöikää.
3. **Lataa akku huoneen lämpötilassa välillä 10 °C - 40 °C.** Anna kuuman akun jäähtyä ennen lataamista.
4. **Lataa akkupaketti, jos et käytä sitä pitkään aikaan (yli kuusi kuukautta).**

OSIEN KUVAUS

► Kuva4

1	Nopeusilmaisin	2	ADT-ilmainen (ADT = Automatic Torque Drive Technology)	3	Varoitusvalo	4	Päävirtapainike
5	Peruutuspainike	6	Akkupaketti	7	Lukituksen vapautusvipu	8	Liipaisinkytkin
9	Kannatin	10	Kahva	11	Suojapuomi (maakohtainen)	12	Suojus
13	Lukitusvipu (vainDUR191U ja DUR191L)	14	Liitoksen suojus (vainDUR191U ja DUR191L)	15	Kansi (vainDUR191U ja DUR191L)	16	Olkahihna

TOIMINTOJEN KUVAUS

▲VAROITUS: Varmista aina ennen työkalun säätöjä ja tarkastuksia, että työkalu on sammutettu ja akkupaketti irrotettu. Jos virtaa ei katkaista eikä akkua irroteta, työkalu voi käynnistyä vahingossa ja aiheuttaa vakavan tapaturman.

Akun asentaminen tai irrottaminen

▲HUOMIO: Sammuta työkalu aina ennen akun kiinnittämistä tai irrottamista.

▲HUOMIO: Pidä työkalusta ja akusta tiukasti kiinni, kun irrotat tai kiinnität akkua. Jos akkupaketti tai työkalu putoaa, ne voivat vaurioitua tai aiheuttaa tapaturman.

► **Kuva5:** 1. Punainen merkkivalo 2. Painike 3. Akkupaketti

Irrota akku painamalla akun etupuolella olevaa painiketta ja vetämällä akku ulos työkalusta.

Akku liitetään sovittamalla akun kieleke rungon uraan ja työntämällä se sitten paikoilleen. Työnnä akku pohjaan asti niin, että kuulet sen napsahdavan paikoilleen. Jos painikkeen yläpuolella näkyy punainen ilmaisin, akku ei ole lukkiutunut täysin paikoilleen.

▲HUOMIO: Työnnä akku aina pohjaan asti, niin että punainen ilmaisin ei enää näy. Jos akku ei ole kunnolla paikallaan, se voi pudota työkalusta ja aiheuttaa vammoja joko sinulle tai sivullisille.

▲HUOMIO: Älä käytä voimaa akun asennuksessa. Jos akku ei liu'u paikalleen helposti, se on väärässä asennossa.

Työkalun/akun suojausjärjestelmä

Työkalu on varustettu työkalun/akun suojausjärjestelmällä. Tämä järjestelmä pidentää työkalun ja akun käyttöikää katkaisemalla automaattisesti moottorin virran. Työkalu pysähtyy automaattisesti kesken käytön, jos työkalussa ilmenee jokin seuraavista tilanteista:

Varoitusvalo			Tila
Väri	● Päällä	● Vilkkuu	
Punainen	<input type="radio"/>	<input checked="" type="radio"/>	Ylikuormitus
Punainen	<input checked="" type="radio"/>	<input type="radio"/>	Ylikuumeneminen
Punainen	<input type="radio"/>	<input checked="" type="radio"/>	Ylityhjentyminen

Ylikuormitussuoja

Jos työkalussa ilmenee jokin seuraavista tilanteista, työkalu pysähtyy automaattisesti ja varoitusvalo alkaa vilkkua punaisena:

- Työkalu on ylikuormittunut siihen takertuneiden rikkaruohojen tai muiden roskien takia.
- Leikkaustyökalu on lukittunut tai antanut takapotkun.
- Päävirtapainike on painettuna, kun liipaisinkytkintä painetaan.

Vapautaa tapauksessa liipaisinkytkin ja poista mahdolliset takertuneet rikkaruohot tai roskat. Jatka sitten käyttöä painamalla liipaisinkytkintä.

▲HUOMIO: Jos et poista takertuneita rikkaruohoja työkalusta tai vapauta lukittunutta leikkaustyökalua, sammuta työkalu ensin ennen sen käynnistämistä.

Työkalun tai akun ylikuumenemissuoja

Jos työkalu tai akkupaketti ylikuumentuu, työkalu pysähtyy automaattisesti. Kun työkalu tai akkupaketti ylikuumentuu, nopeusilmaisin ja ADT-merkkivalo sammuvat ja varoitusvalo syttyy ja palaa punaisena. Anna työkalun ja/tai akun jäähtyä, ennen kuin kytket työkalun uudelleen päälle.

Ylipurkautumissuoja

Jos akkukapasiteetti käy vähiin, työkalu pysähtyy automaattisesti. Nopeusilmaisin ja ADT-merkkivalo sammuvat ja merkkivalo alkaa vilkkua punaisena. Jos työkalu ei toimi, vaikka kytkimiä käytetään, irrota tyhjentyneet akkupaketti laitteesta ja lataa akku.

Akun jäljellä olevan varaustason ilmaisin

Vain akkupaketeille ilmaisimella

► **Kuva6:** 1. Merkkivalot 2. Tarkistuspainike

Painamalla tarkistuspainiketta saat näkyviin akun jäljellä olevan varauksen. Merkkivalot palavat muutamana sekunnin ajan.

Merkkivalot			Akussa jäljellä olevan varaus
Palaa	Pois päältä	Vilkkuu	
			75% - 100%
			50% - 75%
			25% - 50%
			0% - 25%
			Lataa akku.
			Akussa on saattanut olla toimintahäiriö.

HUOMAA: Ilmoitettu varaustaso voi erota hieman todellisesta varaustasosta sen mukaan, millaisissa oloissa ja missä lämpötilassa laitetta käytetään.

Päävirtakytkin

Kytke työkaluun virta napauttamalla päävirtapainiketta. Katkaise työkalun virta pitämällä päävirtapainiketta painettuna, kunnes nopeusilmaisim sammuu.

► **Kuva7:** 1. Nopeusilmaisim 2. Päävirtapainike

HUOMAA: Työkalu sammuu automaattisesti, jos se jätetään käyttämättä määrätyksi ajaksi.

Kytkimen käyttäminen

VAROITUS: Varmista aina ennen akkupaketin asentamista työkaluun, että liipaisinkytkin toimii moitteettomasti ja palautuu vapautettaessa OFF-asentoon. Jos työkalua käytetään, vaikka kytkin ei toimi moitteettomasti, seurauksena voi olla vakava henkilövahinko.

HUOMIO: Älä koskaan pidä sormea kytkimellä kantaessasi työkalua. Työkalu voi käynnistyä odottamattomasti ja aiheuttaa tapaturman.

Laitteessa on lukitusvipu, joka estää liipaisinkytkimen painamisen vahingossa.

Käynnistä työkalu tarttumalla kahvaan (ote irrottaa lukitusvivun) ja painamalla sitten liipaisinkytkintä. Pysäytä työkalu vapauttamalla liipaisinkytkin.

DUR190U ja DUR191U

► **Kuva8:** 1. Lukituksen vapautusvipu 2. Liipaisinkytkin

DUR190L ja DUR191L

► **Kuva9:** 1. Lukituksen vapautusvipu 2. Liipaisinkytkin

HUOMAA: Työkalun virta katkeaa automaattisesti, kun työkalu jätetään käyttämättä tietyksi aikaa.

Nopeuden säätö

Voit valita työkalun nopeuden napauttamalla päävirtapainiketta. Nopeustaso muuttuu joka kerta, kun napautat päävirtapainiketta.

► **Kuva10:** 1. Nopeusilmaisim 2. Päävirtapainike 3. ADT-ilmaisim

Nopeusilmaisim	Tila	Pyörimisnopeus
	ADT	3 500 - 6 000 min ⁻¹
3	Korkea	6 000 min ⁻¹
2		
1		
3	Keskitaso	5 100 min ⁻¹
2		
1		
3	Pieni	3 500 min ⁻¹
2		
1		

HUOMAA: Kun automaattinen väännönsäätelyteknologia ADT (Automatic Torque Drive Technology) otetaan käyttöön, ADT-merkkivalo syttyy ja työkalu käy automaattisesti leikkattavan nurmikon mukaan optimoidulla pyörimisnopeudella ja väännöllä.

Suunnanvaihtopainike roskien irrottamiseen

VAROITUS: Katkaise työkalun virta ja irrota akku ennen sellaisten takertuneiden rikkaruohojen ja roskien irrottamista, jotka eivät irtoa pyörimissuuntaa vaihtamalla. Jos virtaa ei katkaista eikä akkua irroteta, työkalu voi käynnistyä vahingossa ja aiheuttaa vakavan tapaturman.

Tässä työkalussa on suunnanvaihtopainike. Se on tarkoitettu vain työkaluun takertuneiden rikkaruohojen ja roskien irrottamiseen. Voit vaihtaa kiertosuunnan napauttamalla suunnanvaihtopainiketta ja painamalla liipaisinkytkintä, kun leikkaustyökalu on pysähtyneenä ja painat samanaikaisesti lukitusvipua. Kun painat liipaisinkytkintä, nopeusilmaisimet ja ADT-ilmaisim alkavat vilkkua ja leikkaustyökalu alkaa pyöriä vastakkaiseen suuntaan. Kun haluat palauttaa pyörimissuunnan normaalkiksi, vapauta liipaisin ja odota, että leikkaustyökalu pysähtyy.

► **Kuva11:** 1. Nopeusilmaisim 2. ADT-ilmaisim 3. Suunnanvaihtopainike

HUOMAA: Työkalu pyörii vastakkaiseen suuntaan vain lyhyen ajan kerrallaan, minkä jälkeen se pysähtyy automaattisesti.

HUOMAA: Kun työkalu on pysähtynyt, pyörimissuunta palautuu normaalkiksi, kun käynnistät työkalun uudelleen.

HUOMAA: Jos napautat suunnanvaihtopainiketta leikkaustyökalun pyöriessä, työkalu pysähtyy ja on valmis pyörimissuunnan vaihtamiseen.

Sähköjarru

Tämä työkalu on varustettu sähköjarrulla. Jos työkalu ei toistuvasti pysähdy nopeasti liipaisinkytkimen vapautuksen jälkeen, vie työkalu huollettavaksi Makitan huoltopalveluun.

⚠️HUOMIO: Jarrujärjestelmä ei korvaa suojusta. Älä koskaan käytä työkalua ilman suojusta. Vaurioituneen leikkuutyökalun käyttäminen voi aiheuttaa vakavia vammoja.

KOKOONPANO

⚠️VAROITUS: Varmista aina ennen työkalulle tehtäviä toimia, että laite on sammutettu ja akku on irrotettu. Jos virtaa ei katkaista eikä akkua irroteta, työkalu voi käynnistyä vahingossa ja aiheuttaa vakavan tapaturman.

⚠️VAROITUS: Älä koskaan käynnistä työkalua, jos sen kaikki osat eivät ole paikallaan. Jos kaikkia osia ei ole koottu, työkalu voi käynnistyä tahattomasti ja aiheuttaa vakavia vammoja.

Kahvan asentaminen

Vain **DUR190U** ja **DUR191U**

1. Työnnä kahvan varsi kahvaan. Kohdistä kahvassa oleva ruuvireikä varressa olevaan ruuvireikään. Kiristä ruuvi tiukasti.

► **Kuva12:** 1. Kädensija 2. Ruuvi 3. Kahva

2. Aseta kahva kahvan kiinnitysholkin ja kahvan pitimen väliin. Säädä kahva kulmaan, joka mahdollistaa miellyttävän työskentelyasennon, ja kiristä sitten tiukaan kuusiokantapultilla.

► **Kuva13:** 1. Kuusiokantapultti 2. Kahvan kiinnike 3. Kahvan pidike

Suojapuomin kiinnittäminen

Vain **DUR190L** ja **DUR191L**

Jos käyttämäsi mallin mukana on toimitettu suojapuomi, kiinnitä se kahvaan käyttämällä suojapuomissa olevaa ruuvia.

► **Kuva14:** 1. Suojapuomi 2. Ruuvi

⚠️HUOMIO: Älä irrota suojapuomia sen kiinnittämisen jälkeen. Suojapuomi on turvalaite, joka estää leikkuuterän koskettamisen vahingossa.

Työkalun putken asentaminen

Vain **DUR191U** ja **DUR191L**

Työkalun putken kiinnittäminen voimanlähteeseen.

1. Kierrä vipua nuolen suuntaan.

► **Kuva15:** 1. Vipu

2. Vedä liitoksen suojus ylös ja aseta työkalun putki kohdistamalla samalla putken ulkoneman (leikkuutyökalun puoli) liitososan koveran osan kanssa.

► **Kuva16:** 1. Lukitusvipu 2. Liitoksen suojus 3. Putki

Varmista, että lukitusvivun pinta on putken suuntaainen.

3. Kierrä vipua nuolen suuntaan.

► **Kuva17:** 1. Vipu

Poita putki kiertämällä vipua kuvan nuolen osoittamaan suuntaan ja vedä putki ulos painamalla samalla lukitusvipua.

► **Kuva18:** 1. Vipu 2. Lukitusvipu 3. Putki

Suojuksen asentaminen

⚠️VAROITUS: Älä koskaan käytä työkalua ilman kuvassa näkyvää suojusta. Muuten seurauksena voi olla vakavia vammoja.

⚠️HUOMIO: Varo, ettet loukkaa itseäsi nailonsiiman katkaisemiseen tarkoitettuun leikkuriin.

Kiinnitä suojus kiinnikkeeseen pulteilla.

► **Kuva19:** 1. Kiinnike 2. Suojus 3. Leikkuri

Leikkuutyökalun asennus

HUOMAA: Vakiovarusteena toimitettu leikkuutyökalu vaihtelee maan mukaan. Joissakin maissa leikkuutyökalua ei toimiteta tuotteen mukana.

HUOMAA: Käännä työkalu ylösalaisin, minkä jälkeen voit helposti vaihtaa leikkuutyökalun.

Leikkuuterä

⚠️HUOMIO: Käytä leikkuuterän käsittelyssä suojakäsineitä ja laita teräsuojuksen terän päälle.

⚠️HUOMIO: Leikkuuterän on oltava hyvin teroitettu, eikä siinä saa olla murtumia tai muita vaurioita. Jos leikkuuterä osuu käytön aikana kiveen, sammuta työkalu ja tarkista terä heti.

⚠️HUOMIO: Käytä aina teknisten tietojen osiossa määrätyn halkaisijan leikkuuterää.

► **Kuva20:** 1. Mutteri 2. Kuppi 3. Kiinnitysaluslevy 4. Leikkuuterä 5. Kara 6. Suojus 7. Karalukkopainike

1. Aseta leikkuuterä suojukseen niin, että leikkuuterän ja suojan nuolet osoittavat samaan suuntaan.

► **Kuva21:** 1. Nuoli

2. Aseta kiinnitysaluslevy ja kuppi leikkuuterään.

3. Pidä karalukkopainiketta painettuna ja kiristä samalla mutteri tiukasti hylsyvaimella.

► **Kuva22:** 1. Karalukkopainike 2. Hylsyvaimin 3. Löysää 4. Kiristä

Irrota leikkuuterä löysäämällä mutteria samalla, kun pidät karalukkopainiketta painettuna.

Nailonsiimapää

HUOMAUTUS: Käytä vain aitoja Makita-nailonsiimapäitä.

Pidä karalukkopainiketta painettuna ja aseta samalla nailonsiimapää karaan ja kiristä se sitten tiukasti käsin.

► **Kuva23:** 1. Nylon leikkuupää 2. Kara 3. Karalukkopainike 4. Löysää 5. Kiristä

Irrota nailonsiimapää löysäämällä nailonsiimapäätä samalla, kun pidät karalukkopainiketta painettuna.

Muoviterä

HUOMAUTUS: Käytä vain aitoja Makita-muoviteriä.

Pidä karalukkopainiketta painettuna ja aseta samalla muoviterä karaan ja kiristä se sitten tiukasti käsin.

► **Kuva24:** 1. Muoviterä 2. Kara 3. Karalukkopainike 4. Löysää 5. Kiristä

Irrota muoviterä löysäämällä muoviterää samalla, kun pidät karalukkopainiketta painettuna.

HUOMAA: Voit käyttää leikkaustyökalun asentamiseen/irrottamiseen mukana toimitettua kuusioavainta. Työnnä kuusioavain kuvan mukaisesti reikään niin, että kara lukittuu.

► **Kuva25:** 1. Kuusioavain 2. Reikä

▲HUOMIO: Käytä leikkaustyökalun asentamiseen/irrottamiseen aina ainoastaan mukana toimitettuja avaimia.

▲HUOMIO: Muista irrottaa työkalun päähän asetettu kuusioavain leikkaustyökalun asennuksen jälkeen.

Kahvan/ripustimen asennon säätö

Säädä kahvan ja ripustimen asentoa mukavan työskentelyasennon saamiseksi.

Vain DUR190U ja DUR191U

Säädä kahvan/ripustimen asento sellaiseksi, että työkalu asetettu alla kuvatun mukaisesti.

► **Kuva26**

1	Ripustimen korkeus maanpinnasta
2	Leikkuutyökalun korkeus maanpinnasta
3	Ripustimen ja leikkuutyökalun suojaotannon osan välinen etäisyys vaakasuunnassa

Löysää kuusioakantapultteja kahvan pidikkeen alaosassa. Siirrä kahva miellyttävään työasentoon ja kiristä pultit.

► **Kuva27:** 1. Kahvan pidike 2. Kuusioakantapultti 3. Kahva

Löysää kuusioakantapultteja ripustimessa. Siirrä ripustin miellyttävään työasentoon ja kiristä pultit.

► **Kuva28:** 1. Kuusioakantapultti 2. Kannatin

Vain DUR190L ja DUR191L

Löysää kuusioakantapultteja kahvassa. Siirrä kahva miellyttävään työasentoon ja kiristä pultit.

► **Kuva29:** 1. Kuusioakantapultti 2. Kahva

Löysää kuusioakantapulttia ripustimessa. Siirrä ripustin miellyttävään työasentoon ja kiristä pultit.

► **Kuva30:** 1. Kuusioakantapultti 2. Kannatin

Kuusioavaimen varastointi

Säilytä kuusioavainta kuvan osoittamassa paikassa, ettei se pääse katoamaan.

► **Kuva31:** 1. Kuusioavain

Vain DUR190L ja DUR191L

► **Kuva32:** 1. Kahva 2. Kuusioavain

TYÖSKENTELY

Olkahihnan kiinnittäminen

▲HUOMIO: Käytä työkalua aina olkahihnan varassa. Säädä ennen käyttöä olkahihna itsellesi sopivaan pituuteen, jotta et väsy työkalua käyttäessäsi.

▲HUOMIO: Varmista ennen käyttöä, että olkahihna on kiinnitetty oikein työkalun ripustimeen.

Liitä olkahihnan koukku ripustimeen ja pue olkahihna päällesi. Varmista, että olkahihna pitää työkalun tukevasti.

DUR190U ja DUR191U

► **Kuva33:** 1. Koukku 2. Kannatin

DUR190L ja DUR191L

► **Kuva34:** 1. Koukku 2. Kannatin

Irrotus

Olkahihna sisältää pikairrotustoiminnon.

DUR190U ja DUR191U

► **Kuva35:** 1. Liuska

Vedä nauha ulos työkalun irrottamiseksi olkanauhasta.

DUR190L ja DUR191L

► **Kuva36:** 1. Solki

Voit irrottaa työkalun olkanauhasta painamalla soljen reunoja.

Työkalun oikea käsittely

▲VAROITUS: Aseta työkalu aina oikealle puolellesi. Työkalun oikea sijainti takaa sen mahdollisimman hyvän hallittavuuden ja vähentää takapotkun aiheuttamaa loukkaantumisvaaraa.

▲VAROITUS: Huolehdi aina, että työkalu pysyy hallinnassasi. Älä anna työkalun ohjautua itseäsi tai muita lähettyvillä olevia ihmisiä kohti. Työkalun hallinnan menettäminen voi aiheuttaa vakavia vammoja sivullisille tai työkalun käyttäjille.

▲VAROITUS: Onnettomuuksien välttämiseksi, pidä vähintään 15m (50 ft) etäisyys muihin käyttäjiin, jos kaksi tai useampi käyttäjä työskentelee alueella. Määrä myös henkilö valvomaan käyttäjien välistä etäisyyttä. Jos henkilö tai eläin kulkee alueelle, lopeta käyttö välittömästi.

▲HUOMIO: Jos leikkuutyökalu osuu vahingossa käytön aikana kiveen tai kovaan esineeseen, sammuta työkalu tarkista, ettei se ole vaurioitunut. Jos leikkuutyökalu on vaurioitunut, vaihda se heti. Vaurioituneen leikkuutyökalun käyttäminen voi aiheuttaa vakavia vammoja.

▲HUOMIO: Irrota teränsuojus leikkuuterästä nurmikkoa leikattaessa.

Oikeat työskentelyasennot ja käyttötavat tukevat työkalun optimaalista hallintaa ja pienentävät takapotkun riskiä.

DUR190U ja DUR191U

► Kuva37

DUR190L ja DUR191L

► Kuva38

Nailonsiimapään (napautussyöttötyyppisen) käyttö

Nailonsiimapää on kaksisiimainen viimeistelyleikkuupää, joka syöttää siimaa, kun leikkuupää tä napautetaan maahan.

Jos haluat syöttää lisää siimaa ulos, napauta leikkuupää tä maata vasten työkalun pyöriessä.

► **Kuva39:** 1. Tehokkain leikkuualue

HUOMAUTUS: Siiman syöttäminen napauttamalla ei toimi, jos leikkuupää ei pyöri.

HUOMAA: Jos leikkuupään napauttaminen maata vasten ei tuota lisää nailonsiimaa, kelaa siima takaisin tai vaihda se kunnossapito-osiossa kuvatulla tavalla.

KUNNOSSAPITO

VAROITUS: Varmista aina ennen säätöjä tai tarkastuksia, että laite on sammutettu ja akku on irrotettu. Jos virtaa ei katkaista eikä akkua irroteta, työkalu voi käynnistyä vahingossa ja aiheuttaa vakavan tapaturman.

HUOMAUTUS: Älä koskaan käytä bensiiniä, ohenteita, alkoholia tai tms. aineita. Muutoin pinta voi halkeilla tai sen värit ja muoto voivat muuttua. Muutoin laitteeseen voi tulla värjäytymiä, muodon vääristymiä tai halkeamia.

Tuotteen TURVALLISUUDEN ja LUOTETTAVUUDEN takaamiseksi korjaukset, muut huoltotyöt ja säädöt on teetettävä Makitan valtuutetussa huoltopisteessä Makitan varaosia käyttäen.

Nailonsiiman vaihtaminen

VAROITUS: Käytä vain nailonsiimoja, joiden paksaus on käyttöoppaan määritysten mukainen. Älä koskaan käytä tätä raskaampia siimoja, metallilankaa, narua tai vastaavia. Tämän ohjeen laiminlyönti saattaa vaurioittaa työkalua ja johtaa vakaviin vammoihin.

VAROITUS: Irrota nailonsiimapää aina työkälistä, kun vaihdat nailonsiimaa.

VAROITUS: Varmista, että nailonsiimapään kansi on tukevasti kiinni kotelossa näissä ohjeissa kuvatulla tavalla. Jos kansi ei ole tukevasti kiinni, nailonsiimapää voi sinkoutua irti ja aiheuttaa vakavia vammoja.

Vaihda nailonsiima, jos siimaa ei syöty enää ulos. Nailonsiiman vaihtotapa vaihtelee käytetyn nailonsiimapään mukaan.

95-M10L

► Kuva40

Muoviterän vaihtaminen

Vaihda muoviterä, jos se on kulunut tai rikkoutunut.

► **Kuva41**

Asenna muoviterä kohdistamalla terässä oleva nuoli teräsuojuksessa olevan nuolen kanssa.

► **Kuva42:** 1. Teräsuojuksessa oleva nuoli 2. Terässä oleva nuoli

VIANMÄÄRITYS

Tarkista laite ensin itse, ennen kuin viet sen korjattavaksi. Jos ongelmaan ei löydy ratkaisua käyttöoppaasta, älä kuitenkaan yritä purkaa työkalua osiin. Vie ota sen sijaan yhteyttä Makita-huoltoiliikkeeseen. Käytä korjaamiseen aina alkuperäisiä Makita-varaosia.

Epänormaali tila	Todennäköinen syy (toimintahäiriö)	Korjaus
Moottori ei käy.	Akkupakettia ei ole asennettu.	Kiinnitä akku paikalleen.
	Akkuongelma (alijännite)	Lataa akku. Jos lataaminen ei toimi tehokkaasti, vaihda akku.
	Vetojärjestelmä ei toimi oikein.	Pyydä valtuutettua huoltoiliikettäsi korjaamaan laite.
Moottori pysähtyy lyhyen käytön jälkeen.	Akun varaustila on alhainen.	Lataa akku. Jos lataaminen ei toimi tehokkaasti, vaihda akku.
	Ylikuumentuminen.	Lopeta työkalun käyttö ja anna sen jäähtyä.
Se ei saavuta suurinta kierroslukua.	Akkua ei ole asennettu oikein.	Asenna akkupaketti tämän käyttöohjeen ohjeiden mukaan.
	Akun teho laskee.	Lataa akku. Jos lataaminen ei toimi tehokkaasti, vaihda akku.
	Vetojärjestelmä ei toimi oikein.	Pyydä valtuutettua huoltoiliikettäsi korjaamaan laite.
Leikkuutyökalu ei pyöri: ⇒ pysäytä kone välittömästi!	Vierasesine, kuten oksa, jumittuu suojuksen ja leikkuutyökalun väliin.	Poista vieras esine.
	Vetojärjestelmä ei toimi oikein.	Pyydä valtuutettua huoltoiliikettäsi korjaamaan laite.
Epänormaali tärinä: ⇒ pysäytä kone välittömästi!	Nailonsiiman toinen pää on katkennut.	Kosketa nailonsiiman leikkuupäätä maata vasten, kun se pyörii ja syöttää siimaa.
	Vetojärjestelmä ei toimi oikein.	Pyydä valtuutettua huoltoiliikettäsi korjaamaan laite.
Leikkuutyökalua ja moottoria ei voi pysäyttää: ⇒ Poista akku välittömästi!	Sähköinen tai elektroninen toimintahäiriö.	Poista akku ja pyydä valtuutettua huoltoiliikettäsi korjaamaan laite.

LISÄVARUSTEET

VAROITUS: Käytä vain tässä oppaassa suositeltuja lisävarusteita ja -laitteita. Muiden lisävarusteiden tai -laitteiden käyttäminen voi aiheuttaa vakavan vamman.

HUOMIO: Seuraavia lisävarusteita tai laitteita suositellaan käytettäväksi tässä ohjeessa kuvatun Makita-työkalun kanssa. Muiden lisävarusteiden tai laitteiden käyttö voi aiheuttaa henkilövahinkoja. Käytä lisävarusteita ja -laitteita vain niiden käyttötarkoituksen mukaisesti.

Jos tarvitset apua tai yksityiskohtaisempia tietoja seuraavista lisävarusteista, ota yhteys paikalliseen Makitan huoltoon.

- Leikkuuterä
- Nylon leikkuupää
- Nailonsiimapää (leikkuusiima)
- Muoviterä
- Aito Makitan akku ja laturi

HUOMAA: Jotkin luettelossa mainitut varusteet voivat sisältyä työkalun toimitukseen vakiovarusteina. Ne voivat vaihdella maittain.

SPECIFIKĀCIJAS

Modelis:		DUR190U	DUR190L	DUR191U	DUR191L
Roktura veids		Divriteņa veida rokturis	Cilpas rokturis	Divriteņa veida rokturis	Cilpas rokturis
Ātrums bez slodzes		3: 6 000 min ⁻¹ 2: 5 100 min ⁻¹ 1: 3 500 min ⁻¹			
Garums (bez griešanas instrumenta)		1 775 mm			
Neilona auklas diametrs		2,0–2,4 mm			
Izmantojamais griešanas instruments un griešanas diametrs	3 zobu asmens (P/N 191J34-5)	230 mm			
	4 zobu asmens (P/N 729025-2)	230 mm			
	Neilona griezējgalva (P/N 126674-0)	300 mm			
	Plastmasas asmens (P/N 126642-3)	230 mm			
Nominālais spriegums		Līdzstrāva 18 V			
Tīrsvars		3,1 - 3,4 kg	2,9 - 3,2 kg	3,4 - 3,7 kg	3,2 - 3,5 kg

- Nepārtrauktās izpētes un izstrādes programmas dēļ šeit uzrādītās specifikācijas var tikt mainītas bez brīdinājuma.
- Atkarībā no valsts specifikācijas var atšķirties.
- Svārs var būt atšķirīgs atkarībā no papildierīces(-ēm), tostarp akumulatora kasetnes. Tabulā ir attēlota vieglākā un smagākā kombinācija atbilstoši EPTA procedūrai 01/2014.

Piemērotā akumulatora kasetne un lādētājs

Akumulatora kasetne	BL1815N / BL1820 / BL1820B / BL1830 / BL1830B / BL1840 / BL1840B / BL1850 / BL1850B / BL1860B
Lādētājs	DC18RC / DC18RD / DC18RE / DC18SD / DC18SE / DC18SF / DC18SH

- Daži no iepriekš norādītajiem lādētājiem un akumulatora kasetnēm var nebūt pieejami atkarībā no jūsu mītnes reģiona.

BRĪDINĀJUMS: Izmantojiet vienīgi iepriekš norādītās akumulatora kasetnes un lādētājus. Cita tipa akumulatora kasetņu un lādētāju izmantošana var radīt traumu un/vai aizdegšanās risku.

Ieteicamais akumulatora adapteris

Akumulatoru pārveidotājs	PDC01
--------------------------	-------

- Iepriekš norādītais(-ie) akumulatora adapteris(-i) var nebūt pieejams(-i) atkarībā no jūsu mītnes reģiona.
- Pirms akumulatora adaptera lietošanas izlasiet uz akumulatora adaptera esošos norādījumus un brīdinājumus.

Trokšņa līmenis

Modelis DUR190U

Griešanas instruments	Skaņas spiediena līmenis (L_{pA}) dB(A)		Skaņas jaudas līmenis (L_{WA}) dB(A)		Piemērojamie standarti
	L_{pA} dB(A)	Nenoteiktība (K) dB(A)	L_{WA} dB(A)	Nenoteiktība (K) dB(A)	
4 zobu asmens	77,0	3,9	91,6	2,4	ISO22868 (ISO11806-1)
Neilona griezējgalva	74,0	1,9	87,1	0,9	ISO22868 (ISO11806-1)/ EN50636-2-91
Plastmasas asmens	75,6	1,3	85,9	2,1	ISO22868 (ISO11806-1)/ EN50636-2-91

Modelis DUR190L

Griešanas instruments	Skaņas spiediena līmenis (L_{pA}) dB(A)		Skaņas jaudas līmenis (L_{WA}) dB(A)		Piemērojamie standarti
	L_{pA} dB(A)	Nenoteiktība (K) dB(A)	L_{WA} dB(A)	Nenoteiktība (K) dB(A)	
4 zobu asmens	77,0	3,9	91,6	2,4	ISO22868 (ISO11806-1)
Neilona griezējgalva	74,0	1,9	87,1	0,9	ISO22868 (ISO11806-1)/ EN50636-2-91
Plastmasas asmens	75,6	1,3	85,9	2,1	ISO22868 (ISO11806-1)/ EN50636-2-91

Modelis DUR191U

Griešanas instruments	Skaņas spiediena līmenis (L_{pA}) dB(A)		Skaņas jaudas līmenis (L_{WA}) dB(A)		Piemērojamie standarti
	L_{pA} dB(A)	Nenoteiktība (K) dB(A)	L_{WA} dB(A)	Nenoteiktība (K) dB(A)	
4 zobu asmens	77,0	3,9	91,6	2,4	ISO22868 (ISO11806-1)
Neilona griezējgalva	74,0	1,9	87,1	0,9	ISO22868 (ISO11806-1)/ EN50636-2-91
Plastmasas asmens	75,6	1,3	85,9	2,1	ISO22868 (ISO11806-1)/ EN50636-2-91

Modelis DUR191L

Griešanas instruments	Skaņas spiediena līmenis (L_{pA}) dB(A)		Skaņas jaudas līmenis (L_{WA}) dB(A)		Piemērojamie standarti
	L_{pA} dB(A)	Nenoteiktība (K) dB(A)	L_{WA} dB(A)	Nenoteiktība (K) dB(A)	
4 zobu asmens	77,0	3,9	91,6	2,4	ISO22868 (ISO11806-1)
Neilona griezējgalva	74,0	1,9	87,1	0,9	ISO22868 (ISO11806-1)/ EN50636-2-91
Plastmasas asmens	75,6	1,3	85,9	2,1	ISO22868 (ISO11806-1)/ EN50636-2-91

- Pat ja norādītais skaņas spiediena līmenis ir 80 dB (A) vai mazāks, lietojot darbarīku, līmenis var pārsniegt 80 dB (A). Lietojiet ausu aizsargus.

PIEZĪME: Paziņotā trokšņa emisijas vērtība noteikta atbilstoši standarta pārbaudes metodei, un to var izmantot, lai salīdzinātu vienu darbarīku ar citu.

PIEZĪME: Paziņoto trokšņa emisijas vērtību arī var izmantot iedarbības sākotnējā novērtējumā.

▲BRĪDINĀJUMS: Lietojiet ausu aizsargus.

▲BRĪDINĀJUMS: Trokšņa emisija patiesos darba apstākļos var atšķirties no paziņotās vērtības atkarībā no darbarīka izmantošanas veida un jo īpaši atkarībā no aprādājamā materiāla veida.

▲BRĪDINĀJUMS: Lai aizsargātu lietotāju, nosakiet drošības pasākumus, kas pamatoti ar iedarbību reālos darba apstākļos (ņemot vērā visus ekspluatācijas cikla posmus, piemēram, laiku, kamēr darbarīks ir izslēgts un kad darbojas tukšgaitā, kā arī palaides laiku).

Vibrācija

Modelis DUR190U

Griešanas instruments	Kreisā roka		Labā roka		Piemērojamie standarti
	$a_{h,w}$ (m/s^2)	NeNOTEIKTĪBA K (m/s^2)	$a_{h,w}$ (m/s^2)	NeNOTEIKTĪBA K (m/s^2)	
4 zobu asmens	≤ 2,5	1,5	≤ 2,5	1,5	ISO22867 (ISO11806-1)
Neilona griezējgalva	≤ 2,5	1,5	≤ 2,5	1,5	ISO22867 (ISO11806-1)
Plastmasas asmens	≤ 2,5	1,5	≤ 2,5	1,5	ISO22867 (ISO11806-1)

Modelis DUR190L

Griešanas instruments	Kreisā roka		Labā roka		Piemērojamie standarti
	$a_{h,w}$ (m/s^2)	NeNOTEIKTĪBA K (m/s^2)	$a_{h,w}$ (m/s^2)	NeNOTEIKTĪBA K (m/s^2)	
4 zobu asmens	≤ 2,5	1,5	≤ 2,5	1,5	ISO22867 (ISO11806-1)
Neilona griezējgalva	≤ 2,5	1,5	≤ 2,5	1,5	ISO22867 (ISO11806-1)
Plastmasas asmens	≤ 2,5	1,5	≤ 2,5	1,5	ISO22867 (ISO11806-1)

Modelis DUR191U

Griešanas instruments	Kreisā roka		Labā roka		Piemērojamie standarti
	$a_{h,w}$ (m/s^2)	NeNOTEIKTĪBA K (m/s^2)	$a_{h,w}$ (m/s^2)	NeNOTEIKTĪBA K (m/s^2)	
4 zobu asmens	≤ 2,5	1,5	≤ 2,5	1,5	ISO22867 (ISO11806-1)
Neilona griezējgalva	≤ 2,5	1,5	≤ 2,5	1,5	ISO22867 (ISO11806-1)
Plastmasas asmens	≤ 2,5	1,5	≤ 2,5	1,5	ISO22867 (ISO11806-1)

Modelis DUR191L

Griešanas instruments	Kreisā roka		Labā roka		Piemērojamie standarti
	$a_{h,w}$ (m/s^2)	NeNOTEIKTĪBA K (m/s^2)	$a_{h,w}$ (m/s^2)	NeNOTEIKTĪBA K (m/s^2)	
4 zobu asmens	≤ 2,5	1,5	≤ 2,5	1,5	ISO22867 (ISO11806-1)
Neilona griezējgalva	≤ 2,5	1,5	≤ 2,5	1,5	ISO22867 (ISO11806-1)
Plastmasas asmens	≤ 2,5	1,5	≤ 2,5	1,5	ISO22867 (ISO11806-1)

PIEZĪME: Paziņotā kopējā vibrācijas vērtība noteikta atbilstoši standarta pārbaudes metodei, un to var izmantot, lai salīdzinātu vienu darbarīku ar citu.

PIEZĪME: Paziņoto kopējo vibrācijas vērtību arī var izmantot iedarbības sākotnējā novērtējumā.

▲BRĪDINĀJUMS: Vibrācijas emisija patiesos darba apstākļos var atšķirties no paziņotās vērtības atkarībā no darbarīka izmantošanas veida un jo īpaši atkarībā no apstrādājamā materiāla veida.

▲BRĪDINĀJUMS: Lai aizsargātu lietotāju, nosakiet drošības pasākumus, kas pamatoti ar iedarbību reālos darba apstākļos (ņemot vērā visus ekspluatācijas cikla posmus, piemēram, laiku, kamēr darbarīks ir izslēgts un kad darbojas tukšgaitā, kā arī palaides laiku).

Simboli

Zemāk ir attēloti simboli, kas attiecas uz iekārtu. Pirms darbarīka izmantošanas pārlicinieties, vai pareizi izprotat to nozīmi.



Esiet īpaši rūpīgs un uzmanīgs.



Izlasiet lietošanas rokasgrāmatu.



Ieturiet vismaz 15 m attālumu.



Bīstami! Sargieties no izviesiem priekšmetiem.



Uzmanību – atsietsns



Izmantojiet ķiveri, aizsargbrilles un ausu aizsargus.



Lietojiet aizsargcimdus.



Valkājiet izturīgus apavus ar neslidošām zolēm. Ieteicami apavi ar tērauda purngaliem.



Nepakļaujiet mitru iedarbībai.



Tikai ES valstīm
Elektroierīces vai akumulatora bloku neizmetiet mājamsaimniecības atkritumos! Saskaņā ar Eiropas direktīvām par nolietotām elektriskām un elektroniskām iekārtām, kā arī par baterijām un akumulatoriem, nolietotām baterijām un akumulatoriem un šo direktīvu ieviešanu saskaņā ar valsts likumdošanu, elektriskās iekārtas, baterijas un akumulatori, to darbmūžam beidzoties, jāsavāc atsevišķi un jānogādā vidi saudzējošā atreizējās pārstrādes uzņēmumā.

EK atbilstības deklarācija

Tikai Eiropas valstīm

EK atbilstības deklarācija šajā lietošanas rokasgrāmatā ir iekļauta kā A pielikums.

DROŠĪBAS BRĪDINĀJUMI

Vispārīgi elektrisko darbarīku drošības brīdinājumi

▲BRĪDINĀJUMS: Izlasiet visus drošības brīdinājumus, instrukcijas, apskatiet ilustrācijas un tehniskos datus, kas iekļauti mehanizētā darbarīka komplektācijā. Ja netiek ievēroti visi tālāk minētie noteikumi, var tikt izraisīta elektrotrauma, notikt aizdegšanās un/vai rasties smagas traumas.

Glabājiet visus brīdinājumus un norādījumus, lai varētu tajos ieskatīties turpmāk.

Termins „elektrisks darbarīks” brīdinājumos attiecas uz tādu elektrisko darbarīku, ko darbina ar elektrību (ar vadu), vai tādu, ko darbina ar akumulatoru (bez vada).

Svarīgi drošības norādījumi par darbarīku

▲BRĪDINĀJUMS: Izlasiet visus drošības brīdinājumus un visus norādījumus. Brīdinājumu un norādījumu neievērošanas gadījumā var rasties elektriskās strāvas trieciens, aizdegšanās un/vai smagas traumas.

Glabājiet visus brīdinājumus un norādījumus, lai varētu tajos ieskatīties turpmāk.

Paredzētā lietošana

1. Šis darbarīks ir paredzēts tikai zāles, nezāļu, krūmu un krūmāju griešanai. To nedrīkst izmantot citiem mērķiem, piemēram, apstādījumu malu apgriešanai vai dzīvzogu cirpšanai, jo tas var izraisīt savainojumus.

Vispārēji norādījumi

1. Šo darbarīku nevar izmantot personas, kas nav iepazinušās ar šiem norādījumiem, personas (tai skaitā bērni) ar samazinātām fiziskām, uztveres vai psihiskām spējām, vai kam trūkst pieredze un zināšanas. Raugieties, lai bērni nerotaļātos ar darbarīku.
2. Pirms darbarīka iedarbināšanas izlasiet šo instrukciju rokasgrāmatu, lai iegūtu visu vajadzīgo informāciju par darbarīka lietošanu.
3. Neaizdodiet darbarīku personai, kurai nav pietiekamas pieredzes vai zināšanu par krūmgrieža un zāles trimera izmantošanu.
4. Aizdodot darbarīku, vienmēr pievienojiet šo instrukciju rokasgrāmatu.
5. Rīkojieties ar darbarīku maksimāli uzmanīgi un rūpīgi.
6. Neizmantojiet darbarīku pēc alkohola vai narkotiku lietošanas vai, ja esat noguris(-usi) vai slims(-a).
7. Nemēģiniet pārveidot darbarīku.
8. Ievērojiet savas valsts noteikumus par krūmgrieža un zāles apgriezējmašīnas izmantošanu.

Individuālās aizsardzības līdzekļi

► Att.1

1. Lietojiet aizsargķiveri, aizsargbrilles un aizsargcimdus, lai sevi pasargātu no lidojošiem gruziem vai krītošiem priekšmetiem.
2. Lai novērstu dzirdes bojājumus, lietojiet dzirdes aizsarglīdzekļus, piemēram, aizsargaustiņus.

- Lai izmantošana būtu droša, valkājiet atbilstošu apģērbu un apavus, piemēram, slēgtus, stingrus, neslīdošus apavus. Nevalkājiet brīvi krītošu apģērbu vai rotaslietas. Brīvi krītošs apģērbs, rotaslietas vai gari mati var ieķerties kustīgajās daļās.
- Pieskaroties griezējasmehānismiem, izmantojiet aizsargcimdus. Griezējasmehānismiem var smagi sagriezt kailas rokas.

Darba zonas drošība

- Izmantojiet darbarīku tikai labas redzamības apstākļos un dienas gaismā. Neizmantojiet darbarīku tumsā vai miglā.
- Nelietojiet darbarīku sprādzienbīstamā vidē, piemēram, uzliesmojošu šķidrumu, gāzu vai putekļu tuvumā. Darbarīks rada dzirksteles, kas var aizdedzināt putekļus vai izgarojumu tvaikus.
- Izmantošanas laikā nekad nestāviet uz nestabilas vai slidenas virsmas vai uz stāvas nogāzes. Aukstajā gadalaikā uzmanieties no ledus un sniega un vienmēr nodrošiniet stabilu pamatu zem kājām.
- Izmantošanas laikā nodrošiniet, lai cilvēki vai dzīvnieki neatrastos tuvāk par 15 m no darbarīka. Izslēdziet darbarīku, tiklīdz kāds tuvojas.
- Nekādā gadījumā nestrādājiet ar darbarīku, ja tuvumā ir cilvēki, jo īpaši bērni, vai dzīvnieki.
- Pirms izmantošanas pārbaudiet, vai darba zonā nav akmeņu vai citu cietu priekšmetu. Darba laikā tie var tikt aizķerti un uzņemti gaisā vai tie var izraisīt bīstamus atsietumus, radot smagus ievainojumus un/vai īpašuma bojājumus.
- ⚠BRĪDINĀJUMS!** Šī izstrādājuma izmantošanas laikā var veidoties ķīmiski putekļi, kas var izraisīt elpceļu vai citas slimības. Dažas šīs ķīmiskās vielas ir pesticīdu, insekticīdu, mākslīgā mēslojuma un herbicīdu sastāvā. Risks jūsu veselībai atkarīgs no tā, cik bieži veicat šāda veida darbu. Lai mazināt šo ķīmisko vielu iedarbību, strādājiet labi vēdinātā darba vietā un ar apstiprinātiem drošības piederumiem, piemēram, putekļu maskām, kas ir speciāli paredzētas mikroskopisku daļiņu filtrēšanai.

Elektrodrošība un akumulatora drošība

- Sargiet darbarīku no lietus vai mitriem apstākļiem. Ja darbarīkā iekļūš ūdens, palielināsies elektriskā trieciena rašanās risks.
- Nelietojiet darbarīku, ja to ar slēdzi nevar ne ieslēgt, ne izslēgt. Ja darbarīku nav iespējams kontrolēt ar slēdža palīdzību, tas ir bīstams un ir jāsalabo.
- Izvairieties no nejausas iedarbināšanas. Pirms akumulatora ievietošanas, darbarīka pacelšanas vai nešanas pārbaudiet, vai slēdzis ir izslēgšanas pozīcijā. Darbarīka nešana ar pirkstu uz slēdža vai darbarīka pievienošana kontaktam, kad slēdzis ir ieslēgšanas pozīcijā, palielina negadījumu rašanās risku.
- Neatbrīvojieties no akumulatora(-iem), to(-s) dedzinot. Var rasties eksplozija. Skatiet attiecīgos valsts noteikumus, lai uzzinātu īpašus norādījumus izmešanai atkritumos.
- Akumulatoru(-s) nedrīkst atvērt vai sabojāt. Iztecējušais elektrolīts ir kodīgs un var nodarīt kaitējumu acīm vai ādai. Norijot tas var būt toksisks.
- Nelādējiet akumulatoru lietū vai mitrās vietās.

Ekspluatācijas sākšana

- Pirms darbarīka montāžas vai regulēšanas izņemiet akumulatora kasetni.
- Pirms rīkošanās ar griezējasmehānismiem, uzvelciet aizsargcimdus.
- Pirms akumulatora kasetnes ievietošanas pārbaudiet, vai darbarīks nav bojāts, vai nav vajīgu skrūvju/uzgriežņu un vai tas ir pareizi samontēts. Neasi griezējasmehānismiem ir jāuzasina. Ja griezējasmehānisms ir saliekts vai bojāts, nomainiet to. Pārbaudiet, vai visas vadības sviras un slēdži darbojas viegli. Notīriet un nožāvējiet rokturus.
- Nemēģiniet ieslēgt darbarīku, ja tas ir bojāts vai nav pilnībā samontēts. Pretējā gadījumā iespējamas smagas traumas.
- Noregulējiet plecu siksnas un rokturi atbilstīgi operatora ķermeņa izmēram.
- Ievietojot akumulatora kasetni, turiet darbarīku tā, lai griezējinstrumenti neskartos pie jūsu ķermeņa un citiem objektiem, tostarp zemes. Pēc darbarīka iedarbināšanas tas var sākt kustēties, izraisot traumas vai darbarīka un/vai īpašuma bojājumus.
- Pirms darbarīka ieslēgšanas noņemiet no tā visus regulēšanas instrumentus, uzgriežņus, slēģus un asmens aizsargus. Ja darbarīka rotējošajai daļai paliek piestiprināts piederums, rodas ievainojumu gūšanas risks.
- Griešanas instruments ir jāpārīko ar aizsargu. Nelietojiet darbarīku ar bojātiem aizsargiem vai bez tiem!
- Raugieties, lai tuvumā nav elektrības vadu, ūdens cauruļu, gāzes cauruļu vai citu infrastruktūras elementu, kas varētu radīt bīstamu situāciju, ja tos darba laikā sabojā ar šo darbarīku.

Ekspluatācija

- Avārijas situācijā nekavējoties izslēdziet darbarīku.
- Ja izmantošanas laikā ievērojāt ko nepareizu (piem., troksni, vibrāciju), izslēdziet darbarīku un izņemiet akumulatora kasetni. Neizmantojiet darbarīku, kamēr nav nokāstēts un novērsts attiecīgais cēlonis.
- Griezējinstrumenti turpina kustēties īsu brīdi pēc darbarīka izslēgšanas. Nestaidzieties pieskarties griezējinstrumentam.
- Lietošanas laikā izmantojiet plecu siksnas. Cieši turiet darbarīku labajā pusē.
- Nesniedzieties pārāk tālu. Vienmēr stingri stāviet uz piemērota atbalsta un saglabājiet līdzsvaru. Lai nepakluptu, uzmanieties no slēptiem šķēršļiem, piemēram, celmiem, saknēm un bedrēm.
- Strādājot nogāzē, nodrošiniet stabilu kāju atbalstu.
- Pārvietojieties staigājot, nekad neskrieniet.
- Lai nezaudētu kontroli, nekad nestrādājiet, atrodoties uz kāpnēm vai kokā.
- Ja darbarīks ir saņēmis smagu triecienu vai kritis, pārbaudiet tā stāvokli, pirms turpināt darbu. Pārbaudiet, vai vadības un drošības ierīces darbojas bez kļūdām. Ja ir bojājumi vai rodas šaubas, vērsieties mūsu pilnvarotajā apkopes centrā, lai veiktu pārbaudi un remontu.

10. **Regulāri atpūties, lai noguruma dēļ nezaudētu kontroli.** Mēs iesakām katru stundu atpūsties 10 līdz 20 minūtes.
11. **Atstājot darbarīku pat uz īsu brīdi, vienmēr izņemiet akumulatora kasetni.** Nepieskatītu ierīci ar ievietotu akumulatora kasetni var izmantot nepilnvarota persona un izraisīt nopietnu negadījumu.
12. **Ja starp griezējinstrumentu un aizsargu iekeras zāle vai zari, pirms tīrīšanas vienmēr izslēdziet darbarīku un izņemiet akumulatora kasetni.** Citādi griezējinstrumenti var nejauši sākt griezties un izraisīt smagas traumas.
13. **Nepieskarieties kustīgām bīstamām detaļām, kamēr šīs detaļas nav pilnībā apstājušās un akumulatora kasetne nav izņemta.**
14. **Ja griezējinstrumenti saduras ar akmeņiem vai citiem cietiem priekšmetiem, nekavējoties izslēdziet darbarīku.** Pēc tam izņemiet akumulatora kasetni un pārbaudiet griezējinstrumentu.
15. **Ekspluatācijas laikā regulāri pārbaudiet, vai griezējinstrumentā nav plaisu vai bojājumu.** Pirms pārbaudes izņemiet akumulatora kasetni un pagaidiet, līdz griezējinstrumenti pilnībā apstājas. Bojātu griezējinstrumentu nomainiet nekavējoties pat tad, ja tam ir tikai virsējas plaisas.
16. **Nekad negrieziet augstāk par vidukļa augstumu.**
17. **Pirms griešanas sākšanas pagaidiet, kamēr griezējinstrumenti pēc darbarīka ieslēgšanas sasniedz nemainīgu ātrumu.**
18. **Izmantojot griešanas asmeņus, darbarīku vienmērīgi pārvietojiet pusapļņ no labās puses uz kreiso pusi – līdzīgi kā ar izkapti.**
19. **Turiet darbarīku tikai aiz izolētajām satveršanas virsmām, jo griezējasmens var skart aplēptus vadus.** Ja griezējasmens saskarsies ar vadu, kurā ir strāva, visas darbarīka ārējās metāla virsmas vadīs strāvu un radīs elektriskās strāvas trieciena risku.
20. **Neiedarbiniet darbarīku, kad ap griešanas instrumentu ir aptinusies nogriezta zāle.**
21. **Pirms darbarīka iedarbināšanas pārliecinieties, ka griešanas instruments nesaskaras ar zemi vai citiem šķēršļiem, piemēram, koku.**
22. **Strādājot vienmēr turiet darbarīku ar abām rokām.** Strādājot nekādā gadījumā neturiet darbarīku ar vienu roku.
23. **Nelietojiet darbarīku sliktos apstākļos vai ja ir iespējams zibens.**

Griešanas instrumenti

1. **Neizmantojiet neapstiprinātus griešanas instrumentus.**
2. **Izmantojot paredzētajam darbam piemērotu griezējinstrumentu.**
 - Neilona griezējgalvas (auklas apgriezējmašīnas galvas) un plastmasas asmeņi ir piemēroti mauriņa zāles griešanai.
 - Griešanas asmeņi ir piemēroti nezāļu, garas zāles, krūmu, brikšņu, krūmāju, ataugu u. c. augu griešanai.

— Nekad neizmantojiet citus asmeņus, tostarp vairāku posmu metāla ķēdes un sprigūļa asmeņus. Šādi var gūt smagus ievainojumus.

3. **Izmantojiet tikai tādus griešanas instrumentus, kuri ir marķēti ar ātrumu, kas ir vienāds vai lielāks par ātrumu, kas norādīts uz darbarīka.**
4. **Netuviniet rokas, seju un apģērbu griešanas instrumentam, kad tas griežas.** Neievērojot šo norādījumu, ir iespējami savainojumi.
5. **Vienmēr izmantojiet izmantotajam griezējinstrumentam piemērotu aizsargu.**
6. **Izmantojot griešanas asmeņus, izvairieties no situācijām, kas izraisa atsitienus, un vienmēr esiet gatavs jaunam atsitienam.** Skatiet sadaļu par atsitieniem.
7. **Kad asmens netiek izmantots, uzlieciet tā pārsegu.** Pirms darba sākšanas noņemiet pārsegu.

Atsitieni (asmens grūdiens)

1. **Atsitieni (asmens grūdiens) ir pēkšņa reakcija uz iestrēgušu vai saliektu griezējasmēni.** Atsitiena brīdī darbarīks ar lielu spēku tiek "mests" sāniski vai operatora virzienā, un tas var izraisīt smagus ievainojumus.
2. **Visbiežāk atsitieni rodas, ja asmens posmu, kas atēlā norādīts starp 12 un 2, izmanto, lai zāģētu ciētu koksnī vai krūmus un kokus, kuru diametrs ir 3 cm vai lielāks.**

► Att.2

3. **Lai izvairītos no atsitieniem, rīkojieties, kā norādīts tālāk.**
 1. **Izmantojiet asmens posmu starp 8 un 11.**
 2. **Nekad neizmantojiet asmens posmu starp 12 un 2.**
 3. **Asmens posmu starp 11 un 12 un starp 2 un 5 var izmantot tikai tad, ja lietotājs ir pietiekami apmācīts un pieredzējis, kā arī pats uzņemas visu risku.**
 4. **Neizmantojiet griezējasmēni pārāk tuvu cietiem priekšmetiem, piemēram, žogiem, sienām, stumbriem un akmeņiem.**
 5. **Nekad neizmantojiet griezējasmēni vertikāli, piemēram, malu apgriešanai vai dzīvzogu cirpšanai.**

► Att.3

Vibrācija

1. **Ja cilvēki ar vāju asinsriti ir pakļauti pārmērīgai vibrācijai, tiem var rasties asinsvadu vai nervu sistēmas ievainojumi.** Vibrācija pirkstos, plaukstās vai plaukstu locītavās var radīt tālāk norādītus simptomus. „Iemīgšanu” (nejūtīgumu), tirpšanu, sāpes, durstīgas sajūtas, ādas krāsas vai ādas izmaiņas. Ja novērojami kādi no minētajiem simptomiem, apmeklējiet ārstu!
2. **Lai samazinātu „balto pirkstu slimības” rašanās risku, ekspluatācijas laikā uzturiet rokas siltas un veiciet kārtīgu darbarīka un piederumu apkopi.**

Transportēšana

1. Pirms darbarīka transportēšanas vienmēr izslēdziet darbarīku un izņemiet akumulatora kasetni. Piestipriniet pārsegu griezējasmēnim.
2. Pārvietojot darbarīku, nesiet to horizontālā stāvoklī, turot vārpstu.
3. Transportējot transportlīdzeklī, pareizi nostipriniet darbarīku, lai novērstu tā apgāšanos. Citādi var sabojāt darbarīku vai citu bagāžu.

Apkope

1. Nododiet darbarīku apkopei pilnvarotā servisa centrā un vienmēr izmantojiet tikai oriģinālās rezerves daļas. Nepareiza labošana un sliktā apkope var saīsināt darbarīka kalpošanas laiku un palielināt negadījumu risku.
2. Pirms darbarīka apkopes, remonta vai tīrīšanas vienmēr izslēdziet darbarīku un izņemiet akumulatora kasetni.
3. Strādājot ar griezējasmēni, vienmēr lietojiet aizsargcimdus.
4. Vienmēr noīrēt no darbarīka putekļus un netīrumus. Šīm mērķim neizmantojiet degvielu, benzīnu, atšķaidītāju, spirtu vai līdzīgus šķidrumus. Pretējā gadījumā plastmasas detaļas var mainīt krāsu, deformēties vai saplaisāt.
5. Pēc katras lietošanas pievelciet visas skrūves un uzgriežņus.
6. Neveiciet nekādus apskopes vai remonta darbus, kas nav norādīti instrukciju rokasgrāmatā. Šādus darbus uzticiet mūsu pilnvarotā apkopes centra speciālistiem.
7. Vienmēr izmantojiet tikai mūsu oriģinālās rezerves daļas un piederumus. Izmantojot trešo pušu nodrošinātas detaļas un piederumus, iespējami darbarīka bojājumi, īpašuma bojājumi un/vai smagi ievainojumi.
8. Regulāri pārbaudiet un apkopiet darbarīku pilnvarotā apkopes centrā.
9. Vienmēr uzturiet darbarīku labā darba stāvoklī. Nepietiekama apkope var izraisīt neapmierinošu sniegumu un saīsināt darbarīka darbību.

Glabāšana

1. Pirms darbarīka novietošanas glabāšanai veiciet visas tīrīšanas un apkopes procedūras. Izņemiet akumulatora kasetni. Piestipriniet pārsegu griezējasmēnim.
2. Glabājiet darbarīku sausā un augstā vai aizslēgtā vietā, kas nav pieejama bērniem.
3. Neatbalstiet darbarīku, piemēram, pret sienu. Tas var pēkšņi krist un izraisīt ievainojumus.

Pirmā palīdzība

1. Vienmēr nodrošiniet, lai tuvumā būtu pirmās palīdzības komplekts. Nekavējoties papildiniet pirmās palīdzības komplektu, ja kaut kas no tā ir izņemts.
2. Lūdzot palīdzību, vienmēr sniedziet šādu informāciju:
 - negadījuma vieta;
 - notikušā apraksts;
 - ievainoto personu skaits;
 - ievainojuma veids;
 - jūsu vārds.

Svarīgi drošības norādījumi par akumulatora kasetni

1. Pirms akumulatora lietošanas izlasiet visus norādījumus un brīdinājumus, kuri attiecas uz (1) akumulatora lādētāju, (2) akumulatoru un (3) ierīci, kurā tiek izmantots akumulators.
2. Neizjauciet akumulatoru.
3. Ja akumulatora darbības laiks kļūva ievērojami īsāks, nekavējoties pārtrauciet to izmantot. Citādi, tas var izraisīt pārkarsējumu, uzliesmojumu vai pat sprādzienu.
4. Ja elektrolīts nonāk acīs, izskalojiet tās ar tīru ūdens un nekavējoties griezieties pie ārsta. Tas var izraisīt redzes zaudēšanu.
5. Neradiet īssavienojumu akumulatora kasetnē:
 - (1) Nepieskarieties spaiļiem ar elektrību vadošiem materiāliem.
 - (2) Neuzglabājiet akumulatoru kasetni kopā ar citiem metāla priekšmetiem, tādiem kā naglas, monētas u. c.
 - (3) Nepakļaujiet akumulatora kasetni ūdens vai lietus iedarbībai.Akumulatora īssavienojums var radīt spēcīgu strāvas plūsmu, pārkaršanu, uzliesmojumu un pat sabojāt akumulatoru.
6. Neglabājiet darbarīku un akumulatora kasetni vietās, kur temperatūra var sasniegt vai pārsniegt 50 °C (122 °F).
7. Nededziniet akumulatora kasetni, pat ja tā ir stipri bojāta vai pilnībā nolietota. Akumulatora kasetne uguni var eksplodēt.
8. Uzmanieties, lai neļautu akumulatoram nokrist un nepakļautu to sitienam.
9. Neizmantojiet bojātu akumulatoru.
10. Uz izmantotajiem litiņa jonu akumulatoriem attiecas likumdošanas prasības par bīstamiem izstrādājumiem.

Komerציāli transportēšanā, ko veic, piemēram, trešās puses, transporta uzņēmumi, jāievēro uz iesaiņojuma un marķējuma norādītās īpašās prasības.

Lai izstrādājumu sagatavotu nosūtīšanai, jāsaiznās ar bīstamo materiālu speciālistu. Ievērojiet arī citus attiecināmos valsts normatīvus. Vaļējus kontaktus nosedziet ar līmlenti vai citādi pārklājiet, bet akumulatoru iesaiņojiet tā, lai sānīt tas nevarētu izkustēties.
11. Lai utilizētu akumulatora kasetni, izņemiet to no darbarīka un likvidējiet drošā vietā. Ievērojiet vietējos noteikumus par akumulatora likvidēšanu.
12. Izmantojiet šos akumulatorus tikai ar izstrādājumiem, kurus norādījis Makita. Ievietojot šos akumulatorus nesaderīgos izstrādājumos, var rasties ugunsgrēks, pārmērīgs karstums, tie var uzsprāgt vai no tiem var iztecēt elektrolīts.
13. Ja darbarīks netiks lietots ilgu laiku, no tā jāizņem akumulators.

SAGLABĀJIET ŠOS NORĀDĪJUMUS.

⚠UZMANĪBU: Lietojiet tikai oriģinālos Makita akumulatorus. Ja lietojat neoriģinālus Makita akumulatorus vai pārveidotus akumulatorus, tie var uzsprāgt un izraisīt aizdegšanos, traumas un materiālos zaudējumus. Tikš anulēta arī Makita darbarīka un lādētāja garantija.

Ieteikumi akumulatora kalpošanas laika pagarināšanai

1. Uzlādējiet akumulatora kasetni, pirms tā ir pilnībā izlādējusies. Vienmēr, kad ievērojat, ka darbarīka darba jauda zudusi, apturiet darbarīku un uzlādējiet akumulatora kasetni.
2. Nekad neuzlādējiet pilnībā uzlādētu akumulatora kasetni. Pārmērīga uzlāde saīsina akumulatora kalpošanas laiku.
3. Uzlādējiet akumulatora kasetni istabas temperatūrā 10 °C - 40 °C. Karstai akumulatora kasetnei pirms uzlādes ļaujiet atdzist.
4. Uzlādējiet litiņa jonu akumulatora kasetni, ja to ilgstoši nelietosit (vairāk nekā sešus mēnešus).

DETAĻU APRAKSTS

► Att.4

1	Ātruma indikators	2	ADT indikators (ADT = automātiskā griezes momenta piedziņas tehnoloģija)	3	Brīdinājuma lampiņa	4	Galvenā ieslēgšanas poga
5	Virzienmaiņas poga	6	Akumulatora kasetne	7	Atbloķēšanas svira	8	Slēdža mēlīte
9	Cilpa	10	Rokturis	11	Barjera (atkarībā no valsts)	12	Aizsargs
13	Bloķēšanas svira (tikai modeļiem DUR191U un DUR191L)	14	Savienojuma pārsegs (tikai modeļiem DUR191U un DUR191L)	15	Vāciņš (tikai modeļiem DUR191U un DUR191L)	16	Plecu sikсна

FUNKCIJU APRAKSTS

⚠BRĪDINĀJUMS: Pirms darbarīka regulēšanas vai tā darbības pārbaudes vienmēr pārliecinieties, ka darbarīks ir izslēgts un akumulatora kasetne ir izņemta. Ja darbarīku neizslēdz un neizņem akumulatora kasetni, tad nejaušas ieslēgšanas gadījumā kādu var smagi traumēt.

Akumulatora kasetnes uzstādīšana un izņemšana

⚠UZMANĪBU: Vienmēr pirms akumulatora kasetnes uzstādīšanas vai noņemšanas izslēdziet darbarīku.

⚠UZMANĪBU: Uzstādot vai izņemot akumulatora kasetni, darbarīku un akumulatora kasetni turiet cieši. Ja darbarīku un akumulatora kasetni netur cieši, tie var izkrist no rokām un radīt bojājumus darbarīkam un akumulatora kasetnei, kā arī izraisīt ievainojumus.

► Att.5: 1. Sarkanās krāsas indikators 2. Poga 3. Akumulatora kasetne

Lai izņemtu akumulatora kasetni, izvelciet to no darbarīka, pārbdot kasetnes priekšpusē esošo pogu.

Lai uzstādītu akumulatora kasetni, salāgojiet mēlīti uz akumulatora kasetnes ar rievu ietvarā un iebīdīet to

vietā. Ievietojiet to līdz galam, līdz tā ar klikšķi nofiksējas. Ja poga augšējā daļā redzams sarkanās krāsas indikators, tas nozīmē, ka tā nav pilnīgi fiksēta.

⚠UZMANĪBU: Vienmēr ievietojiet akumulatora kasetni tā, lai sarkanais indikators nebūtu redzams. Pretējā gadījumā tā var nejaushi izkrist no darbarīka un izraisīt jums vai apkārtējiem traumas.

⚠UZMANĪBU: Neievietojiet akumulatora kasetni ar spēku. Ja kasetne neslīd ietvarā viegli, tā nav pareizi ielikta.

Darbarīka/akumulatora aizsardzības sistēma

Darbarīks ir aprīkots ar darbarīka/akumulatora aizsardzības sistēmu. Šī sistēma automātiski izslēdz motora barošanu, lai pagarinātu darbarīka un akumulatora darbību. Darbarīks lietošanas laikā automātiski pārstās darboties, ja to pakļaus kādam no tālāk minētajiem apstākļiem.

Krāsa	Brīdinājuma lampiņa		Statuss
	● Deg	○ Mirgo	
Sarkana	●	○	Pārslodze
Sarkana	●	○	Pārkaršana
Sarkana	●	○	Pārmērīga izlāde

Aizsardzība pret pārslodzi

Ja darba laikā atgadās kāda no tālāk minētajām situācijām, darbarīks automātiski pārstāj darboties un brīdinājuma lampiņa sāk mirgot sarkanā krāsā.

- Sapinušās nezāles vai citi priekšmeti rada darbarīka pārslodzi.
- Griešanas instruments ir nobloķēts vai radies atslētiens.
- Tiek nospiesta galvenā ieslēgšanas poga, kamēr ir nospiesta slēdža mēlīte.

Šādā gadījumā atlaižiet slēdža mēlīti un vajadzības gadījumā iztīriet iekērušās nezāles vai netīrumus. Pēc tam vēlreiz nospiediet slēdža mēlīti, lai atsāktu darbu.

⚠UZMANĪBU: Ja ap darbarīku aptinušās nezāles vai vēlaties atbrīvot nobloķētu griešanas instrumentu, vispirms noteikti izslēdziet darbarīku.

Aizsardzība pret darbarīka vai akumulatora pārkaršanu

Kad darbarīks vai akumulatora kasetne ir pārkarsusi, darbarīks automātiski pārstāj darboties. Ja darbarīks vai akumulatora kasetne ir pārkarsusi, ātruma indikators un ADT indikators izslēdzas un brīdinājuma lampiņa iedegas sarkanā krāsā. Ļaujiet darbarīkam un/vai akumulatoram atdzist pirms atkārtotas darbarīka ieslēgšanas.

Aizsardzība pret akumulatora pārmērīgu izlādi

Kad akumulatora atlikusj jauda ir zema, darbarīks automātiski pārstāj darboties. Ātruma indikators un ADT indikators izslēdzas, un brīdinājuma lampiņa sāk mirgot sarkanā krāsā. Ja darbarīks nedarbojas, pat ieslēdzot slēdžu, izņemiet akumulatora kasetni un uzlādējiet to.

Atlikušās akumulatora jaudas indikators

Tikai akumulatora kasetnēm ar indikatoru

► **Att.6:** 1. Indikatora lampas 2. Pārbaudes poga

Nospiediet akumulatora kasetnes pārbaudes pogu, lai pārbaudītu akumulatora atlikušo uzlādes līmeni. Indikatoru iedegies uz dažām sekundēm.

Indikatora lampas			Atlikusī jauda
			No 75% līdz 100%
			No 50% līdz 75%
			No 25% līdz 50%
			No 0% līdz 25%
			Uzlādējiet akumulatoru.
			Iespējama akumulatora kļūme.

PIEZĪME: Reālā jauda var nedaudz atšķirties no norādītās atkarībā no lietošanas apstākļiem un apkārtējās temperatūras.

Galvenais elektropadeves slēdzis

Pieskarities galvenajai ieslēgšanas pogai, lai ieslēgtu darbarīku.

Lai darbarīku izslēgtu, turiet nospiestu galveno ieslēgšanas pogu, līdz izdzies ātruma indikators.

► **Att.7:** 1. Ātruma indikators 2. Galvenā ieslēgšanas poga

PIEZĪME: Ja darbarīku noteiktu laiku nelieto, tas automātiski izslēdzas.

Slēdža darbība

⚠BRĪDINĀJUMS: Pirms akumulatora kasetnes ievietošanas darbarīkā, vienmēr pārbaudiet, vai slēdža mēlīte darbojas pareizi un pēc atlaišanas atgriežas „OFF” (izslēgts) stāvoklī. Lietojot darbarīku, kura slēdzis nedarbojas pareizi, var zaudēt kontroli un radīt nopietnas traumas.

⚠UZMANĪBU: Kad darbarīku pārnēsājat, nekad nenovienojiet pirkstu uz slēdža. Darbarīks var sākt nejauši darboties un izraisīt traumas.

Lai nepieļautu slēdža mēlītes nejaušu nospiešanu, darbarīks ir aprīkots ar atbloķēšanas sviru.

Lai ieslēgtu darbarīku, satveriet rokturi (satvēriens atbrīvo bloķēšanas sviru) un pēc tam nospiediet slēdža mēlīti. Lai apturētu darbarīku, atlaižiet slēdža mēlīti.

DUR190U un DUR191U

► **Att.8:** 1. Atbloķēšanas svira 2. Slēdža mēlīte

DUR190L un DUR191L

► **Att.9:** 1. Atbloķēšanas svira 2. Slēdža mēlīte

PIEZĪME: Darbarīks automātiski izslēdzas, ja to noteiktu laiku atstāj nedarbinātā.

Ātruma regulēšana

Darbarīka ātrumu var regulēt, pieskaroties galvenajai barošanas pogai. Katru reizi, pieskaroties galvenajai barošanas pogai, ātruma līmenis mainīsies.

► **Att.10:** 1. Ātruma indikators 2. Galvenā ieslēgšanas poga 3. ADT indikators

Ātruma indikators	Režīms	Griešanās ātrums
	ADT	3 500 - 6 000 min ⁻¹
	Liels	6 000 min ⁻¹
	Vidējs	5 100 min ⁻¹
	Mazs	3 500 min ⁻¹

PIEZĪME: Aktivizējot automātisko griezes momenta piedziņas tehnoloģiju (ADT), iedegas ADT indikators un darbarīks optimizē griešanās ātrumu un griezes momentu atkarībā no apstākļiem, kādos zāle tiek pļauta.

Virziena maiņas poga neīrums izņemšanai

▲BRĪDINĀJUMS: Pirms tādu nezāļu vai neīrums izņemšanas, ko nevar izņemt ar darbarīka iedarbināšanu pretējā virzienā, vienmēr izslēdziet darbarīku un izņemiet akumulatora kasetni. Ja darbarīku neizslēdz un neņem akumulatora kasetni, tad nejaušanas ieslēgšanas gadījumā kādu var smagi traumēt.

Šis darbarīks ir aprīkots ar virziena maiņas pogu, kas ļauj mainīt griešanās virzienu. Tā paredzēta tikai darbarīka iekārtošanai nezāļu vai neīrums izņemšanai. Lai mainītu griešanās virzienu, apstādiniet griešanas instrumentu, pieskarieties virziena maiņas pogai un vienlaikus turiet nospiestu atbloķēšanas sviru un nospiediet slēdža mēlīti. Nospiežot slēdža mēlīti, sāks mirgot ātruma indikators un ADT indikators un griešanas instruments griežas pretējā virzienā. Lai ieslēgtu parasto griešanās virzienu, atlaidiet slēdža mēlīti un gaidiet, līdz griešanas instruments pārstāj griezties.

► **Att.11:** 1. Ātruma indikators 2. ADT indikators 3. Virziena maiņas poga

PIEZĪME: Pretējā virzienā darbarīks darbojas tikai īslaicīgi un pēc tam automātiski pārstāj griezties.

PIEZĪME: Darbarīks pēc apstāšanās atkal griezties parastajā griešanās virzienā, tiklīdz to no jauna ieslēgs.

PIEZĪME: Ja virziena maiņas pogai pieskarieties, kamēr griešanas instruments joprojām griežas, darbarīks apstāsies un tad būs gatavs griezties pretējā virzienā.

Elektrobremze

Darbarīks ir aprīkots ar elektrobremzi. Ja darbarīks regulāri neapstājas uzreiz pēc slēdža mēlītes atlaišanas, nododiet darbarīku mūsu apkopes centrā, lai to salabotu.

▲UZMANĪBU: Bremzes sistēma nav piemērota lietošanai ar aizsargu. Neizmantojiet darbarīku, ja nav uzstādīts aizsargs. Griešanas instruments bez aizsarga var izraisīt smagas traumas.

MONTĀŽA

▲BRĪDINĀJUMS: Pirms darbarīka regulēšanas vienmēr pārbaudiet, vai tas ir izslēgts un akumulatora kasetne izņemta. Ja darbarīku neizslēdz un neņem akumulatora kasetni, tad nejaušanas ieslēgšanas gadījumā kādu var smagi traumēt.

▲BRĪDINĀJUMS: Neieslēdziet darbarīku, ja tas nav pilnībā salikts. Nejauši ieslēdzot daļēji saliktu darbarīku, var gūt smagas traumas.

Roktura uzstādīšana

Tikai modeļiem DUR190U un DUR191U

1. Roktura vārpstu ievietojiet rokturī. Skrūves atveri rokturī savietojiet ar skrūves atveri vārpstā. Stingri pieskrūvējiet skrūvi.

► **Att.12:** 1. Rokturis 2. Skrūve 3. Rokturis

2. Rokturi novietojiet starp roktura skavu un roktura balstu. Noregulējiet rokturi darbam ērtā leņķī un pēc tam to cieši piestipriniet ar sešstūru galviņas padziļinājuma bultskrūvēm.

► **Att.13:** 1. Sešstūru galviņas padziļinājuma bultskrūve 2. Roktura skava 3. Roktura turētājs

Barjeras piestiprināšana

Tikai modeļiem DUR190L un DUR191L

Ja barjera ir iekļauta jūsu modeļa komplektācijā, pieskrūvējiet to rokturim, izmantojot barjeras skrūvi.

► **Att.14:** 1. Barjera 2. Skrūve

▲UZMANĪBU: Kad barjera ir pievienota, vairs **neņemiet to**. Barjera ir daļa no drošības aprīkojuma, kas sargā jūs no nejaušanas saskarses ar griešanas asmeni.

Papildu caurules piestiprināšana

Tikai modeļiem DUR191U un DUR191L

Papildu cauruli piestipriniet pie piedziņas bloka.

1. Sviru pagrieziet attēlā norādītās bultiņas virzienā.

► **Att.15:** 1. Svira

2. Pavelciet augšup savienojuma pārsegu un ievietojiet papildu cauruli, izvirkojumus uz caurules (griezējinstrumenta pusē) savietojot ar savienojuma detaļas ieliekto daļu.

► **Att.16:** 1. Bloķēšanas svira 2. Savienojuma pārsegs 3. Caurule

Pārbaudiet, vai bloķēšanas sviras virsma pret cauruli atrodas paralēli.

3. Sviru pagrieziet attēlā norādītās bultiņas virzienā.

► **Att.17:** 1. Svira

Lai noņemtu cauruli, sviru pagrieziet attēlā norādītās bultiņas virzienā un izvelciet cauruli, nospiežot bloķēšanas sviru.

► **Att.18:** 1. Svira 2. Bloķēšanas svira 3. Caurule

Aizsarga uzstādīšana

▲BRĪDINĀJUMS: Neizmantojiet darbarīku, ja nav uzstādīts attēlā redzamais aizsargs. Darbojoties bez aizsarga, iespējams nopietni traumēties.

▲UZMANĪBU: Sargieties, lai nesavinātos ar griezēju, kas paredzēts neilona auklas nogriešanai.

Pieskrūvējiet aizsargu pie skavas ar skrūvēm.

► **Att.19:** 1. Skava 2. Aizsargs 3. Frēze

Griešanas instrumenta uzstādīšana

PIEZĪME: Standarta komplektā iekļautā(-o) griešanas instrumenta(-u) veids dažādās valstīs atšķiras. Dažās valstīs griešanas instruments komplektā nav iekļauts.

PIEZĪME: Lai viegli nomaiņātu griešanas instrumentu, apgrieziet darbarīku otrādi.

Griezējasmens

⚠UZMANĪBU: Darbā ar griezējasmēni vienmēr izmantojiet cimdus un asmenim uzlieciet asmens pārsegu.

⚠UZMANĪBU: Griezējasmēnim jābūt slīpētam un bez plaisām vai pīsumiem. Ja darba laikā ar griezējasmēni trāpāt akmenim, nekavējoties apstādieliet darbarīku un pārbaudiet asmeni.

⚠UZMANĪBU: Vienmēr izmantojiet griezējasmēni ar tādu diametru, kāds norādīts tehnisko datu sadaļā.

► **Att.20:** 1. Uzgrieznis 2. Vāciņš 3. Piespiedējlīve 4. Griezējasmens 5. Vārpsta 6. Sargs 7. Vārpstas bloķēšanas poga

1. Uzlieciet griezējasmēni uz sarga tā, lai griezējasmens un aizsarga bultiņas būtu vērstas vienā virzienā.

► **Att.21:** 1. Bultiņa

2. Uzlieciet spaiļes starpliku un vāciņu uz griezējasmēņa.

3. Turiet nospiestu vārpstas bloķēšanas pogu un cieši pievelciet uzgriezni, izmantojot galatslēgu.

► **Att.22:** 1. Vārpstas bloķēšanas poga 2. Galatslēga 3. Atskrūvēt vaļņgāk 4. Pievilkt

Lai noņemtu griezējasmēni, turiet nospiestu vārpstas bloķēšanas pogu un atskrūvējiet uzgriezni.

Neilona griezējgalva

IEVĒRĪBAI: Izmantojiet oriģinālu Makita neilona griezējgalvu.

Turot nospiestu vārpstas bloķēšanas pogu, uzlieciet neilona griezējgalvu uz vārpstas un ar roku pievelciet to.

► **Att.23:** 1. Neilona griezējgalva 2. Vārpsta 3. Vārpstas bloķēšanas poga 4. Atskrūvēt vaļņgāk 5. Pievilkt

Lai noņemtu neilona griezējgalvu, turiet nospiestu vārpstas bloķēšanas pogu un atskrūvējiet neilona griezējgalvu.

Plastmasas asmens

IEVĒRĪBAI: Izmantojiet oriģinālo Makita plastmasas asmeni.

Turot nospiestu vārpstas bloķēšanas pogu, uzlieciet plastmasas asmeni uz vārpstas un ar roku pievelciet to.

► **Att.24:** 1. Plastmasas asmens 2. Vārpsta 3. Vārpstas bloķēšanas poga 4. Atskrūvēt vaļņgāk 5. Pievilkt

Lai noņemtu plastmasas asmeni, turiet nospiestu vārpstas bloķēšanas pogu un atskrūvējiet plastmasas asmeni.

PIEZĪME: Griešanas instrumenta uzlikšanai/noņemšanai varat izmantot komplektācijā iekļauto sešstūru atslēgu. Lai nobloķētu vārpstu, ievietojiet sešstūru atslēgu atverē, kā parādīts attēlā.

► **Att.25:** 1. Sešstūru atslēga 2. Atvere

⚠UZMANĪBU: Griešanas instrumenta uzlikšanai/noņemšanai vienmēr izmantojiet komplektā iekļautās atslēgas.

⚠UZMANĪBU: Pēc griešanas instrumenta uzstādīšanas neaizmirstiet no darbarīka galvas izņemt sešstūru atslēgu.

Roktura/cilpas pozīcijas regulēšana

Noregulējiet rokturi un cilpas pozīciju, lai ar darbarīku būtu ērti apieties.

Tikai modeļiem DUR190U un DUR191U

Noregulējiet rokturu un cilpas pozīciju tā, lai darbarīks atrastos tālāk parādītajā lietošanas pozīcijas diapazonā.

► **Att.26**

1	Cilpas augstums virs zemes
2	Griešanas instrumenta augstums virs zemes
3	Horizontālais attālums starp cilpu un griešanas instrumenta neaizsargāto daļu

Atskrūvējiet vaļņgāk sešstūru galviņas padziļinājuma bultskrūves roktura balsta apakšpusē. Rokturi novietojiet ērtā darba stāvoklī un pievelciet skrūves.

► **Att.27:** 1. Roktura balsts 2. Sešstūru galviņas padziļinājuma bultskrūve 3. Rokturis

Atskrūvējiet vaļņgāk cilpas sešstūru galviņas padziļinājuma bultskrūves. Cilpu novietojiet ērtā darba stāvoklī un pēc tam pievelciet skrūves.

► **Att.28:** 1. Sešstūru galviņas padziļinājuma bultskrūve 2. Cilpa

Tikai modeļiem DUR190L un DUR191L

Atskrūvējiet vaļņgāk sešstūru galviņas padziļinājuma bultskrūves uz roktura. Rokturi novietojiet ērtā darba stāvoklī un pievelciet skrūves.

► **Att.29:** 1. Sešstūru galviņas padziļinājuma bultskrūve 2. Rokturis

Atskrūvējiet vaļņgāk sešstūru galviņas padziļinājuma bultskrūvi uz cilpas. Cilpu novietojiet ērtā darba stāvoklī un pēc tam pievelciet skrūvi.

► **Att.30:** 1. Sešstūru galviņas padziļinājuma bultskrūve 2. Cilpa

Sešstūru uzgriežņu atslēgas uzglabāšana

Kad sešstūru uzgriežņatslēgu nelietojat, glabājiet to, kā parādīts, lai atslēgu nepazaudētu.

► **Att.31:** 1. Sešstūru uzgriežņu atslēga

Tikai modeļiem DUR190L un DUR191L

► **Att.32:** 1. Rokturis 2. Sešstūru uzgriežņatslēga

EKSPLUATĀCIJA

Pleca siksnas piestiprināšana

▲UZMANĪBU: Vienmēr piestipriniet plecu siksnu pie darbarīka. Pirms darbarīka lietošanas plecu siksnā jāpiemēro lietotāja augumam, lai mazinātu nogurumu.

▲UZMANĪBU: Pirms darba sākšanas pārbaudiet, vai plecu siksnā ir pareizi piestiprināta pie darbarīka āķa.

Plecu siksnas āķi pievienojiet pie cilpas un uzlieciet plecu siksnu. Pārliecinieties, ka darbarīks plecu siksnā turas droši.

DUR190U un DUR191U
► Att.33: 1. Āķis 2. Cilpa

DUR190L un DUR191L
► Att.34: 1. Āķis 2. Cilpa

Atvienošana

Plecu siksnu var ātri atbrīvot.

DUR190U un DUR191U
► Att.35: 1. Strēmele

Izvelciet strēmeli, atbrīvojiet darbarīku no plecu siksnas.

DUR190L un DUR191L
► Att.36: 1. Sprādzē

Vienkārši saspiediet sprādzē sānu daļas, lai darbarīku atbrīvotu no plecu siksnas.

Pareiza apiešanās ar darbarīku

▲BRĪDINĀJUMS: Darbarīku vienmēr novietojiet labajā pusē. Darbarīka pareizs novietojums nodrošina maksimālu vadību un samazina atsitiena radītu smagu traumu bīstamību.

▲BRĪDINĀJUMS: Vienmēr īpaši sekojiet, lai nodrošinātu darbarīka vadību. Neļaujiet darbarīkam atlēkt savā vai citu cilvēku virzienā darba vietas tuvumā. Ja zaudē kontroli pār darbarīku, smagas traumas var gūt gan operators, gan cilvēki tuvumā.

▲BRĪDINĀJUMS: Lai izvairītos no negadījumiem, ieturiet vairāk nekā 15 m (50 pēdu) attālumu starp operatoriem, kad vienā teritorijā strādā divi vai vairāk operatori. Norīkojiet arī atbildīgo personu par attālumu ieturēšanu starp operatoriem. Ja teritorijā iekļūst cilvēks vai dzīvnieks, nekavējoties pārtrauciet darbu.

▲UZMANĪBU: Ja ekspluatācijas laikā griešanas instruments nejauši atsitas pret akmeni vai cietu priekšmetu, apturiet darbarīku un pārbaudiet, vai tam nav bojājumu. Ja griešanas instruments ir bojāts, tas nekavējoties jānomaina. Izmantojot bojātu griešanas instrumentu, var gūt smagas traumas.

▲UZMANĪBU: Kad pļaujāt zāli, noņemiet asmens pārsegu no griezējasmens.

Pareiza turēšana un apiešanās ar ierīci uzlabo kontroli un ļauj mazināt traumu risku no atsitieniem.

DUR190U un DUR191U
► Att.37

DUR190L un DUR191L
► Att.38

Izmantojot neilona griezējgalvu (aukļas padeve ar piesietu)

Neilona griezējgalva ir divu aukļu apgriezējmašīnas galva, kas aprīkota ar piesietiena padeves mehānismu. Lai izbīdītu neilona auklu, griezējgalvu piesietiet pie zemes, galvai griežoties.

► Att.39: 1. Efektīvākā griešanas zona

IEVĒRĪBAI: Padeve ar piesietanu nedarbosies pareizi, ja neilona griezējgalva negriežas.

PIEZĪME: Ja pēc piesietiena neilona aukla nepagarinās, atīniet/nomainiet neilona auklu, izpildot sadaļā "Apkope" norādītās darbības.

APKOPE

▲BRĪDINĀJUMS: Pirms darbarīka pārbaudes vai apkopes vienmēr pārbaudiet, vai tas ir izslēgts un akumulatora kasetne izņemta. Ja darbarīku neizslēdz un neizņem akumulatora kasetni, tad nejaušas ieslēgšanas gadījumā kādu var smagi traumēt.

IEVĒRĪBAI: Nekad neizmantojiet gazoļīnu, benzīnu, atšķaidītāju, spirtu vai līdzīgus šķidrumus. Tas var radīt izbalēšanu, deformāciju vai plaisas.

Lai saglabātu izstrādājuma DROŠU un UZTICAMU darbību, remontdarbus, apkopi un regulēšanu uzticiet veikt tikai Makita pilnvarotam vai rūpnīcas apkopes centram, un vienmēr izmantojiet tikai Makita rezerves daļas.

Neilona auklas maiņa

▲BRĪDINĀJUMS: Izmantojiet neilona auklu, kuras diametrs atbilst šajā instrukciju rokasgrāmatā norādītajam. Nekādā gadījumā nelietojiet smagāku auklu, metāla stiepli, parastu auklu vai tam līdzīgu piederumu. Tā var tikt bojāts darbarīks un rasties smagas traumas.

▲BRĪDINĀJUMS: Kad maināt neilona auklu, vienmēr noņemiet neilona griezējgalvu no darbarīka.

▲BRĪDINĀJUMS: Pārbaudiet, vai neilona griezējgalvas vāks korpusam piestiprināts pareizi, kā norādīts šajā rokasgrāmatā. Ja vāks nav pareizi piestiprināts, neilona griezējgalva var sadalīties, radot smagus ievainojumus.

Ja neilona auklu vairs nevar pagarināt, nomainiet to. Neilona auklas maiņas veids atkarīgs no neilona griezējgalvas veida.

95-M10L
► Att.40

Plastmasas asmens nomaiņa

Nomainiet plastmasas asmeni, ja tas ir nodilis vai bojāts.

► Att.41

Uzstādot plastmasas asmeni, pēc virziena savietojiet bultiņas, kas redzamas uz asmens un uz aizsargierīces.

► Att.42: 1. Bultiņa uz aizsargierīces 2. Bultiņa uz asmens

PROBLĒMU NOVĒRŠANA

Pirms nodošanas remontā vispirms veiciet pārbaudi pats. Ja konstatējat kļūmi, kas nav aprakstīta rokasgrāmatā, nemēģiniet darbarīku izjaukt. Dodieties uz Makita pilnvarotu apkopes centru un remontam vienmēr izmantojiet tikai Makita rezerves daļas.

Neatbilstošas darbības stāvoklis	Iespējamais iemesls (kļūme)	Risinājums
Motors nedarbojas.	Nav ievietota akumulatora kasetne.	Ievietojiet akumulatora kasetni.
	Akumulatora kļūme (zems spriegums)	Uzlādējiet akumulatoru. Ja uzlāde neizdodas, nomainiet akumulatoru.
	Piedziņas sistēma nedarbojas pareizi.	Dodieties to remontēt vietējā pilnvarotā apkopes centrā.
Motors izslēdzas pēc neilgas darbināšanas.	Akumulatora uzlādes līmenis ir par zemu.	Uzlādējiet akumulatoru. Ja uzlāde neizdodas, nomainiet akumulatoru.
	Darbarīks pārkaris.	Apturiet darbarīku, lai tas atdzistu.
Darbarīks nesasniedz maksimālo apgriezumu skaitu minūtē.	Nepareizi ievietota akumulatora kasetne.	Uzstādiet akumulatora kasetni, kā aprakstīts šajā rokasgrāmatā.
	Samazinās akumulatora jauda.	Uzlādējiet akumulatoru. Ja uzlāde neizdodas, nomainiet akumulatoru.
	Piedziņas sistēma nedarbojas pareizi.	Dodieties to remontēt vietējā pilnvarotā apkopes centrā.
Griešanas instruments negriežas: ⇒ nekavējoties apturiet mašīnu!	Starp aizsargu un griešanas instrumentu iestrēdzis svešķermenis, piemēram, zars.	Izņemiet svešķermeni.
	Piedziņas sistēma nedarbojas pareizi.	Dodieties to remontēt vietējā pilnvarotā apkopes centrā.
Pārmērīga vibrācija: ⇒ nekavējoties apturiet mašīnu!	Bojāts viens auklas gals.	Rotējošo neilona griešanas galvu piesitiet zemei, lai izbīdītu auklu.
	Piedziņas sistēma nedarbojas pareizi.	Dodieties to remontēt vietējā pilnvarotā apkopes centrā.
Nevar apturēt griešanas instrumentu un motoru: ⇒ nekavējoties izņemiet akumulatoru!	Elektriska vai elektroniska kļūme.	Izņemiet akumulatoru un sazinieties ar vietējo pilnvaroto apkopes centru, lai vienotos par remontu.

PAPILDU PIEDERUMI

▲ BRĪDINĀJUMS: Izmantojiet tikai šajā rokasgrāmatā norādīto papildaprīkojumu un piederumus. Jebkura cita papildaprīkojuma vai piederuma izmantošana vai izraisīt nopietnus savainojumus.

▲ UZMANĪBU: Šādi piederumi un papildierīces tiek ieteiktas lietošanai ar šajā rokasgrāmatā aprakstīto Makita darbarīku. Izmantojot citus piederumus vai papildierīces, var tikt radīta trauma gūšanas bīstamība. Piederumu vai papildierīci izmantojiet tikai paredzētajam mērķim.

- Neilona aukla (griešanas aukla)
- Plastmasas asmens
- Makita oriģinālais akumulators un lādētājs

PIEZĪME: Daži sarakstā norādītie izstrādājumi var būt iekļauti instrumenta komplektācijā kā standarta piederumi. Tie dažādās valstīs var būt atšķirīgi.

Ja jums vajadzīga palīdzība vai precīzāka informācija par šiem piederumiem, vērsieties savā tuvākajā Makita apkopes centrā.

- Griezējasmens
- Neilona griezējgalva

SPECIFIKACIJOS

Modelis:	DUR190U	DUR190L	DUR191U	DUR191L
Rankenos tipas	Dviracio rankena	Kilpinė rankena	Dviracio rankena	Kilpinė rankena
Be apkrovos	3: 6 000 min ⁻¹ 2: 5 100 min ⁻¹ 1: 3 500 min ⁻¹			
Bendrasis ilgis (be pjovimo įrankio)	1 775 mm			
Nailoninės vielos skersmuo	2,0–2,4 mm			
Taikomas pjovimo įrankis ir pjovimo skersmuo	3 dantų peilis (dalis Nr. 191J34-5)	230 mm		
	4 dantų peilis (dalis Nr. 729025-2)	230 mm		
	Nailoninė pjovimo galvutė (dalis Nr. 126674-0)	300 mm		
	Plastikinis peilis (dalis Nr. 126642-3)	230 mm		
Vardinė įtampa	Nuol. sr. 18 V			
Grynas svoris	3,1 - 3,4 kg	2,9 - 3,2 kg	3,4 - 3,7 kg	3,2 - 3,5 kg

- Atliekame tęstinius tyrimus ir nuolatos tobuliname savo gaminius, todėl čia pateiktamos specifikacijos gali būti keičiamos be įspėjimo.
- Skirtingose šalyse specifikacijos gali skirtis.
- Svoris gali priklausyti nuo priedo (-ų), įskaitant akumulatoriaus kasetę. Lengviausias ir sunkiausias deriniai pagal EPTA 2014 m. sausio mėn. procedūrą yra parodyti lentelėje.

Tinkama akumulatoriaus kasetė ir (arba) įkroviklis

Akumulatoriaus kasetė	BL1815N / BL1820 / BL1820B / BL1830 / BL1830B / BL1840 / BL1840B / BL1850 / BL1850B / BL1860B
Įkroviklis	DC18RC / DC18RD / DC18RE / DC18SD / DC18SE / DC18SF / DC18SH

- Atsižvelgiant į gyvenamosios vietos regioną, kai kurios pirmiau nurodytos akumulatoriaus kasetės ir įkrovikliai gali būti neprieinami.

⚠️ JSPĖJIMAS: Naudokite tik akumulatoriaus kasetes ir įkroviklius, kurie nurodyti anksčiau. Naudojant bet kurias kitas akumulatoriaus kasetes ir įkroviklius, gali kilti sužeidimo ir gaisro pavojus.

Rekomenduojamas akumuliatorių adapteris

Akumuliatorių adapteris	PDC01
-------------------------	-------

- Atsižvelgiant į gyvenamosios vietos regioną, pirmiau nurodytas (-i) akumulatoriaus adapteris (-iai) gali būti neprieinamas (-i).
- Prieš pradėdami naudoti akumulatoriaus adapterį, perskaitykite instrukciją ir įspėjamąsias pastabas apie akumulatoriaus adapterį.

Triukšmas

Modelis DUR190U

Pjovimo įrankis	Garso slėgio lygis (L _{PA}) dB(A)		Garso galios lygis (L _{WA}) dB(A)		Taikomas standartas
	L _{PA} dB (A)	Paklaida (K) dB(A)	L _{WA} dB (A)	Paklaida (K) dB(A)	
4 dantų peilis	77,0	3,9	91,6	2,4	ISO22868 (ISO11806-1)
Nailoninė pjovimo galvutė	74,0	1,9	87,1	0,9	ISO22868 (ISO11806-1)/ EN50636-2-91
Plastikinis peilis	75,6	1,3	85,9	2,1	ISO22868 (ISO11806-1)/ EN50636-2-91

Modelis DUR190L

Pjovimo įrankis	Garso slėgio lygis (L_{pA}) dB(A)		Garso galios lygis (L_{WA}) dB(A)		Taikomas standartas
	L_{pA} dB (A)	Paklaida (K) dB(A)	L_{WA} dB (A)	Paklaida (K) dB(A)	
4 dantų peilis	77,0	3,9	91,6	2,4	ISO22868 (ISO11806-1)
Nailoninė pjovimo galvutė	74,0	1,9	87,1	0,9	ISO22868 (ISO11806-1)/ EN50636-2-91
Plastikinis peilis	75,6	1,3	85,9	2,1	ISO22868 (ISO11806-1)/ EN50636-2-91

Modelis DUR191U

Pjovimo įrankis	Garso slėgio lygis (L_{pA}) dB(A)		Garso galios lygis (L_{WA}) dB(A)		Taikomas standartas
	L_{pA} dB (A)	Paklaida (K) dB(A)	L_{WA} dB (A)	Paklaida (K) dB(A)	
4 dantų peilis	77,0	3,9	91,6	2,4	ISO22868 (ISO11806-1)
Nailoninė pjovimo galvutė	74,0	1,9	87,1	0,9	ISO22868 (ISO11806-1)/ EN50636-2-91
Plastikinis peilis	75,6	1,3	85,9	2,1	ISO22868 (ISO11806-1)/ EN50636-2-91

Modelis DUR191L

Pjovimo įrankis	Garso slėgio lygis (L_{pA}) dB(A)		Garso galios lygis (L_{WA}) dB(A)		Taikomas standartas
	L_{pA} dB (A)	Paklaida (K) dB(A)	L_{WA} dB (A)	Paklaida (K) dB(A)	
4 dantų peilis	77,0	3,9	91,6	2,4	ISO22868 (ISO11806-1)
Nailoninė pjovimo galvutė	74,0	1,9	87,1	0,9	ISO22868 (ISO11806-1)/ EN50636-2-91
Plastikinis peilis	75,6	1,3	85,9	2,1	ISO22868 (ISO11806-1)/ EN50636-2-91

- Net jei pirmiau nurodytas garso slėgio lygis yra 80 dB (A) ar mažesnis, darbo metu lygis gali viršyti 80 dB (A). Dėvėkite ausų apsaugą.

PASTABA: Paskelbta (-os) triukšmo reikšmė (-ės) nustatyta (-os) pagal standartinį testavimo metodą ir jį galima naudoti vienam įrankiui palyginti su kitu.

PASTABA: Paskelbta (-os) triukšmo reikšmė (-ės) taip pat gali būti naudojama (-os) norint preliminariai įvertinti triukšmo poveikį.

⚠ JSPĖJIMAS: Dėvėkite ausų apsaugą.

⚠ JSPĖJIMAS: Faktiškai naudojant elektrinį įrankį, keliamo triukšmo dydis gali skirtis nuo paskelbtos (-ų) reikšmės (-ių), priklausomai nuo būdų, kuriais yra naudojamas šis įrankis, ir ypač nuo to, kokio tipo ruošinys apdirbamas.

⚠ JSPĖJIMAS: Siekdami apsaugoti operatorių, būtinai įvertinkite saugos priemones, remdamiesi vibracijos poveikio įvertinimu esant faktinėms naudojimo sąlygoms (atsižvelgdami į visas darbo ciklo dalis, pavyzdžiui, ne tik kiek laiko įrankis veikia, bet ir kiek kartų jis yra išjungiamas bei kai jis veikia be apkrovų).

Vibracija

Modelis DUR190U

Pjovimo įrankis	Kairė ranka		Dešinė ranka		Taikomas standartas
	$a_{h,w}$ (m/s ²)	Paklaida K (m/s ²)	$a_{h,w}$ (m/s ²)	Paklaida K (m/s ²)	
4 dantų peilis	≤ 2,5	1,5	≤ 2,5	1,5	ISO22867 (ISO11806-1)
Nailoninė pjovimo galvutė	≤ 2,5	1,5	≤ 2,5	1,5	ISO22867 (ISO11806-1)
Plastikinis peilis	≤ 2,5	1,5	≤ 2,5	1,5	ISO22867 (ISO11806-1)

Modelis DUR190L

Pjovimo įrankis	Kairė ranka		Dešinė ranka		Taikomas standartas
	$a_{h,w}$ (m/s ²)	Paklaida K (m/s ²)	$a_{h,w}$ (m/s ²)	Paklaida K (m/s ²)	
4 dantų peilis	≤ 2,5	1,5	≤ 2,5	1,5	ISO22867 (ISO11806-1)
Nailoninė pjovimo galvutė	≤ 2,5	1,5	≤ 2,5	1,5	ISO22867 (ISO11806-1)
Plastikinis peilis	≤ 2,5	1,5	≤ 2,5	1,5	ISO22867 (ISO11806-1)

Modelis DUR191U

Pjovimo įrankis	Kairė ranka		Dešinė ranka		Taikomas standartas
	$a_{h,w}$ (m/s ²)	Paklaida K (m/s ²)	$a_{h,w}$ (m/s ²)	Paklaida K (m/s ²)	
4 dantų peilis	≤ 2,5	1,5	≤ 2,5	1,5	ISO22867 (ISO11806-1)
Nailoninė pjovimo galvutė	≤ 2,5	1,5	≤ 2,5	1,5	ISO22867 (ISO11806-1)
Plastikinis peilis	≤ 2,5	1,5	≤ 2,5	1,5	ISO22867 (ISO11806-1)

Modelis DUR191L

Pjovimo įrankis	Kairė ranka		Dešinė ranka		Taikomas standartas
	$a_{h,w}$ (m/s ²)	Paklaida K (m/s ²)	$a_{h,w}$ (m/s ²)	Paklaida K (m/s ²)	
4 dantų peilis	≤ 2,5	1,5	≤ 2,5	1,5	ISO22867 (ISO11806-1)
Nailoninė pjovimo galvutė	≤ 2,5	1,5	≤ 2,5	1,5	ISO22867 (ISO11806-1)
Plastikinis peilis	≤ 2,5	1,5	≤ 2,5	1,5	ISO22867 (ISO11806-1)

PASTABA: Paskelbta (-os) vibracijos bendroji (-osios) reikšmė (-ės) nustatyta (-os) pagal standartinį testavimo metodą ir ji galima naudoti vienam įrankiui palyginti su kitu.

PASTABA: Paskelbta (-os) vibracijos bendroji (-osios) reikšmė (-ės) taip pat gali būti naudojama (-os) norint preliminariai įvertinti vibracijos poveikį.

⚠️ JSPĖJIMAS: Faktiškai naudojant elektrinį įrankį, keliamos vibracijos dydis gali skirtis nuo paskelbtos (-ų) reikšmės (-ių), priklausomai nuo būdu, kuriais yra naudojamas šis įrankis, ir ypač nuo to, kokio tipo ruošinys apdirbamas.

⚠️ JSPĖJIMAS: Siekdami apsaugoti operatorių, būtina įvertinkite saugos priemones, remdamiesi vibracijos poveikio įvertinimu esant faktinėms naudojimo sąlygoms (atsižvelgdami į visas darbo ciklo dalis, pavyzdžiui, ne tik kiek laiko įrankis veikia, bet ir kiek kartų jis yra išjungiamas bei kai jis veikia be apkravų).

Simboliai

Toliau yra nurodyti įrangai naudojami simboliai. Prieš naudodami įsitikinkite, ar suprantate jų reikšmę.



Būkite itin atsargūs ir dėmesingi.



Perskaitykite instrukcijų vadovą.



Atstumas turi būti bent 15 m.



Pavojus; saugokitės skriejančių objektų.



Perspėjimas; ataranka



Naudokite šalmą, apsauginius akinius ir klausos apsaugines priemones.



Užsidėkite apsaugines pirštines.



Avėkite tvirtus batus neslidžiais padais. Rekomenduojama avėti batus su plieno apsaugomis kojų pirštams.



Saugokite nuo drėgmės.



Ni-MH
Li-ion

Nurodymas tik ES šalims
Neišmeskite elektros įrangos arba akumulatoriaus bloko į buitinius šiukšlynus! Atsižvelgiant į ES direktyvas dėl elektros ir elektroninės įrangos atliekų, dėl baterijų ir akumuliatorių bei baterijų ir akumuliatorių atliekų ir šių direktyvų siekių įgyvendinimą pagal nacionalinius įstatymus, elektros įrangos ir baterijų bei akumuliatorių atliekas būtina surinkti atskirai nuo kitų buitinių atliekų ir atiduoti į antrinių žaliavų perdirbimo aplinkai nekenksmingu būdu punktą.

EB atitikties deklaracija

Tik Europos šalims

EB atitikties deklaracija yra pridėdama kaip šio instrukcijų vadovo A priedas.

SAUGOS ĮSPĖJIMAI

Bendrieji įspėjimai dirbant elektriniais įrankiais

ĮSPĖJIMAS: Perskaitykite visus saugos įspėjimus, instrukcijas, iliustracijas ir techninius duomenis, pateiktus kartu su šiuo elektriniu įrankiu. Nesilaikant visų toliau išvardytų instrukcijų galima patirti elektros smūgį, gali kilti gaisras ir (arba) galima sunkiai susižaloti.

Išsaugokite visus įspėjimus ir instrukcijas, kad galėtumėte jas peržiūrėti ateityje.

Terminas „elektrinis įrankis“ pateiktuose įspėjimuose reiškia į maitinimo tinklą jungiamą (laidinį) elektrinį įrankį arba akumulatoriaus maitinamą (belaidį) elektrinį įrankį.

Svarbios saugumo instrukcijos dėl įrankio

ĮSPĖJIMAS: Perskaitykite visus saugos įspėjimus ir visą instrukciją. Nesilaikydami toliau pateiktų įspėjimų ir instrukcijų, galite patirti elektros smūgį, sukelti gaisrą ir (arba) sunkiai susižaloti.

Išsaugokite visus įspėjimus ir instrukcijas, kad galėtumėte jas peržiūrėti ateityje.

Numatytoji naudojimo paskirtis

- Šis įrankis skirtas tik žolei, piktžolėms, krūmams ir atžalynams pjauti. Jis nėra skirtas jokiems kitiems tikslams, pavyzdžiui, dekoratyviniams augalams ar gyvatvorėms karpyti, nes galima susižeisti.

Bendrieji nurodymai

- Niekada neleiskite, kad šį įrankį naudotų žmonės, kurie nėra perskaitę šios instrukcijos, žmonės (įskaitant vaikus) su fizine, jutimine ar psichine negalia arba stokojantys patirties ir žinių, kaip naudoti šį įrankį. Prižiūrėkite vaikus, kad jie nežaistų su įrankiu.
- Prieš įjungdami įrankį, perskaitykite šią naudojimo instrukciją, kad susipažintumėte su įrankio naudojimu.
- Neskolinkite įrankio žmogui, kuris neturi pakankamos darbo su krūmapjovėmis ir vielinėmis žoliapjovėmis patirties arba žinių.
- Skolindami įrankį, visada pridėkite šią naudojimo instrukciją.
- Naudodami įrankį, būkite labai atsargūs ir atidūs.
- Niekada nenaudokite įrankio, jeigu esate apsvaigę nuo alkoholio ar narkotikų arba jeigu jaučiatės pavargę ar sergate.
- Jokių būdu nemėginkite keisti įrankio konstrukcijos.
- Laikykites jūsų šalyje galiojančių teisės aktų dėl krūmapjovių ir vielinių žoliapjovių naudojimo.

Asmeninės apsaugos priemonės

► Pav.1

- Užsidėkite saugos šalmą, apsauginius akinius ir apsaugines pirštines, kad apsisaugotumėte nuo skrendančių nuolaužų arba krentančių daiktų.
- Užsidėkite ausų apsaugas, pvz., ausines, apsaugančias klausą.
- Dėvėkite tinkamus drabužius ir avėkite saugiam darbui pritaikytą avalynę, pvz., kombinezoną ir tvirtus, neslystančius batus. Nedėvėkite laisvų drabužių arba laisvai kabančių papuošalų. Judančios dalys gali įtraukti laisvus drabužius, papuošalus arba ilgus plaukus.
- Liesdami pjovimo peilį mūvėkite apsaugines pirštines. Pjovimo peiliai gali stipriai įpjauti neapsaugotas rankų vietas.

Darbo vietos sauga

1. Naudokite įrankį tik esant geram matomumui ir tik dieną. Nenaudokite įrankio tamsoje arba esant rūkui.
2. Įrankio nenaudokite sprogioje aplinkoje, pavyzdžiui, ten, kur yra degių skysčių, dujų arba dulkių. Įrankis kelia žiežirbas, kurios gali uždegti dulkes arba degius garus.
3. Darbo metu niekada nestovėkite ant nestabilius ar slidaus paviršiaus arba ant staus šlaito. Šaltuoju metų laiku saugokitės ledo ir sniego bei visada užtikrinkite saugią kojų atramą.
4. Darbo metu aplinkiniai asmenys arba gyvūnai turi būti ne mažesniu kaip 15 m atstumu iki įrankio. Kam nors artėjant išjunkite įrankį.
5. Niekumet nenaudokite įrankio, jei netoliese yra žmonės, ypač vaikų ar naminių gyvūnų.
6. Prieš darbą apžiūrėkite darbo zoną, ar joje nėra akmenų ar kitų kietų objektų. Jie gali būti išsviesti arba sukelti pavojingą atatrąnką ir sunkiai sužaloti ir (arba) sugadinti turta.
7. **⚠️ĮSPĖJIMAS:** Naudojantis šiuo gaminiu gali susidaryti dulkės, kurių sudėtyje yra cheminių medžiagų, galinčių sukelti kvėpavimo takų ar kitas ligas. Tarp šių cheminių medžiagų gali būti pesticiduose, insekticiduose, trąšose ir herbiciduose naudojamų mišinių. Kuo dažniau dirbate tokius darbus, tuo didesnis šių medžiagų keliamas pavojus. Norėdami sumažinti šių chemikalų poveikio galimybę, dirbkite gerai vėdinamoje patalpoje ir naudokite patvirtintas apsaugines priemones, pvz., kaukes, saugančias nuo dulkių ir specialiai sukurtas mikroskopinėms dalelėms sulaukyti.
3. Prieš įdėdami akumulatoriaus kasetę, patikrinkite, ar įrankis nesugadintas, ar nėra atsilaisvinsusių varžtų (veržlių) arba ar jis tinkamai surinktas. Pagalyskite atšipusius pjoviklio ašmenis. Jei pjoviklio ašmenys yra sulinkę arba sugadinti, juos pakeiskite. Patikrinkite, ar visos valdymo svirtys ir jungikliai veikia be sutrikimų. Nuvalykite ir išdžiovinkite rankenas.
4. Niekada nebandykite įjungti įrankio, jeigu jis yra sugadintas arba nevisiškai surinktas. Antraip galima sunkiai susižeisti.
5. Sureguliuokite perpetinį diržą ir rankeną, kad jie atitiktų naudotojo ūgį.
6. Įdėdami akumulatoriaus kasetę, laikykite pjovimo priedą toliau nuo kūno ir bet kokio kito objekto, įskaitant žemę. Įjungus, jis gali pradėti sukintis ir sužaloti arba sugadinti įrankį ir (arba) turta.
7. Prieš jungdami įrankį, pašalinkite visus reguliavimo raktus, veržliarakčius ar apsauginius ašmenų gaubtus. Palikę priedą ant besisukančios įrankio dalies rizikuojate susižeisti.
8. Pjovimo įrankis turi būti su apsauginiu gaubtu. Niekada nenaudokite šio įrankio, jei apgadinti arba nuimti jo apsauginiai gaubtai!
9. Įsitikinkite, kad nėra jokių elektros laidų, vandentiekio vamzdžių, dujų vamzdžių ir pan., kuriuos pažeidus įrankiu gali kilti pavojus.

Naudojimas

1. Esant avarinei situacijai nedelsdami išjunkite įrankį.
2. Jei darbo metu pajuntate neįprastą veikimą (pvz., triukšmą, vibraciją), išjunkite įrankį ir ištraukite akumulatoriaus kasetę. Nenaudokite įrankio, kol nenustatysite priežasties ir jos nepašalinsite.
3. Išjungus įrankį, pjovimo priedas dar kurį laiką sukasi. Neskubėkite liesti pjovimo priedo.
4. Dirbdami naudokite perpetinį diržą. Tvirtai laikykite įrankį dešinėje pusėje.
5. Nepersisverkite. Visuomet tvirtai stovėkite ant žemės, išlaikykite pusiausvyrą. Stebėkite, ar nėra paslėptų kliūčių, pvz., kelmų, šaknų ir griovių, kad nesukluptumėte.
6. Dirbdami nuokalnėse, visada tvirtai stovėkite ant žemės.
7. Vaikščiokite, o ne bėgiokite.
8. Niekada nedirbkite stovėdami ant kopėčių arba medyje, kad neprarastumėte kontrolės.
9. Jei įrankis patiria stiprų smūgį arba nukrenta, prieš dirbdami toliau, patikrinkite jo būklę. Patikrinkite, ar tinkamai veikia valdikliai ir saugos įtaisai. Jei yra pažeidimas arba techninė abejonė, kreipkitės į mūsų įgaliojantį techninės priežiūros centrą dėl patikrinimo ir remonto.
10. Pailsėkite, kad dėl nuovargio neprarastumėte gebėjimo valdyti įrankio. Rekomenduojame kas valandą pailsėti 10–20 minučių.
11. Kai paliekate įrankį, net trumpam, visada išimkite akumulatoriaus kasetę. Be priežiūros paliktu įrankiu su įdėta akumulatoriaus kasete gali pasinaudoti neįgaliosios asmuo ir sukelti skaudų nelaimingą atsitikimą.
12. Jeigu tarp pjovimo priedo ir apsauginio gaubto įstrigtų žolės arba šakų, prieš jas šalindami, visada išjunkite įrankį ir išimkite akumulatoriaus kasetę. Antraip pjovimo priedas gali netikėtai pradėti sukintis ir sunkiai jus sužaloti.

Elektros ir akumulatoriaus sauga

1. Saugokite įrankį nuo lietaus ir nenaudokite jo esant drėgnoms oro sąlygoms. Į įrankį patekęs vanduo padidina elektros smūgio pavojų.
2. Sugedus jungikliui, elektros įrankiu naudotis negalima. Bet koks įrankis, kurio negalima valdyti jungikliu, kelia pavojų, jį būtina pataisyti.
3. Būkite atsargūs, kad netyčia neįjungtumėte įrankio. Prieš įdėdami akumulatorių, prieš paimdami ar nešdami įrankį, visuomet patikrinkite, ar išjungtas jo jungiklis. Nešant įrankį uždėjus pirštą ant jo jungiklio arba įjungiant įrankį į elektros tinklą, kai jo jungiklis yra įjungtas, gali įvykti nelaimingas atsitikimas.
4. Nemeskite akumulatoriaus (-ių) į ugnį. Akumulatoriaus elementas gali sprogti. Pasitikrinkite, ar vietiniai įstatymai nenurodo specialaus išmetimo būdo.
5. Neatidarykite ir neardykite akumulatoriaus (-ių). Ištekėjęs elektrolitas yra šėdinančioji medžiaga, kuri gali pažeisti akis ar odą. Nurytas jis gali apnuodyti.
6. Nenaudokite akumulatoriaus lyjant arba drėgnose vietose.

Paruošimas naudoti

1. Prieš montuodami arba bergiuodami įrankį, išimkite akumulatoriaus kasetę.
2. Prieš naudodami pjoviklio ašmenis, užsidėkite apsaugines pirštines.

13. Niekada nelieskite pavojų keliančių judančių dalių, kol jos visiškai nesustoję ir neišėmėte akumuliatoriaus kasetės.
14. Jei pjovimo priedas atsitrenkų į akmenį ar kokį nors kitą kietą daiktą, tuoj pat išjunkite įrankį. Tada išimkite akumuliatoriaus kasetę ir patikrinkite pjovimo priedą.
15. Dirbdami dažnai tikrinkite, ar pjovimo priedas neištrūkęs arba nepažeistas. Prieš tikrindami, išimkite akumuliatoriaus kasetę ir palaukite, kol pjovimo priedas visiškai sustos. Nedelsdami pakeiskite pažeistą pjovimo priedą, net ir tuomet, jeigu jame yra tik nežymių įtrūkimų.
16. Niekada nepjaukite aukščiau savo juosmens.
17. Įjungę įrankį, prieš pradėdami pjauti, palaukite, kol pjovimo priedo greitis taps stabilus.
18. Jeigu naudojate pjovimo ašmenis, mojuokite įrankiu pusrakiais iš dešinės į kairę, lyg pjautumėte žolę dalgiu.
19. Laikykite įrankį tik už izoliuotų, suimti skirtų paviršių, nes pjoviklio ašmenys gali kliudyti nematomą laidą. Pjoviklio ašmenims prisilietus prie laido, kuriuo teka srovė, neizoliuotos metalinės įrankio dalys gali sukelti elektros smūgį ir nutrenkti naudotoją.
20. Nepaleiskite įrankio, kai pjovimo įrankis įsipainiojęs į nupjautą žolę.
21. Prieš paleisdami pjovimo įrankį įsitikinkite, kad jis neličia žemės paviršiaus ir kitų kliūčių, tokių kaip medis.
22. Dirbdami visuomet tvirtai laikykite įrankį abiem rankomis. Naudojami įrankį, niekuomet nevaldykite jo viena ranka.
23. Nenaudokite įrankio, kai prastas oras arba yra žaibavimo pavojus.

Pjovimo įrankiai

1. Nenaudokite pjovimo įrankio, kurio mes nerekomendavome.
2. Naudokite tik darbui tinkamą pjovimo priedą.
 - Nailoninės pjovimo galvutės (vielinių žolia-pjovių galvutės) ir plastikiniai peiliai tinka vejų žolei pjauti.
 - Pjovimo peiliai tinka piktžolėms, aukštai žolei, krūmams, krūmokšniams, krūmynams, atžalynams, sąžalynams ir pan. pjauti.
 - Niekada nenaudokite kitų peilių, įskaitant metalines, iš daug grandžių sudarytas besiskančias grandines ir spragilų tipo peilius. Antraip galima sunkiai susižeisti.
3. Naudokite tik pjovimo įrankį, ant kurio nurodytas sukimosi greitis prilygsta arba viršija ant įrankio nurodytą sukimosi greitį.
4. Visada rankas, veidą ir drabužius saugokite nuo besisukančio pjovimo įrankio. Kitaip galite susižeisti.
5. Visada tinkamai naudokite pjovimo priedo apsauginį gaubtą, pritaiktą naudojamam pjovimo priedui.
6. Naudojami pjovimo ašmenis, venkite atatranks ir višada būkite pasiruošę atsitiktinei atatranks. Žr. skyrių „Atatranka“.
7. Kai nenaudojate, pritvirtinkite ašmenų gaubtą prie ašmenų. Prieš darbą nuimkite gaubtą.

Atatranka (ašmenų sviedimas)

1. Atatranka (ašmenų sviedimas) – tai staigi reakcija į pjovimo ašmenų įstrigimą arba užkliuvimą. Įvykus atatranks, įrankis didele jėga sviedžiamas į šoną arba operatoriaus link ir gali sunkiai sužeisti.
2. Atatranka dažniausiai įvyksta tada, kai ašmenys kietas medžiagas, krūmus ir 3 cm arba didesnio skersmens medžius pjauna dalimi, atitinkančia laikrodžio ciferblato dalį tarp 12 ir 2 valandos.
 - Pav.2
3. Norėdami išvengti atatranks:
 1. pjaukite dalimi, atitinkančia laikrodžio ciferblato dalį nuo 8 iki 11 valandos.
 2. Niekada nepjaukite dalimi, atitinkančia laikrodžio ciferblato dalį nuo 12 iki 2 valandos.
 3. Niekada nepjaukite ta dalimi, kuri atitinka laikrodžio ciferblato dalį nuo 11 iki 12 valandos ir nuo 2 iki 5 valandos, nebent būtumėte kvalifikuoti bei patyrę operatoriai ir tai darytumėte savo pačių rizika.
 4. Niekada nenaudokite pjovimo ašmenų arti kietų medžiagų, pavyzdžiui, tvorų, sienų, medžių kamienų ir akmenų.
 5. Niekada nelaikykite pjovimo peilių vertikalčiai, atlikdami tokius darbus kaip gyvatvorių formavimas ir karpymas.
 - Pav.3

Vibracija

1. Per didelę vibraciją patiriantys žmonės, kurių prasta kraujų apytaka, gali susižeisti kraujagysles arba nervų sistemą. Dėl vibracijos pirštuose, rankose ar riešuose gali atsirasti tokių simptomų: „Nejautrumas“ (nutirpimas), dilgčiojimas, skausmas, dirimo pojūtis, odos spalvos ar odos pasikeitimas. Pajutę bet kurį iš šių požymių, kreipkitės į gydytoją!
2. Siekdami sumažinti pavojų susirgti „pirštų balimo liga“, dirbdami rankas laikykite šiltai ir tinkamai techniškai prižiūrėkite įrankį bei priedus.

Gabenimas

1. Prieš gabendami įrankį, išjunkite jį ir išimkite akumuliatoriaus kasetę. Uždėkite gaubtą ant pjovimo ašmenų.
2. Gabendami įrankį, padėkite jį horizontaliai, užblokuodami veleną.
3. Gabendami įrankį automobiliu, tinkamai jį pritvirtinkite, kad neapvirštų. Priešingu atveju gali būti sugadintas įrankis arba kitas bagažas.

Priežiūra

1. Įrankio techninė priežiūra privalo būti atliekama mūsų įgaliotuose techninės priežiūros centruose, visada naudojant tik originalias keičiamąsias dalis. Netinkamas remontas ir prasta techninė priežiūra gali sutrumpinti įrankio naudojimo laiką ir padidinti nelaimingų atsitikimų pavojų.
2. Prieš atlikdami bet kokius techninės priežiūros arba remonto darbus bei prieš valydami įrankį, visada jį išjunkite ir išimkite akumuliatoriaus kasetę.

3. Dirbdami su pjovimo ašmenimis visada mūvėkite apsaugines pirštines.
4. Visada nušluostykite nuo įrankio dulkes ir nešvarumus. Niekada to nedarykite naudodami gazoliną, benzina, tirpiklį, spirita arba panašias medžiagas. Gali išblukti spalva, deformuotis arba įtrūkti plastikinės dalys.
5. Po kiekvieno naudojimo priveržkite visus varžtus ir varžles.
6. Nebandykite atlikti jokių naudojimo instrukcijoje nenaurotų techninės priežiūros arba remonto darbu. Dėl šių darbu atlikimo kreipkitės į mūsų įgaliotąjį techninės priežiūros centrą.
7. Visada naudokite tik originalias mūsų atsargines dalis ir priedus. Naudojant trečiosios šalies tiekiamas dalis arba priedus įrankis gali sugesti, gali būti sugadintas turtas ir (arba) galima patirti sunkų sužalojimą.
8. Kreipkitės į mūsų įgaliotą techninės priežiūros centrą, kad jis reguliariai tikrintų įrankį ir atliktų jo techninę priežiūrą.
9. Visada palaikykite įrankį tinkamos darbu būklės. Dėl prastai atliekamos priežiūros gali pablogėti įrankio veikimas ir sutrumpėti jo naudojimo laikas.
5. Neužtrumpinkite akumulatoriaus kasetės:
 - (1) Nelieskite kontaktų degiomis medžiagomis.
 - (2) Venkite laikyti akumulatoriaus kasetę kartu su kitais metaliniais daiktais, pavyzdžiui, vinimis, monetomis ir pan.
 - (3) Saugokite akumulatoriaus kasetę nuo vandens ir lietaus.

Trumpasis jungimas akumulatoriuje gali sukelti stiprią srovę, perkaitimą, galimus nudegimus ar net akumulatoriaus gedimą.

6. Nelaikykite įrankio ir akumulatoriaus kasetės vietoje, kur temperatūra gali pasiekti ar viršyti 50 °C.
7. Nedeginkite akumulatoriaus kasetės, net jei yra stipriai pažeista ar visiškai susidėvėjusi. Ugnyje akumulatoriaus kasetė gali sprogti.
8. Saugokite akumulatorių nuo kritimo ir smūgių.
9. Nenaudokite pažeisto akumulatoriaus.
10. Įdėtos ličio jonų akumulatoriams taikomi Pavojingų prekių teisės akto reikalavimai. Komeracinis transportas, pvz., trečiųjų šalių, prekių vežimo atstovų, turi laikytis specialaus reikalavimo ant pakuočės ir ženklavimo. Norėdami paruošti siūstiną prekę, pasitarkite su pavojingų medžiagų specialistu. Be to, laikykitės galimai išsamesnių nacionalinių reglamentų. Užklijuokite juosta arba padenkite atvirus kontaktus ir supakuokite akumulatorių taip, kad ji pakuočėje nejudėtų.
11. Kai išmetate akumulatoriaus kasetę, išimkite ją iš įrankio ir išmeskite saugioje vietoje. Vadovaukitės vietos reglamentais dėl akumulatorių išmetimo.
12. Baterijas naudokite tik su „Makita“ nurodytais gaminiais. Baterijas įdėjus į netinkamus gaminius gali kilti gaisras, gaminyje pernelyg kaisti, kilti sprogimas arba pratekėti elektrolitas.
13. Jei įrankis bus ilgą laiką nenaudojamas, akumulatorių būtina išimti iš įrankio.

Sandėliavimas

1. Prieš sandėliuodami įrankį, atlikite visus jo valymo ir techninės priežiūros darbus. Ištraukite akumulatoriaus kasetę. Uždėkite gaubtą ant pjovimo ašmenų.
2. Laikykite įrankį sausoje ir aukštoje arba rakinamoje, vaikams neprieinamoje vietoje.
3. Neatremkite įrankio į ką nors, pvz., į sieną. Priešingu atveju jis gali staiga nukristi ir sužaloti.

Pirmoji pagalba

1. Visada laikykite pirmosios pagalbos reikmenų rinkinį netoliese. Jei panaudojote kokias nors pirmosios pagalbos priemones, tuoj pat papildykite rinkinį.
2. Kreipdamiesi pagalbos, pateikite šią informaciją:
 - nelaimingo atsitikimo vietą;
 - kas atsitiko;
 - sužeistųjų skaičių;
 - sužalojimo pobūdį;
 - savo vardą ir pavardę.

Svarbios saugos instrukcijos, taikomos akumulatoriaus kasetei

1. Prieš naudodami akumulatoriaus kasetę, perskaitykite visas instrukcijas ir perspėjimus ant (1) akumulatorių įkroviklio, (2) akumulatorių ir (3) akumulatorių naudojančio gaminio.
2. Neardykite akumulatoriaus kasetės.
3. Jei įrankio darbo laikas žymiai sutrumpėjo, nedelsdami nutraukite darbą su įrankiu. Tai gali kelti perkaitimo, nudegimų ar net sprogmio pavojų.
4. Jei elektrolitas pateko į akis, plaukite jas tyru vandeniu ir nedelsdami kreipkitės į gydytoją. Gali kilti regėjimo praradimo pavojus.

SAUGOKITE ŠIAS INSTRUKCIJAS.

▲PERSPĖJIMAS: Naudokite tik originalų „Makita“ akumulatorių. Neoriginalaus „Makita“ arba pakeisto akumulatoriaus naudojimas gali nulemti gaisrą, asmens sužalojimą ir pažeidimą. Tai taip pat panaikina „Makita“ suteikiamą „Makita“ įrankio ir įkroviklio garantiją.

Patarimai, ką daryti, kad akumulatorius veiktų kuo ilgiau

1. Pakraukite akumulatoriaus kasetę prieš jai visiškai išsikraunant. Visuomet nustokite naudoti įrankį ir pakraukite akumulatoriaus kasetę, kai pastebite, kad įrankio galia sumažėjo.
2. Niekada nekraukite iki galo įkrautos akumulatoriaus kasetės. Perkraunant trumpėja akumulatoriaus eksploatacijos laikas.
3. Akumulatoriaus kasetę kraukite esant kambario temperatūrai 10 - 40 °C. Prieš pradėdami krauti, leiskite įkaitusiai akumulatoriaus kasetei atvėsti.
4. Įkraukite akumulatoriaus kasetę, jei jos nenaudojate ilgą laiką (ilgiau nei šešis mėnesius).

DALIŲ APRAŠYMAS

► Pav.4

1	Greičio indikatorius	2	ADT indikatorius (ADT = automatinė sukimo momento perdavimo technologija)	3	Perspėjimo lemputė	4	Pagrindinis įjungimo mygtukas
5	Atbulinės eigos mygtukas	6	Akumuliatoriaus kasetė	7	Atlaisvinimo svirtis	8	Gaidukas
9	Kilpelė	10	Rankena	11	Užtvara (priklauso nuo šalies)	12	Apsauginis gaubtas
13	Fiksavimo svirtis (tik DUR191U ir DUR191L)	14	Sujungimo vietos gaubtelis (tik DUR191U ir DUR191L)	15	Dangtelis (tik DUR191U ir DUR191L)	16	Perpetinis diržas

VEIKIMO APRAŠYMAS

▲ JSPĖJIMAS: Prieš pradėdami reguliuoti arba tikrinti įrankio veikimą, visuomet būtinai išjunkite įrankį ir išimkite akumuliatoriaus kasetę. Neišjungus ir neišėmus akumuliatoriaus kasetės, netyčia įjungus įrankį, galima sunkiai susižeisti.

Akumuliatoriaus kasetės uždėjimas ir nuėmimas

▲ PERSPĖJIMAS: Prieš įdėdami arba išimdami akumuliatoriaus kasetę, visada išjunkite įrankį.

▲ PERSPĖJIMAS: Įdėdami arba išimdami akumuliatoriaus kasetę, tvirtai laikykite įrankį ir akumuliatoriaus kasetę. Jeigu įrankį ir akumuliatoriaus kasetę laikysite netvirtai, jie gali išslysti iš jūsų rankų, todėl įrankis ir akumuliatoriaus kasetė gali būti sugadinti, o naudotojas sužalotas.

► **Pav.5:** 1. Raudonas indikatorius 2. Mygtukas 3. Akumuliatoriaus kasetė

Jei norite išimti akumuliatoriaus kasetę, ištraukite ją iš įrankio, stumdami mygtuką, esantį kasetės priekyje.

Jei norite įdėti akumuliatoriaus kasetę, sulygiuokite liežuvelį ant akumuliatoriaus kasetės su grioveliu korpuse ir įstumkite į jai skirtą vietą. Įdėkite iki galo, kol spragtelėdama užsifiksuos. Jeigu matote raudoną indikatorių viršutinėje mygtuko pusėje, ji nėra visiškai užfiksuota.

▲ PERSPĖJIMAS: Akumuliatoriaus kasetę visada įkiškite iki galo, kol nebematysite raudono indikatoriaus. Priešingu atveju ji gali atsitiktinai iškristi iš įrankio, sužeisti jus arba aplinkinius.

▲ PERSPĖJIMAS: Nekiškite akumuliatoriaus kasetės jėga. Jeigu kasetė sunkiai lenda, ją kiškite netinkamai.

Įrankio / akumuliatoriaus apsaugos sistema

Įrankyje įrengta įrankio / akumuliatoriaus apsaugos sistema. Ši sistema automatiškai atjungia variklio maitinimą, kad įrankis ir akumuliatorius ilgiau veiktų. Įrankis automatiškai išsijungs darbo metu esant vienai iš toliau nurodytų sąlygų.

Perspėjimo lemputė			Būsena
Spalva	● Šviečia	○ Mirksi	
Raudona		○	Perkrova
Raudona	●		Perkaitimas
Raudona		○	Per didelis išsikrovimas

Apsauga nuo perkrovos

Jeigu įrankis patenka į vieną šių situacijų, jis automatiškai išsijungia, o perspėjimo lemputė pradeda mirksėti raudonai:

- Įrankis yra perkrautas dėl prikibusių piktžolių arba kitų nuolaužų.
- Pjovimo įrankis užsifiksavo arba atatrunkos buvo atmetas atgal.
- Pagrindinis maitinimo mygtukas yra įjungtas, kai spaudžiamas gaidukas.

Tokiu atveju atleiskite gaiduką ir pašalinkite prikibusias piktžoles ar nuolaužas (jei reikia). Tada paspauskite gaiduką dar kartą, kad galėtumėte tęsti.

▲ PERSPĖJIMAS: Jeigu reikia nuo įrankio pašalinti prikibusias piktžoles arba atlaisvinti užblokuotą pjovimo įrankį, prieš pradėdami darbą būtinai išjunkite įrankį.

Įrankio arba akumuliatoriaus apsauga nuo perkaitimo

Kai įrankis arba akumuliatoriaus kasetė perkaista, įrankis automatiškai išsijungia. Jeigu įrankis arba akumuliatoriaus kasetė perkaista, greičio indikatorius ir ADT indikatorius išsijungia ir įsijiebia raudona perspėjimo lemputė. Prieš vėl jungdami įrankį, leiskite įrankiui ir (arba) akumuliatoriui atvėsti.

Apsauga nuo visiško išsekimo

Žymiai sumažėjus akumuliatoriaus galiai, įrankis automatiškai išsijungia. Greičio indikatorius ir ADT indikatorius užgęsta, o perspėjimo lemputė pradeda mirksėti raudonai.

Jeigu įrankis neveikia net ir spaudžiant jungiklius, išimkite akumuliatoriaus kasetę iš įrankio ir įkraukite.

Likusios akumulatoriaus galios rodymas

Tik akumulatoriaus kasetėms su indikatoriumi

► **Pav.6:** 1. Indikatorijų lemputės 2. Tikrinimo mygtukas

Paspauskite akumulatoriaus kasetės tikrinimo mygtuką, kad būtų rodoma likusi akumulatoriaus energija. Maždaug trims sekundėms užsidegs indikatorijų lemputės.

Indikatorijų lemputės			Likusi galia
Šviečia	Nešviečia	Blyksi	
■	□	■	75 - 100 %
■	■	■	
■	■	□	50 - 75 %
■	□	□	25 - 50 %
■	□	□	0 - 25 %
■	□	□	Įkraukite akumuliatorių.
■	□	□	
■	□	□	Galimai įvyko akumulatoriaus veikimo trūkštis.
□	□	■	

PASTABA: Rodmuo gali šiek tiek skirtis nuo faktinės energijos lygio – tai priklauso nuo naudojimo sąlygų ir aplinkos temperatūros.

Pagrindinis maitinimo jungiklis

Norėdami įjungti įrankį, paspauskite pagrindinį įjungimo mygtuką. Norėdami įrankį išjungti, paspauskite ir palaikykite pagrindinį įjungimo mygtuką, kol išsijungs greičio indikatorius.

► **Pav.7:** 1. Greičio indikatorius 2. Pagrindinis įjungimo mygtukas

PASTABA: Įrankis automatiškai išsijungs, jeigu tam tikrą laikotarpį niekas nebus su juo daroma.

Jungiklio veikimas

⚠️ ĮSPĖJIMAS: Prieš sumontuodami akumulatoriaus kasetę įrankyje, visuomet patikrinkite, ar gaiduko mygtukas gerai veikia ir atleistas grįžta į padėtį „OFF“. Naudojant įrankį, kurio gaidukas netinkamai veikia, galima prarasti kontrolę ir sunkiai susižaloti.

⚠️ PERSPĖJIMAS: Nešdami įrankį, niekada nelaiykite piršto ant jungiklio. Galite atsitiktinai įjungti įrankį ir susižaloti arba sužaloti kitus.

Kad gaidukas nebūtų atsitiktinai nuspaustas, yra įrengta atlaisvinimo svirtis.

Norėdami įjungti įrankį, ranka suspauskite rankeną (suspaudus atleidžiama atlaisvinimo svirtis), tada patraukite gaiduką. Norėdami išjungti įrankį, atleiskite gaiduką.

DUR190U ir DUR191U

► **Pav.8:** 1. Atlaisvinimo svirtis 2. Gaidukas

DUR190L ir DUR191L

► **Pav.9:** 1. Atlaisvinimo svirtis 2. Gaidukas

PASTABA: Jeigu įrankiu tam tikrą laiką neatliksite jokių veiksmų, įrankis automatiškai išsijungs.

Greičio reguliavimas

Įrankio greitį galima pasirinkti spaudant pagrindinį įjungimo mygtuką. Kaskart spustelėjus pagrindinį įjungimo mygtuką, pakeičiamas galios lygis.

► **Pav.10:** 1. Greičio indikatorius 2. Pagrindinis įjungimo mygtukas 3. ADT indikatorius

Greičio indikatorius	Režimas	Sukimosi greitis
	ADT	3 500 - 6 000 min ⁻¹
3	Didelis	6 000 min ⁻¹
2	Vidutinis	5 100 min ⁻¹
1	Mažas	3 500 min ⁻¹

PASTABA: Nustačius ADT (automatinę sukimo momento pavaros technologiją), atsižvelgiant į pjaunamos žolės būklę, įsijungia ADT indikatorius, o įrankis veikia optimaliu sukimosi greičiu ir sukimo momentu.

Atbulinės eigos mygtukas šiuokšlėms šalinti

⚠️ ĮSPĖJIMAS: Išjunkite įrankį ir išimkite akumulatoriaus kasetę, prieš pradėdami šalinti piktžolės arba nuopjovas, kurių naudojant atbulinės eigos funkciją pašalinti nepavyko. Neišjungus ir neišėmus akumulatoriaus kasetės, netychia įjungus įrankį, galima sunkiai susižeisti.

Šis įrankis turi atbulinės eigos mygtuką sukimosi kryptiai keisti. Jis naudojamas tik aplink įrankį apsisukusioms piktžolėms ir šiuokšlėms šalinti.

Norėdami pakeisti sukimosi kryptį, spustelėkite atbulinės eigos mygtuką ir, kai pjovimo įrankis išsijungs, laikydami blokavimo svirtelę nuspausta, patraukite gaiduką. Pradės mirksėti greičio indikatoriai ir ADT indikatorius, o pjovimo įrankis suksis atvirkščia kryptimi, kai paspausite gaiduką.

Norėdami sugrįžti prie įprastos krypties, atleiskite gaiduką ir palaikykite, kol pjovimo įrankis sustos.

► **Pav.11:** 1. Greičio indikatorius 2. ADT indikatorius 3. Atbulinės eigos mygtukas

PASTABA: Galvutei sukantis atbuline kryptimi, įrankis tik trumpai paveikia ir automatiškai išsijungia.

PASTABA: Kai įrankis išsijungia, vėl jį įjungus, jo galvutė vėl sukasi įprasta kryptimi.

PASTABA: Jeigu atbulinės eigos mygtuką paspausite tada, kai pjovimo įrankis vis dar sukasi, įrankis sustos ir bus pasirėngęs atbulinei sukimosi kryptiai.

Elektrinis stabdiklis

Šiame įrankyje įrengtas elektrinis stabdiklis. Jeigu atleidus gauduką įrankis nuolat greitai nesustabdomas, pristatykite jį į mūsų techninės priežiūros centrą, kad jį techniškai apžiūrėtų.

⚠️ JSPĖJIMAS: Stabdiklio sistema nėra apsauginio gaubto pakaitalas. Niekada nenaudokite įrankio be apsauginio gaubto. Naudojant pjovimo įrankį be apsauginio gaubto, galima sunkiai susižaloti.

SURINKIMAS

⚠️ JSPĖJIMAS: Prieš pradėdami bet kokius įrankio taisymo, priežiūros, reguliavimo ar valymo darbus, visuomet būtina išjunkite įrankį ir išimkite akumuliatoriaus kasetę. Neišjungus ir neišėmus akumuliatoriaus kasetės, netyčia įjungus įrankį, galima sunkiai susižeisti.

⚠️ JSPĖJIMAS: Niekada nepaleiskite įrankio, kol jis nebus visiškai sumontuotas. Naudojant iš dalies sumontuotą įrankį, jis gali netyčia pasileisti ir sunkiai sužeisti.

Rankenos sumontavimas

Tik modeliams DUR190U ir DUR191U

1. Įkiškite rankenos vamzdį į laikomąją rankenos dalį. Sutapdinkite rankenoje esančią varžtą skylę su skylė vamzdyje. Tvirtai priveržkite varžtą.

▶ **Pav.12:** 1. Laikomoji rankenos dalis 2. Varžtas 3. Rankena

2. Uždėkite rankeną tarp rankenos apkabos ir rankenos laikiklio. Pareguliuokite rankenos kampą, kad jums būtų patogiu dirbti, tuomet pritvirtinkite varžtais šešiakampe lizdine galvute.

▶ **Pav.13:** 1. Varžtas šešiakampe lizdine galvute 2. Rankenos apkaba 3. Rankenos laikiklis

Užtvartos tvirtinimas

Tik modeliams DUR190L ir DUR191L

Jei su jūsų modelių pateikta užtvarta, pritvirtinkite ją prie rankenos, naudodami ant užtvartos esantį varžtą.

▶ **Pav.14:** 1. Užtvarta 2. Varžtas

⚠️ PERSPĖJIMAS: Kai užtvartą surinksite, jos nenuimkite. Užtvarta yra saugos elementas, neleidžiantis jums netyčia paliesti pjovimo ašmenų.

Priedo vamzdžio sumontavimas

Tik modeliams DUR191U ir DUR191L

Pritvirtinkite priedo vamzdį prie galios įrenginio.

1. Pasukite svirtį paveikslėlyje parodytos rodyklės kryptimi.

▶ **Pav.15:** 1. Svirtis

2. Pakelkite sujungimo vietos gaubtelį ir įkiškite priedo vamzdį, sutapdinę vamzdžio iškyšą (pjovimo įrankio pusėje) su įgaubta vieta sujungimo dalyje.

▶ **Pav.16:** 1. Fiksavimo svirtis 2. Sujungimo vietos gaubtelis 3. Vamzdis

Pasirūpinkite, kad fiksavimo svirties paviršius būtų lygiagretus su vamzdiu.

3. Pasukite svirtį paveikslėlyje parodytos rodyklės kryptimi.

▶ **Pav.17:** 1. Svirtis

Norėdami išimti vamzdį, pasukite svirtį paveikslėlyje parodytos rodyklės kryptimi ir ištraukite vamzdį, spausdami fiksavimo svirtį žemyn.

▶ **Pav.18:** 1. Svirtis 2. Fiksavimo svirtis 3. Vamzdis

Apsauginio gaubto montavimas

⚠️ JSPĖJIMAS: Niekada nenaudokite įrankio, tinkamai neuždėję pavaizduoto apsauginio įtaiso. Antraip galite sunkiai susižeisti.

⚠️ PERSPĖJIMAS: Būkite atsargūs, kad nesusižeistumėte į pjoviklį, skirtą nailoninei vielai nupjauti.

Varžtais pritvirtinkite apsauginį gaubtą prie spaustuvo.

▶ **Pav.19:** 1. Spaustuvas 2. Apsauginis gaubtas 3. Pjaustytuvas

Pjovimo įrankio montavimas

PASTABA: Kaip standartinio priedo tiekiamo pjovimo įrankio (-ių) tipas skiriasi, priklausomai nuo šalies. Kai kuriose šalyse pjovimo įrankis nepridedamas.

PASTABA: Apverskite įrankį aukštyn kojomis ir galėsite lengvai pakeisti pjovimo įrankį.

Pjoviklio ašmenys

⚠️ PERSPĖJIMAS: Naudodami pjoviklio ašmenis, visuomet mūvėkite pirštines ir uždėkite gaubtą ant ašmenų.

⚠️ PERSPĖJIMAS: Pjoviklio ašmenys turi būti aštrūs ir be jokių įtrūkimų ar įskilimų. Jei naudojimo metu pjoviklio ašmenys atsitrūkia į akmenį, sustabdykite variklį ir nedelsdami patikrinkite pjoviklio ašmenis.

⚠️ PERSPĖJIMAS: Visada naudokite pjoviklio ašmenis, kurių skersmuo atitinka nurodytus techninių sąlygų skyriuje.

- **Pav.20:** 1. Veržlė 2. Dangtelis 3. Veržtuvo poveržlė 4. Pjoviklio ašmenys 5. Velenas 6. Apsauga 7. Veleno fiksavimo mygtukas

1. Uždėkite pjoviklio ašmenis ant apsauginio įtaiso taip, kad ant pjoviklio ašmenų ir apsauginio gaubto esančios rodyklės būtų nukreiptos ta pačia kryptimi.

- **Pav.21:** 1. Rodyklė

2. Uždėkite veržtuvo poveržlę ir dangtelį ant pjoviklio ašmenų.

3. Laikydami veleno fiksavimo mygtuką paspausią, veržliarakčiu patikimai užveržkite veržlę.

- **Pav.22:** 1. Veleno fiksavimo mygtukas 2. Veržliaraktis 3. Atlaisvinti 4. Priveržti

Prireikus nuimti pjoviklio ašmenis, laikydami veleno fiksavimo mygtuką paspausią atlaisvinkite veržlę.

Nailoninė pjovimo galvutė

PASTABA: Būtinai naudokite tik originalią „Makita“ nailoninę pjovimo galvutę.

Laikydami veleno fiksavimo mygtuką paspausią, sumontuokite nailoninę pjovimo galvutę ant veleno ir patikimai priveržkite ranka.

- **Pav.23:** 1. Nailoninė pjovimo galvutė 2. Velenas 3. Veleno fiksavimo mygtukas 4. Atlaisvinti 5. Priveržti

Prireikus nuimti nailoninę pjovimo galvutę, laikydami veleno fiksavimo mygtuką paspausią atlaisvinkite nailoninę pjovimo galvutę.

Plastikinis peilis

PASTABA: Būtinai naudokite originalų „Makita“ plastikinį peilį.

Laikydami veleno fiksavimo mygtuką paspausią, sumontuokite plastikinį peilį ant veleno ir patikimai priveržkite ranka.

- **Pav.24:** 1. Plastikinis peilis 2. Velenas 3. Veleno fiksavimo mygtukas 4. Atlaisvinti 5. Priveržti

Prireikus nuimti plastikinį peilį, laikydami veleno fiksavimo mygtuką paspausią atlaisvinkite plastikinį peilį.

PASTABA: Pjovimo įrankiui pritvirtinti / nuimti galite naudoti pridėdamą šešiabriaunį veržliarakį. Įkiškite šešiabriaunį veržliarakį į angą (kaip parodyta paveikslėlyje), kad užfiksuotumėte veleną.

- **Pav.25:** 1. Šešiabriaunis veržliaraktis 2. Anga

⚠ PERSPĖJIMAS: Pjovimo įrankiui uždėti / nuimti visada naudokite pridėtus veržliarakčius.

⚠ PERSPĖJIMAS: Kai pritvirtinsite pjovimo įrankį, būtinai išimkite į įrankį įdėtą šešiabriaunį veržliarakį.

Rankenos / kilpelės padėties reguliavimas

Sureguliuokite rankenos ir kilpelės padėtis taip, kad įrankį būtų patogų laikyti.

Tik modeliams DUR190U ir DUR191U

Sureguliuokite rankenos / kilpelės padėtį taip, kad įrankis patektų į intervalą, kaip parodyta toliau.

► Pav.26

1	Pakabos padėtis nuo žemės
2	Pjovimo įrankio padėtis nuo žemės
3	Išilginis atstumas tarp pakabos ir neapsaugotos pjovimo įrankio dalies

Atlaisvinkite varžtus šešiakampe lizdine galvute rankenos laikiklio apačioje. Pastumkite rankeną į patogią dirbti padėtį ir priveržkite varžtus.

- **Pav.27:** 1. Rankenos laikiklis 2. Varžtas šešiakampe lizdine galvute 3. Rankena

Atlaisvinkite kilpelės varžtus šešiakampe lizdine galvute. Pastumkite kilpelę į patogią dirbti padėtį ir priveržkite varžtus.

- **Pav.28:** 1. Varžtas šešiakampe lizdine galvute 2. Kilpelė

Tik modeliams DUR190L ir DUR191L

Atlaisvinkite rankenos varžtus šešiakampe lizdine galvute. Pastumkite rankeną į patogią dirbti padėtį ir priveržkite varžtus.

- **Pav.29:** 1. Varžtas šešiakampe lizdine galvute 2. Rankena

Atlaisvinkite kilpelės varžtą šešiakampe lizdine galvute. Pastumkite kilpelę į patogią dirbti padėtį ir priveržkite varžtą.

- **Pav.30:** 1. Varžtas šešiakampe lizdine galvute 2. Kilpelė

Šešiabriaunio veržliarakčio laikymas

Nenaudojamą šešiakampį raktą laikykite taip, kaip parodyta paveikslėlyje, kad nepamestumėte.

- **Pav.31:** 1. Šešiakampis veržliaraktis

Tik modeliams DUR190L ir DUR191L

- **Pav.32:** 1. Rankena 2. Šešiakampis raktas

NAUDOJIMAS

Perpetinio diržo tvirtinimas

⚠ PERSPĖJIMAS: Visada naudokite prie įrankio pritvirtintą perpetinį diržą. Prieš darbą sureguliuokite perpetinį diržą pagal naudotoją, tai padės išvengti nuovargio.

⚠ PERSPĖJIMAS: Prieš darbą įsitinkinkite, kad perpetinis diržas tinkamai pritvirtintas prie įrankio pakabos.

Prikabinkite perpetinio diržo kabliuką prie kilpelės ir užsidėkite perpetinį diržą. Įsitinkinkite, ar perpetinis diržas tvirtai laiko įrankį.

DUR190U ir DUR191U

- **Pav.33:** 1. Kablys 2. Kilpelė

DUR190L ir DUR191L

- **Pav.34:** 1. Kablys 2. Kilpelė

Atkabinimas

Perpetiniame dirže yra greitojo atkabinimo įtaisas.

DUR190U ir DUR191U

► Pav.35: 1. Juostelė

Ištraukite juostelę, kad atkabintumėte įrankį nuo perpetinio diržo.

DUR190L ir DUR191L

► Pav.36: 1. Sagtis

Tiesiog suspauskite sagties šonus, kad atkabintumėte įrankį nuo perpetinio diržo.

Tinkamas įrankio nešimas

▲ JSPĖJIMAS: Įrankį visada laikykite dešinėje pusėje. Tinkamai laikant įrankį, jį galima maksimaliai kontroliuoti ir sumažinti susižeidimo pavojų, kurį sukelia atatranka.

▲ JSPĖJIMAS: Tuo metu būkite labai atsargūs, kad suvaldytumėte įrankį. Neleiskite, kad įrankis būtų nukreiptas jūsų arba kito, šalia darbo vietos esančio žmogaus, link. Nesuvaldžius įrankio, galima sunkiai susižeisti arba sužeisti šalia esančius žmones ir operatorių.

▲ JSPĖJIMAS: Kai toje pačioje vietoje dirba du arba daugiau operatorių, tarp jų turi būti išlaikomas didesnis nei 15 m (50 pėdų) atstumas, kad būtų išvengta nelaimingo atsitikimo. Taip pat reikia paskirti asmenį, kuris stebėtų atstumą tarp operatorių. Jei žmogus arba gyvūnas įžengia į darbinę sritį, nedelsdami nutraukite darbą.

▲ PERSPĖJIMAS: Jeigu dirbant įrankis netyčia atsitrėnkų į akmenį arba kitą kietą objektą, išjunkite įrankį ir apžiūrėkite, ar jis neapgadintas. Jeigu pjovimo įrankis apgadintas, tuoj pat pakeiskite jį nauju. Naudojant apgadintą pjovimo įrankį, galima sunkiai susižaloti.

▲ PERSPĖJIMAS: Kai pjaunate žolę, nuimkite ašmenų gaubtą nuo pjoviklio ašmenų.

Tinkamai nustačius ir laikant įrankį, jį galima maksimaliai kontroliuoti ir sumažinti susižeidimo pavojų, kurį sukelia atatranka.

DUR190U ir DUR191U

► Pav.37

DUR190L ir DUR191L

► Pav.38

Naudojant nailoninę pjovimo galvutę (tiekimu stuktelių tipu)

Nailoninė pjovimo galvutė yra dviguba vielinės žoliapjovės galvutė su paleidimo ir tiekimu mechanizmu (paleidžiamu stuktelių tipu).

Norint, kad nailoninė viela būtų tiekiama, varikliui veikiant stuktelėkite nailoninę pjovimo galvutę į žemę.

► Pav.39: 1. Našiausia pjovimo sritis

PASTABA: Tiekimo stuktelint funkcija tinkamai neveiks, jeigu nailoninė pjovimo galvutė nesisuks.

PASTABA: Jeigu stuktelėjus galvutę nailoninė viela netiekiami, atsukite / pakeiskite nailoninę vielą, atlikdami veiksmus, aprašytus techninės priežiūros skyriuje.

TECHNINĖ PRIEŽIŪRA

▲ JSPĖJIMAS: Prieš bandydami atlikti įrankio tikrinimo arba techninės priežiūros darbus, visomet būtinai išjunkite įrankį ir išimkite akumuliatoriaus kasetę. Neišjungus ir neišėmus akumuliatoriaus kasetės, netyčia įjungus įrankį, galima sunkiai susižeisti.

PASTABA: Niekada nenaudokite gazolino, benzino, tirpiklio, spirito arba panašių medžiagų. Gali atsirasti išblukimų, deformacijų arba įtrūkimų.

Kad gaminys būtų SAUGUS ir PATIKIMAS, jį taisyti, apžiūrėti ar vykdyti bet kokią kitą priežiūrą ar derinimą turi įgaliotasis kompanijos „Makita“ techninės priežiūros centras; reikia naudoti tik kompanijos „Makita“ pagamintas atsargines dalis.

Nailoninės vielos keitimas

▲ JSPĖJIMAS: Naudokite tik šioje naudojimo instrukcijoje nurodyto skersmens nailoninę vielą. Niekada nenaudokite sunkesnės, metalinės vielos, lyno ar pan. Kitaip įrankis gali būti sugadintas, todėl žmonės gali būti smarkiai sužaloti.

▲ JSPĖJIMAS: Kai keičiate nailoninę vielą, visada nuimkite nailoninę pjovimo galvutę nuo įrankio.

▲ JSPĖJIMAS: Nailoninės pjovimo galvutės apsauginį gaubtą būtinai reikia tinkamai pritvirtinti prie korpuso, kaip aprašyta šioje naudojimo instrukcijoje. Tinkamai nepritvirtinus apsauginio gaubto, nailoninė pjovimo galvutė gali nuskristi ir sunkiai sužeisti.

Pakeiskite nailoninę vielą, jeigu ji nebetiekiami. Nailoninės pjovimo galvutės keitimo būdas skiriasi priklausomai nuo galvutės tipo.

95-M10L

► Pav.40

Plastikinio peilio pakeitimas

Pakeiskite plastikinį peilį, jeigu jis nusidėvėjo arba sulūžo.

► Pav.41

Montuojant plastikinį peilį, ant peilio esančios rodyklės kryptis turi sutapti su ant apsauginio gaubto esančios rodyklės kryptimi.

► Pav.42: 1. Rodyklė ant apsauginio gaubto
2. Rodyklė ant peilio

GEDIMŲ ŠALINIMAS

Prieš kreipdamiesi dėl remonto darbų, pirmiausia patikrinkite gedimus patys. Kilus problemų, apie kurias nepaaiškinta vartotojo vadove, nemėginkite ardyti įrankio. Kreipkitės į įgaliotuosius „Makita“ techninės priežiūros centrus, kuriuose remontui visuomet naudojamos originalios „Makita“ keičiamosios dalys.

Neįprasta būklė	Tikėtina priežastis (triktis)	Ištaisomoji priemonė
Neveikia variklis.	Neįdėta akumuliatoriaus kasetė.	Įdėkite akumuliatoriaus kasetę.
	Akumuliatoriaus problema (per mažą įtampą)	Įkraukite akumuliatorių. Jei įkrauti nepavyksta, akumuliatorių pakeiskite.
	Netinkamai veikia pavaros sistema.	Dėl remonto kreipkitės į vietinį įgaliotąjį techninės priežiūros centrą.
Po trumpo naudojimo laikotarpio variklis nustoja veikęs.	Mažas akumuliatoriaus įkrovos lygis.	Įkraukite akumuliatorių. Jei įkrauti nepavyksta, akumuliatorių pakeiskite.
	Perkaitimas.	Nesinaudokite įrankiu ir leiskite jam atvėsti.
Jis nepasiekia didž. aps./min.	Akumuliatorius netinkamai įdėtas.	Akumuliatoriaus kasetę įdėkite, kaip aprašyta šioje naudojimo instrukcijoje.
	Mažėja akumuliatoriaus galia.	Įkraukite akumuliatorių. Jei įkrauti nepavyksta, akumuliatorių pakeiskite.
	Netinkamai veikia pavaros sistema.	Dėl remonto kreipkitės į vietinį įgaliotąjį techninės priežiūros centrą.
Pjovimo įrankis nesisuka: ⇒ nedelsdami sustabdykite įrenginį!	Tarp apsauginio gaubto ir pjovimo įrankio įstrigo pašalinė medžiaga, pvz., šaka.	Pašalinkite pašalinę medžiagą.
	Netinkamai veikia pavaros sistema.	Dėl remonto kreipkitės į vietinį įgaliotąjį techninės priežiūros centrą.
Neįprasta vibracija: ⇒ nedelsdami sustabdykite įrenginį!	Sulūžo vienas nailoninės vielos galas.	Stuktelėkite besisukančią nailoninę pjovimo galvutę į žemę, kad viela būtų tiekiamą.
	Netinkamai veikia pavaros sistema.	Dėl remonto kreipkitės į vietinį įgaliotąjį techninės priežiūros centrą.
Pjovimo įrankis ir variklis nesustoja: ⇒ nedelsdami išimkite akumuliatorių!	Elektros ar elektronikos sistemos gedimas.	Išimkite akumuliatorių ir susisiekite su vietiniu įgaliotuoju techninės priežiūros centru dėl remonto.

PASIRENKAMI PRIEDAI

⚠ JSPĖJIMAS: Naudokite tik rekomenduojamus priedus arba įtaisus, nurodytus šiame vadove. Naudojant bet kokį kitą priedą arba įtaisą, galima sunkiai susižeisti.

⚠ PERSPĖJIMAS: Šiuos papildomus priedus arba įtaisus rekomenduojama naudoti su šioje instrukcijoje nurodytu „Makita“ bendrovės įrankiu. Naudojant bet kokius kitus papildomus priedus arba įtaisus, gali kilti pavojus sužeisti žmones. Naudokite tik nurodytam tikslui skirtus papildomus priedus arba įtaisus.

Jeigu norite daugiau sužinoti apie tuos priedus, kreipkitės į artimiausią „Makita“ techninės priežiūros centrą.

- Pjoviklio ašmenys
- Nailoninė pjovimo galvutė
- Nailoninė viela (pjovimo viela)
- Plastikinis peilis
- Originalus „Makita“ akumuliatorius ir įkroviklis

PASTABA: Kai kurie sąraše esantys priedai gali būti pateikti įrankio pakuotėje kaip standartiniai priedai. Jie įvairiose šalyse gali skirtis.

TEHNILISED ANDMED

Mudel:	DUR190U	DUR190L	DUR191U	DUR191L
Käepideme tüüp	Jalgratta käepide	Aaspide	Jalgratta käepide	Aaspide
Koormuseta kiirus	3: 6 000 min ⁻¹ 2: 5 100 min ⁻¹ 1: 3 500 min ⁻¹			
Üldpikkus (löikeriistata)	1 775 mm			
Nailontamiili läbimõõt	2,0 – 2,4 mm			
Kasutatav löikeriist ja löikeläbimõõt	3-hambaline tera (P/N 191J34-5)	230 mm		
	4-hambaline tera (P/N 729025-2)	230 mm		
	Nailonist löikepea (P/N 126674-0)	300 mm		
	Plastist löiketera (P/N 126642-3)	230 mm		
Nimipinge	Alalisvool 18 V			
Netokaal	3,1 - 3,4 kg	2,9 - 3,2 kg	3,4 - 3,7 kg	3,2 - 3,5 kg

- Meie pideva uuringu- ja arendusprogrammi tõttu võidakse tehnilisi andmeid muuta ilma sellest ette teatamata.
- Tehnilised andmed võivad riigiti erineda.
- Kaal võib erineda olenevalt lisaseadistest, kaasa arvatud akukassetist. Kergetim ja raskeim kombinatsioon EPTA-protseduuri 01/2014 kohaselt on toodud tabelis.

Sobiv akukassett ja laadija

Akukassett	BL1815N / BL1820 / BL1820B / BL1830 / BL1830B / BL1840 / BL1840B / BL1850 / BL1850B / BL1860B
Laadija	DC18RC / DC18RD / DC18RE / DC18SD / DC18SE / DC18SF / DC18SH

- Mõned eespool loetletud akukassetid ja -laadijad ei pruugi olla teie riigis saadaval.

⚠ HOIATUS: Kasutage ainult ülalpool loetletud akukassette ja laadijaid. Muude akukassettide ja laadijate kasutamine võib tekitada vigastusi ja/või tulekahju.

Soovituslik akuadapter

Akumuundur	PDC01
------------	-------

- Eespool loetletud akuadapter(id) ei pruugi olla teie riigis saadaval.
- Enne akuadapteri kasutamist lugege akuadapteril olevat juhust ja ohutusmärgiseid.

Model DUR190U

Lõikeriist	Helirõhu tase (L_{pA}) dB(A)		Helivõimsuse tase (L_{WA}) dB(A)		Kohaldatav standard
	L_{pA} dB(A)	Kõikumine (K) dB(A)	L_{WA} dB(A)	Kõikumine (K) dB(A)	
4-hambaline tera	77,0	3,9	91,6	2,4	ISO22868 (ISO11806-1)
Nailonist lõikepea	74,0	1,9	87,1	0,9	ISO22868 (ISO11806-1)/ EN50636-2-91
Plastist lõiketera	75,6	1,3	85,9	2,1	ISO22868 (ISO11806-1)/ EN50636-2-91

Model DUR190L

Lõikeriist	Helirõhu tase (L_{pA}) dB(A)		Helivõimsuse tase (L_{WA}) dB(A)		Kohaldatav standard
	L_{pA} dB(A)	Kõikumine (K) dB(A)	L_{WA} dB(A)	Kõikumine (K) dB(A)	
4-hambaline tera	77,0	3,9	91,6	2,4	ISO22868 (ISO11806-1)
Nailonist lõikepea	74,0	1,9	87,1	0,9	ISO22868 (ISO11806-1)/ EN50636-2-91
Plastist lõiketera	75,6	1,3	85,9	2,1	ISO22868 (ISO11806-1)/ EN50636-2-91

Model DUR191U

Lõikeriist	Helirõhu tase (L_{pA}) dB(A)		Helivõimsuse tase (L_{WA}) dB(A)		Kohaldatav standard
	L_{pA} dB(A)	Kõikumine (K) dB(A)	L_{WA} dB(A)	Kõikumine (K) dB(A)	
4-hambaline tera	77,0	3,9	91,6	2,4	ISO22868 (ISO11806-1)
Nailonist lõikepea	74,0	1,9	87,1	0,9	ISO22868 (ISO11806-1)/ EN50636-2-91
Plastist lõiketera	75,6	1,3	85,9	2,1	ISO22868 (ISO11806-1)/ EN50636-2-91

Model DUR191L

Lõikeriist	Helirõhu tase (L_{pA}) dB(A)		Helivõimsuse tase (L_{WA}) dB(A)		Kohaldatav standard
	L_{pA} dB(A)	Kõikumine (K) dB(A)	L_{WA} dB(A)	Kõikumine (K) dB(A)	
4-hambaline tera	77,0	3,9	91,6	2,4	ISO22868 (ISO11806-1)
Nailonist lõikepea	74,0	1,9	87,1	0,9	ISO22868 (ISO11806-1)/ EN50636-2-91
Plastist lõiketera	75,6	1,3	85,9	2,1	ISO22868 (ISO11806-1)/ EN50636-2-91

- Isegi kui loetletud helirõhutase on 80 dB (A) või väiksem, võib töötamisel tekkinud tase olla suurem kui 80 dB (A). Kasutage kõrvakaitsmeid.

MÄRKUS: Deklareeritud müra väärtust (väärtuseid) on mõõdetud kooskõlas standardse katsemeetodiga ning seda võib kasutada ühe seadme võrdlemiseks teisega.

MÄRKUS: Deklareeritud müra väärtust (väärtuseid) võib kasutada ka mürataseme esmaseks hindamiseks.

⚠️HOIATUS: Kasutage kõrvakaitsmeid.

⚠️HOIATUS: Müratase võib elektritööriista tegelikkuses kasutamise ajal erineda deklareeritud väärtus(t) est olenevalt tööriista kasutusviisidest ja eriti töödeldavast toorikust.

⚠️HOIATUS: Rakendage operaatori kaitsmiseks kindlasti piisavaid ohutusabinõusid, mis põhinevad hinnangulisel müratasemel tegelikus tööolukorras (võttes arvesse tööperioodi kõiki osasid, näiteks korrad, kui seade lülitatakse välja ja seade töötab tühikäigul, lisaks tööajale).

Vibratsioon

Mudel DUR190U

Löikeriist	Vasak käsi		Parem käsi		Kohaldatav standard
	$a_{h,w}$ (m/s ²)	Kõikumine K (m/s ²)	$a_{h,w}$ (m/s ²)	Kõikumine K (m/s ²)	
4-hambaline tera	≤ 2,5	1,5	≤ 2,5	1,5	ISO22867 (ISO11806-1)
Nailonist löikepea	≤ 2,5	1,5	≤ 2,5	1,5	ISO22867 (ISO11806-1)
Plastist löiketera	≤ 2,5	1,5	≤ 2,5	1,5	ISO22867 (ISO11806-1)

Mudel DUR190L

Löikeriist	Vasak käsi		Parem käsi		Kohaldatav standard
	$a_{h,w}$ (m/s ²)	Kõikumine K (m/s ²)	$a_{h,w}$ (m/s ²)	Kõikumine K (m/s ²)	
4-hambaline tera	≤ 2,5	1,5	≤ 2,5	1,5	ISO22867 (ISO11806-1)
Nailonist löikepea	≤ 2,5	1,5	≤ 2,5	1,5	ISO22867 (ISO11806-1)
Plastist löiketera	≤ 2,5	1,5	≤ 2,5	1,5	ISO22867 (ISO11806-1)

Mudel DUR191U

Löikeriist	Vasak käsi		Parem käsi		Kohaldatav standard
	$a_{h,w}$ (m/s ²)	Kõikumine K (m/s ²)	$a_{h,w}$ (m/s ²)	Kõikumine K (m/s ²)	
4-hambaline tera	≤ 2,5	1,5	≤ 2,5	1,5	ISO22867 (ISO11806-1)
Nailonist löikepea	≤ 2,5	1,5	≤ 2,5	1,5	ISO22867 (ISO11806-1)
Plastist löiketera	≤ 2,5	1,5	≤ 2,5	1,5	ISO22867 (ISO11806-1)

Mudel DUR191L

Löikeriist	Vasak käsi		Parem käsi		Kohaldatav standard
	$a_{h,w}$ (m/s ²)	Kõikumine K (m/s ²)	$a_{h,w}$ (m/s ²)	Kõikumine K (m/s ²)	
4-hambaline tera	≤ 2,5	1,5	≤ 2,5	1,5	ISO22867 (ISO11806-1)
Nailonist löikepea	≤ 2,5	1,5	≤ 2,5	1,5	ISO22867 (ISO11806-1)
Plastist löiketera	≤ 2,5	1,5	≤ 2,5	1,5	ISO22867 (ISO11806-1)

MÄRKUS: Deklareeritud vibratsiooni koguväärtust (-väärtuseid) on mõeldud kooskõlas standardse katsemeetodiga ning seda võib kasutada ühe seadme võrdlemiseks teisega.

MÄRKUS: Deklareeritud vibratsiooni koguväärtust (-väärtuseid) võib kasutada ka mürataseme esmaseks hindamiseks.

⚠️HOIATUS: Vibratsioonitase võib elektritööriista tegelikkuses kasutamise ajal erineda deklareeritud väärtus(t)est olenevalt tööriista kasutusviisidest ja eriti töödeldavast toorikust.

⚠️HOIATUS: Rakendage operaatori kaitsemiseks kindlasti piisavaid ohutusabinõusid, mis põhinevad hinnangulisel müratasemel tegelikus töösihtuatsioonis (võttes arvesse tööperioodi kõiki osasid, näiteks korrad, kui seade lülitatakse välja ja seade töötab tühikäigul, lisaks tööajale).

Sümbolid

Alljärgnevalt kirjeldatakse seadmetel kasutatavaid tingimärke. Veenduge, et olete nende tähendusest aru saanud enne seadme kasutamist.



Olge äärmiselt ettevaatlik ja tähelepanelik.



Lugege juhendit.



Hoidke vähemalt 15 m vahekaugust.



Ohtlik; pidage silmas õhkupaiskuvaid objekte.



Ettevaatus – tagasilöök



Kandke kiivrit, kaitseprille ja kõrvakaitsmeid.



Kandke kaitsekindaid.



Kandke tugevaid libisemiskindla tallaga jalatseid. Soovitatavalt kandke terasest ninakapiga kaitsejalatseid.



Ärge jätke seadet niiskuse kätte.



NI-MH
Li-Ion

Ainult Euroopa riigid
Ärge visake elektriseadmeid ja akusid ära koos majapidamisprügiga! Kooskõlas Euroopa Parlamendi ja nõukogu direktiividega elektri- ja elektroonikaseadmete jäätmete, patareide ja akude, patarei- ja akujäätmete kohta ning liikmesriikide seadustega tuleb kasutuskõlbmatuks muutunud elektriseadmed ja akud koguda eraldi ning keskkonnasäästlikult ringlusse võtta.

EÜ vastavusdeklaratsioon

Ainult Euroopa riikide puhul

EÜ vastavusdeklaratsioon sisaldub käesoleva juhendi Lisas A.

OHUTUSHOIATUSED

Üldised elektritööriistade ohutushoiatused

⚠️HOIATUS: Lugege läbi kõik selle elektritööriista kaasas olevad ohutushoiatused, juhised, joonised ja tehnilised andmed. Järgnevate juhiste eiramine võib põhjustada elektrilöögi, süttimise ja/või raske kehavigastuse.

Hoidke edaspidisteks viideteks alles kõik hoiatused ja juhtnöörid.

Hoiatuses kasutatud termini „elektritööriist“ all peetakse silmas elektriga töötavaid (juhtmega) elektritööriistu või akuga töötavaid (juhtmata) elektritööriistu.

Seadmega seotud olulised ohutusjuhised

⚠️HOIATUS: Lugege läbi kõik ohutushoiatused ja juhtnöörid. Hoiatuste ja juhtnööride mittejärgmine võib põhjustada elektrišokki, tulekahju ja/või tõsiseid vigastusi.

Hoidke edaspidisteks viideteks alles kõik hoiatused ja juhtnöörid.

Kavandatud kasutus

1. Seade on mõeldud ainult rohu, umbrohu, pöõsaste ja alustaimestiku lõikamiseks. Seda ei tohiks kasutada mitte mingil muul eesmärgil, nagu näiteks servade piiramine või heki pügamine, sest see võib põhjustada vigastusi.

Üldjuhised

1. Ärge kunagi laske seadet kasutada isikutele, kes ei ole tutvunud nende juhistega, samuti piiratud füüsiliste, sensoorsete või vaimsete võimete isikutele (k.a lapsed) või neil, kellel puuduvad seadme kasutamiseks piisavad kogemused ja teadmised. Jälgige, et lapsed ei mängiks seadmega.
2. Enne seadme käivitamist lugege läbi kasutusjuhend ning tehke endale selgeks seadme käsitsemine.
3. Ärge andke seadet isikutele, kellel ei ole võsaloikurite ja jõhvtrimmerite käsitsemiseks piisavaid kogemusi või teadmisi.
4. Seadme laenamisele andke sellega alati kaasa käesolev juhend.
5. Seadme käsitsemisel tuleb olla ülimalt ettevaatlik ja tähelepanelik.
6. Ärge kunagi kasutage seadet siis, kui olete tarvitanud alkoholi või ravimeid või kui tunnete ennast väsinuna või olete haige.
7. Ärge kunagi püüdke seadet muuta.
8. Järgige teie riigis kehtivaid võsaloikurite ja jõhvtrimmerite käsitsemist reguleerivaid määrusi.

Isikukaitsevahendid

► Joon.1

1. Kandke kaitsekiivrit, -prille ja -kindaid, et kaitsta ennast lendava prahi või kukkuvate esemete eest.
2. Kandke kuulmiskaitsevahendeid, näiteks kõrvatrope, et vältida kuulmiskadu.

3. **Kandke** ohutuks tööks sobivaid rõivaid ja jalanõusid, näiteks töökombinesooni ja tugevaid libise-miskindlaid jalatseid. Ärge kandke avaraid rõivaid ega ehteid. Avarad riideesemed, ehted või pikad juuksed võivad liikuvate osade vahele takerduda.
4. **Kandke** lõiketera puudutamisel alati kaitsekindaid. Lõiketerad võivad teha kaitsmata kättesse sügavaid sisselõikeid.

Tööpiirkonna ohutus

1. **Kasutage** seadet ainult hea nähtavuse korral ja päeval. Ärge kasutage seadet pimedas ega udus.
2. **Ärge kasutage** tööriista plahvatusohtlikus keskkonnas, nagu tuleohtlike vedelike, gaaside või tolmu läheduses. Seade tekitab säde-meid, mis võivad tolmu või auru süüdata.
3. **Ärge kunagi seiske** töö ajal ebastabiilsel või libedal pinnal ega järsul nõlvaku. Talvisel ajal arvestage jää ja lumega ning veenduge alati, et jalgal oleks kindel toetuspind.
4. **Jälgige**, et kõrvalised isikud ja loomad jääksid töötamise ajal seadmest vähemalt 15 m kaugusele. Seisake seade kohe, kui keegi teile läheneb.
5. **Ärge kunagi kasutage** tööriista siis, kui läheduses viibivad inimesed (eriti lapsed) või lemmikloomad.
6. Enne töö alustamist uurige, kas tööpiirkonnas leidub kive või muid kõvasid esemeid. Need võidakse õhku paisata või nende mõjul võivad tekkida ohtlikud tagasiöögid, mille tagajärg on raskesti vigastused ja/või varaline kahju.
7. **⚠️HOIATUS!** Selle toote kasutamine võib tekitada kemikaale sisaldavat tolmu, mis võib põhjustada hingamisteede või muid haigusi. Sellised kemikaalid võivad olla näiteks pestitsiidides, insektitsiidides, väetistes ja herbitsiidides sisalduvad ühendid. Olenevalt sellest, kui sageli te seda tüüpi tööga kokku puutute, varieerub ka riski suurus haigestuda eespool nimetatud haigustesse, mida nende ainete mõju all viibimine võib põhjustada. Nimetatud kemikaalidega kokkupuute vähendamiseks töötage hea õhuvahetusega kohas ja kasutage heakskiidetud kaitsevahendeid, näiteks spetsiaalselt mikroosakeste filtreerimiseks mõeldud tolmumaske.

Elektriohutus ja aku ohutu talitus

1. **Seadet ei tohi jätta** vihma kätte ega märga keskkonda. Seadmesse sisse sattunud vesi suurendab elektrilöögiohtu.
2. **Ärge kasutage seadet, kui seda ei saa lülitist sisse ega välja lülitada.** Iga seade on ohtlik, kui seda ei saa lülitist juhtida, ning see tuleb parandada.
3. **Vältige juhukäivitust.** Enne akukasetti paigaldamist, seadme käteviitmist või kandmist veenduge, et lüliti oleks väljalülitatud asendis. Kui hoiate seadet kandes sõrme lüliti või ühendate seadme vooluvõrku sel ajal, kui lüliti on sisselülitatud asendis, võite põhjustada õnnetuse.
4. **Ärge visake kasutatud akut (akusid) tulle.** Element võib plahvatada. Kasutatud akude käitlemise võimalikud erinõuded leiata kohalikest eeskirjadest.
5. **Akut (akusid) ei tohi avada ega kahjustada.** Väljaväljagunud elektrolüüt on söövitava toimega ning võib kahjustada silmi ja nahka. See võib osutuda allaneelamisel mürgiseks.
6. **Ärge laadige akut** vihma käes ega märjas keskkonnas.

Kasutusele võtmine

1. Enne seadme monteerimist või reguleerimist eemaldage akukasett.
2. Enne lõiketera käsitsemist pange kätte kaitsekindad.
3. Enne akukasetti paigaldamist kontrollige, et seadmel ei oleks vigastusi, lahtiisi polte/mutreid või valesti monteeritud osi. Teritage nüri lõiketera. Kui lõiketera on paindunud või vigastatud, vahetage see välja. Kontrollige, kas kõik juhthoovad ja lülitid liiguvad vabalt. Puhastage ja kuivatage käepidemed.
4. **Ärge kunagi proovige seadet sisse lülitada, kui see on kahjustunud või ei ole täielikult monteeritud.** Muidu võib tekkida tõsine vigastus.
5. **Reguleerige kandevööd ja pidet kasutaja keha-moote arvesse võttes.**
6. Akukasetti sisestamise ajal hoidke lõiketera oma kehast ja teistest objektidest, kaasa arvatud maapinnast eemal. Käivitamisel ajal võib see pöörlema hakata ning põhjustada kehavigastusi või tekitada kahju seadmele ja/või varale.
7. Eemaldage reguleerimis- ja mutrivõti või terakate enne seadme käivitamist. Tarvik, mis on jäetud seadme pöörleva osa külge, võib põhjustada kehavigastuse.
8. Lõiketera peab olema kaitse. Ärge kunagi kasutage seadet, mille kaitsemel on kahjustatud või millel ei ole kaitsemeid!
9. **Veenduge, et tööriista kasutamisel ei oleks läheduses elektrijuhtmeid, veetorusid, gaasitorusid jne, mis võivad kahjustamisel põhjustada ohtu.**

Kasutamine

1. Hädaolukorras lülitage seade viivitamatult välja.
2. Kui tajute töö ajal midagi ebatavalist (nt müra, vibratsiooni), lülitage seade välja ja eemaldage akukasett. Ärge kasutage seadet enne, kui põhjus on kindlaks tehtud ja kõrvaldatud.
3. Lõiketeriit jätkab pärast seadme väljalülitamist lühikest aega pöörlemist. Ärge kiirustage lõiketera puudutamisega.
4. **Kasutage töötamise ajal õlarakmeid.** Hoidke seadet kindlalt oma paremal küljel.
5. Ärge küünitage liiga kaugelt ette. Hoidke kogu aeg jalad kindlalt maas ning hoidke tasakaalu. Komistamise vältimiseks olge tähelepanelik varjatud takistuste, nt kandude, puujuurte ja kraavide suhtes.
6. Jälgige kallakutel alati, et teil oleks kindel jalgealune.
7. **Kõndige, ärge kunagi jookske.**
8. **Kontrolli kaotamise vältimiseks ärge kunagi töötage redelil või puu otsas.**
9. Kui seade saab tugeva löögi või kukub maha, kontrollige enne töö jätkamist selle seisukorda. Kontrollige, kas juht- ja kaitseesadised on töökorras. Kahjustuste või kahtluse korral laske volitatud hoolduskeskusel seadet kontrollida ja parandada.
10. **Tehke väsimusest tingitud kontrollikaotuse vältimiseks puhkepause.** Soovitav puhata igas tunnis 10–20 minutit.
11. **Kui lahkute seadme juurest kas või lühikeseks ajaks, eemaldage alati akukasett.** Järelevalveta jäetud seadet, millesse on paigaldatud akukasett, võivad kasutada kõrvalised isikud, kes võivad põhjustada raskesti õnnetusi.

12. Kui rohi või oksad takerduvad lõikeriista ja kaitsekatte vahele, siis lülitage alati seade välja ja eemaldage akukassett enne, kui hakate seadet puhastama. Muidu võib lõikeriist ootamatult pöörlema hakata ja põhjustada tõsise kehavigastuse.
13. Ärge kunagi puudutage liikuvaid ohtlikke osi enne, kui need on täielikult peatunud ja akukassett on eemaldatud.
14. Kui lõikeriist tabab kive või muid kõvasid esemeid, siis lülitage seade viivitamatult välja. Seejärel eemaldage akukassett ja kontrollige lõikeriista.
15. Kontrollige töötamise ajal sageli, et lõikeriistal ei oleks pragusid ega muid kahjustusi. Enne kontrollimist eemaldage akukassett ja oodake, kuni lõikeriist on täielikult seiskunud. Vahtetage kahjustunud lõikeriist kohe välja, ka siis, kui sellel on ainult pindmised praod.
16. Ärge löigake kunagi oma vöökohast kõrgemalt.
17. Pärast seadme sisselülitamist ärge alustage lõikamist enne, kui lõikeriist on saavutanud ühtlase kiiruse.
18. Lõiketerade kasutamisel liigutage seadet ühtlaselt poolkaares paremalt vasakule, nagu vikatit kasutades.
19. Hoidke tööriista ainult isoleeritud haardepindadest, sest lõiketera võib sattuda varjatud juhtmetega kokkupuutesse. Pingestatud juhtmega kokkupuutesse sattunud lõiketerad võivad pingestada tööriista metallosi, mille tagajärjel võib tööriista kasutaja saada elektrilöögi.
20. Ärge käivitage tööriista, kui lõikeriista külge on takerdunud lõigatud muru.
21. Enne tööriista käivitamist veenduge, et lõikeriist ei puutuks maapinna ega muude takistuste, näiteks puu vastu.
22. Kasutamise ajal hoidke tööriista alati kahe käega. Tööriistaga töötamisel ärge hoidke seda ainult ühe käega.
23. Vältige tööriista kasutamist halbade ilmaolude korral või kui valitseb äikesoht.

Lõikeriistad

1. Ärge kasutage lõikeriista, mida me ei ole soovitanud.
2. Kasutage käsiloleva töö jaoks ettenähtud lõikeriista.
 - Nailonist lõikepead (jõhviga trimmeripead) ja plastist lõiketerad sobivad muru kärpimiseks.
 - Lõiketerad sobivad umbrohu, kõrge rohu, põõsaste, puhmaste, alusmetsa, tihniku jms lõikamiseks.
 - Ärge kasutage teisi terasid, sh metallist mitmeosalisi pöörlevaid kette ega vasarnugasid. See võib põhjustada raske vigastuse.
3. Kasutage ainult sellist lõikeriista, millele märgitud kiirus on võrdne tööriistale märgitud kiirusega või sellest suurem.
4. Hoidke käed, nägu ja riided alati pöörlevast lõikeriistast eemal. Selle eiramise tagajärg võib olla kehavigastus.

5. Lõikeriista kaitsekate peab alati sobima kasutatava lõikeriistaga.
6. Lõiketerade kasutamisel vältige tagasilööki ning olge alati valmis ootamatuks tagasilöögiks. Vt alapunkti „Tagasilöök“.
7. Kui ei kasutata, kinnitage terale terakate. Enne kasutamist tuleb terakate eemaldada.

Tagasilöök (lõiketera vastusurve)

1. Tagasilöök (lõiketera vastusurve) on äkiline reaktsioon takerdunud või kinni jäänud lõiketerale. Selle esinemisel paisatakse seade suure jõuga küljele või operaatori poole ning see võib põhjustada raske kehavigastuse.
2. Tagasilöök esineb eelkõige siis, kui tera sektor, mis jääb kellaplaadil 12 ja 2 vahele, puutub vastu kõvasid esemeid, põõsaid ja puid, mille läbimõõt ületab 3 cm.

► Joon.2

3. Tagasilöögi vältimiseks:
 1. alustage lõikamist sektoriga, mis jääb kellaplaadil 8 ja 11 vahele.
 2. Ärge kunagi alustage lõikamist sektoriga, mis jääb kellaplaadil 12 ja 2 vahele.
 3. Ärge alustage lõikamist sektoritega, mis jäävad kellaplaadil 11 ja 12 ning 2 ja 5 vahele, välja arvatud juhul, kui operaator on saanud korraliku väljaõppe, tal on vajalikud kogemused ning ta teeb seda enda vastutusel.
 4. Ärge kasutage lõiketerasid kõvade esemete, nagu tarade, seinte, puutüvede ja kivide läheduses.
 5. Ärge kasutage lõiketerasid vertikaalsuunas selliste tööde puhul, nagu servade piiramine ja heki kärpimine.

► Joon.3

Vibratsioon

1. Vereringehäiretega isikutel, kes on jäänud liigse vibratsiooni mõju alla, võib esineda veresoontõve või närvisüsteemi kahjustus. Vibratsioon võib põhjustada sõrmedes, kätes või randmetes järgmisi sümptomeid: „ärasuremine“ (tuimus/tundetud), kihelemine, valu, torkava valu aisting, naha värvuse või naha muutused. Kui teil esineb mõni nimetatud sümptomist, siis pöörduge arsti poole!
2. „Valge sõrme sündroomi“ ohu vähendamiseks hoidke käed töötamise ajal soojas ning hooldage korralikult seadet ja tarvikuid.

Transportimine

1. Enne seadme transportimist lülitage see välja ja eemaldage akukassett. Paigaldage lõiketera kate.
2. Seadme transportimisel kandke seda varrest hoides horisontaalses asendis.
3. Kui transpordite seadet sõidukis, kinnitage seade nii, et see ei saaks ümber minna. Muidu võib seade või muu pagas kahjustuda.

Hooldus

1. **Laske seadet hooldada volitatud hoolduskeskusel.** Kasutage alati ainult originaalseid varuosi. Oskamatult tehtud parandus või nõuetele mittevastav hooldus võivad seadme kasutisiga lühendada ning põhjustada õnnetusi juhtumeid.
2. Enne seadme hooldamist, parandamist või puhastamist lülitage see alati välja ja eemaldage akukassett.
3. Lõiketera käsitsemise ajal kandke alati kaitsekindaid.
4. **Puhastage seade alati tolmust ja mustusest.** Ärge kunagi kasutage puhastamiseks bensiini, vedeldit, alkoholi ega muid sarnaseid aineid. See võib põhjustada plastosade värvuse muutumist, deformeerumist või pragunemist.
5. **Pärast igakordset kasutamist keerake kõik mutrid ja poldid tugevamini kinni.**
6. **Ärge proovige seadet hooldada ega parandada viisil, mida kasutusjuhendis pole kirjeldatud.** Pöörduge selliste tööde tegemiseks meie volitatud hoolduskeskusse.
7. **Kasutage alati ainult meie originaalvaruosi ja tarvikuid.** Teiste tootjate osade või tarvikute kasutamine võib kaasa tuua seadme rikke, varalise kahju ja/või raske vigastuse.
8. **Laske meie volitatud hoolduskeskusel seadet regulaarselt kontrollida ja hooldada.**
9. **Hoidke tööriista alati heas töökorras.** Halb hooldus võib põhjustada töötamise halvenemist ja tööea lühenemist.

Hoiudamine

1. Enne seadme hoiulepanekut tehke sellele täielik puhastus ja hooldus. Eemaldage akukassett. Paigaldage lõiketera kate.
2. **Hoidke seadet kuivas kohas, lastele kättesaamatult kõrgel riiulil või luku taga.**
3. **Ärge toetage seadet millegi, näiteks seina vastu.** Seade võib ootamatult ümber kukkuda ja vigastusi põhjustada.

Esmaabi

1. **Esmaabikomplekt peab olema alati käepärast.** Asendage kohe kõik vahendid, mille olete esmaabikomplektist ära tarvitanud.
2. **Kui kutsute abi, teatage järgmised andmed:**
 - õnnetuse toimumise koht;
 - õnnetuse kirjeldus;
 - vigastatud isikute arv;
 - vigastuste iseloom;
 - oma nimi.

Akukassetiga seotud olulised ohutusjuhised

1. Enne akukassetti kasutamist lugege (1) akulaadijal, (2) akul ja (3) seadmel olevad juhtnöörid ja hoiatused läbi.
2. **Ärge võtke akukassetti lahti.**
3. **Kui tööaeg järsult lüheneb, siis lõpetage kohe kasutamine.** Edasise kasutamise tulemuseks võib olla ülekuumenemisoht, võimalikud põletused või isegi plahvatus.

4. **Kui elektrolüüti satub silma, siis loputage silma puhta veega ja pöörduge koheselt arsti poole.** Selline õnnetus võib põhjustada pimedaksjäämist.

5. **Ärge tekitage akukassetti lühist:**
 - (1) **Ärge puutuge klemme elektrijuhtidega.**
 - (2) **Ärge hoidke akukassetti tööriistakastis koos metalliesemetega, nagu naelad, mündid jne.**
 - (3) **Ärge tehke akukassetti märjaks ega jätke seda vihma kätte.****Aku lühis võib põhjustada tugevat elektrivoolu, ülekuumenemist, põletusi ning ka seadet tõsiselt kahjustada.**
6. **Ärge hoidke tööriista ja akukassetti kohtades, kus temperatuur võib tõusta üle 50 °C.**
7. **Ärge põletage akukassetti isegi siis, kui see on saanud tõsiselt vigastada või on täiesti kulu- nud.** Akukassett võib tules plahvatada.
8. **Olge ettevaatlik, ärge laske akul maha kukkuda ja vältige lööke.**
9. **Ärge kasutage kahjustatud akut.**

10. **Sisalduvatele liitium-ioonakudele võivad kohalduda ohtlike kaupade õigusaktide nõuded.** Kaubanduslikul transportimisel, näiteks kolmanda poolte või transpordiettevõtete poolt, tuleb järgida pakendil ja siltidel toodud erinõudeid. Transportimiseks ettevalmistamisel on vajalik pidada nõu ohtliku materjali eksperdigiga. Samuti tuleb järgida võimalike riiklike regulatsioonide üksikasjalikumaid nõudeid. Katke teibiga või varjake avatud kontaktid ja pakendage aku selliselt, et see ei saaks pakendis liikuda.
11. **Kasutusõlmatuks muutunud akukassetti kõrvaldamiseks eemaldage see tööriistast ja viige selleks ette nähtud kohta.** Järgige kasutusõlmatuks muutunud aku kõrvaldamisel kohalikke eeskirju.
12. **Kasutage akusid ainult Makita heaks kiidetud toodetega.** Akude paigaldamine selleks mitte ettenähtud toodetele võib põhjustada süttimist, ülemäärast kuumust, plahvatamist või elektrolüüdi lekkimist.
13. **Kui tööriista ei kasutata pika ajaperioodi jooksul, tuleb aku tööriistast eemaldada.**

HOIDKE JUHEND ALLES.

⚠ETTEVAATUST: Kasutage ainult Makita originaalakusid. Mitte Makita originaalakude või muudetud akude kasutamine võib põhjustada akude süttimise, kehavigastuse ja kahjustuse. Samuti muudab see kehtetuks Makita tööriista ja laadija Makita garantii.

Vihjeid aku maksimaalse kasutisaja tagamise kohta

1. **Laadige akukassetti enne selle täielikku tühjenemist.** Kui märkate, et tööriist töötab väiksema võimsusega, peatage töö ja laadige akukassetti.
2. **Ärge laadige täielikult laetud akukassetti.** Ülelaadimine lühendab akude kasutisega.
3. **Laadige akukassetti toatemperatuuril 10 °C - 40 °C.** Enne laadimist laske kuumenenud akukassetil maha jahtuda.
4. **Kui te ei kasuta akukassetti kauem kui kuus kuud, laadige see.**

OSADE KIRJELDUS

► Joon.4

1	Kiirusnäidik	2	Automaatse pöördemendi ajamitehnoloogia märgutuli	3	Märgutuli	4	Toitenupp
5	Suunamuutmisnupp	6	Akukassett	7	Lahtilukustuse hoob	8	Lüliti päästik
9	Riputi	10	Käepide	11	Tõke (riigikohane)	12	Kaitsekate
13	Lukustushoob (ainult DUR191U ja DUR191L)	14	Ühenduse kate (ainult DUR191U ja DUR191L)	15	Kork (ainult DUR191U ja DUR191L)	16	Kandevöö

FUNKTSIONAALNE KIRJELDUS

▲HOIATUS: Kandke alati hoolt selle eest, et tööriist oleks enne reguleerimist ja kontrollimist välja lülitatud ja akukassett eemaldatud. Kui jätta tööriist välja lülitamata ja akukassett eemaldamata, võib tööriista juhuslik käivitumine põhjustada raske kehavigastuse.

Akukasseti paigaldamine või eemaldamine

▲ETTEVAATUST: Lülitage tööriist alati enne akukasseti paigaldamist või eemaldamist välja.

▲ETTEVAATUST: Akukasseti paigaldamisel või eemaldamisel tuleb tööriista ja akukassetti kindlalt paigal hoida. Kui tööriista ja akukassetti ei hoita kindlalt paigal, võivad need käest libiseda ning kahjustada tööriista ja akukassetti või põhjustada kehavigastusi.

► Joon.5: 1. Punane näidik 2. Nupp 3. Akukassett

Akukasseti eemaldamiseks libistage see tööriista küljest lahti, vajutades kasseti esiküljel paiknevat nuppu alla.

Akukasseti paigaldamiseks joondage akukasseti keel korpuse soonega ja libistage kassett oma kohale. Paigaldage akuadapter alati nii kaugele, et see lukustuks klõpsatusega oma kohale. Kui näete nupu ülaosas punast osa, pole kassett täielikult lukustunud.

▲ETTEVAATUST: Paigaldage akukassett alati täies ulatuses nii, et punast osa ei jääks näha. Muidu võib adapter juhuslikult tööriistast välja kukkuda ning põhjustada teile või läheduses viibivatele isikutele vigastusi.

▲ETTEVAATUST: Ärge rakendage akukasseti paigaldamisel jõudu. Kui kassett ei lähe kergesti sisse, pole see õigesti paigaldatud.

Tööriista/aku kaitsesüsteem

Tööriistal on tööriista/aku kaitsesüsteem. Süsteem lülitab mootori automaatselt välja, et pikendada tööriista ja aku tööiga. Tööriist seiskub käitamise ajal automaatselt järgmistel tingimustel.

Värv	Märgutuli		Olek
	● Põleb	● Vilgub	
Punane	●	●	Ülekoormus
Punane	●	●	Ülekuumenemine
Punane	●	●	Ületühjenemine

Ülekoormuskaitse

Kui tööriistaga juhtub üks kirjeldatud olukordadest, peatub tööriist automaatselt ja märgutuli hakkab punaselt vilkuma:

- tööriist on ülekoormatud kas takerdunud umbrohu või muu prahi tõttu;
- Lõikeriist on lukustunud või andnud tagasilöögi.
- toitenupp on lüliti päästiku tõmbamise ajal sisse lülitatud.

Sellises olukorras vabastage lüliti päästik ja eemaldage vajaduse korral takerdunud umbrohi või prahi. Seejärel vajutage jätkamiseks uuesti lüliti päästikut.

▲ETTEVAATUST: Kui peate takerdunud umbrohu tööriistast eemaldama või vabastama lukustunud lõikeriista, lülitage tööriist enne alustamist kindlasti välja.

Tööriista/aku ülekuumenemiskaitse

Kui tööriist või akukassett on üle kuumenenud, seiskub tööriist automaatselt. Tööriista või akukasseti ülekuumenemisel kiirusnäidik ja ADT-märgutuli kustuvad ning märgutuli hakkab punaselt vilkuma. Laske tööriistal ja/ või akul maha jahtuda, enne kui tööriista uuesti sisse lülitate.

Ülelaadimiskaitse

Kui aku laetuse tase on madal, siis seiskub tööriist automaatselt. Kiirusnäidik ja ADT-märgutuli kustuvad ning märgutuli hakkab punaselt vilkuma.

Kui tööriist ei hakka tööle ka lülitate kasutamisel, eemaldage tööriistast tühjenenud akukassett ja laadige seda.

Aku jääkmahutavuse näit

Ainult näidikuga akukassetidele

► **Joon.6:** 1. Märkulambid 2. Kontrollimise nupp

Akukasseti järelejäänud mahutavuse kontrollimiseks vajutage kontrollimise nuppu. Märkulambid süttivad mõneks sekundiks.

Märkulambid			Jääkmahutavus
Pöleb	Ei põle	Vilgub	
■	□	◐	75 - 100%
■	■	■	50 - 75%
■	■	□	25 - 50%
■	□	□	0 - 25%
◐	□	□	Laadige akut.
■	■	□	Akul võib olla tõrge.
□	□	■	

MÄRKUS: Näidatud mahutavus võib veidi erineda tegelikust mahutavusest olenevalt kasutustingimustest ja ümbritseva keskkonna temperatuurist.

Toitelüliti

Tööriista sisselülitamiseks vajutage toitenuppu. Tööriista väljalülitamiseks hoidke toitenuppu all, kuni kiiruse märgutuli kustub.

► **Joon.7:** 1. Kiirusnäidik 2. Toitenupp

MÄRKUS: Seade lülitub automaatselt välja, kui seda mingi aja jooksul ei kasutata.

Lüliti funktsioneerimine

▲HOIATUS: Kontrollige alati enne akukasseti tööriista külge paigaldamist, kas lüliti päästik funktsioneerib nõuetekohaselt ja liigub lahtilaskmisel tagasi väljalülitatud asendisse. Tööriista juhtimine lüliti abil, mis ei toimi korralikult, võib kaasa tuua kontrolli kaotamise sae üle ja põhjustada tõsiseid vigastusi.

▲ETTEVAATUST: Ärge asetage kandmise ajal oma sõrme lülitele. Tööriist võib tahtmatult käivituda ja põhjustada vigastuse.

Lüliti päästiku juhusliku tõmbamise vältimiseks on tööriistal lahtilukustuse hoob. Tööriista käivitamiseks haarake juhtraust (haaramine vabastab lahtilukustuse hoova) ja vajutage seejärel päästikülilitit. Tööriista seiskamiseks vabastage päästikülilitit.

DUR190U ja DUR191U

► **Joon.8:** 1. Lahtilukustuse hoob 2. Lüliti päästik

DUR190L ja DUR191L











► **Joon.9:** 1. Lahtilukustuse hoob 2. Lüliti päästik

MÄRKUS: Tööriist lülitub automaatselt välja, kui sellega pole teatud aja jooksul tehtud ühtegi toimingut.

Kiiruse reguleerimine

Tööriista kiiruse valimiseks tuleb puudutada kergelt toitenuppu. Iga kord, kui koputate peatoitenuppu, muutub kiiruse tase.

► **Joon.10:** 1. Kiirusnäidik 2. Toitenupp 3. Automaatse pöördemomendi ajamitehnoloogia märgutuli

Kiirusnäidik	Režiim	Pöörlemiskiirus
	ADT	3 500 - 6 000 min ⁻¹
3  2  1 	Kõrge	6 000 min ⁻¹
3  2  1 	Keskmine	5 100 min ⁻¹
3  2  1 	Aeglane	3 500 min ⁻¹

MÄRKUS: ADT (automaatne pöördemomendi ajamitehnoloogia) seadistamisel lülitub ADT märgutuli sisse ning tööriist töötab niitmise ajal optimaalsel pöörlemiskiirusel ja pöördemomendil.

Suunamuutmisnupp prahi eemaldamiseks

▲HOIATUS: Lülitage tööriist välja ja eemaldage akukassett enne, kui hakkate eemaldama tööriista külge takerdunud umbrohtu või muud prahti, mida tagurpidi pöörlemise funktsioon ei suuda eemaldada. Kui jätta tööriist välja lülitamata ja akukassett eemaldamata, võib tööriista juhuslik käivitumine põhjustada raske kehavigastuse.

Sellel tööriistal on suunamuutmisnupp, millega saab muuta pöörlemise suunda. See on ette nähtud ainult tööriista külge takerdunud umbrohtude ja prahi eemaldamiseks.

Pöörlemissuuna muutmiseks puudutage suunamuutmisnuppu ja vajutage samal ajal lüliti päästikut ja lukustushooba, kui lõikeriist on seiskunud. Lüliti päästiku vajutamisel hakkavad kiirusnäidikud ja ADT märgutuli vilkuma ning lõikeriist pöörleb vastupidises suunas. Tavalise pöörlemise taastamiseks vabastage päästik ja oodake, kuni lõikeriist on seiskunud.

► **Joon.11:** 1. Kiirusnäidik 2. Automaatse pöördemomendi ajamitehnoloogia märgutuli 3. Suunamuutmisnupp

MÄRKUS: Tööriist töötab vastupidises suunas ainult lühikest aega ja lülitub seejärel automaatselt välja.

MÄRKUS: Kui käivitate tööriista pärast seiskumist uuesti, hakkab see pöörlema tavalises suunas.

MÄRKUS: Kui vajutate suunamuutmisnuppu ajal, kui lõikeriist veel pöörleb, siis tööriist seiskub ja on seejärel valmis pöörlemiseks vastupidises suunas.

Elektriline pidur

Tööriistal on elektriline pidur. Kui tööriist ei peatu järjepidevalt kohe pärast lüliti hoova vabastamist, viige see hoolduseks meie teeninduskeskusesse.

⚠ETTEVAATUST: See pidurussüsteem ei asenda tera kaitsekate. Ärge kunagi kasutage tööriista ilma kaitsekatteta. Kaitsekatteta lõikeriista kasutamine võib põhjustada raskeid kehavigastusi.

KOKKUPANEK

⚠HOIATUS: Kandke alati hoolt selle eest, et tööriist oleks enne selle reguleerimist välja lülitatud ning akukassett eemaldatud. Kui jätta tööriist välja lülitamata ja akukassett eemaldamata, võib tööriista juhuslik käivitamine põhjustada raske kehavigastuse.

⚠HOIATUS: Ärge käivitage kunagi tööriista, kui see pole täielikult monteeritud. Osaliselt monteeritud tööriista juhuslik käivitamine võib põhjustada tõsisid kehavigastusi.

Juhtraua paigaldamine

Ainult mudelitele DUR190U ja DUR191U

1. Paigaldage juhtraua vars käepidemesse. Seadke käepidemes olev kruvi auk kohakuti varres oleva kruvi auguga. Keerake kruvi tugevasti kinni.

► **Joon.12:** 1. Käepide 2. Kruvi 3. Juhtraud

2. Asetage juhtraud juhtraua klambri ja hoidiku vahele. Reguleerige juhtraud sellise nurga alla, mis tagab mugava tööasendi, ja kinnitage seejärel kuuskant-pesapeapoltidega.

► **Joon.13:** 1. Kuuskant-pesapeapolt 2. Juhtraua klamber 3. Käepideme hoidik

Tõkke kinnitamine

Mudelitele DUR190L ja DUR191L

Kui mudelil on tõke, kinnitage see tõkkel asuva kruviga käepidemele.

► **Joon.14:** 1. Tõke 2. Kruvi

⚠ETTEVAATUST: Pärast tõkke paigaldamist ärge seda eemaldage. Tõke toimib ohutusseadmena, et takistada teie kokkupuudet lõiketeraga.

Liitetoru monteerimine

Ainult mudelitele DUR191U ja DUR191L

Kinnitage liitetoru mootorseadmele.

1. Pöörake hooba joonisel noolega näidatud suunas.
► **Joon.15:** 1. Hoob

2. Tõmmake ühenduse kate üles ja sisestage liitetoru, viies samal ajal omavahel kohakuti toru (lõikeriista poolne külg) eendi ja ühenduse nõgusa osa.

► **Joon.16:** 1. Lukustushoob 2. Ühenduse kate 3. Toru

Veenduge, et lukustushoova pind oleks toru suhtes paralleelne.

3. Pöörake hooba joonisel noolega näidatud suunas.
► **Joon.17:** 1. Hoob

Toru eemaldamiseks pöörake hooba joonisel noolega näidatud suunas ja tõmmake toru välja, vajutades samal lukustushooba alla.

► **Joon.18:** 1. Hoob 2. Lukustushoob 3. Toru

Kaitsekatte paigaldamine

⚠HOIATUS: Ärge kunagi kasutage tööriista, kui selle kaitsekate pole joonisel näidatud kohas. Selle nõude eiramine võib põhjustada raske kehavigastuse.

⚠ETTEVAATUST: Olge ettevaatlik, et te ei vigastaks end nailonjõhvi lõikamise teraga.

Kinnitage kaitsekate poltide abil klambri külge.

► **Joon.19:** 1. Klamber 2. Kaitsekate 3. Lõikur

Lõikeriista paigaldamine

MÄRKUS: Põhitarvikuna tarnitud lõikeriista(de) tüüp varieerub olenevalt riikidest. Mõnes riigis ei ole lõikeriist lisatud.

MÄRKUS: Keerake tööriist tagurpidi, et saaksite lõikeriista lihtsamalt vahetada.

Lõiketera

⚠ETTEVAATUST: Lõiketera käsitlemisel kandke alati kindaid ja pange terale kaitsekate.

⚠ETTEVAATUST: Lõiketera peab olema hästi lihvitud ja sellel ei tohi olla pragusid ega murdumiskohti. Kui lõiketera põrkub töötamise ajal vastu kivi, jätke tööriist kohe seisma ja kontrollige lõiketera.

⚠ETTEVAATUST: Kasutage alati tehniliste andmete jaotises kirjeldatud läbimõõduga lõiketera.

► **Joon.20:** 1. Mutter 2. Kate 3. Klamberseib 4. Lõiketera 5. Võll 6. Piire 7. Võlliluku nupp

1. Paigaldage lõiketera piirdele nii, et lõiketeral ja kaitsekattel olevad nooled oleksid samas suunas.

► **Joon.21:** 1. Nool

2. Pange klamberseib ja kate lõiketerale.

3. Pingutage otsvõtmega mutrit, hoides völliuku nuppu all.

- **Joon.22:** 1. Völliuku nupp 2. Otsvõti
3. Lõdvendamine 4. Pingutamine

Lõiketera eemaldamiseks lõdvendage mutter, hoides völliuku nuppu all.

Nailonist lõikepea

TÄHELEPANU: Kasutage kindlasti originaalset Makita nailonist lõikepead.

Paigaldage nailonist lõikepea völliuku nuppu all hoides otse völliile ja kinnitage see käega.

- **Joon.23:** 1. Nailonist lõikepea 2. Völli 3. Völliuku nupp 4. Lõdvendamine 5. Pingutamine

Nailonist lõikepea eemaldamiseks lõdvendage nailonist lõikepea, hoides völliuku nuppu all.

Plastist lõiketera

TÄHELEPANU: Kasutage kindlasti originaalset Makita plastist lõiketera.

Paigaldage plastist lõiketera völliuku nuppu all hoides otse völliile ja kinnitage see käega.

- **Joon.24:** 1. Plastist lõiketera 2. Völli 3. Völliuku nupp 4. Lõdvendamine 5. Pingutamine

Plastist lõiketera eemaldamiseks lõdvendage plastist lõiketera, hoides völliuku nuppu all.

MÄRKUS: Lõikeriista paigaldamiseks/eemaldamiseks võite kasutada komplekti kuuluvat kuuskantvõtit. Sisestage kuuskantvõti völli lukustamiseks joonisel näidatud viisil läbi ava.

- **Joon.25:** 1. Kuuskantvõti 2. Ava

⚠ETTEVAATUST: Kasutage lõikeriista paigaldamiseks/eemaldamiseks alati komplekti kuuluvaid mutrivõtmeid.

⚠ETTEVAATUST: Pärast lõikeriista paigaldamist eemaldage kindlasti tööriista peasse sisestatud kuuskantvõti.

Juhtraua/riputi asendi reguleerimine

Reguleerige juhtraua ja riputi asendit tööriista mugava kasutusasendi saavutamiseks.

Mudelitele DUR190U ja DUR191U

Reguleerige juhtraua/riputi asendit nii, et tööriist oleks allpool näidatud ulatuses.

- **Joon.26**

1	Riputi asend maapinnast
2	Lõikeriista asend maapinnast
3	Horisontaalne kaugus riputi ja lõikeriista kaitsmata osa vahel

Lõdvendage juhtraua hoidiku all asuvaid kuuskant-pesapeapolt. Viige juhtraud mugavasse tööasendisse ja pingutage uuesti poldid.

- **Joon.27:** 1. Juhtraua hoidik 2. Kuuskant-pesapeapolt 3. Juhtraud

Lõdvendage riputil asuvad kuuskant-pesapeapoldid. Viige riputi mugavasse tööasendisse ja pingutage uuesti poldid.

- **Joon.28:** 1. Kuuskant-pesapeapolt 2. Riputi

Mudelitele DUR190L ja DUR191L

Lõdvendage juhtraual asuvad kuuskant-pesapeapoldid. Viige juhtraud mugavasse tööasendisse ja pingutage uuesti poldid.

- **Joon.29:** 1. Kuuskant-pesapeapolt 2. Juhtraud

Lõdvendage riputil asuv kuuskant-pesapeapolt. Viige riputi mugavasse tööasendisse ja pingutage uuesti polti.

- **Joon.30:** 1. Kuuskant-pesapeapolt 2. Riputi

Kuuskantvõtme hoiepanek

Kui kuuskantvõtit ei kasutata, pange see kaotamise vältimiseks joonisel näidatud viisil hoiele.

- **Joon.31:** 1. Kuuskantvõti

Ainult mudelitele DUR190L ja DUR191L

- **Joon.32:** 1. Juhtraud 2. Kuuskantvõti

TÖÖRIISTA KASUTAMINE

Kandevöö kinnitamine

⚠ETTEVAATUST: Kasutage alati seadme külge kinnitatud kandevööd. Väsimuse vältimiseks reguleerige kandevööd enne töötamise algust.

⚠ETTEVAATUST: Enne kasutamist veenduge, et kandevöö oleks tööriista riputi külge õigesti kinnitatud.

Ühendage õlarakmete haak riputisse ja pange õlarakmed selga. Veenduge, et õlarakmed hoiaksid kindlalt tööriista.

DUR190U ja DUR191U

- **Joon.33:** 1. Haak 2. Riputi

DUR190L ja DUR191L

- **Joon.34:** 1. Haak 2. Riputi

Lahutamine

Õlarakmed on varustatud kiirvabastusmehhanismiga.

DUR190U ja DUR191U

- **Joon.35:** 1. Riba

Tõmmake ribast, et vabastada tööriist õlarakmetest.

DUR190L ja DUR191L

- **Joon.36:** 1. Pannal

Tööriista õlarakmetest vabastamiseks vajutage lihtsalt pandla külgedele.

Tööriista õige käsitsemine

⚠️HOIATUS: Hoidke tööriista alati oma parempoolisel küljel. Tööriista õige asend võimaldab seda maksimaalselt kontrollida ja vähendab tagasilöögi korral raske kehalise vigastuse ohtu.

⚠️HOIATUS: Olge äärmiselt ettevaatlik ja tagage tööriista üle alati kontroll. Ärge laske tööriistal kalduda enda ega kellegi teise läheduses viibiva isiku poole. Kontrolli kaotamine tööriista üle võib põhjustada kõrvalseisjale ja operaatorile tõsise kehavigastuse.

⚠️HOIATUS: Õnnetuste vältimiseks jätke operaatorite vahele vähemalt 15 m (50 jalad) vaba ruumi, kui samas piirkonnas töötavad korraga kaks või mitu operaatorit. Samuti laske ühel isikul jälgida kõrvalt operaatorite vahelisest kaugusest kinnipidamist. Kui keegi või mõni loom siseneb tööpiirkonda, lõpetage kohe töötamine.

⚠️ETTEVAATUST: Kui löikeriist põrkab töötamise ajal vastu kivi või muud kõva eset, siis seisake tööriist ja kontrollige seda võimalike vigastuste suhtes. Kui löikeriist on kahjustunud, siis vahetage see kohe välja. Kahjustunud löikeriista kasutamine võib põhjustada raskeid kehavigastusi.

⚠️ETTEVAATUST: Niitmisel eemaldage löiketera terakate.

Tööriista õige asend ja käsitsemine võimaldavad seda maksimaalselt kontrollida ning vähendada tagasilöögi korral kehalise vigastuse ohtu.

DUR190U ja DUR191U

► Joon.37

DUR190L ja DUR191L

► Joon.38

Nailonist löikepea kasutamine (tõuke- ja etteandetüüp)

Nailonist löikepea on kahe jõhviga trimmeripea, millel on tõuke- ja etteandemehhanism.

Nailonjõhvi etteandmiseks koputage löikepead vastu maad, lastes sellel samal ajal pöörduda.

► Joon.39: 1. Kõige efektiivsem löikepiirkond

TÄHELEPANU: Tõuke- ja etteandemehhanism ei tööta korralikult, kui nailonist löikepea ei pöörle.

MÄRKUS: Kui nailonjõhvi ei õnnestu pea koputamisega välja kerida, siis kerige nailonjõhv tagasi / asendage nailonjõhv nii, nagu on kirjeldatud peatükis „Hooldus“.

HOOLDUS

⚠️HOIATUS: Kandke alati hoolt selle eest, et tööriist oleks enne selle kontrollimist või hooldust välja lülitatud ja akukassett eemaldatud. Kui jätta tööriist välja lülitamata ja akukassett eemaldamata, võib tööriista juhuslik käivitumine põhjustada raske kehavigastuse.

TÄHELEPANU: Ärge kunagi kasutage bensiini, vedeldit, alkoholi ega midagi muud sarnast. Selle tulemuseks võib olla luitumine, deformatsioon või pragunemine.

Toote OHUTUSE ja TÖÖKINDLUSE tagamiseks tuleb vajalikud remonttööd ning muud hooldus- ja reguleerimistööd lasta teha Makita volitatud teeninduskeskustes või tehase teeninduskeskustes. Alati tuleb kasutada Makita varuosi.

Nailonjõhvi asendamine

⚠️HOIATUS: Kasutage ainult kasutusjuhendis kirjeldatud läbimõõduga nailonjõhvi. Ärge kunagi kasutage metallist traati, trossi ega midagi muud sarnast. Selle nõude eiramise tagajärg võib olla seadme kahjustamine, mis võib põhjustada tõsiseid kehavigastusi.

⚠️HOIATUS: Nailonjõhvi asendamisel eemaldage alati nailonist löikepea tööriista küljest.

⚠️HOIATUS: Veenduge, et nailonist löikepea kate oleks kere külge õigesti kinnitatud, nagu on kasutusjuhendis kirjeldatud. Nõuetekohaselt kinnitamata kate võib põhjustada nailonist löikepea vallandumise seadme küljest ja eemalepaismise, mille tagajärjeks võib olla tõsine kehavigastus.

Kui jõhvi enam ette ei anta, pange seadmesse uus nailonjõhv. Nailonjõhvi asendamise meetod on leitud nailonist löikepea tüübist.

95-M10L

► Joon.40

Plastist löiketera vahetamine

Vahetage plastist löiketera välja, kui see on kulunud või purunenud.

► Joon.41

Plastist löiketera paigaldamisel joondage noole suund löiketeral kaitsega.

► Joon.42: 1. Kaitsmel olev nool 2. Löiketeral olev nool

VEAOTSING

Enne remonditöökotta pöördumist kontrollige niidukit ise. Ärge üritage niidukit lahti võtta, kui leiata probleemi, mida kasutusjuhendis ei kirjeldata. Selle asemel pöörduge Makita volitatud teeninduskeskusesse, kus kasutatakse remontimisel alati Makita tagavaraosi.

Tõrge	Võimalik põhjus (riike)	Lahendus
Mootor ei tööta.	Akukassett ei ole paigaldatud.	Paigaldage akukassett.
	Akuga seotud probleem (alapinge)	Laadige aku. Kui laadimine ei anna tulemust, vahetage aku välja.
	Veosüsteem ei tööta korralikult.	Paluge volitatud teeninduskeskuses teha parandustööd.
Mootor seiskub pärast lühiajalist töötamist.	Aku laetustase on madal.	Laadige aku. Kui laadimine ei anna tulemust, vahetage aku välja.
	Ülekuumenemine.	Lõpetage tööriista kasutamine ja laske sel maha jahtuda.
Seade ei saavuta maksimaalset pöörlemiskiirust.	Aku ei ole õigesti paigaldatud.	Paigaldage akukassett juhendis kirjeldatud viisil.
	Aku võimsus langeb.	Laadige aku. Kui laadimine ei anna tulemust, vahetage aku välja.
	Veosüsteem ei tööta korralikult.	Paluge volitatud teeninduskeskuses teha parandustööd.
Lõikeseade ei pöörle: ⇒ seisake masin viivitamatult!	Oks vms kõrvaline ese on terakaitse ja lõikeriista vahele kinni jäänud.	Eemaldage kõrvaline ese.
	Veosüsteem ei tööta korralikult.	Paluge volitatud teeninduskeskuses teha parandustööd.
Ebatavaline vibratsioon: ⇒ seisake masin viivitamatult!	Nailonjõhvi üks ots on purunenud.	Jõhvi etteandmiseks koputage pöörlevat nailonist lõikepead vastu maapinda.
	Veosüsteem ei tööta korralikult.	Paluge volitatud teeninduskeskuses teha parandustööd.
Lõikeriist ja mootor ei seisku: ⇒ eemaldage viivitamatult aku!	Elektri- või elektroonikarike.	Eemaldage aku ja paluge kohalikul ametikul teeninduskeskusel tööriist remontida.

VALIKULISED TARIKUD

⚠ HOIATUS: Kasutage ainult juhendis nimetatud soovitatud tarvikuid või lisaseadmeid. Muude tarvikute või lisaseadmete kasutamine võib lõppeda tõsise vigastusega.

⚠ ETTEVAATUST: Neid tarvikuid ja lisaseadiseid on soovitatav kasutada koos Makita tööriistaga, mille kasutamist selles kasutusjuhendis kirjeldatakse. Muude tarvikute ja lisaseadiste kasutamisega kaasneb vigastada saamise oht. Kasutage tarvikuid ja lisaseadiseid ainult otstarbekohaselt.

Saate vajaduse korral kohalikust Makita teeninduskeskusest lisateavet nende tarvikute kohta.

- Lõiketera
- Nailonist lõikepea
- Nailonjõhv (lõikejõhv)
- Plastist lõiketera
- Makita algupärane aku ja laadija

MÄRKUS: Mõned nimekirjas loetletud tarvikud võivad kuuluda standardvarustusse ning need on lisatud tööriista pakendisse. Need võivad riigiti erineda.

ТЕХНИЧЕСКИЕ ХАРАКТЕРИСТИКИ

Модель:		DUR190U	DUR190L	DUR191U	DUR191L
Тип рукоятки		Дугообразная рукоятка	Кольцевая рукоятка	Дугообразная рукоятка	Кольцевая рукоятка
Число оборотов без нагрузки		3: 6 000 мин ⁻¹ 2: 5 100 мин ⁻¹ 1: 3 500 мин ⁻¹			
Общая длина (без режущего узла)		1 775 мм			
Диаметр нейлонового шнура		2,0–2,4 мм			
Применяемый режущий узел и диаметр резания	Режущий элемент с 3 зубцами (номер изделия 191J34-5)	230 мм			
	4-зубый нож (номер изделия 729025-2)	230 мм			
	Нейлоновая режущая головка (номер изделия 126674-0)	300 мм			
	Пластмассовый нож (номер изделия 126642-3)	230 мм			
Номинальное напряжение		18 В пост. тока			
Масса нетто		3,1 - 3,4 кг	2,9 - 3,2 кг	3,4 - 3,7 кг	3,2 - 3,5 кг

- Благодаря нашей постоянно действующей программе исследований и разработок указанные здесь технические характеристики могут быть изменены без предварительного уведомления.
- Технические характеристики могут различаться в зависимости от страны.
- Масса может отличаться в зависимости от дополнительного оборудования. Обратите внимание, что блок аккумулятора также считается дополнительным оборудованием. В таблице представлены комбинации с наибольшим и наименьшим весом в соответствии с процедурой ЕРТА 01/2014.

Подходящий блок аккумулятора и зарядное устройство

Блок аккумулятора	BL1815N / BL1820 / BL1820B / BL1830 / BL1830B / BL1840 / BL1840B / BL1850 / BL1850B / BL1860B
Зарядное устройство	DC18RC / DC18RD / DC18RE / DC18SD / DC18SE / DC18SF / DC18SH

- В зависимости от региона проживания некоторые блоки аккумуляторов и зарядные устройства, перечисленные выше, могут быть недоступны.

⚠ОСТОРОЖНО: Используйте только перечисленные выше блоки аккумуляторов и зарядные устройства. Использование других блоков аккумуляторов и зарядных устройств может привести к травме и/или пожару.

Рекомендуемый переходник зарядного устройства

Переходник зарядного устройства	PDC01
---------------------------------	-------

- В некоторых регионах определенные модели переходника зарядного устройства, перечисленные выше, могут быть недоступны.
- Перед использованием переходника зарядного устройства прочтите инструкции и предупреждающие надписи на нем.

Модель DUR190U

Режущий узел	Уровень звукового давления (L_{pA}) дБ(А)		Уровень звуковой мощности (L_{WA}) дБ(А)		Применимый стандарт
	L_{pA} дБ (А)	Погрешность (К) дБ(А)	L_{WA} дБ (А)	Погрешность (К) дБ(А)	
4-зубый нож	77,0	3,9	91,6	2,4	ISO22868 (ISO11806-1)
Нейлоновая режущая головка	74,0	1,9	87,1	0,9	ISO22868 (ISO11806-1)/ EN50636-2-91
Пластмассовый нож	75,6	1,3	85,9	2,1	ISO22868 (ISO11806-1)/ EN50636-2-91

Модель DUR190L

Режущий узел	Уровень звукового давления (L_{pA}) дБ(А)		Уровень звуковой мощности (L_{WA}) дБ(А)		Применимый стандарт
	L_{pA} дБ (А)	Погрешность (К) дБ(А)	L_{WA} дБ (А)	Погрешность (К) дБ(А)	
4-зубый нож	77,0	3,9	91,6	2,4	ISO22868 (ISO11806-1)
Нейлоновая режущая головка	74,0	1,9	87,1	0,9	ISO22868 (ISO11806-1)/ EN50636-2-91
Пластмассовый нож	75,6	1,3	85,9	2,1	ISO22868 (ISO11806-1)/ EN50636-2-91

Модель DUR191U

Режущий узел	Уровень звукового давления (L_{pA}) дБ(А)		Уровень звуковой мощности (L_{WA}) дБ(А)		Применимый стандарт
	L_{pA} дБ (А)	Погрешность (К) дБ(А)	L_{WA} дБ (А)	Погрешность (К) дБ(А)	
4-зубый нож	77,0	3,9	91,6	2,4	ISO22868 (ISO11806-1)
Нейлоновая режущая головка	74,0	1,9	87,1	0,9	ISO22868 (ISO11806-1)/ EN50636-2-91
Пластмассовый нож	75,6	1,3	85,9	2,1	ISO22868 (ISO11806-1)/ EN50636-2-91

Модель DUR191L

Режущий узел	Уровень звукового давления (L_{pA}) дБ(А)		Уровень звуковой мощности (L_{WA}) дБ(А)		Применимый стандарт
	L_{pA} дБ (А)	Погрешность (К) дБ(А)	L_{WA} дБ (А)	Погрешность (К) дБ(А)	
4-зубый нож	77,0	3,9	91,6	2,4	ISO22868 (ISO11806-1)
Нейлоновая режущая головка	74,0	1,9	87,1	0,9	ISO22868 (ISO11806-1)/ EN50636-2-91
Пластмассовый нож	75,6	1,3	85,9	2,1	ISO22868 (ISO11806-1)/ EN50636-2-91

- Даже если указанный уровень звукового давления составляет 80 дБ(А) или менее, уровень шума при выполнении работ может превышать 80 дБ (А). Используйте средства защиты слуха.

ПРИМЕЧАНИЕ: Заявленное значение распространения шума измерено в соответствии со стандартной методикой испытаний и может быть использовано для сравнения инструментов.

ПРИМЕЧАНИЕ: Заявленное значение распространения шума можно также использовать для предварительных оценок воздействия.

⚠ОСТОРОЖНО: Используйте средства защиты слуха.

⚠ОСТОРОЖНО: Распространение шума во время фактического использования электроинструмента может отличаться от заявленного значения в зависимости от способа применения инструмента и в особенности от типа обрабатываемой детали.

⚠ОСТОРОЖНО: Обязательно определите меры безопасности для защиты оператора, основанные на оценке воздействия в реальных условиях использования (с учетом всех этапов рабочего цикла, таких как выключение инструмента, работа без нагрузки и включение).

Вибрация

Модель DUR190U

Режущий узел	Левосторонний		Правосторонний		Применимый стандарт
	$a_{h,w}$ (м/с ²)	Погрешность, К (м/с ²)	$a_{h,w}$ (м/с ²)	Погрешность, К (м/с ²)	
4-зубый нож	≤ 2,5	1,5	≤ 2,5	1,5	ISO22867 (ISO11806-1)
Нейлоновая режущая головка	≤ 2,5	1,5	≤ 2,5	1,5	ISO22867 (ISO11806-1)
Пластмассовый нож	≤ 2,5	1,5	≤ 2,5	1,5	ISO22867 (ISO11806-1)

Модель DUR190L

Режущий узел	Левосторонний		Правосторонний		Применимый стандарт
	$a_{h,w}$ (м/с ²)	Погрешность, К (м/с ²)	$a_{h,w}$ (м/с ²)	Погрешность, К (м/с ²)	
4-зубый нож	≤ 2,5	1,5	≤ 2,5	1,5	ISO22867 (ISO11806-1)
Нейлоновая режущая головка	≤ 2,5	1,5	≤ 2,5	1,5	ISO22867 (ISO11806-1)
Пластмассовый нож	≤ 2,5	1,5	≤ 2,5	1,5	ISO22867 (ISO11806-1)

Модель DUR191U

Режущий узел	Левосторонний		Правосторонний		Применимый стандарт
	$a_{h,w}$ (м/с ²)	Погрешность, К (м/с ²)	$a_{h,w}$ (м/с ²)	Погрешность, К (м/с ²)	
4-зубый нож	≤ 2,5	1,5	≤ 2,5	1,5	ISO22867 (ISO11806-1)
Нейлоновая режущая головка	≤ 2,5	1,5	≤ 2,5	1,5	ISO22867 (ISO11806-1)
Пластмассовый нож	≤ 2,5	1,5	≤ 2,5	1,5	ISO22867 (ISO11806-1)

Режущий узел	Левосторонний		Правосторонний		Применимый стандарт
	$a_{h,w}$ (м/с ²)	Погрешность, К (м/с ²)	$a_{h,w}$ (м/с ²)	Погрешность, К (м/с ²)	
4-зубый нож	≤ 2,5	1,5	≤ 2,5	1,5	ISO22867 (ISO11806-1)
Нейлоновая режущая головка	≤ 2,5	1,5	≤ 2,5	1,5	ISO22867 (ISO11806-1)
Пластмассовый нож	≤ 2,5	1,5	≤ 2,5	1,5	ISO22867 (ISO11806-1)

ПРИМЕЧАНИЕ: Заявленное общее значение распространения вибрации измерено в соответствии со стандартной методикой испытаний и может быть использовано для сравнения инструментов.

ПРИМЕЧАНИЕ: Заявленное общее значение распространения вибрации можно также использовать для предварительных оценок воздействия.

⚠ ОСТОРОЖНО: Распространение вибрации во время фактического использования электроинструмента может отличаться от заявленного значения в зависимости от способа применения инструмента и в особенности от типа обрабатываемой детали.

⚠ ОСТОРОЖНО: Обязательно определите меры безопасности для защиты оператора, основанные на оценке воздействия в реальных условиях использования (с учетом всех этапов рабочего цикла, таких как выключение инструмента, работа без нагрузки и включение).

СИМВОЛЫ

Ниже приведены символы, используемые для обозначения. Перед использованием убедитесь, что вы понимаете их значение.

	Обратите особое внимание.
	Прочитайте руководство по эксплуатации.
	Соблюдайте дистанцию не менее 15 м.
	Опасность! Возможен разлет твердых предметов.
	Внимание, отдача!
	Надевайте каску, защитные очки и используйте средства защиты слуха.
	Использовать защитные перчатки.
	Обувайте прочные ботинки с нескользящими подошвами. Рекомендуется использовать защитную обувь со стальными подносками.
	Бережь от влаги.



Ni-MH
Li-Ion

Только для стран ЕС
Не выбрасывайте электрооборудование или аккумуляторы вместе с бытовым мусором! В соответствии с европейскими директивами об утилизации электрического и электронного оборудования, о батареях и аккумуляторах, а также использованных батареях и аккумуляторах и их применении в соответствии с местными законами электрооборудование, батареи и аккумуляторы, срок эксплуатации которых истек, должны утилизироваться отдельно и передаваться для утилизации на предприятие, соответствующее применяемым правилам охраны окружающей среды.

Декларация о соответствии ЕС

Только для европейских стран

Декларация о соответствии ЕС включена в руководство по эксплуатации (Приложение А).

МЕРЫ БЕЗОПАСНОСТИ

Общие рекомендации по технике безопасности для электроинструментов

⚠ ОСТОРОЖНО: Ознакомьтесь со всеми представленными инструкциями по технике безопасности, указаниями, иллюстрациями и техническими характеристиками, прилагаемыми к данному электроинструменту. Несоблюдение каких-либо инструкций, указанных ниже, может привести к поражению электрическим током, пожару и/или серьезной травме.

Сохраните брошюру с инструкциями и рекомендациями для дальнейшего использования.

Термин "электроинструмент" в предупреждениях относится ко всему инструменту, работающему от сети (с проводом) или на аккумуляторах (без провода).

Важные правила техники безопасности при работе с инструментом

▲ОСТОРОЖНО: Ознакомьтесь со всеми инструкциями и рекомендациями по технике безопасности. Невыполнение инструкций и рекомендаций может привести к поражению электрическим током, пожару и/или тяжелым травмам.

Сохраните брошюру с инструкциями и рекомендациями для дальнейшего использования.

Назначение

1. Этот инструмент предназначен только для скашивания травы, сорняков, обрезки кустов и поросли. Запрещено использовать инструмент для других целей, например для обрезки краев и подрезания живой изгороди, поскольку это может привести к травме.

Общие указания

1. Не допускайте использования этого инструмента лицами, не ознакомленными с этими инструкциями, лицами (включая детей) с ограниченными физическими, сенсорными или умственными способностями, а также не имеющими надлежащего опыта и знаний. Не допускайте использования этого инструмента маленькими детьми в качестве игрушки.
2. Перед началом работы прочтите это руководство по эксплуатации для ознакомления с порядком работы с инструментом.
3. Не передавайте инструмент во временное пользование лицам с недостаточным опытом или знаниями в отношении работы с кусторезами и электрокосами.
4. Обязательно передавайте вместе с инструментом и руководство по эксплуатации.
5. При обращении с инструментом будьте предельно осторожны и внимательны.
6. Запрещено использовать инструмент в состоянии алкогольного или наркотического опьянения, в случае усталости или болезни.
7. Запрещено вносить изменения в конструкцию инструмента.
8. При работе с кусторезами и электрокосами соблюдайте требования нормативов, действующих в вашей стране.

Индивидуальные средства защиты

► Рис.1

1. Для защиты от разлетающихся частиц и падающих предметов надевайте шлем, защитные очки и перчатки.
2. Используйте средства защиты органов слуха (например, наушники) во избежание потери слуха.
3. Для обеспечения безопасности работы надевайте соответствующую одежду и обувь (например, рабочий комбинезон и прочные ботинки с нескользящей подошвой). Не надевайте свободную одежду или украшения. Свободная одежда, украшения или длинные волосы могут попасть в движущиеся детали устройства.
4. При манипуляциях с режущим элементом надевайте защитные перчатки. Режущие элементы могут сильно поранить незащищенные руки.

Безопасность на рабочем месте

1. Используйте инструмент только в условиях хорошей видимости и естественного дневного освещения. Не используйте инструмент в темное время суток или в условиях тумана.
2. Не пользуйтесь инструментом во взрывоопасной атмосфере, например при наличии легко воспламеняющихся жидкостей, газов или пыли. При работе инструмента возникают искры, которые могут привести к воспламенению пыли или газов.
3. Во время работы с инструментом не стойте на неустойчивой или скользкой поверхности или крутых склонах. В холодное время года учитывайте наличие льда и снега и обеспечьте устойчивое положение.
4. Люди и животные не должны находиться в радиусе 15 м от работающего инструмента. Остановите инструмент, как только увидите, что кто-то подошел ближе.
5. Запрещено эксплуатировать устройство, если поблизости находятся люди (в особенности дети) или животные.
6. Перед началом работ убедитесь в отсутствии на рабочем участке камней или других твердых предметов. Они могут отлететь или привести к отдаче, что может стать причиной тяжелой травмы и/или повреждения имущества.
7. **▲ОСТОРОЖНО!** При использовании этого изделия может образовываться пыль, содержащая химические вещества. Она может вызвать раздражение дыхательных путей или прочие заболевания. Примером подобных химических веществ являются соединения, которые входят в состав пестицидов, инсектицидов, удобрений и гербицидов. Степень ущерба, наносимого вашему здоровью этими веществами, зависит от частоты выполнения такой работы. Для снижения воздействия таких химических веществ на ваш организм работайте в хорошо проветриваемом месте с использованием соответствующего защитного оборудования, такого как пылезастытные маски, которые могут задерживать микроскопические частицы.

Электробезопасность

1. **Не подвергайте инструмент воздействию дождя или влаги.** Попавшая в инструмент вода повышает опасность поражения электрическим током.
2. **Не используйте инструмент с неисправным выключателем.** Инструмент с неисправным выключателем представляет опасность и подлежит ремонту.
3. **Не допускайте случайного запуска. Прежде чем вставлять блок аккумулятора, поднимать или переносить инструмент, убедитесь в том, что переключатель находится в выключенном положении.** Если при переноске инструмента палец пользователя находится на выключателе или питание подается на инструмент с включенным выключателем, это может привести к несчастному случаю.
4. **Не бросайте аккумуляторные блоки в огонь.** Они могут взорваться. Уточните местные правила утилизации аккумуляторов.
5. **Не вскрывайте и не разбирайте аккумуляторы.** Содержащийся в них электролит очень едкий, вы можете повредить глаза или кожу. При проглатывании это вещество может вызвать отравление.
6. **Не заряжайте аккумулятор под дождем или в местах с повышенной влажностью.**

Начало работы

1. **Перед сборкой или регулировкой инструмента извлеките блок аккумулятора.**
2. **Перед манипуляциями с режущим элементом надевайте защитные перчатки.**
3. **Перед установкой блока аккумулятора убедитесь в отсутствии на инструменте повреждений, ослабленных винтов/гаек или неправильно установленных деталей. Заточите затупившийся режущий диск. Если режущий диск изогнут или поврежден, замените его. Проверьте плавность работы всех рычагов управления и переключателей. Очистите и протрите насухо рукоятки.**
4. **Категорически запрещается включать поврежденный или не полностью собранный инструмент.** Несоблюдение этой рекомендации может привести к тяжелой травме.
5. **Отрегулируйте плечевой ремень и ручку в соответствии с ростом и комплекцией оператора.**
6. **При установке блока аккумулятора следите за тем, чтобы режущий узел не касался земли, вашего тела и других объектов.** Он может повернуться при запуске и привести к травме или повреждению инструмента и/или имущества.
7. **Перед включением инструмента удалите регулировочный инструмент, ключ или защитный чехол режущего элемента.** Принадлежность, оставшаяся на вращающейся детали, может привести к травме.
8. **Режущий узел должен быть оснащен защитным кожухом. Запрещено включать инструмент, если кожух поврежден или отсутствует!**

9. **Убедитесь в отсутствии поблизости электрических проводов, водопроводных и газовых труб и других предметов, которые могут стать причиной опасной ситуации в случае их повреждения при использовании инструмента.**

Эксплуатация

1. **При возникновении экстренной ситуации немедленно выключите инструмент.**
2. **Если в процессе работы появился несвойственный шум или вибрация, остановите инструмент и извлеките блок аккумулятора. Не используйте инструмент, пока причина не будет определена и устранена.**
3. **После выключения инструмента режущий узел еще некоторое время продолжает вращаться. Прежде чем прикасаться к режущему узлу, дождитесь его остановки.**
4. **Используйте плечевой ремень в процессе работы. Крепко держите инструмент справа от себя.**
5. **При эксплуатации инструмента не тянитесь. Всегда сохраняйте устойчивое положение и равновесие. Чтобы не споткнуться, учитывайте скрытые препятствия, такие как пни, корни и канавы.**
6. **Соблюдайте осторожность на склонах.**
7. **Передвигайтесь шагом, не бегите.**
8. **Во избежание выхода инструмента из-под контроля запрещено работать на лестнице или на дереве.**
9. **Если инструмент получил сильный удар или упал, перед продолжением работы проверьте его состояние. Убедитесь в том, что органы управления и предохранительные устройства работают исправно. При возникновении сомнений или обнаружении повреждения обратитесь в авторизованный сервисный центр для осмотра инструмента и ремонта.**
10. **Если вы чувствуете усталость, прервите работу и отдохните. Это позволит избежать потери контроля над инструментом. Рекомендуется делать перерывы по 10–20 минут каждый час.**
11. **Оставляя инструмент без присмотра даже на короткий период времени, снимайте блок аккумулятора. Оставленный без присмотра инструмент с установленным блоком аккумулятора может быть использован посторонним лицом и стать причиной тяжелой травмы.**
12. **Если между режущим узлом и кожухом застряла трава или ветки, выключите инструмент и извлеките блок аккумулятора, прежде чем приступать к очистке. В противном случае режущий узел может случайно повернуться и стать причиной тяжелой травмы.**
13. **Прикасаться к опасным движущимся деталям разрешается только после того, как их движение будет полностью остановлено, а блок аккумулятора будет извлечен.**
14. **В случае удара режущего узла о камень или другой твердый предмет немедленно выключите инструмент. Извлеките блок аккумулятора и осмотрите режущий узел.**

15. Во время работы регулярно проверяйте режущий узел на отсутствие трещин или повреждений. Перед началом проверки извлеките блок аккумулятора и дождитесь полной остановки режущего узла. Даже при появлении поверхностных трещин немедленно замените поврежденный режущий узел.
 16. Запрещено выполнять резку на высоте выше уровня пояса.
 17. Перед началом резки подождите, пока после включения инструмента режущий узел не достигнет постоянной частоты вращения.
 18. При использовании режущего элемента равномерно перемещайте инструмент по полукруглой дуге справа налево, как при работе обычной косой.
 19. Держите инструмент только за специально предназначенные для этого изолированные поверхности, так как при выполнении работ существует риск контакта режущего элемента со скрытой электропроводкой. В случае контакта режущих элементов инструмента с проводом под напряжением открытые металлические части инструмента также окажутся под напряжением, что может привести к поражению оператора электрическим током.
 20. Не запускайте инструмент, если в режущем узле запуталась скошенная трава.
 21. Перед запуском инструмента убедитесь в том, что режущий узел не касается земли и других препятствий, например дерева.
 22. Во время работы обязательно держите инструмент двумя руками. Во время работы запрещено удерживать инструмент только одной рукой.
 23. Запрещается использовать инструмент в неблагоприятных погодных условиях и если существует риск удара молнии.
4. Во время вращения режущего узла следите за тем, чтобы ваши руки, лицо и одежда находились на безопасном расстоянии от него. Несоблюдение этого требования может стать причиной травмы.
 5. Работа режущего узла без соответствующего защитного кожуха не допускается.
 6. При использовании режущих элементов не допускайте отдачи инструмента и будьте к ней готовы. См. раздел, посвященный отдаче.
 7. Надевайте на режущий элемент защитный чехол, когда этот элемент не используется. Снимайте защитный чехол перед началом работы.

Отдача (бросок лезвия в сторону)

1. Отдача (бросок лезвия в сторону) – это мгновенная реакция на застревание или изгибание режущего элемента. При отдаче происходит бросок инструмента в сторону или в направлении оператора с большой силой, что может привести к тяжелой травме.
2. В частности, отдача происходит при соприкосновении участка режущего элемента между положениями 12 часов и 2 часа с твердыми объектами, кустами или стволами деревьев диаметром не менее 3 см.

► Рис.2

3. Меры по предотвращению отдачи:
 1. Используйте сегмент режущего элемента между 8 и 11 часами.
 2. Не используйте для работы сегмент между положениями 12 часов и 2 часа.
 3. Использование для работы сегментов между положениями 11 часов и 12 часов, а также между положениями 2 часа и 5 часов допускается только при высокой квалификации оператора и под ответственность оператора.
 4. Не подводите режущий элемент близко к стенам, заборах, пням и камням.
 5. Запрещено кошение при вертикальном положении режущего элемента, например для обрезки краев и подрезания живой изгороди.

► Рис.3

Вибрация

1. Лица с плохой циркуляцией крови, которые подвержены чрезмерной вибрации, могут получить повреждение кровеносных сосудов или нервной системы. Вибрация может привести к появлению следующих симптомов в пальцах, руках или запястьях: затекание (онемение), зуд, боль, покалывание или изменение цвета кожи. При возникновении указанных симптомов обратитесь к врачу!
2. Для снижения риска синдрома белых пальцев во время работы держите руки в тепле и обслуживайте инструмент и дополнительные принадлежности правильно.

Режущие узлы

1. Не используйте режущий узел, не рекомендуемый нами.
2. Для работы следует использовать подходящий режущий узел.
 - Для кошения газонной травы можно применять нейлоновые режущие головки (головки электрокосы) и пластмассовые ножи.
 - Режущие элементы используются для кошения сорняков, высокой травы, кустов, веток и другой поросли.
 - Запрещено использовать другие элементы, включая металлические многозвенные вращающиеся цепи и шарнирные ножи. Это может привести к тяжелой травме.
3. Используйте только режущие узлы, максимальная рабочая частота в маркировке которых не меньше частоты, указанной на инструменте.

Транспортировка

1. Для транспортировки инструмента выключите его и извлеките блок аккумулятора. Установите кожух на режущий элемент.
2. Во время транспортировки инструмента переносите его в горизонтальном положении, удерживая за штангу.
3. Во время транспортировки на транспортном средстве зафиксируйте его, чтобы предотвратить опрокидывание. Несоблюдение этой рекомендации может привести к повреждению инструмента или другого багажа.

Техническое обслуживание

1. Обслуживание и ремонт инструмента осуществляется авторизованным сервисным центром с использованием только оригинальных деталей. Ненадлежащий ремонт или техническое обслуживание может сократить срок службы инструмента и повысить риск несчастных случаев.
2. Перед выполнением работ по техническому обслуживанию, ремонту или очистке инструмента выключайте его и извлекайте блок аккумулятора.
3. При работе с режущим элементом надевайте защитные перчатки.
4. Всегда очищайте инструмент от пыли и грязи. Запрещено использовать для этой цели бензин, растворители, спирт и другие подобные жидкости. Это может привести к обесцвечиванию, деформации или растрескиванию пластмассовых компонентов.
5. После каждого использования затягивайте все винты и гайки.
6. Не пытайтесь выполнить работы по техническому обслуживанию или ремонту, не описанные в руководстве по эксплуатации. Для выполнения этих процедур обратитесь в авторизованный сервисный центр.
7. Используйте только оригинальные запасные части и аксессуары. Использование запасных частей или аксессуаров сторонних производителей может привести к поломке инструмента, повреждению имущества и/или тяжелой травме.
8. Обращайтесь в авторизованный сервисный центр для осмотра и обслуживания инструмента через равные промежутки времени.
9. Всегда держите инструмент в хорошем рабочем состоянии. Ненадлежащее техническое обслуживание может привести к снижению производительности и сокращению срока службы инструмента.

Хранение

1. Перед помещением инструмента на хранение выполните полную очистку и техническое обслуживание. Снимите блок аккумулятора. Установите кожух на режущий элемент.
2. Инструмент должен храниться в недоступном для детей сухом запираемом месте или на верхних полках.

3. Не ставьте инструмент вертикально (например, прислонив к стене). Несоблюдение этого требования может стать причиной падения инструмента и нанесения травмы.

Первая помощь

1. Обеспечьте наличие аптечки. Незамедлительно пополняйте запас использованного препарата.
2. Обращаясь за помощью, сообщайте следующую информацию:
 - место происшествия;
 - что случилось;
 - число пострадавших;
 - характер травмы;
 - свои имя и фамилию.

Важные правила техники безопасности для работы с аккумуляторным блоком

1. Перед использованием аккумуляторного блока прочитайте все инструкции и предупредительные надписи на (1) зарядном устройстве, (2) аккумуляторном блоке и (3) инструменте, работающем от аккумуляторного блока.
2. Не разбирайте аккумуляторный блок.
3. Если время работы аккумуляторного блока значительно сократилось, немедленно прекратите работу. В противном случае, может возникнуть перегрев блока, что приведет к ожогам и даже к взрыву.
4. В случае попадания электролита в глаза промойте их обильным количеством чистой воды и немедленно обратитесь к врачу. Это может привести к потере зрения.
5. Не замыкайте контакты аккумуляторного блока между собой:
 - (1) Не прикасайтесь к контактам какими-либо токопроводящими предметами.
 - (2) Не храните аккумуляторный блок в контейнере вместе с другими металлическими предметами, такими как гвозди, монеты и т. п.
 - (3) Не допускайте попадания на аккумуляторный блок воды или дождя.
- Замыкание контактов аккумуляторного блока между собой может привести к возникновению большого тока, перегреву, возможным ожогам и даже поломке блока.
6. Не храните инструмент и аккумуляторный блок в местах, где температура может достигать или превышать 50 °C (122 °F).
7. Не бросайте аккумуляторный блок в огонь, даже если он сильно поврежден или полностью вышел из строя. Аккумуляторный блок может взорваться под действием огня.
8. Не роняйте и не ударяйте аккумуляторный блок.
9. Не используйте поврежденный аккумуляторный блок.

10. **Входящие в комплект литий-ионные аккумуляторы должны эксплуатироваться в соответствии с требованиями законодательства об опасных товарах.**

При коммерческой транспортировке, например, третьей стороной или экспедитором, необходимо нанести на упаковку специальные предупреждения и маркировку.

В процессе подготовки устройства к отправке обязательно проконсультируйтесь со специалистом по опасным материалам. Также соблюдайте местные требования и нормы. Они могут быть строже.

Закройте или закрепите разомкнутые контакты и упакуйте аккумулятор так, чтобы он не перемещался по упаковке.

11. **Для утилизации блока аккумулятора извлеките его из инструмента и утилизируйте безопасным способом. Выполняйте требования местного законодательства по утилизации аккумуляторного блока.**
12. **Используйте аккумуляторы только с продукцией, указанной Makita.** Установка аккумуляторов на продукцию, не соответствующую требованиям, может привести к пожару, перегреву, взрыву или утечке электролита.
13. **Если инструментом не будут пользоваться в течение длительного периода времени, извлеките аккумулятор из инструмента.**

ВНИМАНИЕ: Используйте только фирменные аккумуляторные батареи Makita. Использование аккумуляторных батарей, не произведенных Makita, или батарей, которые были подвергнуты модификациям, может привести к взрыву аккумулятора, пожару, травмам и повреждению имущества. Это также автоматически аннулирует гарантию Makita на инструмент и зарядное устройство Makita.

Советы по обеспечению максимального срока службы аккумулятора

1. Заряжайте блок аккумуляторов перед его полной разрядкой. Обязательно прекратите работу с инструментом и зарядите блок аккумуляторов, если вы заметили снижение мощности инструмента.
2. Никогда не подзаряжайте полностью заряженный блок аккумуляторов. Перезарядка сокращает срок службы аккумулятора.
3. Заряжайте блок аккумуляторов при комнатной температуре в 10 - 40 °C (50 - 104 °F). Перед зарядкой горячего блока аккумуляторов дайте ему остыть.
4. Зарядите ионно-литиевый аккумуляторный блок, если вы не будете пользоваться инструментом длительное время (более шести месяцев).

СОХРАНИТЕ ДАННЫЕ ИНСТРУКЦИИ.

ОПИСАНИЕ ДЕТАЛЕЙ

► Рис.4

1	Индикатор скорости	2	Индикатор системы ADT (системы автоматического переключения частоты)	3	Лампа предупреждения	4	Кнопка основного питания
5	Кнопка реверса	6	Блок аккумулятора	7	Рычаг разблокировки	8	Триггерный переключатель
9	Крючок для подвешивания	10	Рукоятка	11	Ограждение (в зависимости от страны-заказчика)	12	Защитное устройство
13	Стопорный рычаг (только DUR191U и DUR191L)	14	Крышка стыка (только DUR191U и DUR191L)	15	Крышка (только DUR191U и DUR191L)	16	Плечевой ремень

ОПИСАНИЕ РАБОТЫ

⚠ ОСТОРОЖНО: Перед регулировкой или проверкой функций инструмента обязательно убедитесь, что он выключен и его блок аккумулятора снят. Несоблюдение этого требования может стать причиной тяжелой травмы из-за случайного включения инструмента.

Установка или снятие блока аккумулятора

⚠ ВНИМАНИЕ: Обязательно выключайте инструмент перед установкой и извлечением аккумуляторного блока.

⚠ ВНИМАНИЕ: При установке и извлечении аккумуляторного блока крепко удерживайте инструмент и аккумуляторный блок. Если не соблюдать это требование, они могут выскользнуть из рук, что приведет к повреждению инструмента, аккумуляторного блока и травмированию оператора.

► **Рис.5:** 1. Красный индикатор 2. Кнопка 3. Блок аккумулятора

Для снятия аккумуляторного блока нажмите кнопку на лицевой стороне и извлеките блок.

Для установки аккумуляторного блока совместите выступ аккумуляторного блока с пазом в корпусе и задвиньте его на место. Устанавливайте блок до упора так, чтобы он зафиксировался на месте с небольшим щелчком. Если вы можете видеть красный индикатор на верхней части клавиши, адаптер аккумулятора не полностью установлен на месте.

⚠ ВНИМАНИЕ: Обязательно устанавливайте аккумуляторный блок до конца, чтобы красный индикатор не был виден. В противном случае аккумуляторный блок может выпасть из инструмента и нанести травму вам или другим людям.

⚠ ВНИМАНИЕ: Не прилагайте чрезмерных усилий при установке аккумуляторного блока. Если блок не двигается свободно, значит он вставлен неправильно.

Система защиты инструмента/аккумулятора

На инструменте предусмотрена система защиты инструмента/аккумулятора. Она автоматически отключает питание двигателя для продления срока службы инструмента и аккумулятора. Инструмент автоматически остановится во время работы в указанных далее случаях.

Лампа предупреждения		Состояние
Цвет	● Горит ● Мигает	
Красный	●	Перегрузка
Красный	●	Перегрев
Красный	●	Чрезмерная разрядка

Защита от перегрузки

Инструмент автоматически останавливается и лампа предупреждения начинает мигать красным при возникновении указанных далее ситуаций.

- Инструмент перегружен из-за набившейся в него травы или другого мусора.
- Режущий узел заблокирован или отброшен отдачей.
- Кнопка основного питания находится в положении включения при нажатии триггерного переключателя.

В этой ситуации отпустите триггерный переключатель и удалите скошенную траву или другой мусор, если необходимо. После этого снова нажмите триггерный переключатель для продолжения.

⚠ ВНИМАНИЕ: Если необходимо очистить режущий узел от набившейся в него травы или разблокировать заблокированный режущий узел, сначала выключите инструмент.

Защита инструмента или аккумулятора от перегрева

При перегреве инструмента или блока аккумулятора инструмент останавливается автоматически. При перегреве инструмента или блока аккумулятора индикатор скорости и индикатор ADT выключаются, а лампа предупреждения загорается красным. Дайте инструменту и/или аккумулятору остыть перед возобновлением работы.

Защита от переразрядки

При истощении заряда аккумулятора инструмент автоматически останавливается. Индикатор скорости и индикатор ADT выключаются, а лампа предупреждения начинает мигать красным. Если инструмент не работает даже после нажатия переключателей, извлеките из него блок аккумулятора и зарядите его.




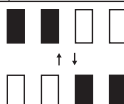
Индикация оставшегося заряда аккумулятора

Только для блоков аккумулятора с индикатором

► **Рис.6:** 1. Индикаторы 2. Кнопка проверки

Нажмите кнопку проверки на аккумуляторном блоке для проверки заряда. Индикаторы загорятся на несколько секунд.

Индикаторы			Уровень заряда
Горит	Выкл.	Мигает	
■ ■ ■ ■			от 75 до 100%
■ ■ ■ □			от 50 до 75%
■ ■ □ □			от 25 до 50%
■ □ □ □			от 0 до 25%
▣ □ □ □			Зарядите аккумуляторную батарею.

Индикаторы			Уровень заряда
 Горит	 Выкл.	 Мигает	
			Возможно, аккумуляторная батарея неисправна.

ПРИМЕЧАНИЕ: В зависимости от условий эксплуатации и температуры окружающего воздуха индикация может незначительно отличаться от фактического значения.

Основной переключатель питания

Для включения инструмента нажмите основную кнопку питания.

Для выключения инструмента нажмите и удерживайте основную кнопку питания, пока не погаснет индикатор рабочей частоты.

► **Рис.7:** 1. Индикатор рабочей частоты 2. Кнопка основного питания

ПРИМЕЧАНИЕ: Инструмент автоматически отключается, если не производить с ним никаких действий в течение определенного времени.

Действие выключателя

⚠ОСТОРОЖНО: Перед установкой аккумуляторного блока в инструмент обязательно убедитесь, что его триггерный переключатель нормально работает и возвращается в положение "OFF" (ВЫКЛ) при отпускании. Эксплуатация инструмента с неисправным выключателем может привести к потере контроля над инструментом и получению тяжелой травмы.

⚠ВНИМАНИЕ: Никогда не кладите палец на переключатель во время переноски. Инструмент может включиться непреднамеренно и причинить травму.

Для предотвращения случайного нажатия триггерного переключателя инструмент оборудован рычагом разблокировки.

Для запуска инструмента возьмитесь за рукоятку (при этом выключите рычаг разблокировки) и потяните триггерный переключатель. Для выключения инструмента отпустите триггерный переключатель.

DUR190U и DUR191U

► **Рис.8:** 1. Рычаг разблокировки 2. Триггерный переключатель

DUR190L и DUR191L




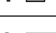






► **Рис.9:** 1. Рычаг разблокировки 2. Триггерный переключатель

ПРИМЕЧАНИЕ: Инструмент автоматически отключается, если он не используется в течение некоторого времени.

Регулировка скорости

Для выбора рабочей частоты инструмента нажмите основную кнопку питания. При каждом нажатии основной кнопки питания уровень рабочей частоты будет меняться.

► **Рис.10:** 1. Индикатор скорости 2. Кнопка основного питания 3. Индикатор системы ADT

Индикатор скорости	Режим	Скорость вращения
	ADT	3 500 - 6 000 мин ⁻¹
3  2  1 	Высокая	6 000 мин ⁻¹
3  2  1 	Средняя	5 100 мин ⁻¹
3  2  1 	Низкая	3 500 мин ⁻¹

ПРИМЕЧАНИЕ: При активации технологии автоматического изменения крутящего момента (ADT) включается индикатор ADT, и инструмент начинает работать с оптимальной частотой вращения и крутящим моментом в зависимости от состояния срезаемой травы.

Кнопка реверса для удаления мусора

⚠ОСТОРОЖНО: Выключите инструмент и снимите блок аккумулятора перед удалением скопившихся сорняков или мусора, с которыми не справилась функция реверса. Несоблюдение этого требования может стать причиной тяжелой травмы из-за случайного включения инструмента.

Этот инструмент оборудован кнопкой реверса для изменения направления вращения. Данная функция предназначена только для удаления скопившихся в инструменте сорняков и мусора.

Для изменения направления вращения коснитесь кнопки реверса и нажмите триггерный переключатель, нажимая рычаг блокировки после остановки режущего узла. После нажатия триггерного переключателя индикаторы рабочей частоты и индикатор системы ADT начнут мигать, а режущий узел будет вращаться в противоположном направлении.

Для возврата к обычному направлению вращения отпустите триггерный переключатель и дождитесь остановки режущего узла.

► **Рис.11:** 1. Индикатор рабочей частоты 2. Индикатор системы ADT 3. Кнопка реверса

ПРИМЕЧАНИЕ: После изменения направления вращения инструмент работает в течение небольшого периода времени и затем автоматически отключается.

ПРИМЕЧАНИЕ: После выключения инструмента при его последующем включении направление вращения снова будет обычным.

ПРИМЕЧАНИЕ: Если кнопка реверса была нажата до остановки режущего узла, он остановится и будет готов к изменению направления вращения.

Электрический тормоз

Этот инструмент оснащен электрическим тормозом. Если после отпущения триггерного переключателя не происходит быстрой остановки инструмента, отправьте инструмент в наш сервисный центр для обслуживания.

ВНИМАНИЕ: Эта тормозная система не заменяет защитное устройство. Запрещено использовать инструмент без защитного устройства. Использование режущего узла без защиты может привести к тяжелой травме.

СБОРКА

ОСТОРОЖНО: Перед выполнением каких-либо работ с инструментом обязательно убедитесь, что он выключен и его блок аккумулятора снят. Несоблюдение этого требования может стать причиной тяжелой травмы из-за случайного включения инструмента.

ОСТОРОЖНО: Не запускайте частично разобранный инструмент. Работа инструмента в частично разобранном виде может стать причиной тяжелой травмы в результате случайного пуска.

Установка рукоятки

Только для *DUR190U* и *DUR191U*

1. Вставьте штангу рукоятки в зажим. Совместите отверстие для винта в зажиме с соответствующим отверстием в штанге. Хорошо затяните винт.

► **Рис.12:** 1. Ручка 2. Винт 3. Рукоятка

2. Вставьте рукоятку между зажимом и держателем. Отрегулируйте угол рукоятки так, чтобы добиться удобного рабочего положения, затем затяните болты с шестигранными головками.

► **Рис.13:** 1. Болт с шестигранной головкой 2. Зажим рукоятки 3. Держатель рукоятки

Установка ограждения

Для *DUR190L* и *DUR191L*

Если в комплект поставки модели входит ограждение, прикрепите его к ручке винтом, находящимся на ограждении.

► **Рис.14:** 1. Ограждение 2. Винт

ВНИМАНИЕ: После установки ограждения не снимайте его. Ограждение работает в качестве защитного элемента для предотвращения случайного контакта с режущим элементом.

Установка трубки насадки

Только для *DUR191U* и *DUR191L*

Установка трубки насадки на силовой агрегат.

1. Поверните рычаг в направлении, указанном на рисунке.

► **Рис.15:** 1. Рычаг

2. Потяните вверх крышку стыка и вставьте трубку насадки, совместив выступ на трубке (со стороны режущего узла) с вогнутой частью области стыка.

► **Рис.16:** 1. Стопорный рычаг 2. Крышка стыка 3. Трубка

Убедитесь, что поверхность рычага блокировки расположена параллельно трубке.

3. Поверните рычаг в направлении, указанном на рисунке.

► **Рис.17:** 1. Рычаг

Для снятия трубки поверните рычаг в направлении, указанном на рисунке и вытяните трубку, одновременно нажимая на рычаг блокировки.

► **Рис.18:** 1. Рычаг 2. Стопорный рычаг 3. Трубка

Установка защитного устройства

ОСТОРОЖНО: Запрещается использовать инструмент без установленного защитного ограждения, показанного на рисунке. Несоблюдение данного требования может привести к серьезным травмам.

ВНИМАНИЕ: Соблюдайте осторожность, чтобы не пораниться при отрезании нейлонового шнура.

Прикрепите защитное устройство к зажиму болтами.

► **Рис.19:** 1. Зажим 2. Защитное устройство 3. Режущий элемент

Установка режущего узла

ПРИМЕЧАНИЕ: Тип режущих узлов, входящих в стандартный комплект поставки, зависит от страны. В некоторых странах режущий узел не входит в комплект поставки.

ПРИМЕЧАНИЕ: Для замены режущего узла переверните инструмент.

Режущий диск

ВНИМАНИЕ: При работе с режущим элементом надевайте защитные перчатки и установите защитный чехол.

ВНИМАНИЕ: Режущий диск должен быть хорошо отполирован и не иметь трещин и сколов. При ударе режущего элемента о камень во время работы немедленно остановите инструмент и осмотрите режущий диск.

ВНИМАНИЕ: Используйте режущий диск только того диаметра, который указан в разделе технических характеристик.

- **Рис.20:** 1. Гайка 2. Втулка 3. Прижимная шайба 4. Режущий диск 5. Шпindelь 6. Ограждение 7. Кнопка блокировки шпинделя

1. Установите режущий диск на кожух таким образом, чтобы стрелки на режущем элементе и на защитном устройстве указывали в одном направлении.

- **Рис.21:** 1. Стрелка

2. Установите прижимную шайбу и втулку на режущий диск.

3. Удерживая нажатой кнопку блокировки шпинделя, плотно затяните гайку накидным ключом.

- **Рис.22:** 1. Кнопка блокировки шпинделя
2. Накидной ключ 3. Ослабить
4. Затянуть

Для удаления режущего лезвия ослабьте гайку, удерживая кнопку блокировки шпинделя.

Нейлоновая режущая головка

ПРИМЕЧАНИЕ: Обязательно используйте оригинальную нейлоновую режущую головку Makita.

Удерживая кнопку блокировки шпинделя, установите нейлоновую режущую головку на шпindelь и плотно затяните вручную.

- **Рис.23:** 1. Нейлоновая режущая головка
2. Шпindelь 3. Кнопка блокировки шпинделя 4. Ослабить 5. Затянуть

Чтобы удалить нейлоновую режущую головку, ослабьте нейлоновую режущую головку, удерживая кнопку блокировки шпинделя.

Пластмассовый нож

ПРИМЕЧАНИЕ: Обязательно используйте оригинальные пластмассовые ножи Makita.

Удерживая кнопку блокировки шпинделя, установите пластмассовый нож на шпindelь и плотно затяните вручную.

- **Рис.24:** 1. Пластмассовый нож 2. Шпindelь
3. Кнопка блокировки шпинделя
4. Ослабить 5. Затянуть

Для удаления пластмассового ножа ослабьте пластмассовый нож, удерживая кнопку блокировки шпинделя.

ПРИМЕЧАНИЕ: Для установки или удаления режущего узла можно использовать шестигранный ключ из комплекта поставки. Чтобы заблокировать шпindelь, вставьте шестигранный ключ в отверстие, как показано на рисунке.

- **Рис.25:** 1. Шестигранный ключ 2. Отверстие

ВНИМАНИЕ: Для удаления или установки режущего узла всегда используйте ключи из комплекта поставки.

ВНИМАНИЕ: После установки режущего узла не забудьте извлечь шестигранный ключ из головки инструмента.

Регулировка положения рукоятки/крючка для подвешивания

Отрегулируйте положение рукоятки и крючка для подвешивания для максимального удобства в работе.

Для DUR190U и DUR191U

Отрегулируйте положение рукоятки/крючка таким образом, чтобы инструмент находился в пределах диапазона, как указано ниже.

- **Рис.26**

1	Расстояние крючка для подвешивания от земли.
2	Расстояние режущего узла от земли.
3	Горизонтальное расстояние между крючком для подвешивания и незащищенной частью режущего узла.

Ослабьте болты с шестигранной головкой в нижней части держателя. Переместите рукоятку в удобную рабочую позицию и затяните болты.

- **Рис.27:** 1. Держатель рукоятки 2. Болт с шестигранной головкой 3. Рукоятка

Ослабьте болты с шестигранной головкой на крючке для подвешивания. Переместите крючок в удобную рабочую позицию и затяните болты.

- **Рис.28:** 1. Болт с шестигранной головкой
2. Крючок для подвешивания

Для DUR190L и DUR191L

Ослабьте болты с шестигранной головкой на рукоятке. Переместите рукоятку в удобную рабочую позицию и затяните болты.

- **Рис.29:** 1. Болт с шестигранной головкой 2. Рукоятка

Ослабьте болт с шестигранной головкой на крючке для подвешивания. Переместите крючок в удобную рабочую позицию и затяните болт.

- **Рис.30:** 1. Болт с шестигранной головкой
2. Крючок для подвешивания

Хранение шестигранного ключа

Когда шестигранный ключ не используется, храните его, как показано на рисунке, чтобы не потерять.

- **Рис.31:** 1. Шестигранный ключ

Только для DUR190L и DUR191L

- **Рис.32:** 1. Рукоятка 2. Шестигранный ключ

ЭКСПЛУАТАЦИЯ

Пристегивание плечевого ремня

ВНИМАНИЕ: Всегда используйте закрепленный плечевой ремень, прикрепленный к инструменту. Чтобы снизить усталость, всегда регулируйте плечевой ремень в соответствии с ростом и комплекцией оператора, прежде чем приступить к работе.

ВНИМАНИЕ: Перед началом работы убедитесь в том, что плечевой ремень правильно прикреплен к крючку для подвешивания на инструменте.

Подсоедините крюк плечевого ремня к крючку для подвешивания и наденьте плечевой ремень. Убедитесь, что инструмент надежно удерживается плечевым ремнем.

DUR190U и DUR191U

► Рис.33: 1. Крючок 2. Крючок для подвешивания

DUR190L и DUR191L

► Рис.34: 1. Крючок 2. Крючок для подвешивания

Снятие

Конструкция плечевого ремня обеспечивает его быстрое снятие.

DUR190U и DUR191U

► Рис.35: 1. Лента

Вытяните ленту, чтобы снять инструмент с плечевого ремня.

DUR190L и DUR191L

► Рис.36: 1. Замок

Чтобы отсоединить плечевой ремень от инструмента, просто нажмите на боковые выступы замка.

Правильное обращение с инструментом

▲ОСТОРОЖНО: Инструмент всегда должен располагаться справа от оператора. Правильное расположение инструмента обеспечивает его оптимальную управляемость и позволяет снизить риск получения серьезных травм из-за отдачи инструмента.

▲ОСТОРОЖНО: Соблюдайте особую осторожность, чтобы сохранять контроль над инструментом во время работы. Не допускайте отклонения инструмента по направлению к вам или к другим людям, находящимся поблизости. Несоблюдение данного требования может привести к серьезным травмам посторонних лиц или оператора.

▲ОСТОРОЖНО: Во избежание несчастных случаев расстояние между работающими на одном участке операторами должно составлять более 15 м (50 футов). Также назначьте сотрудника для контроля расстояния между операторами. При появлении в области работы людей или животных немедленно прекратите работу.

▲ВНИМАНИЕ: Если во время работы режущий узел наталкивается на камень или другой твердый предмет, остановите инструмент и осмотрите его на предмет повреждений. Если режущий узел поврежден, замените его. Использование поврежденного режущего узла может привести к тяжелой травме.

▲ВНИМАНИЕ: При кошении травы удалите кожух с режущего элемента.

Правильное расположение и управление обеспечивают оптимальный контроль и снижают риск травмы из-за отдачи.

DUR190U и DUR191U

► Рис.37

DUR190L и DUR191L

► Рис.38

Использование нейлоновой режущей головки (с механизмом ударного самовыпуска)

Нейлоновая режущая головка представляет собой электрокосу с двумя нитями и механизмом ударного самовыпуска. Чтобы выпустить нейлоновый шнур, коснитесь земли выступом на нейлоновой режущей головке при вращении.

► Рис.39: 1. Наиболее эффективная зона сжатия

ПРИМЕЧАНИЕ: Если нейлоновая режущая головка не вращается, функция ударного самовыпуска не будет работать правильно.

ПРИМЕЧАНИЕ: Если нейлоновый шнур не выходит при ударе о землю, повторно намотайте/замените его в соответствии с процедурами, описанными в разделе по техническому обслуживанию.

ОБСЛУЖИВАНИЕ

▲ОСТОРОЖНО: Перед осмотром или обслуживанием инструмента обязательно убедитесь, что он выключен и его блок аккумулятора снят. Несоблюдение этого требования может стать причиной тяжелой травмы из-за случайного включения инструмента.

ПРИМЕЧАНИЕ: Запрещается использовать бензин, растворители, спирт и другие подобные жидкости. Это может привести к обесцвечиванию, деформации и трещинам.

Для обеспечения БЕЗОПАСНОСТИ и НАДЕЖНОСТИ оборудования ремонт, любое другое техобслуживание или регулировку необходимо производить в уполномоченных сервис-центрах Makita или сервис-центрах предприятия с использованием только сменных частей производства Makita.

Замена нейлонового шнура

▲ОСТОРОЖНО: Используйте только нейлоновый шнур с диаметром, указанным в этом руководстве. Не применяйте более толстый шнур, металлическую проволоку, веревку или подобные материалы. Несоблюдение этого требования может привести к повреждению инструмента и тяжелой травме.

▲ОСТОРОЖНО: При замене нейлонового шнура снимайте нейлоновую режущую головку с инструмента.

▲ОСТОРОЖНО: Убедитесь в том, что крышка нейлоновой режущей головки надежно прикреплена к корпусу, как описано в этом руководстве пользователя. Ненадлежащая фиксация крышки может привести к разрушению нейлоновой режущей головки – она может разлететься на осколки и причинить тяжелую травму.

При прекращении подачи шнура необходимо его заменить. Способ замены нейлонового шнура зависит от типа нейлоновой режущей головки.

95-M10L

► Рис.40

Замените пластмассовый нож

Замените пластмассовый нож в случае его износа или поломки.

► Рис.41

При установке пластмассового ножа сориентируйте стрелку на ноже в направлении, совпадающем с направлением стрелки на защитном устройстве.

► Рис.42: 1. Стрелка на защитном устройстве
2. Стрелка на ноже

ПОИСК И УСТРАНЕНИЕ НЕИСПРАВНОСТЕЙ

Прежде чем обращаться по поводу ремонта, проведите осмотр самостоятельно. Если обнаружена неисправность, не указанная в руководстве, не пытайтесь разобрать инструмент. Обратитесь в один из авторизованных сервисных центров Makita, в которых для ремонта всегда используются оригинальные детали Makita.

Состояние неисправности	Возможная причина (неисправности)	Способ устранения
Не работает электромотор.	Не вставлен блок аккумулятора.	Установите блок аккумулятора.
	Неисправен аккумулятор (под напряжением)	Зарядите аккумулятор. Если перезарядка не помогает, замените аккумулятор.
	Привод работает неправильно.	Обратитесь в местный авторизованный центр для ремонта.
После непродолжительного использования двигатель останавливается.	Низкий уровень заряда аккумулятора.	Зарядите аккумулятор. Если перезарядка не помогает, замените аккумулятор.
	Перегрев.	Прекратите работу и дайте инструменту остыть.
Не достигает максимальных оборотов.	Неправильно установлен аккумулятор.	Вставьте блок аккумулятора, как описано в этом руководстве.
	Заряд аккумулятора падает.	Зарядите аккумулятор. Если перезарядка не помогает, замените аккумулятор.
	Привод работает неправильно.	Обратитесь в местный авторизованный центр для ремонта.
Режущий узел не вращается: ⇒ немедленно выключите машину!	Посторонний предмет (например, ветка) застрял между защитным устройством и режущим узлом.	Удалите посторонний предмет.
	Привод работает неправильно.	Обратитесь в местный авторизованный центр для ремонта.
Сильная вибрация: ⇒ немедленно выключите машину!	Один из концов нейлонового шнура оборван.	При вращении коснитесь земли выступом на нейлоновой режущей головке, чтобы выпустить нейлоновый шнур.
	Привод работает неправильно.	Обратитесь в местный авторизованный центр для ремонта.
Режущий узел и двигатель не останавливаются: ⇒ немедленно извлеките аккумулятор!	Электрическая или электронная неисправность.	Извлеките аккумулятор и обратитесь в местный авторизованный сервисный центр для ремонта.

ДОПОЛНИТЕЛЬНЫЕ ПРИНАДЛЕЖНОСТИ

⚠ОСТОРОЖНО: Используйте только рекомендованные принадлежности и приспособления, указанные в этом руководстве. Использование других принадлежностей или приспособлений может привести к тяжелым травмам.

⚠ВНИМАНИЕ: Данные принадлежности или приспособления рекомендуются для использования с инструментом Makita, указанным в настоящем руководстве. Использование других принадлежностей или приспособлений может привести к получению травмы. Используйте принадлежность или приспособление только по указанному назначению.

Если вам необходимо содействие в получении дополнительной информации по этим принадлежностям, свяжитесь с вашим сервис-центром Makita.

- Режущий диск
- Нейлоновая режущая головка
- Нейлоновый шнур (режущая нить)
- Пластмассовый нож
- Оригинальный аккумулятор и зарядное устройство Makita

ПРИМЕЧАНИЕ: Некоторые элементы списка могут входить в комплект инструмента в качестве стандартных приспособлений. Они могут отличаться в зависимости от страны.







Makita Europe N.V. Jan-Baptist Vinkstraat 2,
3070 Kortenberg, Belgium

Makita Corporation 3-11-8, Sumiyoshi-cho,
Anjo, Aichi 446-8502 Japan

www.makita.com

885790-989 EN, SV, NO, FI, LV, LT, ET, RU 20191209
