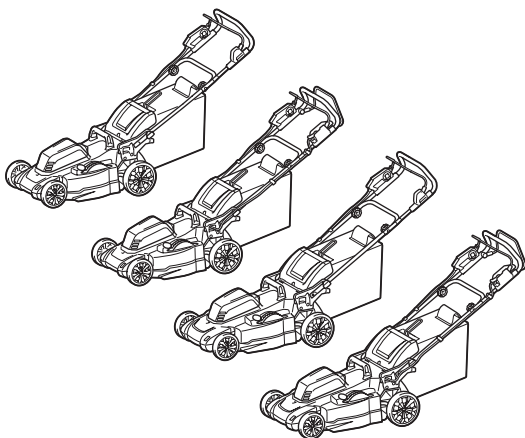




EN	Cordless Lawn Mower	INSTRUCTION MANUAL	10
SV	Batteridrivnen gräsklippare	BRUKSANVISNING	22
NO	Batteridrevet gressklipper	BRUKSANVISNING	34
FI	Akkukäyttöinen ruohonleikkuri	KÄYTTÖOHJE	46
DA	Akku-plæneklipper	BRUGSANVISNING	58
LV	Bezvada zāles pļaujmašīna	LIETOŠANAS INSTRUKCIJA	70
LT	Belaidė vejapjovė	NAUDOJIMO INSTRUKCIJA	82
ET	Juhtmeta muruniiduk	KASUTUSJUHEND	94
RU	Аккумуляторная Газонокосилка	РУКОВОДСТВО ПО ЭКСПЛУАТАЦИИ	106

DLM480
DLM481
DLM538
DLM539



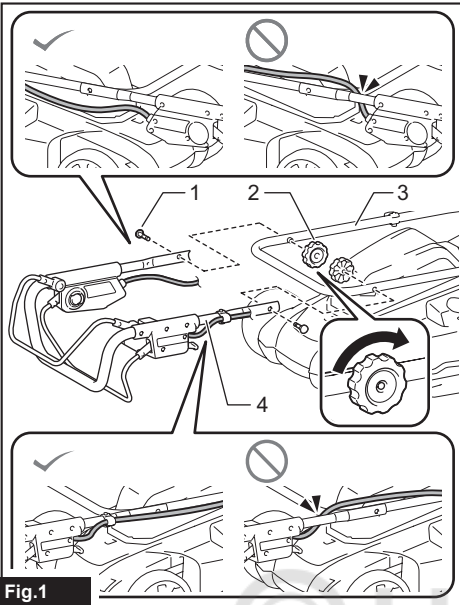


Fig. 1

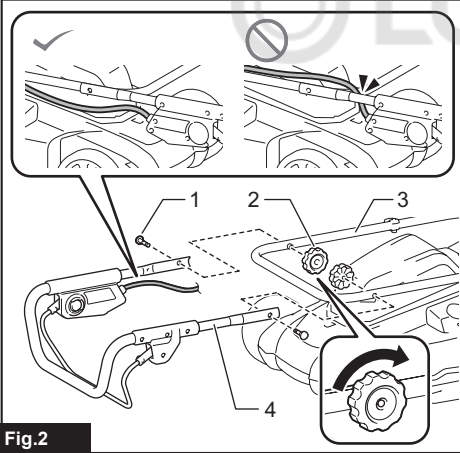


Fig. 2

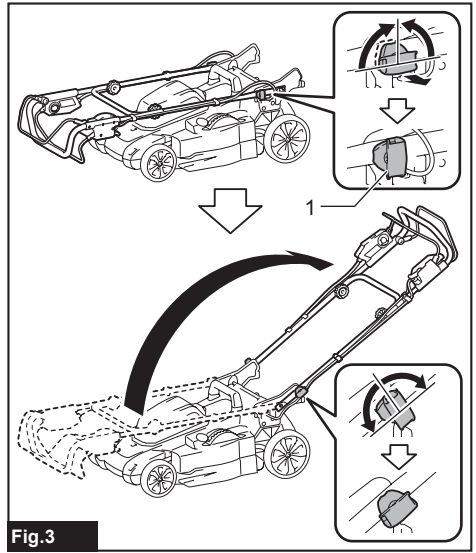


Fig. 3

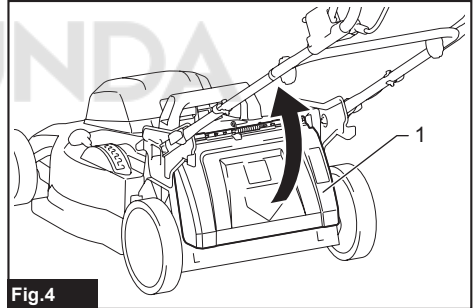


Fig. 4

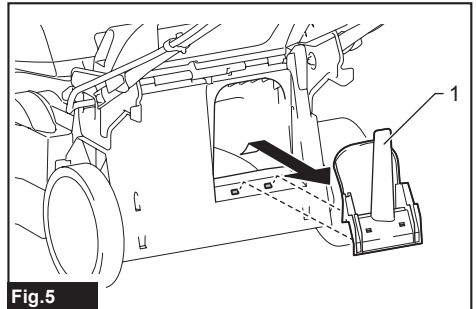
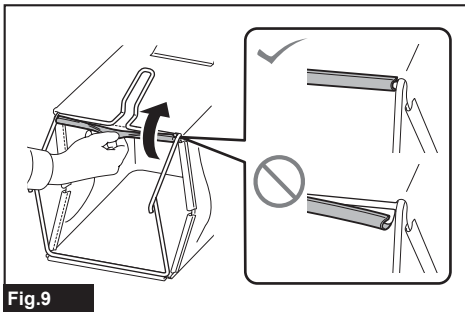
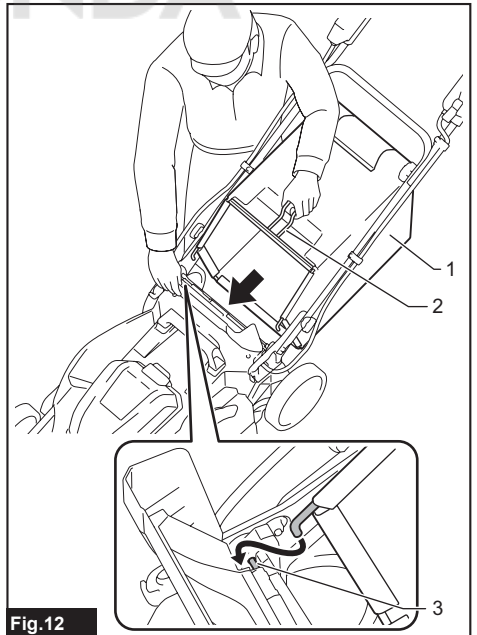
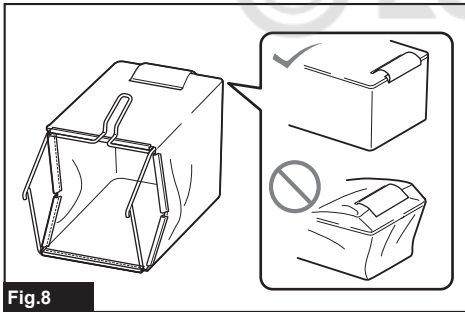
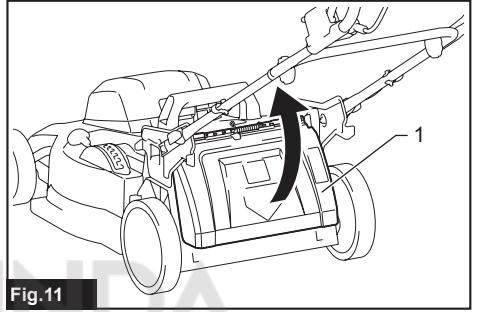
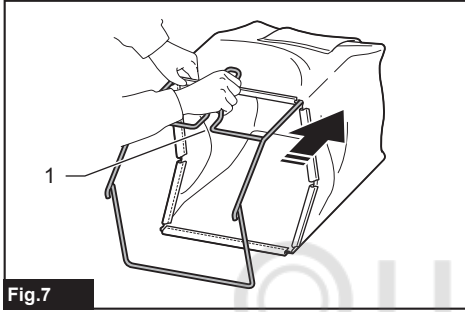
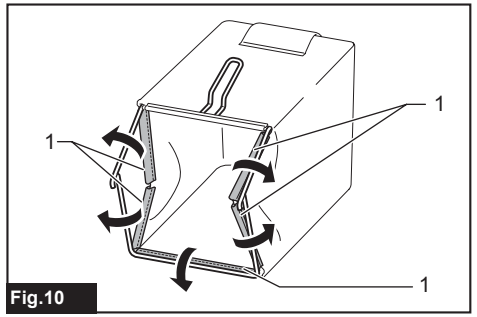
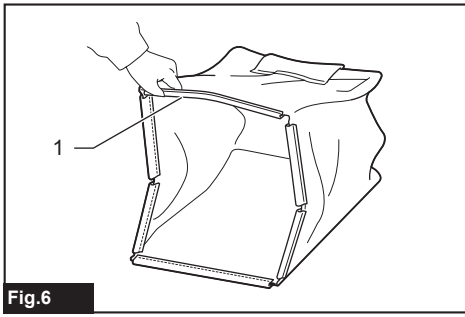
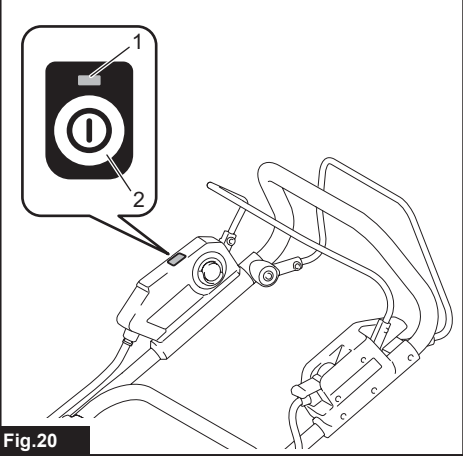
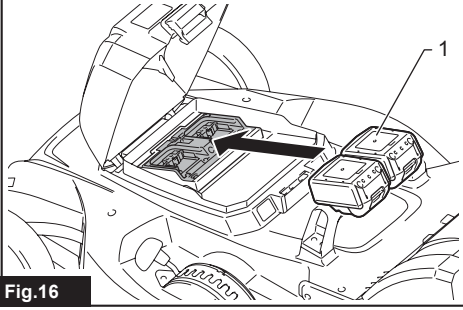
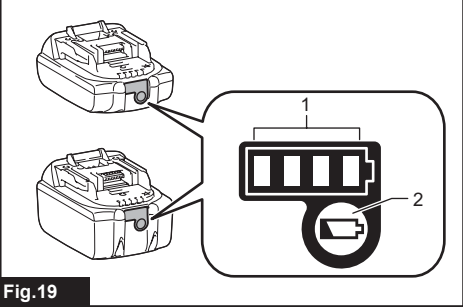
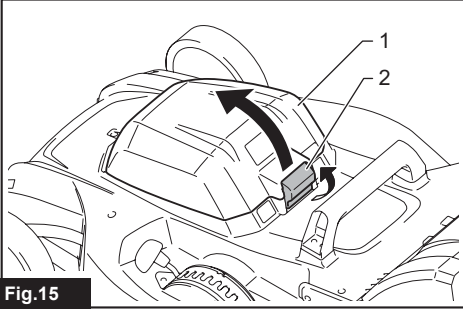
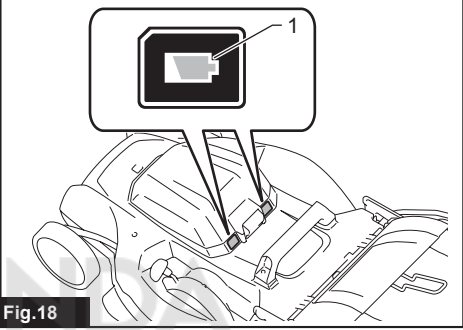
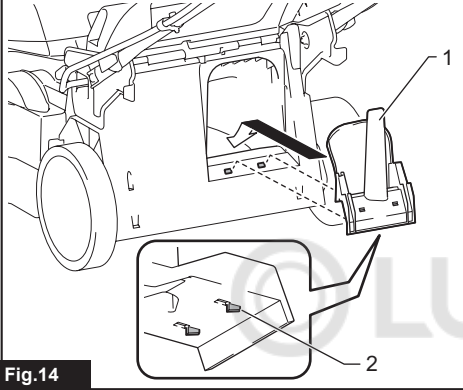
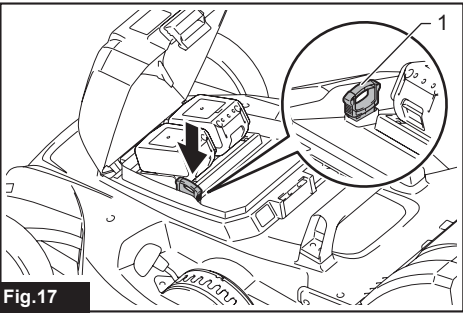
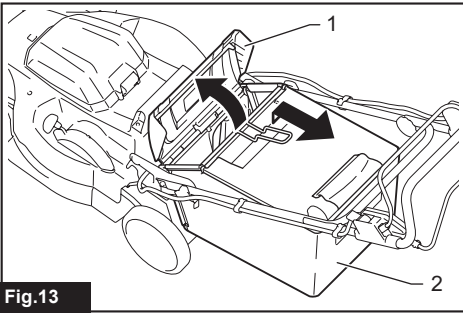


Fig. 5





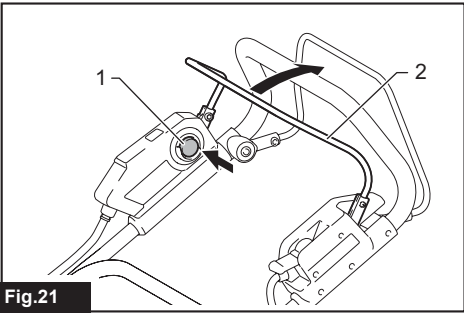


Fig.21

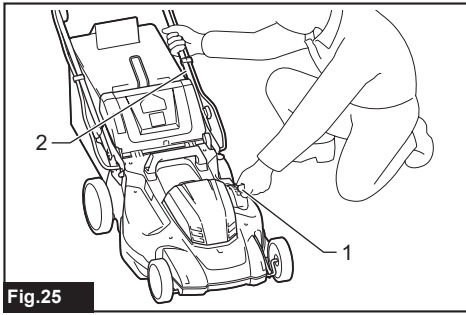


Fig.25

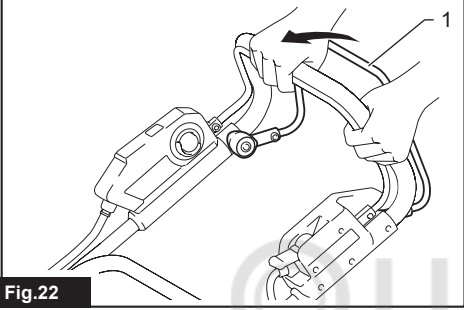


Fig.22

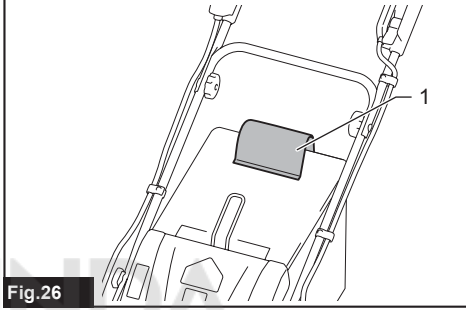


Fig.26

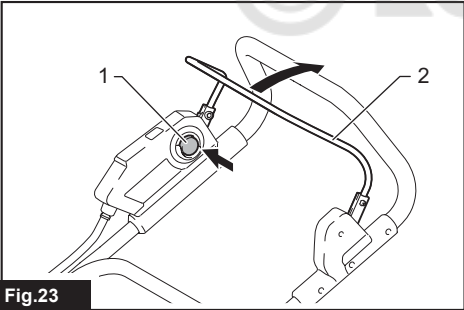


Fig.23

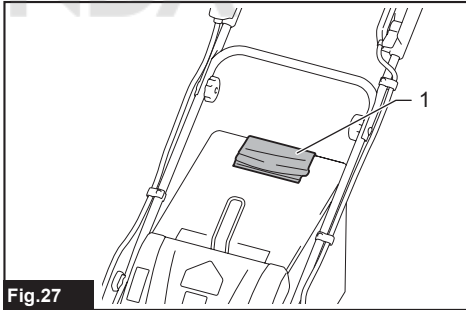


Fig.27

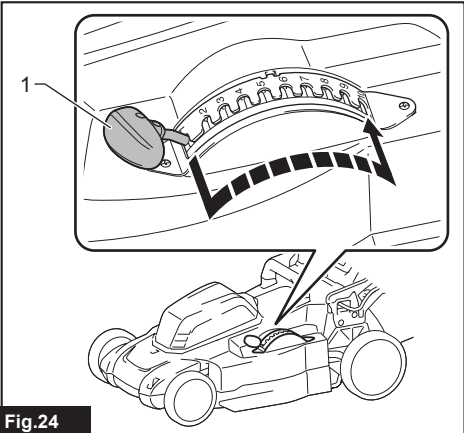


Fig.24

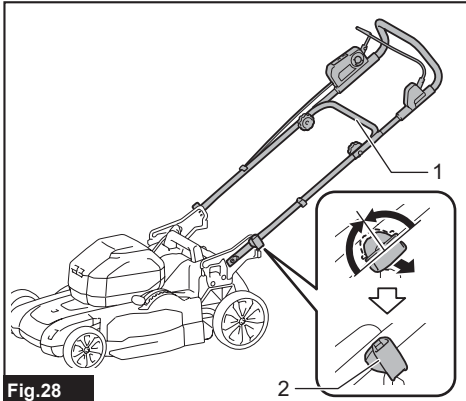


Fig.28

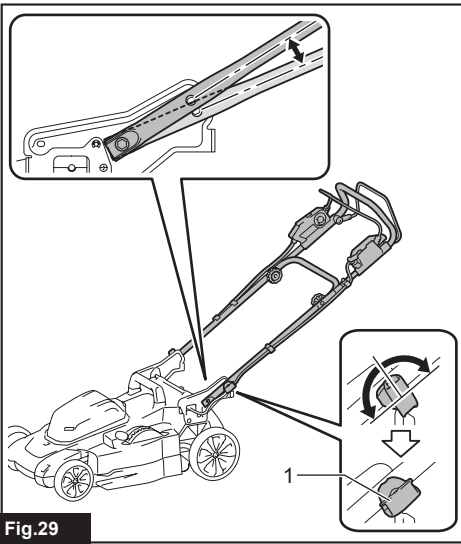


Fig.29

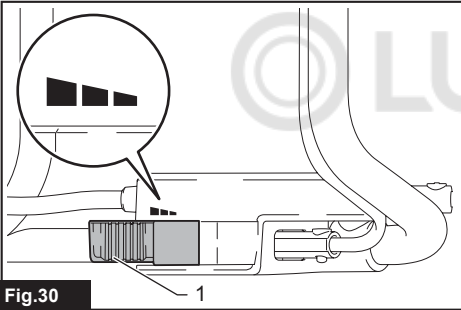


Fig.30

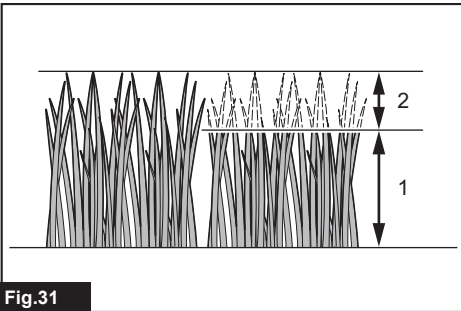


Fig.31



Fig.32

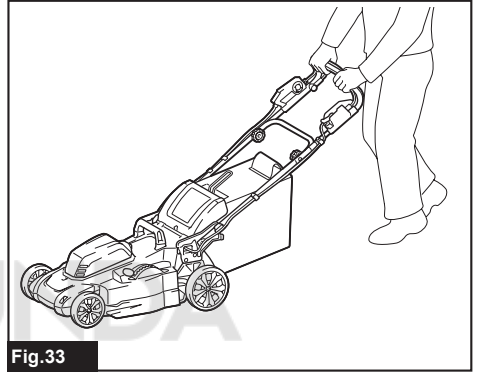


Fig.33

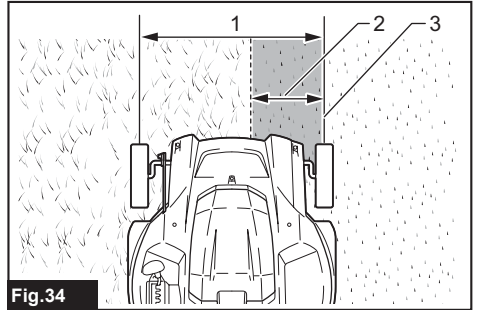


Fig.34

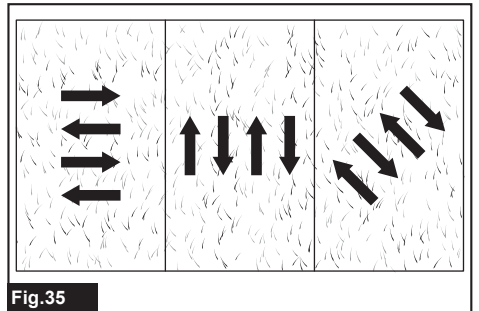
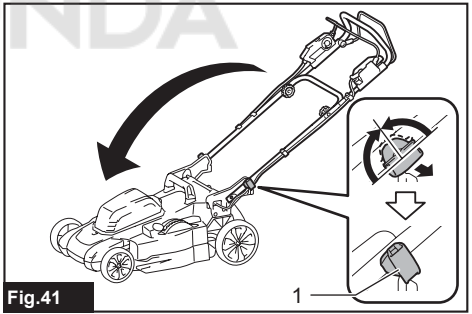
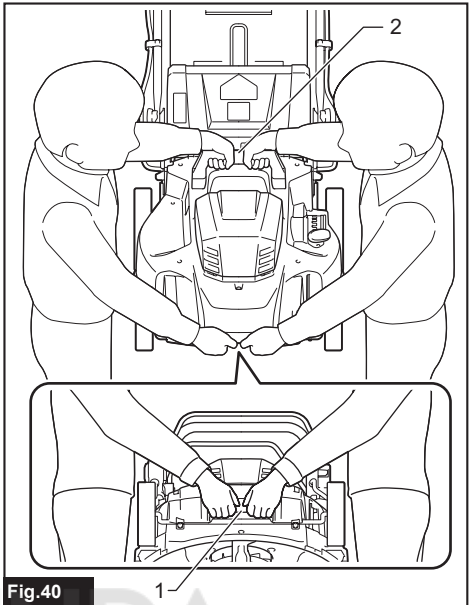
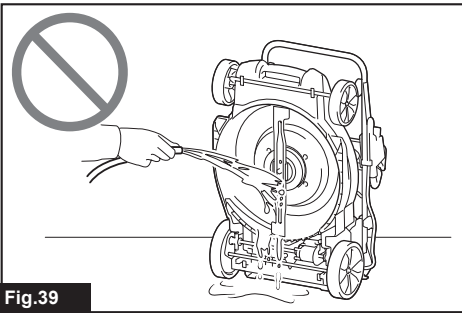
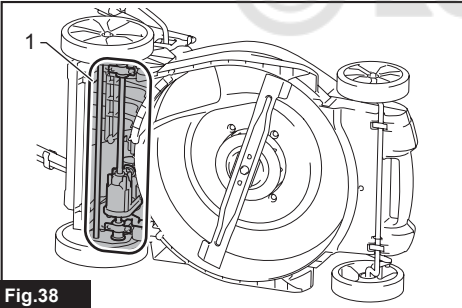
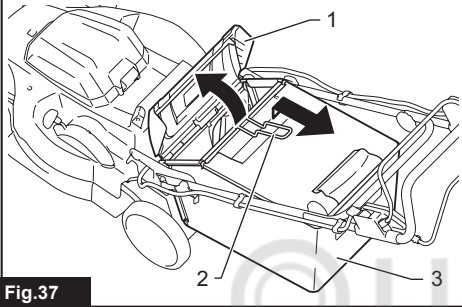
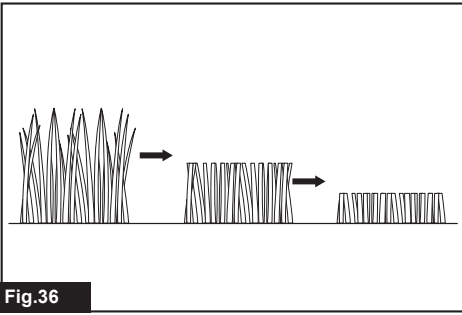


Fig.35



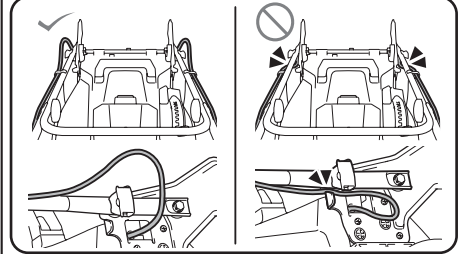
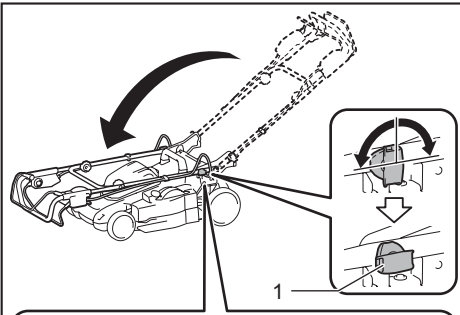


Fig.42

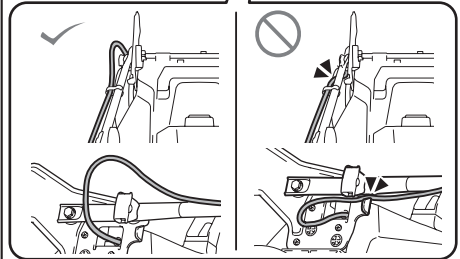
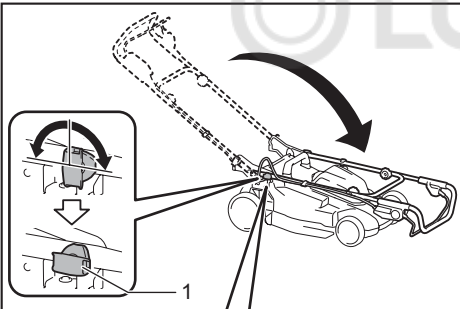


Fig.43

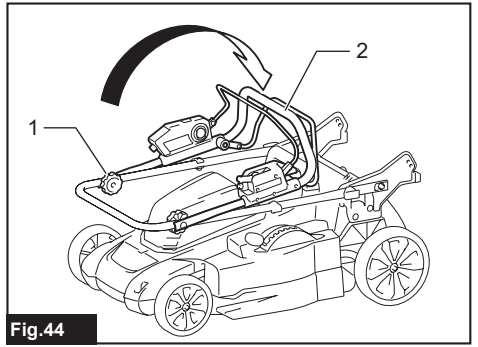


Fig.44

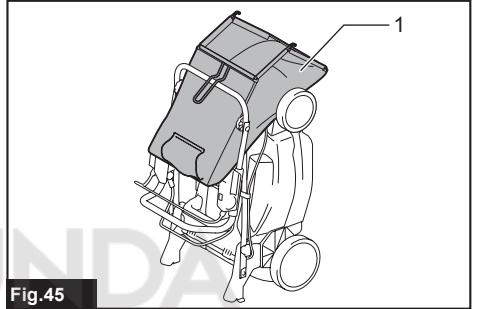


Fig.45

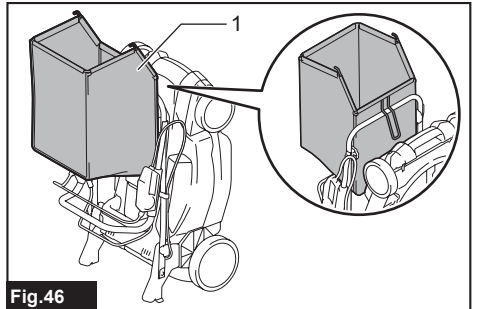


Fig.46

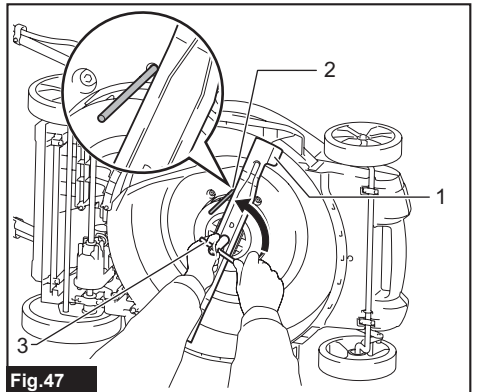


Fig.47

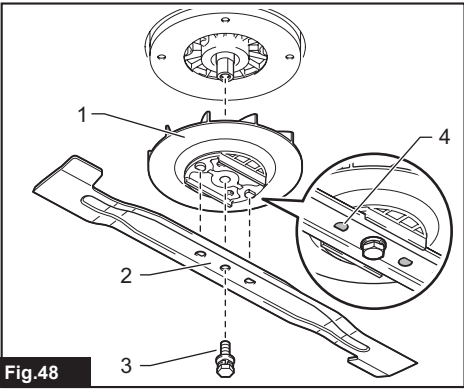


Fig.48

© LUNDA

SPECIFICATIONS

Model:	DLM480	DLM481	DLM538	DLM539
Mowing width (blade diameter)	480 mm		534 mm	
No load speed	3,100 min ⁻¹		3,000 min ⁻¹	
Part number of replacement mower blade	Straight mower blade	191V97-3		191V96-5 / 191W87-2
	Mulching blade	191Y64-6		191Y65-4
Dimensions (L x W x H)	during operation	L: 1,690 mm to 1,740 mm W: 530 mm H: 930 mm to 1,060 mm	L: 1,810 mm to 1,870 mm W: 580 mm H: 920 mm to 1,040 mm	
	when stored (without grass basket)	580 mm x 530 mm x 870 mm		610 mm x 580 mm x 925 mm
Traveling speed	–	2.5 - 5.0 km/h	–	2.5 - 5.0 km/h
Rated voltage	D.C. 36 V			
Net weight	24.5 - 26.8 kg	27.0 - 29.3 kg	25.5 - 28.0 kg	27.9 - 30.4 kg
Protection degree	IPX4			

- Due to our continuing program of research and development, the specifications herein are subject to change without notice.
- Specifications may differ from country to country.
- The weight may differ depending on the attachment(s), including the battery cartridge. The lightest and heaviest combinations, according to EPTA-Procedure 01/2014, are shown in the table.

Applicable battery cartridge and charger

Battery cartridge	BL1815N / BL1820B / BL1830B / BL1840B / BL1850B / BL1860B
Charger	DC18RC / DC18RD / DC18RE / DC18SD / DC18SE / DC18SF / DC18SH / DC18WC






- Some of the battery cartridges and chargers listed above may not be available depending on your region of residence.





⚠ WARNING: Only use the battery cartridges and chargers listed above. Use of any other battery cartridges and chargers may cause injury and/or fire.

⚠ WARNING: Do not use a corded power supply such as battery adapter or portable power pack with this machine. The cable of such power supply may hinder the operation and result in personal injury.

Symbols

The followings show the symbols which may be used for the equipment. Be sure that you understand their meaning before use.

	Take particular care and attention.
	Read instruction manual.
	Danger; be aware of thrown objects.
	The distance between the tool and bystanders must be at least 15 m.
	Never put your hands and feet near the mower blade under the mower. Mower blades continue to rotate after the motor is switched off.

	Remove the lock key before inspecting, adjusting, cleaning, servicing, leaving and storing the mower.
	Warning; Disconnect battery before maintenance.
	Electrical hazard. Contact with water can cause electric shock.
	Do not pour water.



Only for EU countries
Due to the presence of hazardous components in the equipment, waste electrical and electronic equipment, accumulators and batteries may have a negative impact on the environment and human health. Do not dispose of electrical and electronic appliances or batteries with household waste!

In accordance with the European Directive on waste electrical and electronic equipment and on accumulators and batteries and waste accumulators and batteries, as well as their adaptation to national law, waste electrical equipment, batteries and accumulators should be stored separately and delivered to a separate collection point for municipal waste, operating in accordance with the regulations on environmental protection.

This is indicated by the symbol of the crossed-out wheeled bin placed on the equipment.



Guaranteed sound power level according to EU Outdoor Noise Directive.



Sound power level according to Australia NSW Noise Control Regulation.

Intended use

The machine is intended for lawn mowing.

Noise

The typical A-weighted noise level determined according to EN IEC 62841-4-3:

Model	Measured sound power level (L_{WA}) : (dB(A))	Guaranteed sound power level (L_{WA}) : (dB(A))
DLM480	92	95
DLM481	92	95
DLM538	95	98
DLM539	95	98

Model	Sound pressure level (L_{pa}) : (dB(A))	Uncertainty for sound pressure level (K) : (dB(A))
DLM480	84	3
DLM481	84	3
DLM538	85	3
DLM539	85	3

NOTE: The declared noise emission value(s) has been measured in accordance with a standard test method and may be used for comparing one tool with another.

NOTE: The declared noise emission value(s) may also be used in a preliminary assessment of exposure.

⚠WARNING: Wear ear protection.

⚠WARNING: The noise emission during actual use of the power tool can differ from the declared value(s) depending on the ways in which the tool is used especially what kind of workpiece is processed.

⚠WARNING: Be sure to identify safety measures to protect the operator that are based on an estimation of exposure in the actual conditions of use (taking account of all parts of the operating cycle such as the times when the tool is switched off and when it is running idle in addition to the trigger time).

Vibration

The vibration total value (tri-axial vector sum) determined according to EN IEC 62841-4-3:

Model DLM480

Vibration emission (a_h) : 2.5 m/s² or less
Uncertainty (K) : 1.5 m/s²

Model DLM481

Vibration emission (a_h) : 2.5 m/s² or less
Uncertainty (K) : 1.5 m/s²

Model DLM538

Vibration emission (a_h) : 2.5 m/s² or less
Uncertainty (K) : 1.5 m/s²

Model DLM539

Vibration emission (a_h) : 2.5 m/s² or less
Uncertainty (K) : 1.5 m/s²

NOTE: The declared vibration total value(s) has been measured in accordance with a standard test method and may be used for comparing one tool with another.

NOTE: The declared vibration total value(s) may also be used in a preliminary assessment of exposure.

⚠WARNING: The vibration emission during actual use of the power tool can differ from the declared value(s) depending on the ways in which the tool is used especially what kind of workpiece is processed.

⚠WARNING: Be sure to identify safety measures to protect the operator that are based on an estimation of exposure in the actual conditions of use (taking account of all parts of the operating cycle such as the times when the tool is switched off and when it is running idle in addition to the trigger time).

Declarations of Conformity

For European countries only

The Declarations of conformity are included in Annex A to this instruction manual.

SAFETY WARNINGS

General power tool safety warnings

⚠WARNING Read all safety warnings, instructions, illustrations and specifications provided with this power tool. Failure to follow all instructions listed below may result in electric shock, fire and/or serious injury.

Save all warnings and instructions for future reference.

The term "power tool" in the warnings refers to your mains-operated (corded) power tool or battery-operated (cordless) power tool.

Cordless lawnmower safety warnings

1. **Do not use the lawnmower in bad weather conditions, especially when there is a risk of lightning.** This decreases the risk of being struck by lightning.
2. **Thoroughly inspect the area for wildlife where the lawnmower is to be used.** Wildlife may be injured by the lawnmower during operation.
3. **Thoroughly inspect the area where the lawnmower is to be used and remove all stones, sticks, wires, bones, and other foreign objects.** Thrown objects can cause personal injury.
4. **Before using the lawnmower, always visually inspect to see that the blade and the blade assembly are not worn or damaged.** Worn or damaged parts increase the risk of injury.
5. **Check the grass catcher frequently for wear or deterioration.** A worn or damaged grass catcher may increase the risk of personal injury.
6. **Keep guards in place. Guards must be in working order and be properly mounted.** A guard that is loose, damaged, or is not functioning correctly may result in personal injury.
7. **Keep all cooling air inlets clear of debris.** Blocked air inlets and debris may result in overheating or risk of fire.
8. **While operating the lawnmower, always wear non-slip and protective footwear. Do not operate the lawnmower when barefoot or wearing open sandals.** This reduces the chance of injury to the feet from contact with the moving blade.
9. **While operating the lawnmower, always wear long trousers.** Exposed skin increases the likelihood of injury from thrown objects.
10. **Do not operate the lawnmower in wet grass. Walk, never run.** This reduces the risk of slipping and falling which may result in personal injury.
11. **Do not operate the lawnmower on excessively steep slopes.** This reduces the risk of loss of control, slipping and falling which may result in personal injury.
12. **When working on slopes, always be sure of your footing, always work across the face of slopes, never up or down and exercise extreme caution when changing direction.** This reduces the risk of loss of control, slipping and falling which may result in personal injury.

13. **Use extreme caution when reversing or pulling the lawnmower towards you. Always be aware of your surroundings.** This reduces the risk of tripping during operation.
14. **Do not touch blades and other hazardous moving parts while they are still in motion.** This reduces the risk of injury from moving parts.
15. **When clearing jammed material or cleaning the lawnmower, make sure all power switches are off and the battery pack is disconnected.** Unexpected operation of the lawnmower may result in serious personal injury.

Additional safety warnings

Training

1. **Read the instructions carefully. Be familiar with the controls and the proper use of the mower.**
2. **Never allow children or people unfamiliar with these instructions to use the mower. Local regulations can restrict the age of the operator.**
3. **Never operate the mower while people, especially children, or pets are nearby.**
4. **Keep in mind that the operator or user is responsible for accidents or hazards occurring to other people or their property.**

Preparation

1. **Be sure the area is clear of other people before mowing. Stop mower if anyone enters the area.**
2. **Do not insert the lock key into mower until it is ready to be used.**
3. **Watch for holes, ruts, bumps, rocks, or other hidden objects.** Uneven terrain could cause a slip and fall accident. Tall grass can hide obstacles.
4. **Do not insert or remove the lock key in the rain.**

Operation

1. **Stop the mower and remove the lock key, and make sure that all moving parts have come to a complete stop**
 - whenever you leave the mower;
 - before clearing blockages or unclogging chute;
 - before checking, cleaning or working on the mower.
2. **If the mower strikes a foreign object, follow these steps:**
 - **Stop the mower, release the switch lever and wait until the blade comes to a complete stop.**
 - **Remove the lock key and the battery cartridge.**
 - **Thoroughly inspect the mower for any damage.**
 - **Replace the blade if it is damaged in any way. Repair any damage before restarting and continuing to operate the mower.**
3. **If the mower starts to vibrate abnormally or you notice anything unusual, follow these steps immediately:**
 - **Stop the mower, release the switch lever and wait until the blade comes to a complete stop.**

- Remove the lock key and the battery cartridge.
 - Inspect for damage and replace or repair any damaged parts.
 - Check for and tighten any loose parts.
4. Never operate the mower with defective guards or shields, or without safety devices, for example deflectors and/or grass basket, in place.
 5. Operate the mower only in daylight or in good artificial light.
 6. Switch on the mower carefully according to instructions and with feet well away from the blade(s).
 7. Take care against injury to feet and hands from the mower blades.
 8. Stop the blade(s) if the mower has to be tilted for transportation when crossing surfaces other than grass, and when transporting the mower to and from the area to be used.
 9. Do not tilt the mower when switching on the motor, except if the mower has to be tilted for starting. In this case, do not tilt it more than absolutely necessary and lift only the part, which is away from the operator. Always ensure that both hands are in the operating position before returning the mower to the ground.
 10. Do not put hands or feet near or under rotating parts. Keep clear of the discharge opening at all times.
 11. Always keep a firm hold on the handle.
 12. Don't grasp the exposed cutting blades or cutting edges when picking up or holding the mower.
 13. Keep hands and feet away from rotating blades. Caution - Blades coast after the mower is switched off.
 14. Never attempt to make cutting height adjustments while mower is running if the mower has cutting height adjustment feature.
 15. Release switch lever and wait for blade rotation to stop before crossing driveways, walks, roads, and any gravel-covered areas. Also remove the lock key if you leave the mower, reach to pick up or remove something out of your way, or for any other reason that may distract you from what you are doing.
 16. Do not start the mower when standing in front of the discharge opening.
 17. Never direct discharged material toward anyone. Avoid discharging material against a wall or obstruction. Material may ricochet back toward the operator. Stop the blade when crossing gravel surfaces.
 18. Do not pull the mower backwards unless absolutely necessary. When you are compelled to back the mower from a fence or other similar obstruction, look down and behind before and while moving backwards.
 19. Shut the motor off and wait until the blade comes to a complete stop before removing the grass catcher. Beware that the blades coast after turn off.
 20. When you use the machine on muddy ground, wet slope, or slippery place, pay attention to your footing.
 21. Avoid working in poor environment where increased user fatigue is expected.
 22. Do not use the machine in bad weather where visibility is limited. Failure to do so may cause fall or incorrect operation due to low visibility.
 23. Do not submerge the machine into a puddle.
 24. When wet leaves or dirt adhere to the suction mouth (ventilation window) due to rain, remove them.
 25. Do not use the machine in the snow.
 26. If the cut-off grass is wet, it is likely to be clogged inside of the machine. Check the condition of the machine regularly, and remove the adhered grass as necessary.
 27. When operating the machine, pay attention to piping and wiring.
- Maintenance and storage**
1. Inspect and maintain the mower regularly.
 2. Keep all nuts, bolts, and screws tight to be sure the equipment is in safe working condition.
 3. Check the grass basket frequently for wear or deterioration. For storage, always make sure the grass basket is empty. Replace a worn grass basket with a new factory replacement for safety.
 4. Use only the manufacturer genuine blades specified in this manual.
 5. Be careful during adjustment of the mower to prevent entrapment of the fingers between moving blades and fixed parts of the mower.
 6. Check the blade mounting bolt at frequent intervals for proper tightness.
 7. Always allow the mower to cool down before storing.
 8. When servicing the blades be aware that, even though the power source is switched off, the blades can still be moved.
 9. Never remove or tamper with safety devices. Check their proper operation regularly. Never do anything to interfere with the intended function of a safety device or to reduce the protection provided by a safety device.
 10. Do not leave the machine unattended outdoors in the rain.
 11. Do not wash the machine with high pressure water.
 12. When washing the machine, be sure to remove the battery and lock key and close the battery cover, and pour water toward the bottom of the machine to which the blade is attached.
 13. When storing the machine, avoid direct sunlight and rain, and store it in a place where it does not get hot or humid.
 14. Perform inspection or maintenance in a place where rain can be avoided.
 15. After using the machine, remove the adhered dirt and dry the machine completely before storing. Depending on the season or the area, there is a risk of malfunction due to freezing.

Electrical and battery safety

1. **Do not open or mutilate the battery(ies).** Released electrolyte is corrosive and may cause damage to the eyes or skin. It may be toxic if swallowed.
2. **Do not charge battery in rain, or in wet locations.**
3. **Do not charge the battery outdoors.**
4. **Do not handle charger, including charger plug, and charger terminals with wet hands.**
5. **Do not replace the battery in the rain.**
6. **Do not wet the terminal of battery with liquid such as water, or submerge the battery. Do not leave the battery in the rain, nor charge, use, or store the battery in a damp or wet place.** If the terminal gets wet or liquid enters inside of battery, the battery may be short circuited and there is a risk of overheating, fire, or explosion.
7. **After removing the battery from the machine or charger, be sure to attach the battery cover to the battery and store it in a dry place.**
8. **Do not replace the battery with wet hands.**
9. **Avoid dangerous environment. Don't use the machine in dump or wet locations or expose it to rain.** Water entering the machine will increase the risk of electric shock.
10. **If the battery cartridge gets wet, drain the water inside and then wipe it with a dry cloth. Dry the battery cartridge completely in a dry place before use.**

SAVE THESE INSTRUCTIONS.

⚠WARNING: DO NOT let comfort or familiarity with product (gained from repeated use) replace strict adherence to safety rules for the subject product. MISUSE or failure to follow the safety rules stated in this instruction manual may cause serious personal injury.

Important safety instructions for battery cartridge

1. **Before using battery cartridge, read all instructions and cautionary markings on (1) battery charger, (2) battery, and (3) product using battery.**
2. **Do not disassemble or tamper with the battery cartridge.** It may result in a fire, excessive heat, or explosion.
3. **If operating time has become excessively shorter, stop operating immediately.** It may result in a risk of overheating, possible burns and even an explosion.
4. **If electrolyte gets into your eyes, rinse them out with clear water and seek medical attention right away.** It may result in loss of your eyesight.
5. **Do not short the battery cartridge:**
 - (1) **Do not touch the terminals with any conductive material.**
 - (2) **Avoid storing battery cartridge in a container with other metal objects such as nails, coins, etc.**
 - (3) **Do not expose battery cartridge to water or rain.**

A battery short can cause a large current flow, overheating, possible burns and even a breakdown.

6. **Do not store and use the tool and battery cartridge in locations where the temperature may reach or exceed 50 °C (122 °F).**
7. **Do not incinerate the battery cartridge even if it is severely damaged or is completely worn out.** The battery cartridge can explode in a fire.
8. **Do not nail, cut, crush, throw, drop the battery cartridge, or hit against a hard object to the battery cartridge.** Such conduct may result in a fire, excessive heat, or explosion.
9. **Do not use a damaged battery.**
10. **The contained lithium-ion batteries are subject to the Dangerous Goods Legislation requirements.**

For commercial transports e.g. by third parties, forwarding agents, special requirement on packaging and labeling must be observed. For preparation of the item being shipped, consulting an expert for hazardous material is required. Please also observe possibly more detailed national regulations.

Tape or mask off open contacts and pack up the battery in such a manner that it cannot move around in the packaging.
11. **When disposing the battery cartridge, remove it from the tool and dispose of it in a safe place.** Follow your local regulations relating to disposal of battery.

12. **Use the batteries only with the products specified by Makita.** Installing the batteries to non-compliant products may result in a fire, excessive heat, explosion, or leak of electrolyte.
13. **If the tool is not used for a long period of time, the battery must be removed from the tool.**
14. **During and after use, the battery cartridge may take on heat which can cause burns or low temperature burns.** Pay attention to the handling of hot battery cartridges.
15. **Do not touch the terminal of the tool immediately after use as it may get hot enough to cause burns.**
16. **Do not allow chips, dust, or soil stuck into the terminals, holes, and grooves of the battery cartridge.** It may cause heating, catching fire, burst and malfunction of the tool or battery cartridge, resulting in burns or personal injury.
17. **Unless the tool supports the use near high-voltage electrical power lines, do not use the battery cartridge near high-voltage electrical power lines.** It may result in a malfunction or breakdown of the tool or battery cartridge.
18. **Keep the battery away from children.**

SAVE THESE INSTRUCTIONS.

⚠CAUTION: Only use genuine Makita batteries. Use of non-genuine Makita batteries, or batteries that have been altered, may result in the battery bursting causing fires, personal injury and damage. It will also void the Makita warranty for the Makita tool and charger.

Tips for maintaining maximum battery life

1. Charge the battery cartridge before completely discharged. Always stop tool operation and charge the battery cartridge when you notice less tool power.
2. Never recharge a fully charged battery cartridge. Overcharging shortens the battery service life.
3. Charge the battery cartridge with room temperature at 10 °C - 40 °C (50 °F - 104 °F). Let a hot battery cartridge cool down before charging it.
4. When not using the battery cartridge, remove it from the tool or the charger.
5. Charge the battery cartridge if you do not use it for a long period (more than six months).

ASSEMBLY

⚠ WARNING: Always be sure that the lock key and battery cartridge are removed before carrying out any work on the mower. Failure to remove the lock key and the battery cartridge may result in serious personal injury from accidental start-up.

⚠ WARNING: Never start the mower unless it is completely assembled. Operation of the machine in a partially assembled state may result in serious personal injury from accidental start-up.

Installing the handle

NOTICE: When installing the handles, be careful not to pinch the cord between the handles. If the cord is damaged, the mower switch may not work.

1. Align the hole in the lower handle with the hole in the upper handle, then insert the bolt from outside, and then tighten the thumb nut from inside. Perform the same procedure on the other side.

For DLM481/DLM539

- **Fig.1:** 1. Bolt 2. Thumb nut 3. Lower handle
4. Upper handle

For DLM480/DLM538

- **Fig.2:** 1. Bolt 2. Thumb nut 3. Lower handle
4. Upper handle

2. Turn the knob 90° while pulling the knob on the lower handle to release the locking pin. Perform the same procedure on the other side. Raise the handle, and then turn the knob on both sides 90°. Make sure that the knobs are securely fixed.

- **Fig.3:** 1. Knob

NOTE: Supporting the handle makes it easier to release the locking pin when pulling the knob.

Removing the mulching plug

1. Open the rear cover.
► **Fig.4:** 1. Rear cover
2. Lift up the mulching plug slightly, and then remove it.
► **Fig.5:** 1. Mulching plug

Assembling the grass basket

1. Pick up the upper clip of the grass basket.
► **Fig.6:** 1. Upper clip
2. Insert the frame into the grass basket as far as it will go while holding the handle of the frame.
► **Fig.7:** 1. Handle

NOTICE: Do not insert the handle into the grass basket. Be sure to insert the frame along the stitch of the grass basket.

3. Make sure that there is no sagging on the corners of the grass basket.
► **Fig.8**
4. Open the upper clip, and attach it to the frame.
► **Fig.9**
5. Attach all the other clips as shown in the figure. Make sure that all the clips are securely attached to the frame.
► **Fig.10:** 1. Clip

Installing or removing the grass basket

To install the grass basket, follow the steps below.

1. Open the rear cover.
► **Fig.11:** 1. Rear cover
2. Hold the handle of the grass basket, and then hook the grass basket on the rod of the mower body as shown in the figure.
► **Fig.12:** 1. Grass basket 2. Handle 3. Rod

To remove the grass basket, open the rear cover, and then remove the grass basket by holding the handle.

Attaching the mulching plug

1. Open the rear cover, and then remove the grass basket.
► **Fig.13:** 1. Rear cover 2. Grass basket
2. Attach the mulching plug by pushing it as far as it will go so that the protrusions on the mulching plug fit into the holes on the machine.
► **Fig.14:** 1. Mulching plug 2. Protrusion

FUNCTIONAL DESCRIPTION

Installing or removing battery cartridge

⚠ CAUTION: Always switch off the machine before installing or removing of the battery cartridge.

⚠ CAUTION: Hold the machine and the battery cartridge firmly when installing or removing battery cartridge. Failure to hold the machine and the battery cartridge firmly may cause them to slip off your hands and result in damage to the machine and battery cartridge and a personal injury.

⚠ CAUTION: Make sure that you lock the battery cover before use. Otherwise, mud, dirt, or water may cause damage to the product or the battery cartridge.

⚠ CAUTION: Always install the battery cartridge fully until the red indicator cannot be seen. If not, it may accidentally fall out of the machine, causing injury to you or someone around you.

⚠ CAUTION: Do not install the battery cartridge forcibly. If the cartridge does not slide in easily, it is not being inserted correctly.

⚠ CAUTION: Hold the battery cover firmly when installing or removing the battery cartridge.

NOTE: The machine does not work with only one battery cartridge.

To install the battery cartridge;

1. Pull up the locking lever, and then open the battery cover.
▶ **Fig.15:** 1. Battery cover 2. Locking lever
2. Align the tongue on the battery cartridge with the slot on the machine, and then slide the cartridge until it locks in place with a little click.
▶ **Fig.16:** 1. Battery cartridge
3. Insert the lock key in the place shown in the figure as far as it will go.
▶ **Fig.17:** 1. Lock key
4. Close the battery cover and push it until it is latched with the locking lever.

To remove the battery cartridge;

1. Pull up the locking lever and open the battery cover.
2. Pull out the battery cartridge from the machine while sliding the button on the front of the cartridge.
3. Pull out the lock key.
4. Close the battery cover.

Machine / battery protection system

The machine is equipped with a machine/battery protection system. This system automatically cuts off power to the motor to extend machine and battery life. The machine will automatically stop during operation if the machine or battery is placed under one of the following conditions:

Overload protection

When the battery is operated in a manner that causes it to draw an abnormally high current, the machine automatically stops and the main power lamp blinks in green. In this situation, turn the machine off and stop the application that caused the machine to become overloaded. Then turn the machine on to restart.

Overheat protection

When the machine or battery is overheated, the machine stops automatically and the main power lamp lights up in red. In this case, let the machine and battery cool before turning the machine on again.

Overdischarge protection

When the battery capacity is not enough, the machine stops automatically and the main power lamp blinks in red. In this case, remove the battery from the machine and charge the battery cartridges or change the battery cartridges to fully charged ones.

Protections against other causes

Protection system is also designed for other causes that could damage the machine and allows the machine to stop automatically. Take all the following steps to clear the causes, when the machine has been brought to a temporary halt or stop in operation.

1. Turn the machine off, and then turn it on again to restart.
2. Charge the battery(ies) or replace it/them with recharged battery(ies).
3. Let the machine and battery(ies) cool down.

If no improvement can be found by restoring protection system, then contact your local Makita Service Center.

NOTICE: If the machine stops due to a cause not described above, refer to the section for troubleshooting.

Indicating the remaining battery capacity

▶ **Fig.18:** 1. Battery indicator

When the remaining battery capacity gets low, the battery indicator blinks on the applicable battery side. By further use, the machine stops and the battery indicator lights up. In this situation, charge the battery cartridge.

Indicating the remaining battery capacity

Only for battery cartridges with the indicator

Press the check button on the battery cartridge to indicate the remaining battery capacity. The indicator lamps light up for a few seconds.

► Fig.19: 1. Indicator lamps 2. Check button

Indicator lamps			Remaining capacity
Lighted	Off	Blinking	
■	□	▧	75% to 100%
■ ■ ■ ■			
■ ■ ■	□		50% to 75%
■ ■	□ □		25% to 50%
■	□ □ □		0% to 25%
▧	□ □ □		Charge the battery.
■ ■ □ □			The battery may have malfunctioned.
□ □ ■ ■			

NOTE: Depending on the conditions of use and the ambient temperature, the indication may differ slightly from the actual capacity.

NOTE: The first (far left) indicator lamp will blink when the battery protection system works.

Main power switch

WARNING: Always turn off the main power switch when not in use.

► Fig.20: 1. Main power lamp 2. Main power switch

To turn on the machine, press the main power switch. The main power lamp lights up in green. To turn off the machine, press the main power switch again.

NOTE: If the main power lamp lights up in red or blinks in red or green, refer to the instructions for machine/battery protection system.

NOTE: This machine employs the auto power-off function. To avoid unintentional start up, the main power switch will automatically shut down when the switch lever and drive lever (if equipped) are not pulled for a certain period after the main power switch is turned on.

Switch action

WARNING: Before installing the battery cartridge, always check to see that the switch lever actuates properly and returns to the original position when released. Operating the machine with a switch that does not actuate properly can lead to loss of control and serious personal injury.

NOTE: The mower does not start without pressing the switch button even the switch lever is pulled.

NOTE: Mower may not start due to the overload when you try to mow long or dense grass at a time. Increase the mowing height in this case.

This mower is equipped with the lock key and handle switch. If you notice anything unusual with either of the lock key or switch, stop the operation immediately and have them checked by your nearest Makita Authorized Service Center.

For DLM481/DLM539

1. Install the battery cartridges. Insert the lock key, and then close the battery cover.
2. Press the main power switch.
3. Pull the switch lever toward you while holding down the switch button. Release the switch button as soon as the motor starts running.
4. While holding the switch lever, push the drive lever forward and hold it to drive the rear wheels.

► Fig.21: 1. Switch button 2. Switch lever

NOTE: You can drive the rear wheels by pushing the drive lever forward and hold it without pulling the switch lever.

5. Release the drive lever and the switch lever to stop the machine.

For DLM480/DLM538

1. Install the battery cartridges. Insert the lock key, and then close the battery cover.
2. Press the main power switch.
3. Pull the switch lever toward you while holding down the switch button. Release the switch button as soon as the motor starts running.
4. Release the switch lever to stop the motor.

Adjusting the mowing height

WARNING: Never put your hand or leg under the mower body when adjusting the mowing height.

WARNING: Always make sure that the lever fits in the groove properly before operation.

The mowing height can be adjusted in the range of between 20 mm and 100 mm.

Remove the lock key, and then pull the mowing height adjusting lever outward of the mower body and move it to your desired mowing height.

► Fig.24: 1. Mowing height adjusting lever

The table below shows the relationship between the number on the mower body and the approximate mowing height.

Number	Mowing height
1	20 mm
2	26 mm
3	32 mm
4	40 mm
5	49 mm
6	59 mm
7	70 mm
8	81 mm
9	92 mm
10	100 mm

Hold the lower handle with one hand, and then move the mowing height adjusting lever with the other hand.

► **Fig.25:** 1. Mowing height adjusting lever 2. Lower handle

NOTE: The mowing height figures should be used just as a guideline. Depending on the conditions of the lawn or the ground, the actual lawn height may become slightly different from the set height.

NOTE: Try a test mowing of grass in a less conspicuous place to get your desired height.

Grass level indicator

Grass level indicator shows the volume of mowed grass. When the grass basket is not full, the indicator floats while the blades are running.

► **Fig.26:** 1. Grass level indicator

When the grass basket is almost full, the indicator does not float while the blades are running. In this case, stop the operation immediately and empty the basket.

► **Fig.27:** 1. Grass level indicator

NOTE: This indicator is a rough guide. Depending on the conditions of inside of the basket, this indicator may not work properly.

Adjusting the handle height

The handle height can be adjusted in two levels.

1. Hold the lower handle, and then turn the knob 90° while pulling the knob on the lower handle to release the locking pin. Perform the same procedure on the other side.

► **Fig.28:** 1. Lower handle 2. Knob

NOTE: Supporting the handle makes it easier to release the locking pin when pulling the knob.

2. Adjust the handle height, and then turn the knob on both sides 90°. Make sure that the knobs are securely fixed.

► **Fig.29:** 1. Knob

Adjusting the traveling speed

For DLM481/DLM539

► **Fig.30:** 1. Speed lever

The traveling speed can be adjusted with the speed lever. To decrease the speed, pull the lever toward you, and to increase the speed, turn the lever forward.

Using mulching plug

The mulching plug allows you to return the cut grass to the ground without gathering the cut grass in the grass basket. When you operate the machine with the mulching plug, be sure to remove the grass basket.

NOTICE: When using the machine with the mulching plug, make sure that the total length of grass after cutting is 30 mm or more, and the cut length is 15 mm or less.

► **Fig.31:** (1) 30 mm or more (2) 15 mm or less

Using the rear discharge

Using the rear discharge allows you to discharge the cut grass to the ground from the rear side of the machine without gathering the cut grass in the grass basket.

When you operate the machine using the rear discharge, be sure to remove the grass basket and mulching plug, and close the rear cover.

Electronic function

The machine is equipped with the electronic functions for easy operation.

- Soft start at driving
The soft-start function minimizes start-up shock, and makes the machine start smoothly.
- Electric brake
This machine is equipped with an electric brake. If the machine consistently fails to quickly stop the mower blades after releasing the switch lever, have the machine serviced at Makita Authorized Service Center.

OPERATION

Mowing

⚠WARNING: Before mowing, clear away sticks and stones from mowing area. Furthermore, clear away any weeds from mowing area in advance.

⚠WARNING: Always wear the safety goggles or safety glasses with side shields when operating the mower.

⚠CAUTION: If the cut grass or foreign object blocks up inside of the mower body, be sure to remove the lock key and battery cartridge and wear gloves before removing the grass or foreign object.

NOTICE: Use this machine for mowing lawn only. Do not mow weeds with this machine.

► Fig.32

Firmly hold the handle with both hands when mowing. The mowing speed guideline is approximately 7 to 14 meters per 10 seconds.

► Fig.33

NOTE: When cutting long lawn or dense lawn, if the unevenness in the length of lawn or poor finish is found after mowing, or decrease of the motor speed is found during mowing, decrease the mowing speed lower than recommended in this manual, or raise the mowing height.

The center lines of the front wheels are guidelines to mowing width. Using the center lines as guidelines, mow in strips. Overlap by one half to one third the previous strip to mow the lawn evenly.

► Fig.34: 1. Mowing width 2. Overlapping area 3. Center line

Change the mowing direction each time to prevent the grass grain pattern from forming in just one direction.

► Fig.35

Periodically check the grass basket for mowed grass. Empty the grass before it becomes full. Before every periodical check, be sure to stop the mower then remove the lock key and the battery cartridge.

NOTICE: Using the mower with the grass basket full prevents smooth blade rotation and places an extra load on the motor, which may cause breakdown.

Mowing long lawn

Do not try to cut long lawn all at once. Instead, mow the lawn in steps. Leave a day or two between mowings until the lawn becomes evenly short.

► Fig.36

NOTE: Mowing long lawn to short length all at once may cause the lawn to die. The cut lawn may also block up inside of the mower body.

NOTE: If the unevenness in the length of lawn or poor finish is found after mowing, or decrease of the motor speed is found during mowing, decrease the mowing speed, or raise the mowing height.

Emptying the grass basket

WARNING: To reduce a risk of accident, regularly check the grass basket for any damage or weakened strength. Replace the grass basket if necessary.

1. Release the switch lever and drive lever (for DLM481/DLM539), or release the switch lever (for DLM480/DLM538).
2. Remove the lock key.
3. Open the rear cover and take out the grass basket by holding the handle.

► Fig.37: 1. Rear cover 2. Handle 3. Grass basket

4. Empty the grass basket.

MAINTENANCE

WARNING: Always be sure that the lock key and battery cartridge are removed from the mower before storing or carrying the mower or attempting to perform inspection or maintenance.

WARNING: Always remove the lock key when the mower is not in use. Store the lock key in a safe place out of reach of children.

WARNING: Wear gloves when performing inspection or maintenance.

WARNING: Always wear the safety goggles or safety glasses with side shields when performing inspection or maintenance.

NOTICE: Never use gasoline, benzine, thinner, alcohol or the like. Discoloration, deformation or cracks may result.

To maintain product SAFETY and RELIABILITY, repairs, any other maintenance or adjustment should be performed by Makita Authorized or Factory Service Centers, always using Makita replacement parts.

Maintenance

1. Remove the lock key and battery cartridges, and then close the battery cover.
2. Put the mower on its side. Clean grass clippings accumulated on the underside of mower deck.
3. Pour water toward the bottom of the machine to which the blade is attached.

NOTICE: Do not wash the machine with high pressure water.

4. Check all nuts, bolts, screws, etc. for tightness.
5. Inspect moving parts for damage, breakage, and wear. Damaged or missing parts should be repaired or replaced.
6. Store the mower in a safe place out of the reach of children.

For DLM481/DLM539

NOTICE: Do not pour water to the area shown in the figure. Pouring water to the motor unit may cause a malfunction of the machine.

► Fig.38: 1. Area where water should not be poured

For DLM481/DLM539

NOTICE: Do not pour water on the machine while the machine is in the upright position as shown in the figure. If the machine is in the upright position, water may pour down the motor unit, and cause a malfunction of the machine.

► Fig.39

Carrying the mower

CAUTION: Before carrying the mower, make sure that the battery cartridge and lock key are removed.

When carrying the mower, hold the rear grip and the lower holding part at the front of the machine with two people as shown in the figure.

► **Fig.40:** 1. Lower holding part 2. Rear grip

Storing

CAUTION: When putting the machine in the upright position, place the machine on a flat and stable surface. If the machine is placed on an unstable surface, the machine may fall over and cause an injury.

Store mower indoors in a cool, dry and locked place. Don't store the mower and charger in locations where the temperature may reach or exceed 40 °C.

1. Remove the battery cartridge and lock key.
2. Turn the knob 90° while pulling the knob on the lower handle to release the locking pin. Perform the same procedure on the other side, and then fold the handle.

► **Fig.41:** 1. Knob

NOTE: Supporting the handle makes it easier to release the locking pin when pulling the knob.

3. Turn the knob on both sides 90°. Make sure that the knobs are securely fixed.

For DLM481/DLM539

► **Fig.42:** 1. Knob

For DLM480/DLM538

► **Fig.43:** 1. Knob

NOTICE: Be careful not to pinch the cords when folding the handle.

4. Loosen the thumb nuts on both sides, and then fold the upper handle as shown in the figure.

► **Fig.44:** 1. Thumb nut 2. Upper handle

5. Place the machine in the upright position.

NOTE: When putting the mower in the upright position, do not hold the handle only, but hold the mower body and handle.

6. Store the grass basket as shown in the figure.

► **Fig.45:** 1. Grass basket

► **Fig.46:** 1. Grass basket

Removing or installing the mower blade

WARNING: The blade coasts for a few seconds after releasing the switch. Do not start any operation until the blade comes to a complete stop.

WARNING: Always remove the lock key and battery cartridge when removing or installing the blade. Failure to remove the lock key and battery cartridge may cause a serious injury.

WARNING: Always wear gloves when handling the blade.

NOTICE: When removing or installing the mower blade, use the box wrench included in the machine package.

Removing the mower blade

1. Put the mower on its side so that the mowing height adjusting lever comes to the lower side.
2. To lock the blade, insert the pin into the hole on the mower body as far as it will go.
3. Turn the bolt counterclockwise with box wrench 17.

► **Fig.47:** 1. Mower blade 2. Pin 3. Box wrench

4. Remove the bolt, and then mower blade.

► **Fig.48:** 1. Blade support 2. Mower blade 3. Bolt 4. Protrusion

NOTICE: When installing the mower blade, make sure that the protrusions on the blade support fit in the holes in the mower blade.

Installing the mower blade

WARNING: Install the mower blade carefully. It has a top/bottom facing.

WARNING: Tighten the bolt clockwise firmly to secure the blade.

WARNING: Make sure that the mower blade and all the fixing parts are installed correctly and tightened securely.

WARNING: When you replace the blades, always follow the instructions provided in this manual.

NOTICE: When tightening the bolt to install the mower blade, apply 19 - 29 N·m as tightening torque (the values are just for a reference).

NOTICE: After installing the mower blades, remove the pin from the mower body.

To install the mower blades, perform the removal procedure in reverse.

TROUBLESHOOTING

Before asking for repairs, conduct your own inspection first. If you find a problem that is not explained in the manual, do not attempt to disassemble the machine. Instead, ask Makita Authorized Service Centers, always using Makita replacement parts for repairs.

State of abnormality	Probable cause (malfunction)	Remedy
Mower does not start.	Two battery cartridges are not installed.	Install two charged battery cartridges.
	Battery problem (under voltage)	Recharge the battery cartridge. If recharging is not effective, replace battery cartridge.
	The lock key is not inserted.	Insert the lock key.
Motor stops running after a little use.	Battery's charge level is low.	Recharge the battery cartridge. If recharging is not effective, replace battery cartridge.
	Cutting height is too low.	Increase the cutting height.
	Cut grass is clogged in the mower.	Remove the clogged grass from the mower.
Motor does not reach maximum RPM.	Battery cartridge is installed improperly.	Install the battery cartridge as described in this manual.
	Battery power is dropping.	Recharge the battery cartridge. If recharging is not effective, replace battery cartridge.
	The drive system does not work correctly.	Ask your local authorized service center for repair.
Mower blade does not rotate: ⇒ stop the mower immediately!	Foreign object such as a branch is jammed near the blade.	Remove the foreign object.
	The drive system does not work correctly.	Ask your local authorized service center for repair.
Abnormal vibration: ⇒ stop the mower immediately!	Blade is imbalanced, excessively or unevenly worn.	Replace the blade.

OPTIONAL ACCESSORIES

⚠ CAUTION: These accessories or attachments are recommended for use with your Makita machine specified in this manual. The use of any other accessories or attachments might present a risk of injury to persons. Only use accessory or attachment for its stated purpose.

If you need any assistance for more details regarding these accessories, ask your local Makita Service Center.

- Mower blade
- Makita genuine battery and charger

NOTE: Some items in the list may be included in the product package as standard accessories. They may differ from country to country.

SPECIFIKATIONER

Modell:	DLM480	DLM481	DLM538	DLM539
Klippbredd (knivdiameter)	480 mm		534 mm	
Hastighet utan belastning	3 100 min ⁻¹		3 000 min ⁻¹	
Artikelnummer för byte av gräsklipparkniv	Rak gräsklipparkniv	191V97-3		191V96-5 / 191W87-2
	Mulchblad	191Y64-6		191Y65-4
Dimensioner (L x B x H)	vid användning	L: 1 690 mm till 1 740 mm B: 530 mm H: 930 mm till 1 060 mm		L: 1 810 mm till 1 870 mm B: 580 mm H: 920 mm till 1 040 mm
	vid förvaring (utan gräsuppsamlare)	580 mm x 530 mm x 870 mm		610 mm x 580 mm x 925 mm
Rullhastighet	–	2,5 - 5,0 km/h	–	2,5 - 5,0 km/h
Märkspänning	36 V likström			
Nettovikt	24,5 - 26,8 kg	27,0 - 29,3 kg	25,5 - 28,0 kg	27,9 - 30,4 kg
Skyddsgrad	IPX4			

- På grund av vårt pågående program för forskning och utveckling kan dessa specifikationer ändras utan föregående meddelande.
- Specifikationer kan variera mellan olika länder.
- Vikten kan variera beroende på tillbehören, inklusive batterikassett. Den lättaste och den tyngsta kombinationen enligt EPTA-procedur 01/2014 visas i tabellen.

Tillgänglig batterikassett och laddare

Batterikassett	BL1815N / BL1820B / BL1830B / BL1840B / BL1850B / BL1860B
Laddare	DC18RC / DC18RD / DC18RE / DC18SD / DC18SE / DC18SF / DC18SH / DC18WC






- Vissa av batterikassetterna och laddarna på listan ovan kanske inte finns tillgängliga i din region.

⚠ VARNING: Använd endast batterikassetter och laddare från listan ovan. Användning av andra batterikassetter och laddare kan orsaka personskada och/eller brand.

⚠ VARNING: Använd inte en strömförsörjning med sladd, som en batteriadapter eller bärbart strömpaket, med denna maskin. Kabeln till sådan anordning kan hindra användningen och leda till personskada.

Symboler

Följande visar symbolerna som kan användas för utrustningen. Se till att du förstår innebörden innan användning.

	Var extra försiktig och uppmärksam.
	Läs igenom bruksanvisningen.
	Fara! Se upp för flygande föremål.
	Avståndet mellan maskinen och åskådare måste vara minst 15 m.
	Placera aldrig dina händer eller fötter nära gräsklipparkniven under gräsklipparen. Gräsklipparknivarna fortsätter att rotera efter det att motorn stängts av.



Ta ut säkerhetsnyckeln före kontroll, justering, rengöring, service, förvaring eller om gräsklipparen lämnas obebakad.



Varning: Koppla från batteriet före underhåll.



Risk för elektrisk stöt. Kontakt med vatten kan orsaka elstöt.



Håll inte på vatten.



Gäller endast inom EU
P.g.a. förekomsten av farliga komponenter i utrustningen kan avfall innehållande elektrisk och elektronisk utrustning, ackumulatörer och batterier ha negativ inverkan på miljön och människors hälsa. Kassera inte elektriska och elektroniska apparater eller batterier ihop med hushållsavfall!

I enlighet med EU-direktiven om avfall som utgår av eller innehåller elektrisk och elektronisk utrustning och om batterier och ackumulatörer och förbrukade batterier och ackumulatörer, och dess införlivande i nationell lagstiftning, bör förbrukad elektrisk och elektronisk utrustning, batterier och ackumulatörer förvaras separat och transporteras till en särskild uppsamlingsplats för kommunalt avfall, som drivs i enlighet med regelverket för miljöskydd. Detta anges av symbolen med den överkryssade soptunnan på hjul som sitter på utrustningen.



Garanterad ljudeffektivnivå enligt EU-direktivet för utomhusbuller.



Ljudeffektivnivå enligt Australia NSW Noise Control Regulation (Bullerreglering)

Avsedd användning

Maskinen är avsedd för gräsklippning.

Buller

Den normala bullernivån för A-belastning är bestämd enligt EN IEC 62841-4-3:

Modell	Uppmåttad ljudeffektivnivå (L_{WA}): (dB(A))	Garanterad ljudeffektivnivå (L_{WA}): (dB(A))
DLM480	92	95
DLM481	92	95
DLM538	95	98
DLM539	95	98

Modell	Ljudtrycksnivå (L_{pA}): (dB(A))	Måttolerans för ljudtrycksnivå (K): (dB(A))
DLM480	84	3
DLM481	84	3
DLM538	85	3
DLM539	85	3

OBS: Det deklarerade bullervärdet har uppmätts i enlighet med standardtestmetoden och kan användas för jämförandet av en maskin med en annan.

OBS: Det deklarerade bulleremissionsvärdet kan också användas i en preliminär bedömning av exponering för vibration.

⚠ VARNING: Använd hörselskydd.

⚠ VARNING: Bulleremissionen under faktisk användning av maskinen kan skilja sig från det deklarerade värdet, beroende på hur maskinen används och särskilt vilken typ av arbetsstycke som behandlas.

⚠ VARNING: Var noga med att identifiera säkerhetsåtgärder för att skydda användaren, vilka är grundade på en uppskattning av graden av exponering för vibrationer under de faktiska användningsförhållandena, (ta, förutom avtryckartiden, med alla delar av användarcykeln i beräkningen, som till exempel tiden då maskinen är avstängd och när den går på tomgång).

Vibration

Det totala vibrationsvärdet (treaxlad vektorsumma) bestämt enligt EN IEC 62841-4-3:

Modell DLM480

Vibrationsemission (a_{rh}): 2,5 m/s² eller lägre
Måttolerans (K): 1,5 m/s²

Modell DLM481

Vibrationsemission (a_{rh}): 2,5 m/s² eller lägre
Måttolerans (K): 1,5 m/s²

Modell DLM538

Vibrationsemission (a_{rh}): 2,5 m/s² eller lägre
Måttolerans (K): 1,5 m/s²

Modell DLM539

Vibrationsemission (a_{rh}): 2,5 m/s² eller lägre
Måttolerans (K): 1,5 m/s²

OBS: Det deklarerade totala vibrationsvärdet har uppmätts i enlighet med standardtestmetoden och kan användas för jämförandet av en maskin med en annan.

OBS: Det deklarerade totala vibrationsvärdet kan också användas i en preliminär bedömning av exponering för vibration.

⚠ VARNING: Vibrationsemissionen under faktisk användning av maskinen kan skilja sig från det deklarerade värdet, beroende på hur maskinen används och särskilt vilken typ av arbetsstycke som behandlas.

⚠ VARNING: Var noga med att identifiera säkerhetsåtgärder för att skydda användaren, vilka är grundade på en uppskattning av graden av exponering för vibrationer under de faktiska användningsförhållandena, (ta, förutom avtryckartiden, med alla delar av användarcykeln i beräkningen, som till exempel tiden då maskinen är avstängd och när den går på tomgång).

Försäkran om överensstämmelse

Gäller endast inom EU

Försäkran om överensstämmelse ingår i bilaga A till denna bruksanvisning.

SÄKERHETSVARNINGAR

Allmänna säkerhetsvarningar för maskiner

⚠ VARNING Läs alla säkerhetsvarningar, instruktioner, illustrationer och specifikationer som medföljer detta elverktyg. Underlåtenhet att följa alla instruktioner nedan kan leda till elstötar, brand och/eller allvariga personskador.

Spara alla varningar och instruktioner för framtida referens.

Termen "maskin" som anges i varningarna hänvisar till din eldrivna maskin (sladdansluten) eller batteridrivna maskin (sladdlös).

Säkerhetsvarningar för batteridrivna gräsklippare

1. Använd inte gräsklipparen vid dåliga väderförhållanden, speciellt inte vid risk för åska. Då minskar risken att bli träffad av blixten.
2. Kontrollera noggrant området för vilda djur inför användandet av gräsklipparen. Vilda djur kan skadas av gräsklipparen under användning.
3. Kontrollera noggrant området där gräsklipparen ska användas och rensa bort alla stenar, grenar, sladdar, ben och andra främmande föremål. Kastade föremål kan leda till personskador.
4. Inför användandet av gräsklipparen ska bladet och bladmonteringen kontrolleras för slitage och skador. Slitna eller skadade delar ökar risken för skador.
5. Kontrollera regelbundet gräsfångaren efter slitage eller försämring. En sliten eller skadad gräsfångare kan öka risken för personskador.
6. Se till att skydden sitter på plats. Skydden måste vara i fungerande skick och monterade på rätt sätt. Skydd som sitter löst, är skadade eller inte fungerar på rätt sätt kan leda till personskador.
7. Håll alla kylluftinlopp fria från skräp. Blockerade luftinlopp och skräp kan resultera i överhettning eller brandrisk.
8. Bär alltid halkfria skyddsskor när du använder gräsklipparen. Använd inte gräsklipparen barfota eller med öppna skor. Detta minskar chansen för fotskador via kontakt med det roterande bladet.
9. Bär alltid långbyxor när du använder gräsklipparen. Exponerad hud ökar risken för skador från kastade objekt.
10. Använd inte gräsklipparen i vått gräs. Gå, spring aldrig. Detta minskar risken att halka och ramla, vilket kan leda till personskada.
11. Använd inte gräsklipparen i mycket branta sluttningar. Detta minskar risken att tappa kontrollen, halka och ramla, vilket kan leda till personskada.

12. Vid arbeten i sluttningar, se alltid till att stå stadigt, alltid arbeta tvärs med sluttning, aldrig upp- eller nedåt, och utöva extrem försiktighet vid riktningssbyte. Detta minskar risken att tappa kontrollen, halka och ramla, vilket kan leda till personskada.
13. Var mycket försiktig när du vänder gräsklipparen eller drar den mot dig. Var alltid uppmärksam om din omgivning. Detta minskar risken för att snubbla vid användning.
14. Rör inte blad eller andra farliga rörliga delar medan de fortfarande är i rörelse. Detta minskar risken för skador från rörliga delar.
15. När du tar bort material som fastnat eller rengör gräsklipparen, se då till att alla strömbrytare är avstängda och att batteripaketet är fränkopplat. Övontad användning av gräsklipparen kan leda till allvarig personskada.

Ytterligare säkerhetsvarningar

Utbildning

1. Läs anvisningarna noggrant. Var förtrogen med styrreglagen och korrekt användning av gräsklipparen.
2. Låt aldrig gräsklipparen användas av barn eller av personer som inte känner till dessa anvisningar. Lokala bestämmelser kan ange en åldersgräns för användaren.
3. Använd aldrig gräsklipparen när personer (särskilt barn) eller djur finns i närheten.
4. Glöm inte att användaren är ansvarig för olyckor eller eventuell fara gentemot andra personer och deras egendom.

Förberedelse

1. Kontrollera att det inte finns några personer i området före gräsklippningen. Stäng av gräsklipparen om någon närmar sig.
2. Sätt inte i säkerhetsnyckeln i gräsklipparen förrän den är klar att användas.
3. Se upp för hål, rötter, knölar, stenar eller andra dolda föremål. Ojämn terräng kan vara en halkrisk. Högt gräs kan dölja föremål.
4. Sätt inte i eller ta ut säkerhetsnyckeln i regn.

Användning

1. Stoppa gräsklipparen och ta ut säkerhetsnyckeln och se till att alla rörliga delar har stannat helt
 - när du lämnar gräsklipparen;
 - innan du tar bort något som fastnat eller rensar utkastningsrännan;
 - före kontroll, rengöring eller arbete på gräsklipparen.
2. Följ dessa steg om gräsklipparen slår emot ett främmande föremål:
 - Stoppa gräsklipparen, släpp säkerhetsgreppet och vänta tills kniven stannat helt.
 - Ta ut säkerhetsnyckeln och batterikassetten.
 - Kontrollera gräsklipparen grundligt så att inte några skador har uppstått.
 - Byt ut kniven om den på något sätt är skadad. Reparera eventuell skada innan du startar om och fortsätter använda gräsklipparen.

3. Om gräsklipparen börjar vibrera på onormalt sätt eller du lägger märke till något onormalt, följ omedelbart dessa steg:
 - Stoppa gräsklipparen, släpp säkerhetsgreppet och vänta tills kniven stannat helt.
 - Ta ut säkerhetsnyckeln och batterikassetten.
 - Inspektera efter skada och byt ut eller reparera alla skadade delar.
 - Kontrollera om det finns lösa delar och dra åt dem.
4. Använd aldrig gräsklipparen med skadade skydd eller utan säkerhetsutrustning, t. ex. stenskydd och/eller gräsupsamlare, på plats.
5. Använd endast gräsklipparen i dagsljus eller i god belysning.
6. Starta gräsklipparen omsorgsfullt enligt anvisningarna och med fötterna på säkert avstånd från knivarna.
7. Var försiktig så att du inte skadar händer och fötter på gräsklipparkniven.
8. Stoppa knivarna om gräsklipparen måste lutas för att transporteras över gräsfria ytor och när maskinen transporteras till och från området som ska klippas.
9. Luta inte gräsklipparen när du startar motorn, såvida den inte måste lutas för att startas. I så fall ska den inte lutas mer än vad som är absolut nödvändigt och lyft endast den delen som är längst bort från användaren. Se alltid till att båda händerna är i arbetsläge innan du ställer ner gräsklipparen på marken.
10. Placera inte händer och fötter i närheten av eller under roterande delar. Stå alltid långt ifrån utkastöppningen.
11. Håll alltid stadigt i handtaget.
12. Greppa inte de oskyddade knivbladen eller kniveggarna när du tar upp eller håller i gräsklipparen.
13. Håll händer och fötter borta från rörliga knivar. Försiktighet – Knivarna stannar inte omedelbart när gräsklipparen stängs av.
14. Försök aldrig göra justeringar av klipphöjden medan gräsklipparen är igång, om den har funktionen klipphöjdsinställning.
15. Släpp säkerhetsgreppet och vänta tills kniven har stannat innan du korsar en uppfart, gångväg, väg eller annat grustäckt område. Ta också ut säkerhetsnyckeln om du lämnar gräsklipparen, sträcker dig för att plocka upp eller ta bort något som ligger i vägen, eller om du på något annat sätt distraheras från arbetet.
16. Starta inte gräsklipparen när du står framför utkastöppningen.
17. Rikta aldrig utloppsmaterial mot någon. Undvik att rikta utloppsmaterial mot en vägg eller hinder. Material kan studsas tillbaka på användaren. Stanna bladet när du korsar grusvägar.
18. Dra inte gräsklipparen baklänges såvida det inte är absolut nödvändigt. När du är tvingad att backa gräsklipparen från ett staket eller liknande hinder måste du titta ner och bakom dig innan och medan du backar.
19. Stäng av motorn och vänta tills bladen har stannat innan du tar bort gräsupsamlaren. Tänk på att klingan inte stannar omedelbart när maskinen stängs av.
20. Var uppmärksam på var du har fötterna när du använder maskinen på lerig mark, i våta sluttningar eller hala ställen.
21. Undvik att arbeta i dåliga miljöer där utökad trötthet kan förväntas.
22. Använd inte maskinen under dåliga väderförhållanden där sikten är begränsad. Att inte följa detta kan leda till fall eller felaktig funktion p.g.a. dålig sikt.
23. Låt inte maskinen åka ner i någon pöl.
24. När våta löv eller smuts fastnar på sugöppningen (ventilationsfönstret) på grund av regnet, ska det tas bort.
25. Använd inte maskinen i snö.
26. Om det avklippta gräset är vått är det troligt att det fastnar inuti maskinen. Kontrollera regelbundet maskinens skick och ta bort gräs som fastnat där det behövs.
27. Var uppmärksam på rör och kablar när maskinen används.

Underhåll och förvaring

1. Inspektera och underhåll gräsklipparen regelbundet.
2. Se till att alla muttrar, bultar och skruvar är åtdragna för att alltid bibehålla utrustningen i säkert arbetsskick.
3. Kontrollera gräsupsamlaren regelbundet efter slitage eller försämring. Se alltid till att gräsupsamlaren är tom när maskinen förvaras. Byt ut gräsupsamlaren om den är sliten mot en ny från fabriken för säker användning.
4. Använd endast tillverkarens originalknivar som specificerats i denna bruksanvisning.
5. Var försiktig vid justering av gräsklipparen för att undvika att fastna med fingrarna mellan knivar i rörelse och fasta maskindelar.
6. Kontrollera knivens monteringsbult regelbundet så att den är ordentligt åtdragen.
7. Låt alltid gräsklipparen svalna innan du ställer in den för förvaring.
8. Vid underhåll av knivarna bör du vara uppmärksam på att de fortfarande kan snurra även om strömkällan är avstängd.
9. Ta aldrig bort eller mixra med säkerhetsanordningar. Kontrollera regelbundet korrekt funktion. Gör aldrig något som stör säkerhetsanordningarnas avsedda funktion eller minskar det skydd som säkerhetsanordningarna ger.
10. Lämna inte maskinen obevakad utomhus i regn.
11. Tvätta inte av maskinen med högtrycksvattenstråle.
12. När du tvättar maskinen, se då till att ta bort batteriet och säkerhetsnyckeln och stäng batterikåpan, och håll vatten mot botten av maskinen som kniven sitter fast på.
13. När maskinen tas i förvar, undvik då direkt solljus och regn, och förvara den på en plats där det inte blir varmt eller fuktigt.
14. Utför inspektion eller underhåll någonstans där regn kan undvikas.

15. **Ta efter användning bort smuts och torka maskinen fullständigt innan lagring.** Beroende på årstid eller område finns det risk för funktionsfel p.g.a. frystemperatur.

El- och batterisäkerhet

1. **Öppna inte eller förstör batteriet/batterierna.** Elektrolyt som kommer ut är frätande och kan ge ögon- eller hudskador. Det kan vara giftigt vid förtäring.
2. **Ladda inte batteriet i regn eller i fuktiga eller våta utrymmen.**
3. **Ladda inte batteriet utomhus.**
4. **Hantera inte laddaren, däribland laddarstickproppen, och laddarens kopplingar med våta händer.**
5. **Byt inte ut batteriet i regn.**
6. **Låt inte batteripolen bli blöt av vätska som t.ex. vatten, och ha inte batteriet i vätska.** Batteriet får inte lämnas i regn, och inte heller laddas, användas eller lagras på ett fuktigt eller vått ställe. Om polen blir våt eller vätska kommer in i batteriet, kan det kortslutas och det finns risk för överhettning, brand eller explosion.
7. **När batteriet tagits bort från maskinen eller laddaren ska du se till att fästa batterikåpan vid batteriet och förvara det torr.**
8. **Byt inte ut batteriet med våta händer.**
9. **Undvik farliga miljöer. Använd inte maskinen på fuktiga eller blöta områden och utsätt den inte för regn.** Vatten som kommer in i maskinen ökar risken för elektrisk stöt.
10. **Om batterikassetten blir våt, töm ut vattnet inuti den och torka sedan av den med en torr trasa. Torka batterikassetten helt och hållet på en torr plats före användning.**

SPARA DESSA ANVISNINGAR.

⚠ VARNING: GLÖM INTE att också fortsättningsvis strikt följa säkerhetsanvisningarna för maskinen även efter att du blivit van att använda den. Vid **FELAKTIG HANTERING** av maskinen eller om inte säkerhetsanvisningarna i denna bruksanvisning följs kan följden bli allvarliga personskador.

Viktiga säkerhetsanvisningar för batterikassetten

1. Innan batterikassetten används ska alla instruktioner och varningsmärken på (1) batteriladdaren, (2) batteriet och (3) produkten läsas.
2. **Montera inte isär eller mixtra med batterikassetten.** Det kan leda till brand, överdriven värme eller explosion.
3. **Om drifttiden blivit avsevärt kortare ska användningen avbrytas omedelbart.** Det kan uppstå överhettning, brännskador och t o m en explosion.
4. **Om du får elektrolyt i ögonen ska de sköljas med rent vatten och läkare uppsöks omedelbart.** Det finns risk för att synen förloras.

5. **Kortslut inte batterikassetten.**

- (1) **Rör inte vid polerna med något strömförande material.**
 - (2) **Undvik att förvara batterikassetten tillsammans med andra metallobjekt som t.ex. spikar, mynt o.s.v.**
 - (3) **Skydda batteriet mot vatten och regn. En batterikortslutning kan orsaka ett stort strömflojde, överhettning, brand och maskinhaveri.**
6. **Förvara och använd inte verktyget och batterikassetten på platser där temperaturen kan nå eller överstiga 50 °C.**
 7. **Bränn inte upp batterikassetten även om den är svårt skadad eller helt utsliten. Batterikassetten kan explodera i öppen eld.**
 8. **Spika inte i, krossa, kasta, tappa eller slå batterikassetten mot hårda föremål.** Dylka handlingar kan leda till brand, överdriven värme eller explosion.
 9. **Använd inte ett skadat batteri.**
 10. **De medföljande litiumjonbatterierna är föremål för kraven i gällande lagstiftning för farligt gods.** För kommersiella transporter (av t.ex. tredje parter som speditiönsfirmor) måste de särskilda transportkrav som anges på emballaget och etiketter iakttas. För att förbereda den produkt som ska avsändas krävs att du konsulterar en expert på riskmaterial. Var också uppmärksam på att det i ditt land kan finnas ytterligare föreskrifter att följa. Tejpa över eller maskera blottade kontakter och packa batteriet på sådant sätt att det inte kan röra sig fritt i förpackningen.
 11. **När batterikassetten ska kasseras måste den tas bort från maskinen och kasseras på ett säkert sätt. Följ lokala föreskrifter beträffande avfallshandtering av batteriet.**
 12. **Använd endast batterierna med de produkter som specificerats av Makita.** Att använda batterierna med ej godkända produkter kan leda till brand, överdriven värme, explosion eller utläckande elektrolyt.
 13. **Om maskinen inte används under en lång tid måste batteriet tas bort från maskinen.**
 14. **Under och efter användning kan batterikassetten bli het vilket kan orsaka brännskador eller lättare brännskador.** Var uppmärksam på hur du hanterar varma batterikassetter.
 15. **Vidrör inte verktygets kontakter direkt efter användning eftersom de kan bli heta och orsaka brännskador.**
 16. **Låt inte flisor, damm eller smuts fastna i kontakterna, i hål eller spår i batterikassetten.** Det kan leda till att verktyget eller batterikassetten värms upp, fattar eld, går sönder eller inte fungerar som de ska, vilket kan orsaka brännskador eller personskador.
 17. **Såvida inte verktyget stöder arbeten i närheten av högspänningsledning får batterikassetten inte användas i närheten av en högspänningsledning.** Det kan leda till att verktyget eller batterikassetten går sönder eller inte fungerar korrekt.
 18. **Förvara batteriet utom räckhåll för barn.**

SPARA DESSA ANVISNINGAR.

⚠ FÖRSIKTIGT: Använda endast äkta Makita-batterier. Användning av oäkta Makita-batterier eller batterier som har manipulerats kan leda till person- och utrustningsskador eller till att batteriet fattar eld. Det upphäver också Makitas garanti för verktyget och laddaren.

Tips för att uppnå batteriets maximala livslängd

1. Ladda batterikassetten innan den är helt urladdad. Stanna alltid maskinen och ladda batterikassetten när du märker att maskinen blir svagare.
2. Ladda aldrig en fulladdad batterikasset. Överladdning förkortar batteriets livslängd.
3. Ladda batterikassetten vid en rumstemperatur på 10 °C - 40 °C. Låt en varm batterikasset svalna innan den laddas.
4. När batterikassetten inte används ska den tas bort från verktyget eller laddaren.
5. Ladda batterikassetten om du inte har använt den på länge (mer än sex månader).

MONTERING

⚠ VARNING: Se alltid till att ta ut säkerhetsnyckeln och batterikassetten innan du utför något arbete på gräsklipparen. Underlåtelse att ta ut säkerhetsnyckeln och batterikassetten kan leda till allvarlig personskada på grund av oavsiktlig start.

⚠ VARNING: Starta aldrig gräsklipparen om den inte är komplett monterad. Användning av en delvis monterad gräsklippare kan leda till allvarlig personskada på grund av oavsiktlig start.

Montera handtaget

OBSERVERA: Var försiktig så att sladden inte kläms mellan handtagen när handtagen monteras. Om sladden är skadad kanske inte gräsklipparens startknapp fungerar.

1. Passa in hålet i det nedre handtaget med hålet i det övre handtaget, sätt i bulten från utsidan, och dra sedan åt den låtrade muttern från insidan. Utför samma förfarande på den andra sidan.

För DLM481/DLM539

- **Fig.1:** 1. Bult 2. Låtråd mutter 3. Nedre handtaget 4. Övre handtaget

För DLM480/DLM538

- **Fig.2:** 1. Bult 2. Låtråd mutter 3. Nedre handtaget 4. Övre handtaget

2. Vrid vredet 90° samtidigt som du drar det nedre handtagets vred så att låsstiftet frigörs. Utför samma förfarande på den andra sidan. Hög handtaget och vrid sedan vredet på bägge sidor 90°. Se till att vreden är ordentligt låsta.

► **Fig.3:** 1. Vred

OBS: Om du stöder handtaget är det lättare att frigöra låsstiftet när du drar i vredet.

Ta bort mulchingpluggen

1. Öppna den bakre luckan.

► **Fig.4:** 1. Bakre hölje

2. Lyft mulchingpluggen något och avlägsna den sedan.

► **Fig.5:** 1. Mulchingplugg

Montera gräsuppsamlaren

1. Ta upp gräsuppsamlarens övre klämma.

► **Fig.6:** 1. Övre klämma

2. Sätt in ramen i gräsuppsamlaren så långt det går samtidigt som du håller i ramens handtag.

► **Fig.7:** 1. Handtag

OBSERVERA: Sätt inte in handtaget i gräsuppsamlaren. Se till att sätta in ramen längs gräsuppsamlarens skarv.

3. Se till att gräsuppsamlaren inte hänger löst i hörnen.

► **Fig.8**

4. Öppna den övre klämman och fäst den på ramen.

► **Fig.9**

5. Sätt fast alla andra klämmor enligt figuren. Se till att alla klämmor sitter ordentligt på ramen.

► **Fig.10:** 1. Klämma

Installera eller ta bort gräsuppsamlaren

Följ stegen nedan för att installera gräsuppsamlaren.

1. Öppna den bakre luckan.

► **Fig.11:** 1. Bakre hölje

2. Håll i gräsuppsamlarens handtag och haka sedan fast gräsuppsamlaren på stängan på gräsklipparen enligt figuren.

► **Fig.12:** 1. Gräsuppsamlare 2. Handtag 3. Stång

Ta bort gräsuppsamlaren genom att öppna det bakre höljet och sedan ta ut gräsuppsamlaren med hjälp av handtaget.

Montera mulchingpluggen

1. Öppna den bakre luckan och ta sedan bort gräsuppsamlaren.

► **Fig.13:** 1. Bakre hölje 2. Gräsuppsamlare

2. Sätt fast mulchingpluggen genom att trycka den så långt det går så att de utskjutande delarna på mulchingpluggen passar in i hålen i maskinen.

► **Fig.14:** 1. Mulchingplugg 2. Utsprång

FUNKTIONSBE- SKRIVNING

Montera eller demontera batterikassetten

⚠ FÖRSIKTIGT: Stäng alltid av maskinen innan du monterar eller tar bort batterikassetten.

⚠ FÖRSIKTIGT: Håll stadigt i maskinen och batterikassetten när du installerar eller tar bort batterikassetten. I annat fall kan det leda till att maskinen och batterikassetten glider ur händerna på dig och blir skadade och orsakar personskada.

⚠ FÖRSIKTIGT: Se till att du läser batterikåpan före användning. I annat fall kan lera, smuts eller vatten orsaka skada på produkten eller batterikassetten.

⚠ FÖRSIKTIGT: För alltid in batterikassetten helt tills den röda indikatorn inte längre syns. I annat fall kan den plötsligt lossna från maskinen och skada dig eller någon annan.

⚠ FÖRSIKTIGT: Montera inte batterikassetten med våld. Om kassetten inte lätt glider på plats är den felaktigt insatt.

⚠ FÖRSIKTIGT: Håll stadigt i batterikåpan när du monterar eller tar bort batterikassetten.

OBS: Maskinen fungerar inte med endast en batterikasset.

För att montera batterikassetten.

1. Dra upp säkerhetspärren och öppna sedan batterikåpan.
► **Fig.15:** 1. Batterikåpa 2. Säkerhetspär
2. Rikta in batterikassetten tunga med öppningen på maskinen och skjut sedan in kassetten tills den låser fast med ett litet klick.
► **Fig.16:** 1. Batterikasset
3. Sätt i säkerhetsnyckeln på platsen som visas i figuren, så långt det går.
► **Fig.17:** 1. Säkerhetsnyckel
4. Stäng batterikåpan och tryck på den tills den sitter fast med läsreglaget.

Ta bort batterikassetten:

1. Dra upp säkerhetspärren och öppna batterikåpan.
2. Dra ur batterikassetten från maskinen samtidigt som du skjuter på knappen på kassetten framsida.
3. Dra ut säkerhetsnyckeln.
4. Stäng batterikåpan.

Skyddssystem för maskinen/ batteriet

Maskinen är utrustad med ett batteriskyddssystem. Detta system bryter automatiskt strömmen till motorn för att förlänga maskinens och batteriets livslängd. Maskinen stannar automatiskt under användningen om maskinen eller batteriet hamnar i en av följande situationer:

Överbelastningsskydd

När batteriet används på ett sätt som gör att den drar onormalt mycket ström, stannar maskinen automatiskt och lampan för nätspänning blinkar grönt. När detta sker stänger du av maskinen och upphör med arbetet som gjorde att den överbelastades. Starta därefter upp maskinen igen.

Överhettningsskydd

När maskinen eller batteriet överhettas stannar maskinen automatiskt och lampan börjar blinka. I sådant fall ska du låta maskinen och batteriet svalna innan maskinen sätts på igen.

Överurladdningsskydd

När batterikapaciteten inte är tillräcklig stannar maskinen automatiskt och lampan börjar blinka rött. Ta i så fall bort batteriet från maskinen och ladda batterikassetterna eller byt ut batterikassetterna mot fulladdade.

Skydd mot andra felorsaker

Skyddssystemet är också utformat för att hantera andra orsaker som skulle kunna skada maskinen, och gör att maskinen kan stanna automatiskt. Om maskinen stannat tillfälligt eller helt slutat fungera utför du följande steg för att åtgärda problemen.

1. Stäng av maskinen och slå sedan på den igen för att starta om den.
2. Ladda upp batteriet/batterierna eller byt ut dem mot uppladdade batterier.
3. Låt maskinen och batteriet/batterierna svalna.

Om återställning av skyddssystemet inte leder till någon förbättring, kontakta ditt lokala Makita Service Center.

OBSERVERA: Om verktyget stannar av en orsak som inte är angiven ovan, se avsnittet Felsökning.

Indikerar kvarvarande batterikapacitet

► **Fig.18:** 1. Batteriindikator

När återstående batterikapacitet blir låg blinkar batteriindikatorn på den aktuella batterisidan. Vid ytterligare användning stoppar maskinen och batteriindikatorn tänds. Ladda batterikassetten om detta inträffar.

Indikerar kvarvarande batterikapacitet

Endast för batterikassetter med indikator

Tryck på kontrollknappen på batterikassetten för att se kvarvarande batterikapacitet. Indikatorlamporna lyser i ett par sekunder.

► **Fig.19:** 1. Indikatorlampor 2. Kontrollknapp

Indikatorlampor			Kvarvarande kapacitet
Upplyst	Av	Blikar	
■	□	◻	75% till 100%
■ ■ ■ ■			
■ ■ ■ □			50% till 75%
■ ■ □ □			25% till 50%
■ □ □ □			0% till 25%
◻ □ □ □			Ladda batteriet.
■ □ □ □			Batteriet kan ha skadats.
□ □ ■ ■			

OBS: Beroende på användningsförhållanden och den omgivande temperaturen kan indikationen skilja sig lätt från den faktiska batterikapaciteten.

OBS: Den första (längst till vänster) indikatorlamporna kommer att blinka när batteriskyddssystemet fungerar.

Strömbrytare

⚠ VARNING: Stäng alltid av strömbrytaren när verktyget inte används.

► **Fig.20:** 1. Lampa för nätspänning 2. Strömbrytare

Tryck på strömbrytaren för att sätta på maskinen. Strömbrytarlamporna tänds gröna. För att stänga av maskinen trycker du på strömbrytaren igen.

OBS: Om lamporna för nätspänning börjar lysa rött eller blinka i rött eller grönt, se instruktionerna för skyddssystemet för maskinen/batteriet.

OBS: Denna maskin har en automatisk avstängningsfunktion. För att undvika oavsiktlig start kommer strömbrytaren automatiskt att stänga ner när avtryckaren eller körspärren (om sådan finns) inte aktiveras under en viss tid efter att strömbrytaren aktiverats.

Avtryckarens funktion

⚠ VARNING: Innan du monterar batterikassetten ska du alltid kontrollera att säkerhetsgreppet fungerar korrekt och går tillbaka till ursprungsläget när det släpps. Att använda maskinen med ett felaktigt säkerhetsgrepp kan leda till förlorad kontroll och allvarlig personskada.

OBS: Gräsklipparen startar inte utan att startknappen trycks in även om du drar in säkerhetsgreppet.

OBS: Det kan hända att gräsklipparen inte startar på grund av överbelastning när du försöker klippa långt eller tätt gräs. Öka i sådant fall klipphöjden.

Denna gräsklippare är utrustad med en säkerhetsnyckel och handtagsbrytare. Om du lägger märke till något onormalt med antingen säkerhetsnyckeln eller brytaren, ska du genast sluta använda maskinen och låta ditt närmaste auktoriserade servicecenter för Makita kontrollera dem.

För DLM481/DLM539

1. Sätt i batterikassetten. Sätt i säkerhetsnyckeln och stäng sedan batterikåpan.
2. Tryck på strömbrytaren.
3. Dra säkerhetsgreppet mot dig medan du håller ner startknappen. Släpp startknappen så fort motorn startar.

► **Fig.21:** 1. Startknapp 2. Säkerhetsgrepp

4. Håll in säkerhetsgreppet och tryck körspärren framåt och håll den så att bakhjulen körs.

► **Fig.22:** 1. Körspärr

OBS: Du kan driva bakhjulen genom att trycka körspärren framåt och hålla den utan att dra i säkerhetsgreppet.

5. Stanna maskinen genom att släppa körspärren och säkerhetsgreppet.

För DLM480/DLM538

1. Sätt i batterikassetten. Sätt i säkerhetsnyckeln och stäng sedan batterikåpan.
 2. Tryck på strömbrytaren.
 3. Dra säkerhetsgreppet mot dig medan du håller ner startknappen. Släpp startknappen så fort motorn startar.
- **Fig.23:** 1. Startknapp 2. Säkerhetsgrepp
4. Släpp säkerhetsgreppet för att stanna motorn.

Justering av klipphöjden

⚠ VARNING: Placera aldrig handen eller foten under gräsklipparen när du justerar klipphöjden.

⚠ VARNING: Kontrollera alltid att spaken sitter ordentligt i spåret före användning.

Klipphöjden kan justeras mellan 20 mm och 100 mm.

Ta bort säkerhetsnyckeln och dra sedan justeringsspaken för klipphöjd ut från gräsklipparen och flytta den till önskad klipphöjd.

► **Fig.24:** 1. Justeringsspak för klipphöjd

I tabellen nedan visas förhållandet mellan numret på gräsklipparstommen och uppskattad klipphöjd.

Nummer	Klipphöjd
1	20 mm
2	26 mm
3	32 mm
4	40 mm
5	49 mm
6	59 mm
7	70 mm
8	81 mm
9	92 mm
10	100 mm

Håll det nedre handtaget med ena handen och flytta sedan justeringsspaken för klipphöjd med den andra handen.

► **Fig.25:** 1. Justeringsspak för klipphöjd 2. Nedre handtaget

OBS: Klipphöjdsiffrorna bör endast användas som en riktlinje. Beroende på gräsmattans eller underlagets förhållanden kan den verkliga klipphöjden skilja sig något från den inställda höjden.

OBS: Gör en testklippning i ett mindre synligt område för att få önskad höjd.

Indikator för gräsnivå

Indikatorn för gräsnivå visar mängden gräs som har klippts. Om gräsuppsamlaren inte är full flyter indikatorn medan knivarna är igång.

► **Fig.26:** 1. Indikator för gräsnivå

När gräsuppsamlaren är nästan full flyter inte indikatorn medan knivarna är igång. Stoppa i så fall klippningen omedelbart och töm uppsamlaren.

► **Fig.27:** 1. Indikator för gräsnivå

OBS: Denna indikator ger en grov uppskattning. Beroende på förhållandena inuti uppsamlaren fungerar eventuellt inte denna indikator på rätt sätt.

Justera handtagens höjd

Handtagshöjden kan justeras i två steg.

1. Håll i det nedre handtaget och vrid vredet 90° samtidigt som du drar det nedre handtagets vred så att låsstiftet frigörs. Utför samma förfarande på den andra sidan.

► **Fig.28:** 1. Nedre handtaget 2. Vred

OBS: Om du stöder handtaget är det lättare att frigöra låsstiftet när du drar i vredet.

2. Justera handtagets höjd och vrid sedan vredet på bägge sidor 90°. Se till att vreden är ordentligt låsta.

► **Fig.29:** 1. Vred

Justera rullhastigheten

För DLM481/DLM539

► **Fig.30:** 1. Hastighetsspak

Rullhastigheten kan ställas in med hastighetsspaken. Minska hastigheten genom att dra spaken mot dig och öka den genom att trycka den framåt.

Använda mulchingpluggen

Med mulchingpluggen kan du lämna det klippta gräset på marken utan att samla upp gräset i gräsuppsamlaren. När du använder maskinen med mulchingpluggen måste du se till att ta bort gräsuppsamlaren.

OBSERVERA: När maskinen används med mulchingpluggen måste du se till att gräsets totala längd efter klippning är 30 mm eller mer, och att den kapade längden är 15 mm eller mindre.

► **Fig.31:** (1) 30 mm eller mer (2) 15 mm eller mindre

Använda bakutkastet

Med bakutkastet kan du kasta ut det klippta gräset på marken från maskinens baksida utan att samla upp gräset i gräsuppsamlaren.

När du använder maskinen med bakutkastet, se då till att ta bort gräsuppsamlaren och mulchingpluggen, och stäng det bakre höljet.

Elektronisk funktion

Maskinen är utrustad med elektroniska funktioner för enkel användning.

- Mjukstart vid körning
Mjukstartsfunktionen minimerar ryck vid uppstarten och gör att maskinen får en mjuk start.
- Elektronisk broms
Denna maskin är försedd med en elektronisk broms. Om maskinen hela tiden misslyckas med att snabbt stoppa gräsklipparbladen efter att säkerhetsgreppet släppts, ska maskinen servas på Makita-auktoriserat servicecenter.

ANVÄNDNING

Gräsklippning

⚠ VARNING: Före gräsklippningen ska alla pinnar och stenar i klippområdet tas bort. Ta också bort ogräs i förväg.

⚠ VARNING: Bär alltid korgglasögon eller skyddsglasögon med sidoskydd när du använder gräsklipparen.

⚠ FÖRSIKTIGT: Om avklippt gräs eller främmande föremål täpper till inuti gräsklipparen, se då till att ta bort säkerhetsnyckeln och batterikassetten och ha handskar på innan du tar bort gräset eller det främmande föremålet.

OBSERVERA: Använd endast denna maskin för att klippa gräsmattor. Klipp inte ogräs med denna maskin.

► Fig.32

Håll stadigt i handtaget med båda händerna vid gräsklippningen. Riktlinjen för gräsklippning är ca 7 till 14 meter per 10 sekunder.

► Fig.33

OBS: När du klipper en lång eller tät gräsmatta och gräsmattan är ojämn eller ytan är dålig efter klippning, eller om motorhastigheten minskar under klippningen, ska du minska klipp hastigheten till en hastighet som är lägre än den som rekommenderas i denna bruksanvisning eller höja klipphöjden.

Främjulens centrumlinjer är klippbreddens riktlinje.

Använd centrumlinjerna som riktlinjer, klipp i rader. Överlappa med en halv till en tredjedel på tidigare rad för att klippa gräsmattan jämnt.

► Fig.34: 1. Klippbredd 2. Överlappande område 3. Centrumlinje

Ändra klippriktning varje gång för att förhindra mönster i gräsmattan i bara en riktning.

► Fig.35

Kontrollera då och då att gräsupsamlaren inte är full. Töm gräsupsamlaren innan den är full. Före varje regelbunden kontroll ska gräsklipparen stängas av och säkerhetsnyckeln och batterikassetten tas ut.

OBSERVERA: Användning av gräsklipparen med en full gräsupsamlare förhindrar smidig knivrotation och lägger en extra belastning på motorn, vilket kan orsaka motorstopp.

Klippa långt gräs

Försök inte att klippa långt gräs på en och samma gång. Klipp istället gräsmattan stegvis. Lämna en eller två dagar mellan klippningarna tills gräsmattan är jämn och kort.

► Fig.36

OBS: Om du på en gång klipper långt gräs kort kan det göra att gräsmattan dör. Det klippta gräset kan också täppa igen undersidan av gräsklipparen.

OBS: Om gräsmattan är ojämn eller ytan är dålig efter klippning, eller om motorhastigheten minskar under klippningen, ska du minska klipp hastigheten eller höja klipphöjden.

Tömma gräsupsamlaren

⚠ VARNING: För att undvika risken för olyckor ska gräsupsamlaren kontrolleras regelbundet så att skada eller försvagning inte har uppstått. Byt ut gräsupsamlaren om så krävs.

1. Släpp säkerhetsgreppet och körspärren (för DLM481/DLM539), eller släpp säkerhetsgreppet (för DLM480/DLM538).

2. Ta ut säkerhetsnyckeln.

3. Öppna det bakre höljet och ta ut gräsupsamlaren med hjälp av handtaget.

► Fig.37: 1. Bakre hölje 2. Handtag
3. Gräsupsamlare

4. Töm gräsupsamlaren.

UNDERHÅLL

⚠ VARNING: Se alltid till att säkerhetsnyckeln och batterikassetten tas ut från gräsklipparen innan du tar den i förvar, bär den eller försöker utföra kontroll eller underhåll på den.

⚠ VARNING: Ta alltid ut säkerhetsnyckeln när gräsklipparen inte används. Förvara säkerhetsnyckeln på en säker plats utom räckhåll för barn.

⚠ VARNING: Bär handskar vid kontroll eller underhåll.

⚠ VARNING: Bär alltid korgglasögon eller skyddsglasögon med sidoskydd när du utför kontroll eller underhåll.

OBSERVERA: Använd inte bensin, förtunningsmedel, alkohol eller liknande. Missfärgning, deformation eller sprickor kan uppstå.

För att upprätthålla produktens SÄKERHET och TILLFÖRLITLIGHET bör allt underhålls- och justeringsarbete utföras av ett auktoriserat Makita servicecenter och med reservdelar från Makita.

Underhåll

1. Ta bort säkerhetsnyckeln och batterikassetterna och stäng sedan batterikapen.
2. Lägg gräsklipparen på sidan. Rensa bort gräsklipp som samlats på undersidan av gräsdäcket.
3. Håll vatten mot botten av maskinen som kniven sitter fast på.

OBSERVERA: Tvätta inte av maskinen med högtrycksvattenstråle.

4. Kontrollera åtdragningen av alla muttrar, bultar, skruvar osv.
5. Kontrollera om klippdelar är skadade, trasiga eller utslitna. Skadade eller saknade delar bör repareras eller bytas ut.
6. Förvara gräsklipparen på en säker plats utom räckhåll för barn.

För DLM481/DLM539

OBSERVERA: Håll inte vatten på området som visas på bilden. Vatten i motorn kan orsaka funktionsfel på maskinen.

► Fig.38: 1. Område där vatten inte ska hällas

För DLM481/DLM539

OBSERVERA: Håll inte vatten på maskinen när maskinen står i upprätt läge enligt bilden. När maskinen står i upprätt läge kan vatten rinna ner i motorenheten och orsaka fel på maskinen.

► Fig.39

Bära gräsklipparen

⚠ FÖRSIKTIGT: Se till att batterikassetten och låsnnyckeln är borttagna innan du bär gräsklipparen.

När gräsklipparen ska bäras, ska två personer hjälpas åt genom att hålla det bakre greppet och det lägre handtaget på maskinens framsida enligt bilden.

► **Fig.40:** 1. Lägre handtaget 2. Bakre handtaget

Förvaring

⚠ FÖRSIKTIGT: Om gräsklipparen placeras i upprätt läge ska den placeras på en plan och stabil yta. Om maskinen placeras på en instabil yta kan den välta och orsaka personskador.

Förvara gräsklippare inomhus på en kall, torr och låst plats. Förvara inte gräsklipparen och laddaren på platser där temperaturen kan nå eller överstiga 40 °C.

1. Ta bort batterikassetten och säkerhetsnyckeln.
2. Vrid vredet 90° samtidigt som du drar det nedre handtagets vred så att låsstiftet frigörs. Utför samma förfarande på den andra sidan och fäll sedan ner handtaget.

► **Fig.41:** 1. Vred

OBS: Om du stöder handtaget är det lättare att frigöra låsstiftet när du drar i vredet.

3. Vrid vredet på bägge sidor 90°. Se till att vreden är ordentligt låsta.

För DLM481/DLM539

► **Fig.42:** 1. Vred

För DLM480/DLM538

► **Fig.43:** 1. Vred

OBSERVERA: Var försiktig när du fäller ner handtaget så att sladden inte kläms.

4. Lossa de lätttrade muttrarna på bägge sidor och fäll sedan ner det övre handtaget enligt bilden.

► **Fig.44:** 1. Lätttrad mutter 2. Övre handtaget

5. Placera maskinen i upprätt läge.

OBS: När du placerar gräsklipparen i upprätt läge ska du inte bara hålla i handtaget, utan hålla i både själva gräsklipparen och handtaget.

6. Förvara gräsupsamlaren enligt bilden.

► **Fig.45:** 1. Gräsupsamlare

► **Fig.46:** 1. Gräsupsamlare

Ta bort eller montera gräsklipparkniven

⚠ VARNING: Kniven snurrar i några sekunder efter att säkerhetsgreppet har släppts. Påbörja inget arbete med kniven förrän den har stannat helt.

⚠ VARNING: Ta alltid ut säkerhetsnyckeln och batterikassetten när du tar bort eller monterar kniven. Underlåtelse att ta ut säkerhetsnyckeln och batterikassetten kan leda till allvarlig skada.

⚠ VARNING: Bär alltid handskar när du hanterar kniven.

OBSERVERA: Använd den fasta nyckeln som ingår i maskinpaketet när du tar bort eller monterar gräsklipparkniven.

Ta bort gräsklipparkniven

1. Placera gräsklipparen på sidan så att justerings-spaken för klipphöjd hamnar på den låga sidan.
 2. För att låsa kniven, för in stiftet i hålet på gräsklipparstommen så långt det går.
 3. Vrid bulten moturs med fast nyckel 17.
- **Fig.47:** 1. Gräsklipparkniv 2. Stift 3. Fast nyckel
4. Ta bort bulten och sedan gräsklipparkniven.
- **Fig.48:** 1. Knivstöd 2. Gräsklipparkniv 3. Bult 4. Utsprång

OBSERVERA: När gräsklipparkniven installeras, se då till att utsprången på knivstödet passar in i hålen på gräsklipparkniven.

Installera gräsklipparkniven

⚠ VARNING: Montera gräsklipparkniven försiktigt. Den har en sida som ska vara uppåt och en som ska vara nedåt.

⚠ VARNING: Dra åt bulten medurs ordentligt för att fästa kniven.

⚠ VARNING: Se till att gräsklipparkniven och alla fixeringsdelarna monteras korrekt och dras åt ordentligt.

⚠ VARNING: När du byter ut knivarna ska du alltid följa anvisningarna i denna bruksanvisning.

OBSERVERA: Använd ett åtdragningsmoment på 19 – 29 N·m (värdena är endast för referens) när du drar åt bulten för att montera gräsklipparkniven.

OBSERVERA: Efter att gräsklipparknivarna installerats tar du bort stiftet från gräsklipparstommen.

Installera gräsklipparknivarna genom att utföra borttagningsproceduren i omvänd ordning.

FELSÖKNING

Innan du ber om reparation ska du först utföra en egen kontroll. Om du hittar ett problem som inte finns förklarat i bruksanvisningen ska du inte försöka att montera isär maskinen. Fråga istället ett auktoriserad servicecenter för Makita, och använd alltid reservdelar från Makita för reparationer.

Feltillstånd	Trolig orsak (felfunktion)	Atgärd
Gräsklipparen startar inte.	Två batterikassetter är inte insatta.	Sätt i de två laddade batterikassetterna.
	Batteriproblem (underspänning)	Ladda batterikassetten på nytt. Om laddning inte hjälper byter du ut batterikassetten.
	Säkerhetsnyckeln är inte i.	Sätt i säkerhetsnyckeln.
Motorn stannar efter en kort stunds användning.	Batterinivån är låg.	Ladda batterikassetten på nytt. Om laddning inte hjälper byter du ut batterikassetten.
	Klipphöjden är för låg.	Öka klipphöjden.
	Gräsklipp har fastnat i klipparen.	Ta bort gräset som fastnat.
Motorn når inte det maximala varvtalet.	Batterikassetten är felaktigt insatt.	Sätt i batterikassetten enligt anvisningarna i denna bruksanvisning.
	Batterinivån sjunker.	Ladda batterikassetten på nytt. Om laddning inte hjälper byter du ut batterikassetten.
	Drivsystemet fungerar inte som det ska.	Lämna in till ditt lokala auktoriserade servicecenter för reparation.
Gräsklipparkniven roterar inte: ⇒ stoppa gräsklipparen omedelbart!	Ett främmande föremål som t.ex. en gren har fastnat nära kniven.	Ta bort det främmande föremålet.
	Drivsystemet fungerar inte som det ska.	Lämna in till ditt lokala auktoriserade servicecenter för reparation.
Onormal vibration: ⇒ stoppa gräsklipparen omedelbart!	Kniven är obalanserad, överdrivet eller ojämnt utsliten.	Byt ut kniven.

VALFRIA TILLBEHÖR

⚠ FÖRSIKTIGT: Följande tillbehör eller tillsatser rekommenderas för användning med den Makita-maskin som denna bruksanvisning avser. Om andra tillbehör eller tillsatser används kan det uppstå risk för personskador. Använd endast tillbehören eller tillsatserna för de syften de är avsedda för.

Kontakta ditt lokala Makita servicecenter om du behöver ytterligare information om dessa tillbehör.

- Gräsklipparkniv
- Makitas originalbatteri och laddare

OBS: Några av tillbehören i listan kan vara inkluderade i produktpaketet som standardtillbehör. De kan variera mellan olika länder.

TEKNISKE DATA

Modell:		DLM480	DLM481	DLM538	DLM539
Kuttebredde (knivdiameter)		480 mm		534 mm	
Hastighet uten belastning		3 100 min ⁻¹		3 000 min ⁻¹	
Delenummer for reserve gressklipperkniv	Rett gressklipperkniv	191V97-3		191V96-5 / 191W87-2	
	Knivblad for bioklipping	191Y64-6		191Y65-4	
Mål (L x B x H)	ved bruk	L: 1 690 mm til 1 740 mm B: 530 mm H: 930 mm til 1 060 mm		L: 1 810 mm til 1 870 mm B: 580 mm H: 920 mm til 1 040 mm	
	ved lagring (uten gresskurven)	580 mm x 530 mm x 870 mm		610 mm x 580 mm x 925 mm	
Kjørehastighet		–	2,5 – 5,0 km/h	–	2,5 – 5,0 km/h
Merkespenning		DC 36 V			
Nettovekt		24,5 - 26,8 kg	27,0 - 29,3 kg	25,5 - 28,0 kg	27,9 – 30,4 kg
Beskyttelsesgrad		IPX4			

- På grunn av vårt kontinuerlige forsknings- og utviklingsprogram kan spesifikasjonene som oppgis i dette dokumentet endres uten varsel.
- Spesifikasjonene kan variere fra land til land.
- Vekten kan variere avhengig av tilbehøret/tilbehørene, inkludert batteriet. Den letteste og tyngste kombinasjonen, i henhold til EPTA-prosedyre 01/2014, vises i tabellen.

Passende batteri og lader

Batteriinnsett	BL1815N / BL1820B / BL1830B / BL1840B / BL1850B / BL1860B
Lader	DC18RC / DC18RD / DC18RE / DC18SD / DC18SE / DC18SF / DC18SH / DC18WC






- Noen av batteriene og laderne som er opplistet ovenfor er kanskje ikke tilgjengelige, avhengig av hvor du bor.

⚠ ADVARSEL: Bruk kun de batteriene og laderne som er opplistet ovenfor. Bruk av andre batterier og ladere kan føre til personskader og/eller brann.


⚠ ADVARSEL: Ikke bruk en kablet strømforsyning som batteriadapter eller bærbar lader med denne maskinen. Strømforsyningens kabel kan komme i veien under bruk og føre til personskade.


Symboler


Nedenfor ser du symbolene som kan brukes for dette utstyret. Forviss deg om at du forstår hva de betyr, før du begynner å bruke maskinen.

	Vær spesielt forsiktig og oppmerksom.
	Les bruksanvisningen.
	Vær oppmerksom på at objekter kan bli kastet ut.
	Avstanden mellom maskinen og andre personer enn operatøren må være minst 15 m.
	Plasser aldri hender og føtter nær gressklipperkniven under gressklipperen. Gressklipperknivene fortsetter å rotere etter at motoren er slått av.

 Fjern låsenøkkel før gressklipperen inspiseres, justeres, rengjøres, mottar service, forlages og oppbevares.

 Advarsel: Koble fra batteriet før vedlikehold.

 Elektrisk fare. Kontakt med vann kan føre til elektrisk støt.

 Ikke tøm på vann.



Kun for EU-land
På grunn av forekomst av farlige komponenter i utstyret, kan avfall fra elektrisk og elektronisk utstyr, akkumulatører og batterier ha en negativ innvirkning på miljøet og menneskers helse.
Ikke kast elektriske og elektroniske apparater eller batterier sammen med husholdningsavfall!
I samsvar med det europeiske direktivet om avfall fra elektrisk og elektronisk utstyr og om akkumulatører og batterier samt akkumulatører og batterier som skal kastes, samt deres tilpasning til nasjonal lovgivning, skal brukt elektrisk utstyr samt brukte batterier og akkumulatører samles inn separat og leveres til et eget innsamlingssted for kommunalt avfall, som driver virksomhet i samsvar med miljøvernforordningene.
Dette er angitt av symbolet med den overkryssede avfallsbeholderen som er plassert på utstyret.



Garantert lydeffektivitet i henhold til EU-direktivet om støy fra utstyr til utendørs bruk.



Lydeffektivitet i henhold til Australia NSW støykontrollforskrift

Riktig bruk

Denne maskinen er kun laget for gressklipping.

Støy

Typisk A-vektet lydtrykknivå er bestemt i henhold til EN IEC 62841-4-3:

Modell	Målt lydeffektivitet (L_{WA}) : (dB(A))	Garantert lydeffektivitet (L_{WA}) : (dB(A))
DLM480	92	95
DLM481	92	95
DLM538	95	98
DLM539	95	98

Modell	Lydtrykknivå (L_{pA}) : (dB(A))	Usikkerhet for lydtrykknivå (K) : (dB(A))
DLM480	84	3
DLM481	84	3
DLM538	85	3
DLM539	85	3

MERK: Den/de oppgitte verdien(e) for genererte vibrasjoner har blitt målt i henhold til standard testmetoder, og kan bli brukt til å sammenligne ett verktøy med et annet.

MERK: Den/de angitte verdien(e) for de genererte vibrasjonene kan også brukes til en foreløpig vurdering av eksponeringen.

⚠ADVARSEL: Bruk hørselsvern.

⚠ADVARSEL: De genererte vibrasjonene ved faktisk bruk av elektroverktøyet kan avvike fra den/de angitte vibrasjonsverdien(e), avhengig av hvordan verktøyet brukes.

⚠ADVARSEL: Sørg for å identifisere vernetiltak for å beskytte operatøren, som er basert på et estimat av eksponeringen under de faktiske bruksforholdene (idet det tas hensyn til alle deler av driftssyklusen, dvs. hvor lenge verktøyet er slått av, hvor lenge det går på tomgang og hvor lenge startbryteren faktisk holdes trykket).

Vibrasjoner

Den totale vibrasjonsverdien (triaksial vektorsum) bestemt i henhold EN IEC 62841-4-3:

Modell DLM480

Genererte vibrasjoner (a_n) : 2,5 m/s² eller mindre
Usikkerhet (K): 1,5 m/s²

Modell DLM481

Genererte vibrasjoner (a_n) : 2,5 m/s² eller mindre
Usikkerhet (K): 1,5 m/s²

Modell DLM538

Genererte vibrasjoner (a_n) : 2,5 m/s² eller mindre
Usikkerhet (K): 1,5 m/s²

Modell DLM539

Genererte vibrasjoner (a_n) : 2,5 m/s² eller mindre
Usikkerhet (K): 1,5 m/s²

MERK: Den/de oppgitte verdien(e) for totalt genererte vibrasjoner har blitt målt i henhold til standard testmetoder, og kan bli brukt til å sammenligne ett verktøy med et annet.

MERK: Den/de angitte verdien(e) for totalt genererte vibrasjoner kan også brukes til en foreløpig vurdering av eksponeringen.

⚠ADVARSEL: De genererte vibrasjonene ved faktisk bruk av elektroverktøyet kan avvike fra den/de angitte vibrasjonsverdien(e), avhengig av hvordan verktøyet brukes og spesielt i forhold til arbeidsstykket som blir behandlet.

⚠ADVARSEL: Sørg for å identifisere vernetiltak for å beskytte operatøren, som er basert på et estimat av eksponeringen under de faktiske bruksforholdene (idet det tas hensyn til alle deler av driftssyklusen, dvs. hvor lenge verktøyet er slått av, hvor lenge det går på tomgang og hvor lenge startbryteren faktisk holdes trykket).

Samsvarserklæringer

Gjelder kun for land i Europa

Samsvarserklæringerne er lagt til som vedlegg A i denne bruksanvisningen.

SIKKERHETSADVARSEL

Generelle advarsler angående sikkerhet for elektroverktøy

⚠ ADVARSEL Les alle sikkerhetsadvarsler, instruksjoner, illustrasjoner og spesifikasjoner som følger med dette elektroverktøyet. Hvis ikke alle instruksjonene nedenfor følges, kan det føre til elektrisk støt, brann og/eller alvorlig personskade.

Oppbevar alle advarsler og instruksjoner for senere bruk.

Uttrykket «elektrisk verktøy» i advarslene refererer både til elektriske verktøy (med ledning) tilkoblet strømmettet, og batteridrevne verktøy (uten ledning).

Sikkerhetsadvarsler for batteridrevet gressklipper

1. **Ikke bruk gressklipperen under dårlige værforhold, spesielt hvis det er fare for lyn.** Dette reduserer faren for å bli truffet av lyn.
2. **Undersøk området der du skal bruke gressklipperen grundig med tanke på dyreliv.** Dyr kan bli skadet av gressklipperen under bruk.
3. **Undersøk området der du skal bruke gressklipperen grundig, og fjern alle steiner, kvister, ståltråder, bein og andre fremmedlegemer.** Gjenstander som folk har kastet fra seg kan forårsake personskader.
4. **Før du bruker gressklipperen må du alltid undersøke visuelt at bladet og bladenheten ikke er slitt eller skadet.** Slitte eller skadde deler øker faren for personskader.
5. **Kontroller gressfangeren ofte for slitasje eller skader.** En slitt eller skadet gressfanger øker faren for personskader.
6. **Sørg for at vernene er på plass. Vernene må være i fungerende stand og montert på riktig måte.** Hvis et vern er løst, skadet eller ikke fungerer som det skal, kan det forårsake personskader.
7. **Hold alle kjøleluftinntak frie for smuss.** Blokkerte luftinntak og rusk kan føre til overoppheting eller fare for brann.
8. **Bruk alltid sklisikkert vernefottøy når du bruker gressklipperen. Ikke bruk gressklipperen barbeint eller med åpne sandaler.** Dette reduserer faren for skade på føttene som følge av kontakt med bladet i bevegelse.
9. **Ha alltid på deg langebukser når du bruker gressklipperen.** Bar hud øker sannsynligheten for skade som følge av flygende gjenstander.
10. **Ikke bruk gressklipperen i vått gress. Gå, løp aldri.** Da reduserer du faren for å skli og falle, noe som kan føre til personskader.
11. **Ikke bruk gressklipperen i svært bratte bakker.** Da reduserer du faren for å miste kontrollen, skli eller falle, noe som kan føre til personskader.
12. **Når du jobber i bakker, må du alltid ha godt fotfeste, alltid jobbe på tvers av bakken, aldri opp eller ned og utvise ekstrem forsiktig når du endrer retning.** Da reduserer du faren for å miste kontrollen, skli eller falle, noe som kan føre til personskader.

13. **Vær svært forsiktig når du rygger eller trekker gressklipperen mot deg. Vær alltid oppmerksom på omgivelsene.** Dette reduserer faren for å snuble under bruk.
14. **Ikke ta på blader og andre farlige bevegelige deler mens de fremdeles er i bevegelse.** Dette reduserer faren for personskader som følge av bevegelige deler.
15. **Når du skal fjerne materiale som sitter fast eller rengjøre gressklipperen, må du kontrollere at alle strømbrytere er slått av og at batteriet er frakoblet.** Hvis gressklipperen plutselig beveger seg, kan det føre til alvorlige personskader.

Ytterligere sikkerhetsadvarsler

Opplæring

1. **Les nøye gjennom bruksanvisningen. Gjør deg kjent med kontrollene, og sett deg inn i hvordan gressklipperen fungerer.**
2. **La aldri barn eller personer som ikke er kjent med denne bruksanvisningen bruke gressklipperen. Lokale bestemmelser kan omfatte aldersgrenser for bruk av utstyret.**
3. **Aldri bruk gressklipperen mens uvedkommende (særlig barn og kjæledyr) er tilstede.**
4. **Vær oppmerksom på at operatøren eller brukeren er ansvarlig for ulykker eller skader som berører andre personer eller deres eiendom.**

Klargjøring

1. **Sørg for at ingen andre personer befinner seg på området før du begynner å klippe.** Stans gressklipperen hvis noen kommer inn på området.
2. **Ikke sett låsenøkkelen i gressklipperen før den er klar til bruk.**
3. **Se opp for hull, furer, dumper, steiner eller andre skjulte gjenstander.** Ujevnt terreng kan forårsake en skli- og fallulykke. Høyt gress kan skjule gjenstander.
4. **Ikke sett inn eller ta ut låsenøkkelen når det regner.**

Bruk

1. **Stopp gressklipperen og ta ut låsenøkkelen, og kontroller at alle bevegelige deler har stoppet helt opp**
 - alltid når du forlater gressklipperen,
 - før du fjerner ting som har satt seg fast eller renser utkastet,
 - før kontroll, rengjøring eller arbeid på gressklipperen.
2. **Hvis gressklipperen slår mot et fremmedlegeme, følger du disse trinnene:**
 - Stans gressklipperen, slipp startbryteren og vent til knivene stanser helt.
 - Ta ut låsenøkkelen og batteriet.
 - Undersøk gressklipperen nøye for skader.
 - Erstatt kniven om den på noen måte skulle være skadd. Reparer eventuelle skader før ny oppstart og fortsatt bruk av gressklipperen.

3. Hvis gressklipperen avgir unormale vibrasjoner eller du legger merke til noe annet uvanlig, skal du følge disse trinnene umiddelbart:
 - Stans gressklipperen, slipp startbryteren og vent til knivene stanser helt.
 - Ta ut låsenøkkelen og batteriet.
 - Se etter skader, og skift ut eller reparer eventuelle skadede deler.
 - Kontroller og stram alle løs deler.
4. Aldri bruk en gressklipper som har defekte vern eller beskyttelse, eller som ikke har sikkerhetsutstyr som for eksempel deflektorer og/eller gresskurv på plass.
5. Gressklipperen skal kun brukes i dagslys eller ved god kunstig belysning.
6. Start gressklipperen forsiktig i henhold til instruksjonene og hold føttene på god avstand fra bladene.
7. Ta nødvendige forholdsregler for å unngå at gressklipperknivene skader føtter eller hender.
8. Stans bladene hvis gressklipperen må skråstilles for transportering, ved kryssing av overflater som ikke er gress og under transportering av gressklipperen til og fra området der den skal brukes.
9. Ikke skråstill gressklipperen når motoren slås på, unntatt når gressklipperen må skråstilles for oppstart. I så fall må den ikke skråstilles mer enn absolutt nødvendig, og det er bare delen som er vendt bort fra brukeren som skal løftes. Forsikre deg alltid om at begge hendene er i arbeidsstilling før du setter gressklipperen tilbake på bakken.
10. Ikke plasser hender og føtter nær eller under roterende deler. Hold avstand fra avløpsåpningen til enhver tid.
11. Hold alltid godt fast i håndtaket.
12. Ikke grip tak i skjæreblader eller skjærekanter når du plukker opp eller holder i gressklipperen.
13. Hold hender og føtter i god avstand fra de roterende bladene. Forsiktig - knivene fortsetter å rotere etter at gressklipperen er slått av.
14. Du må aldri justere kuttehøyden mens gressklipperen svinger hvis gressklipperen er utstyrt med funksjonen for justering av kuttehøyde.
15. Slipp startbryteren og vent til knivene slutter å rotere før du krysser oppkjørsler, stier, veier og alle grusbelagte områder. I tillegg må du ta ut låsenøkkelen hvis du forlater gressklipperen, skal plukke opp noe eller fjerne noe som ligger i veien, eller hvis noe av en eller annen grunn avleder deg fra det du holder på med.
16. Ikke start gressklipperen mens du står foran avløpsåpningen.
17. Du må aldri rette materiale som kommer ut mot andre personer. Unngå å rette materiale som kommer ut mot en vegg eller hindring. Materiale kan bli slynget tilbake mot operatøren. Stopp kniven når du krysser grusunderlag.
18. Ikke dra gressklipperen bakover med mindre det er helt nødvendig. Når du er nødt til å rygge gressklipperen bort fra et gjerde eller lignende, ser du ned og bak deg før og mens du beveger deg bakover.
19. Slå av motoren, og vent til kniven stopper helt opp før du tar av gressfangeren. Vær oppmerksom på at knivene beveger seg selv om gressklipperen er slått av.
20. Når du bruker maskinen på gjørmete underlag, i våte bakker eller på glatte steder, må du passe på at du ikke mister fotfestet.
21. Unngå å arbeide under dårlige forhold som kan føre til utslitthet.
22. Ikke bruk maskinen i dårlig vær med begrenset sikt. Det kan føre til feil bruk eller at du faller på grunn av dårlig sikt.
23. Ikke senk maskinen ned i en vannpytt.
24. Når vått løv eller jord kleber seg til sugeåpningen (ventilasjonsvinduet) på grunn av regn, må det fjernes.
25. Ikke bruk maskinen i snøen.
26. Hvis det klippede gresset er vått, vil det sannsynligvis sette seg fast inni maskinen. Kontroller maskinens tilstand regelmessig, og fjern gresset som har klebet seg fast ved behov.
27. Når du bruker maskinen, må du være oppmerksom på rør og ledninger.

Vedlikehold og oppbevaring

1. Kontroller og vedlikehold gressklipperen regelmessig.
2. Pass på at alle muttere, bolter og skruer sitter fast for å sikre at utstyret er i god stand.
3. Sjekk gresskurven ofte for slitasje eller skader. For oppbevaring må du alltid sørge for at gresskurven er tom. Av hensyn til sikkerhet må en slitt gresskurv alltid skiftes ut med en ny fabrikkprodusert gresskurv.
4. Bruk kun produsentens originale blader som spesifisert i denne bruksanvisningen.
5. Vær forsiktig under justering av gressklipperen slik at fingrene ikke befinner seg mellom roterende blader og gressklipperens faste deler.
6. Kontroller hyppig at bladets festebolt sitter ordentlig fast.
7. La alltid gressklipperen avkjøles før den settes til oppbevaring.
8. Under service på bladene, vær oppmerksom på at selv om strømkilden er avslått, kan bladene fremdeles bevege seg.
9. Du må aldri fjerne eller klusse med sikkerhetsutstyr. Kontroller regelmessig at det fungerer som det skal. Du må aldri gjøre noe for å hindre den tiltenkte funksjonen til sikkerhetsutstyr eller for å redusere beskyttelsen som sikkerhetsutstyr gir.
10. Ikke etterlat maskinen uten tilsyn utendørs når det regner.
11. Ikke vask maskinen med høytrykksvann.
12. Når du skal vaske maskinen, må du ta ut batteriet og låsenøkkelen, og lukke batteridekselet. Tøm vann mot bunnen av maskinen der kniven er festet.
13. Ved oppbevaring av maskinen skal du unngå direkte sollys og regn, og den skal oppbevares på et sted som ikke blir varmt eller fuktig.
14. Inspeksjon og vedlikehold skal unngås på et sted som er beskyttet mot regn.

15. Før du setter bort maskinen etter bruk må du fjerne all skitt som har satt seg fast og tørke maskinen godt. Avhengig av sesong eller område er det fare for funksjonssvikt på grunn av frost.

Elektrisk sikkerhet og batterisikkerhet

1. Ikke åpne eller ødelegg batteriet (batteriene). Elektrolytt som lekker ut er korroderende, og kan forårsake skader på øyne og hud. Den kan være giftig hvis den svelges.
2. Ikke skift batteri når det regner, eller i fuktige omgivelser.
3. Ikke lad batteriet utendørs.
4. Ikke håndter laderen, inkludert laderstøpselet og laderterminalene, med våte hender.
5. Ikke skift ut batteriet når det regner.
6. Ikke la batteriklemmen komme i kontakt med væske som f.eks. vann, og batteriet må heller ikke senkes ned i vann. Ikke la batteriet stå ute i regnet, og du må heller ikke lade, bruke eller oppbevare batteriet på et fuktig eller vått sted. Hvis klemmen blir våt, eller hvis væske trenger inn i batteriet, kan batteriet kortslutte, og det er fare for overoppheting, brann eller eksplosjon.
7. Når du har tatt batteriet ut av maskinen eller laderen, må du feste batteridekselet på batteriet og oppbevare det på et tørt sted.
8. Ikke skift ut batteriet med våte hender.
9. Unngå farlige miljøer. Ikke bruk maskinen i fuktige eller våte omgivelser, og ikke utsett den for regn. Hvis det kommer vann inn i maskinen, vil risikoen for elektriske støt øke.
10. Hvis batteriinnsetsen blir våt, tøm ut vannet på innsiden og tørk av med en tørr klut. Tørk batteriinnsetsen helt på et tørt sted før bruk.

TA VARE PÅ DISSE INSTRUKSENE.

⚠ ADVARSEL: IKKE LA hensynet til hva som er "behagelig" eller det faktum at du kjenner produktet godt (etter mange gangers bruk) gjøre deg mindre oppmerksom på sikkerhetsreglene for bruken av det aktuelle produktet. Ved MISBRUK eller hvis ikke sikkerhetsreglene i denne bruksanvisningen følges, kan det oppstå alvorlig personskade.

Viktige sikkerhetsanvisninger for batteriinnsets

1. Før du begynner å bruke batteriet, må du lese alle anvisninger og forsiktighetsregler på (1) batteriladeren, (2) batteriet og (3) det produktet batteriet skal brukes i.
2. Ikke demonter eller tukle batteriet. Det kan føre til brann, overoppheting eller eksplosjon.
3. Hvis driftstiden er blitt vesentlig kortere, må du omgående slutte å bruke maskinen. Hvis ikke kan resultatet bli overoppheting, mulige forbrenninger eller til og med en eksplosjon.
4. Hvis du får elektrolytt i øynene, må du skylle dem med store mengder rennende vann og oppsøke lege med én gang. Denne typen uhell kan føre til varig blindhet.

5. Ikke kortslett batteriet:
 - (1) De kan være ekstremt varme og du kan brenne deg.
 - (2) Ikke lagre batteriet i samme beholder som andre metallgjenstander, som for eksempel spiker, mynter osv.
 - (3) Ikke la batteriet komme i kontakt med vann eller regn.En kortslutning av batteriet kan føre til et kraftig strømstøt, overoppheting, mulige forbrenninger og til og med til at batteriet går i stykker.
6. Ikke oppbevar og bruk verktøyet og batteriet på steder hvor temperaturen kan komme opp i eller overskride 50 °C.
7. Ikke sett fyr på batteriet, ikke engang om det er sterkt skadet eller helt utslitt. Batteriet kan eksplodere hvis det begynner å brenne.
8. Du må ikke spikre, skjære, klemme, kaste eller miste batteriet, og heller ikke slå en hard gjenstand mot batteriet. En slik oppførsel kan føre til brann, overoppheting eller eksplosjon.
9. Ikke bruk batterier som er skadet.
10. Lithium-ion-batteriene som medfølger er gjenstand for krav om spesialavfall. For kommersiell transport, f.eks av tredjeparter eller speditorer, må spesielle krav om pakking og merking følges. Før varen blir sendt, må du forhøre deg med en ekspert på farlig materiale. Ta også hensyn til muligheten for mer detaljerte nasjonale bestemmelser. Bruk teip eller maskeringsteip for å skjule åpne kontakter og pakk inn batteriet på en slik måte at den ikke kan bevege seg rundt i emballasjen.
11. Når du kasserer batteriinnsetsen, må du ta den ut av verktøyet og avhende den på et sikkert sted. Følg lokale bestemmelser for avhending av batterier.
12. Bruk batteriene kun med produkter spesifisert av Makita. Montere batteriene i produkter som ikke er konforme kan føre til brann, overheting eller elektrolyttlekkasje.
13. Hvis verktøyet ikke skal brukes over en lengre periode, må batteriet tas ut av verktøyet.
14. Under og etter bruk kan batteriet bli varmt og før til brannskader. Vær forsiktig med håndteringen av varme batterier.
15. Ikke berører terminalen på verktøyet rett etter bruk, da den kan bli varm og forårsake brannskader.
16. Ikke la spon, støv eller jord sette seg fast i terminalene, hullene og sporene i batteriet. Det kan føre til at batteriet eller verktøyet blir overopphetet, begynner å brenne, sprekker eller ikke fungerer som det skal, og forårsake brannskader eller personskade.
17. Med mindre verktøyet støtter bruk nær en høyspent strømlinje, skal ikke batteriet brukes nær en høyspent strømlinje. Det kan føre til en funksjonsfeil eller at verktøyet eller batteriet slutter å fungere.
18. Oppbevar batteriet utilgjengelig for barn.

TA VARE PÅ DISSE INSTRUKSENE.

⚠FORSIKTIG: Bruk kun originale Makita-batterier. Bruk av batterier som har endret seg, eller som ikke er originale Makita-batterier, kan føre til at batteriet sprekker og forårsaker brann, personskader og andre skader. Det vil også ugyldiggjøre garantien for Makita-verktøyet og -laderen.

Tips for å opprettholde maksimal batterilevetid

1. **Lad batteriinnsetningen før den er helt utladet. Stopp alltid driften av verktøyet og lad batteriinnsetningen når du merker at effekten reduseres.**
2. **Lad aldri en batteriinnsetning som er fulladet. Overopplading forkorter batteriets levetid.**
3. **Lad batteriet i romtemperatur ved 10 °C - 40 °C. Et varmt batteri må kjøles ned før lading.**
4. **Når batteriet ikke er bruk, skal det tas ut av verktøyet eller laderen.**
5. **Lad batteriet hvis det ikke har vært brukt på en lang stund (over seks måneder).**

MONTERING

⚠ADVARSEL: Sørg alltid for at låsenøkkelen og batteriet er fjernet før det utføres noe arbeid på gressklipperen. Hvis ikke låsenøkkelen og batteriet fjernes, kan dette forårsake alvorlig personskade ved tilfeldig oppstartning.

⚠ADVARSEL: Start aldri opp gressklipperen før det er fullstendig montert. Bruk av maskinen i en delvis montert tilstand, kan føre til alvorlig personskade som følge av utilsikket oppstart.

Montering av håndtaket

OBS: Når du monterer håndtakene, må du være forsiktig slik at du ikke klemmer ledningen mellom håndtakene. Hvis ledningen blir eller er skadet, kan det hende at gressklipperbryteren ikke fungerer som den skal.

1. Innrett hullet i det nedre håndtaket etter hullet i det øvre håndtaket, sett i bolten fra utsiden, og stram deretter til fingermutteren fra innsiden. Utfør samme prosedyre på den andre siden.

For DLM481/DLM539

- **Fig.1:** 1. Bolt 2. Fingermutter 3. Nedre håndtak
4. Øvre håndtak

For DLM480/DLM538

- **Fig.2:** 1. Bolt 2. Fingermutter 3. Nedre håndtak
4. Øvre håndtak

2. Drei knotten 90° mens du trekker i knotten på det nedre håndtaket for å løsne låsepinnen. Utfør samme prosedyre på den andre siden. Juster håndtakshøyden opp, og drei deretter knotten på begge sider 90°. Sørg for at knottene er ordentlig festet.

► **Fig.3:** 1. Knott

MERK: Hvis du holder i håndtaket, blir det enklere å løsne låsestiften mens du drar i knotten.

Ta av utstyret for bioklipping

1. Åpne bakdekselet.
► **Fig.4:** 1. Bakdeksel
2. Løft utstyret for bioklipping litt opp, og så fjerner du det.
► **Fig.5:** 1. Utstyr for bioklipping

Sette sammen gresskurven

1. Ta opp den øvre klemmen på gresskurven.
► **Fig.6:** 1. Øvre klemme
2. Sett rammen så langt inn i gresskurven som den går samtidig som du holder rammens håndtak.
► **Fig.7:** 1. Håndtak

OBS: Ikke sett håndtaket inn i gresskurven. Sørg for å sette inn rammens langs gresskurvens søm.

3. Kontroller at gresskurven ikke henger ned i hjørnene.
► **Fig.8**
4. Åpne den øvre klemmen, og fest den til rammen.
► **Fig.9**
5. Fest alle de andre klemmene som vist i figuren. Sørg for at alle klemmene festes godt til rammen.
► **Fig.10:** 1. Klemme

Montere eller ta av gresskurven

Følg trinnene nedenfor for å montere gresskurven.

1. Åpne bakdekselet.
► **Fig.11:** 1. Bakdeksel
2. Hold i håndtaket på gresskurven, og heft deretter gresskurven på stangen på gressklipperen som vist i figuren.
► **Fig.12:** 1. Gresskurv 2. Håndtak 3. Stang

Når du skal ta av gresskurven, åpner du bakdekselet, og deretter tar du av gresskurven ved å holde i håndtaket.

Feste utstyret for bioklipping

1. Åpne bakdekselet og fjern gresskurven.
► **Fig.13:** 1. Bakdeksel 2. Gresskurv
2. Fest utstyret for bioklipping ved å skyve det så langt det går slik at fremspringene på utstyret for bioklipping passer i hullene på maskinen.
► **Fig.14:** 1. Utstyr for bioklipping 2. Fremspring

FUNKSJONSBE- SKRIVELSE

Sette inn eller ta ut batteri

⚠FORSIKTIG: Slå alltid av maskinen før du setter inn eller fjerner batteriet.

⚠FORSIKTIG: Hold maskinen og batteriet i et fast grep når du monterer eller fjerner batteriet. Hvis du ikke maskinen verktøyet og batteriet godt fast, kan du miste grepet, og dette kan føre til skader på maskinen og batteriet samt personskade.

⚠FORSIKTIG: Sørg for at du lukker batterilokket før bruk. Ellers kan søle, skitt eller vann påføre skader på produktet eller batteripatronen.

⚠FORSIKTIG: Batteriet må alltid settes helt inn, så langt at den røde indikatoren ikke lenger er synlig. Hvis dette ikke gjøres, kan batteriet falle ut av maskinen og skade deg eller andre som oppholder seg i nærheten.

⚠FORSIKTIG: Ikke bruk makt når du setter i batteriet. Hvis batteriet ikke glir lett inn, er det fordi det ikke settes inn på riktig måte.

⚠FORSIKTIG: Hold batteridekselet i et fast grep når du setter i eller tar ut batteriet.

MERK: Maskinen fungerer ikke med kun ett batteri.

Installering av batteriet;

1. Dra opp låsehendelen, og åpne batteridekselet.
► **Fig.15:** 1. Batterideksel 2. Låsehendel
2. Rett inn batterituppen med sporet på maskinen, og skyv inn batteriet til det låses på plass med et lite klikk.
► **Fig.16:** 1. Batteriinnsett
3. Sett inn låsenøkkel på stedet vist på figuren, så langt den vil gå.
► **Fig.17:** 1. Låsenøkkel
4. Lukk batteridekselet og trykk på det inntil det låses sammen med låsespaken.

Ta ut batteriet;

1. Dra opp låsehendelen, og åpne batteridekselet.
2. Trekk batteriet ut av maskinen mens du skyver på knappen foran på batteriet og trekker det ut.
3. Trekk ut låsenøkkel.
4. Lukk batteridekselet.

Vernesystem for maskin/batteri

Maskinen er utstyrt med et vernesystem for maskin/ batteri. Dette systemet slår automatisk av strømmen til motoren for å forlenge maskinens og batteriets levetid. Maskinen stopper automatisk under drift hvis maskinen eller batteriet utsettes for en av følgende tilstander:

Overlastsikring

Når batteriet brukes på en måte som gjør at det bruker unormalt mye strøm, vil maskinen stanse automatisk, og strømlampen blinker grønt. I denne situasjonen må du skru av maskinen og stanse bruken som forårsaket at maskinen ble overopphetet. Slå deretter maskinen på for å starte den igjen.

Overopphetingsvern

Når maskinen eller batteriet er overopphetet, stanser maskinen automatisk, og strømlampen lyser rødt. I dette tilfellet lar du maskinen og batteriet avkjøles før du starter maskinen på nytt.

Overutladningsvern

Når batterikapasiteten blir utilstrekkelig, stopper maskinen automatisk, og strømlampen blinker rødt. I dette tilfellet tar du batteriet ut av maskinen og lader batteriene, eller erstatt batteriene med fulladede batterier.

Vern mot andre årsaker

Vernesystemet er også laget for beskyttelse mot andre ting som kan skade maskinen, og gjør at den stanser automatisk. Gå gjennom alle de følgende trinnene for å feilsøke og fjerne årsakene etter at verktøyet har stanset midlertidig eller helt.

1. Slå av maskinen, og slå den deretter på igjen for å starte på nytt.
2. Lad opp batteriene eller skift dem ut med oppladede batterier.
3. La maskinen og batteriene avkjøles.

Hvis det ikke blir noen forbedring ved at vernesystemet gjenopprettes, tar du kontakt med det lokale Makita-servicesenteret.

OBS: Hvis verktøyet stopper av en årsak som ikke er beskrevet ovenfor, kan du se under avsnittet for feilsøking.

Indikere gjenværende batterikapasitet

► **Fig.18:** 1. Batterianviser

Når den gjenværende batterikapasiteten blir lav, blinker batteriindikatoren på den aktuelle siden for batteriet. Ved fortsatt bruk stopper maskinen, og batteriindikatoren tennes. I dette tilfellet lader du batteriet.

Indikere gjenværende batterikapasitet

Kun for batterier med indikatoren

Trykk på sjekk-knappen på batteriet for vise gjenværende batterikapasitet. Indikatorlampene lyser i et par sekunder.

► **Fig.19:** 1. Indikatorlamper 2. Kontrollknapp

Indikatorlamper			Gjenværende batterinivå
Tett	Av	Blinker	
			75 % til 100 %
			50 % til 75 %
			25 % til 50 %
			0 % til 25 %
			Lad batteriet.
			Batteriet kan ha en feil.

MERK: Det angitte nivået kan avvike noe fra den faktiske kapasiteten alt etter bruksforholdene og den omgivende temperaturen.

MERK: Den første (helt til venstre) indikatorlampen vil blinke når batterivernsystemet fungerer.

Strømbryter

ADVARSEL: Pass på å slå av strømbryteren når den ikke er i bruk.

► **Fig.20:** 1. Strømlampe 2. Strømbryter

Slå på maskinen ved å trykke på strømbryteren. Strømlampen lyser grønt. Slå av maskinen ved å trykke på strømbryteren på nytt.

MERK: Hvis strømlampen lyser rødt eller blinker grønt, se i instruksjonene for beskyttelsessystemet for maskin/batteri.

MERK: Denne maskinen bruker automatisk utkobling. For å unngå utilsiktet oppstart, vil strømbryteren slås av automatisk når du ikke drar i startbryteren og kjørespaken (hvis dette finnes) i løpet av en viss tidsperiode etter at strømbryteren er slått på.

Bryterfunksjon

ADVARSEL: Før du setter batteriet inn, må du alltid kontrollere at bryterspaken fungerer som den skal, og at den går tilbake til sin opprinnelige posisjon når du slipper den. Hvis du bruker maskinen med en bryter som ikke fungerer som den skal, kan du komme til å miste kontrollen, og det kan føre til alvorlig personskade.

MERK: Gressklipperen starter ikke uten at bryterknappen trykkes på, selv hvis du trekker i bryterspaken.

MERK: Gressklipperen starter kanskje ikke på grunn av overlasten når du prøver å klippe langt eller tett gress i én økt. I slike tilfeller må du øke klippehøyden.

Denne gressklipperen er utstyrt med låsenøkkel og håndtaksbryter. Hvis du merker noe uvanlig med låsenøkkelen eller bryteren, stanser du bruken umiddelbart og får dem kontrollert hos nærmeste autoriserte Makita-servicesenter.

For DLM481/DLM539

1. Sett inn batteriene. Sett i låsenøkkelen, og lukk deretter batteridekselet.
2. Trykk på strømknappen.
3. Trekk bryterspaken mot deg mens du holder bryterknappen nede. Slipp bryterknappen så snart motoren begynner å kjøre.

► **Fig.21:** 1. Startknapp 2. Startspak

4. Mens du holder bryterknappen, skyver du kjørespaken forover og holder den for å drive bakhjulene.

► **Fig.22:** 1. Kjørespak

MERK: Du kan drive bakhjulene ved å skyve kjørespaken forover og holde den uten å trekke i bryterspaken.

5. Slipp kjørespaken og bryterspaken for å stanse maskinen.

For DLM480/DLM538

1. Sett inn batteriene. Sett i låsenøkkelen, og lukk deretter batteridekselet.
2. Trykk på strømknappen.
3. Trekk bryterspaken mot deg mens du holder bryterknappen nede. Slipp bryterknappen så snart motoren begynner å kjøre.

► **Fig.23:** 1. Startknapp 2. Startspak

4. Slipp bryterspaken for å stanse motoren.

Tilpasse klippehøyden

ADVARSEL: Plasser aldri hånd eller ben under gressklipperens hoveddel når du justerer klippehøyden.

ADVARSEL: Sørg alltid for at spaken passer ordentlig inn i fordypningen før bruk.

Klippehøyden kan justeres i området mellom 20 mm og 100 mm.

Ta ut låsenøkkelen, dra justeringshendelen for klippehøyde utover fra gressklipperen, og beveg den til ønsket klippehøyde.

► **Fig.24:** 1. Justeringshendel for klippehøyde

Tabellen nedenfor viser forholdet mellom tallet på gressklipperen og den omtrentlige klippehøyden.

Tall	Klippehøyde
1	20 mm
2	26 mm
3	32 mm
4	40 mm
5	49 mm
6	59 mm
7	70 mm
8	81 mm
9	92 mm
10	100 mm

Hold det nedre håndtaket med én hånd, og beveg deretter justeringshendelen for klippehøyde med den andre hånden.

► **Fig.25:** 1. Justeringshendel for klippehøyde
2. Nedre håndtak

MERK: Tallene for klippehøyde er kun ment å være veiledende. Avhengig av plenen eller bakken kan faktisk plen høyde varierer litt fra den angitte høyden.

MERK: Gjør en prøveklipping på et mindre iøynefallende sted for å oppnå den høyden du ønsker.

Indikator for gressnivå

Indikatoren for gressnivå viser hvor mye gress som er klippet. Så lenge gresskurven ikke er full, flyter indikatoren når knivene sviver.

► **Fig.26:** 1. Indikator for gressnivå

Når gresskurven er nesten full, flyter ikke indikatoren når knivene sviver. Når dette skjer, må du umiddelbart stanse og tømme kurven.

► **Fig.27:** 1. Indikator for gressnivå

MERK: Denne indikatoren er kun en veiledning. Avhengig av tilstanden inne i kurven, kan det hende at indikatoren ikke fungerer som den skal.

Justere håndtakhøyden

Håndtakhøyden kan justeres i to nivåer.

1. Hold det nedre håndtaket og drei knotten 90° mens du trekker i knotten på det nedre håndtaket for å løse låsepinnen. Utfør samme prosedyre på den andre siden.

► **Fig.28:** 1. Nedre håndtak 2. Knott

MERK: Hvis du holder i håndtaket, blir det enklere å løse låsestiften mens du drar i knotten.

2. Juster håndtakhøyden og drei deretter knotten på begge sider 90°. Sørg for at knottene er ordentlig festet.

► **Fig.29:** 1. Knott

Justere kjørehastigheten

For DLM481/DLM539

► **Fig.30:** 1. Gasshåndtak

Kjørehastigheten kan justeres ved å dreie på gasshåndtaket. Vil du senke hastigheten, drar du håndtaket mot deg, og vil du øke hastigheten, dreier du håndtaket forover.

Bruke utstyret for bioklipping

Utstyret for bioklipping lar deg sende det klippede gresset til bakken uten å samle opp det klippede gresset i gresskurven. Når du bruker maskinen med utstyret for bioklipping, må du passe på å fjerne gresskurven.

OBS: Når du bruker maskinen med pluggen for bioklipping, må du kontrollere at gressets totale lengde etter klipping er 30 mm eller mer, og at skjærelengden er 15 mm eller mindre.

► **Fig.31:** (1) 30 mm eller mer (2) 15 mm eller mindre

Bruk av den utkasteren bak

Det bakre utkastertilbehøret lar deg sende det klippede gresset på bakken fra baksiden på maskinen, uten å samle opp det klippede gresset i gresskurven.

Når du bruker maskinen med utstyret for utkasting bak, må du ta av gresskurven og utstyret for bioklipping og lukke bakdekselet.

Elektronisk funksjon

Maskinen er utstyrt med de elektroniske funksjonen for å gjøre den enklere å bruke.

- Mykstart ved kjøring
Myk start-funksjonen reduserer oppstartssjokket til et minimum, og gjør at maskinen starter mykt.
- Elektrisk brems
Denne maskinen er utstyrt med en elektrisk brems. Hvis maskinen konsekvent ikke stanser gressklipperknivene raskt når bryterspaken slippes, sendes maskinen til service hos et autorisert Makita-servicesenter.

BRUK

Klipping

⚠ADVARSEL: Før klipping, rydd vekk pinner og steiner fra klippeområdet. I tillegg, rensk vekk ugress fra området på forhånd.

⚠ADVARSEL: Bruk alltid vernebriller med sidevern under bruk av gressklipperen.

⚠FORSIKTIG: Hvis det klippede gresset eller fremmedlegemer hopper seg opp inni gressklipperen, må du ta ut låsenøkkelen og batteriet samt ta på deg hansker før du fjerner gresset eller fremmedlegemer.

OBS: Denne maskinen skal kun brukes til plenklipping. Ikke klipp ugress med denne maskinen.

► Fig.32

Hold håndtaket fast med begge hender under klippingen. Retningslinjen for klippehastighet er omtrent 7 til 14 meter per 10 sekunder.

► Fig.33

MERK: Når du klipper en lang eller tett plen, hvis plenen er ujevn eller resultatet ser dårlig ut etter gressklippingen, eller motorhastigheten reduseres under klipping, reduserer du klippehastigheten lavere enn det som er anbefalt i denne bruksanvisningen, eller øker klippehøyden.

Senterlinjene på fronthjulene er veiledende for klippebredden. Klipp i striper ved hjelp av senterlinjene som veiledning. Overlapp med halvdelen til én tredel av den foregående stripen for å klippe plenen jevnt.

► Fig.34: 1. Klippebredde 2. Overlapping 3. Senterlinje

Skift klipperetning hver gang for å unngå at mønsteret for gressstråretningen dannes bare i én retning.

► Fig.35

Du må regelmessig kontrollere gressnivået i gresskurven. Tøm ut gresset før den blir helt full. Før hver regelmessige kontroll, må du sørge for at du stanser gressklipperen og tar ut låsenøkkelen og batteriet.

OBS: Bruk av gressklipperen med gresskurven full, hindrer jevn rotering av kniven og legger en ekstra belastning på motoren, hvilket kan føre til at den bryter sammen.

Klippe lang plen

Ikke forsøk å klippe lang plen i én omgang. Det er bedre å klippe plenen trinnvis. La det gå en dag eller to mellom hver klipping, inntil plenen blir jevnt kort.

► Fig.36

MERK: Hvis du klipper plenen ned til en kort lengde i én omgang, kan gresset dø. Det oppklippede gresset kan også blokkere insiden av gressklipperen.

MERK: Hvis plenen er ujevn eller resultatet ser dårlig ut etter gressklippingen, eller motorhastigheten reduseres under klipping, reduserer du klippehastigheten eller øker klippehøyden.

Tømming av gresskurven

ADVARSEL: For å redusere faren for ulykker, kontroller regelmessig gresskurven for skade eller redusert styrke. Skift om nødvendig ut gresskurven.

1. Slipp bryterspaken og kjørespaken (for DLM481/DLM539), eller slipp bryterspaken (for DLM480/DLM538).

2. Ta ut låsenøkkelen.

3. Åpne bakdekselet, og ta ut gresskurven ved å holde i håndtaket.

► Fig.37: 1. Bakdekselet 2. Håndtak 3. Gresskurv

4. Tøm gresskurven.

VEDLIKEHOLD

ADVARSEL: Sørg alltid for at låsenøkkelen og batteriet er tatt ut av gressklipperen før oppbevaring eller bæring av gressklipperen, eller forsøk på inspeksjon eller vedlikehold.

ADVARSEL: Du må alltid ta ut låsenøkkelen når gressklipperen ikke er i bruk. Oppbevar låsenøkkelen på et trygt sted, utilgjengelig for barn.

ADVARSEL: Bruk hansker når du utfører inspeksjon eller vedlikehold.

ADVARSEL: Bruk alltid sikkerhets- eller vernebriller med sidevern når du utfører inspeksjon eller vedlikehold.

OBS: Aldri bruk gasolin, bensin, tynner alkohol eller lignende. Det kan føre til misfarging, deformering eller sprekke dannelse.

For å opprettholde produktets SIKKERHET og PÅLITELIGHET, må reparasjoner, vedlikehold og justeringer utføres av autoriserte Makita servicesentre eller fabrikk servicesentre, og det må alltid brukes reservedeler fra Makita.

Vedlikehold

1. Ta ut låsenøkkelen og batteriene, og lukk deretter batteridekselet.
2. Legg gressklipperen på siden. Fjern rester av klippet gress som har samlet seg på undersiden av gressklipperdekket.
3. Tøm vann mot bunnen av maskinen der kniven er festet.

OBS: Ikke vask maskinen med høytrykksvann.

4. Kontroller at alle muttere, bolter, skruer, osv. er ordentlig festet.
5. Kontroller bevegelige deler for skade, brudd og slitasje. Skadede og manglende deler skal repareres eller skiftes ut.
6. Oppbevar gressklipperen på et trygt sted som er utilgjengelig for barn.

For DLM481/DLM539

OBS: Ikke tøm vann i området som vises i figuren. Hvis du tømmer vann i motoren, kan det føre til at maskinen slutter å virke.

► Fig.38: 1. Område der vann ikke skal tømmes

For DLM481/DLM539

OBS: Ikke hell vann på maskinen mens maskinen står i oppreist posisjon som vist i figuren. Hvis maskinen står i oppreist posisjon, kan det renne vann ned over motorenheten, noe som kan føre til funksjonsfeil i maskinen.

► Fig.39

Bære gressklipperen

⚠️ FORSIKTIG: Før du bærer gressklipperen, må du kontrollere at batteriet og låsenøkkelen er fjernet.

Ved bæring av gressklipperen skal to personer holde i bakgrepet og det nedre holdedelen foran på maskinen som vist i figuren.

► **Fig.40:** 1. Nedre holdedel 2. Bakgrep

Oppbevaring

⚠️ FORSIKTIG: Når du stiller maskinen i oppreist posisjon, må du sørge for å plassere maskinen på en flat og stabil overflate. Hvis maskinen plasseres på en ustabil overflate, kan maskinen falle over ende og forårsake personskaade.

Oppbevar gressklipperen innendørs på et kjølig, tørt og låst sted. Ikke oppbevar gressklipperen og laderen på steder hvor temperaturen kan komme opp i eller overskride 40 °C.

1. Ta ut batteriet og låsenøkkelen.
2. Drei knotten 90° mens du trekker i knotten på det nedre håndtaket for å løsne låsepinnen. Utfør samme prosedyre på den andre siden, og fold deretter sammen håndtaket.

► **Fig.41:** 1. Knott

MERK: Hvis du holder i håndtaket, blir det enklere å løsne låsestiften mens du drar i knotten.

3. Drei knotten på begge sider 90°. Sørg for at knottene er ordentlig festet.

For DLM481/DLM539

► **Fig.42:** 1. Knott

For DLM480/DLM538

► **Fig.43:** 1. Knott

OBS: Vær forsiktig så du ikke klemmer ledningene når du folder sammen håndtaket.

4. Løsne fingermutrene på begge sider, og fold deretter sammen det øvre håndtaket slik det vises i figuren.

► **Fig.44:** 1. Fingermutter 2. Øvre håndtak

5. Plasser maskinen i oppreist posisjon.

MERK: Når gressklipperen settes i oppreist stilling, må du ikke holde bare i håndtaket, hold både i hoveddelen på gressklipperen og i håndtaket.

6. Oppbevar gresskurven slik det vises i figuren.

► **Fig.45:** 1. Gresskurv

► **Fig.46:** 1. Gresskurv

Demontere eller montere gressklipperkniven

⚠️ ADVARSEL: Bladet roterer i noen få sekunder etter at bryteren er sluppet. Ikke start noen form for arbeid før kniven har stanset helt.

⚠️ ADVARSEL: Ta alltid ut låsenøkkelen og batteriet når bladet skal fjernes eller monteres. Hvis låsenøkkelen og batteriet ikke fjernes, kan dette forårsake alvorlig personskaade.

⚠️ ADVARSEL: Når du håndterer bladet, bruk alltid hansker.

OBS: Når du fjerner eller monterer gressklipperkniven, må du bruke fastnøkkelen som følger med i pakken med maskinen.

Ta ut gressklipperkniven

1. Legg gressklipperen over på siden slik at justeringsspaken for klippehøyde kommer på den nedre siden.
2. Lås bladet ved å sette splinten så langt inn i hullet på gressklipperen som den går.
3. Drei boltene mot klokken med stjernenøkkel 17.
► **Fig.47:** 1. Gressklipperkniv 2. Splint 3. Stjernenøkkel
4. Fjern boltene og deretter gressklipperkniven.
► **Fig.48:** 1. Knivholder 2. Gressklipperkniv 3. Bolt 4. Fremspring

OBS: Når du monterer gressklipperkniven, må du sørge for at fremspringene på knivholderen passer inn i hullene i gressklipperkniven.

Montere gressklipperkniven

⚠️ ADVARSEL: Sett gressklipperkniven forsiktig inn. Den har en over- og underside.

⚠️ ADVARSEL: Stram til boltene med klokken for å feste bladet.

⚠️ ADVARSEL: Sørg for at gressklipperkniven og alle festedelenes er riktig montert og godt strammet.

⚠️ ADVARSEL: Når du skifter ut bladene, skal du alltid følge anvisningene i denne håndboken.

OBS: Når du strammer boltene for å montere gressklipperkniven, bruker du 19–29 N•m som tiltrekkingsmoment (verdiene er kun til referanse).

OBS: Når du har montert gressklipperkniven, fjerner du splinten fra gressklipperen.

Monter gressklipperknivene ved å følge fremgangsmåten for demontering i motsatt rekkefølge.

FEILSØKING

Inspiser utstyret selv før du bestiller reparasjon. Ikke prøv å demontere maskinen hvis du finner et problem som ikke er forklart i brukerveiledningen. I stedet skal du ta kontakt med et autorisert Makita-servicesenter, som alltid bruker reservedeler fra Makita til reparasjoner.

Unormal tilstand	Sannsynlig årsak (feil)	Løsning
Gressklipperen starter ikke.	De to batteriinnsettene er ikke satt inn.	Sett inn to ladede batterikassetter.
	Batteriproblem (med spenning)	Lad batteriet. Hvis ladingen ikke virker, skal batteriet skiftes ut.
	Låsenøkkelen er ikke satt inn.	Sett inn låsenøkkelen.
Motoren slutter å gå etter kort tids bruk.	Batteriets lade nivå er lavt.	Lad batteriet. Hvis ladingen ikke virker, skal batteriet skiftes ut.
	Klippehøyden er for lav.	Øk klippehøyden.
	Det sitter gress fast i gressklipperen.	Fjern gresset fra gressklipperen.
Motoren når ikke maksimalt antall omdreininger per minutt.	Batteriet er riktig satt inn.	Sett inn batteriet som beskrevet i denne håndboken.
	Batterieffekten minsker.	Lad batteriet. Hvis ladingen ikke virker, skal batteriet skiftes ut.
	Drivsystemet virker ikke slik det skal.	Kontakt ditt nærmeste autoriserte servicesenter hvis det oppstår behov for reparasjon.
Gressklipperkniven roterer ikke: ⇒ stans gressklipperen umiddelbart!	Fremmedlegemer, for eksempel grener, har satt seg fast nær kniven.	Fjern fremmedlegemet.
	Drivsystemet virker ikke slik det skal.	Kontakt ditt nærmeste autoriserte servicesenter hvis det oppstår behov for reparasjon.
Unormale vibrasjoner: ⇒ stans gressklipperen umiddelbart!	Kniven er i ubalanse, for slitt eller ujevnt slitt.	Skift ut kniven.

VALGFRITT TILBEHØR

⚠FORSIKTIG: Det anbefales at du bruker dette tilbehøret eller verktøyet sammen med Makita-maskinen som er spesifisert i denne håndboken. Bruk av annet tilbehør eller verktøy kan forårsake personskader. Tilbehør og verktøy må kun brukes til det formålet det er beregnet på.

Ta kontakt med ditt lokale Makita-servicesenter hvis du trenger mer informasjon om dette tilbehøret.

- Gressklipperkniv
- Makita originalbatteri og lader

MERK: Enkelte artikler på listen kan være inkludert som standardtilbehør i produktpakken. Artiklene kan variere fra land til land.

TEKNISET TIEDOT

Malli:	DLM480	DLM481	DLM538	DLM539
Leikkuuleveys (terän halkaisija)	480 mm		534 mm	
Kuormittamaton kierrosnopeus	3 100 min ⁻¹		3 000 min ⁻¹	
Ruohonleikkurin vaihtoterän osanumero	Suora ruohonleikkurin terä	191V97-3		191V96-5 / 191W87-2
	Silppuvaava terä	191Y64-6		191Y65-4
Mitat (P x L x K)	toiminnan aikana	P: 1 690 mm – 1 740 mm L: 530 mm K: 930 mm – 1 060 mm		P: 1 810 mm – 1 870 mm L: 580 mm K: 920 mm – 1 040 mm
	varastoitaessa (ilman ruohosäiliötä)	580 mm x 530 mm x 870 mm		610 mm x 580 mm x 925 mm
Ajonopeus	–	2,5–5,0 km/h	–	2,5–5,0 km/h
Nimellisjännite	DC 36 V			
Nettopaino	24,5 – 26,8 kg	27,0 – 29,3 kg	25,5 - 28,0 kg	27,9–30,4 kg
Suojausluokka	IPX4			

- Jatkuvasta tutkimus- ja kehitystyöstämme johtuen esitetyt tekniset tiedot saattavat muuttua ilman erillistä ilmoitusta.
- Tekniset tiedot voivat vaihdella maittain.
- Paino voi olla erilainen lisävarusteista sekä akusta johtuen. EPTA-menettelytavan 01/2014 mukaisesti, taulukossa on kuvattu kevyin ja painavin laiteyhdistelmä.

Käytettävä akkupaketti ja laturi

Akkupaketti	BL1815N / BL1820B / BL1830B / BL1840B / BL1850B / BL1860B
Laturi	DC18RC / DC18RD / DC18RE / DC18SD / DC18SE / DC18SF / DC18SH / DC18WC

- Tiettyjä yläpuolella kuvattuja akkuja ja latureita ei ehkä ole saatavana asuinalueestasi johtuen.

VAROITUS: Käytä vain edellä eriteltyjä akkupaketteja ja latureita. Muiden akkupakettien ja laturien käyttäminen voi aiheuttaa loukkaantumisen ja/tai tulipalon.

VAROITUS: Älä käytä koneen kanssa johdollista virtälähdettä, kuten akkusovittinta tai kannettavaa tehoyksikköä. Tällaisen virtälähteen johto voi haitata käyttöä ja aiheuttaa henkilövahingon.

Symbolit

Laitteessa on mahdollisesti käytetty seuraavia symboleja. Opettele niiden merkitys ennen käyttöä.

	Noudata erityistä varovaisuutta ja kiinnitä huomiota.
	Lue käyttöohje.
	Vaara; varo sinkoutuvia kappaleita.
	Sivullisten henkilöiden etäisyyden työkalusta on oltava vähintään 15 m.
	Älä koskaan työnnä käsiäsi tai jalkojasi ruohonleikkurin alla olevan terän lähelle. Ruohonleikkurin terät pyörivät moottorin sammuttamisen jälkeenkin.
	Irrota lukitusavain ennen ruohonleikkurin tarkistamista, säätämistä, puhdistamista, huoltamista tai asettamista säilöön.



Varoitus: Irrota akku ennen huoltotoimia.



Sähköiskuvaara. Kosketus veden kanssa voi johtaa sähköiskuun.



Älä kaada vettä tuotteen päälle.



Koskee vain EU-maita
Käytetyillä sähkö- ja elektroniikkalaitteilla, paristoilla ja akuilla voi olla negatiivisia ympäristö- ja terveysvaikutuksia niissä käytettyjen haitallisten osien takia. Älä hävitä sähkö- ja elektroniikkalaitteita tai akkuja kotitalousjätteen mukana! Vanhoja sähkö- ja elektroniikkalaitteita, paristoja ja akkuja koskevan EU-direktiivin ja sen perusteella laadittujen kansallisten lakien mukaan käytetyt sähkö- ja elektroniikkalaitteet, paristot ja akut on kierrätettävä toimittamalla ne erilliseen, ympäristönsuojelusäädösten mukaisesti toimivaan kierrätyspisteeseen. Tämä on ilmaista laitteessa olevalla ylivedetyn roska-astian symboliolla.



EU:n ulkona käytettävien laitteiden melupäästöjä koskevan direktiivin mukainen taattu äänitehotaso.



Australian Uuden Etelä-Walesin osavaltion melutasolainsäädännön mukainen äänitehotaso

Käyttötarkoitus

Kone on tarkoitettu ruohonleikkuuseen.

Melutaso

Tyypillinen A-painotettu melutaso määräytyy standardin EN IEC 62841-4-3 mukaan:

Malli	Mitattu äänitehotaso (L_{WA}): (dB(A))	Taattu äänitehotaso (L_{WA}): (dB(A))
DLM480	92	95
DLM481	92	95
DLM538	95	98
DLM539	95	98

Malli	Äänenpainetaso (L_{pA}): (dB(A))	Äänenpainetason epävarmuus (K): (dB(A))
DLM480	84	3
DLM481	84	3
DLM538	85	3
DLM539	85	3

HUOMAA: Ilmoitetut melutasoarvot on mitattu standarditestausmenetelmän mukaisesti ja niiden avulla voidaan vertailla työkaluja keskenään.

HUOMAA: Ilmoitettuja melutasoarvoja voidaan käyttää myös altistumisen alustavaan arviointiin.

VAROITUS: Käytä kuulosuojaimia.

VAROITUS: Sähkötyökalun käytön aikana mitattu melutasoarvo voi poiketa ilmoitetuista arvoista laitteen käyttötavan ja erityisesti käsiteltävän työkappaleen mukaan.

VAROITUS: Selvitä käyttäjän suojaamiseksi tarvittavat varoimet todellisissa käyttöolosuhteissa tapahtuvan arvioidun altistumisen mukaisesti (ottaen huomioon käyttöjakso kokonaisuudessaan, myös jaksot, joiden aikana laite on sammutettuna tai käy tyhjäkäynnillä).

Tärinä

Kokonaistärinä (kolmen akselin vektorien summa) määrytyy standardin EN IEC 62841-4-3 mukaan:

Malli DLM480

Tärinäpäästö (a_{rh}): 2,5 m/s² tai alhaisempi
Virhemarginaali (K): 1,5 m/s²

Malli DLM481

Tärinäpäästö (a_{rh}): 2,5 m/s² tai alhaisempi
Virhemarginaali (K): 1,5 m/s²

Malli DLM538

Tärinäpäästö (a_{rh}): 2,5 m/s² tai alhaisempi
Virhemarginaali (K): 1,5 m/s²

Malli DLM539

Tärinäpäästö (a_{rh}): 2,5 m/s² tai alhaisempi
Virhemarginaali (K): 1,5 m/s²

HUOMAA: Ilmoitetut kokonaistärinäarvot on mitattu standarditestausmenetelmän mukaisesti ja niiden avulla voidaan vertailla työkaluja keskenään.

HUOMAA: Ilmoitettuja kokonaistärinäarvoja voidaan käyttää myös altistumisen alustavaan arviointiin.

VAROITUS: Sähkötyökalun käytön aikana mitattu todellinen tärinäpäästöarvo voi poiketa ilmoitetuista arvoista laitteen käyttötavan ja erityisesti käsiteltävän työkappaleen mukaan.

VAROITUS: Selvitä käyttäjän suojaamiseksi tarvittavat varoimet todellisissa käyttöolosuhteissa tapahtuvan arvioidun altistumisen mukaisesti (ottaen huomioon käyttöjakso kokonaisuudessaan, myös jaksot, joiden aikana laite on sammutettuna tai käy tyhjäkäynnillä).

Vaativuuden mukaisuusvaatimukset

Koskee vain Euroopan maita

Vaativuuden mukaisuusvaatimukset on liitetty tähän käyttöoppaaseen liitteeksi A.

TURVAVAROITUKSET

Sähkötyökalujen käyttöä koskevat yleiset varoitukset

VAROITUS Tutustu kaikkiin tämän sähkötyökalun mukana toimitettuihin turvavaroituksiin, ohjeisiin, kuviin ja teknisiin tietoihin. Seuraavassa esitettyjen ohjeiden noudattamatta jättäminen voi aiheuttaa sähköiskun, tulipalon ja/tai vakavan vamman.

Säilytä varoitukset ja ohjeet tulevaa käyttöä varten.

Varoituksissa käytettävällä termillä "sähkötyökalu" tarkoitetaan joko verkkovirtaa käyttävää (johdollista) työkalua tai akkukäyttöistä (johdotonta) työkalua.

Akkukäyttöisen ruohonleikkurin turvallisuusohjeet

1. Älä käytä ruohonleikkuria huonoissa sääolosuhteissa, varsinkin ukkosella salamankun vaaran takia. Näin voit pienentää salamankun riskiä.
2. Tarkista huolellisesti, ettei ruohonleikkurilla leikattavalla alueella ole eläimiä. Ruohonleikkuri voi vahingoittaa eläimiä.
3. Tarkista ruohonleikkurilla leikattava alue huolellisesti ja poista kaikki kivet, tikut, johdot, luut ja muut vierasesineet alueelta. Sinkoutuvat esineet voivat aiheuttaa henkilövahingon.
4. Tarkista ennen ruohonleikkurin käyttöä silmä- ja korvasuojaimien, että terä ja teräasetelma eivät ole kuluneet tai vaurioituneet. Kuluneet tai vaurioituneet osat lisäävät henkilövahinkojen vaaraa.

5. **Tarkista säännöllisesti, ettei ruohonkerääjässä ole kulumia tai murtumia.** Kulunut tai vaurioitunut ruohonkerääjä lisää henkilövahinkojen vaaraa.
6. **Pidä kaikki suojat paikoillaan. Suojien on oltava kunnossa ja asennettuina oikein.** Huonosti paikallaan oleva, vaurioitunut tai viallisesti toimiva suoja voi johtaa henkilövahinkoon.
7. **Älä päästä roskia jäähdytysilma-aukkoihin.** Tukkeutuneet ilma-aukot ja roskat voivat aiheuttaa ylikuumenemista ja tulipalon riskin.
8. **Käytä ruohonleikkuria käyttäessäsi aina luis-tamattomia turvajalkineita. Älä käytä ruohonleikkuria paljain jaloin tai avosandaalit jalassa.** Se vähentää jalkojen vahingoittumisvaaraa, jos ne ottavat kiinni liikkuvaan terään.
9. **Käytä ruohonleikkuria käyttäessäsi aina pitkiä housuja.** Paljas iho lisää sinkoutuvista esineistä johtuvaa vahingoittumisvaaraa.
10. **Älä käytä ruohonleikkuria mörällä nurmikolla. Kävele, älä koskaan juokse.** Tämä vähentää liukastumisen ja kaatumisen vaaraa, jotka voivat johtaa henkilövahinkoon.
11. **Älä käytä ruohonleikkuria erittäin jyrkissä rin-teissä.** Tämä vähentää hallinnan menettämisen, liukastumisen ja kaatumisen vaaraa, jotka voivat johtaa henkilövahinkoon.
12. **Työkenneltäessä rinteissä säilytä hyvä tasa-paino, kulje rinteiden poikki, ei koskaan ylös tai alas, ja ole erittäin varovainen vaihtaessasi suuntaa.** Tämä vähentää hallinnan menettä-misen, liukastumisen ja kaatumisen vaaraa, jotka voivat johtaa henkilövahinkoon.
13. **Ole erityisen varovainen, kun peruutat ruohonleikkuria tai vedät sitä itseäsi kohti. Kiinnitä aina huomiota ympäristöön.** Se vähentää käytön aikaista kompastumisriskiä.
14. **Älä kosketa teriä ja muita vaarallisia liikkuvia osia, kun ne ovat vielä liikkeessä.** Se vähentää liikkuvien osien aiheuttamien vammojen riskiä.
15. **Kun poistat kiinni jäänyttä leikkumateriaalia tai puhdistat ruohonleikkuria, varmista, että kaikki virtakytkimet ovat sammutettuja ja että akkupaketti kytketty irti.** Ruohonleikkurin käynnistyminen vahingossa saattaa aiheuttaa vakavan henkilövahingon.
2. **Aseta lukitusavain ruohonleikkuriin vasta, kun leikkuri on käyttövalmis.**
3. **Varo koloja, vakoja, töyssyjä, kiviä ja muita näkymättömissä olevia esineitä.** Epätasainen maasto lisää liukastumisesta ja kaatumisesta joh-tuevien tapaturmien riskiä. Pitkä nurmi voi peittää esteet näkyvistä.
4. **Älä aseta lukitusavainta paikalleen tai poista sitä sateella.**

Käyttö

1. **Sammuta ruohonleikkuri, irrota lukitusavain ja varmista, että kaikki liikkuvat osat ovat pysäh-tyneet täysin**
 - aina poistuessasi ruohonleikkurin luota,
 - ennen tukosten poistamista tai kourun puhdistamista,
 - ennen ruohonleikkurin tarkistamista, puhdistamista tai kunnossapitoa.
2. **Jos ruohonleikkuri osuu vieraaseen esinee-seen, toimi seuraavasti:**
 - Pysäytä ruohonleikkuri, vapauta kytkin-vipu ja odota, että terä pysähtyy täysin.
 - Irrota lukitusavain ja akkupaketti.
 - Tarkista huolellisesti, ettei ruohonleikkuri ole vaurioitunut.
 - Vaihda terä, jos se on vaurioitunut. Korjaa mahdolliset vauriot ennen ruohonleikku-rin käynnistämistä uudelleen ja käytön jatkamista.
3. **Jos ruohonleikkuri alkaa tärinästä epänormaalisti tai huomaat jotain epätavallista, noudata näitä ohjeita välittömästi:**
 - Pysäytä ruohonleikkuri, vapauta kytkin-vipu ja odota, että terä pysähtyy täysin.
 - Irrota lukitusavain ja akkupaketti.
 - Tarkasta vauriot ja vaihda tai korjaa vaurioituneet osat.
 - Tarkista ja kiristä löystyneet osat.
4. **Älä koskaan käytä ruohonleikkuria, jos suojukset tai kilvet ovat vioittuneet tai turvalaitteet, esimerkiksi kivisuoja ja/tai ruohosäiliö, eivät ole paikallaan.**
5. **Käytä ruohonleikkuria vain päivänvalossa tai kirkkaassa keinovalossa.**
6. **Käynnistä moottori varovaisuutta noudattaen ja ohjeiden mukaisesti ja pidä jalkasi poissa terän (terien) ulottuvilta.**
7. **Varo, etteivät ruohonleikkurin terät vahingoita jalkojasi tai käsiäsi.**
8. **Pysäytä terät, jos ruohonleikkuria on tarpeen kallistaa ruohottomia alueita ylittettäessä, sekä silloin, kun siirräät sitä leikkattavalle nurmi-alueelle ja takaisin.**
9. **Älä kallista ruohonleikkuria moottorin käynnistyksen aikana, ellei se ole käynnistyksen kannalta välttämätöntä. Jos kallistaminen on välttämätöntä, kallista laitetta mahdollisimman vähän ja kohota vain käyttäjään nähden kauimpana olevaa puolta. Varmista aina, että molemmat kätesi ovat käyttöasennossa, ennen kuin lasket ruohonleikkurin maahan.**
10. **Älä aseta käsiäsi tai jalkojasi pyörivien osien alle tai lähelle. Pidä poistoaukko aina esteettö-mänä jäämistä.**

Muut turvallisuusohjeet

Koulutus

1. **Lue ohjeet huolellisesti. Perekdy ruohonleik-kurin säätimiin ja asianmukaiseen käyttöön.**
2. **Älä anna lasten tai näihin ohjeisiin perehtymättö-mien henkilöiden käyttää ruohonleikkuria. Paikalliset määräykset voivat rajoittaa käyttäjän ikää.**
3. **Ruohonleikkuria ei saa koskaan käyttää, kun lähistöllä on muita henkilöitä, etenkin lapsia, tai lemmikkieläimiä.**
4. **Muista, että käyttäjä vastaa tapaturmista tai vahingoista, jotka hän aiheuttaa muille ihmisille tai heidän omaisuudelleen.**

Valmistelu

1. **Varmista ennen ruohonleikkueen aloittamista, ettei alueella ole muita ihmisiä. Lopeta ruohonleikkurin käyttö, jos työskentelyalueelle tulee muita.**

11. Pidä aina tukevasti kiinni kahvasta.
12. Älä tartu leikkuuteriin tai leikkaaviin reunoihin, kun nostat tai kannattelet ruohonleikkuria.
13. Pidä jalkasi ja kätesi kaukana pyöriivistä teristä. Varoitus - terät pyörivät vielä sen jälkeen kun leikkuri on kytketty pois päältä.
14. Jos ruohonleikkurissa on leikkuukorkeuden säätömahdollisuus, älä koskaan yritä säätää leikkuukorkeutta, kun ruohonleikkuri on käynnissä.
15. Vapautta kytkinvipu ja anna terien pysähtyä ennen ajo- ja kävelyreittien, yleisten teiden tai sorapintaisten alueiden ylittämistä. Poista lukitusavain, jos poistut ruohonleikkurin luota, kurotut nostamaan jotakin tai ottamaan jotakin pois tieltä tai teet muuta, joka voi jostain syystä siirtää huomiosi pois laitteen käytöstä.
16. Älä käynnistä ruohonleikkuria seisossasi poistoaukon edessä.
17. Älä koskaan suuntaa ulos lentävää materiaalia ihmisiä kohti. Vältä ulos lentävän materiaalin suuntaamista seinää tai muuta esteettä kohti. Materiaali voi tällöin kimmota takaisin käyttäjää kohti. Pysäytä terä, kun ylität sorapintoja.
18. Älä vedä ruohonleikkuria taaksepäin ellei se ole täysin välttämätöntä. Jos ruohonleikkuria on vedettävä taaksepäin aidan tai muun vastaavan esteen ohittamiseksi, katso taakseen ja alas ennen kuin aloitat liikkua taaksepäin.
19. Sammuta moottori ja odota, että terä pysähtyy täysin, ennen kuin irrotat ruohonkerääjän. Pidä mielessä, että terät pyörivät hetken vapaasti sammuttamisen jälkeen.
20. Kun käytät laitetta mutaisessa maastossa, märässä rinteessä tai liukkaassa paikassa, kiinnitä erityistä huomiota hyvän tasapainon säilyttämiseen.
21. Vältä työskentelemistä heikoissa olosuhteissa, jotka saattavat uuvuttaa käyttäjää liiallisesti.
22. Älä käytä laitetta huonoissa sääoloissa, kun näkyvyys on rajoittunut. Muussa tapauksessa seurauksena voi olla heikentyneestä näkyvyydestä johtuva kaatuminen tai virheikäyttö.
23. Älä upota laitetta lammikkoihin.
24. Poista imuaukkoon (tuuletusaukkoon) kiinni jäävät mätät lehdet ja lika.
25. Älä käytä laitetta lumessa.
26. Jos leikattava nurmikko on märkää, sitä todennäköisesti pakkaantuu laitteen sisälle. Tarkista tällöin laitteen kunto säännöllisesti ja poista kiinni jäänyt ruoho tarvittaessa.
27. Kun käytät konetta, kiinnitä huomiota putkien ja johtojen sijaintiin.

Kunnossapito ja säilytys

1. Tarkasta ja huolla ruohonleikkuri säännöllisesti.
2. Varmista laitteen käyttöturvallinen kunto tarkistamalla, että kaikki mutterit, pultit ja ruuvit ovat tiukasti kiinni.
3. Tarkista säännöllisesti, ettei ruohosäiliössä ole kulumia tai murtumia. Tarkista ennen laitteen asettamista säiliöön, että ruohosäiliö on tyhjä. Kulunut ruohosäiliö on turvallisuussyistä korvattava tehdasuudella.

4. Käytä vain valmistajan tässä ohjeessa ilmoittamia teriä.
5. Varo laitteen säätämisen aikana, etteivät sormesi jää pyörivien terien ja ruohonleikkurin kiinteiden osien väliin.
6. Tarkista säännöllisesti, että terän kiinnityspultit ovat riittävän kireällä.
7. Anna ruohonleikkurin jäähtyä, ennen kuin siirrät sen varastoon.
8. Kun huollat teriä, muista, että vaikka virta on katkaistu, terät voivat silti liikkua.
9. Älä koskaan poista tai peukaloi turvalaitteita. Tarkista säännöllisesti, että ne toimivat oikein. Älä koskaan yritä vaikuttaa turvalaitteiden tarkoituksenmukaiseen toimintaan tai heikentää turvalaitteen toimivuutta.
10. Älä jätä laitetta ulos sateeseen ja valvomatta.
11. Älä pese laitetta korkeapaineisella vesisuihkulla.
12. Kun peset laitteen, irrota akku, poista lukitusavain ja sulje akun suojakansi ennen pesua ja kaada laitteen päälle vettä niin, että se valuu laitteen pohjaa eli terän kiinnityskohtaa kohti.
13. Kun varastoit laitteen, vältä sijoittamista sitä paikkaan, jossa se altistuu suoralle auringonpaisteelle, sateelle, kuumuudelle tai kosteudelle.
14. Tee tarkistukset ja huoltotoimet paikassa, joka on suojassa sateelta.
15. Irrota kiinni jäänyt lika laitteesta ja kuivaa laite huolellisesti ennen sen varastoimista. Muutoin voi olla olemassa riski jäätymisestä johtuvalle toimintahäiriöllä vuodenajasta ja alueesta riippuen.

Sähköturvallisuus ja akku

1. Älä avaa tai riko akkuja. Akusta mahdollisesti vuotava elektrolyytti on syövyttävää ja saattaa vaurioittaa ihoa tai silmiä. Se saattaa olla myrkyllistä nieltynä.
2. Älä lataa akkua sateessa tai kosteissa olosuhteissa.
3. Älä lataa akkua ulkona.
4. Älä käsittele laturia tai sen liitinosaa ja latausliittimiä märin käsin.
5. Älä vaihda akkua sateessa.
6. Älä kastele akun liittimiä nesteellä, kuten vedellä, äläkä upota akkua nesteeseen. Älä jätä akkua sateeseen, äläkä lataa tai käytä akkua kosteassa tai märässä paikassa tai varastoi sitä tällaiseen paikkaan. Jos liitin kastuu tai akun sisälle pääsee nestettä, akku voi mennä oikosulkuun, mikä aiheuttaa ylikuumentumisen, tulipalon tai räjähdyksen vaaran.
7. Kun akku on poistettu laitteesta tai laturista, kiinnitä akun suojakansi akkuun ja varastoi se kuivaan paikkaan.
8. Älä vaihda akkua märin käsin.
9. Vältä vaarallisia ympäristöjä. Älä käytä konetta kosteissa tai märissä paikoissa äläkä altista sitä sateelle. Koneen sisään päässyt vesi lisää sähköiskun vaaraa.
10. Jos akkupaketti kastuu, valuta vesi pois sen sisältä ja kuivaa se sitten kuivalla kankaalla. Kuivaa akkupaketti kokonaan kuivassa paikassa ennen käyttöä.

SÄILYTÄ NÄMÄ OHJEET.

VAROITUS: ÄLÄ anna työkalun helpokäyttöisyyden (toistuvan käytön aikaansaama) johtaa sinua väärään turvallisuuden tunteeseen niin, että laiminlyöt työkalun turvaohjeiden noudattamisen. **VÄÄRINKÄYTTÖ** tai tässä käyttöohjeessa ilmoitettujen turvämääräysten laiminlyönti voi aiheuttaa vakavia henkilövahinkoja.

Akkupakettia koskevia tärkeitä turvaohjeita

1. Ennen akun käyttöönottoa tutustu kaikkiin laturissa (1), akussa (2) ja akkukäyttöisessä tuotteessa (3) oleviin varoitusteksteihin.
2. Älä pura tai peukalo imuria akkupakettia. Se voi johtaa tulipaloon, ylikuumentumiseen tai räjähdykseen.
3. Jos akun toiminta-aika lyhenee merkittävästi, lopeta akun käyttö. Seurauksena voi olla ylikuumentuminen, palovammoja tai jopa räjähdys.
4. Jos akkuneustettä pääsee silmiin, huuhtele puhtaalla vedellä ja hakeudu välittömästi lääkärin hoitoon. Akkuneuste voi aiheuttaa näön menetyksen.
5. Älä oikosulje akkua.
 - (1) Älä koske akun napoihin millään sähköä johtavalla materiaalilla.
 - (2) Vältä akun oikosulkemista äläkä säilytä akkua yhdessä muiden metalliesineiden, kuten naulojen, kolikoiden ja niin edelleen kanssa.
 - (3) Älä aseta akkua alttiiksi vedelle tai sateelle.

Oikosulku voi aiheuttaa virtapiikin, ylikuumentumista, palovammoja tai laitteen rikkoutumisen.
6. Älä säilytä ja käytä työkalua ja akkupakettia paikassa, jossa lämpötila voi nousta 50 °C:een (122 °F) tai korkeammaksi.
7. Älä hävitä akkua polttamalla, vaikka se olisi pahoin vaurioitunut tai täysin loppuun kulunut. Avotuli voi aiheuttaa akun räjähtämisen.
8. Älä naulaa, leikkaa, purista, heitä tai pudota akkupakettia tai iske sitä kovia esineitä vasten. Tällaiset toimet voivat johtaa tulipaloon, ylikuumentumiseen tai räjähdykseen.
9. Älä käytä viallista akkua.
10. Sisältyviä litium-ioni-akkuja koskevat vaarallisten aineiden lainsäädännön vaatimukset. Esimerkiksi kolmansien osapuolten huolintaliikkeiden tulee kaupallisissa kuljetuksissa noudattaa pakkaamista ja merkintöjä koskevia erityisvaatimuksia.

Lähetettävän tuotteen valmistelu edellyttää vaarallisten aineiden asiantuntijan neuvontaa. Huomioi myös mahdollisesti yksityiskohtaisemmat kansalliset määräykset

Akun avoimet liittimet tulee suojata teipillä tai suojuksella ja pakkaaminen tulee tehdä niin, ettei akku voi liikkua pakkauksessa.

11. Kun akkupaketti on hävitettävä, poista se laitteesta ja hävitä se turvallisesti. Hävitä akku paikallisten määräysten mukaisesti.
12. Käytä akkuja vain Makitan ilmoittamien tuotteiden kanssa. Akkujen asentaminen yhteen sopimattomiin tuotteisiin voi aiheuttaa tulipalon, liiallisen ylikuumentumisen, räjähdyksen tai akkuneustevuotoja.
13. Jos laitetta ei käytetä pitkään aikaan, akku on poistettava laitteesta.
14. Akkupaketin lämpötila voi käytön aikana ja sen jälkeen nousta niin kuumaksi, että se voi aiheuttaa palovammoja tai lieviä palovammoja. Käsittele kuumia akkupaketteja huolellisesti.
15. Älä kosketa työkalun liittimiä välittömästi käytön jälkeen, sillä se voi olla riittävän kuuma aiheuttamaan palovammoja.
16. Älä päästä lastuja, pölyä tai maata akkupaketin liittimiin, aukkoihin ja uriin. Se voi johtaa työkalun tai akkupaketin lämpenemiseen, syttymiseen, purkautumiseen tai toimintahäiriöön, mikä voi aiheuttaa palovammoja tai vammoja.
17. Ellei työkalu tue käyttöä korkeajännitelinjojen lähellä, älä käytä akkupakettia korkeajännitelinjojen lähellä. Se voi johtaa työkalun tai akkupaketin toimintahäiriöön tai rikkoutumiseen.
18. Pidä akku pois lasten ulottuvilta.

SÄILYTÄ NÄMÄ OHJEET.

HUOMIO: Käytä vain alkuperäisiä Makita-akkuja. Muiden kuin aitojen Makita-akkujen, tai mahdollisesti muutettujen akkujen käyttö voi johtaa akun murtumiseen ja aiheuttaa tulipaloja, henkilö- ja omaisuusvahinkoja. Se mitätöi myös Makita-työkalun ja -laturin Makita-takuun.

Vihjeitä akun käyttöön pidentämiseksi

1. Lataa akku ennen kuin se purkautuu täysin. Lopeta aina työkalun käyttö ja lataa akku, jos huomaat työkalun tehon vähenevän.
2. Älä koskaan lataa uudestaan täysin ladattua akkua. Ylilataaminen lyhentää akun käyttöikää.
3. Lataa akku huoneen lämpötilassa välillä 10 °C - 40 °C. Anna kuuman akun jäähtyä ennen lataamista.
4. Irrota akkupaketti työkalusta tai laturista, kun sitä ei käytetä.
5. Lataa akkupaketti, jos et käytä sitä pitkään aikaan (yli kuusi kuukautta).

KOKOONPANO

VAROITUS: Varmista aina ennen ruohonleikkurin huolto- ja korjaustoimia, että lukitusavain ja akkupaketti on irrotettu. Jos lukitusavainta ja akkua ei irroteta, laite voi käynnistyä vahingossa ja aiheuttaa vakavia vammoja.

VAROITUS: Älä koskaan käynnistä ruohonleikkuria, jos sen kaikkia osia ei ole täysin asennettu. Jos kaikki osat eivät ole paikallaan, kone voi käynnistyä tahattomasti ja aiheuttaa vakavia vammoja.

Kahvan asentaminen

HUOMAUTUS: Kun asennat kahvoja, varo jättämästä virtajohtoa kahvojen väliin. Jos virtajohto on vahingoittunut, leikkurin kytkin ei ehkä toimi.

1. Kohdista kahvan alaosaan reikä kahvan yläosaan reikään, työnnä pultti paikalleen ulkokautta ja kiristä sitten siipimutteri sisäkautta. Tee sama toisella puolella.

DLM481/DLM539

- **Kuva1:** 1. Pultti 2. Siipimutteri 3. Kahvan alaosa
4. Kahvan yläosa

DLM480/DLM538

- **Kuva2:** 1. Pultti 2. Siipimutteri 3. Kahvan alaosa
4. Kahvan yläosa

2. Kierrä nuppia 90° vetämällä samalla kahvan alaosaan nuppia lukitustapin vapauttamiseksi. Tee sama toisella puolella. Nosta kahvaa ja kierrä sitten kummankin puolen nuppia 90°. Varmista, että nupit ovat lujasti kiinni.
► **Kuva3:** 1. Nuppi

HUOMAA: Kun kahvaa tuetaan, lukitusnastan irrottaminen nuppia vedettäessä on helpompaa.

Levitysosan irrottaminen

1. Avaa takakansi.
► **Kuva4:** 1. Takakansi
2. Nosta levitysosa hieman ja irrota se.
► **Kuva5:** 1. Levitysosa

Ruohosäiliön kokoaminen

1. Nosta ruohosäiliön yläkiinnitin ylös.
► **Kuva6:** 1. Yläkiinnitin
2. Pidä kiinni rungon kahvasta ja työnnä runko niin syväälle ruohosäiliöön kuin se menee.
► **Kuva7:** 1. Kahva

HUOMAUTUS: Älä työnnä kahvaa ruohosäiliöön. Varmista, että runko asettuu ruohosäiliön tikkauksiin.

3. Varmista, etteivät ruohosäiliön kulmat riipu.
► **Kuva8**
4. Avaa yläkiinnitin ja kiinnitä se runkoon.
► **Kuva9**
5. Kiinnitä kaikki muut kiinnittimet runkoon kuvan mukaisesti. Varmista, että kaikki kiinnittimet ovat pitävästi kiinni rungossa.
► **Kuva10:** 1. Kiinnitin

Ruohosäiliön asentaminen ja irrottaminen

Ruohosäiliö asennetaan seuraavien ohjeiden mukaisesti.

1. Avaa takakansi.
► **Kuva11:** 1. Takakansi
2. Ota kiinni ruohosäiliön kahvasta ja ripusta ruohosäiliö siten ruohonleikkurin rungossa olevaan tankoon kuvan mukaisesti.
► **Kuva12:** 1. Ruohosäiliö 2. Kahva 3. Tanko

Irrota ruohosäiliö avaamalla takakansi, tarttumalla ruohosäiliön kahvaan ja vetämällä ruohosäiliö irti.

Levitysosan kiinnittäminen

1. Avaa takakansi ja irrota ruohosäiliö.
► **Kuva13:** 1. Takakansi 2. Ruohosäiliö
2. Kiinnitä levitysosa työntämällä sitä niin pitkälle kuin se menee. Levitysosan ulokkeiden pitää asettua koneen reikiin.
► **Kuva14:** 1. Levitysosa 2. Uloke

TOIMINTOJEN KUVAUS

Akun asentaminen tai irrottaminen

HUOMIO: Sammuta kone aina ennen akun kiinnittämistä tai irrottamista.

HUOMIO: Pidä koneesta ja akkupaketista tiukasti kiinni, kun irrotat tai kiinnität akkupakettia. Jos kone tai akkupaketti putoaa käsistäsä, ne voivat vaurioitua tai aiheuttaa henkilövamman.

HUOMIO: Varmista ennen käyttöä, että akun suojuus on lukittu. Muuten muta, hiekka tai vesi voisi vaurioittaa tuotetta tai akkua.

HUOMIO: Työnnä akkupaketti aina pohjaan asti, niin että punainen ilmaisin ei enää näy. Jos akku ei ole kunnolla paikallaan, se voi pudota koneesta ja aiheuttaa vammoja joko sinulle tai sivullisille.

HUOMIO: Älä käytä voimaa akun asennuksessa. Jos akku ei liu'uta paikalleen helposti, se on väärässä asennossa.

HUOMIO: Pidä akun suojakannesta tiukasti kiinni, kun asennat tai irrotat akkupakettia.

HUOMAA: Kone ei toimi vain yhdellä akkupaketilla.

Akun kiinnittäminen paikalleen;

1. Vedä lukitusvipu ylös ja avaa sitten akun suojakansi.
► **Kuva15:** 1. Akun suojuus 2. Lukitusvipu
2. Kohdista akkupaketin kieleke koneen rakkoon ja liu'uta sitten akkupakettia, kunnes se lukittuu paikalleen naksauten.
► **Kuva16:** 1. Akkupaketti
3. Työnnä lukitusavain paikalleen niin pitkälle kuin se menee.
► **Kuva17:** 1. Lukitusavain
4. Sulje akun kansi ja työnnä sitä, kunnes se lukittuu lukitusvivulla.

Akkupaketin irrottaminen;

1. Vedä lukitusvipu ylös ja avaa akun suojus.
2. Vedä akkupaketti ulos koneesta painamalla samalla akkupaketin etupuolella olevaa painiketta.
3. Vedä lukitusavain irti.
4. Sulje akun suojus.

Koneen/akun suojausjärjestelmä

Kone on varustettu koneen/akun suojausjärjestelmällä. Tämä järjestelmä pidentää koneen ja akun käyttöikää katkaisemalla automaattisesti moottorin virran. Kone pysähtyy automaattisesti kesken käytön, jos siinä tai akussa ilmenee jokin seuraavista tilanteista:

Ylikuormitussuoja

Kun akkuä käytetään tavalla, joka saa sen kuluttamaan epätavallisen suuren määrän virtaa, kone pysähtyy automaattisesti ja päävirran merkkivalo vilkkuu vihreänä. Katkaise tässä tilanteessa koneesta virta ja lopeta ylikuormitustilan aiheuttanut käyttö. Käynnistä sitten kone uudelleen kytkemällä siihen virta.

Ylikuumenemissuoja

Koneen tai akun ylikuumentessa kone pysähtyy automaattisesti ja päävirran merkkivalo alkaa vilkkua punaisena. Anna tällöin koneen ja akun jäähtyä, ennen kuin kytket virran uudelleen päälle.

Ylipurkautumissuoja

Jos akkukapasiteetti ei riitä, kone pysähtyy automaattisesti ja päävirran merkkivalo alkaa vilkkua punaisena. Irrota tällöin akku koneesta ja lataa akkupaketit tai vaihda akkupaketit täyteen ladattuihin.

Suojaus muilta haitallisilta tapahtumilta

Suojausjärjestelmä on suunniteltu suojaamaan muiltakin tapahtumilta, jotka voisivat vahingoittaa konetta, ja pysäyttämään kone automaattisesti tällaisissa tapauksissa. Kun kone tai sen toiminta on pysähtynyt tilapäisesti tai se on pysähtynyt, poista pysäytyksen syyt seuraavien vaiheiden mukaisesti.

1. Käynnistä kone uudelleen sammuttamalla se ja kytkemällä se sitten uudelleen päälle.
2. Lataa akut tai vaihda ne ladattuihin akkuihin.
3. Anna koneen ja akkujen jäähtyä.

Jos suojausjärjestelmän nollaaminen ei korjaa tilannetta, ota yhteys paikalliseen Makita-huoltoon.

HUOMAUTUS: Jos kone pysähtyy jostakin muusta syystä kuin yllä ilmoitetuista, katso vianimääritysohjeita.

Akun jäljellä olevan varaustason ilmaisin

► **Kuva18:** 1. Akun ilmaisin

Kun akkukapasiteetti käy vähiin, vastaavan akun puoleinen merkkivalo alkaa vilkkua. Jos käyttöä jatketaan, kone pysähtyy ja akun merkkivalo syttyy. Lataa tässä tilanteessa akkupaketti.

Akun jäljellä olevan varaustason ilmaisin

Vain akkupaketeille ilmaisimella

Painamalla tarkistuspainiketta saat näkyviin akun jäljellä olevan varausten. Merkkivalot palavat muutaman sekunnin ajan.

► **Kuva19:** 1. Merkkivalot 2. Tarkistuspainike

Merkkivalot			Akussa jäljellä olevan varaustason
Palaa	Pois päältä	Vilkkuu	
			75% - 100%
			50% - 75%
			25% - 50%
			0% - 25%
			Lataa akku.
			Akussa on saattanut olla toimintahäiriö.

HUOMAA: Ilmoitettu varaustaso voi erota hieman todellisesta varaustasosta sen mukaan, millaisissa oloissa ja missä lämpötilassa laitetta käytetään.

HUOMAA: Ensimmäinen (vasemmanpuoleisin) merkkivalo vilkkuu, kun akun suojausjärjestelmä on toiminnassa.

Päävirtakytkin

VAROITUS: Kytke aina päävirtakytkin pois päältä, kun työkalua ei käytetä.

► **Kuva20:** 1. Päävirran merkkivalo 2. Päävirtakytkin

Kun haluat kytkeä laitteen päälle, paina päävirtakytkintä. Päävirran merkkivalo alkaa palaa vihreänä. Kun haluat sammuttaa laitteen, paina päävirtakytkintä uudelleen.

HUOMAA: Jos päävirran merkkivalo palaa punaisena tai vilkkuu punaisena tai vihreänä, lue koneen/akun suojausjärjestelmää koskevat ohjeet.

HUOMAA: Tämä kone sisältää automaattisen sammutustoiminnon. Tahattoman käynnistykseen välttämiseksi päävirtakytkin sammuu automaattisesti, kun kytkinvipu ja ajovipu (jos se on asennettuna) on ollut käyttämättä määrätyn aikaa päävirtakytkimen ollessa kytkettynä päälle.

Kytkimen käyttäminen

VAROITUS: Tarkista aina ennen akkupaketin asentamista paikalleen, että kytkinvipu kytkeytyy oikein ja palaa alkuperäiseen asentoonsa, kun se vapautetaan. Jos konetta käytetään, kun kytkin ei toimi moitteettomasti, seurauksena voi olla hallinnan menetyks ja vakava henkilövahinko.

HUOMAA: Ruohonleikkuri ei käynnisty painamatta katkaisinpainiketta, vaikka kytkinvipua vedetään.

HUOMAA: Ruohonleikkuri ei ehkä käynnisty ylikuormituksen vuoksi, kun yrität leikata pitkää tai tiheää ruohoa liiallisesti. Lisää tässä tapauksessa leikkuukorkeutta.

Tämä ruohonleikkuri on varustettu lukitusavaimella ja kahvassa olevalla kytkimellä. Jos lukitusavaimen tai kytkimen toiminnassa ilmenee jotakin epätavallista, lopeta käyttö heti ja pyydä valtuutettua Makita-huoltoliikettä tarkastamaan ne.

DLM481/DLM539

1. Asenna akkupaketit paikalleen. Aseta lukitusavain paikalleen ja sulje sitten akun suojus.
2. Paina päävirtakytkintä.
3. Vedä kytkinvipua itseäsi kohti pitämällä samalla kytkinpainiketta painettuna. Vapauta kytkinpainike heti, kun moottori alkaa pyöriä.
► **Kuva21:** 1. Kytkinpainike 2. Kytkinvipu
4. Kun pidät kytkinvipua painettuna ja painat ajovipua eteenpäin, takapyörät pyörivät.
► **Kuva22:** 1. Ajovipu

HUOMAA: Takapyörät pyörivät, kun painat ajovipua eteenpäin ja pidät sitä vetämättä kytkinvipua.

5. Pysäytä kone vapauttamalla ajovipu ja kytkinvipu.

DLM480/DLM538

1. Asenna akkupaketit paikalleen. Aseta lukitusavain paikalleen ja sulje sitten akun suojus.
2. Paina päävirtakytkintä.
3. Vedä kytkinvipua itseäsi kohti pitämällä samalla kytkinpainiketta painettuna. Vapauta kytkinpainike heti, kun moottori alkaa pyöriä.
► **Kuva23:** 1. Kytkinpainike 2. Kytkinvipu
4. Sammuta moottori vapauttamalla kytkinvipu.

Leikkuusyvyuden säätäminen

VAROITUS: Älä koskaan työnnä jalkojasi tai käsiäsi ruohonleikkurin rungon alle leikkuukorkeuden säädön aikana.

VAROITUS: Varmista aina ennen käyttöä, että vipu sopii uraan.

Leikkuukorkeuden säätöalue on 20 mm – 100 mm.

Poista lukitusavain, vedä sitten leikkuukorkeuden säätövipua ulospäin ruohonleikkurin rungosta ja säädä leikkuukorkeus haluamaksesi.

- **Kuva24:** 1. Leikkuukorkeuden säätövipu

Seuraavassa taulukossa on ilmoitettu ruohonleikkurin rungossa olevaa numeroa vastaava leikkuukorkeus.

Numero	Leikkuukorkeus
1	20 mm
2	26 mm
3	32 mm
4	40 mm
5	49 mm
6	59 mm
7	70 mm
8	81 mm
9	92 mm
10	100 mm

Pidä alakahvasta kiinni toisella kädellä ja liikuta sitten leikkuukorkeuden säätövipua toisella kädellä.

- **Kuva25:** 1. Leikkuukorkeuden säätövipu 2. Kahvan alaosa

HUOMAA: Leikkuukorkeuden arvoja tulee käyttää vain ohjeellisina. Riippuen nurmikon tai maanpinnan kunnosta, todellinen nurmikon korkeus saattaa olla hieman erilainen kuin asetettu korkeus.

HUOMAA: Kokeile leikkuukorkeutta ensin nurmikon syrjäisemmässä osassa.

Ruohomäärän ilmaisın

Ruohomäärän ilmaisın näyttää leikatun ruohon määrän. Kun ruohosäiliö ei ole täynnä, ilmaisın liikkuu terien pyöriessä.

- **Kuva26:** 1. Ruohomäärän ilmaisın

Kun ruohosäiliö on lähes täynnä, ilmaisın ei liiku terien pyöriessä. Lopeta tällöin leikkaaminen heti ja tyhjennä säiliö.

- **Kuva27:** 1. Ruohomäärän ilmaisın

HUOMAA: Tämä ilmaisın on vain karkea ohje. Säiliön sisäisen tilanteen mukaan ilmaisın ei ehkä toimi oikein kaikissa tilanteissa.

Kahvakorkeuden säätäminen

Kahvan korkeutta voidaan säätää kahdella tasolla.

1. Pidä kiinni kahvan alaosasta ja kierrä sitten nuppia 90° vetämällä samalla kahvan alaosan nuppia lukitustapin vapauttamiseksi. Tee sama toisella puolella.
► **Kuva28:** 1. Kahvan alaosa 2. Nuppi

HUOMAA: Kun kahvaa tuetaan, lukitusnastan irrottaminen nuppia vedettäessä on helpompaa.

2. Säädä kahvakorkeus ja kierrä sitten kummankin puolen nuppia 90°. Varmista, että nupit ovat lujasti kiinni.

- **Kuva29:** 1. Nuppi

Ajoneopeuden säätäminen

DLM481/DLM539

► **Kuva30:** 1. Nopeusvipu

Ajoneopeutta voidaan säätää nopeusvivulla. Kun haluat pienentää nopeutta, vedä vipua itseäsi kohti. Kun haluat lisätä nopeutta, paina vipua eteenpäin.

Levitysosan käyttäminen

Levitysosaa käyttämällä leikatun ruohon voi palauttaa maahan keräämättä sitä ruohosäiliöön. Kun käytät levitysosaa koneessa, muista irrottaa ruohosäiliö.

HUOMAUTUS: Kun käytät konetta levitysosan kanssa, varmista, että ruohon pituus leikkuaan jälkeen on vähintään 30 mm ja että leikkauspituus on enintään 15 mm.

► **Kuva31:** (1) Vähintään 30 (2) Enintään 15

Takapoistimen käyttäminen

Takapoistimella leikatun ruohon voi poistaa maahan koneen takapuolelta keräämättä sitä ruohosäiliöön. Kun käytät takapoistinta koneessa, muista irrottaa ruohosäiliö ja levitysosa ja sulje takakansi.

Sähköinen toiminta

Laitte on varustettu sähköisillä toiminnoilla helpokäyttöisyttä ajatellen.

- Pehmeä ajokäynnistys
Pehmeän käynnistykseen toiminto minimoi käynnistysiskun käynnistämällä laitteen tasaisesti.
- Sähköjarru
Tämä kone on varustettu sähköjarrulla. Jos koneen ruohonleikkurit terät toistuvasti pysähtyvät hitaasti, kun kytkinvipu vapautetaan, huollata kone valtuutetussa Makita-huoltoliikkeessä.

TYÖSKENTELY

Ruohonleikkuu

VAROITUS: Poista kepit ja kivet leikkausalueelta ennen leikkuaan aloittamista. Poista myös rikkaruohot alueelta ennen ruohon leikkaamista.

VAROITUS: Käytä sivusuojilla varustettuja suojalaseja aina, kun käytät ruohonleikkuria.

HUOMIO: Jos leikattu ruoho tai vierasesineet aiheuttavat tukoksen ruohonleikkurin rungossa, poista lukitusavain ja irrota akkupaketti ennen kuin alat poistaa ruohoa tai vierasesineitä. Käytä käsineitä poiston aikana.

HUOMAUTUS: Käytä tätä konetta vain ruohon leikkaamiseen. Älä leikkaa rikkakasveja tällä koneella.

► **Kuva32**

Pidä kahvasta tukevasti molemmin käsin kiinni leikkuaan aikana. Suositeltu leikkuaanopeus on noin 7–14 metriä 10 sekunnissa.

► **Kuva33**

HUOMAA: Jos pitkän tai tiheän ruohon leikkaamisen jälkeen ruohon pituus osoittautuu epätasaiseksi tai jälki huonoksi tai moottori hidastuu leikkaamisen aikana, muuta leikkuaanopeus pienemmäksi kuin tässä oppaassa suositellaan tai suurena leikkuaanopeutta.

Etupyörien keskiviivat toimivat leikkuaanopeuden oppaana. Käytä keskiviivoja apuna arvioinnissa ja leikkaa kaista kerrallaan. Limitä uusi kaista noin kolmasosasta puoleen väliin edellisen kaistan kanssa, niin leikatusta nurmikosta tulee tasainen.

► **Kuva34:** 1. Leikkuaanopeus 2. Limitätyt alueet 3. Keskiviiva

Vaihda leikkuaanopeutta joka kaistalle, jotta leikkuaanopeus ei ole vain yksisuuntainen.

► **Kuva35**

Tarkista aika ajojen ruohosäiliöstä leikattu ruohomäärä. Tyhjennä ruoho, ennen kuin se on täynnä. Varmista ennen tarkastusta, että ruohonleikkuri on pysäytetty ja lukitusavain ja akkupaketti on irrotettu.

HUOMAUTUS: Jos ruohonleikkuria käytetään täysinlaisella ruohosäiliöllä, terä ei pääse pyörimään esteettä, mikä rasittaa moottoria ja voi vaurioittaa sitä.

Pitkän ruohon leikkaaminen

Älä yritä leikata kaikkea pitkää ruohoa yhdellä kertaa. Leikkaa sen sijaan ruoho vaiheittain. Pidä leikkauskertojen välillä yhden tai kahden päivän tauko, kunnes ruoho on tasainen lyhyttä.

► **Kuva36**

HUOMAA: Jos pitkä ruoho leikataan kerralla lyhyeksi, ruoho saattaa kuolla. Ruoho voi myös tukkia ruohonleikkurin rungon.

HUOMAA: Jos nurmikko on pituudeltaan epätasainen tai loppupuolos heikko leikkaamisen jälkeen tai jos moottori hidastuu leikkaamisen aikana, pienennä leikkuaanopeutta tai suurena leikkuaanopeutta.

Ruohosäiliön tyhjentäminen

VAROITUS: Onnettomuusriskin pienentämiseksi ruohosäiliön kuntoa tulee valvoa jatkuvasti ja vaurioitunut tai heikentynyt säiliö on tarvittaessa vaihdettava. Vaihda ruohosäiliö tarvittaessa.

1. Vapauta kytkinvipu ja ajovipu (DLM481/DLM539) tai vapauta kytkinvipu (DLM480/DLM538).

2. Irrota lukitusavain.

3. Avaa takakansi, tartu ruohosäiliön kahvaan ja vedä se irti kahvasta.

► **Kuva37:** 1. Takakansi 2. Kahva 3. Ruohosäiliö

4. Tyhjennä ruohosäiliö.

KUNNOSSAPITO

VAROITUS: Varmista aina ennen ruohonleikkurin varastointia tai kantamista tai sen tarkastus- tai huoltotoimien aloittamista, että lukitusavain ja akkupaketti on irrotettu ruohonleikkurista.

VAROITUS: Poista aina lukitusavain, kun leikkuri ei ole käytössä. Säilytä lukitusavainta turvallisessa paikassa lasten ulottumattomissa.

VAROITUS: Käytä käsineitä tarkastuksen ja huollon aikana.

VAROITUS: Käytä sivusuojilla varustettuja suojalaseja aina, kun käytät teet tarkastus- tai huoltotoimia.

HUOMAUTUS: Älä koskaan käytä bensiiniä, ohenteita, alkoholia tai tms. aineita. Muutoin pinta voi halkeilla tai sen värit ja muoto voivat muuttua. Muutoin laitteeseen voi tulla värjäytyimiä, muodon vääristymiä tai halkeamia.

Tuotteen TURVALLISUUDEN ja LUOTETTAVUUDEN takaamiseksi korjaukset, muut huoltotyöt ja säädöt on teetettävä Makitan valtuutetussa huoltopisteessä Makitan varaosia käyttäen.

Huolto

1. Poista lukitusavain ja irrota akkupaketit ja sulje sitten akun suojakansi.
2. Käännä leikkuri kyljelleen. Puhdista kotelon pohjaan kerääntynyt ruohosilppu.
3. Kaada vettä laitteen pohjaa eli terän kiinnityskohdasta kohti.

HUOMAUTUS: Älä pese laitetta korkeapaineisella vesisuihkulla.

4. Tarkista kaikkien mutterien, pulttien, ruuvien yms. kireys.
5. Tarkista, etteivät liikkuvat osat ole vaurioiden, murtumien tai kulumien varalta. Vaurioituneet tai puuttuvat osat tulee korjata tai vaihtaa.
6. Varastoi ruohonleikkuri turvalliseen paikkaan lasten ulottumattomiin.

DLM481/DLM539

HUOMAUTUS: Älä kaada vettä kuvassa näkyvälle alueelle. Veden kaataminen moottoriyksikköön voi johtaa koneen toimintahäiriöön.

- **Kuva38:** 1. Alue, jolle ei saa kaataa vettä

DLM481/DLM539

HUOMAUTUS: Älä kaada koneeseen vettä, kun kone on kuvan mukaisesti pystyasennossa. Jos kone on pystyasennossa, vesi voi valua moottoriin ja aiheuttaa koneen toimintahäiriön.

- **Kuva39**

Ruohonleikkurin kantaminen

HUOMIO: Varmista ennen ruohonleikkurin kantamista, että akkupaketti ja lukitusavain on irrotettu.

Ruohonleikkuria tulee kantaa niin, että toinen henkilö pitää kiinni takakahvasta ja toinen kuvan mukaisesti koneen etuosan alemmasta kiinnipitokohdasta.

- **Kuva40:** 1. Alempi kiinnipitokohta 2. Takakahva

Säilytys

HUOMIO: Kun asetat koneen pystyasentoon, alustan on oltava tasainen ja tukeva. Jos kone asetetaan epävakaalle pinnalle, se saattaa kaatua ja aiheuttaa vammoja.

Säilytä ruohonleikkuria sisätiloissa viileässä, kuivassa ja lukituspaikassa. Älä säilytä ruohonleikkuria ja laturia paikassa, jossa lämpötila voi nousta 40 °C:een tai sitä korkeammaksi.

1. Irrota akkupaketti ja lukitusavain.
2. Kierrä nuppia 90° vetämällä samalla kahvan alaosan nuppia lukitustapin vapauttamiseksi. Tee sama toisella puolella ja taita sitten kahva.

- **Kuva41:** 1. Nuppi

HUOMAA: Kun kahvaa tuetaan, lukitusnastan irrottaminen nuppia vedettäessä on helpompaa.

3. Kierrä kummankin puolen nuppia 90°. Varmista, että nupit ovat lujasti kiinni.

DLM481/DLM539

- **Kuva42:** 1. Nuppi

DLM480/DLM538

- **Kuva43:** 1. Nuppi

HUOMAUTUS: Varo, etteivät johdot jää väliin sulkieksasi kahvaa.

4. Löysennä kummankin puolen siipimutterit ja taita sitten kahvan yläosa kuvan mukaisesti.

- **Kuva44:** 1. Siipimutteri 2. Kahvan yläosa

5. Aseta kone pystyasentoon.

HUOMAA: Kun asetat ruohonleikkurin pystyasentoon, älä pidä kiinni vain kahvasta vaan sekä ruohonleikkurin rungosta että kahvasta.

6. Säilytä ruohosäiliötä kuvan mukaisesti.

- **Kuva45:** 1. Ruohosäiliö

- **Kuva46:** 1. Ruohosäiliö

Ruohonleikkuuterän irrotus ja asentaminen

VAROITUS: Terä pyörii vielä muutaman sekunnin ajan kytkimen vapauttamisen jälkeen. Älä aloita mitään toimenpidettä, ennen kuin terä on täysin pysähtynyt.

VAROITUS: Irrota lukitusavain ja akku aina ennen terän irrottamista ja asentamista. Jos lukitusavainta ja akkupakettia ei irroteta, seurauksena voi olla vakavia vammoja.

VAROITUS: Käytä aina suojakäsineitä, kun käsittelet terää.

HUOMAUTUS: Kun irrotat tai asennat ruohonleikkurin terää, käytä koneen pakkauksessa olevaa hylsyavainta.

Ruohonleikkurin terän irrottaminen

1. Käännä ruohonleikkuri kyljelleen siten, että leikkuukorkeuden säätövipu tulee alapuolelle.
 2. Voit lukita terän työntämällä tapin niin syvälle ruohonleikkurin rungossa olevaan reikään kuin se menee.
 3. Kierrä pulttia vastapäivään koon 17 hylsyavaimella.
- **Kuva47:** 1. Ruohonleikkurin terä 2. Tappi 3. Hylsyavain

4. Irrota pultti ja sitten ruohonleikkurin terä.
- **Kuva48:** 1. Terän tuki 2. Ruohonleikkurin terä 3. Pultti 4. Uloke

HUOMAUTUS: Kun asennat ruohonleikkurin terän, varmista, että terän tuen ulokkeet asettuvat ruohonleikkurin terän reikiin.

Ruohonleikkurin terän kiinnittäminen

VAROITUS: Asenna ruohonleikkurin terä huolellisesti. Siinä on ylä-/alapuoli.

VAROITUS: Kiinnitä sitten terä paikalleen kiristämällä pultti tiukasti myötäpäivään kiertäen.

VAROITUS: Varmista, että ruohonleikkurin terä ja kaikki kiinnitysosat on asennettu oikein ja kunnolla kiristetty.

VAROITUS: Kun vaihdat teriä, noudata aina tämän oppaan ohjeita.

HUOMAUTUS: Kun kiristät pulttia asentaessasi ruohonleikkurin terää, käytä kiristysmomenttia 19–29 N•m (arvot ovat vain viitteellisiä).

HUOMAUTUS: Kun ruohonleikkurin terät on asennettu, poista tappi ruohonleikkurin rungosta.

Ruohonleikkurin terät asennetaan päinvastaisessa järjestyksessä kuin irrotusohjeissa.

VIANMÄÄRITYS

Tarkista kone ensin itse, ennen kuin viet sen korjattavaksi. Jos havaitset ongelman, johon ei löydy ratkaisua ohjeista, älä yritä purkaa konetta. Vie se sen sijaan valtuutettuun Makita-huoltoon. Käytä korjaamiseen aina alkuperäisiä Makita-varaosia.

Epänormaali tila	Todennäköinen syy (toimintahäiriö)	Korjaus
Ruohonleikkuri ei käynnisty.	Kahta akkupakettia ei ole asennettu.	Asenna kaksi ladattua akkua paikalleen.
	Akkuongelma (alijännite)	Lataa akkupaketti. Jos lataaminen ei toimi tehokkaasti, vaihda akkupakettia.
	Lukitusavain ei ole paikallaan.	Laita lukitusavain paikalleen.
Moottori pysähtyy lyhyen käytön jälkeen.	Akun varaustila on alhainen.	Lataa akkupaketti. Jos lataaminen ei toimi tehokkaasti, vaihda akkupakettia.
	Leikkuukorkeus on liian alhainen.	Nosta leikkuukorkeutta.
	Ruohonleikkuriin on kertynyt leikattua ruohoa.	Poista kertynyt leikattu ruoho ruohonleikkurista.
Moottori ei saavuta suurinta kierros lukua.	Akkupaketti on asennettu väärin.	Asenna akkupaketti tämän käyttöohjeen ohjeiden mukaan.
	Akun teho laskee.	Lataa akkupaketti. Jos lataaminen ei toimi tehokkaasti, vaihda akkupakettia.
	Vetojärjestelmä ei toimi oikein.	Pyydä valtuutettua huoltoliikettäsi korjaamaan laite.
Ruohonleikkurin terä ei pyöri: ⇒ pysäytä ruohonleikkuri välittömästi!	Vieras esine, esimerkiksi oksa, on juuttunut lähelle terää.	Poista vieras esine.
	Vetojärjestelmä ei toimi oikein.	Pyydä valtuutettua huoltoliikettäsi korjaamaan laite.
Epänormaali tärinä: ⇒ pysäytä ruohonleikkuri välittömästi!	Terä on epätasapainossa, liiallisesti tai epätasaisesti kulunut.	Vaihda terä.

LISÄVARUSTEET

⚠️HUOMIO: Seuraavia lisävarusteita tai -laitteita suositellaan käytettäväksi tässä ohjeessa kuvattun Makita-koneen kanssa. Muiden lisävarusteiden tai -laitteiden käyttö voi aiheuttaa henkilövahinkoja. Käytä lisävarusteita ja -laitteita vain niiden käyttötarcoituksen mukaisesti.

Jos tarvitset apua tai yksityiskohtaisempia tietoja seuraavista lisävarusteista, ota yhteys paikalliseen Makitan huoltoon.

- Ruohonleikkurin terä
- Aito Makita-akku ja -laturi

HUOMAA: Jotkin luettelossa mainitut varusteet voivat sisältyä laitetoimitukseen vakiovarusteina. Ne voivat vaihdella maittain.



SPECIFIKATIONER

Model:	DLM480	DLM481	DLM538	DLM539
Klippebredde (diameter af bladet)	480 mm		534 mm	
Omdrejninger uden belastning	3.100 min ⁻¹		3.000 min ⁻¹	
Artikelnnummer på reserveblad til plæneklipper	Lige plæneklipperblad	191V97-3		191V96-5 / 191W87-2
	Komposteringsblad	191Y64-6		191Y65-4
Mål (L x B x H)	under anvendelse	L: 1.690 mm til 1.740 mm B: 530 mm H: 930 mm til 1.060 mm		L: 1.810 mm til 1.870 mm B: 580 mm H: 920 mm til 1.040 mm
	under opbevaring (uden græskurv)	580 mm x 530 mm x 870 mm		610 mm x 580 mm x 925 mm
Kørehastighed	-	2,5 - 5,0 km/h	-	2,5 - 5,0 km/h
Mærkespænding	36 V DC			
Nettovægt	24,5 - 26,8 kg	27,0 - 29,3 kg	25,5 - 28,0 kg	27,9 - 30,4 kg
Beskyttelsesgrad	IPX4			

- På grund af vores kontinuerlige forsknings- og udviklingsprogrammer kan hosstående specifikationer blive ændret uden varsel.
- Specifikationer kan variere fra land til land.
- Vægten kan være anderledes afhængigt af tilbehøret, inklusive akkuen. Den letteste og tungeste kombination i henhold til EPTA-procedure 01/2014 er vist i tabellen.

Anvendelig akku og oplader

Akku	BL1815N / BL1820B / BL1830B / BL1840B / BL1850B / BL1860B
Oplader	DC18RC / DC18RD / DC18RE / DC18SD / DC18SE / DC18SF / DC18SH / DC18WC





- Nogle af de akkuer og opladere, der er angivet ovenfor, er muligvis ikke tilgængelige, afhængigt af hvilket område du bor i.






⚠ ADVARSEL: Brug kun de akkuer og opladere, der er angivet ovenfor. Brug af andre akkuer og opladere kan medføre personskade og/eller brand.

⚠ ADVARSEL: Brug ikke en ledningstilsluttet strømforsyning som fx en batteriadapter eller bærbar strømforsyningsenhed med denne maskine. Ledningen til en sådan strømforsyning kan muligvis hindre brugen og forårsage personskade.

Symboler

Følgende viser de symboler, der muligvis anvendes til udstyret. Sørg for, at du forstår deres betydning før brugen.

	Udvis særlig forsigtighed og opmærksomhed.
	Læs betjeningsvejledningen.
	Fare; pas på kastede genstande.
	Afstanden mellem maskinen og omkringstående skal være mindst 15 m.

	Undlad at anbringe hænder og fødder i nærheden af plæneklipperbladet under plæneklipperen. Plæneklipperbladene fortsætter med at rotere, efter at motoren er slukket.
	Fjern låsenøglen, inden De inspicerer, justerer, rengør, servicerer og forlader plæneklipperen eller stiller den til opbevaring.
	Advarsel; Afbryd batteriet inden vedligeholdelse.
	Elektrisk risiko. Kontakt med vand kan medføre elektrisk stød.
	Hæld ikke vand på.



Kun for lande inden for EU
På grund af tilstedeværelsen af farlige komponenter i udstyret kan affald af elektrisk og elektronisk udstyr, akkumulatører og batterier have en negativ indvirkning på miljøet og folkesundheden.
Bortskaf ikke elektriske og elektroniske apparater eller batterier sammen med husholdningsaffald!

I overensstemmelse med EF-direktiv om affaldshåndtering af elektrisk og elektronisk udstyr og om akkumulatører og batterier og affaldsakkumulatører og -batterier, og i overensstemmelse med national lovgivning, skal brugt elektrisk udstyr, batterier og akkumulatører opbevares separat og leveres til et separat indsamlingssted for kommunalt affald, der er etableret i henhold til bestemmelserne om miljøbeskyttelse. Dette er angivet ved symbolet på den krydsede skrædespand, der er placeret på udstyret.



Garanteret lydeffektniveau i henhold til EU-direktivet om maskiner til udendørs brug.



Lydeffektniveau i henhold til Australiens NSW forordning om støjemission

Tilsigtet anvendelse

Maskinen er beregnet til at slå græs.

Støj

Det typiske A-vægtede støjniveau bestemt i overensstemmelse med EN IEC 62841-4-3:

Model	Målt lydeffektniveau (L_{WA}): (dB(A))	Garanteret lydeffektniveau (L_{WA}): (dB(A))
DLM480	92	95
DLM481	92	95
DLM538	95	98
DLM539	95	98

Model	Lydtrykniveau (L_{pA}): (dB (A))	Usikkerhed for lydtrykniveau (K): (dB(A))
DLM480	84	3
DLM481	84	3
DLM538	85	3
DLM539	85	3

BEMÆRK: De(n) angivne støjemissionsværdi(er) er målt i overensstemmelse med en standardtestmetode og kan anvendes til at sammenligne en maskine med en anden.

BEMÆRK: De(n) angivne støjemissionsværdi(er) kan også anvendes i en præliminær eksponeringsvurdering.

⚠ ADVARSEL: Bær høreværn.

⚠ ADVARSEL: Støjemissionen under den faktiske anvendelse af maskinen kan være forskellig fra de(n) angivne værdi(er), afhængigt af den måde hvorpå maskinen anvendes, især den type arbejdsemne der behandles.

⚠ ADVARSEL: Sørg for at identificere de sikkerhedsforskrifter til beskyttelse af operatøren, som er baseret på en vurdering af eksponering under de faktiske brugsforhold (med hensyntagen til alle dele i brugscyklussen, f.eks. de gange, hvor maskinen er slukket, og når den kører i tomgang i tilgift til afbrydertiden).

Vibration

Vibrationens totalværdi (tre-aksial vektorsum) bestemt i overensstemmelse med EN IEC 62841-4-3:

Model DLM480

Vibrationsemission (a_h): 2,5 m/s² eller mindre
Usikkerhed (K): 1,5 m/s²

Model DLM481

Vibrationsemission (a_h): 2,5 m/s² eller mindre
Usikkerhed (K): 1,5 m/s²

Model DLM538

Vibrationsemission (a_h): 2,5 m/s² eller mindre
Usikkerhed (K): 1,5 m/s²

Model DLM539

Vibrationsemission (a_h): 2,5 m/s² eller mindre
Usikkerhed (K): 1,5 m/s²

BEMÆRK: De(n) angivne totalværdi(er) for vibration er målt i overensstemmelse med en standardtestmetode og kan anvendes til at sammenligne en maskine med en anden.

BEMÆRK: De(n) angivne totalværdi(er) for vibration kan også anvendes i en præliminær eksponeringsvurdering.

⚠ ADVARSEL: Vibrationsemissionen under den faktiske anvendelse af maskinen kan være forskellig fra de(n) angivne værdi(er), afhængigt af den måde hvorpå maskinen anvendes, især den type arbejdsemne der behandles.

⚠ ADVARSEL: Sørg for at identificere de sikkerhedsforskrifter til beskyttelse af operatøren, som er baseret på en vurdering af eksponering under de faktiske brugsforhold (med hensyntagen til alle dele i brugscyklussen, f.eks. de gange, hvor maskinen er slukket, og når den kører i tomgang i tilgift til afbrydertiden).

Overensstemmelseserklæringer

Kun for lande i Europa

Overensstemmelseserklæringerne er inkluderet i Bilag A i denne brugsanvisning.

SIKKERHEDSAD- VARSLER

Almindelige sikkerhedsregler for el-værktøj

ADVARSEL Læs alle sikkerhedsadvarsler, instruktioner, illustrationer og specifikationer, der følger med denne maskine. Hvis du ikke følger alle nedenstående instruktioner, kan det medføre elektrisk stød, brand og/eller alvorlig personskade.

Gem alle advarsler og instruktioner til fremtidig reference.

Ordet "el-værktøj" i advarslerne henviser til det netforsynde (netledning) el-værktøj eller batteriforsynde (akku) el-værktøj.

Sikkerhedsadvarsler for akku-plæneklipper

1. Undlad at bruge plæneklipperen under dårlige vejrforhold, især når der er risiko for lynnedslag. Dette mindsker risikoen for at blive ramt af lynnedslag.
2. Undersøg grundigt området for dyreliv, hvor plæneklipperen skal bruges. Dyrelivet kan blive skadet af plæneklipperen under anvendelse.
3. Undersøg det område grundigt, hvor plæneklipperen skal bruges, og fjern alle sten, pinde, ledninger, knogler og andre fremmedlegemer. Udslyngede genstande kan forårsage personskade.
4. Før du bruger plæneklipperen, skal du altid inspicere visuelt for at sikre, at bladet og bladmonteringen ikke er slidt eller beskadiget. Slidte eller beskadigede dele øger risikoen for personskade.
5. Kontroller ofte græskurven for slitage eller forringelse. En slidt eller beskadiget græskurv kan øge risikoen for personskade.
6. Hold afskærmninger på plads. Afskærmninger skal være i funktionsdygtig stand og være korrekt monteret. En afskærmning, der er løs, beskadiget eller ikke fungerer korrekt, kan resultere i personskade.
7. Hold alle køleluftåbninger fri for snavs. Blokerede luftåbninger og snavs kan resultere i overophedning eller risiko for brand.
8. Når du anvender plæneklipperen, skal du altid bære skridsikret og beskyttende fodtøj. Undlad at betjene plæneklipperen, når du er barfodet eller iført åbne sandaler. Dette reducerer risikoen for skade på fødderne ved kontakt med det bevægelige blad.
9. Når du betjener plæneklipperen, skal du altid bære lange bukser. Eksponeret hud øger sandsynligheden for skade som følge af udslyngede genstande.
10. Undlad at betjene plæneklipperen i vådt græs. Gå, løb aldrig. Dette reducerer risikoen for at glide og falde, hvilket kan resultere i personskade.

11. Undlad at betjene plæneklipperen på for stejle skråninger. Dette reducerer risikoen for, at du mister kontrollen, glider og falder, hvilket kan resultere i personskade.
12. Når du arbejder på skråninger, skal du altid være sikker på dit fodfæste, altid arbejde på tværs af skråninger, aldrig op eller ned og udvise ekstrem forsigtighed, når du skifter retning. Dette reducerer risikoen for, at du mister kontrollen, glider og falder, hvilket kan resultere i personskade.
13. Vær yderst forsigtig, når du bakker eller trækker plæneklipperen mod dig. Vær altid opmærksom på dine omgivelser. Dette reducerer risikoen for at snuble under betjening.
14. Undlad at røre ved blade og andre farlige bevægelige dele, mens de stadig er i bevægelse. Dette reducerer risikoen for skader fra bevægelige dele.
15. Når du fjerner fastklemt materiale eller rengør plæneklipperen, skal du sørge for, at alle afbrydere er slukket, og at akkuen er afbrudt. Uventet betjening af plæneklipperen kan resultere i alvorlig personskade.

Yderligere sikkerhedsadvarsler

Oplæring

1. Læs instruktionerne omhyggeligt. Vær bekendt med kontrollerne og den korrekte brug af plæneklipperen.
2. Lad aldrig børn eller personer, som ikke er bekendt med disse instruktioner, anvende plæneklipperen. Operatørens alder kan være begrænset af lokale bestemmelser.
3. Anvend aldrig plæneklipperen, hvis der er personer, især børn, eller kæledyr i nærheden.
4. Husk, at operatøren eller brugeren er ansvarlig for ulykker eller farlige situationer, som andre personer eller deres ejendom udsættes for.

Forberedelse

1. Sørg for, at der ikke er nogen personer i arbejdsområdet, inden arbejdet påbegyndes. Stop plæneklipperen, hvis der kommer nogen ind i området.
2. Sæt ikke låsenøglen i plæneklipperen, før den er klar til brug.
3. Se efter huller, hjulspor, buler, sten eller andre skjulte genstande. Ujævnt terræn kan forårsage et uheld, hvor du glider og falder. Højt græs kan skjule forhindringer.
4. Undlad at indsætte eller fjerne låsenøglen i regnvej.

Drift

1. Stop plæneklipperen og fjern låsenøglen, og sørg for, at alle bevægelige dele er stoppet helt
 - når du forlader plæneklipperen;
 - før du fjerner blokeringer eller renser udledningsskakten;
 - før du kontrollerer, rengør eller arbejder på plæneklipperen.
2. Hvis plæneklipperen rammer et fremmedlegeme, skal nedenstående trin følges:
 - Stop plæneklipperen, slip afbryderarmen, og vent, indtil bladet stopper helt.
 - Fjern låsenøglen og akkuen.

- Inspicér plæneklipperen grundigt for eventuelle skader.
 - Udskift bladet, hvis det er beskadiget på nogen måde. Reparér eventuelle skader, før du genstarter og fortsætter med at betjene plæneklipperen.
3. Hvis plæneklipperen begynder at vibrere unormalt, eller hvis du bemærker noget usædvanligt, skal du straks følge disse trin:
 - Stop plæneklipperen, slip afbryderarmen, og vent, indtil bladet stopper helt.
 - Fjern låsenøglen og akkuen.
 - Inspicér for skader, og udskift eller reparér eventuelle beskadigede dele.
 - Kontrollér for og tilspænd eventuelle løse dele.
 4. Anvend aldrig plæneklipperen med defekte dæksler eller skjolde eller uden sikkerhedsanordninger, f.eks. deflektorer og/eller græskurv, på plads.
 5. Anvend kun plæneklipperen i dagslys eller i god kunstig belysning.
 6. Vær påpasselig med at starte plæneklipperen i overensstemmelse med instruktionerne og med fødderne på god afstand af bladet (bladene).
 7. Pas på personskade på fødder og hænder fra plæneklipperbladene.
 8. Stop bladet (bladene), hvis plæneklipperen skal vippes i transportøjemed, når andre overflader end græs krydses, og når plæneklipperen transporteres til og fra det område, hvor den skal anvendes.
 9. Vip ikke plæneklipperen, når De tænder for motoren, undtagen hvis plæneklipperen skal vippes for at starte den. I dette tilfælde må den ikke vippes mere end absolut nødvendigt, og kun den del, der vender væk fra operatøren, må løftes. Sørg altid for, at begge hænder er i betjeningspositionen, før plæneklipperen sættes tilbage på jorden.
 10. Anbring ikke hænder og fødder i nærheden af eller under de roterende dele. Hold Dem til enhver tid på god afstand af udledningsåbningen.
 11. Hold altid godt fast i håndtaget.
 12. Tag ikke fat i de blotlagte skæreblade eller skærekanter, når plæneklipperen løftes eller holdes.
 13. Hold hænder og fødder på god afstand af de roterende blade. Forsigtig - bladene fortsætter med at dreje rundt, efter at der er slukket for plæneklipperen.
 14. Forsøg aldrig at foretage indstillinger af klippehøjden, mens plæneklipperen er i gang, hvis plæneklipperen har en funktion til justering af klippehøjde.
 15. Frigør afbryderarmen, og vent, til bladene er holdt op med at dreje rundt, inden der køres over indkørsler, stier, veje og grusbelagte områder. Fjern ligeledes låsenøglen, hvis De forlader plæneklipperen, rækker ud for at samle noget op eller for at få det af vejen eller af andre årsager, der kan distrahere Dem fra det, som De er i gang med.
 16. Start ikke plæneklipperen, mens De står foran udledningsåbningen.
 17. Ret aldrig udkastet materiale mod nogen. Undgå udkastning af materiale mod en mur eller forhindring. Materiale kan blive kastet tilbage mod operatøren. Stop bladet når der køres over grusoverflader.
 18. Undlad at trække plæneklipperen tilbage med mindre det er absolut nødvendigt. Når du er nødt til at bakke plæneklipperen tilbage fra et hegn eller lignende forhindring, skal du se ned og bagud, før og mens du bevæger dig baglæns.
 19. Sluk for motoren, og vent indtil bladet er helt standset, før du fjerner græsfangeren. Vær opmærksom på, at bladene bevæger sig, efter at der er slukket.
 20. Vær opmærksom på Deres fodfæste, hvis De bruger maskinen på mudret jord, en våd skråning eller et glat sted.
 21. Undlad at arbejde i et dårligt arbejdsmiljø, hvor øget brugertræthed kan forventes.
 22. Undlad at bruge maskinen i dårligt vejr, hvor sigtbarheden er nedsat. Ellers kan det medføre, at De falder, eller forkert betjening på grund af dårlig sigtbarhed.
 23. Undlad at nedsænke maskinen i en vandpyt.
 24. Hvis vådt græs eller snavs sætter sig fast i sugeåbningen (ventilationsvinduet) på grund af regn, skal De fjerne dem.
 25. Brug ikke maskinen i snevej.
 26. Hvis det afklippede græs er vådt, vil det sandsynligvis sætte sig fast inde i maskinen. Kontroller regelmæssigt maskinens tilstand, og fjern fastklæbet græs efter behov.
 27. Ved betjening af maskinen skal du være opmærksom på rør og ledninger.
- Vedligeholdelse og opbevaring**
1. Inspicér og vedligehold plæneklipperen regelmæssigt.
 2. Hold alle møtrikker, bolte og skruer stramme for at sikre, at udstyret er i sikker funktionsstand.
 3. Inspicér hyppigt græskurven for slitage eller forringelse. Kontrollér altid, at græskurven er tom inden opbevaring. Skift af sikkerhedsgrunde en udtjent græskurv ud med en fabriksny.
 4. Anvend kun originale blade fra fabrikanten, som er specificeret i denne brugsanvisning.
 5. Vær påpasselig, når plæneklipperen justeres, således at De ikke får fingrene i klemme mellem plæneklipperens roterende blade og de faste dele.
 6. Kontrollér med jævne mellemrum bladets befæstelsesbolt for den rigtige stramning.
 7. Lad altid plæneklipperen køle af, inden den stilles til opbevaring.
 8. Når De servicere bladene, skal De være opmærksom på, at bladene stadig kan bevæge sig, selv om der er slukket for maskinen.
 9. Fjern eller ændr aldrig sikkerhedsanordninger. Kontrollér regelmæssigt at de fungerer ordentligt. Gør aldrig noget som kan interferere med den tilsigtede funktion af en sikkerhedsanordning eller for at reducere beskyttelsen fra en sikkerhedsanordning.

10. Lad ikke maskinen ligge uovervåget udendørs i regnvejr.
11. Undlad at vaske maskinen med højtryksvand.
12. Når De vasker maskinen, skal De fjerne batteriet og låsenøglen og lukke akku-dækslet og hælde vand mod bunden af maskinen, hvor bladet er monteret.
13. Undgå direkte sollys og regn ved opbevaring af maskinen, og opbevar den på et sted, hvor det ikke bliver varmt eller fugtigt.
14. Udfør inspektion eller vedligeholdelse på et sted, hvor der er ly for regn.
15. Når maskinen har været i brug, skal De fjerne fastsiddende snavs og tørre maskinen helt, før den opbevares. Afhængigt af årstiden eller område er der risiko for fejlfunktion på grund af frost.

Elektrisk sikkerhed og batterisikkerhed

1. Undlad at åbne eller mishandle batterierne. Lækket elektrolyt er ætsende og kan medføre skader på øjnene eller huden. Den kan være giftig, hvis den indtages.
2. Undlad at oplade batteriet i regnvejr eller under våde forhold.
3. Oplad ikke batteriet uden døre.
4. Håndter ikke oplader, herunder opladerstik, og opladerterminaler med våde hænder.
5. Undlad at udskifte batteriet i regnvejr.
6. Undgå at gøre batteriets terminal våd med væsker som f.eks. vand eller at nedsænke batteriet. Undlad at lade batteriet ligge i regnvejr eller at oplade, bruge eller opbevare batteriet på et fugtigt eller vådt sted. Hvis terminalen bliver våd, eller der kommer væske ind i batteriet, kan batteriet blive kortsluttet, og der er risiko for overophedning, brand eller eksplosion.
7. Når De har fjernet batteriet fra maskinen eller opladeren, skal De sørge for at montere akku-dækslet på batteriet og opbevare det på et tørt sted.
8. Undlad at udskifte batteriet med våde hænder.
9. Undgå farlige miljøer. Brug ikke maskinen på fugtige eller våde steder, og udsæt den ikke for regn. Hvis der kommer vand ind i maskinen, øger det risikoen for elektrisk stød.
10. Hvis akkuen bliver våd, skal du tømme vandet ud og derefter tørre den med en tør klud. Tør akkuen helt på et tørt sted før brug.

GEM DENNE BRUGSANVISNING.

⚠ ADVARSEL: LAD IKKE bekvemmelighed eller kendskab til produktet (opnået gennem gentagen brug) forhindre, at sikkerhedsforskrifterne for produktet nøje overholdes. MISBRUG eller forsømmelse af at følge de i denne brugsvejledning givne sikkerhedsforskrifter kan føre til, at De kommer alvorligt til skade.

Vigtige sikkerhedsinstruktioner for akkuen

1. Læs alle instruktioner og advarselmærkater på (1) akku-opladeren, (2) akkuen og (3) produktet, som anvender akku.
2. Adskil eller ændr ikke akkuen. Det kan muligvis resultere i en brand, overdreven varme eller eksplosion.
3. Hold straks op med anvendelsen, hvis brugstiden er blevet stærkt afkortet. Fortsat anvendelse kan resultere i risiko for overophedning, forbrændinger og endog eksplosion.
4. Hvis De har fået elektrolytvæske i øjnene, skal De straks skylle den ud med rent vand og derefter øjeblikkeligt søge lægehjælp. I modsat fald kan De miste synet.
5. Vær påpasselig med ikke at komme til at kortslutte akkuen:
 - (1) Rør ikke ved terminalerne med noget ledende materiale.
 - (2) Undgå at opbevare akkuen i en beholder sammen med andre genstande af metal, for eksempel søm, mønter og lignende.
 - (3) Udsæt ikke akkuen for vand eller regn. Kortslutning af akkuen kan forårsage en kraftig øgning af strømmen, overophedning, mulige forbrændinger og endog værktøjstop.
6. Opbevar og brug ikke maskinen og akkuen på steder, hvor temperaturen muligvis kan nå eller overstige 50 °C.
7. Lad være med at brænde akkuen, selv ikke i tilfælde, hvor den har lidt alvorlig skade eller er fuldstændig udtjent. Akkuen kan eksplodere, hvis man forsøger at brænde den.
8. Slå ikke søm i, skær ikke i, knus, kast, tab ikke akkuen og stød ikke akkuen mod en hård genstand. Sådan adfærd kan muligvis resultere i en brand, overdreven varme eller eksplosion.
9. Anvend ikke en beskadiget akku.
10. De indbyggede litium-ion-batterier er underlagt lovkrav vedrørende farligt gods. Ved kommerciel transport, f.eks. af tredjeparts transportselskaber, skal særlige krav til forpakning og mærkning overholdes. Ved forberedelse af udstyret til forsendelse skal du kontakte en ekspert i farligt gods. Overhold også eventuel mere detaljeret national lovgivning. Tape eller tildæk åbne kontakter, og pak batteriet på en måde, så det ikke kan flytte sig rundt i pakningen.
11. Når akkuen bortskaftes, skal du fjerne den fra maskinen og bortskaft den på et sikkert sted. Følg de lokale love vedrørende bortskaftelsen af batterier.
12. Brug kun batterierne med de produkter, som Makita specificerer. Hvis batterierne installeres i ikke-kompatible produkter, kan det medføre brand, kraftig varme, eksplosion eller udsivning af elektrolyt.
13. Hvis maskinen ikke skal bruges i længere tid ad gangen, skal du fjerne batteriet fra maskinen.
14. Akkuen kan muligvis under og efter brug være varm, hvilket kan forårsage forbrændinger eller lavtemperaturforbrændinger. Vær påpasselig med håndtering af varme akkuer.

- Rør ikke terminalen på maskinen straks efter brug, da den bliver varm nok til at forårsage forbrændinger.
- Sørg for, at spåner, støv eller jord ikke sætter sig fast i akkuens terminaler, huller og riller. Det kan forårsage opvarmning, antændelse, sprængning og funktionsfejl i maskinen eller akkuen, hvilket kan medføre forbrændinger eller personskade.
- Medmindre maskinen understøtter brugen i nærheden af elektriske højspændingsledninger, skal du ikke anvende akkuen i nærheden af elektriske højspændingsledninger. Det kan muligvis medføre funktionsfejl på eller nedbrud af maskinen eller akkuen.
- Opbevar batteriet utilgængeligt for børn.

GEM DENNE BRUGSANVISNING.

⚠FORSIGTIG: Brug kun originale batterier fra Makita. Brug af uoriginale Makita-batterier, eller batterier som er blevet ændret, kan muligvis medføre brud på batteriet, hvilket kan forårsage brand, personskade eller beskadigelse. Det ugyldiggør også Makita-garantien for Makita-maskinen og opladeren.

Tips til opnåelse af maksimal akku-levetid

- Oplad akkuen, inden den er helt afladet. Stop altid værktøjet, og oplad akkuen, hvis De bemærker, at værktøjeffekten er aftagende.
- Genoplad aldrig en fuldt opladet akku. Overopladning vil afkorte akkuens levetid.
- Oplad akkuen ved stuetemperatur ved 10 °C - 40 °C. Lad altid en varm akku få tid til at køle af, inden den oplades.
- Når du ikke anvender akkuen, skal du fjerne den fra maskinen eller opladeren.
- Oplad akkuen, hvis De ikke skal bruge den i længere tid (mere end seks måneder).

SAMLING

⚠ADVARSEL: Vær altid sikker på, at låsenøglen og akkuen er fjernet, inden De udfører noget arbejde på plæneklipperen. Hvis De ikke fjerner låsenøglen og akkuen, kan det medføre alvorlig personskade forårsaget af utilsigtet start.

⚠ADVARSEL: Start aldrig plæneklipperen, medmindre den er fuldstændig samlet. Anvendelse af maskinen i kun delvist samlet tilstand kan medføre alvorlig personskade forårsaget af utilsigtet start.

Montering af håndtaget

BEMÆRKNING: Når du monterer håndtagene, skal du sørge for ikke at klemme ledningen mellem håndtagene. Hvis ledningen er beskadiget, fungerer plæneklipperkontakten muligvis ikke.

- Juster hullet i det nederste håndtag med hullet i det øverste håndtag, indsæt derefter boltens udefra, og tilspænd derefter fingermøtrikken indefra. Udfør den samme procedure på den anden side.

Til DLM481/DLM539

- Fig.1: 1. Bolt 2. Fingermøtrik 3. Nederste håndtag
4. Øverste håndtag

Til DLM480/DLM538

- Fig.2: 1. Bolt 2. Fingermøtrik 3. Nederste håndtag
4. Øverste håndtag

- Drej knappen 90°, mens du trykker på knappen på det nederste håndtag for at frigøre låsestiften. Udfør den samme procedure på den anden side. Løft håndtaget, og drej derefter knappen på begge side 90°. Sørg for, at knapperne er forsvarligt fastgjort.

► Fig.3: 1. Knap

BEMÆRK: Ved at holde i håndtaget er det nemmere at frigøre låsestiften, når du trækker i knappen.

Afmontering af komposteringsproppen

- Åbn bagdækslet.
- Løft komposteringsproppen lidt, og afmonter den derefter.

► Fig.4: 1. Bagdækslet
► Fig.5: 1. Komposteringsprop

Montering af græskurven

- Tag det øverste klip på græskurven.
- Sæt rammen ind i græskurven så langt, den vil gå, mens du holder i rammens håndtag.

► Fig.6: 1. Øverste klip
► Fig.7: 1. Håndtag

BEMÆRKNING: Sæt ikke håndtaget ind i græskurven. Sørg for at sætte rammen ind langs sømmen på græskurven.

- Sørg for, at der ikke er noget, som hænger ned i hjørnerne af græskurven.
- Åbn det øverste klip, og monter det på rammen.
- Monter alle de andre klip som vist i figuren. Sørg for, at alle klippene er forsvarligt fastgjort til rammen.

► Fig.8
► Fig.9
► Fig.10: 1. Klip

Montering eller afmontering af græskurven

Følg nedenstående fremgangsmåde for at montere græskurven.

- Åbn bagdækslet.
- Hold i håndtaget på græskurven og sæt derefter kroen på græskurven på stangen på plæneklipperens karosseri som vist i illustrationen.

► Fig.11: 1. Bagdækslet
► Fig.12: 1. Græskurv 2. Håndtag 3. Stang

For at fjerne græskurven skal du åbne bagdækslet og derefter fjerne græskurven ved at holde i håndtaget.

Montering af komposteringsproppen

1. Åbn bagdækslet, og fjern derefter græskurven.
► **Fig.13:** 1. Bagdæksel 2. Græskurv
2. Fastgør komposteringsproppen ved at skubbe den så langt som muligt, så de fremspringende dele på komposteringsproppen passer ind i hullerne på maskinen.
► **Fig.14:** 1. Komposteringsprop 2. Fremspringende del

FUNKTIONSBESKRIVELSE

Isætning eller fjernelse af akkuen

⚠FORSIGTIG: Sluk altid for maskinen, før du monterer eller fjerner akkuen.

⚠FORSIGTIG: Hold maskinen og akkuen fast, når du monterer eller fjerner akkuen. Hvis du ikke holder maskinen og akkuen fast, kan de glide ud af dine hænder og resultere i skader på maskinen, akkuen og en personskaade.

⚠FORSIGTIG: Sørg for, at akku-dækslet er låst inden brugen. Ellers kan mudder, snavs eller vand øve skade på produktet eller akkuen.

⚠FORSIGTIG: Installér altid akkuen helt, så den røde indikator ikke kan ses. Ellers kan den falde ud af maskinen ved et uheld og forårsage personskaade på dig eller personer i nærheden.

⚠FORSIGTIG: Installér ikke akkuen med magt. Hvis akkuen ikke glider nemt ind, betyder det, at den ikke sættes korrekt ind.

⚠FORSIGTIG: Hold godt fast i akku-dækslet, når du monterer eller afmonterer akkuen.

BEMÆRK: Maskinen fungerer ikke med kun én akku.

Installation af akkuen:

1. Træk låsearmen op, og åbn derefter akku-dækslet.
► **Fig.15:** 1. Akku-dæksel 2. Låsearm
2. Justér tungen på akkuen med åbningen på maskinen, og skub derefter akkuen, indtil den låses på plads med et lille klik.
► **Fig.16:** 1. Akku
3. Sæt låsenøglen så langt ind, som den kan komme, på det sted, der vises på illustrationen.
► **Fig.17:** 1. Låsenøgle

4. Luk akku-dækslet, og tryk på det, indtil det går i indgreb med låsearmen.

Sådan fjerner du akkuen;

1. Træk låsearmen op, og åbn akku-dækslet.
2. Træk akkuen ud fra maskinen, mens der skubbes på knappen på forsiden af akkuen.
3. Træk låsenøglen ud.
4. Luk akku-dækslet.

Beskyttelsessystem til maskinen/batteriet

Maskinen er udstyret med et beskyttelsessystem til maskinen/batteriet. Dette system afbryder automatisk strømmen til motoren for at forlænge maskinens og batteriets levetid. Maskinen stopper automatisk under brugen, hvis maskinen eller batteriet udsættes for et af følgende forhold:

Overbelastningsbeskyttelse

Hvis batteriet anvendes på en måde, der bevirker, at det forbruger en unormal mængde strøm, vil maskinen automatisk stoppe, og hovedstrømlampen blinker grønt. Sluk i så fald for maskinen, og stop den anvendelse, der medførte, at maskinen blev overbelastet. Tænd derefter for maskinen for at starte den igen.

Beskyttelse mod overophedning

Hvis maskinen eller batteriet er overophedet, stopper maskinen automatisk, og hovedstrømlampen lyser rødt. Lad i så fald maskinen og batteriet køle af, før der tændes for maskinen igen.

Beskyttelse mod overafledning

Hvis batteriladningen er for lav, stopper maskinen automatisk, og hovedstrømlampen blinker rødt. Fjern i så fald batteriet fra maskinen, og lad akkerne op, eller udskift akkerne med nogle, der er fuldt opladet.

Beskyttelse mod andre årsager

Beskyttelsessystemet er også designet til andre årsager, der kan beskadige maskinen og gør det muligt for maskinen at stoppe automatisk. Benyt alle følgende fremgangsmåder for at fjerne årsagerne, når maskinen er blevet midlertidigt stoppet eller stoppet under betjening.

1. Sluk for maskinen, og tænd den igen for at genstarte.
2. Oplad batteriet/batterierne, eller udskift det/dem med genopladet/genopladede batteri/batterier.
3. Lad maskinen og batteriet/batterierne køle af.

Hvis der ikke kan findes nogen forbedring ved at gen-danne beskyttelsessystemet, skal det lokale Makita-servicecenter kontaktes.

BEMÆRKNING: Hvis maskinen stopper på grund af en årsag, der ikke er beskrevet ovenfor, skal du se afsnittet om fejlfinding.

Indikation af den resterende batteriladning

► **Fig.18:** 1. Batteriindikator

Når den resterende batteriladning bliver lav, blinker batteriindikatoren på den anvendelige batteriside. Ved yderligere brug stopper maskinen, og batteriindikatoren lyser. I denne situation skal du oplade akkuen.

Indikation af den resterende batteriladning

Kun til akkuer med indikatoren

Tryk på kontrolknappen på akkuen for at få vist den resterende batteriladning. Indikatorlampen lyser i nogle sekunder.

► **Fig.19:** 1. Indikatorlamper 2. Kontrolknap

Indikatorlamper			Resterende ladning
Tændt	Slukket	Blinker	
■	□	◻	75% til 100%
■ ■ ■ ■			
■ ■ ■ □			50% til 75%
■ ■ □ □			25% til 50%
■ □ □ □			0% til 25%
◻ □ □ □			Genoplad batteriet.
◻ □ □ □			Der er muligvis fejl i batteriet.
◻ □ ■ ■	↑ ↓		

BEMÆRK: Afhængigt af brugsforholdene og den omgivende temperatur kan indikationen afvige en smule fra den faktiske ladning.

BEMÆRK: Den første indikatorlampe (længst mod venstre) vil blinke, når batteribeskyttelsessystemet aktiveres.

Hovedafbryder

⚠ ADVARSEL: Sluk altid for hovedafbryderen, når maskinen ikke bruges.

► **Fig.20:** 1. Hovedstrømlampe 2. Hovedafbryder

Tryk på hovedafbryderen for at tænde for maskinen. Hovedstrømlampen lyser grønt. Tryk på hovedafbryderen igen for at slukke for maskinen.

BEMÆRK: Hvis hovedstrømlampen lyser rødt, eller den blinker rødt eller grønt, skal du se i instruktionerne til beskyttelsessystemet til maskinen/batteriet.

BEMÆRK: Denne maskine har en funktion til automatisk slukning. For at undgå utilsigtet start slukker hovedafbryderen automatisk, når der ikke trykkes på afbryderarmen og drevarmen (hvis udstyret dermed) i en vis periode, efter at der tændes for hovedafbryderen.

Afbryderbetjening

⚠ ADVARSEL: Inden akkuen installeres, skal De altid kontrollere, at afbryderarmen fungerer, som den skal, og returnerer til udgangsstillingen, når den slippes. Anvendelse af maskinen med en afbryder, der ikke fungerer korrekt, kan føre til, at man mister herredømmet over maskinen med alvorlig personskade som følge.

BEMÆRK: Plæneklipperen starter ikke, uden at De trykker på afbryderknappen, selv hvis afbryderarmen trækkes.

BEMÆRK: Plæneklipperen starter muligvis ikke pga. overbelastning, hvis De forsøger at slå højt eller tæt græs samtidig. Forøg i så fald klippehøjden.

Denne plæneklipper er udstyret med låsenøglen og håndtagsknappen. Hvis du bemærker noget usædvanligt med enten låsenøglen eller afbryderen, skal du straks stoppe anvendelsen og få dem eftersat hos nærmeste autoriserede Makita Servicecenter.

Til DLM481/DLM539

1. Installer akkuerne. Sæt låsenøglen i og luk derefter akku-dækslet.
2. Tryk på hovedafbryderen.
3. Træk afbryderarmen ind mod dig, mens du holder ned på afbryderknappen. Frigør afbryderknappen, så snart motoren begynder at køre.

► **Fig.21:** 1. Afbryderknop 2. Afbryderarm

4. Skub drevarmen fremad, idet der trykkes på afbryderarmen, og hold den for at dreje baghjulene.

► **Fig.22:** 1. Drevarm

BEMÆRK: Du kan dreje baghjulene ved at skubbe drevarmen fremad og holde den uden at trække i afbryderarmen.

5. Slip drevarmen og afbryderarmen for at stoppe maskinen.

Til DLM480/DLM538

1. Installer akkuerne. Sæt låsenøglen i og luk derefter akku-dækslet.

2. Tryk på hovedafbryderen.

3. Træk afbryderarmen ind mod dig, mens du holder ned på afbryderknappen. Frigør afbryderknappen, så snart motoren begynder at køre.

► **Fig.23:** 1. Afbryderknop 2. Afbryderarm

4. Slip afbryderarmen for at stoppe motoren.

Indstilling af klippehøjden

⚠ ADVARSEL: Stik aldrig en hånd eller et ben ind under plæneklipperen, når De indstiller klippehøjden.

⚠ ADVARSEL: Sørg altid for, at armen passer ordentligt ind i rillen inden brugen.

Klippehøjden kan indstilles inden for et interval mellem 20 mm og 100 mm.

Fjern låsenøglen, og træk derefter justeringsarmen til klippehøjde udad på plæneklipperens karosseri, og flyt den til den ønskede klippehøjde.

► **Fig.24:** 1. Justeringsarm til klippehøjde

Tabellen nedenfor viser forholdet mellem nummeret på plæneklipperens karosseri og den omtrentlige klippehøjde.

Nummer	Klippehøjde
1	20 mm
2	26 mm
3	32 mm
4	40 mm
5	49 mm
6	59 mm
7	70 mm
8	81 mm
9	92 mm
10	100 mm

Hold det nederste håndtag med den ene hånd, og flyt derefter justeringsarmen til klippehøjde med den anden hånd.

► **Fig.25:** 1. Justeringsarm til klippehøjde 2. Nederste håndtag

BEMÆRK: Tallene for klippehøjde må kun bruges som retningslinje. Afhængigt af brugsforholdene på plænen eller jorden kan den faktiske græshøjde afvige en smule i forhold til den indstillede højde.

BEMÆRK: Udfør en testklipping på et mindre iøjne-faldende sted for at opnå den ønskede højde.

Græsniveauindikator

Græsniveauindikatoren viser mængden af det klippede græs. Når græskurven ikke er fuld, vil indikatoren bevæge sig, mens bladene kører.

► **Fig.26:** 1. Græsniveauindikator

Når græskurven næsten er fuld, bevæger indikatoren sig ikke, mens bladene kører. Hold i dette tilfælde straks op med anvendelsen og tøm kurven.

► **Fig.27:** 1. Græsniveauindikator

BEMÆRK: Denne indikator er en omtrentlig retningslinje. Det er ikke sikkert, at indikatoren fungerer korrekt, det afhænger af forholdene i kurven.

Indstilling af håndtagets højde

Højden af håndtaget kan indstilles til to niveauer.

1. Hold i det nederste håndtag, og drej derefter knappen 90°, mens du trykker på knappen på det nederste håndtag for at frigøre låsestiften. Udfør den samme procedure på den anden side.

► **Fig.28:** 1. Nederste håndtag 2. Knap

BEMÆRK: Ved at holde i håndtaget er det nemmere at frigøre låsestiften, når du trækker i knappen.

2. Juster håndtagets højde, og drej derefter knappen på begge sider 90°. Sørg for, at knapperne er forsvarligt fastgjort.

► **Fig.29:** 1. Knap

Justering af kørehastigheden

Til DLM481/DLM539

► **Fig.30:** 1. Hastighedsarm

Kørehastigheden kan justeres med hastighedsarmen. For at sænke hastigheden skal du trække armen ind mod dig selv, og for at forøge hastigheden skal du dreje armen fremad.

Brug af komposteringsproppen

Med komposteringsproppen kan du returnere det afklippede græs til jorden uden at samle det afklippede græs i græskurven. Når du bruger maskinen sammen med komposteringsproppen, skal du sørge for at fjerne græskurven.

BEMÆRKNING: Når maskinen anvendes med komposteringsproppen, skal du sørge for, at den samlede længde af græs efter klipping er 30 mm eller mere, og at klippelængden er 15 mm eller mindre.

► **Fig.31:** (1) 30 mm eller mere (2) 15 mm eller mindre

Brug af bagudledningen

Når du anvender bagudledningen, kan du udlede det afklippede græs til jorden fra bagsiden af maskinen uden at samle det afklippede græs i græskurven.

Når du betjener maskinen ved brug af bagudledningen, skal du sørge for at fjerne græskurven og komposteringsproppen og lukke bagdækslet.

Elektronisk funktion

Maskinen er udstyret med elektroniske funktioner for nem betjening.

- Blød start ved kørsel
Funktionen til blød start minimerer stødet ved start og får maskinen til at starte blødt.
- Elektrisk bremse
Denne maskine er udstyret med en elektrisk bremse. Hvis maskinen konsekvent untlader at stoppe plæneklipperbladene hurtigt, efter afbryderarmen er sluppet, skal maskinen efterses hos et autoriseret Makita-servicecenter.

ANVENDELSE

Klipping

⚠ ADVARSEL: Fjern grene og sten fra klippingsområdet inden klippingen. Fjern også på forhånd alt ukrudt fra klippingsområdet.

⚠ ADVARSEL: Bær altid beskyttelsesbriller eller sikkerhedsbriller med sideafskærmning, når De anvender plæneklipperen.

⚠ FORSIGTIG: Hvis afklippet græs eller et fremmedlegeme sætter sig fast inde i maskinens kabinet, skal De sørge for at fjerne låsenøglen og akkuen og bære handsker, før De fjerner græsset eller fremmedlegemet.

BEMÆRKNING: Brug kun denne maskine til at slå græs. Undlad at klippe ukrudt med maskinen.

► **Fig.32**

Hold godt fast i håndtaget med begge hænder, når De klipper græs. Retningslinjen for græsklippingshastighed er cirka 7 til 14 meter for hver 10 sekunder.

► **Fig.33**

BEMÆRK: Når du slå en lang græsplæne eller en tæt græsplæne, skal du sænke klippehastigheden lavere end anbefalet i denne vejledning, eller hæve klippehøjden, hvis der konstateres ujævnheder i længden af græsplænen eller dårlig overflade efter slåning, eller hvis motorhastigheden falder under slåning.

Centerstregene på forhjulene er retningslinjer for klippebredden. Klip i striber, idet centerstregene bruges som retningslinjer. Overlap med halvdelen til en tredje-del af den forrige stribe for at klippe plænen jævnt.

► **Fig.34:** 1. Klipningsbredde 2. Overlappende område 3. Centerstreg

Skift klipningsretning hver gang for at forhindre, at græsmønsteret kun dannes i én retning.

► **Fig.35**

Kontrollér regelmæssigt græskurven for bortklippet græs. Tøm græskurven, før den bliver fuld. Inden hver periodisk kontrol skal De sørge for at stoppe plæneklipperen og derefter fjerne låsenøglen og akkuen.

BEMÆRKNING: Hvis plæneklipperen anvendes med græskurven fuld, kan der ikke opnås problemfri rotation af bladet, og motoren udsættes for ekstra belastning, hvilket kan føre til sammenbrud.

Slåning af lang græsplæne

Undlad at forsøge at slå den lange græsplæne på én gang. I stedet skal du slå græsplænen i trin. Lad der gå en dag eller to mellem slåningerne, indtil plænen bliver ensartet kort.

► **Fig.36**

BEMÆRK: Hvis du slår en lang græsplæne til kort længde på én gang, kan det medføre, at græsplænen dør. Den afklippede græsplæne kan også blokere indersiden af plæneklipperens krop.

BEMÆRK: Hvis der konstateres ujævnheder i længden af græsplænen eller dårlig overflade efter klipning, eller der konstateres fald i motorhastigheden under klipning, skal du sænke klippehastigheden eller hæve klippehøjden.

Tømning af græskurven

ADVARSEL: For at reducere risikoen for ulykker skal De med jævne mellemrum efterse græskurven for beskadigelse eller forringet styrke. Udskift om nødvendigt græskurven.

1. Slip afbryderarmen og drevarmen (til DLM481/DLM539), eller slip afbryderarmen (til DLM480/DLM538).

2. Fjern låsenøglen.

3. Åbn bagdækslet, og tag græskurven ud ved at holde i håndtaget.

► **Fig.37:** 1. Bagdæksel 2. Håndtag 3. Græskurv

4. Tøm græskurven.

VEDLIGEHOLDELSE

ADVARSEL: Sørg altid for, at låsenøglen og akkuen er fjernet fra plæneklipperen, inden den stilles til opbevaring, eller De bærer plæneklipperen, eller inden De foretager inspektion eller vedligeholdelse.

ADVARSEL: Fjern altid låsenøglen, når plæneklipperen ikke er i brug. Opbevar låsenøglen på et sikkert sted, hvor børn ikke kan få fat i den.

ADVARSEL: Bær altid handsker under udførelse af inspektion eller vedligeholdelse.

ADVARSEL: Bær altid beskyttelsesbriller eller sikkerhedsbriller med sideafskærmning, før De foretager inspektion eller vedligeholdelse.

BEMÆRKNING: Anvend aldrig benzin, rensebenzin, fortynder, alkohol og lignende. Det kan medføre misfarvning, deformation eller revner.

For at opretholde produktets SIKKERHED og PÅLIDELIGHED må reparation, vedligeholdelse eller justering kun udføres af et autoriseret Makita servicecenter eller fabrikksservicecenter med anvendelse af Makita reservedele.

Vedligeholdelse

1. Fjern låsenøglen og akkuerne, og luk derefter akku-dækslet.
2. Læg plæneklipperen på siden. Rengør græsafklip, der er samlet på undersiden af plæneklipperdækket.
3. Hæld vand mod bunden af maskinen, hvor bladet er fastgjort.

BEMÆRKNING: Undlad at vaske maskinen med højtryksvand.

4. Kontrollér, at alle møtrikker, bolte, skruer osv. er strammet.
5. Inspicér de bevægelige dele for beskadigelse, brud og slitage. Beskadigede eller manglende dele skal repareres eller udskiftes.
6. Opbevar plæneklipperen på et sikkert sted, der er utilgængeligt for børn.

Til DLM481/DLM539

BEMÆRKNING: Hæld ikke vand på området vist i illustrationen. Hældes der vand på motoren, kan det muligvis medføre en funktionsfejl på maskinen.

► **Fig.38:** 1. Område, hvor der ikke må hældes vand på

Til DLM481/DLM539

BEMÆRKNING: Undlad at hælde vand på maskinen, mens maskinen er i opretstående position som vist på figuren. Hvis maskinen er i den opretstående position, kan vand strømme ned i motoren og forårsage en funktionsfejl i maskinen.

► **Fig.39**

Sådan bæres plæneklipperen

⚠️FORSIGTIG: Før du bærer plæneklipperen, skal du sørge for, at akkuen og låsenøglen er afmonteret.

Når plæneklipperen bæres, holdes i det bageste greb og den nederste holdedel på maskinens forside med to personer som vist i figuren.

► **Fig.40:** 1. Nederste holdedel 2. Bageste greb

Opbevaring

⚠️FORSIGTIG: Når maskinen anbringes i opretstående position, placeres maskinen på en flad og stabil overflade. Hvis maskinen er placeret på en ustabil overflade, kan maskinen vælte og forårsage personskade.

Opbevar plæneklipperen indendørs på et køligt, tørt og aflåst sted. Opbevar ikke plæneklipperen og opladeren på steder, hvor temperaturen kan komme op på eller overstige 40 °C.

1. Afmonter akkuen og låsenøglen.
2. Drej knappen 90°, mens du trykker på knappen på det nederste håndtag for at frigøre låsestiften. Udfør den samme procedure på den anden side, og fold derefter håndtaget.

► **Fig.41:** 1. Knap

BEMÆRK: Ved at holde i håndtaget er det nemmere at frigøre låsestiften, når du trækker i knappen.

3. Drej knappen på begge sider 90°. Sørg for, at knapperne er forsvarligt fastgjort.

Til DLM481/DLM539

► **Fig.42:** 1. Knap

Til DLM480/DLM538

► **Fig.43:** 1. Knap

BEMÆRKNING: Pas på ikke at klemme ledningerne, når håndtaget foldes sammen.

4. Løsn fingermøtrikkerne på begge sider, og fold derefter det øverste håndtag som vist på figuren.

► **Fig.44:** 1. Fingermøtrik 2. Øverste håndtag

5. Placer maskinen i opretstående position.

BEMÆRK: Når plæneklipperen placeres i opretstående position, skal du ikke kun holde i håndtaget, men holde i plæneklipperen karosseri og håndtag.

6. Opbevar græskurven som vist på figuren.

► **Fig.45:** 1. Græskurv

► **Fig.46:** 1. Græskurv

Afmontering eller montering af plæneklipperbladet

⚠️ADVARSEL: Bladet drejer rundt i et par sekunder, efter at afbryderen er frigjort. Undlad at starte nogen betjening, før bladet er standset helt.

⚠️ADVARSEL: Fjern altid låsenøglen og akkuen, når bladet afmonteres eller monteres. Forsømmelse af at fjerne låsenøglen og akkuen kan medføre alvorlig personskade.

⚠️ADVARSEL: Brug altid handsker, når De håndterer bladet.

BEMÆRKNING: Når du afmonterer eller monterer plæneklipperbladet, skal du brug den topnøgle, der er inkluderet i maskinpakken.

Fjernelse af plæneklipperbladet

1. Læg plæneklipperen på siden, så justeringsarmen til klippehøjde er på undersiden.
 2. For at låse bladet skal du indsætte stiften i hullet på plæneklipperens karosseri så langt som muligt.
 3. Drej bolten i retningen mod uret med topnøgle 17.
- **Fig.47:** 1. Plæneklipperblad 2. Stift 3. Topnøgle
4. Fjern bolten og derefter plæneklipperbladet.
- **Fig.48:** 1. Bladunderstøttelse 2. Plæneklipperblad 3. Bolt 4. Fremspringende del

BEMÆRKNING: Når du monterer plæneklipperbladet, skal du sørge for, at fremspringende dele på bladunderstøttelsen passer ind i hullerne i plæneklipperbladet.

Montering af plæneklipperbladet

⚠️ADVARSEL: Monter plæneklipperbladet med forsigtighed. Det har en øverste og nederste flade.

⚠️ADVARSEL: Stram bolten godt til i retningen med uret for at fastgøre bladet.

⚠️ADVARSEL: Sørg for, at plæneklipperbladet og alle fastgøringsdelene er monteret korrekt og strammet godt til.

⚠️ADVARSEL: Følg altid instruktionerne i denne brugsanvisning, når De udskifter bladene.

BEMÆRKNING: Når du tilspænder bolten for at montere plæneklipperbladet, skal du påføre 19 - 29 N•m som tilspændingsmoment (værdierne er kun til reference).

BEMÆRKNING: Efter montering af plæneklipperbladene skal du fjerne stiften fra plæneklipperens karosseri.

For at montere plæneklipperbladene skal du udføre proceduren for afmontering i modsat rækkefølge.

FEJLFINDING

Udfør selv en inspektion, inden De anmoder om reparation. Hvis du opdager et problem, som ikke er forklaret i brugsanvisningen, må du ikke forsøge at skille maskinen ad. Rådfør Dem i stedet med et autoriseret Makita Servicecenter, og brug altid originale Makita udskiftningsdele til reparationer.

Unormal tilstand	Sandsynlig årsag (fejl)	Afhjælpning
Plæneklipperen starter ikke.	Der er ikke installeret to akkuer.	Installer to opladede akkuer.
	Akku-problem (underspænding)	Genoplad akkuen. Udskift akkuen, hvis genopladningen ikke er effektiv.
	Låsenøglen er ikke sat i.	Sæt låsenøglen i.
Motoren stopper efter kort tids brug.	Akkuens ladeniveau er lavt.	Genoplad akkuen. Udskift akkuen, hvis genopladningen ikke er effektiv.
	Klippehøjden er for lav.	Forøg klippehøjden.
	Afskåret græs er tilstoppet i plæneklipperen.	Fjern det tilstoppede græs fra plæneklipperen.
Maks. antal omdrejninger pr. minut (RPM) nås ikke.	Akkuen er ikke sat ordentligt i.	Installér akkuen som beskrevet i denne brugsanvisning.
	Akkuens effekt mindskes.	Genoplad akkuen. Udskift akkuen, hvis genopladningen ikke er effektiv.
	Drivsystemet fungerer ikke korrekt.	Få et lokalt, autoriseret servicecenter til at reparere det.
Plæneklipperbladet roterer ikke: ⇒ Stop øjeblikkeligt plæneklipperen!	Et fremmedlegeme, f.eks. en gren, har sat sig fast i nærheden af bladet.	Fjern fremmedlegemet.
	Drivsystemet fungerer ikke korrekt.	Få et lokalt, autoriseret servicecenter til at reparere det.
Unormal vibration: ⇒ Stop øjeblikkeligt plæneklipperen!	Bladet er ubalanceret, ekstremt eller uensartet slidt.	Skift bladet ud med et nyt.

EKSTRAUDSTYR

⚠ FORSIGTIG: Dette tilbehør og ekstraudstyr er anbefalet til brug med din Makita-maskine, der er beskrevet i denne brugsanvisning. Brug af andet ekstraudstyr eller tilbehør kan medføre risiko for personskade. Brug kun ekstraudstyr eller tilbehør til det formål, det er beregnet til.

Hvis De behøver hjælp ved valg af tilbehør eller ønsker yderligere informationer, bedes De kontakte Deres lokale Makita servicecenter.

- Plæneklipperblad
- Original Makita akku og oplader

BEMÆRK: Nogle ting på denne liste kan være inkluderet i produktpakken som standardtilbehør. De kan være forskellige fra land til land.

SPECIFIKĀCIJAS

Modelis:		DLM480	DLM481	DLM538	DLM539
Plaušanas platums (asmens diametrs)		480 mm		534 mm	
Ātrums bez slodzes		3 100 min ⁻¹		3 000 min ⁻¹	
Plaujmašīnas asmens rezerves daļas numurs	Taisns plaujmašīnas asmens	191V97-3		191V96-5 / 191W87-2	
	Mulčēšanas asmens	191Y64-6		191Y65-4	
Izmēri (G x P x A)	ekspluatācijas laikā	G: 1 690–1 740 mm P: 530 mm A: 930–1 060 mm		G: 1 810–1 870 mm P: 580 mm A: 920–1 040 mm	
	glabāšanas laikā (bez zāles groza)	580 mm x 530 mm x 870 mm		610 mm x 580 mm x 925 mm	
Pārvietošanās ātrums		–	2,5–5,0 km/h	–	2,5–5,0 km/h
Nominālais spriegums		Līdzstrāva 36 V			
Neto svars		24,5 - 26,8 kg	27,0 – 29,3 kg	25,5 - 28,0 kg	27,9–30,4 kg
Aizsardzības pakāpe		IPX4			

- Nepārtrauktās izpētes un izstrādes programmas dēļ šeit uzrādītās specifikācijas var tikt mainītas bez brīdinājuma.
- Atkarībā no valsts specifikācijas var atšķirties.
- Svārs var būt atšķirīgs atkarībā no papildierīces(-ēm), tostarp akumulatora kasetnes. Tabulā ir attēlota vieglākā un smagākā kombinācija atbilstoši EPTA procedūrai 01/2014.

Piemērotā akumulatora kasetne un lādētājs

Akumulatora kasetne	BL1815N / BL1820B / BL1830B / BL1840B / BL1850B / BL1860B
Lādētājs	DC18RC / DC18RD / DC18RE / DC18SD / DC18SE / DC18SF / DC18SH / DC18WC

- Daži no iepriekš norādītajiem lādētājiem un akumulatora kasetnēm var nebūt pieejami atkarībā no jūsu mītnes reģiona.

BRĪDINĀJUMS: Izmantojiet vienīgi iepriekš norādītās akumulatora kasetnes un lādētājus. Cita tipa akumulatora kasetņu un lādētāju izmantošana var radīt traumu un/vai aizdegšanās risku.

BRĪDINĀJUMS: Ar šo darbarīku neizmantojiet strāvas apgādi, kas pievienota ar vadu, piemēram, akumulatora adapteri vai pārnēsājamu barošanas bloku. Šāda veida strāvas apgādes ierīces strāvas vads var traucēt darbību, tādējādi izraisot traumas.

Simboli

Tālāk ir attēloti simboli, kas var attiekties uz darbarīka lietošanu. Pirms darbarīka izmantošanas pārliecinieties, vai pareizi izprotat to nozīmi.



Esiet īpaši rūpīgs un uzmanīgs.



Izlasiet lietošanas rokasgrāmatu.



Bīstami! Sargieties no izvīstiem priekšmetiem.



Attālumm starp darbarīku un apkārtējiem jābūt vismaz 15 m.



Nenovietojiet rokas un kājas plaujmašīnas asmeņu tuvumā zem plaujmašīnas. Plaujmašīnas asmeņi turpina griezties arī pēc motora izslēgšanas.



Pirms plaujmašīnas pārbaudes, regulēšanas, tīrīšanas, apkopes, atstāšanas bez uzraudzības un uzglabāšanas izņemiet bloķēšanas atslēgu.



Brīdinājums: pirms veicat apkopi, atvienojiet akumulatoru.



Ar elektrību saistīts risks. Saskare ar ūdeni var izraisīt elektriskās strāvas triecienu.



Neļejiet virsū ūdeni.



Tikai ES valstīm
Tā kā šajā aprīkojumā ir bīstamas sastāvdaļas, elektrisko un elektronisko iekārtu, akumulatoru un bateriju atkritumi var negatīvi ietekmēt apkārtējo vidi un cilvēka veselību.

Elektroierīces, elektroniskās ierīces un akumulatorus nedrīkst izmest kopā ar mājsaimniecības atkritumiem!
Saskaņā ar Eiropas direktīvu par elektrisko un elektronisko iekārtu atkritumiem, akumulatoriem un baterijām, kā arī akumulatoru un bateriju atkritumiem un šīs direktīvas pielāgošanu valsts tiesību aktiem elektrisko un elektronisko iekārtu, bateriju un akumulatoru atkritumi ir jāglabā atsevišķi un jānogādā uz sadzīves atkritumu dalītās savākšanas vietu, ievērojot attiecīgos vides aizsardzības noteikumus.
Par to liecina uz iekārtas redzams simbols ar pārsvītrotu atkritumu konteineru uz rīteņiem.



Garantētais skaņas jaudas līmenis saskaņā ar ES Direktīvu par troksni ārpus telpām.



Skaņas jaudas līmenis saskaņā ar Austrālijas NSW trokšņu kontroles noteikumiem

Paredzētā lietošana

Šī mašīna ir paredzēta zāles pļaušanai.

Trokšņa līmenis

Tipiskais A svērtais trokšņa līmenis noteikts saskaņā ar EN IEC 62841-4-3:

Modelis	Izmērītais skaņas jaudas līmenis (L_{WA}): (dB(A))	Garantētais skaņas jaudas līmenis (L_{WA}): (dB(A))
DLM480	92	95
DLM481	92	95
DLM538	95	98
DLM539	95	98

Modelis	Skaņas spiediena līmenis (L_{pA}): (dB(A))	Skaņas spiediena līmeņa nenoteiktība (K): (dB(A))
DLM480	84	3
DLM481	84	3
DLM538	85	3
DLM539	85	3

PIEZĪME: Paziņotā trokšņa emisijas vērtība noteikta atbilstoši standartā pārbaudes metodei, un to var izmantot, lai salīdzinātu vienu darbarīku ar citu.

PIEZĪME: Paziņoto trokšņa emisijas vērtību arī var izmantot iedarbības sākotnējā novērtējumā.

▲BRĪDINĀJUMS: Lietojiet ausu aizsargus.

▲BRĪDINĀJUMS: Trokšņa emisija patiesos darba apstākļos var atšķirties no paziņotās vērtības atkarībā no darbarīka izmantošanas veida un jo īpaši atkarībā no apstrādājamā materiāla veida.

▲BRĪDINĀJUMS: Lai aizsargātu lietotāju, nosakiet drošības pasākumus, kas pamatoti ar iedarbību reālos darba apstākļos (ņemot vērā visus ekspluatācijas cikla posmus, piemēram, laiku, kamēr darbarīks ir izslēgts un kad darbojas tukšgaitā, kā arī palaides laiku).

Vibrācija

Vibrācijas kopējā vērtība (trīsasu vektora summa) noteikta atbilstoši EN IEC 62841-4-3:

Modelis DLM480

Vibrācijas izmēte (a_h): 2,5 m/s² vai mazāk
Mainīgums (K): 1,5 m/s²

Modelis DLM481

Vibrācijas izmēte (a_h): 2,5 m/s² vai mazāk
Mainīgums (K): 1,5 m/s²

Modelis DLM538

Vibrācijas izmēte (a_h): 2,5 m/s² vai mazāk
Mainīgums (K): 1,5 m/s²

Modelis DLM539

Vibrācijas izmēte (a_h): 2,5 m/s² vai mazāk
Mainīgums (K): 1,5 m/s²

PIEZĪME: Paziņotā kopējā vibrācijas vērtība noteikta atbilstoši standartā pārbaudes metodei, un to var izmantot, lai salīdzinātu vienu darbarīku ar citu.

PIEZĪME: Paziņoto kopējo vibrācijas vērtību arī var izmantot iedarbības sākotnējā novērtējumā.

▲BRĪDINĀJUMS: Vibrācijas emisija patiesos darba apstākļos var atšķirties no paziņotās vērtības atkarībā no darbarīka izmantošanas veida un jo īpaši atkarībā no apstrādājamā materiāla veida.

▲BRĪDINĀJUMS: Lai aizsargātu lietotāju, nosakiet drošības pasākumus, kas pamatoti ar iedarbību reālos darba apstākļos (ņemot vērā visus ekspluatācijas cikla posmus, piemēram, laiku, kamēr darbarīks ir izslēgts un kad darbojas tukšgaitā, kā arī palaides laiku).

Atbilstības deklarācijas

Tikai Eiropas valstīm

Atbilstības deklarācijas šajā lietošanas rokasgrāmatā ir iekļautas kā A pielikums.

DROŠĪBAS BRĪDINĀJUMI

Vispārīgi elektrisko darbarīku drošības brīdinājumi

▲BRĪDINĀJUMS Izlasiet visus drošības brīdinājumus, norādījumus un tehniskos datus un izpētiēt ilustrācijas, kas iekļautas šā elektriskā darbarīka komplektā. Neievērojot visus tālāk minētos noteikumus, iespējams elektriskās strāvas trieciena, aizdegšanās un/vai smagu traumu risks.

Glabājiet visus brīdinājumus un norādījumus, lai varētu tajos ieskatīties turpmāk.

Termins „elektrisks darbarīks” brīdinājumos attiecas uz tādu elektrisko darbarīku, ko darbina ar elektrību (ar vadu), vai tādu, ko darbina ar akumulatoru (bez vada).

Drošības brīdinājumi bezvada zāles plaujmašīnas lietošanai

1. Neizmantojiet zāles plaujmašīnu sliktos laikapstākļos, jo īpaši laikā, kad iespējams zibens. Tādējādi samazinās zibens trieciena risks.
2. Rūpīgi pārbaudiet, vai vietā, kurā izmantosit zāles plaujmašīnu, nav savvaļas dzīvnieku. Zāles plaujmašīnas izmantošanas laikā var savainot savvaļas dzīvniekus.
3. Rūpīgi pārbaudiet vietu, kurā izmantosit zāles plaujmašīnu, un atīriet to no visiem akmeņiem, zariem, vadiem, kauliem un citiem svešķermeņiem. Objekti, kas atsitas, var radīt traumu.
4. Pirms izmantot zāles plaujmašīnu, vienmēr apskatiet, vai asmens un asmens mezgls nav nodilis vai bojāts. Nodilušas vai bojātas detaļas var paaugstināt traumu gūšanas risku.
5. Regulāri pārbaudiet, vai zāles uztvērējs nav nodilis vai nolietojies. Nodilis vai bojāts zāles uztvērējs var paaugstināt traumu gūšanas risku.
6. Sargiem vienmēr jāatrodas paredzētajās vietās. Lai varētu pareizi uzmontēt sargus, tiem jābūt darba kārtībā. Ja sargs uzstādīts vaļīgi, ir bojāts vai nedarbojas pareizi, var rasties traumas.
7. Raugieties, lai dzesēšanas gaisa iepļūdes atveres nebūtu bloķētas. Ja gaisa iepļūdes atveres ir aizklātas, zāles plaujmašīna var pārkarst un aizdegties.
8. Strādājot ar zāles plaujmašīnu, vienmēr valkājiet neslidošus aizsargapavus. Nestrādājiet ar zāles plaujmašīnu, ja jums kājās nav apavu vai valkājat atvērtas sandales. Tādējādi samazināsies kāju savainošanas risks, tām saskaroties ar kustīgu asmeni.
9. Strādājot ar zāles plaujmašīnu, vienmēr valkājiet garās bikses. Ja āda nav apklāta, ir lielāka varbūtība savainoties ar atlecošiem objektiem.
10. Neizmantojiet zāles plaujmašīnu slapjā zālē. Pārvietojieties ejot, nekad neskrīeniet. Tādējādi būs mazāks risks paslīdēt un pakrist, kas varētu radīt traumas.

11. Neizmantojiet zāles plaujmašīnu pārāk stāvās nogāzēs. Tādējādi būs mazāks risks zadēt kontroli, paslīdēt un pakrist, kas varētu radīt traumas.
12. Strādājot uz nogāzēm, vienmēr nodrošiniet kāju atbalstu, vienmēr strādājiet šķērsvirzienā nogāzes slīpumam, bet nekad virzienā uz leju vai uz augšu, un ievērojiet īpašu piesardzību, mainot virzienu. Tādējādi būs mazāks risks zadēt kontroli, paslīdēt un pakrist, kas varētu radīt traumas.
13. Esiet īpaši uzmanīgi, apgrīžot zāles plaujmašīnu vai velkot to pret sevi. Vienmēr apzinieties, kas jums ir apkārt. Tādējādi, izmantojot zāles plaujmašīnu, samazināsies pakļupšanas risks.
14. Nepieskarieties asmeņiem un kustīgām bīstamām detaļām, kamēr tās kustas. Tādējādi samazinās risks gūt traumas no kustīgām detaļām.
15. Tīrot iestrēgušus materiālus vai tīrot zāles plaujmašīnu, raugieties, lai visi slēdži būtu izslēgti un akumulatora kasetne atvienota. Negaidīta zāles plaujmašīnas ieslēgšanās var izraisīt smagas traumas.

Papildu drošības brīdinājumi

Apmācība

1. Uzmanīgi izlasiet norādījumus. Izprotiet plaujmašīnas vadības funkcijas un pareizas izmantošanas instrukcijas.
2. Nekādā gadījumā nepieļaujiet, ka zāles plaujmašīnu izmanto bērni vai cilvēki, kas nepārzina šos norādījumus plaujmašīnas izmantošanai. Vietējie noteikumi var ierobežot lietotāja vecumu.
3. Nekādā gadījumā nestrādājiet ar plaujmašīnu, ja tuvumā ir cilvēki (īpaši bērni) vai dzīvnieki.
4. Ņemiet vērā, ka operators vai lietotājs ir atbildīgs par negadījumiem vai apdraudējumu, kas radīts citiem cilvēkiem vai to īpašumam.

Sagatavošanās

1. Pirms plaušanas pārbaudiet, vai darba zonā nav citu cilvēku. Apturiet plaujmašīnu, ja kāds ienāk darba zonā.
2. Neievietojiet atslēgu plaujmašīnā, ja tā nav gatava izmantošanai.
3. Uzmaniēties no bedrēm, grambām, uzkalniņiem, akmeņiem un grūti pamanāmiem priekšmetiem. Strādājot uz nelīdzenas virsmas, varat paslīdēt un nokrist, tādējādi gūstot traumas. Garā zālē var būt grūti pamanāmi šķēršļi.
4. Neievietojiet vai neizmantojiet atslēgu lietus laikā.

Ekspluatācija

1. Apturiet plaujmašīnu, izņemiet bloķēšanas atslēgu un pārliecinieties, vai visas kustīgās daļas ir pilnībā apstājušās,
 - ja atstājat plaujmašīnu bez uzraudzības;
 - pirms nosprostojuumu tīrīšanas vai izmešanas kanāla tīrīšanas;
 - pirms plaujmašīnas pārbaudes, tīrīšanas vai citu darbu veikšanas ar plaujmašīnu.

2. Ja pļaujmašīna trāpa kādam objektam, rīkojieties šādi:
 - Apturiet pļaujmašīnu, atļaidiet slēdža sviru un pagaidiet, kamēr asmens pilnībā apstājas.
 - Izņemiet atslēgu un akumulatora kasetni.
 - Rūpīgi pārbaudiet, vai pļaujmašīnai nav bojājumu.
 - Nomainiet asmeni, ja tas ir bojāts. Salabojiet bojājumu pirms pļaujmašīnas atkārtotas iedarbināšanas un turpmākas ekspluatācijas.
 3. Ja pļaujmašīna sāk neparasti vibrēt vai pamanāt ko neparastu, nekavējoties veiciet tālāk norādītās darbības.
 - Apturiet pļaujmašīnu, atļaidiet slēdža sviru un pagaidiet, kamēr asmens pilnībā apstājas.
 - Izņemiet atslēgu un akumulatora kasetni.
 - Pārbaudiet bojājumus un nomainiet vai salabojiet visas bojātās daļas.
 - Pārbaudiet, vai nav vaļiņu daļu, un, ja ir, pievelciet tās.
 4. Nekādā gadījumā nelietojiet pļaujmašīnu, ja bojāti tās aizsargi vai vairogi vai ja nav uzstādītas drošības ierīces, piemēram, deflektori un/vai zāles grozs.
 5. Pļaujmašīnu izmantojiet tikai dienas gaismā vai labā mākslīgajā apgaismojumā.
 6. Pļaujmašīnu iedarbiniet uzmanīgi saskaņā ar norādījumiem un netuvinot pēdas asmenim(-ņiem).
 7. Uzmanieties, lai pļaujmašīnas asmens nesavainotu jūsu kājas un rokas.
 8. Apturiet asmeni(-ņus), ja pļaujmašīna ir jāasver, pārvietojot vai šķērsojot virsmu, kas nav zāle, kā arī pārvietojot pļaujmašīnu uz pļaušanas vietu un no tās.
 9. Iedarbinot motoru, nesasveriet pļaujmašīnu, ja tikai tas nav jādara, lai tā sāktu darboties. Šādā gadījumā nesasveriet to vairāk, kā nepieciešams, un paceliet tikai to daļu, kas nav lietotāja tuvumā. Pirms pļaujmašīnas novietošanas atpakaļ uz zemes vienmēr pārliecinieties, ka abas rokas atrodas darba pozīcijā.
 10. Plaukstas vai pēdas nelieciet rotējošo detaļu tuvumā vai zem tām. Nekad nestāviet izvades atvēruma tuvumā.
 11. Rokturi vienmēr turiet cieši.
 12. Paceļot vai turot pļaujmašīnu, nesatveriet to aiz asmeņiem.
 13. Rokas un kājas netuviniet rotējošiem asmeņiem. Uzmanību! Asmeņi turpina griezties arī pēc pļaujmašīnas izslēgšanas.
 14. Ja pļaujmašīnai ir griešanas augstuma regulēšanas funkcija, nekad nemēģiniet regulēt griešanas augstumu, kamēr pļaujmašīna darbojas.
 15. Pirms piebraucamo ceļu, taku, ceļu un ar granti klātu vietu šķērsošanas atļaidiet slēdža sviru un ļaujiet asmenim apstāties. Izņemiet arī atslēgu, ja atstājat pļaujmašīnu, sniedzoties kaut ko pacelt vai cenšoties noņemt kādu šķērslī, kā arī citu apstākļu gadījumā, kas neļauj pilnībā koncentrēties veicamajam darbam.
 16. Neiedarbiniet pļaujmašīnu, ja stāvat pretī izvades atvērumā.
 17. Nekad neversiet izvadīto materiālu pret citiem cilvēkiem. Materiālu nedrīkst izvadīt pret sienu vai kādu citu šķērslī. Materiāls pēc rikošeta var lidot operatora virzienā. Šķērsojot akmeņainas virsmas, apstādiniet asmeni.
 18. Nevelciet pļaujmašīnu atpakaļgaitā, ja tikai tas nav absolūti nepieciešams. Ja esat spiests vilkt pļaujmašīnu atpakaļgaitā prom no žoga vai cita šķēršļa, vispirms un arī kustības laikā skatieties uz leju un aizmuguri.
 19. Pirms zāles uztvērēja izņemšanas izslēdziet motoru un uzgaidiet, līdz asmens ir pilnībā apstājies. Nemiet vērā, ka asmens pēc izslēgšanas turpina kustēties inerces dēļ.
 20. Izmantojot ierīci dubļainā vietā, uz mitras sliņas virsmas vai slidenā vietā, raugieties, lai kājām būtu stabils atbalsts.
 21. Centieties neestrādāt grūti apstrādājamā vidē, kur var ātri nogurt.
 22. Neizmantojiet pļaujmašīnu sliktos laikapstākļos, kad ir ierobežota redzamība. Pretējā gadījumā iespējams nokrišanas risks vai nepareiza ekspluatācija sliktas redzamības dēļ.
 23. Negremdējiet ierīci peļķē.
 24. Ja lietus dēļ pie sūkšanas atveres (ventilācijas atveres) pieļip slapjas lapas vai dubļi, noņemiet tos.
 25. Neizmantojiet ierīci sniegā.
 26. Ja nogriezta zāle ir mitra, tā, visticamāk, aizsprostos ierīces iekšpusi. Regulāri pārbaudiet ierīces stāvokli un, ja nepieciešams, noņemiet pielīpušo zāli.
 27. Darbarīka izmantošanas laikā pievērsiet uzmanību caurulēm un vadiem.
- Apkope un glabāšana**
1. Regulāri pārbaudiet pļaujmašīnu un veiciet tās apkopi.
 2. Visus uzgriežņus, bultskrūves un skrūves uzturiet cieši pievilktus, lai aprīkojums aizvien būtu drošā darba stāvoklī.
 3. Regulāri pārbaudiet, vai zāles grozs nav nodilis vai nolietojies. Kad ierīci liekat glabāšanā, pārbaudiet, vai zāles grozs ir tukšs. Nodilušu zāles grozu drošības nolūkā nomainiet pret jaunu rūpnīcas rezerves grozu.
 4. Izmantojiet tikai šajā rokasgrāmatā norādītos ražotāja oriģinālos asmeņus.
 5. Uzmanieties, regulējot pļaujmašīnu, lai pirksti neiesprūstu starp ierīces kustīgajiem asmeņiem un fiksētajām daļām.
 6. Bieži pārbaudiet, vai stiprinājuma skrūve pievilkta pietiekami cieši.
 7. Pirms novietošanas glabātavā ļaujiet pļaujmašīnai atdzist.
 8. Veicot asmeņu apkopi, ņemiet vērā, ka, lai gan barošanas avots ir izslēgts, asmeņus joprojām var pārvietot.
 9. Nekad neizņemiet un neizjauciet drošības ierīces. Regulāri pārbaudiet, vai tās darbojas pareizi. Nekad neveiciet darbības, kas varētu traucēt drošības ierīces darbību vai samazināt aizsardzību, ko sniedz drošības ierīce.

10. Lietus laikā neatstājiet plaujmašīnu ārpus telpām bez uzraudzības.
11. Nemazgājiet ierīci ar augstspiediena ūdens strūklu.
12. Mazgājot ierīci, raugieties, lai akumulators un atslēga ir izņemti un lai akumulatora vāks ir aizvērts, un ūdeni lejiet virzienā uz ierīces apakšpusi, kur ir piestiprināts asmens.
13. Novietojot ierīci glabāšanai, izvairieties no tiešiem saules stariem un lietus un novietojiet to vietā, kur nekļūst karsts vai mitrs.
14. Pārbaudes un apkopes darbus veiciet vietā, kur iespējams izvairīties no lietus.
15. Pēc plaujmašīnas lietošanas noīrieties netīrumus, pilnībā nožāvējiet plaujmašīnu un tikai tad novietojiet to glabāšanā. Atkarībā no sezonas vai apgabala pastāv darbības traucējumu risks sasaušanas dēļ.

Elektrodrošība un akumulatora drošība

1. Akumulatoru(-s) nedrīkst atvērt vai sabojāt. Iztecējušais elektrolīts ir kodīgs un var nodarīt kaitējumu acīm vai ādai. Norijot tas var būt toksisks.
2. Nelādējiet akumulatoru lietū vai mitrās vietās.
3. Nelādējiet akumulatoru ārpus telpām.
4. Neaiztieciot lādētāju, kā arī lādētāja spraudni vai spaiļes ar slapjām rokām.
5. Neveiciet akumulatora nomaiņu lietū.
6. Nesamitriniet izvadu vai akumulatoru ar šķidrumu, piemēram, ūdeni, vai neiegremdējiet akumulatoru. Neatstājiet akumulatoru lietū, kā arī nelādējiet, neizmantojiet vai neglabājiet akumulatoru mitrā vai slapjā vietā. Ja izvads kļūst mitrs vai akumulatorā iekļūst šķidrums, akumulatorā var rasties īsslēgums un pastāv pārkaršanas, aizdegšanas vai sprādziena risks.
7. Pēc akumulatora izņemšanas no ierīces vai lādētāja raugieties, lai akumulatora vāks tiek piestiprināts pie akumulatora, un glabājiet to sausā vietā.
8. Nemainiet akumulatoru ar mitrām rokām.
9. Izvairieties no bīstamas vides. Neizmantojiet ierīci mitrās vai slapjās vietās vai neatstājiet to lietū. Ja ierīcē iekļūš ūdens, palielināsies elektriskā trieciēna risks.
10. Ja akumulatora kasetnē iekļūst ūdens, noteiciet ūdeni un izslaukiet kasetni ar sausu drānu. Pirms lietošanas pilnībā nožāvējiet akumulatora kasetni sausā vietā.

SAGLABĀJIET ŠOS NORĀDĪJUMUS.

▲BRĪDINĀJUMS: NEPIEĻAUJIET to, ka labu iemaņu vai izstrādājuma labas pārzināšanas (darbarīku atkārtoti ekspluatējot) rezultātā vairs stingri neievērojat šī izstrādājuma drošības noteikumus. NEPAREIZI LIETOJOT darbarīku vai neievērojot šajā instrukciju rokasgrāmatā minētos drošības noteikumus, var tikt gūtas smagas traumas.

Svarīgi drošības norādījumi par akumulatora kasetni

1. Pirms akumulatora lietošanas izlasiet visus norādījumus un brīdinājumus, kuri attiecas uz (1) akumulatora lādētāju, (2) akumulatoru un (3) ierīci, kurā tiek izmantots akumulators.
2. Akumulatora kasetni nedrīkst ne pārveidot, ne izjaukt. Citādi var tikt izraisīta aizdegšanās, pārmērīgs karstums vai sprādziens.
3. Ja akumulatora darbības laiks kļuva ievērojami īsāks, nekavējoties pārtrauciet to izmantot. Citādi, tas var izraisīt pārkarsējumu, uzliesmojumu vai pat sprādzienu.
4. Ja elektrolīts nonāk acīs, izskalojiet tās ar tīru ūdeni un nekavējoties griezieties pie ārsta. Tas var izraisīt redzes zaudēšanu.
5. Neradiet īssavienojumu akumulatora kasetnē:
 - (1) Nepieskarieties spaiļēm ar elektrību vadošiem materiāliem.
 - (2) Neuzglabājiet akumulatoru kasetni kopā ar citiem metāla priekšmetiem, tādiem kā naglas, monētas u. c.
 - (3) Nepakļaujiet akumulatora kasetni ūdens vai lietus iedarbībai.
 Akumulatora īssavienojums var radīt spēcīgu strāvas plūsmu, pārkaršanu, uzliesmojumu un pat sabojāt akumulatoru.
6. Neglabājiet un neizmantojiet darbarīku un akumulatora kasetni vietās, kur temperatūra var sasniegt vai pārsniegt 50 °C (122 °F).
7. Nededziniet akumulatora kasetni, pat ja tā ir stipri bojāta vai pilnībā nolietota. Akumulatora kasetne ugunī var eksplodēt.
8. Akumulatora kasetni nedrīkst naglot, griezt, saspīest, mest vai nomest, kā arī pa to nedrīkst sist ar cietu priekšmetu. Šādas darbības var izraisīt aizdegšanos, pārmērīgu karstumu vai sprādzienu.
9. Neizmantojiet bojātu akumulatoru.
10. Uz izmantotajiem litija jonu akumulatoriem attiecas likumdošanas prasības par bīstamiem izstrādājumiem. Komerciālā transportēšanā, ko veic, piemēram, trešās puses, transporta uzņēmumi, jāievēro uz iesaiņojuma un marķējuma norādītās īpašās prasības. Lai izstrādājumu sagatavotu nosūtīšanai, jāsasazina ar bīstamo materiālu speciālistu. Ievērojiet arī citus attiecināmos valsts normatīvus. Vaļējus kontaktus nosedziet ar līmlenti vai citādi pārklājiet, bet akumulatoru iesaiņojiet tā, lai sainītas nevarētu izkustēties.
11. Lai utilizētu akumulatora kasetni, izņemiet to no darbarīka un likvidējiet drošā vietā. Ievērojiet vietējos noteikumus par akumulatora likvidēšanu.
12. Izmantojiet šos akumulatorus tikai ar izstrādājumiem, kurus norādījis Makita. Ievietojot šos akumulatorus nesaderīgos izstrādājumos, var rasties ugunsgrēks, pārmērīgs karstums, tie var uzsprāgt vai no tiem var iztecēt elektrolīts.
13. Ja darbarīks netiks lietots ilgu laiku, no tā jāizņem akumulators.
14. Lietošanas laikā vai pēc tās akumulatora kasetne var uzkrāt siltumu, kas var izraisīt apdegumus vai zemas temperatūras apdegumus. Ar karstu akumulatora kasetni apejieties rūpīgi.

- Nepieskarieties darbarīka izvadam uzreiz pēc lietošanas, jo tas var būt sakarsis un izraisīt apdegumus.
- Neļaujiet akumulatora kasetnes spailēs, atverēs un rievās uzkrāties skaidām, putekļiem vai netīrumiem. Tas var izraisīt sasilšanu, aizdegšanos, sprādzieni un instrumenta vai akumulatora kasetnes nepareizu darbību, un lietotājs var gūt apdegumus vai ievainojumus.
- Neizmantojiet akumulatora kasetni augstsprieguma līniju tuvumā, izņemot gadījumus, kad darbarīks ir piemērots lietošanai augstsprieguma līniju tuvumā. Citādi darbarīks vai akumulatora kasetne var sākt darboties nepareizi vai tikt sabojāti.
- Glabājiet akumulatoru bērnēm nepieejamā vietā.

SAGLABĀJIET ŠOS NORĀDĪJUMUS.

⚠UZMANĪBU: Lietojiet tikai oriģinālos Makita akumulatorus. Ja lietojat neoriģinālus Makita akumulatorus vai pārveidotus akumulatorus, tie var uzsprāgt un izraisīt aizdegšanos, traumas un materiālos zaudējumus. Tīks anulēta arī Makita darbarīka un lādētāja garantija.

Ieteikumi akumulatora kalpošanas laika pagarināšanai

- Uzlādējiet akumulatora kasetni, pirms tā ir pilnībā izlādējusies. Vienmēr, kad ievērojat, ka darbarīka darba jauda zudusi, apturiet darbarīku un uzlādējiet akumulatora kasetni.
- Nekad neuzlādējiet pilnībā uzlādētu akumulatora kasetni. Pārmērīga uzlāde saīsina akumulatora kalpošanas laiku.
- Uzlādējiet akumulatora kasetni istabas temperatūrā 10 °C - 40 °C. Karstai akumulatora kasetnei pirms uzlādes ļaujiet atdzist.
- Kad akumulatora kasetne netiek izmantota, izņemiet to no darbarīka vai lādētāja.
- Uzlādējiet litija jonu akumulatora kasetni, ja to ilgstoši nelietosit (vairāk nekā sešus mēnešus).

MONTĀŽA

⚠BRĪDINĀJUMS: Pirms darbošanās ap plaujmašīnu vienmēr pārbaudiet, vai bloķēšanas atslēga un akumulatora kasetne ir izņemta. Ja bloķēšanas atslēgu un akumulatora kasetni neizņem, tad, plaujmašīnai nejauši ieslēdzoties, var gūt smagas traumas.

⚠BRĪDINĀJUMS: Neieslēdziet plaujmašīnu, ja tā nav pilnībā salikta. Nejauši ieslēdzot daļēji saliktu plaujmašīnu, var gūt smagas traumas.

Roktura uzstādīšana

IEVĒRĪBAI: Uzstādot rokturus, raugieties, lai neiespiestu vadu starp rokturiem. Ja vads ir bojāts, plaujmašīnas slēdzis, iespējams, nedarbosies.

- Savietojiet atveri apakšējā rokturī ar atveri augšējā rokturī, ievietojiet bultskrūvi no ārpusēs un tad pievelciet spārnuzgriezni no iekšpusēs. Šādu procedūru veiciet arī otrā pusē.

Modelim DLM481/DLM539

- **Att.1:** 1. Bultskrūve 2. Spārnuzgrieznis
3. Apakšējais rokturis 4. Augšējais rokturis

Modelim DLM480/DLM538

- **Att.2:** 1. Bultskrūve 2. Spārnuzgrieznis
3. Apakšējais rokturis 4. Augšējais rokturis

- Pagrieziet kloķi par 90°, vienlaikus velkot apakšējā roktura kloķi, lai atbrīvotu bloķēšanas tapu. Šādu procedūru veiciet arī otrā pusē. Paceliet rokturi un pēc tam pagrieziet kloķi abās pusēs par 90°. Pārliecinieties, ka kloķi ir stingri nofiksēti.

- **Att.3:** 1. Kloķis

PIEZĪME: Atbalstot rokturi, kloķa vilkšanas laikā ir vieglāk atbrīvot bloķēšanas tapu.

Mulčēšanas spraudņa noņemšana

- Atveriet aizmugurējo pārsegu.
 - Mazliet paceliet mulčēšanas spraudni un pēc tam izņemiet to.
- **Att.4:** 1. Aizmugurējais pārsegs
► **Att.5:** 1. Mulčēšanas spraudnis

Zāles groza montāža

- Paceliet zāles groza augšējo skavu.
 - Ievietojiet rāmi zāles grozā līdz galam, turot rāmja rokturi.
- **Att.6:** 1. Augšējā skava
► **Att.7:** 1. Rokturis

IEVĒRĪBAI: Neievietojiet rokturi zāles grozā. Pārliecinieties, vai ievietojat rāmi gar zāles groza šuvi.

- Pārliecinieties, vai zāles groza stūri nav ieliekušies.
 - Atveriet augšējo skavu un piestipriniet to rānim.
 - Pievienojiet visas pārējās skavas, kā parādīts attēlā. Pārliecinieties, vai visi skavas ir droši piestiprinātas pie rāmja.
- **Att.8**
► **Att.9**
► **Att.10:** 1. Skava

Zāles groza uzstādīšana vai noņemšana

Lai uzstādītu zāles grozu, rīkojieties, kā norādīts tālāk.

- Atveriet aizmugurējo pārsegu.
 - Turiet zāles groza rokturi un uzāķējiet zāles grozu uz plaujmašīnas korpusa stieņa, kā redzams attēlā.
- **Att.11:** 1. Aizmugurējais pārsegs
► **Att.12:** 1. Zāles grozs 2. Rokturis 3. Stienis

Lai noņemtu zāles grozu, atveriet aizmugurējo pārsegu un, turot aiz roktura, noņemiet zāles grozu.

Mulčēšanas spraudņa piestiprināšana

1. Atveriet aizmugurējo pārsegu un izņemiet zāles grozu.
► **Att.13:** 1. Aizmugurējais pārsegs 2. Zāles grozs
2. Pievienojiet mulčēšanas spraudni, piespiežot to līdz galam, lai mulčēšanas spraudņa izvīrītās daļas iekļautos ierīces atverēs.
► **Att.14:** 1. Mulčēšanas spraudnis 2. Izvīrējums

FUNKCIJU APRAKSTS

Akumulatora kasetnes uzstādīšana un izņemšana

⚠UZMANĪBU: Pirms akumulatora kasetnes uzstādīšanas vai izņemšanas vienmēr izslēdziet ierīci.

⚠UZMANĪBU: Uzstādot vai izņemot akumulatora kasetni, cieši satveriet darbarīku un akumulatora kasetni. Ja darbarīks un akumulatora kasetne netiek turēti cieši, tie var izkrist no rokām, tādējādi radot akumulatora kasetnes bojājumus vai izraisot traumas.

⚠UZMANĪBU: Pirms lietošanas pārbaudiet, vai akumulatora vāks ir bloķēts. Citādi dubļi, netīrumi vai ūdens var izraisīt izstrādājuma vai akumulatora kasetnes bojājumus.

⚠UZMANĪBU: Vienmēr ievietojiet akumulatora kasetni līdz galam, lai nav redzams sarkanās krāsas indikators. Citādi akumulators var nejauši izkrist no darbarīka un radīt jums vai apkārtējiem traumas.

⚠UZMANĪBU: Neievietojiet akumulatora kasetni ar spēku. Ja kasetne neslīd ietvarā viegli, tā nav pareizi ielikta.

⚠UZMANĪBU: Ieliekt vai izņemt akumulatora kasetni, cieši turiet akumulatora vāku.

PIEZĪME: Darbarīks nedarbojas tikai ar vienu akumulatora kasetni.

Darbības akumulatora kasetnes uzstādīšanai

1. Pavelciet bloķēšanas sviru un tad atveriet akumulatora vāku.
► **Att.15:** 1. Akumulatora vāks 2. Bloķēšanas svira
2. Savietojiet akumulatora kasetnes mēlīti ar atveri uz darbarīka un bīdiet kasetni, līdz tā ar nelielu klikšķi nofiksējas vietā.
► **Att.16:** 1. Akumulatora kasetne
3. Bloķēšanas atslēgu ievietojiet attēlā redzamajā vietā līdz galam.
► **Att.17:** 1. Bloķēšanas atslēga
4. Aizveriet akumulatora vāku un bīdiet, līdz to nofiksē fiksācijas svira.

Akumulatora kasetnes izņemšana

1. Pavelciet bloķēšanas sviru uz augšu un atveriet akumulatora pārsegu.
2. Izvelciet akumulatora kasetni no darbarīka, vienlaikus bīdot pogu kasetnes priekšpusē.
3. Izvelciet bloķēšanas atslēgu.
4. Aizveriet akumulatora vāku.

Darbarīka/akumulatora aizsardzības sistēma

Darbarīks ir aprīkots ar darbarīka/akumulatora aizsardzības sistēmu. Šī sistēma automātiski izslēdz motora barošanu, tādējādi pagarinot darbarīka un akumulatora darbību. Lietošanas laikā darbarīks automātiski pārstās darboties, ja darbarīks vai akumulators atradīsies kādā no tālāk norādītajiem apstākļiem.

Aizsardzība pret pārslodzi

Ja akumulatoram ekspluatācijas laikā jānodrošina pārmērīgi liela strāva, darbarīks automātiski pārstāj darboties, un galvenais jaudas indikators mirgo zaļā krāsā. Šādā gadījumā izslēdziet darbarīku un pārtrauciet darbību, kas izraisīja pārslodzi. Pēc tam ieslēdziet darbarīku, lai atsāktu darbu.

Aizsardzība pret pārkaršanu

Ja darbarīks vai akumulators ir pārkaršis, darbarīks automātiski pārstāj darboties, un galvenais jaudas indikators deg sarkanā krāsā. Šādā gadījumā ļaujiet darbarīkam un akumulatoram atdzist un tikai pēc tam atkal ieslēdziet darbarīku.

Aizsardzība pret akumulatora pārmērīgu izlādi

Ja atlikusī akumulatora jauda nav pietiekama, darbarīks automātiski pārstāj darboties, un galvenais jaudas indikators mirgo sarkanā krāsā. Šādā gadījumā izņemiet akumulatoru no darbarīka un uzlādējiet akumulatora kasetnes vai nomainiet akumulatora kasetnes ar pilnībā uzlādētām.

Aizsardzība pret citiem cēloņiem

Aizsardzības sistēma ir paredzēta arī pret citiem cēloņiem, kas varētu radīt ierīces bojājumus, un nodrošina automātisku ierīces apturēšanu. Ja ierīces darbība ir īslaicīgi apturēta vai tā pārstājusi darboties, veiciet visas tālāk norādītās darbības, lai novērstu cēloņus.

1. Izslēdziet un atkal ieslēdziet ierīci, lai to atkārtoti iedarbinātu.
2. Uzlādējiet akumulatoru(-s) vai nomainiet to(-s) ar uzlādētu(-iem) akumulatoru(-iem).
3. Ļaujiet ierīcei un akumulatoram(-iem) atdzist.

Ja pēc aizsardzības sistēmas atjaunošanas nav uzlabojumu, sazinieties ar vietējo Makita tehniskās apkopes centru.

IEVĒRĪBAI: Ja ierīce izslēdzas kāda iepriekš neaprašīta iemesla dēļ, skatiet sadaļu par problēmu novēršanu.

Atlikušās akumulatora jaudas indikators

► Att.18: 1. Akumulatora indikators









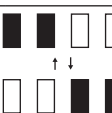
Kad atlikusi akumulatora jauda ir zema, attiecīgā akumulatora pusē sāk mirgot akumulatora indikators. Ja ierīci turpina lietot, tā pārstāj darboties un deg akumulatora indikators. Šādā gadījumā uzlādējiet akumulatora kasetni.

Atlikušās akumulatora jaudas indikators

Tikai akumulatora kasetnēm ar indikatoru

Nospiediet akumulatora kasetnes pārbaudes pogu, lai pārbaudītu akumulatora atlikušo uzlādes līmeni. Indikatoru iedegsies uz dažām sekundēm.

► Att.19: 1. Indikatora lampas 2. Pārbaudes pogu

Indikatora lampas			Atlikusī jauda
 Iededzies	 Izslēgts	 Mirgo	
			No 75% līdz 100%
			No 50% līdz 75%
			No 25% līdz 50%
			No 0% līdz 25%
			Uzlādējiet akumulatoru.
			Iespējama akumulatora kļūme.

PIEZĪME: Reālā jauda var nedaudz atšķirties no norādītās atkarībā no lietošanas apstākļiem un apkārtējās temperatūras.

PIEZĪME: Akumulatora aizsardzības sistēmas darbības laikā mirgo pirmais (kreisais malējais) indikators.

Galvenais barošanas slēdzis

▲BRĪDINĀJUMS: Vienmēr, kad darbarīku neliekojat, izslēdziet galveno elektropadeves slēdzi.

► Att.20: 1. Galvenais jaudas indikators 2. Galvenais ieslēgšanas slēdzis

Lai ieslēgtu ierīci, nospiediet galveno barošanas slēdzi. Galvenais jaudas indikators iedegas zaļā krāsā. Lai izslēgtu ierīci, vēlreiz nospiediet galveno barošanas slēdzi.

PIEZĪME: Ja galvenais jaudas indikators iedegas sarkanā krāsā vai sāk mirgot sarkanā vai zaļā krāsā, skatiet norādes par darbarīka/akumulatora aizsardzības sistēmu.

PIEZĪME: Šim darbarīkam ir automātiska izslēgšanas funkcija. Lai novērstu nejaušu iedarbināšanu, galvenais barošanas slēdzis automātiski izslēdzas, ja noteiktā laikposmā pēc galvenā barošanas slēdža ieslēgšanas slēdža svira un piedziņas svira (ja tā uzstādīta) netiek pavilkta.

Slēdža darbība

▲BRĪDINĀJUMS: Pirms akumulatora kasetnes uzstādīšanas vienmēr pārbaudiet, vai slēdža svira darbojas pareizi un pēc atlaišanas atgriežas sākotnējā stāvoklī. Lietojot darbarīku, kura slēdzis nedarbojas pareizi, tas var kļūt nevadāms un radīt nopietnas traumas.

PIEZĪME: Pļaujmašīna nesāk darboties bez slēdža pogas nospiešanas pat tad, ja ir pārbīdīta slēdža svira.

PIEZĪME: Mēģinot pļaut garu, mitru zāli, pārslodzes dēļ pļaujmašīnu var neizdoties iedarbināt. Šādā gadījumā palieliniet pļaušanas augstumu.

Šī pļaujmašīna ir aprīkota ar bloķēšanas atslēgu un roktura slēdzi. Ja pamanāt, ka bloķēšanas atslēga vai slēdzis darbojas neparasti, nekavējoties pārtrauciet ekspluatāciju un uzticiet veikt to pārbaudi tuvākajā Makita pilnvarotā servisa centrā.

Modelim DLM481/DLM539

1. Ievietojiet akumulatoru kasetnes. Ievietojiet bloķēšanas atslēgu un tad aizveriet akumulatora vāku.
2. Nospiediet galveno barošanas slēdzi.
3. Pavelciet slēdža sviru pret sevi, vienlaicīgi turot nospiestu slēdža pogu. Atlaidiet slēdža pogu, tiklīdz motors ir iedarbināts.

► Att.21: 1. Slēdža poga 2. Slēdža svira

4. Turot nospiestu slēdža sviru, spiediet piedziņas sviru uz priekšu un turiet, lai nodrošinātu piedziņu aizmugures riteņiem.

► Att.22: 1. Piedziņas svira

PIEZĪME: Piedziņu aizmugures riteņiem var nodrošināt, turot piedziņas sviru nospiestu uz priekšu, bet nevelkot slēdža sviru.

5. Atlaidiet piedziņas sviru un slēdža sviru, lai apturētu darbarīku.

Modelim DLM480/DLM538

1. Ievietojiet akumulatoru kasetnes. Ievietojiet bloķēšanas atslēgu un tad aizveriet akumulatora vāku.
2. Nospiediet galveno barošanas slēdzi.
3. Pavelciet slēdža sviru pret sevi, vienlaicīgi turot nospiestu slēdža pogu. Atlaidiet slēdža pogu, tiklīdz motors ir iedarbināts.

► Att.23: 1. Slēdža poga 2. Slēdža svira

4. Lai apturētu motoru, atlaidiet slēdža sviru.

Pļaušanas augstuma regulēšana

▲BRĪDINĀJUMS: Nekad nelieciet rokas un kājas zem pļaujmašīnas, kad regulējat pļaušanas augstumu.

▲BRĪDINĀJUMS: Pirms lietošanas vienmēr pārbaudiet, vai svira pilnībā nofiksējusies rievā.

Pļaušanas augstumu var regulēt diapazonā no 20 mm līdz 100 mm.

Izņemiet atslēgu un tad velciet pļaušanas augstuma regulēšanas sviru uz āru no pļaujmašīnas korpusa, tad novietojiet to vēlamajā pļaušanas augstumā.

► Att.24: 1. Pļaušanas augstuma regulēšanas svira

Tabulā tālāk ir redzama attiecība starp skaitli, kas norādīts uz pļaujmašīnas korpusa, un aptuveno pļaušanas augstumu.

Skaitlis	Pļaušanas augstums
1	20 mm
2	26 mm
3	32 mm
4	40 mm
5	49 mm
6	59 mm
7	70 mm
8	81 mm
9	92 mm
10	100 mm

Ar vienu roku turiet apakšējo rokturi, ar otru — virziet pļaušanas augstuma regulēšanas sviru.

► **Att.25:** 1. Pļaušanas augstuma regulēšanas svira
2. Apakšējais rokturis

PIEZĪME: Pļaušanas augstumu norādošie skaitļi jāuzskata tikai par informatīviem. Mauriņa vai grunts stāvokļa dēļ faktiskais zāliena augstums var nedaudz atšķirties no iestatītā augstuma.

PIEZĪME: Lai noregulētu nepieciešamo augstumu, zāles pļaušanu izmēģiniet mazāk redzamā vietā.

Zāles līmeņa indikators

Zāles līmeņa indikators norāda nopļautās zāles daudzumu. Ja zāles grozs nav pilns, indikators asmeņu kustības laikā pārvietojas.

► **Att.26:** 1. Zāles līmeņa indikators

Ja zāles grozs ir gandrīz pilns, indikators asmeņu kustības laikā nepārvietojas. Šādā gadījumā nekavējoties pārtrauciet darbu un iztukšojiet grozu.

► **Att.27:** 1. Zāles līmeņa indikators

PIEZĪME: Šā indikatora rādījums ir aptuvens. Groza iekšpuses stāvokļa dēļ indikators var nedarboties pareizi.

Rokturu augstuma regulēšana

Rokturu augstumu var regulēt divos līmeņos.

1. Turiet apakšējo rokturi un pēc tam pagrieziet kloķi par 90°, vienlaikus velkot apakšējā roktura kloķi, lai atbrīvotu bloķēšanas tapu. Šādu procedūru veiciet arī otrā pusē.

► **Att.28:** 1. Apakšējais rokturis 2. Kloķis

PIEZĪME: Atbalstot rokturi, kloķa vilkšanas laikā ir vieglāk atbrīvot bloķēšanas tapu.

2. Noregulējiet roktura augstumu un pēc tam pagrieziet kloķi abās pusēs par 90°. Pārliecinieties, ka kloķi ir stingri nofiksēti.

► **Att.29:** 1. Kloķis

Pārvietošanās ātruma regulēšana

Modelim DLM481/DLM539

► **Att.30:** 1. Ātruma svira

Pārvietošanās ātrumu var regulēt ar ātruma sviru. Lai samazinātu ātrumu, velciet sviru uz savu pusi; lai palielinātu ātrumu, grieziet sviru uz priekšu.

Mulčēšanas spraudņa lietošana

Mulčēšanas spraudnis ļauj atgriezt nopļauto zāli zemē, nesavācot to zāles grozā. Darbinot darbarīku, kuram ir uzstādīts mulčēšanas spraudnis, noteikti noņemiet zāles grozu.

IEVĒRĪBAI: Lietojot ierīci, kurai ir uzstādīts mulčēšanas spraudnis, pārliecinieties, ka zāles garums pēc griešanas ir vismaz 30 mm un nogrieztais zāles garums ir 15 mm vai mazāk.

► **Att.31:** (1) 30 mm un vairāk (2) 15 mm un mazāk

Aizmugures iztukšotāja izmantošana

Aizmugures iztukšotājs ļauj nopļauto zāli izmest uz zemes no darbarīka aizmugures, nesavācot to zāles grozā.

Darbinot ierīci ar aizmugures iztukšotāju, noņemiet zāles grozu un mulčēšanas spraudni un aizveriet aizmugurējo pārsegu.

Elektronika

Lai atvieglotu lietošanu, ierīce ir aprīkota ar elektroniskām funkcijām.

- Braukšanas laidenā uzsākšana
Laidenas ieslēgšanas funkcija mazina iedarbināšanas triecienu, un ierīce uzsāk darbību vienmērīgi.
- Elektrobremze
Šis darbarīks ir aprīkots ar elektrobremzi. Ja pastāvīgi notiek tā, ka darbarīka pļaujmašīnas asmeņi pēc slēdža sviras atlaišanas ātri netiek apturēti, nododiet darbarīku remonta veikšanai Makita pilnvarotā servisa centrā.

EKSPLUATĀCIJA

Pļaušana

▲BRĪDINĀJUMS: Pirms pļaušanas no pļaušanas vietas aizvāciet žaģarus un akmeņus. Pļaušanas vietu atīriet arī no nezālēm.

▲BRĪDINĀJUMS: Lietojot pļaujmašīnu, vienmēr valkājiet aizsargbrilles vai brilles ar sānu aizsargiem.

▲UZMANĪBU: Ja nopļautā zāle vai svešķermeņi nobloķē pļaujmašīnas korpusa iekšpusi, izņemiet atslēgu un akumulatora kasetni, un noteikti uzvelciet cimdus, pirms noņemat zāli vai svešķermeņus.

IEVĒRĪBAI: Lietojiet šo ierīci tikai zāles pļaušanai. Nepļaujiet ar šo ierīci nezāles.

► **Att.32**

Pļaušanas laikā cieši ar abām rokām turiet rokturi. Pļaušanas standarta ātrums ir aptuveni 7–14 metri 10 sekundēs.

► **Att.33**

PIEZĪME: Pļaujot garu vai biezu zāli, ja pēc nopļaušanas tiek konstatēts nevienmērīgs zāles garums vai slikts kopējais izskats vai arī pļaušanas laikā tiek konstatēta motora darbības ātruma samazināšanās, samaziniet pļaušanas ātrumu līdz mazākam, nekā ieteikts šajā rokasgrāmatā, vai palieliniet pļaušanas augstumu.

Priekšējo riteņu centra līnijas ir pļaušanas platuma vadlīnijas. Izmantojot centra līnijas kā vadlīnijas, pļaujiet joslās. Lai zālienu nopļautu līdzeni, pļaušanas joslai par vienu pusi vai trešdaļu jāpārklājas ar iepriekšējo joslu.

► **Att.34:** 1. Pļaušanas platums 2. Pārklāšanās zona 3. Centra līnija

Pļaušanas virzienu katru reizi mainiet, lai zāles pļāvuma raksts neveidotos tikai vienā virzienā.

► **Att.35**

Periodiski pārbaudiet zāles groza saturu. Iztukšojiet grozu, pirms tas ir pilns. Pirms regulārās pārbaudes apturiet pļaujmašīnu, tad izņemiet bloķēšanas atslēgu un akumulatora kasetni.

IEVĒRĪBAI: Izmantojot pļaujmašīnu ar pilnu zāles grozu, asmeņi nevarēs brīvi griezties un motoram radīsies papildu slodze, kas var izraisīt bojājumus.

Garas zāles pļaušana

Nemēģiniet uzreiz nopļaut garu zāli. Tā vietā pļaujiet zālienu pakāpeniski. Starp pļaušanas reizēm uzgaidiet vienu vai divas dienas, līdz zāle visur ir vienādi gara.

► **Att.36**

PIEZĪME: Ja garu zāli uzreiz nopļauj īsu, tas var izraisīt zāliena iznīkšanu. Nogriezta gara zāle var arī iesprūst pļaujmašīnas korpusā.

PIEZĪME: Ja pēc nopļaušanas tiek konstatēts nevienmērīgs zāles garums vai slikts kopējais izskats vai arī pļaušanas laikā tiek konstatēta motora darbības ātruma samazināšanās, samaziniet pļaušanas ātrumu vai palieliniet pļaušanas augstumu.

Zāles groza iztukšošana

BRĪDINĀJUMS: Lai nepieļautu negadījumus, regulāri pārbaudiet, vai zāles grozs nav bojāts vai nodilis. Ja nepieciešams, nomainiet zāles grozu.

1. Atļaidiet slēdža sviru un piedziņas sviru (modelim DLM481/DLM539) vai atļaidiet slēdža sviru (modelim DLM480/DLM538).

2. Izņemiet bloķēšanas atslēgu.

3. Atveriet aizmugurējo pārsegu un aiz roktura izņemiet zāles grozu.

► **Att.37:** 1. Aizmugurējais pārsegs 2. Rokturis 3. Zāles grozs

4. Iztukšojiet zāles grozu.

TEHNISKĀ APKOPE

BRĪDINĀJUMS: Vienmēr no pļaujmašīnas izņemiet atslēgu un akumulatora kasetni pirms pļaujmašīnas glabāšanas vai nešanas, vai pirms veicat pārbaudes vai apkopes darbus.

BRĪDINĀJUMS: Ja pļaujmašīnu nelietojat, vienmēr izņemiet bloķēšanas atslēgu. Bloķēšanas atslēgu glabājiet drošā, bērniem neaizsniiedzamā vietā.

BRĪDINĀJUMS: Veicot pārbaudi vai apkopi, valkājiet cimdus.

BRĪDINĀJUMS: Veicot pļaujmašīnas apkopes vai pārbaudes darbus, vienmēr valkājiet aizsargbrilles vai brilles ar sānu aizsargiem.

IEVĒRĪBAI: Nekad neizmantojiet gazoļu, benzīnu, atšķaidītāju, spirtu vai līdzīgus šķidrumus. Tas var radīt izbalēšanu, deformāciju vai plaisas.

Lai saglabātu izstrādājuma DROŠU un UZTICAMU darbību, remontdarbus, apkopi un regulēšanu uzticiet veikt tikai Makita pilnvarotam vai rūpnīcas apkopes centram, un vienmēr izmantojiet tikai Makita rezerves daļas.

Apkope

1. Izņemiet atslēgu un akumulatora kasetnes, pēc tam aizveriet akumulatora vāku.

2. Novietojiet pļaujmašīnu uz sāna. Notīriet zāles atgriezumus, kas sakrājušies pļaujmašīnas apakšā.

3. Ūdeni lejiet virzienā uz ierīces apakšpusi, kur plešpirināts asmens.

IEVĒRĪBAI: Nemazgājiet ierīci ar augstspiediena ūdens strūklu.

4. Pārbaudiet, vai visi uzgriežņi, bultskrūves, skrūves u. c. ir pievilkti cieši.

5. Pārbaudiet, vai kustīgās daļas nav bojātas, salūzušas vai nodilušas. Bojātās vai trūkstošās daļas jāremontē vai jāaizvieto.

6. Glabājiet pļaujmašīnu drošā, bērniem nepieejamā vietā.

Modelim DLM481/DLM539

IEVĒRĪBAI: Neļaujiet ūdeni vietā, kas parādīta attēlā. Ja uz motora bloka uzlīst ūdens, ir iespējami darbarīka darbības traucējumi.

► **Att.38:** 1. Vieta, kur ūdens nedrīkst uzlīst

Modelim DLM481/DLM539

IEVĒRĪBAI: Neļaujiet ūdeni uz ierīces, kamēr tā ir stāvus pozīcijā, kā parādīts attēlā. Ja ierīce ir stāvus pozīcijā, ūdens var ielīst motora mezglā un izraisīt ierīces darbības traucējumus.

► **Att.39**

Pļaujmašīnas pārnēsāšana

⚠UZMANĪBU: Pirms pārnēsājat zāles pļaujmašīnu, pārlicinieties, ka ir izņemta akumulatora kasetne un bloķēšanas atslēga.

Pārnēsājot zāles pļaujmašīnu, diviem cilvēkiem jātur tā aiz aizmugurējā roktura un apakšējās turēšanas detaļas pļaujmašīnas priekšpusē, kā parādīts attēlā.

► **Att.40:** 1. Apakšējā turēšanas detaļa 2. Aizmugures rokturis

Glabāšana

⚠UZMANĪBU: Novietojot ierīci stāvus pozīcijā, novietojiet to uz līdzenas un stabilas virsmas. Ja ierīci novieto uz nestabilas virsmas, tā var apgāzties un izraisīt ievainojumus.

Glabājiet pļaujmašīnu iekštelpās vēsā, sausā un slēgtā vietā. Neglabājiet pļaujmašīnu un lādētāju vietās, kur temperatūra var sasniegt vai pārsniegt 40 °C.

1. Noņemiet akumulatora kasetni un bloķēšanas atslēgu.
 2. Pagrieziet kloķi par 90°, vienlaikus velkot apakšējā roktura kloķi, lai atbrīvotu bloķēšanas tapu. Šādu procedūru veiciet arī otrā pusē un pēc tam nolokiet rokturi.
- **Att.41:** 1. Kloķis

PIEZĪME: Atbalstot rokturi, kloķa vilkšanas laikā ir vieglāk atbrīvot bloķēšanas tapu.

3. Pagrieziet kloķi abās pusēs par 90°. Pārlicinieties, ka kloķi ir stingri nofiksēti.

Modelim DLM481/DLM539

► **Att.42:** 1. Kloķis

Modelim DLM480/DLM538

► **Att.43:** 1. Kloķis

IEVĒRĪBAI: Nolokot rokturi, uzmanieties, lai neiespiestu vadus.

4. Atskrūvējiet spārnuzgriežņus abās pusēs un tad nolokiet augšējo rokturi, kā parādīts attēlā.

► **Att.44:** 1. Spārnuzgriežņis 2. Augšējais rokturis

5. Novietojiet ierīci stāvus pozīcijā.

PIEZĪME: Novietojot pļaujmašīnu vertikālā stāvoklī, neturiet tikai aiz roktura, bet turiet aiz pļaujmašīnas korpusa un roktura.

6. Uzglabājiet zāles grozu, kā parādīts attēlā.

► **Att.45:** 1. Zāles grozs

► **Att.46:** 1. Zāles grozs

Pļaujmašīnas asmens noņemšana vai uzstādīšana

⚠BRĪDINĀJUMS: Asmens pēc slēdža atlaišanas turpina kustēties pēc inerces. Neveiciet nekādas darbības, kamēr asmens nav pilnībā apstājies.

⚠BRĪDINĀJUMS: Uzstādot vai noņemot asmeni, vienmēr izņemiet bloķēšanas atslēgu un akumulatora kasetni. Neizņemot bloķēšanas atslēgu un akumulatora kasetni, var gūt smagas traumas.

⚠BRĪDINĀJUMS: Rīkojoties ar asmeni, vienmēr valkājiet cimdus.

IEVĒRĪBAI: Noņemot vai uzstādot pļaujmašīnas asmeni, izmantojiet pļaujmašīnas komplektā iekļauto galatslēgu.

Pļaujmašīnas asmens noņemšana

1. Novietojiet pļaujmašīnu uz sāniem tā, lai pļaušanas augstuma regulēšanas svira atrastos apakšpusē.
 2. Lai bloķētu asmeni, līdz galam ievietojiet tapu pļaujmašīnas korpusa atverē.
 3. Ar galatslēgu 17 grieziet bultskrūvi pretēji pulksteņrādītāju kustības virzienam.
- **Att.47:** 1. Pļaujmašīnas asmens 2. Tapa 3. Galatslēga

4. Izskrūvējiet bultskrūvi un tad noņemiet pļaujmašīnas asmeni.

► **Att.48:** 1. Asmens stiprinājums 2. Pļaujmašīnas asmens 3. Bultskrūve 4. Izvirzījums

IEVĒRĪBAI: Uzstādot pļaujmašīnas asmeni, pārlicinieties, ka izvirzījumi uz asmens stiprinājuma ievietojas atverēs uz pļaujmašīnas asmens.

Pļaujmašīnas asmens uzstādīšana

⚠BRĪDINĀJUMS: Uzmanīgi uzstādiet pļaujmašīnas asmeni. Tam ir augšējā/apakšējā virsma.

⚠BRĪDINĀJUMS: Cieši pievelciet bultskrūvi pulksteņrādītāju kustības virzienā, lai nostiprinātu asmeni.

⚠BRĪDINĀJUMS: Pārlicinieties, ka pļaujmašīnas asmens un visas fiksējošās daļas ir pareizi uzstādītas un cieši pievilktas.

⚠BRĪDINĀJUMS: Nomainot asmeņus, vienmēr izpildiet šajā rokasgrāmatā ietvertos norādījumus.

IEVĒRĪBAI: Pļaujmašīnas asmens uzstādīšanas laikā pievelkot skrūvi, izmantojiet 19–29 N•m pievilšanas griezes momentu (šīs ir orientējošas vērtības).

IEVĒRĪBAI: Pēc pļaujmašīnas asmeņu uzstādīšanas izņemiet tapu no pļaujmašīnas korpusa.

Lai uzstādītu pļaujmašīnas asmeņus, noņemšanas darbības izpildiet pretējā secībā.

PROBLĒMU NOVĒRŠANA

Pirms vienošanās par remontu vispirms veiciet savu pārbaudi. Ja konstatējat problēmu, kas rokasgrāmatā nav aprakstīta, nemēģiniet izjaukt darbarīku. Tā vietā vērsieties Makita pilnvarotā servisa centrā un remontam vienmēr izmantojiet tikai Makita rezerves daļas.

Neatbilstošas darbības stāvoklis	Iespējamais iemesls (kļūme)	Risinājums
Pļaujmašīna nesāk darboties.	Nav uzstādītas divas akumulatora kasetnes.	Ievietojiet divas uzlādētas akumulatora kasetnes.
	Akumulatora kļūme (zems spriegums)	Uzlādējiet akumulatora kasetni. Ja uzlāde nav efektīva, nomainiet akumulatora kasetni.
	Nav ievietota bloķēšanas atslēga.	Ievietojiet bloķēšanas atslēgu.
Motors izslēdzas pēc neilgas darbināšanas.	Akumulatora uzlādes līmenis ir par zemu.	Uzlādējiet akumulatora kasetni. Ja uzlāde nav efektīva, nomainiet akumulatora kasetni.
	Griešanas augstums ir par mazu.	Palieliniet griešanas augstumu.
	Nopļautā zāle ir sakrājusies pļaujmašīnā.	Iztīriet sakrājušos zāli no pļaujmašīnas.
Motors nesasniedz maksimālo apgriezumu skaitu minūtē.	Akumulatora kasetne nav uzstādīta pareizi.	Uzstādiet akumulatora kasetni, kā aprakstīts šajā rokasgrāmatā.
	Samazinās akumulatora jauda.	Uzlādējiet akumulatora kasetni. Ja uzlāde nav efektīva, nomainiet akumulatora kasetni.
	Piedziņas sistēma nedarbojas pareizi.	Lūdziet veikt remontu vietējā pilnvarotā apkopes centrā.
Pļaujmašīnas asmens negriežas: ⇒ nekavējoties apturiet pļaujmašīnu!	Pie asmens iesprūdis kāds svešķermenis, piemēram, zars.	Izņemiet svešķermeni.
	Piedziņas sistēma nedarbojas pareizi.	Lūdziet veikt remontu vietējā pilnvarotā apkopes centrā.
Pārmērīga vibrācija: ⇒ nekavējoties apturiet pļaujmašīnu!	Asmens nav nolīmeņots, ir pārmērīgi vai nevienmērīgi nodilis.	Nomainiet asmeni.

PAPILDU PIEDERUMI

⚠ UZMANĪBU: Kopā ar šajā rokasgrāmatā aprakstīto Makita darbarīku ieteicams izmantot norādītos piederumus vai palīgierīces. Izmantojot citus piederumus vai palīgierīces, var izraisīt traumas. Piederumu vai palīgierīci izmantojiet tikai paredzētajam nolūkam.

Ja jums vajadzīga palīdzība vai precīzāka informācija par šiem piederumiem, vērsieties savā tuvākajā Makita apkopes centrā.

- Pļaujmašīnas asmens
- Makita oriģinālais akumulators un lādētājs

PIEZĪME: Daži sarakstā norādītie izstrādājumi var būt iekļauti izstrādājuma komplektācijā kā standarta piederumi. Tie dažādās valstīs var būt atšķirīgi.

SPECIFIKACIJOS

Modelis:		DLM480	DLM481	DLM538	DLM539
Pjovimo plotis (peilio skersmuo)		480 mm		534 mm	
Be apkrovos		3 100 min ⁻¹		3 000 min ⁻¹	
Pakaitinio vejjaprovės peilio dalies numeris	Tiesus vejjaprovės peilis	191Y97-3		191Y96-5 / 191W87-2	
	Mulčiavimo peilis	191Y64-6		191Y65-4	
Matmenys (I x P x A)	dirbant	I: nuo 1 690 mm iki 1 740 mm P: 530 mm A: nuo 930 mm iki 1 060 mm		I: nuo 1 810 mm iki 1 870 mm P: 580 mm A: nuo 920 mm iki 1 040 mm	
	Laikant (be žolės surinkimo krepšio)	580 mm x 530 mm x 870 mm		610 mm x 580 mm x 925 mm	
Važiavimo greitis		–	2,5–5,0 km/h	–	2,5–5,0 km/h
Nominali įtampa		Nuol. sr. 36 V			
Grynasis svoris		24,5 - 26,8kg	27,0 - 29,3kg	25,5 - 28,0 kg	27,9–30,4 kg
Apsaugos laipsnis		IPX4			

- Atliekame tęsinius tyrimus ir nuolat tobuliname savo gaminius, todėl čia pateikiamos specifikacijos gali būti keičiamos be įspėjimo.
- Skirtingose šalyse specifikacijos gali skirtis.
- Svoris gali priklausyti nuo priedo (-ų), įskaitant akumuliatoriaus kasetę. Lengviausias ir sunkiausias deriniai pagal EPTA 2014 m. sausio mėn. procedūrą yra parodyti lentelėje.

Tinkama akumuliatoriaus kasetė ir (arba) įkroviklis

Akumuliatoriaus kasetė	BL1815N / BL1820B / BL1830B / BL1840B / BL1850B / BL1860B
Įkroviklis	DC18RC / DC18RD / DC18RE / DC18SD / DC18SE / DC18SF / DC18SH / DC18WC






- Atsižvelgiant į gyvenamosios vietos regioną, kai kurios pirmiau nurodytos akumuliatoriaus kasetės ir įkrovikliai gali būti neprieinami.





⚠️ ĮSPĖJIMAS: Naudokite tik akumuliatoriaus kasetes ir įkroviklius, kurie nurodyti anksčiau. Naudojant bet kurias kitas akumuliatoriaus kasetes ir įkroviklius, gali kilti sužeidimo ir gaisro pavojus.

⚠️ ĮSPĖJIMAS: Su šia mašina nenaudokite laidu prijungiamo maitinimo šaltinio, pavyzdžiui, akumuliatoriaus adapterio ar nešiojamojo maitinimo šaltinio. Tokio maitinimo šaltinio kabelis gali trukdyti dirbti ir sukelti sužalojimų.

Simboliai

Toliau yra nurodyti simboliai, kurie gali būti naudojami įrangai. Prieš naudodami įsitinkinkite, kad suprantate jų reikšmę.

	Būkite itin atsargūs ir dėmesingi.
	Perskaitykite instrukcijų vadovą.
	Pavojus; saugokitės skriejančių objektų.
	Tarp įrankio ir šalia esančių žmonių turi būti bent 15 m atstumas.
	Laikykite rankas ir pėdas atokiai nuo vejjaprovės dugne esančių peilių. Išjungus variklį, vejjaprovės peiliai dar kurį laiką sukasi.

	Prieš atlikdami tikrinimo, reguliavimo, valymo ir techninės priežiūros darbus, taip pat prieš palikdami vejjaprovę be priežiūros ir pastatydami ją į saugojimo vietą, ištraukite spygnos raktą.
	Įspėjimas: prieš atlikdami techninės priežiūros darbus, atjunkite akumuliatorių.
	Su elektros įranga susijęs pavojus. Sąlytis su vandeniu gali sukelti elektros smūgį.
	Nepilkite vandens.



Taikoma tik ES šalims
Kadangi įrangoje yra pavojeingų komponentų, panaudota elektrinė ir elektroninė įranga, akumulatoriai ir baterijos gali turėti neigiamo poveikio aplinkai ir žmonių sveikatai.
Nešalinkite elektros ir elektroninių prietaisų ar baterijų kartu su buitiniemis atliekomis! Pagal Europos direktyvą dėl elektros ir elektroninės įrangos atliekų bei akumuliatorių ir baterijų bei jos pritaikymą nacionaliniams įstatymams, panaudota elektros ir elektroninė įranga, baterijos ir akumulatoriai turi būti surenkami atskirai ir pristatomi į atskirą buitinių atliekų surinkimo punktą, kuris veikia pagal aplinkos apsaugos taisykles. Tai rodo prbrauktas konteinerio ant ratukų simbolis, pateiktas ant įrangos.



Garantuojamas garso galios lygis pagal ES lauko triukšmo direktyvą.



Garso galios lygis pagal Australijos NSW triukšmo kontrolės reglamentą

Numatytoji naudojimo paskirtis

Įrenginys skirtas tik vejai pjauti.

Triukšmas

Įprastas triukšmo A lygis, nustatytas pagal EN IEC 62841-4-3:

Modelis	Išmatuotasis garso galios lygis (L_{WA}): (dB(A))	Garantuotasis garso galios lygis (L_{WA}): (dB(A))
DLM480	92	95
DLM481	92	95
DLM538	95	98
DLM539	95	98

Modelis	Garso slėgio lygis (L_{pA}): (dB (A))	Garso slėgio lygio paklaida (K): (dB(A))
DLM480	84	3
DLM481	84	3
DLM538	85	3
DLM539	85	3

PASTABA: Paskelbta (-os) triukšmo reikšmė (-ės) nustatyta (-os) pagal standartinį testavimo metodą ir jį galima naudoti vienam įrankiui palyginti su kitu.

PASTABA: Paskelbta (-os) triukšmo reikšmė (-ės) taip pat gali būti naudojama (-os) norint preliminarai įvertinti triukšmo poveikį.

⚠️JSPĖJIMAS: Dėvėkite ausų apsaugą.

⚠️JSPĖJIMAS: Faktiškai naudojant elektrinį įrankį, keliamo triukšmo dydis gali skirtis nuo paskelbto (-ų) reikšmės (-ių), priklausomai nuo būdu, kuriais yra naudojamas šis įrankis, ir ypač nuo to, kokio tipo ruošinys apdirbamas.

⚠️JSPĖJIMAS: Siekdami apsaugoti operatorių, būtinai įvertinkite saugos priemones, remdamiesi vibracijos poveikio įvertinimu esant faktinėms naudojimo sąlygoms (atsižvelgdami į visas darbo ciklo dalis, pavyzdžiui, ne tik kiek laiko įrankis veikia, bet ir kiek kartų jis yra išjungiamas bei kai jis veikia be apkravų).

Vibracija

Vibracijos bendroji vertė (triašio vektoriaus suma) nustatyta pagal EN IEC 62841-4-3 standartą:

Modelis DLM480

Vibracijos emisija (a_{rh}): 2,5 m/s² arba mažiau
Paklaida (K): 1,5 m/s²

Modelis DLM481

Vibracijos emisija (a_{rh}): 2,5 m/s² arba mažiau
Paklaida (K): 1,5 m/s²

Modelis DLM538

Vibracijos emisija (a_{rh}): 2,5 m/s² arba mažiau
Paklaida (K): 1,5 m/s²

Modelis DLM539

Vibracijos emisija (a_{rh}): 2,5 m/s² arba mažiau
Paklaida (K): 1,5 m/s²

PASTABA: Paskelbta (-os) vibracijos bendroji (-osios) reikšmė (-ės) nustatyta (-os) pagal standartinį testavimo metodą ir jį galima naudoti vienam įrankiui palyginti su kitu.

PASTABA: Paskelbta (-os) vibracijos bendroji (-osios) reikšmė (-ės) taip pat gali būti naudojama (-os) norint preliminarai įvertinti vibracijos poveikį.

⚠️JSPĖJIMAS: Faktiškai naudojant elektrinį įrankį, keliamos vibracijos dydis gali skirtis nuo paskelbto (-ų) reikšmės (-ių), priklausomai nuo būdu, kuriais yra naudojamas šis įrankis, ir ypač nuo to, kokio tipo ruošinys apdirbamas.

⚠️JSPĖJIMAS: Siekdami apsaugoti operatorių, būtinai įvertinkite saugos priemones, remdamiesi vibracijos poveikio įvertinimu esant faktinėms naudojimo sąlygoms (atsižvelgdami į visas darbo ciklo dalis, pavyzdžiui, ne tik kiek laiko įrankis veikia, bet ir kiek kartų jis yra išjungiamas bei kai jis veikia be apkravų).

Atitikties deklaracijos

Tik Europos šalims

Atitikties deklaracijos įtrauktos į šios naudojimo instrukcijos A priedą.

SAUGOS ĮSPĖJIMAI

Bendrieji įspėjimai dirbant elektriniais įrankiais

ĮSPĖJIMAS Perskaitykite visus saugos įspėjimus, nurodymus, peržiūrėkite paveikslėlius ir technines sąlygas, pateiktas su šiuo elektriniu įrankiu. Nesilaikant toliau pateiktų nurodymų, galima patirti elektros šoką, sunkų sužalojimą ir (arba) sukelti gaisrą.

Įsisaugokite visus įspėjimus ir instrukcijas, kad galėtumėte jas peržiūrėti ateityje.

Terminas „elektrinis įrankis“ pateiktuose įspėjimuose reiškia į maitinimo tinklą jungiamą (laidinį) elektrinį įrankį arba akumulatoriaus maitinamą (belaidį) elektrinį įrankį.

Akumulatorinės veļapjovės saugos įspėjimai

1. **Nenaudokite veļapjovės esant blogam orui, ypač jei gali žaibuoti.** Taip sumažinsite žaibo nutrenkimo pavojų.
2. **Kruopščiai patikrinkite vietą, kurioje naudosite veļapjovę, ar nėra laukinių gyvūnų.** Veikianti veļapjovė gali sužaloti laukinius gyvūnus.
3. **Kruopščiai patikrinkite vietą, kurioje bus naudojama veļapjovė, ir surinkite visus akmenis, šakas, vielas, kaulus ir kitus pašalinius daiktus.** Nusviesti daiktai gali sužaloti.
4. **Prieš naudodami veļapjovę visada apžiūrėkite, ar peilis ir peilio mazgas nėra nusidėvėję arba pažeisti.** Nusidėvėję ar pažeistos dalys didina sužalojimo riziką.
5. **Dažnai tikrinkite, ar žolės gaudyklė nesusidėvėjusi ar nesugedusi.** Dėl susidėvėjusios ar sugedusios gaudyklės gali padidėti sužalojimo rizika.
6. **Laikykite apsauginius įtaisus jiems skirtoje vietoje.** Apsauginiai įtaisai turi būti tinkamos būklės ir tinkamai sumontuoti. Naudojant atsilaisvinusį, pažeistą arba tinkamai neveikiantį apsauginį įtaisą galima susižaloti.
7. **Pasirūpinkite, kad visose vėsinimo oro įtraukimo angose nebūtų šiukšlių.** Dėl užsikimšusių oro įleidimo angų ir šiukšlių prietaisas gali perkaisti ar gali kilti gaisro pavojus.
8. **Naudodami šią veļapjovę, visada avėkite neslidžią apsauginę avalynę.** Niekuomet nedirbkite su veļapjovę, jeigu esate basi arba avite atvirus sandalus. Tai sumažina pėdų sužalojimo riziką, joms prilietus judantį peilį.
9. **Naudodami veļapjovę, visuomet mūvēkite ilgus kelnes.** Dėl nepridengtos odos padidėja tikimybė patirti sužalojimą, kuriuos sukelia išsviesti objektai.
10. **Neįjunkite veļapjovę šlapios žolės.** Vaikščiokite, o ne bėgiokite. Taip kils mažesnis pavojus paslysti, nugriūti ir susižaloti.
11. **Nenaudokite veļapjovės per didelio nuolydžio nuokalnėse.** Taip kils mažesnis pavojus nesuvaldyti įrankio, paslysti, nugriūti ir susižaloti.

12. **Dirbdami nuožulniose vietose, visada tvirtai stovėkite ir dirbkite skersai nuožulnumos – niekada neikite aukštyjn arba žymyn taip pat būkite itin atsargūs, kai keičiate kryptį.** Taip kils mažesnis pavojus nesuvaldyti įrankio, paslysti, nugriūti ir susižaloti.
13. **Būkite itin atsargūs, važiuodami atbuline eiga arba traukdami veļapjovę savęs link.** Visada žinokite aplinką. Taip sumažės užkliuvimo dirbant tikimybė.
14. **Nelieskite peilių ir kitų pavojų keliančių judančių dalių, kol jos vis dar nesustoję.** Taip sumažės judančių dalių keliama sužalojimo rizika.
15. **Šalindami įstrigusias medžiagas arba atlikdami veļapjovės techninę priežiūrą, įsitikinkite, kad visi maitinimo mygtukai išjungti, o akumulatoriaus paketas išimtas arba atjungtas.** Naudojant veļapjovę ne taip, kaip numatyta, galima sunkiai susižeisti.

Papildomi saugos įspėjimai

Mokymas

1. **Atidžiai perskaitykite šią instrukciją.** Nuodugniai susipažinkite su valdikliais ir išsiaiškinkite, kaip tinkamai naudoti veļapjovę.
2. **Niekuomet nelieskite veļapjovės naudoti vaikams arba su šia instrukcija nesuspazinusiems žmonėms.** Operatoriaus amžius gali būti reglamentuojamas vietinių įstatymų.
3. **Niekuomet nenaudokite veļapjovės, jei netoliese yra žmonių, ypač vaikų ar naminių gyvūnų.**
4. **Atminkite, kad operatorius yra atsakingas už nelaimingus atsitikimus ar nelaimes, atsitikusius kitiems žmonėms, arba jų turtui padarytą žalą.**

Pasiruošimas

1. **Prieš padėdami pjauti žolę, įsitikinkite, ar toje vietoje nėra kitų žmonių.** Išjunkite veļapjovę, jeigu į darbo vietą kas nors ateina.
2. **Nekiškite blokavimo raktelio į veļapjovę, kol ji nebus paruošta naudoti.**
3. **Saugokitės duobių, provėžų, nelygumų, akmenų ir kitų nematomų objektų.** Nelygioje vietoje galima paslysti ir griūti. Aukšta žolė gali slėpti kliūtis.
4. **Nekiškite ir neišimkite blokavimo raktelį lyjant.**

Naudojimas

1. **Išjunkite veļapjovę, ištraukite blokavimo raktelį ir įsitikinkite, kad visos judančios dalys visiškai sustojo:**
 - kai paliekate veļapjovę be priežiūros;
 - prieš pradėdami valyti užsikimšimus arba prieš atkimšdami išmetimo lataką;
 - prieš tikrindami, valydami arba dirbdami prie veļapjovės.
2. **Jeigu veļapjovę užkliudo pašalinį objektą, atlikite šiuos veiksmus:**
 - Išjunkite veļapjovę, atleiskite svirtinį jungiklį ir palaukite, kol peilis visiškai sustos.
 - Ištraukite blokavimo raktelį ir išimkite akumulatoriaus kasetę.

- Atidžiai apžiūrėkite vejamą, ar ji neapgadinta.
 - Pakeiskite peilį, jei jis kaip nors apgadintas. Prieš vėl paleisdami vejamą ir tęsdami darbą, pašalinkite bet kokius pažeidimus.
3. Jei vejamą pradeda nejprastai vibruoti arba pastebite ką nors neįprasto, nedelsdami atlikite toliau nurodytus veiksmus.
 - Išjunkite vejamą, atleiskite svirtinį jungiklį ir palaukite, kol peilis visiškai sustos.
 - Ištraukite blokavimo raktelį ir išimkite akumuliatoriaus kasetę.
 - Apžiūrėkite, ar nėra pažeidimų, pakeiskite arba pataisykite bet kokios sugadintas dalis.
 - Patikrinkite, ar nėra atsilaisvinusių dalių, ir jas priveržkite.
 4. Niekada nenaudokite vejamą su pažeistais apsauginiais skydais arba gaubtais ar be tinkamai sumontuotų saugos įtaisų, pavyzdžiui, kreiptuvų ir (arba) žolės surinkimo krepšio.
 5. Vejamą naudokite tik dienos metu arba esant geram dirbtiniam apšvietimui.
 6. Atsargiai įjunkite vejamą, kaip nurodyta instrukcijoje; pėdos turi būti pakankamu atstumu nuo peilio (-ių).
 7. Saugokitės, kad vejamą peilis nesužeistų kojų ir rankų.
 8. Sustabdykite peilį (-ius), jeigu vejamą reikia paversti, kad ją galima būtų perkelti per žolę neapaugusius paviršius, ir gabendami vejamą iš vietos, kurioje ji buvo naudojama, ir į tą vietą, kurioje ji bus naudojama.
 9. Paleisdami variklį, vejamą nepakreipkite, išskyrus tą atvejį, jeigu vejamą reikia pakreipti, kad ją būtų galima paleisti. Tokiu atveju pakreipkite ją tik tiek, kiek tai visiškai būtina, ir kelkite tik tą dalį, kuri yra nukreipta tolyn nuo operatoriaus. Prieš nuleisdami vejamą ant žemės, visada užtikrinkite, kad abi rankos būtų darbinėje padėtyje.
 10. Nekiškite rankų ar kojų artyn prie besisukančių dalių arba po jomis. Visada stovėkite atokiai nuo išmetimo angos.
 11. Visada tvirtai laikykite rankeną.
 12. Paimdami arba laikydami vejamą, neimkite už atvirų pjovimo peilių arba pjovimo briaunų.
 13. Laikykite pėdas ir rankas atokiai nuo besisukančių peilių. Dėmesio – išjungus vejamą, pjovimo peiliai dar sukasi iš inercijos.
 14. Nereguliuokite pjovimo aukščio, kai vejamą veikia, jei vejamą turi pjovimo aukščio reguliavimo funkciją.
 15. Prieš kirsdami kelius, takus, vieškelius ir bet kokias žvyrų padengtas vietas, atleiskite svirtinį jungiklį ir palaukite, kol peiliai nebesuks. Taip pat ištraukite blokavimo raktelį, jeigu vejamą paliekate be priežiūros, jeigu siekiate kažką pakelti arba patraukti iš kelio, arba dėl bet kokios kitos priežasties, kuri gali atitraukti jus nuo atliekamo darbo.
 16. Neužveskite vejamą variklio, stovėdami priešais išmetimo angą.
 17. Išmetamos medžiagos niekada nenukreipkite į kitus žmones. Stenkitės nemesti medžiagos sienos ar kliūties link. Medžiaga gali atsokti atgal operatoriaus link. Kirsdami žvyruotus paviršius, sustabdykite peilį.
 18. Vejamą netraukite atgal, nebent tai būtų būtina. Kai vejamą tenka atitraukti nuo tvoros ar kitos panašios kliūtis ir prieš eidami atbulomis, pasižiūrėkite žemyn ir atgal.
 19. Prieš nuimdami žolės gaudyklę, išjunkite variklį ir palaukite, kol peilis visiškai sustos. Turėkite omenyje, kad išjungus vejamą, peiliai dar sukasi iš inercijos.
 20. Kai naudojate mašiną ant purvinos dirvos, drėgno nuolydžio ar slidžios vietos, atkreipkite dėmesį į pagrindą po kojomis.
 21. Venkite dirbti netinkamoje aplinkoje, kurioje tikėtina, kad naudotojas labiau pavargs.
 22. Nenaudokite mašinos prastu oru, kai matomas ribotas. To nepadarius, dėl silpno matomumo galite apversti mašiną arba ji gali netinkamai veikti.
 23. Nenaudokite mašinos balose.
 24. Jei lyjant prie siurbimo angos (ventiliacijos langelio) pilpo drėgnas lapas ar purvas, pašalinkite juos.
 25. Nenaudokite mašinos ant sniego.
 26. Jei nupjauta žolė yra šlapi, ji gali užkimšti mašinos vidų. Reguliariai tikrinkite mašinos būklę ir prireikus šalinkite susikaupusią žolę.
 27. Naudodami mašiną atkreipkite dėmesį į vamzdelius ir laidus.
- Techninė priežiūra ir laikymas**
1. Vejamą reguliariai apžiūrėkite ir sutvarkykite.
 2. Visos veržlės, varžtai ir sraigčiai turi būti tvirtai prisukti, kad būtų užtikrintos saugios įrenginio darbo sąlygos.
 3. Dažnai tikrinkite, ar žolės surinkimo krepšys nesusidėvėjęs ir yra tinkamos būklės. Prieš patatydami įrenginį, būtina išuštinkite žolės surinkimo krepšį. Norėdami užtikrinti saugą, nesidėvėjusį žolės surinkimo krepšį pakeiskite nauju originaliu atsarginiu krepšiu.
 4. Naudokite tik šioje instrukcijoje nurodytus originalius peilius.
 5. Reguluodami vejamą būkite atsargūs, kad pirštų neįtrauktų judantys peiliai ir nejudančios jos dalys.
 6. Dažnai tikrinkite, ar tinkamai priveržti peilių montavimo varžtai.
 7. Prieš patatydami vejamą į saugojimo vietą, palaukite, kol ji visiškai atvės.
 8. Prieš pradėdami peilių techninės priežiūros darbus, nepamirškite, kad nors maitinimo šaltinis yra išjungtas, peiliai vis tiek gali sukintis.
 9. Niekada neuimkite ir negadinkite apsauginių įtaisų. Reguliariai tikrinkite, ar jie gerai veikia. Nedarykite nieko, kas apsauginiam įtaisui trukdytų atlikti jo funkciją ar sumažintų jo suteikiamą apsaugą.
 10. Nepalikite mašinos lauke lyjant.
 11. Neplaukite mašinos aukšto slėgio vandeniu.

12. Plaudami mašiną, būtinai išimkite akumuliatorių ir blokavimo mygtuką, uždarykite akumuliatoriaus dangtelį ir pilkite vandenį mašinos apačios link, kur pritvirtintas peilis.
13. Mašinos laikymo vietoje neturėtų būti tiesioginių saulės spindulių ir lietaus; laikykite ją ten, kur ji nesušlaps ir neįkainas.
14. Atlikite patikrinimą ar techninę priežiūrą ten, kur galima išvengti lietaus.
15. Baigę naudoti mašiną, prieš statydami ją sandėliuoti, pašalinkite prikibusius nešvarumus ir visiškai išdžiovinkite mašiną. Priklausomai nuo sezono arba regiono, dėl užšalimo mašina gali sugesti.

Elektros ir akumuliatoriaus sauga

1. Neatidarykite ir neardykite akumuliatoriaus (-ių). Ištekėjęs elektrolitas yra šėdinančioji medžiaga, kuri gali pažeisti akis ar odą. Nurytas jis gali apnuodyti.
2. Nenaudokite akumuliatoriaus lyjant arba drėgnoje vietoje.
3. Nekraukite akumuliatoriaus lauke.
4. Neimkite įkroviklio, įskaitant įkroviklio kištuką ir gnybtus, drėgnomis rankomis.
5. Nekeiskite akumuliatoriaus lyjant.
6. Negalima šlapinti akumuliatoriaus gnybto skysčiu, pvz., vandeniu, arba panardinti akumuliatoriaus. Nepalikite akumuliatoriaus lietuje, neįkraukite, nenaudokite ir nekeiskite akumuliatoriaus šlapioje arba drėgnoje vietoje. Jei gnybtas sušlampa arba į akumuliatoriaus vidų patenka skysčio, gali kilti trumpasis akumuliatoriaus jungimas ir perkaitimo, gaisro arba sprogmio pavojus.
7. Išėmę akumuliatorių iš mašinos arba įkroviklio, būtinai uždėkite akumuliatoriaus dangtelį ant akumuliatoriaus ir laikykite jį sausoje vietoje.
8. Nekeiskite akumuliatoriaus šlapiomis rankomis.
9. Nedirbkite pavojingomis sąlygomis. Nenaudokite šio įrenginio drėgnoje arba šlapioje vietoje, saugokite jį nuo lietaus. Į įrenginį patekęs vanduo padidins elektros smūgio pavojų.
10. Jeigu akumuliatoriaus kasėtė sudrėksta, pašalinkite vandenį iš vidaus ir tuomet išvalykite sausa šluoste. Prieš naudodami, visiškai išdžiovinkite akumuliatoriaus kasėtę sausoje vietoje.

SAUGOKITE ŠIAS INSTRUKCIJAS.

▲ISPĖJIMAS: NELEISKITE, kad patogumas ir gaminio pažinimas (įgyjamas pakartotinai naudojant) susilpnintų griežtą saugos taisyklių, taisytinių šiam gaminiui, laikymąsi. Dėl NETINKAMO NAUDOJIMO arba saugos taisyklių, kurios pateiktos šioje instrukcijoje, nesilaikymo galima rimtai susižeisti.

Svarbios saugos instrukcijos, taikomos akumuliatoriaus kasetei

1. Prieš naudodami akumuliatoriaus kasėtę, perskaitykite visas instrukcijas ir perspėjimus ant (1) akumuliatorių įkroviklio, (2) akumuliatorių ir (3) akumuliatorių naudojančio gaminio.
2. Neardykite ir negadinkite akumuliatoriaus kasėtės. Dėl to ji gali užsidegti, per daug įkaisti arba sprogti.
3. Jei įrankio darbo laikas žymiai sutrumpėjo, nedelsdami nutraukite darbą su įrankiu. Tai gali kelti perkaitimo, nudegimų ar net sprogmio pavojų.
4. Jei elektrolitas pateko į akis, plaukite jas tyru vandeniu ir nedelsdami kreipkitės į gydytoją. Gali kilti regėjimo praradimo pavojus.
5. Neužtrumpinkite akumuliatoriaus kasėtės:
 - (1) Nelieskite kontaktų degiomis medžiagomis.
 - (2) Venkite laikyti akumuliatoriaus kasėtę kartu su kitais metaliniais daiktai, pavyzdžiui, vinimis, monetomis ir pan.
 - (3) Saugokite akumuliatoriaus kasėtę nuo vandens ir lietaus.
 Trumpasis jungimas akumuliatoriuje gali sukelti stiprią srovę, perkaitimą, galimus nudegimus ar net akumuliatoriaus gedimą.
6. Nelaikykite ir nenaudokite įrankio ir akumuliatoriaus kasėtės vietose, kur temperatūra gali pasiekti ar viršyti 50 °C (122 °F).
7. Nedeginkite akumuliatoriaus kasėtės, net jei yra stipriai pažeista ar visiškai susidėvėjusi. Ugnyje akumuliatoriaus kasėtė gali sprogti.
8. Akumuliatoriaus kasėtės nekalkite, nepjauskykite ir nemėtykite ir taip pat į ją netrankykite kietu daiktu. Taip elgiantis, ji gali užsidegti, per daug įkaisti arba sprogti.
9. Nenaudokite pažeisto akumuliatoriaus.
10. Įdėtos ličio jonų akumuliatoriams taikomi Pavojingų prekių teisės akto reikalavimai. Komeracinis transportas, pvz., trečiųjų šalių, prekių vežimo atstovų, turi laikytis specialaus reikalavimo ant pakuotės ir ženklavimo. Norėdami paruošti siųstiną prekę, pasitarkite su pavojingų medžiagų specialistu. Be to, laikykitės galimajam išsamesnių nacionalinių reglamentų. Užklijuokite juosta arba padenkite atvirus kontaktus ir supakuokite akumuliatorių taip, kad jį pakuotėje nejudėtų.
11. Kai išmetate akumuliatoriaus kasėtę, išimkite ją iš įrankio ir išmeskite saugioje vietoje. Vadovaukitės vietos reglamentais dėl akumuliatorių išmetimo.
12. Baterijas naudokite tik su „Makita“ nurodytais gaminiais. Baterijas įdėjus į netinkamus gaminius gali kilti gaisras, gaminyje pernelyg kaisti, kilti sprogmimas arba pratekėti elektrolitas.
13. Jei įrankis bus ilgą laiką nenaudojamas, akumuliatorių būtina išimti iš įrankio.
14. Darbo metu ir po akumuliatoriaus kasėtės gali būti įkaitusi ir dėl to nudeginti. Imdami akumuliatoriaus kasėtes, būkite atsargūs.
15. Tuojau pat po naudojimo nelieskite įrankio gnybtų, nes jie gali būti įkaitę tiek, kad nudegins.

16. **Neleiskite, kad j akumulatoriaus kasetės gnybtus, angas ir griovelius patektų drožlių, dulkių ar žemių.** Jos gali sukelti kaitimą, užsidegti, sprogti ir sukelti įrankio ar akumulatoriaus kasetės gedimą, dėl ko galima nusidiegti ar susižaloti.
17. **Jeigu įrankis nėra pritaikytas naudoti šalia aukštos įtampos elektros linijų, akumulatoriaus kasetės nenaudokite šalia aukštos įtampos elektros linijų.** Dėl to gali sutrikti įrankio ar akumulatoriaus kasetės veikimas arba jie gali sugesti.
18. **Laikykite akumuliatorių vaikams nepasiekiamoje vietoje.**

SAUGOKITE ŠIAS INSTRUKCIJAS.

▲PERSPĖJIMAS: Naudokite tik originalų „Makita“ akumuliatorių. Neoriginalaus „Makita“ arba pakeisto akumulatoriaus naudojimas gali nulemti gaisrą, asmens sužalojimą ir pažeidimą. Tai taip pat panaikina „Makita“ suteikiamą „Makita“ įrankio ir įkroviklio garantiją.

Patarimai, ką daryti, kad akumulatorius veiktų kuo ilgiau

1. **Pakraukite akumulatoriaus kasetę prieš jai visiškai išsikraunant.** Visuomet nustokite naudoti įrankį ir pakraukite akumulatoriaus kasetę, kai pastebite, kad įrankio galia sumažėjo.
2. **Niekada nekraukite iki galo įkrautos akumulatoriaus kasetės.** Perkraunant trumpėja akumulatoriaus eksploatacijos laikas.
3. **Akumulatoriaus kasetę kraukite esant kambario temperatūrai 10 - 40 °C.** Prieš pradėdami krauti, leiskite įkaitusiai akumulatoriaus kasetei atvėsti.
4. **Kai akumulatoriaus kasetės nenaudojate, ją išimkite iš įrankio ar įkroviklio.**
5. **Įkraukite akumulatoriaus kasetę, jei jos nenaudojate ilgą laiką (ilgiau nei šešis mėnesius).**

SURINKIMAS

▲JSPĖJIMAS: Prieš pradėdami bet kokius vejavapjovės techninės priežiūros, valymo arba reguliavimo darbus, visuomet būtinai ištraukite fiksavimo raktą ir išimkite akumulatoriaus kasetę. Neištraukus fiksavimo rakto ir neišėmus akumulatoriaus kasetės, galima sunkiai susižeisti dėl atsitiktinio įrenginio paleidimo.

▲JSPĖJIMAS: Niekada nepaleiskite vejavapjovės, kol ji nėra visiškai surinkta. Naudojant iš dalies surinktą mašiną, ji gali netyčia pasileisti ir sunkiai sužeisti.

Rankenos montavimas

PASTABA: Įrengdami rankenas būkite atidūs, kad tarp jų neprispaustumėte kabelio. Jei kabelis bus apgadintas, gali neveikti vejavapjovės jungiklis.

1. Sulygiuokite kiauromę apatinėje rankenoje su kiaurome viršutinėje, tada iš išorės įkiškite varžtą ir iš vidaus priveržkite sparnuotąją varžlę. Tą pačią procedūrą pakartokite kitoje pusėje.

Skirta DLM481 / DLM539

- **Pav.1:** 1. Varžtas 2. Sparnuotoji varžlė 3. Apatinė rankena 4. Viršutinė rankena

Skirta DLM480 / DLM538

- **Pav.2:** 1. Varžtas 2. Sparnuotoji varžlė 3. Apatinė rankena 4. Viršutinė rankena

2. Pasukite rankenėlę 90° kampu traukdami apatinės rankenos rankenėlę, kad atleistumėte užrakinimo kaištį. Tą pačią procedūrą pakartokite kitoje pusėje. Pakelkite rankeną ir tada pasukite rankenėlę abiejose pusėse 90° kampu. Įsitinkinkite, kad rankenėlės saugiai užfiksuotos.
- **Pav.3:** 1. Rankenėlė

PASTABA: Prilaukiant rankeną ir traukiant rankenėlę, lengviau atleisti užrakinimo kaištį.

Mulčiavimo kaiščio nuėmimas

1. Atidarykite galinį dangtelį.
- **Pav.4:** 1. Galinis dangtelis
2. Šiek tiek pakelkite mulčiavimo kaištį ir išimkite.
- **Pav.5:** 1. Mulčiavimo kaištis

Žolės surinkimo krepšio surinkimas

1. Paimkite žolės surinkimo krepšio viršutinį spaustuką.
- **Pav.6:** 1. Viršutinis spaustukas
2. Iki galo įdėkite rėmelį į žolės surinkimo krepšį, prilaikydami rėmelio rankeną.
- **Pav.7:** 1. Rankena

PASTABA: Nekiškite rankenos į žolės surinkimo krepšį. Būtinai įdėkite rėmelį palei žolės surinkimo krepšio siūlę.

3. Įsitinkinkite, kad žolės surinkimo krepšio kampai nebūtų sukritę.
- **Pav.8**
4. Atlaisvinkite viršutinį spaustuką ir pritvirtinkite jį prie rėmelio.
- **Pav.9**
5. Visus kitus spaustukus pritvirtinkite, kaip parodyta piešinyje. Įsitinkinkite, kad visi spaustukai tvirtai pritvirtinti prie rėmo.
- **Pav.10:** 1. Spaustukas

Žolės surinkimo krepšio uždėjimas ir nuėmimas

Norėdami uždėti žolės surinkimo krepšį, atlikite toliau nurodytus veiksmus.

1. Atidarykite galinį dangtelį.
- **Pav.11:** 1. Galinis dangtelis
2. Suimkite žolės surinkimo krepšio rankeną, tada pakabinkite žolės krepšį ant vejavapjovės korpuso strypo, kaip parodyta paveikslėlyje.
- **Pav.12:** 1. Žolės surinkimo krepšys 2. Rankena 3. Strypas

Norėdami nuimti žolės surinkimo krepšį, atidarykite galinį dangtelį ir nuimkite žolės surinkimo krepšį, suėmę už jo rankenos.

Mulčiavimo kaiščio uždėjimas

1. Atidarykite galinį dangtelį ir išimkite žolės surinkimo krepšį.
► **Pav.13:** 1. Galinis dangtelis 2. Žolės surinkimo krepšys
2. Prijunkite mulčiavimo kaištį, iki galo įkišdami jį, kad jo iškyšos sutaptų su įrenginio kiaurymėmis.
► **Pav.14:** 1. Mulčiavimo kaištis 2. Iškyša

VEIKIMO APRAŠYMAS

Akumuliatoriaus kasetės uždėjimas ir nuėmimas

▲ PERSPĖJIMAS: Prieš įdėdami arba išimdami akumuliacijos kasetę, visada išjunkite mašiną.

▲ PERSPĖJIMAS: Įdėdami arba išimdami akumuliacijos kasetę, tvirtai laikykite mašiną ir akumuliacijos kasetę. Jeigu mašiną ir akumuliacijos kasetę laikysite netvirtai, jie gali išslysti iš rankų, todėl mašina ir akumuliacijos kasetė gali būti sugadinti, o naudotojas sužalotas.

▲ PERSPĖJIMAS: Prieš pradėdami naudoti, įsitikinkite, ar akumuliacijos dangtelis užfiksuotas. Kitaip gali patekti purvo, nešvarumų arba vandens ir gaminyje arba akumuliacijos kasetėje gali sugesti.

▲ PERSPĖJIMAS: Akumuliacijos kasetę visada kiškite iki galo, kol nebematysite raudono indikatorius. Kitaip ji gali atsitiktinai iškristi iš mašinos ir sužaloti jus arba aplinkinius žmones.

▲ PERSPĖJIMAS: Nekiškite akumuliacijos kasetės įeiga. Jeigu kasetė sunkiai lenda, ją kišate neįtakamai.

▲ PERSPĖJIMAS: Įdėdami arba išimdami akumuliacijos tvirtai laikykite akumuliacijos dangtelį.

PASTABA: Mašina neveikia tik su viena akumuliacijos kasete.

Norėdami įdėti akumuliacijos kasetę;

1. Ištraukite fiksavimo svirtį ir atidarykite akumuliacijos dangtelį.
► **Pav.15:** 1. Akumuliacijos skyriaus dangtelis
2. Užrakto svirtelė
2. Sulygiuokite akumuliacijos kasetės liežuvėlį su grioveliu mašinoje ir stumkite kasetę, kol ji tyliai spragtelėjusi užsifiksuos.
► **Pav.16:** 1. Akumuliacijos kasetė
3. Iki galo įkiškite fiksavimo raktą į paveikslėlyje parodytą vietą.
► **Pav.17:** 1. Fiksavimo raktas
4. Uždarykite akumuliacijos skyriaus dangtelį ir spauskite jį tol, kol fiksavimo svirtis jį užsklęs.

Kaip ištraukti akumuliacijos kasetę:

1. Ištraukite fiksavimo svirtį ir atidarykite akumuliacijos dangtelį.
2. Slinkdami mygtuką, esantį kasetės priekyje, ištraukite akumuliacijos kasetę iš mašinos.
3. Ištraukite fiksavimo raktą.
4. Uždenkite akumuliacijos skyriaus dangtelį.

Mašinos / akumuliacijos apsaugos sistema

Mašinoje įrengta mašinos / akumuliacijos apsaugos sistema. Ši sistema automatiškai atjungia variklio maitinimą, kad mašina ir akumuliacijos ilgiau veiktų. Mašina automatiškai išsijungs veikimo metu atsiradus vienai iš toliau nurodytų mašinos arba akumuliacijos sąlygų:

Apsauga nuo perkrovos

Kai akumuliacijos naudojamas taip, kad neįprastai padidėja elektros srovė, mašina automatiškai sustoja, o pagrindinė maitinimo lemputė mirksi žalia spalva. Tokiu atveju išjunkite mašiną ir nutraukite darbą, dėl kurio atsirado perkrova. Tada vėl įjunkite mašiną ir pradėkite iš naujo.

Apsauga nuo perkaitimo

Jeigu mašina arba akumuliacijos perkaista, mašina automatiškai sustoja, o pagrindinė maitinimo lemputė dega raudona spalva. Tokiu atveju, prieš vėl įjungdami mašiną, leiskite jai ir akumuliacijai atvėsti.

Apsauga nuo visiško išsekimo

Jeigu likusios akumuliacijos galios nepakanka, mašina automatiškai sustoja, o pagrindinė maitinimo lemputė mirksi raudona spalva. Tokiu atveju išimkite akumuliacijos iš mašinos ir įkraukite akumuliacijos kasetes arba pakeiskite akumuliacijos kasetes visiškai įkrautomis.

Apsaugos dėl kitų priežasčių

Apsaugos sistema taip pat saugo esant kitų priežasčių, dėl kurių gali sugesti įrenginys, ir leidžia jam automatiškai išsijungti. Įrenginiui laikinai sustojus arba veikimo metu išsijungus, imkitės visų toliau nurodytų veiksmų ir pašalinkite to priežastis.

1. Išjunkite įrenginį, tada vėl įjunkite, kad paleistumėte iš naujo.
2. Įkraukite akumuliacijos (-ius) arba jį (juos) pakeiskite įkrautu (-ais) akumuliacijomis (-iais).
3. Palaukite, kol įrenginys ir akumuliacijos (-iai) atvės.

Jei, atkūrus apsaugos sistemą, veikimas nepagerėja, kreipkitės į vietos „Makita“ priežiūros centrą.

PASTABA: Jei įrenginys sustoja dėl pirmiau neapibūdintų priežasčių, žr. trikių šalinimo skirsnį.

Likusios akumuliacijos galios rodymas

- **Pav.18:** 1. Akumuliacijos indikatorius

Kai akumuliacijoje lieka mažai energijos, atitinkamo akumuliacijos pusėje pradeda mirksėti akumuliacijos indikatorius. Jei įrenginys naudojamas toliau, jis sustoja ir įsijungia akumuliacijos indikatorius. Tokiu atveju įkraukite akumuliacijos.

Likusios akumulatoriaus galios rodymas

Tik akumulatoriaus kasetėms su indikatoriumi

Paspauskite akumulatoriaus kasetės tikrinimo mygtuką, kad būtų rodoma likusi akumulatoriaus energija. Maždaug trims sekundėms užsidegs indikatorius lemputės.

► **Pav.19:** 1. Indikatorijų lemputės 2. Tikrinimo mygtukas

Indikatorijų lemputės			Likusi galia
Šviečia	Nešviečia	Blyksi	
			75 - 100 %
			50 - 75 %
			25 - 50 %
			0 - 25 %
			Įkraukite akumuliatorių.
			Galimai įvyko akumulatoriaus veikimo triktis.

PASTABA: Rodmuo gali šiek tiek skirtis nuo faktinės energijos lygio – tai priklauso nuo naudojimo sąlygų ir aplinkos temperatūros.

PASTABA: Veikiant akumulatoriaus apsaugos sistemai, ji mirksėti pirmoji (toliausiai kairėje) indikatoriaus lemputė.

Pagrindinis maitinimo jungiklis

ĮSPĖJIMAS: Kai nenaudojate, visada išjunkite pagrindinį maitinimo jungiklį.

► **Pav.20:** 1. Pagrindinė maitinimo lemputė
2. Pagrindinis maitinimo jungiklis

Norėdami įjungti mašiną, paspauskite pagrindinį maitinimo jungiklį. Pagrindinė maitinimo lemputė užsidega žalia spalva. Norėdami išjungti mašiną, dar kartą paspauskite pagrindinį maitinimo jungiklį.

PASTABA: Jei pagrindinė maitinimo lemputė šviečia raudona spalva arba mirksi raudona ar žalia spalva, žr. mašinos / akumulatoriaus apsaugos sistemos instrukcijas.

PASTABA: Ši mašina turi automatinio išjungimo funkciją. Siekiant išvengti atsitiktinio paleidimo, pagrindinis maitinimo jungiklis automatiškai išsijungia, jei svirtinis jungiklis ir eigos svirtelė (jei ji įrengta) nėra patraukiami per tam tikrą laiką po pagrindinio maitinimo jungiklio įjungimo.

Jungiklio veikimas

ĮSPĖJIMAS: Prieš įdėdami akumulatoriaus kasetę, visada patikrinkite, ar svirtinis jungiklis veikia tinkamai ir atleistas sugrįžta į pradinę padėtį. Naudojant mašiną, kurios jungiklis netinkamai veikia, galima jos nesuvaldyti ir sunkiai susižaloti.

PASTABA: Nepaspaudus įjungimo mygtuko, vejąpovė nepasileidžia net ir patraukus už svirtinio jungiklio.

PASTABA: Vejąpovės variklis gali būti neužvestas dėl perkrovos, kai vienu metu pjaunate ilgai ar tankią žolę. Tokiu atveju papildinkite pjovimo aukštį.

Šioje vejąpovėje yra blokavimo raktelis ir rankenos jungiklis. Jeigu pastebėtumėte, kad blokavimo raktelis arba jungiklis veikia neįprastai, tuoj pat nutraukite darbą ir pasirūpinkite, kad jie būtų patikrinti artimiausiame „Makita“ įgaliotajame techninės priežiūros centre.

Skirta DLM481 / DLM539

- Įdėkite akumulatoriaus kasetes. Įkiškite blokavimo raktelį, tada uždenkite akumulatoriaus dangtelį.
- Paspauskite pagrindinį maitinimo jungiklį.
- Laikydami nuspaudę įjungimo mygtuką, traukite svirtinį jungiklį savęs link. Kai tik variklis pasileidžia, įjungimo mygtuką atleiskite.

► **Pav.21:** 1. Mygtukas 2. Svirtinis jungiklis

- Laikydami svirtinį jungiklį, pastumkite eigos svirtelę pirmyn ir laikykite, kad pajudėtų užpakaliniai ratai.

► **Pav.22:** 1. Eigos svirtelė

PASTABA: Užpakalinius ratus galite judinti stumdami eigos svirtelę pirmyn ir ją laikydami, bet netraukdami svirtinio jungiklio.

- Norėdami sustabdyti mašiną, atleiskite eigos svirtelę ir svirtinį jungiklį.

Skirta DLM480 / DLM538

- Įdėkite akumulatoriaus kasetes. Įkiškite blokavimo raktelį, tada uždenkite akumulatoriaus dangtelį.
- Paspauskite pagrindinį maitinimo jungiklį.
- Laikydami nuspaudę įjungimo mygtuką, traukite svirtinį jungiklį savęs link. Kai tik variklis pasileidžia, įjungimo mygtuką atleiskite.

► **Pav.23:** 1. Mygtukas 2. Svirtinis jungiklis

- Jeigu norite išjungti variklį, atleiskite svirtinį jungiklį.

Žolės pjovimo aukščio reguliavimas

ĮSPĖJIMAS: Reguliuodami žolės pjovimo aukštį, niekada nekiškite rankų ar kojų po vejąpovės korpusu.

ĮSPĖJIMAS: Prieš pradėdami darbą, visada įsitikinkite, ar svirtis tinkamai įtaisyta griovelyje.

Žolės pjovimo aukštį galima reguliuoti nuo 20 mm iki 100 mm. Ištraukite blokavimo raktelį, tada traukite pjovimo aukščio reguliavimo svirtelę vejąpovės korpuso išorėje ir nustatykite į norimą pjovimo aukštį.

► **Pav.24:** 1. Pjovimo aukščio reguliavimo svirtis

Toliau pateiktoje lentelėje parodytas ryšys tarp skaičių, esančių ant veļapjovės korpuso, ir apytikslio pjovimo aukščio.

Skaičius	Pjovimo aukštis
1	20 mm
2	26 mm
3	32 mm
4	40 mm
5	49 mm
6	59 mm
7	70 mm
8	81 mm
9	92 mm
10	100 mm

Viena ranka laikykite apatinę rankeną, o kita ranka stumkite pjovimo aukščio reguliavimo svirtelę.

► **Pav.25:** 1. Pjovimo aukščio reguliavimo svirtis
2. Apatinė rankena

PASTABA: Žolės pjovimo aukščio paveikslėliai yra tik orientacinio pobūdžio. Atsižvelgiant į vejos ar žemės paviršiaus sąlygas, faktinis vejos aukštis gali šiek tiek skirtis nuo nustatytojo.

PASTABA: Pradžioje pabandykite pjauti žolę mažiau pasibėtimoje vietoje, kad nustatytumėte pageidaujamą aukštį.

Žolės lygio indikatorius

Žolės lygio indikatorius rodo nupjautos žolės tūrį. Kai žolės surinkimo krepšys nepilnas, peiliams sukantis indikatorius plevena.

► **Pav.26:** 1. Žolės lygio indikatorius

Kai žolės surinkimo krepšys beveik pilnas, peiliams sukantis indikatorius neplevena. Tokiu atveju nedelsdami nutraukite darbą ir ištuštinkite krepšį.

► **Pav.27:** 1. Žolės lygio indikatorius

PASTABA: Šis indikatorius nėra tikslus kontrolinis įtaisas. Atsižvelgiant į krepšio viduje esančias sąlygas, šis indikatorius gali veikti netinkamai.

Rankenos aukščio reguliavimas

Rankenos aukštį galima nustatyti į du lygius.

1. Paimkite už apatinės rankenos ir pasukite rankenėlę 90° kampu, traukdami apatinės rankenos rankenėlę, kad atleistumėte užrakinimo kaištį. Tą pačią procedūrą pakartokite kitoje pusėje.

► **Pav.28:** 1. Apatinė rankena 2. Rankenėlė

PASTABA: Prilaikant rankeną ir traukiant rankenėlę, lengviau atleisti užrakinimo kaištį.

2. Nustatykite rankenos aukštį ir pasukite rankenėlę abiejose pusėse 90° kampu. Įsitikinkite, kad rankenėlis saugiai užfiksuotas.

► **Pav.29:** 1. Rankenėlė

Važiavimo greičio reguliavimas

Skirta DLM481 / DLM539

► **Pav.30:** 1. Greičio svirtelė

Važiavimo greitį galima reguliuoti greičio svirtelė. Jei norite sumažinti greitį, patraukite svirtelę savęs link, o jei norite padidinti greitį, pastumkite svirtelę pirmyn.

Mulčiavimo kaišcio naudojimas

Mulčiavimo kaištis leidžia grąžinti nupjautą žolę ant žemės paviršiaus, kad ji nesikauptų žolės surinkimo krepšyje. Mašiną naudojant su mulčiavimo kaiščiu, būtina nuimti žolės surinkimo krepšį.

PASTABA: Mašiną naudodami su mulčiavimo kaiščiu, užtikrinkite, kad bendras žolės ilgis po pjovimo būtų 30 mm ar didesnis, o pjovimo ilgis būtų 15 mm ar mažesnis.

► **Pav.31:** (1) 30 mm ar daugiau (2) 15 mm ar mažiau

Galinės išmetimo dalies naudojimas

Galinė išmetimo dalis leidžia išmesti nupjautą žolę ant žemės paviršiaus iš galinės mašinos pusės, kad ji nesikauptų žolės surinkimo krepšyje.

Naudodami mašiną su galine išmetimo dalimi, būtinai išimkite žolės surinkimo krepšį ir mulčiavimo kaištį bei uždarykite galinį dangtelį.

Elektroninė funkcija

Mašina turi paprastas naudoti elektronines funkcijas.

- Švelnus paleidimas įjungus
Švelnaus paleidimo funkcija iki minimumo sumažina paleidimo smūgį ir leidžia sklandžiai paleisti mašiną.
- Elektrinis stabdiklis
Šioje mašinoje įrengtas elektrinis stabdiklis. Jei kaskart atleidus svirtinį jungiklį mašina ne iškart sustabdo veļapjovės peilius, pristatykite ją į įgaliotąjį „Makita“ techninės priežiūros centrą, kad atliktų techninę priežiūrą.

NAUDOJIMAS

Žolės pjovimas

▲JSPĖJIMAS: Prieš pradėdami pjauti žolę, surinkite nuo vejos šakas ir akmenis. Prieš pradėdami pjauti žolę, taip pat išraukite visas piktžoles.

▲JSPĖJIMAS: Naudodami veļapjovę, visada dėvėkite apsauginius akinius arba apsauginius akinius su šoniniais apsauginiais skydais.

▲PERSPĖJIMAS: Jei nupjauta žolė ar svetimkūnis užblokuoja veļapjovės korpuso vidų, prieš pašalindami žolę ar svetimkūnį, būtinai nuimkite blokavimo raktą ir akumuliatoriaus kasetę ir šalindami žolę ar svetimkūnį mūvēkite pirštines.

PASTABA: Įrenginį naudokite tik veļai pjauti. Šiuo įrenginiu nepjaukite piktžolių.

► **Pav.32**

Pjaudami žolę, tvirtai abiem rankomis laikykite rankeną. Pjovimo greičio orientyras yra maždaug 7–14 metrų per 10 sekundžių.

► **Pav.33**

PASTABA: Jei, pjudami aukštą arba tankią veją, pastebėjote jos aukščio netolygumų arba prastos pjovimo kokybės apraiškų, taip pat jei pjaunant veją sumažėjo variklio sukimosi greitis, sumažinkite pjovimo greitį (dar labiau, nei rekomenduojama šiame vadove) arba padidinkite pjovimo aukštį.

Priekinių ratų vidurio linijos yra pjovimo pločio orientyrai. Vadovaudamiesi vidurio linijomis kaip orientyrais, pjunkite juostomis. Jei norite tolygiai nupjauti veją, pjaunant naują juostą, turi persidengti nuo pusės iki trečdaliao ankstesnės juostos.

► **Pav.34:** 1. Pjovimo plotis 2. Persidengianti sritis 3. Vidurio linija

Kaskart pakeiskite pjovimo kryptį, kad vejos pjovimo raštas nesusiformuotų tik viena kryptimi.

► **Pav.35**

Reguliariai tikrinkite nupjautos žolės surinkimo krepšį. Ištuštininkite krepšį, kol jis dar nėra pilnas. Prieš kiekvieną reguliarią patikrinimą būtinai sustabdykite veją, tada ištraukite fiksavimo raktą ir akumulatoriaus kasetę.

PASTABA: Naudojant veją su pilnu žolės surinkimo krepšiu, peiliai negali tolygiai sukis, o varikliui tenka papildoma apkrova, todėl jis gali sugesti.

Aukštos vejos pjovimas

Nebandykite nupjauti aukštos vejos per vieną kartą. Vietoj to pjunkite veją etapais. Tarp pjovimų darykite vienos arba dviejų dienų pertraukas, kol veja taps vienodai trumpa.

► **Pav.36**

PASTABA: Mėginant iš karto nupjauti veją trumpai, galima ją sugadinti. Be to, nupjauta žolė gali susikaupti veją korpuse ir ją užkimšti.

PASTABA: Jei nupjovę veją pastebėsite jos ilgio netolygumų arba prastos pjovimo kokybės reiškinių, taip pat jei pjaunant veją sumažės variklio sūkliai, sumažinkite pjovimo greitį arba padidinkite pjovimo aukštį.

Žolės surinkimo krepšio ištuštinimas

ĮSPĖJIMAS: Norėdami sumažinti nelaimingų atsitikimų pavojų, reguliariai tikrinkite žolės surinkimo krepšį, ar jis nesugadintas arba nesusilpnėjęs. Jei reikia, pakeiskite žolės surinkimo krepšį.

1. Atleiskite svirtinį jungiklį ir pavaros svirtį (DLM481 / DLM539) arba atleiskite svirtinį jungiklį (DLM480 / DLM538).

2. Ištraukite fiksavimo raktą.

3. Atidarykite galinį gaubtą ir nuimkite žolės surinkimo krepšį, suėmę jį už jo rankenos.

► **Pav.37:** 1. Galinis dangtelis 2. Rankena 3. Žolės surinkimo krepšys

4. Išpilkite žolę iš žolės surinkimo krepšio.

TECHNINĖ PRIEŽIŪRA

ĮSPĖJIMAS: Prieš pastatydami veją į vietą arba ją nešdami, prieš pradėdami jos tikrinimo arba techninės priežiūros darbus, visuomet įsitikinkite, ar blokavimo raktas ištrauktas, o akumulatoriaus kasetė išimta.

ĮSPĖJIMAS: Kai veją nenaudojate, visada išimkite fiksavimo raktą. Fiksavimo raktą laikykite saugioje, vaikams nepasiekiamoje vietoje.

ĮSPĖJIMAS: Atlikdami patikrinimo arba techninės priežiūros darbus, mūvėkite pirštines.

ĮSPĖJIMAS: Naudodami arba prižiūrėdami veją, visada dėvėkite apsauginius akinius arba apsauginius akinius su šoniniais apsauginiais skydais.

PASTABA: Niekada nenaudokite gazolino, benzino, tirpiklio, spirito arba panašių medžiagų. Gali atsirasti išblukimų, deformacijų arba įtrūkimų.

Kad gaminys būtų SAUGUS ir PATIKIMAS, jį taisyti, apžiūrėti ar vykdyti bet kokią kitą priežiūrą ar derinimą turi įgaliotasis kompanijos „Makita“ techninės priežiūros centras; reikia naudoti tik kompanijos „Makita“ pagamintas atsargines dalis.

Priežiūra

1. Ištraukite blokavimo raktą ir akumulatoriaus kasetę, tada uždenkite akumulatoriaus skyriaus gaubtą.

2. Paguldykite veją ant šono. Išvalykite žolės nuopjovas, susikaupusias ant veją dugno.

3. Pilkite vandenį mašinos apačios link, kur pritvirtintas peilis.

PASTABA: Neplaukite mašinos aukšto slėgio vandeniui.

4. Patikrinkite, ar tvirtai priveržtos visos veržlės, varžtai ir pan.

5. Apžiūrėkite visas judamąsias dalis, ar jos nėra sugadintos, sulūžusios ar nusidėvėjusios. Sugadintas arba trūkstamas dalis reikia remontuoti arba keisti naujomis.

6. Veją laikykite saugioje, vaikams nepasiekiamoje vietoje.

Skirta DLM481 / DLM539

PASTABA: Nepilkite vandens į sritį, parodytą paveikslėlyje. Įpylus vandens į variklio bloką, mašina gali sugesti.

► **Pav.38:** 1. Sritis, į kurią negalima pilti vandens

Skirta DLM481 / DLM539

PASTABA: Nepilkite vandens ant įrenginio, kai šis pastatytas stačias, kaip parodyta iliustracijoje. Kai įrenginys stovi stačias, vanduo gali patekti į variklio bloką ir sutrikdyti įrenginio veikimą.

► **Pav.39**

Vejapjovės nešimas

⚠ PERSPĖJIMAS: Prieš nešdami vejapjovę įsitikinkite, kad išimta akumuliatoriaus kasetė ir blokavimo raktas.

Nešant vejapjovę, galinę rankeną ir apatinę laikymo dalį įrenginio priekyje turi laikyti du žmonės, kaip parodyta paveikslėlyje.

► **Pav.40:** 1. Apatinė laikymo dalis 2. Galinė rankena

Laikymas

⚠ PERSPĖJIMAS: Prireikus pastatyti įrenginį stačią įsitikinkite, kad pagrindas, ant kurio stotė, yra plokščias ir stabilus. Jei įrenginį statysite ant nestabilius pagrindo, jis gali nuvirsti ir ką nors sužaloti.

Vejapjovę laikykite vėsioje, sausoje rakinamoje patalpoje. Vejapjovės ir kroviklio nelaikykite tokiose vietose, kur temperatūra gali siekti arba viršyti 40 °C.

1. Išimkite akumuliatorių ir užrakinimo raktelį.
2. Pasukite rankenėlę 90° kampu traukdami apatinės rankenos rankenėlę, kad atleistumėte užrakinimo kaištį. Tą pačią procedūrą pakartokite kitoje pusėje ir tada nulenkite rankeną.

► **Pav.41:** 1. Rankenėlė

PASTABA: Prilaukiant rankeną ir traukiant rankenėlę, lengviau atleisti užrakinimo kaištį.

3. Pasukite rankenėlę abiejose pusėse 90° kampu. Įsitikinkite, kad rankenėlės saugiai užfiksuotos.

Skirta DLM481 / DLM539

► **Pav.42:** 1. Rankenėlė

Skirta DLM480 / DLM538

► **Pav.43:** 1. Rankenėlė

PASTABA: Lenkdami rankeną, būkite atidūs, kad neprispaustumėte kabelių.

4. Abiejose pusėse atlaisvinkite sparnuotąsias veržles ir nulenkite viršutinę rankeną, kaip pavaizduota iliustracijoje.

► **Pav.44:** 1. Sparnuotoji veržlė 2. Viršutinė rankena

5. Pastatykite įrenginį stačią.

PASTABA: Statydami vejapjovę stačią, laikykite ne tik už rankenos, bet ir už vejapjovės korpuso.

6. Sandėliuokite žolės krepšį, kaip parodyta iliustracijoje.

► **Pav.45:** 1. Žolės surinkimo krepšys

► **Pav.46:** 1. Žolės surinkimo krepšys

Vejapjovės peilio uždėjimas ir nuėmimas

⚠ JSPĖJIMAS: Atleidus jungiklį, peilis sukasi iš inercijos dar kelias sekundes. Kol peilis visiškai nesustoja, nepradėkite dirbti.

⚠ JSPĖJIMAS: Nuimdami arba montuodami peilį, visada ištraukite fiksavimo raktą ir akumuliatoriaus kasetę. Neištraukus fiksavimo rakto ir akumuliatoriaus kasetės, galima sunkiai susižeisti.

⚠ JSPĖJIMAS: Montuodami peilį, visuomet mūvėkite pirštines.

PASTABA: Nuimdami arba įrengdami vejapjovės peilį, naudokite įrenginio pakuotėje esantį veržliaraktį.

Vejapjovės peilio nuėmimas

1. Paverskite vejapjovę ant šono taip, kad pjovimo aukščio reguliavimo svirtis būtų apačioje.
2. Kad peilis nepasisuktų, į vejapjovės korpuse esančią angą iki pat galo įkiškite kaištį.
3. 17 dydžio veržliaraktį pasukite varžtą prieš laikrodžio rodyklę.
► **Pav.47:** 1. Vejapjovės peilis 2. Smaigas 3. Veržliaraktis
4. Išimkite varžtą, tada nuimkite vejapjovės peilį.
► **Pav.48:** 1. Peilio atrama 2. Vejapjovės peilis 3. Varžtas 4. Iškyša

PASTABA: Kai montuojate vejapjovės peilį, įsitikinkite, kad iškyšos ant peilio atramos įlenda į angas ant vejapjovės peilio.

Vejapjovės peilio įdėjimas

⚠ JSPĖJIMAS: Uždėdami vejapjovės peilį būkite atidūs. Jis turi viršutinę / apatinę puses.

⚠ JSPĖJIMAS: Tvirtai priveržkite varžtą, sukdami jį pagal laikrodžio rodyklę, kad užfiksuotumėte peilį.

⚠ JSPĖJIMAS: Įsitikinkite, kad vejapjovės peilis ir visos tvirtinamosios dalys tinkamai uždėtos ir tvirtai priveržtos.

⚠ JSPĖJIMAS: Keisdami peilius visada laikykite šią vadove pateiktą instrukciją.

PASTABA: Kai montuojate vejapjovės peilį, varžtą priveržkite 19–29 N•m sukimo momentu (vertės yra tik orientacinės).

PASTABA: Sumontavę vejapjovės peilius, ištraukite smaigą iš vejapjovės korpuso.

Norėdami sumontuoti vejapjovės peilius, atlikite nuėmimo procedūrą atvirkštine tvarka.

GEDIMŲ ŠALINIMAS

Prieš kreipdamiesi dėl remonto darbų, pirmiausia patikrinkite gedimus patys. Jeigu susidursite su problema, kuri nėra paaiškinta vadove, nemėginkite išrinkti mašinos. Verčiau kreipkitės į įgaliotuosius „Makita“ techninės priežiūros centrus, kuriuose remontui visuomet naudojamos „Makita“ pakaitinės dalys.

Neįprasta būklė	Tikėtina priežastis (triktis)	Ištaisomoji priemonė
Vejapjovė neįsijungia.	Neįdėtos dvi akumuliatoriaus kasetės.	Įdėkite dvi įkrautas akumuliatoriaus kasetes.
	Akumuliatoriaus problema (per maža įtampa)	Įkraukite akumuliatoriaus kasetę. Jei įkrovimas nepadaeda, pakeiskite akumuliatoriaus kasetę.
	Neįkištas blokavimo raktelis.	Įkiškite blokavimo raktelį.
Trumpai panaudojus variklis nustoja veikęs.	Žemas akumuliatoriaus įkrovos lygis.	Įkraukite akumuliatoriaus kasetę. Jei įkrovimas nepadaeda, pakeiskite akumuliatoriaus kasetę.
	Pjovimo aukštis per mažas.	Padidinkite pjovimo aukštį.
	Nupjauta žolė vejapjovėje sudarė kamštį.	Pašalinkite iš vejapjovės nupjautos žolės kamštį.
Variklis nepasiekia didžiausio sūkių skaičiaus per minutę.	Netinkamai įdėta akumuliatoriaus kasetė.	Akumuliatoriaus kasetę įdėkite, kaip aprašyta šiame vadove.
	Mažėja akumuliatoriaus galia.	Įkraukite akumuliatoriaus kasetę. Jei įkrovimas nepadaeda, pakeiskite akumuliatoriaus kasetę.
	Netinkamai veikia pavaros sistema.	Dėl remonto kreipkitės į vietinį įgaliotąjį techninės priežiūros centrą.
Vejapjovės peilis nesisuka: ⇒ nedelsdami sustabdykite vejapjovę!	Šalia peilio įstrigo pašalinis objektas, pvz., šaka.	Pašalinkite pašalinį objektą.
	Netinkamai veikia pavaros sistema.	Dėl remonto kreipkitės į vietinį įgaliotąjį techninės priežiūros centrą.
Neįprasta vibracija: ⇒ nedelsdami sustabdykite vejapjovę!	Peilis nesubalansuotas, pernelyg ar netolygiai nusidėvėjęs.	Pakeiskite peilį.

PASIRENKAMI PRIEDAI

⚠ PERSPĖJIMAS: Su šiame vadove nurodyta „Makita“ mašina rekomenduojama naudoti šiuos įtaisus arba priedus. Naudojant bet kokius kitus įtaisus arba priedus, gali kilti pavojus sužaloti žmogus. Įtaisus arba priedus naudokite tik pagal nurodytą paskirtį.

Jeigu norite daugiau sužinoti apie tuos priedus, kreipkitės į artimiausią „Makita“ techninės priežiūros centrą.

- Vejapjovės peilis
- Originalūs „Makita“ akumuliatoriai ir įkroviklis

PASTABA: Kai kurie sąrašė esantys priedai gali būti pristatomi gaminio pakuotėje kaip standartiniai priedai. Įvairiose šalyse jie gali skirtis.

TEHNILISED ANDMED

Mudel:	DLM480	DLM481	DLM538	DLM539
Niitmislaius (tera läbimõõt)	480 mm		534 mm	
Koormuseta kiirus	3 100 min ⁻¹		3 000 min ⁻¹	
Vahetatava niiduki tera osa number	Sirge niiduki tera	191V97-3		191V96-5 / 191W87-2
	Multšimistera	191Y64-6		191Y65-4
Mõõtmed (P × L × K)	töötamise ajal	P: 1 690 mm kuni 1 740 mm L: 530 mm K: 930 mm kuni 1 060 mm	P: 1 810 mm kuni 1 870 mm L: 580 mm K: 920 mm kuni 1 040 mm	
	hoiustatult (ilma murukogujata)	580 mm × 530 mm × 870 mm		610 mm × 580 mm × 925 mm
Liikumiskiirus	–	2,5 – 5,0 km/h	–	2,5 – 5,0 km/h
Nimipinge	Alalisvool 36 V			
Netokaal	24,5 - 26,8 kg	27,0 - 29,3 kg	25,5 - 28,0 kg	27,9 – 30,4 kg
Kaitseaste	IPX4			

- Meie pideva uuringu- ja arendusprogrammi tõttu võidakse tehnilisi andmeid muuta ilma sellest ette teatamata.
- Tehnilised andmed võivad riigiti erineda.
- Kaal võib erineda olenevalt lisaseadistest, kaasa arvatud akukassetist. Kergeim ja raskeim kombinatsioon EPTA-protseduuri 01/2014 kohaselt on toodud tabelis.

Sobiv akukassett ja laadija

Akukassett	BL1815N / BL1820B / BL1830B / BL1840B / BL1850B / BL1860B
Laadija	DC18RC / DC18RD / DC18RE / DC18SD / DC18SE / DC18SF / DC18SH / DC18WC







- Mõned eespool loetletud akukassetid ja -laadijad ei pruugi olla teie riigis saadaval.

⚠ HOIATUS: Kasutage ainult ülalpool loetletud akukasseid ja laadijaid. Muude akukassetide ja laadijate kasutamine võib tekitada vigastusi ja/või tulekahju.

⚠ HOIATUS: Ärge kasutage selle masinaga juhtmega vooluvarustust nagu akuadapter või portatiivne akukomplekt. Sellise vooluvarustuse juhe võib tööd takistada ja põhjustada kehavigastusi.

Sümbolid

Alljärgnevalt kirjeldatakse tingimärke, mida võidakse seadmel kasutada. Enne seadme kasutamist tehke endale selgeks nende tähendus.

	Olge äärmiselt ettevaatlik ja tähelepanelik.
	Lugege juhendit.
	Ohtlik; pidage silmas õhkupaiskuvaid objekte.
	Seadme ja kõrvalseisjate vaheline vahekaugus peab olema vähemalt 15 m.
	Ärge pange kunagi käsi või jalgu niiduki all oleva löiketera lähedusse. Niiduki löiketerad pöörlevad edasi ka pärast mootori väljalülitamist.
	Eemaldage lukustusvõti enne niiduki kontrollimist, reguleerimist, puhastamist, hooldamist, järelevalvet ja hoiustamist.



Hoiatus; lahutage aku enne hooldamist.



Elektrilöögihoht. Kokkupuude veega võib põhjustada elektrilöögi.



Ärge valage sellele vett.



Ni-MH
Li-ion

Ainult EL-i riikide puhul
Seadmes sisalduvate ohtlike osade tõttu võivad elektri- ja elektroonikaseadmete jäätmed, akud ja patareid avaldada negatiivset mõju keskkonnale ja inimeste tervisele. Elektri- ja elektroonikaseadmeid ega akusid ei tohi kõrvaldada koos olmejäätmetega! Euroopa elektri- ja elektroonikaseadmete jäätmete, akude ja patareide ning nende jäätmete direktiivi ja riiklikku õigusesse ülevõtmise kohaselt tuleb elektri- ja elektroonikaseadmete, akude ja patareide jäätmed koguda eraldi ning viia eraldiseisvasse olmejäätmete kogumispunkti, mis tegutseb kooskõlas keskkonnakaitse eeskirjadega. Sellele osutab seadmele paigaldatud läbikriipsutatud rätastega prügikasti sümbol.



Garanteeritud helivõimsustase ELi välisingimustes kasutatavate seadmete müra direktiivi kohasel.



Helivõimsustase Austraalia NSW müra-kontrolli määruse kohaselt

Kavandatud kasutus

Masin on ette nähtud muru niitmiseks.

Müra

Tüüpiline A-korrigeeritud müratase, määratud standardi EN IEC 62841-4-3 kohaselt:

Mudel	Mõõdetud helivõimsuse tase (L_{WA}): (dB(A))	Garanteeritud helivõimsuse tase (L_{WA}): (dB(A))
DLM480	92	95
DLM481	92	95
DLM538	95	98
DLM539	95	98

Mudel	Helirõhutase (L_{pA}): (dB(A))	Helirõhutaseme määramatus (K): (dB(A))
DLM480	84	3
DLM481	84	3
DLM538	85	3
DLM539	85	3

MÄRKUS: Deklareeritud müra väärtust (väärtuseid) on mõõdetud kooskõlas standardse katsemeetodiga ning seda võib kasutada ühe seadme võrdlemiseks teisega.

MÄRKUS: Deklareeritud müra väärtust (väärtuseid) võib kasutada ka mürataseme esmaseks hindamiseks.

⚠️HOIATUS: Kasutage kõrvakaitsmeid.

⚠️HOIATUS: Müratase võib elektritööriista tegelikkuses kasutamise ajal erineda deklareeritud väärtus(t)est olenevalt tööriista kasutusviisidest ja eriti töödeldavast toorikust.

⚠️HOIATUS: Rakendage operaatori kaitsmiseks kindlasti piisavaid ohutusabinõusid, mis põhinevad hinnangulisel müratasemel tegelikus tööolukorras (võttes arvesse tööperioodi kõiki osasid, näiteks korrad, kui seade lülitatakse välja ja seade töötab tühikäigul, lisaks tööajale).

Vibratsioon

Vibratsiooni koguväärtus (kolmeteljeliste vektorite summa) määratud standardi EN IEC 62841-4-3 kohaselt:

Mudel DLM480

Vibratsiooniindeksi (a_h): 2,5 m/s² või vähem
Määramatus (K): 1,5 m/s²

Mudel DLM481

Vibratsiooniindeksi (a_h): 2,5 m/s² või vähem
Määramatus (K): 1,5 m/s²

Mudel DLM538

Vibratsiooniindeksi (a_h): 2,5 m/s² või vähem
Määramatus (K): 1,5 m/s²

Mudel DLM539

Vibratsiooniindeksi (a_h): 2,5 m/s² või vähem
Määramatus (K): 1,5 m/s²

MÄRKUS: Deklareeritud vibratsiooni koguväärtust (-väärtuseid) on mõõdetud kooskõlas standardse katsemeetodiga ning seda võib kasutada ühe seadme võrdlemiseks teisega.

MÄRKUS: Deklareeritud vibratsiooni koguväärtust (-väärtuseid) võib kasutada ka mürataseme esmaseks hindamiseks.

⚠️HOIATUS: Vibratsioonitase võib elektritööriista tegelikkuses kasutamise ajal erineda deklareeritud väärtus(t)est olenevalt tööriista kasutusviisidest ja eriti töödeldavast toorikust.

⚠️HOIATUS: Rakendage operaatori kaitsmiseks kindlasti piisavaid ohutusabinõusid, mis põhinevad hinnangulisel müratasemel tegelikus tööolukorras (võttes arvesse tööperioodi kõiki osasid, näiteks korrad, kui seade lülitatakse välja ja seade töötab tühikäigul, lisaks tööajale).

Vastavusdeklaratsioon

Ainult Euroopa riikide puhul

Vastavusdeklaratsioonid on selle juhendi A-lisas.

OHUTUSHOIATUSED

Üldised elektritööriistade ohutushoiatused

⚠️HOIATUS Lugege läbi kõik selle elektritööriistaga kaasas olevad ohutushoiatused, juhised, illustratsioonid ja tehnilised andmed. Alljärgnevate juhiste eiramine võib põhjustada elektrilöögi, süttimise ja/või raske kehavigastuse.

Hoidke edaspidisteks viide- teks alles kõik hoiatused ja juhtnõidid.

Hoiatustes kasutatud termini „elektritööriist“ all peetakse silmas elektriga töötavaid (juhtmega) elektritööriistu või akuga töötavaid (juhtmeta) elektritööriistu.

Juhtmeta muruniiduki ohutushoiatused

- Ärge kasutage muruniidukit halbades ilmastikuoludes, eriti kui valitseb äikeseoht.** Sellega vähendate pikselöögiohtu.
- Kontrollige põhjalikult eluslooduse ala, kus muruniidukit kasutate.** Muruniiduk võib töötamise ajal metsloomi vigastada.
- Kontrollige põhjalikult ala, kus muruniidukit kasutate ning eemaldage kõik kivid, pulgad, traadid, luud ja muud võõrkehad.** Masina alt lendav ese võib tekitada kehavigastusi.

4. **Enne muruniiduki kasutamist kontrollige alati visuaalselt, et tera ja terakomplekt poleks kulunud ega kahjustatud.** Kulunud või kahjustatud osad suurendavad vigastuste ohtu.
5. **Kontrollige murupüüdur sageli kulumist või muul viisil kahjustumist.** Kulunud või kahjustatud murupüüdur võib suurendada kehavigastuste ohtu.
6. **Hoidke kaitsmed oma kohal. Kaitsmed peavad olema töökorras ja korralikult paigaldatud.** Kaitse, mis on tulnud lahti, kahjustatud või ei tööta korralikult, võib tekitada kehavigastusi.
7. **Hoidke kõik jahutusõhu avad prahist puhtad.** Blokeeritud õhu sisselaskeavad ja praht võivad põhjustada ülekuumenemist või tuleohtu.
8. **Kandke muruniidukiga töötamise ajal alati mitelibisevaid ja kaitsvaid jalatseid. Ärge töötage muruniidukiga, kui olete paljajalu või kannate lahtisi sandaale.** See vähendab kokkupuutel liikuva teraga jalgade vigastamise võimalust.
9. **Kandke muruniidukiga töötamise ajal alati pikki pükse.** Katmata nahk suurendab masina alt lendavatest esemetest tekkivate vigastuste tõenäosust.
10. **Vältige muruniiduki kasutamist märjas rohus. Kõndige, ärge kunagi jookske.** See vähendab libisemise ja kukkumise ohtu, mis võib tekitada kehavigastusi.
11. **Ärge kasutage muruniidukit liiga järskuldel kallakutel.** See vähendab kontrolli kaotamise, libisemise ja kukkumise ohtu, mis võib tekitada kehavigastusi.
12. **Kallakutel töötades veenduge alati, et teie jalgealune oleks kindel, töötage alati kallaku esiküljega risti, mitte kunagi üles või alla ning olge suunda muutes alati väga ettevaatlik.** See vähendab kontrolli kaotamise, libisemise ja kukkumise ohtu, mis võib tekitada kehavigastusi.
13. **Olge eriti ettevaatlik muruniidukit tagurpidi liigutades või enda poole tõmmates. Jälgige alati ümbritsevat.** See vähendab töötamise ajal komistamise ohtu.
14. **Ärge puudutage terasid ega muid ohtlikke liikuvaid osi, kui need veel liiguvad.** See vähendab liikuvatest osadest tekitatud vigastuste ohtu.
15. **Kinnijäänud materjali eemaldamisel või muruniiduki hooldamisel veenduge, et kõik toitelülitid oleks välja lülitatud ning akupakk oleks lahti ühendatud.** Muruniiduki juhuslik käivitamine võib tekitada raskeid kehavigastusi.

Lisaohutushoiatused

Õpe

1. **Lugege tähelepanelikult juhiseid. Õppige põhjalikult tundma niiduki juhtimisseadiseid ja õiget kasutamist.**
2. **Mitte mingil juhul ärge lubage niidukit kasutada lastel ega isikutel, kes pole tutvunud kasutusjuhendiga. Kohalikud määrused võivad seada piiranguid kasutaja vanusele.**
3. **Ärge kunagi kasutage niidukit siis, kui läheduses viibivad inimesed (eriti lapsed) või lemmikloomad.**

4. **Pidage meeles, et muruniiduki omanik või kasutaja vastutab teistele isikutele põhjustatud vigastuste või nende varale tekitatud kahjustuste eest.**

Ettevalmistus

1. **Enne niitmise alustamist veenduge, et niideta-val alal poleks teisi inimesi. Seisake niiduk, kui keegi siseneb niidetavale alale.**
2. **Ärge sisestage lukustusvõtit niidukisse, kuni see pole kasutamiseks valmis.**
3. **Jälgige auke, rööpaid, muhke, kive või muid varjatud esemeid.** Ebatasane maapind võib põhjustada libisemist ja kukkumist. Pika muru sisse võivad olla peidetud takistused.
4. **Ärge sisestage ega eemaldage lukustusvõtit vihma käes.**

Kasutamine

1. **Seisake niiduk ja eemaldage lukustusvõti ning veenduge, et kõik liikuvad osad oleksid täielikult peatunud**
 - alati, kui niiduki juurest lahkute;
 - enne takistuste või väljaviskerennist ummistuste eemaldamist;
 - enne niiduki kontrollimist, puhastamist või hooldamist.
2. **Kui niiduki löiketera tabab võõrkeha, toimige järgmiselt:**
 - Seisake niiduk, vabastage hooblüliti ja oodake, kuni löiketera on täielikult peatunud.
 - Eemaldage lukustusvõti ja akukassett.
 - Kontrollige hoolikalt, ega niidukil pole kahjustusi.
 - Vahetage löiketera välja, kui see on mingil moel kahjustada saanud. Enne niiduki taaskäivitamist ja töö jätkamist parandage kõik kahjustused.
3. **Kui niiduk hakkab ebatavaliselt vibreerima või märkate midagi muud ebatavalist, toimige kohe alljärgnevalt.**
 - Seisake niiduk, vabastage hooblüliti ja oodake, kuni löiketera on täielikult peatunud.
 - Eemaldage lukustusvõti ja akukassett.
 - Kontrollige kahjustuste esinemist ja vahetage kahjustunud osad välja.
 - Kontrollige osade pingust ja pingutage lahtiseid osi.
4. **Ärge kasutage kunagi niidukit, mille kaitsekatted on defektsed või mille ohutusseadised (nt suunaja ja/või murukogur) on eemaldatud.**
5. **Töötage niidukiga ainult päevavalguses või hea tehisvalgustuse olemasolul.**
6. **Niiduki sisselülitamisel järgige tähelepanelikult juhtnööre ja hoidke jalad löiketera(de)st eemal.**
7. **Olge tähelepanelik, et te ei vigastaks niiduki teradega oma jalgu ega käsi.**
8. **Seisake löiketera(d), kui niidukit tuleb kallutada, et liikuda üle alade, mis ei ole muruga kaetud, ning siis, kui viite niidukit niitmisalale või sealt ära.**

9. Ärge kallutage niidukit, kui mootorit sisse lülitate, v.a juhul, kui see on käivitamiseks vajalik. Sellisel juhul ärge kallutage niidukit rohkem kui vaja ning tõstke ainult seda osa, mis jääb kasutajast eemale. Enne niiduki maapinnale tagasi asetamist veenduge alati, et mõlemad käded oleksid tööasendis.
10. Ärge pange käsi ja jalgu pöörlevate osade lähedale ega nende alla. Hoidke väljaviskeava alati takistustest puhtana.
11. Hoidke alati käepidemest kindlalt kinni.
12. Ärge haarake niidukit hoides või üles tõstes katmata lõiketeradest või -servadest.
13. Hoidke käd ja jalad pöörlevatest lõiketeradest eemal. Ettevaatust! Toite väljalülitamise järel pöörlevad terad vaba hooga edasi.
14. Kui niidukil on lõikekõrguse reguleerimise võimalus, ärge püüdke reguleerida niitmiskõrgust niiduki töötamise ajal.
15. Vabastage hooblüüti ja oodake lõiketera seiskumist, enne kui sõidate niidukiga üle sisesõiduteede, kõnniteede, teede või kruusaga kaetud alade. Samuti eemaldage lukustusvõti, kui lahkute niiduki juures, küünitate midagi oma teelt üles võtma või eemaldama, või mõne muu põhjuse korral, mis ei lase teil oma tegevusele keskenduda.
16. Ärge seiske seadet käivitamise ajal väljavisk-eava ees.
17. Ärge kunagi suunake välja heidetavat materjali kellegi poole. Vältige materjali seinale või takistusele heitmist. Materjal võib kasutaja poole tagasi lennata. Kruusapindade ületamisel seisake tera.
18. Tõmmake niidukit tagasisuunas ainult äärmisel juhul. Kui peate niidukit aia või muu sarnase takistuse juurest eemale tõmbama, vaadake enne tagasisuunas liikumist alla ja seljataha.
19. Enne murupüüdu eemaldamist lülitage mootor välja ja oodake, kuni tera on täielikult peatunud. Olge ettevaatlik, sest terad liiguvad pärast väljalülitamist vabakäiguga edasi.
20. Masina kasutamisel porisel, libedal maapinnal või märjal kallakul pöörake tähelepanu kindlale jalgealusele.
21. Vältige töötamist halvas keskkonnas, kus kasutaja suurem väsimine on oodatav.
22. Ärge kasutage masinat halva ilmaga, kus nähtavus on piiratud. Muidu võib halb nähtavus põhjustada kukkumise või vale tegevuse.
23. Ärge ajage masinat sügavale lompi.
24. Kui märjad lehed või praht jäävad vihma tõttu imiavasse (tuulutusaken) kinni, siis eemaldage need.
25. Ärge kasutage masinat lumes.
26. Kui niidetud muru on märg, ummistub see tõenäoliselt masina sisse. Kontrollige regulaarselt masina seisukorda ja eemaldage vajaduse korral sinna kinni jäänud muru.
27. Masinaga töötamisel pöörake tähelepanu torudele ja juhtmetele.

Hooldus ja hoiundamine

1. Kontrollige ja hooldage niidukit regulaarselt.
2. Seadme ohutu talitluse tagamiseks hoidke kõik mutrid, poldid ja kruvid tugevasti pingulatuna.
3. Kontrollige murukogurit sageli kulumise või muul viisil kahjustumise suhtes. Enne hoiustamist veenduge alati, et murukogur oleks tühi. Ohutuse tagamiseks asendage kulunud murukogur alati tootja originaalosaaga.
4. Kasutage ainult juhendis kirjeldatud tootja originaallõiketeri.
5. Olge niiduki reguleerimisel ettevaatlik, et vältida sõrmede muljumist niiduki fikseeritud osade ja liikuvate lõiketerade vahele.
6. Kontrollige lõiketera fiksaatorpoliti regulaarselt korrektse pinguse suhtes.
7. Laske niidukil alati enne hoiustamist maha jahtuda.
8. Olge lõiketerade hooldamisel teadlik sellest, et kuigi toide on välja lülitatud, võivad lõiketerad siiski liikuda.
9. Ärge kunagi eemaldage ega muutke omavoliliselt kaitseseadmeid. Kontrollige nende töökorda regulaarselt. Ärge kunagi tehke midagi, mis häiriks kaitseseadme kavandatud funktsiooni või vähendaks kaitseseadme kaitsvõimet.
10. Ärge jätke masinat järelevalveta vihma kätte.
11. Ärge peske masinat kõrgsurvepesuriga.
12. Masina pesemise ajaks eemaldage aku ja lukustusvõti ning sulgege akukate. Valage vett masina põhja suunas, kuhu on kinnitatud lõiketera.
13. Masina hoiele panemisel vältige otsest päikesevalgust ja vihma ning see ei tohiks muutuda hoikokohas liiga kuumaks ega niiskeks.
14. Kontrollige ja hooldage masinat vihma eest kaitstud kohas.
15. Pärast masina kasutamist eemaldage kinnitud mustus ja kuivatage masin täielikult enne hoiundamist. Aastaajast või piirkonnast olenevalt võib külmumine tõrkeid põhjustada.

Elektriohutus ja aku ohutu talitus

1. Akut (akusid) ei tohi avada ega kahjustada. Väljavalgunud elektrilüüt on söövitava toimega ning võib kahjustada silmi ja nahka. See võib osutuda allaneelamisel mürgiseks.
2. Ärge laadige akut vihma käes ega märjas keskkonnas.
3. Ärge laadige akut välistingimustes.
4. Ärge käsitsege laadurit, sh laaduri pistikut ja laadimisterminale märgade kätega.
5. Ärge vahetage akut vihma käes.
6. Ärge tehke aku kontakte vee vm vedelikuga märjaks ega pange akut vee alla. Ärge jätke akut vihma kätte, samuti ärge laadige, kasutage ega hoiustage akut niiskeks või märjas kohas. Kui aku kontakt saab märjaks või vedelik tungib aku sisse, võib aku lühistuda ning tekkida ülekuumenemise, süttimise või plahvatuse oht.

7. Pärast masinast või laadijast aku eemaldamist kinnitage akukate kindlasti akule ja hoidke akut kuivas kohas.
8. Ärge vahetage akut märgade kätega.
9. Välitige ohtlikku keskkonda. Ärge kasutage masinat niisketes või märgades kohtades ega jätke seda vihma kätte. Masina sisse sattunud vesi suurendab elektrilöögiohtu.
10. Kui akukassett saab märjaks, laske vesi välja ja pühkige seda kuiva lapiga. Enne kasutamist kuivatage akukassett täielikult kuivas kohas.

HOIDKE JUHEND ALLES.

⚠️ HOIATUS: ÄRGE UNUSTAGE järgida toote ohutusnõudeid mugavuse või toote (korduskasutamise ga saavutatud) hea tundmise tõttu. VALE KASUTUS või kasutusjuhendi ohutuseeskirjade eiramine võib põhjustada tervisekahjustusi.

Akukassetiga seotud olulised ohutusjuhised

1. Enne akukassetti kasutamist lugege (1) akulaadiljal, (2) akul ja (3) seadmel olevad juhtnõidrid ja hoiatused läbi.
2. Ärge võtke akukassetti lahti ega muutke seda. See võib põhjustada tulekahju, liigset kuumust või plahvatuse.
3. Kui tööaeg järsult lüheneb, siis lõpetage kohe kasutamine. Edasise kasutamise tulemuseks võib olla ülekuumenemisoht, võimalikud põletused või isegi plahvatus.
4. Kui elektrolüüti satub silma, siis loputage silma puhta veega ja pöörduge koheselt arsti poole. Selline õnnetus võib põhjustada pimedaksjäämist.
5. Ärge tekitage akukassetis lühist:
 - (1) Ärge puutuge klemme elektrijuhtidega.
 - (2) Ärge hoidke akukassetti tööriistakastis koos metallesemetega, nagu naelad, mündid jne.
 - (3) Ärge tehke akukassetti märjaks ega jätke seda vihma kätte.

Aku lühis võib põhjustada tugevat elektri-voolu, ülekuumenemist, põletusi ning ka seadet tõsiselt kahjustada.

6. Ärge hoidke ega kasutage tööriista ja akukassetti kohtades, kus temperatuur võib tõusta üle 50 °C (122 °F).
7. Ärge põletage akukassetti isegi siis, kui see on saanud tõsiselt vigastada või on täiesti kulu- nud. Akukassett võib tules plahvatada.
8. Ärge naelutage, löigake, muljuge, visake akukassetti ega laske sel kukkuda, samuti ärge lööge selle pihnt kõva esemega. Selline tegevus võib põhjustada tulekahju, liigset kuumust või plahvatuse.
9. Ärge kasutage kahjustatud akut.
10. Sisalduvatele liitium-ioonakudele võivad kohal- duda ohtlike kaupade õigusaktide nõuded. Kaubanduslikul transportimisel, näiteks kolman- date poolte või transpordiettevõtete poolt, tuleb järgida pakendil ja siltidel toodud erinõudeid.

Transportimiseks ettevalmistamisel on vajalik pidada nõu ohtliku materjali ekspordiga. Samuti tuleb järgida võimalike riiklike regulatsioonide üksikasjalikumaid nõudeid.

Katke teibiga või varjake avatud kontaktid ja pakendage aku selliselt, et see ei saaks pakendis liukuda.

11. Kasutuskölbmatuks muutunud akukassetti kõrvaldamiseks eemaldage see tööriistast ja viige selleks ette nähtud kohta. Järgige kasu- tuskölbmatuks muutunud aku kõrvaldamisel kohalikke eeskirju.
12. Kasutage akusid ainult Makita heaks kiidetud toodetega. Akude paigaldamine selleks mitte ettenähtud toodetele võib põhjustada süttimist, ülemäärast kuumust, plahvatamist või elektrolüüdi lekkimist.
13. Kui tööriista ei kasutata pika ajaperioodi jook- sul, tuleb aku tööriistast eemaldada.
14. Kasutamise ajal ja pärast kasutamist võib akukassett kuumeneda, mis võib põhjustada põletusi või madala temperatuuri põletusi. Olge kuuma akukassetti kandmisel ettevaatlik.
15. Ärge puudutage tööriista klemmi kohe pärast kasutamist, sest see võib olla kuum ja põhjus- tada põletusi.
16. Hoidke akukassetti klemmid, avad ja sooned tükikestest, tolmust ja mullast puhtad. See võib põhjustada tööriista või aku ülekuumenemist, süttimist, purunemist ja talitlushäireid, mis võib lõppeda põletuste või kehavigastustega.
17. Kui tööriist ei kannata kasutamist kõrgepinge- geliinide lähedal, ärge kasutage akukassetti kõrgepingeliinide lähedal. Muidu võib tööriist või akukassett puruneda või sellel tõrge tekkida.
18. Hoidke akut lastele kättesaamatult.

HOIDKE JUHEND ALLES.

⚠️ ETTEVAATUST: Kasutage ainult Makita originaalakusid. Mitte Makita originaalakude või muudetud akude kasutamine võib põhjustada akude süttimise, kehavigastuse ja kahjustuse. Samuti muu- dab see kehtetuks Makita tööriista ja laadija Makita garantii.

Vihjeid aku maksimaalse kasu- tusaja tagamise kohta

1. Laadige akukassetti enne selle täielikku tühjenemist. Kui märkate, et tööriist töötab väiksema võimsusega, peatage töö ja laadige akukassetti.
2. Ärge laadige täielikult laetud akukassetti. Ülelaadimine lühendab akude kasutusiga.
3. Laadige akukassetti toatemperatuuril 10 °C - 40 °C. Enne laadimist laske kuumenenud aku- kassetil maha jahtuda.
4. Kui te ei kasuta parajasti akukassetti, eemal- dage see tööriistast või laadurist.
5. Kui te ei kasuta akukassetti kauem kui kuus kuud, laadige see.

KOKKUPANEK

⚠HOIATUS: Veenduge enne niidukil igasuguste tööde tegemist, et lukustusvõti ja akukassett oleks eemaldatud. Lukustusvõtme ja akukasseti eemaldamata jätmine võib põhjustada tõsiseid tervisekahjustusi, kui niiduk juhulikult käivitub.

⚠HOIATUS: Ärge käivitage kunagi niidukit, kui see pole täielikult monteeritud. Osaliselt kokkupandud masina juhulik käivitamine võib põhjustada tõsiseid kehavigastusi.

Käepideme paigaldamine

TÄHELEPANU: Käepidemete paigaldamisel jälgige, et juhe nende vahele ei jääks. Kui juhe on kahjustunud, ei pruugi niiduki lüliti toimida.

1. Viige alumises käepidemes olev ava kohakuti ülemises käepidemes oleva avaga, sisestage seejärel väljastpoolt polt ja keerake tiibmutter seestpoolt kinni. Korra sama protseduuri teisel pool.

Mudelil DLM481/DLM539

► **Joon.1:** 1. Polt 2. Tiibmutter 3. Alumine käepide 4. Ülemine käepide

Mudelil DLM480/DLM538

► **Joon.2:** 1. Polt 2. Tiibmutter 3. Alumine käepide 4. Ülemine käepide

2. Lukustustihvti vabastamiseks tõmmake alumisel käepidemel olevat nuppu ja keerake seda samal ajal 90°. Korra sama protseduuri teisel pool. Tõstke käepide üles ja keerake seejärel mõlemal poolel olevat nuppu 90°. Kontrollige nuppude tugevat kinnitust.

► **Joon.3:** 1. Nupp

MÄRKUS: Käepideme toetamine hõlbustab lukustus-tihvti vabastamist nupu tõmbamise ajal.

Multšimiskorgi eemaldamine

1. Avage tagakaas.

► **Joon.4:** 1. Tagakaas

2. Tõstke multšimiskork veidi üles ja eemaldage see.

► **Joon.5:** 1. Multšimiskork

Murukoguri kokkupanemine

1. Võtke murukoguri ülemisest klambrist.

► **Joon.6:** 1. Ülemine klamber

2. Paigaldage raam võimalikult sügavale murukogurisse, hoides raami käepidemest.

► **Joon.7:** 1. Käepide

TÄHELEPANU: Ärge sisestage käepidet murukogurisse. Sisestage raam kindlasti piki murukoguri õmblust.

3. Veenduge, et murukoguri nurgad ei oleks lodevad.

► **Joon.8**

4. Avage ülemine klamber ja kinnitage see raamile.

► **Joon.9**

5. Kinnitage kõik ülejäänud klambrid joonisel näidatud viisil. Veenduge, et kõik klambrid oleks kindlalt raami külge kinnitatud.

► **Joon.10:** 1. Klamber

Murukorvi paigaldamine või eemaldamine

Murukorvi paigaldamiseks tegutsuge järgmiselt.

1. Avage tagakaas.

► **Joon.11:** 1. Tagakaas

2. Hoidke murukorvi käepidemest ja seejärel haakige murukorv niiduki kerel olevale vardale, nagu on näidatud joonisel.

► **Joon.12:** 1. Murukogur 2. Käepide 3. Varras

Murukorvi eemaldamiseks avage tagakaas ja võtke käepidemest hoides murukorv välja.

Multšimiskorgi kinnitamine

1. Avage tagakaas ja eemaldage murukogur.

► **Joon.13:** 1. Tagakaas 2. Murukogur

2. Kinnitage multšimiskork, lükates selle nii kaugele kui võimalik, nii et multšimiskorgi endid siseneksid masinal olevatesse avadesse.

► **Joon.14:** 1. Multšimiskork 2. End

FUNKSIONAALNE KIRJELDUS

Akukasseti paigaldamine või eemaldamine

⚠ETTEVAATUST: Lülitage masin alati enne akukasseti paigaldamist või eemaldamist välja.

⚠ETTEVAATUST: Akukasseti paigaldamisel või eemaldamisel tuleb masinat ja akukassetti kindlalt paigal hoida. Kui masinat ja akukassetti ei hoita kindlalt paigal, võivad need käest libiseda ning kahjustada masinat ja akukassetti või põhjustada kehavigastusi.

⚠ETTEVAATUST: Enne kasutamist lukustage kindlasti akukate. Muidu võivad pori, muld või vesi põhjustada toote või akukasseti kahjustuse.

⚠ETTEVAATUST: Paigaldage akukassett alati täies ulatuses nii, et punane näidik poleks nähtaval. Muidu võib see juhulikult masinast välja kukkuda ja põhjustada teile või läheduses viibivatele isikutele vigastusi.

⚠ETTEVAATUST: Ärge rakendage akukasseti paigaldamisel jõudu. Kui kassett ei lähe kergesti sisse, pole see õigesti paigaldatud.

⚠ETTEVAATUST: Akukasseti paigaldamisel ja eemaldamisel hoidke akukatet tugevalt kinni.

MÄRKUS: See masin ei tööta ainult ühe akukassetiga.

Akukasetti paigaldamine

1. Tõmmake lukustushoob üles ja avage seejärel akukate.
► **Joon.15:** 1. Akukate 2. Lukustushoob
2. Viige akukasetti keel kohakuti masinal asuva pesaga ja lükake kasseti, kuni see klõpsatusega oma kohale kinnitub.
► **Joon.16:** 1. Akukasetti
3. Sisestage lukustusvõti joonisel näidatud kohta nii sügavale kui võimalik.
► **Joon.17:** 1. Lukustusvõti

4. Sulgege akukate ja vajutage sellele, kuni lukustushoob selle fikseerib.

Akukasetti eemaldamiseks:

1. Tõmmake lukustushoob üles ja avage akukate.
2. Tõmmake akukasetti masinast, lükates samal ajal kasseti esiküljel paiknevat nuppu.
3. Tõmmake lukustusvõti välja.
4. Sulgege akukate.

Masina/aku kaitsesüsteem

Masinal on masina/aku kaitsesüsteem. Süsteem lülitab mootori automaatselt välja, et pikendada masina ja aku tööiga. Masin seiskub käitamise ajal automaatselt, kui masina või aku kohta kehtib üks järgmistest tingimustest:

Ülekoormuskaitse

Kui akut kasutatakse viisil, mis põhjustab ebanormaalselt kõrget voolutaset, siis seiskub masin automaatselt ja toite märgutuli vilgub roheliselt. Sel juhul lülitage masin välja ja lõpetage masina ülekoormuse põhjustanud töö. Pärast seda käivitage masin uuesti.

Ülekuumenemiskaitse

Kui masin või aku on ülekuumenenud, seiskub masin automaatselt ja toite märgutuli süttib punaselt. Laske sellisel juhul masinal ja akul enne masina uuesti sisselülitamist jahtuda.

Ülelaadimiskaitse

Kui aku jääkmahtuvus pole piisav, seiskub masin automaatselt ja peamine toite märgutuli vilgub punaselt. Sellisel juhul eemaldage aku masinast ja laadige akukasetti või vahetage akukasettid täislaetute vastu.

Kaitse muude olukordade eest

Kaitsesüsteem on mõeldud ka muude olukordade jaoks, mis võivad masinat kahjustada, ja võimaldab masinal automaatselt seiskuda. Kui masin on ajutiselt peatatud või seiskunud, tehke põhjuste kõrvaldamiseks läbi kõik allpool kirjeldatud sammud.

1. Lülitage masin välja ja seejärel taaskäivitamiseks uuesti sisse.
2. Laadige akut (akusid) või asendage laetud aku(de)ga.
3. Laske masinal ja aku(de) jahtuda.

Kui kaitsesüsteemi taastamisega ei õnnestu olukorda parandada, võtke ühendust Makita kohaliku hoolduskeskusega.

TÄHELEPANU: Kui masin on seiskunud mõnel muul põhjusel, mida eespool ei kirjeldatud, lugege veaotsingut käsitlevat jaotist.

Aku jääkmahtuvuse näit

- **Joon.18:** 1. Aku indikaator


















Kui aku jääkmahtuvus on väike, siis akuindikaator vilgub selle aku poole. Edasisel kasutamisel masin seiskub ning akuindikaator süttib. Sellisel juhul laadige akukasetti.

Aku jääkmahtuvuse näit

Ainult näidikuga akukasettidele

Akukasetti järelejäänud mahtuvuse kontrollimiseks vajutage kontrollimise nuppu. Märgulambid süttivad mõneks sekundiks.

- **Joon.19:** 1. Märgulambid 2. Kontrollimise nupp

Märgulambid			Jääkmahtuvus
 Poleb	 Ei põle	 Vilgub	
			75 - 100%
			50 - 75%
			25 - 50%
			0 - 25%
			Laadige akut.
			Akul võib olla tõrge.
			

MÄRKUS: Näidatud mahtuvus võib veidi erineda tegelikust mahtuvusest olenevalt kasutustingimustest ja ümbritseva keskkonna temperatuurist.

MÄRKUS: Esimene (taga vasakul asuv) märgutuli vilgub, kui akukasetsüsteem töötab.

Toitelüliti

HOIATUS: Kui seadet ei kasutata, lülitage toitelüliti alati välja.

- **Joon.20:** 1. Toite märgutuli 2. Toitelüliti

Masina sisselülitamiseks vajutage toitelüliti. Toite märgutuli süttib roheliselt. Masina väljalülitamiseks vajutage toitenuppu uuesti.

MÄRKUS: Kui toitelamp süttib punaselt või vilgub punaselt või roheliselt, vaadake masina/aku kaitsesüsteemi juhiseid.

MÄRKUS: Sellel masinal on automaatse väljalülitamise funktsioon. Juhukäivituse vältimiseks lülitage toitelüliti automaatselt välja, kui lüliti- ja sõiduhooaba (kui see on olemas) pärast toitelüliti sisselülitamist teatava aja vältel ei kasutata.

Lüliti funktsioneerimine

⚠️ HOIATUS: Kontrollige alati enne akukasseti sisestamist seda, kas hooblüliti töötab nõuetekohaselt ja kas see liigub pärast vabastamist algasendisse tagasi. Masina juhtimine lüliti abil, mis ei toimi korralikult, võib kaasa tuua kontrolli kaotamise ja põhjustada tõsiseid vigastusi.

MÄRKUS: Niiduk ei käivitu, kui te toitelüliti ei vajuta (seda ka juhul, kui hooblüliti tõmbate).

MÄRKUS: Niiduk ei pruugi ülekoormuse tõttu käivituda, kui üritate niita liiga kõrget või tihedat heina. Sellisel juhul suurendage niitmiskõrgust.

Sellel niidukil on lukustusvõti ja käepidemel olev lüliti. Kui märkate lukustusvõtte või lülitiiga seoses midagi ebatavalist, seisake niiduk viivitamatult ja laske neid lähimas Makita volitatud teeninduskeskuses kontrollida.

Mudelil DLM481/DLM539

1. Paigaldage akukassetid. Sisestage lukustusvõti ja sulgege akukate.
2. Vajutage toitelüliti.
3. Tõmmake hooblüliti enda poole samal ajal, kui lülitisnupp all hoiate. Vabastage lülitisnupp niipea, kui mootor käivitub.
▶ **Joon.21:** 1. Lülitisnupp 2. Hooblüliti
4. Hooblüliti vajutamise ajal lükake sõiduhuoba ette ja hoidke seda tagarataste juhtimiseks all.
▶ **Joon.22:** 1. Sõiduhuob

MÄRKUS: Tagarattaid saate juhtida sõiduhuoba ettepoole lükates ja seda ilma hooblüliti vajutamata hoides.

5. Masina seiskamiseks vabastage sõiduhuoba ja hooblüliti.

Mudelil DLM480/DLM538

1. Paigaldage akukassetid. Sisestage lukustusvõti ja sulgege akukate.
2. Vajutage toitelüliti.
3. Tõmmake hooblüliti enda poole samal ajal, kui lülitisnupp all hoiate. Vabastage lülitisnupp niipea, kui mootor käivitub.
▶ **Joon.23:** 1. Lülitisnupp 2. Hooblüliti
4. Vabastage hooblüliti, et mootor seisata.

Niitmiskõrguse reguleerimine

⚠️ HOIATUS: Ärge pange niitmiskõrguse reguleerimisel käsi või jalgu kunagi niiduki alla.

⚠️ HOIATUS: Veenduge alati enne seadme kasutamist, et hoob sobituks soonde.

Niitmiskõrgust saab reguleerida vahemikus 20 mm ja 100 mm.

Eemaldage lukustusvõti, tõmmake niitmiskõrguse reguleerimishooba niiduki korpusest väljapoole ja viige soovitud niitmiskõrgusele.

- ▶ **Joon.24:** 1. Niitmiskõrguse reguleerimishoob

Allpool esitatud tabelis on näidatud suhet niiduki kerel oleva numbri ja ligikaudse niitmiskõrguse vahel.

Number	Niitmiskõrgus
1	20 mm
2	26 mm
3	32 mm
4	40 mm
5	49 mm
6	59 mm
7	70 mm
8	81 mm
9	92 mm
10	100 mm

Hoidke ühe käega alumisest käepidemest ja liigutage seejärel teise käega niitmiskõrguse reguleerimishooba.

- ▶ **Joon.25:** 1. Niitmiskõrguse reguleerimishoob
2. Alumine käepide

MÄRKUS: Niitmiskõrguse näitajaid tuleks kasutada orientiirina. Maapinna ja muru seisundist olenevalt võib tegelik murukõrgus olla valitud kõrgusest erinev.

MÄRKUS: Katsetage muru niitmiskõrguse seadistust vähem nähtavas kohas, et leida sobiv kõrgus.

Rohutaseme indikaator

Rohutaseme indikaator näitab niidetud rohu mahtu. Kui murukogur ei ole täis, siis indikaator ujub terade pöörlemise ajal.

- ▶ **Joon.26:** 1. Rohutaseme indikaator

Kui murukogur on peaaegu täis, siis indikaator ei uju terade pöörlemise ajal. Sellisel juhul peatage kohe töö ja tühjendage kogur.

- ▶ **Joon.27:** 1. Rohutaseme indikaator

MÄRKUS: Selle indikaatori puhul on tegemist ligikaudse näidikuga. Kruvikeeraja on varustatud kruvide sisestamise sügavuse regulaatoriga.

Käepideme kõrguse reguleerimine

Käepideme kõrgust saab reguleerida kahele tasemele.

1. Hoidke alumisest käepidemest ning seejärel keerake nuppu 90°, tõmmates samal ajal lukustustihvti vabastamiseks alumisel käepidemel olevat nuppu. Korrake sama protseduuri teisel pool.
▶ **Joon.28:** 1. Alumine käepide 2. Nupp

MÄRKUS: Käepideme toetamine hõlbustab lukustustihvti vabastamist nupu tõmbamise ajal.

2. Reguleerige käepideme kõrgus ning seejärel keerake mõlemal pool nuppu 90°. Kontrollige nuppude tugevat kinnitust.
▶ **Joon.29:** 1. Nupp

Liikumiskiiruse reguleerimine

Mudelil DLM481/DLM539

- ▶ **Joon.30:** 1. Kiiruse hoob

Liikumiskiirust saab reguleerida kiiruse hooba kasutades. Kiiruse vähendamiseks tõmmake hooba enda poole ja kiiruse suurendamiseks lükake seda ette poole.

Multšimiskorgi kasutamine

Multšimiskork võimaldab teil niidetud muru tagasi maha lasta, ilma et see murukogurisse kogutaks. Kui kasutate masinat multšimiskorgiga, siis eemaldage kindlasti murukogur.

TÄHELEPANU: Masina multšimiskorgiga kasutamisel veenduge, et muru kogupikkus pärast niitmist oleks 30 mm või rohkem, ja lõikepikkus oleks 15 mm või vähem.

► **Joon.31:** (1) 30 mm või rohkem (2) 15 mm või vähem

Tagumine väljaviskeseadme kasutamine

Tagumine väljaviskeseade võimaldab teil niidetud muru masina tagumisest osast välja heita, ilma et see murukogurisse kogutaks.

Kui töotate masinaga ja kasutate tagumist väljaviskeseadet, eemaldage kindlasti murukogur ja multšimiskork ning sulgege tagakaas.

Elektrooniline funktsioon

Masin on varustatud lihtsamaks kasutamiseks elektrooniliste funktsioonidega.

- Sujuvkäivitamine juhtimisel
Sujuvkäivituse funktsioon minimeerib käivitamisel tagasilööki ja võimaldab masinal sujuvalt käivituda.
- Elektriline pidur
Masinal on elektriline pidur. Kui masin ei suuda pidevalt pärast hooblülitit vabastamist kiiresti niiduki terasid seisata, viige see hooldusse Makita volitatud teeninduskeskusesse.

TÖÖRIISTA KASUTAMINE

Niitmine

▲HOIATUS: Puhastage niidetav ala enne niitmist okstest ja kividest. Lisaks puhastage niidetav ala enne niitmist ka umbrohust.

▲HOIATUS: Kandke niiduki kasutamisel alati kaitseprille (või nt külmiste kaitsetega kaitseprille).

▲ETTEVAATUST: Kui muru või kõrvaline ese on niiduki korpuse seestpoolt ummistanud, võtke enne muru või kõrvalise eseme eemaldamist välja lukustusvõti ja akukassett ning pange kindad kätte.

TÄHELEPANU: Kasutage seda seadet ainult muru niitmiseks. Ärge kasutage seda seadet umbrohu niitmiseks.

► **Joon.32**

Hoidke niitmisel kindlalt kahe käega käepidemest kinni. Soovitatav niitmiskiirus on ligikaudu 7 kuni 14 meetrit 10 sekundi jooksul.

► **Joon.33**

MÄRKUS: Kui kõrge või tiheda muru niitmisel saadakse ebaühtlase kõrguse või halva kvaliteediga tulemus või kui niitmise ajal väheneb mootori kiirus, vähendage niitmiskiirust alla selles juhendis soovitatu või tõstke niitmiskõrgust.

Niitmislaiuse orientiiriks on esirataste keskjooned. Niitke ribade kaupa, kasutades keskjooni abijoonena. Niitke kuni ühe kolmandiku ulatuses eelmise riba peal (kattuv ala) – nii niidate muru ühtlaselt.

► **Joon.34:** 1. Niitmislaius 2. Kattuv ala 3. Keskjoon

Muutke iga kord niitmise suunda, et ei tekiks ühesuunalist muru mustrit.

► **Joon.35**

Kontrollige regulaarselt murukoguris oleva niidetud muru kogust. Tühjendage murukogur enne selle täitumist. Enne iga sellist kontrolli seisake niiduk ning eemaldage seejärel lukustusvõti ja akukassett niidukist.

TÄHELEPANU: Täis murukogur takistab niiduki lõiketeradel sujuvalt pöörelda ja lisab mootorile lisakoormuse, mis võib põhjustada mootoririkkeid.

Kõrge muru niitmine

Ärge püüdke kõrget muru ühe korraga niita. Selle asemel niitke muru järkjärgult lühemaks. Jätke niitmiste vahele üks või kaks päeva, kuni muru on ühtlaselt lühike.

► **Joon.36**

MÄRKUS: Kõrge muru niitmine ühe korraga lühikeks võib põhjustada muru hävimise. Samuti võib niidetud muru ummistada niiduki korpuse sisemuse.

MÄRKUS: Kui muru on pärast niitmist ebaühtlase kõrgusega või niitmiskvaliteet on halb või mootori kiirus väheneb niitmise ajal, vähendage niitmiskiirust või suurendage niitmiskõrgust.

Murukoguri tühjendamine

▲HOIATUS: Õnnetuste ärahoidmiseks kontrollige murukogurit regulaarselt kahjustuste või tugevuse vähenemise suhtes. Vajaduse korral vahetage murukogur.

1. Vabastage hooblülitit ja sõiduhob (mudelil DLM481/DLM539) või vabastage hooblülitit (mudelil DLM480/DLM538).

2. Eemaldage lukustusvõti.

3. Avage tagakaas ja võtke käepidemest hoides murukoguja korv välja.

► **Joon.37:** 1. Tagakaas 2. Käepide 3. Murukoguja

4. Tühjendage murukogur.

HOOLDUS

⚠️HOIATUS: Veenduge alati enne niiduki hoiustamist, kandmist, kontrollimist või hooldamist, et lukustusvõti ja akukassett oleksid niidukist eemaldatud.

⚠️HOIATUS: Kui niidukit ei kasutata, eemaldage alati lukustusvõti. Hoiustage lukustusvõtit turvalises ja lastele kättesaamatus kohas.

⚠️HOIATUS: Kandke kontrollimise või hooldamise ajal kaitsekindaid.

⚠️HOIATUS: Kandke niiduki kontrollimisel või hooldamisel alati kaitseprille või külgmiste kaitsmetega kaitseprille.

TÄHELEPANU: Ärge kunagi kasutage bensiini, vedelidit, alkoholi ega midagi muud sarnast. Selle tulemuseks võib olla luitumine, deformatsioon või pragunemine.

Toote OHUTUSE ja TÖÖKINDLUSE tagamiseks tuleb vajalikud remonttööd ning muud hooldus- ja reguleerimistööd lasta teha Makita volitatud teeninduskeskustes või tehase teeninduskeskustes. Alati tuleb kasutada Makita varuosi.

Hooldus

1. Eemaldage lukustusvõti ja akukassett ning sulgege akukate.
2. Pange niiduk külili. Eemaldage niiduki kere alla kogunenud murujäägid.
3. Valage vett masina põhja suunas, kuhu kinnitati tera.

TÄHELEPANU: Ärge peske masinat kõrgsurvepesuriga.

4. Kontrollige kõikide mutrite, poltide, kruvide jne pingust.
5. Kontrollige liikuvaid osi kahjustuste, purunemise ja kulumise suhtes. Kahjustatud või puuduvad osad tuleb remontida või välja vahetada.
6. Hoidke niidukit turvalises ja lastele kättesaamatus kohas.

Mudelil DLM481/DLM539

TÄHELEPANU: Ärge valage vett joonisel näidatud piirkonda. Vee valamine mootoriüksusesse võib põhjustada masina rikke.

- Joon.38: 1. Piirkond kuhu vett ei tohiks valada

Mudelil DLM481/DLM539

TÄHELEPANU: Kui masin on püstiasendis, nagu joonisel on näidatud, ärge valage sellele vett. Kui masin on püstiasendis, võib vesi mootorisse voolata ja masinas tõrkeid põhjustada.

- Joon.39

Niiduki kandmine

⚠️ETTEVAATUST: Enne niiduki kandmist veenduge, et akukassett ja lukustusvõti oleks eemaldatud.

Hoidke niiduki kandmise ajal kahe inimesega joonisel näidatud viisil tagumisest käepidemest ja alumisest hoidikust masina eesosas.

- Joon.40: 1. Alumine hoidik 2. Tagumine käepide

Hoiundamine

⚠️ETTEVAATUST: Masina viimisel püstiasendisse pange masin tasasele ja stabiilsele aluspinnale. Kui masin asetatakse ebastabiilsele pinnale, võib masin ümber minna ja vigastusi põhjustada.

Hoidke niidukit siseruumis jahedas, kuivas ja lukustatud kohas. Ärge hoidke niidukit ega laadurit kohtades, kus temperatuur võib tõusta üle 40 °C.

1. Eemaldage akukassett ja lukustusvõti.
 2. Lukustustihvti vabastamiseks tõmmake alumisel käepidemel olevat nuppu ja keerake seda samal ajal 90°. Korrake sama protseduuri teisel pool ja pange seejärel käepide kokku.
- Joon.41: 1. Nupp

MÄRKUS: Käepideme toetamine hõlbustab lukustustihvti vabastamist nupu tõmbamise ajal.

3. Keerake mõlemal poolel nuppu 90°. Kontrollige nuppude tugevat kinnitust.

Mudelil DLM481/DLM539

- Joon.42: 1. Nupp

Mudelil DLM480/DLM538

- Joon.43: 1. Nupp

TÄHELEPANU: Jälgige, et juhtmed ei jääks käepideme kokkupanemisel selle vahele.

4. Keerake lahti mõlemal poolel olevad tiibmutrid ja seejärel pange kokku ülemine käepide, nagu joonisel on näidatud.

- Joon.44: 1. Tiibmutter 2. Ülemine käepide

5. Pange masin püstiasendisse.

MÄRKUS: Niiduki viimisel püstiasendisse ärge hoidke ainult käepidemest, vaid niiduki kerest ja käepidemest.

6. Hoidke murukogurit joonisel näidatud viisil.

- Joon.45: 1. Murukoguja

- Joon.46: 1. Murukoguja

Niiduki tera eemaldamine või paigaldamine

⚠HOIATUS: Pärast lüliti vabastamist pöörleb lõiketera mõned sekundid tühikäigul. Ärge alustage toiminguid enne, kui tera on täielikult seiskunud.

⚠HOIATUS: Eemaldage lukustusvõti ja akukasett alati enne lõiketera eemaldamist või paigaldamist. Lukustusvõtme või akukasetti eemaldamata jätmine võib tuua kaasa tõsiseid vigastusi.

⚠HOIATUS: Kandke lõiketera käsitlemisel alati kaitsekindaid.

TÄHELEPANU: Niidukitera eemaldamisel või paigaldamisel kasutage masina pakendis olevat otsvõtit.

Niiduki tera eemaldamine

1. Asetage niiduk küljele, nii et niitmiskõrguse reguleerimishoob jääks üles.
2. Tera lukustamiseks sisestage tihvt niiduki kerel olevasse avasse nii kaugele kui võimalik.
3. Keerake polti otsvõtmega 17 vastupäeva.
▶ **Joon.47:** 1. Niiduki tera 2. Tihvt 3. Otsvõti
4. Eemaldage polt ja seejärel niiduki tera.
▶ **Joon.48:** 1. Tera tugi 2. Niiduki tera 3. Polt 4. Eenduv osa

TÄHELEPANU: Niiduki tera paigaldamisel veenduge, et tera toel asuvad sälgud sobituksid niiduki teral olevate avadega.

Niiduki tera paigaldamine

⚠HOIATUS: Paigaldage niiduki tera hoolikalt. Sellel on ülemine/alumine külg.

⚠HOIATUS: Pinguldage polti päripäeva, et lõiketera fikseerida.

⚠HOIATUS: Veenduge, et niiduki tera ja kõik selle kinnitusosad oleksid korralikult paigaldatud ja kindlalt pingutatud.

⚠HOIATUS: Terasid vahetades järgige alati juhendis toodud juhtnööre.

TÄHELEPANU: Niidukitera paigaldamiseks kasutatava poldi pingutamisel kasutage 19–29 N·m pingutusmomenti (väärtused on orienteeruvad).

TÄHELEPANU: Pärast niiduki terade paigaldamist eemaldage niiduki kerelt tihvt.

Niiduki terade paigaldamiseks järgige eemaldamise protseduuri vastupidises järjekorras.

VEAOTSING

Enne parandustöökotta pöördumist kontrollige esmalt ise seadet. Ärge proovige masinat lahti võtta, kui leiate probleemi, mida kasutusjuhendis ei kirjeldata. Selle asemel pöörduge Makita volitatud teeninduskeskusesse, kus kasutatakse parandamisel alati Makita tagavaraosi.

Tõrge	Võimalik põhjus (riike)	Lahendus
Niiduk ei käivitu.	Kaks akukasetti ei ole paigaldatud.	Paigaldage kaks laetud akukasetti.
	Akuga seotud probleem (alapinge)	Laadige akukasett. Kui laadimine ei anna tulemust, vahetage akukasett välja.
	Lukustusvõti ei ole sisestatud.	Sisestage lukustusvõti.
Mootor seiskub pärast lühiajalist töötamist.	Aku laetustase on madal.	Laadige akukasett. Kui laadimine ei anna tulemust, vahetage akukasett välja.
	Niitmiskõrgus on liiga madal.	Suurendage niitmiskõrgust.
	Niidetud muru on niiduki ummistanud.	Eemaldage niidukisse kinni jäänud muru.
Mootor ei saavuta maksimaalset pöörlemiskiirust.	Akukasett ei ole õigesti paigaldatud.	Paigaldage akukasett juhendis kirjeldatud viisil.
	Aku võimsus langeb.	Laadige akukasett. Kui laadimine ei anna tulemust, vahetage akukasett välja.
	Veosüsteem ei tööta korralikult.	Paluge volitatud teeninduskeskuses teha parandustööd.
Niiduki tera ei pöörle: ⇒ seisake kohe niiduk!	Kõrvaline ese, näiteks puuoks on tera blokeerinud.	Eemaldage kõrvaline ese.
	Veosüsteem ei tööta korralikult.	Paluge volitatud teeninduskeskuses teha parandustööd.
Ebatavaline vibratsioon: ⇒ seisake kohe niiduk!	Tera ei ole tasakaalus või on ülemäärane või ebaühtlaselt kulunud.	Vahetage tera.

VALIKULISED TARVIKUD

⚠ETTEVAATUST: Neid tarvikuid ja lisaseadmeid on soovitatav kasutada koos Makita masinaga, mille kasutamist selles kasutusjuhendis kirjeldatakse. Muude tarvikute ja lisaseadmete kasutamisega võib kaasneda vigastusoht. Kasutage tarvikuid ja lisaseadmeid ainult otstarbekohaselt.

Saate vajaduse korral kohalikust Makita teeninduskeskusest lisateavet nende tarvikute kohta.

- Niiduki tera
- Makita algupärane aku ja laadija

MÄRKUS: Mõned nimekirjas loetletud tarvikud võivad olla lisatud põhivarustusena toote pakendisse. Need võivad riigiti erineda.



ТЕХНИЧЕСКИЕ ХАРАКТЕРИСТИКИ

Модель:	DLM480	DLM481	DLM538	DLM539
Ширина скашивания (диаметр лезвия)	480 мм		534 мм	
Число оборотов без нагрузки	3 100 мин ⁻¹		3 000 мин ⁻¹	
Сменное лезвие газонокосилки, номер детали	Прямое лезвие газонокосилки	191V97-3		191V96-5 / 191W87-2
	Мульчирующее лезвие	191Y64-6		191Y65-4
Размеры (Д × Ш × В)	во время работы	Д: от 1 690 мм до 1 740 мм Ш: 530 мм В: от 930 мм до 1 060 мм	Д: от 1 810 мм до 1 870 мм Ш: 580 мм В: от 920 мм до 1 040 мм	
	в положении для хранения (без корзины для травы)	580 мм × 530 мм × 870 мм		610 мм × 580 мм × 925 мм
Скорость передвижения	–	2,5–5,0 км/ч	–	2,5–5,0 км/ч
Номинальное напряжение	36 В пост. тока			
Масса нетто	24,5 – 26,8 кг	27,0 – 29,3 кг	25,5 - 28,0 кг	27,9–30,4 кг
Степень защиты	IPX4			

- Благодаря нашей постоянно действующей программе исследований и разработок указанные здесь технические характеристики могут быть изменены без предварительного уведомления.
- Технические характеристики могут различаться в зависимости от страны.
- Масса может отличаться в зависимости от дополнительного оборудования. Обратите внимание, что блок аккумулятора также считается дополнительным оборудованием. В таблице представлены комбинации с наибольшим и наименьшим весом в соответствии с процедурой EPTA 01/2014.

Подходящий блок аккумулятора и зарядное устройство

Блок аккумулятора	BL1815N / BL1820B / BL1830B / BL1840B / BL1850B / BL1860B
Зарядное устройство	DC18RC / DC18RD / DC18RE / DC18SD / DC18SE / DC18SF / DC18SH / DC18WC

- В зависимости от региона проживания некоторые блоки аккумуляторов и зарядные устройства, перечисленные выше, могут быть недоступны.

⚠ ОСТОРОЖНО: Используйте только перечисленные выше блоки аккумуляторов и зарядные устройства. Использование других блоков аккумуляторов и зарядных устройств может привести к травме и/или пожару.

⚠ ОСТОРОЖНО: Не используйте с этой машиной проводной источник электропитания, например переходник зарядного устройства или портативный блок питания. Кабель этого источника электропитания может помешать работе и стать причиной травмы.

Символы

Ниже приведены символы, которые могут использоваться для обозначения оборудования. Перед использованием убедитесь в том, что вы понимаете их значение.



Обратите особое внимание.



Прочитайте руководство по эксплуатации.



Опасности! Возможен разлет твердых предметов.



Расстояние от инструмента до находящихся поблизости людей должно быть не менее 15 м.



Не приближайте руки и ноги к лезвию газонокосилки под ее днищем. После выключения электродвигателя лезвия газонокосилки продолжают вращаться.



Перед осмотром, регулировкой, очисткой, обслуживанием, оставлением и хранением газонокосилки извлекайте ключ блокировки.



Осторожно! Перед техническим обслуживанием необходимо отсоединить аккумулятор.



Электрическая опасность. Попадание воды на машину может привести к поражению электрическим током.



Не допускайте попадания воды на машину.



Только для стран ЕС

В связи с наличием в оборудовании опасных компонентов отходы электрического и электронного оборудования, аккумуляторы и батареи могут оказывать негативное влияние на окружающую среду и здоровье человека.

Не выбрасывайте электрические и электронные устройства или батареи вместе с бытовыми отходами!

В соответствии с директивой ЕС по отходам электрического и электронного оборудования, по аккумуляторам, батареям и отходам аккумуляторов и батарей, а также в соответствии с ее адаптацией к национальному законодательству, отходы электрического оборудования, батареи и аккумуляторы следует хранить отдельно и доставлять на пункт раздельного сбора коммунальных отходов, работающий с соблюдением правил охраны окружающей среды. Это обозначено символом в виде перечеркнутого мусорного контейнера на колесах, нанесенным на оборудование.



Гарантированный уровень звуковой мощности в соответствии с Директивой ЕС по шумам вне помещений.



Уровень звуковой мощности в соответствии с Регламентом Австралии (Новый Южный Уэльс) по контролю за шумом

Назначение

Газонокосилка предназначена для стрижки газонов.

Шум

Типичный уровень взвешенного звукового давления (A), измеренный в соответствии с EN IEC 62841-4-3:

Модель	Измеренный уровень звуковой мощности (L_{WA}): дБ(A)	Гарантированный уровень звуковой мощности (L_{WA}): дБ(A)
DLM480	92	95
DLM481	92	95
DLM538	95	98
DLM539	95	98

Модель	Уровень звукового давления (L_{pA}): дБ (A)	Погрешность уровня звукового давления (K): дБ (A)
DLM480	84	3
DLM481	84	3
DLM538	85	3
DLM539	85	3

ПРИМЕЧАНИЕ: Заявленное значение распространения шума измерено в соответствии со стандартной методикой испытаний и может быть использовано для сравнения инструментов.

ПРИМЕЧАНИЕ: Заявленное значение распространения шума можно также использовать для предварительных оценок воздействия.

⚠ОСТОРОЖНО: Используйте средства защиты слуха.

⚠ОСТОРОЖНО: Распространение шума во время фактического использования электроинструмента может отличаться от заявленного значения в зависимости от способа применения инструмента и в особенности от типа обрабатываемой детали.

⚠ОСТОРОЖНО: Обязательно определите меры безопасности для защиты оператора, основанные на оценке воздействия в реальных условиях использования (с учетом всех этапов рабочего цикла, таких как выключение инструмента, работа без нагрузки и включение).

Вибрация

Суммарное значение вибрации (сумма векторов по трем осям), определенное в соответствии с EN IEC 62841-4-3:

Модель DLM480

Распространение вибрации (a_h): 2,5 м/с² или менее
Погрешность (K): 1,5 м/с²

Модель DLM481

Распространение вибрации (a_h): 2,5 м/с² или менее
Погрешность (K): 1,5 м/с²

Модель DLM538

Распространение вибрации (a_h): 2,5 м/с² или менее
Погрешность (K): 1,5 м/с²

Модель DLM539

Распространение вибрации (a_h): 2,5 м/с² или менее
Погрешность (K): 1,5 м/с²

ПРИМЕЧАНИЕ: Заявленное общее значение распространения вибрации измерено в соответствии со стандартной методикой испытаний и может быть использовано для сравнения инструментов.

ПРИМЕЧАНИЕ: Заявленное общее значение распространения вибрации можно также использовать для предварительных оценок воздействия.

⚠ОСТОРОЖНО: Распространение вибрации во время фактического использования электроинструмента может отличаться от заявленного значения в зависимости от способа применения инструмента и в особенности от типа обрабатываемой детали.

⚠ОСТОРОЖНО: Обязательно определите меры безопасности для защиты оператора, основанные на оценке воздействия в реальных условиях использования (с учетом всех этапов рабочего цикла, таких как выключение инструмента, работа без нагрузки и включение).

Декларации о соответствии

Только для европейских стран

Декларации о соответствии включены в Приложение А к настоящему руководству по эксплуатации.

МЕРЫ БЕЗОПАСНОСТИ

Общие рекомендации по технике безопасности для электроинструментов

▲ ОСТОРОЖНО Ознакомьтесь со всеми инструкциями по технике безопасности, указаниями, иллюстрациями и техническими характеристиками, прилагаемыми к данному электроинструменту. Несоблюдение всех приведенных далее инструкций может привести к поражению электрическим током, возгоранию и/или тяжелым травмам.

Сохраните брошюру с инструкциями и рекомендациями для дальнейшего использования.

Термин "электроинструмент" в предупреждениях относится ко всему инструменту, работающему от сети (с проводом) или на аккумуляторах (без провода).

Правила техники безопасности при использовании аккумуляторной газонокосилки

1. **Не используйте газонокосилку в неблагоприятных погодных условиях, особенно если возможны грозовые разряды.** Это снижает риск удара молнией.
2. **Внимательно осмотрите место, где будет использоваться газонокосилка, и убедитесь, что там нет диких животных.** Во время работы газонокосилки оказавшиеся поблизости дикие животные могут получить травмы.
3. **Внимательно осмотрите место, где будет использоваться газонокосилка, и убедитесь, что там нет камней, палки, провода, кости и другие посторонние предметы.** Отброшенные предметы могут нанести травму.
4. **Прежде чем использовать газонокосилку, обязательно осмотрите ее лезвие и убедитесь, что лезвие и узел лезвия не изношены и не повреждены.** Изношенные или поврежденные части повышают риск травмы.
5. **Чаще проверяйте травосборник на предмет износа или повреждений.** Изношенный или поврежденный травосборник повышает риск травмы.
6. **Ограждения должны всегда находиться на месте.** Ограждения должны быть в рабочем состоянии и установлены надлежащим образом. Плохо закрепленное, поврежденное или не работающее надлежащим образом ограждение может стать причиной травмы.
7. **Не допускайте засорения отверстий для притока охлаждающего воздуха.** Засорение отверстий для притока охлаждающего воздуха может привести к перегреву и возгоранию.
8. **На время работы с газонокосилкой обязательно надевайте нескользящую защитную обувь.** Не работайте с газонокосилкой босиком или в открытых сандалиях. Это позволит снизить риск получения травмы при соприкосновении ноги с движущимся лезвием.

9. **На время работы с газонокосилкой обязательно надевайте длинные брюки.** Отсутствие защиты кожи повышает вероятность получить травму от отлетающих предметов.
10. **Не используйте газонокосилку на мокрой траве.** Передвигайтесь шагом, не бегите. Это позволит снизить вероятность того, что вы поскользнетесь и упадете, что, в свою очередь, может привести к травме.
11. **Не используйте газонокосилку на чрезмерно крутых склонах.** Это позволит снизить вероятность того, что вы потеряете контроль над инструментом, поскользнетесь и упадете, что, в свою очередь, может привести к травме.
12. **При работе на склонах всегда крепко стойте на ногах, двигайтесь поперек склона, а не вверх или вниз по склону, и соблюдайте особую осторожность при изменении направления движения.** Это позволит снизить вероятность того, что вы потеряете контроль над инструментом, поскользнетесь и упадете, что, в свою очередь, может привести к травме.
13. **Соблюдайте особую осторожность, перемещая газонокосилку задним ходом или подтягивая ее к себе.** Всегда контролируйте окружающую обстановку. Это позволит снизить вероятность того, что вы споткнетесь во время работы.
14. **Не прикасайтесь к лезвиям и другим опасным движущимся частям до их полной остановки.** Это позволит снизить вероятность получения травмы движущимися частями.
15. **При удалении застрявших обрезков или очистке газонокосилки убедитесь, что все выключатели питания выключены, а аккумуляторный блок отсоединен.** Неожиданное включение газонокосилки может привести к тяжелым травмам.

Дополнительные правила техники безопасности

Инструктаж

1. **Внимательно прочтите инструкции.** Ознакомьтесь со всеми элементами управления и правилами надлежащей эксплуатации газонокосилки.
2. **Не разрешайте детям и лицам, не знакомым с данными инструкциями, пользоваться косилкой.** В местном законодательстве могут существовать возрастные ограничения для операторов.
3. **Запрещается эксплуатировать газонокосилку, если поблизости находятся люди (в особенности дети) или животные.**
4. **Помните, что оператор/пользователь несет ответственность за происшествие и опасные ситуации с другими людьми или их собственностью.**

Подготовка

1. **Перед началом работы убедитесь, что поблизости никого нет.** Если кто-либо приблизился, выключите газонокосилку.
2. **Не вставляйте ключ блокировки в газонокосилку, пока она не будет готова к эксплуатации.**

3. Осматривайте газон на предмет углублений, колеи, ухабов, камней или других скрытых предметов. Неровности поверхности могут стать причиной поскользывания и падения. Высокая трава может скрывать препятствия.
 4. Запрещается вставлять или вынимать ключ блокировки под дождем.
- Выполнение работы**
1. Остановите газонокосилку, извлеките ключ блокировки и убедитесь в том, что все движущиеся части полностью остановились, если:
 - оставляете газонокосилку без присмотра;
 - планируете устранять засоры и удалять предметы, закупорившие желоб;
 - собираетесь выполнять проверку, очистку или обслуживание газонокосилки.
 2. Если газонокосилка ударилась о посторонний предмет, выполните следующее:
 - Остановите газонокосилку, отпустите рычажный выключатель и дождитесь полной остановки лезвия.
 - Извлеките ключ блокировки и блок аккумулятора.
 - Внимательно осмотрите газонокосилку на предмет повреждений.
 - Замените лезвие, если оно каким-либо образом повреждено. Устраните любые повреждения, прежде чем снова запустить газонокосилку и возобновлять работу с ней.
 3. В случае возникновения посторонних вибраций газонокосилки или любых необычных явлений немедленно выполните следующие действия:
 - Остановите газонокосилку, отпустите рычажный выключатель и дождитесь полной остановки лезвия.
 - Извлеките ключ блокировки и блок аккумулятора.
 - Проверьте наличие повреждений и замените или отремонтируйте любые поврежденные детали.
 - Проверьте, не разболтались ли какие-либо детали, и подтяните их.
 4. Запрещается использовать машину с неисправными ограждениями и экранами или без защитных приспособлений, например дефлекторов или бункера для сбора травы.
 5. Используйте устройство только в дневное время или при хорошем искусственном освещении.
 6. Осторожно включайте газонокосилку в соответствии с инструкциями, ноги при этом должны находиться как можно дальше от лезвий.
 7. Соблюдайте меры безопасности во избежание травмирования ног и рук лезвием газонокосилки.
 8. Обязательно остановите лезвие(я), если машину необходимо наклонить для транспортировки по поверхности, отличной от травы, либо при транспортировке машины к месту эксплуатации и обратно.
 9. Не наклоняйте газонокосилку при включении двигателя, кроме случаев, когда ее необходимо наклонять для пуска. В этом случае наклоняйте ее на минимально необходимый угол и поднимайте только дальнюю от оператора часть. При опускании газонокосилки на землю всегда крепко держите рукоятку обеими руками.
 10. Не помещайте руки или ноги под вращающиеся детали или вблизи них. Никогда не становитесь перед разгрузочным отверстием.
 11. Постоянно надежно удерживайте рукоятку.
 12. Поднимая или удерживая косилку, не беритесь за оголенные ножи или режущие кромки.
 13. Не приближайте руки и ноги к вращающимся ножам. Внимание - лезвия продолжают вращаться после отключения газонокосилки.
 14. Запрещается регулировать высоту скашивания во время движения газонокосилки (если газонокосилка позволяет регулировать высоту скашивания).
 15. Отпустите рычажный выключатель и дождитесь остановки лезвия, прежде чем переходить улицы, пешеходные дорожки, дороги и любые области с гравийным покрытием. Кроме того, извлеките ключ блокировки, если выпускаете газонокосилку из рук, нагибаетесь, чтобы подобрать или убрать что-либо с дороги, или по любой другой причине, которая может отвлечь вас от работы.
 16. Не включайте двигатель, стоя перед разгрузочным отверстием.
 17. Не направляйте поток срезанного материала на людей. Не направляйте поток срезанного материала на стену или какой-либо предмет. Срезанный материал может отскочить в сторону оператора. Остановите лезвия на время транспортировки по поверхности из гравия.
 18. Не тяните газонокосилку назад без крайней необходимости. Если необходимо отвести косилку от забора или другого аналогичного препятствия, смотрите назад себе под ноги до начала движения, а также во время движения задним ходом.
 19. Прежде чем снимать травосборник, отключите двигатель и подождите, пока лезвие полностью остановится. Имейте в виду, что лезвия продолжают вращаться после отключения.
 20. При использовании устройства в грязи, на влажном склоне или на скользкой поверхности будьте осторожны, чтобы не поскользнуться.
 21. Избегайте работать в сложных условиях, в которых ожидается повышенная усталость пользователя.
 22. Не используйте устройство в неблагоприятных погодных условиях, когда видимость ограничена. Несоблюдение этого требования может привести к падению или неправильной эксплуатации устройства из-за плохой видимости.

23. Не допускайте погружения устройства в лужи.
24. В случае прилипания мокрых листьев или грязи ко входу для всасывания (вентиляционным отверстием) удалите их.
25. Запрещается использовать устройство в снегопад.
26. Если срезанная трава является мокрой, она может скапливаться внутри устройства. Регулярно проверяйте состояние устройства и при необходимости удаляйте прилипшую траву.
27. При работе с машиной следите за тем, чтобы не допустить контакта с трубопроводом или проводами.

Техническое обслуживание и хранение

1. Регулярно осматривайте и выполняйте техническое обслуживание газонокосилки.
2. Все гайки, болты и винты должны быть надежно затянуты — это обеспечит безопасность и работоспособность.
3. Чаще проверяйте корзину для травы на предмет износа или повреждений. Помещая устройство на хранение, обязательно очистите корзину для травы. Для обеспечения безопасности замените изношенную корзину для травы на новую.
4. Пользуйтесь только оригинальными лезвиями производителя, указанными в данном руководстве.
5. Соблюдайте осторожность при регулировке газонокосилки, чтобы не допустить защемления пальцев между движущимися лезвиями и неподвижными деталями машины.
6. Чаще проверяйте надежность затяжки болта крепления лезвия.
7. Перед постановкой на хранение дайте косилке остыть.
8. При обслуживании лезвий следует помнить, что лезвия могут двигаться даже при отключенном питании.
9. Не удаляйте предохранительные устройства и не вносите изменения в их конструкцию. Регулярно проверяйте правильность их работы. Не предпринимайте никаких действий, которые могут повлиять на функционирование предохранительного устройства или снизить степень защиты, обеспечиваемой предохранительным устройством.
10. Не оставляйте устройство без присмотра под открытым небом в дождь.
11. Запрещается мыть устройство струей воды с высоким напором.
12. При мойке устройства обязательно вытащите аккумулятор и ключ блокировки и закройте крышку отсека аккумулятора. Вода при мойке должна стекать к нижней части устройства, где крепится лезвие.
13. Не храните устройство в помещениях с высокой влажностью или температурой, на солнце или под дождем.
14. Осмотр и техническое обслуживание устройства следует выполнять в месте, защищенном от осадков.

15. После использования устройства очистите его от налипшей грязи и полностью высушите, перед тем как поместить на хранение. В зависимости от времени года и/или региона устройство может выйти из строя из-за замерзания воды.

Электробезопасность

1. Не вскрывайте и не разбивайте аккумуляторы. Содержащийся в них электролит очень едкий, вы можете повредить глаза или кожу. При проглатывании это вещество может вызвать отравление.
2. Не заряжайте аккумулятор под дождем или в местах с повышенной влажностью.
3. Не заряжайте аккумулятор на улице.
4. Не касайтесь зарядного устройства, а также штекера и контактов зарядного устройства влажными руками.
5. Запрещается заменять аккумулятор под дождем.
6. Избегайте смачивания клемм аккумулятора жидкостью, например водой, и не допускайте погружения аккумулятора в жидкость. Запрещается оставлять аккумулятор под дождем, заряжать, использовать или хранить аккумулятор в местах с повышенной влажностью. Мокрые клеммы или попадание жидкости внутрь аккумулятора могут привести к короткому замыканию аккумулятора, его перегреву, возгоранию или взрыву.
7. После извлечения аккумулятора из газонокосилки или зарядного устройства обязательно присоедините к аккумулятору крышку отсека аккумулятора и оставьте его в сухом месте.
8. Запрещается выполнять замену аккумулятора мокрыми руками.
9. Избегайте опасных сред. Не используйте машину в местах с повышенной влажностью и под дождем. Попавшая в машину вода повышает опасность поражения электрическим током.
10. В случае попадания воды на блок аккумулятора вылейте воду из блока и протрите его сухой тканью. Прежде чем использовать блок аккумулятора, дайте ему полностью высохнуть в сухом месте.

СОХРАНИТЕ ДАННЫЕ ИНСТРУКЦИИ.

▲ ОСТОРОЖНО: НЕ ДОПУСКАЙТЕ, чтобы удобство или опыт эксплуатации данного устройства (полученный от многократного использования) доминировали над строгим соблюдением правил техники безопасности при обращении с этим устройством. **НЕПРАВИЛЬНОЕ ИСПОЛЬЗОВАНИЕ** инструмента или несоблюдение правил техники безопасности, указанных в данном руководстве, может привести к тяжелой травме.

Важные правила техники безопасности для работы с аккумуляторным блоком

1. Перед использованием аккумуляторного блока прочитайте все инструкции и предупреждающие надписи на (1) зарядном устройстве, (2) аккумуляторном блоке и (3) инструменте, работающем от аккумуляторного блока.
2. Не разбирайте блок аккумулятора и не меняйте его конструкцию. Это может привести к пожару, перегреву или взрыву.
3. Если время работы аккумуляторного блока значительно сократилось, немедленно прекратите работу. В противном случае, может возникнуть перегрев блока, что приведет к ожогам и даже к взрыву.
4. В случае попадания электролита в глаза промойте их обильным количеством чистой воды и немедленно обратитесь к врачу. Это может привести к потере зрения.
5. Не замыкайте контакты аккумуляторного блока между собой:

- (1) Не прикасайтесь к контактам какими-либо токопроводящими предметами.
- (2) Не храните аккумуляторный блок в контейнере вместе с другими металлическими предметами, такими как гвозди, монеты и т. п.
- (3) Не допускайте попадания на аккумуляторный блок воды или дождя.

Замыкание контактов аккумуляторного блока между собой может привести к возникновению большого тока, перегреву, возможным ожогам и даже поломке блока.

6. Не храните и не используйте инструмент и аккумуляторный блок в местах, где температура может достигать или превышать 50 °C (122 °F).
7. Не бросайте аккумуляторный блок в огонь, даже если он сильно поврежден или полностью вышел из строя. Аккумуляторный блок может взорваться под действием огня.
8. Запрещено бивать гвозди в блок аккумулятора, резать, ломать, бросать, ронять блок аккумулятора или ударять его твердым предметом. Это может привести к пожару, перегреву или взрыву.
9. Не используйте поврежденный аккумуляторный блок.
10. Входящие в комплект литий-ионные аккумуляторы должны эксплуатироваться в соответствии с требованиями законодательства об опасных товарах. При коммерческой транспортировке, например, третьей стороной или экспедитором, необходимо нанести на упаковку специальные предупреждения и маркировку. В процессе подготовки устройства к отправке обязательно проконсультируйтесь со специалистом по опасным материалам. Также соблюдайте местные требования и нормы. Они могут быть строже. Закройте или закрепите разомкнутые контакты и упакуйте аккумулятор так, чтобы он не перемещался по упаковке.
11. Для утилизации блока аккумулятора извлеките его из инструмента и утилизируйте безопасным способом. Выполняйте требования местного законодательства по утилизации аккумуляторного блока.

12. Используйте аккумуляторы только с продукцией, указанной Makita. Установка аккумуляторов на продукцию, не соответствующую требованиям, может привести к пожару, перегреву, взрыву или утечке электролита.
13. Если инструментом не будут пользоваться в течение длительного периода времени, извлеките аккумулятор из инструмента.
14. Во время и после использования блок аккумулятора может нагреваться, что может стать причиной ожогов или низкотемпературных ожогов. Будьте осторожны при обращении с горячим блоком аккумулятора.
15. Не прикасайтесь к контактам инструмента сразу после использования, поскольку они могут быть достаточно горячими, чтобы вызвать ожоги.
16. Не допускайте налипания на контакты, отверстие и пазы блока аккумулятора опилок, пыли или земли. Это может стать причиной перегрева, возгорания, взрыва или неисправности инструмента или блока аккумулятора, что может привести к ожогам или травмам.
17. Если инструмент не рассчитан на использование вблизи высоковольтных линий электропередач, не используйте блок аккумулятора вблизи высоковольтных линий электропередач. Это может привести к неисправности, поломке инструмента или блока аккумулятора.
18. Храните аккумулятор в недоступном для детей месте.

СОХРАНИТЕ ДАННЫЕ ИНСТРУКЦИИ.

▲ВНИМАНИЕ: Используйте только фирменные аккумуляторные батареи Makita. Использование аккумуляторных батарей, не произведенных Makita, или батарей, которые были подвергнуты модификациям, может привести к взрыву аккумулятора, пожару, травмам и повреждению имущества. Это также автоматически аннулирует гарантию Makita на инструмент и зарядное устройство Makita.

Советы по обеспечению максимального срока службы аккумулятора

1. Заряжайте блок аккумуляторов перед его полной разрядкой. Обязательно прекратите работу с инструментом и зарядите блок аккумуляторов, если вы заметили снижение мощности инструмента.
2. Никогда не подзаряжайте полностью заряженный блок аккумуляторов. Перезарядка сокращает срок службы аккумулятора.
3. Заряжайте блок аккумуляторов при комнатной температуре в 10 - 40 °C (50 - 104 °F). Перед зарядкой горячего блока аккумуляторов дайте ему остыть.
4. Если блок аккумулятора не используется, извлеките его из инструмента или зарядного устройства.
5. Зарядите ионно-литиевый аккумуляторный блок, если вы не будете пользоваться инструментом длительное время (более шести месяцев).

СБОРКА

⚠ ОСТОРОЖНО: Прежде чем выполнять какие-либо операции с газонокосилкой, убедитесь, что ключ блокировки и блок аккумулятора извлечены. Несоблюдение этого требования может привести к тяжелой травме в результате случайного пуска инструмента.

⚠ ОСТОРОЖНО: Не запускайте частично собранную газонокосилку. Использование машины в частично собранном виде может стать причиной тяжелой травмы в результате случайного пуска.

Установка рукоятки

ПРИМЕЧАНИЕ: При установке рукояток следите за тем, чтобы не защемить шнур между рукоятками. Если шнур поврежден, то выключатель косилки может не работать.

1. Совместите отверстие в нижней рукоятке с отверстием в верхней рукоятке, а затем вставьте болт снаружи и затяните накатную гайку изнутри. Выполните ту же процедуру с другой стороны.

Для DLM481/DLM539

- **Рис.1:** 1. Болт 2. Накатная гайка 3. Нижняя рукоятка 4. Верхняя рукоятка

Для DLM480/DLM538

- **Рис.2:** 1. Болт 2. Накатная гайка 3. Нижняя рукоятка 4. Верхняя рукоятка

2. Оттянув поворотную ручку на нижней рукоятке, поверните ее на 90°, чтобы освободить фиксирующий штифт. Выполните ту же процедуру с другой стороны. Поднимите рукоятку, а затем поверните поворотные ручки с обеих сторон на 90°. Убедитесь в том, что поворотные ручки надежно зафиксированы.

- **Рис.3:** 1. Поворотная ручка

ПРИМЕЧАНИЕ: Поддерживание рукоятки облегчает высвобождение фиксирующего штифта при оттягивании поворотной ручки.

Удаление вставки для мульчирования

1. Откройте заднюю крышку.
► **Рис.4:** 1. Задняя крышка
2. Слегка приподнимите и вытащите вставку для мульчирования.
► **Рис.5:** 1. Вставка для мульчирования

Сборка корзины для травы

1. Снимите верхний зажим корзины для травы.
► **Рис.6:** 1. Верхний зажим
2. Вставьте раму в корзину для травы до упора, удерживая рукоятку рамы.
► **Рис.7:** 1. Рукоятка

ПРИМЕЧАНИЕ: Не вставляйте рукоятку в корзину для травы. Раму необходимо вставлять вдоль шва корзины для травы.

3. Убедитесь, что края корзины для травы не просаживаются.
► **Рис.8**
4. Откройте верхний зажим и прикрепите его к раме.
► **Рис.9**
5. Прикрепите все остальные зажимы, как показано на рисунке. Убедитесь, что все зажимы надежно закреплены на раме.
► **Рис.10:** 1. Зажим

Установка или удаление корзины для травы

Установка корзины для травы выполняется по указанной далее процедуре.

1. Откройте заднюю крышку.
► **Рис.11:** 1. Задняя крышка
2. Удерживая рукоятку корзины для травы, зацепите корзину для травы за стержень корпуса газонокосилки, как показано на рисунке.
► **Рис.12:** 1. Корзина для травы 2. Рукоятка 3. Стержень

Для снятия корзины для травы откройте заднюю крышку и извлеките корзину для травы, удерживая рукоятку.

Установка вставки для мульчирования

1. Откройте заднюю крышку и снимите корзину для травы.
► **Рис.13:** 1. Задняя крышка 2. Корзина для травы
2. Прикрепите вставку для мульчирования, продвинув ее на максимально возможное расстояние таким образом, чтобы выступы вставки для мульчирования вошли в отверстия устройства.
► **Рис.14:** 1. Вставка для мульчирования 2. Выступ

ОПИСАНИЕ РАБОТЫ

Установка или снятие блока аккумулятора

▲ВНИМАНИЕ: Перед установкой и извлечением блока аккумулятора выключайте машину.

▲ВНИМАНИЕ: При установке и извлечении блока аккумулятора крепко удерживайте машину и блок аккумулятора. Если не удерживать машину и блок аккумулятора крепко, они могут выскользнуть из рук, что приведет к повреждению машины и блока аккумулятора, а также травмированию оператора.

▲ВНИМАНИЕ: Перед использованием убедитесь, что заперли крышку блока аккумулятора. В противном случае грязь, мусор или вода могут повредить изделие или блок аккумулятора.

▲ВНИМАНИЕ: Обязательно устанавливайте блок аккумулятора до конца таким образом, чтобы красный индикатор не был виден. В противном случае блок может выпастить из машины и нанести травму вам или другим людям.

▲ВНИМАНИЕ: Не прилагайте чрезмерных усилий при установке блока аккумулятора. Если блок не двигается свободно, значит он вставлен неправильно.

▲ВНИМАНИЕ: При установке и извлечении блока аккумулятора крепко удерживайте крышку аккумуляторного отсека.

ПРИМЕЧАНИЕ: Машина не будет работать только с одним блоком аккумулятора.

Чтобы установить блок аккумулятора:

1. Потяните вверх стопорный рычаг и откройте крышку отсека аккумулятора.

► **Рис.15:** 1. Крышка аккумуляторной батареи
2. Стопорный рычаг

2. Совместите язычок на блоке аккумулятора с канавкой на машине и вставьте блок до легкого щелчка.

► **Рис.16:** 1. Блок аккумулятора

3. Вставьте ключ блокировки до упора в точку, показанной на рисунке.

► **Рис.17:** 1. Ключ блокировки

4. Закройте крышку аккумулятора и нажмите на нее до фиксации рычагом блокировки.

Снятие блока аккумулятора

1. Потяните вверх стопорный рычаг и откройте крышку аккумуляторного отсека.

2. Потяните блок аккумулятора из машины, удерживая нажатой кнопку на лицевой стороне, и извлеките блок.

3. Извлеките ключ блокировки.

4. Закройте крышку аккумулятора.

Система защиты машины / аккумулятора

На машине предусмотрена система защиты машины / аккумулятора. Эта система автоматически отключает питание двигателя для продления срока службы машины и аккумулятора. Машина автоматически отключится в указанных далее случаях, влияющих на работу самой машины или аккумулятора.

Защита от перегрузки

Если из-за способа эксплуатации аккумулятор потребляет аномально высокий ток, машина автоматически выключится, а основной индикатор питания начнет мигать зеленым. В этом случае отключите машину и прекратите работу, из-за которой произошла перегрузка. Затем включите машину для перезапуска.

Защита от перегрева

При перегреве машины или аккумулятора машина автоматически останавливается, а основной индикатор питания начинает гореть красным. В этом случае дайте машине и аккумулятору остыть перед повторным включением.

Защита от переразрядки

Если емкости аккумулятора недостаточно, машина остановится автоматически, а основной индикатор питания начнет мигать красным. В этом случае следует извлечь из машины аккумулятор и зарядить блоки аккумуляторов или заменить их на полностью заряженные.

Защита от других неполадок

Система защиты рассчитана также и на другие неполадки, способные повредить машину, и обеспечивает возможность ее автоматической остановки. В случае временной остановки или прекращения работы машины выполните все перечисленные ниже действия для устранения причины остановки.

1. Выключите машину и снова включите ее для перезапуска.
2. Зарядите аккумулятор(-ы) или замените его/их на заряженный(-е).
3. Дайте машине и аккумулятору(-ам) возможность остыть.

Если после восстановления системы защиты ситуация не изменится, обратитесь в сервисный центр Makita.

ПРИМЕЧАНИЕ: Если машина останавливается по причине, не описанной выше, см. раздел, касающийся поиска и устранения неисправностей.

Индикация оставшегося заряда аккумулятора

► **Рис.18:** 1. Индикатор аккумулятора

При низком заряде аккумулятора его индикатор начинает мигать на соответствующей стороне аккумулятора. При дальнейшем использовании машина останавливается, и загорается индикатор аккумулятора. В этом случае следует зарядить блок аккумулятора.

Индикация оставшегося заряда аккумулятора

Только для блоков аккумулятора с индикатором

Нажмите кнопку проверки на аккумуляторном блоке для проверки заряда. Индикаторы загорятся на несколько секунд.

► Рис.19: 1. Индикаторы 2. Кнопка проверки

Индикаторы			Уровень заряда
Горит	Выкл.	Мигает	
■	□	▣	от 75 до 100%
■ ■ ■ ■	□ □ □ □	▣	
■ ■ ■ ■	□ □ □ □	▣	от 50 до 75%
■ ■ ■ ■	□ □ □ □	▣	от 25 до 50%
■ ■ ■ ■	□ □ □ □	▣	от 0 до 25%
▣	□ □ □ □	▣	Зарядите аккумуляторную батарею.
■ ■ ■ ■	□ □ □ □	▣	Возможно, аккумуляторная батарея неисправна.
□ □ □ □	■ ■ ■ ■	▣	

ПРИМЕЧАНИЕ: В зависимости от условий эксплуатации и температуры окружающего воздуха индикация может незначительно отличаться от фактического значения.

ПРИМЕЧАНИЕ: Первая (дальняя левая) индикаторная лампа будет мигать во время работы защитной системы аккумулятора.

Главный переключатель питания

▲ ОСТОРОЖНО: Держите основной переключатель питания выключенным, когда он не используется.

► Рис.20: 1. Основной индикатор питания
2. Главный переключатель питания

Для включения устройства нажмите главный переключатель питания. Основной индикатор питания загорится зеленым светом. Для выключения устройства нажмите главный переключатель питания еще раз.

ПРИМЕЧАНИЕ: Если основной индикатор питания загорится красным или начнет мигать красным или зеленым, см. раздел инструкций по системе защиты машины или аккумулятора.

ПРИМЕЧАНИЕ: Эта машина оснащена функцией автоматического отключения. Для предотвращения случайного запуска главный переключатель питания автоматически отключается, если не нажимать рычажный выключатель и рычаг привода (если установлены) в течение определенного периода времени после включения главного переключателя питания.

Действие выключателя

▲ ОСТОРОЖНО: Перед установкой блока аккумулятора обязательно убедитесь в том, что рычажный выключатель работает правильно и возвращается в исходное положение после отпускания. Эксплуатация машины с неисправным переключателем может привести к потере контроля над ней и получению тяжелой травмы.

ПРИМЕЧАНИЕ: Если не нажать кнопку включения, газонокосилка не запустится, даже если потянуть рычажный выключатель.

ПРИМЕЧАНИЕ: Газонокосилка может не запуститься по причине перегрузки, если вы косите высокую или густую траву. В таком случае увеличьте высоту стрижки.

Эта газонокосилка оснащена ключом блокировки и рукояткой с выключателем. Заметив какие-либо отклонения в работе ключа блокировки или выключателя, немедленно прекратите работу и проверьте их в ближайшем авторизованном сервисном центре Makita.

Для DLM481/DLM539

1. Установите блоки аккумуляторов. Вставьте ключ блокировки и закройте крышку отсека аккумулятора.
2. Нажмите главный переключатель питания.
3. Потяните рычажный выключатель к себе, удерживая кнопку включения / выключения питания. Как только двигатель заработает, отпустите кнопку включения.

► Рис.21: 1. Кнопка включения 2. Рычаг переключателя

4. Удерживая рычажный выключатель, нажмите рычаг привода вперед и удерживайте для снятия блокировки задних колес.

► Рис.22: 1. Рычаг привода

ПРИМЕЧАНИЕ: Задние колеса можно привести в движение, нажав рычаг привода вперед и удерживая его без нажатия рычажного выключателя.

5. Чтобы остановить машину, отпустите рычаг привода и рычажный выключатель.

Для DLM480/DLM538

1. Установите блоки аккумуляторов. Вставьте ключ блокировки и закройте крышку отсека аккумулятора.
2. Нажмите главный переключатель питания.
3. Потяните рычажный выключатель к себе, удерживая кнопку включения / выключения питания. Как только двигатель заработает, отпустите кнопку включения.

► Рис.23: 1. Кнопка включения 2. Рычаг переключателя

4. Для выключения двигателя отпустите рычажный выключатель.

Регулировка высоты стрижки

⚠ ОСТОРОЖНО: При регулировке высоты стрижки не подсовывайте руку или ногу под газонокосилку.

⚠ ОСТОРОЖНО: Перед началом работы обязательно проверяйте, что рычаг хорошо входит в паз.

Высоту скашивания можно регулировать в диапазоне от 20 мм до 100 мм.

Вытащите ключ блокировки, потяните рычаг регулировки высоты скашивания наружу относительно корпуса газонокосилки и переместите его в положение, соответствующее желаемой высоте скашивания.

► **Рис.24:** 1. Рычаг регулировки высоты скашивания

В таблице ниже показано соотношение цифр на корпусе газонокосилки и приблизительной высоты скашивания.

Цифра	Высота скашивания
1	20 мм
2	26 мм
3	32 мм
4	40 мм
5	49 мм
6	59 мм
7	70 мм
8	81 мм
9	92 мм
10	100 мм

Возьмитесь одной рукой за нижнюю рукоятку и перемещайте рычаг регулировки высоты скашивания второй рукой.

► **Рис.25:** 1. Рычаг регулировки высоты скашивания 2. Нижняя рукоятка

ПРИМЕЧАНИЕ: Значения высоты стрижки приведены только для справки. В зависимости от состояния газона и почвы конечная высота скошенной травы может незначительно отличаться от заданной.

ПРИМЕЧАНИЕ: Чтобы добиться желаемой высоты, выполните пробное скашивание на не слишком заметном участке газона.

Индикатор уровня травы

Индикатор уровня травы показывает объем скошенной травы. Если корзина для травы не заполнена до верха, индикатор перемещается во время работы лезвий.

► **Рис.26:** 1. Индикатор уровня травы

Если корзина для травы почти заполнена, индикатор не перемещается во время работы лезвий. В этом случае немедленно прекратите работу и опорожните корзину.

► **Рис.27:** 1. Индикатор уровня травы

ПРИМЕЧАНИЕ: Данный индикатор показывает приблизительный объем. В зависимости от условий внутри корзины индикатор может работать с ошибками.

Регулировка высоты рукоятки

Рукоятка имеет двухступенчатую регулировку высоты.

1. Удерживая нижнюю рукоятку, оттяните поворотную ручку на нижней рукоятке и поверните ее на 90°, чтобы освободить фиксирующий штифт. Выполните ту же процедуру с другой стороны.

► **Рис.28:** 1. Нижняя рукоятка 2. Поворотная ручка

ПРИМЕЧАНИЕ: Поддерживание рукоятки облегчает высвобождение фиксирующего штифта при оттягивании поворотной ручки.

2. Отрегулируйте высоту рукоятки, а затем поверните поворотные ручки с обеих сторон на 90°. Убедитесь в том, что поворотные ручки надежно зафиксированы.

► **Рис.29:** 1. Поворотная ручка

Регулировка скорости передвижения

Для DLM481/DLM539

► **Рис.30:** 1. Рычаг регулировки скорости

Скорость передвижения можно отрегулировать рычагом регулировки скорости. Для уменьшения скорости потяните рычаг на себя, для увеличения скорости нажмите рычаг вперед.

Использование вставки для мульчирования

Вставка для мульчирования позволяет сбрасывать измельченную траву обратно на газон без сбора в корзину для травы. При работе с машиной, на которой установлена вставка для мульчирования, снимите корзину для травы.

ПРИМЕЧАНИЕ: При использовании машины со вставкой для мульчирования убедитесь в том, что общая длина травы после срезания составляет не менее 30 мм, а длина среза – не более 15 мм.

► **Рис.31:** (1) 30 мм или больше (2) 15 мм или меньше

Использование заднего выброса

Использование заднего выброса позволяет сбрасывать измельченную траву на газон с задней стороны машины без сбора ее в корзину для травы.

При использовании на машине заднего выброса не забудьте удалить корзину для травы и вставку для мульчирования и закрыть заднюю крышку.

Электронная функция

Для простоты эксплуатации устройство оснащено электронными функциями.

- Плавный запуск во время приведения в движение. Функция плавного запуска уменьшает пусковой удар и смягчает запуск устройства.
- Электрический тормоз. Эта машина оснащена электрическим тормозом. Если после отпущения рычажного выключателя не каждый раз происходит быстрая остановка лезвий газонокосилки, отправьте машину в официальный сервисный центр Makita для обслуживания.

ЭКСПЛУАТАЦИЯ

Скашивание

▲ ОСТОРОЖНО: Перед скашиванием уберегите с газона ветки и камни. Кроме того, заблаговременно очистите газон от сорняков.

▲ ОСТОРОЖНО: При использовании газонокосилки обязательно надевайте защитные очки с боковыми щитками.

▲ ВНИМАНИЕ: Если внутри корпуса газонокосилки набилась скошенная трава или посторонние предметы, перед очисткой корпуса обязательно выгасите ключ блокировки и блок аккумулятора и наденьте перчатки.

ПРИМЕЧАНИЕ: Используйте машину только для стрижки газонов. Не используйте ее для скашивания сорняков.

► Рис.32

Во время работы крепко удерживайте рукоятку обеими руками. Рекомендованная скорость скашивания составляет приблизительно от 7 до 14 метров за 10 секунд.

► Рис.33

ПРИМЕЧАНИЕ: При стрижке газона с высокой или плотной травой, если после скашивания трава выглядит неровной плохо скошенной либо в процессе скашивания наблюдается падение оборотов двигателя ниже уровня, рекомендуемого в настоящем руководстве, то следует уменьшить скорость или увеличить высоту скашивания.

Центральные линии на передних колесах показывают ширину полосы скашивания. Используйте их в качестве направляющих, косите полосами. Чтобы равномерно подстричь газон, захватывайте половину или третью часть предыдущей полосы.

► Рис.34: 1. Ширина скашивания 2. Зона захвата 3. Центральная линия

Каждый раз меняйте направление движения, чтобы избежать пригибания травы в одном направлении.

► Рис.35

Периодически проверяйте степень заполнения корзины для травы. Опорожните корзину, прежде чем она заполнится полностью. Перед каждой проверкой обязательно останавливайте газонокосилку и извлеките ключ блокировки и блок аккумулятора.

ПРИМЕЧАНИЕ: Эксплуатация газонокосилки с заполненной корзиной для травы мешает плавному вращению лезвия и оказывает дополнительную нагрузку на двигатель, что может привести к поломке.

Скашивание газона с высокой травой

Не старайтесь скашивать газон с длинной травой за один заход. Вместо этого выполняйте работу в несколько этапов. Стригите газон с интервалом в один или два дня до тех пор, пока он не станет ровным.

► Рис.36

ПРИМЕЧАНИЕ: Скашивание газона с длинной травой до короткого состояния за один заход может привести к его гибели. Скошенная трава также может застрять внутри корпуса косилки.

ПРИМЕЧАНИЕ: Если после скашивания трава выглядит неровной или в процессе скашивания наблюдается снижение оборотов двигателя, следует уменьшить скорость скашивания или увеличить высоту скашивания.

Опорожнение корзины для травы

▲ ОСТОРОЖНО: Чтобы снизить риск несчастного случая, регулярно проверяйте корзину для травы на предмет повреждений и потери прочности. При необходимости замените ее.

1. Отпустите рычаг переключателя и рычаг привода (для DLM481/DLM539) или отпустите рычаг переключателя (для DLM480/DLM538).
2. Извлеките ключ блокировки.
3. Откройте заднюю крышку и извлеките корзину для травы за специальную рукоятку.
4. Опорожните корзину для травы.

► Рис.37: 1. Задняя крышка 2. Ручка 3. Корзина для травы

ОБСЛУЖИВАНИЕ

▲ ОСТОРОЖНО: Перед помещением на хранение, переноской, осмотром или техническим обслуживанием газонокосилки обязательно выньте ключ блокировки и блок аккумулятора.

▲ ОСТОРОЖНО: Если газонокосилка не используется, обязательно извлеките ключ блокировки. Храните ключ блокировки в безопасном месте, недоступном для детей.

▲ ОСТОРОЖНО: При осмотре и обслуживании надевайте защитные перчатки.

▲ ОСТОРОЖНО: При осмотре и техническом обслуживании газонокосилки обязательно надевайте защитные очки с боковыми щитками.

ПРИМЕЧАНИЕ: Запрещается использовать бензин, растворители, спирт и другие подобные жидкости. Это может привести к обесцвечиванию, деформации и трещинам.

Для обеспечения БЕЗОПАСНОСТИ и НАДЕЖНОСТИ оборудования ремонт, любое другое техобслуживание или регулировку необходимо производить в уполномоченных сервис-центрах Makita или сервис-центрах предприятия с использованием только сменных частей производства Makita.

Обслуживание

1. Вытащите ключ блокировки и блоки аккумуляторов и закройте крышку отсека аккумулятора.
2. Положите газонокосилку на бок. Удалите обрезки травы с днища газонокосилки.
3. Вода должна стекать к нижней части устройства, где крепится лезвие.

ПРИМЕЧАНИЕ: Запрещается мыть устройство струей воды с высоким напором.

4. Проверьте надежность затяжки всех гаек, болтов, винтов и т. п.
5. Осмотрите подвижные части на предмет повреждений, поломок и износа. Необходимо отремонтировать или заменить поврежденные компоненты.
6. Храните газонокосилку в безопасном месте, недоступном для детей.

Для DLM481/DLM539

ПРИМЕЧАНИЕ: Не допускайте попадания воды на зону, показанную на рисунке. Попадание воды на узел двигателя может привести к неисправности машины.

- **Рис.38:** 1. Зона, куда не следует допускать попадания воды

Для DLM481/DLM539

ПРИМЕЧАНИЕ: Не поливайте водой машину, когда она находится в вертикальном положении, как показано на рисунке. Когда машина находится в вертикальном положении, вода может попасть в узел двигателя и вызвать поломку машины.

- **Рис.39**

Переноска газонокосилки

⚠ВНИМАНИЕ: Прежде чем переносить газонокосилку, обязательно извлеките блок аккумулятора и ключ блокировки.

При переноске газонокосилки два человека должны удерживать ее за заднюю рукоятку и за расположенный в передней части машины участок для удержания снизу, как показано на рисунке.

- **Рис.40:** 1. Участок для удержания снизу
2. Задняя рукоятка

Хранение

⚠ВНИМАНИЕ: При установке машины в вертикальное положение ее следует разместить на ровной и устойчивой поверхности. Если поставить машину на неустойчивую поверхность, она может опрокинуться и нанести травмы.

Храните газонокосилку в помещении, в сухом, прохладном, запираемом месте. Не храните газонокосилку и зарядное устройство в местах, где температура может подниматься до 40 °C и выше.

1. Извлеките блок аккумулятора и ключ блокировки.
2. Оттянув поворотную ручку на нижней рукоятке, поверните ее на 90°, чтобы освободить фиксирующий штифт. Выполните ту же процедуру с другой стороны, а затем сложите рукоятку.
► **Рис.41:** 1. Поворотная ручка

ПРИМЕЧАНИЕ: Поддерживание рукоятки облегчает высвобождение фиксирующего штифта при оттягивании поворотной ручки.

3. Поверните поворотную ручку с обеих сторон на 90°. Убедитесь в том, что поворотные ручки надежно зафиксированы.

Для DLM481/DLM539

- **Рис.42:** 1. Поворотная ручка

Для DLM480/DLM538

- **Рис.43:** 1. Поворотная ручка

ПРИМЕЧАНИЕ: Складывая рукоятку, соблюдайте осторожность, чтобы не защемить провода.

4. Ослабьте накатные гайки с обеих сторон и сложите верхнюю рукоятку, как показано на рисунке.
► **Рис.44:** 1. Накатная гайка 2. Верхняя рукоятка
5. Установите машину в вертикальное положение.

ПРИМЕЧАНИЕ: При установке косилки в вертикальное положение не пытайтесь удерживать ее только за рукоятку; придерживайте корпус косилки и рукоятку.

6. Корзину для травы следует хранить так, как показано на рисунке.
► **Рис.45:** 1. Корзина для травы
► **Рис.46:** 1. Корзина для травы

Снятие или установка лезвия косилки

⚠ОСТОРОЖНО: После отпущения выключателя лезвие продолжает вращаться по инерции в течение нескольких секунд. Не приступайте к выполнению каких-либо операций, пока лезвие полностью не остановится.

⚠ОСТОРОЖНО: Обязательно извлекайте ключ блокировки и блок аккумулятора при снятии и установке лезвия. Невыполнение этого требования может привести к тяжелой травме.

⚠ОСТОРОЖНО: При работе с лезвием обязательно надевайте защитные перчатки.

ПРИМЕЧАНИЕ: При снятии или установке лезвия газонокосилки используйте накидной ключ, поставляемый в комплекте с машиной.

Снятие лезвия газонокосилки

1. Положите газонокосилку на бок, чтобы рычаг регулировки высоты скашивания оказался снизу.
2. Чтобы заблокировать лезвие, вставьте штифт в отверстие на корпусе газонокосилки до упора.
3. Открутите болт против часовой стрелки торцевым ключом на 17.

► **Рис.47:** 1. Лезвие газонокосилки 2. Штифт
3. Торцевой ключ

4. Выкрутите болт, а затем снимите лезвие газонокосилки.

► **Рис.48:** 1. Опора лезвия 2. Лезвие газонокосилки
3. Болт 4. Выступ

ПРИМЕЧАНИЕ: Во время установки лезвия газонокосилки убедитесь в том, что выступы на опоре лезвия входят в отверстия на лезвии газонокосилки.

Установка лезвия газонокосилки

▲ОСТОРОЖНО: Осторожно установите лезвие газонокосилки. Лезвие имеет верхнюю и нижнюю сторону.

▲ОСТОРОЖНО: Надежно затяните болт по часовой стрелке, чтобы зафиксировать лезвие.

▲ОСТОРОЖНО: Убедитесь в том, что лезвие газонокосилки и все крепежные детали установлены правильно и надежно затянуты.

▲ОСТОРОЖНО: При замене лезвий всегда следуйте инструкциям, приведенным в этом руководстве.

ПРИМЕЧАНИЕ: При затягивании болта для установки лезвия газонокосилки прикладывайте усилие затяжки 19 - 29 Н•м (данные значения указаны только в справочных целях).

ПРИМЕЧАНИЕ: После установки лезвий газонокосилки извлеките штифт из корпуса газонокосилки.

Установка лезвий газонокосилки выполняется в порядке, обратном процедуре снятия.

ПОИСК И УСТРАНЕНИЕ НЕИСПРАВНОСТЕЙ

Прежде чем обращаться по поводу ремонта, проведите осмотр самостоятельно. Если обнаружена неисправность, не указанная в руководстве, не пытайтесь разобрать инструмент. Обратитесь в один из авторизованных сервисных центров Makita, в которых для ремонта используются только оригинальные детали Makita.

Состояние неисправности	Возможная причина (неисправности)	Способ устранения
Газонокосилка не запускается.	Не установлены два блока аккумулятора.	Установите два заряженных блока аккумулятора.
	Неисправен аккумулятор (пониженное напряжение)	Зарядите блок аккумулятора. Если перезарядка не помогает, замените блок аккумулятора.
	Ключ блокировки не вставлен.	Вставьте ключ блокировки.
После непродолжительного использования двигатель останавливается.	Низкий уровень заряда аккумулятора.	Зарядите блок аккумулятора. Если перезарядка не помогает, замените блок аккумулятора.
	Установлена слишком малая высота срезания.	Увеличьте высоту срезания.
	Засорение газонокосилки срезанной травой.	Удалите траву из газонокосилки.
Двигатель не достигает максимальной частоты вращения.	Неправильно установлен блок аккумулятора.	Вставьте блок аккумулятора, как описано в этом руководстве.
	Заряд аккумулятора падает.	Зарядите блок аккумулятора. Если перезарядка не помогает, замените блок аккумулятора.
	Привод работает неправильно.	Обратитесь в местный авторизованный центр для ремонта.
Лезвие газонокосилки не вращается: ⇒ немедленно выключите косилку!	Посторонний объект (например, ветка) застрял рядом с лезвием.	Удалите посторонний предмет.
	Привод работает неправильно.	Обратитесь в местный авторизованный центр для ремонта.
Сильная вибрация: ⇒ немедленно выключите косилку!	Лезвие разбалансировано, изношено слишком сильно или неравномерно.	Замените лезвие.

ДОПОЛНИТЕЛЬНЫЕ ПРИНАДЛЕЖНОСТИ

⚠ВНИМАНИЕ: Эти принадлежности или насадки рекомендованы для использования с машиной Makita, указанной в этом руководстве. Использование других принадлежностей или насадок может привести к травме. Используйте принадлежность или насадку только по назначению.

Если вам необходимо содействие в получении дополнительной информации по этим принадлежностям, свяжитесь с вашим сервис-центром Makita.

- Лезвие газонокосилки
- Оригинальный аккумулятор и зарядное устройство Makita

ПРИМЕЧАНИЕ: Некоторые элементы из списка могут входить в комплект машины в качестве стандартных принадлежностей. Они могут различаться в зависимости от страны.





Makita Europe N.V.

Jan-Baptist Vinkstraat 2, 3070 Kortenberg, Belgium

Makita Corporation

3-11-8, Sumiyoshi-cho, Anjo, Aichi 446-8502 Japan

www.makita.com



885927C988
EN, SV, NO, FI, DA,
LV, LT, ET, RU
20231117