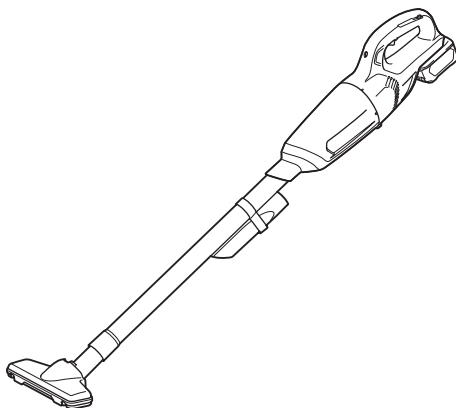




<b>EN</b>	Cordless Cleaner	INSTRUCTION MANUAL	6
<b>SV</b>	Sladdlös dammsugare	BRUKSANVISNING	11
<b>NO</b>	Batteridrevet støvsuger	BRUKSANVISNING	16
<b>FI</b>	Akkukäyttöinen pölynimuri	KÄYTTÖOHJE	21
<b>LV</b>	Bezvadū tīrītājs	LIETOŠANAS INSTRUKCIJA	26
<b>LT</b>	Belaidis siurblys	NAUDOJIMO INSTRUKCIJA	31
<b>ET</b>	Juhtmeta käsitolmuimeja	KASUTUSJUHEND	36
<b>RU</b>	Аккумуляторный пылесос	РУКОВОДСТВО ПО ЭКСПЛУАТАЦИИ	41

## CL106FD



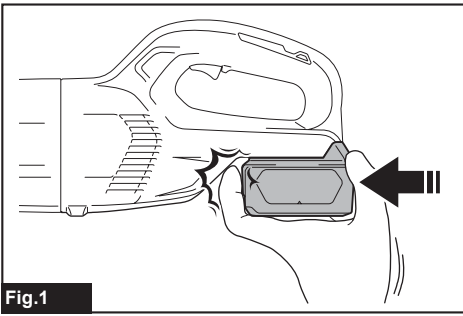


Fig.1

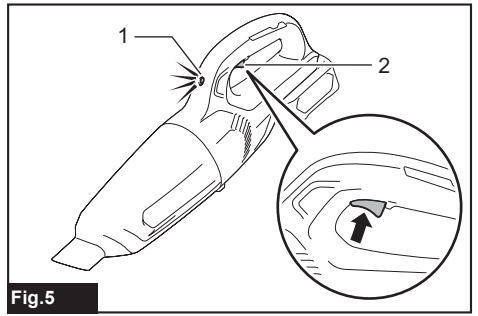


Fig.5

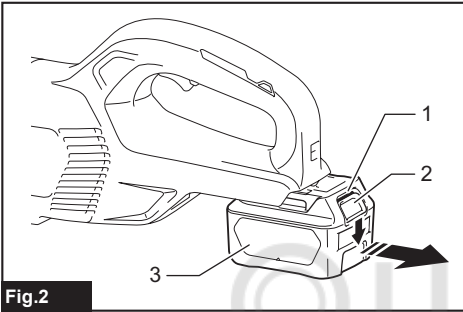


Fig.2

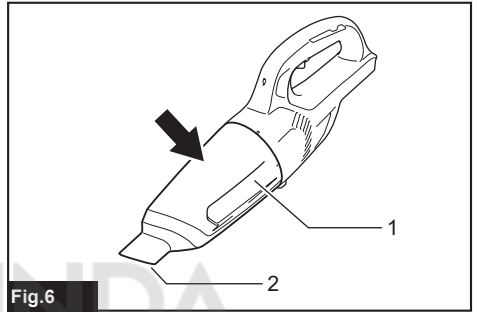


Fig.6

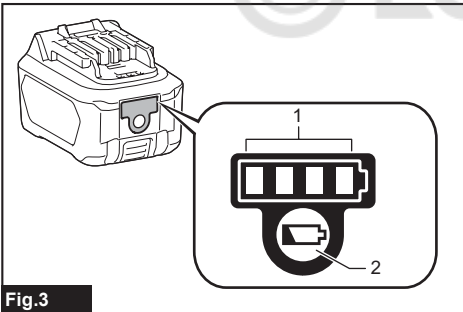


Fig.3

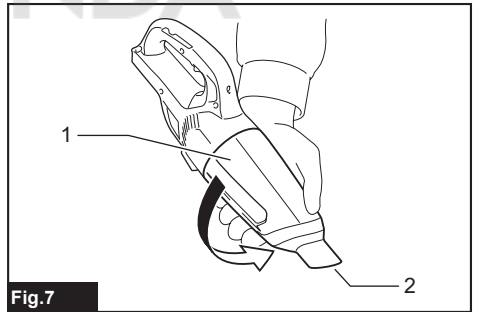


Fig.7

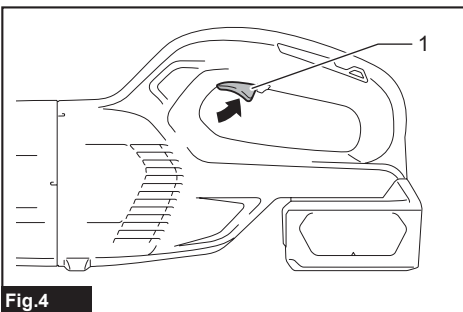


Fig.4

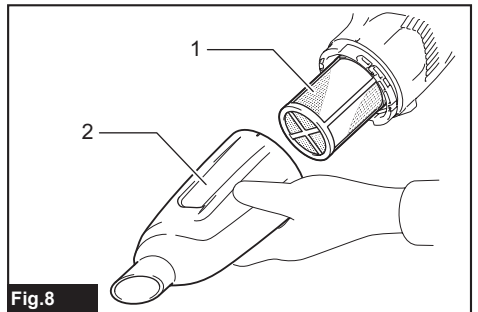
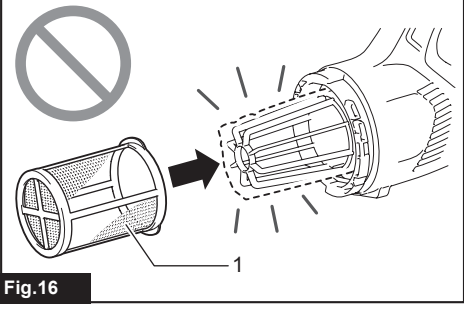
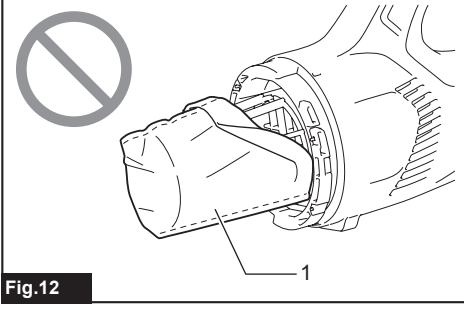
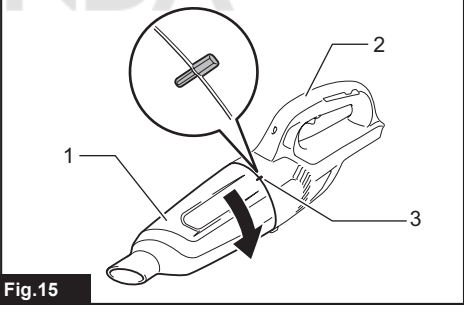
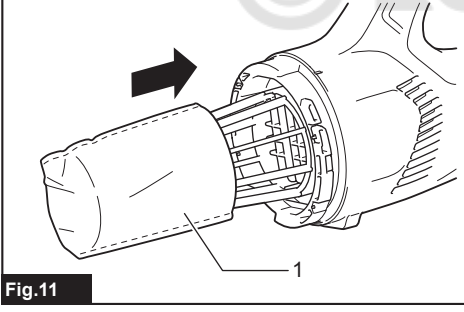
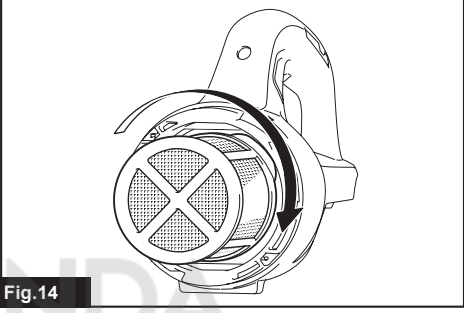
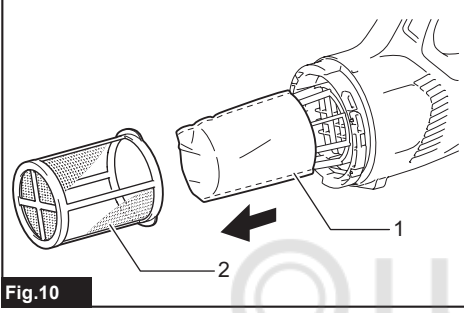
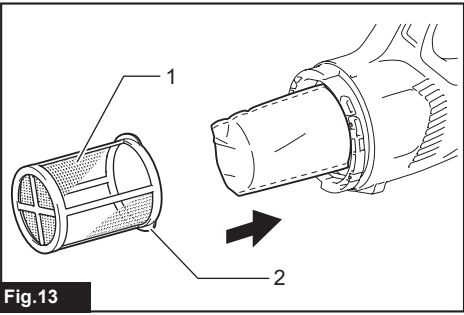
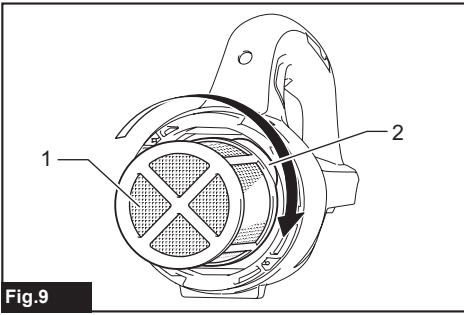


Fig.8



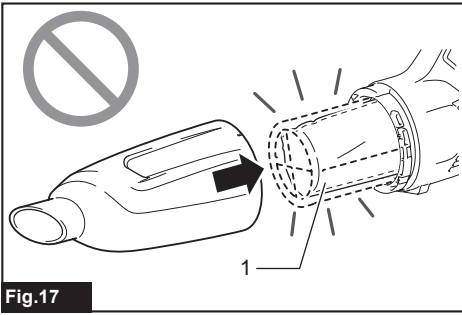


Fig.17

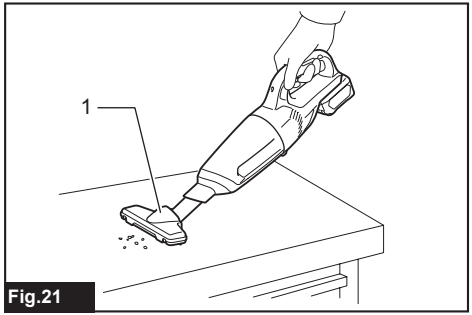


Fig.21

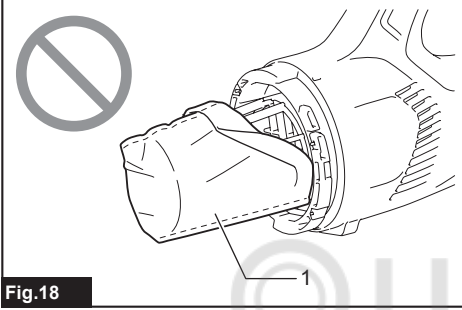


Fig.18

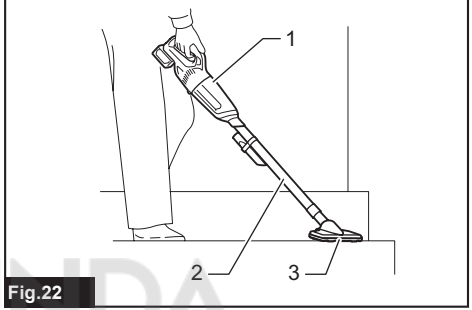


Fig.22

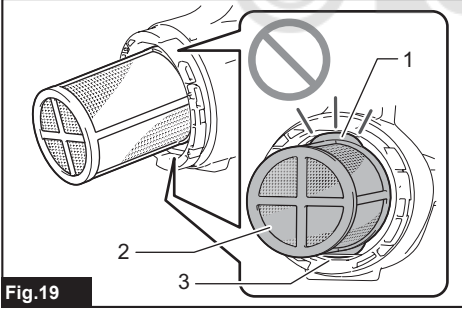


Fig.19

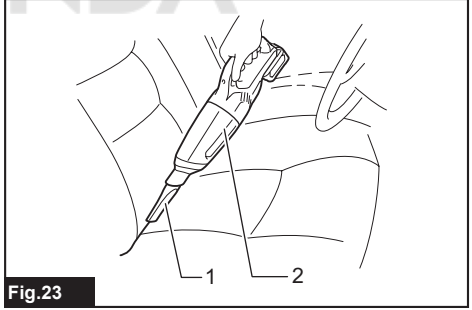


Fig.23

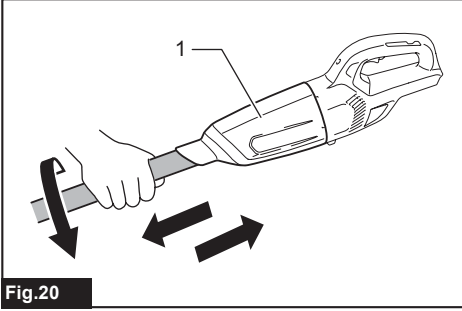


Fig.20

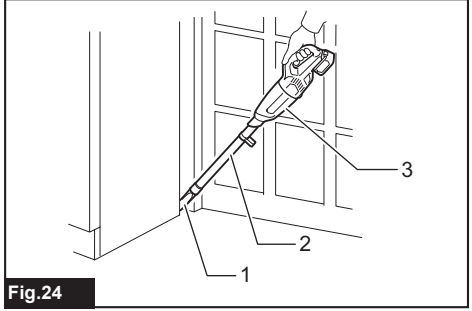


Fig.24

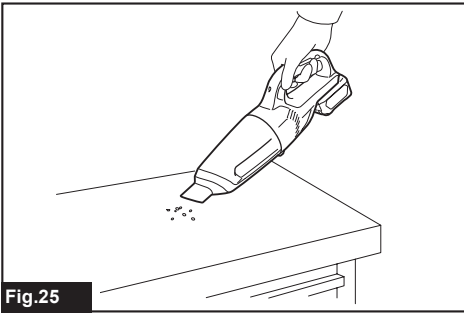


Fig.25

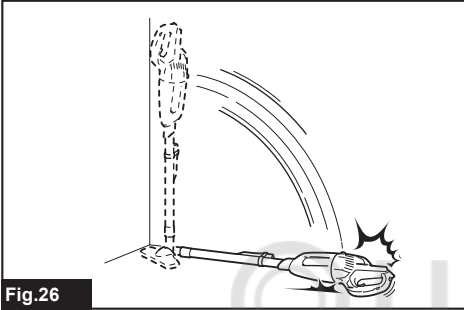


Fig.26

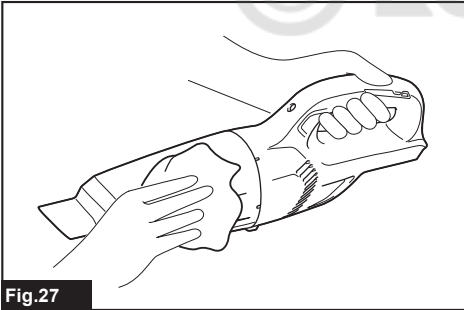


Fig.27

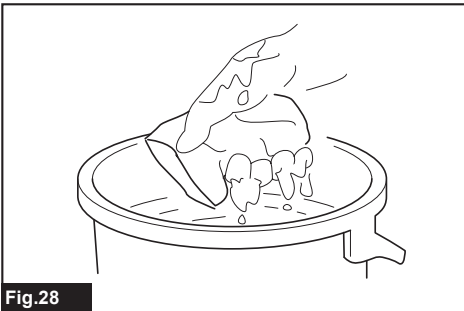


Fig.28

## WARNING

This appliance can be used by children aged from 8 years and above and persons with reduced physical, sensory or mental capabilities or lack of experience and knowledge if they have been given supervision or instruction concerning use of the appliance in a safe way and understand the hazards involved. Children shall not play with the appliance. Cleaning and user maintenance shall not be made by children without supervision.

## SPECIFICATIONS

Model:	CL106FD	
Capacity	600 mL	
Continuous use (with battery BL1015)	Approx. 16 min	
Overall length	958 mm	
Rated voltage	D.C. 10.8 V	
Battery cartridge	BL1015, BL1020B	BL1040B
Net weight	1.0 kg	1.1 kg

- Due to our continuing program of research and development, the specifications herein are subject to change without notice.
- Specifications and battery cartridge may differ from country to country.
- Weight, with battery cartridge, according to EPTA-Procedure 01/2003

## Symbols

The following show the symbols used for the equipment. Be sure that you understand their meaning before use.



Read instruction manual.



Only for EU countries  
Do not dispose of electric equipment or battery pack together with household waste material! In observance of the European Directives, on Waste Electric and Electronic Equipment and Batteries and Accumulators and Waste Batteries and Accumulators and their implementation in accordance with national laws, electric equipment and batteries and battery pack(s) that have reached the end of their life must be collected separately and returned to an environmentally compatible recycling facility.

## Intended use

The tool is intended for collecting dry dust.

## SAFETY WARNINGS

### Cordless cleaner safety warnings

**⚠ WARNING: IMPORTANT! READ CAREFULLY all safety warnings and all instructions BEFORE USE .** Failure to follow the warnings and instructions may result in electric shock, fire and/or serious injury.

1. **Do not expose to rain. Store indoors.**
2. **Do not allow to be used as a toy. Close attention is necessary when used by or near children.**
3. **Use only as described in this manual. Use only manufacturer's recommended attachments.**
4. **Do not use with damaged battery. If appliance is not working as it should, has been dropped, damaged, left outdoors, or dropped into water, return it to a service center.**
5. **Do not handle appliance with wet hands.**
6. **Do not put any object into openings. Do not use with any opening blocked; keep free of dust, lint, hair, and anything that may reduce air flow.**
7. **Keep hair, loose clothing, fingers, and all parts of body away from openings and moving parts.**
8. **Turn off all controls before removing the battery.**

9. Use extra care when cleaning on stairs.
10. Do not use to pick up flammable or combustible liquids, such as gasoline, or use in areas where they may be present.
11. Use only the charger supplied by the manufacturer to recharge.
12. Do not pick up anything that is burning or smoking, such as cigarettes, matches, or hot ashes.
13. Do not use without dust bag and/or filters in place.
14. Do not charge the battery outdoors.
15. Recharge only with the charger specified by the manufacturer. A charger that is suitable for one type of battery pack may create a risk of fire when used with another battery pack.
16. Use power tools only with specifically designated battery packs. Use of any other battery packs may create a risk of injury and fire.
17. When (the) battery pack is not in use, keep it away from other metal objects, like paper clips, coins, keys, nails, screws or other small metal objects, that can make a connection from one terminal to another.
18. Under abusive conditions, liquid may be ejected from the battery; avoid contact. If contact accidentally occurs, flush with water.
2. Do not disassemble battery cartridge.
3. If operating time has become excessively shorter, stop operating immediately. It may result in a risk of overheating, possible burns and even an explosion.
4. If electrolyte gets into your eyes, rinse them out with clear water and seek medical attention right away. It may result in loss of your eyesight.
5. Do not short the battery cartridge:
  - (1) Do not touch the terminals with any conductive material.
  - (2) Avoid storing battery cartridge in a container with other metal objects such as nails, coins, etc.
  - (3) Do not expose battery cartridge to water or rain.

A battery short can cause a large current flow, overheating, possible burns and even a breakdown.
6. Do not store the tool and battery cartridge in locations where the temperature may reach or exceed 50 °C (122 °F).
7. Do not incinerate the battery cartridge even if it is severely damaged or is completely worn out. The battery cartridge can explode in a fire.
8. Be careful not to drop or strike battery.
9. Do not use a damaged battery.
10. The contained lithium-ion batteries are subject to the Dangerous Goods Legislation requirements. For commercial transports e.g. by third parties, forwarding agents, special requirement on packaging and labeling must be observed. For preparation of the item being shipped, consulting an expert for hazardous material is required. Please also observe possibly more detailed national regulations. Tape or mask off open contacts and pack up the battery in such a manner that it cannot move around in the packaging.

## SAVE THESE INSTRUCTIONS.

### ADDITIONAL SAFETY RULES

This appliance is intended for household use.

1. Read this instruction manual and the charger instruction manual carefully before use.
2. Do not pick up the following materials:
  - Hot materials such as lit cigarettes or spark/metal dust generated by grinding/cutting metal
  - Flammable materials such as gasoline, thinner, benzine, kerosene or paint
  - Explosive materials like nitroglycerin
  - Ignitable materials such as Aluminum, zinc, magnesium, titanium, phosphorus or celluloid
  - Wet dirt, water, oil or the like
  - Hard pieces with sharp edges, such as wood chips, metals, stones, glasses, nails, pins or razors
  - Powder to clot such as cement or toner
  - Conductive dust such as metal or carbon
  - Fine particle like concrete dust

Such action may cause fire, injury and/or property damage.
3. Stop operation immediately if you notice anything abnormal.
4. If you drop or strike the cleaner, check it carefully for cracks or damage before operation.
5. Do not bring close to stoves or other heat sources.
6. Do not block the intake hole or vent holes.

## SAVE THESE INSTRUCTIONS.

### Important safety instructions for battery cartridge

1. Before using battery cartridge, read all instructions and cautionary markings on (1) battery charger, (2) battery, and (3) product using battery.

## SAVE THESE INSTRUCTIONS.

**⚠ CAUTION:** Only use genuine Makita batteries. Use of non-genuine Makita batteries, or batteries that have been altered, may result in the battery bursting causing fires, personal injury and damage. It will also void the Makita warranty for the Makita tool and charger.

## Tips for maintaining maximum battery life

1. Charge the battery cartridge before completely discharged. Always stop tool operation and charge the battery cartridge when you notice less tool power.
2. Never recharge a fully charged battery cartridge. Overcharging shortens the battery service life.
3. Charge the battery cartridge with room temperature at 10 °C - 40 °C (50 °F - 104 °F). Let a hot battery cartridge cool down before charging it.

## FUNCTIONAL DESCRIPTION

**⚠ CAUTION:** Always be sure that the tool is switched off and the battery cartridge is removed before adjusting or checking function on the tool.

**⚠ CAUTION:** Take care not to trap finger(s) between cleaner and battery as shown in diagram when loading battery. Trapping finger(s) may cause injury.

► Fig.1

## Installing or removing battery cartridge

**⚠ CAUTION:** Always switch off the tool before installing or removing of the battery cartridge.

**⚠ CAUTION:** Hold the tool and the battery cartridge firmly when installing or removing battery cartridge. Failure to hold the tool and the battery cartridge firmly may cause them to slip off your hands and result in damage to the tool and battery cartridge and a personal injury.

► Fig.2: 1. Red indicator 2. Button 3. Battery cartridge

To remove the battery cartridge, slide it from the tool while sliding the button on the front of the cartridge.

To install the battery cartridge, align the tongue on the battery cartridge with the groove in the housing and slip it into place. Insert it all the way until it locks in place with a little click. If you can see the red indicator on the upper side of the button, it is not locked completely.

**⚠ CAUTION:** Always install the battery cartridge fully until the red indicator cannot be seen. If not, it may accidentally fall out of the tool, causing injury to you or someone around you.

**⚠ CAUTION:** Do not install the battery cartridge forcibly. If the cartridge does not slide in easily, it is not being inserted correctly.

## Battery protection system

The tool is equipped with a battery protection system. This system automatically cuts off power to the motor to extend battery life.

The tool will automatically stop during operation if the tool and/or battery are placed under the following condition:

### Low battery voltage:

The remaining battery capacity is too low and the tool will not operate. If you turn the tool on, the motor runs again but stops soon. In this situation, remove and recharge the battery.

## Indicating the remaining battery capacity

*Only for battery cartridges with the indicator*

► Fig.3: 1. Indicator lamps 2. Check button

Press the check button on the battery cartridge to indicate the remaining battery capacity. The indicator lamps light up for few seconds.

Indicator lamps		Remaining capacity
Lighted	Off	
■ ■ ■ ■	□	75% to 100%
■ ■ ■ □	□	50% to 75%
■ ■ □ □	□ □	25% to 50%
■ □ □ □	□ □ □ □	0% to 25%

**NOTE:** Depending on the conditions of use and the ambient temperature, the indication may differ slightly from the actual capacity.

## Switch action

**⚠ CAUTION:** Before installing the battery cartridge into the tool, always check to see that the switch trigger actuates properly and returns to the "OFF" position when released.

To start the tool, simply pull the switch trigger. Release the switch trigger to stop.

► Fig.4: 1. Switch trigger

## Lighting up the lamp

**⚠ CAUTION:** Do not look in the light or see the source of light directly.

To turn on the lamp, pull the switch trigger. During the tool actuating, the lamp turns on.

Release the switch to turn off the lamp.

► Fig.5: 1. Lamp 2. Switch trigger

## ASSEMBLY

**⚠ CAUTION:** Always be sure that the tool is switched off and the battery cartridge is removed before carrying out any work on the tool.

## Disposing of dust

**⚠ CAUTION:** Empty the cleaner before it becomes too full, or the suction force weakens.

**⚠ CAUTION:** Be sure to empty the inside of the cleaner itself of dust. Failure to do so may cause the filter to be clogged or the motor to be damaged.

In order to drop dust sticking on the filter in the capsule, tap the capsule 4 or 5 times with your hand.

► **Fig.6:** 1. Capsule 2. Suction inlet

Point the suction inlet downwards, turn the capsule in direction of the arrow as illustrated, and disconnect the capsule slowly and straight.

► **Fig.7:** 1. Capsule 2. Suction inlet

**NOTE:** Be sure to set a garbage bag beneath the capsule, as dust may spill out when the capsule is opened.

Remove accumulated dust from inside of the capsule and off of the prefilter.

► **Fig.8:** 1. Prefilter 2. Capsule

Twist the prefilter in direction of the arrow to unfasten the securing lip from the cleaner unit and then pull off the prefilter.

► **Fig.9:** 1. Prefilter 2. Securing lip

Clean out fine dust from the prefilter. And then, pull off the filter and lightly tap it to remove dust.

► **Fig.10:** 1. Filter 2. Prefilter

## Reassembly

Put on the filter fully in position on the cleaner unit.

► **Fig.11:** 1. Filter

**NOTICE:** Make sure the filter is put on straight without being peeled back. If the filter is put on incorrectly as illustrated, dust will get into the motor housing, and cause a motor failure.

► **Fig.12:** 1. Filter

Install the prefilter. At this time, make sure to twist the prefilter so that the securing lip is firmly locked in the cleaner unit.

► **Fig.13:** 1. Prefilter 2. Securing lip

► **Fig.14**

Install the capsule. Align the mark on the capsule with the mark near the handle and then firmly twist the capsule in direction of the arrow until it is secured.

► **Fig.15:** 1. Capsule 2. Handle 3. Mark

**NOTE:** Always remove dust ahead of time, as the suction power will be reduced if there is too much dust in the cleaner.

**NOTICE:** Always be sure to check that both the filter and prefilter are loaded correctly prior to using the cleaner. If they are not loaded correctly, dust will get into the motor housing, and cause a motor failure. If the following examples occur, the filter and prefilter are not loaded correctly. Reload them correctly to rectify problem.

## Problem Examples

Example 1: Only the prefilter has been loaded (no filter)

► **Fig.16:** 1. Prefilter

Example 2: Only the filter has been loaded (no prefilter)

► **Fig.17:** 1. Filter

Example 3: The filter has been loaded in a peeled back state

► **Fig.18:** 1. Filter

Example 4: The securing lip on the prefilter is not firmly locked in the groove of cleaner housing

► **Fig.19:** 1. Securing lip 2. Prefilter 3. Groove of cleaner housing

## OPERATION

**⚠ CAUTION:** To connect attachments, such as nozzle, twist and insert the attachment in direction of the arrow to secure the connection during use. To disconnect the attachments, twist and extract it also in direction of the arrow. If an attachment is twisted in the opposite direction when being connected or disconnected, the capsule may become loose.

► **Fig.20:** 1. Capsule

## Cleaning (Suction)

### Nozzle

Attach the nozzle to clean off tables, desks, furniture, etc. The nozzle slips on easily.

► **Fig.21:** 1. Nozzle

### Nozzle + Extension wand (Straight pipe)

The extension wand fits in between the nozzle and the cleaner itself. This arrangement is convenient for cleaning a floor in a standing position.

► **Fig.22:** 1. Cleaner body 2. Extension wand  
3. Nozzle

### Corner nozzle

Fit on the corner nozzle for cleaning corners and crevices of a car or furniture.

► **Fig.23:** 1. Corner nozzle 2. Cleaner body

### Corner nozzle +Extension wand (Straight pipe)

In tight quarters where the cleaner itself cannot squeeze in, or in high places hard to reach, use this arrangement.

► **Fig.24:** 1. Corner nozzle 2. Extension wand  
3. Cleaner body

### Cleaning without nozzle

You can pick up powder and dust without nozzle.

► **Fig.25**

# MAINTENANCE

**⚠ CAUTION:** Always be sure that the tool is switched off and the battery cartridge is removed before attempting to perform inspection or maintenance.

**NOTICE:** Never use gasoline, benzine, thinner, alcohol or the like. Discoloration, deformation or cracks may result.

## After use

**NOTICE:** Putting the cleaner against the wall without any other support cause the cleaner to fall down and be damaged.

► Fig.26

## Cleaning

From time to time wipe off the outside (cleaner body) of the cleaner using a cloth dampened in soapy water. Clean out also the suction opening, dust bag/paper filter mounting area and the dust stopper.

► Fig.27

Wash the filter in soapy water when it is clogged with dust and the cleaner power becomes weak. Dry it out thoroughly before use. An insufficiently dried filter may cause poor suction and shorten the service life of the motor.

► Fig.28

## Troubleshooting

Before asking for repairs, check the following points.

Symptom	Area to be investigated	Fixing method
Weak suction power	Is the capsule full of dust?	Empty the capsule of dust.
	Is filter the clogged?	Clean or wash the filter.
	Is the battery cartridge exhausted ?	Charge the battery cartridge.
Not working	Is the battery cartridge exhausted ?	Charge the battery cartridge.

**⚠ CAUTION:** Do not attempt to repair the cleaner by yourself.

To maintain product SAFETY and RELIABILITY, repairs, any other maintenance or adjustment should be performed by Makita Authorized or Factory Service Centers, always using Makita replacement parts.

## OPTIONAL ACCESSORIES

**⚠ CAUTION:** These accessories or attachments are recommended for use with your Makita tool specified in this manual. The use of any other accessories or attachments might present a risk of injury to persons. Only use accessory or attachment for its stated purpose.

If you need any assistance for more details regarding these accessories, ask your local Makita Service Center.

- Extension wand (Straight pipe)
- Nozzle
- Nozzle for carpet
- Shelf brush
- Corner nozzle
- Round brush
- Flexible hose
- Filter
- Prefilter
- Makita genuine battery and charger

**NOTE:** Some items in the list may be included in the tool package as standard accessories. They may differ from country to country.

## VARNING

Denna maskin kan användas av barn från 8 års ålder och äldre samt personer med nedsatt fysisk, sensorisk eller mental kapacitet eller brist på erfarenhet och kunskap förutsatt att de har fått handledning eller instruktioner om hur maskinen används på rätt sätt och förstår riskerna som det medför. Barn ska inte leka med maskinen. Rengöring och användarunderhåll ska inte utföras av barn utan tillsyn.

## SPECIFIKATIONER

Modell:	CL106FD	
Kapacitet	600 mL	
Kontinuerlig användning (med batteri BL1015)	Ca 16 min	
Total längd	958 mm	
Märkspänning	10,8 V likström	
Batterikassett	BL 1015, BL 1020B	BL 1040B
Nettovikt	1,0 kg	1,1 kg

- På grund av vårt pågående program för forskning och utveckling kan dessa specifikationer ändras utan föregående meddelande.
- Specifikationer och batterikassett kan variera mellan olika länder.
- Vikt, med batterikassett, i enlighet med EPTA-procedure 01/2003

## Symboler

Följande visar symbolerna som används för utrustningen. Se till att du förstår innebörden innan du använder bormaskinen.



Läs igenom bruksanvisningen.



Gäller endast EU-länder  
Elektrisk utrustning eller batteripaket får inte kastas i hushållsavfallet! Enligt EU-direktiven som avser förbrukad elektrisk och elektronisk utrustning, batterier, ackumulatörer, förbrukade batterier och ackumulatörer, samt direktivens tillämpning enligt nationell lagstiftning, ska uttjänt elektrisk utrustning, batterier och batteripaket sorteras separat och lämnas till miljövänlig återvinning.

## Avsedd användning

Det här redskapet är avsett för insamling av torrt damm.

## SÄKERHETSVARNINGAR

### Säkerhetsvarningar för sladdlös dammsugare

**⚠ VARNING: VIKTIGT! LÄS NOGGRANT igenom alla säkerhetsvarningar och anvisningar FÖRE ANVÄNDNING.** Underlåtenhet att följa varningar och instruktioner kan leda till elstöt, brand och/eller allvarliga personskador.

1. Utsätt inte för regn. Förvara maskinen inomhus.
2. Tillåt inte att den används som en leksak. Stor uppmärksamhet är nödvändigt när den används i barns närhet.
3. Använd den endast enligt beskrivningen i bruksanvisningen. Använd endast tillverkarens rekommenderade tillsatser.
4. Använd inte maskinen med ett skadat batteri. Om maskinen inte arbetar som den ska, har tappats i marken, skadats, lämnats utomhus eller hamnat i vatten ska den skickas till servicecentret.
5. Var inte blöt om händerna när du handskas med maskinen.

6. Placera inte något föremål i öppningarna. Använd inte dammsugaren om någon av öppningarna är blockerade och håll den ren från damm, trådar, hår samt allt som kan minska luftflödet.
7. Håll hår, löst sittande kläder, fingrar och alla kroppsdelar bort från öppningar och rörliga delar.
8. Stäng av alla kontroller innan batteriet tas bort.
9. Var extra försiktig vid rengöring av trappor.
10. Använd inte maskinen för att plocka upp brännbara eller lättantändliga vätskor, såsom bensin, eller använd inte maskinen på platser där sådana vätskor förvaras.
11. Använd endast den laddare som tillverkaren har skickat med för att ladda batteriet.
12. Plocka inte upp något som brinner eller glöder, såsom cigaretter, tändstickor eller glödande aska.
13. Använd inte utan dammpåse och/eller filtren monterade på plats.
14. Ladda inte batteriet utomhus.
15. Ladda endast med den batteriladdare som angetts av tillverkaren. En laddare som passar en viss typ av batterier kan skapa risk för brand när den används tillsammans med annat batteri.
16. Använd endast maskiner tillsammans med tillhörande batterier. Om andra batterier används kan risken för personskada och brand öka.
17. När batteriet inte används bör det hållas borta från andra metallföremål så som gem, mynt, nycklar, spik, skruv eller andra små metallföremål som kan skapa en anslutning mellan batteripolerna.
18. Under hårda förhållande kan det komma vätska ur batteriet. Undvik kontakt. Spola med vatten om kontakt ändå råkar uppstå.

## SPARA DESSA ANVISNINGAR.

### YTTERLIGARE SÄKERHETSANVISNINGAR

Denna maskin är avsedd för att användas i hushåll.

1. Läs denna bruksanvisning och laddarens bruksanvisning noggrant innan du använder dammsugaren.
2. Plocka inte upp följande material:
  - Varmt material som tända cigaretter eller gnist-/metaldamm som skapas när man slipar/sågar i metall
  - Lättantändliga material som bensin, thinner, fotogen eller färg
  - Explosivt material som nitroglycerin
  - Antändbart material såsom aluminium, zink, magnesium, titan, fosfor eller celluloid
  - Blöt smuts, vatten, olja eller liknande
  - Hårda bitar med vassa kanter som träflisor, metaller, stenar, glas, spikar, stift eller rakblad
  - Pulver som klumpar ihop sig såsom cement eller toner
  - Ledande damm som metall eller kol
  - Fina korn som betongdamm

Att göra detta kan orsaka brand, skada och/eller skada på egendom.

3. Stanna maskinen omedelbart om du lägger märke till något onormalt.
4. Om du tappat eller stött till dammsugaren, kontrollera att den inte har skadats innan du använder den.
5. Använd inte dammsugaren nära kaminer eller andra värmekällor.
6. Blockera inte intagshålet eller ventilationshålen.

## SPARA DESSA ANVISNINGAR.

### Viktiga säkerhetsanvisningar för batterikassetten

1. Innan batterikassetten används ska alla instruktioner och varningsmärken på (1) batteriladdaren, (2) batteriet och (3) produkten läsas.
2. Montera inte isär batterikassetten.
3. Om drifttiden blivit avsevärt kortare ska användningen avbrytas omedelbart. Det kan uppstå överhettning, brännskador och t o m en explosion.
4. Om du får elektrolyt i ögonen ska de sköljas med rent vatten och läkare uppsöks omedelbart. Det finns risk för att synen förloras.
5. Kortslut inte batterikassetten.
  - (1) Rör inte vid polerna med något strömförande material.
  - (2) Undvik att förvara batterikassetten tillsammans med andra metallobjekt som t.ex. spikar, mynt o.s.v.
  - (3) Skydda batteriet mot vatten och regn. En batterikortslutning kan orsaka ett stort strömflöde, överhettning, brand och maskinhaveri.
6. Förvara inte maskinen och batterikassetten på platser där temperaturen kan nå eller överstiga 50 °C.
7. Bränn inte upp batterikassetten även om den är svårt skadad eller helt utsliten. Batterikassetten kan explodera i öppen eld.
8. Var försiktig så att du inte råkar tappa batteriet och utsätt det inte för stöt.
9. Använd inte ett skadat batteri.
10. De medföljande litiumjonbatterierna är föremål för kraven i gällande lagstiftning för farligt gods. För kommersiella transporter (av t.ex. tredje parter som speditorsfirmor) måste de särskilda transportkrav som anges på emballaget och etiketter iakttagas. För att förbereda den produkt som ska avsändas krävs att du konsulterar en expert på riskmaterial. Var också uppmärksam på att det i ditt land kan finnas ytterligare föreskrifter att följa. Tejpa över eller maskera blottade kontakter och packa batteriet på sådant sätt att det inte kan röra sig fritt i förpackningen.
11. Följ lokala föreskrifter beträffande avfallshandling av batteriet.

## SPARA DESSA ANVISNINGAR.

**⚠ FÖRSIKTIGT:** Använda endast äkta Makita-batterier. Användning av oäkta Makita-batterier eller batterier som har manipulerats kan leda till person- och utrustningsskador eller till att batteriet fattar eld. Det upphäver också Makitas garanti för verktyget och laddaren.

## Tips för att uppnå batteriets maximala livslängd

1. Ladda batterikassetten innan den är helt urladdad. Stanna alltid maskinen och ladda batterikassetten när du märker att maskinen blir svagare.
2. Ladda aldrig en fulladdad batterikassett. Överladdning förkortar batteriets livslängd.
3. Ladda batterikassetten vid en rumstemperatur på 10 °C - 40 °C. Låt en varm batterikassett svalna innan den laddas.

## FUNKTIONSBESKRIVNING

**⚠ FÖRSIKTIGT:** Se alltid till att maskinen är avstängd och batterikassetten borttagen innan du justerar maskinen eller kontrollerar dess funktioner.

**⚠ FÖRSIKTIGT:** Var försiktig så att du inte fastnar med fingret/fingrarna mellan dammsugaren och batteriet, såsom visas på bilden, när batteriet ska laddas. Det kan orsaka skada.

► Fig. 1

## Montera eller demontera batterikassetten

**⚠ FÖRSIKTIGT:** Stäng alltid av maskinen innan du monterar eller tar bort batterikassetten.

**⚠ FÖRSIKTIGT:** Håll stadigt i maskinen och batterikassetten när du monterar eller tar bort batterikassetten. I annat fall kan det leda till att de glider ur dina händer och orsakar skada på maskinen och batterikassetten samt personskada.

► Fig. 2: 1. Röd indikator 2. Knapp 3. Batterikassett

Ta bort batterikassetten genom att skjuta ner knappen på kassetten framsida samtidigt som du drar ut batterikassetten.

Sätt i batterikassetten genom att rikta in tungan på batterikassetten mot spåret i höljet och skjut den på plats. Tryck in batterikassetten ordentligt tills den låser fast med ett klick. Om du kan se den röda indikatorn på knappens ovansida är den inte låst ordentligt.

**⚠ FÖRSIKTIGT:** Sätt alltid i batterikassetten helt tills den röda indikatorn inte längre syns. I annat fall kan den oväntat falla ur maskinen och skada dig eller någon annan.

**⚠ FÖRSIKTIGT:** Monterar inte batterikassetten med våld. Om kassetten inte lätt glider på plats är den felinsatt.

## Skyddssystem för batteri

Maskinen är utrustad med ett batteriskyddssystem. Detta system bryter automatiskt strömmen till motorn för att förlänga batteriets livslängd. Maskinen stoppar automatiskt under pågående användning om maskinen och/eller batteriet utsätts för följande situation:

**Batterispänningen faller:**









Den kvarvarande batterikapaciteten är för låg och maskinen fungerar inte. Om du trycker in avtryckaren går motorn igång men stannar snart igen. I detta läge tar du bort batteriet och laddar det.

## Indikerar kvarvarande batterikapacitet

**Endast för batterikassetter med indikator**

► Fig. 3: 1. Indikatorlampor 2. Kontrollknapp

Tryck på kontrollknappen på batterikassetten för att se kvarvarande batterikapacitet. Indikatorlamporna lyser i ett par sekunder.

Indikatorlampor		Återstående kapacitet
Upplyst	Av	
		75% till 100%
		50% till 75%
		25% till 50%
		0% till 25%

**OBS:** Beroende på användningsförhållanden och den omgivande temperaturen kan indikationen skilja sig lätt från den faktiska batterikapaciteten.

## Avtryckarens funktion

**⚠ FÖRSIKTIGT:** Innan du sätter i batterikassetten i maskinen ska du kontrollera att avtryckaren fungerar och återgår till läget "OFF" när du släpper den.

Det är bara att trycka in avtryckaren när du vill starta maskinen. Släpp avtryckaren för att stoppa maskinen.

► Fig. 4: 1. Avtryckare

## Tända lampan

**⚠ FÖRSIKTIGT:** Titta inte in i ljuset eller direkt i ljuskällan.

För att tända lampan trycker du in avtryckaren. När maskinen är aktiverad lyser lampan. Släpp därefter avtryckaren för att släcka lampan.

► Fig. 5: 1. Lampa 2. Avtryckare

# MONTERING

**⚠ FÖRSIKTIGT:** Se alltid till att maskinen är avstängd och batterikassetten borttagen innan du underhåller maskinen.

## Borttagning av damm

**⚠ FÖRSIKTIGT:** Töm dammsugaren innan den blir för full, annars försvagas sugstyrkan.

**⚠ FÖRSIKTIGT:** Se till att tömma dammsugarens insida från damm. I annat fall kan filtret bli igensatt eller motorn skadas.

Knacka på behållaren 4 till 5 gånger med handen så att dammen som fastnat i filtret lossnar.

► **Fig.6:** 1. Behållare 2. Sugöppning

Placera sugöppningen nedåt och vrid behållaren i pilens riktning enligt bilden, och ta loss den sakta och rakt.

► **Fig.7:** 1. Behållare 2. Sugöppning

**OBS:** Se till att ha en soppåse under behållaren eftersom damm kan ramla ut när den öppnas.

Ta bort ansamlat damm från insidan av behållaren och från förfiltret.

► **Fig.8:** 1. Förfilter 2. Behållare

Vrid förfiltret i pilens riktning för att lossa fästkanten från dammsugarenheten och dra sedan av förfiltret.

► **Fig.9:** 1. Förfilter 2. Fästkant

Ta bort fint damm från förfiltret. Dra därefter ut filtret och knacka lätt för att ta bort damm.

► **Fig.10:** 1. Filter 2. Förfilter

## Återmontering

Sätt tillbaka filtret tills det sitter rätt placerat på dammsugarenheten.

► **Fig.11:** 1. Filter

**OBSERVERA:** Kontrollera så att filtret är rakt placerat. Om filtret inte är korrekt isatt enligt bilden kommer damm att tränga in i motorhuset och orsaka motorstopp.

► **Fig.12:** 1. Filter

Montering av förfilter. Se nu till att förfiltret vrids på så att fästkanten låser fast ordentligt på dammsugarenheten.

► **Fig.13:** 1. Förfilter 2. Fästkant

► **Fig.14**

Montering av behållare. Rikta in märket på behållaren efter märket jämte handtaget och vrid sedan behållaren stadigt i pilens riktning tills den fäster.

► **Fig.15:** 1. Behållare 2. Handtag 3. Märke

**OBS:** Ta alltid bort damm i god tid eftersom sugförmågan kommer att minska om det finns för mycket damm i dammsugaren.

**OBSERVERA:** Kontrollera alltid att både filtret och förfiltret är korrekt anslutna innan dammsugaren används. Om så inte är fallet kommer damm att tränga in i motorhuset och orsaka motorstopp. Om följande exempel uppstår är inte filtret och förfiltret korrekt anslutna. Anslut dem rätt för att korrigera problemet.

## Problemexempel

Exempel 1: Endast förfiltret har anslutits (inget filter)

► **Fig.16:** 1. Förfilter

Exempel 2: Endast filtret har anslutits (inget förfilter)

► **Fig.17:** 1. Filter

Exempel 3: Filtret har anslutits i ett felaktigt läge

► **Fig.18:** 1. Filter

Exempel 4: Förfiltrets fästkant är inte ordentligt fäst på spåret på dammsugarhuset

► **Fig.19:** 1. Fästkant 2. Förfilter 3. Spår på dammsugarhus

# ANVÄNDNING

**⚠ FÖRSIKTIGT:** För att ansluta tillbehör, såsom munstycke, ska tillbehöret vridas och tryckas på i pilens riktning så att det sitter säkert anslutet under användningen. För att ta bort tillbehöret ska tillbehöret vridas och dras loss i pilens riktning. Om tillbehöret vrids i motsatt riktning när det ansluts eller tas bort kan behållaren lossna.

► **Fig.20:** 1. Behållare

## Dammsugning

### Munstycke

Använd munstycket när du ska dammsuga bord, bänkar, möbler o.dyl. Munstycket skjuts på enkelt.

► **Fig.21:** 1. Munstycke

### Munstycke + förlängningsrör (rakt rör)

Förlängningsröret sätts mellan munstycket och själva dammsugaren. Med detta arrangemang kan du dammsuga bekvämt i upprätt läge.

► **Fig.22:** 1. Dammsugarkropp 2. Förlängningsrör 3. Munstycke

### Hörnmunstycke

Sätt på hörnmunstycket när du ska dammsuga hörn och springor i bilsäten.

► **Fig.23:** 1. Hörnmunstycke 2. Dammsugarkropp

### Hörnmunstycke + förlängningsrör (rakt rör)

Använd detta arrangemang i trånga utrymmen där inte själva dammsugaren får plats eller på höga höjder som är svåra att nå.

- **Fig.24:** 1. Hörnmunstycke 2. Förlängningsrör  
3. Dammsugarkropp

## Dammsugning utan munstycke

Du kan suga upp pulver och damm utan att använda munstycket.

- **Fig.25**

## UNDERHÅLL

**⚠ FÖRSIKTIGT:** Se alltid till att maskinen är avstängd och batterikassetten borttagen innan inspektion eller underhåll utförs.

**OBSERVERA:** Använd inte bensin, förtunningsmedel, alkohol eller liknande. Missfärgning, deformation eller sprickor kan uppstå.

## Efter användning

**OBSERVERA:** Om du lutar dammsugaren mot väggen utan annat stöd kan den falla ner och skadas.

- **Fig.26**

## Rengöring

Torka regelbundet av dammsugarens utsida med en trasa fuktad i tvålatten. Rengör även sugöppningen, dammstoppet och facket för dammpåse/pappersfilter.

- **Fig.27**

Tvätta filtret i tvålatten när det är igensatt av damm och sugstyrkan avtagit. Torka den ordentligt innan användning. Ett filter som inte är helt torrt kan orsaka dålig sugförmåga och förkorta motorns livslängd.

- **Fig.28**

## Felsökning

Kontrollera följande punkter innan du kontaktar service.

Symptom	Område att kontrollera	Åtgärdsmetod
Svag sugförmåga	Är behållaren full av damm?	Töm behållaren på damm.
	Är filtret igensatt?	Gör rent eller tvätta filtret.
	Är batterikassetten tom?	Ladda batterikassetten.
Fungerar inte	Är batterikassetten tom?	Ladda batterikassetten.

**⚠ FÖRSIKTIGT:** Reparera inte dammsugaren på eget bevåg.

För att upprätthålla produktens SÄKERHET och TILLFÖRLITLIGHET bör allt underhålls- och justeringsarbete utföras av ett auktoriserat Makita servicecenter och med reservdelar från Makita.

## VALFRIA TILLBEHÖR

**⚠ FÖRSIKTIGT:** Följande tillbehör eller tillsatser rekommenderas för användning med den Makita-maskin som denna bruksanvisning avser. Om andra tillbehör eller tillsatser används kan det uppstå risk för personsador. Använd endast tillbehören eller tillsatserna för de syften de är avsedda för.

Kontakta ditt lokala Makita servicecenter om du behöver ytterligare information om dessa tillbehör.

- Förlängningsrör (rakt rör)
- Munstycke
- Mattmunstycke
- Hyllborste
- Hörnmunstycke
- Rund borste
- Flexibel slang
- Filter
- Förfilter
- Makitas originalbatteri och -laddare

**OBS:** Några av tillbehören i listan kan vara inkluderade i maskinpaketet som standardtillbehör. De kan variera mellan olika länder.

## ADVARSEL

Dette apparatet kan brukes av barn fra 8 år og oppover og av personer med reduserte fysiske, sensoriske eller mentale evner eller mangel på erfaring og kunnskap, såfremt de holdes under oppsyn, har blitt gitt instruksjoner om sikker bruk av apparatet og forstår farene som er involvert. Barn skal ikke leke med apparatet. Rengjøring og brukervedlikehold skal ikke utføres av barn uten oppsyn.

## TEKNISKE DATA

Modell:	CL106FD	
Kapasitet	600 mL	
Kontinuerlig bruk (med batteri BL1015)	Ca. 16 min	
Total lengde	958 mm	
Nominell spenning	DC 10,8 V	
Batteriinnsets	BL1015, BL1020B	BL1040B
Nettovekt	1,0 kg	1,1 kg

- På grunn av vårt kontinuerlige forsknings- og utviklingsprogram kan spesifikasjonene som oppgis i dette dokumentet endres uten varsel.
- Spesifikasjoner og batteriinnsets kan variere fra land til land.
- Vekt, med batteriinnsets, i henhold til EPTA-prosedyre 01/2003

## Symboler

Nedenfor ser du symbolene som brukes for dette utstyret. Forviss deg om at du forstår hva de betyr, før du begynner å bruke maskinen.



Les bruksanvisningen.



Kun for land i EU  
Kast aldri elektroutstyr eller batteripakker i husholdningsavfallet! I henhold til EU-direktivene om kasserte elektriske og elektroniske produkter og om batterier og akkumulatører og direktivenes iverksetting i nasjonal rett, må elektriske produkter og batterier og batteripakker som ikke lenger skal brukes, samles separat og returneres til et miljøvennlig gjenvinningsanlegg.

## Riktig bruk

Innretningen er laget for å samle opp tørt støv.

## SIKKERHETSADVARSEL

### Sikkerhetsadvarsler for trådløs støvsuger

**ADVARSEL: VIKTIG. LES NØYE alle sikkerhetsadvarsler og instruksjoner FØR BRUK.** Hvis du ikke følger alle advarslene og instruksjonene som er oppført nedenfor, kan det føre til elektriske støt, brann og/eller alvorlige helseskader.

1. **Må ikke utsettes for regn. Oppbevares innendørs.**
2. **Ikke bruk støvsugeren som leketøy. Vær ekstra oppmerksom når den brukes nær barn.**
3. **Bruk støvsugeren kun som beskrevet i denne håndboken. Bruk kun tilbehør som er anbefalt av produsenten.**
4. **Må ikke brukes med skadet batteri. Hvis innretningen ikke virker som den skal, er blitt mistet i bakken, ødelagt, gjenglemte utendørs eller mistet i vann, må du levere den inn til et serviceverksted.**
5. **Ikke håndter innretningen med våte hender.**
6. **Ikke putt gjenstander inn i åpningene. Ikke bruk støvsugeren hvis noen av åpningene er blokkert. Hold den fri for støv, lo, hår og annet som kan redusere luftstrømmen.**

7. Hold hår, løstsittende klær, fingrene og alle kroppsdeler unna åpninger og bevegelige deler.
8. Slå av alle kontroller før du tar ut batteriet.
9. Vær ekstra forsiktig ved rengjøring av trapper.
10. Må ikke brukes til å ta opp brennbare eller eksplosive væsker som bensin, og må heller ikke brukes i områder der disse kan forekomme.
11. Lading må kun foregå med laderen som fulgte med fra produsenten.
12. Ikke plukk opp noe som brenner eller ryker, som sigaretter, fyrstikker eller varm aske.
13. Må ikke brukes uten at støvpose og/eller filtre er på plass.
14. Ikke lad batteriet utendørs.
15. Batteriet må kun lades opp igjen med en lader spesifisert av produsenten. En lader som passer til én batteritype, kan være brannfarlig når den brukes med en annen batteritype.
16. Elektroværktøy skal kun brukes med spesifikt angitte batterier. Hvis det brukes et hvilket som helst annet batteri, kan dette utgjøre en fare for personskader og brann.
17. Når batteripakken ikke er i bruk, bør du holde den unna metallgjenstander som binders, mynter, nøkler, spiker, skruer og andre små metallgjenstander som kan skape forbindelse mellom én pol og en annen.
18. Hvis batteriet utsettes for hardhendt bruk, kan det lekke væske fra batteriet. Unngå kontakt med væsken. Hvis du kommer i kontakt med batterivæsken, må du skylle med vann.

## TA VARE PÅ DISSE INSTRUKSJONENE.

### YTTERLIGERE SIKKERHETSREGLER

Denne innretningen er beregnet på å brukes i husholdningen.

1. Les grundig gjennom denne bruksanvisningen og bruksanvisningen for laderen før bruk.
2. Ikke plukk opp følgende materialer:
  - Varmer materialer som påtente sigaretter eller gnister/metallstøv fra sliping/kutting av metall
  - Brennbare materialer som bensin, tynner, lettbensin, parafin eller maling
  - Eksplosive materialer som nitroglyserin
  - Antennelige materialer som aluminium, sink, magnesium, titan, fosfor eller celluloid
  - Fuktig smuss, vann, olje eller lignende
  - Harde gjenstander med skarpe kanter som treflisser, metaller, steiner, glass, spiker, nåler eller barberblader
  - Pulver som kan stivne som sement eller toner
  - Elektrisk ledende støv fra metall eller karbon
  - Fine partikler som betongstøv

Slike handlinger kan forårsake brann, personskader og/eller materielle skader.

3. Hvis du merker at noe er uvanlig, må du stanse arbeidet omgående.
4. Hvis du mister støvsugeren, eller kommer til å slå borti den, må du kontrollere den grundig med tanke på sprekker eller skader før bruk.
5. Ikke plasser innretningen nær ovner eller andre varmekilder.
6. Ikke blokker inntaksåpningen eller ventilasjonsåpningene.

## TA VARE PÅ DISSE INSTRUKSJONENE.

### Viktige sikkerhetsanvisninger for batteriinnsetts

1. Før du begynner å bruke batteriet, må du lese alle anvisninger og forsiktighetsregler på (1) batteriladeren, (2) batteriet og (3) det produktet batteriet skal brukes i.
2. Ikke ta fra hverandre batteriet.
3. Hvis driftstiden er blitt vesentlig kortere, må du omgående slutte å bruke maskinen. Hvis ikke kan resultatet bli overoppheting, mulige forbrenninger eller til og med en eksplosjon.
4. Hvis du får elektrolytt i øynene, må du skylle dem med store mengder rennende vann og oppsøke lege med én gang. Denne typen uhell kan føre til varig blindhet.
5. Ikke kortslett batteriet:
  - (1) De kan være ekstremt varme og du kan brenne deg.
  - (2) Ikke lagre batteriet i samme beholder som andre metallgjenstander, som for eksempel spiker, mynter osv.
  - (3) Ikke la batteriet komme i kontakt med vann eller regn.

En kortslutning av batteriet kan føre til et kraftig strømstøt, overoppheting, mulige forbrenninger og til og med til at batteriet går i stykker.

6. Ikke lagre maskinen og batteriet på steder hvor temperaturen kan komme opp i eller overskride 50 °C.
7. Ikke sett fyr på batteriet, ikke engang om det er sterkt skadet eller helt utslitt. Batteriet kan eksplodere hvis det begynner å brenne.
8. Vær forsiktig så du ikke mister batteriet eller utsetter det for slag.
9. Ikke bruk batterier som er skadet.
10. Lithium-ion-batteriener som medfølger er gjenstand for krav om spesialavfall. For kommersiell transport, f.eks av tredjeparter eller speditorer, må spesielle krav om pakking og merking følges. Før varen blir sendt, må du forhøre deg med en ekspert på farlig materiale. Ta også hensyn til muligheten for mer detaljerte nasjonale bestemmelser. Bruk teip eller maskeringsteip for å skjule åpne kontakter og pakk inn batteriet på en slik måte at den ikke kan bevege seg rundt i emballasjen.

11. Følg lokale bestemmelser for avhending av batterier.

## TA VARE PÅ DISSE INSTRUKSENE.

**⚠FORSIKTIG:** Bruk kun originale Makita-batterier. Bruk av batterier som har endret seg, eller som ikke er originale Makita-batterier, kan føre til at batteriet sprekker og forårsaker brann, personskader og andre skader. Det vil også ugyldiggjøre garantien for Makita-verktøyet og -laderen.

## Tips for å opprettholde maksimal batterilevetid

1. Lad batteriinnsetsen før den er helt utladet. Stopp alltid driften av verktøyet og lad batteriinnsetsen når du merker at effekten reduseres.
2. Lad aldri en batteriinnsets som er fulladet. Overopplading forkorter batteriets levetid.
3. Lad batteriet i romtemperatur ved 10 °C - 40 °C. Et varmt batteri må kjøles ned før lading.

## FUNKSJONSBEKRIVELSE

**⚠FORSIKTIG:** Forviss deg alltid om at maskinen er slått av og batteriet tatt ut før du justerer maskinen eller kontrollerer dens mekaniske funksjoner.

**⚠FORSIKTIG:** Vær forsiktig så du ikke klemmer fingeren/fingrene mellom støvsugeren og batteriet, som vist på tegningen, når du setter inn batteriet. Å få en eller flere fingre i klem kan medføre personskader.

► Fig.1

## Sette inn eller ta ut batteri

**⚠FORSIKTIG:** Slå alltid av verktøyet før du setter inn eller fjerner batteriet.

**⚠FORSIKTIG:** Hold verktøyet og batteripatronen i et fast grep når du monterer eller fjerner batteripatronen. Hvis du ikke holder verktøyet og batteripatronen godt fast, kan du miste grepet, og dette kan føre til skader på verktøyet og batteripatronen samt personskader.

► Fig.2: 1. Rød indikator 2. Knapp 3. Batteriinnsets

Før å ta ut batteriet må du skyve på knappen foran på batteriet og trekke det ut.

Når du skal sette inn batteriet, må du plassere tungen på batteriet på linje med sporet i huset og skyve batteriet på plass. Skyv det helt inn til det går i inngrep med et lite klikk. Hvis du kan se den røde anviseren på oversiden av knappen, er det ikke fullstendig låst.

**⚠FORSIKTIG:** Batteriet må alltid settes helt inn, så langt at den røde anviseren ikke lenger er synlig. Hvis dette ikke gjøres, kan batteriet komme til å falle ut av maskinen og skade deg eller andre som oppholder seg i nærheten.

**⚠FORSIKTIG:** Ikke bruk makt når du setter i batteriet. Hvis batteriet ikke glir lett inn, er det fordi det ikke settes inn på riktig måte.

## Batteribeskyttelsessystem

Verktøyer er utstyrt med et batterivernsystem. Dette systemet slår automatisk av strømmen til motoren for å forlenge batteriets levetid.

Verktøyet stopper automatisk under drift hvis det og/eller batteriet utsettes for følgende tilstand:

### Lav batterispenning:

Gjenværende batterikapasitet er for lav og verktøyet vil ikke fungere. Når du starter verktøyet, starter motoren, men den stopper like etterpå. I dette tilfellet, fjern og lad batteriet opp igjen.

## Indikere gjenværende batterikapasitet

Kun for batterier med indikatoren

► Fig.3: 1. Indikatorlamper 2. Kontrollknapp

Trykk på sjekk-knappen på batteriet for vise gjenværende batterikapasitet. Indikatorlampene lyser i et par sekunder.

Indikatorlamper		Gjenværende batterinivå
Tent	Av	
■ ■ ■ ■	□	75% til 100%
■ ■ ■ □	□	50% til 75%
■ ■ □ □	□	25% til 50%
■ □ □ □	□	0% til 25%

**MERK:** Det angitte nivået kan avvike noe fra den faktiske kapasiteten alt etter bruksforholdene og den omgivende temperaturen.

## Bryterfunksjon

**⚠FORSIKTIG:** Før du setter batteriet inn i maskinen, må du alltid kontrollere at startbryteren aktiverer maskinen på riktig måte og går tilbake til «AV»-stilling når den slippes.

Trekk i startbryteren for å starte innretningen. Slipp bryteren når du vil stanse innretningen.

► Fig.4: 1. Startbryter

## Tenne lampen

**⚠️ FORSIKTIG:** Ikke se inn i lyset eller se direkte på lyskilden.

Tenn lampen ved å trekke i startbryteren. Lampen slår seg på når innretningen aktiveres. Slipp bryteren når du vil slå av lampen.

► **Fig.5:** 1. Lampe 2. Startbryter

## MONTERING

**⚠️ FORSIKTIG:** Forviss deg alltid om at maskinen er slått av og batteriet tatt ut før du utfører noe arbeid på maskinen.

### Kassering av støv

**⚠️ FORSIKTIG:** Tøm støvsugeren før den blir for full, ellers reduseres sugekraften.

**⚠️ FORSIKTIG:** Pass på å tømme støv inni selve støvsugeren. Hvis du ikke gjør det, kan filteret tettes eller motoren ødelegges.

For å fjerne støv som sitter fast på filteret i kapselen, må du banke 4–5 ganger på kapselen med hånden.

► **Fig.6:** 1. Kapsel 2. Innsug

Rett innsuget nedover, drei kapselen i pilens retning som illustrert, og ta av kapselen sakte og rett frem.

► **Fig.7:** 1. Kapsel 2. Innsug

**MERK:** Støv kan falle ut når kapselen åpnes, så husk å plassere en søppelpose under kapselen.

Fjern oppsamlet støv fra innsiden av kapselen og fra forfilteret.

► **Fig.8:** 1. Forfilter 2. Kapsel

Vri forfilteret i pilens retning for å løse tetningsleppen fra støvsugerenheten, og trekk deretter forfilteret av.

► **Fig.9:** 1. Forfilter 2. Tetningsleppe

Fjern fint støv fra forfilteret. Dra deretter av filteret, og bank forsiktig for å fjerne støv.

► **Fig.10:** 1. Filter 2. Forfilter

### Sette sammen innretningen igjen

Sett på filteret til det er korrekt plassert på støvsugerenheten.

► **Fig.11:** 1. Filter

**OBS:** Pass på at filteret er satt rett på, uten å være brettet tilbake. Hvis filteret er satt på feil som illustrert, vil det komme støv inn i motorhuset, noe som vil føre til motorfeil.

► **Fig.12:** 1. Filter

Monter forfilteret. På dette tidspunktet må du passe på å vri forfilteret slik at tetningsleppen låses fast i støvsugerenheten.

► **Fig.13:** 1. Forfilter 2. Tetningsleppe

► **Fig.14**

Monter kapselen. Innrett merket på kapselen med merket på håndtaket, og vri deretter kapselen bestemt i pilens retning til den sitter som den skal.

► **Fig.15:** 1. Kapsel 2. Håndtak 3. Merke

**MERK:** Husk alltid på å fjerne støv før du blir nødt til det, da sugeeffekten vil bli redusert hvis det er for mye støv i støvsugeren.

**OBS:** Hver gang du skal bruke støvsugeren, må du passe på å kontrollere at både filteret og forfilteret er satt inn på riktig måte. Hvis de ikke er satt inn på riktig måte, vil det komme støv i motorhuset, noe som vil føre til motorfeil. Hvis følgende problemer oppstår, er filteret og forfilteret satt inn på feil måte. Sett dem inn på nytt for å løse problemet.

## Eksempler på problemer

Eksempel 1: Kun forfilteret er satt inn (ikke filteret)

► **Fig.16:** 1. Forfilter

Eksempel 2: Kun filteret er satt inn (ikke forfilteret)

► **Fig.17:** 1. Filter

Eksempel 3: Filteret er satt inn i tilbakebrettet tilstand

► **Fig.18:** 1. Filter

Eksempel 4: Forfilterets tetningsleppe sitter ikke godt fast i sporet i støvsugerhuset

► **Fig.19:** 1. Tetningsleppe 2. Forfilter 3. Spor i støvsugerhuset

## BRUK

**⚠️ FORSIKTIG:** For å koble til tilbehøret, for eksempel munnstykket, må du sette inn tilbehøret mens du vrir det i pilens retning for å sørge for at det sitter godt fast under bruk. Du kobler fra tilbehøret ved å vri og trekke det ut i pilens retning. Hvis et tilbehør vrir i feil retning når det skal kobles til eller fra, kan kapselen løsnes.

► **Fig.20:** 1. Kapsel

## Rengjøring (suging)

### Munnstykke

Fest munnstykket for å støvsuge bord, møbler, osv. Det er lett å sette på munnstykket.

► **Fig.21:** 1. Munnstykke

### Munnstykke + teleskoprør (rett rør)

Teleskoprøret passer inn mellom munnstykket og selve støvsugeren. Denne anordningen er praktisk når du vil gjøre rent på gulvet og samtidig stå oppreist.

► **Fig.22:** 1. Støvsugerhus 2. Teleskoprør 3. Munnstykke

### Hjørnemunnstykke

Sett på hjørnemunnstykket for rengjøring av hjørner og hulrom i en bil eller i møbler.

► **Fig.23:** 1. Hjørnemunnstykke 2. Støvsugerhus

## Hjørnemunnstykke + teleskoprør (rett rør)

På trange steder der støvsugeren selv ikke får plass, eller på steder som er høyt oppe og vanskelige å nå, bør du bruke denne anordningen.

- **Fig.24:** 1. Hjørnemunnstykke 2. Teleskoprør  
3. Støvsugerhus

## Støvsuge uten munnstykke

Du kan støvsuge pulver og støv uten munnstykke.

- **Fig.25**

## VEDLIKEHOLD

**⚠FORSIKTIG:** Forviss deg alltid om at maskinen er slått av og batteriet tatt ut før du foretar inspeksjon eller vedlikehold.

**OBS:** Aldri bruk gasolin, bensin, tynner alkohol eller lignende. Det kan føre til misfarging, deformering eller sprekkdannelse.

## Etter bruk

**OBS:** Hvis du plasserer støvsugeren mot en vegg uten annen støtte, kan støvsugeren velte og bli skadet.

- **Fig.26**

## Rengjøring

Fra tid til annen må du tørke av utsiden av støvsugeren (støvsugerhuset) med en klut fuktet i såpevann. Gjør også rent i sugeåpningen, monteringsområdet for støvpose/papirfilter og støvstopperen.

- **Fig.27**

Vask filteret i såpevann når det er tett av støv og sugeeffekten blir dårlig. Tørk det ordentlig før bruk. Et filter som ikke er skikkelig tørt kan føre til dårlig sugeeffekt og forforkete motorens levetid.

- **Fig.28**

## Feilsøking

Før du bestiller reparasjon, bør du kontrollere følgende punkter.

Symptom	Område som skal undersøkes	Løsning
Dårlig sugeeffekt	Er kapselen full av støv?	Tøm støvet i kapselen.
	Er filteret tett?	Rengjør eller vask filteret.
	Er batteriet tomt?	Lad batteriet.
Fungerer ikke	Er batteriet tomt?	Lad batteriet.

**⚠FORSIKTIG:** Ikke forsøk å reparere støvsugeren selv.

Før å opprettholde produktets SIKKERHET og PÅLITELIGHET, må reparasjoner, vedlikehold og justeringer utføres av autoriserte Makita servicesentre eller fabrikk-servicesentre, og det må alltid brukes reservedeler fra Makita.

## VALGFRITT TILBEHØR

**⚠FORSIKTIG:** Det anbefales at du bruker dette tilbehøret eller verktøyet sammen med den Makita-maskinen som er spesifisert i denne håndboken. Bruk av annet tilbehør eller verktøy kan forårsake personskader. Tilbehør og verktøy må kun brukes til det formålet det er beregnet på.

Ta kontakt med ditt lokale Makita-servicesenter hvis du trenger mer informasjon om dette tilbehøret.

- Teleskoprør (rett rør)
- Munnstykke
- Teppemunnstykke
- Hyllebørste
- Hjørnemunnstykke
- Rund børste
- Fleksibel slange
- Filter
- Forfilter
- Makita originalbatteri og lader

**MERK:** Enkelte elementer i listen kan være inkludert som standardtilbehør i verktøypakken. Elementene kan variere fra land til land.

## VAROITUS

Tätä laitetta voivat käyttää myös 8-vuotiaat tai sitä vanhemmat lapset sekä henkilöt, joiden fyysiset, sensoriset tai henkiset kyvyt ovat rajoittuneet tai joilla ei ole kokemusta tai tietoa laitteen käytöstä, jos he käyttävät laitetta valvotusti tai jos heille annetaan riittävät ohjeet laitteen käyttämiseksi turvallisella tavalla ja he ymmärtävät siihen liittyvät riskit. Lapset eivät saa leikkiä laitteella. Lapset eivät saa puhdistaa tai huoltaa laitetta ilman valvontaa.

## TEKNISET TIEDOT

Malli:	CL106FD	
Kapasiteetti	600 mL	
Jatkuva käyttö (akulla BL1015)	Noin 16 min	
Kokonaispituus	958 mm	
Nimellisjännite	DC 10,8 V	
Akkupaketti	BL 1015, BL 1020B	BL 1040B
Nettopaino	1,0 kg	1,1 kg

- Jatkuvasta tutkimus- ja kehitystyöstämme johtuen esitetyt tekniset tiedot saattavat muuttua ilman erillistä ilmoitusta.
- Tekniset tiedot ja akkupaketti voivat vaihdella maittain.
- Paino akkupaketilla, EPTA-menettelyn 01/2003 mukaan

## Symbolit

Laitteessa on käytetty seuraavia symboleja. Opettele niiden merkitys ennen käyttöä.



Lue käyttöohje.



Koskee vain EU-maita  
Älä hävitä sähkölaitteita tai akkuja tavallisen kotitalousjätteen mukana! Sähkö- ja elektroniikkalaiteromua koskevan EU-direktiivin ja paristoja ja akkuja sekä käytettyjä paristoja ja akkuja koskevan direktiivin ja niiden maakohtaisten sovellusten mukaisesti käytetyt sähkölaitteet ja akkupaketti (-paketit) on toimitettava ongelmajätteen keräyspisteeseen ja ohjattava ympäristöystävälliseen kierrätykseen.

## Käyttötarkoitus

Laitte on tarkoitettu kuivan pölyn imuroimiseen.

## TURVAVAROITUKSET

### Akkukäyttöisen pölynimurin turvallisuusohjeet

**VAROITUS: LUE HUOLELLISESTI kaikki turvavaroitukset ja käyttöohjeet ENNEN KÄYTTÖÄ.** Jos varoitusten ja ohjeiden noudattaminen laiminlyötiin, seurauksena voi olla sähköisku, tulipalo ja/tai vakava vammautuminen.

1. Älä altista laitetta sateelle. Säilytä laitetta sisätiloissa.
2. Älä anna lasten käyttää laitetta leluna. Noudata suurta varovaisuutta, jos annat lasten käyttää laitetta tai käytät laitetta lasten läsnäollessa.
3. Käytä laitetta vain tämän käyttöohjeen mukaisella tavalla. Käytä ainoastaan valmistajan suosittelemia lisävarusteita.
4. Älä käytä laitetta viallisen akun kanssa. Jos laite ei toimi asianmukaisesti tai se on pudonnut, vaurioitunut, jätetty ulos tai pudotettu veteen, toimita se huoltoon.
5. Älä käytä laitetta märin käsin.

6. Älä laita mitään kohteita laitteen aukkoihin. Älä käytä laitetta jos joku aukoista on tukossa: pidä aukot puhtaana pölystä, nukasta, hiuksista tai muusta, joka voi haitata ilman virtausta.
7. Pidä hiukset, vaatteet, sormet ja muut kehon osat kaukana laitteen aukoista ja liikkuvista osista.
8. Katkaise virta kaikista säätimistä ennen akun irrottamista.
9. Noudata suurta varovaisuutta portaiden imuroinnin aikana.
10. Älä käytä laitetta syttyvien tai palavien nesteiden, kuten bensiinin, keräämiseen. Älä myöskään käytä sitä tiloissa, joissa voi olla tällaisia nesteitä.
11. Käytä lataamiseen vain valmistajan toimittamaa laturia.
12. Älä kerää mitään palavaa tai savuavaa, kuten savukkeita, tulitikkuja tai kuumaa tuhkaa.
13. Älä käytä laitetta ilman pölypussia ja/tai suodattimia.
14. Älä lataa akkua ulkona.
15. Lataa akkua vain valmistajan määrittämällä laturilla. Tietyille akuille sopiva laturi voi aiheuttaa tulipalovaaran, jos sitä käytetään muuntyyppisen toisen akun kanssa.
16. Käytä sähkötyökaluja vain määritysten mukaisten akkujen kanssa. Muuntyyppisten akkujen käyttäminen voi aiheuttaa loukkaantumisia tai tulipalovaaran.
17. Kun akku ei ole käytössä, säilytä se erillään metalliesineistä, kuten paperiliittimistä, kolikoista, avaimista, nauloista, ruuveista ja muista pienistä metallikappaleista, jotka voivat yhdistää akun navat.
18. Akusta voi vuotaa nestettä, jos sitä käsitellään väärin. Vältä kosketusta. Jos nestettä pääsee iholle vahingossa, huuhtelee iho vedellä.

## SÄILYTÄ NÄMÄ OHJEET.

### LISÄTURVALLISUUSOHJEITA

Tämä laite on tarkoitettu kotikäyttöön.

1. Lue tämä käyttöohje sekä laturin käyttöohje huolellisesti ennen käyttöä.
2. Älä kerää seuraavia aineita:
  - Kuumia aineita, esimerkiksi palavia savukkeita tai metallin hiomisestä tai työstämisestä syntyneitä kipinöitä tai metallipölyä
  - Tulenarkoja aineita, esimerkiksi moottori- tai puhdistusbensiiniä, tinneriä, petrolia tai maalia
  - Räjähäviä aineita, esimerkiksi nitroglyseriiniä
  - Herkästi syttyviä aineita, kuten alumiinia, sinkkiä, magnesiumia, titaania, fosforia tai selluloidia
  - Märkää hiekkaa tai savea, vettä, öljyä tai vastaavia aineita
  - Kovia terävasärmäisiä esineitä, esimerkiksi puunsäleitä, metallinkappaleita, lasia, nautoja, nautoja ja partakoneentieriä
  - Paakkuuntuvia jauheita, esimerkiksi sementtiä tai väriaineita

- Sähköä johtavaa pölyä, esimerkiksi metalli- tai hiilipölyä
- Hienojakoisia aineita, esimerkiksi betonipölyä

Tämä voi aiheuttaa tulipalon sekä henkilö- ja/ tai omaisuusvahinkoja.

3. Lopeta käyttö heti, jos havaitset mitään epänormaalia.
4. Jos imuri kolhiintuu tai putoaa maahan, tarkasta, tuliko siihen vaurioita, ennen kuin käytät sitä.
5. Älä käytä imuria uunien tai muiden lämmönlähteiden läheisyydessä.
6. Älä tuki ilmanottoaukkoa tai tuuletusaukkoja.

## SÄILYTÄ NÄMÄ OHJEET.

### Akkupakettia koskevia tärkeitä turvaohjeita

1. Ennen akun käyttöönottoa tutustu kaikkiin laturissa (1), akussa (2) ja akkukäyttöisessä tuotteessa (3) oleviin varoitusteksteihin.
2. Älä pura akkua.
3. Jos akun toiminta-aika lyhenee merkittävästi, lopeta akun käyttö. Seurauksena voi olla ylikuumeneminen, palovammoja tai jopa räjähdys.
4. Jos akkunestettä pääsee silmiin, huuhtelee puhtaalla vedellä ja hakeudu välittömästi lääkärin hoitoon. Akkuneste voi aiheuttaa näön menetyksen.
5. Älä oikosulje akkua.
  - (1) Älä koske akun napoihin millään sähköä johtavalla materiaalilla.
  - (2) Vältä akun oikosulkemista äläkä säilytä akkua yhdessä muiden metalliesineiden, kuten nautojen, kolikoiden ja niin edelleen kanssa.
  - (3) Älä aseta akkua alttiiksi vedelle tai sateelle.
- Oikosulku voi aiheuttaa virtapiikin, ylikuumentumista, palovammoja tai laitteen rikkoontumisen.
6. Älä säilytä työkalua ja akkua paikassa, jossa lämpötila voi nousta 50 °C:een tai sitäkin korkeammaksi.
7. Älä hävitä akkua polttamalla, vaikka se olisi pahoin vaurioitunut tai täysin loppuun kulunut. Avotuli voi aiheuttaa akun räjähtämisen.
8. Varo kolhimasta tai pudottamasta akkua.
9. Älä käytä viallista akkua.
10. Sisältyviä litium-ioni-akkuja koskevat vaarallisten aineiden lainsäädännön vaatimukset. Esimerkiksi kolmansien osapuolten huolintaliikkeiden tulee kaupallisissa kuljetuksissa noudattaa pakkaamista ja merkintöjä koskevia erityisvaatimuksia. Lähetettävän tuotteen valmistelu edellyttää vaarallisten aineiden asiantuntijan neuvontaa. Huomioi myös mahdollisesti yksityiskohtaisemmat kansalliset määräykset  
Akun avoimet liittimet tulee suojata teipillä tai suojuksella ja pakkaaminen tulee tehdä niin, ettei akku voi liikkua pakkauksessa.

11. Hävitä akku paikallisten määräysten mukaisesti.

## SÄILYTÄ NÄMÄ OHJEET.

**⚠HUOMIO:** Käytä vain alkuperäisiä Makita-akkuja. Muiden kuin aitojen Makita-akkujen, tai mahdollisesti muutettujen akkujen käyttö voi johtaa akun murtumiseen ja aiheuttaa tulipaloja, henkilö- ja omaisuusvahinkoja. Se mitätöi myös Makita-työkalun ja -laturin Makita-takuun.

## Vihjeitä akun käyttöiän pidentämiseksi

1. Lataa akku ennen kuin se purkautuu täysin. Lopeta aina työkalun käyttö ja lataa akku, jos huomaat työkalun tehon vähenevän.
2. Älä koskaan lataa uudestaan täysin ladattua akkua. Yli lataaminen lyhentää akun käyttöikää.
3. Lataa akku huoneen lämpötilassa välillä 10 °C - 40 °C. Anna kuumen akun jäähtyä ennen lataamista.

## TOIMINTOJEN KUVAUS

**⚠HUOMIO:** Varmista aina ennen säätöjä ja tarkastuksia, että työkalu on sammutettu ja akkupaketti irrotettu.

**⚠HUOMIO:** Varo, että sormesi eivät jää imurin ja akun väliin akkua latauksen aikana kuvan osoittamalla tavalla. Sormien puristuminen voi aiheuttaa tapaturmia.

► Kuva1

## Akun asentaminen tai irrottaminen

**⚠HUOMIO:** Sammuta työkalu aina ennen akun kiinnittämistä tai irrottamista.

**⚠HUOMIO:** Pidä työkalusta ja akusta tiukasti kiinni, kun irrotat tai kiinnität akkua. Jos akkupaketti tai työkalu putoaa, ne voivat vaurioitua tai aiheuttaa tapaturman.

► **Kuva2:** 1. Punainen merkivalo 2. Painike 3. Akkupaketti

Irrota akku painamalla akun etupuolella olevaa painiketta ja vetämällä akku ulos työkalusta.

Akku liitetään sovittamalla akun kieleke rungon uraan ja työntämällä se sitten paikoilleen. Työnnä akku pohjaan asti niin, että kuulet sen napsahdavan paikoilleen. Jos painikkeen yläpuolella näkyy punainen ilmaisin, akku ei ole lukkiutunut täysin paikoilleen.

**⚠HUOMIO:** Työnnä akku aina pohjaan asti, niin että punainen ilmaisin ei enää näy. Jos akku ei ole kunnolla paikallaan, se voi pudota työkalusta ja aiheuttaa vammoja joko sinulle tai sivullisille.

**⚠HUOMIO:** Älä käytä voimaa akun asennuksessa. Jos akku ei liu'u paikalleen helposti, se on väärässä asennossa.

## Akun suojausjärjestelmä

Työkalu on varustettu akun suojausjärjestelmällä. Tämä järjestelmä pidentää akun käyttöikää katkaisemalla moottorin virran automaattisesti.

Työkalu pysähtyy automaattisesti kesken käytön, jos työkalussa tai akussa ilmenee jokin seuraavista tilanteista:

### Alhainen akun jännite:

Akun varaus on liian alhainen eikä riitä työkalun käyttämiseen. Jos kytket työkalun päälle, moottori alkaa toimia, mutta pysähtyy pian. Irrota tässä tilanteessa akku ja lataa se.

## Akun jäljellä olevan varaustason ilmaisimain

### Vain akkupaketeille ilmaisimella

► **Kuva3:** 1. Merkivalot 2. Tarkistuspainike

Painamalla tarkistuspainiketta saat näkyviin akun jäljellä olevan varaustason. Merkivalot palavat muutaman sekunnin ajan.

Merkivalot		Akussa jäljellä olevan varaus
Palaa	Pois päältä	
■ ■ ■ ■ ■	□	75% - 100%
■ ■ ■ □	□	50% - 75%
■ ■ □ □	□ □	25% - 50%
■ □ □ □	□ □ □ □	0% - 25%

**HUOMAA:** Ilmoitettu varaustaso voi erota hieman todellisesta varaustasosta sen mukaan, millaisissa oloissa ja missä lämpötilassa laitetta käytetään.

## Kytkimen käyttäminen

**⚠HUOMIO:** Tarkista aina ennen akkupaketin asettamista työkaluun, että liipaisinkytkin kytkeytyy oikein ja palaa "OFF"-asentoon, kun se vapautetaan.

Voit käynnistää laitteen vain vetämällä liipaisinkytkimestä. Pysäytä vapauttamalla liipaisinkytkin.

► **Kuva4:** 1. Liipaisinkytkin

## Lampun sytyttäminen

**⚠HUOMIO:** Älä katso suoraan lampuun tai valonlähteeseen.

Kytke valo päälle vetämällä liipaisinkytkintä. Valo palaa kun laite on toiminnassa.

Vapauta kytkin valon sammuttamiseksi.

► **Kuva5:** 1. Lamppu 2. Liipaisinkytkin

# KOKOONPANO

**⚠HUOMIO:** Varmista aina ennen mitään työkalulle tehtäviä toimenpiteitä, että se on sammutettu ja akku irrotettu.

## Pölyn hävittäminen

**⚠HUOMIO:** Tyhjennä imuri ennen sen täyttämistä, jotta imuteho ei heikkene.

**⚠HUOMIO:** Varmista, että puhdistat myös imurin sisäpuolen pölystä. Muussa tapauksessa suodatin voi tukkeutua ja moottori vaurioitua.

Kapselissa olevaan suodattimeen tarttunut pöly irtoaa, kun kopautat kapselia kädelläsi 4 tai 5 kertaa.

► **Kuva6:** 1. Kapseli 2. Imupää

Suuntaa imupää alaspäin, käännä kapselia nuolen suuntaan kuvassa osoitetulla tavalla ja irrota kapseli hitaasti ja suorassa.

► **Kuva7:** 1. Kapseli 2. Imupää

**HUOMAA:** Varmista, että asetat roskapussin kapselin alapuolelle, koska pölyä voi lennellä kapselin avaamisen aikana.

Poista kertynyt pöly kapselin sisältä ja esisuodattimesta.

► **Kuva8:** 1. Esisuodatin 2. Kapseli

Kierrä esisuodatinta nuolen suuntaan siten, että kiinnityshuuli irtoaa imurista, ja vedä esisuodatin sitten irti.

► **Kuva9:** 1. Esisuodatin 2. Kiinnityshuuli

Puhdista hienojakoinen pöly esisuodattimesta. Tämän jälkeen vedä suodatin pois ja naputtele sitä kevyesti pölyn poistamiseksi.

► **Kuva10:** 1. Suodatin 2. Esisuodatin

## Uudelleen kokoaminen

Aseta suodatin täysin paikalleen imuriin.

► **Kuva11:** 1. Suodatin

**HUOMAUTUS:** Varmista, että suodatin asetettu suoraan niin, että se ei ole taittunut kasaan. Jos suodatin asetetaan väärin paikalleen kuten osoitettu kuvassa, moottorikoteloon pääsee pölyä mikä voi aiheuttaa moottorivaurion.

► **Kuva12:** 1. Suodatin

Asenna esisuodatin. Kierrä esisuodatinta tässä vaiheessa niin, että kiinnityshuuli lukkiutuu luotettavasti kiinni imuriin.

► **Kuva13:** 1. Esisuodatin 2. Kiinnityshuuli

► **Kuva14**

Asenna kapseli. Kohdista kapselissa oleva merkki kahvassa olevaan merkkiin ja kierrä kapselia sitten nuolen suuntaan, kunnes se on luotettavasti kiinni.

► **Kuva15:** 1. Kapseli 2. Kahva 3. Merkki

**HUOMAA:** Poista pöly aina hyvissä ajoin, sillä imuteho heikkenee jos imurissa on liikaa pölyä.

**HUOMAUTUS:** Tarkista aina ennen imurin käyttöä, että sekä suodatin että esisuodatin ovat kiinnitetty oikein. Jos näin ei ole, moottorikoteloon pääsee pölyä mikä voi aiheuttaa moottorivaurion. Jos jokin seuraavista esimerkkitapauksista esiintyy, suodatinta ja esisuodatinta ei ole kiinnitetty oikein. Korjaa ongelma kiinnittämällä ne oikein.

## Esimerkkejä ongelmista

Esimerkki 1: Vain esisuodatin on kiinnitetty (suodatin puuttuu)

► **Kuva16:** 1. Esisuodatin

Esimerkki 2: Vain suodatin on kiinnitetty (esisuodatin puuttuu)

► **Kuva17:** 1. Suodatin

Esimerkki 3: Suodatin on taittunut kiinnitettäessä kasaan

► **Kuva18:** 1. Suodatin

Esimerkki 4: Esisuodattimen kiinnityshuuli ei ole lukkiutunut luotettavasti kiinni imurikotelon uraan

► **Kuva19:** 1. Kiinnityshuuli 2. Esisuodatin 3. Imurikotelon ura

# TYÖSKENTELY

**⚠HUOMIO:** Kiinnitä suutin ja muut lisävarusteet kiertämällä ja liittämällä kyseinen lisävaruste nuolen suuntaan niin, että se pysyy luotettavasti paikallaan käytön aikana. Irrota lisävaruste kiertämällä ja vetämällä myös nuoren osoittamaan suuntaan. Jos lisävarustetta kierretään päinvastaiseen suuntaan nuolesta sen liittämisen tai irrottamisen aikana, kapseli voi löystyä.

► **Kuva20:** 1. Kapseli

## Puhdistus (Imurointi)

### Suutin

Kiinnitä suutin, kun imuroit pöytiä, tasoja, huonekaluja tms. Suutin liikuu helposti.

► **Kuva21:** 1. Suutin

### Suutin + jatkovarsi (suora putki)

Jatkovarsi asetetaan suuttimen ja imurin väliin.

Jatkovarsi on käytännöllinen lattioiden imuroinnissa seisten.

► **Kuva22:** 1. Imurin runko 2. Jatkovarsi 3. Suutin

### Kulmasuutin

Kulmasuuttimen avulla voit imuroida nurkat ja ahtaat paikat autoissa ja huonekaluissa.

► **Kuva23:** 1. Kulmasuutin 2. Imurin runko

## Kulmasuutin + jatkovarsi (suora putki)

Käytä tätä kokoonpanoa, jos imuri ei muutoin mahdu kohteeseen tai jos imuroit korkealta.

► **Kuva24:** 1. Kulmasuutin 2. Jatkovarsi 3. Imurin runko

## Siivous ilman suutinta

Jauhoa ja pölyä voi imuroida myös ilman suutinta.

► **Kuva25**

## KUNNOSSAPITO

**▲HUOMIO:** Varmista aina ennen tarkastusta tai huoltoa, että työkalu on sammutettu ja akku irrotettu.

**HUOMAUTUS:** Älä koskaan käytä bensiiniä, ohenteita, alkoholia tai tms. aineita. Muutoin pinta voi halkeilla tai sen värit ja muoto voivat muuttua. Muutoin laitteeseen voi tulla värjäytyymiä, muodon vääristymiä tai halkeamia.

## Käytön jälkeen

**HUOMAUTUS:** Jos imuri asetetaan seinää vasten ilman tukea, se voi kaatua ja rikkoutua.

► **Kuva26**

## Puhdistus

Pyyhi ajoittain imurin ulkopuoli (laitekotelo) pesuainevedellä kostutetulla liinalla.

Puhdista myös imuaukko, pölypussin/paperipussin kiinnitysalue sekä pölytiiviste.

► **Kuva27**

Pese pölystä tukkeutunut suodatin saippuavedessä jos imurin imuteho on sen vuoksi heikentynyt. Kuivaa suodatin läpikotaisin ennen käyttöä. Jos suodatin ei ole kuiva, se voi heikentää laitteen imutehoa ja lyhentää moottorin käyttöikää.

► **Kuva28**

## Vianmääritys

Tarkasta seuraavat kohdat ennen korjauspyyntöä.

Oire	Tarkastettava kohta	Kiinnitystapa
Heikko imuteho	Onko kapseli täynnä pölyä?	Tyhjennä kapseli pölystä.
	Onko suodatin tukossa?	Puhdista tai pese suodatin.
	Onko akun varaus loppunut?	Lataa akku.
Ei toimintaa	Onko akun varaus loppunut?	Lataa akku.

**▲HUOMIO:** Älä yritä itse korjata imuria.

Tuotteen TURVALLISUUDEN ja LUOTETTAVUUDEN takaamiseksi korjaukset, muut huoltotyöt ja säädöt on teetettävä Makitan valtuutetussa huoltopisteessä Makitan varaosia käyttäen.

## LISÄVARUSTEET

**▲HUOMIO:** Seuraavia lisävarusteita tai laitteita suositellaan käytettäväksi tässä ohjeessa kuvatun Makita-työkalun kanssa. Muiden lisävarusteiden tai laitteiden käyttö voi aiheuttaa henkilövahinkoja. Käytä lisävarusteita ja -laitteita vain niiden käyttötarkoituksen mukaisesti.

Jos tarvitset apua tai yksityiskohtaisempia tietoja seuraavista lisävarusteista, ota yhteys paikalliseen Makitan huoltoon.

- Jatkovarsi (suora putki)
- Suutin
- Mattosuutin
- Hyllyharja
- Kulmasuutin
- Pyöreä harja
- Joustava letku

- Suodatin
- Esisuodatin
- Aito Makitan akku ja laturi

**HUOMAA:** Jotkin luettelossa mainitut varusteet voivat sisältyä työkalun toimitukseen vakiovarusteina. Ne voivat vaihdella maittain.

## BRĪDINĀJUMS

Šo ierīci drīkst izmantot bērni no 8 gadu vecuma un personas ar samazinātām fiziskām, sensoriskām vai psihiskām spējām, vai kam trūkst pieredzes un zināšanu, ja tām nodrošināta uzraudzība un sniegti norādījumi par ierīces drošu izmantošanu un ja ir izprasti saistītie apdraudējumi. Bērni nedrīkst spēlēties ar ierīci. Ierīces tīrīšanu un apkopi nedrīkst veikt bērni bez uzraudzības.

## SPECIFIKĀCIJAS

Modelis:	CL106FD	
Tilpums	600 mL	
Nepārtraukta lietošana (ar akumulatoru BL1015)	Apm. 16 min	
Kopējais garums	958 mm	
Nominālais spriegums	Līdzstrāva 10,8 V	
Akumulatora kasetne	BL1015, BL1020B	BL1040B
Tīrsvars	1,0 kg	1,1 kg

- Nepārtrauktās izpētes un izstrādes programmas dēļ šeit uzrādītās specifikācijas var tikt mainītas bez brīdinājuma.
- Specifikācijas un akumulatora kasetne var atšķirties dažādās valstīs.
- Svārs ar akumulatora kasetni saskaņā ar EPTA-Procedure 01/2003

## Simboli

Zemāk ir attēloti simboli, kas attiecas uz iekārtu. Pirms darbarīka izmantošanas pārlicinieties, vai pareizi izprotat to nozīmi.



Izlasiet lietošanas rokasgrāmatu.



Tikai ES valstīm  
Elektroierīces vai akumulatora bloku neizmetiet mājāsaimniecības atkritumos! Saskaņā ar Eiropas direktīvām par nelietotām elektriskām un elektroniskām iekārtām, kā arī par baterijām un akumulatoriem, nelietotām baterijām un akumulatoriem un šo direktīvu ieviešanu saskaņā ar valsts likumdošanu, elektriskās iekārtas, baterijas un akumulatori, to darbūžam beidzoties, jāsavāc atsevišķi un jānogādā vidi saudzējošā atreizēšanās pārstrādes uzņēmumā.

## Paredzētā lietošana

Šis darbarīks ir paredzēts sausu putekļu savākšanai.

## DROŠĪBAS BRĪDINĀJUMI

### Drošības brīdinājumi attiecībā uz bezvadu tīrītāju

**▲BRĪDINĀJUMS: SVARĪGI! PIRMS LIETOŠANAS UZMANĪGI IZLASIET** visus drošības brīdinājumus un visus norādījumus. Brīdinājumu un norādījumu neievērošanas gadījumā var rasties elektrotrauma, aizdegšanās un/vai smagas traumas.

1. Neatstājiet lietū. Uzglabājiet telpās.
2. Neļaujiet izmantot kā rotaļlietu. Īpaša uzmanība jāpievērš, kad darbarīku izmanto bērni vai tas tiek izmantots bērnu tuvumā.
3. Izmantojiet tikai tā, kā norādīts šajā rokasgrāmatā. Lietojiet tikai darbarīka ražotāja ieteiktās papildierīces.
4. Neizmantojiet ar bojātu akumulatoru. Ja ierīce nedarbojas, kā paredzēts, tikusi nomesta, ir bojāta, atstāta ārpus telpām vai iemesta ūdenī, nogādājiet to apkopes centrā.
5. Nelietojiet ierīci ar mitrām rokām.
6. Neievietojiet tās atverēs priekšmetus. Nelietojiet ierīci, ja nosprostota kāda no atverēm — tajās nedrīkst būt putekļu, plūksnu, matu un citu svešķermeņu, kas var ierobežot gaisa plūsmu.

7. Netuviniet matus, valģiu apģerbu, pirkstus un ķermeņa daļas atverēm un kustīgajām daļām.
8. Pirms akumulatora izņemšanas izslēdziet visas vadības ierīces.
9. Īpaši uzmanieties, tīrot uz kāpnēm.
10. Neizmantojiet viegli uzliesmojošu vai ugunsne drošu šķidrumu, piemēram, benzīna savākšanai, kā arī nelietojiet ierīci vietās, kur šādi šķidrums var būt.
11. Uzlādei izmantojiet tikai ražotāja nodrošināto lādētāju.
12. Neizmantojiet degošu vai dūmojošu priekšmetu, piemēram, cigarešu, sērkokciņu vai karstu pelnu savākšanai.
13. Nelietojiet ierīci, ja nav uzstādīts putekļu maiss un/vai filtri.
14. Nelādējiet akumulatoru ārpus telpām.
15. Uzlādei izmantojiet tikai ražotāja norādītos lādētājus. Vienam akumulatoru tipam paredzēta lādētāja izmantošana cita tipa akumulatoru uzlādei var radīt aizdegšanās draudus.
16. Mehānizētos darbarīkus izmantojiet tikai ar paredzētajiem akumulatoriem. Cita tipa akumulatoru izmantošana var radīt traumu un aizdegšanās bīstamību.
17. Ja akumulatora bloku neizmantojat, novietojiet to drošā attālumā no metāla priekšmetiem, piemēram, saspraudēm, monētām, atslēgām, naglām, skrūvēm un citiem nelieliem metāla priekšmetiem, kas var savienot spailes.
18. Nepareizas lietošanas gadījumā no akumulatora var izteciēt šķidrums; nepieskarieties tam. Ja nējauši pieskārāties šķidrumam, skarto vietu noskalojiet ar ūdeni.

## SAGLABĀJIET ŠOS NORĀDĪJUMUS.

### PAPILDU DROŠĪBAS NOTEIKUMI

Šī ierīce ir paredzēta lietošanai māsāimniecībā.

1. Pirms lietošanas rūpīgi izlasiet šo rokasgrāmatu un lādētāja rokasgrāmatu.
2. Nevāciet šeit nosauktos materiālus.
  - Karstus priekšmetus, piemēram, aizdegas cigāretes vai dzirksteles/metāla putekļus, kas radušies metāla slīpēšanas/zāģēšanas laikā.
  - Ugunsne drošas vielas, piemēram, benzīnu, šķīdinātāju, petroleju vai krāsu.
  - Sprādzienbīstamas vielas, piemēram, nitroglicerīnu.
  - Uzliesmojošus materiālus, piemēram, alumīniju, cinku, magniju, titānu, fosforu vai celuloīdu.
  - Mitrus netīrumus, ūdeni, eļļu vai līdzīgas vielas.
  - Cietus priekšmetus ar asām malām, piemēram, koka skaidas, metāla gabalus, akmeņus, stiklu, naglas, saspraudes vai žiletetes.
  - Pulveri, kas sacietē, piemēram, cementu vai toneri.
  - Vadītspējīgus putekļus, piemēram, metāla vai oglekļa putekļus.
  - Sīkas daļiņas, piemēram, betona putekļus.

3. Nekavējoties pārtrauciet darbu, ja ievērojāt novirzes no normas.
4. Ja tīrītāju nometat vai tas citādi saņem triecienu, pirms tā darbināšanas rūpīgi pārbaudiet, vai tīrītājam nav plaisu vai bojājumu.
5. Nelietojiet to krāsns vai citu karstuma avotu tuvumā.
6. Nenobloķējiet iepūdes atveri un ventilācijas atveres.

## SAGLABĀJIET ŠOS NORĀDĪJUMUS.

### Svarīgi drošības norādījumi par akumulatora kasetni

1. Pirms akumulatora lietošanas izlasiet visus norādījumus un brīdinājumus, kuri attiecas uz (1) akumulatora lādētāju, (2) akumulatoru un (3) ierīci, kurā tiek izmantots akumulators.
2. Neizjauciet akumulatoru.
3. Ja akumulatora darbības laiks kļūva ievērojami īsāks, nekavējoties pārtrauciet to izmantot. Citādi, tas var izraisīt pārkarsējumu, uzliesmojumu vai pat sprādzienu.
4. Ja elektrolīts nonāk acīs, izskalojiet tās ar tīru ūdeni un nekavējoties griezieties pie ārsta. Tas var izraisīt redzes zaudēšanu.
5. Nerādiat īssavienojumu akumulatora kasetnē:
  - (1) Nepieskarieties spailēm ar elektrību vadošiem materiāliem.
  - (2) Neuzglabājiet akumulatoru kasetni kopā ar citiem metāla priekšmetiem, tādiem kā naglas, monētas u. c.
  - (3) Nepakļaujiet akumulatora kasetni ūdens vai lietus iedarbībai.

Akumulatora īssavienojums var radīt spēcīgu strāvas plūsmu, pārkarsānu, uzliesmojumu un pat sabojāt akumulatoru.

6. Neglabājiet darbarīku un akumulatora kasetni vietās, kur temperatūra var sasniegt vai pārsniegt 50 °C (122 °F).
7. Nededziniet akumulatora kasetni, pat ja tā ir stipri bojāta vai pilnībā nolietota. Akumulatora kasetne uguni var eksplodēt.
8. Uzmanieties, lai neļautu akumulatoram nokrist un nepakļautu to siltienam.
9. Neizmantojiet bojātu akumulatoru.
10. Uz izmantotajiem lītija jonu akumulatoriem attiecas likumdošanas prasības par bīstamiem izstrādājumiem.

Komeriālā transportēšanā, ko veic, piemēram, trešās puses, transporta uzņēmumi, jāievēro uz iesaiņojuma un marķējuma norādītās īpašās prasības.

Lai izstrādājumu sagatavotu nosūtīšanai, jāsažinās ar bīstamo materiālu speciālistu. Ievērojiet arī citus attiecināmos valsts normatīvus.

Vāļējus kontaktus nosedziet ar līmlenti vai citādi pārklājiet, bet akumulatoru iesaiņojiet tā, lai sānī tas nevarētu izkustēties.

11. Ievērojiet vietējos noteikumus par akumulatora likvidēšanu.

## SAGLABĀJIET ŠOS NORĀDĪJUMUS.

**UZMANĪBU:** Lietojiet tikai oriģinālos Makita akumulatorus. Ja lietojat neoriģinālus Makita akumulatorus vai pārveidotus akumulatorus, tie var uzspriest un izraisīt aizdegšanos, traumas un materiālos zaudējumus. Tiks anulēta arī Makita darbarīka un lādētāja garantija.

## Ieteikumi akumulatora kalpošanas laika pagarināšanai

- Uzlādējiet akumulatora kasetni, pirms tā ir pilnībā izlādējusies. Vienmēr, kad ievērojat, ka darbarīka darba jauda zudusi, apturiet darbarīku un uzlādējiet akumulatora kasetni.
- Nekad neuzlādējiet pilnībā uzlādētu akumulatora kasetni. Pārmērīga uzlāde saīsina akumulatora kalpošanas laiku.
- Uzlādējiet akumulatora kasetni istabas temperatūrā 10 °C - 40 °C. Karstai akumulatora kasetnei pirms uzlādes ļaujiet atdzist.

## FUNKCIJU APRAKSTS

**UZMANĪBU:** Pirms darbarīka regulēšanas vai tā darbības pārbaudes vienmēr pārliecinieties, ka darbarīks ir izslēgts un akumulatora kasetne ir izņemta.

**UZMANĪBU:** Uzmanieties, lai, ievietojot akumulatoru, pirksts(-i) nenokļūtu starp tīrītāju un akumulatoru, kā parādīts attēlā. Iespēstus pirkstus var traumēt.

► Att.1

## Akumulatora kasetnes uzstādīšana un izņemšana

**UZMANĪBU:** Vienmēr pirms akumulatora kasetnes uzstādīšanas vai noņemšanas izslēdziet darbarīku.

**UZMANĪBU:** Uzstādot vai izņemot akumulatora kasetni, darbarīku un akumulatora kasetni turiet cieši. Ja darbarīku un akumulatora kasetni netur cieši, tie var izkrist no rokām un radīt bojājumus darbarīkam un akumulatora kasetnei, kā arī izraisīt ievainojumus.

► Att.2: 1. Sarkanās krāsas indikators 2. Poga 3. Akumulatora kasetne

Lai izņemtu akumulatora kasetni, izvelciet to no darbarīka, pārbrīdot kasetnes priekšpusē esošo pogu.

Lai uzstādītu akumulatora kasetni, salāgojiet mēlīti uz akumulatora kasetnes ar rievu ietvarā un iebīdīet to vietā. Ievietojiet to līdz galam, līdz tā ar klikšķi nofiksējas. Ja pogas augšējā daļā redzams sarkanās krāsas indikators, tas nozīmē, ka tā nav pilnīgi fiksēta.

**UZMANĪBU:** Vienmēr ievietojiet akumulatora kasetni tā, lai sarkanais indikators nebūtu redzams. Pretēja gadījumā tā var nejauši izkrist no darbarīka un izraisīt jums vai apkārtējiem traumas.

**UZMANĪBU:** Neievietojiet akumulatora kasetni ar spēku. Ja kasetne neslīd ietvarā viegli, tā nav pareizi ielikta.

## Akumulatora aizsardzības sistēma

Darbarīks ir aprīkots ar akumulatora aizsardzības sistēmu. Šī sistēma automātiski izslēdz jaudas padevi motoram, lai pagarinātu akumulatora kalpošanas laiku. Darbarīka darbība tiks automātiski apturēta, ja darbarīku un/vai akumulatoru pakļaus kādam no šiem apstākļiem.

### Zema akumulatora jauda:

Akumulatora uzlādes līmenis ir pārāk zems, un darbarīks nedarbosies. Ja ieslēgsit darbarīku, motors vēlreiz sāks darboties, taču drīz apstāsies. Šādā gadījumā noņemiet akumulatoru un uzlādējiet.

## Atlikušās akumulatora jaudas indikators

Tikai akumulatora kasetnēm ar indikatoru

► Att.3: 1. Indikatora lampas 2. Pārbaudes poga

Nospiediet akumulatora kasetnes pārbaudes pogu, lai pārbaudītu akumulatora atlikušo uzlādes līmeni. Indikatori iedegsies uz dažām sekundēm.

Indikatora lampas		Atlikusī jauda
Iededzies	Izslēgts	
		No 75% līdz 100%
		No 50% līdz 75%
		No 25% līdz 50%
		No 0% līdz 25%

**PIEZĪME:** Reālā jauda var nedaudz atšķirties no norādītās atkarībā no lietošanas apstākļiem un apkārtējās temperatūras.

## Slēdža darbība

**UZMANĪBU:** Pirms akumulatora kasetnes uzstādīšanas darbarīkā vienmēr pārbaudiet, vai slēdža mēlīte darbojas pareizi un pēc atlaišanas atgriežas stāvoklī „OFF” (Izslēgts).

Lai ieslēgtu darbarīku, nospiediet slēdža mēlīti. Lai apturētu darbarīku, atlaidiet slēdža mēlīti.

► Att.4: 1. Slēdža mēlīte

## Lampas ieslēgšana

**⚠UZMANĪBU:** Neskatieties gaismā, neļaujiet tās avotam iespīdēt acīs.

Lai ieslēgtu lampu, nospiediet slēdža mēlīti. Ieslēdzot darbarīku, ieslēdzas arī lampas.

Atļaidiet slēdzi, lai izslēgtu lampu.

► **Att.5:** 1. Lampa 2. Slēdža mēlīte

## MONTĀŽA

**⚠UZMANĪBU:** Pirms darbarīka regulēšanas vai apkopes vienmēr pārliecinieties, ka darbarīks ir izslēgts un akumulatora kasetne ir izņemta.

## Atbrīvošanās no putekļiem

**⚠UZMANĪBU:** Tīrītāju iztukšojiet pirms tā pārplūdes, jo vājinās iesūkšana.

**⚠UZMANĪBU:** No putekļiem noteikti iztīriet arī tīrītāja iekšpusi. Ja to neizdara, var aizsērēt filtrs vai sabojāties motors.

Lai iztīrītu putekļus, kas pielipuši filtram kapsulā, 4 vai 5 reizes viegli uzsitiet pa kapsulu ar roku.

► **Att.6:** 1. Kapsula 2. Iesūces atvere

Iesūces atveri pavērsiet uz leju, kapsulu pagrieziet bultiņas virzienā, kā parādīts attēlā, tad lēnām un taisni atvienojiet kapsulu.

► **Att.7:** 1. Kapsula 2. Iesūces atvere

**PIEZĪME:** Zem kapsulas novietojiet atkritumu maisu, jo, atverot kapsulu, var izbirt putekļi.

No kapsulas iekšpuses un priekšfiltra iztīriet tur sakrājušos putekļus.

► **Att.8:** 1. Priekšfiltrs 2. Kapsula

Priekšfiltru pagrieziet bultiņas virzienā, lai no tīrītāja atvienotu fiksācijas apmali, un pēc tam izvelciet priekšfiltru.

► **Att.9:** 1. Priekšfiltrs 2. Fiksācijas apmale

No priekšfiltra iztīriet smalkos putekļus. Pēc tam izvelciet filtru un nedaudz pasitiet pa to, lai atdalītu putekļus.

► **Att.10:** 1. Filtrs 2. Priekšfiltrs

## Salikšana

Filtru tīrītājā ievietojiet līdz galam.

► **Att.11:** 1. Filtrs

**IEVĒRĪBAI:** Pārbaudiet, vai filtrs ir ievietots taisni un nav atliecies. Ja filtrs ir ievietots nepareizi, kā parādīts attēlā, putekļi iekļūs motora korpusā un izraisīs motora atteici.

► **Att.12:** 1. Filtrs

Uzstādiet priekšfiltru. Šajā brīdī priekšfiltru noteikti pagrieziet tā, lai fiksācijas apmale cieši iekļertos tīrītājā.

► **Att.13:** 1. Priekšfiltrs 2. Fiksācijas apmale

► **Att.14**

Uzstādiet kapsulu. Kapsulas atzīmi salāgojiet ar atzīmi pie roktura un tad kapsulu spēcīgi pagrieziet bultiņas virzienā, līdz tā nostiprinās.

► **Att.15:** 1. Kapsula 2. Rokturis 3. Atzīme

**PIEZĪME:** Vienmēr savlaicīgi iztīriet putekļus, jo iesūces jauda samazinās, ja tīrītājā ir pārāk daudz putekļu.

**IEVĒRĪBAI:** Pirms tīrītāja izmantošanas vienmēr pārbaudiet, vai filtrs un priekšfiltrs ir ievietoti pareizi. Ja filtri nav ievietoti pareizi, putekļi iekļūs motora korpusā un izraisīs motora atteici. Ja rodas piemēros norādītās kļūmes, filtrs un priekšfiltrs nav ievietoti pareizi. Lai novērstu kļūmi, filtrus ievietojiet vēlreiz.

## Kļūmju piemēri

1. piemērs. Ievietots tikai priekšfiltrs (nav filtra).

► **Att.16:** 1. Priekšfiltrs

2. piemērs. Ievietots tikai filtrs (nav priekšfiltra).

► **Att.17:** 1. Filtrs

3. piemērs. Filtrs ir ievietots atliektā stāvoklī.

► **Att.18:** 1. Filtrs

4. piemērs. Priekšfiltra fiksācijas apmale nav cieši nostiprināta rievā tīrītāja korpusā.

► **Att.19:** 1. Fiksācijas apmale 2. Priekšfiltrs 3. Tīrītāja korpusa rievā

## EKSPLUATĀCIJA

**⚠UZMANĪBU:** Lai pievienotu papildierīces, piemēram, uzgali, pagriežot bultiņas norādītajā virzienā, ievietojiet papildierīci, lai savienojums lietošanas laikā būtu stingrs. Lai atvienotu papildierīces, pagrieziet un bultiņas norādītajā virzienā noņemiet tās. Ja papildierīci pievienošanas vai atvienošanas laikā pagriež pretējā virzienā, kapsula var kļūt vaļīga.

► **Att.20:** 1. Kapsula

## Tīrīšana (iesūkšana)

### Uzgalis

Piestipriniet uzgali, lai notīrītu galdus, solus, mēbeles u. c. Uzgali piestiprināt ir vienkārši.

► **Att.21:** 1. Uzgalis

### Uzgalis un pagarinājuma caurule (taisna caurule)

Pagarinājuma caurule iestiprināma starp uzgali un tīrītāju. Šis izkārtojums ir ērts grīdas tīrīšanai stāvus pozīcijā.

► **Att.22:** 1. Tīrītāja korpus 2. Pagarinājuma caurule 3. Uzgalis

## Stūru uzgalis

Stūru uzgali izmantojiet stūru un automobiļa vai mēbeļu iedobumu tīrīšanai.

► **Att.23:** 1. Stūru uzgalis 2. Tīrītāja korpus

## Stūru uzgalis un pagarinājuma caurule (taisna caurule)

Izmantojiet šo konfigurāciju, lai iztīrītu stūrus, kur nav iespējams piekļūt ar tīrītāju, vai augstas, grūti aizsniedzamas vietas.

► **Att.24:** 1. Stūru uzgalis 2. Pagarinājuma caurule  
3. Tīrītāja korpus

## Tīrīšana bez uzgaļa

Pulveri un putekļus var savākt bez uzgaļa.

► **Att.25**

## APKOPE

**⚠UZMANĪBU:** Pirms darbarīka pārbaudes vai apkopes vienmēr pārliecinieties, ka darbarīks ir izslēgts un akumulatora kasetne ir izņemta.

## Kļūmju novēršana

Pirms vienoties par ierīces remontu, izvērtējiet šādas iespējas.

Pazīme	Pārbaudāmā daļa	Risinājums
Maza iesūces jauda	Vai kapsula nav pilna ar putekļiem?	Iztukšojiet kapsulu.
	Vai nav aizsērējis filtrs?	Iztīriet vai izmazgājiet filtru.
	Vai nav izlādējies akumulators?	Uzlādējiet akumulatora kasetni.
Nedarbojas	Vai nav izlādējies akumulators?	Uzlādējiet akumulatora kasetni.

**⚠UZMANĪBU:** Nemēģiniet tīrītāju remontēt patstāvīgi.

Lai saglabātu izstrādājuma DROŠU un UZTICAMU darbību, remontdarbus, apkopi un regulēšanu uzticiet veikt tikai Makita pilnvarotam vai rūpnīcas apkopes centram, un vienmēr izmantojiet tikai Makita rezerves daļas.

## PAPILDU PIEDERUMI

**⚠UZMANĪBU:** Šādi piederumi un papildierīces tiek ieteiktas lietošanai ar šajā rokasgrāmatā aprakstīto Makita darbarīku. Izmantojot citus piederumus vai papildierīces, var tikt radīta trauma gūšanas bīstamība. Piederumu vai papildierīci izmantojiet tikai paredzētajam mērķim.

Ja jums vajadzīga palīdzība vai precīzāka informācija par šiem piederumiem, vērsieties savā tuvākajā Makita apkopes centrā.

- Pagarinājuma caurule (taisna caurule)
- Uzgalis
- Uzgalis paklājam
- Plauktu suka
- Stūru uzgalis
- Apajā suka

**IEVĒRĪBAI:** Nekad neizmantojiet gazoļīnu, benzīnu, atšķaidītāju, spirtu vai līdzīgus šķidrumus. Tas var radīt izbalēšanu, deformāciju vai plaisas.

## Pēc lietošanas

**IEVĒRĪBAI:** Ja tīrītāju novieto pie sienas bez papildu balsta, tīrītājs var nokrist un tikt bojāts.

► **Att.26**

## Tīrīšana

Tīrītāja ārpusi (korpusu) ik pa laikam notīriet ar ziepjuķūdenī samitrinātu drānu.

Iztīriet arī iesūces atveri, putekļu maisa/papīra filtra stiprinājuma vietu un putekļu aizturi.

► **Att.27**

Izmazgājiet filtru ziepjuķūdenī, kad tas ir aizsērējis ar putekļiem un tīrītāja jauda samazinās. Pirms lietošanas rūpīgi nosusiniet. Nepietiekami nosusināts filtrs var pasliktināt iesūci un saīsināt motora darbību.

► **Att.28**

- Lokanā šūtene
- Filtrs
- Priekšfiltrs
- Makita oriģinālais akumulators un lādētājs

**PIEZĪME:** Daži sarakstā norādītie izstrādājumi var būt iekļauti instrumenta komplektācijā kā standarta piederumi. Tie dažādās valstīs var būt atšķirīgi.

## ĮSPĖJIMAS

Šį prietaisą leidžiama naudoti vaikams nuo 8 metų amžiaus ir asmenims, turintiems psichinių, jutiminių ar protinių negalių, arba žmonėms, neturintiems patirties bei žinių, su sąlyga, kad jie bus prižiūrimi arba instruktuojami apie tai, kaip saugiai naudoti šį prietaisą, ir supras atitinkamus pavojus. Neleiskite vaikams žaisti su šiuo prietaisu. Be suaugusiųjų priežiūros vaikams draudžiama valyti ir techniškai prižiūrėti šį prietaisą.

## SPECIFIKACIJOS

Modelis:	CL106FD	
Pajėgumas	600 ml	
Nepertraukiamas naudojimas (su akumuliatoriumi BL1015)	Maždaug 16 min.	
Bendrasis ilgis	958 mm	
Vardinė įtampa	Nuol. sr. 10,8 V	
Akumuliatoriaus kasetė	BL 1015, BL 1020B	BL 1040B
Grynasis svoris	1,0 kg	1,1 kg

- Atlikame tęstinius tyrimus ir nuolat tobuliname savo gaminius, todėl čia pateikiamos specifikacijos gali būti keičiamos be įspėjimo.
- Įvairiose šalyse specifikacijos ir akumuliatoriaus kasetė gali skirtis.
- Svoris su akumuliatoriaus kasete pagal 2003-01 EPTA procedūrą

## Simboliai

Toliau yra nurodyti įrangai naudojami simboliai. Prieš naudodami įsitikinkite, ar suprantate jų reikšmę.



Perskaitykite instrukcijų vadovą.



Nurodymas tik ES šalims  
Neišmeskite elektros įrangos arba akumuliatoriaus bloko į buitinius šiukšlynus! Atsižvelgiant į ES direktyvas dėl elektros ir elektroninės įrangos atliekų, dėl baterijų ir akumuliatorių bei baterijų ir akumuliatorių atliekų ir šių direktyvų siekių įgyvendinimą pagal nacionalinius įstatymus, elektros įrangos ir baterijų bei akumuliatorių atliekas būtina surinkti atskirai nuo kitų buitinių atliekų ir atiduoti į antrinių žaliavų perdirbimo aplinkai nekenksmingu būdu punktą.

## Numatytoji naudojimo paskirtis

Šis įrankis skirtas sausoms dulkelėms surinkti.

## SAUGOS ĮSPĖJIMAI

### Saugos įspėjimai dėl belaidžio siurblio naudojimo

**ĮSPĖJIMAS: SVARBU: PRIEŠ PRADĖDAMI NAUDOTI, ATIDŽIAI PERSKAITYKITE visus saugos įspėjimus ir nurodymus.** Nesilaikydami toliau pateiktų įspėjimų ir instrukcijų, galite patirti elektros smūgį, gaisrą ir (arba) sunkų sužeidimą.

1. **Saugokite įrankį nuo lietaus. Laikykite įrankį patalpoje.**
2. **Neleiskite vaikams naudoti šį gaminį kaip žaislą. Būtina atidžiai stebėti šį gaminį naudojančius vaikus arba jį naudojant šalia vaikų.**
3. **Naudokite tik taip, kaip aprašyta šiame vadove. Naudokite tik gamintojo rekomenduojamus priedus.**
4. **Nenaudokite su sugadintu akumuliatoriumi. Jeigu prietaisas veikia netinkamai, buvo numestas, pažeistas, paliktas lauke arba įkrikęs į vandenį, atiduokite jį į techninės priežiūros centrą.**
5. **Nenaudokite prietaiso, jeigu jūsų rankos drėgnos.**

6. Nekiškite jokių daiktų į angas. Nenaudokite, jeigu kuri nors anga yra užkimšta; angose neturi būti dulkių, pūkelių, plaukų ir jokių kitų daiktų, kurie galėtų sutrikdyti oro srautą.
7. Plaukus, laisvus drabužius, pirštus ir kitas kūno dalis laikykite kuo toliau nuo angų ir judamųjų dalių.
8. Prieš išimdami akumuliatorių, išjunkite visus valdiklius.
9. Būkite itin atsargūs, valydami laiptus.
10. Nenaudokite degiems arba sprogiems skysčiams, pavyzdžiui, gazolinui, surinkite ir nenaudokite tose vietose, kuriose gali būti šių medžiagų.
11. Kraukite tik gamintojo pateiktu krovikliu.
12. Nesiurbkite jokių degančių arba rūkstančių daiktų, pavyzdžiui, cigarečių, degtukų arba karštų pelenų.
13. Nenaudokite neįdėję dulkių maišelio ir (arba) filtrų.
14. Nekraukite akumulatoriaus lauke.
15. Įkraukite naudodami tik gamintojo nurodytą įkroviklį. Įkroviklis, kuris tinka vienam akumuliatorių tipui įkrauti, gali kelti gaisro pavojų, jei bus naudojamas su kitų tipų akumulatoriais.
16. Elektrinius įrankius naudokite tik su specialiai jiems skirtais akumulatoriais. Naudojant bet kurį kitą akumuliatorių, gali kilti sužeidimo ir gaisro pavojus.
17. Kai akumuliatorių blokas nėra naudojamas, laikykite jį toliau nuo kitų metalinių daiktų, pavyzdžiui, popieriaus sąvaržėlių, monetų, raktų, vinių, varžtų ir kitų mažų metalinių daiktų, dėl kurių gali kilti trumpasis jungimas tarp kontaktų.
18. Netinkamai naudojant iš akumulatoriaus gali ištekėti skysčio. Venkite sąlyčio su juo. Jei sąlytis atsitiktinai įvyko, gausiai nuplaukite vandeniu.

## SAUGOKITE ŠIAS INSTRUKCIJAS.

### PAPILDOMOS SAUGOS TAISYKLĖS

Šis prietaisas skirtas naudoti tik namų ūkyje.

1. Prieš naudodami įrankį pirmą kartą, įdėmiai perskaitykite šias ir įkroviklio vartotojo instrukcijas.
2. Nesiurbkite šių medžiagų:
  - Karštų medžiagų, pavyzdžiui, degančių cigarečių arba kibirkščių / metalo dulkių, susidariusių šlifuojant / pjaunant metalą
  - Degių medžiagų, pavyzdžiui, gazolino, skiediklio, benzino, žibalo arba dažų
  - Sprogių medžiagų, pavyzdžiui, nitroglicerino
  - Degių medžiagų, pavyzdžiui, aliuminio, cinko, magnio, titano, fosforo arba celulioido
  - Šlapio purvo, vandens, alyvos, tepalo arba panašių medžiagų
  - Kietų daiktų aštriais kraštais, pavyzdžiui, medžio skiedrų, metalų, akmenų, stiklų, vinių, smeigtukų arba skutimo peiliukų

- Miltelių, kurie gali sukietėti, pavyzdžiui, cemento arba spausdintuvų dažų
  - Laidžių dulkių, pavyzdžiui, metalo arba anglies
  - Smulkių dalelių, pavyzdžiui, betono dulkių
- Tokie veiksmai gali sukelti gaisrą, sužeisti ir (arba) padaryti žalos turtui.
3. Pastebėję ką nors neįprasto, tučtuoju nutraukite darbą.
  4. Jei numesite ar sutrenksite siurblių, prieš naudojimą atidžiai patikrinkite, ar jis neįsikišo ir nesugedo.
  5. Nenaudokite įrankio arti viryklės ar kitų šilumos šaltinių.
  6. Neuzblokuokite įsiurbimo ar ventilacijos angų.

## SAUGOKITE ŠIAS INSTRUKCIJAS.

### Svarbios saugos instrukcijos, taikomos akumulatoriaus kasetei

1. Prieš naudodami akumulatoriaus kasetę, perskaitykite visas instrukcijas ir perspėjimus ant (1) akumuliatorių įkroviklio, (2) akumuliatorių ir (3) akumuliatorių naudojančio gaminio.
2. Neardykite akumulatoriaus kasetės.
3. Jei įrankio darbo laikas žymiai sutrumpėjo, nedelsdami nutraukite darbą su įrankiu. Tai gali kelti perkaitimo, nudegimų ar net sprogdimo pavojų.
4. Jei elektrolitas pateko į akis, plaukite jas tyru vandeniu ir nedelsdami kreipkitės į gydytoją. Gali kilti regėjimo praradimo pavojus.
5. Neuztrumpinkite akumulatoriaus kasetės:
  - (1) Nelieskite kontaktų degiomis medžiagomis.
  - (2) Venkite laikyti akumulatoriaus kasetę kartu su kitais metaliniais daiktais, pavyzdžiui, vinimis, monetomis ir pan.
  - (3) Saugokite akumulatoriaus kasetę nuo vandens ir lietaus.

Trumpasis jungimas akumulatoriuje gali sukelti stiprią srovę, perkaitimą, galimus nudegimus ar net akumulatoriaus gedimą.
6. Nelaikykite įrankio ir akumulatoriaus kasetės vietose, kur temperatūra gali pasiekti ar viršyti 50 °C.
7. Nedeginkite akumulatoriaus kasetės, net jei yra stipriai pažeista ar visiškai susidėvėjusi. Ugnyje akumulatoriaus kasetė gali sprogti.
8. Saugokite akumuliatorių nuo kritimo ir smūgių.
9. Nenaudokite pažeisto akumulatoriaus.
10. Įdėtoms ličio jonų akumulatoriams taikomi Pavojingų prekių teisės akto reikalavimai. Komeracinis transportas, pvz., trečiųjų šalių, prekių vežimo atstovų, turi laikytis specialaus reikalavimo ant pakuotės ir ženklavimo. Norėdami paruošti siųstiną prekę, pasitarkite su pavojingų medžiagų specialistu. Be to, laikykites galimai išsamesnių nacionalinių reglamentų. Užklijuokite juosta arba padenkite atvirus kontaktus ir supakuokite akumuliatorių taip, kad jį pakuotėje nejudėtų.

11. Vadovaukites vietos įstatymais dėl akumuliatorių išmetimo.

## SAUGOKITE ŠIAS INSTRUKCIJAS.

**▲PERSPĖJIMAS:** Naudokite tik originalų „Makita“ akumuliatorių. Neoriginalaus „Makita“ arba pakeisto akumuliatoriaus naudojimas gali nulemti gaisrą, asmens sužalojimą ir pažeidimą. Tai taip pat panaikina „Makita“ suteikiamą „Makita“ įrankio ir įkroviklio garantiją.

## Patarimai, ką daryti, kad akumuliatorius veiktų kuo ilgiau

1. Pakraukite akumuliatoriaus kasetę prieš jai visiškai išsikraunant. Visuomet nustokite naudoti įrankį ir pakraukite akumuliatoriaus kasetę, kai pastebite, kad įrankio galia sumažėjo.
2. Niekada nekraukite iki galo įkrautos akumuliatoriaus kasetės. Perkraunant trumpėja akumuliatoriaus eksploatacijos laikas.
3. Akumuliatoriaus kasetę kraukite esant kambario temperatūrai 10 - 40 °C. Prieš pradėdami krauti, leiskite įkaitusiai akumuliatoriaus kasetei atvėsti.

## VEIKIMO APRAŠYMAS

**▲PERSPĖJIMAS:** Prieš pradėdami reguliuoti arba tikrinti įrankio veikimą, visuomet būtinai išjunkite įrankį ir išimkite akumuliatoriaus kasetę.

**▲PERSPĖJIMAS:** Įkraudami akumuliatorių, būkite atsargūs, kad jūsų pirštas (-ai) neužstrigtų tarp siurblio ir akumuliatoriaus, kaip parodyta paveikslėlyje. Įstrigus pirštui (-ams), galite susižeisti.

► Pav.1

## Akumuliatoriaus kasetės uždėjimas ir nuėmimas

**▲PERSPĖJIMAS:** Prieš įdėdami arba išimdami akumuliatoriaus kasetę, visada išjunkite įrankį.

**▲PERSPĖJIMAS:** Įdėdami arba išimdami akumuliatoriaus kasetę, tvirtai laikykite įrankį ir akumuliatoriaus kasetę. Jeigu įrankį ir akumuliatoriaus kasetę laikysite netvirtai, jie gali išslysti iš jūsų rankų, todėl įrankis ir akumuliatoriaus kasetė gali būti sugadinti, o naudotojas sužalotas.

► Pav.2: 1. Raudonas indikatorius 2. Mygtukas 3. Akumuliatoriaus kasetė

Jei norite išimti akumuliatoriaus kasetę, ištraukite ją iš įrankio, stumdami mygtuką, esantį kasetės priekyje.

Jei norite įdėti akumuliatoriaus kasetę, sulygiuokite liežuvelį ant akumuliatoriaus kasetės su grioveliu korpuse ir įstumkite jį į skirtą vietą. Įdėkite iki galo, kol spragtelėdama užsifiksuos. Jeigu matote raudoną indikatorius viršutinėje mygtuko pusėje, ji nėra visiškai užfiksuota.

**▲PERSPĖJIMAS:** Akumuliatoriaus kasetę visada įkiškite iki galo, kol nebematysite raudono indikatorius. Priešingu atveju ji gali atsitiktinai iškristi iš įrankio, sužeisti jus arba aplinkinius.

**▲PERSPĖJIMAS:** Nekiškite akumuliatoriaus kasetės jėga. Jeigu kasetė sunkiai lenda, ją kišate netinkamai.

## Akumuliatoriaus apsaugos sistema

Įrankyje įrengta akumuliatoriaus apsaugos sistema. Ši sistema automatiškai atjungia variklio maitinimą, kad pailgėtų akumuliatoriaus naudojimo laikas.

Įrankis automatiškai išsijungs darbo metu, esant vienai iš šių įrankio ir (arba) akumuliatoriaus naudojimo sąlygų:

### Žema akumuliatoriaus įtampa:









Likęs akumuliatoriaus įkrovos lygis per žemas, todėl įrankis neveiks. Įjungus įrankį, variklis pradeda veikti, bet netrukus vėl išsijungia. Tokiu atveju išimkite akumuliatorių ir jį įkraukite.

## Likusios akumuliatoriaus galios rodymas

*Tik akumuliatoriaus kasetėms su indikatoriumi*

► Pav.3: 1. Indikatorijų lemputės 2. Tikrinimo mygtukas

Paspauskite akumuliatoriaus kasetės tikrinimo mygtuką, kad būtų rodoma likusi akumuliatoriaus energija. Maždaug trims sekundėms užsidegs indikatorijų lemputės.

Indikatorijų lemputės		Likusi galia
Šviečia	Nešviečia	
		75% - 100%
		50% - 75%
		25% - 50%
		0% - 25%

**PASTABA:** Rodmuo gali šiek tiek skirtis nuo faktinės energijos lygio – tai priklauso nuo naudojimo sąlygų ir aplinkos temperatūros.

## Jungiklio veikimas

**▲PERSPĖJIMAS:** Prieš montuodami akumuliatoriaus kasetę įrankyje, visuomet patikrinkite, ar gaidukas tinkamai veikia ir atleistas grįžta į išjungimo padėtį „OFF“.

Jei norite paleisti įrankį, tiesiog patraukite gaiduką. Norėdami įrankį išjungti, gaiduką atleiskite.

► Pav.4: 1. Gaidukas

## Lemputės uždegimas

**⚠ PERSPĖJIMAS:** Nežiūrėkite tiesiai į šviesą arba šviesos šaltinį.

Jei norite įjungti lempuotę, patraukite gaiduką. Suaktyvinant įrankį, įsijungia lempuotė. Atleiskite jungiklį ir išjunkite lempuotę.

► **Pav.5:** 1. Lempuotė 2. Gaidukas

## SURINKIMAS

**⚠ PERSPĖJIMAS:** Prieš darydami ką nors įrankiui visada patikrinkite, ar įrenginys išjungtas, o akumuliatorių kasetė – nuimta.

## Dulkių išmetimas

**⚠ PERSPĖJIMAS:** Prieš siurblyje susikaupiant per daug dulkių, ištuštinkite jas, nes įsiurbimo galia susilpnės.

**⚠ PERSPĖJIMAS:** Būtinai pašalinkite dulkes iš siurblio vidinės dalies. Jeigu to nepadarysite, gali užsikšti filtras arba gali sugesti variklis.

Norėdami, kad prie filtro prilipusios dulkės nukristų į kapsulę, patapšnokite per kapsulę ranka 4 arba 5 kartus.

► **Pav.6:** 1. Kapsulė 2. Įsiurbimo anga

Nukreipkite įsiurbimo angą žemyn, pasukite kapsulę paveikslėlyje parodytos rodyklės kryptimi ir lėtai tiesiai ištraukite kapsulę.

► **Pav.7:** 1. Kapsulė 2. Įsiurbimo anga

**PASTABA:** Po kapsule būtinai padėkite šiukšlių maišėlį, kadangi atidarant kapsulę gali išsipilti dulkių.

Išvalykite susikaupusias dulkes iš kapsulės vidaus ir priešfiltrą.

► **Pav.8:** 1. Priešfiltras 2. Kapsulė

Sukite priešfiltrą rodyklės kryptimi, kad nuo siurblio bloko atkabintumėte apsauginę briauną, tuomet ištraukite priešfiltrą.

► **Pav.9:** 1. Priešfiltras 2. Apsauginė briauna

Išvalykite smulkias dulkeles iš priešfiltrą. Tada ištraukite filtrą ir švelniai patapšnokite jį, kad pašalintumėte dulkes.

► **Pav.10:** 1. Filtras 2. Priešfiltras

## Sumontavimas

Iki galo įdėkite filtrą į siurblio bloką.

► **Pav.11:** 1. Filtras

**PASTABA:** Patikrinkite, ar filtrą uždėjote tiesiai ir ar jis neatsiknojęs. Jei filtrą uždėsite netinkamai, kaip parodyta paveikslėlyje, į variklio korpusą gali patekti dulkių ir dėl to variklis gali sugesti.

► **Pav.12:** 1. Filtras

Įdėkite priešfiltrą. Šįkart užsukite priešfiltrą taip, kad apsauginė briauna tvirtai užsikisųotų siurblio bloke.

► **Pav.13:** 1. Priešfiltras 2. Apsauginė briauna

► **Pav.14**

Įdėkite kapsulę. Sulyginkite ant kapsulės esantį ženklą su ženklu šalia rankenos, tuomet sukite kapsulę rodyklės kryptimi, kol ji bus saugiai pritvirtinta.

► **Pav.15:** 1. Kapsulė 2. Rankena 3. Ženklas

**PASTABA:** Visuomet iš anksto pašalinkite dulkes, nes jei siurblyje bus per daug dulkių, sumažės įsiurbimo galia.

**PASTABA:** Prieš pradėdami naudoti siurblij, visuomet patikrinkite, ar tinkamai uždėjote filtrą ir priešfiltrą. Jei jie bus uždėti netinkamai, į variklio korpusą pateks dulkių ir dėl to variklis gali sugesti. Filtras ir priešfiltras yra netinkamai uždėti, jei atsitinka toliau nurodytos situacijos. Įdėkite juos iš naujo, kad pašalintumėte problemą.

## Problemų pavyzdžiai

1 pavyzdys: įdėtas tik priešfiltras (neįdėtas filtras)

► **Pav.16:** 1. Priešfiltras

2 pavyzdys: įdėtas tik filtras (neįdėtas priešfiltras)

► **Pav.17:** 1. Filtras

3 pavyzdys: įdėtas filtras yra atsiknojęs

► **Pav.18:** 1. Filtras

4 pavyzdys: priešfiltrą apsauginė briauna nėra tvirtai užfiksuota siurblio korpuso griovelėje

► **Pav.19:** 1. Apsauginė briauna 2. Priešfiltras

3. Siurblio korpuso griovelis

## NAUDOJIMAS

**⚠ PERSPĖJIMAS:** Norėdami prijungti priedus, pavyzdžiui, antgalį, sukite rodyklės kryptimi ir įkiškite priedą, kad jis būtų saugiai prijungtas naudojimo metu. Norėdami atjungti priedus, sukite ir jį ištraukite taip pat rodyklės kryptimi. Jei prijungiant arba atjungiant priedą jis yra sukamas priešinga kryptimi, gali atsilaisvinti kapsulė.

► **Pav.20:** 1. Kapsulė

## Valymas (siurbimas)

### Antgalis

Norėdami išvalyti stalus, suolus, baldus ir t. t., pritvirtinkite antgalį. Antgalį galima lengvai užmauti.

► **Pav.21:** 1. Antgalis

### Antgalis bei ilginamasis vamzdis (tiesus vamzdis)

Ilginamasis vamzdis tvirtinamas prie siurblio ir prie antgalio. Jis yra labai patogus grindims valyti stovint.

► **Pav.22:** 1. Siurblio korpusas 2. Ilginimo lazdelė 3. Antgalis

## Kampinis antgalis

Norėdami valyti kampus ir siaurus automobilio ar baldų plyšius, uždėkite kampinį antgalį.

► **Pav.23:** 1. Kampinis antgalis 2. Siurblio korpusas

## Kampinis antgalis bei ilginamasis vamzdis (tiesus vamzdis)

Siauros vietoms, kur siurblys negali įsisprausti, ar aukštomis vietoms, kur sunku pasiekti, naudokite šį ilginamąjį vamzdį.

► **Pav.24:** 1. Kampinis antgalis 2. Ilginimo lazdelė 3. Siurblio korpusas

## Valymas nenaudojant antgalio

Galite surinkti miltelius ir dulkes nenaudodami antgalio.

► **Pav.25**

## TECHINĖ PRIEŽIŪRA

**▲ PERSPĖJIMAS:** Visuomet įsitikinkite, ar įrankis yra išjungtas ir akumuliatoriaus kasetė yra nuimta prieš atlikdami apžiūrą ir priežiūrą.

## Trikčių šalinimas

Prieš kreipdamiesi dėl remonto, patikrinkite šiuos punktus.

Požymis	Tikrintina sritis	Ištaisymo būdas
Silpna įsiurbimo galia	Ar kapsulė užpildyta dulkių?	Pašalinkite dulkes iš kapsulės.
	Ar neužsikimšęs filtras?	Išvalykite ar išplaukite filtrą.
	Ar išsikrovė akumuliatoriaus kasetė?	Įkraukite akumuliatoriaus kasetę.
Neveikia	Ar išsikrovė akumuliatoriaus kasetė?	Įkraukite akumuliatoriaus kasetę.

**▲ PERSPĖJIMAS:** Nebandykite taisyti siurblio patys.

Kad gaminyt būtų SAUGUS ir PATIKIMAS, jį taisyti, apžiūrėti ar vykdyti bet kokią kitą priežiūrą ar derinimą turi įgaliotasis kompanijos „Makita“ techninės priežiūros centras; reikia naudoti tik kompanijos „Makita“ pagamintas atsargines dalis.

## PASIRENKAMI PRIEDAI

**▲ PERSPĖJIMAS:** Šiuos papildomus priedus arba įtaisus rekomenduojama naudoti su šioje instrukcijoje nurodytu „Makita“ bendrovės įrankiu. Naudojant bet kokius kitus papildomus priedus arba įtaisus, gali kilti pavojus sužeisti žmones. Naudokite tik nurodytam tikslui skirtus papildomus priedus arba įtaisus.

Jeigu norite daugiau sužinoti apie tuos priedus, kreipkitės į artimiausią „Makita“ techninės priežiūros centrą.

- Ilginamasis vamzdis (tiesus vamzdis)
- Antgalis
- Antgalis kilimams valyti
- Šepetėlis lentynoms valyti
- Kampinis antgalis

**PASTABA:** Niekada nenaudokite gazolino, benzino, tirpiklio, spirito arba panašių medžiagų. Gali atsirasti išblukimų, deformacijų arba įtrūkimų.

## Po naudojimo

**PASTABA:** Pastačius siurblių prie sienos be jokios kitos atramos, siurblys gali nukristi ir būti sugadintas.

► **Pav.26**

## Valymas

Retkarčiais nuvalykite siurblio išorę (siurblio korpusą), naudodami muiliname vandenyje sudrėkintą šluostę. Taip pat išvalykite įsiurbimo angą, dulkių maišelio / popierinio filtro tvirtinimo vietą ir dulkių stabdiklį.

► **Pav.27**

Kai filtras užkemšamas dulkėmis ir siurbimo galia sumažėja, išplaukite filtrą muiluotame vandenyje. Prieš naudodami, visiškai jį išdžiovinkite. Jei filtras bus nepakankamai sausas, gali sumažėti įsiurbimo galia ir gali sutrumpėti variklio naudojimo laikas.

► **Pav.28**

- Apvalus šepetėlis
- Lanksti žarna
- Filtras
- Priešfiltris
- Originalus „Makita“ akumuliatorius ir įkroviklis

**PASTABA:** Kai kurie sąrašė esantys priedai gali būti pateikti įrankio pakuotėje kaip standartiniai priedai. Jie įvairiose šalyse gali skirtis.

## HOIATUS

Seda seadet võivad kasutada 8-aastased ja vanemad lapsed ning füüsiliste, sensorsete või vaimsete puuetega või puudulike kogemuste ja teadmistega isikud, juhul kui nad töötavad järelevalve all või kui neid on õpetatud seadet ohutult kasutama ja nad mõistavad seadme kasutamiseiga kaasnevaid ohtusid. Lapsed ei tohi seadmega mängida. Lapsed ei tohi seadet puhastada ega hooldada ilma järelevalveta.

## TEHNILISED ANDMED

Mudel:	CL106FD	
Mahutavus	600 mL	
Pidev kasutamine (akuga BL1015)	Ligik. 16 min	
Üldpikkus	958 mm	
Nimipinge	Alalisvool 10,8 V	
Akukassett	BL 1015, BL 1020B	BL 1040B
Netokaal	1,0 kg	1,1 kg

- Meie pideva uuringu- ja arendusprogrammi tõttu võidakse tehnilisi andmeid muuta ilma sellest ette teatamata.
- Tehnilised andmed ja akukassett võivad riigiti erineda.
- Kaal koos akukassetiga, EPTA-protseduuri 01/2003 kohaselt

## Sümbolid

Alljärgnevalt kirjeldatakse seadmetel kasutatavaid tingimärke. Veenduge, et olete nende tähendusest aru saanud enne seadme kasutamist.



Lugege juhendit.



Ainult Euroopa riigid  
Ärge visake elektriseadmeid ja akusid ära koos majapidamisprüügiga! Kooskõlas Euroopa Parlamendi ja nõukogu direktiividega elektri- ja elektroonikaseadmete jäätmete, patareide ja akude, patarei- ja akujäätmete kohta ning liikmesriikide seadustega tuleb kasutuskõlbmatuks muutunud elektriseadmed ja akud koguda eraldi ning keskkonnasäästlikult ringlusse võtta.

## Kavandatud kasutus

Tööriist on ette nähtud tolmu kogumiseks.

## OHUTUSHOIATUSED

### Juhtmeta tolmuimeja ohutusnõuded

**⚠ HOIATUS: ÄÄRMISELT OLULINE ON ENNE KASUTAMIST** lugeda tähelepanelikult läbi kõik ohutushoiatused ja juhised. Hoiatuste ja juhtnõuete mittejärgmine võib põhjustada elektrišokki, tulekahju ja/või tõsisemaid vigastusi.

1. Ärge jätke vihma kätte. Hoidke siseruumides.
2. Ärge lubage kasutada mänguasjana. Olge tähelepanelik, kui seadet kasutavad lapsed või kasutatakse laste lähedal.
3. Kasutage ainult vastavalt antud kasutusjuhendis toodud juhistele. Kasutage ainult tootja soovitatud lisatarvikuid.
4. Ärge kasutage seadet kahjustatud akuga. Kui seade ei tööta korralikult, on maha kukkunud, kahjustatud, välistingimustesse jäetud või vette kukkunud, viige see remondikeskusse.
5. Ärge käsitsege seadet märgade kätega.
6. Ärge asetage esemeid avadesse. Blokeeritud avade korral ei tohi tolmuimejat kasutada; hoidke puhas tolmu, kiududest, karvadest ja muust, mis võiks blokeerida õhuvoolu.

7. Hoidke juuksed, lahtised riidesemed, sõrmed ja kõik kehaosad avadest ning liikuvatest osadest eemal.
8. Enne aku eemaldamist lülitage kõik juhtseadised väljalülitatud asendisse.
9. Treppide puhastamisel olge eriti ettevaatlik.
10. Ärge imege seadmesse kergestisüttivaid vedelikke (nt bensiin) ega töötage nende läheduses.
11. Kasutage laadimiseks ainult komplektis olevat laadijat.
12. Ärge imege seadmesse põlevaid ega suitsevaid esemeid, nt sigarette, tikke või kuuma tuhka.
13. Ärge kasutage tolmutõrja ega filtriteta.
14. Ärge laadige akut välistingimustes.
15. Kasutage laadimiseks ainult tootja heaks kiidetud laadijat. Üht tüüpi akuga kasutamiseks sobiv laadija võib mõnda teist tüüpi akuga kasutamisel tuua kaasa süttimisohtu.
16. Kasutage elektritööriistu üksnes spetsiaalselt neile toodetud akudega. Muude akude kasutamine võib tekitada tervisekahjustusi või tulekahju.
17. Kui akut ei kasutata, ärge hoidke seda koos muude metalliesemetega, nagu kirjaklambrid, mündid, võtmed, naelad, kruvid jm väiksed metallised, mis võivad tekitada ühenduse klemmide vahel.
18. Väärkasutamise tagajärjel võib akust valguda välja vedelikku; ärge seda puudutage. Kui olete selle vedelikuga siiski kogemata kokku puutunud, uhtke kohta veega.

## HOIDKE JUHEND ALLES.

### OHUTUSE LISAEESKIRJAD

Seade on mõeldud kasutamiseks majapidamistöodes.

1. Lugege enne kasutamist hoolikalt seda kasutusjuhendit ja laadija kasutusjuhendit.
2. Ärge korjake üles järgmisi asju:
  - kuumad asjad, nagu põlevad sigaretid või metalli lihvimise/lõikamise käigus tekkinud kuumad osakesed/metallipuru;
  - tuleohtlikud materjalid, nagu bensiin, lahusti, petrooleum või värv;
  - plahvatusohtlikud materjalid, nagu nitroglütseriin;
  - süttimisohtlikud materjalid, nagu alumiinium, tsink, magneesium, titaan, fosfor või tselluloid;
  - märg praht, vesi, õli vms;
  - teravate servadega kõvad tükid, nagu puulaastud, metallid, kivid, klaas, naelad, klambrid või lõiketerad;
  - kivistuv pulber, nagu tsement või savimuda;
  - elektrit juhtiv tolm, nagu metall või süsinik;
  - peenosakesed, nagu betoonitõlm; selline tegevus võib põhjustada tulekahju, vigastusi ja/või varalist kahju.
3. Kui märkate midagi ebaharilikku, peatage töö viivitamatult.

4. Kui tolmuimeja kukub või saab löögi, kontrollige enne kasutamist hoolikalt, et sellel ei oleks mõrasid ega vigastusi.
5. Hoidke tööriist eemal ahjustest jm kuumusallikatest.
6. Ärge blokeerige sisselaskeava ega ventilatsioonivahendeid.

## HOIDKE JUHEND ALLES.

### Akukassetiga seotud olulised ohutusjuhised

1. Enne akukasseti kasutamist lugege (1) akulaadimise, (2) akut ja (3) seadmel olevad juhtnõupid ja hoiatused läbi.
2. Ärge võtke akukasseti lahti.
3. Kui tööaeg järsult lüheneb, siis lõpetage kohe kasutamine. Edasise kasutamise tulemuseks võib olla ülekuumenemisoht, võimalikud põletused või isegi plahvatust.
4. Kui elektrolüüti satub silma, siis loputage silma puhta veega ja pöörduge koheselt arsti poole. Selline õnnetus võib põhjustada pimedaksjäämist.
5. Ärge tekitage akukassetis lühist:
  - (1) Ärge puutuge klemme elektrijuhtidega.
  - (2) Ärge hoidke akukassetti tööriistakasti koos metalliesemetega, nagu naelad, mündid jne.
  - (3) Ärge tehke akukassetti märjaks ega jätke seda vihma kätte.

Aku lühis võib põhjustada tugevat elektrivoolu, ülekuumenemist, põletusi ning ka seadet tõsiselt kahjustada.

6. Ärge hoidke tööriista ja akukassetti kohtades, kus temperatuur võib tõusta üle 50 °C.
7. Ärge põletage akukassetti isegi siis, kui see on saanud tõsiselt vigastada või on täiesti kulu- nud. Akukassett võib tules plahvatada.
8. Olge ettevaatlik, ärge laske akut maha kukkuda ja vältige lööke.
9. Ärge kasutage kahjustatud akut.
10. Sisalduvatele liitium-ioonakudele võivad kohalduda ohtlike kaupade õigusaktide nõuded. Kaubanduslikul transportimisel, näiteks kolmandate poolte või transpordiettevõtete poolt, tuleb järgida pakendil ja siltidel toodud erinõudeid. Transportimiseks ettevalmistamisel on vajalik pidada nõu ohtliku materjali ekspserdiga. Samuti tuleb järgida võimalike riiklike regulatsioonide üksikasjalikumaid nõudeid. Katke teibiga või varjake avatud kontaktid ja pakendage aku selliselt, et see ei saaks pakendis liikuda.
11. Järgige kasutuskõlbmatuks muutunud aku käitlemisel kohalikke eeskirju.

## HOIDKE JUHEND ALLES.

**⚠ETTEVAATUST:** Kasutage ainult Makita originaalakusid. Mitte Makita originaalakude või muudetud akude kasutamine võib põhjustada akude süttimise, kehavigastuse ja kahjustuse. Samuti muudab see kehtetuks Makita tööriista ja laadija Makita garantii.

## Vihjeid aku maksimaalse kasutaja tagamise kohta

1. Laadige akukassetti enne täielikku tühjenemist. Kui märkate, et tööriist töötab väiksema võimsusega, peatage töö ja laadige akukassetti.
2. Ärge laadige täielikult laetud akukassetti. Ülelaadimine lühendab akude kasutusiga.
3. Laadige akukassetti toatemperatuuril 10 °C - 40 °C. Enne laadimist laske kuumenenud akukassetil maha jahtuda.

## FUNKTSIONAALNE KIRJELDUS

**⚠ETTEVAATUST:** Kandke alati hoolt selle eest, et tööriist oleks enne reguleerimist ja kontrollimist välja lülitatud ja akukassett eemaldatud.

**⚠ETTEVAATUST:** Olge ettevaatlik ja ärge jätke aku paigaldamise ajal sõrme/sõrmi tolmuimeja ja aku vahele, nagu joonisel näidatud. Sõrmede vigastamise oht.

### ► Joon.1

## Akukasseti paigaldamine või eemaldamine

**⚠ETTEVAATUST:** Lülitage tööriist alati enne akukasseti paigaldamist või eemaldamist välja.

**⚠ETTEVAATUST:** Akukasseti paigaldamisel või eemaldamisel tuleb tööriista ja akukassetti kindlalt paigal hoida. Kui tööriista ja akukasseti ei hoita kindlalt paigal, võivad need käest libiseda ning kahjustada tööriista ja akukassetti või põhjustada kehavigastusi.

### ► Joon.2: 1. Punane näidik 2. Nupp 3. Akukassett

Akukasseti eemaldamiseks libistage see tööriista küljest lahti, vajutades kasseti esiküljel paiknevat nuppu alla.

Akukasseti paigaldamiseks joondage akukasseti keel korpuse soonega ja libistage kassett oma kohale. Paigaldage akuadapter alati nii kaugele, et see lukustuks klõpsatusega oma kohale. Kui näete nupu ülaosas punast osa, pole kassett täielikult lukustunud.

**⚠ETTEVAATUST:** Paigaldage akukassett alati täies ulatuses nii, et punast osa ei jääks näha. Muidu võib adapter juhuslikult tööriistast välja kukkuda ning põhjustada teile või läheduses viibivatele isikutele vigastusi.

**⚠ETTEVAATUST:** Ärge rakendage akukasseti paigaldamisel jõudu. Kui kassett ei lähe kergesti sisse, pole see õigesti paigaldatud.

## Aku kaitsesüsteem

Tööriist on varustatud aku kaitsesüsteemiga. Süsteem lülitab mootori automaatselt välja, et pikendada aku tööiga.

Tööriist seiskub käitamise ajal automaatselt, kui tööriista ja/või aku kohta kehtivad järgmised tingimused:

### Madal akupinge:










Järelejäänud aku voolutugevus on liiga väike ja tööriist ei tööta. Tööriista sisse lülitades hakkab mootor tööle, kuid seiskub peatselt. Sellisel juhul eemaldage aku ja laadige seda.

## Aku jääkmahutavuse näit

### Ainult näidikuga akukassettidele

► Joon.3: 1. Märgulambid 2. Kontrollimise nupp

Akukasseti järelejäänud mahutavuse kontrollimiseks vajutage kontrollimise nuppu. Märgulambid süttivad mõneks sekundiks.

Märgulambid		Jääkmahutavus
		
		75–100%
		50–75%
		25–50%
		0–25%

**MÄRKUS:** Näidatud mahutavus võib veidi erineda tegeelikust mahutavusest olenevalt kasutustingimustest ja ümbritseva keskkonna temperatuurist.

## Lüliti funktsioneerimine

**⚠ETTEVAATUST:** Kontrollige alati enne akukasseti tööriista külge paigaldamist, kas lüliti päästik funktsioneerib nõuetekohaselt ja liigub lihtlaskmisel tagasi väljalülitatud asendisse.

Tööriista käivitamiseks on vaja lihtsalt päästiklülitit vajutada. Seiskamiseks vabastage päästiklülitit.

► Joon.4: 1. Lüliti päästik

## Lambi süütamine

**⚠ETTEVAATUST:** Ärge vaadake otse valgusse ega valgusallikat.

Lambi sisselülitamiseks vajutage päästiklülitit. Tööriista käivitamisel lülitub lamp sisse.

Lambi väljalülitamiseks vabastage lüliti.

► Joon.5: 1. Lamp 2. Lüliti päästik

## KOKKUPANEK

**⚠ETTEVAATUST:** Kandke alati hoolt selle eest, et tööriist oleks enne igasuguseid hooldustöid välja lülitatud ja akukassett eemaldatud.

### Tolmu eemaldamine

**⚠ETTEVAATUST:** Tühjendage tolmuimeja enne, kui see liigselt täitub, või enne, kui imemisjõud väheneb.

**⚠ETTEVAATUST:** Puhastage ka tolmuimeja sisemust. Vastasel juhul ummistab tolm filtri või kahjustab mootorit.

Korpuses oleva filtri tolmust puhastamiseks koputage käega ümbrisele 4 kuni 5 korda.

► **Joon.6:** 1. Ümbris 2. Imiava

Suunake imiava alla, keerake ümbrist noolega näidatud suunas ja tõmmake ümbris otsesuunas aeglaselt ära.

► **Joon.7:** 1. Ümbris 2. Imiava

**MÄRKUS:** Asetage ümbrise alla prügikott, kuna ümbrise avamisel võib sellest tulla tolm.

Eemaldage kogunenud tolm ümbrisele ja eelfiltrist.

► **Joon.8:** 1. Eelfilter 2. Ümbris

Pöörake eelfiltrit noole suunas, et vabastada tolmuimeja lukustusäärik ja seejärel tõmmake eelfilter eemale.

► **Joon.9:** 1. Eelfilter 2. Lukustusäärik

Eemaldage peenike tolm eelfiltrist. Seejärel tõmmake filter ära ja koputage seda tolmu eemaldamiseks.

► **Joon.10:** 1. Filter 2. Eelfilter

## Kokkupanek

Paigaldage filter täielikult oma kohale tolmuimejas.

► **Joon.11:** 1. Filter

**TÄHELEPANU:** Paigaldage filter otse, et vältida tagasikoordumist. Kui filter on valesti paigaldatud, nagu joonisel näidatud, koguneb tolm mootori korpusele ja põhjustab mootori rikke.

► **Joon.12:** 1. Filter

Paigaldage eelfilter. Samal ajal pöörake eelfiltrit nii, et lukustusäärik lukustuks kindlalt tolmuimeja korpuse külge.

► **Joon.13:** 1. Eelfilter 2. Lukustusäärik

► **Joon.14**

Paigaldage ümbris. Seadke ümbrise ja käepideme märgised kohakuti ja pöörake kinnitamiseks ümbrist kindlalt noole suunas.

► **Joon.15:** 1. Ümbris 2. Käepide 3. Märgis

**MÄRKUS:** Eemaldage tolmu tihti, sest kui tolmuimejas on palju tolmu, imemisvõime väheneb.

**TÄHELEPANU:** Enne tolmuimeja kasutamist kontrollige alati, kas filter ja eelfilter on õigesti paigaldatud. Kui filtrid on valesti paigaldatud, koguneb tolm mootori korpusele ja põhjustab mootoririkke. Kui tekivad järgmised näited, on filter ja eelfilter valesti paigaldatud. Vea parandamiseks paigaldage filtrid uuesti.

### Probleemi näited

Näide 1. Paigaldatud on ainult eelfilter (filter puudub)

► **Joon.16:** 1. Eelfilter

Näide 2. Paigaldatud on ainult filter (eelfilter puudub)

► **Joon.17:** 1. Filter

Näide 3. Filter on paigaldatud, kuid koordub tagasi

► **Joon.18:** 1. Filter

Näide 4. Eelfiltri lukustusäärik ei ole lukustatud kindlalt tolmuimeja korpuse soonde.

► **Joon.19:** 1. Lukustusäärik 2. Eelfilter 3. Tolmuimeja korpuse soon

## TÖÖRIISTA KASUTAMINE

**⚠ETTEVAATUST:** Lisaseadiste (nt otsaku) ühendamiseks pöörake ja sisestage lisaseadist noole suunas, et kinnitada ühendus kasutamise ajaks. Lisaseadise lahutamiseks pöörake ja eemaldage samuti noolega näidatud suunas. Kui lisaseadist pöörata vastupidises suunas, kinnitatud või kinnitamata olekus, võib ümbris lahti tulla.

► **Joon.20:** 1. Ümbris

### Puhastamine (imemine)

#### Otsak

Laudade, mööbli jm puhastamiseks kinnitage tolmuimejale otsak. Otsak kinnitub lihtsalt.

► **Joon.21:** 1. Otsak

#### Otsak + teleskooptoru (sirge toru)

Teleskooptoru saab paigutada otsaku ja aparaadi vahele. See muudab seistes pööranda puhastamise mugavaks.

► **Joon.22:** 1. Tolmuimeja korpus 2. Pikendustoru 3. Otsak

#### Nurgaotsak

Kinnitage auto või mööbli nurkade ja pragude puhastamiseks nurgaotsak.

► **Joon.23:** 1. Nurgaotsak 2. Tolmuimeja korpus

#### Nurgaotsak + teleskooptoru (sirge toru)

Kasutage seda võimalust piiratud ruumis, kuhu tolmuimeja ei mahu, või kõrgete kohtade puhul, kuhu on raske ulatuda.

► **Joon.24:** 1. Nurgaotsak 2. Pikendustoru 3. Tolmuimeja korpus

## Puhastamine ilma otsakuta

Pulbrit ja tolmu saate koguda ilma otsakuta.

► Joon.25

## HOOLDUS

**⚠ETTEVAATUST:** Enne kontroll- või hooldustoimingute tegemist kandke alati hoolt selle eest, et tööriist oleks välja lülitatud ja akukassett korpuse küljest eemaldatud.

**TÄHELEPANU:** Ärge kunagi kasutage bensiini, vedeldit, alkoholi ega midagi muud sarnast. Selle tulemuseks võib olla luitumine, deformatsioon või pragunemine.

## Pärast kasutamist

**TÄHELEPANU:** Tolmuimeja asetamine vastu seina ilma abitoeta võib põhjustada seadme mahakukkumise ja kahjustumise.

► Joon.26

## Puhastamine

Puhastage tolmuimeja korpuse välispinda aeg-ajalt seebivees niisutatud lapiga.

Puhastage ka imiava, tolmu koti/paberfiltri paigaldamisala ja tolmustopperit.

► Joon.27

Peske filtrit seebivees, kui filter on tolmust ummistunud ja tolmuimeja võimsus langenud. Enne kasutamist laske korralikult kuivada. Halvasti kuivatatud filter vähendab imemisvõimsust ja lühendab mootori eluiga.

► Joon.28

## Törkeotsing

Enne seadme remonti viimist kontrollige järgmisi punkte.

Probleemi kirjeldus	Mida tuleks uurida?	Kuidas parandada?
Nõrk imemisjõud	Kas ümbris on tolmu täis?	Tühjendage ümbris tolmust.
	Kas filter on ummistunud?	Puhastage ja peske filter.
	Kas akukassett on tühi?	Laadige akukassett.
Ei tööta.	Kas akukassett on tühi?	Laadige akukassett.

**⚠ETTEVAATUST:** Ärge püüdke tolmuimejat ise parandada.

Toote OHUTUSE ja TÖÖKINDLUSE tagamiseks tuleb vajalikud remonttööd ning muud hooldus- ja reguleerimistööd lasta teha Makita volitatud teeninduskeskustes või tehase teeninduskeskustes. Alati tuleb kasutada Makita varuosi.

## VALIKULISED TARVIKUD

**⚠ETTEVAATUST:** Neid tarvikuid ja lisaseadiseid on soovitatav kasutada koos Makita tööriistaga, mille kasutamist selles kasutusjuhendis kirjeldatakse. Muude tarvikute ja lisaseadiste kasutamisega kaasneb vigastada saamise oht. Kasutage tarvikuid ja lisaseadiseid ainult otstarbekohaselt.

Saate vajaduse korral kohalikust Makita teeninduskeskusest lisateavet nende tarvikute kohta.

- Teleskooptoru (sirge toru)
- Otsak
- Vaibaotsak
- Riulihari
- Nurgaotsak
- Ümmargune hari
- Elastne voolik
- Filter
- Eelfilter
- Makita algupärane aku ja laadija

**MÄRKUS:** Mõned nimekirjas loetletud tarvikud võivad kuuluda standardvarustusse ning need on lisatud tööriista pakendisse. Need võivad riigiti erineda.

## ОСТОРОЖНО

Данный инструмент могут использовать дети с 8 лет и лица с ограниченными физическими, сенсорными или умственными способностями, а также не имеющие надлежащего опыта и знаний, только в случаях, когда они действуют под руководством или после надлежащего инструктажа по безопасному использованию инструмента и осознают возможные опасности. Не разрешайте детям играть с инструментом. Детям запрещается проводить чистку и обслуживание без контроля со стороны взрослых.

## ТЕХНИЧЕСКИЕ ХАРАКТЕРИСТИКИ

Модель:	CL106FD	
Производительность	600 мл	
Продолжительное использование (с аккумулятором BL1015)	Приблизительно 16 мин	
Общая длина	958 мм	
Номинальное напряжение	10,8 В пост. тока	
Блок аккумулятора	BL 1015, BL 1020B	BL 1040B
Масса нетто	1,0 кг	1,1 кг

- Благодаря нашей постоянно действующей программе исследований и разработок указанные здесь технические характеристики могут быть изменены без предварительного уведомления.
- Технические характеристики и аккумуляторный блок могут отличаться в зависимости от страны.
- Масса (с аккумуляторным блоком) в соответствии с процедурой EPTA 01.2003

## Символы

Ниже приведены символы, используемые для обозначения. Перед использованием убедитесь, что вы понимаете их значение.



Прочитайте руководство по эксплуатации.



Только для стран ЕС  
Не выбрасывайте электрооборудование или аккумуляторы вместе с бытовым мусором! В соответствии с европейскими директивами об утилизации электрического и электронного оборудования, о батареях и аккумуляторах, а также использованных батареях и аккумуляторах и их применении в соответствии с местными законами электрооборудование, батареи и аккумуляторы, срок эксплуатации которых истек, должны утилизироваться отдельно и передаваться для утилизации на предприятие, соответствующее применяемым правилам охраны окружающей среды.

## Назначение

Данный инструмент предназначен для сбора сухой пыли.

## МЕРЫ БЕЗОПАСНОСТИ

### Правила техники безопасности при эксплуатации аккумуляторного пылесоса

**⚠ ОСТОРОЖНО: ВАЖНО! ВНИМАТЕЛЬНО ОЗНАКОМЬТЕСЬ** со всеми инструкциями и рекомендациями по технике безопасности ДО НАЧАЛА РАБОТЫ. Невыполнение инструкций и рекомендаций может привести к поражению электротоком, пожару и/или тяжелым травмам.

1. **Берегите от дождя. Храните в помещении.**
2. **Не позволяйте использовать в качестве игрушки. Если инструмент используют дети или инструмент используется рядом с детьми, соблюдайте особую осторожность.**

3. Используйте только так, как описано в настоящем руководстве. Используйте только принадлежности, рекомендованные производителем.
4. Не используйте с поврежденным аккумулятором. Если инструмент не работает должным образом, был уронен, поврежден, забыт на улице или попал в воду, отнесите его в сервисный центр.
5. Не берите инструмент мокрыми руками.
6. Не помещайте какие-либо предметы в отверстия. Не используйте, если какое-либо отверстие заблокировано. Предотвращайте попадание пыли, пуха, волос и других материалов, способных уменьшить поток воздуха.
7. Держите волосы, свободную одежду, пальцы и другие части тела подальше от отверстий и движущихся деталей.
8. Перед снятием аккумулятора выключите все регуляторы.
9. Проявляйте особую осторожность при чистке на лестницах.
10. Не используйте для сбора огнеопасных или воспламеняющихся жидкостей, например бензина, и не используйте там, где они могут присутствовать.
11. Для зарядки используйте только зарядное устройство, поставляемое производителем.
12. Не собирайте ничего, что горит или дымится, например, окурки, спички или горячий пепел.
13. Не используйте без установленных фильтров и/или пылесборного мешка.
14. Не заряжайте аккумулятор на улице.
15. Заряжайте аккумулятор только зарядным устройством, указанным изготовителем. Зарядное устройство, подходящее для одного типа аккумуляторных блоков, может привести к пожару при его использовании с другим аккумуляторным блоком.
16. Используйте электроинструмент только с указанными аккумуляторными блоками. Использование других аккумуляторных блоков может привести к травме или пожару.
17. Когда аккумуляторный блок не используется, храните его отдельно от металлических предметов, таких как скрепки, монеты, ключи, гвозди, шурупы или другие небольшие металлические предметы, которые могут привести к короткому замыканию контактов аккумуляторного блока.
18. При неправильном обращении из аккумуляторного блока может потечь жидкость. Избегайте контакта с ней. В случае контакта с кожей промойте место контакта обильным количеством воды.

## СОХРАНИТЕ ДАННЫЕ ИНСТРУКЦИИ.

## ДОПОЛНИТЕЛЬНЫЕ ПРАВИЛА ТЕХНИКИ БЕЗОПАСНОСТИ

Этот инструмент предназначен для домашнего использования.

1. Перед использованием внимательно прочитайте это руководство по эксплуатации и руководство по эксплуатации зарядного устройства.
2. Запрещается собирать следующие материалы:
  - горячие материалы (напр., зажженные сигареты) или искры/стружку при шлифовке/резании металла
  - горючие материалы (например, бензин, растворитель, бензол, керосин или краска)
  - взрывоопасные материалы (например, нитроглицерин)
  - воспламеняющиеся материалы (например, алюминий, цинк, магний, титан, фосфор или целлулоид)
  - жидкую грязь, воду, масло и подобные материалы
  - твердые частицы с острыми краями (например, древесные стружки, металлы, камни, стекла, гвозди, штифты или бритвы)
  - пыль от цемента или тонера
  - электропроводящую пыль (например, металлов или угля)
  - тонкодисперсные частицы (например, пыль от бетона)

Подобные действия могут привести к пожару, травмам и/или повреждению имущества.

3. Немедленно прекратите работу, если вы заметили какие-либо отклонения.
4. Тщательно проверьте пылесос перед началом эксплуатации на предмет наличия трещин и повреждений, если вы уронили или ударили его.
5. Не подносите близко к печам и источникам тепла.
6. Не блокируйте входные и вентиляционные отверстия.

## СОХРАНИТЕ ДАННЫЕ ИНСТРУКЦИИ.

### Важные правила техники безопасности для работы с аккумуляторным блоком

1. Перед использованием аккумуляторного блока прочитайте все инструкции и предупреждающие надписи на (1) зарядном устройстве, (2) аккумуляторном блоке и (3) инструменте, работающем от аккумуляторного блока.
2. Не разбирайте аккумуляторный блок.
3. Если время работы аккумуляторного блока значительно сократилось, немедленно прекратите работу. В противном случае, может возникнуть перегрев блока, что приведет к ожогам и даже к взрыву.

4. В случае попадания электролита в глаза промойте их обильным количеством чистой воды и немедленно обратитесь к врачу. Это может привести к потере зрения.

5. Не замыкайте контакты аккумуляторного блока между собой:

- (1) Не прикасайтесь к контактам какими-либо токопроводящими предметами.
- (2) Не храните аккумуляторный блок в контейнере вместе с другими металлическими предметами, такими как гвозди, монеты и т. п.
- (3) Не допускайте попадания на аккумуляторный блок воды или дождя.

Замыкание контактов аккумуляторного блока между собой может привести к возникновению большого тока, перегреву, возможным ожогам и даже поломке блока.

6. Не храните инструмент и аккумуляторный блок в местах, где температура может достигать или превышать 50 °C (122 °F).
7. Не бросайте аккумуляторный блок в огонь, даже если он сильно поврежден или полностью вышел из строя. Аккумуляторный блок может взорваться под действием огня.
8. Не роняйте и не ударяйте аккумуляторный блок.
9. Не используйте поврежденный аккумуляторный блок.
10. Входящие в комплект литий-ионные аккумуляторы должны эксплуатироваться в соответствии с требованиями законодательства об опасных товарах.

При коммерческой транспортировке, например, третьей стороной или экспедитором, необходимо нанести на упаковку специальные предупреждения и маркировку.

В процессе подготовки устройства к отправке обязательно проконсультируйтесь со специалистом по опасным материалам. Также соблюдайте местные требования и нормы. Они могут быть строже.

Закройте или закрепите разомкнутые контакты и упакуйте аккумулятор так, чтобы он не перемещался по упаковке.

11. Выполняйте требования местного законодательства относительно утилизации аккумуляторного блока.

## СОХРАНИТЕ ДАННЫЕ ИНСТРУКЦИИ.

**ВНИМАНИЕ:** Используйте только фирменные аккумуляторные батареи Makita. Использование аккумуляторных батарей, не произведенных Makita, или батарей, которые были подвергнуты модификациям, может привести к взрыву аккумулятора, пожару, травмам и повреждению имущества. Это также автоматически аннулирует гарантию Makita на инструмент и зарядное устройство Makita.

## Советы по обеспечению максимального срока службы аккумулятора

1. Заряжайте блок аккумуляторов перед его полной разрядкой. Обязательно прекратите работу с инструментом и зарядите блок аккумуляторов, если вы заметили снижение мощности инструмента.
2. Никогда не подзаряжайте полностью заряженный блок аккумуляторов. Перезарядка сокращает срок службы аккумулятора.
3. Заряжайте блок аккумуляторов при комнатной температуре в 10 - 40 °C (50 - 104 °F). Перед зарядкой горячего блока аккумуляторов дайте ему остыть.

## ОПИСАНИЕ РАБОТЫ

**ВНИМАНИЕ:** Перед регулировкой или проверкой функций инструмента обязательно убедитесь, что он выключен и его аккумуляторный блок снят.

**ВНИМАНИЕ:** Соблюдайте осторожность, чтобы при установке аккумулятора не защемить пальцы между пылесосом и аккумулятором, как показано на рисунке. Защемление пальцев может привести к травме.

► Рис.1

## Установка или снятие блока аккумуляторов

**ВНИМАНИЕ:** Обязательно выключайте инструмент перед установкой и извлечением аккумуляторного блока.

**ВНИМАНИЕ:** При установке и извлечении аккумуляторного блока крепко удерживайте инструмент и аккумуляторный блок. Если не соблюдать это требование, они могут выскользнуть из рук, что приведет к повреждению инструмента, аккумуляторного блока и травмированию оператора.

► Рис.2: 1. Красный индикатор 2. Кнопка 3. Блок аккумулятора

Для снятия аккумуляторного блока нажмите кнопку на лицевой стороне и извлеките блок.

Для установки аккумуляторного блока совместите выступ аккумуляторного блока с пазом в корпусе и задвиньте его на место. Устанавливайте блок до упора так, чтобы он зафиксировался на месте с небольшим щелчком. Если вы можете видеть красный индикатор на верхней части клавиши, адаптер аккумулятора не полностью установлен на месте.

**⚠ВНИМАНИЕ:** Обязательно устанавливайте аккумуляторный блок до конца, чтобы красный индикатор не был виден. В противном случае аккумуляторный блок может выпасть из инструмента и нанести травму вам или другим людям.

**⚠ВНИМАНИЕ:** Не прилагайте чрезмерных усилий при установке аккумуляторного блока. Если блок не двигается свободно, значит он вставлен неправильно.

## Система защиты аккумулятора

На инструменте предусмотрена система защиты аккумулятора. Она автоматически отключает питание двигателя для продления срока службы аккумулятора.

Инструмент автоматически остановится во время работы при возникновении указанных ниже ситуаций, влияющих на инструмент и/или аккумулятор:

**Низкое напряжение аккумуляторной батареи:** Уровень оставшейся емкости аккумулятора слишком низкий, и инструмент не работает. При включении инструмента электродвигатель запускается и вскоре останавливается. В этом случае снимите и зарядите аккумулятор.

## Индикация оставшегося заряда аккумулятора

Только для блоков аккумулятора с индикатором

► Рис.3: 1. Индикаторы 2. Кнопка проверки

Нажмите кнопку проверки на аккумуляторном блоке для проверки заряда. Индикаторы загорятся на несколько секунд.

Индикаторы		Уровень заряда
Горит	Выкл.	
■ ■ ■ ■	□	от 75 до 100%
■ ■ ■ □	□	от 50 до 75%
■ ■ □ □	□ □	от 25 до 50%
■ □ □ □	□ □ □ □	от 0 до 25%

**ПРИМЕЧАНИЕ:** В зависимости от условий эксплуатации и температуры окружающего воздуха индикация может незначительно отличаться от фактического значения.

## Действие выключателя

**⚠ВНИМАНИЕ:** Перед установкой аккумуляторного блока в инструмент обязательно убедитесь, что его триггерный переключатель нормально работает и возвращается в положение "OFF" (ВЫКЛ) при отпускании.

Для запуска инструмента просто нажмите на триггерный переключатель. Отпустите триггерный переключатель для остановки.

► Рис.4: 1. Триггерный переключатель

## Включение лампы

**⚠ВНИМАНИЕ:** Не смотрите непосредственно на свет или источник света.

Для включения лампы потяните триггерный переключатель. При включении инструмента загорается световой индикатор.

Нажмите на выключатель для отключения подсветки.

► Рис.5: 1. Лампа 2. Триггерный переключатель

## СБОРКА

**⚠ВНИМАНИЕ:** Перед проведением каких-либо работ с инструментом обязательно убедитесь, что инструмент отключен, а блок аккумулятора снят.

## Удаление пыли

**⚠ВНИМАНИЕ:** Опорожните пылесос до того, как он заполнится, или сила всасывания уменьшится.

**⚠ВНИМАНИЕ:** Обязательно удалите пыль с внутренних поверхностей пылесоса. Невыполнение этого условия может привести загрязнению фильтра или к повреждению мотора.

Чтобы стряхнуть грязь, налипшую на фильтр, постучите рукой по фильтру 4 - 5 раз.

► Рис.6: 1. Контейнер 2. Впускное отверстие всасывания

Переверните всасывающим отверстием вниз, поверните контейнер по стрелке и отсоедините контейнер, осторожно потянув в прямом направлении, как показано стрелкой на рисунке.

► Рис.7: 1. Контейнер 2. Впускное отверстие всасывания

**ПРИМЕЧАНИЕ:** Обязательно положите мешок для мусора под контейнером, так как при его открывании может высыпаться пыль.

Удалите скопившуюся пыль из контейнера и из фильтра предварительной очистки.

► Рис.8: 1. Фильтр предварительной очистки 2. Контейнер

Поверните фильтр предварительной очистки по стрелке, чтобы вывести из зацепления фиксирующий буртик, и снимите фильтр.

► Рис.9: 1. Фильтр предварительной очистки 2. Фиксирующий буртик

Удалите мелкую пыль из фильтра предварительной очистки. Затем снимите фильтр и осторожно постучите по нему, чтобы удалить пыль.

- **Рис.10:** 1. Фильтр 2. Фильтр предварительной очистки

## Сборка

Установите фильтр в пылесос до упора.

- **Рис.11:** 1. Фильтр

**ПРИМЕЧАНИЕ:** Убедитесь, что фильтр установлен прямо и не завернулся. Если фильтр установлен неправильно (как показано на рисунке), пыль попадет в корпус двигателя и станет причиной его поломки.

- **Рис.12:** 1. Фильтр

Установите фильтр предварительной очистки. При этом поверните фильтр предварительной очистки так, чтобы фиксирующий буртик плотно вошел в зацепление с пылесосом.

- **Рис.13:** 1. Фильтр предварительной очистки  
2. Фиксирующий буртик

- **Рис.14**

Установите контейнер. Совместите метку на контейнере с меткой возле рукоятки, затем уверенно поверните контейнер по стрелке до фиксации.

- **Рис.15:** 1. Контейнер 2. Ручка 3. Метка

**ПРИМЕЧАНИЕ:** Обязательно заблаговременно удалите пыль, так как сила всасывания снижается, если в пылесосе скопилось много пыли.

**ПРИМЕЧАНИЕ:** Перед включением пылесоса обязательно проверяйте правильность установки предварительного и основного фильтра. Если они установлены неправильно, пыль попадет в корпус мотора и станет причиной его поломки. Возникновение приведенных ниже ситуаций означает, что предварительный и основной фильтры установлены неправильно. Чтобы устранить проблему, установите их правильно.

## Примеры проблем

Пример 1: Установлен только фильтр предварительной очистки (без основного фильтра)

- **Рис.16:** 1. Фильтр предварительной очистки

Пример 2: Установлен только основной фильтр (без фильтра предварительной очистки)

- **Рис.17:** 1. Фильтр

Пример 3: Фильтр при установке завернулся

- **Рис.18:** 1. Фильтр

Пример 4: Фиксирующий буртик на фильтре предварительной очистки не зафиксирован на корпусе пылесоса

- **Рис.19:** 1. Фиксирующий буртик 2. Фильтр предварительной очистки 3. Паз в корпусе пылесоса

## ЭКСПЛУАТАЦИЯ

**ВНИМАНИЕ:** Для подсоединения дополнительного оборудования, например насадок, поверните и вставьте насадку по стрелке, чтобы обеспечить надежное крепление во время работы. Чтобы отсоединить насадку, поверните и извлеките по стрелке. Если при установке или снятии повернуть насадку в другую сторону, контейнер может отсоединиться.

- **Рис.20:** 1. Контейнер

## Чистка (всасывание)

### Насадка

Прикрепите насадку для чистки столов, письменных столов, мебели и т. д. Насадка легко скользит.

- **Рис.21:** 1. Насадка

### Насадка + удлиняющая труба (прямая труба)

Удлиняющая труба вставляется между насадкой и самим пылесосом. С помощью такого приспособления удобно чистить полы стоя.

- **Рис.22:** 1. Корпус пылесоса 2. Удлиняющая труба 3. Насадка

### Угловая насадка

Прикрепите угловую насадку для чистки углов и щелей автомобилей или мебели.

- **Рис.23:** 1. Угловая насадка 2. Корпус пылесоса

### Угловая насадка + удлиняющая труба (прямая труба)

Используйте это приспособление в тесных углах, где невозможно поместить сам пылесос, или в труднодоступных высоких местах.

- **Рис.24:** 1. Угловая насадка 2. Удлиняющая труба 3. Корпус пылесоса

### Чистка без насадки

Мелкие частицы и пыль можно собирать без насадки.

- **Рис.25**

## ОБСЛУЖИВАНИЕ

**ВНИМАНИЕ:** Перед проведением проверки или работ по техобслуживанию всегда проверяйте, что инструмент выключен, а блок аккумуляторов снят.

**ПРИМЕЧАНИЕ:** Запрещается использовать бензин, растворители, спирт и другие подобные жидкости. Это может привести к обесцвечиванию, деформации и трещинам.

## После использования

**ПРИМЕЧАНИЕ:** Если прислонить пылесос к стене без дополнительных опор, он упадет и будет поврежден.

► Рис.26

## Очистка

Время от времени протирайте внешнюю часть (корпус) пылесоса с помощью тряпки, смоченной мыльной водой.

Также очищайте всасывающее отверстие, область крепления пылесборного мешка/бумажного фильтра и заглушку для пыли.

► Рис.27

Когда в фильтре скопится пыль и мощность пылесоса уменьшится, промойте фильтр в мыльной воде. Тщательно высушите его перед использованием.

Неполностью высушенный фильтр может привести к плохому всасыванию и уменьшить срок службы мотора.

► Рис.28

## Устранение неполадок

Перед ремонтом проверьте следующее.

Признак	Что проверить	Способ крепления
Недостаточная сила всасывания	Контейнер заполнен пылью?	Опорожните контейнер.
	Фильтр засорен?	Очистите или вымойте фильтр.
	Недостаточный заряд блока аккумулятора?	Зарядите блок аккумулятора.
Не работает	Недостаточный заряд блока аккумулятора?	Зарядите блок аккумулятора.

**ВНИМАНИЕ:** Не пытайтесь ремонтировать пылесос самостоятельно.

Для обеспечения БЕЗОПАСНОСТИ и НАДЕЖНОСТИ оборудования ремонт, любое другое техобслуживание или регулировку необходимо производить в уполномоченных сервис-центрах Makita или сервис-центрах предприятия с использованием только сменных частей производства Makita.

## ДОПОЛНИТЕЛЬНЫЕ ПРИНАДЛЕЖНОСТИ

**ВНИМАНИЕ:** Данные принадлежности или приспособления рекомендуются для использования с инструментом Makita, указанным в настоящем руководстве. Использование других принадлежностей или приспособлений может привести к получению травмы. Используйте принадлежность или приспособление только по указанному назначению.

Если вам необходимо содействие в получении дополнительной информации по этим принадлежностям, свяжитесь с вашим сервис-центром Makita.

- Удлиняющая труба (прямая труба)
- Насадка
- Насадка для чистки ковра
- Щетка для чистки полок
- Угловая насадка
- Круглая щетка
- Гибкий шланг
- Фильтр
- Фильтр предварительной очистки
- Оригинальный аккумулятор и зарядное устройство Makita

**ПРИМЕЧАНИЕ:** Некоторые элементы списка могут входить в комплект инструмента в качестве стандартных приспособлений. Они могут отличаться в зависимости от страны.





**Makita Europe N.V.** Jan-Baptist Vinkstraat 2,  
3070 Kortenberg, Belgium

**Makita Corporation** 3-11-8, Sumiyoshi-cho,  
Anjo, Aichi 446-8502 Japan

[www.makita.com](http://www.makita.com)

885525A988 EN, SV, NO, FI, LV, LT, ET, RU 20160706
---