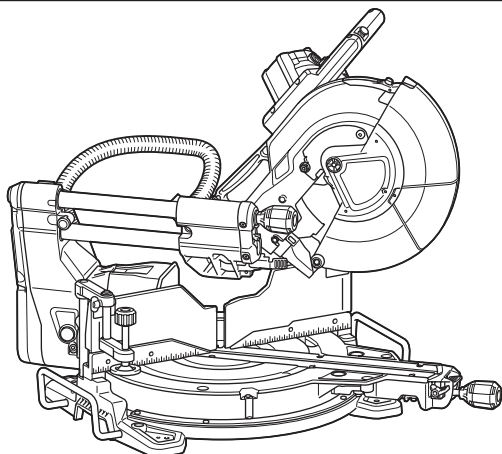




EN	Slide Compound Miter Saw	INSTRUCTION MANUAL	15
SV	Skjutbar kap- och geringskombinationssåg	BRUKSANVISNING	31
NO	Skyvbar gjærings-sag for kombinasjonssaging	BRUKSANVISNING	47
FI	Katkaisu- ja jiirisaha	KÄYTTÖOHJE	63
LV	Slīdrāmja kombinētais leņķzāģis	LIETOŠANAS INSTRUKCIJA	79
LT	Kombinuotas nuleidžiamas skersavimo ir kampų suleidimo pjūklas	NAUDOJIMO INSTRUKCIJA	96
ET	Liuglõike eerungisaag	KASUTUSJUHEND	113
RU	Торцовочная пила консольного типа	РУКОВОДСТВО ПО ЭКСПЛУАТАЦИИ	129

LS1219
LS1219L



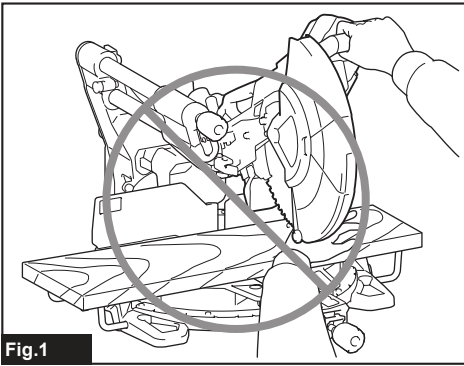


Fig.1

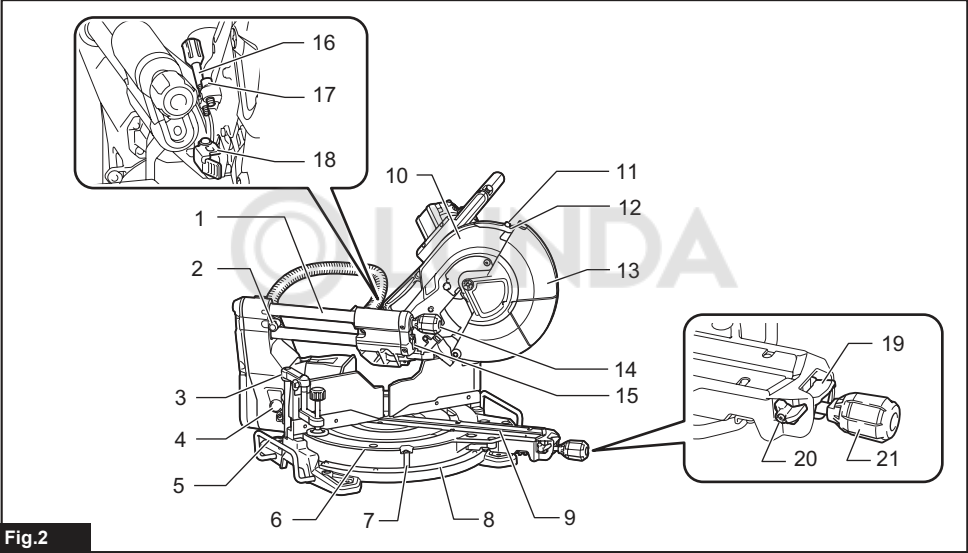
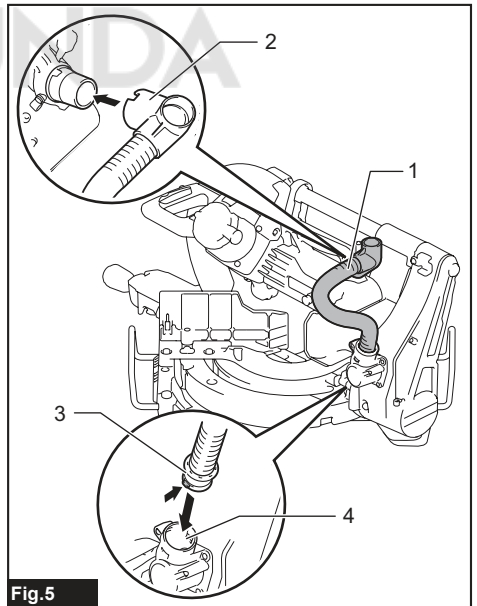
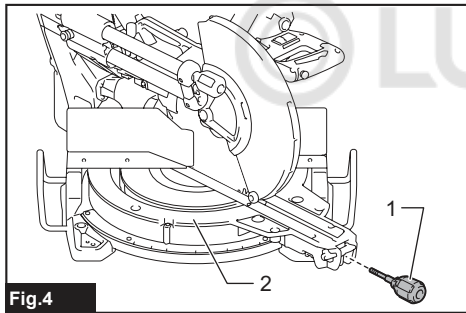
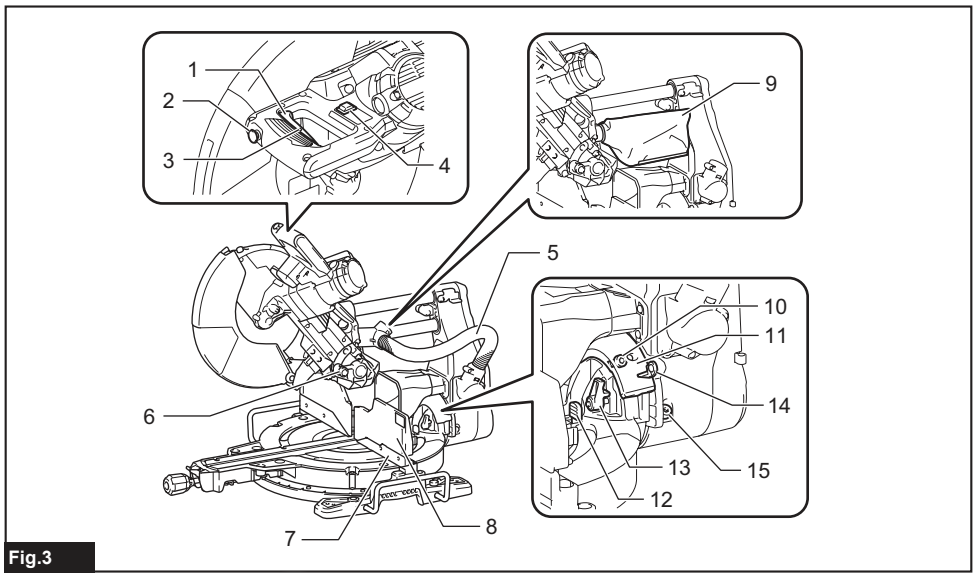


Fig.2



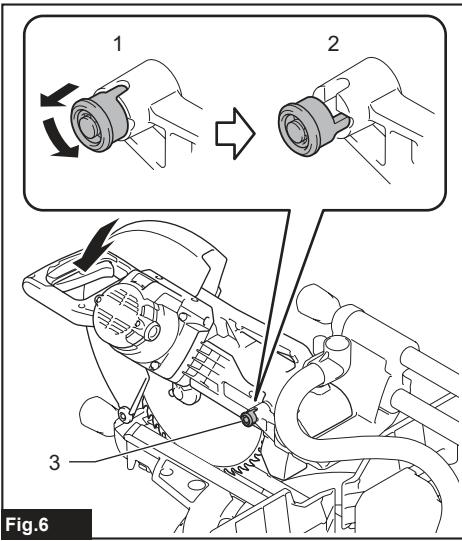


Fig.6

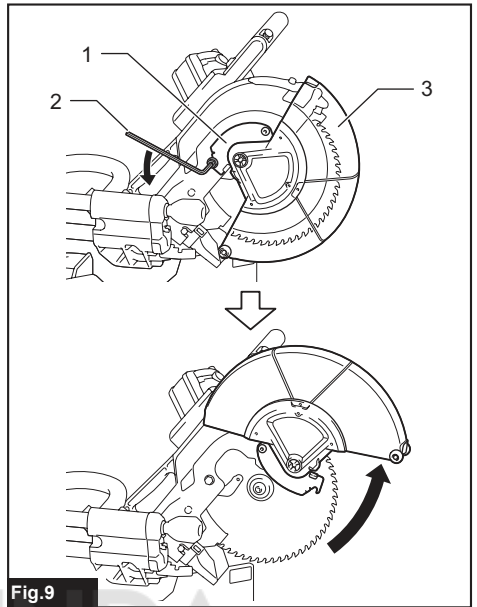


Fig.9

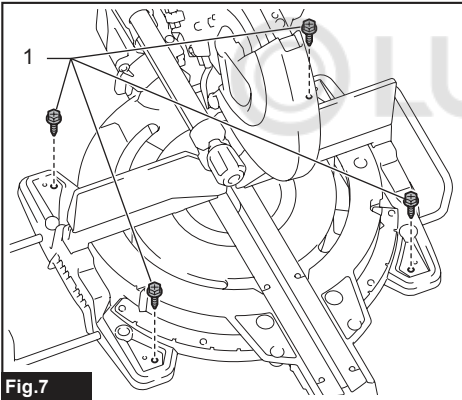


Fig.7

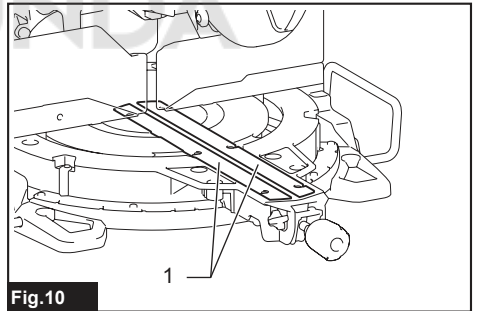


Fig.10

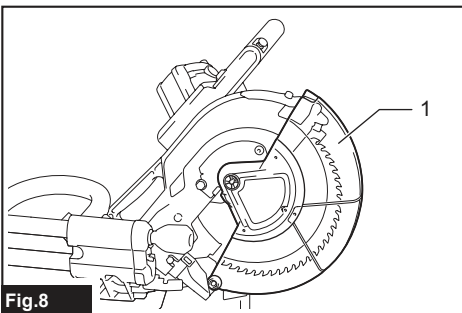


Fig.8

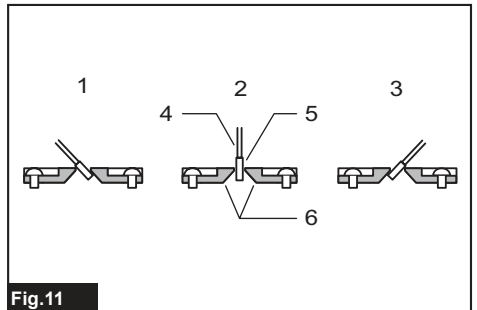


Fig.11

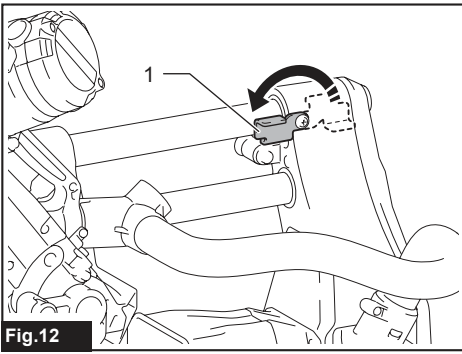


Fig. 12

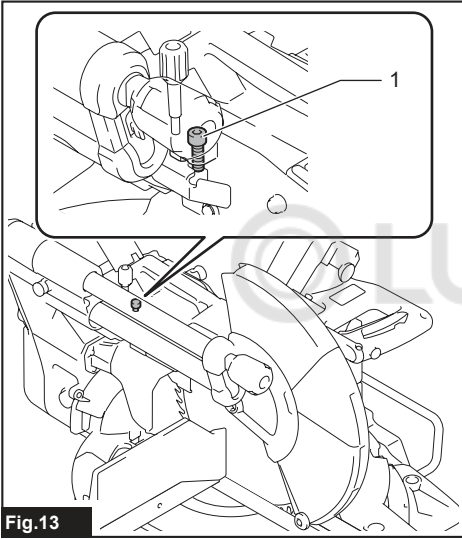


Fig. 13

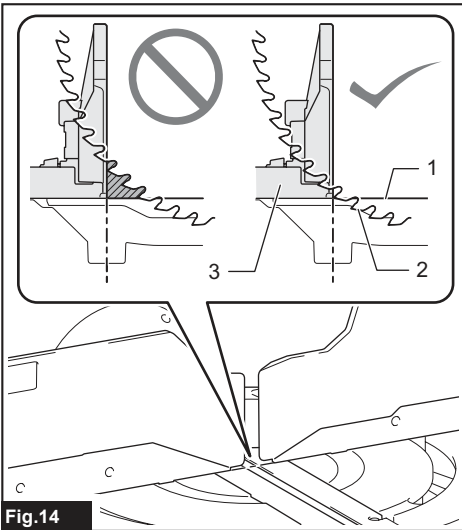


Fig. 14

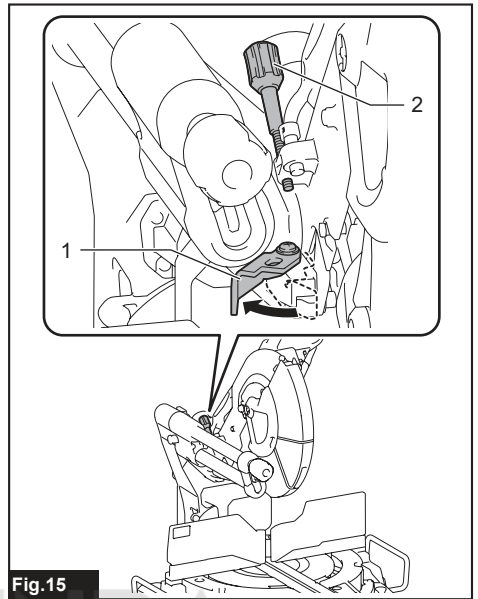


Fig. 15

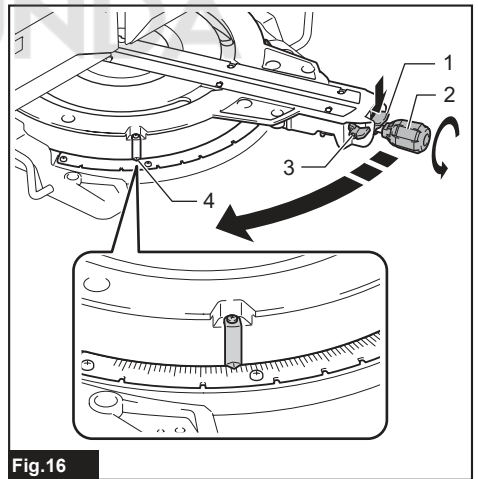


Fig. 16

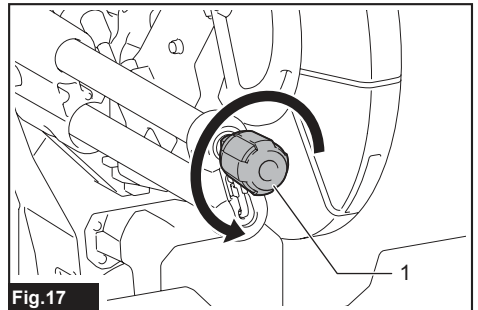


Fig. 17

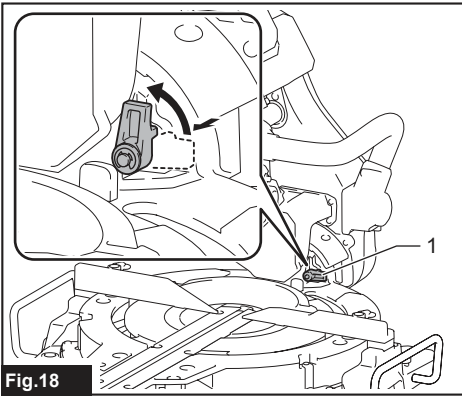


Fig.18

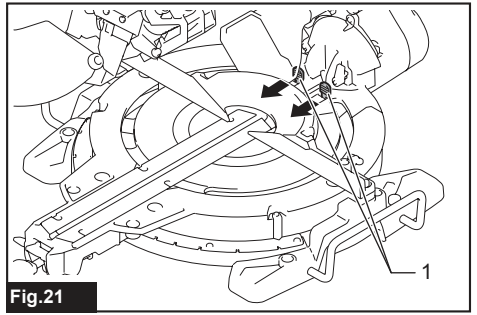


Fig.21

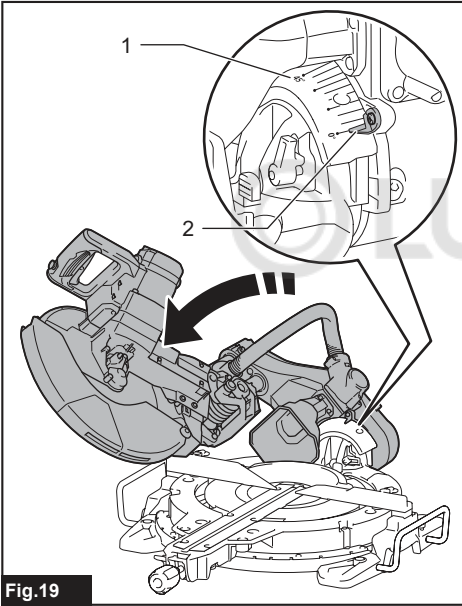


Fig.19

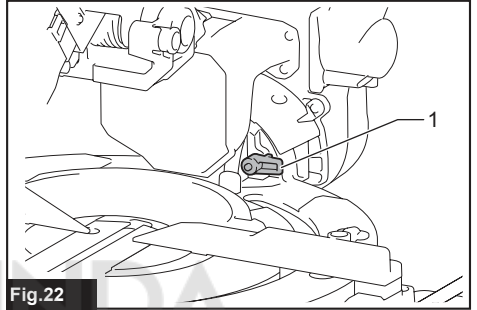


Fig.22

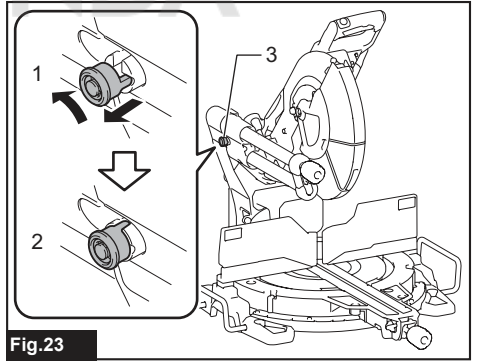


Fig.23

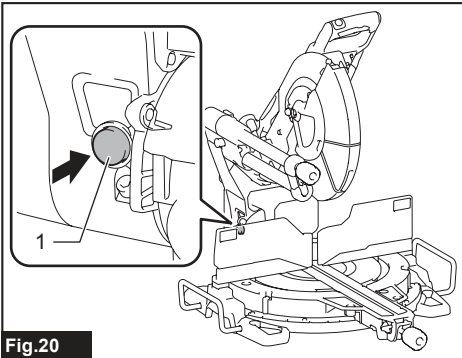


Fig.20

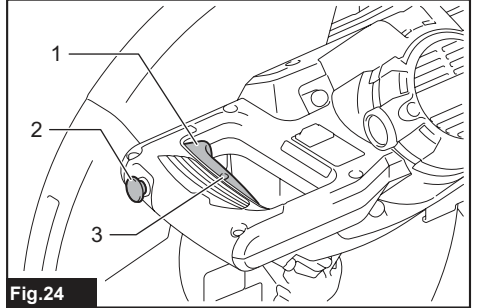


Fig.24

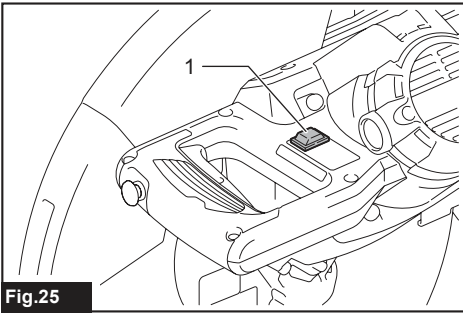


Fig.25

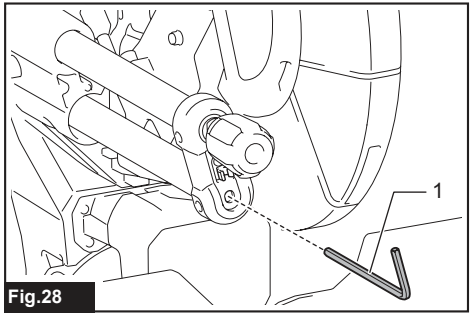


Fig.28

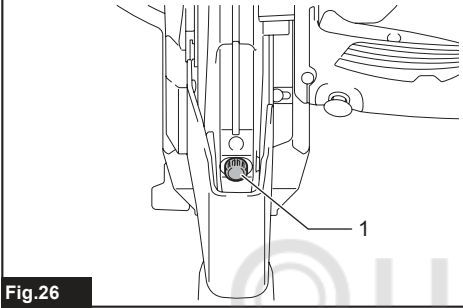


Fig.26

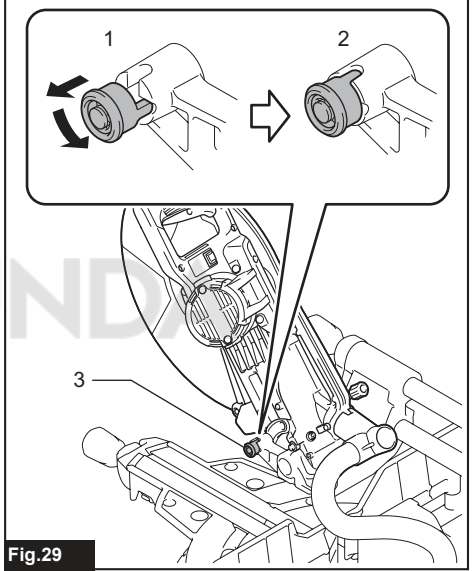


Fig.29

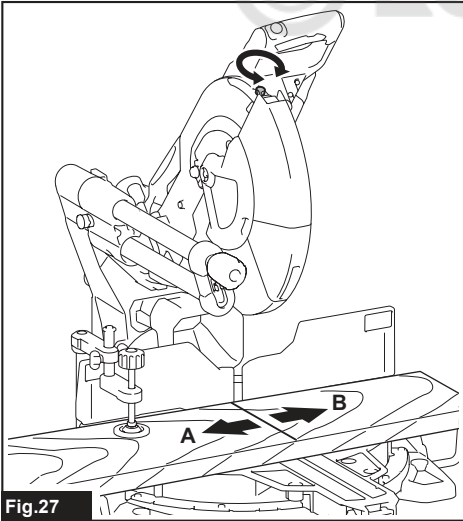


Fig.27

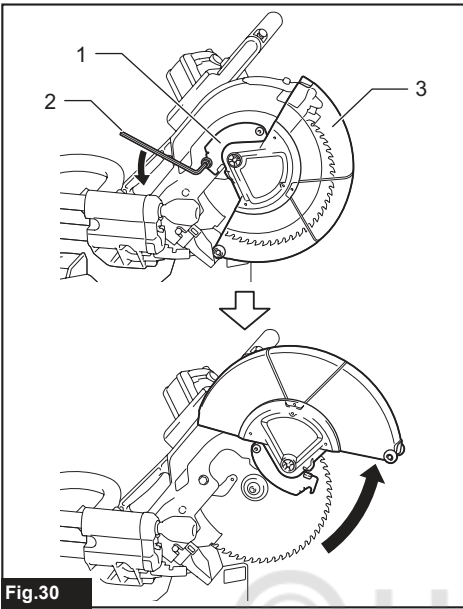


Fig.30

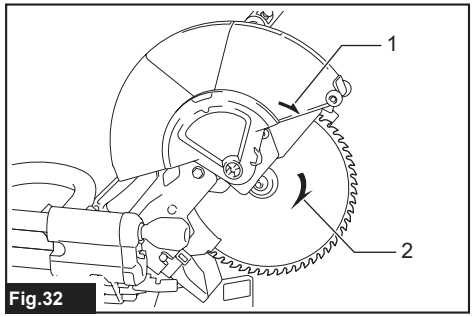


Fig.32

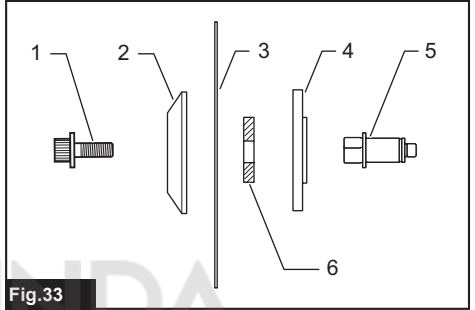


Fig.33

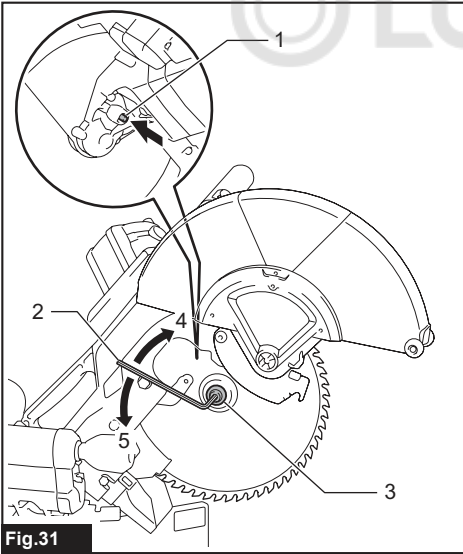


Fig.31

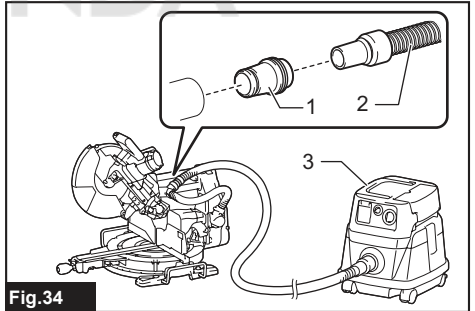


Fig.34

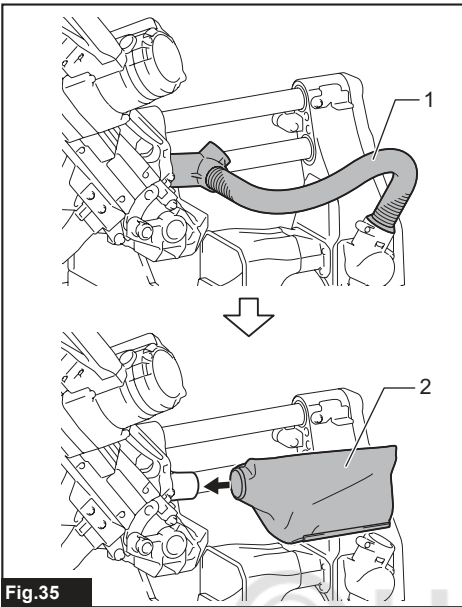


Fig. 35

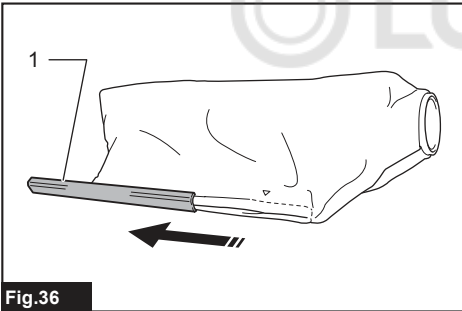


Fig. 36

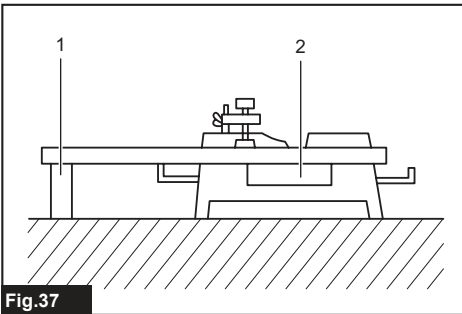


Fig. 37

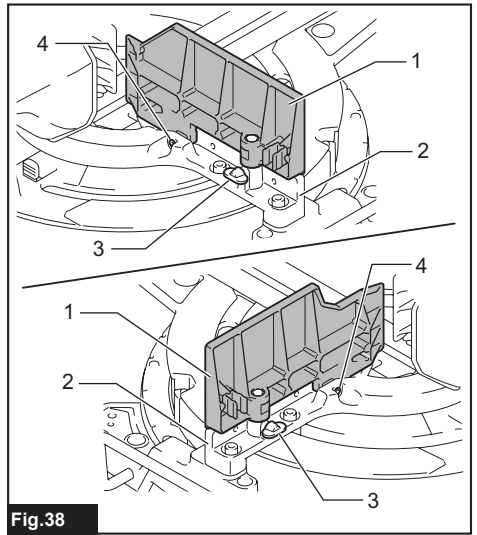


Fig. 38

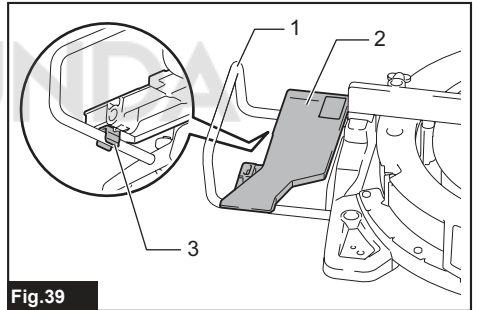


Fig. 39

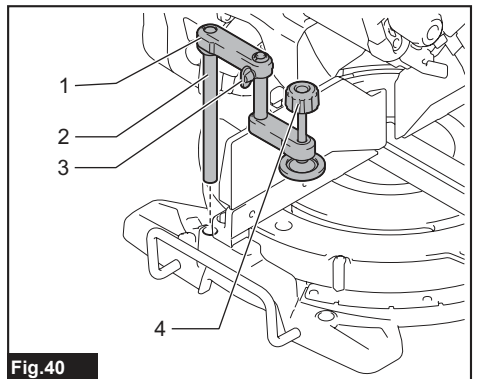
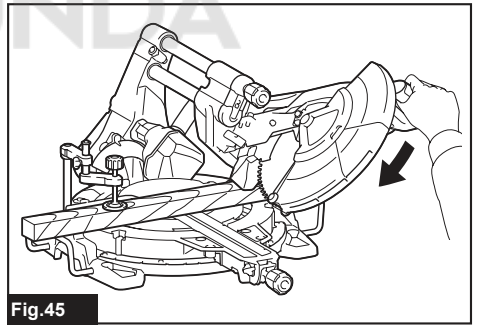
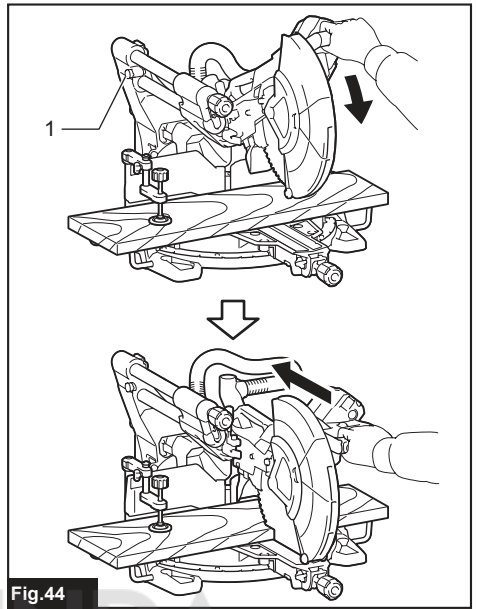
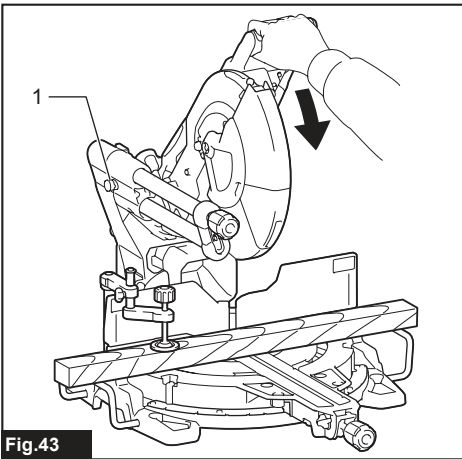
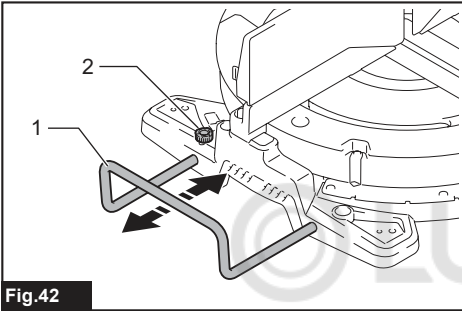
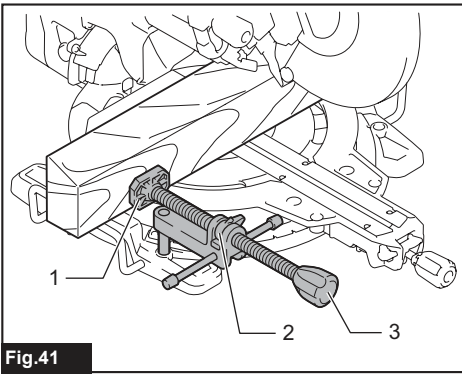


Fig. 40



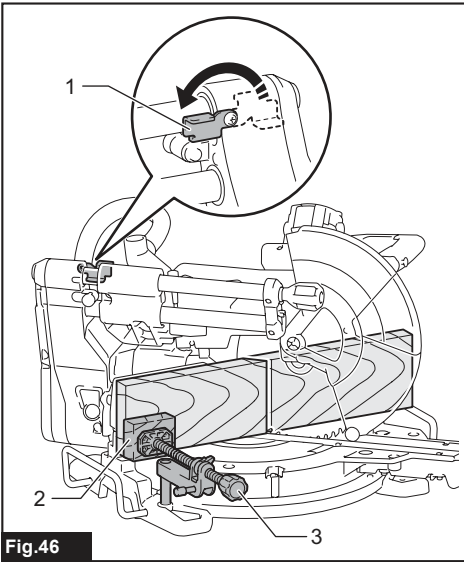


Fig.46

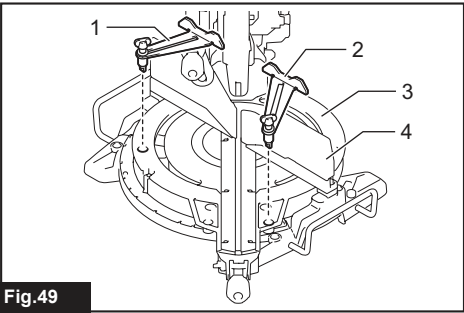


Fig.49

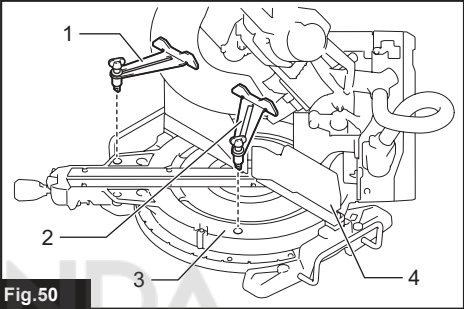


Fig.50

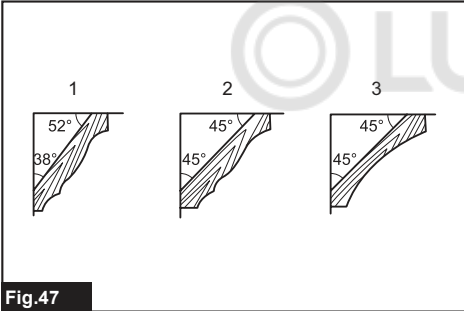


Fig.47

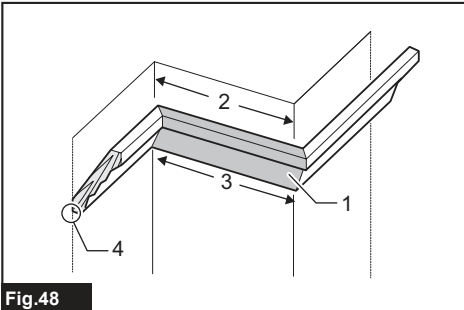


Fig.48

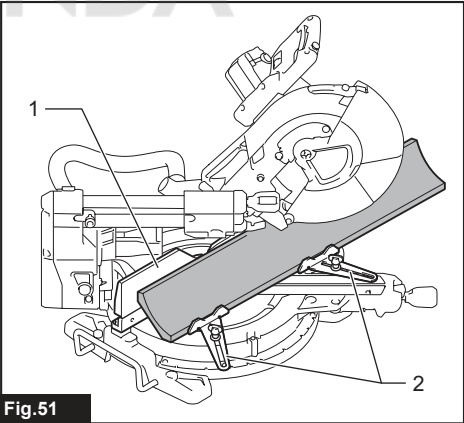


Fig.51

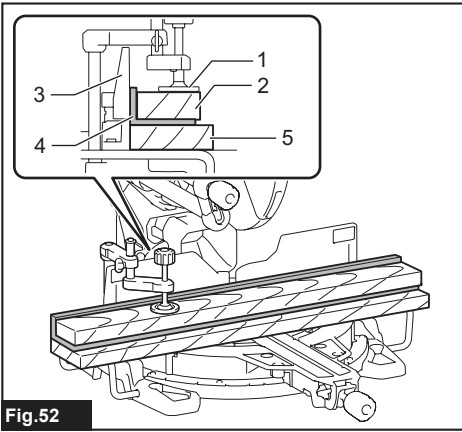


Fig. 52

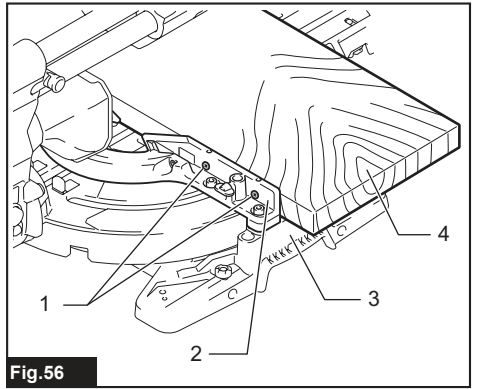


Fig. 56

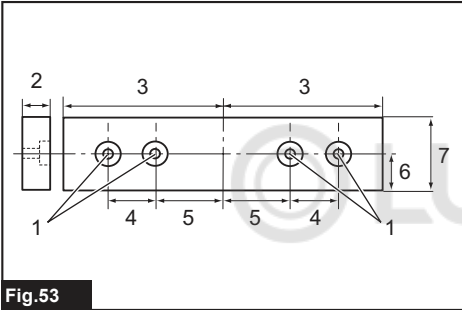


Fig. 53

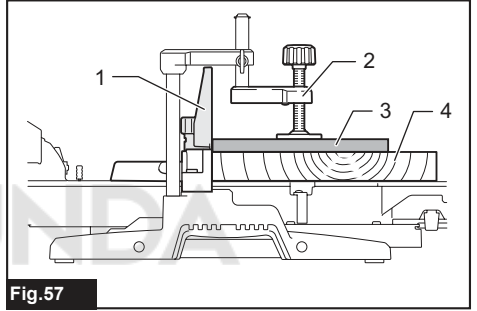


Fig. 57

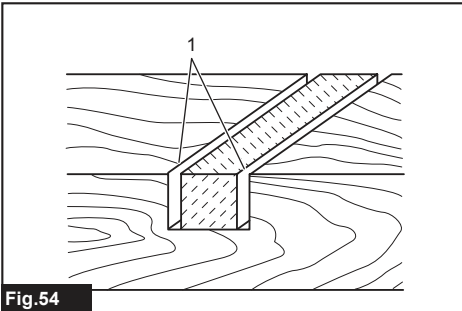


Fig. 54

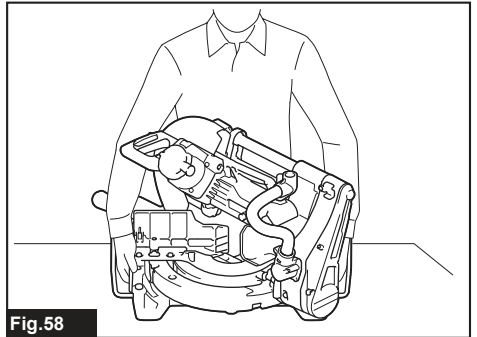


Fig. 58

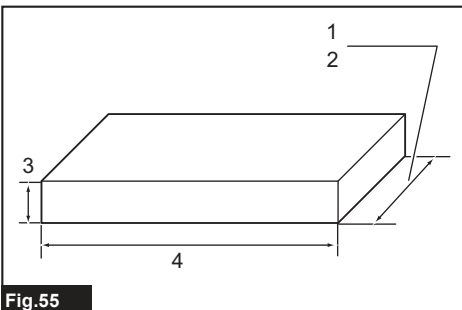


Fig. 55

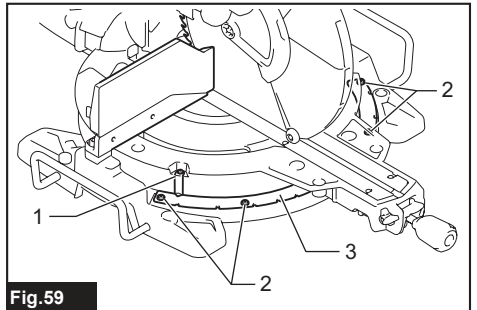


Fig. 59

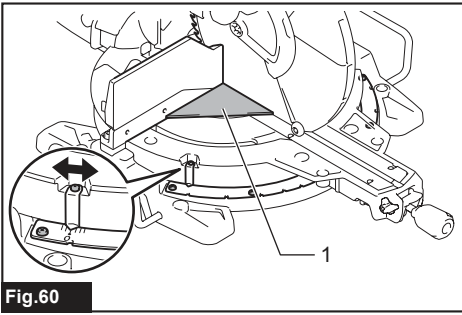


Fig.60

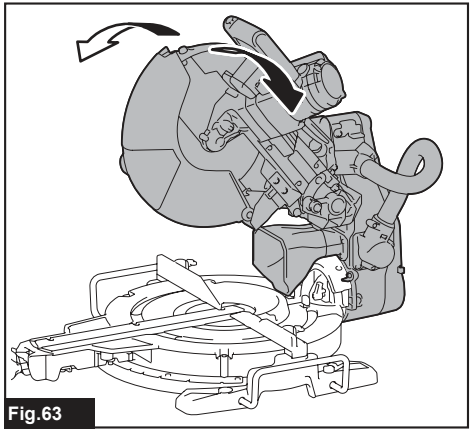


Fig.63

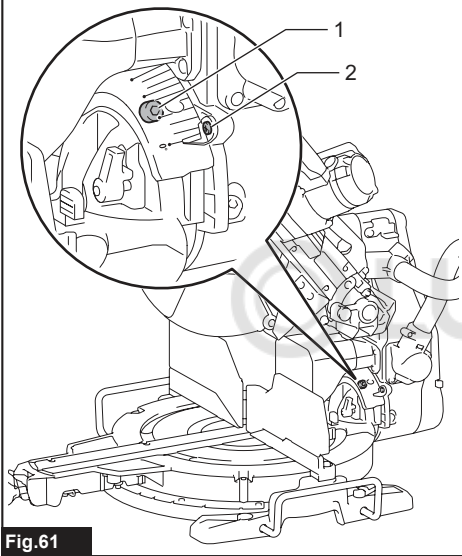


Fig.61

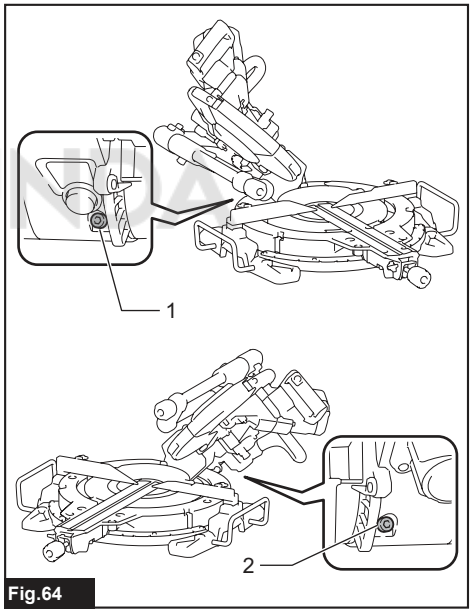


Fig.64

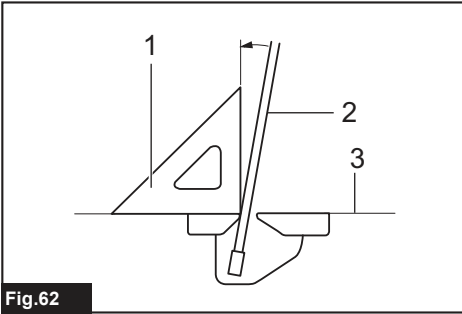


Fig.62

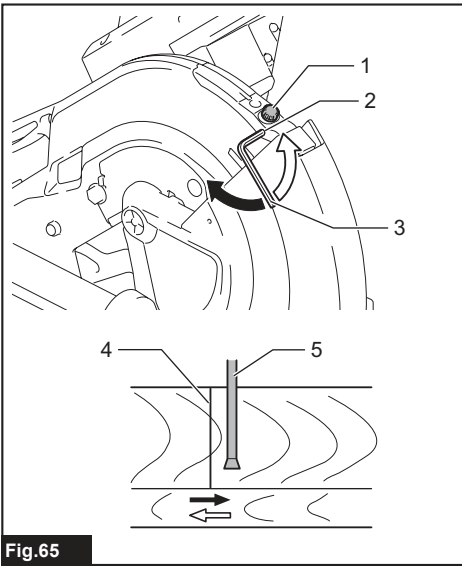


Fig.65

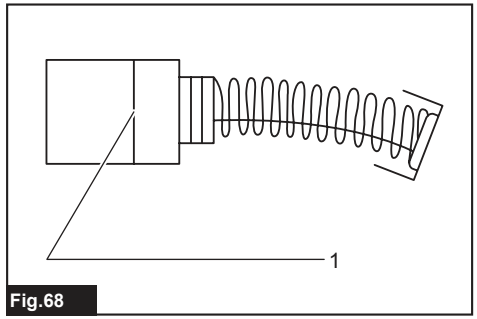


Fig.68

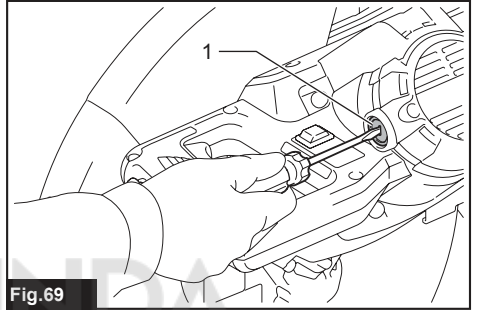


Fig.69

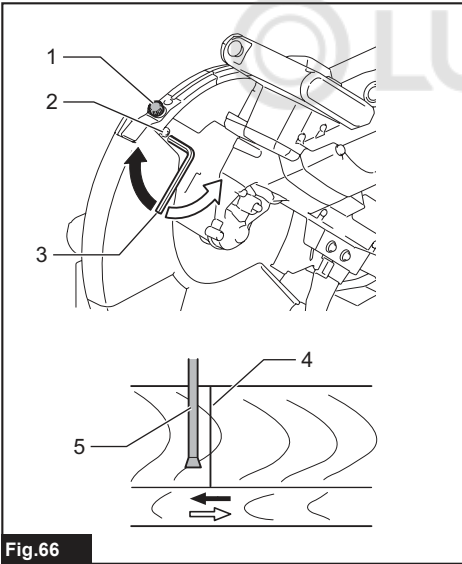


Fig.66

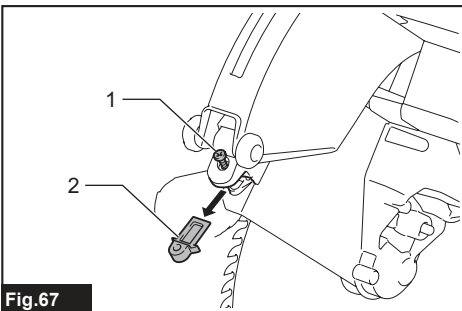


Fig.67

SPECIFICATIONS

Model:		LS1219	LS1219L
Blade diameter		305 mm	
Hole diameter	European countries	30 mm	
	Countries other than Europe	25.4 mm	
Max. kerf thickness of the saw blade		3.2 mm	
Max. miter angle		Right 60°, Left 60°	
Max. bevel angle		Right 48°, Left 48°	
No load speed (RPM)		3,200 min ⁻¹	
Laser type		-	Red Laser 650 nm, Maximum output < 1.6mW (Laser Class 2M)
Dimensions (L x W x H)		898 mm x 664 mm x 725 mm	
Net weight		29.3 kg	29.5 kg
Safety class		□/II	

Cutting capacities (H x W)

Miter angle			Bevel angle		
			45° (left)	0°	45° (right)
0°	-	-	61 mm x 382 mm 71 mm x 363mm	92 mm x 382 mm 107 mm x 363 mm	44 mm x 382 mm 54 mm x 363 mm
	Thickness of wood facing on guide fence for increased height of cut	20 mm	78 mm x 325 mm	115 mm x 325mm	61 mm x 325 mm
38 mm		80 mm x 292 mm	120 mm x 292 mm	-	
45° (right and left)	-	-	61 mm x 268 mm 71 mm x 255 mm	92 mm x 268 mm 107 mm x 255 mm	44 mm x 268 mm 54 mm x 255 mm
	Thickness of wood facing on guide fence for increased height of cut	15 mm	-	115 mm x 227 mm	-
25 mm		-	120 mm x 212 mm	-	
60° (right and left)	-	-	-	92 mm x 185 mm 107 mm x 178 mm	-
	Thickness of wood facing on guide fence for increased height of cut	15 mm	-	115 mm x 155 mm	-
25 mm		-	120 mm x 140 mm	-	

Cutting capacities for special cuttings

Type of cutting	Cutting capacity
Crown molding 45° type (with crown molding stopper used)	203 mm
Base board (with horizontal vise used)	171 mm

- Due to our continuing program of research and development, the specifications herein are subject to change without notice.
- Specifications may differ from country to country.
- Weight according to EPTA-Procedure 01/2014

Symbols

The following show the symbols used for the equipment. Be sure that you understand their meaning before use.



Read instruction manual.



DOUBLE INSULATION



To avoid injury from flying debris, keep holding the saw head down, after making cuts, until the blade has come to a complete stop.



When performing slide cut, first pull carriage fully and press down handle, then push carriage toward the guide fence.



Do not place hand or fingers close to the blade.



Never look into the laser beam. Direct laser beam may injure your eyes.



Only for EU countries
Do not dispose of electric equipment together with household waste material! In observance of the European Directive, on Waste Electric and Electronic Equipment and its implementation in accordance with national law, electric equipment that have reached the end of their life must be collected separately and returned to an environmentally compatible recycling facility.

Intended use

The tool is intended for accurate straight and miter cutting in wood. With appropriate saw blades, aluminum can also be sawed.

Power supply

The tool should be connected only to a power supply of the same voltage as indicated on the nameplate, and can only be operated on single-phase AC supply. They are double-insulated and can, therefore, also be used from sockets without earth wire.

Noise

The typical A-weighted noise level determined according to EN62841:

Model LS1219

Sound pressure level (L_{pA}): 91 dB(A)

Sound power level (L_{WA}): 100 dB (A)

Uncertainty (K): 3 dB(A)

Model LS1219L

Sound pressure level (L_{pA}): 91 dB(A)

Sound power level (L_{WA}): 100 dB (A)

Uncertainty (K): 3 dB(A)

WARNING: Wear ear protection.

Vibration

The vibration total value (tri-axial vector sum) determined according to EN62841:

Model LS1219

Vibration emission (a_h): 2.5 m/s² or less

Uncertainty (K): 1.5 m/s²

Model LS1219L

Vibration emission (a_h): 2.5 m/s² or less

Uncertainty (K): 1.5 m/s²

NOTE: The declared vibration emission value has been measured in accordance with the standard test method and may be used for comparing one tool with another.

NOTE: The declared vibration emission value may also be used in a preliminary assessment of exposure.

WARNING: The vibration emission during actual use of the power tool can differ from the declared emission value depending on the ways in which the tool is used.

WARNING: Be sure to identify safety measures to protect the operator that are based on an estimation of exposure in the actual conditions of use (taking account of all parts of the operating cycle such as the times when the tool is switched off and when it is running idle in addition to the trigger time).

EC Declaration of Conformity

For European countries only

The EC declaration of conformity is included as Annex A to this instruction manual.

SAFETY WARNINGS

General power tool safety warnings

WARNING: Read all safety warnings, instructions, illustrations and specifications provided with this power tool. Failure to follow all instructions listed below may result in electric shock, fire and/or serious injury.

Save all warnings and instructions for future reference.

The term "power tool" in the warnings refers to your mains-operated (corded) power tool or battery-operated (cordless) power tool.

Safety instructions for mitre saws

- Mitre saws are intended to cut wood or wood-like products, they cannot be used with abrasive cut-off wheels for cutting ferrous material such as bars, rods, studs, etc.** Abrasive dust causes moving parts such as the lower guard to jam. Sparks from abrasive cutting will burn the lower guard, the kerf insert and other plastic parts.
- Use clamps to support the workpiece whenever possible. If supporting the workpiece by hand, you must always keep your hand at least 100 mm from either side of the saw blade. Do not use this saw to cut pieces that are too small to be securely clamped or held by hand.** If your hand is placed too close to the saw blade, there is an increased risk of injury from blade contact.
- The workpiece must be stationary and clamped or held against both the fence and the table. Do not feed the workpiece into the blade or cut "freehand" in any way.** Unrestrained or moving workpieces could be thrown at high speeds, causing injury.

4. **Push the saw through the workpiece. Do not pull the saw through the workpiece. To make a cut, raise the saw head and pull it out over the workpiece without cutting, start the motor, press the saw head down and push the saw through the workpiece.** Cutting on the pull stroke is likely to cause the saw blade to climb on top of the workpiece and violently throw the blade assembly towards the operator.
 5. **Never cross your hand over the intended line of cutting either in front or behind the saw blade.** Supporting the workpiece "cross handed" i.e. holding the workpiece to the right of the saw blade with your left hand or vice versa is very dangerous.
 - Fig.1
 6. **Do not reach behind the fence with either hand closer than 100 mm from either side of the saw blade, to remove wood scraps, or for any other reason while the blade is spinning.** The proximity of the spinning saw blade to your hand may not be obvious and you may be seriously injured.
 7. **Inspect your workpiece before cutting. If the workpiece is bowed or warped, clamp it with the outside bowed face toward the fence. Always make certain that there is no gap between the workpiece, fence and table along the line of the cut.** Bent or warped workpieces can twist or shift and may cause binding on the spinning saw blade while cutting. There should be no nails or foreign objects in the workpiece.
 8. **Do not use the saw until the table is clear of all tools, wood scraps, etc., except for the workpiece.** Small debris or loose pieces of wood or other objects that contact the revolving blade can be thrown with high speed.
 9. **Cut only one workpiece at a time.** Stacked multiple workpieces cannot be adequately clamped or braced and may bind on the blade or shift during cutting.
 10. **Ensure the mitre saw is mounted or placed on a level, firm work surface before use.** A level and firm work surface reduces the risk of the mitre saw becoming unstable.
 11. **Plan your work. Every time you change the bevel or mitre angle setting, make sure the adjustable fence is set correctly to support the workpiece and will not interfere with the blade or the guarding system.** Without turning the tool "ON" and with no workpiece on the table, move the saw blade through a complete simulated cut to assure there will be no interference or danger of cutting the fence.
 12. **Provide adequate support such as table extensions, saw horses, etc. for a workpiece that is wider or longer than the table top.** Workpieces longer or wider than the mitre saw table can tip if not securely supported. If the cut-off piece or workpiece tips, it can lift the lower guard or be thrown by the spinning blade.
 13. **Do not use another person as a substitute for a table extension or as additional support.** Unstable support for the workpiece can cause the blade to bind or the workpiece to shift during the cutting operation pulling you and the helper into the spinning blade.
 14. **The cut-off piece must not be jammed or pressed by any means against the spinning saw blade.** If confined, i.e. using length stops, the cut-off piece could get wedged against the blade and thrown violently.
 15. **Always use a clamp or a fixture designed to properly support round material such as rods or tubing.** Rods have a tendency to roll while being cut, causing the blade to "bite" and pull the work with your hand into the blade.
 16. **Let the blade reach full speed before contacting the workpiece.** This will reduce the risk of the workpiece being thrown.
 17. **If the workpiece or blade becomes jammed, turn the mitre saw off. Wait for all moving parts to stop and disconnect the plug from the power source and/or remove the battery pack. Then work to free the jammed material.** Continued sawing with a jammed workpiece could cause loss of control or damage to the mitre saw.
 18. **After finishing the cut, release the switch, hold the saw head down and wait for the blade to stop before removing the cut-off piece.** Reaching with your hand near the coasting blade is dangerous.
 19. **Hold the handle firmly when making an incomplete cut or when releasing the switch before the saw head is completely in the down position.** The braking action of the saw may cause the saw head to be suddenly pulled downward, causing a risk of injury.
 20. **Only use the saw blade with the diameter that is marked on the tool or specified in the manual.** Use of an incorrectly sized blade may affect the proper guarding of the blade or guard operation which could result in serious personal injury.
 21. **Only use the saw blades that are marked with a speed equal or higher than the speed marked on the tool.**
 22. **Do not use the saw to cut other than wood, aluminum or similar materials.**
 23. **(For European countries only) Always use the blade which conforms to EN847-1.**
- Additional instructions**
1. **Make workshop kid proof with padlocks.**
 2. **Never stand on the tool.** Serious injury could occur if the tool is tipped or if the cutting tool is unintentionally contacted.
 3. **Never leave the tool running unattended. Turn the power off. Do not leave tool until it comes to a complete stop.**
 4. **Do not operate saw without guards in place. Check blade guard for proper closing before each use. Do not operate saw if blade guard does not move freely and close instantly. Never clamp or tie the blade guard into the open position.**
 5. **Keep hands out of path of saw blade. Avoid contact with any coasting blade. It can still cause severe injury.**
 6. **To reduce the risk of injury, return carriage to the full rear position after each crosscut operation.**

7. Always secure all moving portions before carrying the tool.
 8. Stopper pin which locks the cutter head down is for carrying and storage purposes only and not for any cutting operations.
 9. Check the blade carefully for cracks or damage before operation. Replace cracked or damaged blade immediately. Gum and wood pitch hardened on blades slows saw and increases potential for kickback. Keep blade clean by first removing it from tool, then cleaning it with gum and pitch remover, hot water or kerosene. Never use gasoline to clean blade.
 10. While making a slide cut, KICKBACK can occur. KICKBACK occurs when the blade binds in the workpiece during a cutting operation and the saw blade is driven rapidly towards the operator. Loss of control and serious personal injury can result. If blade begins to bind during a cutting operation, do not continue to cut and release switch immediately.
 11. Use only flanges specified for this tool.
 12. Be careful not to damage the arbor, flanges (especially the installing surface) or bolt. Damage to these parts could result in blade breakage.
 13. Make sure that the turn base is properly secured so it will not move during operation. Use the holes in the base to fasten the saw to a stable work platform or bench. NEVER use tool where operator positioning would be awkward.
 14. Make sure the shaft lock is released before the switch is turned on.
 15. Be sure that the blade does not contact the turn base in the lowest position.
 16. Hold the handle firmly. Be aware that the saw moves up or down slightly during start-up and stopping.
 17. Make sure the blade is not contacting the workpiece before the switch is turned on.
 18. Before using the tool on an actual workpiece, let it run for a while. Watch for vibration or wobbling that could indicate poor installation or a poorly balanced blade.
 19. Stop operation immediately if you notice anything abnormal.
 20. Do not attempt to lock the trigger in the "ON" position.
 21. Always use accessories recommended in this manual. Use of improper accessories such as abrasive wheels may cause an injury.
 22. Some material contains chemicals which may be toxic. Take caution to prevent dust inhalation and skin contact. Follow material supplier safety data.
- Additional safety rules for the laser**
1. LASER RADIATION, DO NOT STARE INTO THE BEAM OR VIEW DIRECTLY WITH OPTICAL INSTRUMENTS, CLASS 2M LASER PRODUCT.

SAVE THESE INSTRUCTIONS.

⚠ WARNING: DO NOT let comfort or familiarity with product (gained from repeated use) replace strict adherence to safety rules for the subject product. MISUSE or failure to follow the safety rules stated in this instruction manual may cause serious personal injury.

PARTS DESCRIPTION

► Fig.2

1	Slide pole	2	Stopper pin (for carriage sliding)	3	Vertical vise	4	Releasing button (for right side bevel angle)
5	Holder	6	Turn base	7	Pointer (for miter angle)	8	Miter angle scale
9	Kerf board	10	Blade case	11	Adjusting screw (for laser line)	12	Range adjustment screw (for laser line)
13	Blade guard	14	Knob (for bevel angle)	15	Hex wrench	16	Adjusting screw (for lower limit position)
17	Adjusting bolt (for maximum cutting capacity)	18	Stopper arm	19	Lock lever (for turn base)	20	Releasing lever (for turn base)
21	Grip (for turn base)	-	-	-	-	-	-

► Fig.3

1	Switch trigger	2	Lock-off button	3	Hole for padlock	4	Switch (for laser line)
5	Hose (for dust extraction)	6	Stopper pin (for carriage elevation)	7	Guide fence (lower fence)	8	Guide fence (upper fence)
9	Dust bag	10	0° adjusting bolt (for bevel angle)	11	Bevel angle scale	12	Releasing lever (for 48° bevel angle)
13	Latch lever (for bevel angle)	14	Pointer (for bevel angle)	15	45° adjusting bolt (for bevel angle)	-	-

INSTALLATION

Installing the grip

Screw the threaded shaft of the grip into the turn base.

► **Fig.4:** 1. Grip 2. Turn base

Installing the dust extraction hose

Connect the dust extraction hose to the tool as illustrated.

Make sure that the elbow and the sleeve fit properly to the ports of the tool.

► **Fig.5:** 1. Dust extraction hose 2. Elbow 3. Sleeve 4. Port

Bench mounting

When the tool is shipped, the handle is locked in the lowered position by the stopper pin. While lowering the handle slightly, pull the stopper pin and rotate it 90°.

► **Fig.6:** 1. Locked position 2. Unlocked position 3. Stopper pin

This tool should be bolted with four bolts to a level and stable surface using the bolt holes provided in the tool's base. This will help prevent tipping and possible injury.

► **Fig.7:** 1. Bolt

⚠WARNING: Ensure that the tool will not move on the supporting surface. Movement of the miter saw on the supporting surface while cutting may result in loss of control and serious personal injury.

FUNCTIONAL DESCRIPTION

⚠WARNING: Always be sure that the tool is switched off and unplugged before adjusting or checking function on the tool. Failure to switch off and unplug the tool may result in serious personal injury from accidental start-up.

Blade guard

► **Fig.8:** 1. Blade guard

When lowering the handle, the blade guard rises automatically. The guard is spring loaded so it returns to its original position when the cut is completed and the handle is raised.

⚠WARNING: Never defeat or remove the blade guard or the spring which attaches to the guard. An exposed blade as a result of defeated guarding may result in serious personal injury during operation.

In the interest of your personal safety, always maintain the blade guard in good condition. Any irregular operation of the blade guard should be corrected immediately. Check to assure spring loaded return action of guard.

⚠WARNING: Never use the tool if the blade guard or spring are damaged, faulty or removed. Operation of the tool with a damaged, faulty or removed guard may result in serious personal injury.

If the see-through blade guard becomes dirty, or sawdust adheres to it in such a way that the blade and/or workpiece is no longer easily visible, unplug the saw and clean the guard carefully with a damp cloth. Do not use solvents or any petroleum-based cleaners on the plastic guard because this may cause damage to the guard.

If the blade guard is especially dirty and vision through the guard is impaired, unplug the tool and use the supplied wrench to loosen the hex bolt holding the center cover. Loosen the hex bolt by turning it counterclockwise and raise the blade guard and center cover. With the blade guard so positioned, cleaning can be more completely and efficiently accomplished. When cleaning is complete, reverse procedure above and secure bolt. Do not remove spring holding blade guard. If guard becomes discolored through age or UV light exposure, contact a Makita service center for a new guard. DO NOT DEFEAT OR REMOVE GUARD.

► **Fig.9:** 1. Center cover 2. Hex wrench 3. Blade guard

Kerf boards

This tool is provided with the kerf boards in the turn base to minimize tearing on the exit side of a cut. The kerf boards are factory adjusted so that the saw blade does not contact the kerf boards. Before use, adjust the kerf boards as follows:

► **Fig.10:** 1. Kerf board

► **Fig.11:** 1. Left bevel cut 2. Straight cut 3. Right bevel cut 4. Saw blade 5. Blade teeth 6. Kerf board

First, unplug the tool. Loosen all the screws (2 each on left and right) securing the kerf boards until the kerf boards can still be easily moved by hand. Lower the handle fully, then pull and turn the stopper pin to lock the handle in the lowered position. Release the stopper pin on the sliding pole and pull the carriage toward you fully. Adjust the kerf boards so that the kerf boards just contact the sides of the blade teeth. Tighten the front screws (do not tighten firmly). Push the carriage toward the guide fence fully and adjust the kerf boards so that the kerf boards just contact the sides of blade teeth. Tighten the rear screws (do not tighten firmly).

After adjusting the kerf boards, release the stopper pin and raise the handle. Then tighten all the screws securely.

NOTICE: After setting the bevel angle ensure that the kerf boards are adjusted properly. Correct adjustment of the kerf boards will help provide proper support of the workpiece minimizing workpiece tear out.

Maintaining maximum cutting capacity

This tool is factory adjusted to provide the maximum cutting capacity for a 305 mm saw blade.

When installing a new blade, always check the lower limit position of the blade and if necessary, adjust it as follows:

First, unplug the tool. Turn the stopper lever to engaged position.

► **Fig.12:** 1. Stopper lever

Push the carriage toward the guide fence fully and lower the handle completely.

Adjust the blade position by turning the adjusting bolt with the hex wrench. The periphery of the blade should extend slightly below the top surface of the turn base and also comes to the point where the front face of the guide fence meets the top surface of the turn base.

► **Fig.13:** 1. Adjusting bolt

► **Fig.14:** 1. Top surface of turn base 2. Periphery of blade 3. Guide fence

With the tool unplugged, rotate the blade by hand while holding the handle all the way down to be sure that the blade does not contact any part of the lower base. Re-adjust slightly, if necessary.

After adjustment, always return the stopper lever to the original position.

⚠ WARNING: After installing a new blade and with the tool unplugged, always be sure that the blade does not contact any part of the lower base when the handle is lowered completely. If a blade makes contact with the base it may cause kickback and result in serious personal injury.

Stopper arm

The lower limit position of the blade can be easily adjusted with the stopper arm. To adjust it, turn the stopper arm in the direction of the arrow as shown in the figure. Turn the adjusting screw so that the blade stops at the desired position when lowering the handle fully.

► **Fig.15:** 1. Stopper arm 2. Adjusting screw

Adjusting the miter angle

⚠ CAUTION: After changing the miter angle, always secure the turn base by tightening the grip firmly.

NOTICE: When turning the turn base, be sure to raise the handle fully.

► **Fig.16:** 1. Lock lever 2. Grip 3. Releasing lever 4. Pointer

Rotate the grip counterclockwise to unlock the turn base. Turn the grip while holding down the lock lever to move the turn base. Align the pointer with your desired angle on the scale then tighten the grip.

NOTE: If you depress the releasing lever, you can move the turn base without holding down the lock lever. Tighten the grip at your desired position.

This miter saw employs positive stop function. You can set 0°, 15°, 22.5°, 31.6°, 45°, and 60° right/left miter angle quickly. To use this function, move the turn base close to your desired positive stop angle while holding down the lock lever. Then release the lock lever and move the turn base forward until the turn base is locked.

Adjusting the bevel angle

NOTICE: Always remove the upper guide fences and vertical vise before adjusting the bevel angle.

NOTICE: When changing bevel angles, be sure to position the kerf boards appropriately as explained in the "Kerf boards" section.

NOTICE: When tilting the saw blade, be sure to raise the handle fully.

NOTICE: Do not tighten the knob too hard. Doing so may cause malfunction of the locking mechanism of the bevel angle.

1. Turn the knob on the slide pole counterclockwise.

► **Fig.17:** 1. Knob

2. Pull and turn the latch lever to the position as illustrated.

► **Fig.18:** 1. Latch lever

3. Match the pointer with your desired angle on the scale by moving the carriage then tighten the knob.

► **Fig.19:** 1. Bevel angle scale 2. Pointer

To tilt the carriage to the right, tilt the carriage to the left slightly and then tilt it to the right while pressing down the releasing button.

► **Fig.20:** 1. Releasing button

If you perform a bevel cut greater than 45°, move the carriage while sliding the releasing lever toward the front of the tool. You can perform up to 48° bevel cut.

► **Fig.21:** 1. Releasing lever

This miter saw employs positive stop function. You can set 22.5° and 33.9° angle to both right and left quickly. Set the latch lever in the position as illustrated and tilt the carriage. To change the angle, pull the latch lever and tilt the carriage.

► **Fig.22:** 1. Latch lever

⚠ CAUTION: After changing the bevel angle, always secure the knob.

Slide lock

To lock the sliding movement of the carriage, push the carriage toward the guide fence until it stops. Pull the stopper pin and rotate it 90°.

- **Fig.23:** 1. Unlocked position 2. Locked position
3. Stopper pin

Switch action

⚠WARNING: Before plugging in the tool, always check to see that the switch trigger actuates properly and returns to the "OFF" position when released. Do not pull the switch trigger hard without pressing in the lock-off button. This can cause switch breakage. Operating a tool with a switch that does not actuate properly can lead to loss of control and serious personal injury.

⚠WARNING: NEVER use tool without a fully operative switch trigger. Any tool with an inoperative switch is HIGHLY DANGEROUS and must be repaired before further usage or serious personal injury may occur.

⚠WARNING: NEVER defeat the lock-off button by taping down or some other means. A switch with a negated lock-off button may result in unintentional operation and serious personal injury.

⚠WARNING: NEVER use the tool if it runs when you simply pull the switch trigger without pressing the lock-off button. A switch in need of repair may result in unintentional operation and serious personal injury. Return tool to a Makita service center for proper repairs BEFORE further usage.

- **Fig.24:** 1. Switch trigger 2. Lock-off button 3. Hole for padlock

To prevent the switch trigger from being accidentally pulled, a lock-off button is provided. To start the tool, press in the lock-off button and pull the switch trigger. Release the switch trigger to stop. A hole is provided in the switch trigger for insertion of a padlock to lock the tool off.

⚠WARNING: Do not use a lock with a shank or cable any smaller than 6.35 mm in diameter. A smaller shank or cable may not properly lock the tool in the off position and unintentional operation may occur resulting in serious personal injury.

Electronic function

Constant speed control

The tool is provided with an electronic speed control which helps maintain a constant blade rotation speed even under load. A constant blade rotation speed will result in a very smooth cut.

Soft start feature

This function allows the smooth start-up of the tool by limiting the start-up torque.

Laser beam action

For model LS1219L only

⚠CAUTION: Never look into the laser beam. Direct laser beam may injure your eyes.

To turn on the laser beam, press the upper position (I) of the switch. To turn off the laser beam, press the lower position (0) of the switch.

- **Fig.25:** 1. Switch for laser

Laser line can be shifted to either the left or right side of the saw blade by turning the adjusting screw as follows.

- **Fig.26:** 1. Adjusting screw

1. Loosen the adjusting screw by turning it counterclockwise.
2. With the adjusting screw loosened, slide the adjusting screw to the right or left as far as it goes.
3. Tighten the adjusting screw firmly at the position where it stops sliding.

NOTE: Laser line is factory adjusted so that it is positioned within 1 mm from the side surface of the blade (cutting position).

NOTE: When laser line appears dim and hard to see because of direct sunlight, relocate the work area to a place where there is less direct sunlight.

Aligning the laser line

Align the cutting line on your workpiece with the laser line.

- **Fig.27**

A) When you want to obtain the correct size on the left side of workpiece, shift the laser line to the left of the blade.

B) When you want to obtain the correct size on the right side of workpiece, shift the laser line to the right of the blade.

NOTE: Use wood facing against the guide fence when aligning the cutting line with the laser line at the side of guide fence in compound cutting (bevel angle 45° and miter angle right 45°).

ASSEMBLY

⚠WARNING: Always be sure that the tool is switched off and unplugged before working on the tool. Failure to switch off and unplug the tool may result in serious personal injury.

Hex wrench storage

When not in use, store the hex wrench as shown in the figure to keep it from being lost.

- **Fig.28:** 1. Hex wrench

Removing and installing saw blade

⚠ WARNING: Always be sure that the tool is switched off and unplugged before installing or removing the blade. Accidental start up of the tool may result in serious personal injury.

⚠ WARNING: Use only the Makita wrench provided to install or remove the blade. Failure to use the wrench may result in overtightening or insufficient tightening of the hex socket bolt and serious personal injury.

Always lock the carriage with raised position when removing and installing the blade. Pull the stopper pin and rotate it 90° with the carriage raised.

► **Fig.29:** 1. Unlocked position 2. Locked position 3. Stopper pin

Removing the blade

Loosen the hex bolt holding the center cover using the hex wrench. Raise the blade guard and center cover.

► **Fig.30:** 1. Center cover 2. Hex wrench 3. Blade guard

Press the shaft lock to lock the spindle and use the hex wrench to loosen the hex socket bolt. Then remove the hex socket bolt, outer flange and blade.

► **Fig.31:** 1. Shaft lock 2. Hex wrench 3. Hex socket bolt (left-handed) 4. Loosen 5. Tighten

Installing the blade

Mount the blade carefully onto the spindle, making sure that the direction of the arrow on the surface of the blade matches the direction of the arrow on the blade case.

► **Fig.32:** 1. Arrow on the blade case 2. Arrow on the blade

Install the outer flange and hex socket bolt. Tighten the hex socket bolt counterclockwise using the hex wrench while pressing the shaft lock.

► **Fig.33:** 1. Hex socket bolt 2. Outer flange 3. Saw blade 4. Inner flange 5. Spindle 6. Ring

NOTICE: If the inner flange is removed, be sure to install it on the spindle with its protrusion facing away from the blade. If the flange is installed incorrectly, the flange will rub against the machine.

Return the blade guard and center cover to its original position. Then tighten the hex bolt clockwise to secure the center cover. Unlock the stopper pin to release carriage from the raised position. Lower the handle to make sure that the blade guard moves properly. Make sure shaft lock has released spindle before making cut.

⚠ WARNING: Before mounting the blade onto the spindle, always be sure that the correct ring for the blade's arbor hole you intend to use is installed between the inner and the outer flanges. Use of the incorrect arbor hole ring may result in the improper mounting of the blade causing blade movement and severe vibration resulting in possible loss of control during operation and in serious personal injury.

Connecting a vacuum cleaner

When you wish to perform clean cutting operation, connect a Makita vacuum cleaner to the dust nozzle using a front cuff 24 (optional accessory).

► **Fig.34:** 1. Front cuff 24 2. Hose 3. Vacuum cleaner

Dust bag

The use of the dust bag makes cutting operations clean and dust collection easy. To attach the dust bag, remove the dust extraction hose on the tool and connect the dust bag.

► **Fig.35:** 1. Dust extraction hose 2. Dust bag

When the dust bag is about half full, remove the dust bag from the tool and pull the fastener out. Empty the dust bag of its contents, tapping it lightly so as to remove particles adhering to the insides which might hamper further collection.

► **Fig.36:** 1. Fastener

Securing workpiece

⚠ WARNING: It is extremely important to always secure the workpiece correctly with the proper type of vise or crown molding stoppers. Failure to do so may result in serious personal injury and cause damage to the tool and/or the workpiece.

⚠ WARNING: After a cutting operation do not raise the blade until it has come to a complete stop. The raising of a coasting blade may result in serious personal injury and damage to the workpiece.

⚠ WARNING: When cutting a workpiece that is longer than the support base of the saw, the material should be supported the entire length beyond the support base and at the same height to keep the material level. Proper workpiece support will help avoid blade pinch and possible kickback which may result in serious personal injury. Do not rely solely on the vertical vise and/or horizontal vise to secure the workpiece. Thin material tends to sag. Support workpiece over its entire length to avoid blade pinch and possible KICKBACK.

► **Fig.37:** 1. Support 2. Turn base

Guide fences

⚠ WARNING: Before operating the tool, make sure that the upper fence is secured firmly.

⚠ WARNING: Before bevel-cutting, make sure that no part of the tool, especially the blade, contacts the upper and lower fences when fully lowering and raising the handle in any position and while moving the carriage through its full range of travel. If the tool or blade makes contact with the fence this may result in kickback or unexpected movement of the material and serious personal injury.

Use upper fences to support the material higher than the lower fences. Insert the upper fence into the hole on the lower fence and tighten the clamping screw.

► **Fig.38:** 1. Upper fence 2. Lower fence 3. Clamping screw 4. Adjusting screw

NOTICE: The lower fences are fixed to the base in the factory. Do not remove the lower fences.

NOTICE: If the upper fence is still loose after tightening the clamping screw, turn the adjusting screw to close a gap. The adjusting screw is factory adjusted. You don't need to use it unless needed.

You can store the upper fences onto the holder when not in use. Use the clip on the upper fence to hold it on the holder.

► **Fig.39:** 1. Holder 2. Upper fence 3. Clip

Vertical vise

⚠ WARNING: The workpiece must be secured firmly against the turn base and guide fence with the vise during all operations. If the workpiece is not properly secured against the fence the material may move during the cutting operation causing possible damage to the blade, causing the material to be thrown and loss of control resulting in serious personal injury.

► **Fig.40:** 1. Vise arm 2. Vise rod 3. Clamping screw 4. Vise knob

The vertical vise can be installed in two positions on either the left or right side of the base. Insert the vise rod into the hole in the base.

Position the vise arm according to the thickness and shape of the workpiece and secure the vise arm by tightening the screw. If the clamping screw contacts the carriage, install it on the opposite side of vise arm. Make sure that no part of the tool contacts the vise when lowering the handle all the way. If some part contacts the vise, re-position the vise.

Press the workpiece flat against the guide fence and the turn base. Position the workpiece at the desired cutting position and secure it firmly by tightening the vise knob.

NOTE: For a quick setting of workpiece, turning the vise knob to 90° counterclockwise allows the vise knob to be moved up and down. To secure the workpiece after setting, turn the vise knob clockwise.

Horizontal vise

Optional accessory

⚠ WARNING: Always rotate the vise nut clockwise until the workpiece is properly secured. If the workpiece is not properly secured the material may move during the cutting operation causing possible damage to the blade, causing the material to be thrown and loss of control resulting in serious personal injury.

⚠ WARNING: When cutting a thin workpiece, such as base boards, against the fence, always use the horizontal vise.

⚠ CAUTION: When cutting the workpiece of the thickness 20 mm or thinner, make sure to use a spacer block to secure the workpiece.

The horizontal vise can be installed in two positions on either the left or right side of the base. When performing 22.5° or greater miter cuts, install the horizontal vise on the side opposite the direction in which the turn base is to be turned.

► **Fig.41:** 1. Vise plate 2. Vise nut 3. Vise knob

By flipping the vise nut counterclockwise, the vise is released, and rapidly moves in and out. To grip the workpiece, push the vise knob forward until the vise plate contacts the workpiece and flip the vise nut clockwise. Then turn the vise knob clockwise to secure the workpiece.

NOTE: The maximum width of workpiece which can be secured by the horizontal vise is 228 mm.

Holders

⚠ WARNING: Always support a long workpiece so it is level with the top surface of the turn base for an accurate cut and to prevent dangerous loss of tool control. Proper workpiece support will help avoid blade pinch and possible kickback which may result in serious personal injury.

To hold long workpieces horizontally, holders are provided on both sides of the tool. Loosen the screws and extend the holders to the appropriate length for holding the workpiece. Then tighten the screws.

► **Fig.42:** 1. Holder 2. Screw

OPERATION

⚠ WARNING: Make sure the blade is not contacting the workpiece, etc. before the switch is turned on. Turning the tool on with the blade in contact with the workpiece may result in kickback and serious personal injury.

⚠ WARNING: After a cutting operation, do not raise the blade until it has come to a complete stop. The raising of a coasting blade may result in serious personal injury and damage to the workpiece.

⚠ WARNING: Do not perform any adjustment such as turning grip, knob, and levers on the tool while the blade is rotating. Adjustment while the blade is rotating may result in serious personal injury.

NOTICE: Before use, be sure to unlock the stopper pin and release the handle from the lowered position.

NOTICE: Do not apply excessive pressure on the handle when cutting. Too much force may result in overload of the motor and/or decreased cutting efficiency. Press down handle with only as much force as necessary for smooth cutting and without significant decrease in blade speed.

NOTICE: Gently press down the handle to perform the cut. If the handle is pressed down with force or if lateral force is applied, the blade may vibrate and leave a mark (saw mark) in the workpiece and the precision of the cut may be impaired.

NOTICE: During a slide cut, gently push the carriage toward the guide fence without stopping. If the carriage movement is stopped during the cut, a mark will be left in the workpiece and the precision of the cut will be impaired.

Press cutting

⚠ WARNING: Always lock the sliding movement of the carriage when performing a press cutting. Cutting without lock may cause possible kickback which may result in serious personal injury.

Workpieces up to 92 mm high and 183 mm wide can be cut in the following manner.

► Fig.43: 1. Stopper pin

1. Push the carriage toward the guide fence until it stops and lock it with the stopper pin.
2. Secure the workpiece with the proper type of vise.
3. Switch on the tool without the blade making any contact and wait until the blade attains full speed before lowering.
4. Gently lower the handle to the fully lowered position to cut the workpiece.
5. When the cut is completed, switch off the tool and **wait until the blade has come to a complete stop** before returning the blade to its fully elevated position.

Slide (push) cutting (cutting wide workpieces)

⚠ WARNING: Whenever performing a slide cut, first pull the carriage full towards you and press the handle all the way down, then push the carriage toward the guide fence. Never start the cut with the carriage not pulled fully toward you. If you perform the slide cut without the carriage pulled fully toward you unexpected kickback may occur and serious personal injury may result.

⚠ WARNING: Never attempt to perform a slide cut by pulling the carriage towards you. Pulling the carriage towards you while cutting may cause unexpected kickback resulting in possible serious personal injury.

⚠ WARNING: Never perform the slide cut with the handle locked in the lowered position.

► Fig.44: 1. Stopper pin

1. Unlock the stopper pin so that the carriage can slide freely.
2. Secure the workpiece with the proper type of vise.
3. Pull the carriage toward you fully.
4. Switch on the tool without the blade making any contact and wait until the blade attains full speed.
5. Press the handle down and **push the carriage toward the guide fence and through the workpiece.**
6. When the cut is completed, switch off the tool and **wait until the blade has come to a complete stop** before returning the blade to its fully elevated position.

Miter cutting

Refer to the previously covered "Adjusting the miter angle".

Bevel cut

⚠ WARNING: After setting the blade for a bevel cut, ensure that the carriage and blade will have free travel throughout the entire range of the intended cut before operating the tool. Interruption of the carriage or blade travel during the cutting operation may result in kickback and serious personal injury.

⚠ WARNING: While making a bevel cut keep hands out of the path of the blade. The angle of the blade may confuse the operator as to the actual blade path while cutting and contact with the blade will result in serious personal injury

⚠ WARNING: The blade should not be raised until it has come to a complete stop. During a bevel cut the piece cut off may come to rest against the blade. If the blade is raised while it is rotating the cut-off piece maybe ejected by the blade causing the material to fragment which may result in serious personal injury.

NOTICE: When pressing down the handle, apply pressure in parallel with the blade. If a force is applied perpendicularly to the turn base or if the pressure direction is changed during a cut, the precision of the cut will be impaired.

► Fig.45

1. Remove the upper fence on the side that you are going to tilt the carriage.
2. Unlock the stopper pin.
3. Adjust the bevel angle according to the procedure explained in the "Adjusting the bevel angle" section. Then tighten the knob.
4. Secure the workpiece with a vise.
5. Pull the carriage toward you fully.
6. Switch on the tool without the blade making any contact and wait until the blade attains full speed.
7. Gently lower the handle to the fully lowered position while applying pressure in parallel with the blade and **push the carriage toward the guide fence to cut the workpiece.**
8. When the cut is completed, switch off the tool and **wait until the blade has come to a complete stop** before returning the blade to its fully elevated position.

Compound cutting

Compound cutting is the process in which a bevel angle is made at the same time in which a miter angle is being cut on a workpiece. Compound cutting can be performed at the angle shown in the table.

Miter angle	Bevel angle
Left and Right 0° - 45°	Left and Right 0° - 45°

When performing compound cutting, refer to "Press cutting", "Slide (push) cutting", "Miter cutting" and "Bevel cut" explanations

Cutting base boards

CAUTION: Make sure to use the horizontal vise (optional accessory) when cutting the base board.

CAUTION: When cutting the workpiece of the thickness 20 mm or thinner, make sure to use a spacer block to secure the workpiece.

When cutting the base board in 45° miter angle, engage the stopper lever to prevent the blade case from contacting the base board. This will keep the clearance between the base board and the blade case when the carriage is fully pushed forward.

Refer to the SPECIFICATIONS for base board cutting capacity.

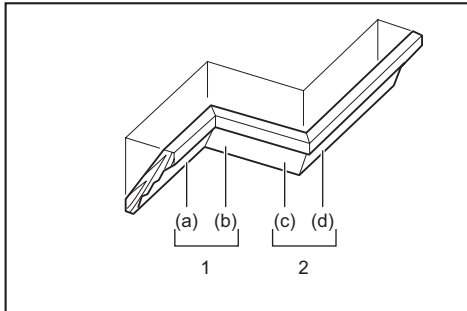
► **Fig.46:** 1. Stopper lever 2. Spacer block 3. Horizontal vise

Cutting crown and cove moldings

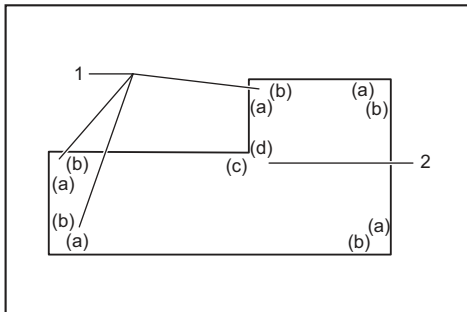
Crown and cove moldings can be cut on a compound miter saw with the moldings laid flat on the turn base. There are two common types of crown moldings and one type of cove moldings; 52/38° wall angle crown molding, 45° wall angle crown molding and 45° wall angle cove molding.

► **Fig.47:** 1. 52/38° type crown molding 2. 45° type crown molding 3. 45° type cove molding

There are crown and cove molding joints which are made to fit "Inside" 90° corners ((a) and (b) in the figure) and "Outside" 90° corners ((c) and (d) in the figure.)



1. Inside corner 2. Outside corner



1. Inside corner 2. Outside corner

Measuring

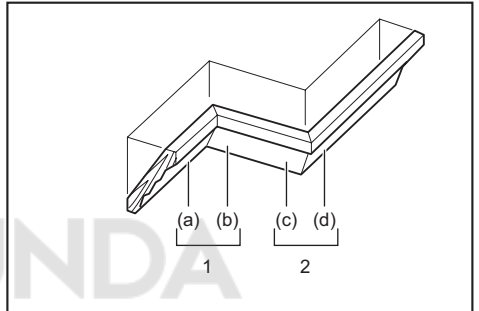
Measure the wall width, and adjust the width of the workpiece according to it. Always make sure that width of the workpiece's wall contact edge is the same as wall length.

► **Fig.48:** 1. Workpiece 2. Wall width 3. Width of the workpiece 4. Wall contact edge

Always use several pieces for test cuts to check the saw angles.

When cutting crown and cove moldings, set the bevel angle and miter angle as indicated in the table (A) and position the moldings on the top surface of the saw base as indicated in the table (B).

In the case of left bevel cut



1. Inside corner 2. Outside corner

Table (A)

-	Molding position in the figure	Bevel angle		Miter angle	
		52/38° type	45° type	52/38° type	45° type
For inside corner	(a)	Left 33.9°	Left 30°	Right 31.6°	Right 35.3°
	(b)			Left 31.6°	Left 35.3°
For outside corner	(c)			Right 31.6°	Right 35.3°
	(d)			Right 31.6°	Right 35.3°

Table (B)

-	Molding position in the figure	Molding edge against guide fence	Finished piece
For inside corner	(a)	Ceiling contact edge should be against guide fence.	Finished piece will be on the Left side of blade.
	(b)	Wall contact edge should be against guide fence.	
For outside corner	(c)	Wall contact edge should be against guide fence.	Finished piece will be on the Right side of blade.
	(d)	Ceiling contact edge should be against guide fence.	

Example:

In the case of cutting 52/38° type crown molding for position (a) in the above figure:

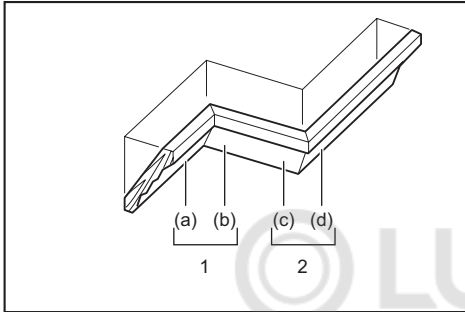
- Tilt and secure bevel angle setting to 33.9° LEFT.
- Adjust and secure miter angle setting to 31.6° RIGHT.
- Lay crown molding with its broad back (hidden) surface down on the turn base with its CEILING CONTACT EDGE against the guide fence on the saw.
- The finished piece to be used will always be on the LEFT side of the blade after the cut has been made.

Example:

In the case of cutting 52/38° type crown molding for position (a) in the above figure:

- Tilt and secure bevel angle setting to 33.9° RIGHT.
- Adjust and secure miter angle setting to 31.6° RIGHT.
- Lay crown molding with its broad back (hidden) surface down on the turn base with its WALL CONTACT EDGE against the guide fence on the saw.
- The finished piece to be used will always be on the RIGHT side of the blade after the cut has been made.

In the case of right bevel cut



1. Inside corner 2. Outside corner

Table (A)

–	Molding position in the figure	Bevel angle		Miter angle	
		52/38° type	45° type	52/38° type	45° type
For inside corner	(a)	Right 33.9°	Right 30°	Right 31.6°	Right 35.3°
	(b)			Left 31.6°	Left 35.3°
For outside corner	(c)			Right 31.6°	Right 35.3°
	(d)			Right 31.6°	Right 35.3°

Table (B)

–	Molding position in the figure	Molding edge against guide fence	Finished piece
For inside corner	(a)	Wall contact edge should be against guide fence.	Finished piece will be on the Right side of blade.
	(b)	Ceiling contact edge should be against guide fence.	
For outside corner	(c)	Wall contact edge should be against guide fence.	Finished piece will be on the Left side of blade.
	(d)	Wall contact edge should be against guide fence.	

Crown molding stopper

Optional accessory

Crown molding stoppers allow easier cuts of crown molding without tilting the saw blade. Install them on the turn base as shown in the figures.

At right 45° miter angle

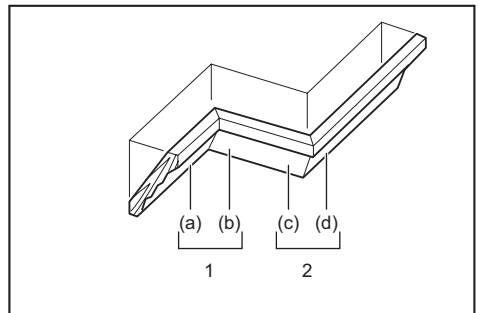
► Fig.49: 1. Crown molding stopper L 2. Crown molding stopper R 3. Turn base 4. Guide fence

At left 45° miter angle

► Fig.50: 1. Crown molding stopper L 2. Crown molding stopper R 3. Turn base 4. Guide fence

Position crown molding with its WALL CONTACT EDGE against the guide fence and its CEILING CONTACT EDGE against the crown molding stoppers as shown in the figure. Adjust the crown molding stoppers according to the size of the crown molding. Tighten the screws to secure the crown molding stoppers. Refer to the table (C) for the miter angle.

► Fig.51: 1. Guide fence 2. Crown molding stopper



1. Inside corner 2. Outside corner

Table (C)

–	Molding position in the figure	Miter angle	Finished piece
For inside corner	(a)	Right 45°	Save the right side of blade
	(b)	Left 45°	Save the left side of blade
For outside corner	(c)	Right 45°	Save the right side of blade
	(d)	Right 45°	Save the left side of blade

Cutting aluminum extrusion

- **Fig.52:** 1. Vise 2. Spacer block 3. Guide fence
4. Aluminum extrusion 5. Spacer block

When securing aluminum extrusions, use spacer blocks or pieces of scrap as shown in the figure to prevent deformation of the aluminum. Use a cutting lubricant when cutting the aluminum extrusion to prevent build-up of the aluminum material on the blade.

⚠ WARNING: Never attempt to cut thick or round aluminum extrusions. Thick or round aluminum extrusions can be difficult to secure and the work may loosen during the cutting operation which may result in loss of control and serious personal injury.

Wood facing

⚠ WARNING: Use screws to attach the wood facing to the guide fence. The screws should be installed so that the screw heads are below the surface of the wood facing so that they will not interfere with the positioning of the material being cut. Misalignment of the material being cut can cause unexpected movement during the cutting operation which may result in a loss of control and serious personal injury.

⚠ CAUTION: Use straight wood of even thickness for the wood facing.

⚠ CAUTION: In order to completely cut through workpieces with a height of 107 mm to 120 mm, a wood facing should be used on the guide fence. The wood facing will space the workpiece away from the fence allowing the blade to complete a deeper cut.

NOTICE: When the wood facing is attached, do not turn the turn base with the handle lowered. The blade and/or the wood facing will be damaged.

Use of wood facing helps to assure splinter-free cuts in workpieces. Attach a wood facing to the guide fence using the holes in the guide fence and 6 mm screws. See the figure concerning the dimensions for a suggested wood facing.

- **Fig.53:** 1. Hole 2. Over 15 mm 3. Over 270 mm
4. 90 mm 5. 145 mm 6. 19 mm 7. 115 - 120 mm

EXAMPLE When cutting workpieces 115 mm and 120 mm high, use a wood facing with the following thickness.

Miter angle	Thickness of wood facing	
	115 mm	120 mm
0°	20 mm	38 mm
Left and Right 45°	15 mm	25 mm
Left and Right 60°	15 mm	25 mm

Groove cutting

⚠ WARNING: Do not attempt to perform this type of cut by using a wider type blade or dado blade. Attempting to make a groove cut with a wider blade or dado blade could lead to unexpected cutting results and kickback which may result in serious personal injury.

⚠ WARNING: Be sure to return the stopper arm to the original position when performing other than groove cutting. Attempting to make cuts with the stopper arm in the incorrect position could lead to unexpected cutting results and kickback which may result in serious personal injury.

For a dado type cut, perform as follows:

- Adjust the lower limit position of the blade using the adjusting screw and the stopper arm to limit the cutting depth of the blade. Refer to "Stopper arm" section described on previously.
- After adjusting the lower limit position of the blade, cut parallel grooves across the width of the workpiece using a slide (push) cut.
► **Fig.54:** 1. Cut grooves with blade
- Remove the workpiece material between the grooves with a chisel.

Special Max Width Cutting Capacities Technique

The maximum width cutting capacity of this tool can be achieved by following the steps below:
For the maximum cutting width of this tool refer to the SPECIFICATIONS under "Cutting capacities for special cuttings".

- Set the tool at 0° or 45° miter angle and make sure that the turn base is locked. (Refer to the section titled "Adjusting the miter angle".)
- Remove both right and left upper fences temporarily and set aside.
- Cut a platform to the dimensions indicated in the figure using a 38 mm thick, flat stock material such as wood, plywood or particle board.
► **Fig.55:** 1. 0° Miter angle: Over 450 mm 2. 45° Miter angle: Over 325 mm 3. 38 mm 4. Over 760 mm

⚠ WARNING: Be sure to use flat stock as a platform. Stock that is not flat may move during the cutting operation which may result in kickback and serious personal injury.

NOTE: The maximum cutting capacity in height will be reduced by the same amount as the platform thickness.

- Place the platform on the tool so that it extends equally over each side of the tool base. Secure the platform to the tool using four 6 mm wood screws through four holes in the lower fences.

- **Fig.56:** 1. Screws (two each side) 2. Lower fence
3. Base 4. Platform

⚠WARNING: Make sure that the platform is laying flat against the tool base and secured firmly to the lower fences using the four screw holes provided. Failure to properly secure the platform may result in movement and possible kickback resulting in serious personal injury.

⚠WARNING: Ensure that the tool is firmly mounted to a stable and flat surface. Failure to properly mount and secure the tool could cause the tool to be unstable resulting in a loss of control and/or the tool falling which may result in serious personal injury.

5. Install the upper fences on the tool.

⚠WARNING: Do not use the tool without upper fences installed. The upper fences provide the adequate support required to cut the workpiece. If the workpiece is not supported properly, it may move resulting in possible loss of control, kickback and serious personal injury.

6. Place the workpiece to be cut on the platform secured to the tool.

7. Secure the workpiece firmly against the upper fences with a vise before cutting.

► **Fig.57:** 1. Upper fence 2. Vertical vise 3. Workpiece 4. Platform

8. Make a cut through the workpiece slowly according to the operation titled "Slide (push) cutting (cutting wide workpieces)."

⚠WARNING: Ensure that the workpiece is secured with the vise and make the cut slowly. Failure to do so may cause the workpiece to move resulting in possible kickback and serious personal injury.

⚠WARNING: Be aware that the platform may become weakened after several cuts are performed at various miter angles. If the platform becomes weakened due to the multiple kerf cuts left in the material, the platform should be replaced. If the weakened platform is not replaced, it may cause the workpiece to move, during cutting, resulting in possible kickback and serious personal injury.

Carrying tool

Before carrying, make sure to unplug and all movable parts of the miter saw are secured. Always check the following:

- The tool is unplugged.
- The carriage is at 0° bevel angle position and secured.
- The carriage is lowered and locked.
- The carriage is fully slid to the guide fence and locked.
- The turn base is at the full right miter angle position and secured.
- The holders are stored and secured.

Carry the tool by holding both sides of the tool base as shown in the figure.

► **Fig.58**

⚠WARNING: Stopper pin for carriage elevation is for carrying and storage purposes only and not for any cutting operations. The use of the stopper pin for cutting operations may cause unexpected movement of the saw blade resulting in kickback and serious personal injury.

⚠CAUTION: Always secure all moving portions before carrying the tool. If portions of the tool move or slide while being carried, loss of control or balance may occur and result in personal injury.

MAINTENANCE

⚠WARNING: Always be sure that the tool is switched off and unplugged before attempting to perform inspection or maintenance. Failure to unplug and switch off the tool may result in accidental start up of the tool which may result in serious personal injury.

⚠WARNING: Always be sure that the blade is sharp and clean for the best and safest performance. Attempting a cut with a dull and /or dirty blade may cause kickback and result in a serious personal injury.

NOTICE: Never use gasoline, benzine, thinner, alcohol or the like. Discoloration, deformation or cracks may result.

Adjusting the cutting angle

This tool is carefully adjusted and aligned at the factory, but rough handling may have affected the alignment. If your tool is not aligned properly, perform the following:

Miter angle

Lower the handle fully and lock it in the lowered position by the stopper pin. Push the carriage toward the guide fence. Loosen the grip and the screws which secure the pointer and miter angle scale.

► **Fig.59:** 1. Screw on pointer 2. Screws on miter angle scale 3. Miter scale

Set the turn base to the 0° position using the positive stop function. Square the side of the blade with the face of the guide fence using a triangular rule or try-square.

While keeping the square, tighten the screws on the miter angle scale. After that, align the pointers (both right and left) with the 0° position in the miter angle scale and then tighten the screw on the pointer.

► **Fig.60:** 1. Triangular rule

Bevel angle

0° bevel angle

Push the carriage toward the guide fence and lock the sliding movement by the stopper pin. Lower the handle fully and lock it in the lowered position by the stopper pin and then loosen the knob. Turn the 0° adjusting bolt two or three revolutions counterclockwise to tilt the blade to the right.

► **Fig.61:** 1. 0° Adjusting bolt 2. Screw

Carefully square the side of the blade with the top surface of the turn base using the triangular rule, try-square, etc. by turning the 0° adjusting bolt clockwise. Then tighten the knob firmly to secure the 0° angle you have set.

► **Fig.62:** 1. Triangular rule 2. Saw blade 3. Top surface of turn base

Check if the side of the blade squares with the turn base surface once again. Loosen the screw on the pointer. Align the pointer with 0° position in the bevel angle scale and then tighten the screw.

45° bevel angle

NOTICE: Before adjusting the 45° bevel angle, finish 0° bevel angle adjustment.

Loosen the knob and fully tilt the carriage to the side that you want to check. Check if the pointer indicates the 45° position in the bevel angle scale.

► **Fig.63**

If the pointer does not indicate the 45° position, align it with 45° position by turning the adjusting bolt on the opposite side of the bevel angle scale.

► **Fig.64:** 1. Left 45° adjusting bolt 2. Right 45° adjusting bolt

Adjusting the laser line position

For model LS1219L only

⚠ WARNING: The tool must be plugged in while adjusting the laser line. Take extra care not to switch on the tool during adjustment. Accidental start up of the tool may result in serious personal injury.

⚠ CAUTION: Never look directly into the laser beam. Direct eye exposure to the beam could cause serious damage to your eyes.

NOTICE: Check the position of laser line regularly for accuracy.

NOTICE: Beware that impacts to the tool. It may cause the laser line to be misaligned or may cause damage to the laser, shortening its life.

NOTICE: Have the tool repaired by a Makita authorized service center for any failure on the laser unit.

The movable range of laser line is decided by the range adjustment screws on both sides. Perform following procedures to alter the laser line position.

1. Unplug the tool.
2. Draw a cutting line on the workpiece and place it on the turn base. At this time, do not secure the workpiece with a vise or similar securing device.
3. Lower the handle and align the cutting line with the saw blade.
4. Return the handle to the original position and secure the workpiece with the vertical vise so that the workpiece does not move from the position you have determined.
5. Plug in the tool and turn on the laser switch.
6. Loosen the adjusting screw. To move the laser line away from the blade, turn the range adjustment screws counterclockwise. To move the laser line close to the blade, turn the range adjustment screw clockwise.

Adjusting the laser line on the left side of the blade

► **Fig.65:** 1. Adjusting screw 2. Range adjustment screw 3. Hex wrench 4. Laser line 5. Saw blade

Adjusting the laser line on the right side of the blade

► **Fig.66:** 1. Adjusting screw 2. Range adjustment screw 3. Hex wrench 4. Laser line 5. Saw blade

7. Slide the adjusting screw to the position that the laser line comes onto the cutting line and then tighten.

NOTE: The movable range of laser line is factory adjusted within 1 mm from the side surface of blade.

Cleaning the laser light lens

For model LS1219L only

The laser light becomes hard to see as the lens for the laser light gets dirty. Clean the lens for laser light periodically.

► **Fig.67:** 1. Screw 2. Lens

Unplug the tool. Loosen the screw and pull out the lens. Clean the lens gently with a damp soft cloth.

NOTICE: Do not remove the screw which secures the lens. If the lens does not come out, loosen the screw further.

NOTICE: Do not use solvents or any petroleum-based cleaners on the lens.

Replacing carbon brushes

► **Fig.68:** 1. Limit mark

Remove and check the carbon brushes regularly. Replace when they wear down to the limit mark. Keep the carbon brushes clean and free to slip in the holders. Both carbon brushes should be replaced at the same time. Use only identical carbon brushes.

Use a screwdriver to remove the brush holder caps. Take out the worn carbon brushes, insert the new ones and secure the brush holder caps.

► **Fig.69:** 1. Brush holder cap

After replacing brushes, plug in the tool and break in brushes by running tool with no load for about 10 minutes. Then check the tool while running and electric brake operation when releasing the switch trigger. If the electric brake is not working correctly, have the tool repaired by a Makita service center.

After use

After use, wipe off chips and dust adhering to the tool with a cloth or the like. Keep the blade guard clean according to the directions in the previously covered section titled "Blade guard". Lubricate the sliding portions with machine oil to prevent rust.

To maintain product SAFETY and RELIABILITY, repairs, any other maintenance or adjustment should be performed by Makita Authorized or Factory Service Centers, always using Makita replacement parts.

OPTIONAL ACCESSORIES

⚠ WARNING: These Makita accessories or attachments are recommended for use with your Makita tool specified in this manual. The use of any other accessories or attachments may result in serious personal injury.

⚠ WARNING: Only use the Makita accessory or attachment for its stated purpose. Misuse of an accessory or attachment may result in serious personal injury.

If you need any assistance for more details regarding these accessories, ask your local Makita Service Center.

- Steel & Carbide-tipped saw blades
- Vertical vise
- Horizontal vise
- Crown molding stopper set
- Dust bag
- Triangular rule
- Hex wrench
- Hex wrench (for LS1219L)

NOTE: Some items in the list may be included in the tool package as standard accessories. They may differ from country to country.

SPECIFIKATIONER

Modell:		LS1219	LS1219L
Bladdiameter		305 mm	
Håldiameter	Länder i Europa	30 mm	
	Länder utanför Europa	25,4 mm	
Max skärtjocklek på sågklingan		3,2 mm	
Max. geringsvinkel		Höger 60°, vänster 60°	
Max. för vinkelsågning		Höger 48°, vänster 48°	
Hastighet utan belastning (rpm)		3 200 min ⁻¹	
Lasertyp		-	Röd laser 650 nm, max uteffekt < 1,6 mW (laserklass 2M)
Dimensioner (L x B x H)		898 mm x 664 mm x 725 mm	
Nettovikt		29,3 kg	29,5 kg
Säkerhetsklass		□/II	

Kapningskapacitet (H x B)

Geringsvinkel			Vinkel för vinkelsågning		
			45° (vänster)	0°	45° (höger)
0°	-	-	61 mm x 382 mm 71 mm x 363 mm	92 mm x 382 mm 107 mm x 363 mm	44 mm x 382 mm 54 mm x 363 mm
	Tjocklek på soning på anhållet för ökad kaphöjd	20 mm 38 mm	78 mm x 325 mm 80 mm x 292 mm	115 mm x 325 mm 120 mm x 292 mm	61 mm x 325 mm -
45° (höger och vänster)	-	-	61 mm x 268 mm 71 mm x 255 mm	92 mm x 268 mm 107 mm x 255 mm	44 mm x 268 mm 54 mm x 255 mm
	Tjocklek på soning på anhållet för ökad kaphöjd	15 mm 25 mm	-	115 mm x 227 mm 120 mm x 212 mm	-
60° (höger och vänster)	-	-	-	92 mm x 185 mm 107 mm x 178 mm	-
	Tjocklek på soning på anhållet för ökad kaphöjd	15 mm 25 mm	-	115 mm x 155 mm 120 mm x 140 mm	-

Kapningskapacitet för specialkapningar

Typ av kapning	Kapningskapacitet
Typ kronlist 45° (med stopp för kronlist)	203 mm
Golvlist (med horisontaltving)	171 mm

- På grund av vårt pågående program för forskning och utveckling kan dessa specifikationer ändras utan föregående meddelande.
- Specifikationer kan variera mellan olika länder.
- Vikt enligt EPTA-procedur 01/2014

Symboler

Följande visar symbolerna som används för utrustningen. Se till att du förstår innebörden innan du använder bormaskinen.



Läs igenom bruksanvisningen.



DUBBEL ISOLERING



För att undvika skador från flygande materialrester, fortsätt att hålla ned såghuvudet efter att du har sågat färdigt, tills bladet har stannat helt.



Vid skjutsågning, dra först ut vagnen så långt som möjligt, tryck ned handtaget och skjut sedan vagnen mot anhållet.



Håll inte handen eller fingrarna i närheten av sågbladet.



Titta aldrig in i laserstrålen. Laserstrålen kan skada dina ögon.



Endast för EU-länder
Elektrisk utrustning får inte kastas i hushållsavfallet! Enligt EU-direktivet som avser äldre elektrisk och elektronisk utrustning och dess tillämpning enligt nationell lagstiftning ska uttjänt elektrisk utrustning sorteras separat och lämnas till miljövänlig återvinning.

Avsedd användning

Maskinen är avsedd för exakt rak sågning och gerings-sågning i trä. Med lämpliga sågblad kan man även såga i aluminium.

Strömförsörjning

Maskinen får endast anslutas till elnät med samma spänning som anges på typplåten och med enfasig växelström. De är dubbelisolerade och får därför också anslutas i ojordade vägguttag.

Buller

Den normala bullernivån för A-belastning är bestämd enligt EN62841:

Model LS1219

Ljudtrycksnivå (L_{pA}): 91 dB (A)
Ljudeffektnivå (L_{WA}): 100 dB (A)
Mättolerans (K): 3 dB (A)

Model LS1219L

Ljudtrycksnivå (L_{pA}): 91 dB (A)
Ljudeffektnivå (L_{WA}): 100 dB (A)
Mättolerans (K): 3 dB (A)

⚠ VARNING: Använd hörselskydd.

Vibration

Det totala vibrationsvärdet (treaxlad vektorsumma) bestämt enligt EN62841:

Model LS1219

Vibrationsemission (a_h): 2,5 m/s^2 eller lägre
Mättolerans (K): 1,5 m/s^2

Model LS1219L

Vibrationsemission (a_h): 2,5 m/s^2 eller lägre
Mättolerans (K): 1,5 m/s^2

OBS: Det deklarerade vibrationsemissionsvärdet har uppmätts i enlighet med standardtestmetoden och kan användas för att jämföra en maskin med en annan.

OBS: Det deklarerade vibrationsemissionsvärdet kan också användas i en preliminär bedömning av exponering för vibration.

⚠ VARNING: Vibrationsemissionen under faktisk användning av maskinen kan skilja sig från det deklarerade emissionsvärdet, beroende på hur maskinen används.

⚠ VARNING: Var noga med att identifiera säkerhetsåtgärder för att skydda användaren, vilka är grundade på en uppskattning av graden av exponering för vibrationer under de faktiska användningsförhållandena, (ta, förutom avtryckartiden, med alla delar av användarcykeln i beräkningen, som till exempel tiden då maskinen är avstängd och när den går på tomgång).

EG-försäkring om överensstämmelse

Gäller endast inom EU

EG-försäkring om överensstämmelse inkluderas som bilaga A till denna bruksanvisning.

SÄKERHETSVARNINGAR

Allmänna säkerhetsvarningar för maskiner

⚠ VARNING: Läs alla säkerhetsvarningar, anvisningar, illustrationer och specifikationer som medföljer det här maskinen. Underlåtenhet att följa instruktionerna kan leda till elstöt, brand och/eller allvariga personskador.

Spara alla varningar och instruktioner för framtida referens.

Termen "maskin" som anges i varningarna hänvisar till din eldrivna maskin (sladdansluten) eller batteridrivna maskin (sladdlös).

Säkerhetsinstruktioner för geringsågar

1. **Geringsågar är avsedda för att såga i trä eller träliknande material. De får inte användas med kapskivor för att kapa stål som stänger, armeringsjärn, nitar etc.** Abrasivt damm gör så att rörliga delar som det nedre skyddets fastnar. Gnistor från abrasivt kapande kommer att bränna det nedre skyddet, skärinsatsen och andra plastdelar.
2. **Använd klämmor när det är möjligt för att stödja arbetsstycket. Om du håller arbetsstycket med händerna måste du alltid dem minst 100 mm från sågklingan. Använd inte denna såg för att såga ut bitar som är för små för att kunna klämmas fast ordentligt eller hållas säkert för hand. Om din hand är placerad för nära sågklingan finns det en ökad risk för skada från kontakt med klingan.**
3. **Arbetsstycket måste vara stationärt och fastklämt eller hållas mot både anhållet och bordet. Mata inte in arbetsstycket i klingan eller kapa på "fri hand" på något sätt. Lösa eller rörliga arbetsstycken kan slungas ut med hög hastighet och orsaka skada.**

4. **Tryck sågen genom arbetsstycket. Dra inte sågen genom arbetsstycket. För att kapa, lyft upp såghuvudet och dra ut det över arbetsstycket utan att kapa, starta motorn, tryck ner såghuvudet och tryck ner sågen genom arbetsstycket.** Om du säger vid dragningen "klättrar" troligen sågklingan upp på arbetsstycket och kastar klingan kraftigt mot användaren.
 5. **För aldrig händerna över den avsedda kaplinjen, varken framför eller bakom sågklingan.** Att stödja arbetsstycket "korsvis" t.ex. genom att hålla arbetsstycket på höger sida med din vänstra hand eller vice versa är väldigt farligt.
- Fig.1
6. **Sträck inte in händerna bakom anhållet närmre än 100 mm på vardera sidan av sågklingan, varken för att ta bort trärester eller för några andra orsaker när klingan snurrar.** Närheten från den roterande sågklingan och din hand kanske inte är uppenbar och du kan skada dig allvarligt.
 7. **Inspektera arbetsstycket innan kapning. Om arbetsstycket är böjt eller vridet, spänn fast det med den böjda sidan mot anhållet. Se alltid till att det inte finns något mellanrum mellan arbetsstycket, anhållet och bordet utmed såglinjen.** Böjda eller vrängda arbetsstycken kan vrida sig eller flyttas och göra så att den roterande sågklingan fastnar när du kapar. Det får inte finnas spikar eller främmande föremål i arbetsstycket.
 8. **Använd inte sågen innan bordet är fritt från alla verktyg, träbitar mm., förutom arbetsstycket.** Små föremål eller lösa träbitar eller andra föremål som kommer i kontakt med den roterande klingan kan slungas iväg med hög hastighet.
 9. **Kapa endast ett arbetsstycke i taget.** Flera arbetsstycken staplade på varandra kan inte klämmas fast/stötts ordentligt och kan göra så att klingan fastnar eller flyttas vid kapning.
 10. **Se till att geringssågen är monterad eller placerad på en plan, stabil arbetsyta innan användning.** En plan och stabil arbetsyta minskar risken för att girsågen blir ostabil.
 11. **Planera ditt arbete. Varje gång du ändrar inställning på vinkeln eller geringssågen, se till att det justerbara anhållet är ordentligt inställt för att stödja arbetsstycket och inte stör med klingan eller skyddssystemet.** Utan att ställa verktyget i läge "PÅ" och utan arbetsstycke på bordet, förflytta sågklingan en komplett simulerad kapning för att säkerställa att inte anhållet stör eller risk föreligger att du säger i det.
 12. **Applicera tillräckligt med stöd, som bordsförlängning, sågbock etc. för arbetsstycken som är längre eller bredare än bordsskivan.** Arbetsstycken som är längre eller bredare än geringssågens bord kan välta om de inte stöds ordentligt. Om den kapade delen eller arbetsstycket välter kan de lyfta det nedre skyddet eller slungas ut av den roterande klingan.
 13. **Använd inte en annan person som ersättning för en bordsförlängning eller som extra stöd.** Ostabil stöd för arbetsstycket kan göra så att klingan fastnar eller så att arbetsstycket flyttas vid kapning, vilket kan dra både dig och den assisterande personen in i den roterande klingan.
 14. **Den kapade delen får inte fastna eller tryckas mot den roterande sågklingan på något sätt.** Om den begränsas, t.ex. med längdstopp, kan den kapade delen fastna mot klingan och slungas kraftigt.
 15. **Använd alltid en klämma eller skruvtving avsedd att korrek stödja runda material som stänger eller rör.** Stänger har en tendens att rulla när de kapas vilket får bladet att "bita" och dra arbetsstycket med din hand in i klingan.
 16. **Låt klingan uppnå full hastighet innan den kommer i kontakt med arbetsstycket.** Detta minskar risken för att arbetsstycket slungas iväg.
 17. **Om arbetsstycket eller klingan fastnar, stäng av geringssågen.** Vänta tills alla rörliga delar stannat och koppla från kontakten från strömkällan och/eller ta bort batteripaketet. Därefter kan du avlägsna det material som har fastnat. Att fortsätta säga med ett arbetsstycke som har fastnat kan leda till förlust av kontroll eller skada på geringssågen.
 18. **När du har kapat färdigt, släpp knappen, håll nere såghuvudet och vänta tills klingan har stannat innan du tar bort den kapade delen.** Att sträcka in handen nära den roterande klingan är farligt.
 19. **Håll handtaget stadigt när du gör ett ofullständigt kap eller när du släpper knappen innan såghuvudet är hela vägen nere.** Sagens bromsfunktion kan leda till att såghuvudet plötsligt dras nedåt och orsaka skada.
 20. **Använd endast sågklingor med den diameter som finns markerad på verktyget eller angeven i bruksanvisningen.** Om en klinga med fel storlek används kan det påverka klingans skydd eller skyddets funktion, vilket kan leda till allvarlig personskada.
 21. **Använd endast sågblad som är märkta med ett maximalt varvtal som är lika med eller högre än varvtalet som är märkt på maskinen.**
 22. **Använd inte sågen till annat än för sågning av trä, aluminium eller liknande material.**
 23. **(endast för länder i Europa) Använd alltid blad som överensstämmer med EN847-1.**
- Ytterligare instruktioner**
1. **Barnsäkra arbetsplatsen med hänglås.**
 2. **Stå aldrig på maskinen.** Allvarlig skada kan uppstå om maskinen välter eller om du oavsiktligt kommer i kontakt med skärverktyget.
 3. **Lämna aldrig maskinen oövervakad när den är igång. Bryt strömmen. Lämna inte maskinen förän den har stannat helt.**
 4. **Använd inte sågen om inte skydden är på plats. Kontrollera att klingskyddet är stängt före varje sågning. Använd inte sågen om klingskyddet kärvar och inte stängs omedelbart. Kila aldrig fast klingskyddet i öppet läge.**
 5. **Håll händerna borta från sågklingans väg. Undvik kontakt med roterande sågklingor. De kan fortfarande orsaka allvarliga skador.**
 6. **För att minska risken för skada ska vagnen föras tillbaka till den bakersta positionen efter varje tvärsågning.**

7. Fäst alltid alla rörliga delar innan du bär maskinen.
8. Läspinnen som låser såghuvudet på plats är endast avsedd att användas vid förvaring eller transport och inte för sågning.
9. Kontrollera före användning att knivarna inte är spruckna eller skadade. Byt omedelbart ut en skadad eller sprucken kniv. Gummi- och trärester på klingan hindrar sågningen och ökar risken för bakåtkast. Ta bort klingan från sågen och gör rent den med ett borttagningsmedel för gummi- och trärester, varmt vatten och fotogen. Använd aldrig bensin för att göra rent klingan.
10. Vid skjutsågning kan BAKÅTKAST ske. BAKÅTKAST sker när klingan fastnar i arbetsstycket vid sågning och sågklingan tvingas snabbt mot användaren. Detta kan leda till förlust av kontroll och allvarlig personskada. Om klingan börjar fastna vid sågning, fortsätt inte såga och släpp genast knappen.
11. Använd endast flänsar som är avsedda för den här maskinen.
12. Var försiktig så att inte axeln, flänsarna (särskilt monteringsytan) eller bulten skadas. Skador på någon av dessa delar kan medföra att bladet förstörs.
13. Se till att bordet är ordentligt fäst, så att det inte rör sig under arbetet. Använd hälen i basen för att fästa sågen i en stabil arbetsplattform eller bänk. Använd ALDRIG maskinen om du måste stå i en obekvämlig position.
14. Se till att spindellåset är öppet innan strömbrytaren slås på.
15. Kontrollera att bladet inte vidrör bordet i dess lägsta position.
16. Håll stadigt i handtaget. Var uppmärksam på att sågen rör sig något upp och ned under start och stopp.
17. Se till att bladet inte är i kontakt med arbetsstycket innan du trycker på avtryckaren.
18. Låt verktyget vara igång en stund innan det används på arbetsstycket. Kontrollera att bladet inte vibrerar eller skakar vilket kan innebära att det är felaktigt monterat eller dåligt balanserat.
19. Stanna maskinen omedelbart om du lägger märke till något onormalt.
20. Försök inte att låsa avtryckaren i läge "PÅ".
21. Använd alltid de tillbehör som rekommenderas i denna bruksanvisning. Opassande tillbehör som till exempel sliprondeller kan orsaka skada om de används.
22. Vissa material kan innehålla giftiga kemikalier. Se till att du inte andas in dammet eller får något på huden. Följ anvisningarna i leverantörens materialsäkerhetsblad.

Ytterligare säkerhetsanvisningar för lasern

1. LASERSTRÅLNING, TITTA INTE DIREKT IN I STRÅLEN ELLER ANVÄND OPTISKA INSTRUMENT, KLASS 2M LASERPRODUKT.

SPARA DESSA ANVISNINGAR.

⚠ VARNING: GLÖM INTE att också fortsättningsvis strikt följa säkerhetsanvisningarna för maskinen även efter att du blivit van att använda den. Vid FELAKTIG HANTERING av maskinen eller om inte säkerhetsanvisningarna i denna bruksanvisning följs kan följden bli allvariga personsador.

BESKRIVNING AV DELAR

► Fig.2

1	Skjutstång	2	Låstapp (för skjutning av vagn)	3	Vertikal tving	4	Frikopplingsknapp (för vinkel på höger sida)
5	Hållare	6	Geringsskiva	7	Pekare (för geringsvinkel)	8	Vinkel geringsskala
9	Spårbädd	10	Klinghölje	11	Justerskruv (för laserlinje)	12	Justerskruv, område (för laserlinje)
13	Bladskydd	14	Ratt (för vinkel)	15	Insexnyckel	16	Inställningsskruv (för nedre gränsläget)
17	Inställningsbult (för maximal sågningkapacitet)	18	Stopparm	19	Säkerhetsspärr (för geringsskiva)	20	Frikopplingsspak (för geringsskiva)
21	Handtag (för geringsskiva)	-	-	-	-	-	-

► Fig.3

1	Avtryckare	2	Startspärr	3	Hål för hänslås	4	Omkopplare (för laserlinje)
5	Slang (för dammuppsamling)	6	Låstapp (för upphöjning av vagn)	7	Anhåll (nedre anhåll)	8	Anhåll (övre anhåll)
9	Dampåse	10	0° inställningsbult (för vinkel)	11	Vinkelskala	12	Frikopplingsspak (för 48°-vinkel)
13	Spårreglage (för vinkel)	14	Pekare (för vinkel)	15	45° inställningsbult (för vinkel)	-	-

INSTALLATION

Installera handtaget

Skruva fast den gängade delen av gandtaget i geringsskivan.

► **Fig.4:** 1. Handtag 2. Geringsskiva

Montera slangen för dammupsamling

Anslut dammupsamlingsslangen till maskinen enligt bilden.

Se till att vinkelröret och hylsan passar ordentligt på maskinens öppning.

► **Fig.5:** 1. Dammupsamlings slang 2. Vinkelrör 3. Hylsa 4. Öppning

Bänkmontage

När maskinen levereras från fabriken är handtaget låst i nedsänkt läge av låstappen. Sänk handtaget lite, dra låstappen och vrid den 90°.

► **Fig.6:** 1. Låst position 2. Olåst position 3. Låstapp

Maskinen skall fästas på en plan och stabil yta med fyra bultar i de bulthål som finns i maskinens bottenplatta. Detta förhindrar att maskinen välter och orsakar skada.

► **Fig.7:** 1. Bult

⚠ VARNING: Se till att maskinen inte kan röra sig på stödytan. Om geringssågen rör sig på stödytan medan du sågar kan det leda till att du tappar kontrollen över maskinen och att allvarlig personskada uppstår.

FUNKTIONS BESKRIVNING

⚠ VARNING: Se alltid till att maskinen är avstängd och nätsladden urdragen innan du justerar eller funktionskontrollerar maskinen. I annat fall kan det leda till möjlig allvarlig personskada vid en oavsiktlig start.

Bladskydd

► **Fig.8:** 1. Bladskydd

När handtaget sänks ned, höjs klingskyddet automatiskt. Klingskyddet är försett med en fjäder så att det går tillbaka till ursprungsläget när sågningen är avslutad och handtaget höjs.

⚠ VARNING: Blockera aldrig eller avlägsna klingskyddet eller den fjäder som är fäst på skyddet. I annat fall kan det leda till allvarlig personskada under användningen.

För din personliga säkerhet bör klingskyddet alltid hållas i gott skick. Om klingskyddet inte fungerar som det ska måste detta åtgärdas direkt. Kontrollera även att fjädern gör att klingskyddet går tillbaka.

⚠ VARNING: Använd aldrig maskinen om klingskyddet eller fjädern är skadad, inte fungerar korrekt eller är borttagen. Att använda maskinen med ett skadat, trasigt eller demonterat skydd kan leda till allvarlig personskada.

Om det genomskinliga klingskyddet blir smutsigt eller om sågspån fastnar på det så att klingan och/eller arbetsstycket inte syns bra, måste maskinen kopplas bort från elnätet och skyddet rengöras noga med en fuktig trasa. Använd inte lösningsmedel eller petroleumbaserade rengöringsmedel då det skadar plasten i skyddet.

Om klingskyddet är så smutsigt att du inte kan se genom det, koppla från strömmen och lossa sexkantsbulten som fäster mitthöljet med den medföljande nyckeln. Lossa sexkantsbulten genom att vrida den moturs och lyft klingskyddet och mitthöljet. Med klingskyddet i detta läge är en mer noggrann och effektiv rengöring möjlig. När rengöringen är klar gör du i omvänd ordning och drar åt bulten. Ta inte bort det fjäderupphängda klingskyddet. Om klingskyddet blir missfärgat med tiden eller p.g.a. UV-ljus, kontakter du ett av Makitas servicecenter för att få ett nytt klingskydd. KLINGSKYDDET FÅR ALDRIG BLOCKERAS ELLER TAS BORT.

► **Fig.9:** 1. Mitthölje 2. Insexnyckel 3. Bladskydd

Spårbäddar

Denna maskin är utrustad med spårbädden infälld i geringsskivan, för att göra slitaget vid utgången av sågningen så minimalt som möjligt. Spårbädden är fabriksinställd så att sågklingan inte kommer i kontakt med den. Ställ in spårbädden på följande sätt före användning:

► **Fig.10:** 1. Spårbädd

► **Fig.11:** 1. Vänster vinkelsåg 2. Rak vinkelsåg 3. Höger vinkelsåg 4. Sågklinga 5. Bladtänder 6. Spårbädd

Dra först ur maskinens kontakt ur vägguttaget. Lossa alla skruvar (2 på varje sida) som håller fast spårbäddarna tills de fortfarande kan flyttas enkelt för hand. Sänk ner handtaget helt och dra och vrid låstappen för att fästa handtaget i det nedsänkta läget. Lossa låstappen på skjutstängens och dra vagnen helt mot dig. Justera spårbäddarna så att de precis vidrör sidorna på sågklingans tänder. Dra åt de främre skruvarna (dra inte åt hårt). Skjut vagnen helt mot anhället och justera spårbäddarna så att de precis lätt vidrör sidorna på klingans sågtänder. Dra åt de bakre skruvarna (dra inte åt hårt).

Dra ur låstappen och lyft handtaget efter att spårbäddarna justerats. Dra sedan åt alla skruvar ordentligt.

OBSERVERA: Försäkra dig om att spårbäddarna är korrekt justerade efter att du ställt in vinkeln för vinkelsågning. Korrekt justering av spårbäddarna ger ordentligt stöd för arbetsstycket och minimerar risken för att arbetsstycket nöts sönder.

Upprätthållande av maximal sågkapacitet

Denna maskin är fabriksinställd för maximal skärkapacitet för en 305 mm sågklinga.

När en ny klinga monteras måste klingans lägsta position alltid kontrolleras och om det är nödvändigt justeras enligt följande:

Dra först ur maskinens kontakt ur vägguttaget. Vrid spårarmen till aktiverat läge.

► **Fig.12:** 1. Spårarm

Tryck vagnen helt mot anhället och sänk handtaget helt och hållet.

Justera klingans position genom att vrida inställningsbulten med insexnyckeln. Klingans ytterkant ska vara lite nedanför geringsskivans ovsida samt där anhällets framsida möter geringsskivans ovsida.

► **Fig.13:** 1. Inställningsbult

► **Fig.14:** 1. Geringsskivans ovsida 2. Klingans ytterkant 3. Anhåll

Kontrollera att maskinens elkablar är utdragen och snurra på klingan för hand, medan handtaget hålls ner fullständigt, och kontrollera att klingan inte kommer i kontakt med någon del av den undre basplattan. Finjustera inställningen vid behov.

För alltid tillbaka lässpaken till dess ursprungliga läge efter justeringen.

⚠ VARNING: Efter monteringen av en ny klinga och med nåtsladden utdragen måste du alltid kontrollera att klingan inte går emot någon del av den undre basplattan när handtaget sänks ner helt. I annat fall kan det orsaka bakåtkast och resultera i allvarig personskada.

Stopparm

Den lägsta positionen för klingan kan enkelt justeras med stopparmen. Justera höjden genom att först vrida stopparmen i pilens riktning, såsom visas i figuren. Vrid inställningsskruven så att klingan stannar på önskat läge när maskinhandtaget sänks maximalt.

► **Fig.15:** 1. Stopparm 2. Inställningsskruv

Justering av geringsvinkeln

⚠ FÖRSIKTIGT: Fäst alltid geringsskivan genom att dra åt handtaget ordentligt efter ändringen av geringsvinkeln.

OBSERVERA: Lyft handtaget maximalt när geringsskivan vrids.

► **Fig.16:** 1. Säkerhetsspärr 2. Handtag 3. Frikopplingspak 4. Pekare

Rotera handtaget moturs för att låsa upp geringsskivan. Vrid handtaget samtidigt som du håller ner säkerhetsspärren för att vrida geringsskivan. Rikta in pekaren med önskad vinkel på skalan och dra därefter fast handtaget.

OBS: Om du trycker ner frikopplingsspaken kan du flytta geringsskivan utan att hålla ner säkerhetsspärren. Dra åt handtaget vid önskad position.

Denna geringssåg har en positiv stoppfunktion. Du kan snabbt ställa in 0°, 15°, 22,5°, 31,6°, 45° och 60° höger/vänster geringsvinkel. För att använda denna funktion, flytta geringsskivan nära önskat positiv stoppvinkel samtidigt som du håller ner säkerhetsspärren. Släpp därefter säkerhetsspärren och flytta geringsskivan framåt tills den är låst.

Justering av vinkeln vid vinkelsågning

OBSERVERA: Ta alltid bort de övre anhängen och det vertikala städet innan du justerar vinkel.

OBSERVERA: Vid ändring av vinkeln för vinkelsågning måste spårbädden ställas in ordentligt såsom beskrivits i avsnittet "Spårbäddar".

OBSERVERA: Lyft handtaget maximalt när sågklingan lutas.

OBSERVERA: Dra inte åt ratten för hårt. Att göra det kan leda till felfunktion hos vinkelsågningens läsmekanism.

1. Vrid ratten på skjutstängens moturs.

► **Fig.17:** 1. Ratt

2. Dra och vrid spårreglaget till positionen enligt bilden.

► **Fig.18:** 1. Spårreglage

3. Rikta in pekaren med önskad vinkel på skalan genom att flytta vagnen och dra därefter fast ratten.

► **Fig.19:** 1. Vinkelskala 2. Pekare

För att luta vagnen åt höger, ska du luta vagnen lätt åt vänster och därefter luta den åt höger samtidigt som du trycker ner frikopplingsknappen.

► **Fig.20:** 1. Frikopplingsknapp

Om du utför en vinkelsågning på mer än 45°, flytta vagnen samtidigt som du skjuter frikopplingsknappen mot maskinens front. Du kan utföra upp till 48° vinkelsågning.

► **Fig.21:** 1. Frikopplingspak

Denna geringssåg har en positiv stoppfunktion. Du kan snabbt ställa in 22,5° och 33,9° vinkel åt både höger och vänster. Ställ in spärreglaget i positionen enligt bilden och luta vagnen. För att ändra vinkel, dra spärreglaget och luta vagnen.

► **Fig.22:** 1. Spärreglage

⚠ FÖRSIKTIGT: Dra alltid åt ratten efter ändringen av vinkeln.

Skjutlås

För att låsa vagnens skjutrörelse, tryck den mot anhållet tills den stannar. Dra i låstappen och rotera den 90°.

► **Fig.23:** 1. Oläst position 2. Läst position 3. Låstapp

Avtryckarens funktion

⚠ VARNING: Innan du ansluter maskinen till elnätet måste du kontrollera att avtryckaren fungerar som den ska och återgår till läget "AV" när du släpper den. Tryck inte in avtryckaren hårt utan att ha tryckt in säkerhetsknappen. I annat fall kan avtryckaren skadas. Att använda en maskin med ett felaktigt säkerhetsgrepp kan leda till förlorad kontroll och allvarlig personskada.

⚠ VARNING: Använd ALDRIG maskinen om inte avtryckaren fungerar korrekt. Att använda maskinen när inte avtryckaren fungerar är MYCKET FARLIGT. Reparera den före fortsatt användning, eftersom det annars kan orsaka allvarlig personskada.

⚠ VARNING: Sätt ALDRIG säkerhetsknappens funktion ur spel genom att t.ex. tejpa fast den. I annat fall kan följden bli oavsiktlig aktivering och allvarlig personskada.

⚠ VARNING: Använd ALDRIG verktyget om det startar när du trycker in avtryckaren utan att ha tryckt in säkerhetsknappen. En säkerhetsknapp som behöver repareras kan orsaka oavsiktlig aktivering och allvarlig personskada. Returnera verktyget till ett Makita-servicecenter för reparation INNAN du fortsätter att använda det.

► **Fig.24:** 1. Avtryckare 2. Startspärr 3. Hål för hänglås

En startspärr förhindrar oavsiktlig aktivering av avtryckaren. Tryck in säkerhetsspärren och tryck därefter in avtryckaren för att starta maskinen. Släpp avtryckaren för att stoppa maskinen.

Avtryckaren är försedd med ett hål för insättning av ett hänglås för att låsa maskinen.

⚠ VARNING: Använd inte ett lås med en "nacke" eller kabel som är smalare än 6,35 mm i diameter. En smalare "nacke" eller kabel låser eventuellt inte maskinen i off-läget och oavsiktlig aktivering kan uppstå vilket resulterar i allvarlig personskada.

Elektronisk funktion

Konstant hastighetskontroll

Maskinen är utrustad med en elektronisk hastighetskontroll vilken hjälper att upprätthålla en konstant rotationshastighet för klingan även under belastning. En konstant rotationshastighet av klingan ger ett mycket jämnt skär.

Mjukstartfunktion

Denna funktion ger en mjuk uppstart av maskinen genom att begränsa vridmomentet vid uppstarten.

Laserstrålens funktion

Endast för modell LS1219L

⚠ FÖRSIKTIGT: Titta aldrig in i laserstrålen. Laserstrålen kan skada dina ögon.

Sätt på lasern genom att trycka upp till (I) på brytaren. Tryck ner till (O) på brytaren för att stänga av lasern.

► **Fig.25:** 1. Omkopplare för laser

Laserlinjen kan flyttas antingen till vänster eller till höger om sågklingan genom att justera inställningsskruven på följande sätt.

► **Fig.26:** 1. Inställningsskruv

1. Lossa inställningsskruven genom att skruva upp den moturs.
2. Medan inställningsskruven är lös skjuter du inställningsskruven till höger eller vänster så långt som möjligt.
3. Dra åt inställningsskruven ordentligt i det läge där den inte kan skjutas längre.

OBS: Laserlinsen är fabriksinställd så att den ligger inom 1 mm från sågklingans sida (sågposition).

OBS: När laserlinjen verkar oklar och är svår att se på grund av direkt solljus ska du byta till en mer skuggig arbetsplats.

Inriktning av laserlinje

Rikta in såglinjen i arbetsstycket längs laserlinjen.

► **Fig.27**

- A) När du vill erhålla korrekt storlek på vänster sida av arbetsstycket, växla laserlinjen till vänster sida av klingan.
B) När du vill erhålla korrekt storlek på höger sida av arbetsstycket, växla laserlinjen till höger sida av klingan.

OBS: Använd träskoning mot anhållet när såglinjen riktas längs laserlinjen vid sidan om anhållet, vid kombinationssågning (vinkelsågning 45° och geringsvinkel höger 45°).

MONTERING

⚠ VARNING: Se till att verktyget alltid är fränslaget och att kontakten är utdragen före åtgärder på verktyget. Underlåtenhet att stänga av och koppla ifrån verktyget kan leda till allvarlig personskada.

Förvaring av insexnyckel

Förvara insexnyckeln enligt figuren när den inte används, så att du alltid har den till hands.

► **Fig.28:** 1. Insexnyckel

Demontering och montering av sågklinga

⚠ VARNING: Kontrollera alltid att maskinen är avstängd och att nätkabeln är utdragen innan sågklingan monteras eller tas bort. Oavsiktligt start av maskinen kan leda till allvarlig personskada.

⚠ VARNING: Använd endast medföljande nyckel från Makita för att montera eller demontera sågklingan. Underlåtenhet att använda nyckeln kan leda till att insexbulten dras åt för mycket eller för lite vilket kan resultera i allvarlig personskada.

Lås alltid vagnen med upphöjd position när du demonterar och monterar sågklinga. Dra i låstappen och rotera den 90° med vagnen upphöjd.

► **Fig.29:** 1. Olåst position 2. Låst position 3. Låstapp

Demontera sågklinga

Lossa insexbulten som fäster mitthöljet med insexnyckeln. Lyft på klingskyddet och mitthöljet.

► **Fig.30:** 1. Mitthölje 2. Insexnyckel 3. Bladskydd

Tryck på spindellåset för att låsa spindeln och använd insexnyckeln för att lossa på insexbulten. Ta sedan bort insexbulten, den yttre flänsen och klingan.

► **Fig.31:** 1. Spindellås 2. Insexnyckel 3. Insexbult (vänstergångad) 4. Lossa 5. Dra åt

Montera sågklinga

Montera klingan försiktigt på spindeln och se till att riktningen på den pil som finns på klingans sida stämmer överens med pilens riktning på klinghöljet.

► **Fig.32:** 1. Pil på klinghöljet 2. Pil på klingan

Montera den yttre flänsen och insexbulten. Dra åt insexbulten moturs med hjälp av en insexnyckel samtidigt som du håller ner spindellåset.

► **Fig.33:** 1. Insexbult 2. Yttre fläns 3. Sågklinga 4. Inre fläns 5. Spindel 6. Ring

OBSERVERA: Om den inre flänsen tas bort, kontrollera att du sedan monterar den på spindeln med dess utskjutande del vänd bort från klingan. Om flänsen inte monteras korrekt kommer den att skava mot maskinen.

Sätt tillbaka klingskyddet och mitthöljet i dess ursprungliga läge. Dra sedan åt sexkantsbulten medurs för att fästa mitthöljet. Lås upp låstappen för att lossa vagnen från dess upphöjda position. Sänk ner handtaget för att försäkra dig om att klingskyddet fungerar som det ska. Kontrollera att spindellåset inte längre låser fast spindeln, innan du försöker säga.

⚠ VARNING: Innan klingan monteras på spindeln ska du alltid se till att korrekt insatsring för axelhålet på den klinga du ska använda, monteras mellan den inre och den yttre flänsen. Att använda fel insatsring för axelhålet kan leda till felaktig montering av klingan, vilket orsakar förflyttning av klingan och ger allvarliga vibrationer. Detta kan leda till att du förlorar kontrollen under användning, vilket kan orsaka allvarliga personskador.

Ansluta en dammsugare

Anslut en dammsugare från Makita till dammunstycket med de främre kopplingarna 24 (tillbehör) när du vill ha rent under sågningen.

► **Fig.34:** 1. Främre kopplingar 24 2. Slang 3. Dammsugare

Damppåse

Användning av en damppåse ger ett rent sågarbete och förenklar uppsamlingen av damm. För att ansluta damppåsen, ta bort dammuppsamlingsslangen på maskinen och anslut damppåsen.

► **Fig.35:** 1. Dammuppsamlings slang 2. Damppåse

Ta bort damppåsen från maskinen när den är cirka halvfyll och dra ut plastlåset. Töm dammsugarpåsen på dess innehåll och knacka på den lätt för att ta bort partiklar som har fastnat på insidan, vilka kan hindra fortsatt uppsamling.

► **Fig.36:** 1. Plastlås

Fastsättning av arbetsstycke

⚠ VARNING: Det är ytterst viktigt att alltid fästa arbetsstycket korrekt med rätt typ av tving eller kronliststopp. I annat fall kan det leda till allvarlig personskada och orsaka skada på maskinen och/eller arbetsstycket.

⚠ VARNING: Lyft aldrig klingan förrän den har stannat helt efter sågningen. I annat fall kan det leda till allvarlig personskada och skada på arbetsstycket.

⚠ VARNING: När du sågar ett arbetsstycke som är längre än sågens stödyta ska hela arbetsstycket stödjas, även den del som befinner sig utanför sågens stödyta, samt på samma höjd för att vara i nivå. Detta för att undvika att klingan nyper fast och ett eventuellt bakåtkast vilket kan leda till allvarlig personskada. Lita inte helt på att en vertikal och/eller horisontal tving ensam kan hålla fast arbetsstycket. Tunna material kan tyngas ner. Stötta hela arbetsstyckets längd för att undvika att klingan nyper fast och eventuellt orsakar ett BAKÅTKAST.

► **Fig.37:** 1. Stöd 2. Geringsskiva

Anhåll

⚠ VARNING: Kontrollera att det övre anhållet är ordentligt fäst innan du använder maskinen.

⚠ VARNING: Se till före vinkelsågningen att ingen del av maskinen, speciellt klingan, kommer i kontakt med de övre och de nedre anhållen när maskinhandtaget sänks ner eller höjs upp helt, eller när vagnen skjuts framåt eller dras bakåt hela vägen. Om maskinen eller klingan får kontakt med anhållet kan detta resultera i bakåtkast eller oväntad rörelse av material och allvarlig personskada.

Använd de övre anhållen för att stödja material högre än de nedre anhållen. Sätt i det övre anhållet i hålen på de nedre anhållen och dra åt spännskruven.

► **Fig.38:** 1. Övre anhåll 2. Nedre anhåll
3. Spännskruv 4. Inställningsskruv

OBSERVERA: De nedre anhållen är festsatta i basen på fabrik. Ta inte bort de nedre anhållen.

OBSERVERA: Om de övre anhållen fortfarande är lösa när du dragit fast spännskruven, vrid på inställningsskruven för att minska spelet. Inställningsskruven är fabriksinställd. Använd den inte om du inte måste.

Du kan förvara de övre anhållen i hållaren när de inte används. Använd clipset på det övre anhållet för att sätta fast det i hållaren.

► **Fig.39:** 1. Hållare 2. Övre anhåll 3. Clips

Vertikal tving

⚠ VARNING: Arbetsstycket måste fästas säkert mot geringsskivan och anhållet med tvingen under all användning. Om arbetsstycket inte är korrekt festsatt mot anhållet kan arbetsstycket röra sig under sågarbetet och orsaka möjlig skada på klingan och att arbetsstycket kastas iväg samt att du förlorar kontroll över maskinen vilket leder till allvarig personskada.

► **Fig.40:** 1. Tvingarm 2. Tvingens fäststav
3. Spännskruv 4. Tvingens ratt

Den vertikala tvingen kan monteras i två lägen på basen, antingen på vänster eller höger sida. Sätt i tvingens fäststav i hålet på basen.

Sätt tvingarmen i ett läge så att den passar till arbetsstyckets tjocklek och form och fäst den sedan genom att dra åt skruven. Om spännskruven kommer i kontakt med vagnen, måste den monteras på den andra sidan av tvingarmen. Se till att ingen del av maskinen kommer i kontakt med tvingen när maskinhandtaget sänks till sin lägsta position. Om någon del kommer i kontakt med tvingen monterar du om den.

Tryck arbetsstycket plant mot anhållet och geringsskivan. Placera arbetsstycket i önskat sågläge och fäst det stadigt genom att dra åt tvingens ratt.

OBS: För en snabb inställning av arbetsstycket, vrid ratten till 90° moturs för att kunna flytta tvingens ratt upp och ner. Vrid tvingens ratt medurs för att fästa arbetsstycket efter inställningen.

Horisontell tving

Valfria tillbehör

⚠ VARNING: Rotera alltid tvingmuttern medurs tills arbetsstycket är ordentligt fäst. I annat fall kan arbetsstycket röra sig under sågarbetet och orsaka möjlig skada på klingan och att arbetsstycket kastas iväg samt att du tappar kontrollen över maskinen, vilket kan leda till allvarig personskada.

⚠ VARNING: Använd alltid den horisontala tvingen när du sågar ett tunt arbetsstycke, såsom golvlister, mot anhållet.

⚠ FÖRSIKTIGT: När du kapar arbetsstycken av en tjocklek på 20 mm eller mindre, se till att använda en distanskloss för att fästa arbetsstycket.

Den horisontala tvingen kan monteras i två lägen, antingen på vänster eller höger sida av sågbordet. Vid geringssågning i 22,5° eller mer ska den horisontala tvingen monteras på motsatta sidan till den riktning i vilken geringsskivan skall vridas.

► **Fig.41:** 1. Tvingplatta 2. Tvingmutter 3. Tvingens ratt

Genom att vrida tvingmuttern moturs frigörs tvingen och kan snabbt flyttas inåt och utåt. För att fästa ett arbetsstycke trycker du tvingratten framåt tills tvingens platta kommer i kontakt med arbetsstycket och vrid sedan tvingmuttern medurs. Fäst sedan arbetsstycket genom att vrida tvingratten medurs.

OBS: Den maximala bredden på arbetsstycke som kan fästas med den horisontala tvingen är 228 mm.

Hållare

⚠ VARNING: Stöd alltid ett långt arbetsstycke så att det är på samma nivå som geringsskivans ovansida för att få ett exakt sågresultat och för att förhindra att du förlorar kontrollen över maskinen. Detta för att undvika att klingan nyper fast och ett eventuellt bakåtkast vilket kan leda till allvarig personskada.

För att hålla fast långa arbetsstycken horisontellt sitter hållare på varje sida av maskinen. Lossa på skruvarna och förläng hållarna till lämplig längd för att hålla arbetsstycket. Dra sedan åt skruvarna.

► **Fig.42:** 1. Hållare 2. Skruv

ANVÄNDNING

⚠ VARNING: Kontrollera att klingan inte är i kontakt med arbetsstycket eller något annat innan sågen startas. I annat fall kan det leda till bakåtkast och allvarlig personskada.

⚠ VARNING: Lyft aldrig klingan förrän den har stannat helt efter sågningen. I annat fall kan det leda till allvarlig personskada och skada på arbetsstycket.

⚠ VARNING: Utför inga inställningar på maskinen som att vrida på handtag, ratt eller spakar när klingan roter. Inställningar när klingan roterar kan leda till allvarliga personskador.

OBSERVERA: Se innan användning till att låsa upp låstappen och lossa handtaget från den nedre positionen.

OBSERVERA: Tryck inte för mycket på handtaget vid kapningen. Detta kan leda till att motorn överbelastas och/eller försämrad sågning. Tryck endast ner handtaget så mycket som behövs för att sågningen ska löpa smidigt utan att sågklingans hastighet minskar signifikant.

OBSERVERA: Tryck försiktigt ner handtaget för att såga. Om handtaget trycks ner hårt eller i sidled kommer klingan att vibrera vilket ger sågmärken i arbetsstycket samtidigt som sågprecisionen försämras.

OBSERVERA: Vid skjutsågning skall vagnen försiktigt skjutas mot anhållet utan att stoppa. Om vagnens rörelser upphör under sågningen lämnas ett märke på arbetsstycket och precisionen i snittet minskar.

Sågning genom tryck

⚠ VARNING: Läs alltid vagnens skjutande rörelse när du utför sågning genom skjutning. Sågning utan att låsa kan leda till bakåtkast vilket kan orsaka allvarlig personskada som följd.

Arbetsstycken som är upp till 92 mm höga och 183 mm breda kan sågas på följande sätt.

► Fig.43: 1. Låstapp

1. Tryck vagnen mot anhållet tills den stannar och lås den med låstappen.
2. Fäst arbetsstycket med rätt sorts tving.
3. Starta maskinen utan att klingan har kontakt med arbetsstycket och vänta tills klingan har uppnått full hastighet innan du sänker den.
4. Sänk sedan handtaget försiktigt tills det har sänkts helt, för att såga arbetsstycket.
5. Stäng av maskinen när sågningen är avslutad och vänta tills klingan har stannat helt, innan klingan återförs till sitt helt uppfällda läge.

Sågning genom skjutning (sågning av breda arbetsstycken)

⚠ VARNING: Vid skjutsågning ska du först dra vagnen fullständigt mot dig och trycka ner handtaget till dess helt nedsänkta läge. Skjut sedan vagnen mot anhållet. Börja aldrig sågningen om vagnen inte är dragen fullständigt mot dig. Om skjutsågning utförs utan att du dragit vagnen helt mot dig kan ett bakåtkast uppstå med risk för allvarlig personskada.

⚠ VARNING: Försök aldrig att utföra en skjutsågning genom att dra vagnen mot dig. Att dra vagnen mot dig medan du säger kan orsaka bakåtkast vilket resulterar i möjlig personskada.

⚠ VARNING: Utför aldrig skjutsågning med handtaget låst i det nedsänkta läget.

► Fig.44: 1. Låstapp

1. Läs upp låstappen så att vagnen kan skjutas fritt.
2. Fäst arbetsstycket med rätt sorts tving.
3. Dra vagnen mot dig helt och hållet.
4. Starta maskinen utan att klingan vidrör arbetsstycket och vänta tills klingan uppnår full hastighet.
5. Tryck ner handtaget och skjut vagnen mot anhållet och genom arbetsstycket.
6. Stäng av maskinen när sågningen är avslutad och vänta tills klingan har stannat helt, innan klingan återförs till sitt helt uppfällda läge.

Geringsågning

Se avsnittet "Inställning av geringsvinkeln" som förklarats tidigare.

Vinkelsågning

⚠ VARNING: Efter inställning av klingan för vinkelsågning och innan du börjar arbeta med maskinen, ska du se till att vagnen och klingan har fri väg genom hela skäret. Vagns- eller klingavbrott under sågningen kan orsaka bakåtkast och allvarlig personskada.

⚠ VARNING: Håll händerna borta från klingans såglinje när du utför en vinkelsågning. Klingans vinkel och den verkliga såglinjen kan förvirra användaren under sågningen och kontakt med klingan orsakar allvarlig personskada.

⚠ VARNING: Klingan ska aldrig lyftas förrän den har stannat helt. Under vinkelsågning kan det avsågade stycket ligga kvar mot klingan. Om klingan lyfts upp medan den roterar kan det avsågade stycket kastas ut av klingan och orsaka att material fragmenteras vilket kan resultera i allvarlig personskada.

OBSERVERA: När du trycker ner handtaget ska du trycka i samma riktning som klingan lutar. Om tryck appliceras vinkelrätt mot geringskivan eller om tryckets riktning ändras under pågående sågning minskar precisionen i sågningen.

► Fig.45

1. Ta bort det övre anhållet på den sida som du ska luta vagnen.
2. Lås upp låstappen.
3. Ställ in vinkeln enligt proceduren kallad "Justering av vinkeln vid vinkelsågning". Dra sedan åt ratten.
4. Fäst arbetsstycket med en tving.
5. Dra vagnen mot dig helt och hållet.
6. Starta maskinen utan att klingan vidrör arbetsstycket och vänta tills klingan uppnår full hastighet.
7. Sänk sedan handtaget försiktigt till dess helt nedsänkta läge medan tryck parallellt med klingan appliceras och **skjut vagnen mot anhållet för att såga arbetsstycket**.
8. Stäng av maskinen när sågningen är avslutad och **vänta tills klingan har stannat helt**, innan klingan återförs till sitt helt uppfällda läge.

Kombinationssågning

Kombinationssågning är en process där vinkelsågning utförs i kombination med att en geringsvinkel sågas i ett arbetsstycke. Kombinationssågning kan utföras vid vinkel som visas i tabellen nedan.

Geringsvinkel	Vinkel för vinkelsågning
Vänster och höger 0° - 45°	Vänster och höger 0° - 45°

Se avsnitten "Sågning genom tryck", "Sågning genom skjutning", "Geringsåsågning" och "Vinkelsågning" när du vill utföra kombinationssågning.

Kapa golvlister

⚠ FÖRSIKTIGT: Se till att använd den horisontella tvingen (tillbehör) när du kapar golvlister.

⚠ FÖRSIKTIGT: När du kapar arbetsstycken av en tjocklek på 20 mm eller mindre, se till att använda en distanskloss för att fästa arbetsstycket.

När du kapar golvlister i 45° vinkel, aktivera spärrarmen för att förhindra att klinghöljet kommer i kontakt med golvlisen. På så sätt upprätthålles avståndet mellan golvlisen och klinghöljet när vagnen skjuts hela vägen fram.

Se SPECIFIKATIONER för skärkapacitet av golvlister.

► **Fig.46:** 1. Spärrarm 2. Distanskloss 3. Horisontell tving

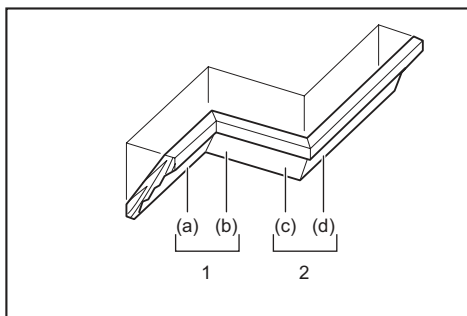
Sågning av kron- och hållister

Kron- och hållister kan sågas på en kap- och geringskombinationssåg med listerna placerade plant på geringskivan.

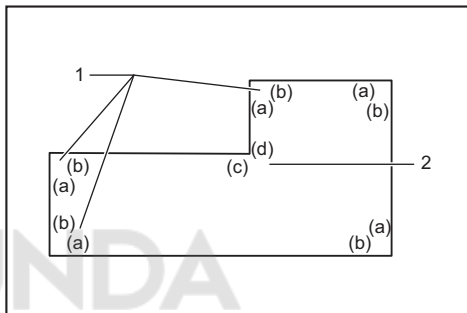
Det finns två vanliga sorter av kronlister och en sort av hållist; 52/38° väggvinklad kronlist, 45° väggvinklad kronlist och 45° väggvinklad hållist.

► **Fig.47:** 1. Kronlist med 52/38° 2. Kronlist med 45° 3. Hållist med 45°

Det finns kron- och hållistskarvar som är gjorda för att passa på "insidan" av 90° hörn ((a) och (b) i figuren) och "utsidan" av 90° hörn ((c) och (d) i figuren).



1. På insida av hörn 2. På utsida av hörn



1. På insida av hörn 2. På utsida av hörn

Mätning

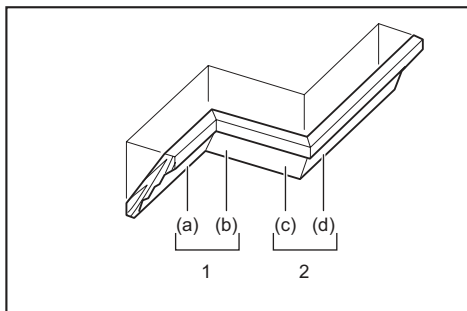
Mät väggens bredd och justera arbetsstyckets bredd enligt den. Se alltid till att bredden på arbetsstyckets väggkontaktyta är lika lång som väggens bredd.

► **Fig.48:** 1. Arbetsstycke 2. Väggens bredd 3. Arbetsstyckets bredd 4. Väggkontaktyta

Använd alltid flera bitar för testsågning för att kontrollera sågvinkeln.

Vid sågning av kron- och hållister ska vinkeln för vinkelsågning och geringsvinkeln ställas in såsom anges i tabell (A) och listerna placeras på sågbordet såsom visas i tabell (B).

Vid vänsterställd vinkelsågning



1. På insida av hörn 2. På utsida av hörn

Tabell (A)

-	Listposition i figuren	Vinkel för vinkelsågning		Geringsvinkel	
		52/38°-typ	45°-typ	52/38°-typ	45°-typ
För insida av hörn	(a)	Vänster 33,9°	Vänster 30°	Höger 31,6°	Höger 35,3°
	(b)			Vänster 31,6°	Vänster 35,3°
För utsidan av hörn	(c)			Höger 31,6°	Höger 35,3°
	(d)				

Tabell (B)

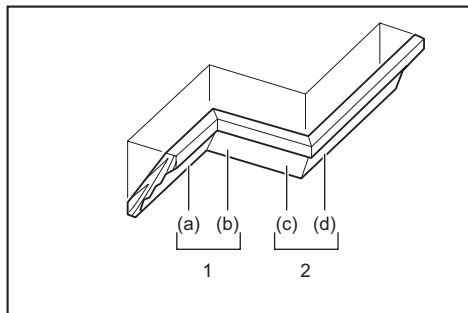
-	Listposition i figuren	Listkant mot anhållet	Färdigt stycke
För insida av hörn	(a)	Takkontaktyta bör ligga mot anhållet.	Det färdiga arbetsstycket hamnar på vänster sida om klingan.
	(b)	Väggkontaktyta bör ligga mot anhållet.	Det färdiga arbetsstycket hamnar på höger sida om klingan.
För utsidan av hörn	(c)	Takkontaktyta bör ligga mot anhållet.	Det färdiga arbetsstycket hamnar på vänster sida om klingan.
	(d)	Väggkontaktyta bör ligga mot anhållet.	Det färdiga arbetsstycket hamnar på höger sida om klingan.

Exempel:

Vid sågning av kronlist med 52/38° för position (a) i figuren ovan:

- Luta och fäst vinkeln vid 33,9° LEFT (VÄNSTER).
- Justera och fäst geringsvinkeln vid 31,6° RIGHT (HÖGER).
- Lägg kronlisten med dess breda baksida (dold) ner mot geringsskivan med TAKKANTEN mot anhållet på sågen.
- Den färdiga biten som ska användas är alltid på VÄNSTER sida om klingan efter det att sågningen är avslutad.

Vid högerställd vinkelsågning



1. På insida av hörn 2. På utsida av hörn

Tabell (A)

-	Listposition i figuren	Vinkel för vinkelsågning		Geringsvinkel	
		52/38°-typ	45°-typ	52/38°-typ	45°-typ
För insida av hörn	(a)	Höger 33,9°	Höger 30°	Höger 31,6°	Höger 35,3°
	(b)			Vänster 31,6°	Vänster 35,3°
För utsidan av hörn	(c)			Höger 31,6°	Höger 35,3°
	(d)				

Tabell (B)

-	Listposition i figuren	Listkant mot anhållet	Färdigt stycke
För insida av hörn	(a)	Väggkontaktyta bör ligga mot anhållet.	Det färdiga arbetsstycket hamnar på höger sida om klingan.
	(b)	Takkontaktyta bör ligga mot anhållet.	Det färdiga arbetsstycket hamnar på vänster sida om klingan.
För utsidan av hörn	(c)	Väggkontaktyta bör ligga mot anhållet.	Det färdiga arbetsstycket hamnar på höger sida om klingan.
	(d)	Takkontaktyta bör ligga mot anhållet.	Det färdiga arbetsstycket hamnar på vänster sida om klingan.

Exempel:

Vid sågning av kronlist med 52/38° för position (a) i figuren ovan:

- luta och fäst vinkeln vid 33,9° HÖGER.
- Justera och fäst geringsvinkeln vid 31,6° RIGHT (HÖGER).
- Lägg kronlisten med dess breda baksida (dold) ner mot geringsskivan med VÄGGKONTAKTYTA mot anhållet på sågen.
- Den färdiga biten som ska användas är alltid på HÖGER sida om klingan efter det att sågningen är avslutad.

Kronliststopp

Valfria tillbehör

Kronliststopp underlättar sågningen av kronlister utan att sågklingan måste luta. Montera dem på geringsskivan, såsom visas i figurerna.

Vid högerställd 45° geringsvinkel

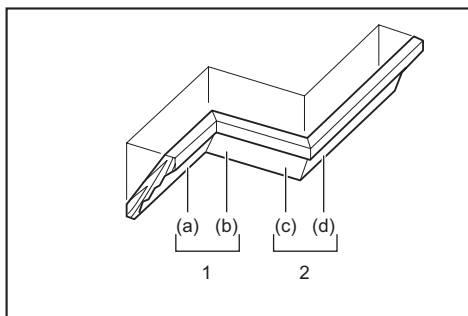
- **Fig.49:** 1. Kronliststopp V 2. Kronliststopp H
3. Geringssskiva 4. Anhållet

Vid vänsterställd 45° geringsvinkel

- **Fig.50:** 1. Kronliststopp V 2. Kronliststopp H
3. Geringssskiva 4. Anhållet

Placera kronlisten med dess VÄGGKONTAKTYTA mot anhållet och dess TAKKANT mot kronliststoppen, såsom visas i figuren. Justera kronliststoppen enligt kronlistens storlek. Dra åt skruvarna för att fästa kronliststoppen. Se tabell (C) för geringsvinkeln.

- **Fig.51:** 1. Anhållet 2. Kronliststopp



1. På insida av hörn 2. På utsida av hörn

Tabell (C)

-	Listposition i figuren	Geringsvinkel	Färdigt stycke
För insida av hörn	(a)	Höger 45°	Spara delen till höger om klingan
	(b)	Vänster 45°	Spara delen till vänster om klingan
För utsidan av hörn	(c)		Spara delen till höger om klingan
	(d)	Höger 45°	Spara delen till vänster om klingan

Sågning av aluminiumstycken

► **Fig.52:** 1. Tving 2. Distanskloss 3. Anhåll 4. Aluminiumstycke 5. Distanskloss

Använd klossar eller träbitar när ett aluminiumstycke skall fästas, såsom visas i figuren, för att förhindra att aluminiumstycket deformeras. Använd sågolja vid sågningen i aluminium, för att förhindra att aluminiummaterialet fastnar och lagras på klingan.

⚠ VARNING: Försök aldrig såga tjocka eller runda aluminiumstycken. Tjocka eller runda aluminiumstycken kan vara svåra att fästa och kan lossa under arbetet vilket kan leda till att du tappar kontrollen över maskinen och allvarlig skada uppstår.

Träskoning

⚠ VARNING: Använd skruvar för att fästa träskoningen på anhållet. Skruvarna ska fästas så att skruvhuvudena är placerade lägre än träskoningens yta, så att de inte påverkar läget för det material som ska sågas. Felaktig inriktning av materialet som ska sågas kan orsaka oväntad rörelse under sågarbetet vilket kan leda till att du förlorar kontrollen och orsaka allvarlig personskada.

⚠ FÖRSIKTIGT: Använd ett rakt trästycke av jämn tjocklek som skoning.

⚠ FÖRSIKTIGT: För att kunna avsluta skäret genom arbetsstycken med en höjd av 107 mm till 120 mm, ska en träskoning användas på anhållet. Träskoningen placerar arbetsstycket bort från anhållet och tillåter klingan att genomföra ett djupare skär.

OBSERVERA: Vrid inte på geringskivan när träskoningen sitter på och handtaget är nedsänkt. Detta skadar klingan och/eller träskoningen.

Skoning med trä hjälper till att ge en stickfri sågning av arbetsstycken. Sätt fast en skoning på anhållet med hjälp av hälen i anhållet och 6 mm skruvar.

I figuren visas dimensionerna på föreslagna träskoning.

► **Fig.53:** 1. Hål 2. Över 15 mm 3. Över 270 mm 4. 90 mm 5. 145 mm 6. 19 mm 7. 115 - 120 mm

EXEMPEL Vid sågning av arbetsstycken med en höjd av 115 mm och 120 mm ska en träskoning användas med följande tjocklek.

Geringsvinkel	Tjocklek på träskoning	
	115 mm	120 mm
0°	20 mm	38 mm
Vänster och höger 45°	15 mm	25 mm
Vänster och höger 60°	15 mm	25 mm

Spårsågning

⚠ VARNING: Försök inte utföra denna typ av sågning genom att använda en bredare (tjockare) klinga eller en dadoklinga. I annat fall kan det leda till oväntade sågresultat och möjligt bakåtkast vilket kan resultera i allvarlig personskada.

⚠ VARNING: Se noga till att stopparmen återförs till det ursprungliga läget vid annan sågning än spårsågning. Att försöka såga med stopparmen i fel läge kan leda till oväntade sågresultat och bakåtkast vilket kan resultera i allvarlig personskada.

Gör följande för sågning med dadoklinga:

- Justera klingans lägsta position genom att vrida på inställningsskruven och stopparmen för att ställa in klingans sågdjup. Se avsnittet "Stopparm" som beskrivits tidigare.
- Såga parallella spår tvärs över arbetsstyckets hela bredd genom skjutsågning (trycksågning), efter att klingans nedre gränsläge justerats.

► **Fig.54:** 1. Fräs spår med klingan
- Avlägsna sedanmaterialet mellan spårerna på arbetsstycket med ett stämjärn.

Särskild teknik för sågning med maxbreddskapacitet

Den maximala breddkapaciteten vid sågning för denna maskin kan erhållas genom att följa stegen nedan: För maximal sågbredd för denna maskin, se avsnittet "SPECIFIKATIONER" under rubriken "Kapningskapacitet för specialkapningar".

1. Ställ in maskinen vid 0° eller 45° geringsvinkel och kontrollera så att geringskivan är låst. (Se avsnittet med rubriken "Justering av geringsvinkeln".)

2. Ta tillfälligt bort både det högra och det vänstra övre anhängen och lägg dem åt sidan.

3. Såga en plattform med de dimensioner som anges i bilden ovan och använd ett 38 mm tjockt och plant material såsom trä, plywood eller spånskiva.

► **Fig.55:** 1. 0° Geringsvinkel: Över 450 mm 2. 45° Geringsvinkel: Över 325 mm 3. 38 mm 4. Över 760 mm

⚠ VARNING: Se till att använda ett plant material som plattform. Ett material som inte är plant kan röra sig under sågarbetet vilket kan resultera i ett bakåtkast och ge allvarlig personskada.

OBS: Den maximala sågkapaciteten i höjd kommer att minska med samma storlek som plattformens tjocklek.

4. Placera plattformen på maskinen så att den sträcker sig lika långt ut över varje sida på sågbordet. Fäst plattformen på maskinen med fyra 6 mm träskruvar genom de fyra hålen i de nedre anhängen.

► **Fig.56:** 1. Skruvar (två på vardera sida) 2. Nedre anhäng 3. Bottenplatta 4. Plattform

⚠ VARNING: Kontrollera så att plattformen ligger plant mot sågbordet och att den är ordentligt fäst mot de nedre anhängen genom de fyra skruvhålen. Att inte fästa plattformen säkert kan resultera i förflyttning och ge möjligt bakåtkast som leder till allvarlig personskada.

⚠ VARNING: Försäkra dig om att maskinen är ordentligt monterad på en stabil och plan yta. I annat fall kan det leda till att maskinen blir ostabil vilket resulterar i att du förlorar kontrollen över den och/eller att maskinen faller vilket kan leda till allvarlig personskada.

5. Montera de övre anhängen på maskinen.

⚠ VARNING: Använd inte maskinen utan de övre anhängen monterade. De övre anhängen ger det adekvata stöd som krävs för att såga arbetsstycket. Om arbetsstycket inte stöds ordentligt kan det förflytta sig vilket eventuellt kan leda till att du förlorar kontrollen över den och orsaka ett bakåtkast och allvarlig personskada.

6. Placera arbetsstycket som ska sågas på plattformen, vilken är fäst på maskinen.

7. Fäst arbetsstycket ordentligt mot de övre anhängen med en tving före sågningen.

► **Fig.57:** 1. Övre anhäng 2. Vertikal tving 3. Arbetsstycke 4. Plattform

8. Såga igenom arbetsstycket långsamt enligt anvisningen under rubriken "Sågning genom skjutning (sågning av breda arbetsstycken)".

⚠ VARNING: Kontrollera så att arbetsstycket är fäst med tvingen och såga långsamt. I annat fall kan arbetsstycket röra sig vilket resulterar i möjligt bakåtkast och allvarlig personskada.

⚠ VARNING: Tänk på att plattformen kan försvagas efter flera skär vid olika geringsvinklar. Om plattformen blir försvagad p.g.a. att många spår-sågningar har gjorts i den ska plattformen bytas ut. I annat fall kan arbetsstycket ändra läge under sågarbetet vilket leder till möjligt bakåtkast och allvarlig personskada.

Bära maskinen

Innan du flyttar den måste du se till att alla rörliga delar på geringssågen är festsatta. Kontrollera alltid följande:

- Att strömmen är fränkopplad.
- Att vagnen är i 0° vinkel och säkrad.
- Att vagnen är nedsänkt och låst.
- Att vagnen är helt skjuten mot anhänglet och låst.
- Att geringsskivan är mot den högra geringsvinkeln och säkrad.
- Att hållarna är i förvaringen och säkrade.

Bär maskinen genom att hålla i båda sidorna av sågbordet, såsom visas i figuren.

► **Fig.58**

⚠ VARNING: Låstappen för upphöjning av vagnen används endast när maskinen ska bäras och förvaras och inte när sågning utförs. Att använda låstappen vid sågarbeten kan leda till oavsiktlig rörelse av sågklingan vilket orsakar bakåtkast och allvarlig personskada.

⚠ FÖRSIKTIGT: Fäst alltid alla rörliga delar innan du bär maskinen. Om delar av maskinen rör sig eller glider medan du bär den kan du förlora kontrollen eller balansen över maskinen vilket kan leda till personskada.

UNDERHÅLL

⚠ VARNING: Se alltid till att maskinen är avstängd och nätkabeln urdragen innan inspektion eller underhåll utförs. I annat fall kan det leda till möjlig allvarlig personskada vid en oavsiktlig start.

⚠ VARNING: Se alltid till att klingan är vass och ren för att få ett så bra och säkert resultat som möjligt. Att försöka såga med en slö och/eller smutsig klinga kan orsaka bakåtkast och resultera i allvarlig personskada.

OBSERVERA: Använd inte bensen, förtunningsmedel, alkohol eller liknande. Missfärgning, deformation eller sprickor kan uppstå.

Inställning av sågvinkeln

Maskinen är noga inställd och inriktad på fabriken, men ovarsam hantering kan påverka detta. Om maskinen inte är korrekt riktad gör du på följande sätt:

Geringsvinkel

Sänk ned handtaget helt och lås det i nedsänkt läge med låstappen. Tryck fram vagnen mot anhållet. Lossa på handtaget och skruvarna som håller fast pekaren och vinkelskalan.

► **Fig.59:** 1. Skruv på pekare 2. Skruvar på gerings-skala 3. Gerings skala

Ställ geringskivian i position 0° med den positiva stoppfunktionen. Rikta in klingans sida vinkelrätt med anhållets yta med en vinkelhake. Dra åt skruvarna på geringskalan samtidigt som du ser till att klingan fortfarande är vinkelrät mot anhållet. Rikta därefter in pekarna (både höger och vänster) med position 0° på geringskalan och dra åt skruven på pekaren.

► **Fig.60:** 1. Vinkelhake

Vinkel för vinkelsågning

0° vinkel för vinkelsågning

Tryck vagnen mot anhållet och låst skjutrörelsen med låstappen. Sänk ned handtaget helt och lås det i nedsänkt läge med låstappen och lossa därefter ratten. Vrid inställningsbulten för 0° två eller tre varv moturs för att luta klingan åt höger.

► **Fig.61:** 1. Inställningsbult för 0° 2. Skruv

Justera noggrant klingans sida och geringskivians ovansida i rät vinkel med en vinkelhake, vinkelinjal etc. genom att vrida inställningsbulten för 0° medurs. Dra därefter åt ratten för att säkra den 0°-vinkel som du ställt in.

► **Fig.62:** 1. Vinkelhake 2. Sägklinga
3. Geringskivians ovansida

Kontrollera igen om klingans sida är i rät vinkel med geringskivians yta. Lossa på skruven på pekaren. Rikta in pekaren med 0°-position på vinkelskalan och dra därefter åt skruven.

45° vinkel för vinkelsågning

OBSERVERA: Innan justering av 45°-vinkeln för vinkelsågning, avsluta först justeringen av 0°-vinkeln för vinkelsågning.

Lossa på ratten och luta vagnen helt åt den sida som du vill kontrollera. Kontrollera om pekaren indikerar 45°-position på vinkelskalan.

► **Fig.63**

Om pekaren inte indikerar 45°-position, rikta in den med 45°-position genom att justeraa inställningsbulten på vinkelskalans motsatta sida.

► **Fig.64:** 1. Vänster inställningsbult för 45° 2. Höger inställningsbult för 45°

Inställning av laserlinjens läge

Endast för modell LS1219L

⚠VARNING: Maskinen måste vara inkopplad när du justerar laserlinjen. Var särskilt försiktig så att du inte startar maskinen under inställningen. Oavsiktlig start av maskinen kan leda till allvarlig personskada.

⚠FÖRSIKTIGT: Titta aldrig direkt in i laserstrålen. Det kan allvarligt skada ögonen.

OBSERVERA: Kontrollera regelbundet laserlinjens läge för att bibehålla noggrannheten.

OBSERVERA: Var försikt med stötar mot maskinen. Det kan få laserlinjen att bli felinriktad, eller så kan det skada lasern och minska laserns livslängd.

OBSERVERA: Låt maskinen repareras på ett auktoriserat Makita servicecenter om det uppstår något fel på laserenheten.

Laserlinjens justerbara område fastställs av justerskruvarna för område på båda sidor. Utför följande procedurer för att ändra laserlinjens position.

1. Dra ur maskinens kontakt ur vägguttaget.
2. Rita in en såglinje på arbetsstycket och placera det på geringskivian. Sätt in fast arbetsstycket nu med tving eller liknande.
3. Sänk handtaget och rikta in såglinjen med sågklingan.
4. Återför handtaget till ursprungsposition och säkra arbetsstycket med den vertikala tvingen så att arbetsstycket inte flyttar sig från den position du bestämt.
5. Anslut maskinen och starta lasern.
6. Lossa inställningsskruven. För att flytta laserlinjen bort från klingan, vrid justerskruvarna för område moturs. För att flytta laserlinjen mot klingan, vrid justerskruvarna för område medurs.

Justera laserlinjen på vänster sida om klingan

► **Fig.65:** 1. Inställningsskruv 2. Justerskruv för område 3. Insexnyckel 4. Laserlinje 5. Sägklinga

Justera laserlinjen på höger sida om klingan.

► **Fig.66:** 1. Inställningsskruv 2. Justerskruv för område 3. Insexnyckel 4. Laserlinje 5. Sägklinga

7. Skjut inställningsskruven till sådan position att laserlinjen ligger på såglinjen och dra åt.

OBS: Laserlinjens flyttbara område är fabriksinställt inom 1 mm från sågklingans sidoyta.

Rengöring av laserlinsen

Endast för modell LS1219L

Laserljustet blir svårt att se om laserlinsen blir smutsig. Gör rent linsen med jämna mellanrum.

► **Fig.67:** 1. Skruv 2. Lins

Dra ur maskinens kontakt ur vägguttaget. Lossa på skruven och dra ut linsen. Gör rent linsen försiktigt med en fuktig trasa.

OBSERVERA: Ta inte bort skruven som fäster linsen. Om inte linsen går att ta ut, lossa mer på skruven.

OBSERVERA: Använd inte lösningsmedel eller petroleumbaserade rengöringsmedel på linsen.

Byte av kolborstar

► **Fig.68:** 1. Gränsmarkering

Ta bort och kontrollera kolborstarna regelbundet. Byt ut dem när de är slitna ner till slitmarkeringen. Håll kolborstarna rena så att de lätt kan glida in i hållarna. Båda kolborstarna bör bytas ut samtidigt. Använd endast identiska kolborstar.

Använd en skruvmejsel för att ta bort locken till kolborstarna. Ta ur de utslitna kolborstarna, montera de nya och sätt tillbaka locken.

► **Fig.69:** 1. Lock till kolborstar

Anslut maskinen till elnätet efter att kolborstarna har byts ut och kör in kolborstarna genom att maskinen körs utan belastning under cirka 10 minuter. Kontrollera sedan maskinen när den körs och den elektroniska bromsfunktionen när avtryckaren släpps. Om den elektriska bromsfunktionen inte fungerar korrekt ska maskinen repareras på ett Makita servicecenter.

Efter användning

Ta bort de spån och det damm som har fastnat på maskinen med en tygduk eller liknande efter att arbetet är avslutat. Se till att du håller klingskyddet rent, i enlighet med de anvisningar som tidigare beskrivits i avsnittet med titeln "Klingskydd". Smörj in de rörliga delarna med maskinolja för att förhindra rostbildning.

För att upprätthålla produktens SÄKERHET och TILLFÖRLITLIGHET bör allt underhålls- och justeringsarbete utföras av ett auktoriserat Makita servicecenter och med reservdelar från Makita.

VALFRIA TILLBEHÖR

⚠️ VARNING: Dessa tillbehör eller tillsatser från Makita rekommenderas för användning med den Makita-maskin som denna bruksanvisning avser.

Om andra tillbehör eller tillsatser används kan det resultera i allvarlig personskada.

⚠️ VARNING: Använd endast tillbehören eller tillsatserna från Makita för de syfte de är avsedda för. Felaktig hantering av tillbehör eller delar kan leda till allvarlig personskada.

Kontakta ditt lokala Makita servicecenter om du behöver ytterligare information om dessa tillbehör.

- HM-pläterad sågklinga av stål
- Vertikal tving
- Horisontell tving
- Sats för kronlisttopp
- Dampåse
- Vinkelhake
- Insexnyckel
- Insexnyckel (för LS1219L)

OBS: Några av tillbehören i listan kan vara inkluderade i maskinpaketet som standardtillbehör. De kan variera mellan olika länder.

TEKNISKE DATA

Modell:		LS1219	LS1219L
Bladdiameter		305 mm	
Hulldiameter	Land i Europa	30 mm	
	Land utenfor Europa	25,4 mm	
Sagbladets maks. snittykkelse		3,2 mm	
Maks gjæringsvinkel		Høyre 60°, venstre 60°	
Maks skjæringsvinkel		Høyre 48°, venstre 48°	
Hastighet uten belastning (o/min)		3 200 min ⁻¹	
Lasertype		-	Rød laser 650 nm, maksimal effekt < 1,6 mW (laserklasse 2M)
Mål (L x B x H)		898 mm x 664 mm x 725 mm	
Nettovekt		29,3 kg	29,5 kg
Sikkerhetsklasse		□/II	

Skjærekapasitet (H x B)

Gjøringsvinkel			Skråvinkel		
			45° (venstre)	0°	45° (høyre)
0°	-	-	61 mm x 382 mm 71 mm x 363 mm	92 mm x 382 mm 107 mm x 363 mm	44 mm x 382 mm 54 mm x 363 mm
	Tykkelse på gjæringskloss på føringsflaten for økt skjærehøyde	20 mm 38 mm	78 mm x 325 mm 80 mm x 292 mm	115 mm x 325 mm 120 mm x 292 mm	61 mm x 325 mm -
45° (høyre og venstre)	-	-	61 mm x 268 mm 71 mm x 255 mm	92 mm x 268 mm 107 mm x 255 mm	44 mm x 268 mm 54 mm x 255 mm
	Tykkelse på gjæringskloss på føringsflaten for økt skjærehøyde	15 mm 25 mm	-	115 mm x 227 mm 120 mm x 212 mm	-
60° (høyre og venstre)	-	-	-	92 mm x 185 mm 107 mm x 178 mm	-
	Tykkelse på gjæringskloss på føringsflaten for økt skjærehøyde	15 mm 25 mm	-	115 mm x 155 mm 120 mm x 140 mm	-

Skjærekapasitet for spesialsaging

Sagemetode	Skjærekapasitet
Profilist med 45° vinkel (ved bruk av stopper for profilist)	203 mm
Basisbord (ved bruk av horisontal skrustikke)	171 mm

- På grunn av vårt kontinuerlige forsknings- og utviklingsprogram kan spesifikasjonene som oppgis i dette dokumentet endres uten varsel.
- Spesifikasjonene kan variere fra land til land.
- Vekt i henhold til EPTA-prosedyre 01/2014

Symboler

Nedenfor ser du symbolene som brukes for dette utstyret. Forviss deg om at du forstår hva de betyr, før du begynner å bruke maskinen.



Les bruksanvisningen.



DOBBEL ISOLERING



Etter at du har skåret, bør du holde sagen ned helt til bladet stopper, for å unngå skade fra flyvende rester.



Når du utfører glidekutt, må du først dra føreanlegget helt og trykke ned håndtaket. Trykk deretter føreanlegget mot veiledningsanlegget.



Ikke plasser hender eller fingre i nærheten av sagbladet.



Se aldri inn i laserstrålen. Direkte laserstråler kan skade øynene dine.



Kun for land i EU
Ikke kast elektrisk utstyr sammen med husholdningsavfall! I henhold til EU-direktivet om kasserte elektriske og elektroniske produkter og direktivets iverksetting i nasjonal rett, må elektriske produkter som ikke lenger skal brukes, samles separat og returneres til et miljøvennlig gjenvinningsanlegg.

⚠ ADVARSEL: De genererte vibrasjonene ved faktisk bruk av elektroverktøyet kan avvike fra den angitte vibrasjonsverdien, avhengig av hvordan verktøyet brukes.

⚠ ADVARSEL: Sørg for å identifisere vernetiltak for å beskytte operatøren, som er basert på et estimat av eksponeringen under de faktiske bruksforholdene (idet det tas hensyn til alle deler av driftssyklusen, dvs. hvor lenge verktøyet er slått av, hvor lenge det går på tomgang og hvor lenge startbryteren faktisk holdes trykket).

EFs samsvarserklæring

Gjelder kun for land i Europa

EFs samsvarserklæring er lagt til som vedlegg A i denne bruksanvisningen.

Riktig bruk

Dette verktøyet er laget for nøyaktig og rett gjærings-saging i tre. Med de riktige sagbladene, kan også aluminium sages.

Strømforsyning

Maskinen må bare kobles til en strømkilde med samme spenning som vist på typeskiltet, og kan bare brukes med enfase-vekselstrømforsyning. Den er dobbelt verneisoleret og kan derfor også brukes fra kontakter uten jording.

Støy

Typisk A-vektet lydtryknivå er bestemt i henhold til EN62841:

Modell LS1219

Lydtryknivå (L_{pA}): 91 dB (A)
Lydeffektnivå (L_{WA}): 100 dB (A)
Usikkerhet (K): 3 dB (A)

Modell LS1219L

Lydtryknivå (L_{pA}): 91 dB (A)
Lydeffektnivå (L_{WA}): 100 dB (A)
Usikkerhet (K): 3 dB (A)

⚠ ADVARSEL: Bruk hørselsvern.

Vibrasjoner

Den totale vibrasjonsverdien (triaksial vektorsum) bestemt i henhold EN62841:

Modell LS1219

Genererte vibrasjoner (a_h): 2,5 m/s² eller mindre
Usikkerhet (K): 1,5 m/s²

Modell LS1219L

Genererte vibrasjoner (a_h): 2,5 m/s² eller mindre
Usikkerhet (K): 1,5 m/s²

MERK: Den angitte verdien for de genererte vibrasjonene er målt i samsvar med standardtestmetoden og kan brukes til å sammenlikne et verktøy med et annet.

MERK: Den angitte verdien for de genererte vibrasjonene kan også brukes til en foreløpig vurdering av eksponeringen.

SIKKERHETSADVARSEL

Generelle advarsler angående sikkerhet for elektroverktøy

⚠ ADVARSEL: Les alle sikkerhetsadvarsler, instruksjoner, illustrasjoner og spesifikasjoner som følger med dette elektroverktøyet. Hvis ikke alle instruksjonene nedenfor følges, kan det forekomme elektrisk støt, brann og/eller alvorlig skade.

Oppbevar alle advarsler og instruksjoner for senere bruk.

Uttrykket «elektrisk verktøy» i advarslene refererer både til elektriske verktøy (med ledning) tilkoblet strømmettet, og batteridrevne verktøy (uten ledning).

Sikkerhetsanvisninger for gjærings-sager

- Gjærings-sager er beregnet på saging av tre eller treaktige produkter. De må ikke brukes med kappeskiver med slipeeffekt for å sage materialer som f.eks. stenger, stolper, nagler, osv. Slipestøv får bevegelige deler, som f.eks. det nedre vernet, til å kile seg. Gnister fra slipende saging vil brenne det nedre vernet, snittinnsatsen og andre plastdeler.**
- Bruk klemmer for å holde arbeidsstykket på plass så sant det er mulig. Hvis du holder arbeidsstykket med hånden, må du alltid holde hånden minst 100 mm unna hver side av sagbladet. Ikke bruk denne sagen til å sage stykker som er for små til å festes godt med klemmer eller holdes med hånden. Hvis du holder hånden for nær sagbladet, øker faren for skade som følge av kontakt med bladet.**
- Arbeidsstykket må være i ro og holdes fast med klemmer eller hånden både mot anleggsflaten og bordet. Ikke mat arbeidsstykket inn i bladet eller sag på "frihånd". Arbeidsstykker som ligger løst eller beveger seg kan kastes tilbake i høy hastighet og forårsake skader.**

4. **Skyv saken gjennom arbeidsstykket. Ikke dra saken gjennom arbeidsstykket.** Når du skal sage, hever du saghodet og drar det ut over arbeidsstykket uten å sage, starter motoren, presser saghodet ned og skyver saken gjennom arbeidsstykket. Hvis du sager samtidig som du drar, vil sagbladet mest sannsynlig bevege seg oppå arbeidsstykket og slynge bladenheten mot operatøren med voldsom kraft.
 5. **Du må aldri krysse hånden over den tiltenkte skjærelinjen, verken foran eller bak sagbladet.** Å holde arbeidsstykket "med hendene i kryss", dvs. at du holder arbeidsstykket til høyre for sagbladet med venstrehånden eller motsatt, er svært farlig.
 - **Fig.1**
 6. **Ikke strekk hånden nærmere enn 100 mm fra hver side av sagbladet bak anleggsflaten for å fjerne rester av tre – eller av noen som helst annen grunn – mens bladet sviver.** Det er ikke sikkert at du merker hvor nær hånden er det svivende sagbladet, og du kan bli alvorlig skadet.
 7. **Undersøk arbeidsstykket før du sager. Hvis arbeidsstykket er bøyd eller vridd, klemmer du det med den utvendige buede flaten mot anleggsflaten. Pass alltid på at det ikke noen avstand mellom arbeidsstykket, anleggsflaten og bordet langs skjærelinjen.** Bøyde eller vridd arbeidsstykker kan vri eller flytte på seg, og det kan føre til at arbeidsstykket setter seg fast i det svivende sagbladet under saging. Det må ikke være spiker eller fremmedlegemer i arbeidsstykket.
 8. **Ikke bruk saken før bordet er fritt for alt verktøy, alle rester av tre, osv. unntatt arbeidsstykket.** Små rester, løse trebiter eller andre gjenstander som kommer i kontakt med det roterende bladet, kan bli kastet tilbake i høy hastighet.
 9. **Du må kun sage ett arbeidsstykke om gangen.** Det er umulig å klemme eller holde fast flere arbeidsstykker som er stablet oppå hverandre tilstrekkelig, og de kan sette seg fast i bladet eller bevege seg under saging.
 10. **Sørg for at gjæringssagen er montert eller plassert på en jevn, fast arbeidsflate før bruk.** En jevn og fast arbeidsflate reduserer faren for at gjæringssagen blir ustabil.
 11. **Planlegg arbeidet. Hver gang du endrer skrå- eller gjæringsvinkelen, må du sørge for at den justerbare anleggsflaten er stilt riktig inn for å holde arbeidsstykket uten at den kommer i konflikt med bladet eller vernesystemet.** Uten å slå på verktøyet og uten arbeidsstykket på bordet, beveger du sagbladet gjennom en fullstendig simulert skjæring for å sikre at det ikke vil oppstå konflikt eller fare for å sage i anleggsflaten.
 12. **Sørg for tilstrekkelig støtte som bordforlenger, sagkrakker, osv. hvis arbeidsstykket er bredere eller lengre enn bordplaten.** Arbeidsstykker som er lengre eller bredere enn gjæringssagbordet kan vippe hvis de ikke har tilstrekkelig støtte. Hvis stykket som er saget av eller arbeidsstykket vipper, kan det nedre vernet bli løftet opp eller kastet tilbake av det svivende bladet.
 13. **Ikke bruk en annen person som erstatning for en bordforlenger eller som ekstra støtte.** Hvis ikke arbeidsstykket støttes tilstrekkelig, kan det føre til at bladet setter seg fast eller at arbeidsstykket flytter seg under sagingen, slik at du og medhjelperen din blir trukket inn i det svivende bladet.
 14. **Stykket som er saget av må ikke på noen måte kiles eller presses mot det svivende sagbladet.** Hvis stykket som er saget av blir klemt inne, dvs. av lengdestoppere, kan det treffe bladet og bli kastet tilbake med voldsom kraft.
 15. **Bruk alltid en klemme eller et festeelement som er beregnet på å holde runde materialer som stenger eller rør.** Stenger har en tendens til å rulle når de sages, slik at bladet "biter seg fast" og trekker arbeidsstykket og hendene dine inn i bladet.
 16. **La bladet nå fullhastighet før du setter det i kontakt med arbeidsstykket.** Dette reduserer faren for at arbeidsstykket kastes tilbake.
 17. **Hvis arbeidsstykket eller bladet kiler seg, må du slå av gjæringssagen. Vent til alle bevegelige deler har stanset, og trekk støpset ut av stikkkontakten og/eller ta ut batteriet. Deretter fjerner du det fastkilt materialet.** Hvis du fortsetter å sage når et arbeidsstykke har kilt seg, kan du miste kontrollen eller skade gjæringssagen.
 18. **Når du er ferdig å sage, slipper du bryteren, holder saghodet nede, og venter til bladet stanser før du tar bort stykket som er saget av.** Det er farlig å bevege hånden i nærheten av det rullende bladet.
 19. **Hold godt tak i hendelen når du utfører en ufullstendig skjæring eller når du slipper bryteren før saghodet er helt nede.** Når saken bremses ned, kan saghodet trekkes brått nedover og forårsake personskaade.
 20. **Bruk bare sagbladet med diameter som er merket på verktøyet eller spesifisert i håndboken.** Bruk av et blad med feil størrelse kan påvirke riktig beskyttelse av bladet eller bruk av bladvernet, som kan resultere i alvorlig personskaade.
 21. **Bruk bare sagbladene som er merket med en hastighet som er lik eller høyere enn hastigheten som er merket på verktøyet.**
 22. **Ikke bruk saken til å sage annet enn tre, aluminium og lignende materialer.**
 23. **(Kun land i Europa.)
Bruk alltid bladet som overholder EN847-1.**
- Ekstra anvisninger**
1. **Gjør verkstedet barnesikkert med hengelåser.**
 2. **Du må aldri stå på verktøyet.** Hvis verktøyet vippes eller ved utilsiktet kontakt med skjæreverktøyet, kan det oppstå alvorlig personskaade.
 3. **La aldri verktøyet svive uten tilsyn. Slå av strømmen. Ikke forlat verktøyet før det har stanset helt opp.**
 4. **Ikke bruk verktøyet uten at vernet er på plass. Kontroller at det nedre vernet er ordentlig lukket før bruk.** Ikke begynn å bruke saken hvis det nedre vernet ikke beveger seg fritt og lukker seg momentant. Bladvernet må aldri klemmes fast eller bindes opp i åpen stilling.
 5. **Hold hendene unna sagbladets bane. Unngå kontakt med rullende blader. Det kan føre til alvorlig personskaade.**
 6. **Før sleden helt tilbake i bakre stilling etter hver fullførte sageoperasjon for å redusere faren for personskaade.**

7. Sikre alle bevegelige deler før du flytter verktøyet.
 8. Anslagsstiften som låser skjærehodet ned er kun til for løfting eller oppbevaring og ikke for å sage.
 9. Før du begynner å bruke verktøyet, må du kontrollere nøye at bladet ikke har sprekker eller andre skader. Skift ut sprukne eller ødelagte blader omgående. Harpiks og bek som størkner på bladene reduserer turtallet på sagen og øker risikoen for tilbakeslag. Hold bladet rent ved først å ta det av verktøyet og deretter gjøre det rent med en harpiks- og bekfjerner, varmt vann eller parafin. Bruk aldri bensin når du skal rengjøre bladet.
 10. Når du bruker uttrekksfunksjonen for å kappe et arbeidsstykke, kan TILBAKESLAG forekomme. TILBAKESLAG skjer når bladet setter seg fast i arbeidsstykket under saging, og sagbladet slås raskt tilbake mot operatøren. Dette kan føre til manglende kontroll og alvorlig personskade. Hvis bladet begynner å sette seg fast under saging, må du straks slippe bryteren og stanse arbeidet.
 11. Bruk bare flenser som er spesifisert for dette verktøyet.
 12. Pass på å ikke skade akselen, flensene (spesielt installeringsoverflaten) eller boltene. Skade på disse delene kan føre til at bladet bryter.
 13. Forsikre deg om at dreiefoten er sikret skikkelig, slik at den ikke kan forskyve seg under bruk. Fest saken til en stabil arbeidsplattform eller benk ved hjelp av hullene i foten. Du må ALDRI bruke verktøyet hvis du står ubekvemt.
 14. Forsikre deg om at spindellåsen er av før du slår på bryteren.
 15. Forsikre deg om at bladet ikke er i kontakt med dreiefoten i den laveste stillingen.
 16. Hold hendelen godt fast. Vær oppmerksom på at saken går litt opp og ned når den startes og stoppes.
 17. Forviss deg om at bladet ikke er i kontakt med arbeidsstykket, før du slår på bryteren.
 18. La verktøyet svive en liten stund før du begynner å bruke det på et arbeidsstykke. Se etter vibrasjoner eller vingling som kan tyde på at bladet er dårlig balansert.
 19. Hvis du merker at noe er uvanlig, må du stanse arbeidet omgående.
 20. Ikke forsøk å låse avtrekkeren i PA-stillingen.
 21. Bruk alltid tilbehør anbefalt i denne håndboken. Bruk av upassende tilbehør som rue hjul kan føre til personskade.
 22. Enkelte materialer inneholder kjemikalier som kan være giftige. Vis forsiktighet for å forhindre hudkontakt og innånding av støv. Følg leverandørens sikkerhetsanvisninger.
- Ytterligere sikkerhetsregler for laseren
1. LASERSTRÅLER. IKKE SE INN I STRÅLEN ELLER DIREKTE PÅ DEN MED OPTISKE INSTRUMENTER. LASERPRODUKT KLASSE 2M.

TA VARE PÅ DISSE INSTRUKSENE.

⚠ ADVARSEL: IKKE LA hensynet til hva som er "behagelig" eller det faktum at du kjenner produktet godt (etter mange gangers bruk) gjøre deg mindre oppmerksom på sikkerhetsreglene for bruken av det aktuelle produktet. Ved MISBRUK eller hvis ikke sikkerhetsreglene i denne bruksanvisningen følges, kan det oppstå alvorlig personskade.

DELEBESKRIVELSE

► Fig.2

1	Glidestang	2	Anslagsstift (for skyving av sleden)	3	Vertikal skrustikke	4	Utløserknapp (for skråvinkel på høyre side)
5	Holder	6	Dreiefot	7	Peker (for gjæringsvinkel)	8	Gjæringsvinkelskala
9	Snittplate	10	Bladkasse	11	Justeringskrue (for laserlinje)	12	Avstandsjusteringskrue (for laserlinje)
13	Bladvern	14	Knott (for skråvinkel)	15	Sekskantnøkkel	16	Justeringskrue (for nedre grenseposisjon)
17	Justeringskrue (for maksimal skjærekapasitet)	18	Stopperarm	19	Låsespak (for dreiefot)	20	Utløerspak (for dreiefot)
21	Håndtak (for dreiefot)	-	-	-	-	-	-

► Fig.3

1	Startbryter	2	AV-sperreknapp	3	Hull for hengelås	4	Bryter (for laserlinje)
5	Slange (for støvavsug)	6	Anslagsstift (for heving av sleden)	7	Føringsflate (nedre anleggsflate)	8	Føringsflate (øvre anleggsflate)
9	Støvpose	10	Justeringsbolt for 0° (for skråvinkel)	11	Skråvinkelskala	12	Utløerspak (for 48° skråvinkel)
13	Låsehendel (for skråvinkel)	14	Peker (for skråvinkel)	15	Justeringsbolt for 45° (for skråvinkel)	-	-

MONTERING

Montere håndtaket

Skru håndtakets gjengede aksel inn i dreiefoten.

► **Fig.4:** 1. Håndtak 2. Dreiefot

Installere støvavsugsslangen

Koble støvavsugsslangen til verktøyet som illustrert. Forviss deg om at rørbenden og hylsen passer inn i åpningene på verktøyet.

► **Fig.5:** 1. Støvavsugsslange 2. Rørbend 3. Hylse
4. Åpning

Benkmontering

Når verktøyet sendes fra fabrikk, er hendelen låst i senket stilling med anslagsstiften. Senk hendelen en anelse, dra i anslagsstiften, og dreii den 90°.

► **Fig.6:** 1. Låst stilling 2. Ulåst stilling 3. Anslagsstift

Denne sagen bør boltes med fire skruer til en jevn og stabil overflate ved hjelp av skruehullene i sagfoten. Dette vil hjelpe deg å unngå velt og personskaider.

► **Fig.7:** 1. Bolt

⚠ ADVARSEL: Forviss deg om at verktøyet ikke kan bevege seg på opplagerflaten. Hvis gjærings-sagen beveger seg på opplagerflaten mens du sager, kan du miste kontroll over sagen og risikere alvorlige personskaider.

FUNKSJONSBEKRIVELSE

⚠ ADVARSEL: Forviss deg alltid om at verktøyet er slått av og støpselet trukket ut av kontakten før du justerer verktøyet eller kontrollerer at det fungerer som det skal. Hvis verktøyet ikke er avslått og koblet fra strømmettet, kan det utilsiktet bli startet opp og forårsake alvorlige personskaider.

Bladvern

► **Fig.8:** 1. Bladvern

Når du senker hendelen, vil bladvernet automatisk heves. Bladvernet er fjærbelastet og går tilbake til opprinnelig stilling når skjæringen er fullført og hendelen heves.

⚠ ADVARSEL: Bladvernet eller fjæren som er festet til vernet skal aldri fjernes eller settes ute av funksjon. Hvis vernet er satt ute av funksjon slik at et blad er utildekt, kan det oppstå alvorlige personskaider når sagen er i bruk.

Av hensyn til din egen sikkerhet, må du alltid sørge for at bladvernet er i god stand. Alle uregelmessigheter i bladvernet må fjernes omgående. Kontroller at fjæren går tilbake til utgangsposisjon.

⚠ ADVARSEL: Aldri bruk verktøyet hvis bladvernet eller fjæren er skadet, fungerer dårlig eller er fjernet. Hvis verktøyet brukes når vernet er skadet, fungerer dårlig eller er fjernet, kan det oppstå alvorlige personskaider.

Hvis det gjennomskitige bladvernet blir skittent, eller det setter seg så mye sagflis på det at bladet og/eller arbeidsstykket ikke lenger er godt synlig, må du koble sagen fra strømmettet og forsiktig tørke av vernet med en fuktig klut. Ikke bruk løsemidler eller bensinbaserte rengjøringsmidler på plastvernet, da dette kan skade vernet.

Hvis bladvernet er svært skittent og sikten gjennom det er forringet, kobler du verktøyet fra strømmettet og løsner sekskantskruen som holder midtdekslet med den medfølgende nøkkelen. Løsne sekskantskruen ved å skru den mot klokken. Hev bladvernet og midtdekslet. Med bladvernet i denne stillingen kan du lettere rengjøre skikkelig og mer effektivt. Når du er ferdig med rengjøringen, følger du fremgangsmåten ovenfor i omvendt rekkefølge og trekker til skruen. Ikke ta av fjæren som holder bladvernet. Hvis vernet blir misfarget på grunn av alder eller UV-stråler, må du kontakte et Makita serviceverksted for få et nytt vern. VERNET SKAL ALDRI FJERNES ELLER SETTES UTE AV FUNKSJON.

► **Fig.9:** 1. Midtdeksel 2. Sekskantnøkkel 3. Bladvern

Snittplater

Verktøyet leveres med snittplatene i dreiefoten for å redusere flenger på utgangssiden av et skjæring til et minimum. Snittplatene er fabrikkjustert slik at sagbladet ikke kommer i kontakt med snittplatene. Før bruk må du justere snittplatene på følgende måte:

► **Fig.10:** 1. Snittplate

- **Fig.11:** 1. Venstre skråskjæring 2. Rett skjæring 3. Høyre skråskjæring 4. Sagblad 5. Bladtenner 6. Snittplate

Først må du koble verktøyet fra strømmettet. Løsne alle skruene (to på høyre og to på venstre side) som holder snittplatene på plass til du enkelt kan fjerne snittplatene for hånd. Senk hendelen helt, og dra og drei anslagsstiften for å låse hendelen i nedre stilling. Løsne anslagsstiften på glidestangen, og dra sleden helt mot deg. Juster snittplatene slik at de akkurat kommer i kontakt med sidene på bladtennene. Stram de fremre skruene (ikke hardt). Skyv sleden helt mot føringsflaten, og juster snittplatene slik at de akkurat kommer i kontakt med sidene på bladtennene. Stram de bakre skruene (ikke hardt).

Etter at snittplatene er justert, løsner du anslagsstiften og hever hendelen. Deretter må alle skruene strammes godt.

OBS: Når du har stilt inn skråvinkelen, må du sikre at snittplatene er riktig justert. Når snittplatene er riktig justert, vil dette bidra til å gi arbeidsstykket riktig støtte og forhindre at det oppstår flenger i arbeidsstykket.

Opprettholde maksimal skærekapasitet

Dette verktøyet er fabrikkjustert for å gi maksimal skjærekapasitet for et 305 mm sagblad.

Når du monterer et nytt blad, må du alltid sjekke nedre grenseposisjon for bladet og justere det på følgende måte, ved behov:

Først må du koble verktøyet fra strømmettet. Drei stopperspaken slik at den går i inngrep.

- **Fig.12:** 1. Stopperspake

Skyv sleden helt inn mot føringsflaten, og senk hendelen fullstendig.

Juster bladet stilling ved å dreie justeringsbolten med sekskantnøkkelen. Utkanten av bladet skal stikke så vidt ut under overflaten på dreiefoten, og strekker seg dessuten til punktet der forkanten av føringsflaten møter overflaten på dreiefoten.

- **Fig.13:** 1. Justeringssskrue

- **Fig.14:** 1. Overflaten av dreiefoten 2. Utkanten av bladet 3. Føringsflats

Router bladet for hånd mens du holder hendelen helt nede for å forsikre deg om at den ikke berører noen deler av den nedre foten (sagen må være koblet fra).

Etterjuster noe ved behov. Etter utført justering må du alltid sette stopperspaken tilbake i opprinnelig stilling.

⚠ ADVARSEL: Når du har satt inn et nytt blad og verktøyet er koblet fra strømmettet (støpselet skal være ute av stikkontakten), må du passe på at bladet ikke berører noen del av den nedre foten når hendelen er trukket helt ned. Dette kan medføre alvorlige personskader.

Stopperarm

Nedre grensestilling for bladet kan justeres på en enkel måte med stopperarmen. Stopperarmen justeres ved at du dreier den i pilretningen som vist i figuren. Drei justeringssskruen slik at bladet stopper i ønsket stilling når du senker hendelen helt.

- **Fig.15:** 1. Stopperarm 2. Justeringssskrue

Justere gjæringsvinkelen

⚠ FORSIKTIG: Når du har endret gjæringsvinkelen, må du alltid sikre dreiefoten ved å stramme grepet godt.

OBS: Når du dreier dreiefoten, må du heve håndtaket helt.

- **Fig.16:** 1. Sperreknapp 2. Håndtak 3. Utløerspake 4. Peker

Router håndtaket mot klokken for å frigjøre dreiefoten. Beveg dreiefoten ved å dreie håndtaket mens du holder sperrehendelen nede. Innrett pekeren i ønsket vinkel på skalaen, og stram deretter håndtaket.

MERK: Hvis du trykker inn utløerspaken, kan du fjerne dreiefoten under å holde sperrehendelen nede. Stram håndtaket når du har nådd ønsket stilling.

Denne gjæringsssagen har en funksjon for fast anslag. Du kan raskt stille inn høyre/venstre gjæringsvinkel på 0°, 15°, 22,5°, 31,6°, 45° og 60°. Hvis du vil bruke denne funksjonen, beveger du dreiefoten til ønsket vinkel for fast anslag samtidig som du holder sperrehendelen nede. Deretter slipper du sperrehendelen og beveger dreiefoten fremover til dreiefoten går i lås.

Justere skråvinkelen

OBS: Du må alltid fjerne de øvre føringsflatene og den vertikale skrustikken før du justerer skråvinkelen.

OBS: Når du endrer skråvinklene, må du forvise deg om at snittplatene plasseres riktig (forklart i avsnitt "Snittplater").

OBS: Når du vipper sagbladet, må du heve hendelen helt.

OBS: Ikke stram knotten for mye. Det kan føre til at skråvinkelen låsemekanisme slutter å fungerer som den skal.

1. Drei knotten på glidestangen mot klokken.

- **Fig.17:** 1. Knott

2. Dra og drei låsehendelen til den illustrerte stillingen.

- **Fig.18:** 1. Låsehendel

3. Sørg for at pekeren samsvarer med ønsket vinkel på skalaen ved å bevege sleden, og stram deretter knotten.

- **Fig.19:** 1. Skråvinkelskala 2. Peker

Hvis du vil vippe sleden mot høyre, vipper du den først litt mot venstre, og deretter vipper du den mot høyre samtidig som du trykker utløserknappen ned.

- **Fig.20:** 1. Utløserknapp

Hvis du vil utføre en skråskjæring på mer enn 45°, beveger du sleden samtidig som du skyver utløserpaken mot forsiden av verktøyet. Du kan utføre skråskjæringen på opptil 48°.

► **Fig.21:** 1. Utløserpakk

Denne gjæringssagen har en funksjon for fast anslag. Du kan raskt stille inn en vinkel på 22,5° og 33,9° både til høyre og venstre. Sett låsehendelen i den illustrerte stillingen, og vipp sleden. Hvis du vil endre vinkel, drar du i låsehendelen og vipper sleden.

► **Fig.22:** 1. Låsehendel

⚠FORSIKTIG: Når du har endret skråvinkelen, må du alltid skru til knotten.

Skyvelås

Hvis du vil låse sledens glidebevegelse, skyver du sleden mot føringsflaten til den stopper. Dra i anslagsstiften, og roter den 90°.

► **Fig.23:** 1. Ulåst stilling 2. Låst stilling 3. Anslagsstift

Bryterfunksjon

⚠ADVARSEL: Før du kobler verktøyet til strømmen, må du alltid kontrollere at startbryteren aktiverer maskinen på riktig måte og går tilbake til "AV"-stilling når den slippes. Ikke dra hardt i startbryteren uten å trykke inn AV-sperreknappen. Det kan føre til at bryteren knekker. Hvis du bruker verktøyet med en bryter som ikke fungerer som den skal, kan du komme til å miste kontrollen, og det kan oppstå alvorlige personskader.

⚠ADVARSEL: Maskinen må ALDRI brukes uten at startbryteren er i perfekt stand. Det er SVÆRT FARLIG å bruke maskinen når bryteren er defekt. Reparer bryteren før du bruker maskinen. Hvis dette ikke gjøres, er det fare for alvorlig personskade.

⚠ADVARSEL: ALDRI sett avsperringsknappen ute av funksjon ved å for eksempel teipe over den. En defekt avsperringsknapp kan føre til at maskinen aktiveres utilsiktet og alvorlige personskader kan oppstå.

⚠ADVARSEL: Maskinen må ALDRI brukes hvis den begynner å gå bare du trykker på startbryteren, uten at du må trykke på avsperringsknappen også. En skadet/defekt bryter kan føre til at maskinen aktiveres utilsiktet og alvorlige personskader kan oppstå. Returner maskinen til et Makita-servicenter for å få den reparert FØR videre bruk.

► **Fig.24:** 1. Startbryter 2. AV-sperreknapp 3. Hull for hengelås

For å unngå at noen drar i startbryteren ved en feiltakelse er verktøyet utstyrt med en AV-sperreknapp. For å starte verktøyet må du trykke inn AV-sperreknappen og dra i startbryteren. Slipp startbryteren når du vil stanse verktøyet.

Startbryteren har et hull for feste av en hengelås til å låse verktøyet med.

⚠ADVARSEL: Ikke bruk lås med bøyle eller kabel mindre enn 6,35 mm i diameter. En mindre bøyle eller kabel vil kanskje ikke kunne låse verktøyet i AV-stilling, noe som kan medføre utilsiktet start av verktøyet og alvorlige personskader.

Elektronisk funksjon

Konstant hastighetskontroll

Maskinen leveres med en elektronisk hastighetskontroll som bidrar til å holde bladets rotasjonshastighet konstant, selv under belastning. Når bladets rotasjonshastighet er konstant, vil snittet bli svært glatt.

Mykstartfunksjon

Denne funksjonen begrenser oppstartsdrøiemomentet slik at verktøyoppstarten går smidig.

Laserstrålefunksjon

Kun for modell LS1219L

⚠FORSIKTIG: Se aldri inn i laserstrålen. Direkte laserstråler kan skade øynene dine.

Trykk på øvre del av bryteren (I) for å slå på laserstrålen. Trykk på bryterens nedre stilling (O) for å slå av laserstrålen.

► **Fig.25:** 1. Bryter for laser

Laserlinjen kan flyttes til venstre eller høyre side av sagbladet ved å dreie skruen på følgende måte.

► **Fig.26:** 1. Justeringssskrue

1. Løsne justeringssskruen ved å dreie den mot klokken.
2. Skyv justeringssskruen mot høyre eller venstre så langt det går når den er løs.
3. Stram skruen godt i stillingen hvor den slutter å bevege seg.

MERK: Laserlinjen er fabrikkinnstilt slik at den er posisjonert innenfor 1 mm fra siden på bladet (skjæreposisjon).

MERK: Hvis laserlinjen er uklar og vanskelig å se på grunn av direkte sollys, bør du flytte arbeidsområdet til et sted hvor det er mindre direkte sollys.

Innrette laserlinjen

Innrett skjærelinjen på arbeidsstykket med laserlinjen.

► **Fig.27**

A) Når du ønsker å oppnå riktig størrelse på venstre side av arbeidsstykket, flytter du laserlinjen til venstre side av bladet.

B) Når du ønsker å oppnå riktig størrelse på høyre side av arbeidsstykket, flytter du laserlinjen til høyre side av bladet.

MERK: Bruk tre mot føringsflaten når du innretter skjærlinjen med laserlinjen på siden av føringsflaten ved lamellsaging (skråvinkel 45° og gjæringvinkel høyre 45°).

MONTERING

⚠ ADVARSEL: Forviss deg alltid om at verktøyet er avslått og koblet fra før du utfører arbeid på verktøyet. Hvis verktøyet ikke slås av og kobles fra, kan det oppstå alvorlige personskader.

Oppbevare sekskantnøkkel

Når sekskantnøkkelen ikke er i bruk, må du oppbevare den som vist i figuren, slik at du ikke mister den.

► **Fig.28:** 1. Sekskantnøkkel

Demontere og montere sagbladet

⚠ ADVARSEL: Forviss deg alltid om at verktøyet er slått av og støpselet trukket ut av kontakten før du monterer eller demonterer bladet. Hvis verktøyet utilsiktet slås på, vil det være fare for alvorlige personskader.

⚠ ADVARSEL: Ikke bruk en annen nøkkel enn Makita-nøkkelen til å sette på eller ta av bladet. Dersom nøkkelen ikke brukes, kan dette føre til at sekskantskruen strammes for mye eller for lite og dermed til alvorlig personskade.

Lås alltid sleden i låst stilling før du demonterer og monterer bladet. Dra i anslagsstiften, og roter den 90° med sleden hevet.

► **Fig.29:** 1. Ulåst stilling 2. Låst stilling 3. Anslagsstift

Demontere bladet

Bruk sekskantnøkkelen for å løsne sekskantskruen som holder midtdekslet. Løft bladvernet og midtdekslet.

► **Fig.30:** 1. Midtdeksel 2. Sekskantnøkkel
3. Bladvern

Trykk på spindellåsen for å låse spindelen, og bruk nøkkelen til å løsne sekskantskruen. Fjern deretter sekskantskruen, den ytre flensen og bladet.

► **Fig.31:** 1. Spindellås 2. Sekskantnøkkel
3. Sekskantskrue (venstre) 4. Løsne
5. Stramme

Montere bladet

Monter bladet ved å sette det forsiktig på spindelen, og forsikre deg om at pilretningen på bladoverflaten stemmer overens med pilretningen på bladkassen.

► **Fig.32:** 1. Pil på bladkassen 2. Pil på bladet

Monter den ytre flensen og sekskantskruen. Bruk sekskantnøkkelen til å stramme sekskantskruen mot klokken mens du trykker spindellåsen ned.

► **Fig.33:** 1. Sekskantskrue 2. Ytre flens 3. Sagblad
4. Indre flens 5. Spindel 6. Skive

OBS: Dersom den indre flensen fjernes, må du passe på å montere den på spindelen slik at delen som stikker ut er vendt bort fra bladet. Hvis flensen er satt i feil, vil den gnisse mot maskinen.

Sett bladvernet og midtdekslet tilbake i utgangsstillingen. Stram sekskantskruen med klokken for å sikre midtdekslet. Frigjør anslagsstiften for å løse sleden fra hevet stilling. Senk hendelen for å passe på at bladvernet beveger seg som det skal. Forsikre deg om at spindellåsen har frigjort spindelen før du sager.

⚠ ADVARSEL: Før du monterer bladet på spindelen, må du alltid være sikker på at det er den skiven som passer til bladets akselhull du har tenkt å bruke som er montert mellom indre og ytre flensen. Ved bruk av feil akselhullskive vil bladet kanskje ikke monteres riktig. Dette kan føre til at bladet begynner å vandre og vibrere kraftig, at du mister kontrollen over maskinen under arbeidet og til alvorlige helseskader.

Koble til støvsuger

Hvis du vil sage så rent som mulig, kan du koble en Makita-støvsuger til støvmunnstykket ved hjelp av en frontmansjett 24 (valgfritt tilbehør).

► **Fig.34:** 1. Frontmansjett 24 2. Slange 3. Støvsuger

Støvpose

Bruk av støvposer gjør skjærearbeider rene og letter støvoppsamlingen. Fjern støvavsugsslangen på verktøyet, og koble til støvposen.

► **Fig.35:** 1. Støvavsugsslange 2. Støvpose

Når støvposten er omtrent halvfull, må du ta den av maskinen og trekke ut festemekanismen. Tøm støvposen, og bank den forsiktig for å fjerne partikler som har festet seg til innsiden og som kan hindre videre støvoppsamling.

► **Fig.36:** 1. Festemekanisme

Sikre arbeidsemne

⚠ ADVARSEL: Det er uhyre viktig at du alltid sikrer arbeidsstykket korrekt med en passende type skrustikke eller kronestopper. Hvis dette ikke gjøres, kan resultatet bli personskader eller skader på verktøyet og/eller arbeidsstykket.

⚠ ADVARSEL: Når du er ferdig med å sage, er det svært viktig at du ikke løfter bladet før det har stanset helt. Hvis du løfter et blad som ruller, risikerer du alvorlige skader både på deg selv og arbeidsstykket.

⚠ ADVARSEL: Når du sager et arbeidsstykke som er lengre enn sagens støttefot, må hele lengden av materialet støttes opp forbi støttefoten og på samme høyde for å holde materialet plant. Når arbeidsstykket er godt støttet, er det mindre risiko for farlige tilbakeslag og at bladet kommer i klem. Ikke stol på at bare den vertikale skrustikken og/eller den horisontale skrustikken sikrer arbeidsstykket. Tynne materialer har en tendens til å gi etter. Støtt arbeidsstykket i hele lengden for å unngå at bladet kommer i klem og at det oppstår TILBAKESLAG.

► **Fig.37:** 1. Støtte 2. Dreiefot

Føringsflater

⚠ ADVARSEL: Forsikre deg om at den øvre anleggsflaten er ordentlig festet før du bruker verktøyet.

⚠ ADVARSEL: Ved gjæringssaging i vertikalplanet må du passe på at ingen deler av verktøyet, særlig bladet, på noe som helst tidspunkt berører de øvre eller nedre anleggsflatene når hendelen heves/senkes og sleden beveges. Hvis verktøyet eller bladet kommer i kontakt med anleggsflaten, kan det føre til tilbakeslag eller uventet bevegelse av materialet og alvorlig personskade.

Bruk øvre anleggsflater for å støtte materialet høyere enn de nedre anleggsflatene. Sett den øvre anleggsflaten inn i hullet på den nedre anleggsflaten, og stram klemmeskruen.

► **Fig.38:** 1. Øvre anleggsflate 2. Nedre anleggsflate 3. Klemmeskrue 4. Justeringssskrue

OBS: De nedre anleggsflatene er festet til foten ved fabrikk. Ikke fjern de nedre anleggsflatene.

OBS: Hvis den øvre anleggsflaten fortsatt er løs etter at du har strammet klemmeskruen, dreier du justeringssskruen for å lukke sprekken. Justeringssskruen er justert ved fabrikk. Du trenger ikke å bruke den uten at det er behov for det.

Du kan oppbevare de øvre anleggsflatene på holderen når de ikke er i bruk. Bruk klemmen på den øvre anleggsflaten til å holde den på holderen.

► **Fig.39:** 1. Holder 2. Øvre anleggsflate 3. Klemme

Vertikal skrustikke

⚠ ADVARSEL: Arbeidsstykket må sikres godt mot dreiefoten og føringsflaten med skrustikken under alle typer bruk. Hvis arbeidsstykket ikke er godt festet mot anleggsflaten, kan materialet bevege seg under saging. Dette kan gi skader på bladet, samt medføre at materialet kastes og du mister kontroll over arbeidsstykket/sagen. Resultatet kan bli alvorlige personskader.

► **Fig.40:** 1. Skrustikkearm 2. Skrustikkestang 3. Klemmeskrue 4. Skrustikkeknott

Den vertikale skrustikken kan monteres i to stillinger, enten på venstre eller høyre side av foten. Sett skrustikkestangen inn i hullet i foten.

Plasser skrustikkearmen i samsvar med tykkelsen av og formen på arbeidsstykket, og fest skrustikkearmen ved å stramme skruen. Hvis den øvre klemmeskruen berører sleden, må du montere den på motsatt side av skrustikkearmen. Forviss deg om at ingen deler av sagen er i berøring med skrustikken når du senker hendelen helt ned. Hvis noen deler berører skrustikken, må du flytte den.

Trykk arbeidsemnet mot føringsflaten og dreiefoten.

Plasser arbeidsemnet i ønsket skjæreposisjon og sikre det godt ved å stramme skrustikkeknotten.

MERK: For å feste arbeidsstykket raskt, kan du dreie skrustikkeknotten 90° mot klokken slik at skrustikkeknotten kan beveges opp og ned. For å sikre arbeidsstykket etter at det er satt inn, må du dreie skrustikkeknotten med klokken.

Horisontal skrustikke

Valgfritt tilbehør

⚠ ADVARSEL: Skrustikkemutteren skal alltid skrues med klokken inntil arbeidsstykket sitter godt fast. Hvis arbeidsstykket ikke sitter helt fast, kan materialet bevege seg under saging. Dette kan gi skader på bladet, samt medføre at materialet kastes og du mister kontroll over arbeidsstykket/verktøyet. Resultatet kan bli alvorlige personskader.

⚠ ADVARSEL: Når du sager et tynt arbeidsstykke, for eksempel basisbord, mot anleggsflaten, må du alltid bruke den horisontale skrustikken.

⚠ FORSIKTIG: Når du skjærer et arbeidsstykke med en tykkelse på 20 mm eller tynnere, må du bruke en avstandskloss når du fester arbeidsstykket.

Den horisontale skrustikken kan monteres i to stillinger på enten venstre eller høyre side av foten. Når du utfører gjæringssaging på 22,5° eller mer, må den horisontale skrustikken monteres på motsatt side i forhold til retningen dreiefoten dreies.

► **Fig.41:** 1. Skrustikkeplate 2. Skrustikkemutter 3. Skrustikkeknott

Når du rykker skrustikkemutteren mot klokken, blir skrustikken sluppet opp og beveger seg raskt inn og ut. For å gripe arbeidsstykket skyver du først skrustikkeknotten fremover inntil skrustikkeplaten berører arbeidsstykket. Deretter dreier du skrustikkeknotten med klokken for å sikre arbeidsstykket.

MERK: Maksimal bredde på et arbeidsstykke som kan sikres med den horisontale skrustikken er 228 mm.

Holdere

⚠ ADVARSEL: Et langt arbeidsstykke må alltid støttes opp slik at det blir plant med den øvre overflaten av dreiefoten. Dette for å sage nøyaktig og unngå at du mister kontrollen over verktøyet. Når arbeidsstykket er godt støttet, er det mindre risiko for farlige tilbakeslag og at bladet kommer i klem.

Holdere er plassert på begge sider av verktøyet for å holde lange arbeidsstykker horisontalt. Løsningskruene, og trekk ut holderne til riktig lengde for å holde arbeidsstykket. Stram deretter skruen på bladet.

► **Fig.42:** 1. Holder 2. Skruer

BRUK

⚠ ADVARSEL: Forviss deg om at bladet ikke er i kontakt med arbeidsstykket, osv. før startbryteren slås på. Hvis verktøyet slås på mens bladet er i kontakt med arbeidsstykket, kan dette føre til tilbakeslag og alvorlige personskader.

⚠ ADVARSEL: Når du er ferdig å sage, er det svært viktig at du ikke løfter bladet før det har stanset helt. Hvis du løfter et blad som ruller, risikerer du alvorlige skader både på deg selv og arbeidsstykket.

⚠ ADVARSEL: Ikke utfør justeringer, som å dreie håndtak, knott og spaker på verktøyet, mens bladet roterer. Justering mens bladet roterer kan føre til alvorlige personskader.

OBS: Pass på å frigjøre anslagsstiften og løsne hendelen fra senket stilling før bruk.

OBS: Ikke legg stort trykk på hendelen når du sager. For mye kraft kan føre til at motoren overbelastes og/eller at sageeffekten reduseres. Skyv ned hendelen med den kraften som trengs for jevn saging og uten merkbar reduksjon i bladets hastighet.

OBS: Trykk hendelen forsiktig ned for å gjenomføre kuttet. Hvis håndtaket trykkes ned med makt eller det brukes sidekraft, kan bladet vibrere og lage et merke (sagmerke) i arbeidsemnet. Dette kan ødelegge presisjonen i kuttet.

OBS: Når du bruker uttrekksfunksjonen, må du skyve sleden forsiktig mot føringsflaten uten å stoppe. Hvis sledebevegelsen stopper under saging, etterlates det et merke i arbeidsstykket, og presisjonen i kuttet ødelegges.

Trykksaging

⚠ ADVARSEL: Låse alltid sledens glidebevegelse når du skal utføre pressaging. Hvis du sager uten lås, kan det oppstå farlige tilbakeslag.

Arbeidsstykker som er opptil 92 mm høye og 183 mm brede kan sages på følgende måte.

► Fig.43: 1. Anslagsstift

1. Skyv sleden mot føringsflaten til den stopper, og lås den med anslagsstiften.
2. Fest arbeidsstykket godt ved hjelp av den angitte skrustikken.
3. Slå på sagen uten at bladet er i kontakt med noe, og vent til bladet oppnår full hastighet før du senker.
4. Senk håndtaket forsiktig til nederste stilling for å kappe arbeidsstykket.
5. Når snittet er laget, må du slå av maskinen og vente til bladet har stoppet helt før du setter bladet tilbake i helt oppreist stilling.

Skyvesaging (sage brede arbeidsstykker)

⚠ ADVARSEL: Når du bruker uttrekksfunksjonen for å kappe et arbeidsstykke, må du først trekke vognen helt til deg og trykke håndtaket helt ned. Deretter skyver du vognen mot føringsvernet. Vognen skal alltid være trukket helt mot deg før du begynner å sage. Hvis du bruker uttrekksfunksjonen for å kappe et arbeidsstykke og vognen ikke er trukket helt mot deg, kan det oppstå farlige tilbakeslag (kickback).

⚠ ADVARSEL: Aldri forsøk å dra vognen mot deg for å bruke uttrekksfunksjonen for å kappe et arbeidsstykke. Hvis du trekker vognen mot deg mens du sager, kan det oppstå uventede tilbakeslag (kickback) som kan gi alvorlige personskader.

⚠ ADVARSEL: Aldri bruk uttrekksfunksjonen for å kappe et arbeidsstykke når håndtaket er låst i senket stilling.

► Fig.44: 1. Anslagsstift

1. Frigjør anslagsstiften slik at sleden kan bevege seg fritt.
2. Fest arbeidsstykket godt ved hjelp av den angitte skrustikken.
3. Trekk vognen helt mot deg.
4. Slå på sagen uten at bladet er i kontakt med noe, og vent til bladet oppnår full hastighet.
5. Trykk ned håndtaket og skyv vognen mot føringsvernet og gjennom arbeidstrykket.
6. Når snittet er laget, må du slå av maskinen og vente til bladet har stoppet helt før du setter bladet tilbake i helt oppreist stilling.

Gjærsaging

Se avsnittet «Justere gjæringsvinkelen».

Skråskjæring

⚠ ADVARSEL: Når bladet er stilt inn for gjæringsaging i vertikalplanet, må du forsikre deg om at sleden og bladet kan bevege seg fritt under hele sagingen før du bruker verktøyet. Hvis sleden eller bladet blir hindret under sagingen, kan det oppstå tilbakeslag som kan gi alvorlige personskader.

⚠ ADVARSEL: Når du utfører gjæringsaging i vertikalplanet må du passe på å holde hendene borte fra sagbladets bane. Vær oppmerksom på at bladvinkelen kan gi et feilaktig inntrykk av sagbladets faktiske bane. Kontakt med sagbladet vil gi alvorlige personskader

⚠ ADVARSEL: Ikke hev bladet før det har stoppet helt. Ved gjæringsaging i vertikalplanet kan det skje at det avkappede arbeidsstykket hviler mot bladet. Hvis bladet da heves mens det fremdeles roterer, kan det kaste ut den avkappede biten. Dette vil føre til at materialet fliser seg opp, og alvorlige personskader kan oppstå.

OBS: Når du trykker ned hendelen, må du trykke parallelt med bladet. Hvis du trykker i vertikal retning for dreiefoten, eller endrer trykkretningen mens du sager, vil snittet bli mindre presist.

► Fig.45

1. Fjern den øvre anleggsflaten på siden som du har tenkt å vippe sleden.
2. Frigjør anslagsstiften.
3. Juster skråvinkelen i henhold til prosedyren som beskrives i avsnittet "Justere skråvinkelen". Stram deretter knotten.
4. Fest arbeidsstykket med en skrustikke.
5. Trekk vognen helt mot deg.
6. Slå på sagen uten at bladet er i kontakt med noe, og vent til bladet oppnår full hastighet.
7. Senk hendelen forsiktig til helt senket posisjon mens du utøver trykk parallelt med bladet, og **skyv sleden mot føringsflaten for å sage arbeidsemnet.**
8. Når snittet er laget, må du slå av maskinen og **vente til bladet har stoppet helt** før du setter bladet tilbake i helt oppreist stilling.

Lamellsaging

Lamellsaging er prosessen hvor en skråvinkel lages samtidig som en gjæringsvinkel sages på et arbeids-emne. Kombinasjonssaging kan utføres i vinkelen som er angitt i tabellen.

Gjæringsvinkel	Skjæringsvinkel
Venstre og høyre 0° – 45°	Venstre og høyre 0° – 45°

Når du utfører lamellsaging, finner du forklaringer i "Trykksaging", "Skyvesaging", "Gjærsaging" og "Skråskjæring".

Skjære fotlister

⚠FORSIKTIG: Når du skjærer fotlisten, må du bruke den horisontale skrustikken (valgfritt tilbehør).

⚠FORSIKTIG: Når du skjærer et arbeidsstykke med en tykkelse på 20 mm eller tynnere, må du bruke en avstandskloss når du fester arbeidsstykket.

Når du skjærer fotlisten i en gjæringsvinkel på 45°, må du sette stopperspaken i inngrep for å forhindre at blåkassen kommer i kontakt med fotlisten. Dette vil sørge for klaring mellom fotlisten og blåkassen når du skyver sleden helt frem.

Informasjon om skjærekapasitet for fotlister finnes under SPESIFIKASJONER.

- Fig.46: 1. Stopperspåk 2. Avstandskloss 3. Horisontal skrustikke

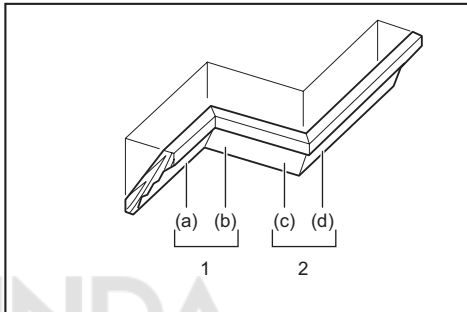
Sage profillister og hulkillister

Profillister og hulkillister kan sages på en gjærings-sag for kombinasjonssaging, med listene lagt flatt på dreiefoten.

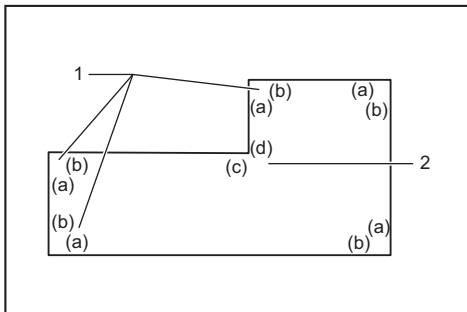
Det finnes to vanlige typer profillist og en vanlig type hulkillist; profillist med 52/38° veggvinkel, profillist med 45° veggvinkel og hulkillist med 45° veggvinkel.

- Fig.47: 1. Profillist med 52/38° vinkel 2. Profillist med 45° vinkel 3. Hulkillist med 45° vinkel

Listene kan kappes til å passe til «innvendige» 90° hjørner ((a) og (b) på figuren og «utvendige» 90° hjørner ((c) og (d) på figuren).



1. Innvendig hjørne 2. Utvendig hjørne



1. Innvendig hjørne 2. Utvendig hjørne

Måling

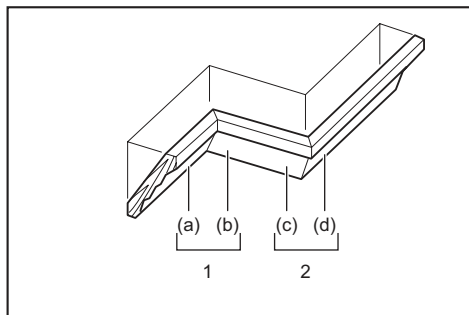
Mål veggbredden, og mål bredden til arbeidsemnet i henhold til den. Sørg for at kontaktflaten mot veggen er den samme som veggengde.

- Fig.48: 1. Arbeidsemne 2. Veggbredde 3. Bredde på arbeidsemne 4. Kontaktflate mot vegg

Bruk alltid flere biter til testkapping for å kontrollere snittvinklene.

Når du sager profillister og hulkillister må du stille inn gjæringsvinklene i vertikalplanet og horisontalplanet som vist i tabell (A), og plassere listene på overflaten av sagfoten, som vist i tabell (B).

Venstre gjæringssnitt i vertikalplanet



1. Innvendig hjørne 2. Utvendig hjørne

Tabell (A)

–	Listposisjon i figuren	Skjæringsvinkel		Gjæringsvinkel	
		Med 52/38° vinkel	Med 45° vinkel	Med 52/38° vinkel	Med 45° vinkel
For innvendig hjørne	(a)	Venstre 33,9°	Venstre 30°	Høyre 31,6°	Høyre 35,3°
	(b)			Venstre 31,6°	Venstre 35,3°
For utvendig hjørne	(c)			Høyre 31,6°	Høyre 35,3°
	(d)				

Tabell (B)

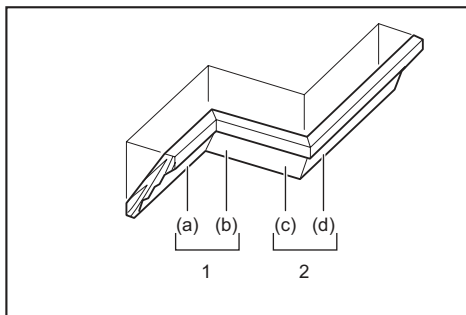
–	Listposisjon i figuren	Listkant mot føringsflate	Ferdig stykke
For innvendig hjørne	(a)	Kontaktflaten mot taket skal posisjoneres mot føringsflaten.	Det ferdige stykket vil være på venstre side av bladet.
	(b)	Kontaktflaten mot veggen skal posisjoneres mot føringsflaten.	
For utvendig hjørne	(c)	Kontaktflaten mot taket skal posisjoneres mot føringsflaten.	Det ferdige stykket vil være på høyre side av bladet.
	(d)	Kontaktflaten mot taket skal posisjoneres mot føringsflaten.	

Eksempel:

Ved saging av profillist med 52/38° vinkel for posisjon (a) på figuren:

- Vipp og fest innstillingen for gjæring i vertikalplanet på 33,9° VENSTRE.
- Juster og fest innstillingen for gjæring i horisontalplanet på 31,6° HØYRE.
- Legg profillisten med dens brede baksideoverflate (skjult) ned på dreiefoten, med KONTAKTFLATEN MOT TAKET mot føringsvernet til sagen.
- Det ferdige stykket som skal brukes, vil alltid befinne seg til VENSTRE for bladet etter at snittet er utført.

Høyre skråskjæring i vertikalplanet



1. Innvendig hjørne 2. Utvendig hjørne

Tabell (A)

–	Listposisjon i figuren	Skjæringsvinkel		Gjæringsvinkel	
		Med 52/38° vinkel	Med 45° vinkel	Med 52/38° vinkel	Med 45° vinkel
For innvendig hjørne	(a)	Høyre 33,9°	Høyre 30°	Høyre 31,6°	Høyre 35,3°
	(b)			Venstre 31,6°	Venstre 35,3°
For utvendig hjørne	(c)			Høyre 31,6°	Høyre 35,3°
	(d)				

Tabell (B)

–	Listposisjon i figuren	Listkant mot føringsflate	Ferdig stykke
For innvendig hjørne	(a)	Kontaktflaten mot veggen skal posisjoneres mot føringsflaten.	Det ferdige stykket vil være på høyre side av bladet.
	(b)	Kontaktflaten mot taket skal posisjoneres mot føringsflaten.	
For utvendig hjørne	(c)	Kontaktflaten mot taket skal posisjoneres mot føringsflaten.	Det ferdige stykket vil være på venstre side av bladet.
	(d)	Kontaktflaten mot veggen skal posisjoneres mot føringsflaten.	

Eksempel:

Ved saging av profillist med 52/38° vinkel for posisjon (a) på figuren:

- Vipp og fest innstillingen for skråvinkel på 33,9° HØYRE.
- Juster og fest innstillingen for gjæring i horisontalplanet på 31,6° HØYRE.
- Legg profillisten med den brede baksideoverflate (skjult) ned på dreiefoten, med KONTAKTFLATEN MOT VEGGEN mot føringsflaten på sagen.
- Det ferdige stykket som skal brukes, vil alltid befinne seg til VENSTRE for bladet etter at snittet er utført.

Profiliststopper

Valgfritt tilbehør

Profiliststopperne gjør det enklere å sage profilister uten å måtte vippe sagbladet. Monter dem på dreiefoten som vist i figuren.

Ved høyre 45° gjæringsvinkel i horisontalplanet

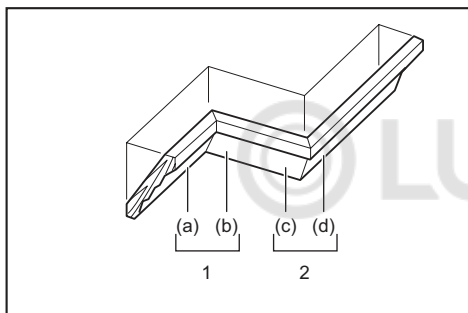
- **Fig.49:** 1. Profiliststopper V 2. Profiliststopper H
3. Dreiefot 4. Føringsflate

Ved venstre 45° gjæringsvinkel i horisontalplanet

- **Fig.50:** 1. Profiliststopper V 2. Profiliststopper H
3. Dreiefot 4. Føringsflate

Plasser profilisten med KONTAKTFLATEN MOT VEGGEN mot føringsflaten og KONTAKTFLATEN MOT TAKET mot profiliststopperne som vist i figuren. Juster profiliststopperne i henhold til profilistens mål. Stram skruene for å feste profiliststopperne. Se tabellen (C) for å finne den horisontale gjæringsvinkelen.

- **Fig.51:** 1. Føringsflate 2. Profiliststopper



1. Innvendig hjørne 2. Utvendig hjørne

Tabell (C)

–	Listposisjon i figuren	Gjæringsvinkel	Ferdig stykke
For innvendig hjørne	(a)	Høyre 45°	Det på høyre side av bladet
	(b)	Venstre 45°	Det på venstre side av bladet
For utvendig hjørne	(c)		Det på høyre side av bladet
	(d)	Høyre 45°	Det på venstre side av bladet

Sage aluminiumsekstrudering

- **Fig.52:** 1. Skrustykke 2. Avstandskloss
3. Føringsflate 4. Aluminiumsekstruderingen
5. Avstandskloss

Når du sikrer aluminiumsekstruderinger, må du bruke avstandsklosser eller biter av kapp, som vist i figuren, for å forhindre at aluminiumen deformeres. Bruk en skjærevæske når du sager aluminiumsekstruderingen for å forhindre at det legger seg aluminiumsstøv på bladet.

⚠ADVARSEL: Prøv aldri å sage tykke eller runde aluminiumsprofiler. Tykke eller runde aluminiumsprofiler kan være vanskelige å feste tilstrekkelig, og arbeidsstykket kan løsne når du sager. Dette kan føre til at du mister kontrollen over arbeidsstykke/verktøyet og påføres alvorlige skader.

Gjæringskloss

⚠ADVARSEL: Bruk skruene til å feste trekledningen til føringsplaten. Skruene settes inn slik at skruhodene befinner seg nedenfor overflaten av gjæringsklossen. På denne måten unngår du at skruene kommer i veien for posisjoneringen til materialet du sager. Dersom materialet som skjæres kommer ut av posisjon, kan huset uventet bevege seg under skjærearbeidet, og dette kan føre til at du mister kontrollen og til alvorlig personskade.

⚠FORSIKTIG: Bruk rett tre med jevn tykkelse som gjæringskloss.

⚠FORSIKTIG: For å skjære helt gjennom arbeidsstykker med en høyde på 107 mm til 120 mm, skal du bruke en gjæringskloss på føringsflaten. Gjæringsklossen vil gi bedre klaring mellom arbeidsstykket og føringsflaten, slik at bladet kan skjære dypere.

OBS: Når trekledningen er festet, må du ikke dreie på dreiefoten med senket hendel. Bladet og/eller trekledningen vil bli skadet.

Bruk av gjæringsklosser hjelper til med å sikre flisfrie kutt i arbeidsstykker. Fest en gjæringskloss til føringsflaten ved hjelp av hullene i føringsflaten og skruer på 6 mm.

Mål for anbefalt gjæringskloss finner du i figuren.

- **Fig.53:** 1. Hull 2. Over 15 mm 3. Over 270 mm 4. 90 mm 5. 145 mm 6. 19 mm 7. 115 – 120 mm

EKSEMPEL Når du skjærer arbeidsstykker som er mellom 115 mm og 120 mm høye, må du bruke en gjæringskloss med følgende tykkelse.

Gjæringsvinkel	Gjæringsklossens tykkelse	
	115 mm	120 mm
0°	20 mm	38 mm
Venstre og høyre 45°	15 mm	25 mm
Venstre og høyre 60°	15 mm	25 mm

Sporsaging

⚠ ADVARSEL: Ikke forsøk å utføre denne typen kutt ved hjelp av en bredere bladtype eller et falseblad. Hvis du forsøker å skjære riller ved hjelp av et bredere blad eller falseblad, kan sageresultatene bli dårlige og det kan oppstå farlige tilbakeslag (kickback).

⚠ ADVARSEL: Sett stopperarmen tilbake til utgangsposisjon når du utfører noe annet enn sporsaging. Hvis du forsøker å sage når stopperarmen står i feil posisjon, kan sageresultatene bli dårlige og det kan oppstå farlige tilbakeslag (kickback).

For dadokutt må du gjøre følgende:

1. Juster nedre grenseposisjon for bladet med justeringsskruen og stopperarmen, for å begrense bladets skjæredybde. Se avsnittet «Stopperarm».
2. Når du har justert bladets nedre grenseposisjon, kutter du parallelle riller på tvers av arbeidsstykkets bredde. Bruk uttrekksfunksjonen.
► **Fig.54:** 1. Skjær riller med blad
3. Bruk et huggjern for å fjerne arbeidsstykkematerialet mellom rillene.

Spesialegenskaper for maks. skjærebredde

Hvis du vil bruke verktøyets maksimale skjærebredde, følger du trinnene nedenfor: Informasjon om maksimal skjærebredde for dette verktøyet finnes i "Skjærekapasitet for spesialsaging" under SPESIFIKASJONER.

1. Still inn verktøyet på gjæringsvinkel 0° eller 45°, og pass på at dreiefoten er låst. (Se avsnittet "Justere gjæringsvinkelen".)
2. Både de øvre og nedre føringsflatene må fjernes midlertidig og settes til side.
3. Skjær ut en plattform fra et 38 mm tykt, flatt bordmateriale som f.eks. tre, kryssfiner eller sponplate. Plattformen skal ha målene som er angitt i figuren.
► **Fig.55:** 1. Gjæringsvinkel 0°: Over 450 mm
2. Gjæringsvinkel 45°: Over 325 mm 3. 38 mm 4. Over 760 mm

⚠ ADVARSEL: Pass på at du bruker flatt bordmateriale som plattform. Bordmateriale som ikke er flatt kan bevege seg under skjæring, og dette kan føre til tilbakeslag og alvorlige personskader.

MERK: Den maksimale skjærekapasiteten i høyde står i forhold til plattformens tykkelse.

4. Plasser plattformen på verktøyet slik at den stikker ut like mye på hver side av verktøyfoten. Fest plattformen til verktøyet ved å sette fire treskruer på 6 mm i de fire hullene i de nedre føringsflatene.
► **Fig.56:** 1. Skruer (to på hver side) 2. Nedre føringsflate 3. Fot 4. Plattform

⚠ ADVARSEL: Pass på at plattformen ligger flatt mot verktøyfoten og er festet godt til de nedre føringsflatene ved hjelp av de fire skruhullene.

Hvis plattformen ikke er godt nok festet, kan den bevege seg når du skjærer. Dette kan føre til tilbakeslag som kan forårsake alvorlige personskader.

⚠ ADVARSEL: Pass på at verktøyet er fastmontert på et stabilt og flatt underlag. Hvis verktøyet ikke er riktig montert eller sikret, kan det bli ustabil. Dette kan føre til at du mister kontrollen over verktøyet og/eller at det faller i bakken. Resultatet av dette kan bli alvorlige personskader.

5. Monter de øvre føringsflatene på verktøyet.

⚠ ADVARSEL: De øvre føringsflatene må alltid være på plass når verktøyet brukes. De øvre føringsflatene gir den nødvendige støtten som trengs for å skjære arbeidsstykket.

Hvis arbeidsstykket ikke får tilstrekkelig støtte, kan det bevege seg når du skjærer. Dette kan føre til at du mister kontrollen over arbeidsstykket/verktøyet og at det oppstår tilbakeslag og alvorlige personskader.

6. Arbeidsstykket som skal skjæres plasseres på plattformen som er festet til verktøyet.
7. Før du begynner å skjære, må arbeidsstykket festes godt til de øvre føringsflatene ved hjelp av en skrustikke.
► **Fig.57:** 1. Øvre føringsflate 2. Vertikal skrustikke 3. Arbeidsstykke 4. Plattform

8. Skjær sakte gjennom arbeidsstykket slik det beskrives i "Skyvesaging (sage brede arbeidsstykker)".

⚠ ADVARSEL: Kontroller at skrustikken holder arbeidsstykket godt på plass, og skjær sakte. Hvis ikke, kan arbeidsstykket bevege seg. Dette kan føre til tilbakeslag som kan forårsake alvorlige personskader.

⚠ ADVARSEL: Vær oppmerksom på at plattformen kan bli svekket hvis du skjærer flere ganger med forskjellige gjæringsvinkler. Hvis plattformen har blitt svakere på grunn av de mange skårene og hakkene, må den skiftes ut. Hvis den svekkede plattformen ikke skiftes ut, kan arbeidsstykket bevege seg når du skjærer. Dette kan føre til tilbakeslag som kan forårsake alvorlige personskader.

Bærbart verktøy

Før du flytter på verktøyet, må du forvise deg om at støpselet er trukket ut og at alle bevegelige deler på gjærings sagen er sikret. Kontroller alltid følgende:

- Støpselet er trukket ut.
- Sleden står i skråvinkelstilling 0° og er sikret.
- Sleden er senket og låst.
- Sleden er skjovet helt inntil føringsflaten og låst.
- Dreiefoten er helt i høyre skråvinkelstilling og sikret.
- Holderne er lagt bort og sikret.

Bær verktøyet ved å holde begge sidene på sagfoten som vist i figuren.

► **Fig.58**

⚠ ADVARSEL: Anslagsstiften for bæring er kun for bæring og oppbevaring, og ikke for saging. Hvis du bruker anslagsstiften når du sager, kan sagbladet gjøre uventede bevegelser. Dette kan forårsake tilbakeslag som kan gi alvorlige personskader.

⚠ FORSIKTIG: Sikre alle bevegelige deler før du flytter verktøyet. Hvis deler av verktøyet kommer i bevegelse eller begynner å gli under flyttingen, kan verktøyet komme i ubalanse og føre til personskader.

VEDLIKEHOLD

⚠ ADVARSEL: Forviss deg alltid om at verktøyet er slått av og støpselet trukket ut av kontakten før du foretar inspeksjon eller vedlikehold. Hvis du ikke slår av verktøyet og kobler det fra strømmettet, kan det utilsikket bli startet opp og forårsake alvorlige personskader.

⚠ ADVARSEL: Du må alltid sørge for at bladet er slipt og rent for best og sikrest mulig ytelse. Hvis du forsøker å kutte med et sløvt og/eller skittent blad, kan det oppstå tilbakeslag (kickback) som kan gi alvorlige personskader.

OBS: Aldri bruk gasolin, bensin, tynner alkohol eller lignende. Det kan føre til misfarging, deformering eller sprekkdannelse.

Justere skjærevinkelen

Denne sagen er nøye justert og tilpasset ved fabrikken, men tøff bruk kan ha påvirket tilpasningen. Hvis sagen din ikke er godt nok tilpasset, må du gjennomføre følgende:

Gjæringsvinkel

Senk hendelen helt, og lås den i senket stilling med anslagsstiften. Skyv sleden mot føringsflaten. Løsne håndtaket og skruene som sikrer pekeren og skråvinkelskalaen.

► **Fig.59:** 1. Skruer på peker 2. Skruer på gjæringsvinkelskala 3. Gjæringssskala

Sett dreiefoten i 0°-stilling ved hjelp av funksjonen for fast anslag. Bring siden på bladet i rett vinkel mot fronten på føringsflaten ved hjelp av en trekantlinjal eller et vinkeljern. Mens du holder den rette vinkelen, strammer du skruene på gjæringsvinkelskalaen. Deretter innretter du pekerne (både høyre og venstre) med 0°-stillingen i gjæringsvinkelskalaen, og deretter strammer du skruen på pekeren.

► **Fig.60:** 1. Trekantlinjal

Skjæringsvinkel

0° skjæringsvinkel

Skyv sleden mot føringsflaten, og lås glidebevegelsen med anslagsstiften. Senk hendelen helt, og lås den i senket stilling med anslagsstiften. Deretter løsner du knotten. Drei justeringsbolten for 0° to eller tre omdreininger mot klokken for å vippe bladet mot høyre.

► **Fig.61:** 1. Justeringsbolt for 0° 2. Skruer

Bring siden på bladet forsiktig i rett vinkel med oversiden av dreiefoten med en trekantlinjal, et vinkeljern e.l. ved å dreie justeringsbolten for 0° med klokken. Stram deretter knotten godt for å sikre 0°-vinkelen som du har stilt inn.

► **Fig.62:** 1. Trekantlinjal 2. Sagblad 3. Overflaten av dreiefoten

Kontroller igjen at siden på bladet er i rett vinkel med dreiefotens overflate. Løsne skruen på pekeren. Innrett pekeren med 0°-stilling i skråvinkelskalaen, og stram deretter skruen.

45° skjæringsvinkel

OBS: Før du justerer 45°-skråvinkelen, må du fullføre justeringen av 0°-skråvinkelen.

Løsne knotten, og vipp sleden helt til siden som du vil kontrollere. Kontroller om pekeren angir 45°-stillingen i skråvinkelskalaen.

► **Fig.63**

Hvis pekeren ikke angir 45°-stillingen, innretter du den med 45°-stilling ved å dreie justeringsbolten på motsatt side av skråvinkelskalaen.

► **Fig.64:** 1. Venstre justeringsbolt for 45° 2. Høyre justeringsbolt for 45°

Justere laserlinjeposisjonen

Kun for modell LS1219L

⚠ ADVARSEL: Verktøyet må være koblet til strømmettet når laserlinjen justeres. Vær ekstra forsiktig for å unngå å slå på verktøyet mens du justerer. Hvis verktøyet utilsikket slås på, vil det være fare for alvorlige personskader.

⚠ FORSIKTIG: Aldri se direkte inn i laserstrålen. Øynene kan få alvorlige skader hvis de treffes direkte av laserstrålen.

OBS: Kontroller laserlinjeposisjonens nøyaktighet regelmessig.

OBS: Vær oppmerksom på slag mot verktøyet. Det kan føre til at laserlinjen blir skjev eller at laseren skades og får kortere levetid.

OBS: Hvis det oppdages feil på laserenheten, må verktøyet repareres av et autorisert Makita-verksted.

Laserlinjens bevegelsesområde avgjøres av avstandsjusteringskruene på begge sider. Utfør følgende prosedyrer for å endre laserlinjeposisjonen.

1. Koble verktøyet fra strømmettet.
2. Tegn opp en skjærelinje på arbeidsstykket, og plasser det på dreiefoten. Ikke sikre arbeidsstykket med skrustikke eller lignende festeinnretning på dette tidspunktet.
3. Senk hendelen, og innrett skjærelinjen med sagbladet.
4. Sett hendelen tilbake i opprinnelig stilling, og sikre arbeidsstykket med den vertikale skrustikken slik at arbeidsstykket ikke beveger seg fra stillingen som du har valgt.
5. Koble til verktøyet og slå på laserbryteren.
6. Løsne justeringsskruen. Hvis du vil bevege laserlinjen bort fra bladet, dreier du avstandsjusteringskruene mot klokken. Hvis du vil bevege laserlinjen nærmere bladet, dreier du avstandsjusteringskruen med klokken.

Justere laserlinjen på venstre side av bladet

- **Fig.65:** 1. Justeringsskrue
2. Avstandsjusteringsskrue
3. Sekskantnøkkel 4. Laserlinje 5. Sagblad

Justere laserlinjen på høyre side av bladet

- **Fig.66:** 1. Justeringsskrue
2. Avstandsjusteringsskrue
3. Sekskantnøkkel 4. Laserlinje 5. Sagblad

7. Skyv justeringsskruen til stillingen der laserlinjen kommer inn i skjærelinjen, og stram til.

MERK: Laserlinjens bevegelsesområde er fabrikkjustert på 1 mm fra sideflaten på bladet.

Rengjøre laserlinsen

Kun for modell LS1219L

Laserlyset blir vanskelig å se etter hvert som laserlysets linse blir tilsmusset. Rengjør laserlysets linse regelmessig.

- **Fig.67:** 1. Skruer 2. Linse

Koble verktøyet fra strømmettet. Løsne skruen, og dra ut linsen. Rengjør linsen forsiktig med en fuktig, myk klut.

OBS: Ikke fjern skruen som holder linsen på plass. Hvis du ikke klarer å få ut linsen, løsner du skruen litt mer.

OBS: Ikke bruk løsemidler eller petroleumbaserte rengjøringsmidler på linsen.

Skifte kullbørster

- **Fig.68:** 1. Grensemerke

Ta ut og kontroller kullbørstene med jevne mellomrom. Bytt dem når de er slitt ned til grensemerket. Hold kullbørstene rene og frie til å bevege seg i holderne. Begge kullbørstene må byttes samtidig. Bruk bare identiske kullbørster.

Bruk en skrutrekker til å fjerne børsteholderhettene. Ta ut de slitte kullbørstene, sett i nye, og fest børsteholderhettene.

- **Fig.69:** 1. Børsteholderhette

Når du har byttet børster, skal du koble til verktøyet og kjøre inn børstene ved å la verktøyet svive uten belastning i 10 minutter. Kontroller deretter verktøyet mens det sviver, og kontroller den elektriske bremsefunksjonen når du slipper startbryteren. Hvis de elektriske bremsene ikke fungerer som de skal, må verktøyet repareres av et autorisert Makita-verksted.

Etter bruk

Etter bruk, må du tørke av fliser og støv som kleber til sagen med en klut eller lignende. Hold bladvernet rene i henhold til instruksjonene i avsnittet «Bladvern». Smør glidedelene med maskinolje for å hindre at maskinen rustner.

For å opprettholde produktets SIKKERHET og PÅLITELIGHET, må reparasjoner, vedlikehold og justeringer utføres av autoriserte Makita servicesentre eller fabrikkservicesentre, og det må alltid brukes reservedeler fra Makita.

VALGFRITT TILBEHØR

⚠ADVARSEL: Det anbefales at du bruker dette Makita-tilbehøret sammen med Makita-verktøyet som er spesifisert i denne håndboken. Hvis du bruker andre typer tilleggsutstyr eller tilbehør, kan det oppstå alvorlige personskader.

⚠ADVARSEL: Makita-tilleggsutstyret og -tilbehøret skal kun brukes til det formålet det er beregnet for. Hvis tilleggsutstyr eller tilbehør brukes på en annen måte eller til andre formål enn det som er angitt, kan det oppstå alvorlige personskader.

Ta kontakt med ditt lokale Makita-servicesenter hvis du trenger mer informasjon om dette tilbehøret.

- Sagblad med stål- og karbidspisser
- Vertikal skrustikke
- Horisontal skrustikke
- Profilliststoppersett
- Støpøse
- Trekantlinjal
- Sekskantnøkkel
- Sekskantnøkkel (for LS1219L)

MERK: Enkelte elementer i listen kan være inkludert som standardtilbehør i verktøypakken. Elementene kan variere fra land til land.

TEKNISET TIEDOT

Malli:		LS1219	LS1219L
Terän halkaisija		305 mm	
Reiän halkaisija	Eurooppalaisille maille	30 mm	
	Euroopan ulkopuolisille maille	25,4 mm	
Sahanterän hampaan maksimipaksuus		3,2 mm	
Suurin jiirauskulma		Oikea 60°, Vasen 60°	
Suurin viistekulma		Oikea 48°, Vasen 48°	
Kuormittamaton kierrosnopeus (RPM)		3 200 min ⁻¹	
Lasertyyppi	-	Punainen laser 650 nm, Maksimiteho < 1,6 mW (Laserluokka 2M)	
Mitat (P x L x K)		898 mm x 664 mm x 725 mm	
Nettopaino		29,3 kg	29,5 kg
Suojausluokka		□/II	

Sahauskapasiteetit (K x L)

Jiirikulma			Kallistuskulma		
			45° (vasen)	0°	45° (oikea)
0°	-	-	61 mm x 382 mm 71 mm x 363 mm	92 mm x 382 mm 107 mm x 363 mm	44 mm x 382 mm 54 mm x 363 mm
	Ohjainkiskon päälipuukappaleen paksuus nostettua leikkauskorkeutta varten	20 mm	78 mm x 325 mm	115 mm x 325 mm	61 mm x 325 mm
38 mm		80 mm x 292 mm	120 mm x 292 mm	-	
45° (oikea ja vasen)	-	-	61 mm x 268 mm 71 mm x 255 mm	92 mm x 268 mm 107 mm x 255 mm	44 mm x 268 mm 54 mm x 255 mm
	Ohjainkiskon päälipuukappaleen paksuus nostettua leikkauskorkeutta varten	15 mm	-	115 mm x 227 mm	-
25 mm		-	120 mm x 212 mm	-	
60° (oikea ja vasen)	-	-	-	92 mm x 185 mm 107 mm x 178 mm	-
	Ohjainkiskon päälipuukappaleen paksuus nostettua leikkauskorkeutta varten	15 mm	-	115 mm x 155 mm	-
25 mm		-	120 mm x 140 mm	-	

Sahauskapasiteetit erikoisleikkauksille

Sahaustyyppi	Sahauskapasiteetti
Reunalista 45° tyyppi (käytettäessä reunalistarajoitinta)	203 mm
Jalkalista (käytettäessä vaakapuristinta)	171 mm

- Jatkuvasta tutkimus- ja kehitystyöstämme johtuen esitetyt tekniset tiedot saattavat muuttua ilman erillistä ilmoitusta.
- Tekniset tiedot voivat vaihdella maittain.
- Paino EPTA-menetelmän 01/2014 mukainen

Symbolit

Laitteessa on käytetty seuraavia symboleja. Opettele niiden merkitys ennen käyttöä.



Lue käyttöohje.



KAKSINKERTAINEN ERISTYSTY



Pidä sahan pää sahausken jälkeen alhaalla, kunnes saha on kokonaan pysähtynyt. Näin vältät lentävien roskien aiheuttaman loukkaantumisen.



Kun suoritetaan liukuleikkaus, vedä ensin kuljetin täysin ulos ja paina kahva alas, työnnä sitten kuljetinta sahausvasteen suuntaan.



Älä laita käsiä tai sormia terän lähelle.



Älä koskaan katso lasersäteeseen. Suora ja välitön lasersäde voi vahingoittaa silmiäsi.



Koskee vain EU-maita
Älä hävitä sähkötarvikkeita tavallisen kotitalousjätteen mukana! Vanhoja sähkö- ja elektroniikkalaitteita koskevan EU-direktiivin ja sen maakohtaisten sovellusten mukaisesti käytetyt sähkötarvikkeet on toimitettava ongelmajätteen keräyspisteeseen ja ohjattava ympäristöystävälliseen kierrätykseen.

Käyttötarkoitus

Laitte on tarkoitettu puun tarkkaan suoraan katkaisuun ja jiirisahaukseen. Sillä voidaan sahata myös alumiinia sopivaa sahanterää käyttämällä.

Virtalähde

Koneen saa kytkeä vain sellaiseen virtalähteeseen, jonka jännite on sama kuin arvokilvessä ilmoitettu, ja sitä saa käyttää ainoastaan yksivaiheisella vaihtovirralla. Laitte on kaksinkertaisesti suojaeristetty ja siksi se voidaan kytkeä myös maadoittamattomaan pistorasiaan.

Melutaso

Tyypillinen A-painotettu melutaso määryyty standardin EN62841 mukaan:

Malli LS1219

Äänenpainetaso (L_{pA}): 91 dB (A)

Äänen voiman taso (L_{WA}): 100 dB (A)

Virhemarginaali (K): 3 dB (A)

Malli LS1219L

Äänenpainetaso (L_{pA}): 91 dB (A)

Äänen voiman taso (L_{WA}): 100 dB (A)

Virhemarginaali (K): 3 dB (A)

VAROITUS: Käytä kuulosuojaimia.

Tärinä

Kokonaistärinä (kolmen akselin vektorien summa) määryyty standardin EN62841 mukaan:

Malli LS1219

Tärinäpäästö (a_{h}): 2,5 m/s² tai alhaisempi
Virhemarginaali (K): 1,5 m/s²

Malli LS1219L

Tärinäpäästö (a_{h}): 2,5 m/s² tai alhaisempi
Virhemarginaali (K): 1,5 m/s²

HUOMAA: Ilmoitettu tärinäpäästöarvo on mitattu standarditestaustimenetelmän mukaisesti, ja sen avulla voidaan vertailla työkaluja keskenään.

HUOMAA: Ilmoitettua tärinäpäästöarvoa voidaan käyttää myös altistumisen alustavaan arviointiin.

VAROITUS: Työkalun käytön aikana mitattu todellinen tärinäpäästöarvo voi poiketa ilmoitetusta tärinäpäästöarvosta työkalun käyttötavan mukaan.

VAROITUS: Selvitä käyttäjän suojaamiseksi tarvittavat varoimet todellisissa käyttöolosuhteissa tapahtuvan arvioidun altistumisen mukaisesti (ottaen huomioon käyttöjako kokonaisuudessaan, myös jaksot, joiden aikana työkalu on sammutettuna tai käy tyhjäkäynnillä).

EY-vaatimustenmukaisuusvakuutus

Koskee vain Euroopan maita

EY-vaatimustenmukaisuusvakuutus on liitetty tähän käyttöoppaaseen.

TURVAVAROITUKSET

Sähkötyökalujen käyttöä koskevat yleiset varoitukset

VAROITUS: Tutustu kaikkiin tämän sähkötyökalun mukana toimitettuihin varoituksiin, ohjeisiin, kuviin ja teknisiin tietoihin. Seuraavassa lueteltujen ohjeiden noudattamatta jättäminen saattaa johtaa sähköiskuun, tulipaloon tai vakavaan vammautumiseen.

Säilytä varoitukset ja ohjeet tulevaa käyttöä varten.

Varoituksissa käytettävällä termillä "sähkötyökalu" tarkoitetaan joko verkkovirtaa käyttävää (johdollaista) työkalua tai akkukäyttöistä (johdotonta) työkalua.

Jiirisahoja koskevat turvallisuusohjeet

- Jiirisahat ovat tarkoitettu puun ja puutuotteiden sahauskeeseen. Niitä ei voi käyttää katkaisuhiomalaikkojen kanssa rautamateriaalien sahauskeeseen, kuten varret, tangot, karat jne.** Hiomapöly aiheuttaa liikkuvien osien, kuten alasuojuksen jumiuutumisen. Katkaisusta muodostuvat kipinät polttavat alasuojuksen, itse sahanterän hampaan sekä muita muoviosia.

2. **Kiinnitä työkappale paikalleen puristimia käyttämällä aina, kun se on mahdollista. Jos työkappaletta tuetaan käsin, pidä kätesi aina vähintään 100 mm etäisyydellä sahanterän sivuilta. Älä käytä tätä laitetta liian pienien kappaleiden sahaukseen, joita ei voi kiinnittää luotettavasti paikalleen tai pitää käsin kiinni.** Jos kätesi on liian lähellä sahanterää, teräkosketuksesta aiheutuva tapaturmariski kasvaa.
 3. **Työkappaleen täytyy olla paikallaan ja kiinnitettyinä, tai pidettyinä kiinni sekä ohjauskiskoa ja pöytää vasten. Älä syötä työkappaletta terälle tai suorita sahausta "vapaalla kädellä" missään tilanteessa.** Lukitsemattomat tai liikkuvat työkappaleet voivat sinkoutua käyttäjää kohti suurella nopeudella aiheuttaen henkilövahinkoja.
 4. **Paina sahaa koko työkappaleen läpi. Älä vedä sahaa koko työkappaleen läpi. Suorita sahaus nostamalla sahapää ylös ja vetämällä sitä työkappaleen yli ilman sahaamista, käynnistämällä moottori, painamalla sahapää alas ja painamalla sahaa koko työkappaleen läpi.** Sahaus vetoliikkeen aikana aiheuttaa sahanterän kiipeämisen työkappaleen päälle ja paiskaamaan teräkokoontalon voimakkaasti käyttäjää päin.
 5. **Älä aseta käsiäsi sahausviivalle, sahanterän etu- tai takapuolelle. Työkappaleen tukeminen "poikittaisella kädellä" ts. työkappaleen pitäminen oikealta puolelta vasemmalla kädellä tai päinvastoin on erittäin vaarallista.**
- **Kuva1**
6. **Älä kurkota suojan taakse kummallakaan kädellä 100 mm lähempänä terää, puukappaleiden poistamiseksi tai mistään muusta syystä terän pyöriessä.** Pyöriävän terän läheisyys suhteessa käsiisi ei ehkä ole selvä ja tämä voi johtaa vakavaan henkilövahinkoon.
 7. **Tarkasta työkappale ennen sahaamisen aloittamista. Jos työkappale on taipunut tai kiertynyt, kiinnitä se taipuneen osan ulkopuoli suoja vasten. Varmista aina, että työkappaleen, ohjauskiskon ja pöydän välillä ei ole rakoa sahausviivalla.** Taipuneet tai kiertyneet työkappaleet voivat liikkua ja aiheuttaa pyöriävän sahanterän juuttumisen sahausken aikana. Työkappaleessa ei saa olla nauvoja tai muita vieraita esineitä.
 8. **Älä käytä sahaa, ennen kuin pöydällä ei ole työkaluja, puukappaleita jne., itse työkappaleen lisäksi.** Pyöriävään terään koskettavat pienet roskat tai irtonaiset puukappaleet tai muut esineet voivat sinkoutua ulos suurella nopeudella.
 9. **Sahaa ainoastaan yksi työkappale kerrallaan.** Pinottuja työkappaleita ei voida kiinnittää kunnolla ja ne voivat juuttua terään tai liikkua sahausken aikana.
 10. **Varmista ennen jiirisahan käyttöä, että se on asennettu tai sijoitettu tasaisen ja tukevan pinnan päälle.** Tasainen ja tukeva pinta alentaa jiirisahan epätasapainoa.
 11. **Suunnittele työsi. Joka kerta kun vaihdat viiste- tai jiiirikulmaa varmista, että säädettävä ohjauskisko on asetettu oikein tukemaan työkappaletta eikä häiritse terää tai suojajärjestelmää.** Ilman, että kone on "PÄÄLLÄ" ja sen pöydällä ei ole työkappaletta, suorita sahauskoe varmistaaksesi, että ohjauskisko ei häiritse sahausta tai sitä ei sahata.
 12. **Asenna tarvittavat tuet, kuten pöydän jatkeet, sahapukit jne., pöydän pintaa pidemmille tai leveämmille työkappaleille.** Jiirisahan pöytää pidemmät tai leveämmät työkappaleet voivat kaataa, jos niitä ei ole tuettu kunnolla. Jos katkaistu osa tai työkappale putoaa, voi se nostaa alasuojan ylös tai sinkoutua pyöriävän terän voimasta.
 13. **Älä käytä toista henkilöä pöydän jatkeen sijaan tai lisätukena.** Epävakaa työkappaleen tuki voi johtaa terän jumiuutumiseen tai työkappaleen liikkumiseen sahausken aikana ja vetää sinut tai avustajan terää kohti.
 14. **Irti sahattu osa ei saa juuttua tai painua pyöriivä sahanterään vasten.** Jos puristuksissa, esim. pituusrajotimien käytön aikana, sahattu osa voi kiilautua terää vasten ja sinkoutua ulos voimalla.
 15. **Käytä aina pyöreiden esineiden, kuten tankojen tai putkien kiinnittintä tai kannatinta.** Tangoilta on taipumus rullata sahausken aikana, jolloin terä "puree" kiinni ja vetää työkappaleen ja kätesi terää kohti.
 16. **Anna terän saavuttaa maksiminopeus ennen koskettamista työkappaleeseen.** Tämä alentaa työkappaleen sinkoutumisen vaaraa.
 17. **Jos työkappale tai terä takertuu tai jumiuuu, sammuta jiirisaha. Odota, että kaikki liikkuvat osat ovat pysähtyneet, irrota virtapistoke virtalähteestä ja/tai irrota akku. Tämän jälkeen vapautta jumiuutunut materiaali.** Sahaamisen jatkaminen kiinnitkertuneella ja jumiuutuneella työkappaleella voi aiheuttaa jiirisahan hallinnan menettämisen tai vaurioitumisen.
 18. **Kun sahaus on valmis, vapauta kytkin, pidä sahapäätä alhaalla ja odota, kunnes terä on pysähtynyt ennen katkaistun kappaleen poistamista.** Käsin kurottaminen pyöriävän terän lähelle on vaarallista.
 19. **Pidä kahvasta tiukasti kiinni epätäydellisen sahausken yhteydessä tai kun kytkin vapautetaan ennen kuin sahapää on täysin alhaalla.** Sahan jarrutus toiminto voi aiheuttaa sahapään vetämisen äkillisesti alaspäin ja johtaa tapaturmaan.
 20. **Käytä vain sahanteriä, joiden halkaisija on sama kuin työkaluun merkitty tai ohjekirjassa mainittu.** Vääränkokoisien terän käyttäminen voi vaikuttaa terän suojuksen tai itse terän toimivuuteen ja aiheuttaa vakavia vammoja.
 21. **Käytä vain sahanteriä, joiden merkitty nopeus on vähintään yhtä suuri tai suurempi kuin työkaluun merkitty nopeus.**
 22. **Älä sahaa muuta kuin puuta, alumiinia tai vastaavia materiaaleja.**
 23. **(Ainoastaan Euroopan valtiot) Käydä aina sahanteriä, jotka noudattavat standardin EN847-1 vaatimuksia.**
- Lisäohjeet**
1. **Käytä riippulukkoja työpaikan lapsiturvallisuu- den varmistamiseksi.**
 2. **Älä seiso laitteen päällä.** Mikäli kone kallistuu tai leikkuuterään kosketaan vahingossa voi seurauksena olla vakavia henkilövahinkoja.

3. Älä jätä käynnissä olevaa laitetta ilman valvontaa. Katkaise aina virta. Älä jätä laitetta ilman valvontaa ennen kuin terä on täysin pysähtynyt.
 4. Älä käytä sahaa ilman suojuksia. Varmista terän suojuksen sulkeutuminen ennen jokaista käyttökertaa. Älä käytä sahaa, jos terän suojus ei liiku vapaasti ja sulkeudu välittömästi. Älä koskaan kiristä tai sido terän suojusta asentoon Auki.
 5. Pidä kädet poissa sahanterän liikeradalta. Vältä koskettamasta rullaavaa terää. Se voi aiheuttaa vakavan onnettomuuden.
 6. Tapaturmariskin pienentämiseksi, siirrä alusta täysin taka-asentoonsa aina jokaisen sahaus-toiminnon jälkeen.
 7. Kiinnitä kaikki liikkuvat osat aina ennen laitteen kuljetusta.
 8. Lukitustappi, joka lukitsee leikkausterän, on tarkoitettu vain kantamiseen ja säilytykseen eikä sitä ole tarkoitettu leikkaukseen käyttöön.
 9. Tarkista, ettei terässä ole halkeamia tai muita vikoja, ennen kuin aloitat työskentelyn. Vaihda haljennut tai vahingoittunut terä välittömästi. Terään kovettunut pihka hidastaa sahaamista ja lisää takapotkun vaaraa. Pidä terä puhtaana irrottamalla se sahasta ja puhdistamalla pihkanpoistoaineella, kuumalla vedellä tai petroliilla. Älä käytä bensiiniä terän puhdistamiseen.
 10. Liukusahauksen yhteydessä voi tapahtua TAKAPOTKU. TAKAPOTKUJA voi esiintyä, jos terä takertuu työkalupäälleen sahausajan aikana ja sahanterä sinkoutuu nopeasti käyttäjää kohti. Seurauksena voi aiheutua laitehallinnan menetyksellä vakava henkilövahinko. Jos terä alkaa takertumaan sahausajan aikana, keskeytä sahaus ja vapauta kytkin välittömästi.
 11. Käytä ainoastaan tälle laitteelle tarkoitettuja laippoja.
 12. Ole varovainen, ettet vahingoita karaa, laippoja (erityisesti asennuspintaa) tai pulttia. Näiden osien vaurioituminen voi aiheuttaa terän rikkoutumisen.
 13. Varmista, että kääntöalusta on kiinnitetty kunnolla, ettei se liiku käytön aikana. Käytä alustan reikiä sahan kiinnittämiseksi kestävään työpöytään tai työpenkkiin. ÄLÄ koskaan käytä laitetta jos käyttäjän asento on hankala.
 14. Varmista, että akselilukko on avattu, ennen kuin virta kytketään päälle.
 15. Varmista, ettei terä kosketa kääntöalustaa alimmassa kohdassa.
 16. Ota koneesta luja ote. Huomioi, että saha liikkuu hieman ylös- tai alaspäin käynnistettäessä ja pysäytettäessä sitä.
 17. Varmista, että terä ei kosketa työkalupäälletta, ennen kuin painat kytkintä.
 18. Anna koneen käydä jonkin aikaa, ennen kuin alat työstää työkalupäälletta. Varmista, ettei työkalupäälletä tärise tai heilu, mikä voi johtua huonosta asennuksesta tai huonosti tasapainotetusta terästä.
 19. Lopeta käyttö heti, jos havaitset mitään epänormaalia.
 20. Älä yritä lukita liipaisinta asentoon "PÄÄLLÄ".
 21. Käytä vain tässä ohjeessa suositeltuja lisävarusteita. Sopimattomien lisävarusteiden, esimerkiksi hiomalaikkojen käyttö voi aiheuttaa tapaturman.
 22. Jotkin materiaalit sisältävät kemikaaleja, jotka voivat olla myrkyllisiä. Vältä pölyn sisäänhengittämistä ja ihokosketusta. Noudata materiaalin toimittajan turvaohjeita.
- Laserialue koskevat lisäturvaohjeet
1. LASERSÄTEILY, ÄLÄ TUJOTA SÄTEESEEN TAI KATSO SUORAAN OPTISILLA LAITTEILLA, 2M-LUOKAN LASERTUOTE.

SÄILYTÄ NÄMÄ OHJEET.

VAROITUS: ÄLÄ anna työkalun helppokäyttöisyyden (toistuvan käytön aikaansaama) johtaa sinua väärään turvallisuuden tunteeseen niin, että laiminlyöt työkalun turvaohjeiden noudattamisen. VÄÄRINKÄYTTÖ tai tässä käyttöohjeessa ilmoitettujen turvämääräysten laiminlyönti voi aiheuttaa vakavia henkilövahinkoja.

OSIEN KUVAUS

► Kuva2

1	Liukutanko	2	Rajoitintappi (alustan liukumiseen)	3	Pystypuristin	4	Vapautuspainike (oikean puolen viistekulma)
5	Pidike	6	Kääntöalusta	7	Osoitin (jiirikulma)	8	Jiirikulma-asteikko
9	Kitapala	10	Teräkotelo	11	Säätöruuvi (laserviiva)	12	Alueen säätöruuvi (laserviiva)
13	Teräsuojaus	14	Nuppi (viistekulma)	15	Kuusioavain	16	Säätöruuvi (alempi raja-asento)
17	Säätöpultti (suurin sahauskapasiteetti)	18	Lukitusvarsi	19	Lukitusvipu (kääntöalusta)	20	Vapautusvipu (kääntöalusta)
21	Kahva (kääntöalusta)	-	-	-	-	-	-

► Kuva3

1	Liipaisinkytkin	2	Lukituspainike	3	Reikä riippulukkoa varten	4	Kytkin (laserviiva)
5	Letku (pölynpoisto)	6	Rajoitintappi (alustan liukumiseen)	7	Ohjaukisko (alaohjaukisko)	8	Ohjaukisko (yläohjaukisko)
9	Pölypussi	10	0° säätöpultti (viistekulma)	11	Viistekulma-asteikko	12	Vapautusvipu (48° viistekulma)
13	Lukitusvipu (viistekulma)	14	Osoitin (viistekulma)	15	45° säätöpultti (viistekulma)	-	-

ASENNUS

Kahvan asentaminen

Kierrä kahvan kierreakseli kääntöalustaan.

► **Kuva4:** 1. Kahva 2. Kääntöalusta

Pölynpoistoletkun asentaminen

Liitä pölynpoistoletku laitteeseen kuvan mukaisella tavalla.

Varmista, että kulma ja holkki asettuvat oikein laitteen liitäntään.

► **Kuva5:** 1. Pölynpoistoletku 2. Kulma 3. Holkki 4. Liitäntä

Penkin kiinnittäminen

Laitteen kahva on lukittu kuljetuksen ajaksi ala-asentoon rajoitintapin avulla. Kun kahvaa lasketaan hieman, vedä rajoitintappia ja kierrä sitä 90°.

► **Kuva6:** 1. Lukittu asento 2. Avattu asento 3. Rajoitintappi

Työkalu tulee ruuvata neljällä ruuvilla tasaiselle pinnalle laitteen pohjassa olevia ruuvireikiä käyttäen. Tämä estää kaatumisen ja mahdollisen vammautumisen.

► **Kuva7:** 1. Pultti

VAROITUS: Varmista, että laite ei pääse liikkumaan tukipinnalla. Jos jiirisaha pääsee liikkumaan tukipinnalla sahaamisen aikana, seurauksena voi olla työkalun hallinnan menettäminen ja vakava henkilövahinko.

TOIMINTOJEN KUVAUS

VAROITUS: Varmista aina ennen säätöjä tai tarkastuksia, että laite on sammutettu ja irrotettu virtalähteestä. Jos laitetta ei sammuteta ja irroteta virtalähteestä, se voi käynnistyä vahingossa ja aiheuttaa vakavan henkilövahingon.

Teräsuojus

► **Kuva8:** 1. Teräsuojus

Kun alennat kahvaa, teräsuojus nousee automaattisesti. Teräsuojus on jousitettu, joten ne palautuvat alkuperäiseen asentoonsa, kun sahaus on valmis ja kahva nostettu.

VAROITUS: Älä koskaan ohita tai poista teräsuojusta tai siihen kiinnittyvää joustia. Jos laitetta käytetään terän ollessa ilman suojusta, seurauksena voi olla vakava henkilövahinko.

Henkilökohtaisen turvallisuutesi vuoksi pidä teräsuojus aina hyvässä kunnossa. Suojusten poikkeava toiminta tulee korjata välittömästi. Tarkista, että jousi palauttaa suojuksen paikalleen.

VAROITUS: Älä koskaan käytä laitetta, jos teräsuojus tai jousi on vahingoittunut, viallinen tai irronnut. Jos laitetta käytetään, vaikka suojuus on vahingoittunut, viallinen tai irronnut, seurauksena voi olla vakava henkilövahinko.

Jos läpinäkyvä suojuus likaantuu, tai siihen liimautuu sahanpurua niin, ettei terä ja/tai työkalupale ole enää hyvin näkyvissä, irrota laite virtalähteestä ja puhdista suojuus huolellisesti kostealla kankaalla. Älä käytä liuotimia äläkä öljypohjaisia puhdistusaineita, sillä ne voivat vahingoittaa muovista suojusta.

Jos teräsuojus on erityisen likainen ja sen läpinäkyvyys on heikentynyt, irrota laite virtalähteestä ja löysää keskisuojuksen kuusioruuvi käyttämällä mukana toimitettua kuusioavainta. Löysää kuusioruuvi kiertämällä sitä vastapäivään ja nosta teräsuojus ja keskisuojuus ylös. Jos teräsuojus on näin sijoitettu, puhdistus voidaan suorittaa täydellisemmin ja tehokkaammin. Kun puhdistus on suoritettu, tee yllä mainitut toimet päinvastaisessa järjestyksessä ja kiinnitä ruuvi. Älä poista joustia pitävää teräsuojusta. Jos suojuus haalistuu iän myötä tai UV-valolle alttiina olon aikana, ota yhteys Makitan huoltokeskukseen uuden suojuksen tilaamiseksi. ÄLÄ ESTÄ SUOJUJUKSEN KÄYTTÖÄ TAI POISTA SITÄ.

► **Kuva9:** 1. Keskisuojuus 2. Kuusioavain 3. Teräsuojus

Kitapalat

Työkalu toimitetaan kääntöalustassa olevien kitapalojen kanssa minimoimaan leikkauksen poistumispuolen repimistä. Kitapalat ovat säädetty tehtaalla, jotta sahanterä ei koskettaisi kitapaloja. Säädä kitapalat ennen käyttöä seuraavasti:

- **Kuva10:** 1. Lovilauta
- **Kuva11:** 1. Vasen viistesahaus 2. Suora sahaus
3. Vasen viistesahaus 4. Sahanterä
5. Terän hampaat 6. Kitapala

Irrota ensin laite virtalähteestä. Löysää kaikkia kitapalojen ruuveja (2 vasemmalla ja oikealla puolella), kunnes kitapaloja voidaan vielä liikuttaa käsin. Laske kahva kokonaan alas ja lukitse se sitten ala-asentoon kiertämällä rajoitintappia. Vapautta rajoitintappi liikutangossa ja vedä alusta täysin itseäsi kohti. Säädä kitapalat niin, että ne juuri ja juuri koskettavat terän hampaiden syrjiä. Kiristä eturuuvit (älä kiristä liikaa). Työnnä kuljetin kokonaan ohjauskiskon suuntaan ja säädä kitapalat siten, että kitapalat juuri ja juuri koskettavat terän hampaiden syrjiä. Kiristä takaruuvit (älä kiristä tiukasti).

Kitapalojen säädön jälkeen vapautta rajoitintappi ja nosta kahva ylös. Kiristä sitten kaikki ruuvit tiukasti.

HUOMAUTUS: Varmista viistekulman asettamisen jälkeen, että kitapalat on säädetty oikein. Kun kitapalat on säädetty oikein, työkalu pysyy tukevasti paikallaan eikä repeydy helposti.

Parhaan sahauskyvyn ylläpitäminen

Tämä työkalu on säädetty tehtaalla siten, että se tarjoaa suurimman mahdollisen sahauskyvyn 305 mm:n sahanterällä.

Kun asennat uuden terän, tarkista aina terän ala-asennon raja ja säädä tarvittaessa seuraavasti:

Irrota ensin laite virtalähteestä. Käännä pysäytinvipu lukitusasentoon.

- **Kuva12:** 1. Pysäytinvipu

Työnnä alustaa kokonaan ohjauskiskoa päin ja laske kahva täysin alas.

Säädä terän asentoa kiertämällä säätöpulttia kuusioavaimella. Terän ulkokehän tulee kulkea hieman kääntöpöydän pinnantason alle ja myös kohtaan, jossa ohjauskiskon etupuoli kohtaa kääntöpöydän yläpinnan.

- **Kuva13:** 1. Säätöpultti

- **Kuva14:** 1. Kiertopohjan yläpinta 2. Terän kehä
3. Sahausvaste

Kun laite on irrotettu virtalähteestä, käännä terää käsin pitämällä kahva täysin alhaalla varmistaaksesi, että terä ei kosketa mitään alajalustan kohtaa. Suorita hienosäätö tarvittaessa.

Kun säätö on valmis, palauta pysäytinvipu aina alkuasentoonsa.

VAROITUS: Kun olet kiinnittänyt uuden terän ja laite on irrotettu virtalähteestä, varmista aina, että terä ei kosketa mihinkään alajalustan kohtaan kahvan ollessa täysin alhaalla. Jos terä koskettaa alustaa, seurauksena voi olla takapotku ja vakava henkilövahinko.

Lukitusvarsi

Terän alemmaa raja-asentoa voi helposti säätää lukitusvarren avulla. Säädä lukitusvarsi siirtämällä sitä nuolen osoittamaan suuntaan kuvan mukaisella tavalla. Kierrä säätöruuvia niin, että terä pysähtyy haluttuun asentoon kahvan ollessa laskettuna täysin alas.

- **Kuva15:** 1. Lukitusvarsi 2. Säätöruuvi

Leikkauskorkeuden säätäminen

HUOMIO: Viistekulman vaihtamisen jälkeen varmista aina kääntöalusta kiristämällä kädensijaa tiukasti.

HUOMAUTUS: Kääntöalustaa käännettäessä varmista, että nostat kahvan täysin.

- **Kuva16:** 1. Lukitusvipu 2. Kahva 3. Vapautusvipu
4. Osoitin

Kierrä kahvaa vastapäivään kääntöalustan vapauttamiseksi. Siirrä kääntöalustaa kiertämällä kahvaa ja pitämällä samanaikaisesti lukitusvipua täysin alhaalla. Aseta kohdistin haluttuun kulmaan asteikolla ja kiristä kahva tämän jälkeen.

HUOMAA: Jos painat vapautusvipua, voit siirtää kääntöalustaa ilman lukitusvivun pitämistä alhaalla. Kiristä kahva haluamaasi asentoon.

Tässä jiirisahassa on tarkka pysäytystoiminto. Voit asettaa oikean/vasemman jiirikulman 0°, 15°, 22,5°, 31,6°, 45° ja 60° nopeasti. Tämän toiminnon käyttämiseksi, siirrä kääntöalusta haluamasi tarkan pysäytyskulman lähelle samalla pitämällä lukitusvipua alhaalla. Vapautta lukitusvipu tämän jälkeen ja siirrä kääntöalustaa eteenpäin niin paljon, kunnes se lukittuu paikalleen.

Kallistuskulman säätäminen

HUOMAUTUS: Irrota aina yläohjauskiskot ja pystypuristin ennen viistekulman säätöä.

HUOMAUTUS: Viistekulman muuttamiseksi, sijoita kitapalat asianmukaisesti paikalleen, luvun ”Kitapalojen sijoittaminen” ohjeiden mukaisesti.

HUOMAUTUS: Kun käännät sahanterää, muista nostaa kahva kokonaan ylös.

HUOMAUTUS: Älä kiristä nuppia liian paljon. Muussa tapauksessa viistekulman mekaniismissa voi ilmetä käyttöhäiriöitä.

- 1. Käännä liikutangon nuppia vastapäivään.

- **Kuva17:** 1. Nuppi

- 2. Vedä ja kierrä lukitusvipua kuvan osoittamaan asentoon.

- **Kuva18:** 1. Lukitusvipu

- 3. Aseta kohdistin haluttuun kulmaan asteikolla siirtämällä alustaa ja kiristä nuppi tämän jälkeen.

- **Kuva19:** 1. Viistekulma-asteikko 2. Osoitin

Kallista alustaa oikealle, kallistamalla sitä hieman vasemmalle ja tämän jälkeen oikealle samalla painamalla vapautuspainiketta.

- **Kuva20:** 1. Vapautuspainike

Jos suoritat yli 45° viistesahauksen, siirrä alustaa liikkuttamalla vapautusvipua laitteen etuosaa päin. Voit suorittaa enintään 48° viistesahauksen.

► **Kuva21:** 1. Vapautusvipu

Tässä jiirisahassa on tarkka pysäytystoiminto. Voit asettaa oikean ja vasemman kulman 22,5° ja 33,9° nopeasti. Aseta lukitusvipu kuvan osoittamaan asentoon ja kallista alustaa. Muuta kulmaa vetämällä lukitusvipua ja kallistamalla alustaa.

► **Kuva22:** 1. Lukitusvipu

▲HUOMIO: Viistekulman muuttamisen jälkeen lukitse aina nuppi.

Liukulukitus

Alustan liukuliiikkeen lukitsemiseksi, työnnä alustaa ohjauskiskoa päin, kunnes se pysähtyy. Vedä rajoitinpappia ja kierrä sitä 90°.

► **Kuva23:** 1. Avattu asento 2. Lukittu asento
3. Rajoitintappi

Kytkimen käyttäminen

▲VAROITUS: Tarkista aina ennen laitteen liittämistä virtalähteeseen, että liipaisinkytkin toimii oikein ja palaa ”POIS PÄÄLTÄ”-asentoon, kun se vapautetaan. Älä paina liipaisinkytkintä voimakkaasti, ellei samalla paina lukitusnappia. Kytkin voi rikkoutua. Jos laitetta käytetään, vaikka kytkin ei toimi moitteettomasti, seurauksena voi olla vakava henkilövahinko.

▲VAROITUS: ÄLÄ koskaan käytä sahaa, jos liipaisinkytkin ei toimi moitteettomasti.

Epäkuntoisella kytkimellä varustettu kone on ERITTÄIN VAARALLINEN. Se tulee korjata välittömästi ennen käytön jatkamista vakavien henkilövahinkojen välttämiseksi.

▲VAROITUS: ÄLÄ KOSKAAN ohita lukituksen vapautuspainiketta teippaamalla sitä kiinni tai muulla tavoin. Jos kytkimen lukituksen vapautuspainike vapautetaan, laite saattaa käynnistyä vahingossa, mistä voi seurata vakava henkilövahinko.

▲VAROITUS: ÄLÄ KOSKAAN käytä sahaa, jos se käynnistyy pelkästään liipaisinkytkintä painamalla ilman, että painaisit lukituksen vapautuspainiketta. Jos kytkin on viallinen, laite saattaa käynnistyä vahingossa, mistä voi seurata vakava henkilövahinko. Toimita työkalu Makita-huoltoon korjattavaksi ENNEN kuin jatkat käyttöä.

► **Kuva24:** 1. Liipaisinkytkin 2. Lukituspainike
3. Reikä riippulukkoa varten

Käytä lukituksen vapautusnappia liipaisinkytkimen tahattoman vetämisen estämiseksi. Käynnistä laite painamalla lukituksen vapautuspainiketta ja painamalla liipaisinkytkimestä. Pysäytä vapauttamalla liipaisinkytkin. Liipaisinkytkimessä on reikä, johon voi kiinnittää riippulukon laitteen lukitsemista varten.

▲VAROITUS: Älä käytä lukkoa, jonka sangan tai vaijerin läpimitta on alle 6,35 mm. Jos sanka tai vaijeri on tätä ohuempi, työkalu ei lukkiudu asianmukaisesti OFF-asentoon ja saattaa käynnistyä vahingossa, mistä voi seurata vakava henkilövahinko.

Sähköinen toiminta

Vakionopeuden säätö

Laitte on varustettu sähköisellä vakionopeudensäädöllä, joka auttaa pitämään terän pyörimisnopeuden vakaana myös kuormitettuna. Kun terä pyörii vakionopeudella, sahausjälki on erittäin tasainen.

Pehmeä käynnistys

Tämä toiminto mahdollistaa laitteen pehmeän käynnistuksen rajoittamalla käynnistykseen vääntömomenttia.

Lasersäde-toiminta

Vain malli LS1219L

▲HUOMIO: Älä koskaan katso lasersäteeseen. Suora ja välitön lasersäde voi vahingoittaa silmiäsi.

Kytke lasersäde päälle painamalla kytkin ylempään asentoon (1). Kytke lasersäde pois päältä painamalla kytkin alempaan asentoon (0)

► **Kuva25:** 1. Laserkytkin

Laserviivaa voidaan siirtää sahanterän joko vasemmalle tai oikealle puolelle säätämällä säätöruuveja seuraavalla tavalla.

► **Kuva26:** 1. Säätöruuvi

1. Löysää säätöruuvia kiertämällä sitä vastapäivään.
2. Kun säätöruuvi on löysäyty, liu'uta säätöruuvia oikealle tai vasemmalle niin pitkälle kuin mahdollista.
3. Kiristä säätöruuvi hyvin siinä asennossaan, missä se ei enää liu'u.

HUOMAA: Laserviiva on säädetty tehtaalla, joten sen voi asentaa 1 mm rajoissa terän sivupinnasta (sahasasento).

HUOMAA: Jos lasersäde näkyy himmeänä eikä erotu kunnolla auringonvalon vuoksi, siirry työskentelemään paikkaan, johon aurinko ei pääse paistamaan suoraan.

Laserviivan kohdistus

Kohdista työkalupaleesi sahauslinja laserviivan avulla.

► **Kuva27**

A) Kun haluat saada oikeankokoisen työkalupaleen vasemmalla puolella, siirrä laserviivaa terän vasemmalle puolelle.

B) Kun haluat saada oikeankokoisen työkalupaleen oikealla puolella, siirrä laserviivaa terän oikealle puolelle.

HUOMAA: Käytä puukappaletta ja aseta se ohjauskiskoa vasten kohdistaaessasi sahauslinjaa laserviivalla yhdistelmäsaahauksessa (viistekulma 45° ja jiirikulma oikea 45°).

KOKOONPANO

VAROITUS: Varmista aina, että laite on sammutettu ja irrotettu virtalähteestä, ennen minkään työtoimenpiteen suorittamista laitteen parissa. Jos laitetta ei sammuteta ja irroteta virtalähteestä, seurauksena voi olla vakava henkilövahinko.

Kuusioavaimen varastointi

Säilytä kuusioavainta kuvan osoittamassa paikassa sen katoamisen välttämiseksi.

► **Kuva28:** 1. Kuusioavain

Sahanterän irrotus ja kiinnitys

VAROITUS: Varmista aina ennen terän kiinnittämistä ja irrottamista, että laite on sammutettu ja irrotettu virtalähteestä. Laitteen käynnistäminen vahingossa saattaa aiheuttaa vakavan henkilövahingon.

VAROITUS: Käytä terän irrottamiseen ja kiinnittämiseen vain mukana toimitettua Makitan kuusioavainta. Jos avainta ei käytetä, seurauksena voi olla vakava vammautuminen terän liiallisen tai riittämättömän kiristyksen takia.

Lukitse alusta aina nostettuun asentoon terän irrotuksen ja kiinnittämisen aikana. Vedä rajoitintappia ja kierrä sitä 90° alustan ollessa nostettuna.

► **Kuva29:** 1. Avattu asento 2. Lukittu asento
3. Rajoitintappi

Terän irrotus

Löysää keskisuojuksen kuusioruuvia käyttämällä kuusioavainta. Nosta teräsuojus ja keskisuojus.

► **Kuva30:** 1. Keskisuojaus 2. Kuusioavain
3. Teräsuojus

Lukitse kara painamalla akselilukkoa ja löysää kuusio-koloruuvia kuusioavaimella. Irrota sitten kuusio-koloruuvi, ulkolaippa ja terä.

► **Kuva31:** 1. Akselilukko 2. Kuusioavain
3. Kuusio-koloruuvi (vasenkätinen)
4. Löysää 5. Kiristä

Terän kiinnitys

Terää asentaessasi aseta se huolellisesti karaan varmistaen, että terän pinnassa olevan nuolen suunta on sama, kuin teräkotelossa olevan nuolen suunta.

► **Kuva32:** 1. Nuoli teräkotelossa 2. Nuoli terässä

Asenna ulkolaippa ja kuusio-koloruuvi. Käännä kuusio-koloruuvia vastapäivään kuusioavaimella painamalla samanaikaisesti akselilukkoa alas.

► **Kuva33:** 1. Kuusio-koloruuvi 2. Ulkolaippa
3. Sahanterä 4. Sisäläippä 5. Kara
6. Rengas

HUOMAUTUS: Jos sisäläippä irrotetaan, varmista, että asennat sen karan päälle niin, että sen uloke osoittaa terästä pois päin. Jos laippa asennetaan väärin, se hankaa laitetta vasten.

Palauta teräsuojus ja keskisuojaus alkuperäiseen asentoonsa. Kiristä sitten kuusioruuvia myötäpäivään keskisuojuksen lukitsemiseksi. Avaa rajoitintappi alustan vapauttamiseksi nostetusta asennosta. Varmista, että teräsuojus liikkuu oikein laskemalla kahva alas. Varmista ennen sahausta, että akselilukko on vapauttanut karan.

VAROITUS: Varmista aina ennen terän asentamista karalle, että sisä- ja ulkolaippojen väliin on asennettu käytettävän terän akselin reikään sopiva rengas. Vääränlaisen renkaan käyttäminen voi aiheuttaa terän virheellisen kiinnityksen, jolloin terä pääsee liikkumaan ja tärisee voimakkaasti, minkä seurauksena voi olla laitehallinnan menetys ja vakava henkilövahinko.

Pölynimurin kytkeminen

Jos haluat suorittaa siistin sahaustyön, liitä laitteeseen Makita-pölynimurin pölysuutin käyttämällä sovitinkappaletta 24 (lisävaruste).

► **Kuva34:** 1. Sovitinkappale 24 2. Letku 3. Pölynimuri

Pölypussi

Pölypussin käytön ansiosta sahaaminen on siistää ja pölyn kerääminen helppoa. Kiinnitä pölypussi irrottamalla pölynpoistoletku laitteesta ja liittämällä pölypussi.

► **Kuva35:** 1. Pölynpoistoletku 2. Pölypussi

Kun pölypussi on täytynyt noin puoliksi, irrota pölypussi koneesta ja vedä suljin irti. Tyhjennä pussin sisältö napauttamalla sitä kevyesti siten, että sisään tarttuneet hiukkaset irtoavat. Näin ne eivät jää haittaamaan tulevaa pölynkeräystä.

► **Kuva36:** 1. Kiinnitin

Työkappaleen kiinnittäminen

VAROITUS: Työkappale pitää aina tukeaa asianmukaisesti käyttämällä oikeanlaista puristinta tai reunalistan rajoittimia. Muutoin seurauksena voi olla vakava henkilövahinko ja laitteen ja/tai työkappaleen vahingoittuminen.

VAROITUS: Kun olet lopettanut sahaamisen, älä nosta terää ylös, ennen kuin se on kokonaan pysähtynyt. Jos terä nostetaan sen vielä pyöriessä, seurauksena voi olla vakava henkilövahinko ja työkappaleen vahingoittuminen.

VAROITUS: Tukijalustaa pidempää työkappaleelta sahattaessa, materiaali pitää tukeaa koko tukijalustan ylittävällä pituudeltaan ja yhtä korkealta kuin jalusta siten, että se pysyy suorassa. Kun tuet työkappaleen asianmukaisesti, vältät terän jumiumisen ja mahdollisen takapotkun, joka voi aiheuttaa vakavan henkilövahingon. Älä luota yksinomaan pystypenkkiin ja/tai vaakapuristimeen työkappaleen kiinnityksessä. Ohuella materiaalilla on taipumus notkia. Tue työkappaletta koko sen pituudessaan välttääksesi terän jumiumisen ja mahdollisen TAKAPOTKUN.

► **Kuva37:** 1. Tuki 2. Kääntölusta

Ohjaukiskot

VAROITUS: Varmista ennen laitteen käyttöä, että yläohjaukisko on kiinnitetty luotettavasti paikalleen.

VAROITUS: Varmista ennen viistesahausta, ettei laitteen mikään osa, varsinkaan terä kosketa ylempiä ja alempia ohjaukiskoja kahvan ollessa laskettuna kokonaan alas tai ylös missä tahansa asennossa tai alustan ollessa siirrettynä ääri-asentoonsa saakka. Jos laite tai terä osuu ohjaukiskoon, seurauksena voi olla takapotku tai materiaalin odottamaton liike, mikä voi aiheuttaa vakavan henkilövahingon.

Käytä yläohjaukiskvoja materiaalin tukemiseen korkeammalle kuin yläohjaukiskot. Aseta yläohjaukisko alajohjaukiskon reikään ja kiristä kiristysruuvi.

- **Kuva38:** 1. Yläohjaukisko 2. Alajohjaukisko
3. Kiristysruuvi 4. Säätöruuvi

HUOMAUTUS: Alajohjaukiskot on kiinnitetty alustaan tehtaalla. Älä poista alajohjaukiskvoja.

HUOMAUTUS: Jos yläohjaukisko on edelleen löysä kiristysruuvin kiristämisen jälkeen, kierrä säätöruuvia välyksen poistamiseksi. Säätöruuvi on säädetty tehtaalla. Sinun ei tarvitse käyttää sitä ellei tarvetta ole.

Voit säilyttää yläohjaukiskvoja pidikkeessä kun niitä ei käytetä. Kiinnitä yläohjaukisko pidikkeeseen kiinnikkeellä.

- **Kuva39:** 1. Pidike 2. Yläohjaukisko 3. Kiinnitin

Pystysuuntainen kappalepuristin

VAROITUS: Työkappale on kiinnitettävä puristimella lujasti kääntöalustaa ja ohjaukiskoa vasten jokaisen toimenpiteen ajaksi. Jos työkappaletta ei kiinnitetä asianmukaisesti ohjaukiskoa vasten, materiaali voi päästä liikkumaan sahauskoneen aikana aiheuttaen terävaurion. Materiaali saattaa myös sinkoutua irti aiheuttaen hallinnan menettämisen, mistä voi seurata vakava henkilövahinko.

- **Kuva40:** 1. Puristimen varsi 2. Puristimen tanko
3. Kiristysruuvi 4. Puristimen nuppi

Pystypuristin on asennettavissa kahteen asentoon alustan vasemmalle tai oikealle puolelle. Työnnä puristimen tanko alustassa olevaan aukkoon.

Sijoita puristimen varsi työkappaleen paksuuden ja muodon mukaan ja lukitse puristimen varsi kiristämällä ruuvia. Jos kiristysruuvi koskettaa alustaa, asenna se puristimen varren toiselle puolelle. Varmista, ettei laitteen mikään osa kosketa puristinta kahvan ollessa laskettuna täysin alas. Jos jokin osa koskettaa puristinta, sijoita puristin uudestaan.

Purista työkappale tukevasti sahausvastetta ja kierospohjaa vasten. Aseta työkappale haluttuun asentoon ja kiinnitä se tukevasti kiristämällä puristimen kiristysnuppi.

HUOMAA: Työkappaleen asettamiseksi nopeasti, kierrä puristimen nuppia 90° vastapäivään, jolloin nuppia voidaan liikuttaa ylös ja alas. Lukitse työkappale paikalleen asetuksen jälkeen kiertämällä puristimen nuppia myötäpäivään.

Vaakapuristin

Lisävaruste

VAROITUS: Käännä puristimen mutteria aina myötäpäivään, kunnes työkappale on kiinnitetty luotettavasti paikalleen. Jos työkappaletta ei kiinnitetä asianmukaisesti, materiaali voi päästä liikkumaan sahauskoneen aikana aiheuttaen terävaurion. Materiaali saattaa myös sinkoutua irti aiheuttaen hallinnan menettämisen, mistä voi seurata vakava henkilövahinko.

VAROITUS: Kiinnitä ohut työkappale, kuten jalkalista ohjaukiskoa vasten aina vaakapuristimen avulla.

HUOMIO: Kun leikkaat 20 mm:n paksuista tai ohuempaa työkappaletta, tue työkappale paikoilleen välikappaletta käyttämällä.

Vaakapuristin on asennettavissa kahteen asentoon alustan vasemmalle tai oikealle puolelle. Kun suoritat 22,5° -asteisia tai suurempia jirisausauksia, asenna vaakapuristin kääntöalustan kääntämissuuntaan nähden vastakkaiselle puolelle.

- **Kuva41:** 1. Puristimen levy 2. Puristimen mutteri
3. Puristimen nuppi

Puristin vapautuu käännettäessä puristimen mutteria vastapäivään, jolloin se liikkuu nopeasti sisään ja ulos. Kiinnitä työkappale työntämällä puristimen nuppia eteenpäin, kunnes puristimen levy koskettaa työkappaletta ja kääntämällä puristimen mutteria myötäpäivään. Kierrä sitten puristimen nuppia myötäpäivään työkappaleen kiinnittämiseksi.

HUOMAA: Vaakapuristimeen voi kiinnittää enintään 228 mm leveän työkappaleen.

Pidikkeet

VAROITUS: Kiinnitä pitkä työkappale aina siten, että se on kääntöalustan yläpinnan kanssa samassa tasossa. Tällä varmistetaan tarkka sahaus ja estetään vaarallinen laitehallinnan menettäminen. Kun tuet työkappaleen asianmukaisesti, vältät terän jumittumisen ja mahdollisen takapotkun, joka voi aiheuttaa vakavan henkilövahingon.

Laitteen molemmilla puolilla on pidikkeet pitkän työkappaleeseen tukemiseksi vaakasuorassa asennossa. Löysää ruuveja ja pidennä pidikkeitä haluttuun pituuteen asti työkappaleen tukemiseksi. Kiristä sitten ruuvit.

- **Kuva42:** 1. Pidike 2. Ruuvi

TYÖSKENTELY

VAROITUS: Varmista ennen kytkimen käyttämistä, että terä ei kosketa työkalpaletta tms. Jos laitteeseen kytketään virta terän koskettaessa työkalpaletta, seurauksena voi olla takapotku ja vakava henkilövahinko.

VAROITUS: Kun olet lopettanut sahaamisen, älä nosta terää ylös, ennen kuin se on kokonaan pysähtynyt. Jos terä nostetaan sen vielä pyöriessä, seurauksena voi olla vakava henkilövahinko ja työkalpaleen vahingoittuminen.

VAROITUS: Älä suorita mitään säätöjä kuten, kahvan, nupin ja vipujen kääntämistä laitteessa terän edelleen pyöriessä. Terän pyörimisen aikana suoritettu säätö voi aiheuttaa vakavan henkilövahingon.

HUOMAUTUS: Varmista ennen käyttöä, että vapautta rajoitintapin ja kahvan ala-asennostaan.

HUOMAUTUS: Älä sovella liikaa painetta kahvaan leikatessa. Liiallinen painaminen voi ylikuormittaa moottoria ja/tai heikentää sahaustehoa. Paina kahvaa vain vain verran kun on tarpeen, jotta sahaus sujuu tasaisesti ilman, että terän nopeus laskee merkittävästi.

HUOMAUTUS: Saha painamalla kahvaa kevyesti alas. Jos kahvaa painetaan voimakkaasti tai sitä painetaan sivusuunnassa, terä saattaa alkaa vänistä jättäen jäljen (sahaus-) työkalpaleeseen ja sahaustuksen tarkkuus voi kärsiä.

HUOMAUTUS: Paina liukusahaamisen aikana alustaa varovaisesti ohjauksiskoa kohti ilman pysäytyksiä. Jos alustan liike pysäytetään sahausajan aikana, työkalpaleeseen jää jälki ja sahaustarkkuus huononee.

Aukkosahaus

VAROITUS: Lukitse aina alustan liukuliike, painosahaamisen yhteydessä. Sahaus ilman riittävää lukitusruuviin kiristämistä voi aiheuttaa takapotkun, jonka seurauksena voi olla vakava henkilövahinko.

Enintään 92 mm korkeita ja 183 mm leveitä työkalpaletta voidaan sahata seuraavalla tavalla.

► Kuva43: 1. Rajoitintappi

1. Työnnä alusta ohjauksiskoa vasten, kunnes se pysähtyy ja lukitse se rajoitintapilla.
2. Tue työkalpale paikalleen oikeanlaisella ruuvipuristimella.
3. Kytke laite päälle ilman terän kosketusta ja odota, kunnes terä saavuttaa täyden nopeuden ennen sen alentamista.
4. Alenna sitten hellävaraisesti kahvaa täysin alennettuun asentoon työkalpaleen sahaamista varten.
5. Kun leikkaus on valmis, kytke laite pois päältä ja odota, kunnes terä on täysin pysähtynyt ennen kuin nostat terän täysin kohotettuun asentoonsa.

Liukusahaus (työntö) (leveiden työkalpaleiden sahaus)

VAROITUS: Vedä työntösaahausta tehdessäsi kuljetin aina ensin kokonaan itseesi päin ja paina kahva kokonaan alas. Työnnä kuljetin sitten kohti sahausvastetta. **ÄLÄ KOSKAAN ALOITA SAHAUSTA, ELLEI KELKKA OLE KOKONAAN VEDETTYNÄ ITSEESI PÄIN.** Jos työntösaahaat ilman, että kuljetin on vedetty kokonaan itseesi päin, seurauksena voi olla odottamaton takapotku, mikä voi aiheuttaa vakavan henkilövahingon.

VAROITUS: Älä koskaan sahaa vetämällä kelkkaa itseesi päin. Jos vedät kuljetinta sahattaessa itseesi päin, seurauksena voi olla odottamaton takapotku, mikä voi aiheuttaa vakavan henkilövahingon.

VAROITUS: Älä koskaan työntösaaha, kun kahva on lukittu ala-asentoon.

► Kuva44: 1. Rajoitintappi

1. Löysää rajoitintappia niin, että alusta pääsee liukumaan vapaasti.
2. Tue työkalpale paikalleen oikeanlaisella ruuvipuristimella.
3. Vedä kuljetin kokonaan itseesi päin.
4. Käynnistä kone ilman, että terä osuu mihinkään, ja odota, että terä on saavuttanut täyden nopeuden.
5. Paina kahva alas ja **työnnä kuljetinta kohti sahausvastetta työkalpaleen läpi.**
6. Kun leikkaus on valmis, kytke laite pois päältä ja odota, kunnes terä on täysin pysähtynyt ennen kuin nostat terän täysin kohotettuun asentoonsa.

Jiirisahaus

Katso aiempaa kohtaa "Jiirikulman säätäminen".

Kallistussahaus

VAROITUS: Kun olet asettanut terän viistesahausta varten, varmista, että alusta ja terä liikkuvat vapaasti koko sahauspituudella ennen laitteen käyttöä. Jos alusta tai terän liike pysähtyy sahaamisen aikana, seurauksena voi olla takapotku ja vakava henkilövahinko.

VAROITUS: Pidä kätesi poissa terän tieltä viistesahaamisen aikana. Terän kulma saattaa sahattaessa aiheuttaa terän liikeradan virhearvioinnin, mistä seuraa vakava henkilövahinko.

VAROITUS: Terän saa nostaa vasta, kun se on täysin pysähtynyt. Irti sahattu kappale saattaa painua terää vasten viistesahaamisen aikana. Jos terää nostetaan sen pyöriessä, sahattu kappale saattaa sinkoutua irti terästä ja aiheuttaa materiaalin rikkoutumisen ja sen seurauksena vakavan henkilövahingon.

HUOMAUTUS: Kun painat alas kahvaa, käytä painetta rinnakkain terän kanssa. Sahaustarkkuus heikkenee, jos voima kohdistetaan kohtisuorasti kääntöalustaan tai jos paineine suuntaa muutetaan sahauskes aikana.

► **Kuva45**

1. Irrota yläohjauskisko siltä puolelta, mille alusta kallistetaan.
2. Vapauta rajoitintappi.
3. Säädä viistekulma luvun "Kallistuskulman säätäminen" mukaisesti. Kiristä sitten nappi.
4. Kiinnitä työkappale puristimella.
5. Vedä kuljetin kokonaan itseesi päin.
6. Käynnistä kone ilman, että terä osuu mihinkään, ja odota, että terä on saavuttanut täyden nopeuden.
7. Paina sitten varovasti sahanterä täysin ala-asennon terän suuntaisesti ja **työnnä terää sahausvasetta kohti työkappaleen leikkaamiseksi.**
8. Kun leikkaus on valmis, kytke laite pois päältä ja odota, kunnes terä on täysin pysähtynyt ennen kuin nostat terän täysin kohotettuun asentoonsa.

Yhdistelmäsahaus

Yhdistetyssä sahausessa työkappaleeseen tehdään samanaikaisesti viiste- ja jiirisahausta. Yhdistetty sahaus voidaan tehdä oheisen taulukon osoittamissa kulmissa.

Jiirikulma	Kallistuskulma
Vasen ja oikea 0° - 45°	Vasen ja oikea 0° - 45°

Kun teet yhdistelmäsahausta, katso kohtien "Aukkosahausta", "Liukusausta (työntö)", "Jiirisahausta" ja "Kallistussahausta" ohjeita

Jalkalistojen leikkaaminen

▲HUOMIO: Käytä vaakapuristinta (valinnainen lisävaruste), kun leikkaat jalkalistaa.

▲HUOMIO: Kun leikkaat 20 mm:n paksuista tai ohuempaa työkappaletta, tue työkappale paikoi-
leen välikapppaletta käyttämällä.

Kun leikkaat jalkalistasta 45° jiirikulmaa, kytke rajoitin-
vipu, joka estää teräkoteloa ottamasta kiinni jalkalis-
taan. Se pitää jalkalistan ja teräkotelon erillään toisis-
taan, kun ohjainta työnnetään täysi mitta eteenpäin.
Tarkista jalkalistian sahauskyky TEKNISISTÄ
TIEDOISTA.

- **Kuva46:** 1. Pysäytinvipu 2. Välikapppale
3. Vaakapuristin

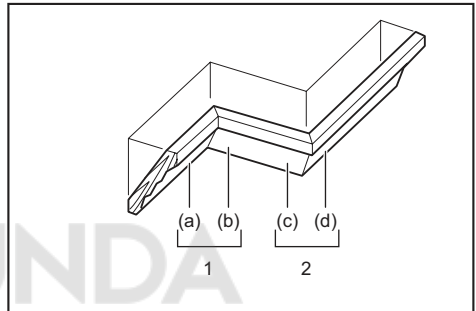
Kruunumallisten ja koverien reunalistojen sahaus

Kruunumalliset ja koverat reunalistat voidaan sahata yhdistelmäjiirisahalla asettamalla listat vaakatasoon kääntölevylle.

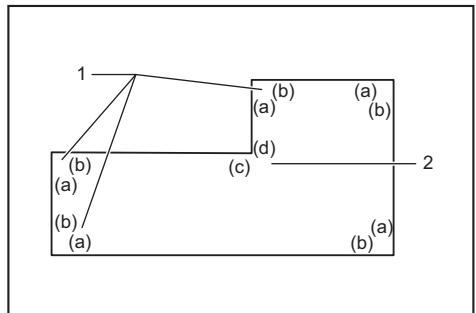
Kruunumallisten reunalistojen yleisesti käytettyjä tyy-
pejä on kaksi ja koverien reunalistojen tyyppiä yksi;
52/38° kruunumallinen seinämäkulma, 45° kruunumalli-
nen seinämäkulma ja 45° kovera seinämäkulma.

- **Kuva47:** 1. 52/38°-tyypin reunalista 2. 45°-tyypin reunalista 3. 45°-tyypin kovera lista

Kruunumalliset ja koverat liitokset, jotka tehdään sopi-
viksi 90°-kulman "sisälle" ((a) (b) kuvassa) tai 90°-kul-
man "ulkopuolelle" ((c) ja (d) kuvassa).



1. Sisäkulma 2. Ulkokulma



1. Sisäkulma 2. Ulkokulma

Mittaus

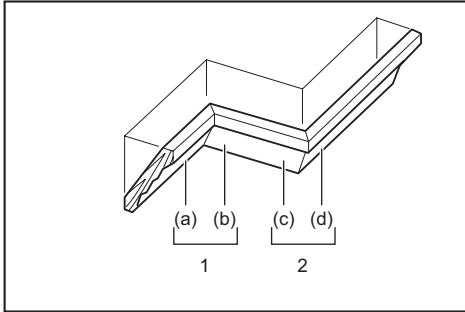
Mittaa seinän leveys ja leveyden säätämiseksi työkap-
paleen sen mukaan. Varmista aina, että työkappaleen
seinän kosketusreunan leveys on sama kuin seinän
pituus.

- **Kuva48:** 1. Työkappale 2. Seinän leveys
3. Työkappaleen leveys 4. Seinän
kosketusreuna

Käytä aina useita testisahausta sahauskulmien
tarkistamiseen.

Aseta kruunumallisia ja koveria reunalistoja sahat-
taessa viistekulma ja jiirisahauskulma taulukon (A)
mukaisesti ja aseta listat sahausalustalle taulukon (B)
mukaisesti.

Kun kyseessä on vasemmanpuoleinen viistesahaus



1. Sisäkulma 2. Ulkokulma

Taulukko (A)

–	Kuvassa reunan muoto-asetto	Kallistuskulma		Jiirikulma	
		52/38°-tyyppi	45°-tyyppi	52/38°-tyyppi	45°-tyyppi
Sisäkulmaan	(a)	Vasen 33,9°	Vasen 30°	Oikea 31,6°	Oikea 35,3°
	(b)			Vasen 31,6°	Vasen 35,3°
Ulkokulmaan	(c)			Oikea 31,6°	Oikea 35,3°
	(d)				

Taulukko (B)

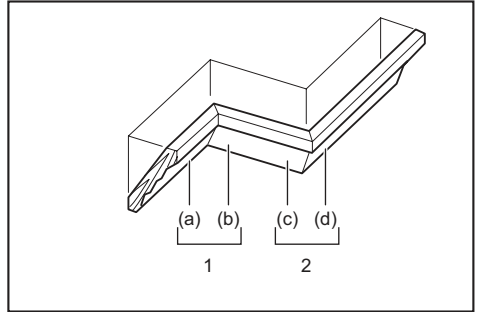
–	Kuvassa reunan muotoasetto	Reunan muoto sahausvastetta vasten	Valmis kappale
Sisäkulmaan	(a)	Katon kosketusreunan tulee olla sahausvastetta vasten.	Valmis kappale tulee terän vasemmalle puolelle.
	(b)	Seinän kosketusreunan tulee olla sahausvastetta vasten.	
Ulkokulmaan	(c)	Katon kosketusreunan tulee olla sahausvastetta vasten.	Valmis kappale tulee terän oikealle puolelle.
	(d)	Seinän kosketusreunan tulee olla sahausvastetta vasten.	

Esimerkki:

Kun kyseessä on 52/38° kruunumallisen reunalistan sahaus asentoon (a) kuvan yllä:

- Kallista ja lukitse kallistuskulma-asetukseksi 33,9° VASEN.
- Säädä ja lukitse jiirisahauskulma-asetukseksi 31,6° OIKEA.
- Aseta kruunulista leveä selkäpuoli (piilossa) alaspäin kääntölevylle siten, että SISÄKATTOA KOSKETTAVA REUNA tulee sahan sahausvastetta vasten.
- Valmis kappale tulee sahausuksen jälkeen aina terän VASEMMALLE puolelle.

Kun kyseessä on oikeanpuoleinen viistesahaus



1. Sisäkulma 2. Ulkokulma

Taulukko (A)

–	Kuvassa reunan muoto-asetto	Kallistuskulma		Jiirikulma	
		52/38°-tyyppi	45°-tyyppi	52/38°-tyyppi	45°-tyyppi
Sisäkulmaan	(a)	Oikea 33,9°	Oikea 30°	Oikea 31,6°	Oikea 35,3°
	(b)			Vasen 31,6°	Vasen 35,3°
Ulkokulmaan	(c)			Oikea 31,6°	Oikea 35,3°
	(d)				

Taulukko (B)

–	Kuvassa reunan muotoasetto	Reunan muoto sahausvastetta vasten	Valmis kappale
Sisäkulmaan	(a)	Seinän kosketusreunan tulee olla ohjauskiskoa vasten.	Valmis kappale tulee terän oikealle puolelle.
	(b)	Katon kosketusreunan tulee olla ohjauskiskoa vasten.	
Ulkokulmaan	(c)	Katon kosketusreunan tulee olla ohjauskiskoa vasten.	Valmis kappale tulee terän vasemmalle puolelle.
	(d)	Seinän kosketusreunan tulee olla ohjauskiskoa vasten.	

Esimerkki:

Kun kyseessä on 52/38° kruunumallisen reunalistan sahaus asentoon (a) kuvan yllä:

- Kallista ja lukitse viistekulma asetus 33,9° OIKEA.
- Säädä ja lukitse jiirisahauskulma-asetukseksi 31,6° OIKEA.
- Aseta reunalista leveä selkäpuoli (piilossa) alaspäin kääntöalustalle niin, että SEINÄÄ KOSKETTAVA REUNA tulee ohjauskiskoa vasten.
- Valmis kappale tulee sahausuksen jälkeen aina terän OIKEALLE puolelle.

Reunalistan rajoitin

Lisävaruste

Reunalistan rajoittimet helpottavat reunalistojen sahausta, koska sahanterää ei tarvitse kallistaa. Asenna ne kääntöalustalle kuvassa esitetyllä tavalla.

45° jiirisahauskulmassa oikealle

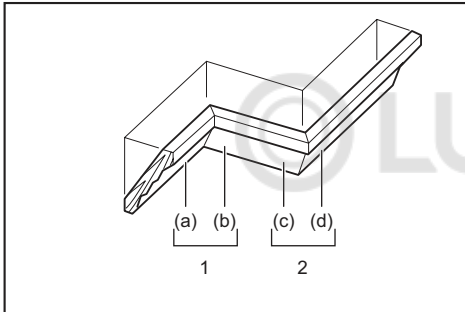
► **Kuva49:** 1. Reunalistan rajoitin V 2. Reunalistan rajoitin O 3. Kääntöalusta 4. Ohjauskisko

45° jiirisahauskulmassa vasemmalle

► **Kuva50:** 1. Reunalistan rajoitin V 2. Reunalistan rajoitin O 3. Kääntöalusta 4. Ohjauskisko

Aseta reunalista siten, että sen SEINÄÄ KOSKETTAVA REUNA tulee ohjauskiskoa vasten ja SISÄKATTOA KOSKETTAVA REUNA reunalistan rajoittimia vasten kuvassa esitetyllä tavalla. Säädä reunalistan rajoittimia reunalistan koon mukaan. Tue reunalistan rajoittimet paikalleen kiristämällä ruuvit. Katso jiirisahauskulma taulukosta (C).

► **Kuva51:** 1. Ohjauskisko 2. Reunalistan rajoitin



1. Sisäkulma 2. Ulkokulma

Taulukko (C)

–	Kuvassa reunan muotoasento	Jiirikulma	Valmis kappale
Sisäkulmaan	(a)	Oikea 45°	Säilytä terän oikea puoli
	(b)	Vasen 45°	Säilytä terän vasen puoli
Ulkokulmaan	(c)		Säilytä terän oikea puoli
	(d)	Oikea 45°	Säilytä terän vasen puoli

Alumiinisten puristetankojen sahaaminen

► **Kuva52:** 1. Ruuvipuristin 2. Välikappale 3. Sahausvaste 4. Alumiininen puristetanko 5. Välikappale

Kun kiinnität alumiinisia puristetankoja, käytä välikkeitä tai jätetaloja kuvan osoittamalla tavalla estääksesi alumiinin vääntymisen. Käytä sahausöljyä sahatessasi alumiinisia puristetankoja ehkäistäksesi alumiinin kertymisen terään.

VAROITUS: Älä koskaan sahaa paksuja tai pyöreitä alumiinitalkoja. Paksua tai pyöreää alumiinitalkkoa voi olla vaikea kiinnittää tukevasti, ja se saattaa irrota kesken sahauskesken, mikä voi aiheuttaa vakavan henkilövahingon.

Sahausvasteen puusovitin

VAROITUS: Käytä ruuveja kiinnittäaksesi puun päällypuusovitea kohti. Ruuvit tulee kiinnittää siten, että ruuvien kannat jäävät puukehyksen pinnan sisään, jotta ne eivät häiritse sahattavan materiaalin asettelua paikalleen. Jos sahattava materiaali ei ole suorassa, se voi liikahtaa odottamattomasti sahaamisen aikana, mistä voi seurata hallinnan menettäminen ja vakava henkilövahinko.

HUOMIO: Käytä suoraa, tasapaksua puuta päällipuukappaleena.

HUOMIO: Käytä ohjainkiskossa päällipuukappaleita, kun sahaat työkappaleita, joiden korkeus on 107 mm – 120 mm. Päällipuukappale nostaa työkappaleen irti ohjainkiskosta, jolloin saha pääsee pureutumaan syvemmälle.

HUOMAUTUS: Kun puusovite on kiinnitetty, älä käännä kierrosposhjaa terän ollessa ala-asennossa. Terä ja/tai puusovite vahingoittuvat.

Päällipuukappaleen käyttö auttaa varmistamaan työkappaleiden repimättömän leikkauksen. Kiinnitä päällipuukappale ohjainkiskoon siinä olevia reikiä ja 6 mm:n ruuveja käyttämällä.

Tarkista päällipuukappaleen suositellut mitat kuvasta.

► **Kuva53:** 1. Reikä 2. Yli 15 mm 3. Yli 270 mm 4. 90 mm 5. 145 mm 6. 19 mm 7. 115 - 120 mm

ESIMERKKI Kun sahaat korkeudeltaan 115–120 mm:n työkappaleita, käytä seuraavanpaksuisia päällipuukappaleita.

Jiirikulma	Päällipuukappaleen paksuus	
	115 mm	120 mm
0°	20 mm	38 mm
Vasen ja oikea 45°	15 mm	25 mm
Vasen ja oikea 60°	15 mm	25 mm

Uran leikkaus

VAROITUS: Älä tee tällaista sahausta leveällä terällä tai dado-terällä. Urasahausten tekeminen leveällä terällä tai dado-terällä saattaa huonontaa sahausjälkeä ja aiheuttaa takapotkun, josta voi seurata vakava henkilövahinko.

VAROITUS: Varmista, että palautat pysäytinvarren alkuperäiseen asentoonsa, kun teet muuta, kuin uran leikkaamisen. Sahaamisen aloittaminen rajoitinvarren ollessa väärässä asennossa voi huonontaa sahausjälkeä ja aiheuttaa takapotkun, josta voi seurata vakava henkilövahinko.

Toimi seuraavasti dado-tyypin sahauksen toteuttamiseksi:

1. Säädä terän alempi raja-asento säätöruuvia käyttäen ja käytä pysäytinvartta terän leikkaussyvyyden rajoittamiseksi. Katso aiempaa kohtaa "Pysäytinvarsi".
2. Terän alemman raja-asennon säätämisen jälkeen, leikkaa rinnakkaiset urat työkappaleen levyttä pitkin liukuleikkausta (työntö) käyttäen kuvan osoittamalla tavalla.
► **Kuva54:** 1. Leikkaa urat terällä
3. Poista sitten työkappaleen materiaali urien välistä taltalla.

Menetelmä suurimman sahauslevyden saavuttamiseksi erikoisvarustein

Työkaluun suurin sahausleveys saavutetaan seuraavasti: Työkaluun suurimmasta sahauslevydestä on lisätietoja TEKNISTEN TIETOJEN kohdassa "Sahauskapasiteetit erikoisleikkauksille".

1. Säädä työkalun jirisauskuulaksi 0° tai 45° ja varmista, että kääntöalusta on lukittu paikalleen. (Lisätietoja on kohdassa "Leikkauskorkeuden säätäminen".)
2. Irrota väliakaisesti sekä vasen että oikea ylempi ohjainkisko ja siirrä ne syrjään.
3. Sahaa alusta oheisen piirustuksen mittojen mukaan 38 mm paksumta tasaisesta materiaalista, esimerkiksi puusta, vanerista tai lastulevystä.
► **Kuva55:** 1. Jirikulma 0°: Yli 450 mm 2. Jirikulma 45°: Yli 325 mm 3. 38 mm 4. Yli 760 mm

VAROITUS: Varmista, että alustana käytävä materiaali on tasaista. Epätasainen materiaali saattaa liikkua kesken sahauksen, mikä voi aiheuttaa takapotkun ja vakavan henkilövahingon.

HUOMAA: Suurin sahauskorkeus pienenee suhteessa käytettävän alustan paksuuteen.

4. Aseta alusta työkaluun siten, että se ulottuu yhtä pitkälle alustan kummallakin puolella. Kiinnitä alusta työkaluun neljällä 6 mm:n puuruuvilla alemmissa ohjainkiskoissa olevan neljän reiän läpi.
► **Kuva56:** 1. Ruuvit (kaksi kummallakin puolen) 2. Alempi ohjainkisko 3. Alusta 4. Alusta

VAROITUS: Varmista, että alusta on suorassa jalustaan nähden ja kiinnitetty tukevasti alempiin ohjainkiskoihin neljän reiän avulla. Jos näin ei ole, alusta saattaa liikkua, mikä voi aiheuttaa takapotkun ja vakavan henkilövahingon.

VAROITUS: Varmista, että työkalu on kiinnitetty tukevasti vakaalle ja tasaiselle pinnalle. Jos näin ei ole, työkalu saattaa käyttäytyä epävakaasti, mikä voi aiheuttaa hallinnan menettämisen ja/tai työkalun putoamisen, mikä puolestaan saattaa aiheuttaa vakavan henkilövahingon.

5. Kiinnitä ylempät ohjainkiskot työkaluun.

VAROITUS: Älä käytä työkalua, ennen kuin ylempät ohjainkiskot on kiinnitetty. Ylempien ohjainkiskojen tehtävänä on tukea sahattavaa työkappaletta.

Jos työkappaletta ei tueta asianmukaisesti, se voi päästä liikkumaan, mikä voi aiheuttaa hallinnan menettämisen, takapotkun ja vakavan henkilövahingon.

6. Aseta sahattava työkappale työkaluun kiinnitettylle alustalle.
7. Tue työkappale ruuvipuristimen avulla tukevasti ylempiä ohjaimia vasten ennen sahaamista.
► **Kuva57:** 1. Ylempi ohjainkisko 2. Pystysuuntainen kappalepuristin 3. Työkappale 4. Alusta
8. Saha hitaasti työkappaleen poikki kohdassa "Liukusahausta (työntö) (leveiden työkappaleiden sahaus)" annettujen ohjeiden mukaisesti.

VAROITUS: Varmista, että työkappale on tuettu ruuvipuristimella paikalleen, ja tee sahaus sitten hitaasti. Jos näin ei tehdä, työkappale voi päästä liikkumaan, mikä voi aiheuttaa takapotkun ja vakavan henkilövahingon.

VAROITUS: Ota huomioon, että alusta voi heikentyä, kun sillä on tehty useita sahausia eri jirikulmissa. Alusta pitää vaihtaa, jos se haurastuu useiden uurosten jäädessä materiaaliin. Jos haurastunutta alustaa ei vaihdeta, työkappale voi päästä liikkumaan kesken sahauksen, mikä voi aiheuttaa takapotkun ja vakavan henkilövahingon.

Koneen kantaminen

Tarkasta ennen laitteen kuljettamista, että se on irrotettu virtalähteestä ja kaikki jirisaahan liikkuvat osat kiinnitetty paikalleen. Tarkasta aina seuraavat asiat:

- Laite on irrotettu virtalähteestä.
- Alusta on 0° viistekulmassa lukittuna.
- Alusta on laskettu alas ja lukittu.
- Alusta on täysin kiinni ohjauskiskossa ja lukittuna.
- Kääntöalusta on oikeassa jirikulmassa ja lukittuna.
- Pidikkeet on säilyssä kiinnitettynä paikalleen.

Kuljeta laitetta niin, että pidät laitepohjan molemmilta puolilta kiinni kuvan osoittamalla tavalla.

► **Kuva58**

VAROITUS: Alustan noston rajoitintapit ovat tarkoitettu ainoastaan kuljetukseen ja varastointiin, eivätkä sahaustoimintoihin. Rajoitintapin käyttäminen sahattaessa saattaa liikuttaa sahanterää odottamattomalla tavalla, mikä voi aiheuttaa takapotkun ja vakavan henkilövahingon.

HUOMIO: Kiinnitä kaikki liikkuvat osat aina ennen laitteen kuljetusta. Jos laitteen osat pääsevät liikkumaan siirtämisen aikana, seurauksena saattaa olla loukkaantuminen horjahtamisen ja tasapainon menettämisen seurauksena.

KUNNOSSAPITO

VAROITUS: Varmista aina ennen tarkastuksia ja huoltotöitä, että laite on sammutettu ja irrotettu virtalähteestä. Jos laitetta ei sammuteta ja irroteta virtalähteestä, se voi käynnistyä vahingossa ja aiheuttaa vakavan henkilövahingon.

VAROITUS: Varmista aina, että terä on terävä ja puhdas, jotta työskentely sujuisi mahdollisimman hyvin ja turvallisesti. Sahaaminen tylsällä ja/ tai likaisella terällä saattaa aiheuttaa takapotkun ja vakavan henkilövahingon.

HUOMAUTUS: Älä koskaan käytä bensiiniä, ohenteita, alkoholia tai tms. aineita. Muutoin pinta voi halkeilla tai sen värit ja muoto voivat muuttua. Muutoin laitteeseen voi tulla värjäytymiä, muodon vääristymiä tai halkeamia.

Sahauskulman säätäminen

Työkalu on huolellisesti asennettu ja kohdistettu tehtaalla, mutta kova käsittely on saattanut vaikuttaa kohdistukseen. Jos työkaluasi ei ole asianmukaisesti kohdistettu, tee seuraavat toimenpiteet:

Jiirikulma

Laske kahva täysin alas ja lukitse se ala-asentoonsa rajoitintappia käyttämällä. Työnnä alusta ohjauskiskoa vasten. Löysää kahva ja osoittimen ja jiirikulma-asteikon kiinnitysruuvit.

► **Kuva59:** 1. Osoittimen ruuvi 2. Jiirikulma-asteikon ruuvit 3. Jiirikulma-asteikko

Aseta kääntöalusta asentoon 0° käyttämällä tarkkaa pysäytystoimintoa. Aseta teränreuna kulmaan ohjauskiskon kanssa kolmioviivaimella tai nelökulmalla. Pidä sitä kulmassa ja kiristä ruuvit jiirikulman asteikossa. Kohdista tämän jälkeen osoittimet (vasen ja oikea) 0° asennon kanssa jiirikulman asteikossa ja kiristä osoittimen ruuvi.

► **Kuva60:** 1. Kolmioviivain

Kallistuskulma

0° kallistuskulma

Työnnä alusta ohjauskiskoa vasten ja lukitse sen liuku-liike rajoitintapilla. Laske kahva täysin alas ja lukitse se ala-asentoonsa rajoitintappia käyttämällä ja löysää nuppi tämän jälkeen. Kallista terää oikealle kiertämällä 0° kulman säätöruuvia kaksi tai kolme kierrosta vastapäivään.

► **Kuva61:** 1. 0° säätöruuvi 2. Ruuvi

Tasaa terän syrjä varovasti kääntöalustan yläpinnan kanssa kolmioviivaimen, vastekulmakon tms. avulla kääntämällä 0° kulman säätöruuvia myötäpäivään. Tämän jälkeen kiristä nuppi luotettavasti asettamaasi 0° asteen kulmaan.

► **Kuva62:** 1. Kolmioviivain 2. Sahanterä 3. Kääntöalustan yläpinta

Tarkasta uudestaan terän kulma kääntöpöydän pinnan kanssa. Löysää osoittimen ruuvi. Kohdista osoitin 0° asennon kanssa viistekulman asteikolla ja kiristä ruuvi.

45° kallistuskulma

HUOMAUTUS: Ennen 45° viistekulman säätämistä, säädä ensin 0° viistekulma.

Löysää nuppia ja kallista alusta täysin haluamallesi tarkastettavalle puolelle. Tarkasta, näyttääkö osoitin 45° kulmaa viistekulma-asteikolla.

► **Kuva63**

Jos osoitin ei näytä 45° kulmaa, kohdista se 45° kulmassa kiertämällä säätöruuvia viistekulma-asteikolla päinvastaiseen suuntaan.

► **Kuva64:** 1. Vasen 45° säätöruuvi 2. Oikea 45° säätöruuvi

Laserviivan säätö

Vain malli LS1219L

VAROITUS: Laite on liitettävä virtalähteeseen laserviivan säätämisen aikana. Noudata varovaisuutta, ettet käynnistä laitetta säädön aikana. Laitteen käynnistäminen vahingossa saattaa aiheuttaa vakavan henkilövahingon.

HUOMIO: Älä koskaan katso suoraan lasersäteeseen. Lasersäteen osuminen suoraan silmiin voi aiheuttaa vakavan silmävamman.

HUOMAUTUS: Tarkista laserviivan suunta säännöllisesti tarkkuuden varmistamiseksi.

HUOMAUTUS: Älä altista laitetta iskulle.

Laitteeseen kohdistuvat iskut saattavat siirtää laserviivaa tai vaurioittaa laseria ja lyhentää sen käyttöikää.

HUOMAUTUS: Korjauta kaikki laitteen laseryksikön viat Makitan valtuutetussa huoltopisteessä.

Laserviivan liikekantama määritetään kantaman säätöruuveilla molemmilla puolilla. Suorita seuraavat toimenpiteet laserviivan muuttamiseksi.

1. Irrota laite virtalähteestä.
2. Piirrä sahauslinja työkappaleeseen ja sijoita se kääntöalustan päälle. Tässä vaiheessa, älä kiinnitä työkappaletta puristimella tai vastaavalla kiinnityslaitteella.
3. Laske kahva alas ja kohdista sahauslinja sahanterän kanssa.
4. Palauta kahva sen alkuasentoonsa ja kiinnitä työkappale pystypuristimella niin, että työkappale ei liiku määrittelemästäsi asennosta.
5. Liitä laite virtalähteeseen ja käynnistä laserkytkin.
6. Löysää säätöruuvia. Siirrä laserviiva kauemmaksi terästä kiertämällä kantaman säätöruuveja vastapäivään. Siirrä laserviiva lähemmäksi terää kiertämällä kantaman säätöruuveja myötäpäivään.

Laserviivan säätäminen terän vasemmalle puolelle

► **Kuva65:** 1. Säätöruuvi 2. Kantaman säätöruuvi 3. Kuusioavain 4. Laserviiva 5. Sahanterä

Laserviivan säätäminen terän oikealle puolelle

► **Kuva66:** 1. Säätöruuvi 2. Kantaman säätöruuvi 3. Kuusioavain 4. Laserviiva 5. Sahanterä

7. Siirrä säätöruuvia siihen kohtaan, missä laserviiva on sahauslinjan päällä ja kiristä säätöruuvi.

HUOMAA: Laserin liikekantama on säädetty tehtaalla 1 mm puitteissa terän sivupinnasta.

Laservalon linssin puhdistaminen

Vain malli **LS1219L**

Laservalo heikkenee sen linssien ollessa likaiset. Puhdista laservalon linssit säännöllisesti.

► **Kuva67:** 1. Ruuvi 2. Linssit

Irrota laite virtalähteestä. Löysää ruuvia ja vedä linssit irti. Puhdista linssit varovaisesti kostealla liinalla.

HUOMAUTUS: Älä irrota linssien kiinnitysruuvia. Jos linssit eivät irtoa, löysää ruuvia vasta nyt.

HUOMAUTUS: Älä käytä liuottimia tai öljypohjaisia puhdistusaineita linssien puhdistamiseen.

Hiiliharjojen vaihtaminen

► **Kuva68:** 1. Rajamerkki

Irrota ja tarkista hiiliharjat säännöllisesti. Vaihda uusiin, kun ne ovat kuluneet rajamerkkiin saakka. Pidä hiiliharjat puhtaina ja varmista, että ne pääsevät liukumaan vapaasti pidikkeissään. Molemmat hiiliharjat on vaihdettava yhtä aikaa. Käytä vain samanlaisia hiiliharjoja. Käytä ruuvimeisseliä harjanpidikkeen korkkien poistamiseen. Vedä pois kuluneet hiiliharjat, aseta uudet sisään ja kiinnitä harjanpidikkeen korkit.

► **Kuva69:** 1. Harjanpidikkeen korkki

Kun harjat on vaihdettu, liitä laite virtalähteeseen ja sisäänajaja harjat käyttämällä laitetta kuormittamattomana noin 10 minuutin ajan. Tarkista sitten laitteen toiminta sen käydessä. Tarkista myös, että sähköjarru toimii, kun liipaisinkytkin vapautetaan. Jos sähköjarru ei toimi, korjauta laite Makitan valtuuttamassa huoltopisteessä.

Käytön jälkeen

Käytön jälkeen pyyhi työkaluun liimautuneet lastut ja pöly pois kankaalla tai vastaavalla. Pidä teränsuojus puhtaana aikaisemmin käsitellyssä "Teränsuojus" osassa mainittujen ohjeiden mukaan. Voitele liukuosat koneöljyllä ruostumisen ehkäisemiseksi.

Tuotteen TURVALLISUUDEN ja LUOTETTAVUUDEN takaamiseksi korjaukset, muut huoltotyöt ja säädöt on teetettävä Makitan valtuutetussa huoltopisteessä Makitan varaosia käyttäen.

LISÄVARUSTEET

VAROITUS: Nämä Makita-lisävarusteet tai -laitteet on tarkoitettu käytettäväksi tässä ohjekirjassa mainitun Makita-laitteen kanssa. Muiden lisävarusteiden tai -laitteiden käyttäminen voi aiheuttaa vakavan henkilövahingon.

VAROITUS: Käytä Makita-lisävarustetta tai -laitetta vain sen ilmoitettuun käyttötarkoitukseen. Lisävarusteen tai laitteen väärä tai virheellinen käyttö voi aiheuttaa vakavan henkilövahingon.

Jos tarvitset apua tai yksityiskohtaisempia tietoja seuraavista lisävarusteista, ota yhteys paikalliseen Makitan huoltoon.

- Teräs- ja kovametalliteräiset sahanterät
- Pystysuuntainen kappalepuristin
- Vaakapuristin
- Reunalistan rajoitinsarja
- Pölypusseri
- Kolmioviivain
- Kuusioavain
- Kuusioavain (mallille LS1219L)

HUOMAA: Jotkin luettelossa mainitut varusteet voivat sisältyä työkalun toimitukseen vakiovarusteina. Ne voivat vaihdella maittain.

SPECIFIKĀCIJAS

Modelis:		LS1219	LS1219L
Asmens diametrs		305 mm	
Atveres diametrs	Eiropas valstis	30 mm	
	Valstis ārpus Eiropas	25,4 mm	
Zāģa asmens iezāģējuma maks. biezums		3,2 mm	
Maks. zāģēšanas leņķis		Pa labi 60°, pa kreisi 60°	
Maks. slīpais leņķis		Pa labi 48°, pa kreisi 48°	
Ātrums bez slodzes (apgr./min)		3 200 min ⁻¹	
Lāzera veids		-	Sarkanais lāzers 650 nm, maksimālā izejas jauda < 1,6 mW (lāzera klase 2M)
Izmēri (G x P x A)		898 mm x 664 mm x 725 mm	
Neto svars		29,3 kg	29,5 kg
Drošības klase		□/II	

Zāģēšanas jauda (A x P)

Zāģēšanas leņķis			Slīpleņķa zāģēšana		
			45° (pa kreisi)	0°	45° (pa labi)
0°	-	-	61 mm x 382 mm 71 mm x 363 mm	92 mm x 382 mm 107 mm x 363 mm	44 mm x 382 mm 54 mm x 363 mm
	Finierējuma biežums uz vadotnes ierobežotāja palielināta augstuma materiāla zāģēšanai	20 mm	78 mm x 325 mm	115 mm x 325 mm	61 mm x 325 mm
38 mm		80 mm x 292 mm	120 mm x 292 mm	-	
45° (pa labi un pa kreisi)	-	-	61 mm x 268 mm 71 mm x 255 mm	92 mm x 268 mm 107 mm x 255 mm	44 mm x 268 mm 54 mm x 255 mm
	Finierējuma biežums uz vadotnes ierobežotāja palielināta augstuma materiāla zāģēšanai	15 mm	-	115 mm x 227 mm	-
		25 mm	-	120 mm x 212 mm	-
60° (pa labi un pa kreisi)	-	-	-	92 mm x 185 mm 107 mm x 178 mm	-
	Finierējuma biežums uz vadotnes ierobežotāja palielināta augstuma materiāla zāģēšanai	15 mm	-	115 mm x 155 mm	-
		25 mm	-	120 mm x 140 mm	-

Zāģēšanas jauda speciāliem zāģēšanas veidiem

Zāģēšanas veids	Zāģēšanas jauda
Griestu cokols 45° leņķī (izmantojot griestu cokola aiztura kloķi)	203 mm
Grīdlīste (izmantojot horizontālās skrūvspīles)	171 mm

- Nepārtrauktās izpētes un izstrādes programmas dēļ šeit uzrādītās specifikācijas var tikt mainītas bez brīdinājuma.
- Atkarībā no valsts specifikācijas var atšķirties.
- Svārs atbilstīgi EPTA procedūrai 01/2014

Simboli

Zemāk ir attēloti simboli, kas attiecas uz iekārtu. Pirms darbarīka izmantošanas pārliecinieties, vai pareizi izprotat to nozīmi.



Izlasiet lietošanas rokasgrāmatu.



DIVKĀRŠĀ IZOLĀCIJA



Lai izvairītos no atlecošiem gruziem, turpiniet turēt zāga augšdaļu uz leju līdz asmens ir pilnībā apstājies.



Veicot slīdes zāģēšanu, vispirms pavelciet rāmi līdz galam un nospiediet rokturi, pēc tam bīdīet rāmi virzošās barjeras virzienā.



Neturiet roku vai pirkstus asmens tuvumā.



Nekādā gadījumā neskatieties lāzera starā. Tiešs lāzera stars var ievainot acis.



Tikai ES valstīm
Neizmetiet elektriskās iekārtas kopā ar mājturības atkritumiem! Saskaņā ar Eiropas direktīvu par lietotajām elektroiekārtām un elektronikas iekārtām un tās iekļaušanu valsts likumdošanā lietotais elektriskais aprīkojums jāsavāc atsevišķi un jānogādā atreizējai pārstrādei vidi saudzējošā veidā.

Paredzētā lietošana

Šis darbarīks ir paredzēts precīziem taisniem un slīpiem iegriezumiem kokā. Ar piemērotiem zāga asmeņiem iespējams zāģēt arī alumīniju.

Barošana

Darbarīks jāpievieno tikai tādām barošanas avotam, kura spriegums atbilst uz darbarīka tehnisko datu plāksnītes norādītajam, un darbarīku var izmantot tikai ar vienfāzes maiņstrāvas barošanu. Darbarīks aprīkots ar divkāršo izolāciju, tādēļ to var izmantot arī, pievienojot kontaktligzdai bez iezemējuma vada.

Trokšņa līmenis

Tipiskais A svērtais trokšņa līmenis noteikts saskaņā ar EN62841:

Modelis LS1219

Skaņas spiediena līmeni (L_{pA}): 91 dB (A)

Skaņas jaudas līmeni (L_{WA}): 100 dB (A)

Mainīgums (K): 3 dB (A)

Modelis LS1219L

Skaņas spiediena līmeni (L_{pA}): 91 dB (A)

Skaņas jaudas līmeni (L_{WA}): 100 dB (A)

Mainīgums (K): 3 dB (A)

BRĪDINĀJUMS: Lietojiet ausu aizsargus.

Vibrācija

Vibrācijas kopējā vērtība (trīsasu vektora summa) noteikta atbilstoši EN62841:

Modelis LS1219

Vibrācijas izmete (a_h): 2,5 m/s² vai mazāk

Mainīgums (K): 1,5 m/s²

Modelis LS1219L

Vibrācijas izmete (a_h): 2,5 m/s² vai mazāk

Mainīgums (K): 1,5 m/s²

PIEZĪME: Paziņotā vibrācijas emisijas vērtība noteikta atbilstoši standarta pārbaudes metodei un to var izmantot, lai salīdzinātu vienu darbarīku ar citu.

PIEZĪME: Paziņoto vibrācijas emisijas vērtību arī var izmantot iedarbības sākotnējā novērtējumā.

BRĪDINĀJUMS: Reāli lietojot elektrisko darbarīku, vibrācijas emisija var atšķirties no paziņotās emisijas vērtības atkarībā no darbarīka izmantošanas veida.

BRĪDINĀJUMS: Lai aizsargātu lietotāju, nosakiet drošības pasākumus, kas pamatoti ar iedarbību reālos darba apstākļos (ņemot vērā visus ekspluatācijas cikla posmus, piemēram, laiku, kamēr darbarīks ir izslēgts un kad darbojas tukšgaitā, kā arī palaides laiku).

EK atbilstības deklarācija

Tikai Eiropas valstīm

EK atbilstības deklarācija šajā lietošanas rokasgrāmatā ir iekļauta kā A pielikums.

DROŠĪBAS BRĪDINĀJUMI

Vispārīgi elektrisko darbarīku drošības brīdinājumi

BRĪDINĀJUMS: Izlasiet visus drošības brīdinājumus, instrukcijas, apskatiet ilustrācijas un tehniskos datus, kas iekļauti mehanizētā darbarīka komplektācijā. Ja netiek ievēroti visi tālāk minētie noteikumi, var tikt izraisīta elektrotrauma, notikt aizdegšanās un/vai rasties smagas traumas.

Glabājiet visus brīdinājumus un norādījumus, lai varētu tajos ieskatīties turpmāk.

Termins „elektrisks darbarīks” brīdinājumos attiecas uz tādu elektrisko darbarīku, ko darbina ar elektrību (ar vadu), vai tādu, ko darbina ar akumulatoru (bez vada).

Drošības norādījumi leņķzāģiem

- Leņķzāģi paredzēti koka vai kokam līdzīgu materiālu zāģēšanai, un tos nevar izmantot ar abrazīvajām griešanas ripām, lai grieztu metāla izstrādājumus, piemēram, sijas, stiepus, skrūves u. tml. Abrazīvie putekļi izraisa kustīgo daļu, piemēram, apakšējā aizsarga, iestrēgšanu. Dzirksteles, kas rodas, griežot ar abrazīvo ripu, aizdedzinās apakšējo aizsargu, iezāģēšanas plātni un citas plastmasas daļas.**
 - Kad iespējams, apstrādājamo materiāla atbalstam izmantojiet skavas. Atbalstot apstrādājamo materiālu ar plaukstu, turiet plaukstu vismaz 100 mm attālumā no abām zāģa asmeņiem pusēm. Neizmantojiet šo zāģi, lai zāģētu detaļas, kuras nelielā izmēra dēļ nav iespējams droši fiksēt ar skavām vai turēt ar plaukstu. Turot plaukstu pārāk tuvu zāģa asmeņim, var pieskarties asmeņim un ievainot plaukstu.**
 - Apstrādājamajam materiālam jābūt nekustīgam un fiksētam ar skavām vai piespiestam pie ierobežotāja vai galda. Nekādā gadījumā neviziet apstrādājamo materiālu pret asmeni un nezāģējiet ar „brīvu roku”. Liels ātrums var aizsviest nefiksētus vai kustīgus apstrādājamus materiālus, tādējādi radot ievainojumus.**
 - Spiediet zāģi caur apstrādājamo materiālu. Nevelciet zāģi caur apstrādājamo materiālu. Lai veiktu griezumus, paceliet zāģa galvu un nezāģējot velciet to pār apstrādājamo materiālu, iedarbiniet motoru, nospiediet zāģa galvu leļup un spiediet zāģi caur apstrādājamo materiālu. Velkot zāģa asmeņus var iznākt apstrādājamā materiāla virspusē un ar spēku atgrūst asmeņus mezgla operatora virzienā.**
 - Nekādā gadījumā nelieciet plaukstu ne uz paredzētās zāģēšanas līnijas, ne arī zāģa asmeņus priekšā vai aizmugurē. Apstrādājamo materiālu fiksējot ar sakrustotām rokām, t. i., ar kreiso roku turot apstrādājamo materiālu zāģa asmeņus labajā pusē vai otrādi, var radīt ļoti bīstamu situāciju.**
- **Att.1**
- Asmeņiem griežoties, nesniedzieties ar rokām aiz ierobežotāja tuvāk par 100 mm katrā zāģa asmeņus pusē, lai notīrītu koka atgriezumus vai veiktu citas darbības. Jūs nevarēsiet novērtēt attālumu no rotējošā zāģa asmeņiem līdz rokai un varat smagi savainoties.**
 - Pirms zāģēšanas pārbaudiet apstrādājamo materiālu. Ja apstrādājamais materiāls ir izliekts vai sameties, iespējējiet to, novietojot uz ārpusi izliekto virsmu pret ierobežotāju. Vienmēr pārliecinieties, ka starp apstrādājamo materiālu, ierobežotāju un galdu gar griezumuma līniju nav spraugas. Izliekti vai sametušies apstrādājamo materiāli var pagriezties vai pabīdīties, tādējādi zāģēšanas laikā iekļūstot zāģa asmeņi. Apstrādājamajā materiālā nedrīkst būt naglas vai citi svešķermeņi.**
 - Pirms zāģēšanas noņemiet no galda visus instrumentus, koka atgriezumus u. tml., atstājiet tikai apstrādājamo materiālu. Rotējošais asmeņš var aizķert sīkus grūžus vai koka gabalus un citus priekšmetus un aizsviest tos ar lielu ātrumu.**
 - Vienlaikus zāģējiet tikai vienu apstrādājamo materiālu. Vairākas citu citam uzkrautus apstrādājamus materiālus nevar droši fiksēt ar skavām vai atbalstīt, un zāģēšanas laikā tajos var iestrēgt asmeņš vai tie var pabīdīties.**
 - Pirms lietošanas montējiet vai novietojiet leņķzāģi uz horizontālas, stabilas darba virsmas. Horizontāla, stabila darba virma samazina leņķzāģa nestabilitātes risku.**
 - Plānojiet darba gaitu. Katru reizi, mainot slīpenķa vai leņķa iestatījumu, iestatiet pareizi regulējamo ierobežotāju, lai tas atbalstītu apstrādājamo materiālu un nepieskartos asmeņim vai aizsargsistēmai. Neieslēdzot darbarīku „ON” režīmā un nenovietojot uz galda apstrādājamo materiālu, virziet zāģa asmeni, modelējot paredzēto griezumus, lai nodrošinātu, ka nenotiks saskare vai neiezāģēsiet ierobežotājā.**
 - Zāģējot apstrādājamo materiālu, kas ir plātāks vai garāks par galda virsmu, izmantojiet piemērotu paliktni, piemēram, galda pagarinātāju, kokzāģēšanas steķi u. tml. Nepietiekami atbalstīti apstrādājamo materiāli, kas garāki vai plātāki par leņķzāģa galda virsmu, var nokrist. Nozāģētais gabals vai apstrādājamais materiāls krītot var pacelt apakšējo aizsargu vai rotējošais asmeņš to var aizsviest.**
 - Galda pagarinājumam vai papildu atbalstam neizmantojiet cita cilvēka palīdzību. Nestabila apstrādājamā materiāla pamatne zāģēšanas procesā var izraisīt asmeņus iekļūšanos vai apstrādājamā materiāla pārbīdi, uzstūmtoju jūsu palīgu uz rotējošā zāģa asmeņus.**
 - Nozāģēto gabalu nekādā gadījumā nedrīkst iekļīt rotējošā zāģa asmeņi vai tam piespiest. Piespiests nozāģētais gabals, t. i., izmantojot piebīdņus, var iestrēgt pie asmeņiem, kas to var spēcīgi aizsviest.**
 - Vienmēr izmantojiet skavas vai stiprinājumu, kas paredzēti apaļu materiālu, piemēram, stieņu vai cauruļu, pareizai balstīšanai. Zāģēšanas procesā stieņi var rīpot, asmeņi iecirsties stieņi un ievilkst materiālu ar jūsu roku pret asmeni.**
 - Pirms pieskaršanās apstrādājamajam materiālam ar zāģi ļaujiet asmeņiem griezties ar maksimālo ātrumu. Tādējādi samazināsies apstrādājamā materiāla aizmešanas risks.**
 - Ja apstrādājamais materiāls vai asmeņi iestrēdzis, izslēdziet leņķzāģi. Nogaidiet, līdz visas kustīgās daļas apstājas, atvienojiet spraudni no strāvas avota un/vai izņemiet akumulatora bloku. Pēc tam atbrīvojiet iestrēgušo materiālu. Turpinot zāģēt, ja apstrādājamo materiāls ir iestrēdzis, leņķzāģis var kļūt nevadāms vai sabojāties.**

18. Pēc griezuma pabeigšanas un pirms nozāģētā gabala noņemšanas, atļaidiet slēdzi, turiet zāģa galvu leju un nogaidiet, līdz asmens apstājas. Pieskaroties pēc inercas rotējoša asmens tuvumā, var rasties bīstama situācija.
19. Veicot nepilnīgu griezumu vai atļaidot slēdzi pirms zāģa galva ir nolaista pavisam, turiet rokturi stingri. Zāģa bremzēšanas kustība var piepeši paraut leju zāģa galvu, tādējādi radot savainošanās risku.
20. Izmantojiet zāģa asmeņus tikai ar tādu diametru, kāds norādīts uz darbarīka vai rokasgrāmatā. Izmantojot nepareiza izmēra asmeni, var tikt ietekmēta asmens pienācīga aizsardzība vai aizsarga darbība, un tas var izraisīt smagas traumas.
21. Izmantojiet tikai tādus zāģa asmeņus, kas ir marķēti ar ātrumu, kas ir tāds pats vai lielāks kā uz darbarīka norādītais ātrums.
22. Neizmantojiet zāģi, lai zāģētu materiālus, kas nav koks, alumīnijs vai līdzīgi materiāli.
23. (Tikai Eiropas valstīm)
Vienmēr izmantojiet asmeni, kas atbilst standartam EN847-1.

Papildu norādījumi

1. Ar piekaramo slēdzeni nodrošiniet, lai darbnīcā neiekļūtu bērni.
2. Nekādā gadījumā nestāviet uz darbarīka. Darbarīkam krītot vai nejauši iedarbinot griešanas instrumentu, var gūt smagus ievainojumus.
3. Nekad neatstājiet darbarīku ieslēgtu bez uzraudzības. Izslēdziet strāvas padevi. Neatstājiet darbarīku bez uzraudzības, kamēr tā darbība nav pavisam apstājusies.
4. Nelietojiet zāģi, ja aizsargi nav uzlikti. Pirms katras lietošanas reizes pārbaudiet, vai asmens aizsargs aizveras pareizi. Nelietojiet zāģi, ja asmens aizsargs nevirzās brīvi un nekavējoties neaizveras. Nekad neiespīļējiet un nepiesieniet asmens aizsargu atvērtā stāvoklī.
5. Turiet rokas drošā attālumā no zāģa asmens ceļa. Neskarieties pie asmens, kas griežas pēc inercas. Tas vēl joprojām var izraisīt smagu ievainojumu.
6. Lai samazinātu ievainojumu risku, pēc katras šķēršeniskās zāģēšanas reizes atvelciet slīdrāmi atpakaļ līdz galam.
7. Pirms darbarīka nešanas vienmēr nostipriniet visas kustīgās daļas.
8. Sprūdta, kas griezējgalvu fiksē leju, ir paredzēta tikai pārnēsāšanai un uzglabāšanai, nevis zāģēšanai.
9. Pirms darba veikšanas rūpīgi pārbaudiet, vai asmenim nav plaisu vai bojājumu. Ieplaisājušu vai bojātu asmeni nekavējoties nomainiet. Ja uz asmeņiem pielipuši sveķi un koka darva, zāģa darbība kļūst lēnāka un atsitiena risks palielinās. Raugieties, lai asmens būtu tīrs, vispirms to noņemot nost no darbarīka, tad notīrot ar sveķu un darvas tīrītāju, karstu ūdeni vai petroleju. Asmens tīrīšanai nekādā gadījumā neizmantojiet benzīnu.
10. Veicot slīdes zāģēšanu, var rasties **ATSITIENS**. **ATSITIENS** rodas, ja, veicot griezumu, asmens iecerētas apstrādājamajā materiālā un zāģa asmens tiek strauji pagriezts pret operatoru. Zāģis var kļūt nevadāms un radīt smagus ievainojumus. Ja, veicot griezumu, asmens sāk ieķerties, nekavējoties pārtrauciet zāģēšanu un atļaidiet slēdzi.
11. Izmantojiet tikai šim darbarīkam paredzētus atlokus.
12. Uzmaniēties, lai nesabojātu asi, atlokus (jo īpaši uzstādīšanas virsmu) vai skrūvi. Ja šīs daļas ir bojātas, asmens var salūzt.
13. Pārlicinieties, vai pagriežamā pamatne ir pareizi nostiprināta un darba laikā nekustēsies. Lai piestiprinātu zāģi uz stabilas darba pamatnes vai sola, izmantojiet caurumus zāģa pamatnē. **NEKAD** neizmantojiet darbarīku, ja operatoram nav ērta darba pozīcija.
14. Pirms slēdža ieslēgšanas pārlicinieties, vai vārpstas bloķētājs ir atlaists.
15. Pārlicinieties, vai zemākajā stāvoklī asmens nesaskaras ar pagriežamo pamatni.
16. Rokturi turiet stingri. Ņemiet vērā, ka zāģis, sākot darbu un apstājoties, nedaudz pavirzās augšup vai leju.
17. Pirms slēdža ieslēgšanas pārlicinieties, ka asmens nepieskaras apstrādājamajam materiālam.
18. Pirms darbarīka lietošanas materiāla apstrādei, nedaudz padarbiniet to bez slodzes. Pievārsiet uzmanību vibrācijai vai svārstībām, jo tas var liecināt par nepareizu uzstādīšanu vai slikti līdzsvarotu asmeni.
19. Nekavējoties pārtrauciet darbu, ja ievērojat novirzes.
20. Nebloķējiet mēlīti ieslēgtā stāvoklī „ON”.
21. Vienmēr izmantojiet piederumus, kas ieteikti šajā rokasgrāmatā. Izmantojot nepiemērotus piederumus, piemēram, abrazīvo ripu, var savainoties.
22. Daži materiāli satur ķīmiskas vielas, kas var būt toksiskas. Izvairieties no putekļu ieelpošanas un to nokļūšanas uz ādas. Ievērojiet materiāla piegādātāja drošības datus.

Papildu drošības noteikumi lāzera izmantošanai

1. **LĀZERA RADIĀCIJA. NESKATIETIES UZ LĀZERA STARU VAI NEAPLŪKOJĒT TO AR OPTISKU INSTRUMENTU PALĪDZĪBU. 2M KLASES LĀZERA IZSTRĀDĀJUMS.**

SAGLABĀJIET ŠOS NORĀDĪJUMUS.

▲BRĪDINĀJUMS: NEPIEĻAUJIET to, ka labu iemaņu vai izstrādājuma labas pārzināšanas (darbarīku atkārtoti ekspluatējot) rezultātā vairs stingri neievērojāt šī izstrādājuma drošības noteikumus. **NEPAREIZI LIETOJOT** darbarīku vai neievērojot šajā instrukciju rokasgrāmatā minētos drošības noteikumus, var tikt gūtas smagas traumas.

DETAĻU APRAKSTS

► Att.2

1.	Slīdbalsts	2.	Sprūdtapa (roktura bīdīšanai)	3.	Vertikālās skrūvspīles	4.	Atlaišanas poga (kreisās puses slīpleņķim)
5.	Turētājs	6.	Pagriežamā pamatne	7.	Rādītājs (zāģēšanas leņķim)	8.	Zāģēšanas leņķa skala
9.	Iezāģēšanas plātne	10.	Asmens korpuss	11.	Regulēšanas skrūve (lāzera līnijai)	12.	Diapazona regulēšanas skrūve (lāzera līnijai)
13.	Asmens aizsargs	14.	Kloķis (slīpleņķim)	15.	Sešstūru uzgriežnatslēga	16.	Regulēšanas skrūve (zemākai robežatīmei)
17.	Regulēšanas bultskrūve (maksimālai zāģēšanas jaudai)	18.	Aiztura kloķis	19.	Bloķēšanas svira (pagriežamai pamatnei)	20.	Atbloķēšanas svira (pagriežamai pamatnei)
21.	Rokturis (pagriežamai pamatnei)	-	-	-	-	-	-

► Att.3

1.	Slēdža mēlīte	2.	Bloķēšanas poga	3.	Piekaramās slēdzenes atvere	4.	Slēdzis (lāzera līnijai)
5.	Šļūtene (putekļu nosūkšanai)	6.	Sprūdtapa (roktura pacelšanai)	7.	Vadotnes ierobežotājs (apakšējais ierobežotājs)	8.	Vadotnes ierobežotājs (augšējais ierobežotājs)
9.	Putekļu maiss	10.	0° regulēšanas bultskrūve (slīpleņķim)	11.	Slīpleņķa skala	12.	Atbloķēšanas svira (48° slīpleņķim)
13.	Slēgsvira (slīpleņķim)	14.	Rādītājs (slīpleņķim)	15.	45° regulēšanas bultskrūve (slīpleņķim)	-	-

UZSTĀDĪŠANA

Roktura uzstādīšana

Ieskrūvējiet roktura vītņvārpstu pagriežamajā pamatnē.

► **Att.4:** 1. Rokturis 2. Pagriežamā pamatne

Putekļu savācēja šļūtenes uzstādīšana

Pievienojiet darbarīkam putekļu savācēja šļūteni, kā parādīts attēlā.

Pārliecinieties, ka lokveida savienojums un uzdeva pareizi pieguļ darbarīka pievienošanas vietām.

► **Att.5:** 1. Putekļu savācēja šļūtene 2. Lokveida savienojums 3. Uzdeva 4. Pievienošanas vieta

Galda uzstādīšana

Darbarīku piegādājot, rokturis ar aiztura tapu ir bloķēts nolaistā stāvoklī. Lēni nolaižot rokturi, pavelciet aiztura tapu un pagrieziet to pa 90°.

► **Att.6:** 1. Bloķēts stāvoklis 2. Atbloķēts stāvoklis 3. Aiztura tapa

Šis darbarīks jāpieskrūvē ar četrām skrūvēm, izmantojot tām paredzētās atveres darbarīka pamatnē, uz līmeniskas un stabilas virsmas. Tādējādi tas nenokrītīs un neradīs traumu.

► **Att.7:** 1. Skrūve

▲BRĪDINĀJUMS: Nodrošiniet, lai darbarīks uz atbalsta virsmas nekustas. Leņķzāģim izkustoties uz atbalsta virsmas zāģēšanas laikā, leņķzāģis var kļūt nevadāms un radīt smagus ievainojumus.

FUNKCIJU APRAKSTS

▲BRĪDINĀJUMS: Pirms darbarīka regulēšanas vai darbības pārbaudes vienmēr pārliecinieties, ka darbarīks ir izslēgts un atvienots no strāvas avota. Ja darbarīku neizslēdz un neatvieno no strāvas avota, tam nejausī iestādīties, var izraisīt nopietnus ievainojumus.

Asmens aizsargs

► **Att.8:** 1. Asmens aizsargs

Nolaižot zemāk rokturi, asmens aizsargs pacelsies automātiski. Aizsargs ir nospiégots ar atspēri tā, ka tas atgriežas sākuma stāvoklī, kad zāģēšana ir pabeigta un rokturis ir pacelts.

▲BRĪDINĀJUMS: Nekad neizjauciet un nenemiet asmens aizsargu vai atspēri, kas piestiprināta aizsargam. Nenosegts asmens pēc aizsarga noņemšanas var izraisīt nopietnus ievainojumus ekspluatācijas laikā.

Savas drošības labad vienmēr raugieties, lai asmens aizsargs būtu labā stāvoklī. Jebkura asmens aizsarga nepareiza darbība jālabo nekavējoties. Pārbaudiet, vai aizsarga atspēres nospiégojuma darbība ir pareiza.

▲BRĪDINĀJUMS: Nekad neizmantojiet darbarīku, ja asmens aizsargs vai atspēre ir bojāta, darbojas nepareizi vai ir noņemta. Izmantojot darbarīku ar bojātu, nepareizi darbojošos vai noņemtu atspēri, var izraisīt nopietnus ievainojumus.

Ja caurspīdīgais asmens aizsargs kļūst netīrs vai pielipušu zāģskaidu dēļ asmens un/vai apstrādājama materiāls ir ar grūtībām saskatāms, atvienojiet zāģi no strāvas avota un ar mitru lupatu rūpīgi notīriet aizsargu. Tīrot plastmasas aizsargu, neizmantojiet šķīdinātājus vai tīrītājus uz naftas produktu bāzes, jo tas var bojāt aizsargu.

Ja asmens aizsargs ir īpaši netīrs un redzamība caur to ir pasliktināta, atvienojiet darbarīku no strāvas avota, ar komplektā esošo uzgriežņatslēgu izskrūvējiet sešstūrgalvas bultskrūvi, ar ko piestiprināts centrālais aizsargs. Izskrūvējiet sešstūrgalvas bultskrūvi, griežot to pretēji pulksteņrādītāju kustības virzienam, paceliet asmens aizsargu un centrālo aizsargu. Kad asmens aizsargs ir šādi novietots, tīrīšanu iespējams veikt labāk un efektīvāk. Kad tīrīšana ir pabeigta, rīkojieties pretēji iepriekš aprakstītajai procedūrai un ieskrūvējiet bultskrūvi. Nenemiet atspēri, ar ko piestiprināts asmens aizsargs. Ja aizsargs laika gaitā vai ultravioletā starojuma iedarbībā zaudē krāsu, sazinieties ar „Makita” apkopes centru, lai iegādātos jaunu aizsargu. NEIZJAUCIET UN NENOŅEMIET AIZSARGU.

► **Att.9:** 1. Centrālais apvalks 2. Sešstūru uzgriežņatslēga 3. Asmens aizsargs

Iezāģēšanas plātnes

Šā darbarīka pagriežamajā pamatnē ir iezāģēšanas plātnes, lai zāģējuma beigās nesabojātu materiālu. Iezāģēšanas plātnes rūpnīcā ir noregulētas tā, lai zāģa asmens tām nepieskartos. Pirms lietošanas iezāģēšanas plātnes noregulējiet tālāk minētajā veidā:

► **Att.10:** 1. Iezāģēšanas plātne

► **Att.11:** 1. Kreisās puses slīpleņķa zāģēšana
2. Taisna zāģēšana 3. Labās puses slīpleņķa zāģēšana 4. Zāģa asmens
5. Asmens zobš 6. Iezāģēšanas plātne

Vispirms atvienojiet darbarīku no elektrotīkla. Izskrūvējiet visas skrūves (pa 2 kreisajā un labajā pusē), kas fikšē iezāģēšanas plātnes, līdz iezāģēšanas plātnes vēl var viegli pabīdīt ar roku. Nolaidiet rokturi lejup līdz galam, pavelciet un pagrieziet aizmura tapu, lai bloķētu rokturi zemākajā stāvoklī. Atbrīvojiet aizmura tapu uz slīdbalsta un virzienā pret sevi pavelciet pārnēsājamo rokturi līdz galam. Noregulējiet iezāģēšanas plātnes tā, lai tās saskartos tikai ar asmens zobu malām. Pivelciet priekšējās skrūves (neskrūvējiet tās cieši). Bīdīet atbalstu vadotnes ierobežotāja virzienā līdz galam un noregulējiet iezāģēšanas plātnes tā, lai tās saskartos tikai ar asmens zobu malām. Pivelciet aizmugures skrūves (neskrūvējiet tās cieši).

Pēc iezāģēšanas plātņu noregulēšanas atļaidiet aizmura tapu un paceliet rokturi. Pēc tam pivelciet visas skrūves līdz galam.

IEVĒRĪBAI: Pēc slīpuma leņķa iestatīšanas, pārbaudiet, vai iezāģēšanas plātnes ir pareizi noregulētas. Iezāģēšanas plātņu pareiza noregulēšana palīdz nodrošināt pareizu apstrādājamā materiāla atbalstu, samazinot apstrādājamā materiāla norāvumu.

Maksimālās zāģēšanas jaudas saglabāšana

Šis darbarīks ir rūpnīcā noregulēts tā, lai nodrošinātu maksimālo zāģēšanas diapazonu 305 mm zāģa asmenim.

Uzstādot jaunu asmeni, vienmēr pārbaudiet tā zemāko robežatzīmes stāvokli un, ja nepieciešams, noregulējiet to tālāk norādītajā veidā:

Vispirms atvienojiet darbarīku no elektrotīkla. Pagrieziet aizmura sviru bloķētā stāvoklī.

► **Att.12:** 1. Aizmura svira

Bīdīet pārnēsājamo rokturi vadotnes ierobežotāja virzienā līdz galam un pavisam nolaidiet rokturi lejup. Noregulējiet asmens pozīciju, pagriežot regulēšanas bultskrūvi ar sešstūru uzgriežņatslēgu. Asmens ārējai malai nedaudz jāsniedzas aiz pagriežamās pamatnes augšējās virsmas, kā arī jāsniedzas līdz vietai, kur vadotnes ierobežotāja priekšpuse pieskaras pagriežamās pamatnes augšējai virsmai.

► **Att.13:** 1. Regulēšanas bultskrūve

► **Att.14:** 1. Pagriežamās pamatnes augšējā virsma 2. Asmens perifērija 3. Vadotnes ierobežotājs

Kad darbarīks ir atvienots no elektrotīkla, ar roku pagrieziet asmeni līdz galam lejup, turot rokturi, lai pārliecinātos par to, vai asmens nepieskaras apakšējai pamatnei. Ja nepieciešams, nedaudz pārregulējiet. Pēc noregulēšanas vienmēr novietojiet aizmura sviru tās sākotnējā stāvoklī.

▲BRĪDINĀJUMS: Pēc jauna asmens uzstādīšanas vienmēr pārbaudiet, vai asmens nepieskaras nevienai apakšējās pamatnes daļai, kad rokturis ir pavisam nolaists. Ja asmens pieskaras pamatnei, tas var izraisīt atsitieni un radīt smagus ievainojumus.

Aiztura kloķis

Asmens apakšējās robežas stāvokli iespējams viegli regulēt ar aiztura kloķi. Lai to regulētu, pagrieziet aiztura kloķi bultas virzienā, kā redzams attēlā. Pagrieziet regulēšanas skrūvi tā, lai asmens apstātos vēlamajā stāvoklī, rokturi nolaižot uz leju līdz galam.

► **Att.15:** 1. Aiztura kloķis 2. Regulēšanas skrūve

Leņķa regulēšana

▲UZMANĪBU: Kad zāģēšanas leņķis ir nomainīts, vienmēr nostipriniet pagriežamo pamatni, cieši pievelkot rokturi.

IEVĒRĪBAI: Griežot pagriežamo pamatni, obligāti paceliet rokturi līdz galam.

► **Att.16:** 1. Bloķēšanas svira 2. Rokturis 3. Atbloķēšanas svira 4. Rādītājs

Grieziet kloķi pretēji pulksteņrādītāju kustības virzienam, lai atbloķētu pagriežamo pamatni. Grieziet kloķi, vienlaikus turot leju bloķēšanas sviru, lai pagrieztu pagriežamo pamatni. Pielīdziniet rādītāju vēlamajam leņķim uz skalas, pēc tam pievelciet rokturi.

PIEZĪME: Nospiežot atbloķēšanas sviru, pagriežamo pamatni varat pagriezt, neturot leju bloķēšanas sviru. Kad vajadzīgā pozīcija sasniegta, pievelciet rokturi.

Šim leņķzāģim ir aiztures fiksēšanas funkcija. Varat ātri iestatīt 0°, 15°, 22,5°, 31,6°, 45°, un 60° labo/kreiso slīpo leņķi. Lai izmantotu šo funkciju, pabīdīet pagriežamo pamatni gandrīz līdz vēlamajam aiztures fiksēšanas leņķim, vienlaikus turot leju bloķēšanas sviru. Pēc tam atbrīvojiet bloķēšanas sviru un pagrieziet pagriežamo pamatni uz priekšu, līdz pagriežamā pamatne ir bloķēta.

Slīpā leņķa noregulēšana

IEVĒRĪBAI: Pirms slīpleņķa iestatīšanas vienmēr noņemiet apakšējos vadotnes ierobežotājus un vertikālās skrūvspīles.

IEVĒRĪBAI: Mainot slīpleņķus, pārbaudiet, vai iezāģēšanas plātnes ir novietotas pareizi, kā paskaidrots sadaļā „Iezāģēšanas plātnes”.

IEVĒRĪBAI: Sagāžot zāģa asmeni, obligāti paceļiet rokturi līdz galam.

IEVĒRĪBAI: Nepievelciet rokturi pārāk cieši. Tādējādi var izraisīt slīpleņķa fiksēšanas mehānisma atteici.

1. Kloķi uz slīdbalsta pagrieziet pretēji pulksteņrādītāju kustības virzienam.

► **Att.17:** 1. Kloķis

2. Paveļciet un pagrieziet slēgsviru līdz pozīcijai, kā parādīts attēlā.

► **Att.18:** 1. Slēgsvira

3. Pielīdziniet rādītāju vēlamajam leņķim uz skalas, pagriežot slīdrāmi, pēc tam pievelciet kloķi.

► **Att.19:** 1. Slīpleņķa skala 2. Rādītājs

Lai sagāztu slīdrāmi pa labi, pēc sviras atlaišanas sagāziet slīdrāmi nedaudz pa labi, vienlaikus spiežot leju atbloķēšanas pogu.

► **Att.20:** 1. Atbloķēšanas poga

Zāģējot slīpleņķi, kas lielāks par 45°, pagrieziet slīdrāmi, vienlaikus bīdot sviru darbarīka priekšpusē virzienā. Slīpleņķa zāģēšanu var veikt līdz 48° leņķim.

► **Att.21:** 1. Atbloķēšanas svira

Šim leņķzāģim ir aiztures fiksēšanas funkcija. Varat ātri iestatīt 22,5° un 33,9° leņķi gan pa labi, gan pa kreisi. Iestatiet slēgsviru pozīcijā, kā parādīts, un sagāziet slīdrāmi. Lai mainītu leņķi, paveļciet slēgsviru un sagāziet slīdrāmi.

► **Att.22:** 1. Slēgsvira

▲UZMANĪBU: Pēc slīpleņķa nomainīšanas vienmēr nostipriniet kloķi.

Slīdslēdzis

Lai bloķētu slīdrāmja slīdēšanu, spiediet slīdrāmi vadotnes ierobežotāja virzienā, līdz tas apstājas. Paveļciet aiztura tapu un pagrieziet to pa 90°.

► **Att.23:** 1. Atbloķētais stāvoklis 2. Bloķētais stāvoklis 3. Aiztura tapa

Slēdža darbība

▲BRĪDINĀJUMS: Pirms darbarīka pievienošanas barošanas avotam, vienmēr pārbaudiet, vai slēdža mēlīte darbojas pareizi un pēc atlaišanas atgriežas stāvoklī „OFF” (izslēgts). Nevelciet slēdža mēlīti ar spēku, neiespiežot atbloķēšanas pogu uz iekšu. Tā var sabojāt slēdzi. Lietojot darbarīku, kura slēdzis nedarbojas pareizi, darbarīks var kļūt nevadāms un radīt nopietnas traumas.

▲BRĪDINĀJUMS: NEKĀDĀ GADĪJUMĀ nelietojiet darbarīku, ja nevar pilnībā nospiegt slēdža mēlīti. Darbarīks ar mēlīti, kas nedarbojas pareizi, ir ĻŪTI BĪSTAMS un pirms turpmākas izmantošanas ir jāremontē, pretējā gadījumā var rasties smagas traumas.

▲BRĪDINĀJUMS: NEKAD neizjauciet atbloķēšanas pogu, to neaplīmējiet un citādāk nepārveidojiet. Slēdzis ar izjauktu atbloķēšanas pogu var izraisīt neparedzētu darbību un radīt smagas traumas.

▲BRĪDINĀJUMS: NEKAD nelietojiet darbarīku, ja tas ieslēdzas tikai pēc slēdža mēlītes pavilkšanas un nav jānospiež atbloķēšanas poga. Slēdzis, ko nepieciešams labot, var izraisīt neparedzētu darbību un radīt nopietnus ievainojumus. PIRMS turpmākas ekspluatācijas nododiet darbarīku Makita apkopes centrā, lai to atbilstīgi saremontētu.

► **Att.24:** 1. Slēdža mēlīte 2. Bloķēšanas poga 3. Piekaramās slēdzenes atvere

Lai slēdža mēlītes nepavilkto nejausi, darbarīkam ir bloķēšanas poga. Lai iedarbinātu darbarīku, iespiediet uz iekšu bloķēšanas pogu un paveļciet slēdža mēlīti. Lai apturētu darbarīku, atlaidiet slēdža mēlīti. Slēdža mēlītē ir atvērums, kas paredzēts darbarīka bloķēšanai, ievietojot piekaramo slēdzeni.

▲BRĪDINĀJUMS: Neizmantojiet slēdzeni, kuras kājiņas vai troses diametrs ir mazāks par 6,35 mm. Mazāka kājiņa vai troses var nepareizi bloķēt darbarīku izslēgtā stāvoklī, un neparedzēta darbība var radīt smagus ievainojumus.

Elektroniskā funkcija

Nemainīga ātruma vadība

Darbarīkam ir elektroniska ātruma vadība, kas palīdz uzturēt nemainīgu asmens griešanās ātrumu pat slozdes apstākļos. Nemainīgs asmens griešanās ātrums nodrošina gludu zāģējumu.

Laidenas palaišanas funkcija

Šī funkcija nodrošina darbarīka vienmērīgu iedarbināšanu, ierobežojot iedarbināšanas griezes momentu.

Lāzerstara darbība

Tikai modelim LS1219L

UZMANĪBU: Nekādā gadījumā neskatieties lāzera starā. Tiešs lāzera stars var ievainot acis.

Lai ieslēgtu lāzerstaru, nospiediet slēdža augšējo daļu (1). Lai izslēgtu lāzerstaru, nospiediet slēdža apakšējo daļu (0).

► **Att.25:** 1. Lāzera slēdzis

Lāzera līniju iespējams pārvietot gan uz kreiso, gan labo zāģa asmens pusi, pagriežot regulēšanas skrūvi, kā norādīts.

► **Att.26:** 1. Regulēšanas skrūve

1. Atrskūvējiet regulēšanas skrūvi, griežot to pretēji pulksteņrādītāju kustības virzienam.
2. Kad regulēšanas skrūve ir izskrūvēta, virziet to pa labi vai pa kreisi līdz galam.
3. Cieši pievelciet regulēšanas skrūvi stāvoklī, kurā to vairs nevar pavirzīt.

PIEZĪME: Lāzera līnija ir noregulēta rūpnīcā 1 mm robežās no asmens malas virsmas (zāģēšanas stāvoklī).

PIEZĪME: Ja tiešā saules gaismā lāzera līnija ir blāva un slikti redzama, pārvietojiet darba zonu uz vietu, kurā ir mazāk tiešas saules gaismas.

Lāzera līnijas savietošana

Apstrādājamā materiāla zāģēšanas līnijas savietošana ar lāzera līniju.

► **Att.27**

- A) Ja vēlaties iegūt pareizu izmēru apstrādājamā materiāla kreisajā pusē, pavirziet lāzera līniju asmens kreisajā pusē.
- B) Ja vēlaties iegūt pareizu izmēru apstrādājamā materiāla labajā pusē, pavirziet lāzera līniju asmens labajā pusē.

PIEZĪME: Kombinētas zāģēšanas gadījumā (slīpenķis 45°, un slīpāis lenķis pa labi 45°), savietojot zāģēšanas līniju ar lāzera līniju vadotnes ierobežotāja pusē, pret šo ierobežotāju novietojiet koka finierējumu.

MONTĀŽA

ABRĪDINĀJUMS: Vienmēr pirms darba veikšanas darbarīkam pārliecinieties, vai tas ir izslēgts un atvienots no strāvas avota. Ja darbarīku neizslēdz un neatvieno no strāvas avota, var izraisīt smagus ievainojumus.

Sešstūru uzgriežņu atslēgas uzglabāšana

Kad sešstūrveida uzgriežņu atslēga netiek lietota, glabājiet to, kā parādīts, lai atslēgu nepazaudētu.

► **Att.28:** 1. Sešstūru uzgriežņu atslēga

Zāģa asmens noņemšana un uzstādīšana

ABRĪDINĀJUMS: Pirms asmens uzstādīšanas vai noņemšanas vienmēr pārbaudiet, vai darbarīks ir izslēgts un atvienots no strāvas. Darbarīka neauşa iedarbināšana var izraisīt smagus ievainojumus.

ABRĪDINĀJUMS: Asmeni uzstādiet vai noņemiet tikai ar komplektā pievienoto „Makita” uzgriežņatslēgu. Ja neizmanto uzgriežņatslēgu, bultskrūvi ar sešstūra iedobi var pieskrūvēt pārāk cieši vai nepietiekami un var smagus nopietnus ievainojumus.

Noņemot un uzliekot asmeni, vienmēr bloķējiet slīdrāmi paceltā stāvoklī. Kad slīdrāmis pacelts, pavelciet aizturu tāpu un pagrieziet to pa 90°.

► **Att.29:** 1. Atbloķēts stāvoklis 2. Bloķēts stāvoklis 3. Aiztura tapa

Asmens noņemšana

Ar sešstūru uzgriežņatslēgu izskrūvējiet sešstūrgalvas bultskrūvi, ar ko piestiprināts centrālais apvalks. Paceliet asmens aizsargu un centrālo apvalku.

► **Att.30:** 1. Centrālais apvalks 2. Sešstūru uzgriežņatslēga 3. Asmens aizsargs

Nospiediet vārpstas bloķētāju, lai nobloķētu vārpstu, un ar sešstūru uzgriežņatslēgu izskrūvējiet bultskrūvi ar sešstūrgalvas iedobi. Pēc tam izņemiet bultskrūvi ar sešstūrgalvas iedobi, ārējo atloku un asmeni.

► **Att.31:** 1. Vārpstas bloķētājs 2. Sešstūru uzgriežņatslēga 3. Seššķautņu bultskrūve (ar kreiso vītni) 4. Izskrūvēt 5. Pievilkt

Asmens uzstādīšana

Uzmanīgi uzlieciet asmeni uz vārpstas, pārbaudot, vai bulta uz asmens virsmas ir vērsta tajā pašā virzienā, kur asmens korpusa bulta.

► **Att.32:** 1. Asmens korpusa bulta 2. Asmens bulta

Uzlieciet ārējo atloku un ieskrūvējiet bultskrūvi ar sešstūrgalvas iedobi. Ar sešstūru uzgriežņatslēgu grieziet bultskrūvi ar sešstūrgalvas iedobi pretēji pulksteņrādītāju kustības virzienam, vienlaikus spiežot vārpstas bloķētāju.

► **Att.33:** 1. Bultskrūve ar sešstūrgalvas iedobi
2. Ārējais atloks 3. Zāģa asmens
4. Iekšējais atloks 5. Vārpsta 6. Gredzens

IEVĒRĪBAI: Ja noņemts iekšējais atloks, noteikti uzlieciet to atpakaļ uz vārpstas ar izvīrējumu prom no asmens. Ja atloks ir uzlikts nepareizi, atloks berzēsies pret instrumentu.

Atgrieziet asmens aizsargu un centrālo apvalku to sākotnējā stāvoklī. Pēc tam pulksteņrādītāju kustības virzienā pievelciet sešstūrgalvas bultskrūvi, lai nostiprinātu centrālo apvalku. Atbloķējiet aiztura tapu, lai atbrīvotu sfidrāmi no paceltā stāvokļa. Nolaidiet rokturi, lai pārliecinātos, vai asmens aizsargs virzās pareizi. Pirms zāģēšanas pārbaudiet, vai vārpstas bloķētājs ir vārpstu atbloķējis.

▲BRĪDINĀJUMS: Pirms asmens uzlikšanas uz vārpstas vienmēr pārbaudiet, vai starp iekšējo un ārējo atloku uz izmantojamā asmens vārpstas cauruma ir uzstādīts pareizais gredzens. Nepareiza vārpstas atveres gredzena dēļ asmens var nebūt piestiprināts pareizi un tas var kustēties, radot spēcīgu vibrāciju, un darbarīks darbības procesā var kļūt nevadāms un radīt smagus ievainojumus.

Putekļsūcēja pievienošana

Ja vēlaties tīru zāģējumu, darbarīka putekļsūcēja uzgālim pievienojiet „Makita” putekļsūcēju, izmantojot priekšējās uznavas 24 (papildpiederums).

► **Att.34:** 1. Priekšējās uznavas 24 2. Šļūtene 3. Putekļsūcējs

Putekļu maiss

Lietojot putekļu maisu, zāģēšanas laikā nerodas putekļi, jo tie pavisam vienkārši tiek savākti. Lai pievienotu putekļu maisu, noņemiet darbarīka putekļu savācēja šļūteni un pievienojiet putekļu maisu.

► **Att.35:** 1. Putekļu savācēja šļūtene 2. Putekļu maiss

Kad putekļu maiss ir piepildīts aptuveni līdz pusei, noņemiet to no darbarīka un izspiediet stiprinājumu. Iztukšojiet putekļu maisa saturu, viegli pa to pasitot, lai atdalītu iekšpusē pielipušās daļiņas, kas turpmāk varētu kavēt putekļu savākšanu.

► **Att.36:** 1. Stiprinājums

Apstrādājamā materiāla nostiprināšana

▲BRĪDINĀJUMS: Ļoti svarīgi ir vienmēr pareizi nostiprināt apstrādājamo materiālu ar pareizajām skrūvspīlēm vai griestu cokola aizturiem. Ja to neizdara, iespējams izraisīt smagus ievainojumus un sabojāt darbarīku un/vai apstrādājamo materiālu.

▲BRĪDINĀJUMS: Pēc zāģēšanas nepaceliet asmeni, kamēr tas nav pavisam apstājies. Pēcējot asmeni, kas griežas pēc inercas, var radīt smagus ievainojumus un sabojāt apstrādājamo materiālu.

▲BRĪDINĀJUMS: Zāģējot apstrādājamo materiālu, kas ir garāks par zāģa atbalsta pamatni, materiāls jāatbalsta visā garumā aiz atbalsta pamatnes un tādā pašā augstumā, lai materiāls būtu novietots horizontāli. Pareizs apstrādājamā materiāla atbalsts ļaus novērst asmens iestrēgšanu un iespējamu atsitienu, kas var radīt smagus ievainojumus. Lai nostiprinātu materiālu, neizmantojiet tikai vertikālās un/vai horizontālās skrūvspīles. Plāni materiāli mēdz ieliekties. Nostipriniet apstrādājamo materiālu visā tā garumā, lai asmens neiestrēgtu un lai nerastos ATSITIENS.

► **Att.37:** 1. Atbalsts 2. Pagriežamā pamatne

Vadotnes ierobežotāji

▲BRĪDINĀJUMS: Pirms darbarīka lietošanas pārliecinieties, vai augšējais ierobežotājs ir cieši piestiprināts.

▲BRĪDINĀJUMS: Pirms slīpenča zāģēšanas pārliecinieties, vai neviena darbarīka daļa, jo īpaši asmens, pilnībā nolaizot un paceļot rokturi jebkurā stāvoklī vai virzot atbalstu tā pilnā gājiena diapazonā, nepieskaras augšējam un apakšējam ierobežotājam. Ja darbarīks vai asmens pieskaras ierobežotājam, tas var izraisīt atsitienu vai materiāla negaidītu izkustēšanos un radīt nopietnus ievainojumus.

Izmantojiet augšējos ierobežotājus, lai atbalstītu materiālu, kas ir augstāks par apakšējiem ierobežotājiem. Ievietojiet augšējo ierobežotāju apakšējā ierobežotāja caurumā un pievelciet spīlējuma skrūvi.

► **Att.38:** 1. Augšējais ierobežotājs 2. Apakšējais ierobežotājs 3. Spīlējuma skrūve 4. Regulēšanas skrūve

IEVĒRĪBAI: Apakšējie ierobežotāji rūpnīcā ir piestiprināti pie pamatnes. Nenonemiet apakšējos ierobežotājus.

IEVĒRĪBAI: Ja pēc spīlējuma skrūves pievilšanas augšējais ierobežotājs joprojām ir vaļīgs, pagrieziet regulēšanas skrūvi, lai aizvērtu spraugu. Regulēšanas skrūve ir iestatīta rūpnīcā. Jums tā nav jāizmanto, ja vien tas nav vajadzīgs.

Ja augšējos ierobežotājus neizmantojat, varat tos glabāt uz turētāja. Izmantojiet augšējā ierobežotāja saspraudi, lai fiksētu to uz turētāja.

► **Att.39:** 1. Turētājs 2. Augšējais ierobežotājs 3. Saspraude

Vertikālās skrūvspīles

▲BRĪDINĀJUMS: Eksploatācijas laikā apstrādājamajam materiālam jābūt ar skrūvspīlēm cieši piestiprinātām pie pagriežamās pamatnes un vadotnes ierobežotāja. Ja apstrādājama materiāls nav pareizi nostiprināts pret ierobežotāju, materiāls zāģēšanas laikā var izkustēties, izraisot iespējamu asmens bojājumu un materiāla izmešanu, kā arī zāģa vadības zudumu, kas savukārt var radīt smagus ievainojumus.

► **Att.40:** 1. Skrūvspīļu svira 2. Skrūvspīļu stienis 3. Spīļējuma skrūve 4. Skrūvspīļu kloķis

Vertikālās skrūvspīles iespējams uzstādīt divos stāvokļos – gan kreisajā, gan labajā pamatnes pusē. Ievietojiet skrūvspīļu stieni pamatnes atverē.

Novietojiet skrūvspīļu kloķi atbilstoši apstrādājamā materiāla biezumam un formai un nostipriniet skrūvspīļu kloķi, pieskrūvējot skrūvi. Ja spīļējuma skrūve pieskaras slīdrāmim, ieskrūvējiet to skrūvspīļu sviras pretējā pusē. Pārliecinieties, vai, nolaižot rokturi lejup līdz galam, darbarīks nepieskaras skrūvspīlēm. Ja kāda darbarīka daļa tām pieskaras, mainiet skrūvspīļu stāvokli. Spiediet apstrādājamo materiālu līdzieni uz vadotnes ierobežotāja un pagriežamās pamatnes. Novietojiet apstrādājamo materiālu vēlamajā zāģēšanas stāvoklī un cieši to piestipriniet, pievelkot skrūvspīļu rokturi.

PIEZĪME: Lai ātri novietotu apstrādājamo materiālu, pagriežot skrūvspīļu kloķi pa 90° pulksteņrādītāju kustības virzienā, skrūvspīļu kloķi var pārvietot augšup un lejup. Lai apstrādājamo materiālu pēc novietošanas nostiprinātu, pagriežiet skrūvspīļu kloķi pulksteņrādītāju kustības virzienā.

Horizontālās skrūvspīles

Papildu piederumi

▲BRĪDINĀJUMS: Vienmēr griežiet skrūvspīļu uzgriezni pulksteņrādītāju kustības virzienā, līdz apstrādājama materiāls ir pareizi nostiprināts. Ja apstrādājama materiāls nav pareizi nostiprināts, materiāls zāģēšanas laikā var izkustēties, izraisot iespējamu asmens bojājumu un materiāla izmešanu, kā arī zāģa vadības zudumu, kas savukārt var radīt smagus ievainojumus.

▲BRĪDINĀJUMS: Plānu apstrādājamo materiālu, piemēram, grīdlīstes, zāģējot pret ierobežotāju, vienmēr izmantojiet horizontālās skrūvspīles.

▲UZMANĪBU: Kad zāģējat materiālu, kas plānāks par 20 mm, izmantojiet starplikas klucīti, lai nostiprinātu apstrādājamo materiālu.

Horizontālās skrūvspīles var uzstādīt divos veidos – pamatnes kreisajā vai labajā pusē. Zāģējot 22,5° vai lielākā leņķī, uzstādiel horizontālās skrūvspīles tajā pusē, kas ir pretēji pagriežamās pamatnes pagriešanas virzienam.

► **Att.41:** 1. Skrūvspīļu plāksne 2. Skrūvspīļu uzgrieznis 3. Skrūvspīļu kloķis

Uzsitot skrūvspīļu uzgriezni pretēji pulksteņrādītāju kustības virzienam, skrūvspīles tiek atbrīvotas un strauji pārvietojas iekšā un ārā. Lai satvertu apstrādājamo materiālu, spiediet skrūvspīļu kloķi uz priekšu, līdz skrūvspīļu plāksne pieskaras materiālam, un tad uzsitiet skrūvspīļu uzgriezni pulksteņrādītāju kustības virzienā. Pēc tam, lai nostiprinātu apstrādājamo materiālu, griežiet skrūvspīļu rokturi pulksteņrādītāju kustības virzienā.

PIEZĪME: Apstrādājamā materiāla, ko var nostiprināt ar horizontālajām skrūvspīlēm, maksimālais platumis ir 228 mm.

Turētāji

▲BRĪDINĀJUMS: Vienmēr atbalstiet garu apstrādājamo materiālu tā, lai tas ir vienā līmenī ar pagriežamās pamatnes augšējo virsmu, nodrošinot precīzu griezumu un nepieļaujot bīstamu darbarīka kontroles zudumu. Pareizs apstrādājamā materiāla atbalsts ļaus novērst asmens iestrēgšanu un iespējamu atsitēnu, kas var radīt smagus ievainojumus.

Garu apstrādājamo materiālu horizontālai turēšanai darbarīka abās pusēs ir uzstādīti turētāji. Izskrūvējiet skrūves un izvelciet turētājus apstrādājamā materiāla turēšanai vajadzīgajā garumā. Pēc tam pievelciet skrūves.

► **Att.42:** 1. Turētājs 2. Skrūve

EKSPLOATĀCIJA

▲BRĪDINĀJUMS: Pirms slēdža ieslēgšanas pārbaudiet, vai asmens nepieskaras apstrādājamajam materiālam u. c. Ja darbarīku ieslēdz, kad asmens pieskaras apstrādājamajam materiālam, var izraisīt atsitēnu un radīt smagus ievainojumus.

▲BRĪDINĀJUMS: Pēc zāģēšanas nepaceliet asmeni, kamēr tas nav pilnībā apstājies. Asmens, kas kustas pēc inerces, pacelšana var radīt nopietnus ievainojumus un bojāt apstrādājamo materiālu.

▲BRĪDINĀJUMS: Kamēr asmens griežas, neveiciet regulēšanu, piemēram, negriežiet darbarīka rokturi, kloķi un sviras. Veicot regulēšanu, kamēr asmens griežas, var gūt smagus ievainojumus.

IEVĒRĪBAI: Pirms lietošanas obligāti atbloķējiet aiztura tapu un paceliet rokturi augšup.

IEVĒRĪBAI: Zāgējot nespiediet pārāk daudz uz roktura. Spiežot pārāk stipri, dzinējam var rasties pārslodze un/vai zāgēšanas efektivitāte var mazināties. Spiediet rokturi uz leju tikai tik spēcīgi, cik vajadzīgs, lai zāgētu vienmērīgi, ievērojami nemazinot asmens ātrumu.

IEVĒRĪBAI: Lai zāgētu, uzmanīgi spiediet uz leju rokturi. Ja rokturi spiedīsiet uz leju spēcīgi vai ja spiedīsiet to no sāniem, asmens vibrēs un vairs nevirzīsies pa atzīmēto līniju uz apstrādājamā materiāla (zāga atzīmi), un zāģis vairs nezāgēs precīzi.

IEVĒRĪBAI: Veicot slidošu zāgēšanu, uzmanīgi bīdīet slīdrāmi vadotnes ierobežotāja virzienā, nepārtraucot šo darbību. Ja zāgēšanas laikā pārtrauksiet bīdīt slīdrāmi, apstrādājamā materiāla būs redzamas šīs vietas pēdas un zāģis vairs nezāgēs precīzi.

Zāgēšana ar spiedienu

▲BRĪDINĀJUMS: Veicot zāgēšanu ar spiedienu, vienmēr bloķējiet slīdrāmja slidošo kustību. Zāgējot bez bloķēšanas, var izraisīt iespējamu atsitieni, kas var radīt smagus ievainojumus.

Apstrādājamais materiāls 92 mm augstumā un 183 mm platumā iespējams sazāgēt tālāk minētajā veidā.

► **Att.43:** 1. Aiztura tapa

1. Spiediet slīdrāmi pret vadotnes ierobežotāju, līdz tas apstājas, un bloķējiet to ar aiztura tapu.
2. Ar pareizo skrūvspīļu veidu nostipriniet apstrādājamo materiālu.
4. Ieslēdziet darbarīku, asmenim nesaskaroties ar virsmu, un pirms tā nolaišanas lejup nogaidiet, kamēr asmens darbojas ar pilnu jaudu.
4. Lai zāgētu materiālu, uzmanīgi nolaidiet rokturi līdz zemākajam stāvoklī.
5. Kad zāgēšana pabeigta, izslēdziet darbarīku un **nogaidiet, līdz asmens pilnībā apstāties**, pirms atgriezt to atpakaļ pilnīgi paceltā stāvoklī.

Slidoša zāgēšana (spiešana) (zāgējot platus apstrādājamus materiālus)

▲BRĪDINĀJUMS: Vienmēr, kad tiek veikta slīdes zāgēšana, vispirms pavelciet atbalstu pilnībā pret sevi un pilnībā nospiediet rokturi, tad virziet atbalstu pret vadotni. Nesāciet zāgēšanu, ja atbalsts pilnībā nav pavilkts pret sevi. Ja veicat slīdes zāgēšanu, nepavelkot atbalstu pilnībā pret sevi, var rasties neparedzēts atsitieni un izraisīt nopietnus ievainojumus.

▲BRĪDINĀJUMS: Nekad neveiciet slīdes zāgēšanu, velkot atbalstu pret sevi. Ja zāgēšana laikā atbalstu velk pret sevi, var izraisīt neparedzētu atsitieni, kas var radīt nopietnus ievainojumus.

▲BRĪDINĀJUMS: Nekad neveiciet slīdes zāgēšanu, ja rokturis ir bloķēts zemākajā stāvoklī.

► **Att.44:** 1. Aiztura tapa

1. Pretēji pulksteņrādītāju kustības virzienam atbloķējiet aiztura tapu, lai slīdrāmi varētu brīvi virzīt.
2. Ar pareizo skrūvspīļu veidu nostipriniet apstrādājamo materiālu.
3. Pavelciet atbalstu virzienā pret sevi līdz galam.
4. Ieslēdziet darbarīku, asmenim nesaskaroties ar virsmu, un nogaidiet, kamēr asmens darbojas ar pilnu jaudu.
5. Nospiediet uz leju rokturi un **bīdīet atbalstu vadotnes ierobežotāja virzienā un cauri apstrādājamajam materiālam**.
6. Kad zāgēšana pabeigta, izslēdziet darbarīku un **nogaidiet, līdz asmens pilnībā apstāties**, pirms atgriezt to atpakaļ pilnīgi paceltā stāvoklī.

Zāgēšana leņķī

Skatiet iepriekš sadaļu „Leņķa regulēšana”.

Slīpleņķa zāgēšana

▲BRĪDINĀJUMS: Pēc asmens iestatīšanas slīpleņķa zāgēšanai un pirms darbarīka lietošanas nodrošiniet, lai slīdrāmis un asmens brīvi virzās visā paredzētā zāģējuma diapazonā. Slīdrāmja vai asmens gājiena pārtraukšana zāģēšanas laikā var izraisīt atsitieni un radīt smagus ievainojumus.

▲BRĪDINĀJUMS: Veicot slīpu zāgēšanu, **neturiet rokas asmens ceļā**. Asmens leņķis var lietotājam sniegt citu priekšstatu par asmens īsto ceļu zāģēšanas laikā, un saskare ar asmeni izraisa smagas traumas.

▲BRĪDINĀJUMS: Asmeni nedrīkst pacelt, pirms tas ir pilnībā apstāties. Slīpās zāģēšanas laikā nozāģētais gabals var atrasties pie asmens. Ja paceļ rotējošu asmeni, nozāģēto gabalu asmens var izmest gaisā, sadrumstalojot materiālu, kas var izraisīt nopietnus ievainojumus.

IEVĒRĪBAI: Spiežot rokturi lejup, spiediet paralēli asmenim. Ja spiedīsiet perpendikulāri pagriežamajai pamatnei vai ja zāgējot mainīsiet spiešanas virzieni, zāģis vairs nezāgēs precīzi.

► **Att.45**

1. Izņemiet apakšējo ierobežotāju tajā pusē, uz kuru vēlaties sagāzt slīdrāmi.
2. Atbloķējiet aiztura tapu.
3. Iestatiet slīpleņķi, izpildot darbības, kas izklāstītas sadaļā „Slīpleņķa iestatīšana”. Pēc tam pievelciet kloķi.
4. Ar skrūvspīlēm nostipriniet apstrādājamo materiālu.
5. Pavelciet atbalstu virzienā pret sevi līdz galam.
6. Ieslēdziet darbarīku, asmenim nesaskaroties ar virsmu, un nogaidiet, kamēr asmens darbojas ar pilnu jaudu.
7. Tad uzmanīgi nolaidiet rokturi līdz zemākajam stāvoklim, spiežot paralēli asmenim, un, lai zāģētu apstrādājamo materiālu, bīdīet atbalstu vadotnes ierobežotāja virzienā.
8. Kad zāģēšana pabeigta, izslēdziet darbarīku un nogaidiet, līdz asmens pilnībā apstāties, pirms atgriežat to atpakaļ pilnīgi paceltā stāvoklī.

Kombinētā zāģēšana

Kombinētā zāģēšana ir process, kurā slīpais leņķis uz apstrādājamā materiāla tiek veidots vienlaicīgi ar zāģēšanas leņķi. Kombinēto zāģēšanu iespējams veikt tabulā redzamajā leņķī.

Zāģēšanas leņķis	Slīpais leņķis
Pa kreisi un pa labi 0–45°	Pa kreisi un pa labi 0–45°

Zāģējot kombinēti, skatiet skaidrojumu sadaļā „Zāģēšana ar spiedienu”, „Slīdoša zāģēšana (spiešana)”, „Zāģēšana leņķī” un „Slīpleņķa zāģēšana”.

Grīdlīstu zāģēšana

⚠ UZMANĪBU: Zāģējot grīdlīstes, izmantojiet horizontālās skrūvspīles (papildaprīkojums).

⚠ UZMANĪBU: Kad zāģējat materiālu, kas plānāks par 20 mm, izmantojiet starplikas klucīti, lai nostiprinātu apstrādājamo materiālu.

Zāģējot grīdlīstes 45° leņķī, izmantojiet aiztura sviru, lai asmens korpuss nesaskartos ar grīdlīsti. Šādi tiks nodrošināts vajadzīgais attālums starp grīdlīsti un asmens korpusu, kad slīdrāmis ir pilnībā pavirzīts uz priekšu.

Lai uzzinātu grīdlīstu zāģēšanas parametrus, skatiet TEHNISKOS DATUS.

- **Att.46:** 1. Aiztura svira 2. Starplikas bloks
3. Horizontālās skrūvspīles

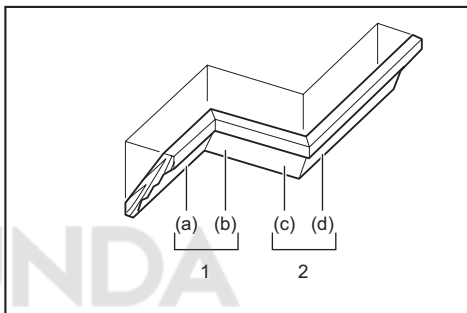
Jostiņu virs dzegas un stūrīstu saduras, kas izgatavotas ar zāģēšanu

Jostiņas virs dzegas un stūrīstes var izzāģēt ar kombinēto leņķzāģi, profilus novietojot plakani uz pagriežamās pamatnes.

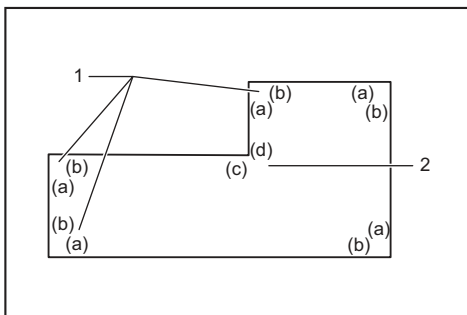
Ir divi standarta jostiņu virs dzegas veidi un viens stūrīstes veids; 52/38° sienas leņķa jostiņa virs dzegas, 45° sienas leņķa jostiņa virs dzegas un 45° sienas leņķa stūrīste.

- **Att.47:** 1. 52/38° tipa jostiņa virs dzegas 2. 45° tipa jostiņa virs dzegas 3. 45° tipa stūrīste

Ir jostiņu virs dzegas un stūrīstu saduras, kas izgatavotas „iekšējiem” 90° stūriem ((a) un (b) attēlā) un „ārējiem” 90° stūriem ((c) un (d) attēlā).



1. Iekšējais stūris 2. Ārējais stūris



1. Iekšējais stūris 2. Ārējais stūris

Mērīšana

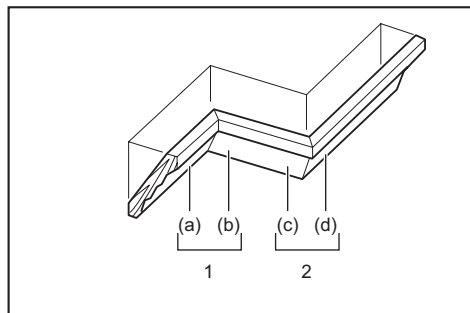
Izmēriet sienas platumu un atbilstoši pielāgojiet tam apstrādājamo materiāla platumu. Vienmēr pārliecinieties, ka apstrādājamā materiāla platumu saskaras ar tā paša garuma sienas malu.

- **Att.48:** 1. Apstrādājamais materiāls 2. Sienas platumu 3. Apstrādājamo materiāla platumu 4. Sienas saskare ar malu

Vienmēr vairākus gabalus izmantojiet pārbaudei, lai pārbaudītu zāģēšanas leņķus.

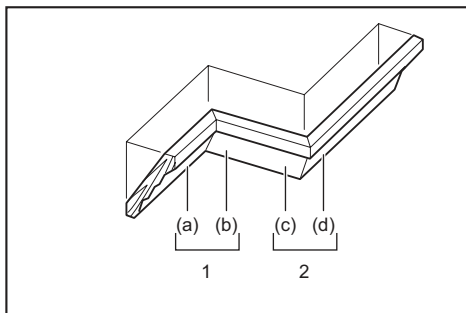
Zāģējot jostiņas virs dzegas un stūrīstes, iestatiet slīpo leņķi un zāģēšanas leņķi, kā norādīts (A) tabulā, un novietojiet profilus uz zāģa pamatnes augšējās virsmas, kā norādīts (B) tabulā.

Veicot kreisās puses slīpo zāģēšanu



1. lekšējais stūris 2. Ārējais stūris

Slīpenļa zāģēšana pa labi



1. lekšējais stūris 2. Ārējais stūris

Tabula (A)

-	Stūrfistes stāvoklis attēlā	Slīpais leņķis		Zāģēšanas leņķis	
		52/38° tips	45° tips	52/38° tips	45° tips
lekšējam stūrim	(a)	Pa kreisi 33,9°	Pa kreisi 30°	Pa labi 31,6°	Pa labi 35,3°
	(b)			Pa kreisi 31,6°	Pa kreisi 35,3°
Ārējam stūrim	(c)			Pa labi 31,6°	Pa labi 35,3°
	(d)			Pa labi 31,6°	Pa labi 35,3°

Tabula (A)

-	Stūrfistes stāvoklis attēlā	Slīpais leņķis		Zāģēšanas leņķis	
		52/38° tips	45° tips	52/38° tips	45° tips
lekšējam stūrim	(a)	Pa labi 33,9°	Pa labi 30°	Pa labi 31,6°	Pa labi 35,3°
	(b)			Pa kreisi 31,6°	Pa kreisi 35,3°
Ārējam stūrim	(c)			Pa labi 31,6°	Pa labi 35,3°
	(d)			Pa labi 31,6°	Pa labi 35,3°

Tabula (B)

-	Stūrfistes stāvoklis attēlā	Stūrfistes mala pret vadotnes ierobežotāju	Sazāģētais materiāls
lekšējam stūrim	(a)	Griestu saskares malai jāatrodas pret vadotnes ierobežotāju.	Sazāģētais materiāls atradīsies asmens kreisajā pusē.
	(b)	Sienas saskares malai jāatrodas pret vadotnes ierobežotāju.	
Ārējam stūrim	(c)	Griestu saskares malai jāatrodas pret vadotnes ierobežotāju.	Sazāģētais materiāls atradīsies asmens labajā pusē.
	(d)	Griestu saskares malai jāatrodas pret vadotnes ierobežotāju.	

Tabula (B)

-	Stūrfistes stāvoklis attēlā	Stūrfistes mala pret vadotnes ierobežotāju	Sazāģētais materiāls
lekšējam stūrim	(a)	Sienas saskares malai jābūt pret vadotnes ierobežotāju.	Sazāģētais materiāls būs asmens labajā pusē.
	(b)	Griestu saskares malai jābūt pret vadotnes ierobežotāju.	
Ārējam stūrim	(c)	Sienas saskares malai jābūt pret vadotnes ierobežotāju.	Sazāģētais materiāls būs asmens kreisajā pusē.
	(d)	Griestu saskares malai jābūt pret vadotnes ierobežotāju.	

Piemērs:

zāģējot 52/38° leņķa jostīnu virs dzegas stāvoklim (a) iepriekšējā attēlā, rīkojieties, kā tālāk norādīts.

- Nolieciet un nostipriniet slīpā leņķa iestatījumu uz 33,9° PA KREISI.
- Noregulējiet un nostipriniet zāģēšanas leņķa iestatījumu uz 31,6° PA LABI.
- Novietojiet jostīnu virs dzegas ar tās plato aizmugures (slēpto) virsmu uz pagriežamās pamatnes un ar GRIESTU MALU pret zāģa vadotnes ierobežotāju.
- Izmantotais sazāģētais materiāls pēc zāģēšanas pabeigšanas vienmēr būs zāģa asmens KREISAJĀ pusē no zāģa asmens.

Piemērs:

zāģējot 52/38° leņķa jostīnu virs dzegas stāvoklim (a) iepriekšējā attēlā, rīkojieties, kā tālāk norādīts.

- Sagāziet un fiksējiet slīpenļa iestatījumu uz 33,9° PA LABI.
- Noregulējiet un nostipriniet zāģēšanas leņķa iestatījumu uz 31,6° PA LABI.
- Novietojiet jostīnu virs dzegas ar tās plato aizmugures (slēpto) virsmu uz pagriežamās pamatnes un ar SIENAS MALU pret zāģa vadotnes ierobežotāju.
- Gatavais materiāls pēc zāģēšanas pabeigšanas vienmēr būs zāģa asmens LABAJĀ pusē.

Griestu cokola aizturis

Papildu piederumi

Griestu cokola aizturi atvieglo griestu cokola zāģēšanu, nesagāžot zāģa asmeni. Uzstādiat tos uz pagriežamās pamatnes, kā parādīts attēlos.

Labais 45° zāģēšanas leņķis

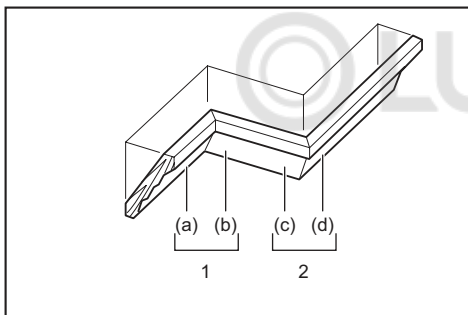
- **Att.49:** 1. Griestu cokola aizturis K 2. Griestu cokola aizturis L 3. Pagriežamā pamatne 4. Vadotnes ierobežotājs

Kreisais 45° zāģēšanas leņķis

- **Att.50:** 1. Griestu cokola aizturis K 2. Griestu cokola aizturis L 3. Pagriežamā pamatne 4. Vadotnes ierobežotājs

Novietojiet jostīnu virs dzegas ar tās SIENAS MALU pret vadotnes ierobežotāju un tās GRIESTU MALU pret jostīnas virs dzegas aizturiem, kā parādīts attēlā. Noregulējiet griestu cokola aizturus atbilstoši griestu cokola izmēram. Pievelciet skrūves, lai nostiprinātu griestu cokola aizturus. Zāģēšanas leņķi skatiet (C) tabulā.

- **Att.51:** 1. Vadotnes ierobežotājs 2. Griestu cokola aizturis



1. Iekšējais stūris 2. Ārējais stūris

Tabula (C)

–	Cokola stāvoklis attēlā	Zāģēšanas leņķis	Gatavais materiāls
Iekšējais stūris	(a)	Pa labi 45°	Zāģēšana asmens labajā pusē
	(b)	Pa kreisi 45°	Zāģēšana asmens kreisajā pusē
Ārējais stūris	(c)		Zāģēšana asmens labajā pusē
	(d)	Pa labi 45°	Zāģēšana asmens kreisajā pusē

Alumīnija profilu zāģēšana

- **Att.52:** 1. Skrūvspīles 2. Starplikas bloks 3. Vadotnes ierobežotājs 4. Alumīnija profils 5. Starplikas bloks

Alumīnija profilu nostiprināšanai izmantojiet starplikas blokus vai atgrīzumu gabalus, kā parādīts attēlā, lai alumīniji netiktu deformēti. Zāģējot alumīnija profilu, izmantojiet zāģēšanas smērvielu, lai uz asmens nenogulsnētos alumīniji.

▲BRĪDINĀJUMS: Nekad nezāģējiet biezus vai apaļus alumīnija profilus. Biezus vai apaļus alumīnija profilus ir grūti nostiprināt, un zāģēšanas laikā tie var kļūt vaļīgi, tādējādi zāģis var kļūt nevadāms un radīt smagus ievainojumus.

Koka finierējums

▲BRĪDINĀJUMS: Koka finierējumu pie vadotnes ierobežotāja pieskrūvējiet ar skrūvēm. Skrūves jāieskrūvē tā, lai skrūvju galviņas atrastos zemāk par koka finierējuma virsmu un netraucētu zāģējamā materiāla novietošanai. Zāģējamā materiāla nepareizs novietojums var izraisīt neparedzētu izkustēšanos zāģēšanas laikā, kas var izraisīt kontroles zudumu un nopietnus ievainojumus.

▲UZMANĪBU: Kā koka finierējumu izmantojiet taisnu un vienmērīga platuma koku.

▲UZMANĪBU: Lai pilnībā pārzāģētu apstrādājamos materiālus, kuru augstums ir no 107 mm līdz 120 mm, pie vadotnes ierobežotāja piestipriniet koka finierējumu. Koka finierējums neļaus apstrādājamajam materiālam saskarties ar ierobežotāju, ļaujot asmenim iegrimt dziļāk.

IEVĒRĪBAI: Kad koka finierējums ir piestiprināts, negriežiet pagriežamo galdū, ja rokturis ir nolaists lejā. Tādējādi sabojāsi asmeni un/vai koka finierējumu.

Izmantojot koka finierējumu, apstrādājamo materiālu iespējams sazāģēt, neradot skabargas. Ar 6 mm skrūvēm pieskrūvējiet koka finierējumu pie vadotnes ierobežotāja, šim nolūkam izmantojot caurumus ierobežotājā. Skatiet zīmējumu par paredzētā koka finierējuma izmēriem.

- **Att.53:** 1. Atvere 2. Vairāk par 15 mm 3. Vairāk par 270 mm 4. 90 mm 5. 145 mm 6. 19 mm 7. 115–120 mm

PIEMĒRS Zāģējot 115 mm un 120 mm augstus apstrādājamos materiālus, izmantojiet tālāk norādītā biezuma koka finierējumu.

Zāģēšanas leņķis	Finierējuma biezums	
	115 mm	120 mm
0°	20 mm	38 mm
45° pa kreisi un pa labi	15 mm	25 mm
60° pa kreisi un pa labi	15 mm	25 mm

Rievu zāģēšana

▲BRĪDINĀJUMS: Nemēģiniet veikt šāda veida zāģēšanu, izmantojot platāku asmeni vai cokolasmeni. Ja gropes zāģēšanu mēģina veikt ar platāku asmeni vai cokolasmeni, tas var radīt neparedzētus zāģēšanas rezultātus un atsitienu, kas var izraisīt nopietnus ievainojumus.

▲BRĪDINĀJUMS: Ja nezāģējat rievu zāģēšanas režīmā, bet kādā citā, obligāti novietojiet aiztura kloķi atpakaļ tā sākotnējā stāvoklī. Ja zāģēšanu mēģina veikt ar sprūda strēli nepareizā stāvoklī, tas var radīt neparedzētus zāģēšanas rezultātus un atsitienu, kas var izraisīt nopietnus ievainojumus.

Lai veiktu cokolveida zāģēšanu, rīkojieties, kā tālāk norādīts:

1. Lai ierobežotu asmens zāģēšanas dziļumu, ar regulēšanas skrūvi un aiztura kloķi noregulējiet asmens apakšējās robežas stāvokli. Skatiet sadaļu „Aiztura kloķis”, kas ir aprakstīta iepriekš.
2. Kad asmens apakšējās robežas stāvoklis noregulēts, zāģējiet paralēlas rievas visa apstrādājamā materiāla platumā, izmantojot zāģēšanas ar virzīšanu (spiešanu) režīmu.
► **Att.54:** 1. Izzāģējiet rievas ar asmeni
3. Izņemiet starp rievām esošos materiāla atgriezumus.

Īpašā maksimālā platuma zāģēšanas tehnika

Maksimālā platuma zāģēšanu ar šo darbarīku var panākt, veicot tālāk norādītās darbības: Maksimālo zāģēšanas platumu šim darbarīkam skatiet sadaļas TEHNISKIE DATI nodaļā „Zāģēšanas jauda speciāliem zāģēšanas veidiem”.

1. Nostipriniet darbarīku 0° vai 45° zāģēšanas leņķī un pārbaudiet, vai pagriežamā pamatne ir nofiksēta. (Skatiet sadaļu „Leņķa regulēšana”.)
2. Uz laiku noņemiet labo un kreiso augšējo ierobežotāju.
3. Izmantojot 38 mm biezu, līdzenu sagatavi, piemēram, kokmateriālus, finieri vai koka skaidu plati, izzāģējiet platformu attēlā norādītajā izmērā.
► **Att.55:** 1. 0° zāģēšanas leņķis: vairāk par 450 mm
2. 45° zāģēšanas leņķis: vairāk par 325 mm
3. 38 mm 4. Vairāk par 760 mm

▲BRĪDINĀJUMS: Par platformu noteikti izmantot līdzenu sagatavi. Nelīdzena sagatave zāģēšanas laikā var izkustēties, iespējams, izraisot atsitienu un nopietnus ievainojumus.

PIEZĪME: Maksimālais zāģēšanas augstums samazinās atbilstīgi platformas biežumam.

4. Novietojiet platformu uz darbarīka tā, lai tā atrodas vienādā attālumā pāri abām darbarīka pamatnes malām. Piestipriniet platformu pie darbarīka ar četrām 6 mm kokskrūvēm, ko ieskrūvē apakšējo ierobežotāju caurumos.

- **Att.56:** 1. Skrūves (divas katrā pusē) 2. Apakšējais ierobežotājs 3. Pamatne 4. Platforma

▲BRĪDINĀJUMS: Platformai jāatrodas līdzieni pret darbarīka pamatni, un tai jābūt cieši piestiprinātai pie apakšējiem ierobežotājiem, izmantojot četrus skrūvju caurumus. Ja platformu cieši nepiestiprina, tā var izkustēties, iespējams, izraisot atsitienu un nopietnus ievainojumus.

▲BRĪDINĀJUMS: Darbarīku noteikti piestipriniet stabilai un līdzenei virsmai. Ja darbarīku uzstāda un piestiprina nepareizi, tas var būt nestabils, tādējādi izraisot kontroles zudumu un/vai darbarīka nokrišanu, kas savukārt var izraisīt nopietnus ievainojumus.

5. Uzstādiet darbarīkam augšējos ierobežotājus.

▲BRĪDINĀJUMS: Neizmantojiet darbarīku, ja nav uzstādīti augšējie ierobežotāji. Augšējie ierobežotāji nodrošina piemērotu atbalstu, kas nepieciešams apstrādājamā materiāla sazāģēšanai. Ja apstrādājama materiāls nav pareizi atbalstīts, tas var izkustēties, izraisot iespējamu kontroles zudumu, atsitienu un nopietnus ievainojumus.

6. Novietojiet zāģējamo materiālu uz platformas, kas piestiprināta darbarīkam.

7. Pirms zāģēšanas ar skrūvspīlēm cieši nostipriniet apstrādājamo materiālu pie augšējiem ierobežotājiem.

- **Att.57:** 1. Augšējais ierobežotājs 2. Vertikālās skrūvspīles 3. Apstrādājama materiāls 4. Platforma

8. Apstrādājamo materiālu zāģējiet lēni atbilstīgi norādēm sadaļā „Slīdoša zāģēšana (spiešana) (zāģējot platus apstrādājamos materiālus)”.

▲BRĪDINĀJUMS: Apstrādājamajam materiālam jābūt piestiprinātam ar skrūvspīlēm, un tas jāzāģē lēnām. Ja tā nedara, apstrādājama materiāls var izkustēties, iespējams, izraisot atsitienu un nopietnus ievainojumus.

▲BRĪDINĀJUMS: Kad platforma izmantota vairākām zāģēšanas reizēm dažādos leņķos, tās izturība var mazināties. Ja platforma kļūst neizturīga, jo tajā vairākas reizes izzāģēts, tā ir jānomaina. Ja neizturīgo platformu nenomaina, tā zāģēšanas laikā var izraisīt apstrādājamā materiāla izkustēšanos, iespējams, izraisot atsitienu un nopietnus ievainojumus.

Darbarīka pārnēsāšana

Pirms pārvietošanas obligāti atvienojiet to no strāvas avota un pārļiecinieties, ka visas leņķzāģa kustīgās daļas ir fiksētas. Vienmēr pārļiecinieties, kas:

- darbarīks ir atvienots no strāvas avota;
- slīdrāmis ir slīdpleņķa 0° pozīcijā un fiksēts;
- slīdrāmis ir nolaists un bloķēts;
- slīdrāmis ir aizbīdīts līdz vadotnes ierobežotājam un bloķēts;
- pagriežamā pamatne ir novietota zāģēšanas leņķa pozīcijā pa labi līdz galam un fiksēta;
- turētāji un novietoti glabāšanai un fiksēti.

Pārnēsājiet darbarīku, turot tā pamatnes abas puses, kā parādīts attēlā.

► **Att.58**

▲BRĪDINĀJUMS: Slīdrāmja pacelšanas aiztura tapa ir paredzēta tikai pārnēsāšanai un uzglabāšanai – tā nav paredzēta zāģēšanai. Izmantojot aiztura tapu zāģēšanas laikā, zāģa asmens var nejauši izkustēties, tādējādi izraisot atsitieni un radot smagus ievainojumus.

▲UZMANĪBU: Pirms darbarīka nešanas vienmēr nostipriniet visas kustīgās daļas. Ja darbarīka daļas pārnēsāšanas laikā izkustās vai izslīd, var rasties kontroles vai līdzsvara zudums un radīt ievainojumus.

APKOPE

▲BRĪDINĀJUMS: Pirms pārbaudes vai apkopes vienmēr pārliecinieties, vai darbarīks ir izslēgts un atvienots no strāvas avota. Ja darbarīku neizslēdz un neatvieno no strāvas avota, darbarīks var nejauši ieslēgties un radīt smagus ievainojumus.

▲BRĪDINĀJUMS: Lai darba rezultāts būtu maksimāli kvalitatīvs un drošs, vienmēr pārbaudiet, vai asmens ir ass un tīrs. Mēģinot zāģēt ar trulu un/ vai netīru asmeni, iespējams izraisīt atsitieni un radīt nopietnus ievainojumus.

IEVĒRĪBAI: Nekad neizmantojiet gāzoliņu, benzīnu, atšķaidītāju, spirtu vai līdzīgus šķidrumus. Tas var radīt izbalēšanu, deformāciju vai plaisas.

Zāģēšanas leņķa noregulēšana

Šis darbarīks ir uzmanīgi noregulēts un savietots rūpnīcā, taču, ja ar to nerīkosieties saudzīgi, tas vairs var nebūt pareizi noregulēts. Ja darbarīks nav pareizi savietots, rīkojieties šādi:

Zāģēšanas leņķis

Nolaidiet rokturi lejup līdz galam un bloķējiet to zemākajā stāvoklī ar aiztura tapu. Spiediet slīdrāmi pret vadotnes ierobežotāju. Atbrīvojiet rokturi un izskrūvējiet skrūves, kas fiksē rādītāju un zāģēšanas leņķa skalas.

► **Att.59:** 1. Pieskrūvējiet rādītāju. 2. Zāģēšanas leņķa skalas skrūves 3. Zāģēšanas leņķa skala

Izmantojot aiztures fiksēšanas funkciju, iestatiet pagriežamo pamatni 0° pozīcijā. Izmantojot trijstūri vai lekālu, savietojiet perpendikulāri asmens sānu ar vadotnes ierobežotāja priekšpusi. Saglabājot perpendikulāro stāvokli, pievelciet zāģēšanas leņķa skalas skrūves. Pēc tam savietojiet rādītājus (gan labo, gan kreiso) ar zāģēšanas leņķa skalas 0° pozīciju un pievelciet rādītāja skrūves.

► **Att.60:** 1. Trijstūris

Slīpais leņķis

0° slīpais leņķis

Spiediet slīdrāmi pret vadotnes ierobežotāju un bloķējiet slīdēšanu ar aiztura tapu. Nolaidiet rokturi lejup līdz galam un bloķējiet to zemākajā stāvoklī ar aiztura tapu, pēc tam atbrīvojiet kloķi. Lai sagāztu asmeni pa labi, 0° regulēšanas bultskrūvi pagrieziet divus vai trīs apgriezienus pretēji pulksteņrādītāju kustības virzienam.

► **Att.61:** 1. 0° regulēšanas bultskrūve 2. Skrūve

Izmantojot trijstūri, lekālu, u. tml., asmens malu rūpīgi novietojiet perpendikulāri pagriežamās pamatnes augšējai virsmai, pagriežot 0° regulēšanas bultskrūvi pulksteņrādītāju kustības virzienā. Pēc tam stingri pievelciet kloķi, lai fiksētu iestatīto 0° leņķi.

► **Att.62:** 1. Trijstūris 2. Zāģa asmens 3. Pagriežamās pamatnes augšējā virsma

Vēlreiz pārbaudiet, vai asmens mala ir perpendikulāra pagriežamās pamatnes virsmai. Atbrīvojiet rādītāja skrūvi. Savietojiet rādītāju ar 0° pozīciju slīpleņķa skala un pēc tam pievelciet skrūvi.

45° slīpais leņķis

IEVĒRĪBAI: Pirms 45° slīpleņķa iestatīšanas noregulējiet 0° slīpleņķi.

Atbrīvojiet kloķi un sagāziet slīdrāmi līdz galam uz to pusi, kuru vēlaties pārbaudīt. Pārbaudiet, vai rādītājs norāda uz 45° pozīciju slīpleņķa skalā.

► **Att.63**

Ja rādītājs nenorāda uz 45° pozīciju, savietojiet to ar 45° pozīciju, pagriežot regulēšanas bultskrūvi slīpleņķa skalas pretējā pusē.

► **Att.64:** 1. Kreisās puses 45° regulēšanas bultskrūve 2. Labās puses 45° regulēšanas bultskrūve

Lāzera līnijas pozīcijas regulēšana

Tikai modelim LS1219L

▲BRĪDINĀJUMS: Regulējot lāzera līniju, darbarīkam jābūt atvienotam no strāvas avota. Rīkojieties ļoti uzmanīgi, lai, veicot regulēšanu, nejauši neiedarbinātu darbarīku. Darbarīka nejauša iedarbināšana var izraisīt smagus ievainojumus.

▲UZMANĪBU: Nekad neskatieties tieši lāzera starā. Skatīšanās uz tiešu lāzera staru var izraisīt smagus acu bojājumus.

IEVĒRĪBAI: Regulāri pārbaudiet lāzera līnijas precizitāti.

IEVĒRĪBAI: Ņemiet vērā darbarīka radīto ietekmi. Tas var radīt lāzera līnijas nepareizu novietojumu vai sabojāt lāzera, saisisinot tā darbmūžu.

IEVĒRĪBAI: Ja lāzera mehānisms ir sabojājies, remonts jāveic „Makita” pilnvarotajā apkopes centrā.

Lāzera līnijas kustības diapazonu nosaka ar diapazona regulēšanas skrūvēm abās pusēs. Lai mainītu lāzera līnijas pozīciju, veiciet norādītās darbības.

1. Atvienojiet darbarīku no elektrotīkla.
2. Uz apstrādājamā materiāla uzzīmējiet zāģēšanas līniju, un novietojiet materiālu uz pagriežamās pamatnes. Šajā posmā vēl nenostipriniet apstrādājamo materiālu ar skrūvspīlēm vai līdzīgu nostiprināšanas ierīci.
3. Nolaidiet rokturi un savietojiet zāģēšanas līniju ar zāģa asmeni.
4. Atgrieziet rokturi sākotnējā pozīcijā un nostipriniet apstrādājamo materiālu ar vertikālajām skrūvspīlēm tā, lai apstrādājama materiāls nenovirzītos no noteiktās pozīcijas.
5. Pievienojiet darbarīku elektrotīklam un ieslēdziet lāzera slēdzi.
6. Atbrīvojiet regulēšanas skrūves. Lai atbīdītu lāzera līniju no asmens, grieziet diapazona regulēšanas skrūves pretēji pulksteņrādītāju kustības virzienam. Lai piebīdītu lāzera līniju pie asmens, grieziet diapazona regulēšanas skrūves pulksteņrādītāju kustības virzienā.

Lāzera līnijas iestatīšana asmens kreisajā pusē

- **Att.65:** 1. Regulēšanas skrūve 2. Diapazona regulēšanas skrūve 3. Sešstūru uzgriežņatslēga 4. Lāzera līnija 5. Zāģa asmens

Lāzera līnijas iestatīšana asmens labajā pusē

- **Att.66:** 1. Regulēšanas skrūve 2. Diapazona regulēšanas skrūve 3. Sešstūru uzgriežņatslēga 4. Lāzera līnija 5. Zāģa asmens

7. Bīdīet regulēšanas skrūvi, līdz lāzera līnija piegul zāģēšanas līnijai, un pēc tam pievelciet.

PIEZĪME: Lāzera līnijas kustības diapazons rūpnīcā ir noregulēts 1 mm robežās no asmens virsmas malas.

Lāzera gaismas lēcas tīrīšana

Tikai modelim LS1219L

Ja lāzera gaismas lēca kļūst netīra, lāzera gaisma kļūst blāva. Regulāri tīriet lāzera gaismas lēcu.

- **Att.67:** 1. Skrūve 2. Lēca

Atvienojiet darbarīku no elektrotīkla. Atbrīvojiet skrūvi un izņemiet lēcu. Saudzīgi notīriet lēcu ar mitru drānu.

IEVĒRĪBAI: Neizskrūvējiet skrūvi, kas nostiprina lēcu. Ja lēcu nevar izņemt, turpiniet atbrīvot skrūvi.

IEVĒRĪBAI: Tirot lēcu, nelietojiet šķīdinātājus vai tīrītājus uz naftas produktu bāzes.

Ogles suku nomaīņa

- **Att.68:** 1. Robežas atzīme

Regulāri izņemiet un pārbaudiet ogles suku. Kad ogles suku nolietojušās līdz robežas atzīmei, nomainiet tās. Turiet ogles suku tīras un pārbaudiet, vai tās brīvi ievietojas turētājos. Abas ogles suku ir jānomaina vienlaicīgi. Izmantojiet tikai identiskas ogles suku.

Lai noņemtu suku turētāja vāciņus, izmantojiet skrūvgriezi. Izņemiet nolietojušās ogles suku, ievietojiet jaunas un nostipriniet suku turētāja vāciņus.

- **Att.69:** 1. Suku turētāja vāciņš

Pēc suku nomaīņas pievienojiet darbarīku strāvas avotam un, darbinot to bez noslodzes apmēram 10 minūtes, ļaujiet sukām iestrādāties. Pēc tam pārbaudiet darbarīku, kamēr tas darbojas, kā arī elektrobremžu darbību, atlaižot slēdža mēlīti. Ja elektrobremzes nedarbojas pareizi, nododiet darbarīku labošanai „Makita” apkopes centrā.

Pēc ekspluatācijas

Pēc ekspluatācijas ar lupatīņu vai ko līdzīgu no darbarīka notīriet tam pielipušās skaidas un putekļus. Rūpējieties, lai asmens aizsargs būtu tīrs, ievērojot iepriekš minētajā sadaļā „Asmens aizsargs” minētos norādījumus. Slīdošās daļas ieeļļojiet ar mašīneļļu, lai tās nesarūsētu.

Lai saglabātu izstrādājuma DROŠU un UZTICAMU darbību, remontdarbus, apkopi un regulēšanu uzticiet veikt tikai Makita pilnvarotam vai rūpnīcas apkopes centram, un vienmēr izmantojiet tikai Makita rezerves daļas.

PAPILDU PIEDERUMI

▲BRĪDINĀJUMS: Šos piederumus vai papildierīces ieteicams izmantot kopā ar šajā rokasgrāmatā aprakstīto „Makita” darbarīku. Izmantojot citus piederumus vai papildierīces, var radīt smagus ievainojumus.

▲BRĪDINĀJUMS: Piederumu vai papildierīces izmantojiet tikai paredzētajam mērķim. Nepareizi lietojot piederumus vai papildierīces, var radīt smagus ievainojumus.

Ja jums vajadzīga palīdzība vai precīzāka informācija par šiem piederumiem, vērsieties savā tuvākajā Makita apkopes centrā.

- Zāģa asmeņi ar tērauda un karbīda uzgaļiem
- Vertikālās skrūvspīles
- Horizontālās skrūvspīles
- Griestu cokola aizturu komplekts
- Putekļu maiss
- Trijstūris
- Seššķautņu uzgriežņu atslēga
- Sešstūru uzgriežņatslēga (modelim LS1219L)

PIEZĪME: Daži sarakstā norādītie izstrādājumi var būt iekļauti instrumenta komplektācijā kā standarta piederumi. Tie dažādās valstīs var būt atšķirīgi.

SPECIFIKACIJOS

Modelis:		LS1219	LS1219L
Disko skersmuo		305 mm	
Angos skersmuo	Europos šalys	30 mm	
	Ne Europos šalys	25,4 mm	
Didž. pjūklo disko prapjovimo storis		3,2 mm	
Didž. įžambus kampas		Dešinėje 60°, kairėje 60°	
Didž. įstrižas kampas		Dešinėje 48°, kairėje 48°	
Be apkrovos (aps./min.)		3 200 min ⁻¹	
Lazerio tipas		-	Raudonas lazeris 650 nm, didžiausia išvestis < 1,6 mW (2M lazerio klasė)
Matmenys (I x P x A)		898 mm x 664 mm x 725 mm	
Grynavis svoris		29,3 kg	29,5 kg
Saugos klasė		□/II	

Pjovimo pajėgumas (A x P)

Įžambusis kampas			Įstrižasis kampas		
			45° (kairėje)	0°	45° (dešinėje)
0°	-	-	61 mm x 382 mm 71 mm x 363 mm	92 mm x 382 mm 107 mm x 363 mm	44 mm x 382 mm 54 mm x 363 mm
	Medžio apsaugos ant kreipiamojo aptvaro storis didesniams pjovimo aukščiui	20 mm	78 mm x 325 mm	115 mm x 325 mm	61 mm x 325 mm
38 mm		80 mm x 292 mm	120 mm x 292 mm	-	
45° (dešinėje ir kairėje)	-	-	61 mm x 268 mm 71 mm x 255 mm	92 mm x 268 mm 107 mm x 255 mm	44 mm x 268 mm 54 mm x 255 mm
	Medžio apsaugos ant kreipiamojo aptvaro storis didesniams pjovimo aukščiui	15 mm	-	115 mm x 227 mm	-
		25 mm	-	120 mm x 212 mm	-
60° (dešinėje ir kairėje)	-	-	-	92 mm x 185 mm 107 mm x 178 mm	-
	Medžio apsaugos ant kreipiamojo aptvaro storis didesniams pjovimo aukščiui	15 mm	-	115 mm x 155 mm	-
		25 mm	-	120 mm x 140 mm	-

Specialiųjų pjūvių pjovimo pajėgumas

Pjovimo tipas	Pjovimo pajėgumas
Lubų apdailos juostos, 45° tipas (su naudojamu apdailos juostų fiksatoriumi)	203 mm
Grindjuostės (su naudojamu horizontaliu spauštuvu)	171 mm

- Atliekame tęsinius tyrimus ir nuolat tobuliname savo gaminius, todėl čia pateikiamos specifikacijos gali būti keičiamos be įspėjimo.
- Skirtingose šalyse specifikacijos gali skirtis.
- Svoris pagal EPTA 2014 m. sausio mėn. procedūrą

Simboliai

Toliau yra nurodyti įrangai naudojami simboliai. Prieš naudodami įsitikinkite, ar suprantate jų reikšmę.



Perskaitykite instrukcijų vadovą.



DVIGUBA IZOLIACIJA



Saugodamiesi sužalojimų, kuriuos gali sukelti skriejančios atliekos, baigę pjauti pjūklų galvutę laikykite nuleidę, kol diskas visiškai sustos.



Atikdami slenkamąjį pjūvį, pirmiausiai iki galo patraukite vežimėlį ir nuspauskite rankeną žemyn, tada pašaukite vežimėlį kreipiamojo aptvaro link.



Nekiškite rankų ir pirštų prie disko.



Niekada nežiūrėkite į lazerio spindulį. Tiesioginis lazerio spindulys gali pažeisti akis.



Tik ES šalims
Neišmeskite elektrinės įrangos kartu su buitineis šiukšlėmis! Pagal ES direktyvą dėl naudotos elektros ir elektroninės įrangos ir jos įdiegimo pagal nacionalinius įstatymus, naudotą elektros įrangą būtina surinkti atskirai ir nugabenti antrinių žaliavų perdirbimui aplinkai nekenksmingu būdu.

Numatytoji naudojimo paskirtis

Šis įrankis skirtas tiksliai, tiesiai ir įžambiai pjauti medieną. Naudojant tinkamus pjūklų diskus, galima pjauti ir aliuminį.

Elektros energijos tiekimas

Įrenginys turi būti tiekiamas tokios įtampos elektros energija, kaip nurodyta duomenų lentelėje; įrenginys veikia tik su vien-fazė kintamąja srove. Jie yra dvigubai izoliuoti, todėl gali būti naudojami prijungus prie elektros lizdo be žemimo laido.

Triukšmas

Įprastas triukšmo A lygis, nustatytas pagal EN62841:

Modelis LS1219

Garso slėgio lygis (L_{pA}): 91 dB (A)
Garso galios lygis (L_{WA}): 100 dB (A)
Paklaida (K): 3 dB (A)

Modelis LS1219L

Garso slėgio lygis (L_{pA}): 91 dB (A)
Garso galios lygis (L_{WA}): 100 dB (A)
Paklaida (K): 3 dB (A)

ĮSPĖJIMAS: Dėvėkite ausų apsaugą.

Vibracija

Vibracijos bendroji vertė (trიაšio vektorius suma) nustatyta pagal EN62841 standartą:

Modelis LS1219

Vibracijos emisija (a_h): 2,5 m/s² arba mažiau
Paklaida (K): 1,5 m/s²

Modelis LS1219L

Vibracijos emisija (a_h): 2,5 m/s² arba mažiau
Paklaida (K): 1,5 m/s²

PASTABA: Paskelbtasis vibracijos emisijos dydis nustatytas pagal standartinį testavimo metodą ir jį galima naudoti vienam įrankiui palyginti su kitu.

PASTABA: Paskelbtasis vibracijos emisijos dydis taip pat gali būti naudojamas preliminariai įvertinti vibracijos poveikį.

ĮSPĖJIMAS: Faktiškai naudojant elektrinį įrankį, keliamos vibracijos dydis gali skirtis nuo paskelbtojo dydžio, priklausomai nuo būdu, kuriais yra naudojamas šis įrankis.

ĮSPĖJIMAS: Siekdami apsaugoti operatorių, būtina įvertinkite saugos priemones, remdamiesi vibracijos poveikio įvertinimu esant faktinėms naudojimo sąlygoms (atsižvelgdami į visas darbo ciklo dalis, pavyzdžiui, ne tik kiek laiko įrankis veikia, bet ir kiek kartų jis yra išjungiamas bei kai jis veikia be apkravų).

EB atitikties deklaracija

Tik Europos šalims

EB atitikties deklaracija yra pridedama kaip šio instrukcijų vadovo A priedas.

SAUGOS ĮSPĖJIMAI

Bendrieji įspėjimai dirbant elektriniais įrankiais

ĮSPĖJIMAS: Perskaitykite visus saugos įspėjimus, instrukcijas, iliustracijas ir techninius duomenis, pateiktus kartu su šiuo elektriniu įrankiu. Nesilaikant visų toliau išvardytų instrukcijų galima patirti elektros smūgį, gali kilti gaisras ir (arba) galima sunkiai susižaloti.

Išsaugokite visus įspėjimus ir instrukcijas, kad galėtumėte jas peržiūrėti ateityje.

Terminas „elektrinis įrankis“ pateiktuose įspėjimuose reiškia į maitinimo tinklą jungiamą (laidinį) elektrinį įrankį arba akumuliatoriaus maitinamą (belaidį) elektrinį įrankį.

Įžambiai pjaunančių pjūklų saugos instrukcijos

1. Įžambiai pjaunantys pjūklai yra skirti medienos ar į medieną-panašioms gaminiams pjauti, jų negalima naudoti su šlifuojamaisiais nupjovimo diskais geležinėms medžiagoms (sijoms, strypams, vinims ir pan.) pjauti. Dėl šlifuojant susidarantių dulkių judamosios dalys (pvz., apatinė apsauga) stringa. Per šlifuojamųjų pjovimą kylančios kibirkštys nudegins apatinę apsaugą, prapjovimo įdėklą ir kitas plastikines dalis.

2. **Kai įmanoma, ruošinį įtvirtinkite spaustuvais. Jei ruošinį remiate ranka, ją laikykite mažiausiai 100 mm atstumu nuo bet kurios pjūklo disko pusės. Nenaudokite šio pjūklo pernelyg mažoms dalims, kurių nebūtų galima saugiai prispausti arba laikyti ranka, pjauti. Ranką padėjus pernelyg arti pjūklo disko, didėja rizika susižaloti jį palietus.**
 3. **Ruošiny s turi būti stabilus ir prispaustas arba padėtas priešais aptvarą ir stalą. Jokių būdu nestumkite ruošinio disko link ir nepjaukite rankomis. Nepritvirtinti ar judantys ruošiniai gali būti staiga išmesti ir jus sužaloti.**
 4. **Spauskite pjūklą per ruošinį. Netraukite pjūklo per ruošinį. Norėdami pjauti, pakelkite pjūklo priekinę dalį ir nepjudami traukite ją virš ruošinio, paleiskite variklį, spauskite pjūklo priekinę dalį žemyn, o pjūklą – per ruošinį. Tikėtina, kad traukiant pjūklo diskas atsידurs ruošinio viršuje ir per jėgą išmes pjūklo mechanizmą operatoriaus link.**
 5. **Niekada nedėkite rankos už numatytos pjovimo linijos pjūklo disko priekyje arba už jo. Prilaikyti ruošinį sukryžiavus rankas (t. y. laikant ruošinį pjūklo disko dešinėje pusėje kairiąja ranka arba atvirksčiai) yra labai pavojinga.**
- **Pav.1**
6. **Kai diskas sukasi, ranka nesiekite už aptvaro arčiau nei 100 mm atstumu nuo bet kurios pjūklo disko pusės, jei prireiktų pašalinti medienos gabalėlius ar dėl kitos priežasties. Besisukantis pjūklo diskas gali būti arčiau jūsų rankos, nei manote, todėl galite sunkiai susižaloti.**
 7. **Prieš pjudami patikrinkite ruošinį. Jei ruošinys yra lenktas arba iškreiptas, suspauskite jį išlenktos dalies išorėje aptvaro link. Visada įsitikinkite, kad tarp ruošinio, aptvaro ir stalo palei pjovimo liniją nėra tarpo. Lenkti arba iškreipti ruošiniai gali susisukti arba pasislinkti, todėl pjudant besisukantis pjūklo diskas gali užstrigti. Ruošinyje neturi būti vinių ar kitų pašalinių objektų.**
 8. **Nenaudokite pjūklo, kol ant stalo yra pašalinių įrankių, medienos gabalėlių ir pan. Nedidelės nuopjovos, palaidi medienos gabalėliai arba kiti objektai, palietę besisukantį diską, gali būti išmesti dideliu greičiu.**
 9. **Vienu metu pjudkite tik vieną ruošinį. Vieno ant kito sukrautų ruošinių nepavyks tinkamai prispausti arba suimti, todėl jie gali įstrigti diske arba pasislinkti pjudant.**
 10. **Prieš naudodami įsitikinkite, kad įžambiai pjudantis pjūklas sumontuotas arba padėtas ant lygaus ir tvirto darbinio paviršiaus. Lygus ir tvirtas darbinis paviršius užtikrina įžambiai pjudančio pjūklo stabilumą.**
 11. **Planuokite savo darbą. Kaskart keisdami įstrižojo ir įžambiojo kampų nuostatas, įsitikinkite, kad reguliuojamas aptvaras tinkamai prilaikys ruošinį, nesilies su disku ar apsaugos sistema. Nejuddami įrankio ir nepadėję ruošinio ant stalo, stumkite pjūklo diską per imituotą pjūvio vietą, kad įsitikintumėte, jog nekils pavojaus atsitręnti ar nupjauti ruošinį.**
 12. **Pasirūpinkite tinkama atrama, skirta ruošiniui, platesniam ar ilgesniam už stalo paviršių (tai gali būti stalo ilginiai, ožys malkoms pjauti ir kt.). Už įžambiai pjudančio pjūklo stalą ilgesni ar platesni ruošiniai gali nuvirsti, jei jų neprilaikysite tinkamai. Jei nupjauinama dalis ar ruošinys pakryptų, ji (-is) gali pakelti apatinę apsaugą ar būti numesta (-as) besisukančio disko.**
 13. **Nenaudokite kito asmens stalui pailginti arba vietoje papildomos atramos. Dėl nestabilius ruošinio atramos pjudant diskas gali įstrigti, o ruošinys – pakrypti, todėl jūs arba pagalbininkas galite būti truketelėti besisukančio disko link.**
 14. **Nupjauinama dalis negali būti įstrigusi arba kokia nors priemone spaudžiama besisukančio pjūklo disko link. Jei darba yra nors riboja (pvz., naudojami ilgio fiksatoriai), nupjauinama dalis gali būti plėšiama priešais diską ir stipriai išmesta.**
 15. **Visada naudokite spaustuva arba tvirtinimo elementą, skirtą apvaliai medžiagai (pvz., strypams arba vamzdžiams) prilaikyti. Pjudami strypai linkę riedėti, todėl diskas gali įpjauti ir įtraukti ruošinį su jūsų ranka į diską.**
 16. **Prieš paliesdami ruošinį, leiskite diskui pradėti sukintis visu greičiu. Tai sumažins tikimybę, kad ruošinys bus išmestas.**
 17. **Įstrigus ruošiniui ar diskui, nusukite įžambiai pjudantį pjūklą. Palaukite, kol visos judamosios dalys sustos, ištraukite kištuką iš maitinimo šaltinio ir (arba) išimkite akumuliatorių. Tada pašalinkite įstrigusią medžiagą. Pjudant, kai ruošinys įstrigęs, galima sugadinti įžambiai pjudantį pjūklą arba jo nesuvaldyti.**
 18. **Baigę pjauti atleiskite jungiklį, laikykite pjūklo priekinę dalį pakreiptą žemyn ir laukite, kol diskas nustos sukintis, tik tada imkite nupjautą dalį. Bandyti ranka pasiekti iš inercijos besisukantį diską yra pavojinga.**
 19. **Jei norėsite tik įpjauti, tvirtai laikykite pjūklą už rankenėlės, tai darykite ir prieš atleisdami jungiklį, jei pjūklo priekinė dalis nėra visiškai nuleista žemyn. Stabdant pjūklą, jo priekinė dalis gali būti staiga patraukta žemyn, tai kelia pavojų susižaloti.**
 20. **Naudokite tik tokio skersmens pjovimo diską, koks yra nurodytas ant įrankio arba naudojimo instrukcijoje. Naudojant netinkamo dydžio diską, diskas gali būti netinkamai apsaugotas arba netinkamai veiks apsauginis disko gaubtas, todėl galima sunkiai susižeisti.**
 21. **Naudokite tik tuos pjūklo diskus, ant kurių nurodytas sukimos greitis prilygsta arba viršija ant įrankio nurodytą sukimos greitį.**
 22. **Pjūklą naudokite tik medienai, aliuminiui ir panašioms medžiagoms pjauti.**
 23. **(Tik Europos šalims) Naudokite pjūklo diskus, atitinkančius EN847-1.**
- Papildomos instrukcijos**
1. **Pasirūpinkite, kad į dirbtuves nepatektų vaikų, užkabinkite spynas.**
 2. **Niekada nestovėkite ant įrankio. Pjovimo įrankiui apvirtus arba jį netyčia palietus, galima sunkiai susižaloti.**
 3. **Niekada nepalikite veikiančio įrankio be priežiūros. Išjunkite maitinimą. Nepalikite įrankio, kol jis visiškai nesustojo.**
 4. **Nenaudokite pjūklo, jei apsauginiai įtaisai nėra įtvirtinti. Kaskart prieš naudodami patikrinkite, ar apsauginis disko įtaisas užsidaro tinkamai. Nenaudokite pjūklo, jei kas nors trukdo judėti apsauginiam disko įtaisui ir jis neužsidaro iš karto. Jokių būdu neužfiksuokite ir nepririškite apsauginio disko, jei įtaisas atdaras.**

5. Žiūrėkite, kad rankos būtų kuo toliau nuo pjūklų disko. Venkite sąlyčio su bet kuriuo judančiu disku. Jis gali sunkiai sužeisti.
 6. Po kiekvieno skersinio pjūvio gražinkite atramą į galinę padėtį, kad sumažintumėte riziką susižeisti.
 7. Prieš nešdami įrankį, būtinai užtvirtinkite visas judamasias dalis.
 8. Stabdymo kaištis, užfiksuojantis pjaustytuvo galvutę, skirtas tik perkelti ir saugoti prietaisą, juo negalima pjauti.
 9. Prieš naudodami patikrinkite, ar diskas nėra įtrūkęs arba pažeistas. Nedelsdami pakeiskite įtrūkusį arba apgadintą diską. Ant disko esantys sukietėję sakai ar derva lėtina pjovimą ir didina atatranksos pavojų. Jei valote diską, pirmiausia išimkite jį iš įrankio, tada nuvalykite sakų ir dervos šalinimo priemonę, karštu vandeniu ar žibalu. Niekada nenaudokite benzino diskui valyti.
 10. Atliekant pjūvį slenkant, gali įvykti ATATRANKA. ATATRANKA įvyksta, kai pjaunant diskas įstringa ruošinyje, o pjūklų diskas greitai juda operatoriaus link. Galima nesuvaldyti įrankio ir sunkiai susižaloti. Jei pjaunant diskas pradėjo strigti, nebepjunkite ir nedelsdami atleiskite jungiklį.
 11. Naudokite tik šiam įrankiui skirtas junges.
 12. Saugokitės, kad nepažeistumėte veleno, jungių (ypač montavimo paviršiaus) ar varžto. Pažeidus šias dalis diskas gali lūžti.
 13. Įsitikinkite, ar sukiojamas pagrindas gerai pritvirtintas ir nejudės dirbant. Pagrindė esančias skylės naudokite pjūklui ant stabilios darbinės platformos arba suoliuko pritvirtinti. NIEKADA nenaudokite įrankio, jei operatoriaus padėtis nepatogi.
 14. Prieš įjungdami jungiklį įsitikinkite, ar ašies fiksatorius neužfiksuotas.
 15. Patikrinkite, ar diskas neličia sukiojamo pagrindo apačios.
 16. Tvirtai laikykite rankenėlę. Saugokitės, nes pradėjus ar baigiant dirbti pjūklas truputį pajuda aukštyn arba žemyn.
 17. Prieš įjungdami jungiklį patikrinkite, ar diskas neličia ruošinio.
 18. Prieš naudodami įrankį su ruošiniu, leiskite jam kurį laiką veikti be apkrovos. Atkreipkite dėmesį į vibraciją arba klībėjimą – gali būti, kad įrankis netinkamai sumontuotas, arba diskas blogai subalansuotas.
 19. Pastebėję ką nors neįprasto, tučtuojau nutraukite darbą.
 20. Nemėginkite užfiksuoti gaiduko į padėtį „ON“ (įjungta).
 21. Visada naudokite šioje instrukcijoje rekomenduojamus priedus. Naudojant netinkamus priedus, pvz., šlifavimo diskus, galima susižeisti.
 22. Kai kuriose medžiagose gali būti nuodingų chemikalų. Saugokitės, kad neįkvėptumėte dulkių ir nesiliestumėte oda. Laikykites medžiagų tiekėjo saugos nurodymų.
- Papildomos saugos taisyklės dirbant lazeriu
1. LAZERIO SPINDULIUOTĖ, NEŽIŪRĖKITE Į SPINDULĮ ILGAI AR TIESIOGIAI, NAUDODAMI OPTINIUS PRIETAISUS, 2M KLASĖS LAZERINIS GAMINYS.

SAUGOKITE ŠIAS INSTRUKCIJAS.

⚠️ ĮSPĖJIMAS: NELEISKITE, kad patogumas ir gaminio pažinimas (įgyjamas pakartotinai naudojant) susilpnintų griežtą saugos taisyklių, taikytinų šiam gaminiui, laikymąsi. Dėl NETINKAMO NAUDOJIMO arba saugos taisyklių, kurios pateiktos šioje instrukcijoje, nesilaikymo galima rimtai susižeisti.

DALIŲ APRAŠYMAS

► Pav.2

1	Slankiojimo strypas	2	Fiksavimo smaigas (atramai slankioti)	3	Vertikalus spaustuvas	4	Atleidimo mygtukas (dešinės pusės įstrižajam kampui)
5	Laikiklis	6	Sukiojamas pagrindas	7	Rodyklė (įžambijam kampui)	8	Įžambiojo kampo skalė
9	Prapjovimo plokštė	10	Disko aptvaras	11	Reguliavimo varžtas (lazerio spinduliui)	12	Intervalo reguliavimo varžtas (lazerio spinduliui)
13	Pjūklų disko apsauginis įtaisas	14	Rankenėlė (įstrižajam kampui)	15	Šešiakampis veržliasukis	16	Reguliavimo varžtas (apatinei ribinei padėčiai)
17	Reguliavimo varžtas (didž. pjovimo pajėgumui)	18	Fiksavimo rankena	19	Fiksuojamoji svirtis (sukiojamam pagrindui)	20	Atleidimo svirtis (sukiojamam pagrindui)
21	Rankena (sukiojamam pagrindui)	-	-	-	-	-	-

► Pav.3

1	Gaidukas	2	Atlaisvinimo mygtukas	3	Pakabinamos spynos anga	4	Jungiklis (lazerio spinduliui)
5	Žarna (dulkėms ištraukti)	6	Fiksavimo smaigas (atramai pakelti)	7	Kreipiamasis aptvaras (apatinis aptvaras)	8	Kreipiamasis aptvaras (viršutinis aptvaras)
9	Dulkių maišelis	10	0° kampo reguliavimo varžtas (įstrižajam kampui)	11	Įstrižojo kampo skalė	12	Atleidimo svirtis (48° įstrižajam kampui)
13	Užrakto svirtis (įstrižajam kampui)	14	Rodyklė (įstrižajam kampui)	15	45° kampo reguliavimo varžtas (įstrižajam kampui)	-	-

SUMONTAVIMAS

Rankenos montavimas

Įsukite sriegiuotą rankenos veleną į sukiojamą pagrindą.

► **Pav.4:** 1. Rankena 2. Sukiojamas pagrindas

Dulkių ištraukimo žarnos tvirtinimas

Prijunkite dulkių ištraukimo žarną prie įrankio, kaip parodyta.

Įsitikinkite, kad alkūnė ir įvorė tinkamai įdėtos į įrankio angas.

► **Pav.5:** 1. Dulkių ištraukimo žarna 2. Alkūnė 3. Įvorė 4. Anga

Staklių montavimas

Įrankį transportuojant, jo rankenėlė fiksavimo smaigu užfiksuojama apačioje. Šiek tiek nuleisdami rankenėlę, patraukite fiksavimo smaigą ir sukite jį 90° kampu.

► **Pav.6:** 1. Užfiksuota padėtis 2. Atfiksuota padėtis 3. Fiksavimo smaigas

Šį įrankį reikia prisukti keturiais varžtais prie lygaus, stabilaus paviršiaus, įsukant juos į įrankio pagrinde varžtams padarytas skylės. Tai ne leis įrankiui pasvirti ir sukelti sužeidimo pavojų.

► **Pav.7:** 1. Varžtas

▲JSPĖJIMAS: Užtikrinkite, kad įrankis nejudėtų ant atraminio paviršiaus. Jei pjaunant kampinis pjūklas pajudės ant atraminio paviršiaus, galite nesuvaldyti įrankio ir sunkiai susižeisti.

VEIKIMO APRAŠYMAS

▲JSPĖJIMAS: Prieš pradėdami reguliuoti arba tikrinti įrankio veikimą, būtinai jį išjunkite ir atjunkite nuo maitinimo tinklo. Neišjungę įrankio ir neatjungę jo nuo maitinimo tinklo, galite sunkiai susižeisti, jei įrankis atsitiktinai įsijungtų.

Pjovimo disko apsauga

► **Pav.8:** 1. Pjovimo disko apsauga

Nuleidus rankenėlę, pjūklo disko apsauga pakyla automatiškai. Apsauginiame įtaise įrengta spyruoklė; baigus pjauti ir pakėlus rankenėlę, ji sugrąžina apsaugą į pradinę padėtį.

▲JSPĖJIMAS: Niekada neužblokuokite ir nenuimkite disko apsauginio įtaiso arba jį tvirtinančios spyruoklės. Užblokuavus apsauginį įtaisą, dirbant galima sunkiai susižeisti neuždengtu disku.

Norėdami užsitikrinti saugumą, visada palaikykite gerą pjūklo disko apsaugos būklę. Jei apsaugos veikimas sutrinka, tai nedelsiant reikia pataisyti. Patikrinkite, ar spyruoklė gali sugrąžinti apsaugą į pradinę padėtį.

▲JSPĖJIMAS: Niekada nenaudokite įrankio, jei disko apsauginis įtaisas arba spyruoklė yra pažeisti, sugadinti arba nuimti. Naudojant įrankį su pažeistu arba nuimtu apsauginiu įtaisu, galima sunkiai susižeisti.

Jeigu permatomas pjūklo disko apsauginis įtaisas susitepa arba prie jo prilimpa pjuvenų ir negalima lengvai įžiūrėti pjūklo disko bei ruošinio, atjunkite pjūklą nuo maitinimo tinklo ir kruopščiai nuvalykite apsauginį įtaisą drėgnu skudurėliu. Plastikinio apsauginio įtaiso negalima valyti tirpikliais arba naftos pagrindu pagamintais valikliais, nes šios medžiagos jį gali pažeisti.

Jeigu pjūklo disko apsauginis įtaisas ypač purvinas ir vaizdas pro jį pablogėjęs, atjunkite įrankį ir naudodami pateiktą veržliasukį atsukite šešiakampį varžtą, laikantį centrinį gaubtą. Atsukite šešiakampį varžtą, sukdami jį prieš laikrodžio rodyklę, pakelkite pjūklo disko apsauginį įtaisą ir centrinį gaubtą. Kai pjūklo disko apsauginis įtaisas yra nustatytas į šią padėtį, galima valyti kruopščiau ir efektyviau. Baigę valyti, atlikite veiksmus atvirkštine tvarka ir užveržkite varžtą. Nenuimkite pjūklo disko apsauginį įtaisą laiknčios spyruoklės. Jeigu laikui bėgant arba dėl ultravioletinių spindulių poveikio apsauginis įtaisas prarastų skaidrumą, kreipkitės į „Makita“ techninio aptarnavimo centrą. NEIŠJUNKITE IR NENUIMKITE APSAUGINIO ĮTAISO.

► **Pav.9:** 1. Centrinis gaubtas 2. Šešiakampis veržliasukis 3. Pjūklo disko apsauginis įtaisas

Prapjovimo plokštės

Šio įrankio sukiojamame pagrinde įrengtos prapjovimo plokštės, kurios sumažina iki minimumo pjūvio išėjimo pusės plėšimą. Gamykloje nustatyta, kad pjūklo diskas neliestų prapjovimo plokščių. Prieš naudodami sureguliuokite prapjovimo plokštės:

- **Pav.10:** 1. Prapjovimo plokštė
- **Pav.11:** 1. Kairysis įstrižasis pjūvis 2. Tiesusis pjūvis 3. Dešinysis įstrižasis pjūvis 4. Pjūklo diskas 5. Disko dantys 6. Prapjovimo plokštė

Pirmiausia atjunkite įrankį nuo elektros tinklo. Atlaisvinkite visus prapjovimo plokštės fiksuojančius varžtus (po 2 kairėje ir dešinėje), kad jas vis dar būtų galima lengvai judinti ranka. Visiškai nuleiskite rankenėlę, tada patraukite ir pasukite fiksuojamą smaigą bei užfiksuokite rankenėlę apačioje. Atleiskite fiksuojamą smaigą ant slankiojo strypo, traukite atramą savęs link. Nustatykite prapjovimo plokštės taip, kad jos liestų pjūklo disko dantų šonus. Užsukite priekinius varžtus (bet tvirtai neužveržkite jų). Stumkite atramą kreipiamojo aptvaro link ir nustatykite prapjovimo plokštės taip, kad jos liestų pjūklo disko dantų šonus. Užsukite galinius varžtus (bet tvirtai neužveržkite jų).

Nustatę prapjovimo plokštės, ištraukite fiksuojamą smaigą ir pakelkite rankenėlę. Tada tvirtai užveržkite visus varžtus.

PASTABA: Nustatę įstrižą kampą būtinai patikrinkite, ar tinkamai nustatytos prapjovimo plokštės. Tinkamai nustatę prapjovimo plokštės, ruošinys bus tvirtai atremtas ir visiškai sumažės galimybė jį išplėšti.

Maksimalaus pjovimo pajėgumo palaikymas

Šis įrankis gamykloje nustatytas maksimaliam pjovimo pajėgumui naudojant 305 mm pjūklo diską.

Montuodami naują pjovimo diską, visada patikrinkite apatinę ribinę disko padėtį ir, jeigu reikia, pareguliuokite ją tokiu būdu:

Pirmiausia atjunkite įrankį nuo elektros tinklo. Pasukite fiksuojamą svirtelę į fiksuojamą padėtį.

- **Pav.12:** 1. Fiksuojamo svirtelė

Stumkite atramą kreipiamojo aptvaro link ir visiškai nuleiskite rankenėlę.

Sureguliuokite diską sukdami reguliavimo varžą šešiakampiu veržliasukiu. Disko pakraštys turėtų šiek tiek nusitęsti už sukiojamojo pagrindo viršutinio paviršiaus ir siekti vietą, kur kreipiamojo aptvaro priekinė pusė susiduria su sukiojamojo pagrindo viršumi.

- **Pav.13:** 1. Reguliavimo varžtas

- **Pav.14:** 1. Sukiojamo pagrindo viršutinis paviršius 2. Pjovimo disko kraštas 3. Kreipiamasis aptvaras

Nejungdami įrankio ranka sukite pjūklo diską, laikydami visiškai nuspauštą rankenėlę, kad patikrintumėte, ar pjūklo diskas neličia jokios apatiniam pagrinde esančios dalies. Jeigu reikia, dar truputį pareguliuokite. Nustatę, sugražinkite fiksuojamą svirtį į pradinę padėtį.

ĮSPĖJIMAS: Sumontavę naują pjūklo diską, nejungdami įrankio, patikrinkite, ar visiškai nuleidus rankenėlę pjūklo diskas neličia jokios apatiniam pagrinde esančios dalies. Jeigu diskas liečia pagrindą, gresia atitranka, galinti sukelti sunkių sužalojimų.

Fiksavimo rankena

Apatinę ribinę pjūklo disko padėtį galima lengvai nustatyti, naudojant fiksuojamą rankeną. Norėdami ją nustatyti, sukite fiksuojamą rankeną rodyklės kryptimi, kaip parodyta piešinyje. Sukite reguliavimo varžtą taip, kad visiškai nuleidus rankenėlę, pjūklo diskas sustotų norimoje padėtyje.

- **Pav.15:** 1. Fiksuojamo rankena 2. Reguliavimo varžtas

Įžambaus kampo nustatymas

ĮSPĖJIMAS: Pakeitę įžambųjį kampą, visuomet užtvirtinkite sukiojamą pagrindą, tvirtai užverždami rankeną.

PASTABA: Sukant sukiojamą pagrindą, rankenėlė turi būti iki galo pakelta.

- **Pav.16:** 1. Fiksuojamo svirtis 2. Rankena 3. Atlaisvinimo svirtelė 4. Rodyklė

Sukite rankeną, užtvirtinančią sukiojamą pagrindą, prieš laikrodžio rodyklę. Sukite rankeną ir tuo pačiu metu laikykite fiksuojamą svirtelę, kad būtų galima judinti sukiojamą pagrindą. Sulgyjuokite rodyklę pagal pagedaujamą kampą skalėje, tada užveržkite rankeną.

PASTABA: Jei nuspausite atleidimo svirtelę, galėsite judinti sukiojamą pagrindą nenuspaudę fiksuojamą svirtelės. Nustatę norimą padėtį, priveržkite rankeną.

Šis įžambiojo pjovimo pjūklas naudoja teigiamo kampo fiksuojamą funkciją. Galite greitai nustatyti 0°, 15°, 22,5°, 31,6°, 45° ir 60° dešinią / kairią įžambųjį kampą. Norėdami naudoti šią funkciją, stumkite sukiojamą pagrindą kuo arčiau pagedaujamo teigiamo užfiksuojamo kampo, laikydami fiksuojamą svirtelę nuleistą. Tada atleiskite fiksuojamą svirtelę ir stumkite sukiojamą pagrindą pirmyn, kol jis užsifiksuos.

Įstrižo kampo nustatymas

PASTABA: Prieš reguliuodami įstrižąjį kampą, visada nuimkite viršutinius kreipiamuosius aptvarus ir vertikalų spaustuvą.

PASTABA: Keisdami įstrižuosius kampus, atitinkamai nustatykite prapjovimo plokštės, kaip paaiškinta skyriuje „Prapjovimo plokštės“.

PASTABA: Pakreipiant pjūklo diską, rankenėlė turi būti visiškai pakelta.

PASTABA: Neprispauskite rankenėlės per smarki. Kitaip įstrižo kampo fiksuojamo mechanizmas gali sugesti.

1. Sukite rankenėlę ant slankiojo strypo prieš laikrodžio rodyklę.

► **Pav.17:** 1. Rankenėlė

2. Patraukite ir sukite užrakto svirtį į parodytą padėtį.

► **Pav.18:** 1. Užrakto svirtis

3. Sutapdinkite rodyklę pagal pageidaujama kampą skalėje, tada rankenėlę užveržkite.

► **Pav.19:** 1. Įstrižojo kampo skalė 2. Rodyklė

Norėdami pakreipti atramą į dešinę, jį šiek tiek pakreipkite kairėn, tada – dešinėn, tuo pačiu metu spausdami atlaisvinimo mygtuką.

► **Pav.20:** 1. Atlaisvinimo mygtukas

Norėdami atlikti didesnę nei 45° kampo įstrižąjį pjūvį, stumkite atramą, tuo pačiu metu slinkdami atlaisvinimo svirtelę įrankio priekio link. Galite atlikti iki 48° įstrižąjį pjūvį.

► **Pav.21:** 1. Atlaisvinimo svirtelė

Šis įžambiojo pjovimo pjūklas naudoja teigiamo kampo fiksavimo funkciją. Greitai galite nustatyti 22,5° ir 33,9° kampa į dešinę, ir kairėje. Nustatykite užrakto svirtį į parodytą padėtį ir kreipkite atramą. Norėdami pakeisti kampa, traukite užrakto svirtį ir pakreipkite atramą.

► **Pav.22:** 1. Užrakto svirtis

▲ PERSPĖJIMAS: Pakeitę įžambųjį kampa, užfiksuokite rankenėlę.

Slankusis fiksatorius

Norėdami, kad atrama neslankiotų, spauskite ją kreipiamojo aptvaro link, kol ji sustos. Patraukite fiksavimo smaigą ir sukite jį 90° kampu.

► **Pav.23:** 1. Atfiksuota padėtis 2. Užfiksuota padėtis 3. Fiksavimo smaigas

Jungiklio veikimas

▲ PERSPĖJIMAS: Prieš jungdami įrenginį visada patikrinkite, ar gaidukas gerai įsijungia, o atleistas grįžta į padėtį „OFF“ (išjungta). Negalima stipriai spausti gaiduko, nenuspaudus atlaisvinimo mygtuko. Taip galima sugadinti jungiklį. Naudojant įrankį, kurio gaidukas netinkamai veikia, galima jo nesuvaldyti ir sunkiai susižeisti.

▲ PERSPĖJIMAS: NIEKADA nenaudokite įrankio, jei jo svirtinis jungiklis veikia netinkamai. Bet koks įrankis, kurio jungiklis neveikia, yra NEPAPRASTAI PAVOJINGAS; prieš toliau naudodami tokį įrankį, būtina jį pataisykite, kitaip galite sunkiai susižeisti.

▲ PERSPĖJIMAS: NIEKADA neužklijuokite atlaisvinimo mygtuko lipnia juostele ir nepanaikinkite jo funkcijos kitomis priemonėmis. Jungiklis su užblokuotu atlaisvinimo mygtuku gali netyčia įjungti įrankį ir operatorius gali būti sunkiai sužeistas.

▲ PERSPĖJIMAS: NIEKADA nenaudokite įrankio, jei jis veikia nuspaudus tik gaiduką, tačiau nenuspaudus atlaisvinimo mygtuko. Jungiklis, kurį reikia taisyti, gali netyčia įjungti įrankį ir operatorius gali būti sunkiai sužeistas. PRIEŠ pradėdami vėl naudoti įrankį, atiduokite jį suremontuoti į „Makita“ techninės priežiūros centrą.

► **Pav.24:** 1. Gaidukas 2. Atlaisvinimo mygtukas 3. Pakabinamos spynos anga

Atlaisvinimo mygtukas neleidžia atsitiktinai paspausti gaiduko. Jei norite įjungti įrankį, paspauskite fiksavimo svirtelę, tada patraukite gaiduką. Atleiskite gaiduką, jeigu norite sustabdyti įrankį.

Gaiduke yra anga pakabinamai spynai, skirtai įrankiui užrakinti.

▲ PERSPĖJIMAS: Nenaudokite fiksatoriaus su jungiamuoju galu arba kabeliu, jei jo skersmuo yra mažesnis nei 6,35 mm. Mažesnis jungiamasis galas arba kabelis gali netinkamai užfiksuoti įrankį į išjungimo padėtį, todėl netyčia įjungus įrankį galima sunkiai susižeisti.

Elektroninė funkcija

Nuolatinis greičio reguliavimas

Šiame įrankyje įrengta elektroninio greičio valdymo funkcija, padedanti palaikyti tolygų disko sukimosi greitį net ir tada, kai įrankis veikia su apgrova. Tolygus disko sukimosi greitis užtikrina sklandų pjovimą.

Tolygaus įjungimo funkcija

Ši funkcija leidžia sklandžiai paleisti įrankį, apriboja sukimo momentą paleidžiant.

Lazerio spindulio veikimas

Tik modeliui LS1219L

▲ PERSPĖJIMAS: Niekada nežiūrėkite į lazerio spindulį. Tiesioginis lazerio spindulys gali pažeisti akis.

Norėdami įjungti lazerio spindulį, spauskite jungiklio viršutinę dalį (I). Norėdami išjungti lazerio spindulį, spauskite apatinę jungiklio dalį (0).

► **Pav.25:** 1. Jungiklis lazeriui

Lazerio liniją galima nustatyti iš pjūko disko kairės arba dešinės pusės, nurodytu būdu sukant reguliavimo varžtą.

► **Pav.26:** 1. Reguliavimo varžtas

1. Atlaisvinkite reguliavimo varžtą, sukdami jį prieš laikrodžio rodyklę.
2. Atleidę reguliavimo varžtą, slinkite jį į dešinę arba kairę tiek, kiek galima.
3. Tvirtai užveržkite reguliavimo varžtą į tokią padėtį, kad jis daugiau nesislinktų.

PASTABA: Lazerio spindulys gamykloje nustatytas 1 mm atstumu nuo disko šoninio paviršiaus (pjovimo padėtis).

PASTABA: Kai lazerio spindulys neryškus ir prastai matomas dėl tiesioginių saulės spindulių, pasirinkite darbo vietą, neapšviestą tiesioginių saulės spindulių.

Lazerio spindulio sulygiavimas

Sulygiuokite ant ruošinio pažymėtą pjovimo liniją su lazerio spinduliu.

► Pav.27

A) Kai norite išgauti tinkamą dydį ruošinio kairėje pusėje, paslinkite lazerio spindulį disko kairėn.

B) Kai norite išgauti tinkamą dydį ruošinio dešinėje pusėje, paslinkite lazerio spindulį disko dešinėn.

PASTABA: Kombinuotajam pjovimui, sulygiuodami pjovimo liniją su lazerio spinduliu, atremkite ruošinį į kreipiamąjį aptvarą (įstrižasis kampas – 45°, šlifavimo kampas iš dešinės – 45°).

SURINKIMAS

⚠ JSPĖJIMAS: Prieš dirbdami įrankiu, visada jį išjunkite ir atjunkite maitinimą. Neišjungus įrankio ir neatjungus jo nuo maitinimo tinklo, galima sunkiai susižeisti.

Šešiabriaunio veržliarakčio laikymas

Nenaudojamą šešiabriaunį veržliarakčį laikykite taip, kaip parodyta paveikslėlyje, kad nepamestumėte.

► Pav.28: 1. Šešiakampis veržliarakštis

Pjūklo disko montavimas arba nuėmimas

⚠ JSPĖJIMAS: Prieš montuodami arba nuimdami diską, visada išjunkite įrankį ir atjunkite jį nuo maitinimo tinklo. Netyčia paleidus įrankį, galima sunkiai susižeisti.

⚠ JSPĖJIMAS: Diskui montuoti arba nuimti naudokite tik „Makita“ veržliasukį. Jeigu nenaudoosite veržliasukio, galite perverti arba nepakankamai priveržti šešiakampių lizdinių galvucių varžtą; dėl to galite būti sunkiai sužaloti.

Nuimdami ir montuodami diską, visada fiksukite atramą į pakeltą padėtį. Patrukite fiksavimo smaigą ir sukite jį 90° kampu su pakelta atrama.

► Pav.29: 1. Atfiksuoja padėtis 2. Užfiksuoja padėtis 3. Fiksavimo smaigas

Disko nuėmimas

Šešiakampiu veržliasukiu atlaisvinkite šešiakampių lizdinių galvucių varžtus, laikančius centrinį gaubtą. Pakelkite disko apsaugą ir atidėkite centrinį gaubtą.

► Pav.30: 1. Centrinis gaubtas 2. Šešiakampis veržliasukis 3. Pjūklo disko apsauginis įtaisas

Norėdami užfiksuoti veleną, įspauskite ašies fiksatorių, šešiakampiu veržliasukiu atlaisvinkite varžtą šešiakampe galvute. Tada ištraukite varžtą šešiakampe galvute, nuimkite išorinę jungę ir diską.

► Pav.31: 1. Ašies fiksatorius 2. Šešiakampis veržliasukis 3. Šešiakampių lizdinių galvucių varžtas (kairysis) 4. Atlaisvinti 5. Priveržti

Disko montavimas

Atsargiai uždėkite diską ant veleno patikrindami, ar ant disko paviršiaus pažymėtos rodyklės kryptis sutampa su ant disko gaubto pažymėtos rodyklės kryptimi.

► Pav.32: 1. Rodyklė ant disko gaubto 2. Rodyklė ant disko

Sumontuokite išorinę jungę ir šešiakampių lizdinių galvucių varžtą. Šešiakampiu veržliasukiu sukite šešiakampių lizdinių galvucių varžtą prieš laikrodžio rodyklę, spausdami ašies fiksatorių.

► Pav.33: 1. Šešiakampių lizdinių galvucių varžtas 2. Išorinė jungė 3. Pjovimo diskas 4. Vidinė jungė 5. Velenas 6. Žiedas

PASTABA: Jeigu nuėmėte vidinę jungę, būtinai vėl ją uždėkite ant veleno, jos iškyšą nukreipkite atokiai nuo disko. Jeigu jungę sumontuosite netinkamai, ji trinsis į stakles.

Gražinkite pjūklo disko apsauginį įtaisą ir centrinį gaubtą į jų pradines padėtis. Tada tvirtai užveržkite šešiakampį varžtą, laikančią centrinį gaubtą, sukdami pagal laikrodžio rodyklę. Atfiksukite fiksavimo smaigą, kad atrama būtų atlaisvinta iš pakeltos padėties. Norėdami įsitikinti, ar pjūklo disko apsauginis įtaisas juda tinkamai, nuleiskite rankenėlę. Prieš pradėdami pjauti patikrinkite, ar ašies fiksatorius atlaisvino ašį.

⚠ JSPĖJIMAS: Prieš uždėdami diską ant veleno visada patikrinkite, ar tarp vidinės ir išorinės jungių uždėtas pasirinktam darbiui tinkamas žiedas, skirtas disko ašies skylei. Naudojant netinkamo skersmens veleno angai skirtą žiedą, diskas gali būti sumontuotas netinkamai, būti per laisvas ir stipriai vibruoti, todėl galima nesuvaldyti įrankio ir sunkiai susižealoti.

Dulkių siurblio prijungimas

Jei norite pjauti užtikrindami švarą, prie įrankio prijunkite „Makita“ dulkių siurbį – ties 24 priekiniais antgaliais (papildomas priedas) naudodami dulkių ištraukimo antgalį.

► Pav.34: 1. 24 priekiniai antgaliai 2. Žarna 3. Dulkių siurblys

Dulkių surinkimo maišelis

Naudojant dulkių maišelį, pjovimo darbai yra švarūs, o dulkes lengva surinkti. Norėdami priveržinti dulkių maišelį, nuimkite dulkių ištraukimo žarną nuo įrankio ir prijunkite dulkių maišelį.

► Pav.35: 1. Dulkių ištraukimo žarna 2. Dulkių maišelis

Kai dulkių maišelis pripildomas maždaug iki pusės, nuimkite jį nuo įrankio ir ištraukite tvirtinimo elementą. Išpilkite maišelio turinį, lengvai jį patapšnodami, kad nukristų visos prie vidinių sienelių prilipusios dalelės, galinčios kliudyti toliau rinkti dulkes.

► Pav.36: 1. Tvirtinimo elementas

Ruošinio pritvirtinimas

▲JSPĖJIMAS: Nepaprastai svarbu visada tinkamai įtvirtinti ruošinį, naudojant tinkamas rūšies spaustuvus arba specialius tvirtinimo elementus. Nesilaikant šio nurodymo, galima sunkiai susižeisti ir sugadinti įrankį ir (arba) ruošinį.

▲JSPĖJIMAS: Baigę pjauti neatkelkite pjūklo disko, kol jis visiškai nesustos. Atkėlus besisukantį diską, galima sunkiai susižeisti ir sugadinti ruošinį.

▲JSPĖJIMAS: Pjaunant ruošinį, ilgesnį už atraminis pjovimo įrankio pagrinda, jį reikia atremti per visą jo ilgį, esantį už atraminio pagrindo, tame pačiame aukštyje, kad ruošinys būtų horizontalus. Tinkama ruošinio atrama padės išvengti disko suspaudimo ruošinyje ir galimos atatrakos, galinčios lemti sunkius sužeidimus. Norėdami pritvirtinti ruošinį, nepamirškite vien tik vertikalius ir (arba) horizontalius spaustuvus. Plonus ruošinys gali įlįnti. Norėdami išvengti pjūklo disko sužnybimo ir galimos ATATRANKOS, paremkite ruošinį per visą jo ilgį.

► **Pav.37:** 1. Atrama 2. Sukiojamas pagrindas

Kreipiamieji aptvarai

▲JSPĖJIMAS: Prieš pradėdami naudoti įrankį, patikrinkite, ar tvirtai užtvirtintas viršutinis aptvaras.

▲JSPĖJIMAS: Prieš pradėdami įstrižai pjovimą, patikrinkite, ar visiškai nuleidus ir keliant rankenėlę į bet kokią padėtį ir iki galo traukiant arba stumiant atramą, įrankio dalys neličia vienos kitų, ypač disko. Jeigu įrankis arba diskas liečia aptvarą, gali įvykti atatranka, arba ruošinys gali netikėtai pasislinkti ir sunkiai sužaloti operatorių.

Naudokite viršutinius aptvarus medžiagai, esančiai aukščiau apatinių aptvarų, prilaikyti. Įstatykite viršutinį aptvarą į kiauromę apatiniame aptvare ir užveržkite suveržimo varžtą.

► **Pav.38:** 1. Viršutinis aptvaras 2. Apatinis aptvaras 3. Suveržimo varžtas 4. Reguliavimo varžtas

PASTABA: Apatiniai aptvarai prie pagrindo fiksuojami gamykloje. Nenuimkite apatinių aptvarų.

PASTABA: Jei užveržus suveržimo varžtą viršutinis aptvaras vis dar nefiksuojamas, sukite reguliavimo varžtą ir uždarykite tarpą. Reguliavimo varžtas sureguliuotas gamykloje. Kol nereikia, jo nenaudokite.

Nenaudojamus viršutinius aptvarus galite laikyti ant laikiklio. Ant viršutinio aptvaro esančiu spaustuku užkabinkite jį ant laikiklio.

► **Pav.39:** 1. Laikiklis 2. Viršutinis aptvaras 3. Spaustukas

Vertikalus spaustuvus

▲JSPĖJIMAS: Atliekant bet kokius veiksmus, ruošinys turi būti gerai pritvirtintas prie sukamojo pagrindo ir kreipiamojo aptvaro spaustuvais. Jeigu ruošinys nėra tinkamai pritvirtintas prie kreiptuvo, pjaunant jis gali pasislinkti ir galbūt sugadinti diską, o šis – nusviesti ruošinį, todėl galima nesuvaldyti įrankio ir sunkiai susižeisti.

► **Pav.40:** 1. Spaustuvo rankena 2. Spaustuvo strypas 3. Suveržimo varžtas 4. Spaustuvo rankena

Vertikalius spaustuvus galima montuoti į dvi padėtis: kairėje arba dešinėje pagrindo pusėje. Įkiškite spaustuvo strypą į pagrindę esančią kiauromę. Nustatykite spaustuvo rankeną pagal ruošinio storį ir formą ir įtvirtinkite ją varždamis varžtą. Jeigu suveržimo varžtas liečia atramą, jį priveržkite priešingoje spaustuvo rankenos pusėje. Patikrinkite, ar visiškai nuleidus rankenėlę jokia įrankio dalis nesiliečia prie spaustuvo. Jeigu kokia nors dalis liečia spaustuvą, pakeiskite spaustuvo padėtį. Prispauskite ruošinį prie kreiptuvo ir pasukite pagrindą. Nustatykite ruošinį į norimą pjovimo padėtį ir užtvirtinkite jį, tvirtai užverždami spaustuvo rankeną.

PASTABA: Norėdami greitai nustatyti ruošinį, sukite spaustuvo rankeną 90° kampu prieš laikrodžio rodyklę – taip ją galėsite judinti aukštyrį ir žemyn. Nustačius ruošinį, norėdami jį įtvirtinti, pasukite spaustuvų rankenėlę pagal laikrodžio rodyklę.

Horizontalus spaustuvus

Pasirenkamas priedas

▲JSPĖJIMAS: Visada sukite spaustuvų veržlę pagal laikrodžio rodyklę, kol ruošinys bus tinkamai įtvirtintas. Jeigu ruošinys nėra tinkamai įtvirtintas, pjaunant jis gali pasislinkti ir galbūt sugadinti diską, o šis – nusviesti ruošinį; dėl to galima nesuvaldyti įrankio ir sunkiai susižeisti.

▲JSPĖJIMAS: Pjaudami ilgus, plonus ruošinius (pvz., grindjuostas), atrėmę juos į kreiptuvą, visada naudokite horizontalius spaustuvus.

▲PERSPĖJIMAS: Pjaudami 20 mm ar plonesnį ruošinį, jį būtina įtvirtinkite skėtikliu.

Horizontalų spaustuvą galima sumontuoti į dvi padėtis: kairėje arba dešinėje pagrindo pusėje. Atlikdami 22,5° arba didesnio kampo įžambų pjovimą, sumontuokite horizontalų spaustuvą priešingoje pusėje nei ta, į kurią ketinama sukti sukiojamą pagrindą.

► **Pav.41:** 1. Spaustuvo plokštė 2. Spaustuvo veržlė 3. Spaustuvo rankena

Pasukant spaustuvų veržlę prieš laikrodžio rodyklę, jie atleidžiami ir greitai juda pirmyn atgal. Norėdami suspausti ruošinį, stumkite spaustuvo rankenėlę į priekį, kol spaustuvo plokštelė palies ruošinį, tada sukite spaustuvo veržlę pagal laikrodžio rodyklę. Tada sukite spaustuvo rankeną pagal laikrodžio rodyklę, kad užtvirtintumėte ruošinį.

PASTABA: Horizontaliu spaustuviu galima suspausti ruošinį, kurio didžiausias plotis 228 mm.

Laikikliai

⚠️ JSPĖJIMAS: Norėdami, kad pjūvis būtų tikslus, ir siekdami apsisaugoti nuo pavojingo įrankio kontrolės praradimo, ilgus ruošinius visada atremkite, kad jie būtų horizontalūs sukiojamo pagrindo viršutiniams paviršiumi. Tinkama ruošinio atrama padės išvengti disko suspaudimo ruošinyje ir galimos atatrankos, galinčios lemti sunkius sužeidimus.

Abiejose įrankio pusėse yra laikikliai, jie reikalingi, kad ilgi ruošiniai būtų laikomi horizontaliai. Atlaisvinkite varžtus ir iššukite laikiklius iki ilgio, tinkamo ruošiniui prilaikyti. Tada užveržkite varžtus.

► **Pav.42:** 1. Laikiklis 2. Varžtas

NAUDOJIMAS

⚠️ JSPĖJIMAS: Prieš įjungdami įrankį įsitinkite, ar diskas neličia ruošinio ir pan. Įjungus įrankį, kai jo diskas liečia ruošinį, gali įvykti atatranka ir galima sunkiai susižeisti.

⚠️ JSPĖJIMAS: Pabaigę pjauti, neatkelkite pjovimo disko tol, kol jis visiškai nustos. Atkėlus besisukantį diską, galima sunkiai susižeisti ir sugadinti ruošinį.

⚠️ JSPĖJIMAS: Kol diskas sukasi, neatlikite jokių reguliavimo darbų, pvz., nesukite rankenos, rankenėlės ir įrankio svirčių. Reguluojant, kol diskas sukasi, galima sunkiai susižaloti.

PASTABA: Prieš naudodami būtinai atfiksukite fiksavimo smaigą ir atleiskite rankenėlę iš nuleistos padėties.

PASTABA: Pjaudami per daug nespaukite rankenėlės. Per didelė jėga gali sukelti variklio perkrovą ir (arba) sumažinti pjovimo efektyvumą. Spauskite rankenėlę žemyn tik tokia jėga, kokios reikia sklandžiai pjauti, ir smarkiai nedidinkite disko sukimosi greičio.

PASTABA: Norėdami atlikti pjūvį, atsargiai nuspaukite rankenėlę žemyn. Jeigu nuspausite rankenėlę jėga arba naudosite šoninę jėgą, diskas pradės vibruoti ir paliks ant ruošinio žymes (pjovimo žymes), todėl pjūvio tikslumas bus prastas.

PASTABA: Atlikdami slenkamą pjūvį atsargiai nesustodami stumkite atramą kreiptuvo link. Jeigu pjaunant atramos judėjimas sustabdomas, ant ruošinio liks žymė ir pjūvis bus netikslus.

Pjovimas, naudojant spaudimą

⚠️ JSPĖJIMAS: Kai pjaunate spausdami, užfiksukite apsaugą, kad ji negalėtų slankioti. Pjaunant be užrakto gali įvykti atatranka, galinti lemti sunkių sužalojimų.

92 mm aukščio ir 183 mm pločio ruošinius galima pjauti tokiu būdu.

► **Pav.43:** 1. Fiksavimo smaigas

1. Spauskite atramą kreiptuvo kreiptuvo link, kol jis sustos, tada jį fiksukite fiksavimo smaigu.
2. Nuspaukite ruošinį tinkamos rūšies spaustuvais.
3. Įjunkite įrankį (pjovimo diskas neturi liesti ruošinio) ir, prieš nuleisdami diską, palaukite, kol jis pradės sukintis visu greičiu.
4. Po to atsargiai iki galo žemyn nuleiskite rankenėlę ir pradėkite pjauti ruošinį.
5. Baigę pjauti, išjunkite įrankį ir, prieš grąžindami diską į viršutinę padėtį, palaukite, kol jis visiškai nustos sukintis.

Pjovimas slenkant (stumiant) ruošinį (plačių ruošinių pjovimas)

⚠️ JSPĖJIMAS: Atlikdami pjovimą slenkant, pirmiausia iki galo patraukite suportą savęs link ir nuspaukite rankenėlę į žemiausią padėtį, po to stumkite suportą kreiptuvo link. Niekada nepradėkite pjauti iki galo nepatraukę suporto savęs link. Jeigu pradėsite pjauti iki galo nepatraukę suporto savęs link, gali įvykti atatranka, kuri gali sąlygoti sunkų sužeidimą.

⚠️ JSPĖJIMAS: Niekada nebandykite atlikti pjūvį slinkdami, traukdami suportą savęs link. Pjovimo metu traukiant suportą savęs link, gali netikėtai įvykti atatranka, kuri gali sąlygoti sunkų sužeidimą.

⚠️ JSPĖJIMAS: Niekada nepjunkite slinkdami, jeigu rankenėlė užfiksuoja žemiausioje padėtyje.

► **Pav.44:** 1. Fiksavimo smaigas

1. Atlaisvinkite fiksavimo smaigą, kad galėtumėte lengvai slinkti atramą.
2. Nuspaukite ruošinį tinkamos rūšies spaustuvais.
3. Iki galo savęs link patraukite suportą.
4. Įjunkite įrankį (pjovimo diskas neturi liesti ruošinio) ir palaukite, kol jis pradės sukintis visu greičiu.
5. Nuspaukite rankenėlę ir stumkite suportą kreiptuvo link ir pjaukite ruošinį.
6. Baigę pjauti, išjunkite įrankį ir, prieš grąžindami diską į viršutinę padėtį, palaukite, kol jis visiškai nustos sukintis.

Įžambus pjovimas

Žr. anksčiau aprašytą skyrių „Įžambaus kampo nustatymas“.

Istrižasis pjovimas

⚠️ JSPĖJIMAS: Nustatę diską įstrižajam pjūviui, prieš naudodami įrankį visada patikrinkite, ar atrama ir pjūklų diskas nevaržomai juda visose pjūvio ribose. Jeigu pjaunant atramos arba disko judėjimas bus sutrikdytas, gali įvykti atatranka, galinti sukelti sunkių sužalojimų.

⚠️ JSPĖJIMAS: Atlikdami įstrižuosius pjūvius, laikykite rankas atokiai nuo disko judėjimo kelio. Diskas gali judėti kitokiai nei įprasta kampu ir supainioti operatorių, o prisilietus prie pjovimo disko, galima sunkiai susižeisti.

⚠️ JSPĖJIMAS: Pjovimo disko negalima atkelti tol, kol jis visiškai nesustos. Atliekant įstrižą pjūvį, nupjautoji ruošinio dalis gali atsiremti į diską. Jeigu diskas pakeliamas, kai dar sukasi, jis gali sviesti nupjautą dalį ir suskaldyti medžiagą į atplaišas, kurios gali sunkiai sužeisti.

PASTABA: Nuspausdami rankenėlę žemyn, kartu spauskite ir pjūklų diską. Jeigu jėga naudojama statmenai sukiojamam pagrindui arba jeigu spaudimo kryptis pjaunant pasikeičia, pjūvis bus netikslus.

► Pav.45

1. Nuimkite viršutinį aptvarą toje pusėje, kur ketinate pakreipti atramą.
2. Atfiksukite fiksavimo smaigą.
3. Sureguliuokite įstrižąjį kampą, laikydamiesi skyriuje „Istrižojo kampo reguliavimas“ paaiškintos procedūros. Tada užveržkite rankenėlę.
4. Suspauskite ruošinį spaustuvais.
5. Iki galo savęs link patraukite suportą.
6. Įjunkite įrankį (pjovimo diskas neturi liesti ruošinio) ir palaukite, kol jis pradės sukstis visu greičiu.
7. Atsargiai nuleiskite rankenėlę į žemiausią padėtį, tuo pačiu metu lygiagrečiai spausdami pjovimo diską ir norėdami pradėti pjauti ruošinį, stumkite suportą kreiptuvo link.
8. Baigę pjauti, išjunkite įrankį ir, prieš grąžindami diską į viršutinę padėtį, palaukite, kol jis visiškai nustos sukstis.

Kombinuotasis pjovimas

Kombinuotasis pjovimas – tai procesas, kai ruošinys tuo pačiu metu pjaunamas įstrižu ir įžambiu kampais. Kombinuotąjį pjovimą galima atlikti lentelėje nurodytais kampais.

Nuožulnus kampas	Įstrižasis kampas
Kairėje ir dešinėje 0° – 45° kampas	Kairėje ir dešinėje 0° – 45° kampas

Atlikdami kombinuotąjį pjovimą, žr. paaiškinimus skyriuose „Pjovimas, naudojant spaudimą“, „Pjovimas slenkant (stumiant)“, „Įžambus pjovimas“ ir „Įstrižasis pjovimas“.

Grindjuosčių pjovimas

⚠️ PERSPĖJIMAS: Pjaudami grindjuostę būtinai naudokite horizontalų spaustuvą (pasirenkamas priedas).

⚠️ PERSPĖJIMAS: Pjaudami 20 mm ar plonesnį ruošinį, jį būtinai įtvirtinkite skėtikliu.

Pjaudami grindjuostę 45° įžambiu kampu, užfiksukite fiksavimo svirtį, kad disko gaubtas neliestų grindjuostės. Taip išlaikysite tarpą tarp grindjuostės ir disko gaubto, kai stabdžių apkaba nustumta iki galo į priekį. Dėl grindjuosčių pjovimo pajėgumo žr. TECHNINĖSE SĄLYGOSE.

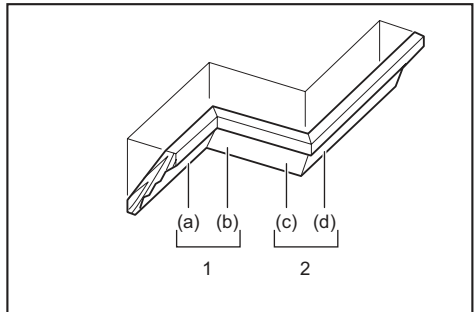
- **Pav.46:** 1. Fiksavimo svirtelė 2. Skėtiklis
3. Horizontalus spaustuvas

Dekoratyviųjų ir skliautinių karnizų pjovimas

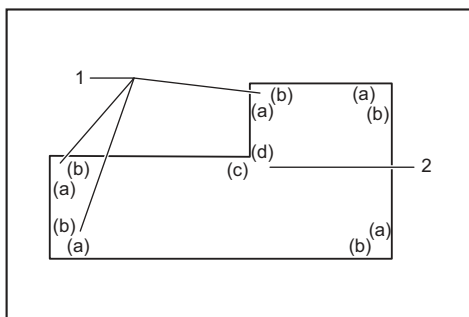
Dekoratyvinius ir skliautinius lubų karnizus galima išpjauti kombinuotu skersavimo ir kampų suleidimo pjūklų, padėjus karnizus ant sukiojamo pagrindo. Paprastai naudojami dviejų tipų dekoratyviniai karnizai ir vieno tipo skliautiniai karnizai: 52/38° kampų tarp sienos ir lubų dekoratyviniai karnizai, 45° kampo tarp sienos ir lubų karnizai bei 45° kampo tarp sienos ir lubų skliautiniai karnizai.

- **Pav.47:** 1. 52/38° tipo dekoratyviniai karnizai 2. 45° tipo dekoratyviniai karnizai 3. 45° tipo skliautiniai karnizai

Gali būti naudojamos dekoratyviųjų ir skliautinių karnizų jungtys, kurios pagamintos taip, kad tilptų „vidiniuose“ 90° kampuose ((a) ir (b) paveikslėliuose) ir „išoriniuose“ 90° kampuose ((c) ir (d) paveikslėliuose).



1. Vidinis kampas 2. Išorinis kampas



1. Vidinis kampas 2. Išorinis kampas

Matavimai

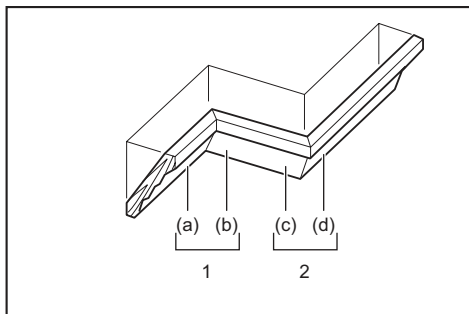
Išmatuokite sienelės plotį, tuomet pagal jį pakoreguokite ruošinio plotį. Visada įsitikinkite, ar ruošinio sienelės sąlyčio krašto plotis sutampa su sienelės ilgiu.

► **Pav.48:** 1. Ruošinytis 2. Sienelės plotis 3. Ruošinio plotis 4. Sienelės sąlyčio kraštas

Pradžioje visuomet atlikite kelis bandomuosius pjūvius ant atliekamų ruošinių, kad nustatytumėte pjovimo kampus.

Pjaudami dekoratyvinius ir skliautinius lubų karnizus, nustatykite įstrižus ir nuožambius kampus, kaip nurodyta lentelėje (A), ir dėkite karnizus ant pjūklo pagrindo, kaip nurodyta lentelėje (B).

Kairysis įstrižas pjūvis



1. Vidinis kampas 2. Išorinis kampas

Lentelė (A)

–	Karnizo padėtis paveikslėlyje	Įstrižasis kampas		Nuožulnis kampas	
		52/38° tipas	45° tipas	52/38° tipas	45° tipas
Vidiniam kampui	(a)	Kairėje 33,9°	Kairėje 30°	Dešinėje 31,6°	Dešinėje 35,3°
	(b)			Kairėje 31,6°	Kairėje 35,3°
Išoriniam kampui	(c)			Dešinėje 31,6°	Dešinėje 35,3°
	(d)				

Lentelė (B)

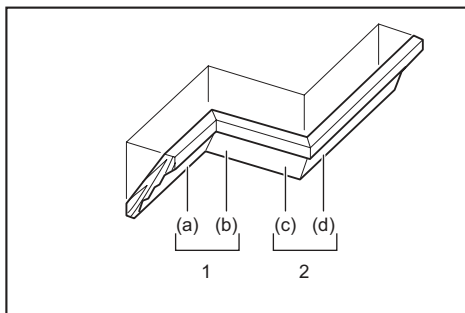
–	Karnizo padėtis paveikslėlyje	Karnizo kampas pagal kreiptuvo aptvarą	Užbaigta dalis
Vidiniam kampui	(a)	Lubų sąlyčio kraštas turėtų būti priešais kreiptuvo aptvarą.	Užbaigta dalis bus kairėje disko pusėje.
	(b)	Sienos sąlyčio kraštas turėtų būti priešais kreiptuvo aptvarą.	
Išoriniam kampui	(c)	Lubų sąlyčio kraštas turėtų būti priešais kreiptuvo aptvarą.	Užbaigta dalis bus dešinėje disko pusėje.
	(d)	Lubų sąlyčio kraštas turėtų būti priešais kreiptuvo aptvarą.	

Pavyzdys:

Atlikdami 52/38° tipo dekoratyvinio karnizo pjūvį pagal padėtį (a) paveikslėlyje, pateiktame pirmiau:

- Pakreipkite ir užtvirtinkite įstrižo kampo nustatymą ties 33,9° KAIRIUOJU kampu.
- Nustatykite ir užtvirtinkite nuožambaus kampo nustatymą ties 31,6° DEŠINIUOJU kampu.
- Dėkite dekoratyvinį karnizą jo lentos galinės pusės (paslėptu) paviršiumi ant sukiojamo pagrindo, jo LUBAS LIEČIANTĮ KRAŠTĄ atrėmę į pjūklo kreiptuvą.
- Atlikus pjūvį, užbaigta naudojama dalis visuomet bus KAIRĖJE disko pusėje.

Jei atliekamas dešinysis įstrižasis pjūvis



1. Vidinis kampas 2. Išorinis kampas

Lentelė (A)

–	Karnizo padėtis paveikslėlyje	Istrižasis kampas		Nuožulnus kampas	
		52/38° tipas	45° tipas	52/38° tipas	45° tipas
Vidiniam kampui	(a)	Dešinėje 33,9°	Dešinėje 30°	Dešinėje 31,6°	Dešinėje 35,3°
	(b)			Kairėje 31,6°	Kairėje 35,3°
Išoriniam kampui	(c)			Dešinėje 31,6°	Dešinėje 35,3°
	(d)				

Lentelė (B)

–	Karnizo padėtis paveikslėlyje	Karnizo kampas pagal kreiptuvo aptvarą	Užbaigta dalis
Vidiniam kampui	(a)	Sienos sąlyčio kraštas turėtų būti priešais kreiptuvo aptvarą.	Baigta dalis bus dešinėje disko pusėje.
	(b)	Lubų sąlyčio kraštas turėtų būti priešais kreiptuvo aptvarą.	
Išoriniam kampui	(c)	Sienos sąlyčio kraštas turėtų būti priešais kreiptuvo aptvarą.	Baigta dalis bus kairėje disko pusėje.
	(d)	Sienos sąlyčio kraštas turėtų būti priešais kreiptuvo aptvarą.	

Pavyzdys:

Atlikdami 52/38° tipo dekoratyvinio karnizo pjūvį pagal padėtį (a) paveikslėlyje, pateiktame pirmiau:

- Pakreipkite ir užtvirtinkite įstrižo kampo nustatymą ties 33,9° DEŠINIUOJU kampu.
- Nustatykite ir užtvirtinkite nuožambaus kampo nustatymą ties 31,6° DEŠINIUOJU kampu.
- Dėkite dekoratyvinį karnizą jo lentos galinės pusės (paslėptu) paviršiumi ant sukiojamo pagrindo, jo SIENA LIEČIANTĮ KRAŠTĄ atrėmę į pjūko kreiptuvą.
- Atlikus pjūvį, baigta ir naudoti skirta dalis visada bus DEŠINĖJE disko pusėje.

Lubų apdailos juostų fiksatorius

Pasirenkamas priedas

Lubų apdailos juostoms pjauti skirti fiksatoriai leidžia jas lengviau išpjauti nepakreipiant pjūko disko. Sumontuokite juos ant sukiojamo pagrindo, kaip parodyta paveikslėliuose.

45° dešiniuoju įžambiuoju kampu

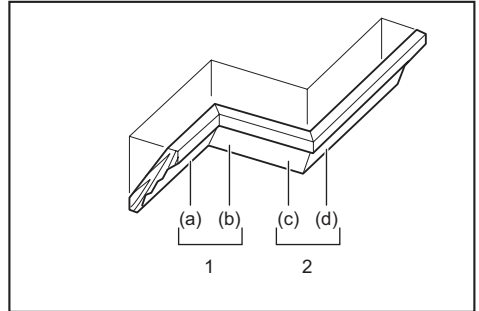
- **Pav.49:** 1. Lubų apdailos juostų fiksatorius „L“
2. Lubų apdailos juostų fiksatorius „R“
3. Sukiojamas pagrindas 4. Kreipiamasis aptvaras

45° kairiuoju įžambiuoju kampu

- **Pav.50:** 1. Lubų apdailos juostų fiksatorius „L“
2. Lubų apdailos juostų fiksatorius „R“
3. Sukiojamas pagrindas 4. Kreipiamasis aptvaras

Lubų apdailos juostą dėkite SIENA LIEČIANTĮ KRAŠTĄ atrėmę į kreipiamąjį aptvarą, o LUBAS LIEČIANTĮ KRAŠTĄ atrėmę į lubų apdailos juostoms pjauti skirtus fiksatorius, kaip parodyta paveikslėlyje. Pareguliuokite lubų apdailos juostoms pjauti skirtus fiksatorius pagal apdailos juostos dydį. Užveržkite varžtus, kad užfiksuotumėte lubų apdailos juostų pjovimo fiksatorius. Kaip nustatyti įžambųjį kampą, žr. lentelę (C).

- **Pav.51:** 1. Kreipiamasis aptvaras 2. Lubų apdailos juostų fiksatorius



1. Vidinis kampas 2. Išorinis kampas

Stalas (C)

–	Juostos padėtis paveikslėlyje	Įžambusis kampas	Baigta dalis
Vidiniam kampui	(a)	Dešinėje 45°	Saugokite disko dešiniąją pusę
	(b)	Kairėje 45°	Saugokite disko kairiąją pusę
Išoriniam kampui	(c)		Saugokite disko dešiniąją pusę
	(d)	Dešinėje 45°	Saugokite disko kairiąją pusę

Forminių aliuminio ruošinių pjovimas

- **Pav.52:** 1. Spaustuvas 2. Skėtiklis 3. Kreipiamasis aptvaras 4. Aluminiuoju ruošinys 5. Skėtiklis

Forminiams aliuminio ruošiniams pritvirtinti naudokite atramines trinkeles arba metalo gabalėlius, kaip parodyta piešinyje, kad aliuminius nesideformuotų. Pjaudami forminius aliuminio ruošinius, naudokite pjovimo tepalą, kad prie disko nepriliptų aliuminio dalelių.

⚠️ ĮSPĖJIMAS: Niekada nebandykite pjauti storų arba apvalių aliuminio profilių. Storus arba apvalius aliuminio profilius gali būti sunku įtvirtinti, todėl pjau-nant jie gali atsilaisvinti, tada kiltų pavojus nesuvaldyti įrankio ir sunkiai susižeisti.

Medžio apsauga

⚠️ JSPĖJIMAS: Medžio apsaugą prie kreiptuvo prisukite varžtais. Varžtai turi būti įsukti taip, kad jų galvutės nekyšotų iš medžio apsaugos ir netrukdytų padėti ruošinį, kuris bus pjaunamas. Pjovimo metu pjaunamam ruošiniui netikėtai pasislinkus, galima netekti kontrolės ir sunkiai susižeisti.

⚠️ PERSPĖJIMAS: Kaip medžio apsaugą naudokite tiesią, vienodo storio medžio juostelę.

⚠️ PERSPĖJIMAS: Norint visiškai perpjauti 107 mm–120 mm aukščio ruošinius, į kreipiamąjį aptvarą reikia atremti medžio apsaugą. Medžio apsauga atitrauks ruošinį nuo kreiptuvo, kad diskas galėtų atlikti gilesnį pjūvį.

PASTABA: Pritvirtinę apsaugą, nesukite sukiojamo pagrindo, kai rankenėlė nuleista. Sugadinsite pjovimo diską ir (arba) medžio apsaugą.

Naudojant medžio apsaugą, ruošiniai pjaunami be nuolaužų. Pritvirtinkite medžio apsaugą prie kreipiamojo aptvaro, įkišdami ją į kreipiamojo aptvaro angas ir įsukdami 6 mm varžtus.

Piešinyje pavaizduoti rekomenduojami medžio apsaugų dydžiai.

► **Pav.53:** 1. Anga 2. Daugiau kaip 15 mm 3. Daugiau kaip 270 mm 4. 90 mm 5. 145 mm 6. 19 mm 7. 115–120 mm

PAVYZDYS Pjudami 115 mm ir 120 mm aukščio ruošinius, naudokite tokio storio medžio apsaugas.

Įžambusis kampas	Medžio apsaugos storis	
	115 mm	120 mm
0°	20 mm	38 mm
Kairėje ir dešinėje 45°	15 mm	25 mm
Kairėje ir dešinėje 60°	15 mm	25 mm

Griovelio išpjovimas

⚠️ JSPĖJIMAS: Nebandykite atlikti šio tipo pjūvių, naudodami platesnius arba frezavimo diskus. Bandant išpjauti griovelį platesniu disku arba frezavimo disku, gali įvykti netikėta atatranka, kuri gali sąlygoti sunkų sužeidimą.

⚠️ JSPĖJIMAS: Atlikdami kitus nei griovelių išpjovimo pjūvius, būtinai sugražinkite fiksavimo svirtį į pradinę padėtį. Bandant atlikti pjūvius, kai fiksavimo svirtis yra netinkamoje padėtyje, pjūviai gali būti netikslūs ir gali įvykti netikėta atatranka, sąlygojanti sunkų sužeidimą.

Atlikdami panelio tipą, elkitės taip:

1. reguliavimo varžtu ir fiksavimo rankenėle nustatykite apatinę pjovimo disko ribą, kad apribotumėte disko pjovimo gylį. Žr. anksčiau aprašytą skyrių „Fiksavimo rankenėlė“;

2. nustatę apatinę ribinę disko padėtį, slinkdami (stumdami) pjaukite lygiagrečius griovelius skersai per visą ruošinio plotį.

► **Pav.54:** 1. Griovelių pjovimas disku

3. Kaltuku išvalykite grioveliuose likusią medieną.

Specialaus maks. pločio pjūvio atlikimo būdas

Maksimalaus pločio pjūvį šiuo įrankiu galima padaryti atlikus šiuos žingsnius:

Kaip šiuo įrankiu atlikti maksimalaus pločio pjūvį, žr. TECHNINIŲ SĄLYGŲ skyriaus skirsnį „Specialiųjų pjūvių pjovimo pajėgumas“.

1. Nustatykite įrankį ties 0° arba 45° įžambiu kampu ir įsitinkinkite, kad sukiojamas pagrindas yra užfiksuotas. (Žr. skyrių „Įžambaus kampo nustatymas“.)

2. Laikiniai nuimkite kairįjį ir dešinįjį viršutinius kreiptuvus ir padėkite juos šalia.

3. Nupjaukite pagrindą tiek, kiek parodyta paveikslėlyje, naudodami 38 mm storio plokščios medžiagos, pavyzdžiui, medienos, klijtuotos faneros arba lentos galą.

► **Pav.55:** 1. 0° įžambusis kampas: Daugiau kaip 450 mm 2. 45° įžambusis kampas: Daugiau kaip 325 mm 3. 38 mm 4. Daugiau kaip 760 mm

⚠️ JSPĖJIMAS: Būtinai naudokite plokščią ruošinį kaip platformą. Neplokščias ruošinys pjovimo metu gali pajudėti ir sukelti atatranką bei sunkiai sužeisti.

PASTABA: Maksimalus pjūvio aukštis sumažės tokiu dydžiu, koks yra platformos storis.

4. Dėkite pagrindą ant įrankio taip, kad jis vienodai kyšotų iš abiejų įrankio pagrindo pusių. Pritvirtinkite platformą prie įrankio, naudodami keturis 6 mm ilgio medvaržčius, įkišę juos į keturias angas, esančias apatinuose kreiptuvuose.

► **Pav.56:** 1. Varžtai (po du kiekvienoje pusėje)
2. Apatinis aptvaras 3. Pagrindas
4. Platforma

⚠️ JSPĖJIMAS: Įsitinkinkite, kad platforma lygiai guli ant įrankio pagrindo ir yra tvirtai priveržta prie apatinių kreiptuvų keturiais varžtais, įkištais į keturias angas. Platformos tinkamai nepritvirtinus, ji gali pajudėti, sukelti atatranką ir sunkiai sužeisti.

⚠️ JSPĖJIMAS: Užtikrinkite, kad įrankis būtų tvirtai sumontuotas ant stabilaus, lygaus paviršiaus. Netinkamai sumontavus ar nepritvirtinus įrankio, jis gali būti nestabilus ir dėl to galima prarasti kontrolę ir (arba) įrankis gali nukristi ir sunkiai sužeisti.

5. Sumontuokite ant įrankio viršutinius kreiptuvus.

⚠️ JSPĖJIMAS: Nenaudokite įrankio nesumontavę ant jo viršutinių kreiptuvų. Viršutiniai kreiptuvai skirti užtikrinti tinkamą atramą ruošiniui pjauti. Jeigu ruošinys nėra tinkamai atremtas, jis gali pajudėti ir sukelti atatranką, todėl galima prarasti kontrolę ir sunkiai susižeisti.

6. Dėkite ruošinį, kurį pjausite, ant platformos, pritvirtintos prie įrankio.

7. Prieš pradėdami pjauti, tvirtai pritvirtinkite ruošinį spaustuviu prie viršutinių kreiptuvų.

► **Pav.57:** 1. Viršutinis aptvaras 2. Vertikalus spaustuvas 3. Ruošiny 4. Platforma

8. Lėtai pjaukite ruošinį, kaip nurodyta skyriuje „Pjovimas slenkant (stumiant) ruošinį (plačių ruošinių pjovimas)“.

▲JSPĖJIMAS: Būtinai įtvirtinkite ruošinį spaustuviu ir pjaukite lėtai. Kitaip ruošiny gali pajudėti ir sukelti atatrąnką bei sunkiai sužeisti.

▲JSPĖJIMAS: Atkreipkite dėmesį, kad atlikus kelis pjūvius įvairiais įžambiais kampais, platforma gali atsilaisvinti. Jeigu platforma atsilaisvina dėl daugybinių prakirtimų, likusių medžiagoje, platformą reikia pakeisti. Jeigu atsilaisvinusi platforma nebus pakeista, ruošiny pjovimo metu gali pasislinkti, sukelti atatrąnką ir sunkiai sužeisti.

Įrankio nešimas

Prieš nešdami būtinai atjunkite ir fiksuo­kite visas įžambias pjaunančio pjūklo judamąsias dalis. Visada patikrinkite:

- Įrankis yra atjungtas nuo tinklo.
- Atrama yra nustatyta į 0° įžambiojo kampo padėtį ir fiksuojama.
- Atrama yra nuleista ir fiksuojama.
- Atrama yra visiškai nustumta kreipiamojam aptvaro link ir užfiksuota.
- Sukiojamas pagrindas yra nustatytas į visišką dešiniojo įžambiojo kampo padėtį ir fiksuojamas.
- Laikikliai yra laikomi ir fiksuojami.

Įrankį neškite laikydami už pagrindo, iš abiejų pusių, kaip parodyta piešinyje.

► **Pav.58**

▲JSPĖJIMAS: Atramai pakelti naudojamas fiksavimo smaigas skirtas tik įrankiui nešti ir apsaugoti, juo negalima pjauti. Naudojant fiksavimo smaigą pjovimo darbams, pjūklo diskas gali netikėtai pajudėti, sukelti atatrąnką ir sunkiai sužeisti.

▲PERSPĖJIMAS: Prieš nešdami įrankį, būtinai užtvirtinkite visas judamąsias dalis. Jeigu nešant įrankį kuri nors jo dalis pajudės arba pasislinks, galima netekti pusiausvyros arba nesuvaldyti įrankio ir susižeisti.

TECHNINĖ PRIEŽIŪRA

▲JSPĖJIMAS: Prieš pradėdami įrankio tikrinimo arba techninės priežiūros darbus, visada išjunkite įrankį ir atjunkite jį nuo maitinimo tinklo. Neišjungus įrankio ir neatjungus jo nuo maitinimo tinklo, galima sunkiai susižeisti, jei įrankis atsitiktinai įsijungtų.

▲JSPĖJIMAS: Siekdami geriausių rezultatų ir saugiausio darbo, visuomet įsitikinkite, ar diskas yra aštrus ir švarus. Bandant pjauti atbukusiu ir (arba) nešvariu disku, gali įvykti atatrąnka, sąlygojanti sunkų sužeidimą.

PASTABA: Niekada nenaudokite gazolino, benzino, tirpiklio, spirito arba panašių medžiagų. Gali atsirasti išblukimų, deformacijų arba įtrūkimų.

Pjovimo kampo nustatymas

Šis įrankis gamykloje buvo kruopščiai nustatytas ir sulygiuotas, tačiau jo neprižiūrint, sulygiavimas gali išsireguliuoti. Jeigu įrankis sulygiuotas netinkamai, atlikite tokius veiksmus:

Nuožulnus kampas

Visiškai nuleiskite rankenėlę ir fiksavimo smaigu užfiksuokite ją apačioje. Stumkite atramą kreipiamojam aptvaro link. Atlaisvinkite rankeną ir varžtus, kuriais fiksuojama rodyklė ir įžambiojo kampo skalė.

► **Pav.59:** 1. Varžtas ant rodyklės 2. Varžtai įžambiojo kampo skalėje 3. Įžambiojo kampo skalė

Naudodami teigiamo kampo užfiksavimo funkciją, sukiojamą pagrindą nustatykite į 0° padėtį. Trikampėje linuotėje ar kampainiu nustatykite statų kampą disko šono ir kreipiamojam aptvaro paviršiaus atžvilgiu. Išlaikydami statų kampą, priveržkite varžtus ant įžambiojo kampo skalės. Tada sulygiuokite rodyklės (dešiniąją ir kairiąją) su 0° padėtimi įžambiojo kampo skalėje ir priveržkite varžtą ant rodyklės.

► **Pav.60:** 1. Trikampė linuotė

Įstrižasis kampas

0° įstrižumo kampas

Spauskite atramą kreipiamojam aptvaro link, tada, kad neslankiotų, ją fiksuokite fiksavimo smaigu. Visiškai nuleiskite rankenėlę ir fiksavimo smaigu užfiksuokite ją apačioje, tada atlaisvinkite. Sukite 0° kampo reguliavimo varžtą 2–3 pasukimus prieš laikrodžio rodyklę, kad pakreiptumėte diską dešinėn.

► **Pav.61:** 1. 0° kampo reguliavimo varžtas 2. Varžtas

Tiksliai nustatykite disko kraštą ir sukiojamo pagrindo paviršių stačiu kampu, naudodami trikampę linuotę, kampainį ir t.t., pagal laikrodžio rodyklę sukdami 0° kampo reguliavimo varžtą. Tada tvirtai užveržkite rankenėlę ir fiksuokite nustatytą 0° kampą.

► **Pav.62:** 1. Trikampė linuotė 2. Pjūklo diskas 3. Sukiojamo pagrindo viršutinis paviršius

Dar kartą patikrinkite, ar disko šonas yra statmenas sukiojamojo pagrindo paviršiui. Atsukite rodyklės varžtą. Sulygiuokite rodyklę su 0° kampo padėtimi įžambiojo kampo skalėje, tada priveržkite varžtą.

45° įstrižumo kampas

PASTABA: Prieš reguliuodami 45° įstrižąjį kampą, pirmiausia nustatykite 0° įstrižąjį kampą.

Atlaisvinkite rankenėlę ir visiškai pakreipkite atramą į norimą patikrinti šoną. Patikrinkite, ar rodyklė rodo 45° kampą įstrižojo kampo skalėje.

► **Pav.63**

Jei rodyklė nerodo 45° kampo padėties, sulygiuokite ją su 45° kampo padėtimi, sukdami reguliavimo varžtą priešingoje įstrižojo kampo skalės pusėje.

► **Pav.64:** 1. Kairysis 45° kampo reguliavimo varžtas
2. Dešinysis 45° kampo reguliavimo varžtas

Lazerio spindulio padėties reguliavimas

Tik modeliui LS1219L

⚠️ISPĖJIMAS: Reguluojant lazerio spindulį, įrankis turi būti prijungtas. Būkite itin atsargūs, kad reguliuodami neįjungtumėte įrankio. Netyčia paleidus įrankį, galima sunkiai susižeisti.

⚠️PERSPĖJIMAS: Niekada nežiūrėkite tiesiai į lazerio spindulį. Žiūrint tiesiai į spindulį, akys gali būti sunkiai pažeistos.

PASTABA: Reguliariai tikrinkite, ar lazerio linijos padėtis yra tiksli.

PASTABA: Nepamirškite, kad tai veikia įrankį. Lazerio spindulys gali nukrypti arba lazeris gali būti pažeistas, todėl sutrumpės jo naudojimo laikas.

PASTABA: Sugedus lazerio blokui, atiduokite įrankį remontuoti įgaliojamam „Makita“ techninio aptarnavimo centrui.

Keičiamą lazerio spindulio diapazoną galima sureguliuoti abiejose pusėse esančiais diapazono reguliavimo varžtais. Norėdami keisti lazerio spindulio padėtį, atlikite šias procedūras.

1. Atjunkite įrankį nuo maitinimo tinklo.
2. Ant ruošinio nubrėžkite pjovimo liniją ir padėkite rošinį ant sukiojamo pagrindo. Dar netvirtinkite ruošinio spaustuvas arba panašiais tvirtinimo įrengimais.
3. Nuleiskite rankeną ir sulygiuokite pjovimo liniją su pjūklo disku.
4. Gražinkite rankeną į pradinę padėtį ir užfiksukite rošinį vertikaliu spaustuvu, kad jis nepajudėtų iš nustatytos vietos.
5. Prijunkite įrankį prie maitinimo tinklo ir įjunkite lazerį.
6. Atlaisvinkite reguliavimo varžtą. Norėdami nutolini lazerio spindulį nuo disko, sukite diapazono reguliavimo varžtus prieš laikrodžio rodyklę. Norėdami priartinti lazerio spindulį prie disko, sukite diapazono reguliavimo varžtą pagal laikrodžio rodyklę.

Lazerio spindulio nustatymas į kairę pusę nuo disko

► **Pav.65:** 1. Reguliavimo varžtas 2. Diapazono reguliavimo varžtas 3. Šešiakampis veržliasukis 4. Lazerio spindulys 5. Pjūklo diskas

Lazerio spindulio nustatymas į dešinę pusę nuo disko

► **Pav.66:** 1. Reguliavimo varžtas 2. Diapazono reguliavimo varžtas 3. Šešiakampis veržliasukis 4. Lazerio spindulys 5. Pjūklo diskas

7. Stumkite reguliavimo varžtą į vietą, kurioje lazerio spindulys užėina ant pjovimo linijos, tada priveržkite.

PASTABA: Keičiamas lazerio spindulio diapazonas nustatytas gamykloje 1 mm atstumu nuo šoninio pjūklo disko paviršiaus.

Lazerio šviesos lęšio valymas

Tik modeliui LS1219L

Lazerio spindulį tampa sunku žiūrėti, nes lazerio šviesos lęšis yra nešvarus. Reguliariai nuvalykite lazerio šviesos lęšį.

► **Pav.67:** 1. Varžtas 2. Lęšis

Atjunkite įrankį nuo maitinimo tinklo. Atlaisvinkite varžtą ir ištraukite lęšį. Drėgna minkšta šluoste švelniai nuvalykite lęšį.

PASTABA: Neišsukite lęšį tvirtinančio varžto. Jei lęšis nenusiima, varžtą atlaisvinkite dar labiau.

PASTABA: Lęšių negalima valyti tirpikliais arba valikliais, pagamintais naftos pagrindu.

Anglinių šepetėlių keitimas

► **Pav.68:** 1. Ribos žymė

Reguliariai išimkite ir patikrinkite anglinius šepetėlius. Pakeiskite juos, kai nusidėvi iki ribos žymės. Pasirūpinkite, kad angliniai šepetėliai būtų švarūs ir lengvai įslinktų į laikiklius. Abu angliniai šepetėliai turėtų būti keičiami tuo pačiu metu. Naudokite tik identiškus anglinius šepetėlius.

Jei norite nuimti šepetėlių laikiklių dangtelius, pasinaudokite atsuktuvu. Išimkite sudėvėtus anglinius šepetėlius, idėkite naujus ir įtvirtinkite šepetėlį laikiklio dangtelį.

► **Pav.69:** 1. Šepetėlio laikiklio dangtelis

Pakeitę šepetėlius, prijunkite įrankį prie maitinimo tinklo ir įdirbkite šepetėlius, paleidę įrankį veikti be aprovų maždaug 10 minučių. Tada apžiūrėkite veikiančią įrankį ir, atleidę gaiduką, patikrinkite elektrinio stabdžio veikimą. Jeigu elektrinis stabdys veikia netinkamai, kreipkitės į „Makita“ techninio aptarnavimo centrą, kad jį pataisyty.

Po naudojimo

Pabaigę darbą, skudurėliu nuvalykite prie įrankio priliptusias atplaišas ir dulkes. Atitinkamai pagal anksčiau skyriuje „Pjovimo disko apsauga“ išdėstytus nurodymus, pjovimo disko apsauga turi būti laikoma švariai. Judamas dalis patepkite mašininė alyva, kad jos nerūdųty.

Kad gaminys būtų SAUGUS ir PATIKIMAS, jį taisyti, apžiūrėti ar vykdyti bet kokią kitą priežiūrą ar derinimą turi įgaliojasis kompanijos „Makita“ techninės priežiūros centras; reikia naudoti tik kompanijos „Makita“ pagamintas atsargines dalis.

PASIRENKAMI PRIEDAI

⚠️ JSPĖJIMAS: Su šiame vartotojo vadove nurodytu „Makita“ įrankiu rekomenduojama naudoti šiuos „Makita“ įtaisus ir priedus. Naudojant bet kokius kitus įtaisus ir priedus, galima sunkiai susižeisti.

⚠️ JSPĖJIMAS: „Makita“ įtaisą arba priedą naudokite tik pagal jo numatytąją paskirtį. Naudojant įtaisą arba priedą ne pagal jo numatytąją paskirtį, galima sunkiai susižeisti.

Jeigu norite daugiau sužinoti apie tuos priedus, kreipkitės į artimiausią „Makita“ techninės priežiūros centrą.

- Plieniniai pjūklo diskai ir diskai karbidiniais antgaliais
- Vertikalus spaustuvas
- Horizontalus spaustuvas
- Lubų apdailos juostų fiksatoriaus nustatymas
- Dulkių surinkimo maišelis
- Trikampė liniuotė
- Šešiakampis veržliaraktis
- Šešiakampis veržliasukis (skirtas LS1219L)

PASTABA: Kai kurie sąrašė esantys priedai gali būti pateikti įrankio pakuotėje kaip standartiniai priedai. Jie įvairiose šalyse gali skirtis.

TEHNILISED ANDMED

Mudel:	LS1219	LS1219L
Tera läbimõõt	305 mm	
Ava läbimõõt	Euroopa riigid	30 mm
	Muud kui Euroopa riigid	25,4 mm
Saetera max sisselõike paksus	3,2 mm	
Max eerunginurk	Parem 60°, vasak 60°	
Max kaldenurk	Parem 48°, vasak 48°	
Koormuseta kiirus (P/MIN)	3 200 min ⁻¹	
Laseri tüüp	-	Punane laser 650 nm, maksimaalne võimsus < 1,6 mW (laseri klass 2M)
Mõõtmed (P x L x K)	898 mm x 664 mm x 725 mm	
Netokaal	29,3 kg	29,5 kg
Ohutusklass	□/II	

Lõikejõudlused (K x L)

Eerunginurk			Fassettnurk		
			45° (vasak)	0°	45° (parem)
0°	-	-	61 mm x 382 mm 71 mm x 363 mm	92 mm x 382 mm 107 mm x 363 mm	44 mm x 382 mm 54 mm x 363 mm
	Juhtpiirde vastas oleva puidu paksus suurema saagimiskõrguse jaoks	20 mm 38 mm	78 mm x 325 mm 80 mm x 292 mm	115 mm x 325mm 120 mm x 292 mm	61 mm x 325 mm -
45° (parem ja vasak)	-	-	61 mm x 268 mm 71 mm x 255 mm	92 mm x 268 mm 107 mm x 255 mm	44 mm x 268 mm 54 mm x 255 mm
	Juhtpiirde vastas oleva puidu paksus suurema saagimiskõrguse jaoks	15 mm 25 mm	-	115 mm x 227 mm 120 mm x 212 mm	-
60° (parem ja vasak)	-	-	-	92 mm x 185 mm 107 mm x 178 mm	-
	Juhtpiirde vastas oleva puidu paksus suurema saagimiskõrguse jaoks	15 mm 25 mm	-	115 mm x 155 mm 120 mm x 140 mm	-

Lõikejõudlused erilõigete korral

Lõikamise tüüp	Lõikejõudlus
45° kaareprofiil (kaareprofiili stopperi kasutamisel)	203 mm
Põrandaliist (horisontaalse kinnitusrakise kasutamisel)	171 mm

- Meie pideva uuringu- ja arendusprogrammi tõttu võidakse tehnilisi andmeid muuta ilma sellest ette teatamata.
- Tehnilised andmed võivad riigiti erineda.
- Kaal EPTA-protseduuri 01/2014 kohaselt

Sümbolid

Alljärgnevalt kirjeldatakse seadmetel kasutatavaid tingimärke. Veenduge, et olete nende tähendusest aru saanud enne seadme kasutamist.



Lugege juhendit.



TOPELTISOLATSIOON



Vältimaks õhku paiskuvast prahist põhjustatud kehavigastust, jätkake pärast lõikamist saepea all hoidmist, kuni lõiketera on täielikult seiskunud.



Kui lõikate kelkmehhanismi abil, tõmmake esmalt kelk täielikult välja ja vajutage käepide alla, seejärel tõugake kelku juhtpiirde suunas.



Ärge asetage kätt ega sõrmi lõiketera lähedusse.



Ärge kunagi vaadake otse laserkiirde. Otsene laserkiir võib silmi kahjustada.



Ainult EL-i riikidele
Ärge pange kasutusse kõrvaldatud elektriseadmeid tavaliste olmejäätmete hulka! Vastavalt Euroopa Parlamendi ja Nõukogu direktiivile elektri- ja elektroonikaseadmete jäätmete kohta ning direktiivi nõuete kohaldamisele liikmesriikides tuleb kasutuskõlbmatuks muutunud elektriseadmed koguda eraldi ja keskkonnasaastlikult ringlusse võtta.

MÄRKUS: Deklareeritud vibratsiooniheite väärtus on mõõdetud kooskõlas standardse testimiseetodiga ning seda võib kasutada ühe seadme võrdlemiseks teisega.

MÄRKUS: Deklareeritud vibratsiooniheite väärtust võib kasutada ka mürataseme esmaseks hindamiseks.

⚠️HOIATUS: Vibratsioonitase võib elektritööriista tegelikuses kasutamise ajal erineda deklareeritud väärtusest olenevalt tööriista kasutamise viisidest.

⚠️HOIATUS: Rakendage operaatori kaitsmiseks kindlasti piisavaid ohutusabinõusid, mis põhinevad hinnangulisel müratasemel tegelikus töösituatsioonis (võttes arvesse tööperioodi kõiki osasid, nagu näiteks korrad, kui seade lülitatakse välja ja seade töötab tühikäigul, lisaks tööajale).

EÜ vastavusdeklaratsioon

Ainult Euroopa riikide puhul

EÜ vastavusdeklaratsioon sisaldub käesoleva juhendi Lisas A.

Kavandatud kasutus

Tööriist on ette nähtud puidu täpseks sirgjooneliseks ja kaldlõikamiseks. Sobivate saeteradega on võimalik saagida ka alumiiniumi.

Vooluvärustus

Seadet võib ühendada ainult andmesildil näidatud pingega vooluvõrk ning seda saab kasutada ainult ühefaasilisel vahelduvvoolutoitel. Seadmel on kahekordne isolatsioon ning seega võib seda kasutada ka ilma maandusjuhtmeta pistikupessa ühendatult.

Müra

Tüüpiline A-korrigeeritud mürataseme, määratud standardi EN62841 kohaselt:

Mudel LS1219

Helirõhutase (L_{pA}): 91 dB (A)

Helivõimsuse tase (L_{WA}): 100 dB (A)

Määramatus (K): 3 dB (A)

Mudel LS1219L

Helirõhutase (L_{pA}): 91 dB (A)

Helivõimsuse tase (L_{WA}): 100 dB (A)

Määramatus (K): 3 dB (A)

⚠️HOIATUS: Kasutage kõrvakaitsmeid.

Vibratsioon

Vibratsiooni koguväärtus (kolmeteljeliste vektorite summa) määratud standardi EN62841 kohaselt:

Mudel LS1219

Vibratsiooniheide (a_h): 2,5 m/s² või vähem

Määramatus (K): 1,5 m/s²

Mudel LS1219L

Vibratsiooniheide (a_h): 2,5 m/s² või vähem

Määramatus (K): 1,5 m/s²

OHUTUSHOIATUSED

Üldised elektritööriistade ohutushoiatused

⚠️HOIATUS: Lugege läbi kõik selle elektritööriistaga kaasas olevad ohutushoiatused, juhised, joonised ja tehnilised andmed. Järgnevate juhiste eiramine võib põhjustada elektrilöögi, süttimise ja/või raske kehavigastuse.

Hoidke edaspidisteks viide- teks alles kõik hoiatused ja juhtnõidid.

Hoiatuses kasutatud termini „elektritööriist“ all peetakse silmas elektriga töötavaid (juhtmega) elektritööriistu või akuga töötavaid (juhtmeta) elektritööriistu.

Eerungisaagide ohutusjuhised

- Eerungisaed on mõeldud puidu või puidusarnaste toodete lõikamiseks; neid ei saa kasutada koos abrasiivsete lõikeketastega, mis on mõeldud lattide, varraste, neetide jt rauasulamist materjalide lõikamiseks.** Abrasiivne tolm põhjustab alumise piirde jt liikuvate osade kinnijäämise. Abrasiivsest lõikamisest tekkivad sädemed põletavad alumist piiret, sisselõike siseosa ja teisi plast detaile.
- Võimaluse korral kasutage töödeldava detaili toestamiseks klambreid.** Töödeldavat detaili käega hoides tuleb kätt hoida saeterast alati vähemalt 100 mm kaugusel. Ärge kasutage saage, et lõigata tükke, mis on turvaliselt kinnitamiseks või käega hoidmiseks liiga väikesed. Kui käsi asub saeterale liiga lähedal, on oht saeteraga vigastada saada väga suur.

3. **Töödeldav ese peab olema paigal ja olema nii piirde kui ka laua külge kinnitatud või vastu neid kinni hoitud. Ärge juhtige töödeldavat eset vastu tera ega lõigake mingil muul moel „vaba käega“.** Kinnitamata või liikuvad töödeldavad esemed võivad suure kiirusega eemale paiskuda ja põhjustada vigastusi.
 4. **Suruge saag läbi töödeldava eseme. Saagi ei tohi läbi töödeldava eseme tõmmata. Lõike tegemiseks tõstke saepea ja tõmmake ilma lõikamata välja üle töödeldava eseme, käivitage mootor, vajutage saepea alla ja suruge saag läbi töödeldava eseme.** Tõmbava liigutusega lõikamisel võib saetera liikuda töödeldava eseme peale ja terakoost võib paiskuda operaatori poole.
 5. **Mitte mingil juhul ärge asetage oma kätt ei saetera eest ega tagant risti üle plaanitava lõikejoone.** Töödeldava eseme hoidmine risti kätega, st hoides vasaku käega saeterast paremal asuvat töödeldavat eset või vastupidi, on väga ohtlik.
- **Joon.1**
6. **Ärge asetage kätt saetera pöörlemise ajal saepuru eemaldamiseks või mõnel muul põhjusel üle piirde saetera küljele lähemale kui 100 mm.** Käe kaugus saeterast ei pruugi olla ilmne ja te võite end raskelt vigastada.
 7. **Uurige töödeldavat eset enne lõikamist. Kui töödeldav ese on kooldunud või kaardus, kinnitage see välise kaardus pinnaga vastu piiret.** Alati tuleb jälgida, et töödeldava eseme, piirde ja laua vahel ei oleks piki lõikejoont mingit vahet. Kooldunud või kaardus töödeldavad esemed võivad väänduda või nihkuda ja põhjustada lõikamise ajal saetera kinnijäämist. Töödeldavas esemes ei tohi olla naelu ega teisi võõrobjekte.
 8. **Ärge kasutage saage enne, kui laualt on eemaldatud kõik tööriistad, saepuru jms peale töödeldava eseme.** Väike praht, lahtised puidutükid või muud pöörleva teraga kokkupuutuvad esemed võivad suurel kiirusel eemale paiskuda.
 9. **Lõigake korraga ainult ühte töödeldavat eset.** Virmastatud mitut töödeldavat eset ei ole võimalik korralikult kinnitada ega haarata ja tera võib lõikamise ajal kinni jääda või nihkuda.
 10. **Veenduge, et eerungisaag on enne kasutamist paigaldatud või kinnitatud tasasele ja kindlale tööpinnale.** Tasane ja kindel tööpind vähendab eerungisae ebastabiilseks muutumise ohtu.
 11. **Mõelge oma töö läbi. Iga kord, kui muudate kalde- või faasinurga seadistust, veenduge, et ka reguleeritav piire on töödeldava eseme toetamiseks korralikult seadistatud ja ei sega lõiketera ega piirdesüsteimi.** Liigutage saetera tööriista sisse lülitamata ja töödeldavat eset lauale asetamata lõpuni läbi simuleeritud lõiketee veendumaks, et midagi ei takista ja pole ohtu piirdesse sisse lõigata.
 12. **Lauapinnast suuremate töödeldavate esemete puhul tagage piisav tugi lauapikenduste, saepukkide jms näol.** Eerungisae lauast laiemad või pikemad töödeldavad esemed võivad halvasti toetamise korral ümber minna. Ärälõigatud osa või töödeldav eseme ümberminemisel võivad nad alumise piirde üles tõsta või pöörleva tera poolt eemale paiskuda.
 13. **Ärge kasutage teist inimest lauapikenduse asemel või lisatoena.** Töödeldava eseme ebakindel toetus võib põhjustada lõikamise ajal tera kinnijäämist või töödeldava eseme liikumist ning tõmmata teid ja abilist vastu pöörlevat tera.
 14. **Ärälõigatavat osa ei tohi kinni jääda ega mitte mingil moel jõuga vastu pöörlevat saetera suruda.** Kinnijäämise korral, näiteks pikki pause tehes, võib ära lõigatav osa vastu tera kiiluda ja suure jõuga eemale paiskuda.
 15. **Ümarate materjalide, nagu ümarlattelid või torude korralikult toetamiseks tuleb alati kasutada selleks ettenähtud klambrit või kinnitust.** Ümarlattelid võivad hakata lõikamise ajal veerema, põhjustades sellega tera „hammustamist“ ja tõmmates töödeldava eseme koos teie käega vastu saetera.
 16. **Laske saeteral saavutada täiskiirus, enne kui viite selle vastu töödeldavat eset.** See vähendab töödeldava eseme eemale paiskumise ohtu.
 17. **Kui töödeldav ese või tera jääb kinni, lülitage eerungisaga välja.** Oodake, kuni kõik liikuvad osad on seiskunud, ja tõmmake pistik toiteallikast ja/või eemaldage akupakett. Seejärel asuge eemaldama kinni jäänud materjali. Saagimise jätkamine kinni jäänud töödeldava esemega võib tuua kaasa kontrolli kaotamise või kahjustada eerungisaga.
 18. **Pärast lõikamise lõppu vabastage lüliti, hoidke saepead all, oodake, kuni tera on täielikult seiskunud, ja alles siis eemaldage ära lõigatud osa.** Käe viimine vabakäigul liikuva saetera lähedale on ohtlik.
 19. **Mittetäieliku lõike tegemisel või lüliti vabastamisel, enne kui saag on täiesti alla asendisse jõudnud, hoidke tugevalt käepidemest.** Sae pidurdumine võib põhjustada saepea ootamatult allapoole tõmbamist, tekitades sellega vigastamisohu.
 20. **Kasutage saeterade puhul ainult sellist läbimõõtu, mis on märgitud tööriistale või määratud kindlaks kasutusjuhendis.** Vale suurusega lõiketera kasutamine võib negatiivselt mõjutada lõiketera nõuetekohast kaitset või kaitsepiirde funktsioneerimist, mille tagajärjeks võib olla raske kehavigastus.
 21. **Kasutage ainult selliseid saeteri, millele märgitud kiirus on võrdne tööriistale märgitud kiirusega või sellest suurem.**
 22. **Kasutage saagi ainult puidu, alumiiniumi või teiste sarnaste materjalide lõikamiseks.**
 23. **(Ainult Euroopa riikide puhul) Kasutage alati standardile EN847-1 vastavat saetera.**
- Lisajuhised**
1. **Tehke töökoda tabalukke kasutades lastekindlaks.**
 2. **Ärge kunagi seiske tööriista peal.** Tööriista ümberminemine või lõikeriistaga kogemata kokkupuutumine võib põhjustada raske vigastuse.
 3. **Ärge jätke töötavat tööriista kunagi järelevalveta.** Lülitage toide välja. Ärge jätke tööriista järelevalveta enne, kui see on täielikult seiskunud.

4. Ärge töötage saega, mille piirded ei ole omal kohal. Enne igakordset kasutamist kontrollige terakaitse õiget sulgemist. Ärge töötage saega, kui terakaitse ei liigu vabalt ega sulgu kohe. Ärge kunagi kinnitage terakaitse klambri ega siduge seda avatud asendisse.
5. Hoidke käed väljaspool saetera liikumistrajektoori. Vältige kokkupuudet mis tahes vabakäigul liikuva lõiketeraga. See võib põhjustada tõsise kehavigastuse.
6. Vigastusohu vähendamiseks viige kelk pärast iga ristlõiget lõpuni tagumisse asendisse.
7. Enne tööriista kandmist fikseerige kõik liikuvad osad.
8. Lukustustihvt, mis lukustab lõikuri, on ette nähtud ainult kandmiseks ja hoiustamiseks ning ei ole mõeldud lõiketoimingute ajal kasutamiseks.
9. Enne toimingu tegemist kontrollige hoolikalt, et lõiketeral poleks mõrsaid ega vigastusi. Asendage pragunenud või vigastatud lõiketera viivitamatult. Kõvastunud kumm ja puuvaike lõiketeradel aeglustab sae tööd ning suurendab tagasilöögi tekkimise võimalust. Hoidke lõiketera puhtana, eemaldades selle esmalt tööriista küljest, seejärel puhastades seda kummi- ja puuvaigu eemaldusvahendi, kuuma vee või petrooleumiga. Ärge kasutage kunagi tera puhastamiseks bensiini.
10. Liuglõike tegemisel võib toimuda **TAGASILÖÖK**. TAGASILÖÖK toimub, kui tera jääb lõikamise ajal töödeldavasse esemesse kinni ja saetera liigub kiirelt operaatori poole. Tulemuseks võib olla kontrolli kaotamine ja raske kehavigastus. Kui tera hakkab lõikamise ajal kinni jääma, ärge jätkake lõikamist ja vabastage kohe lüliti.
11. Kasutage ainult äärikuid, mis on mõeldud kasutamiseks koos selle tööriistaga.
12. Olge ettevaatlik, et mitte kahjustada vööli, äärikuid (eriti paigalduspinda) ega polti. Nende osade kahjustused võivad põhjustada ketta purunemise.
13. Veenduge, et pöördalus oleks õigesti kinnitatud, nii et see töötamise ajal ei liiguks. Kasutage alusel olevaid avasid, et kinnitada saag stabiilse tööplatvormi või -pingi külge. **ÄRGE** kunagi kasutage tööriista, kui operaatori asend on ebaloomulik.
14. Enne lüliti sissevajatamist veenduge, et völliuk oleks vabastatud.
15. Veenduge, et lõiketera ei puudutaks oma kõige madalamas asendis pöördalust.
16. Hoidke kindlalt käepidemest. Pange tähele, et käivitamisel ja seiskamisel liigub saag veidi üles või alla.
17. Veenduge, et lihvketas ei puutuks enne tööriista sisselülitamist vastu töödeldavat detaili.
18. Enne tööriista kasutamist töödeldaval esemel laske sellel mõnda aega koormuseta töötada. Olge tähelepanelik vibratsiooni või vibamise suhtes, mis võib anda märku väärest paigaldusest või halvasti tasakaalustatud lõiketerast.
19. Kui märkate midagi ebaharilikku, peatage töö viivitamatult.
20. Ärge püüdke lukustada päästikut sisselülitatud (ON) asendis.
21. Kasutage alati selles kasutusjuhendis soovitatud tarvikuid. Sobimatute tarvikute, nagu sobimatute abrasiivketaste, kasutamine võib põhjustada kehavigastuse.
22. Mõned materjalid võivad sisaldada mürgiseid aineid. Võtke meetmed tolmu sissehingamise ja nahaga kokkupuutumise vältimiseks. Järgige materjali tarnija ohutusteavet.

Lasertüüpi puudutavad lisaohutusnõuded

1. LASERKIIRGUS, ÄRGE VAADAKE KIIRTESSE EGA VAADAKE KIIRI OTSE OPTILISTE INSTRUMENTIDEGA, 2M KLASSI LASERTOODE.

HOIDKE JUHEND ALLES.

⚠ HOIATUS: ÄRGE UNUSTAGE järgida toote ohutusnõudeid mugavuse või toote (korduskasutamise saavutatud) hea tundmise tõttu. VALE KASUTUS võib kasutusjuhendi ohutuseeskirjade eiramine võib põhjustada tervisekahjustusi.

OSADE KIRJELDUS

► Joon.2

1	Liugvarras	2	Lukustustihvt (kelgu libistamiseks)	3	Vertikaalne kinnitusrakis	4	Vabastamisnupp (parema külje kaldenurga jaoks)
5	Hoidik	6	Pöördalus	7	Osuti (eerunginurgale)	8	Eerunginurga skaala
9	Otsamislaud	10	Terakarp	11	Reguleerimiskruvi (laserijoonele)	12	Ulatuse reguleerimiskruvi (laserijoonele)
13	Terakaitse	14	Nupp (kaldenurgale)	15	Kuusantvõti	16	Reguleerimiskruvi (alumine piirasend)
17	Reguleerimispoli (maksimaalne saagimisjõudlus)	18	Stopperlatti	19	Lukustushoob (pöördalusele)	20	Vabastushoob (pöördalusele)
21	Käepide (pöördalusele)	-	-	-	-	-	-

► Joon.3

1	Lüliti päästik	2	Lahtilukustusnupp	3	Ava tabaluku jaoks	4	Lüliti (laserijoonele)
5	Voolik (tolmuärastuseks)	6	Lukustustihvt (kelgu tõstmiseks)	7	Juhtpiire (alumine piire)	8	Juhtpiire (ülemine piire)
9	Tolmukott	10	0° reguleerimispol (kaldenurgale)	11	Kaldenurga skaala	12	Vabastushoob (48° kaldenurgale)
13	Riivistushoob (kaldenurgale)	14	Osuti (kaldenurgale)	15	45° reguleerimispol (kaldenurgale)	-	-

PAIGALDAMINE

Käepideme paigaldamine

Keerake käepideme keermestatud völli pöördalusesse.

► **Joon.4:** 1. Käepide 2. Pöördalus

Tolmuärastusvooliku paigaldamine

Ühendage tolmuärastusvoolik joonisel näidatud viisil tööriistaga.

Veenduge, et põlvliitmik ja hüls sobiks korralikult tööriista avadele.

► **Joon.5:** 1. Tolmuärastusvoolik 2. Põlv 3. Hüls 4. Ava

Paigaldamine lauale

Tööriista tarnimisel on käepide lukustatud lukustustihvti abil langetatud asendisse. Käepidet kergelt langetades tõmmake lukustustihvti ja pöörake seda 90°.

► **Joon.6:** 1. Lukustatud asend 2. Avatud asend 3. Lukustustihvt

Tööriist tuleks nelja poldiga tasase ja stabiilse pinna külge kinnitada, kasutades tööriista alusel olevaid poldiauke. See aitab vältida kummuliminekut ja võimalikke vigastusi.

► **Joon.7:** 1. Polt

⚠ HOIATUS: Veenduge, et masin ei liiguks tugipinnal. Kui eerungisaag liigub saagimise ajal tugipinnal, võib see lõppeda kontrolli kaotamisega seadme üle ja tõsise vigastusega.

FUNKTSIONAALNE KIRJELDUS

⚠ HOIATUS: Kandke alati hoolt selle eest, et tööriist oleks enne reguleerimist ja kontrollimist välja lülitatud ja vooluvõrgust eemaldatud. Kui masin ei ole välja lülitatud ja vooluvõrgust välja tõmmatud, võib see lõppeda ootamatust käivitumisest põhjustatud tõsise vigastusega.

Terakaitse

► **Joon.8:** 1. Terakaitse

Käepideme langetamisel tõuseb terakaitse automaatselt. Kaitse on varustatud tagasi tõmbevedruga, naastes pärast löike tegemist ja käepideme tõstmist oma algele kohale.

⚠ HOIATUS: Terakaitset ega kaitse külge kinnitatud vedru ei tohi kunagi kõrvale pöörata ega eemaldada. Kõrvale pööratud kaitse tõttu paljastatud saeketas võib kasutamisel põhjustada tõsiseid vigastusi.

Teie enda turvalisuse huvides hoidke terakaitse heas seisukorras. Igasugune kõrvalekalle terakaitse töös tuleb kohe kõrvaldada. Kontrollige terakaitse tagasi tõmbevedru töökorda.

⚠ HOIATUS: Ärge mitte mingil kasutage saagi, kui terakaitse või vedru on kahjustatud, defektne või eemaldatud. Katkise, rikkis või eemaldatud kaitsemasina kasutamine võib lõppeda tõsise vigastusega.

Kui läbipaistev terakaitse määrub või sellele koguneb tera ja/või töödeldava detaili nähtavust halvendav saepuru, tõmmake sae toitejuhe vooluvõrgust välja ja puhastage kaitset hoolikalt niiske lapiga. Ärge kasutage plastikaitse puhastamiseks lahusteid või naftapõhiseid puhastusvahendeid, sest need võivad kaitset kahjustada.

Kui terakaitse on eriti määrunud ja selle läbinähtavus on vähenenud, tõmmake tööriista toitejuhe vooluvõrgust välja ja keerake keskmist katet hoidev kuuskantpolt kaasasoleva mutrivõtmega lahti. Keerake kuuskantpolti vastupäeva ning tõstke terakaitse ja keskmine kate üles. Nüüd, mil terakaitse on sellises asendis, saab seda põhjalikumalt ja tõhusamalt puhastada. Pärast puhastamist korrake ülaltoodud toimingut vastupidises järjekorras ning keerake polt kinni. Ärge eemaldage terakaitset kinni hoidvat vedru. Kui kaitse värv UV-kiirguse või vananemise tõttu moonduv, võtke ühendust Makita teeninduskeskusega. KAITSE KÕRVALEPÖÖRAMINE VÕI EEMALDAMINE ON KEELATUD.

► **Joon.9:** 1. Keskmise kate 2. Kuuskantvõti 3. Terakaitse

Otsamislaud

See tööriist on varustatud pöördplaadil olevate otsamislaudadega, mis minimeerivad löike väljumiskülje rebimist. Otsamislaud on tehases reguleeritud nii, et saetera ei puutuks nende vastu. Enne kasutamist reguleerige otsamislaudu järgmiselt:

► **Joon.10:** 1. Otsamislaud

► **Joon.11:** 1. Vasakpoolne fassetlõikamine
2. Sirlõik 3. Parempoolne fassetlõikamine 4. Saetera 5. Tera hambahammas 6. Otsamislaud

Esmalt lahutage tööriist vooluvõrgust. Vabastage kõik kruvid (2 vasakul ja 2 paremal), millega otsamislaud on kinnitatud, kuni otsamislaudu saab vabalt käega liigutada. Langetage käepide lõpuni alla, tõmmake ja pöörake seejärel lukustustihvti, et lukustada käepide langetatud asendisse. Vabastage liugvarda lukustustihvt ja tõmmake kelk lõpuni enda poole. Reguleerige otsamislaudu nii, et need puudutaksid napilt saehammaste külgi. Kinnitage eesmised kruvid (ärge keerake kõvasti kinni). Lükake kelk lõpuni juhtpiirde poole ja reguleerige otsamislaudu nii, et need puudutaksid napilt saehammaste külgi. Kinnitage tagumised kruvid (ärge keerake kõvasti kinni).

Pärast otsamislaudade reguleerimist vabastage lukustustihvt ja tõstke käepidet. Seejärel kinnitage kõik kruvid tugevasti.

TÄHELEPANU: Pärast kaldenurga seadistamist veenduge, et otsamislaud oleksid korralikult seadistatud. Otsamislaudade õige seadistamine aitab tagada töödeldavale esemele korraliku toe, vähendades selle purunemise ohtu.

Maksimaalse saagimisjõudluse tagamine

Masina tehaseseadistus pakub 305 mm saeteraga saagimisel maksimaalset saagimisjõudlust.

Uue tera paigaldamisel kontrollige alati tera alumist piirasendit ja vajaduse korral reguleerige seda järgmiselt:

Esmalt lahutage tööriist vooluvõrgust. Keerake lukustushoob rakendusasendisse.

► **Joon.12:** 1. Lukustushoob

Lükake kelk lõpuni juhtpiirde vastu ja langetage käepide lõpuni alla.

Reguleerige tera asendit, keerates reguleerimispolti kuuskantvõtmega. Tera äär peab ulatuma kergelt pöördaluse ülemise pinna alla ja samuti punkti, kus juhtpiirde esipind puutub vastu pöördaluse ülemist pinda.

► **Joon.13:** 1. Reguleerimispol

► **Joon.14:** 1. Eerungiplaadi pealmine pind 2. Tera serv 3. Juhtpiire

Kui tööriist on vooluvõrgust lahutatud, pöörake tera käega, hoides samal ajal käepidet all, et tera ei puutuks vastu alust. Vajaduse korral reguleerige veidi. Pärast reguleerimist suunake lukustushoob alati esialgsesse asendisse tagasi.

⚠HOIATUS: Uue saeketta paigaldamise järel (saag peab olema vooluvõrgust lahutatud) veenduge alati selles, et ketas ei satuks käepideme alumise asendi korral kokkupuutesse aluse mis tahes osaga. Saeketta kokkupuude alusega võib kaasa tuua tagasilööke ja põhjustada tõsisid vigastusi.

Stopperlatt

Tera alumist piirasendit saab stopperlati abil hõlpsasti reguleerida. Reguleerimiseks keerake stopperlati noole suunas, nagu on joonisel näidatud. Keerake reguleerimiskruvi nii, et käepideme langetamisel madalaimasse asendisse peatuks tera soovitud asendis.

► **Joon.15:** 1. Stopperlatt 2. Reguleerimiskruvi

Eerunginurga reguleerimine

⚠ETTEVAATUST: Pärast eerunginurga reguleerimist kinnitage eerungiplaat pideme abil alati korralikult.

TÄHELEPANU: Eerungiplaadi keeramisel tõstke käepide kindlasti kõrgeimasse asendisse.

► **Joon.16:** 1. Lukustushoob 2. Käepide 3. Vabastushoob 4. Osuti

Pöördaluse vabastamiseks keerake käepidet vastu-päeva. Pöördaluse liigutamiseks keerake käepidet ja hoidke samal ajal all lukustushooba. Viige osuti skaalal kohakuti soovitud nurgaga ja pingutage seejärel käepidet.

MÄRKUS: Vabastushooba vajutades on teil võimalik liigutada pöördalust ilma lukustushooba all hoidmata. Soovitud asendi saavutamisel pingutage käepidet.

Eerungisael on sundasendi funktsioon. Teil on võimalik seadista kiirelt 0°, 15°, 22,5°, 31,6°, 45° ja 60° parem-/vasakpoolset eerunginurka. Funktsiooni kasutamiseks viige pöördalus soovitud sundasendi lähedale, hoides lukustushooba samal ajal all. Seejärel vabastage lukustushoob ja viige pöördalus ette, kuni pöördalus on lukustunud.

Kaldenurga reguleerimine

TÄHELEPANU: Enne kaldenurga reguleerimist eemaldage alati ülemine juhtpiire ja vertikaalne kinnitusrakis.

TÄHELEPANU: Kaldenurga muutmisel veenduge, et asetaksite otsamislaudu nii, nagu on kirjeldatud lõigus „Otsamislaud“.

TÄHELEPANU: Saetera kallutamisel tõstke käepide kindlasti kõrgeimasse asendisse.

TÄHELEPANU: Ärge pingutage nuppu liiga tugevalt. See võib põhjustada kaldenurga lukustusmehhanismi rikke.

1. Keerake liugvardal asuvat nuppu vastupäeva.

► **Joon.17:** 1. Nupp

2. Tõmmake ja keerake riivistushoob näidatud viisil asendisse.

► **Joon.18:** 1. Riivistushoob

3. Viige osuti kelku liigutades skaalal kohakuti soovitud nurgaga ja pingutage seejärel nuppu.

► **Joon.19:** 1. Kaldenurga skaala 2. Osuti

Kelgu paremale kallutamiseks suunake kelku kergelt vasakule ja seejärel paremale, vajutades samas alla vabastusnuppu.

► **Joon.20:** 1. Vabastusnupp

Suurema kui 45° fassetlõikamise puhul liigutage kelku, libistades samal ajal vabastushooba tööriista esiosa poole. Teil on võimalik teostada kuni 48° fassetlõikamist.

► **Joon.21:** 1. Vabastushoob

Eerungisael on sundasendi funktsioon. Teil on võimalik seadistada kiirelt 22,5° ja 33,9° nurka nii vasakule kui paremale poole. Seadke riivistushoob joonisel näidatud asendisse ja kallutage kelku. Nurga muutmiseks tõmmake riivistushooba ja kallutage kelku.

► **Joon.22:** 1. Riivistushoob

⚠ETTEVAATUST: Pärast kaldenurga muutmist tuleb nupp alati fikseerida.

Libistamisluuk

Kelgu libistamisliikumise lukustamiseks suruge kelku ette juhtpiirde poole kuni lõpuni. Tõmmake lukustustihvti ja keerake seda 90°.

► **Joon.23:** 1. Avatud asend 2. Lukustatud asend 3. Lukustustihvt

Lüliti funktsioneerimine

⚠HOIATUS: Kontrollige alati enne tööriista vooluvõrku ühendamist, kas lüliti päästik funktsioneerib nõuetekohaselt ja liigub lahtilaskmisel tagasi väljalülitatud asendisse. Ärge tõmmake lüliti päästikut tugevasti ilma lahtilukustusnuppu vajutamata. See võib põhjustada lüliti purunemise. Tööriista juhtimine lüliti abil, mis ei toimi korralikult, võib kaasa tuua kontrolli kaotamise sae üle ja põhjustada tõsisid vigastusi.

⚠HOIATUS: ÄRGE KUNAGI kasutage tööriista, kui lüliti päästik ei ole täielikus töökorras. Mis tahes masin, mille lüliti on korras ära, on ÜLIMALT OHTLIK ja vajab enne edasist kasutamist remonti, sest muidu võite saada tõsiselt vigastada.

⚠HOIATUS: Lahtilukustusnupu fikseerimine kleepilindi vms-ga on KEELATUD. Inaktiveeritud lahtilukustusnupuga lüliti võib põhjustada masina soovimatut sisselülitumise, millega kaasnevad tõsisid vigastused.

⚠HOIATUS: ÄRGE kasutage KUNAGI masinat, kui see käivitub ka siis, kui lahtilukustusnuppu vajutamata vajutate lihtsalt lüliti päästikut. Remonti vajav lüliti võib põhjustada masina soovimatut sisselülitumise, millega kaasnevad tõsisid vigastused. ENNE edasist kasutamist viige masin parandamiseks Makita teeninduskeskusesse.

► **Joon.24:** 1. Lüliti päästik 2. Lahtilukustusnupp 3. Ava tabaluku jaoks

Lüliti päästiku juhusliku vajutamise vältimiseks on tööriistal blokeerimisnupp. Tööriista käivitamiseks vajutage lahtilukustusnuppu sisse ning tõmmake lüliti päästikut. Vabastage lüliti päästik tööriista seiskamiseks. Tööriista lukustamiseks on lüliti päästikul ava, mille külge paigaldatakse tabalukk.

⚠HOIATUS: Ärge kasutage tabalukku, mille varb või kaabel on väiksema läbimõõduga kui 6,35 mm. Väiksem vars või kaabel ei pruugi tööriista korralikult väljalülitatud asendisse lukustada ja tööriista kogemata käivitamine võib põhjustada tõsisid vigastusi.

Elektroniline funktsioon

Püsikiiruse juhtimine

Saag on varustatud elektronilise kiirusregulaatoriga, mis hoiab alal saeketta ühtlast pöörlemiskiirust isegi koormuse all. Saeketta ühtlane pöörlemiskiirus tagab väga ühtlase saagimise.

Sujuvkäivituse funktsioon

See funktsioon võimaldab käivitamise väändejõudu piirates tööriista sujuvalt käivitada.

Laserikiire funktsioon

Ainult mudeli LS1219L kohta

⚠ETTEVAATUST: Ärge kunagi vaadake otse laserikiirde. Otsene laserkiir võib silmi kahjustada.

Laserikiire sisselülitamiseks vajutage lüliti ülemist osa (1). Laserikiire väljalülitamiseks vajutage lüliti alumisele osale (0).

► **Joon.25:** 1. Laseri lüliti

Laserijoont saab nihutada saeterast nii vasakule kui ka paremale, keerates reguleerimiskruvisid järgmiselt.

► **Joon.26:** 1. Reguleerimiskruvi

1. Keerake reguleerimiskruvi vastupäeva lahti.
2. Kui reguleerimiskruvi on lahti keeratud, libistage see lõpuni paremale või vasakule.
3. Keerake reguleerimiskruvi asendis, kus see libisemise lõpetas, tugevasti kinni.

MÄRKUS: Laserijoon on tehases reguleeritud nii, et see paikneb kuni 1 mm kaugusel tera küljepinnast (lõikeasend).

MÄRKUS: Kui laserikiir näib otsese päikesevalguse tõttu tumhi ja raskesti märgatavana, viige tööala kohta, kus otsest päikesevalgust on vähem.

Laserijooone joondamine

Seadke lõikejoon töödeldaval detailil kohakuti laserijooonega.

► **Joon.27**

- A) Kui soovite saavutada õiget suurust töödeldava eseme vasakul küljel, nihutage laserijoont terast vasakule.
- B) Kui soovite saavutada õiget suurust töödeldava eseme paremal küljel, nihutage laserijoont terast paremale.

MÄRKUS: Liitlõikamisel (kaldenurk 45° kraadi ja eeringinurk 45° kraadi paremale) pange lõikejoone ja laserijoone kohakuti seadmiseks vastu juhtpiiret puitääris.

KOKKUPANEK

▲HOIATUS: Enne masina hooldamist lülitage see kindlasti välja ja eemaldage vooluvõrgust. Kui masin jääb välja lülitamata ja vooluvõrgust eemaldamata, võib see põhjustada raskeid vigastusi.

Kuuskantvõtme hoiulepanek

Kui kuuskantvõtit ei kasutata, pange see kaotamise vältimiseks joonisel näidatud viisil hoiule.

► **Joon.28:** 1. Kuuskantvõti

Saetera eemaldamine ja paigaldamine

▲HOIATUS: Kandke alati hoolt selle eest, et tööriist oleks enne tera paigaldamist või eemaldamist välja lülitatud ja vooluvõrgust eemaldatud. Masina juhuslik sisselülitamine võib põhjustada tõsiseid vigastusi.

▲HOIATUS: Kasutage tera paigaldamiseks ja eemaldamiseks ainult kaasasolevat Makita mutrivõtit. Kui võtit ei kasutata, siis võib selle tulemuseks olla liiga kõvasti või liiga lõdvalt kinni keeratud kuuskantpesapolt ning tõsine vigastus.

Tera paigaldamisel ja eemaldamisel lukustage kelk alati tõstetud asendisse. Tõmmake lukustustihvti ja keerake seda 90°, kui kelk on tõstetud asendis.

► **Joon.29:** 1. Avatud asend 2. Lukustatud asend 3. Lukustustihvt

Tera eemaldamine

Keerake keskkatet kinnihoidev kuuskantpolt kuuskantvõtmega lahti. Tõstke terakaitse ja keskmine kate üles.

► **Joon.30:** 1. Keskmine kate 2. Kuuskantvõti 3. Terakaitse

Vajutage võlli lukustamiseks võllilukku ja keerake kuuskantpesapolt kuuskantvõtmega lahti. Seejärel eemaldage kuuskantpesapolt, välimine äärik ja saeketas.

► **Joon.31:** 1. Võllilukk 2. Kuuskantvõti 3. Kuuskantpesapolt (vasakkeermega) 4. Lõdvendamine 5. Pingutamine

Tera paigaldamine

Paigaldage tera ettevaatlikult võllile, veendudes, et tera pinnal oleva noole suund kattub terakorpusel oleva noole suunaga.

► **Joon.32:** 1. Terakarbil asuv nool 2. Teral asuv nool

Paigaldage välisäärik ja kuuskantpesapolt. Pingutage kuuskantpesapolti kuuskantvõtmega vastupäeva, surudes samal ajal võllilukule.

► **Joon.33:** 1. Kuuskantpesapolt 2. Välisäärik 3. Saetera 4. Siseäärik 5. Spindel 6. Rõngas

TÄHELEPANU: Kui sisemine äärik eemaldatakse, paigaldage see kindlasti spindlile, kusjuures eenduv esikülg peab jääma saekettast eemale. Ääriku vale paigaldamise korral hakkab see hõõrduma vastu masinat.

Viige terakaitse ja keskmine kate tagasi algasendisse. Seejärel keerake kuuskantpolt keskmise kate fikseerimiseks päripäeva kinni. Vabastage lukustustihvt, et vabastada kelk tõstetud asendist. Langetage käepide, et veenduda terakaitse korralikus liikumises. Enne lõike tegemist veenduge, et võllilukk oleks võlli vabastanud.

▲HOIATUS: Enne tera paigaldamist spindlile veenduge alati, et sise- ja välisääriku vahele oleks paigaldatud kasutatava tera võllivaga kokkusobiv rõngas. Vale võllivaga rõnga kasutamine võib kaasa tuua tera vale paigalduse, mis põhjustab saetera lengerdamist ja tugevat vibratsiooni, mis võib omakorda põhjustada kontrolli kaotust tööriista üle ning raskeid kehavigastusi.

Tolmuimeja ühendamine

Kui soovite puhtamalt lõigata, ühendage tolmuotsik esimansette 24 (valikuline tarvik) kasutades Makita tolmuimejaga.

► **Joon.34:** 1. Esimansetid 24 2. Voolik 3. Tolmuimeja

Tolmukott

Tolmukoti kasutamine muudab lõikamistöõ puhtaks ja kergendab tolmu kogumist. Tolmukoti kinnitamiseks eemaldage tööriistal asuv tolmuärastusvoolik ja ühendage tolmukott.

► **Joon.35:** 1. Tolmuärastusvoolik 2. Tolmukott

Kui tolmukott on umbes poolenisti täis, eemaldage see tööriista küljest ja tõmmake kinnitusvahend välja. Tühjendage tolmukott, koputades seda kergelt, et eemaldada külgedele kinnitunud osakesed, mis võivad takistada edasist tolmu kogumist.

► **Joon.36:** 1. Kinnitusvahend

Töödeldava detaili fikseerimine

▲HOIATUS: Äärmiselt tähtis on fikseerida töödeldav ese alati korrektselt õiget tüüpi kinnitusrakise või kaareprofiili stopperitega. Muidu võib tulemuseks olla tõsine vigastus ja masina ja/või töödeldava eseme kahjustamine.

▲HOIATUS: Saeketast ei tohi pärast saagimist tõsta üles enne, kui see on täielikult seiskunud. Pöörleva saeketta ülestõstmine võib põhjustada tõsiseid vigastusi ja kahjustada töödeldavat eset.

▲HOIATUS: Sae tugialusest pikema eseme saagimisel tuleb eseme tugialusest üleulatuv osa täies pikkuses toestada, tagades sealjures eseme rõhtsuse samal kõrgusel. Töödeldava eseme korralik toestamine hoiab ära saeketta kiilumise ja võimalikud tagasilöögid, mis võivad kaasa tuua tõsiseid vigastusi. Ärge piirduge töödeldava detaili ainult vertikaalse ja/või horisontaalse kinnitusrakisega fikseerimisega. Õhukesed materjalid kipuvad koolduma. Toestage töödeldav detail terves ulatuses, et vältida tera pitsitamist ja võimalikku TAGASILÖÖKI.

► **Joon.37:** 1. Tugi 2. Eerungiplaat

Juhtpiirdeid

▲HOIATUS: Enne tööriista kasutamist veenduge, et ülemine piire oleks tugevasti kinnitatud.

▲HOIATUS: Veenduge enne kaldesaagimist selles, et masina ükski osa, eelkõige saeketas, ei satuks kokkupuutesse ülemise ja alumise tõkisega käepideme täielikul langetamisel ning tõstmisel mis tahes asendisse ja kelgu liigutamisel selle kogu käigutee ulatuses. Kui tööriist või saeketas puudutab piiret, võib see põhjustada tagasilöögi või materjali ootamatu liikumise ning raske kehavigastuse.

Kasutage ülemisi piirdeid, et toetada töödeldavat materjali alumistest piiretest kõrgemalt. Sisestage ülemine piire alumises piirdes asuvasse auku ja kinnitage kinnituskruviga.

► **Joon.38:** 1. Ülemine piire 2. Alumine piire 3. Kinnituskruvi 4. Reguleerimiskruvi

TÄHELEPANU: Alumised piirdeid on aluse külge kinnitatud juba tehases. Ärge eemaldage alumisi piirdeid.

TÄHELEPANU: Kui ülemine piire on ikka lahtiselt ka pärast kinnituskruvide pingutamist, keerake vahe sulgemiseks reguleerimiskruvi. Reguleerimiskruvi on tehases reguleeritud. Seda ei pea kasutama, kui see pole vajalik.

Kui ülemist piiret ei kasutata, saate selle panna hoidikusse. Kasutage ülemise piirde hoidikus hoidmiseks klambrit.

► **Joon.39:** 1. Hoidik 2. Ülemine piire 3. Klamber

Vertikaalne kinnitusrakis

▲HOIATUS: Töödeldav detail peab kõikide tööetappide käigus olema kinnitusrakise abil tugevasti pöördaluse ja juhtpiirde külge kinnitatud. Kui töödeldav ese pole korralikult vastu piiret fikseeritud, võib ese saagimise käigus hakata liikuma ja kahjustada saeketast, millega võib kaasneda eseme eemalepaiskumine, kontrolli kaotus masina üle ning tõsised vigastused.

► **Joon.40:** 1. Kinnitusrakise latt 2. Kinnitusrakise varras 3. Kinnituskruvi 4. Kinnitusrakise nupp

Vertikaalse kinnitusrakise saab paigaldada kahte asendisse kas eerungialuse vasak- või parempoolsel küljel. Paigaldage rakisevarras eerungialuse avasse. Paigutage kinnitusrakise latt, arvestades töödeldava detaili paksust ja kaju, ning fikseerige kruviga. Kui kinnituskruvi puutub vastu kelku, paigaldage see kinnitusrakise lati vastasküljele. Veenduge, et käepideme lõpuni alla langetamisel ei puutuks ükski tööriista osa vastu kinnitusrakist. Kui mõni osa puutub vastu kinnitusrakist, paigutage kinnitusrakis ümber. Suruge töödeldav detail tasaselt vastu juhtpiiret ja eerungiplaati. Asetage töödeldav detail soovitud löikeasendisse ja fikseerige, keerates kinnitusrakise nuppu tugevasti kinni.

MÄRKUS: Töödeldava eseme kiireks seadmiseks keerake kinnitusrakise nuppu 90° vastupäeva, mis võimaldab kinnitusrakise nuppu üles ja alla liigutada. Töödeldava eseme kinnitamiseks pärast seadistamist keerake kinnitusrakise nuppu päripäeva.

Horisontaalne kinnitusrakis

Vajalikune tarvik

▲HOIATUS: Keerake kinnitusrakise nuppu töödeldava eseme korralikuks kinnitamiseks alati päripäeva. Kui töödeldav ese pole korralikult fikseeritud, võib ese saagimise käigus hakata liikuma ja kahjustada saeketast, millega võib kaasneda eseme eemalepaiskumine, kontrolli kaotus masina üle ning tõsised vigastused.

▲HOIATUS: Kasutage õhukeste esemete, nagu pörandaliistude saagimiseks tõkise vastas alati horisontaalset kinnitusrakist.

▲ETTEVAATUST: Saagides toorikut, mille paksus on 20 mm või alla selle, kasutage tooriku kinnitamiseks kindlasti vaheplokki.

Horisontaalset kinnitusrakist saab paigaldada kahte asendisse kas põhja vasakule või paremale poole. 22,5" või suurema faasinurgaga eerungisaagimisel paigaldage horisontaalne kinnitusrakis küljele, mis asetseb selle punkti vastas, kuhu pöördalust kavatsetakse pöörata.

► **Joon.41:** 1. Kinnitusrakise plaat 2. Kinnitusrakise mutter 3. Kinnitusrakise nupp

Kinnitusrakise mutri vastupäeva keeramisel kinnitusrakis vabaneb ning seda saab kiiresti sisse/välja liigutada. Töödeldava eseme fikseerimiseks suruge kinnitusrakise nuppu ettepoole, kuni kinnitusrakise plaat puutub vastu töödeldavat eset, seejärel keerake kinnitusrakise nuppu päripäeva. Seejärel keerake kinnitusrakise nuppu töödeldava detaili kinnitamiseks päripäeva.

MÄRKUS: Horisontaalse kinnitusrakisega kinnitatava detaili maksimaalne laius on 228 mm.

Hoidikud

⚠️HOIATUS: Saagimistäpsuse tagamiseks ja masina üle kontrolli kaotamise vältimiseks toestage pikad töödeldavad esemed alati nõnda, et need oleksid pöördaluse pealispinnaga tasa.

Töödeldava eseme korralik toestamine hoiab ära saeketta kiilumise ja võimalikud tagasilöögid, mis võivad kaasa tuua tõsiseid vigastusi.

Pikkade töödeldavate esemete horisontaalselt hoidmiseks on tööriista mõlemal küljel avad. Lõdvendage kruvid ja pikendage hoidikuid töödeldava eseme pikkusele sobivalt. Seejärel pingutage kruvid.

► **Joon.42:** 1. Hoidik 2. Kruvi

TÖÖRIISTA KASUTAMINE

⚠️HOIATUS: Veenduge, et tera ei puutuks enne tööriista sisselülitamist vastu töödeldavat detaili jne. Masina sisselülitamine juhu!, kui saeketas on töödeldava esemega kokkupuutes, võib põhjustada tagasilööke ja tõsiseid vigastusi.

⚠️HOIATUS: Saeketast ei tohi pärast saagimist tõsta üles enne, kui see on täielikult seiskunud. Pöörleva saeketta ülestõstmine võib põhjustada tõsiseid vigastusi ja kahjustada töödeldavat eset.

⚠️HOIATUS: Ärge reguleerige seadet (käepideme, nupu, hoobade keeramine) tera pöörlemise ajal. Tera pöörlemise ajal reguleerimine võib põhjustada raske kehavigastuse.

TÄHELEPANU: Enne kasutamist vabastage kindlasti lukustustihvt ja vabastage käepide langetatud asendist.

TÄHELEPANU: Ärge avaldage käepidemele löökamisel liigset survet. Ülemäärane surve võib põhjustada mootori ülekoormust ja/või vähendada löökamise tõhusust. Suruge käepide alla ainult sujuva löökamise tagamiseks tarviliku jõuga ja nii, et tera kiirus oluliselt ei väheneks.

TÄHELEPANU: Lökamiseks vajutage käepide õrnalt alla. Kui käepidet suruda liiga tugevasti või külgsuunalist jõudu rakendades, võib tera hakata vibreerima ja jätta töödeldavale detailile tükke (saetäkke) ning löike täpsus väheneb.

TÄHELEPANU: Liuglökamisel lükake kelku peatamata õrnalt juhtpiirde poole. Kui kelk löike teostamise ajal peatada, siis jääb töödeldavale detaili tüke ning löiketäpsus väheneb.

Presslökamine

⚠️HOIATUS: Presslökamise ajal lukustage alati kelgu liugliikumine. Lökamine ilma lukustamata võib põhjustada tagasilööke, mis võivad kaasa tuua tõsiseid vigastusi.

Kuni 92 mm kõrguseid ja 183 mm laiuseid detaile saab saagida järgneval viisil.

► **Joon.43:** 1. Lukustustihvt

1. Suruge kelku kuni lõpuni juhtpiirde poole ja lukustage lukustustihvtiga.
2. Kinnitage töödeldav ese õiget tüüpi kinnitusrakisega.
3. Lülitage tööriist sisse ja jälgige, et löiketera ei puutuks kuskile vastu, ja enne langetamist oodake, kuni löiketera saavutab täiskiiruse.
4. Detaili löökamiseks lükake käepide ettevaatlikult kõige alumisse asendisse.
5. Kui lõige on tehtud, lülitage tööriist välja ja oodake tera täieliku peatumiseni, enne kui viite selle tagasi ülestõstetud asendisse.

Liuglõike (presslõike) tegemine (laiade detailide löikamine)

⚠️HOIATUS: Liugsaagimisel tõmmake kelk esmalt lõpuni enda poole ja vajutage käepide täielikult alla, seejärel lükake kelku juhtkõikise poole. Saagimist ei tohi alustada enne, kui olete kelgu täielikult enda poole tõmmanud. Kui teete liugsaagimise ilma kelku täielikult enda poole tagasi tõmbamata, võib toimuda ootamatu tagasilöök, mis võib tekitada tõsise vigastuse.

⚠️HOIATUS: Ärge mingil juhul tehke liugsaagimist kelku enda poole tõmmates. Kui tõmbate kelku saagimise ajal enda poole, võib toimuda ootamatu tagasilöök, mis võib tekitada tõsise vigastuse.

⚠️HOIATUS: Liugsaagimist ei tohi teha, kui käepide on lukustatud langetatud asendisse.

► **Joon.44:** 1. Lukustustihvt

1. Vabastage lukustustihvt nii, et kelk saaks vabalt libiseda.
2. Kinnitage töödeldav ese õiget tüüpi kinnitusrakisega.
3. Tõmmake kelk lõpuni enda poole.
4. Lülitage masin sisse ja jälgige, et saeketas ei puutuks kuskile vastu, ja oodake, kuni saeketas saavutab täiskiiruse.
5. Vajutage käepide alla ja lükake kelku juhtkõikise poole ning läbi töödeldava eseme.
6. Kui lõige on tehtud, lülitage tööriist välja ja oodake tera täieliku peatumiseni, enne kui viite selle tagasi ülestõstetud asendisse.

Kaldlökamine

Juhinduge eespool toodud lõigust „Eerunginurga reguleerimine“.

Fassettlõikamine

⚠️HOIATUS: Kui olete saeketta fassettlõikamiseks valmis seadnud, veenduge enne masina kasutamist selles, et kelgu ja saeketta liikumistee-
kond oleks kogu kavandatava saagimise ulatuses vaba. Kelgu või saeketta liikumise katkestamine saagimise käigus võib põhjustada ootamatu tagasilöögi, mis võib kaasa tuua tõsise vigastuse.

⚠️HOIATUS: Hoidke käed faasisaagimise ajal saeketta teelt eemal. Saeketta nurk võib saeketta tegelikku teekonda saagimise käigus kasutaja eest varjata, kokkupuude saekettaga põhjustab tõsise vigastuse.

⚠️HOIATUS: Saeketast ei tohiks tõsta enne selle täielikku seiskumist. Faasisaagimise käigus võib maha saetud klots jääda toetuma vastu saeketta külge. Kui saeketas tõstetakse üles enne selle seiskumist, võib ketas haarata klotsi kaasa ja paisata eemale, purustades selle ning tekitades tõsiste vigastuste ohu.

TÄHELEPANU: Käepideme alla vajutamisel avaldage saekettaga paralleelset survet. Kui pöördalusele püstjalt survet avaldada või kui surve suunda saagimise ajal muuta, siis väheneb saagimise täpsus.

► Joon.45

1. Eemaldage küljelt, kus te tahate kelku kallutada, ülemine piire.
2. Vabastage lukustustihvt.
3. Reguleerige kaldenurk jaotises „Kaldenurga reguleerimine“ kirjeldatud toimingu järgi. Seejärel pingutage nupp.
4. Fikseerige töödeldav detail kinnitusrakise abil.
5. Tõmmake kelk lõpuni enda poole.
6. Lülitage masin sisse ja jälgige, et saeketas ei puutuks kuskile vastu, ja oodake, kuni saeketas saavutab täiskiiruse.
7. Langetage käepide madalaimasse asendisse, avaldades samal ajal teraga paralleelset survet, ning lükake kelku töödeldava detaili lõikamiseks juht-
piirde suunas.
8. Kui lõige on tehtud, lülitage tööriist välja ja oodake tera täieliku peatumiseni, enne kui viite selle tagasi ülestõstetud asendisse.

Liitlõikamine

Liitlõikamine kujutab endast töödeldava detaili samaaegset kaldlõikamist ja eeringunurga lõikamist. Liitsaagimist saab teha tabelis näidatud nurga all.

Eeringunurk	Fassettnurk
Vasak ja parem 0° - 45°	Vasak ja parem 0° - 45°

Liitlõike tegemisel juhendage lõikudest „Presslõikamine“, „Liuglõike (presslõike) tegemine“, „Kaldlõikamine“ ja „Fassettlõikamine“.

Alusplaatide saagimine

⚠️ETTEVAATUST: Kasutage alusplaati lõigates kindlasti horisontaalset kinnitusrakist (lisatarvik).

⚠️ETTEVAATUST: Saagides toorikut, mille paksus on 20 mm või alla selle, kasutage tooriku kinnitamiseks kindlasti vaheplokki.

Saagides alusplaati 45° nurga all, mõõtke nurk, raken-
dage stopperi hoob, et hoida ära terakarbi kokkupuude alusplaadiga. See jätab alusplaadi ja terakarbi vahele ruumi, kui kandur täielikult ettepoole lükatakse. Vaadake alusplaadi saagimisvõimsuse TEHNILISI ANDMEID.

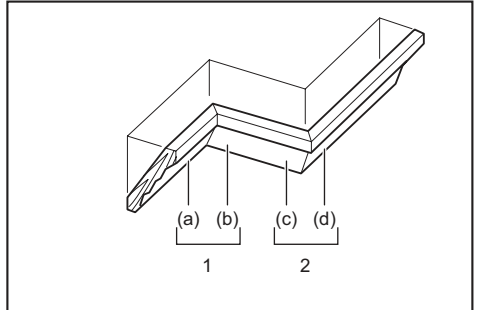
- **Joon.46:** 1. Lukustushoob 2. Vaheklotis
3. Horisontaalne kinnitusrakis

Kaare- ja nõgusprofiili freesimine

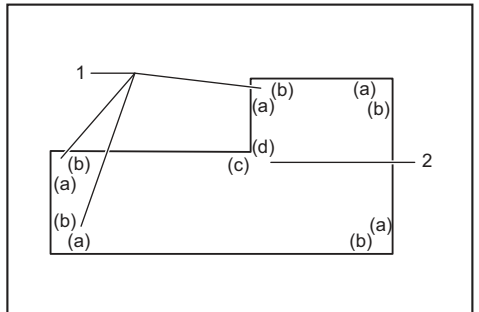
Kaare- ja nõgusprofiile saab freesida liuglõike eeringun-
aega, kui profiilid on asetatud eeringulusele lapiti. Kaare vigurprofiili lõikamiseks on kaks ja nõgusprofiili lõikamiseks üks võimalus; 52/38° kaareprofiili lõika-
mine, 45° kaareprofiili lõikamine ning 45° nõgusprofiili lõikamine.

- **Joon.47:** 1. 52/38° kaareprofiil 2. 45° kaareprofiil
3. 45° nõgusprofiil

On olemas kaare- ja nõgusprofiilide ühendused, mis sobivad 90° sisenurkadesse ((a) ja (b) joonisel) ja 90° välisnurkadesse ((c) ja (d) joonisel).



1. Sisenurk 2. Välisnurk



1. Sisenurk 2. Välisnurk

Mõõtmine

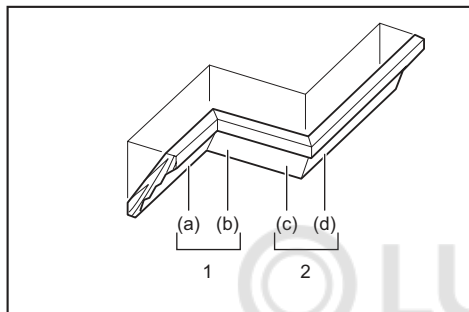
Mõõtke seina laiust ja reguleerige selle järgi töödeldava detaili laiust. Veenduge alati, et töödeldava detaili seinapoolse serva laius oleks sama nagu seina pikkus.

- **Joon.48:** 1. Töödeldav detail 2. Seina laius
3. Töödeldava detaili laius 4. Seinapoolne serv

Kasutage proovisaagimiseks mitut tükki, et kontrollida saenurki.

Kumer- ja nõgusprofiilide lõikamisel seadke fassettnurk ja eeringinurk tabeli (A) järgi ning seadke profiilid tabeli (B) järgi saekorpuse ülemisele pinnale.

Vasakpoolse fassetlõike korral

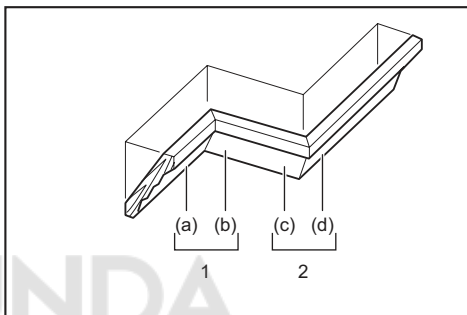


1. Sisenurk 2. Välisnurk

Nt:
52/38° kaareprofiili lõikamine asendis (a) ülaltoodud joonisel:

- Kallutage ja kinnitage fassettnurga seadistuseks 33,9° VASAKULE.
- Reguleerige ja kinnitage eeringinurga seadistuseks 31,6° PAREMALE.
- Asetage kaareprofiil tagumise laiema (varjatud) küljega eeringuplaadile, nii et LAEPOOLNE SERV jääks sae juhtpiirde vastu.
- Töödeldud detail jääb pärast saagimist alati terast VASAKULE poole.

Parempoolne fassetlõikamine



1. Sisenurk 2. Välisnurk

Tabel (A)

–	Profiili tähis joonisel	Fassettnurk		Eeringinurk	
		52/38° tüüp	45° tüüp	52/38° tüüp	45° tüüp
Sisenurga puhul	(a)	Vasak 33,9°	Vasak 30°	Parem 31,6°	Parem 35,3°
	(b)			Vasak 31,6°	Vasak 35,3°
Välisnurga puhul	(c)			Parem 31,6°	Parem 35,3°
	(d)			Parem 31,6°	Parem 35,3°

Tabel (B)

–	Profiili tähis joonisel	Profiili serv vastu juhtpiiret	Lõpetatud detail
Sisenurga puhul	(a)	Laepoolne serv peab olema vastu juhtpiiret.	Lõpetatud detail peab jääma terast vasakule.
	(b)	Seinapoolne serv peab olema vastu juhtpiiret.	Lõpetatud detail peab jääma terast paremale.
Välisnurga puhul	(c)	Laepoolne serv peab olema vastu juhtpiiret.	Lõpetatud detail peab jääma terast vasakule.
	(d)	Seinapoolne serv peab olema vastu juhtpiiret.	Lõpetatud detail peab jääma terast vasakule.

Tabel (A)

–	Profiili tähis joonisel	Fassettnurk		Eeringinurk	
		52/38° tüüp	45° tüüp	52/38° tüüp	45° tüüp
Sisenurga puhul	(a)	Parem 33,9°	Parem 30°	Parem 31,6°	Parem 35,3°
	(b)			Vasak 31,6°	Vasak 35,3°
Välisnurga puhul	(c)			Parem 31,6°	Parem 35,3°
	(d)			Parem 31,6°	Parem 35,3°

Tabel (B)

–	Profiili tähis joonisel	Profiili serv vastu juhtpiiret	Lõpetatud detail
Sisenurga puhul	(a)	Seinapoolne serv peab olema vastu juhtpiiret.	Lõpetatud detail peab jääma terast paremale.
	(b)	Laepoolne serv peab olema vastu juhtpiiret.	Lõpetatud detail peab jääma terast vasakule.
Välisnurga puhul	(c)	Laepoolne serv peab olema vastu juhtpiiret.	Lõpetatud detail peab jääma terast vasakule.
	(d)	Seinapoolne serv peab olema vastu juhtpiiret.	Lõpetatud detail peab jääma terast vasakule.

Nt:
52/38° kaareprofiili lõikamine asendis (a) ülaltoodud joonisel:

- Kallutage ja kinnitage fassetnurga seadistuseks 33,9° PAREMALE.
- Reguleerige ja kinnitage eerunginurga seadistuseks 31,6° PAREMALE.
- Asetage kaareprofiil tagumise laiemale (varjatud) küljega pöördalusele, nii et SEINAPPOOLNE SERV jääks sae juhtpiirde vastu.
- Töödeldud detail jääb pärast saagimist alati terast PAREMALE poolse.

Kaareprofiili stopper

Valikuline tarvik

Kaareprofiili stopperid võimaldavad lõigata kaareprofiili lihtsamalt ilma saetera kallutamata. Paigaldage need joonistel näidatud viisil pöördalusele.

Parempoolne 45° eerunginurk

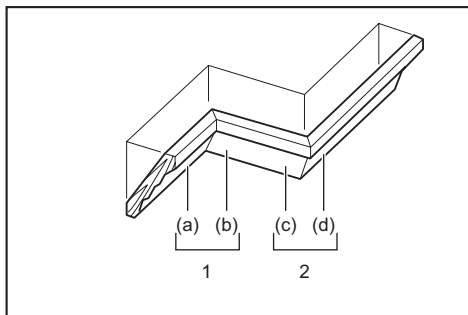
► **Joon.49:** 1. Kaareprofiili stopper L 2. Kaareprofiili stopper R 3. Pöördalus 4. Juhtpiire

Vasakpoolne 45° eerunginurk

► **Joon.50:** 1. Kaareprofiili stopper L 2. Kaareprofiili stopper R 3. Pöördalus 4. Juhtpiire

Paigutage kaareprofiili SEINAPPOOLNE SERV vastu juhtpiiret ja LAEPOOLNE SERV vastu kaareprofiili stopperid, nagu on joonisel näidatud. Reguleerige kaareprofiili stopperid, arvestades kaareprofiili suurus. Pingutage kruvisid ja fikseerige kaareprofiili stopperid. Eerunginurgad leiate tabelist (C).

► **Joon.51:** 1. Juhtpiire 2. Kaareprofiili stopper



1. Siseturk 2. Välisnurk

Tabel (C)

–	Profiili tähis joonisel	Eerunginurk	Lõpetatud detail
Sisenurga puhul	(a)	Parem 45°	Säilitage tera parem külg
	(b)	Vasak 45°	Säilitage tera vasak külg
Välisnurga puhul	(c)		Säilitage tera parem külg
	(d)	Parem 45°	Säilitage tera vasak külg

Alumiiniumprofiilide lõikamine

► **Joon.52:** 1. Kinnitusrakis 2. Vaheklots 3. Juhtpiire 4. Alumiiniumprofiil 5. Vaheklots

Alumiiniumprofiilide kinnitamisel kasutage puidust klotse või puidujääke, nagu on näidatud joonisel, et vältida alumiiniumi deformeermist. Alumiiniumi lõikamisel kasutage määrdeaineid, et vältida alumiiniumipuru kogunemist terale.

▲HOIATUS: Ärge üritage saagida paks ega ümaraid alumiiniumprofiile. Paksude või ümarate alumiiniumprofiilide fikseerimine võib osutada keerukaks, mistõttu need võivad saagimise käigus lahti tulla, põhjustades kontrolli kaotust sae üle ja tõsiseid vigastusi.

Puitääris

▲HOIATUS: Kinnitage puitääris kruvidega juhtkõikse külge. Kruvid tuleb paigaldada nii, et kruvi-peed jääksid puitäärise pinnast madalamale ega segaks seeläbi saetava materjali paigutust. Valesti paigutatud saetav materjal võib hakata saagimise ajal ootamatult liikuma, põhjustades kontrolli kaotamist töö üle ja tõsiseid vigastusi.

▲ETTEVAATUST: Kasutage puitäärisena sirget ja täies pikkuses ühesuguse paksusega puitu.

▲ETTEVAATUST: Selleks et saagida täielikult läbi 107 mm kuni 120 mm, paksusega töödeldavaid esemeid, tuleks juhtpiirdel kasutada puitäärist. Puitääris lükkab tooriku juhtpiirdest eemale, võimaldades saekettal saagida sügavamalt lõpuni.

TÄHELEPANU: Kui paigaldatud on puitääris, siis ärge keerake langetatud käepidemega eerungiplaati. Tera ja/või puitääris saavad kahjustada.

Puitäärise kasutamine võimaldab pinnuvaba lõikamist. Kinnitage puitääris juhtpiirdes olevate avade ja 6 mm kruvide abil juhtpiirde külge.

Puitäärise soovitatavad mõõtmed on toodud joonisel.

► **Joon.53:** 1. Auk 2. Üle 15 mm 3. Üle 270 mm 4. 90 mm 5. 145 mm 6. 19 mm 7. 115–120 mm

NÄIDE 115 mm kuni 120 mm ja paksema materjali saagimiseks kasutage järgmise paksusega puitäärist.

Eerunginurk	Vastas oleva puidu paksus	
	115 mm	120 mm
0°	20 mm	38 mm
Vasak ja parem 45°	15 mm	25 mm
Vasak ja parem 60°	15 mm	25 mm

Soone lõikamine

⚠HOIATUS: Ärge tehke niisugust saagimist laiemat tüüpi saeketta või soonesaagimiskettaga. Soonesaagimise katsed laiemat saeketta või soonesaagimiskettaga võivad kaasa tuua ootamatuid saagimistulemusi ja tagasilööke, mis võivad põhjustada tõsiseid vigastusi.

⚠HOIATUS: Kui teete teistsugust lõiget kui soonelõikamist, siis tooge stopperlatt kindlasti tagasi algasendisse. Kui stopperlatt on vales asendis, võivad saagimiskatsed kaasa tuua ootamatuid tulemusi ja tagasilööke, mis võivad põhjustada tõsiseid vigastusi.

Soonesarnase lõike puhul tegutsege järgmiselt:

1. Reguleerige reguleerimiskruviga tera alumist piirasendit ning piirake stopperlatiga tera lõikesügavust. Juhinduge eespool toodud lõigust „Stopperlatt“.
2. Saagige pärast saeketta alumise piirasendi reguleerimist töödeldavasse detaili laiuti paralleelsed sooned, kasutades liugsaagimist (press-saagimist).
▶ **Joon.54:** 1. Lõigake saega sooned.
3. Seejärel eemaldage peitliga soontevaheline materjal.

Spetsiaalne maksimaalse laiusega saagimisvõimsusega tehnika

Masina maksimaalse laiusega saagimisvõimsust on võimalik saavutada alljärgnevate sammude abil: Vt selle masina maksimaalse saagimislaiae kohta ptk TEHNILISED ANDMED osas „Lõikejõudlused erilõigete korral“.

1. Seadistage masina faasinurk 0° või 45° peale ja veenduge, et pöördalus oleks lukustatud. (Juhinduge lõigust „Eerunginurga reguleerimine“.)
2. Eemaldage ajutiselt nii parem- kui ka vasakpoolse ülemine piire ja pange kõrvale.
3. Saagige platvorm joonisel näidatud mõõdetesse, kasutades 38 mm paksust tasast pakku, näiteks puit, kihtpuit või puitkiudplaat.
▶ **Joon.55:** 1. 0° mõõdiku nurk: üle 450 mm 2. 45° mõõdiku nurk: üle 325 mm 3. 38 mm 4. üle 760 mm

⚠HOIATUS: Kasutage platvormina kindlasti tasast pakku. Pakk, mis ei ole tasane, võib saagimise ajal hakata liikuma, lõppedes seeläbi tagasilöögi ja tõsise vigastusega.

MÄRKUS: Maksimaalne saagimisvõimsus väheneb platvormi paksuse võrra.

4. Paigutage platvorm masinale selliselt, et see ulatub võrdselt üle kõikide masina aluse äärte. Kinnitage platvorm masina külge, kasutades nelja 6 mm puidukruvi, paigutades need läbi nelja augu alumistes piiretes.
▶ **Joon.56:** 1. Kruvid (kaks igal küljel) 2. Alumine piire 3. Alus 4. Platvorm

⚠HOIATUS: Kandke hoolt selle eest, et platvorm paikneks ühtlaselt vastu masina alust ning oleks nelja olemasoleva kruviaugu kaudu kindlalt fikseeritud alumiste piirete külge. Kui platvorm ei ole korralikult fikseeritud, võib see hakata liikuma ning lõppeda võimaliku tagasilöögi ja tõsise vigastusega.

⚠HOIATUS: Veenduge, et masin oleks kindlalt kinnitatud stabiilsele ja tasasele pinnale. Kui masin ei ole korralikult paigaldatud ja kinnitatud, võib see muutuda ebastabiilseks, mille tulemusel kaob kontroll masina üle ja/või see kukub ümber, mis võib lõppeda tõsise vigastusega.

5. Paigaldage ülemised piirded masinale.

⚠HOIATUS: Ärge kasutage masinat, mille ülemised piirded on paigaldamata. Ülemised piirded pakuvad tooriku lõikamiseks vajalikku tuge. Kui toorik ei ole piisavalt toestatud, võib see kontrolli kadumise tagajärjel hakata liikuma, lõppedes võimaliku tagasilöögi ja tõsise vigastusega.

6. Pange toorik platvormile, mis on fikseeritud masinale.
7. Fikseerige toorik enne saagimist kinnitusrakisega tugevasti vastu ülemisi piirdeid.
▶ **Joon.57:** 1. Ülemine piire 2. Vertikaalne kinnitusrakis 3. Toorik 4. Platvorm
8. Saagige aeglaselt läbi töödeldava eseme vastavalt kirjeldatud toimingule „Liuglõike (presslõike) tegemine (laiade detailide lõikamine)“.

⚠HOIATUS: Veenduge, et toorik oleks kinnitusrakisega fikseeritud, ning saagige aeglaselt. Kui toorik ei ole korralikult fikseeritud ning saagimine ei toimu aeglaselt, võib toorik hakata liikuma, lõppedes võimaliku tagasilöögi ja tõsise vigastusega.

⚠HOIATUS: Arvestage sellega, et platvorm võib pärast mitme erineva nurga all saagimist lõdveneda. Kui platvorm muutub pärast mitme soone saagimist lõdvemaks, tuleb platvorm välja vahetada. Kui lõdvenenud platvormi ei vahetata välja, siis võib toorik hakata saagimise ajal liikuma, põhjustades ootamatut tagasilööki ning tõsist kehavigastust.

Tööriista kandmine

Enne teisaldamist tuleb seade lahutada vooluvõrgust ja fikseerida kõik eerungisae liikuvad osad. Kontrollige alati järgmist:

- Tööriist on vooluvõrgust lahutatud.
- Kelk on 0° fasettnurga all ja fikseeritud.
- Kelk on langetatud ja lukustatud.
- Kelk on libistatud lõpuni vastu juhtpiiret ja lukustatud.
- Pöördalus on lõpuni parema eerunginurga asendis ja fikseeritud.
- Hoidikud on ära pandud ja fikseeritud.

Kandke tööriista joonisel näidatud viisi, hoides kinni tööriista aluse kummastki küljest.

▶ **Joon.58**

⚠HOIATUS: Kelgu tõstmise lukustustihvt on mõeldud ainult tööriista kandmiseks ja hoiule-panekuks, mitte löikamistöodeks. Lukustustihvti kasutamine saagimistöode ajal võib kaasa tuua saetera ootamatu nihkumise, põhjustades tagasilöögi ja tõsise vigastuse.

⚠ETTEVAATUST: Enne tööriista kandmist fikseerige kõik liikuvad osad. Kui masina osad peaksid selle kandmise ajal nihkuma või libisema, võib see kaasa tuua tasakaalu kaotuse ja põhjustada vigastuse.

HOOLDUS

⚠HOIATUS: Kandke alati enne kontrolli- või hooldustoimingute tegemist hooft selle eest, et tööriist oleks välja lülitatud ja vooluvõrgust eemaldatud. Kui masin ei ole välja lülitatud ja vooluvõrgust eemaldatud, võib see lõppeda ootamatust käivitumisest põhjustatud tõsise vigastusega.

⚠HOIATUS: Parima löikamistulemuse ja ohutuma töö huvides veenduge alati, et tera oleks terav ja puhas. Nüri ja/või määrduvad saekettaga saagimine võib kaasa tuua tagasilööke ning põhjustada tõsiseid vigastusi.

TÄHELEPANU: Ärge kunagi kasutage bensiini, vedeldit, alkoholi ega midagi muud sarnast. Selle tulemuseks võib olla luitumine, deformatsioon või pragunemine.

Lõikenurga reguleerimine

See tööriist on tehases hoolikalt reguleeritud ja joondatud, kuid rohmakas käsitlemine võib olla seadistusi mõjutanud. Kui tööriist pole korralikult joondatud, siis toimige järgmiselt:

Eerunginurk

Langetage käepide lukustustihvti abil madalaimasse asendisse ja lukustage. Suruge kelk vastu juhtpiiret. Lõdvendage käepide ning osutit ja eerunginurga skaalat hoidvad kruvid.

► **Joon.59:** 1. Osutil olev kruvi 2. Eerunginurga skaalal olevad kruvid 3. Eerungiskaala

Seadke pöördalus sundasendi funktsiooni abil 0° asendisse. Seadke tera külg kolmnurkse joonlaua või vinkli abil risti juhtpiirde esiküljega. Vinklit paigal hoides pingutage eerunginurga skaala kruvisid. Seejärel viige osutid (nii parem- kui ka vasakpoolne) kohakuti eerunginurga skaala 0° asendiga ja pingutage osutil olev kruvi.

► **Joon.60:** 1. Kolmnurkjoonlaud

Fassettnurk

0° kaldenurk

Suruge kelku juhtpiirde poole ja lukustage liugliikumine lukustustihvtiga. Langetage käepide lukustustihvti abil lõpuni madalaimasse asendisse ja lukustage ning vabastage seejärel nupp. Tera paremale kallutamiseks keerake 0° reguleerimispoliti kaks või kolm pööret vastupäeva.

► **Joon.61:** 1. 0° reguleerimispolit 2. Kruvi

Seadke tera serv ettevaatlikult risti pöördaluse ülapingnaga, kasutades kolmnurkjoonlauda, nurgikut vms, keerates 0° reguleerimispoliti päripäeva. Seejärel pingutage tugevalt nuppu, et fikseerida 0° nurk.

► **Joon.62:** 1. Kolmnurkjoonlaud 2. Saetera 3. Pöördaluse pealne pind

Kontrollige veel kord, kas tera külg on risti pöördaluse pinnaga. Lõdvendage osutil asuvat kruvi. Viige osuti kohakuti kaldenurga skaala 0° asendiga ja pingutage seejärel kruvi.

45° kaldenurk

TÄHELEPANU: Enne 45° kaldenurga reguleerimist lõpetage 0° kaldenurga reguleerimine.

Lõdvendage nupp ja kallutage kelk täielikult küljele, mida soovite kontrollida. Kontrollige, kas osuti näitab kaldenurga skaalal 45° positsiooni.

► **Joon.63**

Kui osuti ei näita 45° positsiooni, viige see kaldenurga skaala vastasküljel asuvat reguleerimispoliti keerates 45° asendisse.

► **Joon.64:** 1. Vasak 45° reguleerimispolit 2. Parema 45° reguleerimispolit

Laserijoone asendi reguleerimine

Ainult mudeli LS1219L kohta

⚠HOIATUS: Tööriist peab olema laserijoone reguleerimise ajal vooluvõrku ühendatud. Olge eriti tähelepanelik, et te reguleerimise ajal tööriista sisse ei lülitaks. Masina juhuslik sisselülitamine võib põhjustada tõsiseid vigastusi.

⚠ETTEVAATUST: Ärge kunagi vaadake otse laserikiire sisse. Laserikiire sattumine otse silma võib põhjustada tõsiseid nägemiskahjustusi.

TÄHELEPANU: Kontrollige regulaarselt laserijoone asendi täpsust.

TÄHELEPANU: Vältige tööriista põrutamist. See võib nihutada laserijoone vales või kahjustada laserit, lühendades selle tööiga.

TÄHELEPANU: Laseriseadme rikke korral laske masinat parandada volitatud Makita teeninduskeskuses.

Laserijoone liigutatav ulatus on määratud mõlemal küljel asuvate ulatuse reguleerimise kruvidega. Laserijoone muutmiseks tegutsege järgmiselt.

1. Eemaldage tööriist vooluvõrgust.
2. Tõmmake töödeldavale materjalile lõikejoon ning asetage materjal pöördulusele. Selles faasis ärge töödeldavat materjali veel kinnitusrakise ega muu sarnase kinnituseadmega fikseerige.
3. Langetage käepide ja joondage lõikejoon saeteraga.
4. Viige käepide tagasi algasendisse ja kinnitage töödeldav ese vertikaalse kinnitusrakisega selliselt, et töödeldav ese ei liiguks teie määratud asendist ära.
5. Ühendage tööriist vooluvõrku ja lülitage laser sisse.
6. Lõdvendage reguleerimiskruvi. Laserijoone terast eemale viimiseks keerake ulatuse reguleerimise kruvisid vastupäeva. Laserijoone terale lähemale viimiseks keerake ulatuse reguleerimise kruvisid päripäeva.

Laserijoone reguleerimine saetera vasakul küljel

- **Joon.65:** 1. Reguleerimiskruvi 2. Ulatuse reguleerimise kruvi 3. Kuuskantvõti 4. Laserijoon 5. Saetera

Laserijoone reguleerimine saetera paremal küljel

- **Joon.66:** 1. Reguleerimiskruvi 2. Ulatuse reguleerimise kruvi 3. Kuuskantvõti 4. Laserijoon 5. Saetera

7. Libistage reguleerimiskruvi asendisse, kus laserijoon on kohakuti lõikejoonega, ja pingutage seejärel.

MÄRKUS: Laserijoone liikumisulatus on tehases reguleeritud tera külgpinnast kuni 1 mm kaugusele.

Laseri läätse puhastamine

Ainult mudeli LS1219L kohta

Laseri läätse määrdumisel muutub laserikiir halvasti nähtavaks. Puhastage laseri läätse regulaarselt.

- **Joon.67:** 1. Kruvi 2. Läätse

Eemaldage tööriist vooluvõrgust. Lõdvendage kruvi ja tõmmake läätse välja. Puhastage läätse õrnalt niiske pehme lapiga.

TÄHELEPANU: Ärge eemaldage kruvi, mis läätse kinni hoiab. Kui läätse ei tule välja, lõdvendage kruvi mõnevõrra veel.

TÄHELEPANU: Ärge kasutage lambiklaasi puhastamiseks lahusteid ega naftapõhiseid puhastusaineid.

Süsiharjade asendamine

- **Joon.68:** 1. Piirmärgis

Võtke välja ja kontrollige sõeharju regulaarselt. Asendage sõeharjad uutega, kui need on piirmärgiseni kulunud. Hoidke sõeharjad puhtad, nii on neid lihtne hoidikutesse libistada. Mõlemad sõeharjad tuleb asendada korraga. Kasutage üksnes identseid sõeharju. Kasutage harjahoidikute kaante eemaldamiseks kruvi-keerajat. Võtke ära kulunud süsiharjad välja, paigaldage uued ning kinnitage harjahoidikute kaaned tagasi kohale.

- **Joon.69:** 1. Harja hoidekork

Pärast harjade vahetamist ühendage tööriist vooluvõrku ja töötage harjad sisse, lastes tööriistal ilma koormuseta umbes 10 minutit töötada. Seejärel kontrollige töötavat tööriista ja elektrilise piduri tööd lüliti päästiku vabastamisel. Kui elektriline pidur ei toimi korralikult, pöörduge masina parandamiseks Makita hoolduskeskusesse.

Pärast kasutamist

Pärast kasutamist pühkige tööriistale kogunenud laastud ja tolm riidelapi vms-ga ära. Hoidke terakaitse lõigus „Terakaitse“ toodud juhtnõore järgides puhtana. Rooste vältimiseks määrige tööriista libisevaid detaile masinaõliga.

Toote OHUTUSE ja TÕÕKINDLUSE tagamiseks tuleb vajalikud remonttööd ning muud hooldus- ja reguleerimistööd lasta teha Makita volitatud teeninduskeskustes või tehase teeninduskeskustes. Alati tuleb kasutada Makita varuosi.

VALIKULISED TARVIKUD

▲HOIATUS: Need Makita lisatarvikud on mõeldud kasutamiseks koos juhendis käsitletava Makita tööriistaga. Muude lisatarvikute kasutamine võib lõppeda tõsise vigastusega.

▲HOIATUS: Kasutage Makita lisatarvikuid ainult ostarbekohaselt. Lisatarviku väärkasutamine võib lõppeda tõsise vigastusega.

Saate vajaduse korral kohalikust Makita teeninduskeskusest lisateavet nende tarvikute kohta.

- Teras- ja karbiidotsaga saeterad
- Vertikaalne kinnitusrakis
- Horisontaalne kinnitusrakis
- Kaareprofiili stopperikomplekt
- Tolmukott
- Kolmnurkjoonlaud
- Kuuskantvõti
- Kuuskantvõti (mudeli LS1219L)

MÄRKUS: Mõned nimekirjas loetletud tarvikud võivad kuuluda standardvarustusse ning need on lisatud tööriista pakendisse. Need võivad riigiti erineda.

ТЕХНИЧЕСКИЕ ХАРАКТЕРИСТИКИ

Модель:		LS1219	LS1219L
Диаметр диска		305 мм	
Диаметр отверстия	Европейские страны	30 мм	
	Другие страны	25,4 мм	
Макс. толщина распила для пильного диска		3,2 мм	
Макс. угол резки		Справа 60°, слева 60°	
Макс. угол скоса		Справа 48°, слева 48°	
Число оборотов без нагрузки (об/мин)		3 200 мин ⁻¹	
Тип лазера		-	Красный лазер 650 нм, максимальная мощность < 1,6 мВт (лазер класса 2М)
Размеры (Д x Ш x В)		898 мм x 664 мм x 725 мм	
Масса нетто		29,3 кг	29,5 кг
Класс безопасности		□/II	

Размеры распиливаемой детали (В x Ш)

Угол резки			Угол скоса		
			45° (левый)	0°	45° (правый)
0°	-	-	61 мм x 382 мм 71 мм x 363мм	92 мм x 382 мм 107 мм x 363 мм	44 мм x 382 мм 54 мм x 363 мм
	Толщина деревянной накладки на направляющей линейке для увеличения высоты резания	20 мм	78 мм x 325 мм	115 мм x 325мм	61 мм x 325 мм
38 мм		80 мм x 292 мм	120 мм x 292 мм	-	
45° (правый и левый)	-	-	61 мм x 268 мм 71 мм x 255 мм	92 мм x 268 мм 107 мм x 255 мм	44 мм x 268 мм 54 мм x 255 мм
	Толщина деревянной накладки на направляющей линейке для увеличения высоты резания	15 мм	-	115 мм x 227 мм	-
25 мм		-	120 мм x 212 мм	-	
60° (правый и левый)	-	-	-	92 мм x 185 мм 107 мм x 178 мм	-
	Толщина деревянной накладки на направляющей линейке для увеличения высоты резания	15 мм	-	115 мм x 155 мм	-
25 мм		-	120 мм x 140 мм	-	

Размеры распиливаемой детали для особого резания

Тип резания	Режущая способность
Поясок со стеновым углом 45° (с применением ограничителя пояска)	203 мм
Основание (с применением горизонтальных тисков)	171 мм

- Благодаря нашей постоянно действующей программе исследований и разработок указанные здесь технические характеристики могут быть изменены без предварительного уведомления.
- Технические характеристики могут различаться в зависимости от страны.
- Масса в соответствии с процедурой EPTA 01/2014

СИМВОЛЫ

Ниже приведены символы, используемые для обозначения. Перед использованием убедитесь, что вы понимаете их значение.



Прочитайте руководство по эксплуатации.



ДВОЙНАЯ ИЗОЛЯЦИЯ



Для предотвращения травм от разлетающихся осколков после распиливания держите головку пилы опущенной вниз до тех пор, пока полотно не остановится полностью.



При выполнении скользящего распила сначала полностью вытяните каретку и нажмите ручку, затем подвиньте каретку к направляющей линейке.



Держите руки и пальцы на расстоянии от полотна.



Запрещается смотреть на лазерный луч. Прямое лазерное излучение может повредить зрение.



Только для стран ЕС
Не выбрасывайте электрическое оборудование вместе с обычным мусором! В рамках соблюдения Европейской Директивы по утилизации электрического и электронного оборудования и ее применения в соответствии с национальным законодательством, электрооборудование в конце срока своей службы должно утилизироваться отдельно и передаваться для утилизации на предприятие, соответствующее применяемым правилам охраны окружающей среды.

Назначение

Данный инструмент предназначен для точного распиливания деревянных деталей под прямым углом и под другими углами. При использовании соответствующего пильного диска также возможно распиливание деталей из алюминия.

Источник питания

Данный инструмент должен подключаться к источнику питания с напряжением, соответствующим напряжению, указанному на идентификационной пластине, и может работать только от однофазного источника переменного тока. Он имеет двойную изоляцию и поэтому может подключаться к розеткам без заземления.

Шум

Типичный уровень взвешенного звукового давления (A), измеренный в соответствии с EN62841:

Модель LS1219

Уровень звукового давления (L_{pA}): 91 дБ (A)

Уровень звуковой мощности (L_{WA}): 100 дБ (A)

Погрешность (K): 3 дБ (A)

Модель LS1219L

Уровень звукового давления (L_{pA}): 91 дБ (A)

Уровень звуковой мощности (L_{WA}): 100 дБ (A)

Погрешность (K): 3 дБ (A)

⚠ ОСТОРОЖНО: Используйте средства защиты слуха.

Вибрация

Суммарное значение вибрации (сумма векторов по трем осям), определенное в соответствии с EN62841:

Модель LS1219

Распространение вибрации (a_{h1}): 2,5 м/с² или менее

Погрешность (K): 1,5 м/с²

Модель LS1219L

Распространение вибрации (a_{h1}): 2,5 м/с² или менее

Погрешность (K): 1,5 м/с²

ПРИМЕЧАНИЕ: Заявленное значение распространения вибрации измерено в соответствии со стандартной методикой испытаний и может быть использовано для сравнения инструментов.

ПРИМЕЧАНИЕ: Заявленное значение распространения вибрации можно также использовать для предварительных оценок воздействия.

⚠ ОСТОРОЖНО: Распространение вибрации во время фактического использования электроинструмента может отличаться от заявленного значения в зависимости от способа применения инструмента.

⚠ ОСТОРОЖНО: Обязательно определите меры безопасности для защиты оператора, основанные на оценке воздействия в реальных условиях использования (с учетом всех этапов рабочего цикла, таких как выключение инструмента, работа без нагрузки и включение).

Декларация о соответствии ЕС

Только для европейских стран

Декларация о соответствии ЕС включена в руководство по эксплуатации (Приложение А).

МЕРЫ БЕЗОПАСНОСТИ

Общие рекомендации по технике безопасности для электроинструментов

⚠ ОСТОРОЖНО: Ознакомьтесь со всеми представленными инструкциями по технике безопасности, указаниями, иллюстрациями и техническими характеристиками, прилагаемыми к данному электроинструменту. Несоблюдение каких-либо инструкций, указанных ниже, может привести к поражению электрическим током, пожару и/или серьезной травме.

Сохраните брошюру с инструкциями и рекомендациями для дальнейшего использования.

Термин "электроинструмент" в предупреждениях относится ко всему инструменту, работающему от сети (с проводом) или на аккумуляторах (без провода).

Инструкции по технике безопасности для торцовочных пил

1. Торцовочные пилы предназначены для распиливания дерева или древесноподобных изделий и не предназначены для работы с абразивными отрезными дисками для резания изделий из черного металла, таких как брусья, прутья, стержни и т.п. Абразивный порошок приводит к заклиниванию нижнего щитка. Искры от абразивной резки обжигают нижний щиток, вставную режущую пластину и другие пластиковые компоненты.
 2. По возможности используйте тиски для закрепления детали. Если вы держите распиливаемую деталь в руках, то следите, чтобы они были на расстоянии не менее 100 мм с каждой стороны от пильного диска. Не используйте эту пилу для распиливания деталей, которые в силу их малых размеров невозможно надежно закрепить в тисках или удержать руками. Близкое положение рук по отношению к пильному диску повышает риск получения травмы от контакта с диском.
 3. Распиливаемую деталь необходимо прочно закрепить или крепко неподвижно держать по отношению к ограде и столу. Не подавайте деталь на пильный диск и не выполняйте каких-либо действий одними руками. Незакрепленные и подвижные детали могут быть отброшены диском, вращающимся с высокой частотой, что может привести к травмам.
 4. Вдавливайте пилу для резания детали. Не тяните пилу для резания детали. Чтобы сделать распил детали, установите головку пилы над деталью, не разрезая ее, запустите мотор, вдавите головку и затем всю пилу. Если тянуть пилу, то пильный диск поднимется кверху детали и резко сорвется к сторону оператора.
 5. Никогда не оставляйте руку на намеченной линии распила ни за, ни перед пильным диском. Удерживание детали "крест-накрест", т.е. левой рукой с правой стороны или наоборот крайне опасно.
- Рис. 1
6. Не заносите руку за ограду на расстояние менее 100 мм от каждой стороны пильного диска для того чтобы убрать опилки, или по любой другой причине, пока диск вращается. Вы можете неправильно оценить близость вращающегося пильного диска по отношению к вашей руке, и это может стать причиной серьезной травмы.
 7. Перед распиливанием осмотрите деталь. Если деталь изогнута или перекручена, зажмите ее внешней изогнутой стороной к ограде. Убедитесь, что вдоль линии распила между деталью, оградой и столом нет зазоров. Изогнутые или перекрученные детали могут выкручиваться и смещаться, что приводит к заклиниванию пильного диска во время резания. В детали не должно быть гвоздей и других посторонних предметов.
 8. Перед использованием пилы уберите со стола все инструменты, опилки и т.п. Оставьте только деталь. Мелкий мусор и частички дерева или другие предметы при контакте с вращающимся диском могут быть отброшены на высокой скорости.
 9. За один раз возможно распиливание только одной детали. Детали, сложенные в стопку, невозможно закрепить должным образом, и они могут застрять на диске или смещаться по ходу резания.
 10. Перед использованием торцовочной пилы убедитесь, что она установлена на твердой ровной поверхности. Твердая и ровная поверхность исключает риск дестабилизации торцовочной пилы.
 11. Составьте план работы. Каждый раз, изменяя угол скоса или торца, убеждайтесь в правильной установке ограды для поддержки детали, при которой она не будет мешать пильному диску и защитной системе. Не включая инструмент и без детали на столе, проведите пильный диск вдоль намеченной линии распила, чтобы убедиться в отсутствии преград и риска повреждения ограды.
 12. Обеспечьте надежную поддержку в виде удлинителей стола, козел и т.п. для детали, которая шире или длиннее поверхности стола. Детали, которые длиннее или шире стола торцовочной пилы, без надежной опоры могут опрокидываться. При опрокидывании обрезков или детали возможно отбрасывание от вращающегося диска или поднятие нижнего щитка.
 13. Не просите других людей поддержать детали. Неустойчивая опора детали может привести к застреванию диска или смещению детали во время резания, что притянет вас и вашего помощника к вращающемуся диску.
 14. Обрезок не должен быть каким-либо образом зажат или прижат к вращающемуся пильному диску. Если обрезок привязан упором для установки длины, то он может быть заклинен на диске и с силой отброшен.
 15. Используйте тиски или специальную подставку для обеспечения должной опоры круглым деталям, таким как прутья или трубки. Путья могут скатываться во время резания, из-за чего диск оставляет зацепы и притягивает их вместе с рукой к себе.
 16. Перед тем как опустить диск на деталь, дождитесь, чтобы он набрал полную скорость вращения. Эта мера позволит избежать риска отбрасывания детали.
 17. Если деталь или диск застревает, выключите торцовочную пилу. Дождитесь полной остановки всех подвижных деталей и отключите инструмент от источника питания и/или извлеките аккумулятор. Затем приступайте к извлечению застрявшего материала. Если продолжить распиливание застрявшей детали, может произойти потеря управления или может быть нанесен вред торцовочной пиле.
 18. По завершении распиливания выключите устройство, приведите головку пилы в нижнее положение и дождитесь остановки вращения диска, прежде чем забирать обрезок. Подносить руку к диску, вращающемуся по инерции, опасно.
 19. При выполнении неполного распила или при выключении устройства крепко держите рукоятку, пока головка пилы не опустится. Торможение пилы может привести к резкому опусканию головки, что, в свою очередь, может привести к травмам.

20. Разрешается использовать только пильные диски с диаметром, соответствующим указанному на инструменте или в руководстве. Применение диска неверного размера может препятствовать надлежащей защите диска или мешать работе защитного кожуха, что, в свою очередь, может стать причиной серьезных травм.
21. Используйте только пильные диски, маркировка максимальной скорости которых равна или выше скорости, указанной на инструменте.
22. Используйте пилу только для резки древесины, алюминия или подобных материалов.
23. (Только для европейских стран) Используйте диски, соответствующие EN847-1.
11. Пользуйтесь только фланцами, предназначенными для данного инструмента.
12. Следите за тем, чтобы не повредить шпindelю, фланцы (особенно монтажную поверхность) или болт. Повреждение этих деталей может привести к поломке диска.
13. Убедитесь в прочном креплении поворотного основания и в его неподвижности во время выполнения работ. С помощью отверстий в основании прикрепите пилу к устойчивой рабочей поверхности или верстаке. НИКОГДА не используйте инструмент в неудобном для оператора положении.

Дополнительные инструкции

1. Ограничьте доступ детей к мастерской с помощью замка.
2. Не становитесь ногами на инструмент. Опрокидывание инструмента или непреднамеренный контакт с режущим узлом могут привести к серьезным травмам.
3. Никогда не оставляйте работающий инструмент без присмотра. Выключайте питание. Не отходите от инструмента до его полной остановки.
4. Не эксплуатируйте пилу без установленных ограждений. Перед каждым использованием проверяйте ограждение полотна. Не эксплуатируйте пилу, если ограждение полотна не перемещается свободно и мгновенно не закрывается. Запрещается фиксировать или привязывать ограждение в открытом положении.
5. Держите руки на расстоянии от направления движения пильного диска. Избегайте контакта с любым диском, вращающимся по инерции. Он все еще может причинить серьезные травмы.
6. Чтобы снизить риск получения травмы, каждый раз по завершении поперечного распила возвращайте каретку до упора в заднее положение.
7. Перед переноской инструмента обязательно закрепите все подвижные части.
8. Стопорный штифт, блокирующий шпindelную головку, предназначен только для переноски и хранения, а не для каких-либо операций резки.
9. Перед эксплуатацией тщательно осмотрите диск и убедитесь в отсутствии трещин или повреждений. Немедленно замените треснувший или поврежденный диск. Смола и древесный пек, затвердевшие на пильных дисках, снижают производительность пилы и повышают потенциальный риск отдачи. Содержите пилу в чистоте. Для этого снимайте ее с инструмента и очищайте растворителем смолы и древесного пека, горячей водой или керосином. Не используйте бензин для очистки диска.
10. Во время выполнения скользящего распила может произойти ОТДАЧА. ОТДАЧА происходит, если диск заедает во время распила детали и резко отскакивает в сторону оператора. Это может привести к потере управления и серьезным травмам. Если диск заедает во время распила, немедленно прекратите работу и выключите устройство.
14. Перед включением выключателя убедитесь в том, что блокировка вала снята.
15. Следите за тем, чтобы диск не касался поворотного основания в самом нижнем положении.
16. Крепко держите ручку. Помните, что во время запуска и остановки пила немного движется вверх или вниз.
17. Перед включением убедитесь в том, что полотно не касается обрабатываемой детали.
18. Перед использованием инструмента на детали дайте ему немного поработать вхолостую. Убедитесь в отсутствии вибрации или биения, которые могут свидетельствовать о неправильной установке или дисбалансе лезвия.
19. Немедленно прекратите работу, если вы заметили какие-либо отклонения.
20. Не пытайтесь заблокировать триггерный переключатель во включенном положении.
21. Обязательно используйте принадлежности, рекомендованные в данном руководстве. Использование несоответствующих принадлежностей, таких как, например, абразивные круги, может привести к травме.
22. Некоторые материалы могут содержать токсичные химические вещества. Примите соответствующие меры предосторожности, чтобы избежать вдыхания или контакта с кожей таких веществ. Соблюдайте требования, указанные в паспорте безопасности материала.

Дополнительные правила техники безопасности диска лазера

1. ЛАЗЕРНОЕ ИЗЛУЧЕНИЕ, НЕ СМОТРЕТЬ НА ЛУЧ ИЛИ ЧЕРЕЗ ОПТИЧЕСКИЕ ПРИБОРЫ, ЛАЗЕРНОЕ УСТРОЙСТВО КЛАССА 2М.

СОХРАНИТЕ ДАННЫЕ ИНСТРУКЦИИ.

▲ОСТОРОЖНО: НЕ ДОПУСКАЙТЕ, чтобы удобство или опыт эксплуатации данного устройства (полученный от многократного использования) доминировали над строгим соблюдением правил техники безопасности при обращении с этим устройством. **НЕПРАВИЛЬНОЕ ИСПОЛЬЗОВАНИЕ** инструмента или несоблюдение правил техники безопасности, указанных в данном руководстве, может привести к тяжелой травме.

ОПИСАНИЕ ДЕТАЛЕЙ

► Рис.2

1	Подвижная стойка	2	Стопорный штифт (для перемещения каретки)	3	Вертикальные тиски	4	Кнопка разблокировки (для правого угла скоса)
5	Держатель	6	Поворотное основание	7	Указатель (для угла резки)	8	Шкала угла резки
9	Планка для пропилов	10	Корпус диска	11	Винт регулировки (для лазерной линии)	12	Винт регулировки диапазона (для лазерной линии)
13	Ограждение диска	14	Регулятор (для угла скоса)	15	Шестигранный ключ	16	Регулировочный винт (для нижнего предельного положения)
17	Регулировочный болт (для максимальной режущей способности)	18	Стопорный рычаг	19	Рычаг блокировки (для поворотного основания)	20	Рычаг разблокировки (для поворотного основания)
21	Рукоятка (для поворотного основания)	-	-	-	-	-	-

► Рис.3

1	Триггерный переключатель	2	Кнопка разблокировки	3	Отверстие для навесного замка	4	Переключатель (для лазерной линии)
5	Шланг (для пылеудаления)	6	Стопорный штифт (для подъема каретки)	7	Направляющая линейка (нижнее ограждение)	8	Направляющая линейка (верхнее ограждение)
9	Пылесборный мешок	10	Болт регулировки 0° (для угла скоса)	11	Шкала угла скоса	12	Рычаг разблокировки (для угла скоса 48°)
13	Рычаг с предохранительной защелкой (для угла скоса)	14	Указатель (для угла скоса)	15	Болт регулировки 45° (для угла скоса)	-	-

УСТАНОВКА

Установка рукоятки

Ввинтите резьбовой вал рукоятки в поворотное основание.

► Рис.4: 1. Ручка 2. Поворотное основание

Установка шланга пылеудаления

Подсоедините шланг пылеудаления к инструменту, как показано на рисунке.

Убедитесь, что колено и рукав надежно подсоединены к отверстиям инструмента.

► Рис.5: 1. Шланг пылеудаления 2. Колено 3. Муфта 4. Отверстие

Установка на верстак

При поставке инструмента рукоятка заблокирована в нижнем положении с помощью стопорного штифта. Во время опускания рукоятки потяните стопорный штифт и поверните его на 90°.

► Рис.6: 1. Положение блокировки 2. Положение разблокировки 3. Стопорный штифт

Данный инструмент необходимо прикрутить четырьмя болтами к ровной и устойчивой поверхности, используя отверстия для болтов в основании инструмента. Это поможет предотвратить опрокидывание и возможные травмы.

► Рис.7: 1. Болт

▲ОСТОРОЖНО: Убедитесь, что инструмент не перемещается на опорной поверхности. Перемещение торцовочной пилы на опорной поверхности во время резки может привести к потере контроля над инструментом и получению тяжелой травмы.

ОПИСАНИЕ РАБОТЫ

▲ ОСТОРОЖНО: Перед регулировкой или проверкой функций инструмента обязательно убедитесь, что он выключен и его вилка вынута из розетки. Несоблюдение этого требования может стать причиной тяжелой травмы из-за случайного включения инструмента.

Ограждение диска

► **Рис.8:** 1. Ограждение диска

При опускании рукоятки ограждение диска поднимается автоматически. Ограждение подпружинено, поэтому после окончания распиливания и подъема рукоятки оно возвращается в исходное положение.

▲ ОСТОРОЖНО: Запрещается ломать или снимать ограждение режущего диска или пружину, соединенную с ограждением. Открытый диск, в случае поломки ограждения, может стать причиной тяжелых травм во время работы.

Для обеспечения личной безопасности всегда поддерживайте ограждение диска в рабочем состоянии. Немедленно устраняйте любые неисправности ограждения диска. Убедитесь в возвратном действии ограждения под нагрузкой пружины.

▲ ОСТОРОЖНО: Запрещается пользоваться инструментом, если ограждение диска или пружина повреждены, неисправны или сняты. Эксплуатация инструмента с поврежденным, неисправным или снятым ограждением может привести к тяжелой травме.

Если видимая часть ограждения диска загрязнится, или если опилки настолько прилипнут к нему, что диск и/или обрабатываемую деталь уже нельзя будет увидеть, выньте штекер пилы из розетки питания и тщательно очистите ограждение влажной тканью. Для очистки пластикового ограждения не используйте растворители или очистители на основе бензина. Они могут повредить ограждение.

Если ограждение диска сильно загрязнено и через него ничего не видно, отключите питание инструмента, ослабьте шестигранный болт центральной крышки при помощи поставляемого с инструментом гаечного ключа. Ослабьте шестигранный болт, повернув его против часовой стрелки, и поднимите ограждение диска и центральную крышку. Такое положение ограждения диска позволит полностью и эффективно очистить его. После очистки выполните описанные выше операции в обратном порядке и затяните болт. Не снимайте пружину крепления ограждения диска. При обесцвечивании ограждения со временем или под воздействием ультрафиолетовых лучей свяжитесь с сервисным центром компании Makita, чтобы получить новое ограждение. **НЕ ЛОМАЙТЕ И НЕ СНИМАЙТЕ ОГРАЖДЕНИЕ.**

► **Рис.9:** 1. Центральная крышка 2. Шестигранный ключ 3. Ограждение диска

Планки для пропилов

Данный инструмент оборудован планками для пропилов в поворотном основании для уменьшения разрыва на выходной стороне распила. Планки для пропилов отрегулированы на предприятии-изготовителе таким образом, что пильный диск не касается планок для пропилов. Перед использованием планок для пропилов отрегулируйте их следующим образом.

► **Рис.10:** 1. Планка для пропилов

► **Рис.11:** 1. Резка со скосом влево 2. Прямая резка 3. Резка со скосом вправо 4. Пильный диск 5. Зубья диска 6. Планка для пропилов

Сначала выньте штекер инструмента из розетки. Ослабьте все винты (2 слева и справа), с помощью которых крепятся планки для пропилов, затем снимите планки вручную. Полностью опустите ручку, затем потяните и поверните стопорный штифт, чтобы зафиксировать ее в опущенном положении. Отпустите стопорный штифт на подвижной стойке и потяните каретку вперед до упора. Отрегулируйте положение планок для пропилов так, чтобы они слегка касались боковых сторон зубьев диска. Затяните передние винты (не затягивайте их сильно). До конца задвиньте каретку к направляющей линейке и отрегулируйте положение планок для пропилов так, чтобы они слегка касались боковых сторон зубьев диска. Затяните задние винты (не затягивайте их сильно).

После регулировки планок для пропилов отпустите стопорный штифт и поднимите рукоятку. Затем крепко затяните все винты.

ПРИМЕЧАНИЕ: Установив угол скоса, убедитесь в правильной регулировке планок для пропилов. Правильная регулировка плашек для распила помогает добиться надежной опоры для детали, сводя к минимуму возможность ее срыва с крепления.

Обеспечение максимальной режущей способности

Данный инструмент отрегулирован на заводе таким образом, чтобы обеспечить максимальную режущую способность 305 мм для пильного полотна.

При установке нового диска всегда проверяйте нижнее предельное положение диска. При необходимости, выполните регулировку следующим образом.

Сначала выньте штекер инструмента из розетки. Поверните рычаг ограничителя в положение включения.

► **Рис.12:** 1. Рычаг ограничителя

Полностью задвиньте каретку к направляющей линейке и полностью опустите рукоятку. Отрегулируйте положение диска, повернув регулировочный болт с помощью шестигранного ключа. Внешний край диска должен слегка выступать за пределы верхней поверхности поворотного основания, а также доходить до точки, в которой передняя поверхность направляющей линейки стыкуется с верхней поверхностью поворотного основания.

► **Рис.13:** 1. Регулировочный болт

► **Рис.14:** 1. Верхняя поверхность поворотного основания 2. Внешний край диска 3. Направляющая линейка

Отключите инструмент от сети, вручную вращайте диск, нажимая на рукоятку до упора, чтобы убедиться в том, что диск не касается никакой из частей нижнего основания. При необходимости выполните повторную точную регулировку.

После настройки обязательно возвращайте стопорный рычаг в исходное положение.

⚠ОСТОРОЖНО: После установки новой дисковой пилы всегда проверяйте, соприкасается пила или нет с какой-либо частью нижнего основания при полностью опущенной ручке. Задевание диском основания может стать причиной отдачи и тяжелых травм.

Стопорный рычаг

Нижнее предельное положение диска легко регулируется с помощью стопорного рычага. Для регулировки поверните стопорный рычаг в направлении стрелки, как показано на рисунке. Поверните регулировочный винт так, чтобы диск останавливался в необходимом положении при полном опускании рукоятки.

► **Рис.15:** 1. Стопорный рычаг 2. Регулировочный винт

Регулировка угла резки

⚠ВНИМАНИЕ: После изменения угла резки обязательно закрепите поворотное основание, крепко затянув рукоятку.

ПРИМЕЧАНИЕ: При повороте основания обязательно полностью поднимите рукоятку.

► **Рис.16:** 1. Рычаг блокировки 2. Ручка 3. Рычаг разблокировки 4. Указатель

Поверните против часовой стрелки ручку, отвечающую за разблокировку поворотного основания. Поверните ручку, удерживая в нижнем положении рычаг блокировки, чтобы повернуть основание. Установите указатель на нужный угол на шкале, затем затяните ручку.

ПРИМЕЧАНИЕ: Если отпустить рычаг разблокировки, изменить положение поворотного основания будет возможно, не удерживая рычаг блокировки в нижнем положении. Затяните ручку, обеспечив необходимое положение.

Эта торцовочная пила оснащена функцией блокировки. Можно быстро установить 0°, 15°, 22,5°, 31,6°, 45° и 60° угол резки справа/слева. Для того чтобы использовать эту функцию, установите поворотное основание в положение, наиболее близкое к необходимому углу блокировки, удерживая рычаг блокировки в нижнем положении. Затем отпустите рычаг блокировки и переместите поворотное основание вперед до тех пор, пока оно не будет заблокировано.

Регулировка угла скоса

ПРИМЕЧАНИЕ: Перед установкой угла резки всегда снимайте верхние направляющие линейки и вертикальные тиски.

ПРИМЕЧАНИЕ: При изменении углов скоса обязательно устанавливайте планки для пропилов в надлежащее положение согласно разделу "Планки для пропилов".

ПРИМЕЧАНИЕ: При наклоне пильного диска обязательно полностью поднимите рукоятку.

ПРИМЕЧАНИЕ: Не затягивайте ручку слишком сильно. Это может вызвать неисправность стопорного механизма угла скоса.

1. Поверните регулятор на подвижной стойке против часовой стрелки.

► **Рис.17:** 1. Круглая ручка

2. Потяните и поверните рычаг с предохранительной защелкой в показанное на рисунке положение.

► **Рис.18:** 1. Рычаг с предохранительной защелкой

3. Установите указатель на нужный угол на шкале, перемещая каретку, затем затяните регулятор.

► **Рис.19:** 1. Шкала угла скоса 2. Указатель

Чтобы наклонить каретку вправо, наклоните ее слегка влево, затем наклоните каретку вправо, нажимая кнопку разблокировки.

► **Рис.20:** 1. Кнопка разблокировки

Если вы осуществляете резку со скосом больше 45°, переместите каретку, постепенно смещая рычаг разблокировки вперед по отношению к инструменту. Вы можете совершить резку со скосом до 48°.

► **Рис.21:** 1. Рычаг разблокировки

Эта торцовочная пила оснащена функцией блокировки. Можно быстро установить угол 22,5° и 33,9° справа и слева. Установите рычаг с предохранительной защелкой в положение, показанное на рисунке, и наклоните каретку. Чтобы изменить угол, потяните за рычаг с предохранительной защелкой и наклоните каретку.

► **Рис.22:** 1. Рычаг с предохранительной защелкой

⚠ВНИМАНИЕ: После изменения угла скоса всегда фиксируйте регулятор.

Блокировка движения

Чтобы заблокировать скольжение каретки, перемещайте каретку по направлению к направляющей линейке, пока она не остановится. Потяните стопорный штифт и поверните его на 90°.

► **Рис.23:** 1. Положение разблокировки

2. Положение блокировки 3. Стопорный штифт

⚠ОСТОРОЖНО: Перед включением инструмента в розетку обязательно убедитесь, что триггерный переключатель работает надлежащим образом и возвращается в положение «ВЫКЛ», если его отпустить. Не нажимайте сильно на триггерный переключатель без нажатия на кнопку разблокировки. Это может привести к поломке переключателя.

Эксплуатация инструмента с неисправным переключателем может привести к потере контроля над инструментом и получению тяжелой травмы.

⚠ОСТОРОЖНО: ЗАПРЕЩАЕТСЯ эксплуатировать инструмент с неисправным триггерным переключателем. Инструмент с неисправным триггерным переключателем КРАЙНЕ ОПАСЕН, перед дальнейшим использованием его необходимо отремонтировать. В противном случае можно получить тяжелую травму.

⚠ОСТОРОЖНО: ЗАПРЕЩАЕТСЯ нарушать работу кнопки разблокировки, заклеивая ее скотчем или другими способами. Выключатель с неработающей кнопкой разблокировки может стать причиной случайного включения и причинения тяжелой травмы.

⚠ОСТОРОЖНО: ЗАПРЕЩАЕТСЯ использовать инструмент, когда он работает при простом нажатии на триггерный переключатель без нажатия на кнопку разблокировки.

Требующий ремонта инструмент может случайно включиться и причинить тяжелую травму. Верните инструмент в сервисный центр Makita для надлежащего ремонта ДЮ продолжения его эксплуатации.

- **Рис.24:** 1. Триггерный переключатель 2. Кнопка разблокировки 3. Отверстие для навесного замка

Для предотвращения непреднамеренного включения триггерного переключателя имеется кнопка разблокировки. Для включения инструмента нажмите на кнопку разблокировки, а затем на триггерный переключатель. Отпустите триггерный переключатель для остановки.

В триггерном переключателе предусмотрено отверстие под дужку навесного замка для блокировки инструмента.

⚠ОСТОРОЖНО: Не используйте замок с дужкой или тросом диаметром менее 6,35 мм. Дужка или трос меньшего размера может не полностью зафиксировать инструмент в выключенном положении, что может стать причиной случайного включения и причинения тяжелой травмы.

Постоянный контроль скорости

Инструмент снабжен электронным регулятором скорости, который позволяет поддерживать постоянную скорость вращения диска даже под нагрузкой. Постоянная скорость вращения диска обеспечивает гладкий разрез.

Функция плавного запуска

Эта функция позволяет плавно включать инструмент путем ограничения пускового момента.

Действие лазерного луча

Только LS1219L

⚠ВНИМАНИЕ: Запрещается смотреть на лазерный луч. Прямое лазерное излучение может повредить зрение.

Чтобы включить лазерную подсветку, нажмите выключатель в верхней части (1). Чтобы выключить лазерную подсветку, нажмите выключатель в нижней части (0)

- **Рис.25:** 1. Переключатель лазера

Линию лазера можно смещать либо на левую, либо на правую сторону пильного диска с помощью регулировочного винта следующим образом.

- **Рис.26:** 1. Регулировочный винт

1. Ослабьте регулировочный винт, повернув его против часовой стрелки.
2. Ослабив регулировочный винт, сдвиньте регулировочный винт вправо или влево до упора.
3. Крепко затяните регулировочный винт в крайнем положении сдвига.

ПРИМЕЧАНИЕ: Лазерная линия регулируется на заводе, поэтому она располагается в пределах 1 мм от боковой поверхности диска (положение резки).

ПРИМЕЧАНИЕ: Если лазерный луч плохо видно из-за яркого солнца, сдвиньте рабочее место туда, где солнце не такое яркое.

Регулировка лазерной линии

Совместите линию резки на обрабатываемой детали с лазерной линией.

- **Рис.27**

- A) Если необходимо скорректировать размер на левой части детали, переместите лазерную линию на левую часть диска.
B) Если необходимо скорректировать размер на правой части детали, переместите лазерную линию на правую часть диска.

ПРИМЕЧАНИЕ: Приложите деревянную облицовку к направляющей линейке при выравнивании линии резки с лазерной линией со стороны направляющей линейки при составной резке (угол скоса 45° и угол резки 45°).

СБОРКА

⚠ ОСТОРОЖНО: Перед выполнением каких-либо работ на инструменте обязательно убедитесь, что он выключен, и его вилка выключена из розетки. Несоблюдение данного требования может привести к серьезным травмам.

Хранение шестигранного ключа

Когда шестигранный ключ не используется, храните его, как показано на рисунке, чтобы не потерять.

► **Рис.28:** 1. Шестигранный ключ

Снятие и установка пильного диска

⚠ ОСТОРОЖНО: Перед установкой или снятием диска убедитесь, что инструмент выключен, а шнур вынут из розетки электропитания. Случайное включение инструмента может привести к тяжелым травмам.

⚠ ОСТОРОЖНО: Для установки или снятия диска пользуйтесь только гаечным ключом Makita. Несоблюдение данного требования может привести к слишком сильной затяжке или недостаточной затяжке болта с внутренним шестигранником и серьезным травмам.

Всегда блокируйте каретку в верхнем положении при снятии и установке диска. Потяните стопорный штифт и поверните его на 90° при поднятой каретке.

► **Рис.29:** 1. Положение разблокировки
2. Положение блокировки 3. Стопорный штифт

Снятие диска

Ослабьте болт с шестигранной головкой, удерживающий центральную крышку, с помощью шестигранного ключа. Поднимите ограждение диска и центральную крышку.

► **Рис.30:** 1. Центральная крышка
2. Шестигранный ключ 3. Ограждение диска

Нажмите на кнопку фиксации вала, чтобы заблокировать шпindel, и при помощи шестигранного ключа ослабьте болт с внутренним шестигранником. Затем снимите болт с внутренним шестигранником, внешний фланец и диск.

► **Рис.31:** 1. Фиксатор вала 2. Шестигранный ключ
3. Болт с внутренним шестигранником (с левой резьбой) 4. Ослабить 5. Затянуть

Установка диска

Для установки диска осторожно наденьте его на шпindel, убедившись в том, что стрелка на поверхности диска указывает в том же направлении, что и стрелка на корпусе диска.

► **Рис.32:** 1. Стрелка на корпусе диска 2. Стрелка на диске

Установите внешний фланец и болт с внутренним шестигранником. Затяните болт с внутренним шестигранником против часовой стрелки с помощью шестигранного ключа, надавив на фиксатор вала.

► **Рис.33:** 1. Болт с внутренним шестигранником
2. Наружный фланец 3. Пильный диск
4. Внутренний фланец 5. Шпindel
6. Кольцо

ПРИМЕЧАНИЕ: При удалении внутреннего фланца обязательно установите его на шпindel выступающей частью от диска. Если фланец установлен неправильно, он будет задевать инструмент.

Верните ограждение диска и центральную крышку в первоначальное положение. Затем затяните шестигранный болт по часовой стрелке, чтобы закрепить центральную крышку. Разблокируйте стопорный штифт, чтобы вывести каретку из верхнего положения. Опустите рукоятку, чтобы убедиться, что ограждение диска свободно перемещается. Перед началом работы убедитесь в том, что фиксатор вала разблокировал шпindel.

⚠ ОСТОРОЖНО: Перед установкой диска на шпindel всегда проверяйте, что между внутренним и внешним фланцами установлено кольцо с соответствующим отверстием для того диска, который вы собираетесь использовать. Использование неправильного кольца с отверстием может привести к неправильной установке диска, что вызовет его перемещение и сильную вибрацию, которая может стать причиной потери контроля над инструментом во время работы и причинения тяжелых травм.

Подключение пылесоса

При необходимости выполнения чистого распиливания подключите пылесос Makita к пылесборному патрубку с помощью передних патрубков 24 (дополнительное приспособление).

► **Рис.34:** 1. Передние патрубки 24 2. Шланг
3. Пылесос

Пылесборный мешок

Использование пылесборного мешка обеспечивает чистоту при выполнении работ и легкость сбора пыли. Чтобы прикрепить пылесборный мешок, снимите шланг пылеудаления инструмента и присоедините мешок.

► **Рис.35:** 1. Шланг пылеудаления 2. Пылесборный мешок

Когда пылесборный мешок заполнится примерно наполовину, снимите его с инструмента и вытяните зажим. Удалите содержимое пылесборного мешка, слегка ударив по нему, чтобы удалить частицы, прилипшие к внутренней части, которые могут ухудшить дальнейший сбор пыли.

► **Рис.36:** 1. Крепление

Крепление обрабатываемой детали

▲ ОСТОРОЖНО: Очень важно правильно закреплять деталь в тисках или в ограничителях. Невыполнение этого требования может привести к тяжелым травмам и повреждению инструмента и/или детали.

▲ ОСТОРОЖНО: После завершения распиливания не поднимайте диск до тех пор, пока он не остановится полностью. Поднятие вращающегося диска может привести к тяжелым травмам и повреждению детали.

▲ ОСТОРОЖНО: При отрезании детали, длина которой больше опорного основания пилы, необходимо поддерживать выступающую часть по всей длине и на одном уровне, чтобы деталь была ровной. Надлежащая опора детали поможет предотвратить защемление диска и возможную отдачу, которая может привести к тяжелым травмам. Не полагайтесь исключительно на вертикальные тиски и/или на горизонтальные тиски при креплении обрабатываемой детали. Тонкий материал подвержен прогибам. Обеспечьте опору для обрабатываемой детали по всей ее длине, чтобы избежать защемления диска и возможной ОТДАЧИ.

► Рис.37: 1. Опора 2. Поворотное основание

Направляющие линейки

▲ ОСТОРОЖНО: Перед включением инструмента убедитесь, что верхнее ограждение надежно закреплено.

▲ ОСТОРОЖНО: Перед срезанием фаски убедитесь, что инструмент (особенно режущий диск), не касается верхнего и нижнего ограждения при полном опускании и подъеме рукоятки, а также при перемещении каретки по всей длине. Если инструмент или диск коснется ограждения, это может привести к отдаче или неожиданному перемещению материала и тяжелым травмам.

Используйте верхние ограждения для удерживания материала так, чтобы он не касался нижних ограждений. Вставьте верхнее ограждение в отверстие в нижнем ограждении и затяните зажимной винт.

► Рис.38: 1. Верхнее ограждение 2. Нижнее ограждение 3. Зажимной винт 4. Регулировочный винт

ПРИМЕЧАНИЕ: Нижние ограждения прикреплены к основанию на предприятии-изготовителе. Не снимайте нижние ограждения.

ПРИМЕЧАНИЕ: Если после затягивания зажимного винта верхнее ограждение не закреплено, поверните регулировочный винт, чтобы устранить зазор. Регулировочный винт настроен на предприятии-изготовителе. Он используется только в случае необходимости.

Когда верхние ограждения не используются, их можно хранить в держателе. Используйте зажим на верхнем ограждении, чтобы прикрепить его к держателю.

► Рис.39: 1. Держатель 2. Верхнее ограждение 3. Зажим

Вертикальные тиски

▲ ОСТОРОЖНО: При выполнении всех типов работ обрабатываемую деталь необходимо прочно закрепить по отношению к поворотному основанию и направляющей линейке с помощью тисков. Если деталь не прижата должным образом к ограждениям, материал может сместиться во время резания и повредить диск. В этом случае возможен разлет осколков и потеря контроля над инструментом, что может стать причиной тяжелых травм.

► Рис.40: 1. Ручка тисков 2. Стержень тисков 3. Зажимной винт 4. Головка тисков

Вертикальные тиски можно установить либо справа, либо слева от основания. Вставьте стержень тисков в отверстие основания.

Расположите кронштейн тисков, исходя из толщины и формы обрабатываемой детали, и закрепите кронштейн тисков, затянув винт. Если зажимной винт соприкасается с кареткой, расположите ее на другой стороне кронштейна тисков. Убедитесь в том, что никакая часть инструмента не соприкасается с тисками при полном опускании рукоятки. Если какая-либо часть касается тисков, отрегулируйте положение тисков.

Прижмите обрабатываемую деталь к направляющей линейке и поворотному основанию. Расположите обрабатываемую деталь в необходимом для распиливания положении и надежно закрепите ее, затянув ручку тисков.

ПРИМЕЧАНИЕ: Для облегчения быстрой установки детали поверните ручку тисков на 90° против часовой стрелки, чтобы ручка могла двигаться вниз и вверх. Чтобы зафиксировать деталь после установки, поверните ручку тисков по часовой стрелке.

Горизонтальные тиски

Дополнительные принадлежности

▲ ОСТОРОЖНО: Обязательно поверните гайку тисков по часовой стрелке до полной фиксации детали. Если деталь не прижата должным образом, материал может сместиться во время резания и повредить диск. В этом случае возможен разлет осколков и потеря контроля над инструментом, что может стать причиной тяжелых травм.

▲ ОСТОРОЖНО: При обработке тонких деталей (таких как плинтус) вплотную к ограждению обязательно используйте горизонтальные тиски.

⚠ ВНИМАНИЕ: При резке детали толщиной 20 мм и менее убедитесь, что для крепления детали используется распорный блок.

Горизонтальные тиски можно установить либо справа, либо слева от основания. При выполнении распилов с углом 22,5° и более установите горизонтальные тиски на сторону, противоположную направлению поворота поворотного основания.

► **Рис.41:** 1. Пластина тисков 2. Гайка тисков 3. Головка тисков

Для того чтобы расфиксировать тиски с целью быстрой их подачи вперед или назад, поверните гайку тисков по часовой стрелке. Чтобы взяться за деталь, нажмите на ручку тисков вперед, чтобы пластина тисков коснулась детали, и поверните гайку тисков по часовой стрелке. Затем поверните ручку тисков по часовой стрелке, чтобы зафиксировать деталь.

ПРИМЕЧАНИЕ: Максимальная ширина обрабатываемой детали, которую можно закрепить с помощью горизонтальных тисков, составляет 228 мм.

Держатели

⚠ ОСТОРОЖНО: Обязательно поддерживайте длинные детали, чтобы они находились на одном уровне с верхней поверхностью поворотного основания. Это обеспечит точный разрез и предотвратит опасность потери контроля над инструментом. Надлежащая опора детали поможет предотвратить защемление диска и возможную отдачу, которая может привести к тяжелым травмам.

Для горизонтальной фиксации длинных деталей на обеих сторонах инструмента предусмотрены длинные держатели. Ослабьте винты и удлините держатели на необходимое расстояние для удерживания детали. Затем затяните винты.

► **Рис.42:** 1. Держатель 2. Винт

ЭКСПЛУАТАЦИЯ

⚠ ОСТОРОЖНО: Перед включением выключателя убедитесь, что диск не касается детали. Включение инструмента, когда диск касается детали, может привести к возникновению отдачи и тяжелым травмам.

⚠ ОСТОРОЖНО: После завершения распиливания не поднимайте диск до тех пор, пока он не остановится полностью. Поднятие вращающегося диска может привести к тяжелым травмам и повреждению детали.

⚠ ОСТОРОЖНО: Не выполняйте регулировку: не поворачивайте рукоятку, круглую ручку и рычаги инструмента при вращающемся диске. Выполнение регулировки при вращающемся диске может привести к серьезным травмам.

ПРИМЕЧАНИЕ: Перед использованием убедитесь, что стопорный штифт разблокирован, и освободите рукоятку из нижнего положения.

ПРИМЕЧАНИЕ: Не оказывайте чрезмерное давление на рукоятку при распиливании. Избыточное усилие может привести к перегрузке двигателя и/или снижению эффективности резки. Нажимайте на рукоятку только с тем усилием, которое необходимо для плавной резки и без значительного снижения скорости диска.

ПРИМЕЧАНИЕ: Осторожно надавите на рукоятку для выполнения распиливания. Если нажать на рукоятку с усилием или приложить боковое усилие, диск будет вибрировать и оставит след (след пилы) на обрабатываемой детали, что может привести к снижению точности распила.

ПРИМЕЧАНИЕ: При выполнении скользящего распила осторожно давите на каретку в сторону направляющей линейки без остановки. Если остановить движение каретки во время резки, на обрабатываемой детали останется след, а точность резки будет снижена.

Резка с нажимом

⚠ ОСТОРОЖНО: Всегда блокируйте скольжение каретки при выполнении резки с нажимом. Резка при отсутствии блокировки может вызвать отдачу и привести к тяжелым травмам.

Детали высотой 92 мм и шириной 183 мм можно распилить следующим образом.

► **Рис.43:** 1. Стопорный штифт

1. Давите на каретку в сторону направляющей линейки, пока она не остановится, и блокируйте ее с помощью стопорного штифта.
2. Закрепите деталь в тисках соответствующего типа.
3. Включите инструмент - при этом режущий диск не должен соприкасаться с обрабатываемой деталью - и перед тем, как опустить диск, дождитесь пока он не наберет максимальные обороты.
4. Затем плавно опустите ручку в крайнее нижнее положение, чтобы распилить обрабатываемую деталь.
5. По завершении распиливания выключите инструмент и дождитесь полного останова режущего диска перед тем, как перевести его в крайнее верхнее положение.

Скользящий распил (с проталкиванием) (распил широких деталей)

▲ОСТОРОЖНО: При выполнении распиливания сначала полностью переместите каретку к себе и нажмите рукоятку вниз до упора, затем сдвиньте каретку к направляющей линейке. Не начинайте распиливание, пока каретка не сдвинута полностью в сторону оператора. В противном случае возможна неожиданная отдача и получение тяжелых травм.

▲ОСТОРОЖНО: Не пытайтесь выполнять распиливание, двигая каретку на себя. В этом случае возможна неожиданная отдача и получение тяжелых травм.

▲ОСТОРОЖНО: Запрещается выполнять распил, если рукоятка зафиксирована в нижнем положении.

► **Рис.44:** 1. Стопорный штифт

1. Ослабьте стопорный штифт, чтобы обеспечить свободное перемещение каретки.
2. Закрепите деталь в тисках соответствующего типа.
3. Подайте каретку полностью на себя.
4. Включите инструмент - при этом режущий диск не должен соприкасаться с обрабатываемой деталью - и дождитесь пока он не наберет максимальные обороты.
5. Нажмите на ручку вниз и **подайте каретку к направляющей линейке через обрабатываемую деталь.**
6. По завершении распиливания выключите инструмент и **дождитесь полного останова режущего диска** перед тем, как перевести его в крайнее верхнее положение.

Резка под углом

См. раздел "Регулировка угла резки" выше.

Резка со скосом

▲ОСТОРОЖНО: После настройки диска для резки со скосом убедитесь, что каретка и диск смогут свободно перемещаться по всей длине предполагаемого разреза, прежде чем приступить к работе с инструментом. Помехи при движении каретки или диска во время распиливания могут привести к возникновению отдачи и тяжелым травмам.

▲ОСТОРОЖНО: При снятии фаски руки оператора не должны находиться на траектории движения диска. Наклон диска может ввести в заблуждение относительно фактической траектории диска во время резания, и контакт с диском приведет к тяжелым травмам.

▲ОСТОРОЖНО: Диск нельзя поднимать до его полного останова. Во время снятия фаски отрезанные части могут попасть под диск. Если поднять вращающийся диск, отрезанная часть детали может быть выброшена с высокой скоростью, материал может разрушиться и причинить тяжелые травмы.

ПРИМЕЧАНИЕ: При нажатии на рукоятку прилагайте давление параллельно диску. Если прилагать усилие перпендикулярно поворотному основанию или изменить направление давления во время резки, это приведет к снижению точности.

► **Рис.45**

1. Снимите верхнее ограждение на той стороне, на которую производится наклон каретки.
2. Ослабьте стопорный штифт.
3. Отрегулируйте угол скоса в соответствии с процедурой, изложенной в разделе "Регулировка угла скоса". Затем затяните круглую ручку.
4. Надежно закрепите обрабатываемую деталь в тисках.
5. Подайте каретку полностью на себя.
6. Включите инструмент - при этом режущий диск не должен соприкасаться с обрабатываемой деталью - и дождитесь пока он не наберет максимальные обороты.
7. Затем осторожно опустите рукоятку в нижнее положение, прилагая давление параллельно диску, и **переместите каретку к направляющей линейке для распила обрабатываемой детали.**
8. По завершении распиливания выключите инструмент и **дождитесь полного останова режущего диска** перед тем, как перевести его в крайнее верхнее положение.

Сложная резка

Сложная резка представляет собой процесс, при котором резка со скосом применяется одновременно с резкой под углом. Сложную резку можно выполнять под углами, указанными в таблице.

Угол резки	Угол скоса
Влево и вправо $0^\circ - 45^\circ$	Влево и вправо $0^\circ - 45^\circ$

При выполнении сложной резки см. объяснения в разделах "Резка с нажимом", "Скользящий распил (с проталкиванием)", "Резка под углом" и "Резка со скосом"

Резка плинтусов

ВНИМАНИЕ: При резке плинтуса обязательно используйте горизонтальные тиски (дополнительная принадлежность).

ВНИМАНИЕ: При резке детали толщиной 20 мм и менее убедитесь, что для крепления детали используется распорный блок.

При резке плинтуса под углом 45° задействуйте стопорный рычаг, чтобы корпус диска не соприкасался с плинтусом. Это позволит обеспечить зазор между плинтусом и корпусом диска, когда каретка будет полностью сдвинута вперед.

Информацию по режущей способности при резке плинтусов см. в ТЕХНИЧЕСКИХ ХАРАКТЕРИСТИКАХ.

► **Рис.46:** 1. Рычаг ограничителя 2. Распорный блок 3. Горизонтальные тиски

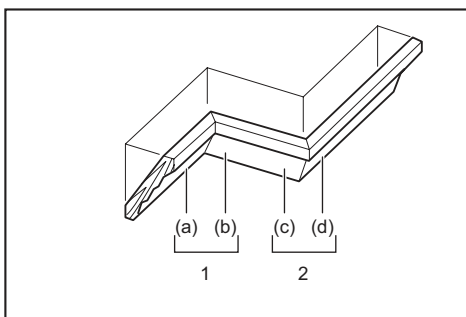
Обработка поясков и погонажа с закругленным углублением

Пояски и погонаж с закругленным углублением можно распиливать на пиле для сложной угловой резки. Для этого детали укладываются плашмя на поворотное основание.

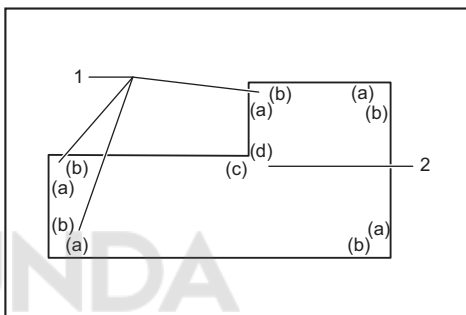
Существуют два основных типа поясков и один тип погонажа с закругленным углублением: пояски со стеновым углом $52/38^\circ$, пояски со стеновым углом 45° и погонаж со стеновым углом 45° .

► **Рис.47:** 1. Поясок со стеновым углом $52/38^\circ$
2. Поясок со стеновым углом 45°
3. Погонаж со стеновым углом 45°

Имеются стыковые детали для поясков и погонажа с закругленным углублением для следующих типов углов: "внутренние" углы 90° ((a) и (b) на рисунке) и "внешние" углы 90° ((c) и (d) на рисунке).



1. Внутренний угол 2. Наружный угол



1. Внутренний угол 2. Наружный угол

Измерение

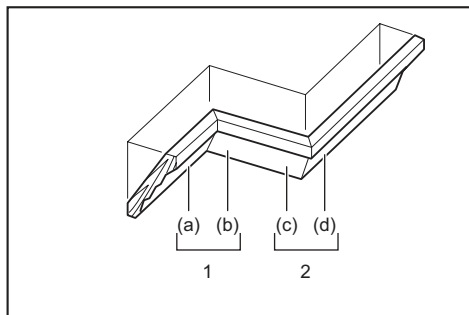
Измерьте ширину стены и отрегулируйте ширину обрабатываемой детали соответствующим образом. Обязательно убедитесь, что ширина края детали, контактирующего со стеной, совпадает с длиной стены.

► **Рис.48:** 1. Обрабатываемая деталь 2. Ширина стены 3. Ширина обрабатываемой детали 4. Край детали, контактирующий со стеной

Обязательно используйте несколько заготовок для пробных срезов, чтобы проверить угол установки пилы.

При обрезке поясков и погонажа с закругленным углублением устанавливайте угол фаски и угол отрезки как показано в таблице (A) и устанавливайте детали на верхнюю поверхность основания пилы как указано в таблице (B).

В случае снятия левой фаски



1. Внутренний угол 2. Наружный угол

Таблица (А)

–	Положение пояска на рисунке	Угол скоса		Угол резки	
		Тип 52/38°	Тип 45°	Тип 52/38°	Тип 45°
Для внутреннего угла	(a)	Левый 33,9°	Левый 30°	Правый 31,6°	Правый 35,3°
	(b)			Левый 31,6°	Левый 35,3°
Для наружного угла	(c)			Правый 31,6°	Правый 35,3°
	(d)				

Таблица (B)

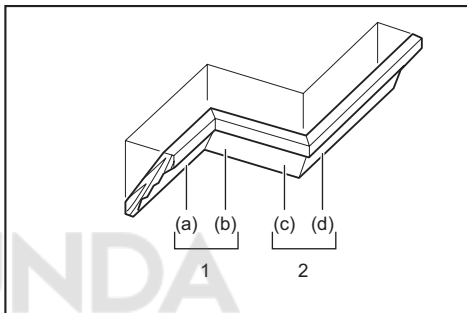
–	Положение пояска на рисунке	Край пояска у ограждения направляющей	Готовая деталь
Для внутреннего угла	(a)	Край, касающийся потолка, должен находиться рядом с ограждением направляющей.	Готовая деталь будет находиться с левой стороны от ножа.
	(b)	Край, касающийся стены, должен находиться рядом с ограждением направляющей.	
Для наружного угла	(c)	Край, касающийся потолка, должен находиться рядом с ограждением направляющей.	Готовая деталь будет находиться с правой стороны от ножа.
	(d)	Край, касающийся стены, должен находиться рядом с ограждением направляющей.	

Пример:

В случае отрезания пояска типа 52/38° для положения (a) на рисунке выше:

- Наклоните и зафиксируйте угол фаски 33,9° ЛЕВ.
- Отрегулируйте и зафиксируйте угол отрезки 31,6° ПРАВ.
- Положите поясок широкой стороной (обратной) на поворотное основание так, чтобы КРАЙ, КОНТАКТИРУЮЩИЙ С ПОТОЛКОМ, был прижат к направляющей линейке на пиле.
- После обрезки готовая деталь будет всегда находиться с ЛЕВОЙ стороны от диска пилы.

В случае резки со скосом вправо



1. Внутренний угол 2. Наружный угол

Таблица (А)

–	Положение пояска на рисунке	Угол скоса		Угол резки	
		Тип 52/38°	Тип 45°	Тип 52/38°	Тип 45°
Для внутреннего угла	(a)	Правый 33,9°	Правый 30°	Правый 31,6°	Правый 35,3°
	(b)			Левый 31,6°	Левый 35,3°
Для наружного угла	(c)			Правый 31,6°	Правый 35,3°
	(d)				

Таблица (B)

–	Положение пояска на рисунке	Край пояска у ограждения направляющей	Готовая деталь
Для внутреннего угла	(a)	Край, касающийся стены, должен находиться рядом с ограждением направляющей.	Готовая деталь будет находиться с правой стороны от ножа.
	(b)	Край, касающийся потолка, должен находиться рядом с ограждением направляющей.	
Для наружного угла	(c)	Край, касающийся стены, должен находиться рядом с ограждением направляющей.	Готовая деталь будет находиться с левой стороны от ножа.
	(d)	Край, касающийся стены, должен находиться рядом с ограждением направляющей.	

Пример:

В случае отрезания пояска типа 52/38° для положения (a) на рисунке выше:

- Наклоните и зафиксируйте угол фаски 33,9° ПРАВЫЙ.
- Отрегулируйте и зафиксируйте угол отрезки 31,6° ПРАВ.
- Положите поясок широкой стороной (обратной) на поворотное основание так, чтобы КРАЙ, КОНТАКТИРУЮЩИЙ СО СТЕНОЙ, был прижат к направляющей линейке на пиле.
- После обрезки готовая деталь будет всегда находиться с ПРАВОЙ стороны от диска пилы.

Ограничитель пояска

Дополнительные принадлежности

Ограничители пояска облегчают отрезание поясков без наклона диска пилы. Устанавливайте их на поворотное основание, как показано на рисунках.

Правый угол отрезки 45°

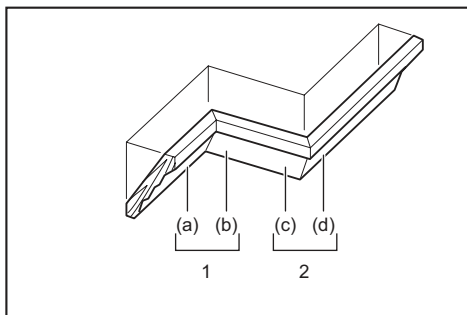
- **Рис.49:** 1. Ограничитель пояска Л 2. Ограничитель пояска П 3. Поворотное основание 4. Направляющая линейка

Левый угол отрезки 45°

- **Рис.50:** 1. Ограничитель пояска Л 2. Ограничитель пояска П 3. Поворотное основание 4. Направляющая линейка

Расположите поясок так, чтобы КРАЙ, КОНТАКТИРУЮЩИЙ СО СТЕНОЙ, упирался в ограждение направляющей, а КРАЙ, КОНТАКТИРУЮЩИЙ С ПОТОЛКОМ - в ограничители, как показано на рисунке. Отрегулируйте положение ограничителей пояска в соответствии с его размером. Затяните винты крепления ограничителей пояска. О настройке угла отрезки см. в таблице (C).

- **Рис.51:** 1. Направляющая линейка
2. Ограничитель пояска



1. Внутренний угол 2. Наружный угол

Таблица (C)

–	Положение пояска на рисунке	Угол резки	Готовая деталь
Для внутреннего угла	(a)	Правый 45°	Сохранять правую сторону ножа
	(b)	Левый 45°	Сохранять левую сторону ножа
Для наружного угла	(c)	Правый 45°	Сохранять правую сторону ножа
	(d)	Правый 45°	Сохранять левую сторону ножа

Резка алюминиевого профиля

- **Рис.52:** 1. Тиски 2. Распорный блок 3. Направляющая линейка 4. Алюминиевый профиль 5. Распорный блок

При креплении алюминиевого профиля используйте распорные блоки или детали металлолома, как показано на рисунке, чтобы предотвратить деформацию алюминия. При резке алюминиевого профиля используйте смазочное вещество для резки, чтобы предотвратить накопление алюминиевого материала на диске.

⚠ОСТОРОЖНО: Никогда не пытайтесь резать толстый или круглый алюминиевый профиль. Толстые или круглые алюминиевые детали трудно закрепить, во время резания они могут сорваться, вызвать потерю контроля над инструментом и причинить тяжелые травмы.

Деревянная облицовка

⚠ ОСТОРОЖНО: Используйте винты для крепления деревянной облицовки к направляющей линейке. Винты необходимо устанавливать так, чтобы их головки располагались ниже поверхности деревянной накладки и не мешали установке материала. Неправильное расположение материала может вызвать неожиданное смещение во время резания, что может привести к потере контроля над инструментом и причинить тяжелые травмы.

⚠ ВНИМАНИЕ: Для накладки используйте прямую деревянную деталь равномерной толщины.

⚠ ВНИМАНИЕ: Чтобы полностью разрезать детали высотой от 107 мм до 120 мм, необходимо устанавливать деревянную накладку на направляющую линейку. Деревянная накладка позволяет расположить деталь на удалении от ограждения, что обеспечивает более глубокий разрез.

ПРИМЕЧАНИЕ: Когда деревянная облицовка прикреплена, не поворачивайте поворотное основание при опущенной рукоятке. Это приведет к повреждению диска и/или деревянной облицовки.

Использование деревянной облицовки позволяет добиться распиливания обрабатываемых деталей без расколов. Прикрепите деревянную облицовку к направляющей линейке с помощью отверстий в направляющей линейке и 6-мм винтов. Размеры предлагаемой деревянной облицовки показаны на рисунке.

► **Рис.53:** 1. Отверстие 2. Более 15 мм 3. Более 270 мм 4. 90 мм 5. 145 мм 6. 19 мм 7. 115 мм - 120 мм

ПРИМЕР При резке деталей высотой 115 мм и 120 мм используйте деревянную облицовку следующей толщины.

Угол резания	Толщина деревянной облицовки	
	115 мм	120 мм
0°	20 мм	38 мм
Влево и вправо 45°	15 мм	25 мм
Влево и вправо 60°	15 мм	25 мм

Резка пазов

⚠ ОСТОРОЖНО: Не пытайтесь выполнять такую резку при помощи более широкого диска или диска для выборки пазов. Попытка сделать надрез с помощью широкого диска или диска для выборки пазов может привести к неожиданным результатам и возникновению отдачи, которые могут стать причиной тяжелых травм.

⚠ ОСТОРОЖНО: Обязательно возвращайте ограничительный рычаг в исходное положение, если выполняете какой-либо разрез кроме выборки паза. Попытка резки с ограничительным рычагом в неправильном положении может привести к неожиданным результатам и возникновению отдачи, которые могут стать причиной тяжелых травм.

Для вырезания соединительного прямоугольного паза выполните следующие действия:

1. Отрегулируйте нижнее предельное положение диска с помощью регулировочного винта и стопорного рычага, чтобы ограничить глубину резки диска. См. раздел "Стопорный рычаг" выше.
 2. После регулировки нижнего предельного положения диска вырежьте параллельные пазы по всей ширине обрабатываемой детали с помощью скользящего (с нажимом) разреза.
- **Рис.54:** 1. Вырежьте пазы лезвием
3. Удалите материал из обрабатываемой детали между пазами с помощью стамески.

Специальная техника резания с максимальной шириной

Чтобы обеспечить максимальную ширину резания для данного инструмента, необходимо выполнить следующие действия:
Информацию о максимальной ширине резания для данного инструмента см. в разделе ТЕХНИЧЕСКИЕ ХАРАКТЕРИСТИКИ, подпункт "Размеры распиливаемой детали для особого резания".

1. Установите на инструменте угол резания от 0° до 45° и заблокируйте поворотное основание. (См. раздел "Регулировка угла резания".)
 2. На время снимите правое и левое верхние ограждения и отложите их в сторону.
 3. Разрежьте платформу в соответствии с размерами, указанными на рисунке, используя плоский исходный материал толщиной 38 мм, например дерево, фанеру или древесно-стружечную плиту.
- **Рис.55:** 1. 0° угол резания: Более 450 мм 2. 45° угол резания: Более 325 мм 3. 38 мм 4. Более 760 мм

⚠ ОСТОРОЖНО: Обязательно используйте плоский материал в качестве платформы. Неровный материал может сдвинуться во время резания, что может привести к отдаче и тяжелым травмам.

ПРИМЕЧАНИЕ: Максимальная режущая способность по высоте будет снижена на тот же самый размер, что и толщина платформы.

4. Поместите платформу на инструмент так, чтобы он одинаково расширился с каждой стороны основания инструмента.

Закрепите платформу на инструменте с помощью четырех 6-мм винтов по дереву в четырех отверстиях на нижних ограждениях.

- **Рис.56:** 1. Винты (два с каждой стороны)
2. Нижнее ограждение 3. Основание
4. Платформа

⚠ОСТОРОЖНО: Убедитесь, что платформа лежит ровно на основании инструмента и надежно прикреплена к нижним ограждениям через четыре отверстия под шурупы. Неадекватное закрепление платформы может привести к ее смещению и возникновению отдачи, что может стать причиной тяжелой травмы.

⚠ОСТОРОЖНО: Обеспечьте надежную установку инструмента на устойчивой ровной поверхности. Если не установить и не закрепить инструмент должным образом, это может привести к потере устойчивости инструмента, потере контроля над ним и/или падению инструмента, что может стать причиной тяжелой травмы.

5. Установите верхние ограждения на инструмент.

⚠ОСТОРОЖНО: Не используйте инструмент без верхних ограждений. Верхние ограждения обеспечивают надлежащую опору, необходимую при резании детали.

Если не обеспечена должная опора детали, это может привести к возможной потере управления, отдаче и тяжелым травмам.

6. Расположите деталь, предназначенную для резания, на платформе, закрепленной на инструменте.

7. Перед резкой плотно закрепите деталь с помощью тисков на верхних ограждениях.

- **Рис.57:** 1. Верхнее ограждение 2. Вертикальные тиски 3. Обрабатываемая деталь
4. Платформа

8. Медленно разрежьте деталь согласно указаниям в разделе "Толкающее резание (резание широких деталей)."

⚠ОСТОРОЖНО: Надежно зажмите деталь в тисках и медленно разрежьте ее. Несоблюдение этих требований может привести к смещению детали, возникновению отдачи и причинению тяжелых травм.

⚠ОСТОРОЖНО: Будьте внимательны: после нескольких разрезов крепление платформы может ослабнуть и резание будет выполняться при различных углах. Если платформа потеряла прочность из-за многочисленных надрезов, ее необходимо заменить. Если ослабленную платформу не заменить, это может привести к смещению детали во время резания, возникновению отдачи и тяжелым травмам.

Переноска инструмента

Перед перемещением отключите инструмент и зафиксируйте все движущиеся части торцовочной пилы. Всегда проверяйте следующие параметры:

- Инструмент отключен от сети.
- Угол скоса каретки составляет 0°, каретка зафиксирована.
- Каретка зафиксирована в нижнем положении.
- Каретка полностью опущена до направляющей линейки и зафиксирована.
- Поворотное основание зафиксировано под прямым углом резки.
- Держатели сложены и зафиксированы.

Переносите инструмент, держась за обе стороны основания инструмента, как показано на рисунке.

- **Рис.58**

⚠ОСТОРОЖНО: Стопорный штифт для подъема каретки предназначен исключительно для переноски и хранения, а не для распиливания. Использование стопорного штифта для распиливания может вызвать неожиданное перемещение пильного диска, что приведет к отдаче и тяжелым травмам.

⚠ВНИМАНИЕ: Перед переноской инструмента обязательно закрепите все подвижные части. Если во время переноски какие-либо компоненты инструмента движутся или скользят, можно потерять контроль над инструментом и получить тяжелую травму.

ОБСЛУЖИВАНИЕ

⚠ОСТОРОЖНО: Перед проверкой или проведением техобслуживания убедитесь, что инструмент выключен, а штекер отсоединен от розетки. Несоблюдение этого требования может стать причиной тяжелой травмы из-за случайного включения инструмента.

⚠ОСТОРОЖНО: Всегда следите за заточкой и чистотой диска для обеспечения максимально эффективной и безопасной работы. Использование тупого или загрязненного диска может привести к возникновению отдачи и тяжелым травмам.

ПРИМЕЧАНИЕ: Запрещается использовать бензин, растворители, спирт и другие подобные жидкости. Это может привести к обесцвечиванию, деформации и трещинам.

Регулировка угла резки

Данный инструмент тщательно отрегулирован и выверен на предприятии-изготовителе, но грубая эксплуатация может нарушить регулировку. Если регулировка вашего инструмента нарушена, выполните следующее:

Угол резки

Полностью опустите рукоятку и зафиксируйте ее в опущенном положении с помощью стопорного штифта. Сдвиньте каретку к направляющей линейке. Ослабьте рукоятку и винты, фиксирующие указатель и шкалу угла резки.

► **Рис.59:** 1. Винт указателя 2. Винты шкалы угла резки 3. Шкала угла резки

Установите поворотное основание в положение 0° с помощью функции неподвижного упора. Установите прямой угол диска по отношению к стороне направляющей линейки с помощью треугольной линейки или угольника. Сохраняя угол, затяните винты шкалы угла резки. После этого выровняйте указатели (правый и левый) в соответствии с положением 0° на шкале угла резки. Затем затяните винт указателя.

► **Рис.60:** 1. Треугольная линейка

Угол скоса

Угол скоса в 0°

Переместите каретку по направлению к направляющей линейке и заблокируйте ее скольжение с помощью стопорного штифта. Полностью опустите рукоятку и зафиксируйте ее в опущенном положении с помощью стопорного штифта, затем ослабьте круглую ручку. Поверните регулировочный болт 0° на два-три оборота против часовой стрелки, чтобы наклонить диск направо.

► **Рис.61:** 1. Регулировочный болт 0° 2. Винт

Тщательно установите прямой угол диска по отношению к верхней поверхности поворотного основания с помощью треугольной линейки, угольника и т.д., повернув болт регулировки 0° по часовой стрелке. Затем затяните круглую ручку, чтобы зафиксировать установленный угол 0°.

► **Рис.62:** 1. Треугольная линейка 2. Пильный диск 3. Верхняя поверхность поворотного основания

Еще раз убедитесь, что сторона диска выровнена по отношению к поверхности поворотного основания. Ослабьте винт на указателе. Совместите указатель с положением 0° на шкале скоса и затяните винт.

Угол скоса в 45°

ПРИМЕЧАНИЕ: Перед регулировкой угла скоса 45° завершите регулировку угла скоса 0°.

Ослабьте круглую ручку и полностью наклоните каретку на сторону, которую необходимо проверить. Убедитесь, что указатель определяет значение 45° на шкале угла скоса.

► **Рис.63**

Если указатель не определяет значение 45°, переведите его в положение 45°, повернув регулировочный болт на другой стороне шкалы угла скоса.

► **Рис.64:** 1. Регулировочный болт влево на 45° 2. Регулировочный болт вправо на 45°

Регулировка положения лазерной линии

Только LS1219L

▲ОСТОРОЖНО: При регулировке лазерной линии инструмент должен быть включен в розетку. Ни в коем случае не включайте инструмент во время регулировки. Случайное включение инструмента может привести к тяжелым травмам.

▲ВНИМАНИЕ: Запрещается смотреть непосредственно в источник лазерной линии. Воздействие лазерного излучения может вызвать серьезное повреждение глаз.

ПРИМЕЧАНИЕ: Регулярно проверяйте точность положения лазерной линии.

ПРИМЕЧАНИЕ: Не ударяйте по инструменту. Это может изменить направление лазерной линии, повредить лазер и сократить срок его службы.

ПРИМЕЧАНИЕ: В случае любых неисправностей лазерного блока отремонтуйте инструмент в официальном сервисном центре Makita.

Диапазон перемещения лазерной линии определяется винтами регулировки диапазона на обеих сторонах. Для изменения положения лазерной линии выполните следующие процедуры.

1. Выключите инструмент из сети.
2. Проведите линию резки на обрабатываемой детали и поместите ее на поворотное основание. На данном этапе не закрепляйте обрабатываемую деталь в тисках или подобном крепежном устройстве.
3. Опустите рукоятку и совместите линию резки с пильным диском.
4. Верните рукоятку в исходное положение и зафиксируйте деталь вертикальными тисками, чтобы она не отклонялась от установленного положения.
5. Включите штекер инструмента в сеть электропитания и включите переключатель лазера.
6. Ослабьте регулировочный винт. Чтобы переместить лазерную линию от диска, поверните винты регулировки диапазона против часовой стрелки. Чтобы переместить лазерную линию к диску, поверните винт регулировки диапазона по часовой стрелке.

Регулировка положения лазерной линии на левой стороне диска

► **Рис.65:** 1. Регулировочный винт 2. Винт регулировки диапазона 3. Шестигранный ключ 4. Лазерная линия 5. Пильный диск

Регулировка положения лазерной линии на правой стороне диска

► **Рис.66:** 1. Регулировочный винт 2. Винт регулировки диапазона 3. Шестигранный ключ 4. Лазерная линия 5. Пильный диск

7. Переведите регулировочный винт в положение, при котором лазерная линия перемещается к линии резки, и зафиксируйте винт.

ПРИМЕЧАНИЕ: Диапазон перемещения линии лазера настраивается на заводе в пределах 1 мм от боковой поверхности диска.

Очистка линзы лазера

Только LS1219L

Если линза лазерной лампы загрязнится, трудно будет увидеть лазерную линию. Периодически очищайте линзу лазерной лампы.

► **Рис.67:** 1. Винт 2. Линза

Выключите инструмент из сети. Ослабьте винт и извлеките линзу. Осторожно очистите линзу влажной мягкой тканью.

ПРИМЕЧАНИЕ: Не снимайте винт, который фиксирует линзу. Если линза не извлекается, еще немного ослабьте винт.

ПРИМЕЧАНИЕ: Не пользуйтесь растворителями или какими-либо очистителями на основе керосина для очистки линзы.

Замена угольных щеток

► **Рис.68:** 1. Ограничительная метка

Регулярно снимайте и осматривайте угольные щетки. Заменяйте их, если они изношены до ограничительной отметки. Угольные щетки всегда должны быть чистыми и свободно перемещаться в держателях. Заменяйте обе угольные щетки одновременно. Используйте только идентичные угольные щетки. Используйте шуруповерт для снятия колпачков держателей щеток. Извлеките изношенные угольные щетки, вставьте новые и закрутите колпачки держателей щеток.

► **Рис.69:** 1. Колпачок держателя щетки

После замены щеток подключите инструмент к сети; чтобы щетки притерлись, включите инструмент и дайте ему поработать без нагрузки в течение 10 минут. После этого проверьте инструмент при работе, а также работу электрического тормоза при отпускании триггерного переключателя. Если электрический тормоз работает неправильно, передайте инструмент в сервисный центр Makita для ремонта.

После использования

После использования инструмента сотрите щепу и пыль, прилипшие к инструменту, с помощью ткани или аналогичных средств. Содержите ограждение диска в чистом виде в соответствии с инструкциями в разделе "Ограждение диска". Смазывайте скользящие части машинным маслом для предотвращения коррозии.

Для обеспечения БЕЗОПАСНОСТИ и НАДЕЖНОСТИ оборудования ремонт, любое другое техобслуживание или регулировку необходимо производить в уполномоченных сервис-центрах Makita или сервис-центрах предприятия с использованием только сменных частей производства Makita.

ДОПОЛНИТЕЛЬНЫЕ ПРИНАДЛЕЖНОСТИ

▲ОСТОРОЖНО: Данные принадлежности или приспособления рекомендуются для использования с инструментом Makita, указанным в настоящем руководстве. Использование любых других принадлежностей или приспособлений может привести к тяжелым травмам.

▲ОСТОРОЖНО: Используйте принадлежности или приспособления Makita только по назначению. Неправильное использование принадлежности или приспособления может привести к тяжелым травмам.

Если вам необходимо содействие в получении дополнительной информации по этим принадлежностям, свяжитесь с вашим сервис-центром Makita.

- Стальные и твердосплавные пыльные диски
- Вертикальные тиски
- Горизонтальные тиски
- Комплект ограничителей пояса
- Пылесборный мешок
- Треугольная линейка
- Шестигранный ключ
- Шестигранный ключ (для LS1219L)

ПРИМЕЧАНИЕ: Некоторые элементы списка могут входить в комплект инструмента в качестве стандартных приспособлений. Они могут отличаться в зависимости от страны.



Makita Europe N.V. Jan-Baptist Vinkstraat 2,
3070 Kortenberg, Belgium

Makita Corporation 3-11-8, Sumiyoshi-cho,
Anjo, Aichi 446-8502 Japan

www.makita.com

885618-981 EN, SV, NO, FI, LV, LT, ET, RU 20170811
