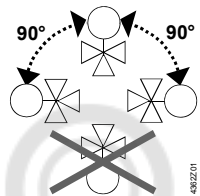


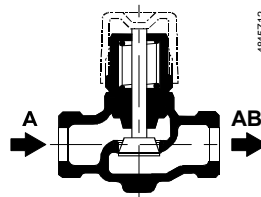
de Montageanleitung
en Mounting instructions
fr Instructions de montage
sv Monteringsinstruktion
nl Montage-handleiding
it Istruzioni di montaggio
fi Asennusohje
es Instrucciones de montaje
da Monteringsvejledning
pl Instrukcja montażu
cz Montážní návod
hu Szerelési útmutató
el Οδηγίες εγκατάστασης
ru Инструкция по установке
zh 安裝指導

Ventile PN 16
Valves PN 16
Vannes PN 16
Ventiler PN 16
Afsluiters PN 16
Valvole PN 16
Venttiilit PN 16
Válvulas PN 16
Ventiler PN 16
Zawory PN 16
Ventily PN 16
Szelepek PN 16
Βάνες PN 16
Клапан PN16
阀门 PN 16

V..P45..
V..P45..S
VVP45..N



VVP45.10-0.25...VVP45.15-2.5
VVP45..S
VVP45.15-2.5N / VVP45.20-4N



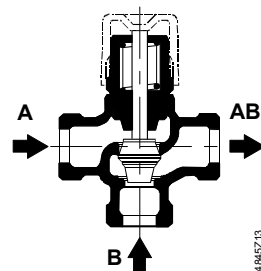
4845Z12



A → AB 0...100%

VVP45.25-10...VVP45.40-25
VVP45.25-6.3N

VXP45.10-0.25...VXP45.25-6.3



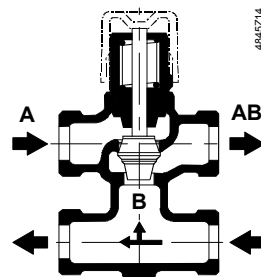
4845Z13



A → AB 0...100%
 B → AB 70...0%

VXP45.25-10...VXP45.40-25

VMP45.10-0.25...VMP45.20-4
VMP45..S

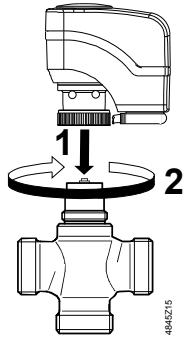


4845Z14



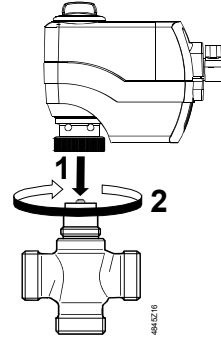
A → AB 0...100%
 B → AB 70...0%

V..P45.. / V..P45..S + SSB.. / VVP45..N + SSY..

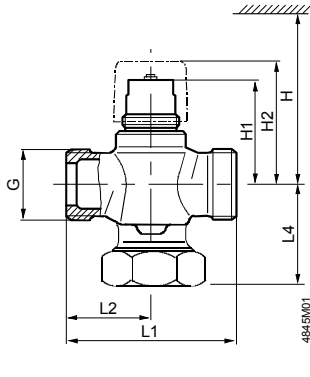


$$k_{vs} \leq 6.3 \text{ m}^3/\text{h}$$

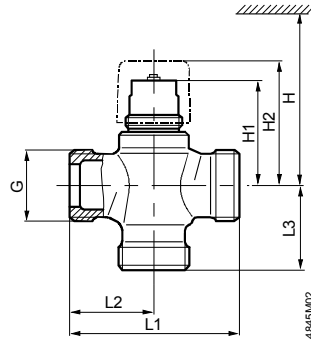
V..P45.. + SSC..



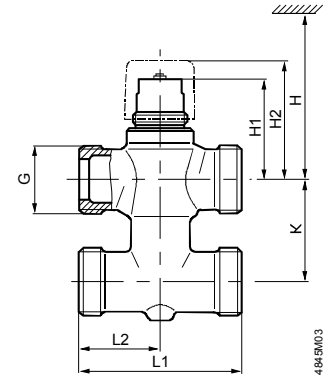
VVP45..
VVP45..S
VVP45..N



VXP45..



VMP45..
VMP45..S



	DN	G ["]	H [mm]	H1 [mm]	H2 [mm]	L1 [mm]	L2 [mm]	L3 [mm]	L4 [mm]	K [mm]	VVP.. [kg]	VXP.. [kg]	VMP.. [kg]
V..P45.10-0.25...1.6, ..S	10	G ½B	> 200	44.9	≈ 54	60	30	30	20	40	0.26	0.28	0.36
V..P45.15-2.5	15	G ¾B		44.9	≈ 54	65	32.5	32.5	20	40	0.30	0.34	0.46
V..P45.15-2.5S	15	W 1 ⅞-14		44.9	≈ 54	65	32.5	-	20	40	0.30	-	0.46
V..P45.20-4	20	G 1B		48.9	≈ 58	80	40	40	24	50	0.42	0.48	0.64
VVP45.25-6.3 / VXP45.25-6.3	25	G 1¼B	> 280	51	≈ 60	80	40	40	49		0.76	0.64	
VVP45.25-10 / VXP45.25-10	25	G 1½B		62.5	≈ 71	105	52.5	52.5	62.5		1.46	1.29	
VVP45.32-16 / VXP45.32-16	32	G 2B		69	≈ 78	105	52.5	52.5	63.5		1.95	1.70	
VVP45.40-25 / VXP45.40-25	40	G 2¼B		72	≈ 81	130	65	65	76		2.75	2.40	
VVP45.15-2.5N	15	G ¾B	> 280	62	≈ 71	65	32.5	-	20		0.30		
VVP45.20-4N	20	G 1B		66	≈ 75	80	40	-	24		0.42		
VVP45.25-6.3N	25	G 1¼B		68	≈ 77	80	40	-	49		0.76		

ALG..., SERTO SO 21..			DN	G [Inch]	R [Inch]	Rp [Inch]	L [mm]	T [mm]	SERTO SO 21.. www.serto.com	D [mm]
ALG..	ALG132	VVP45.10-0.25...1.6	10	G ½	R ⅜		≈ 24	≈ 9	SO 00021-12-1/2"	12
	ALG133	VXP45.10-0.25...1.6							SO 00021-14-1/2"	14
2 x ALG132	VMP45.10-0.25...1.6	SO 00021-15-1/2"							15	
ALG142	ALG142	VVP45.15-2.5, ..N	15	G ¾	R ½		≈ 29.5	≈ 12	SO 00021-17-3/4"	17
	2 x ALG142	VMP45.15-2.5							SO 00021-18-3/4"	18
ALG152	ALG152B	VVP45.20-4, ..N	20	G 1		Rp ½	≈ 23	≈ 13		
	ALG153	ALG153B								
2 x ALG152	2 x ALG152B	VMP45.20-4								
ALG202	ALG202B	VVP45.25-6.3, ..N	25	G 1¼		Rp ¾	≈ 25	≈ 15		
	ALG203	ALG203B								
ALG252	ALG252B	VVP45.25-10								
ALG253	ALG253B	VXP45.25-10				Rp 1	≈ 27	≈ 17		
ALG322	ALG322B	VVP45.32-16	32	G 2		Rp 1¼	≈ 32	≈ 19		
	ALG323	ALG323B								
ALG402	ALG402B	VVP45.40-25	40	G 2¼		Rp 1½	≈ 32	≈ 19		
ALG403	ALG403B	VXP45.40-25								
Conex 63 + Conex 65			DN	G [Inch]						D [mm]
E--10CO063-- + E--10CO065--			V..P45.10-..S	10	G ½					15
G--10CO063-- + G--10CO065--			V..P45.15-2.5S	15	W 1 ⅞-14					22