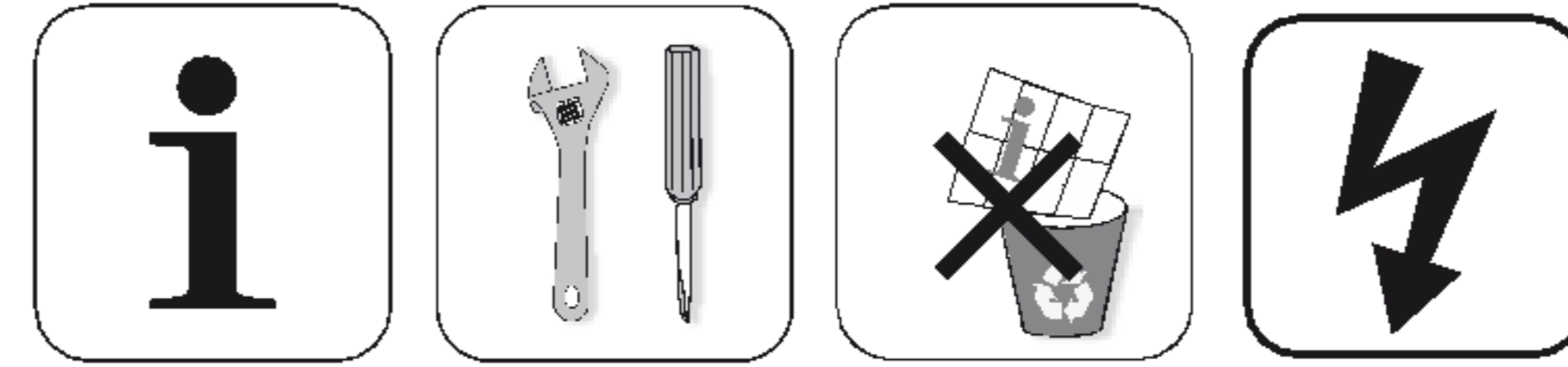
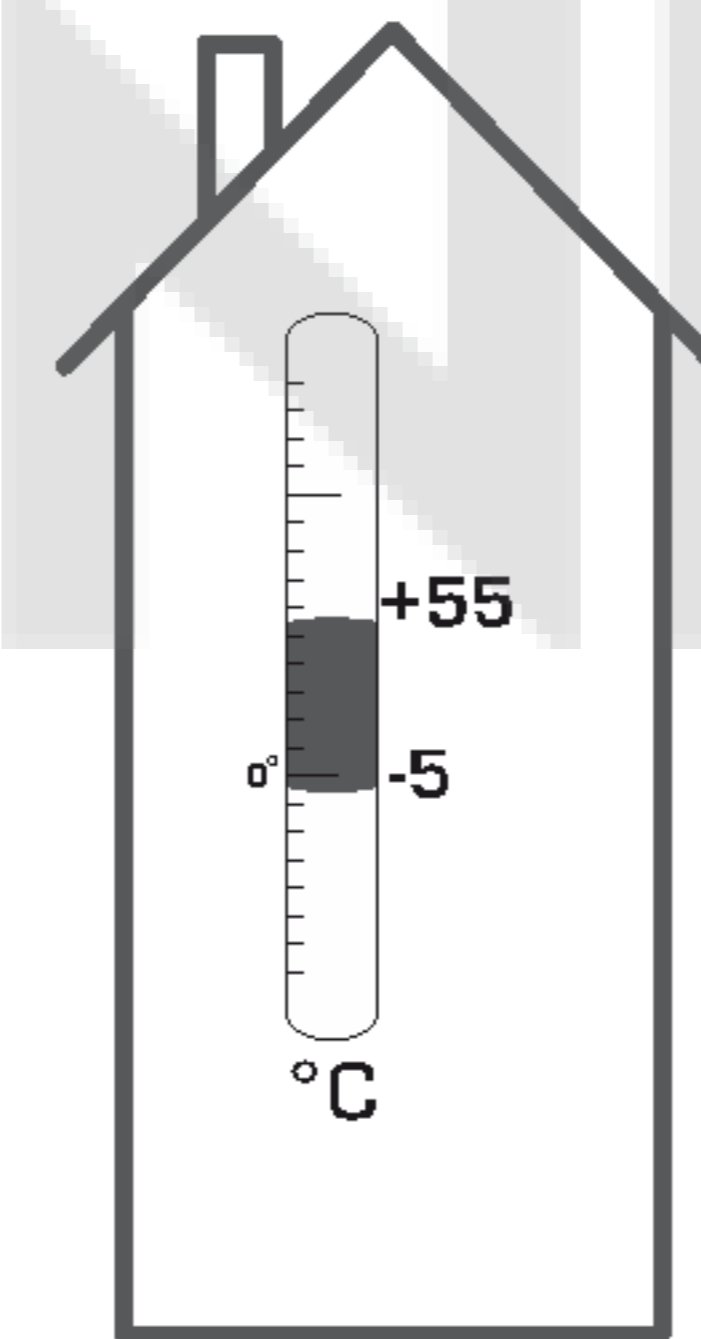




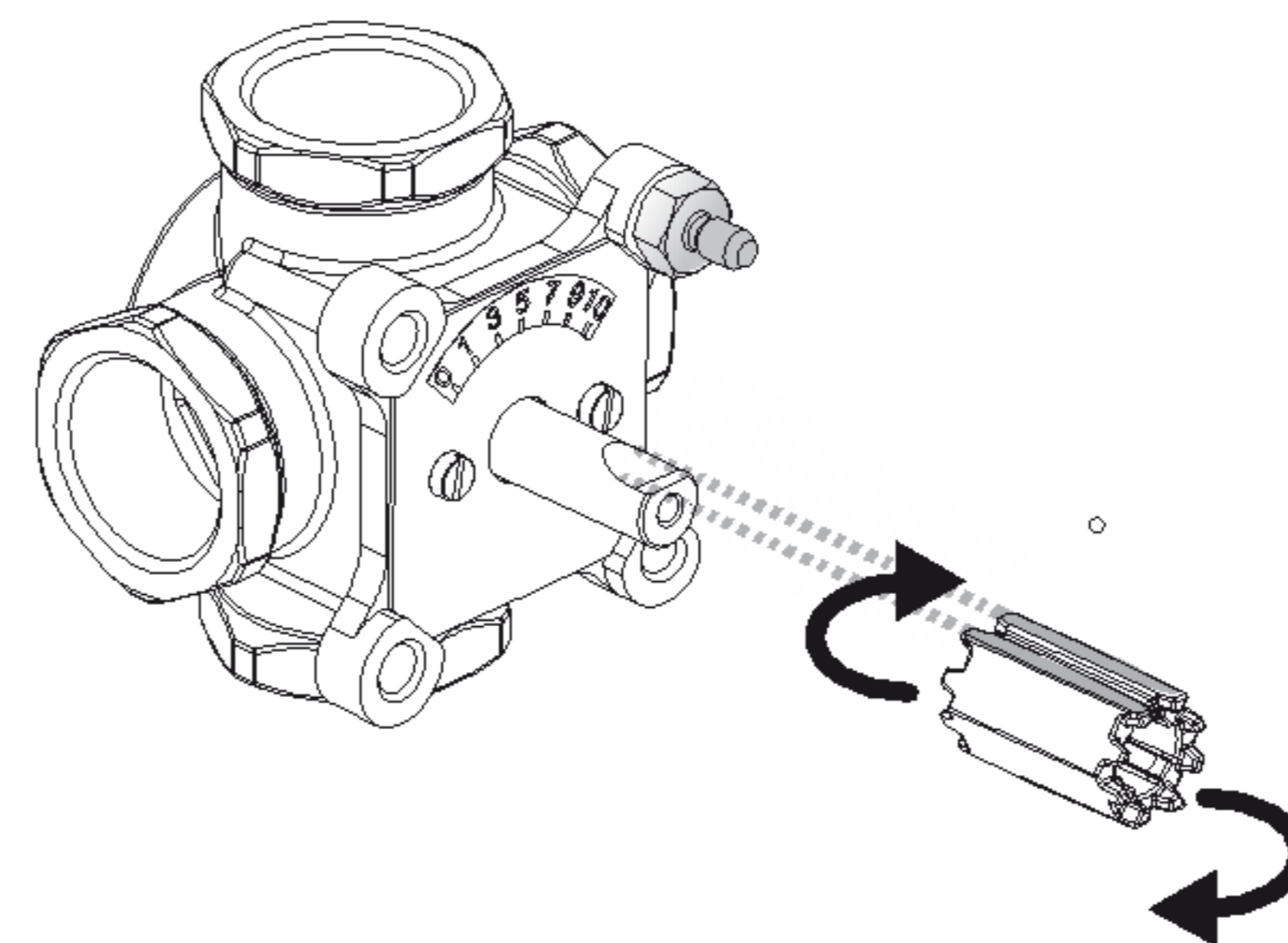
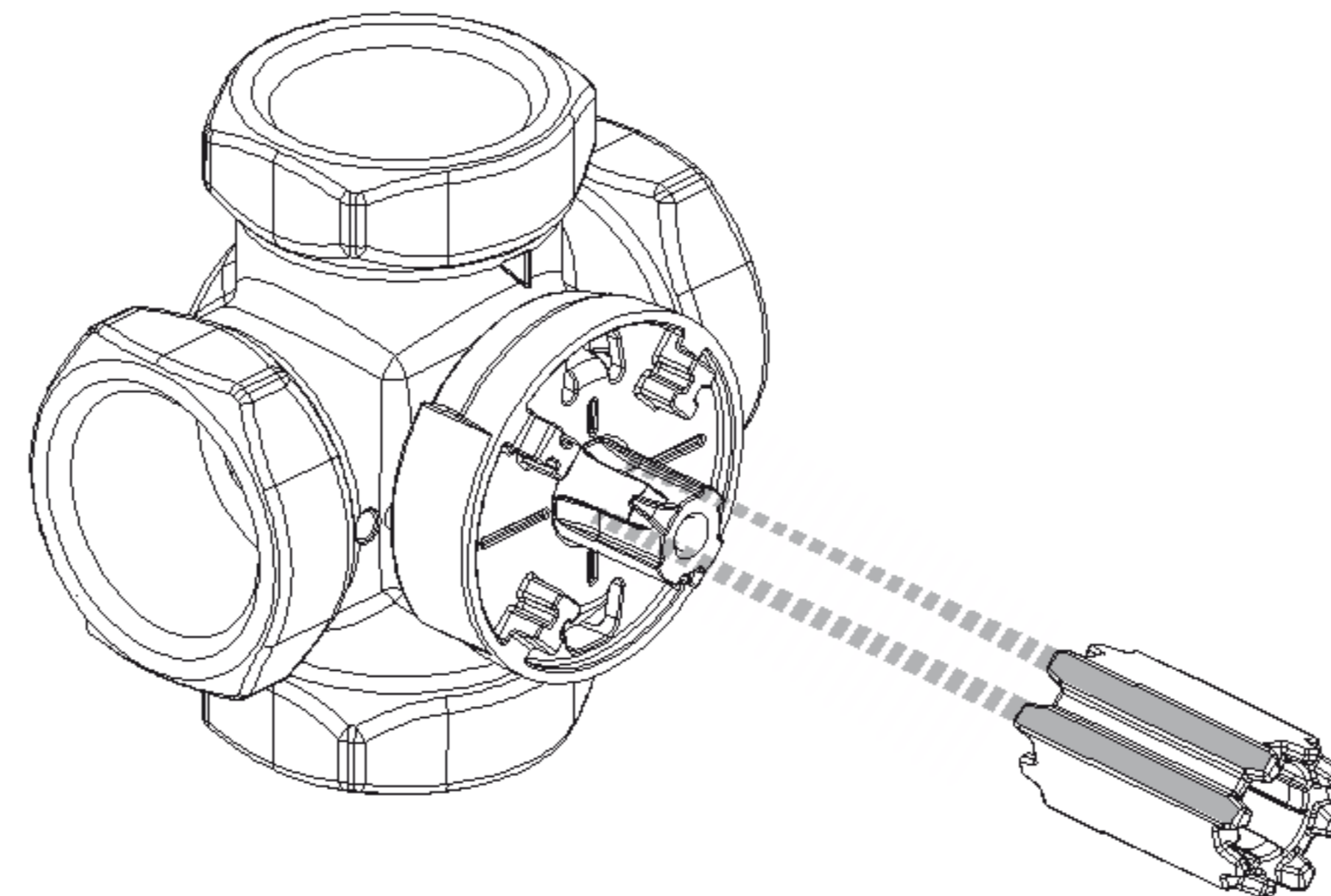
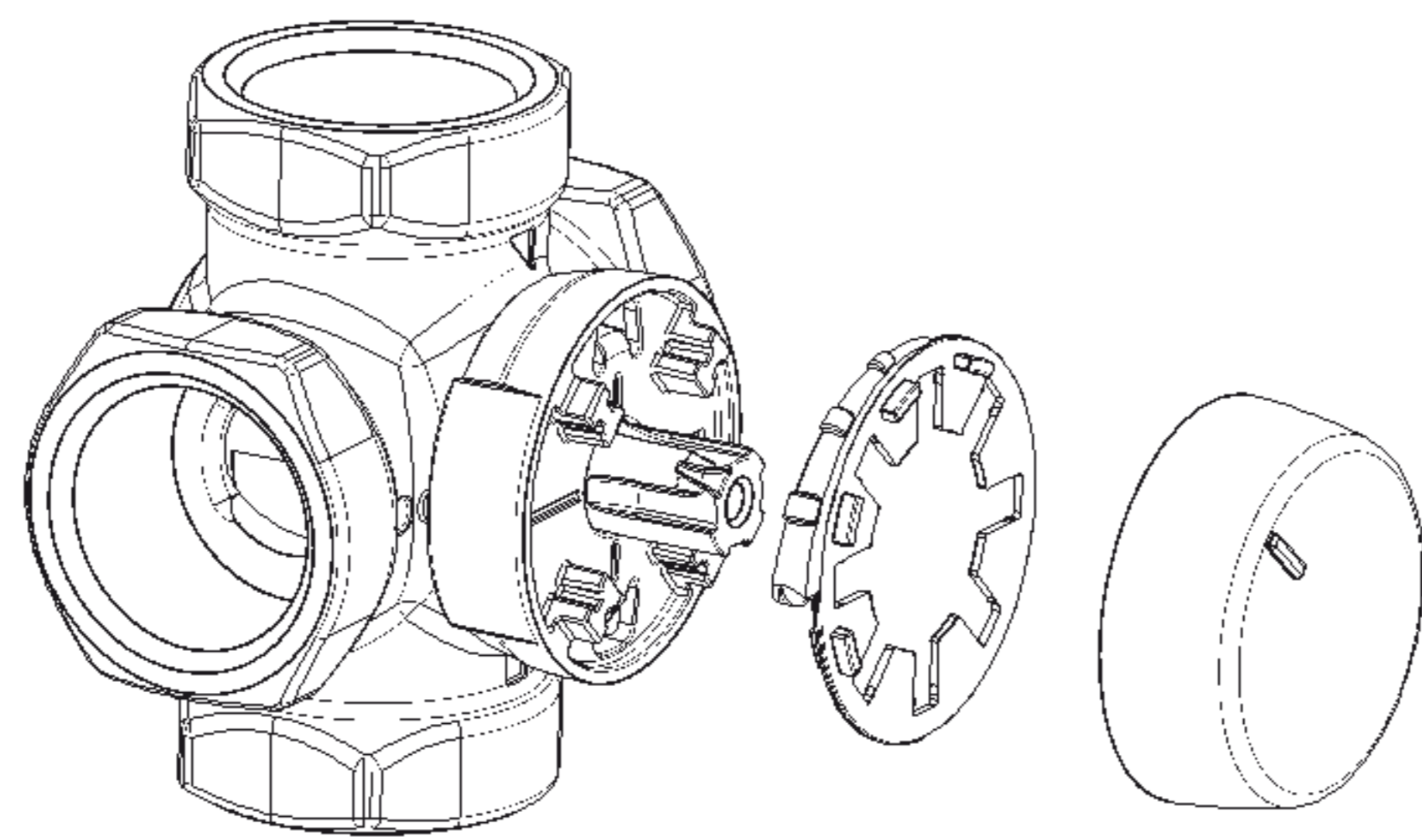
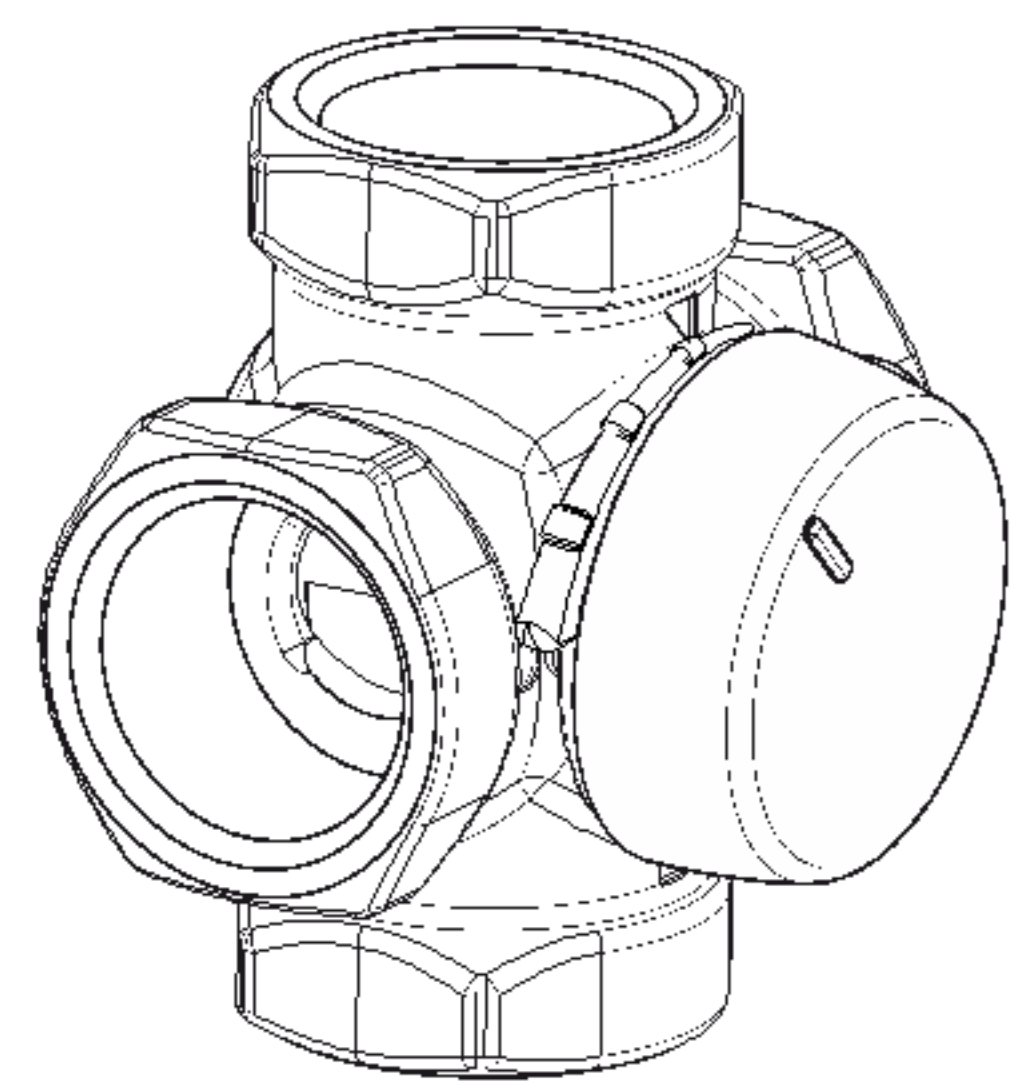
www.esbe.se



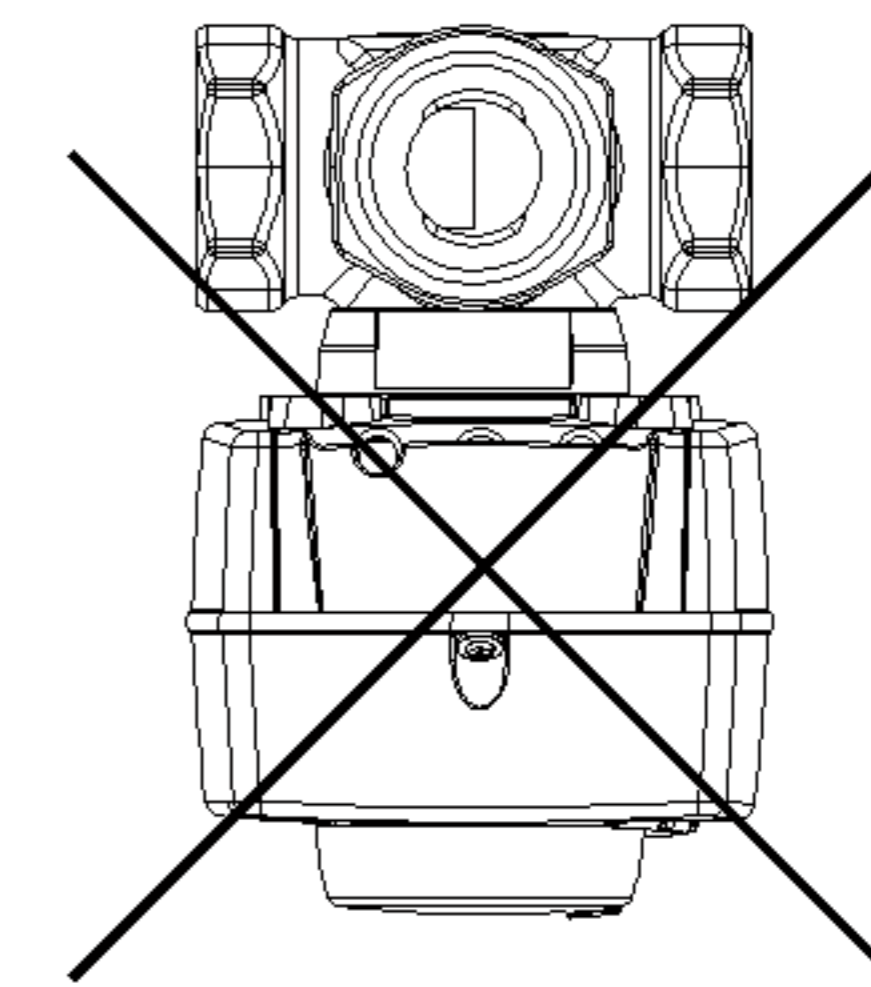
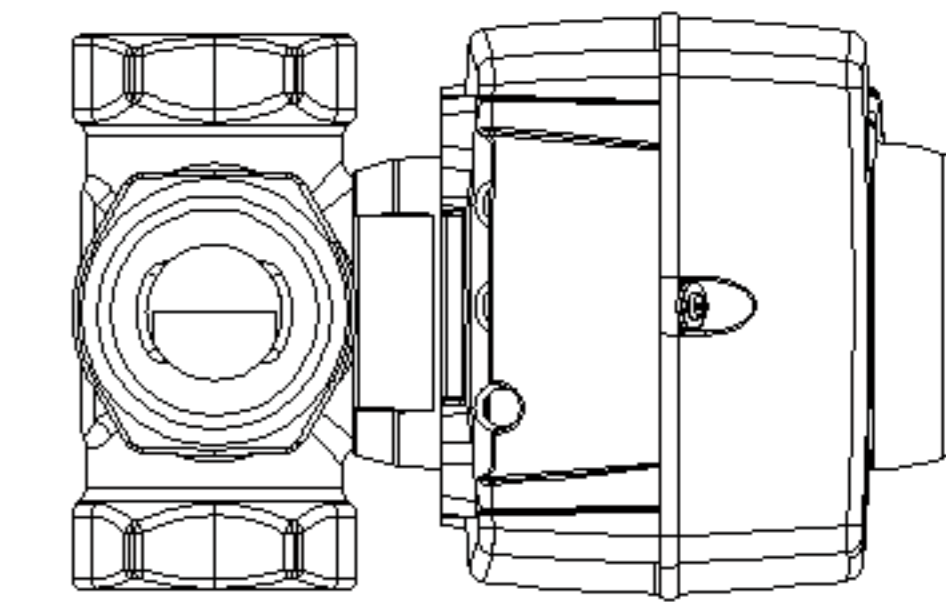
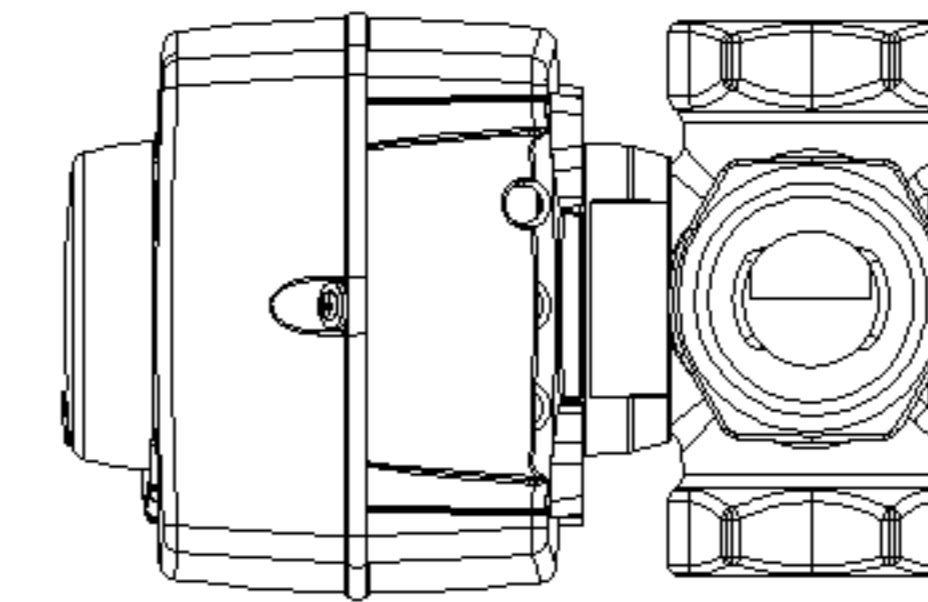
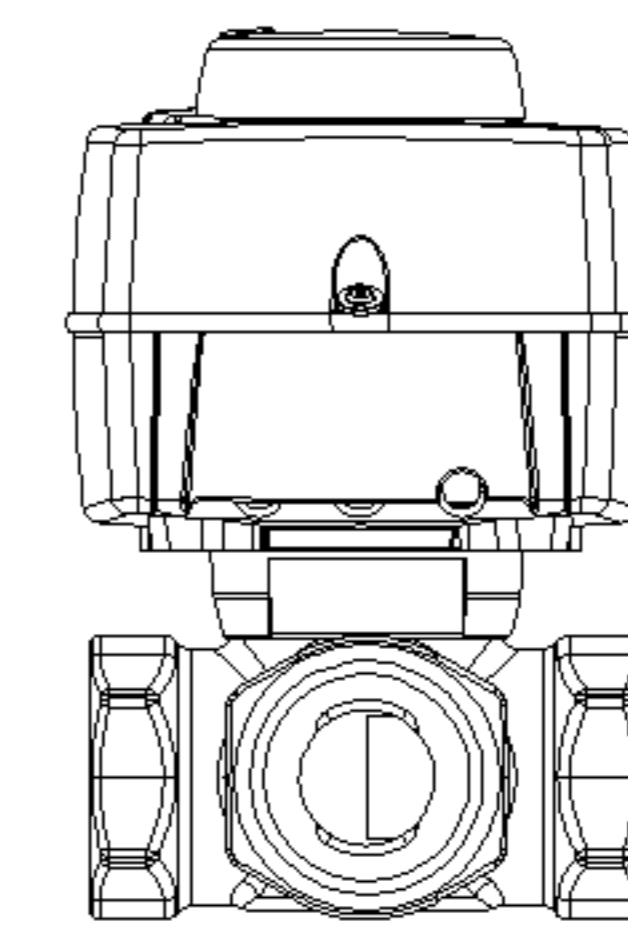
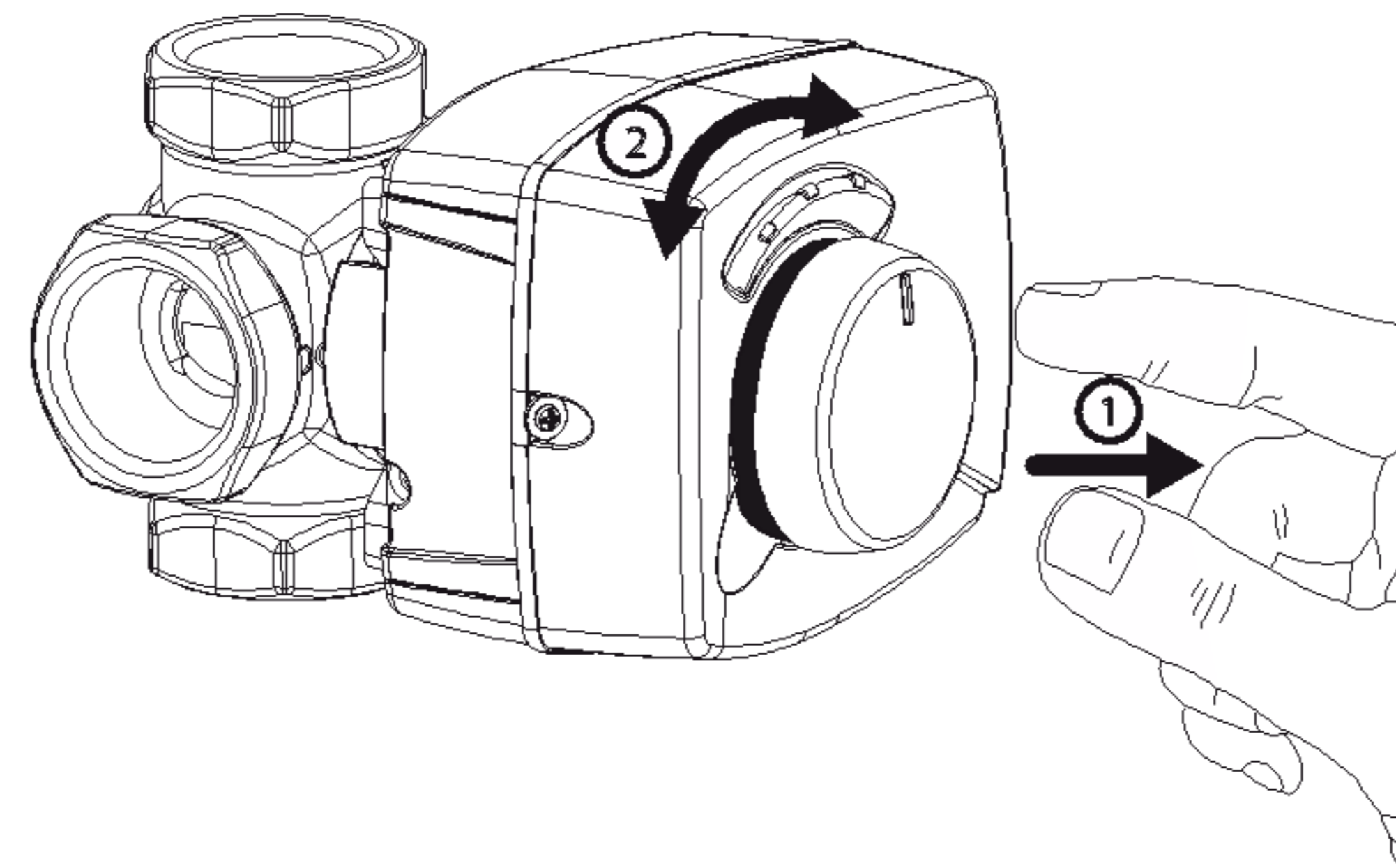
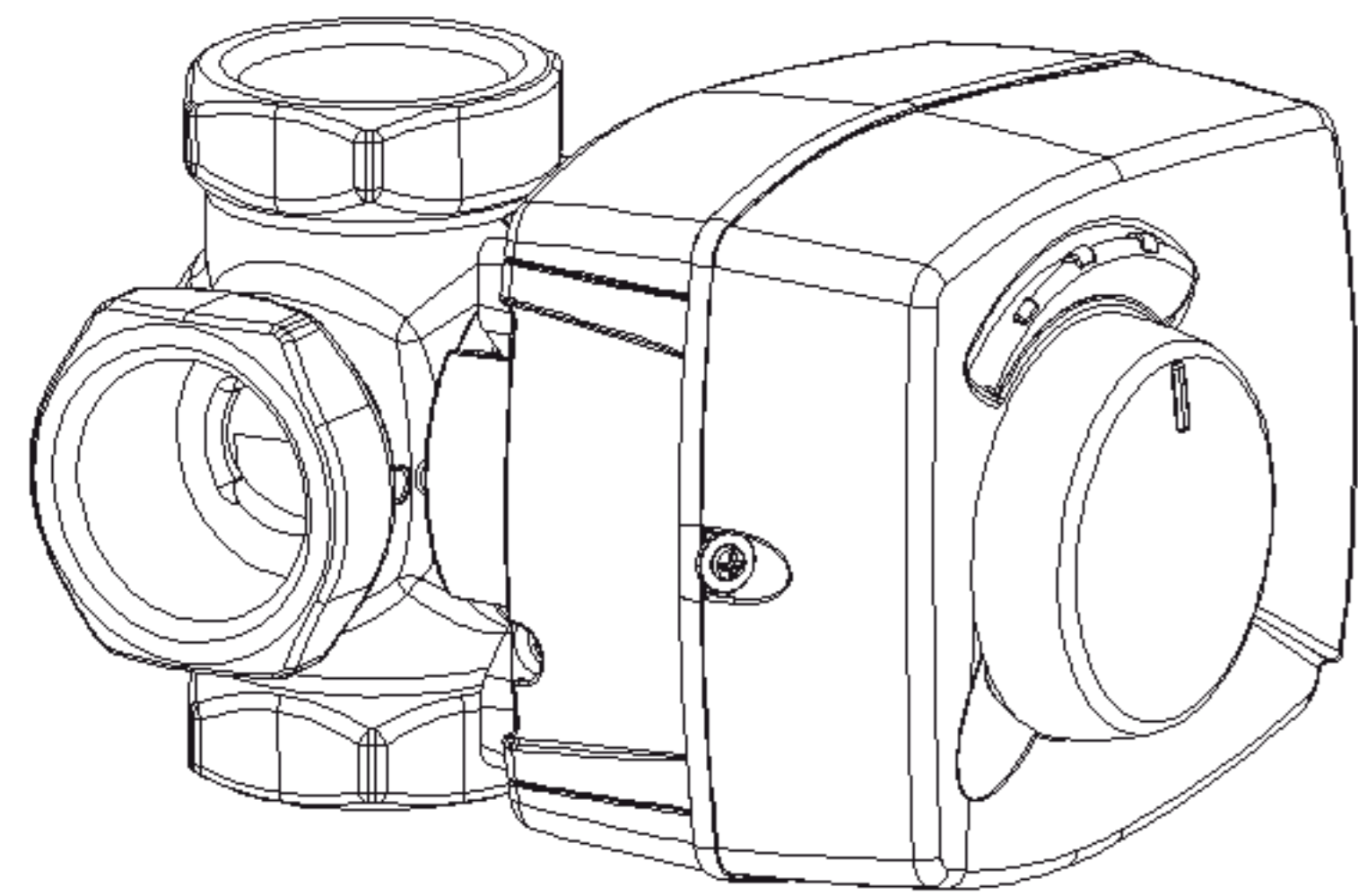
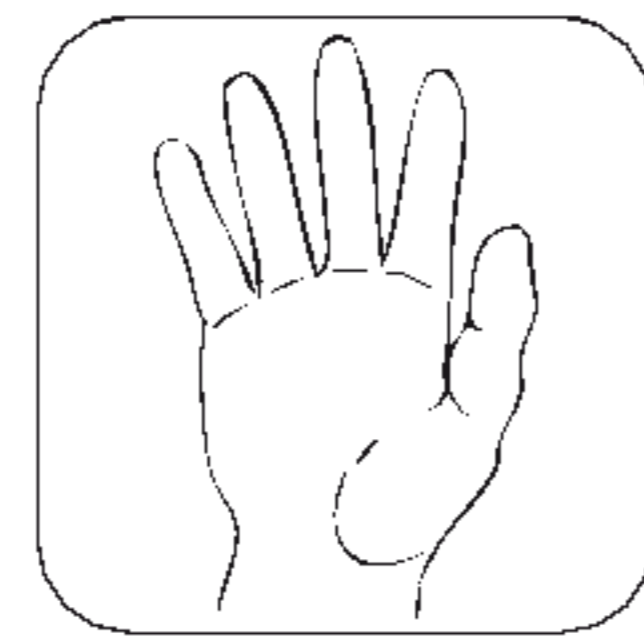
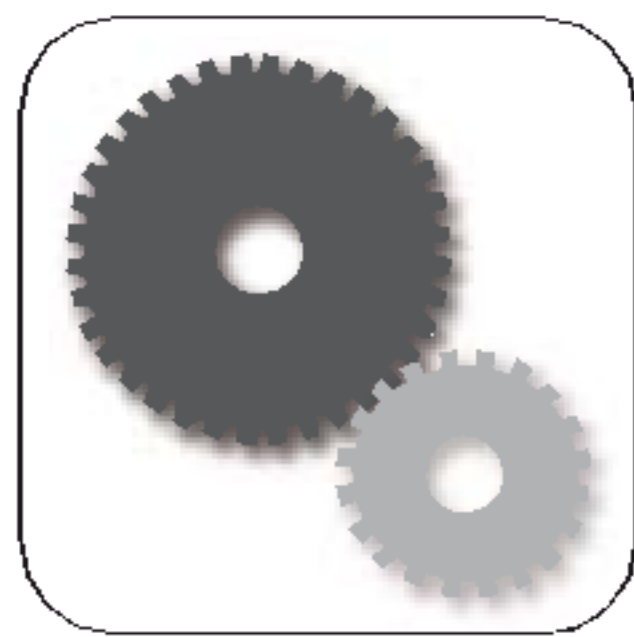
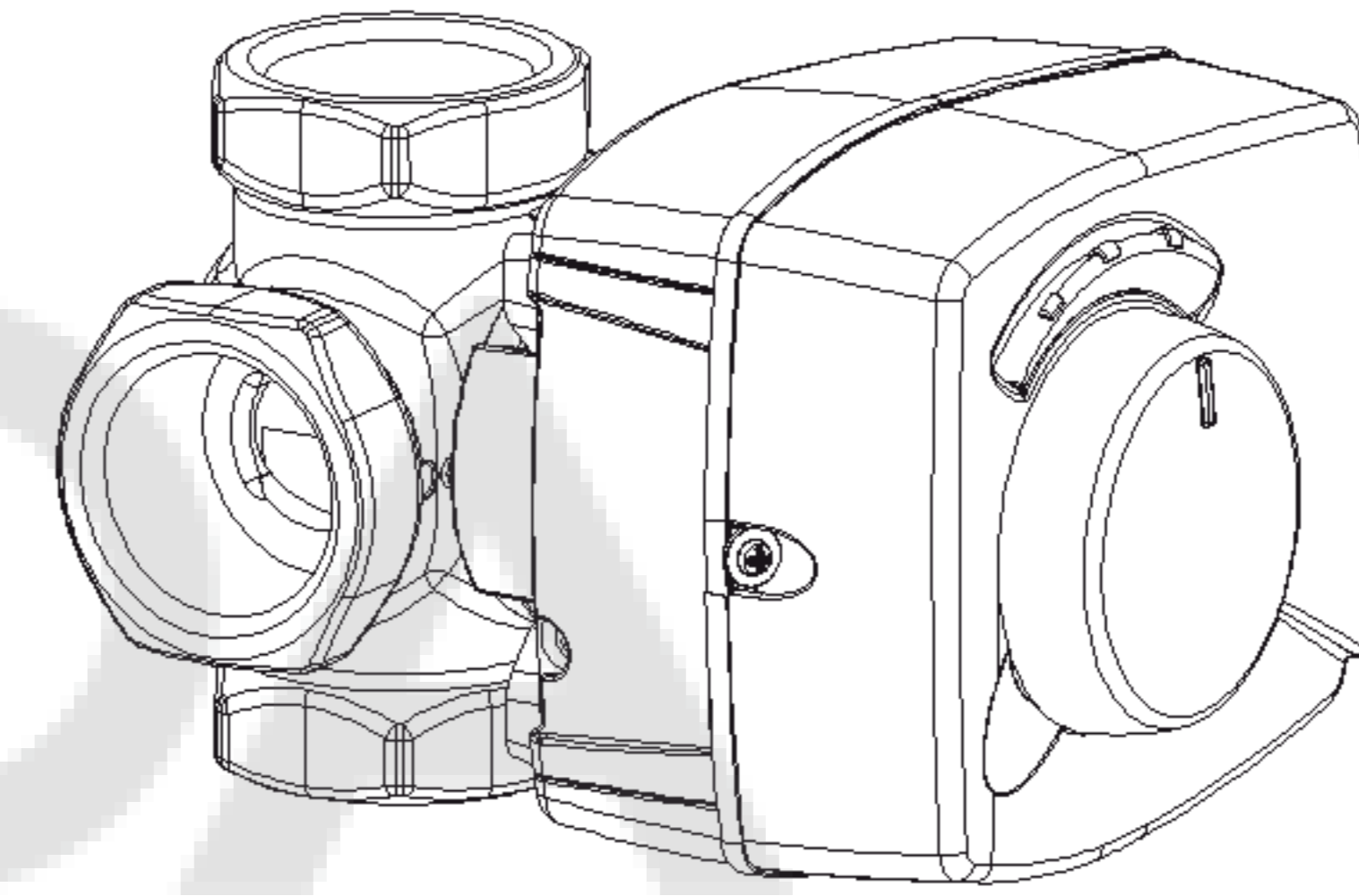
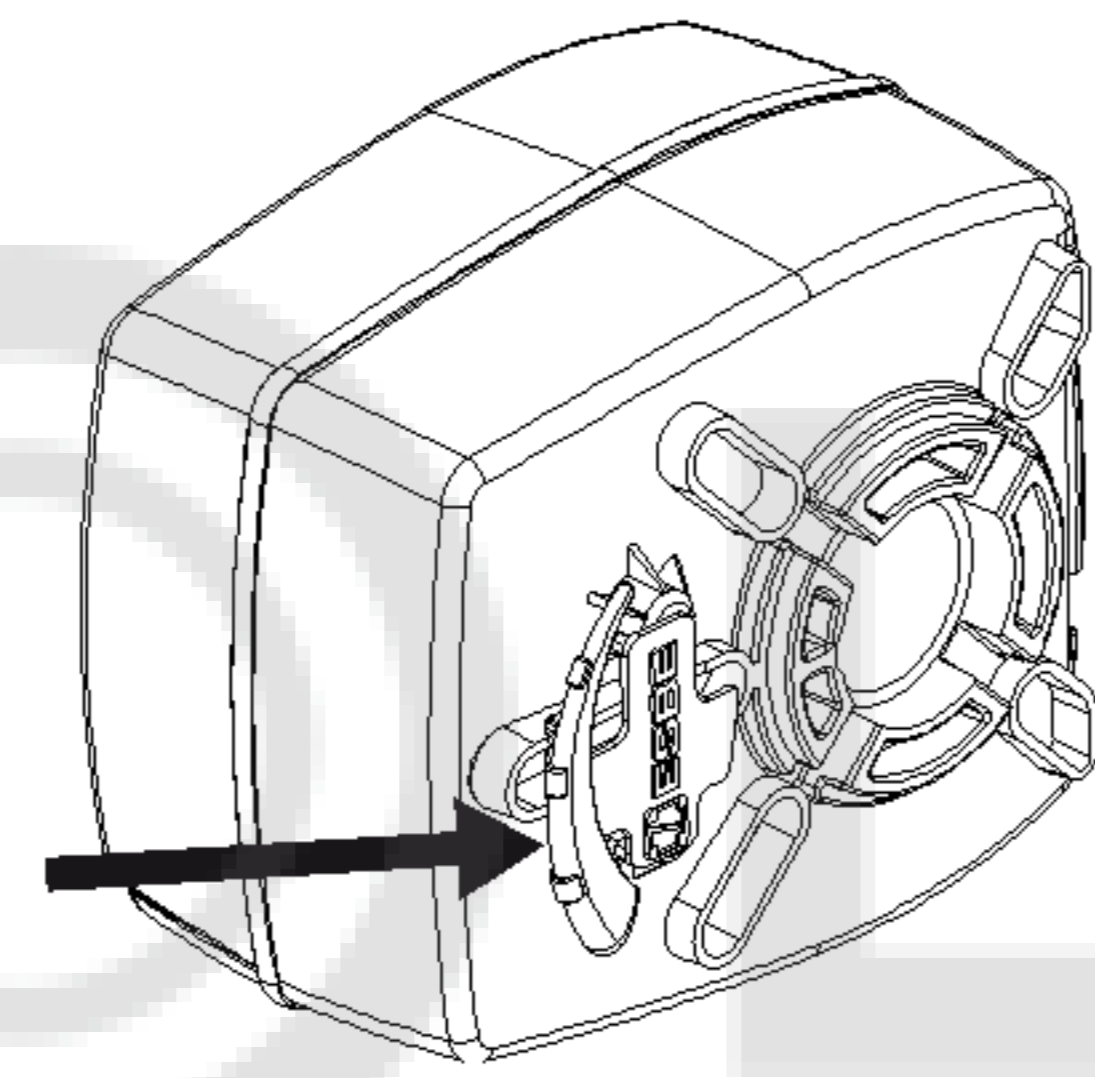
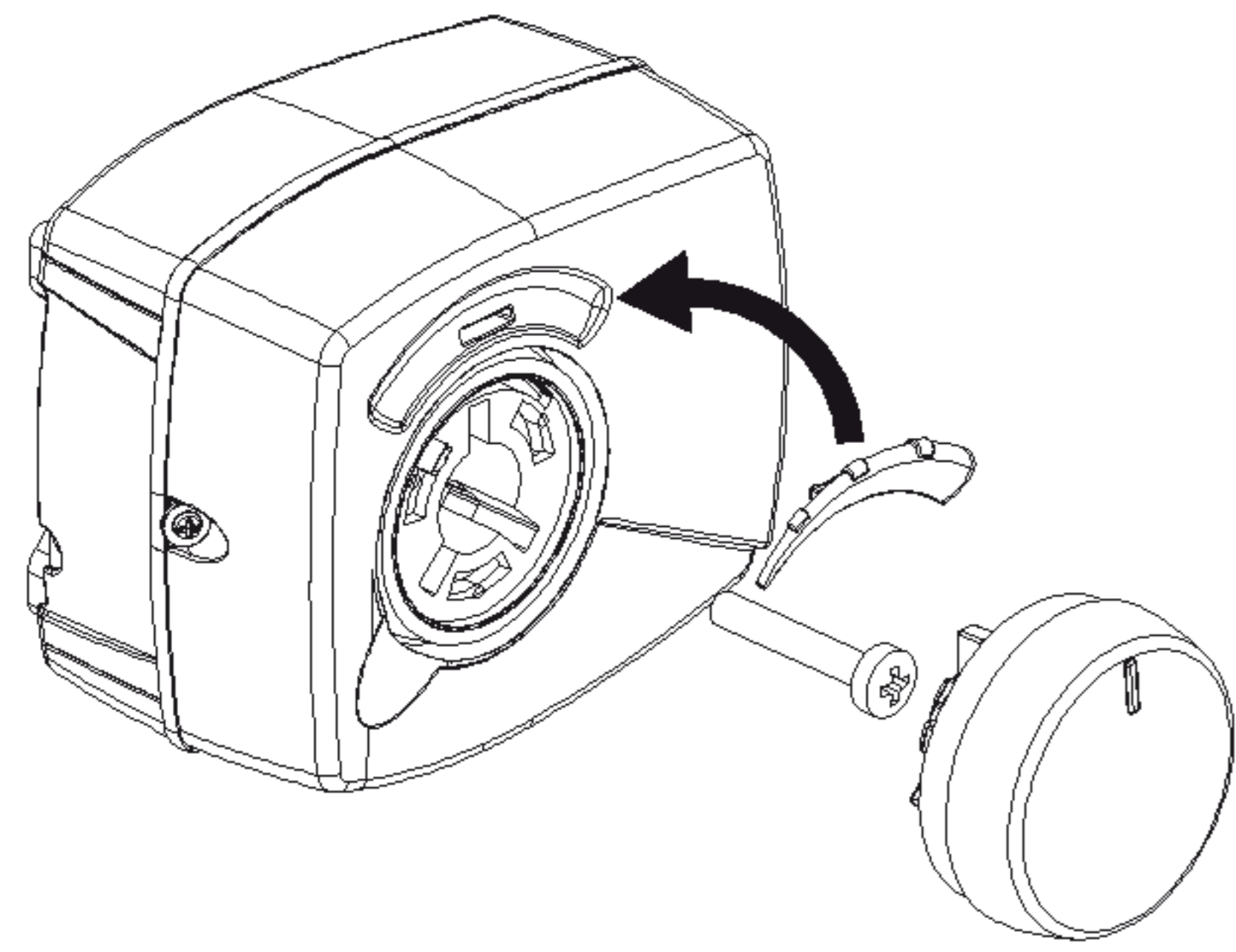
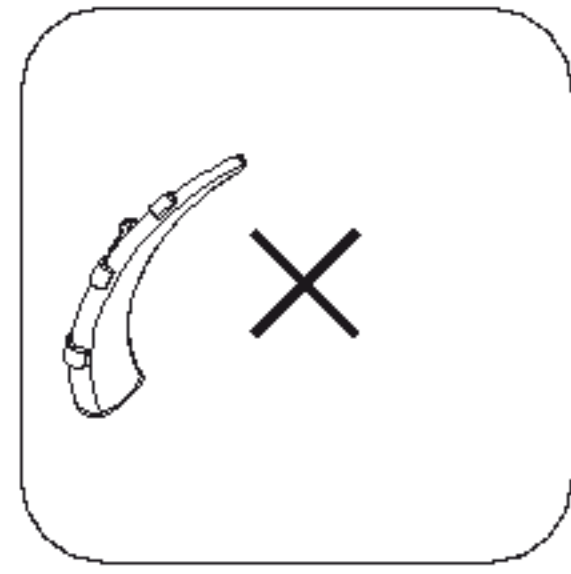
CE

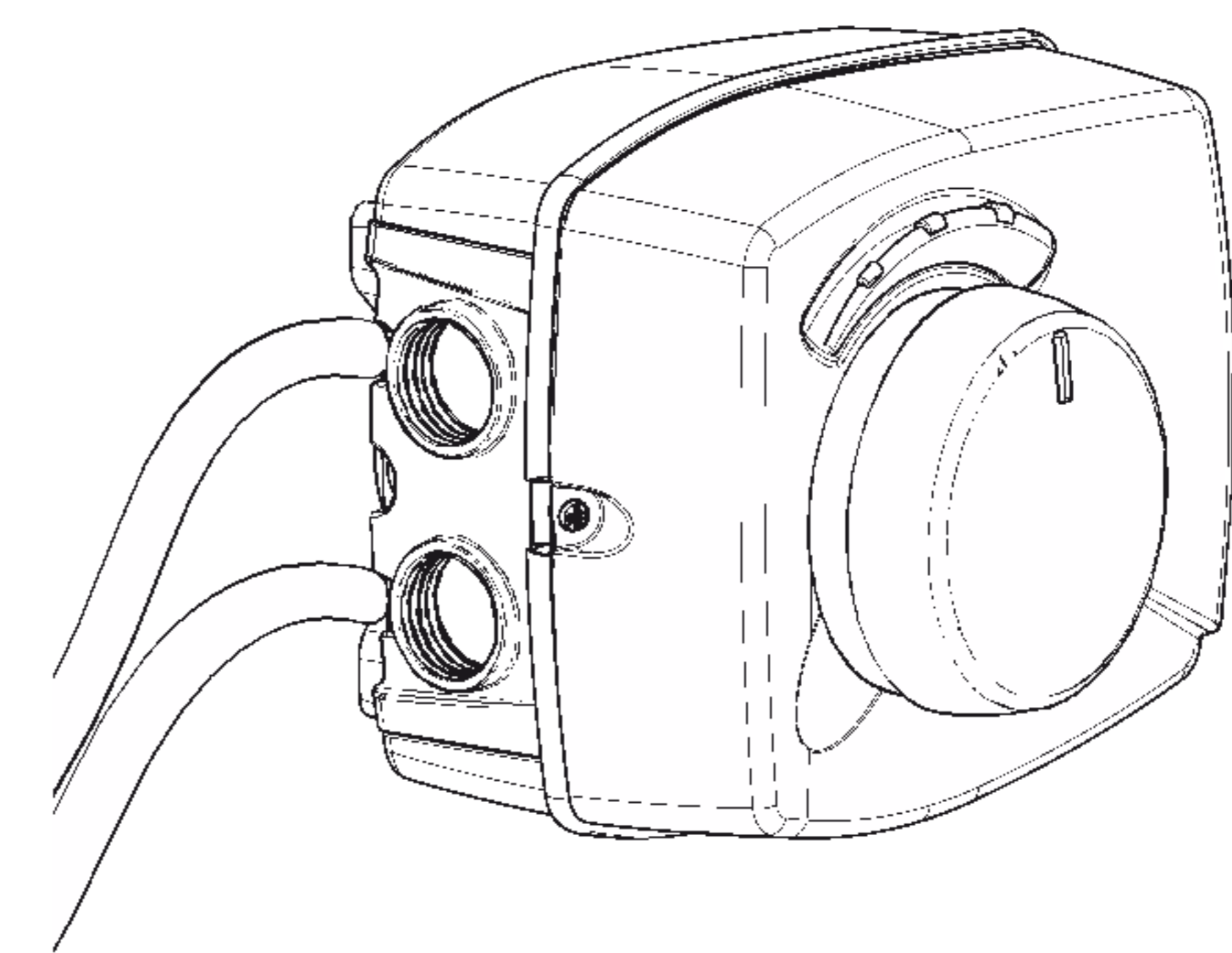
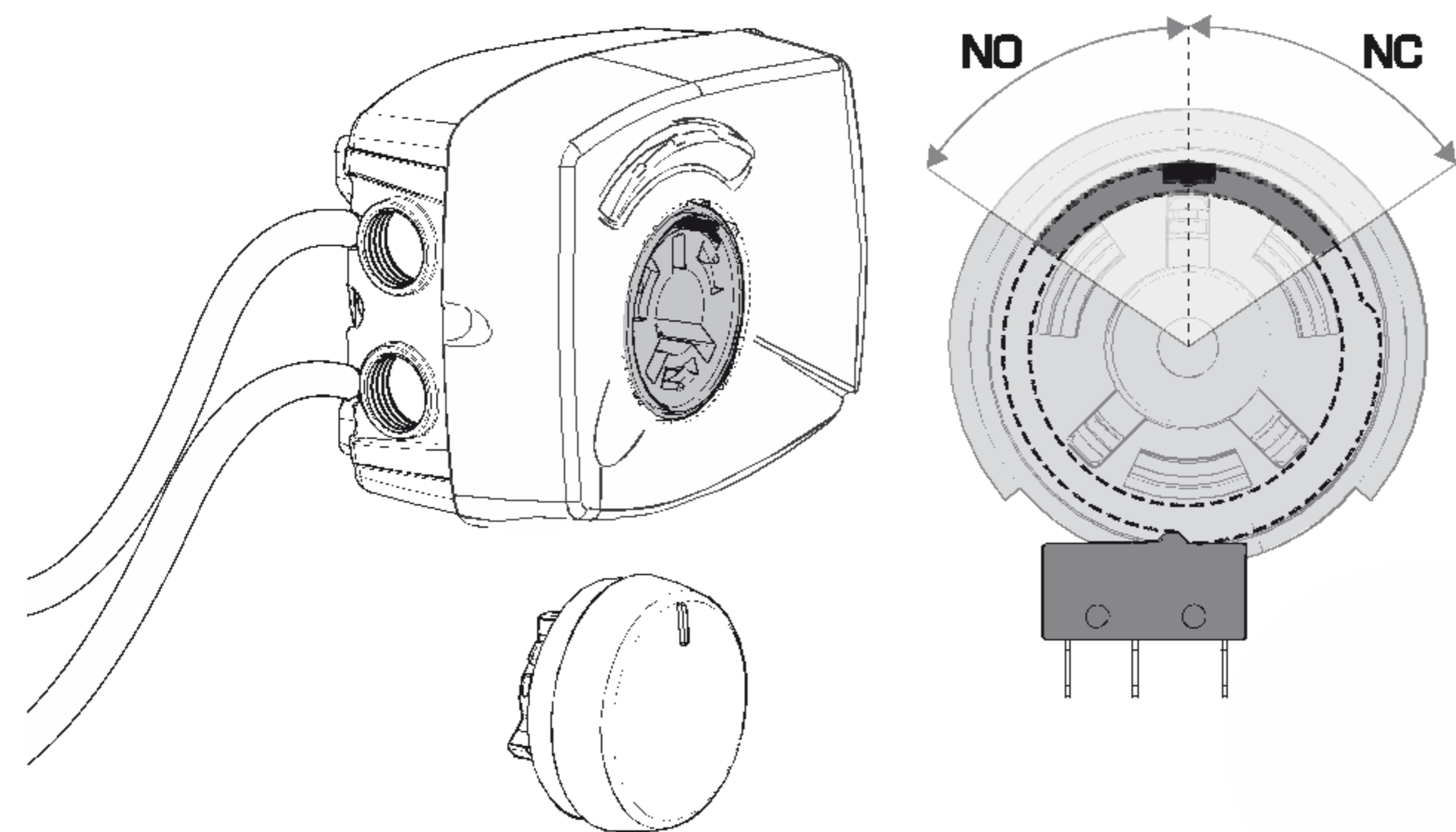
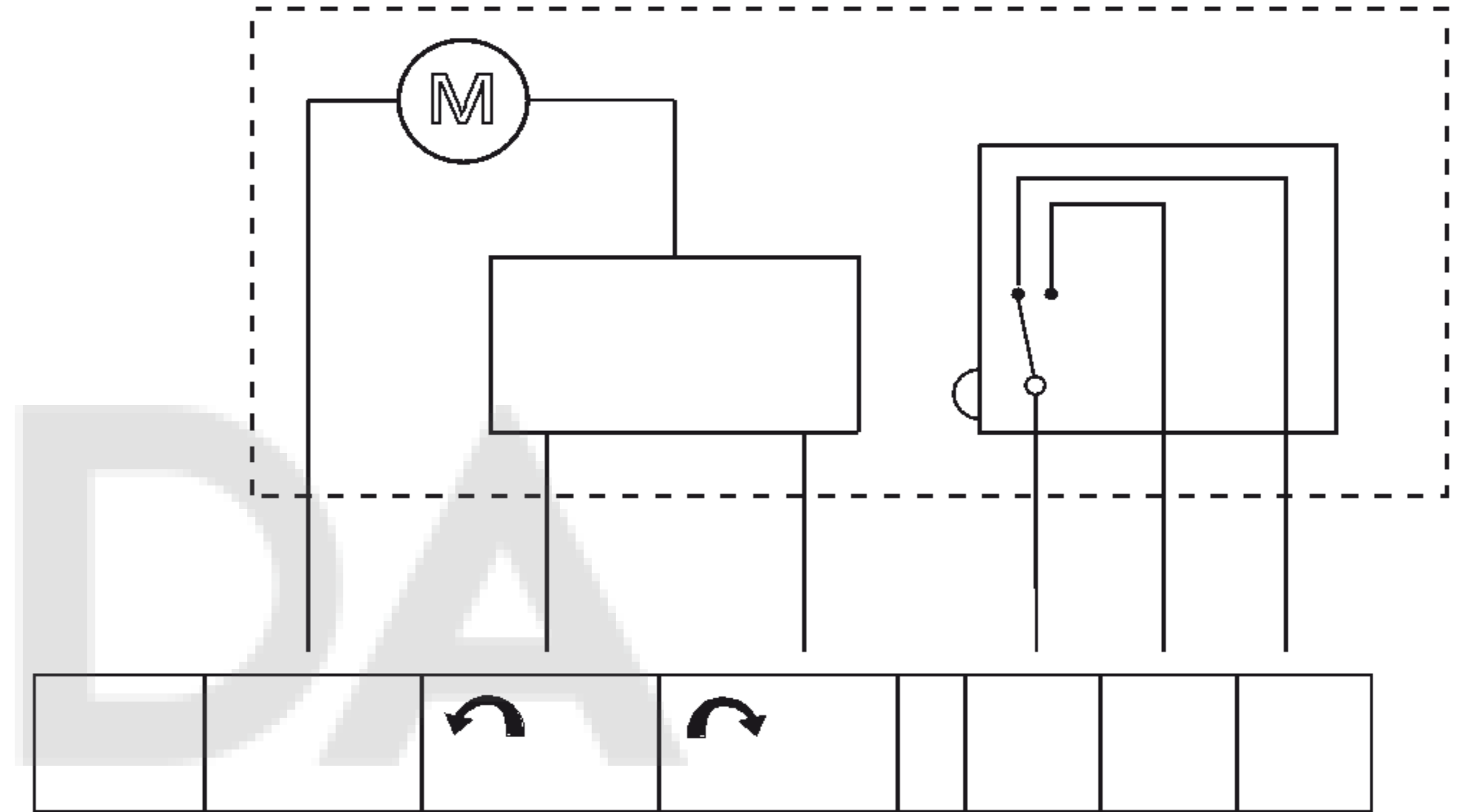
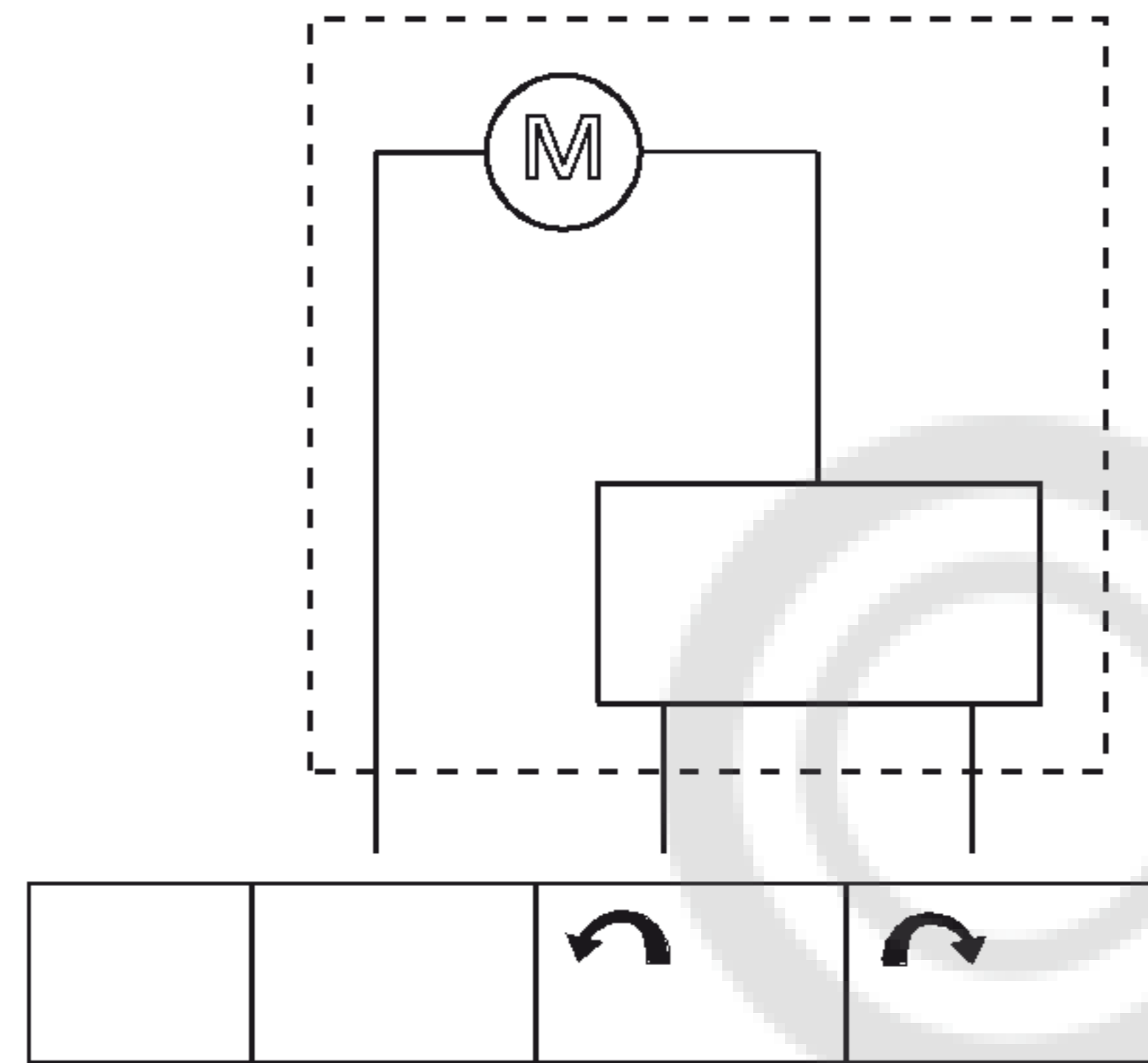


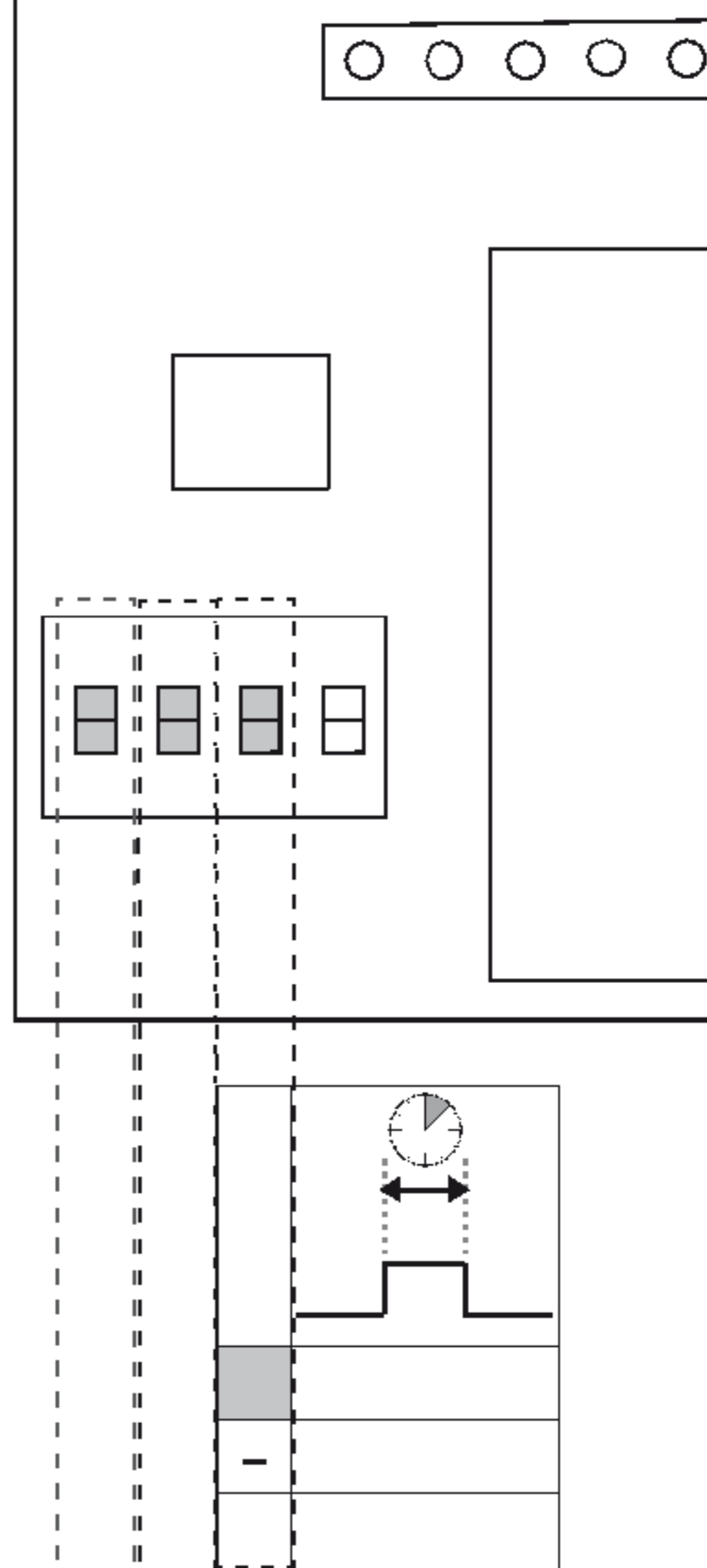
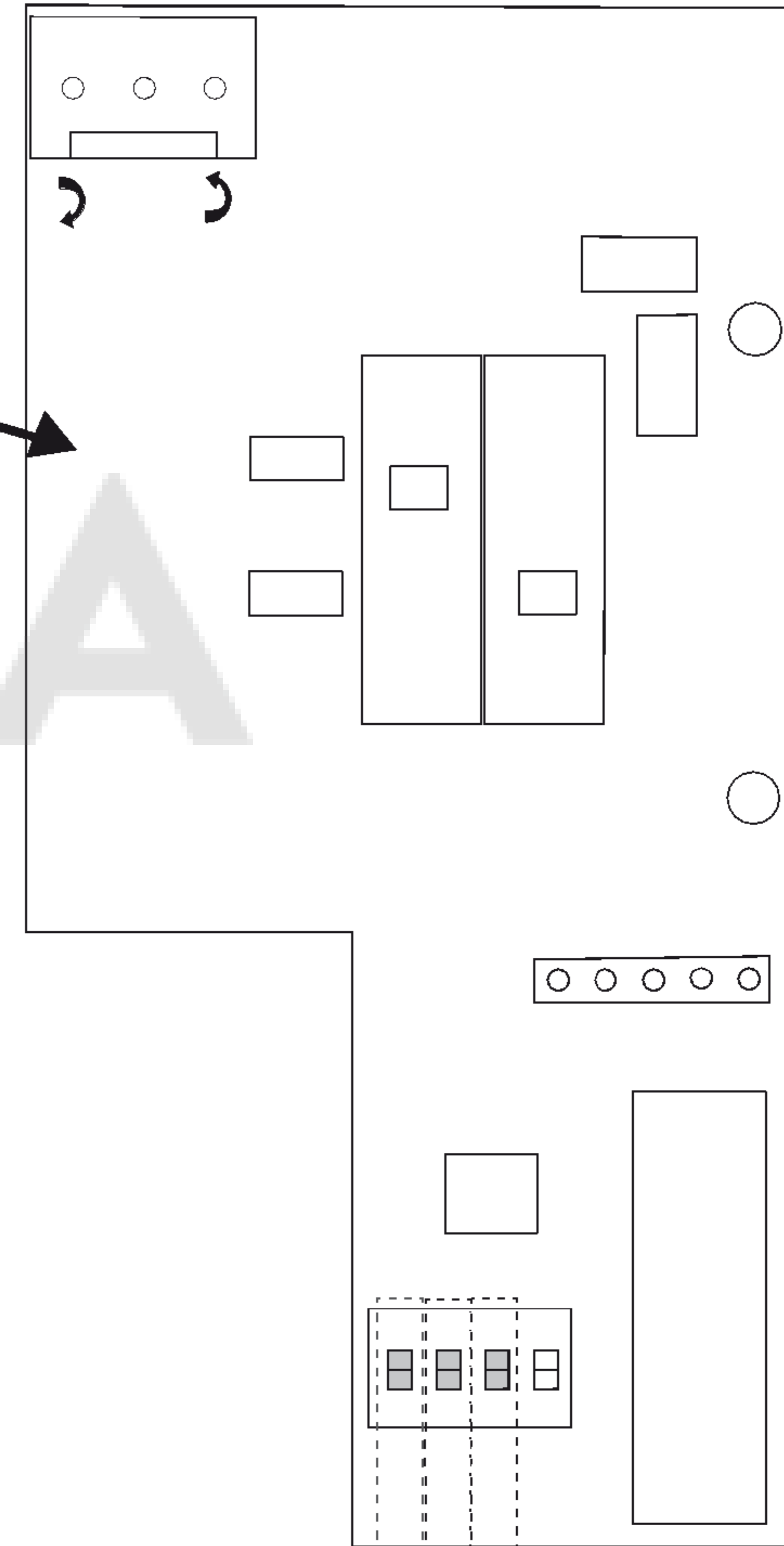
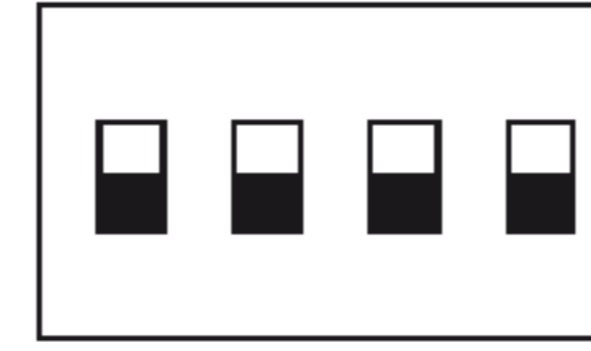
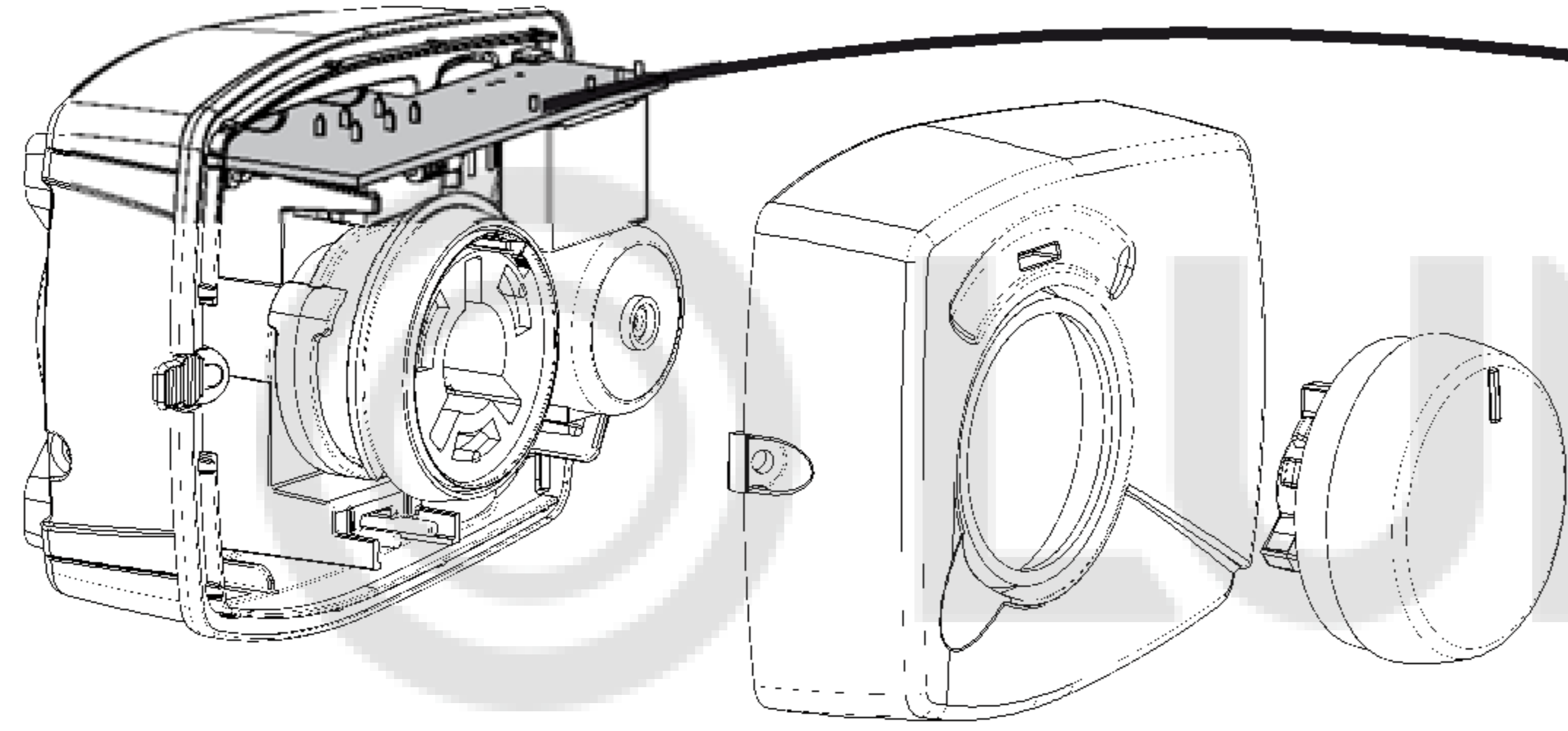
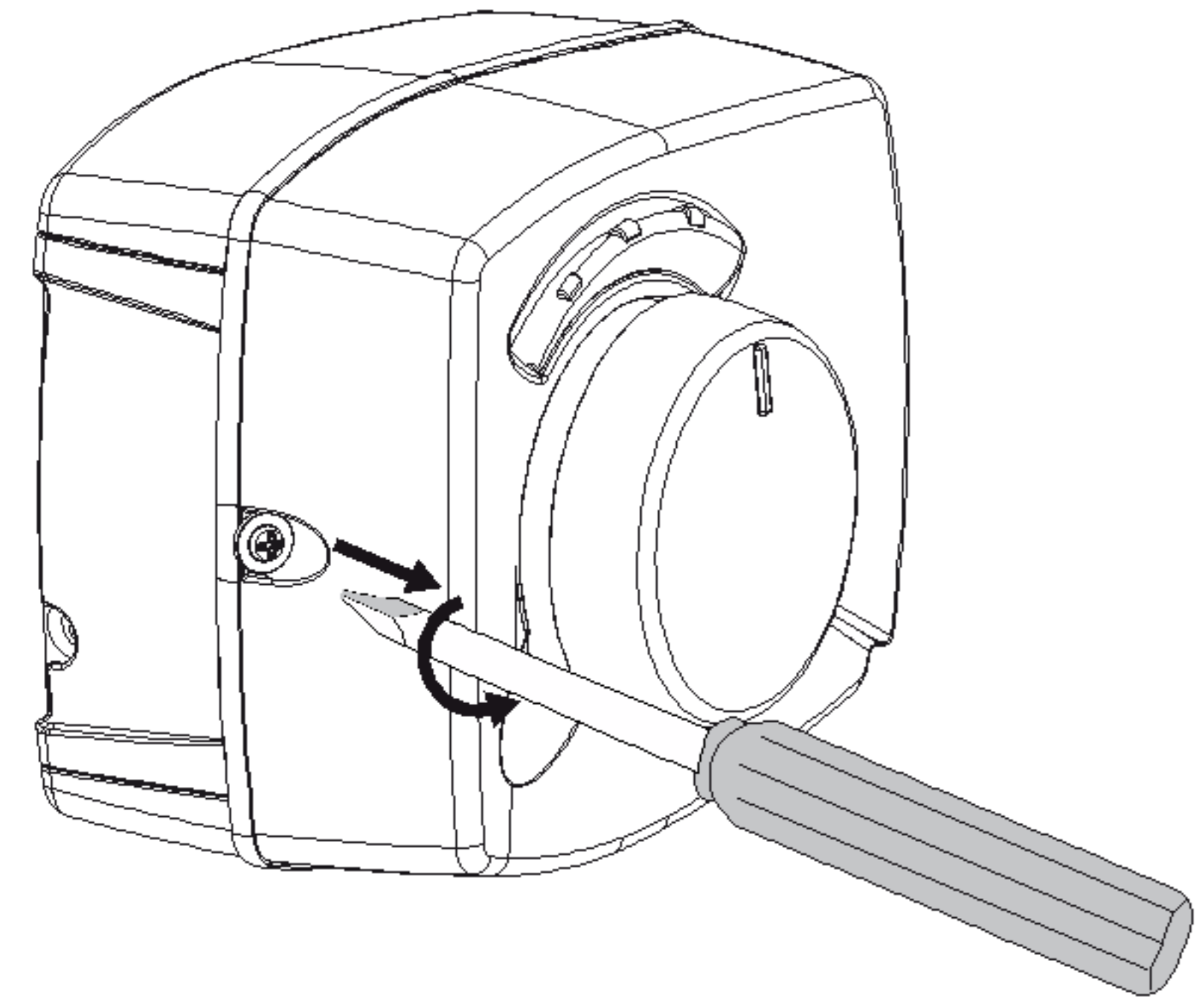
NO.1 IN HYDRONIC SYSTEM CONTROL



| | | |
|--|--|--|
| | | |
| | | |
| | | |
| | | |
| | | |
| | | |
| | | |
| | | |
| | | |







| | | | |
|---|---|--|--|
| - | - | | |
| - | - | | |
| - | - | | |
| - | - | | |