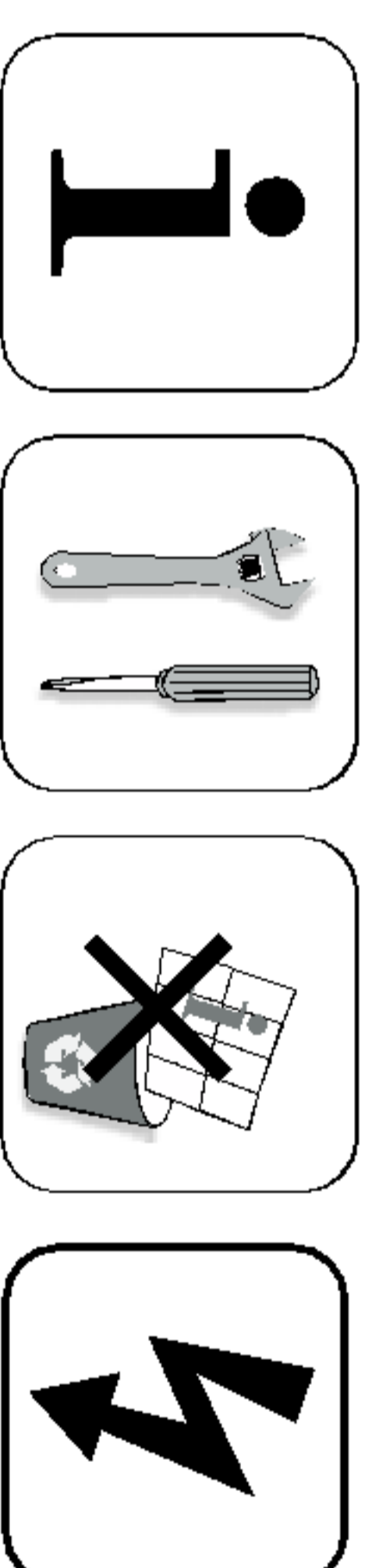


ESBE

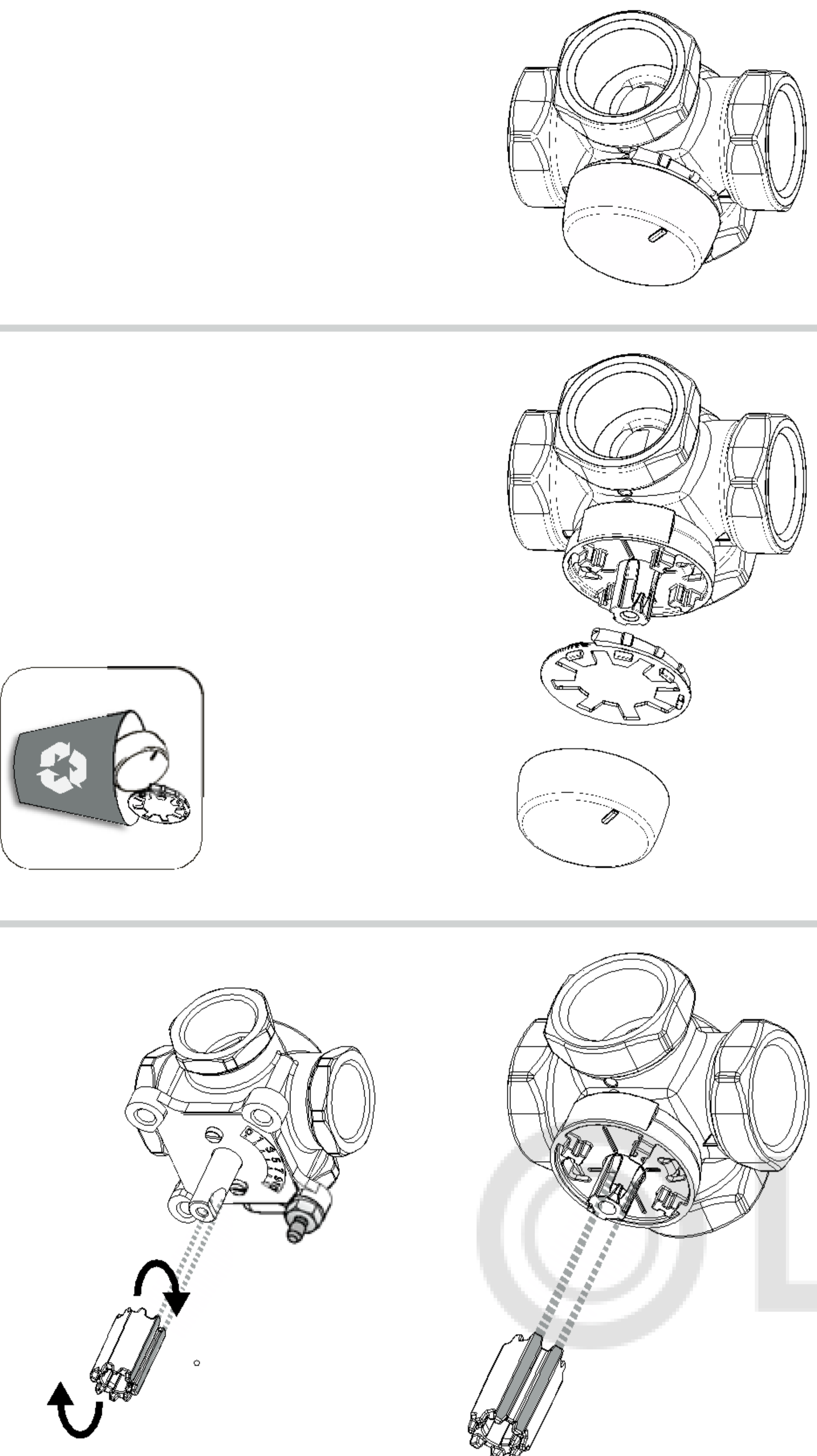
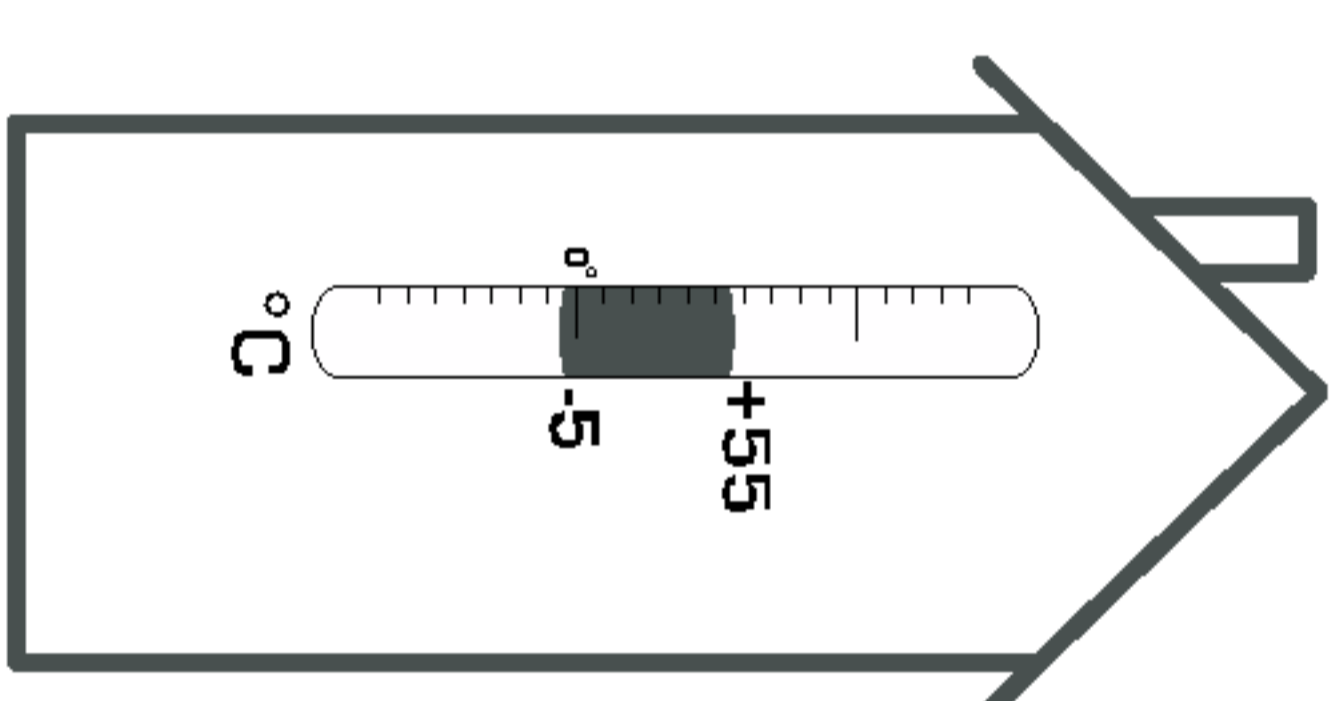
www.esbe.se



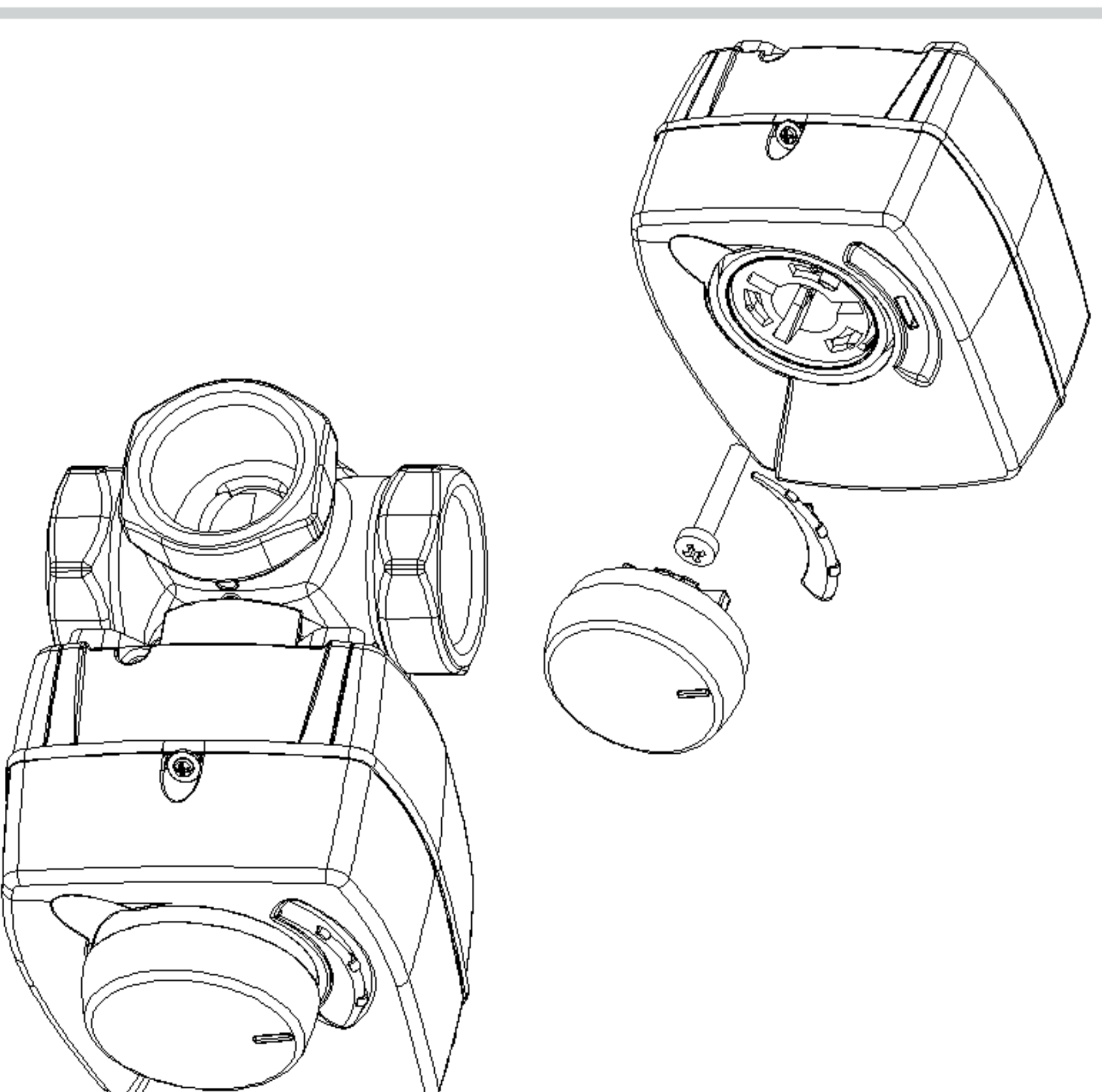
ESBE
NO.1 IN HYDRONIC SYSTEM CONTROL

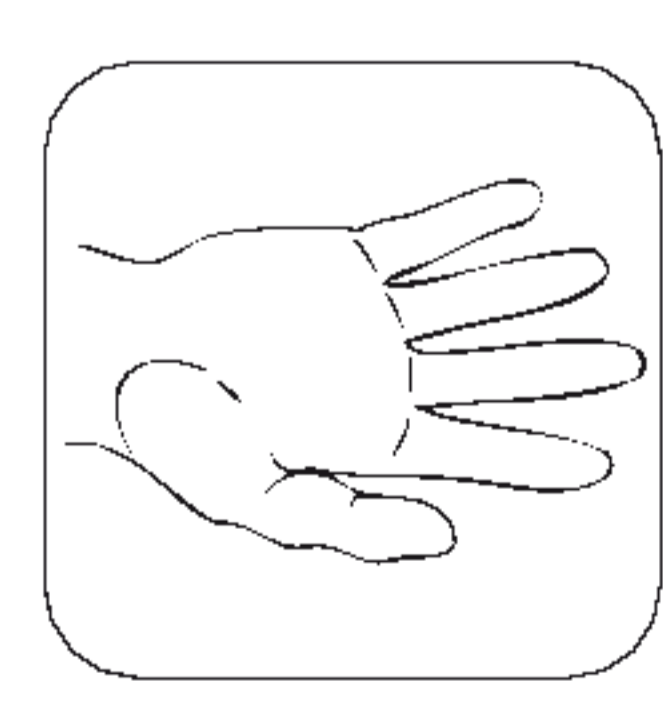
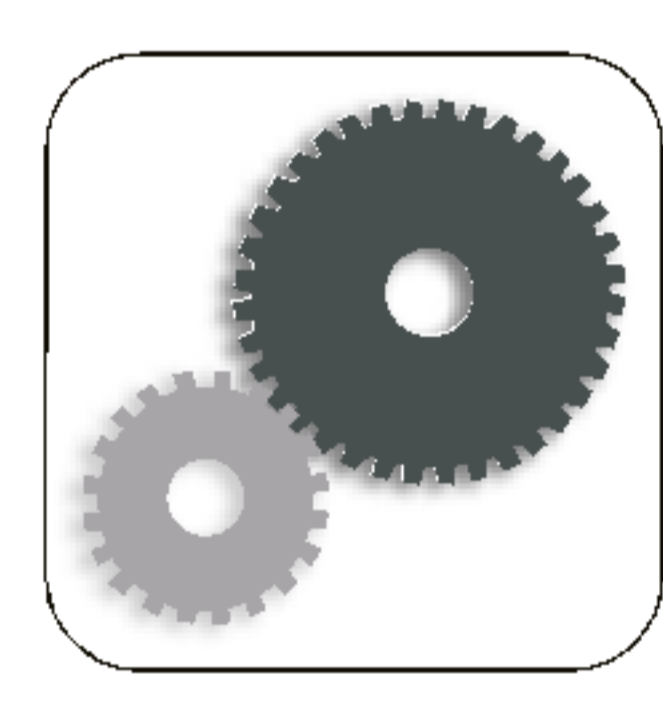
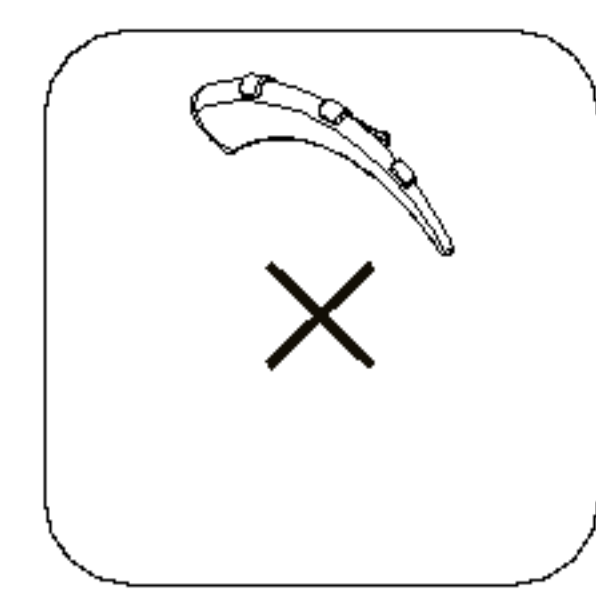
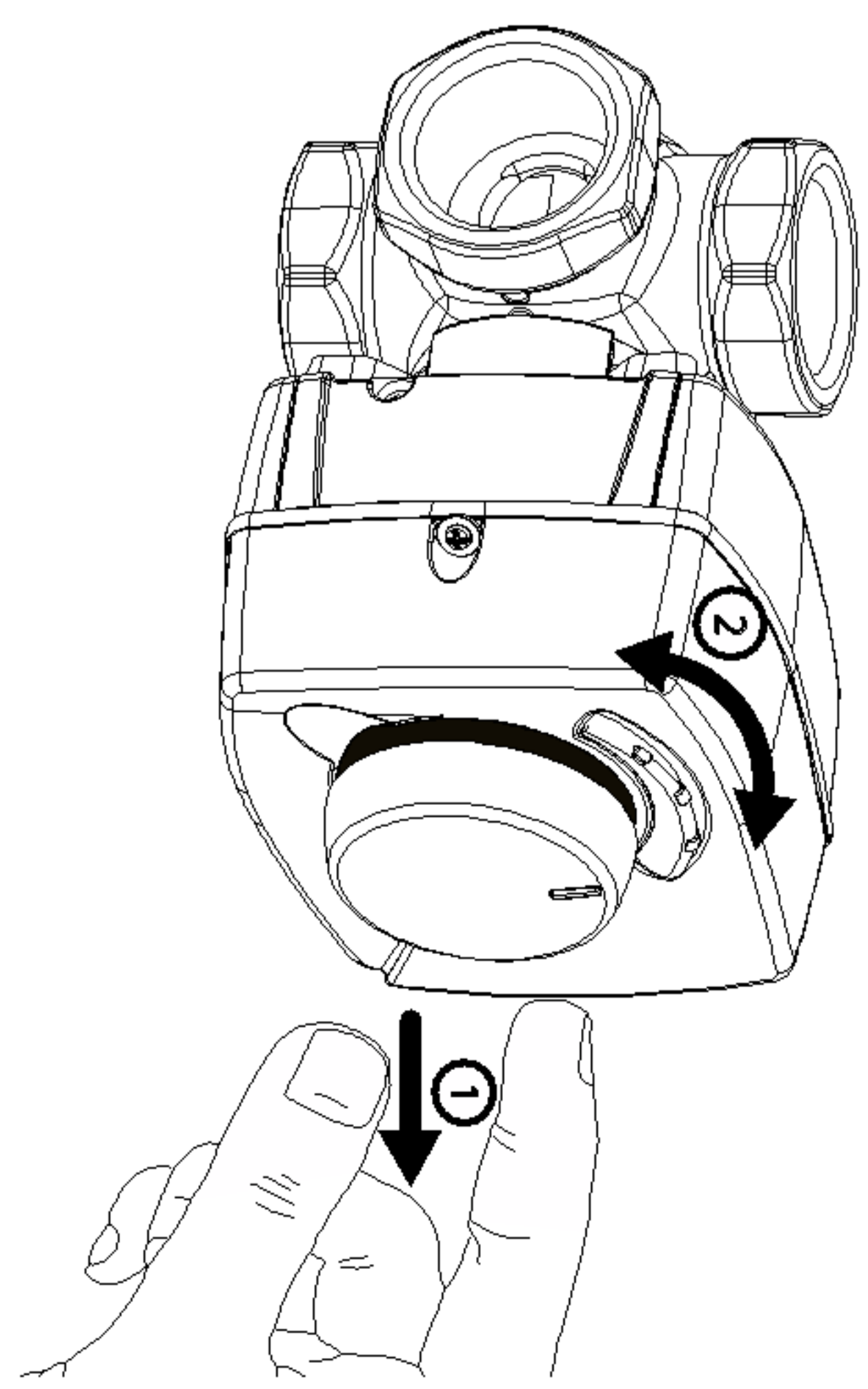
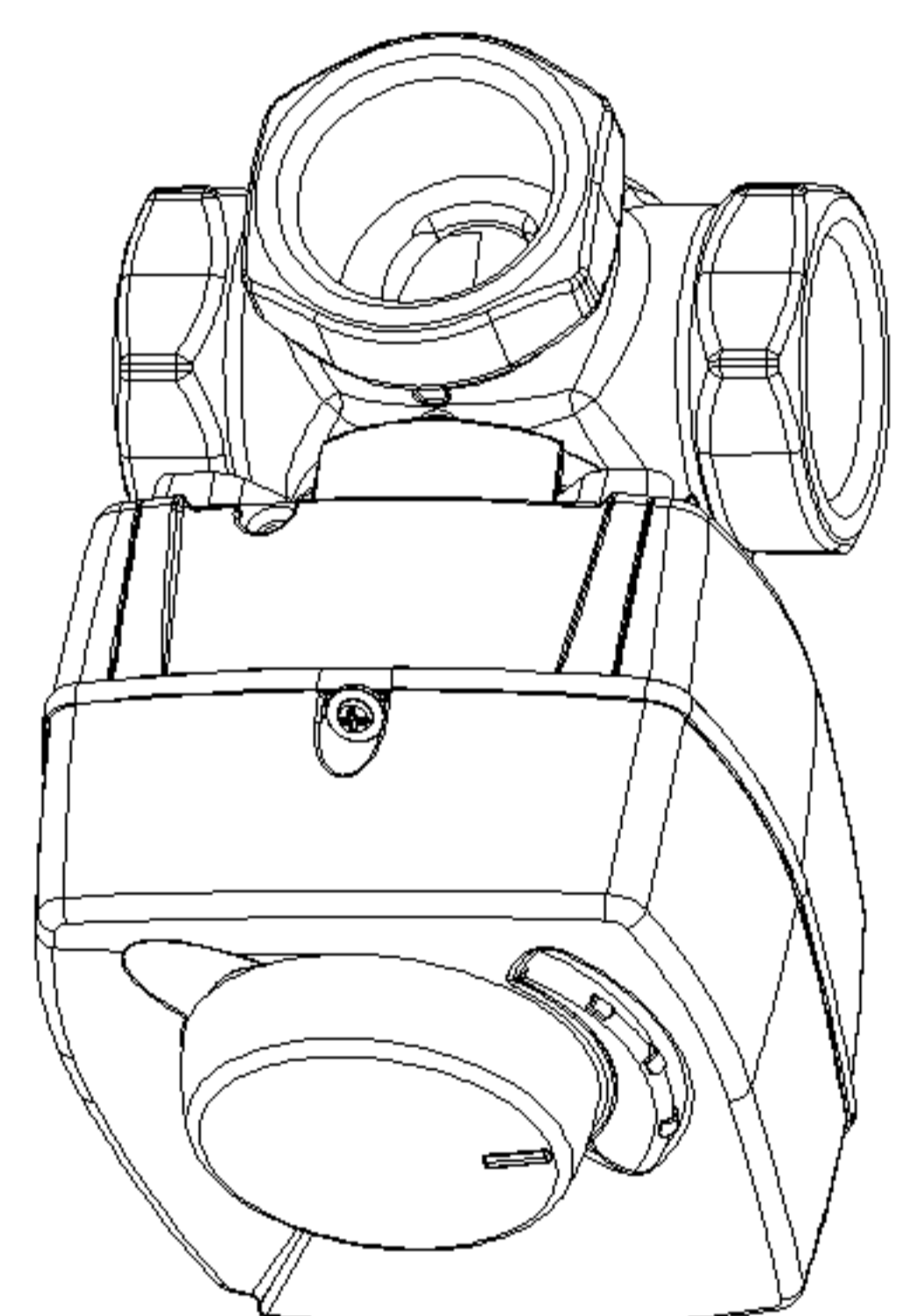
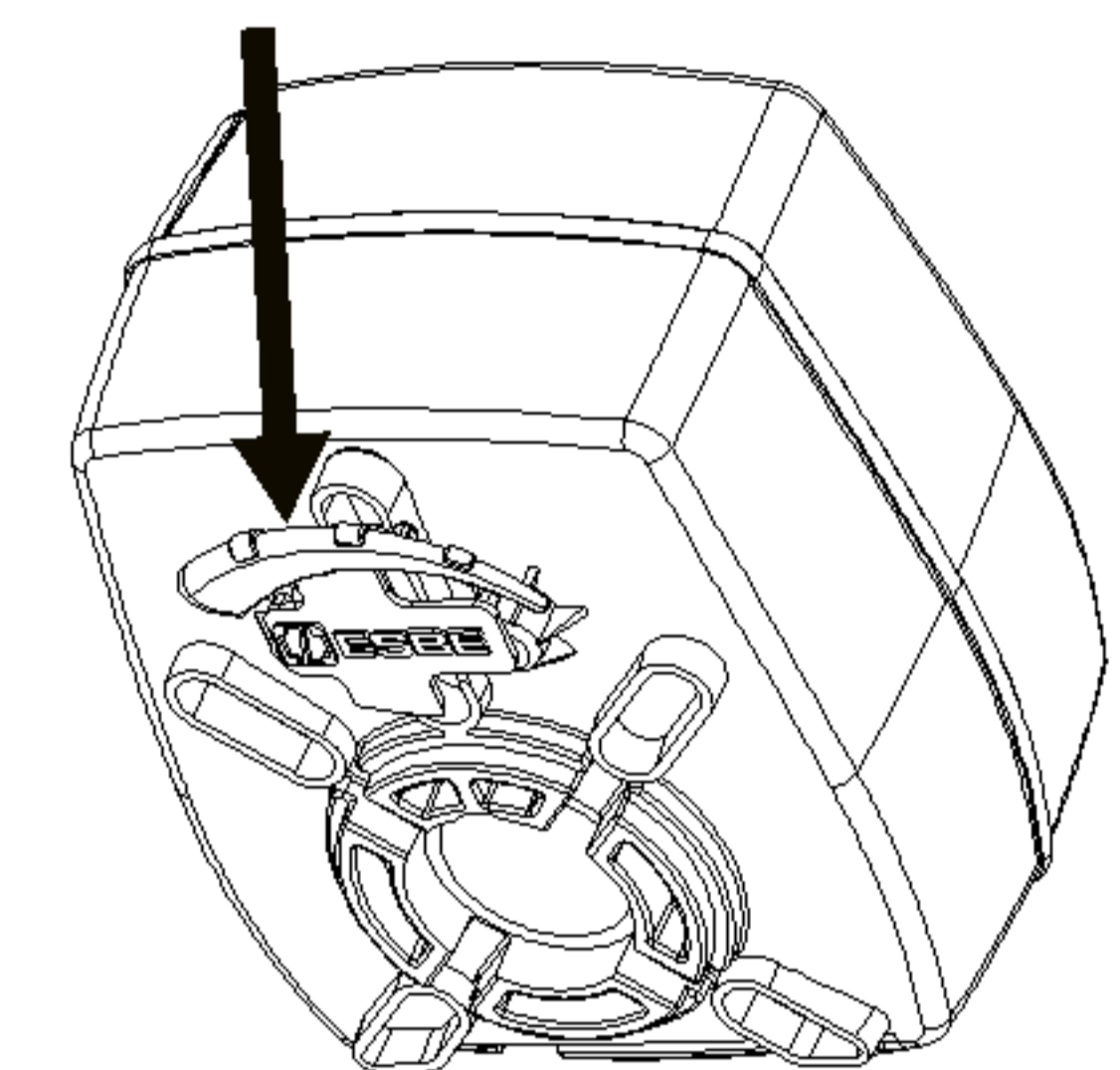
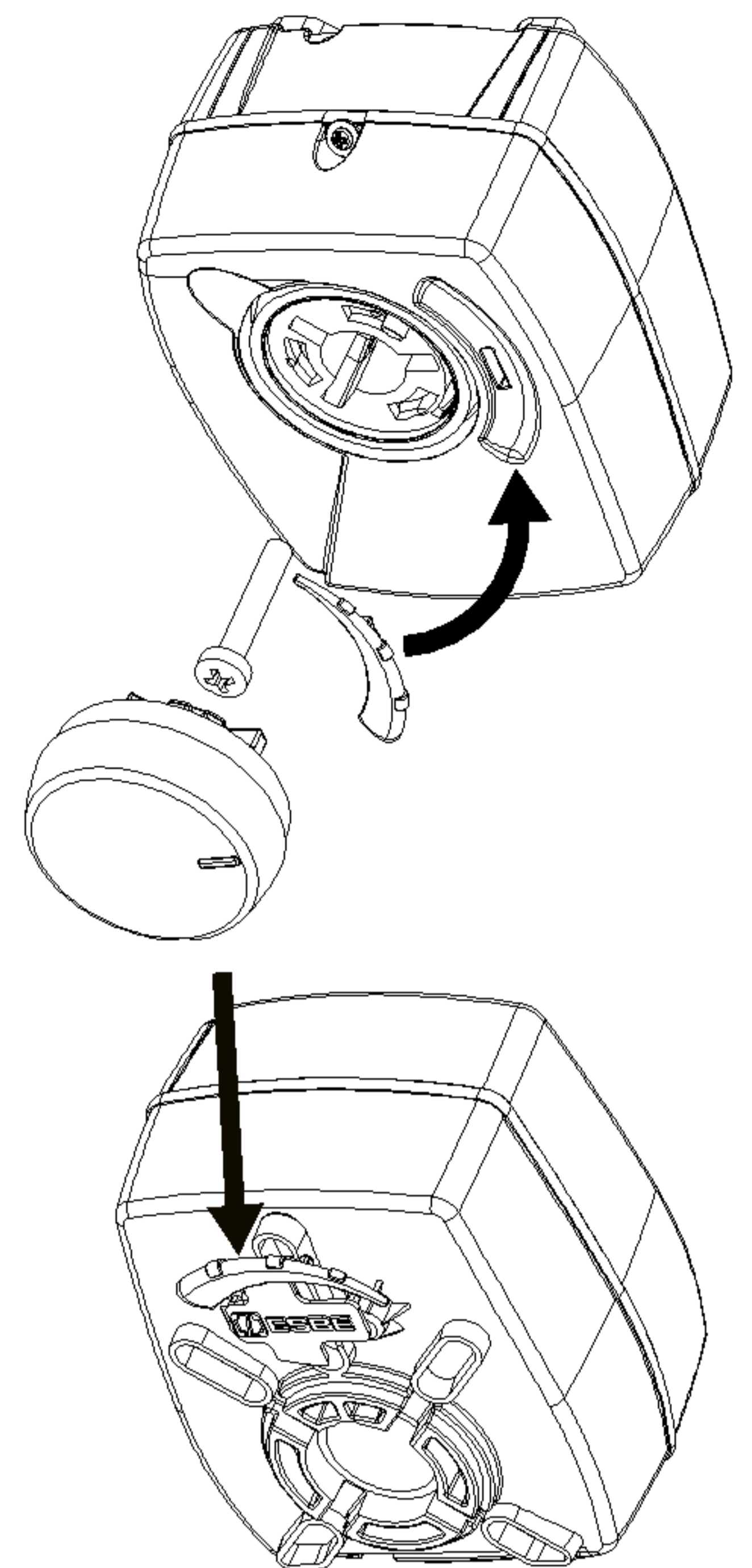
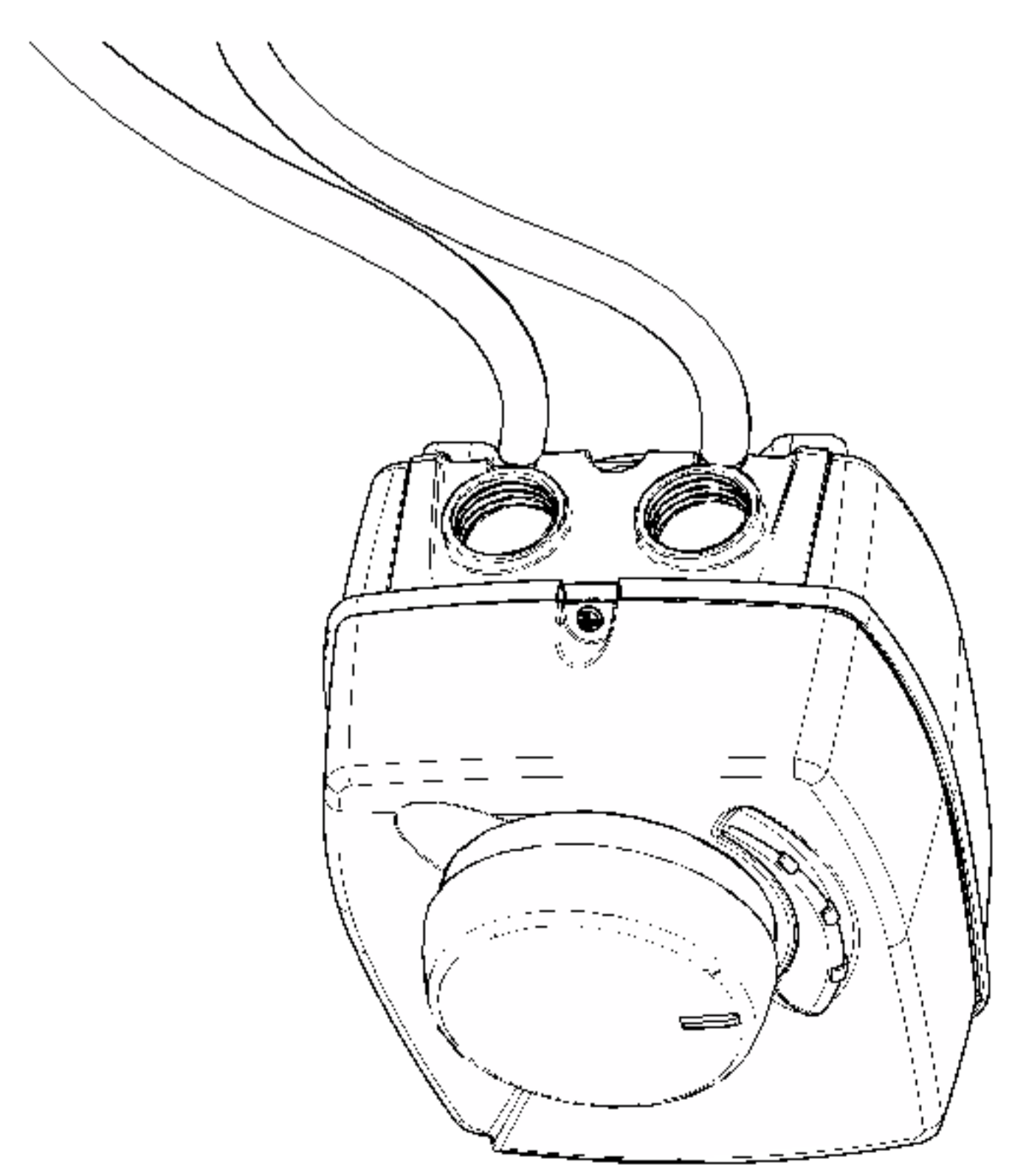
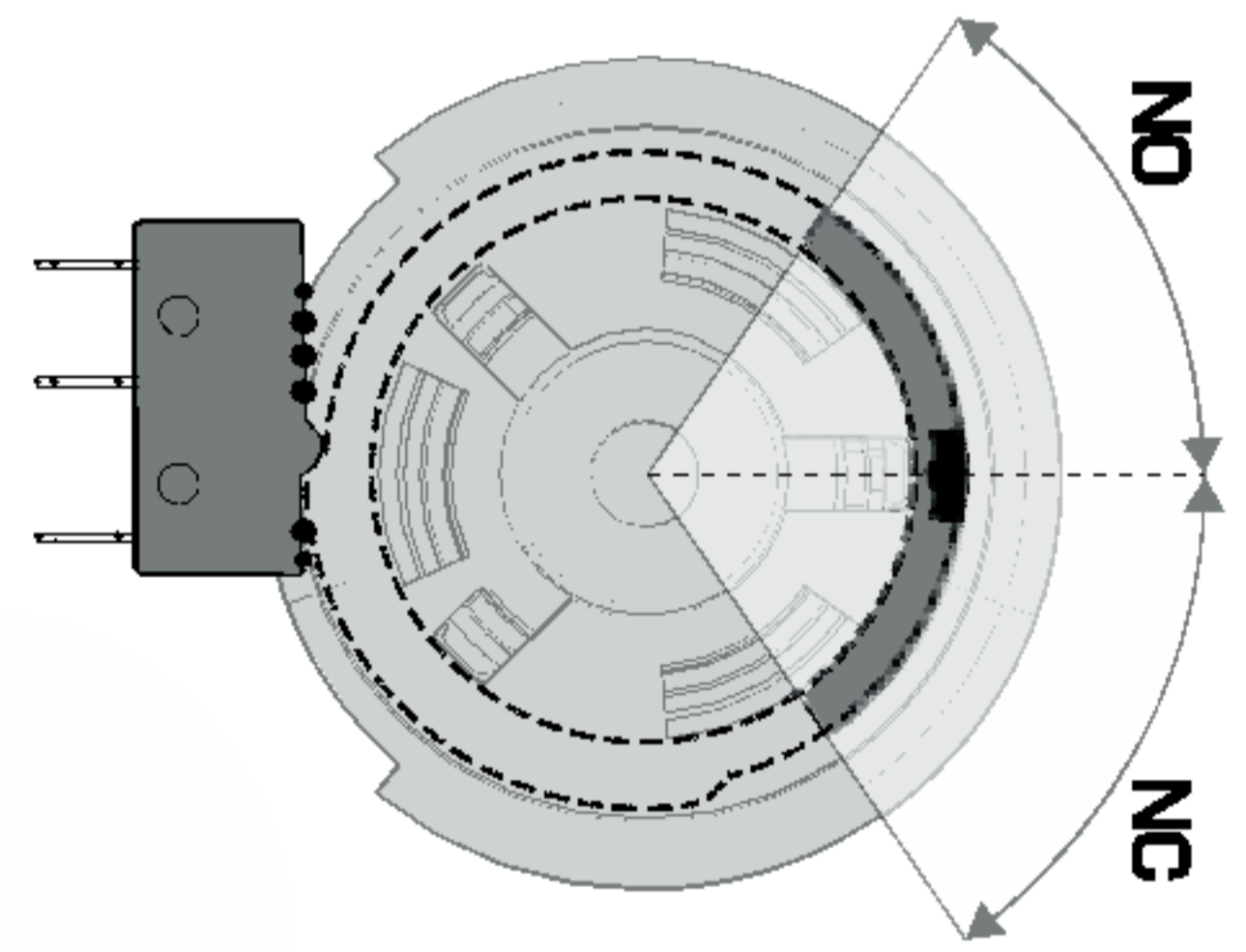
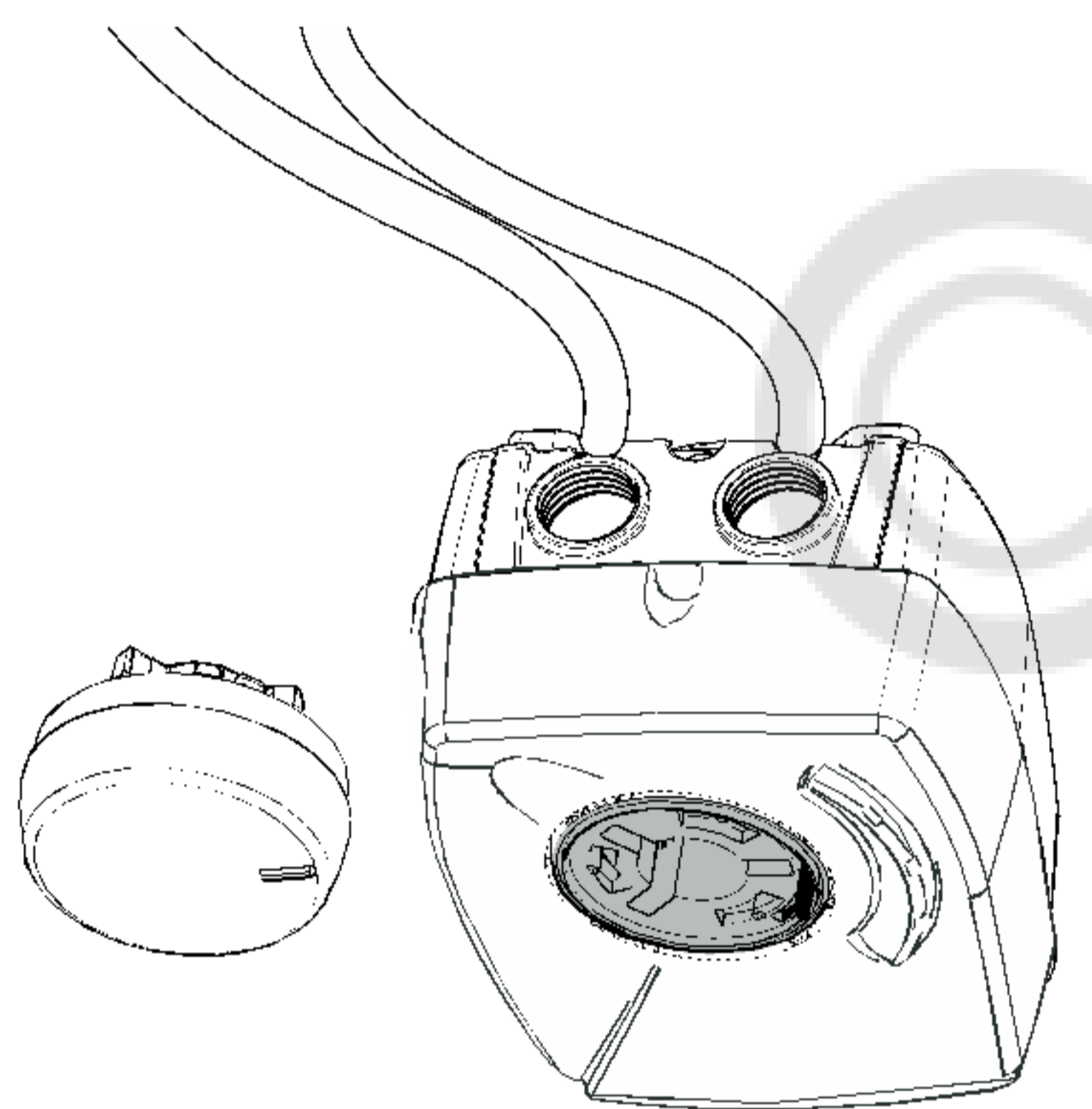
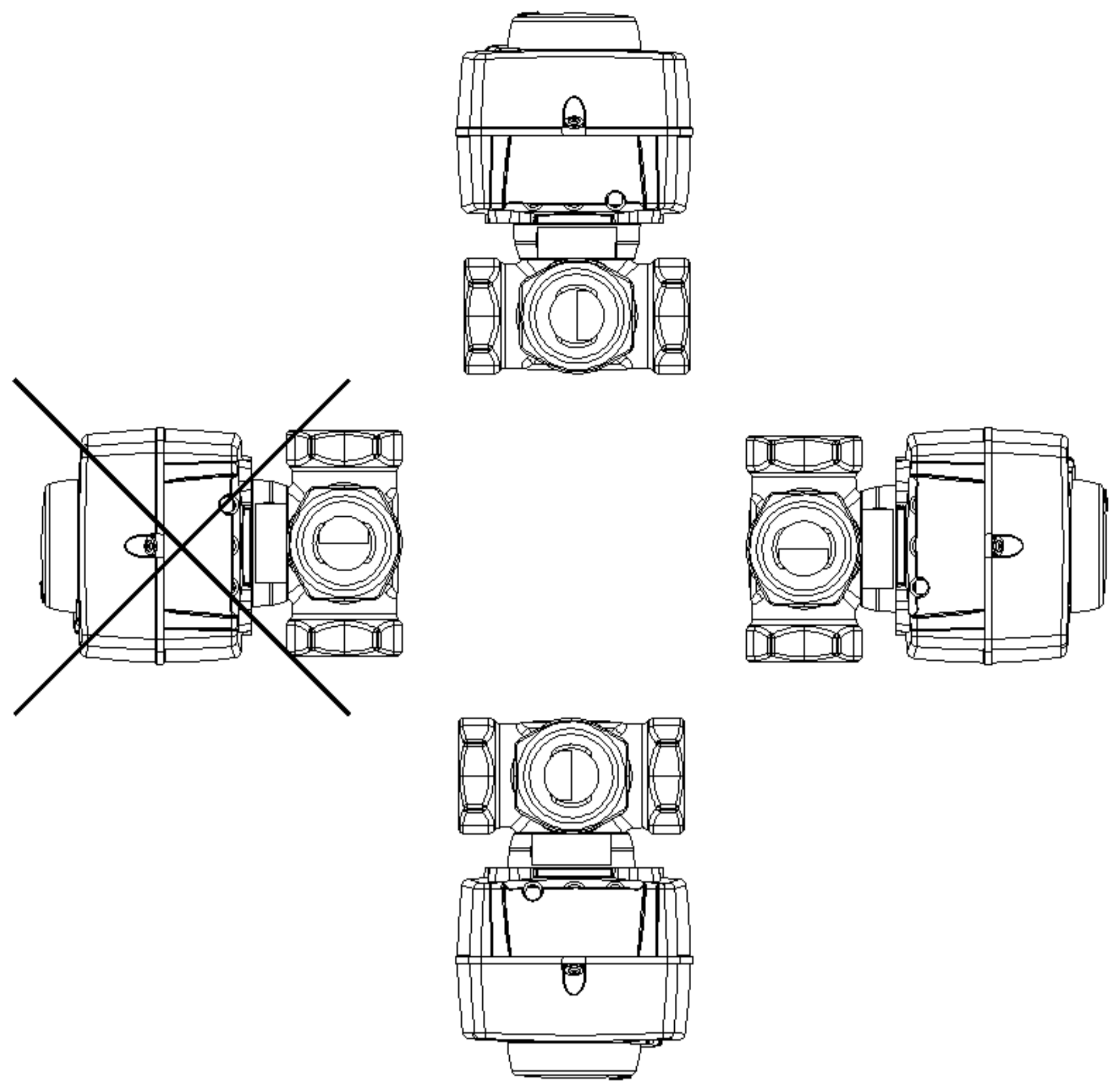


CE

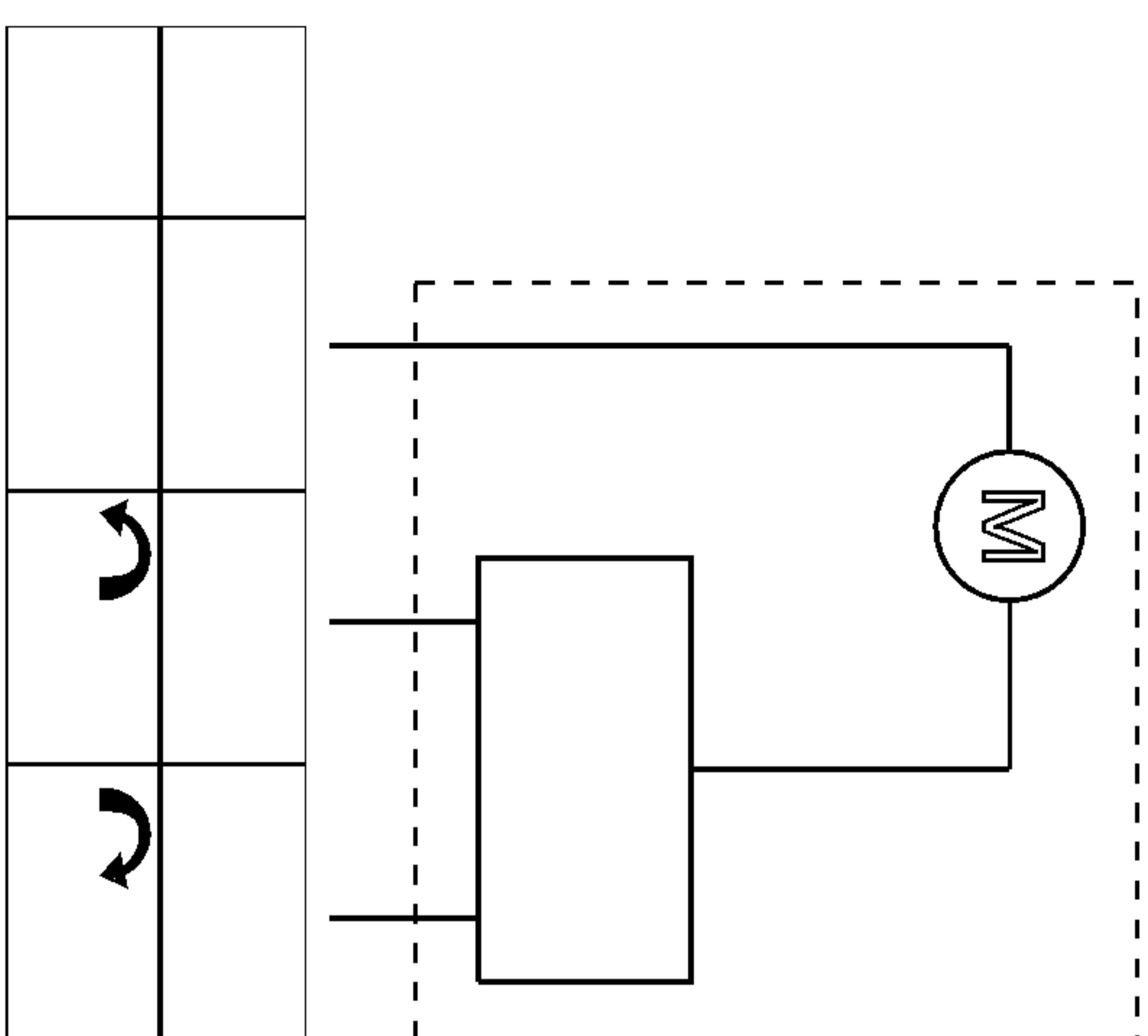
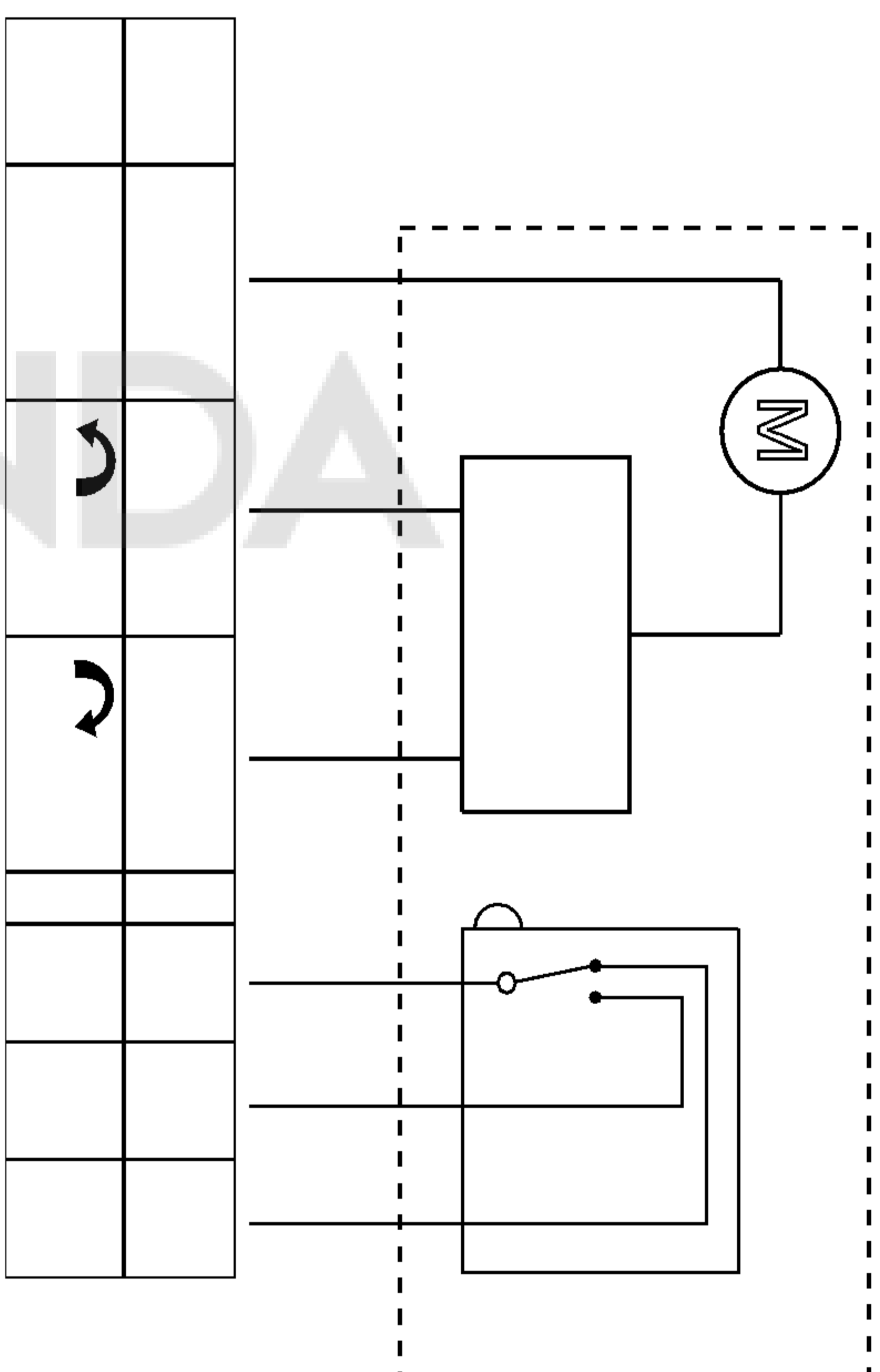
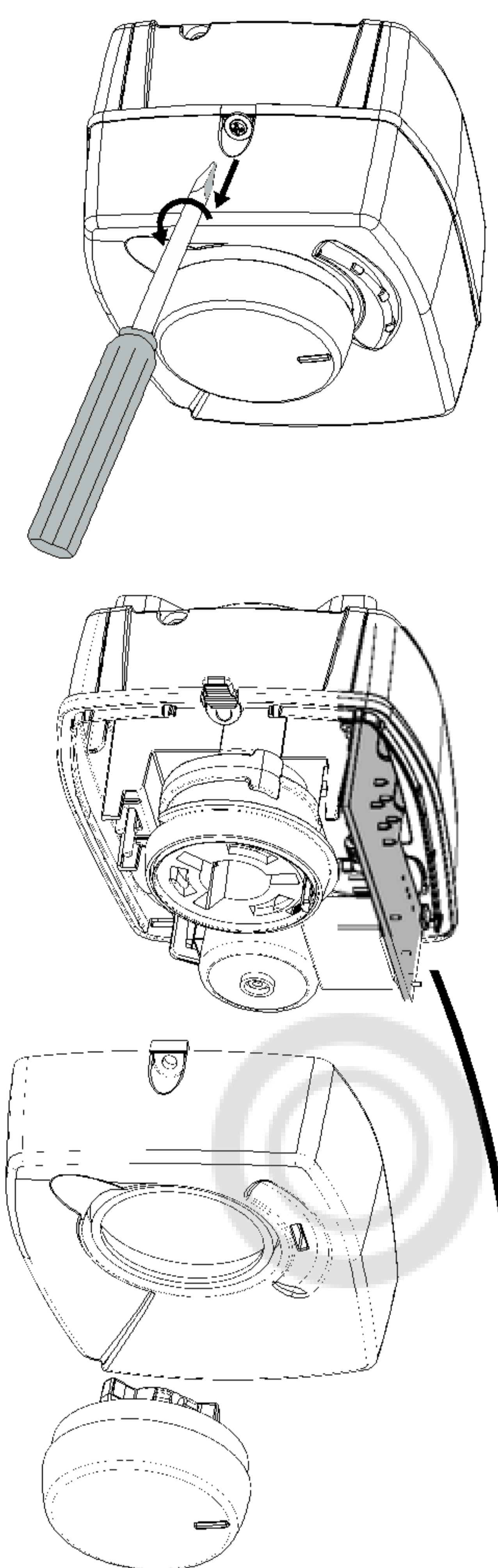
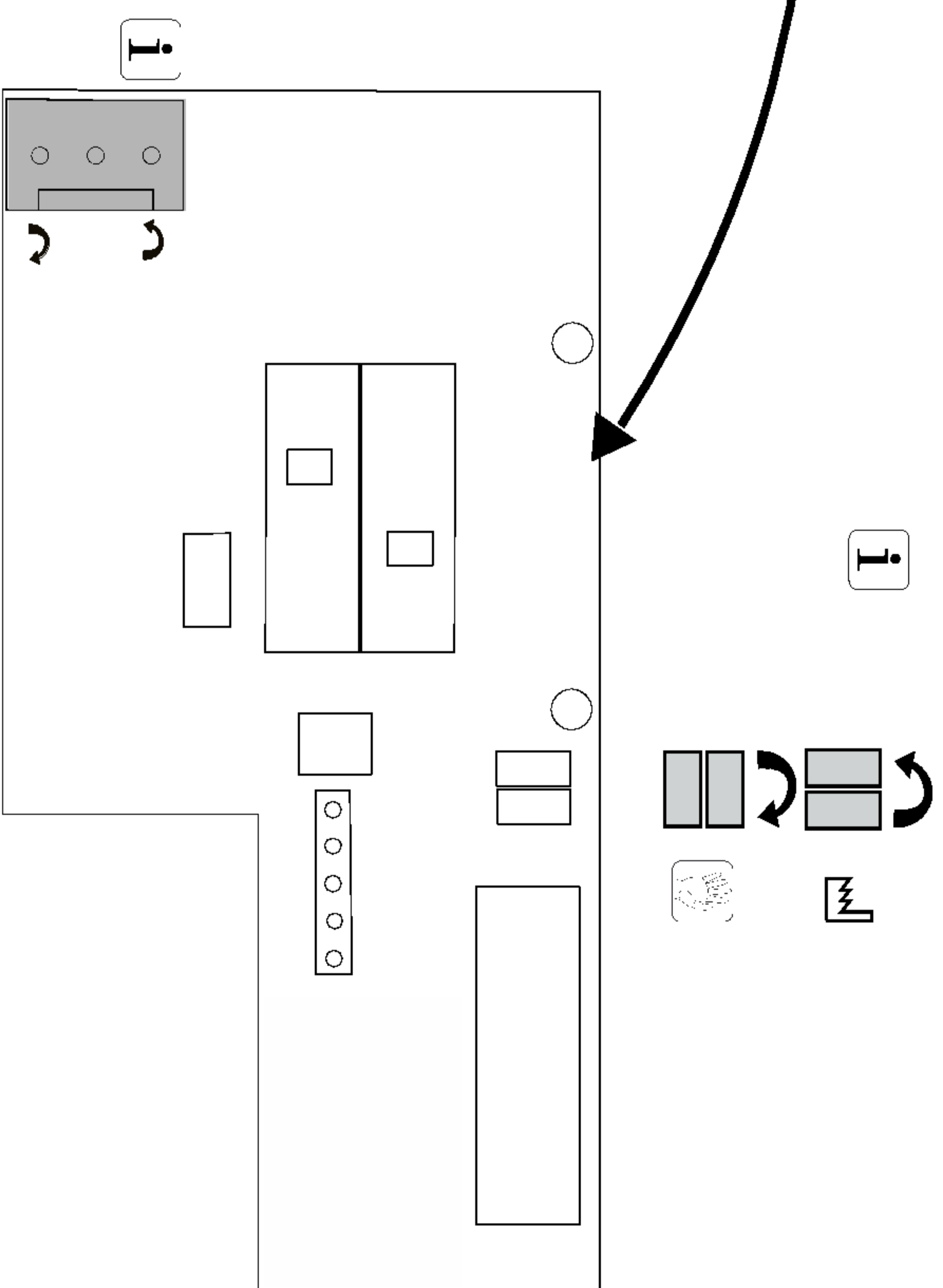


BIV, T, TI





LUNDA



© LUNDA