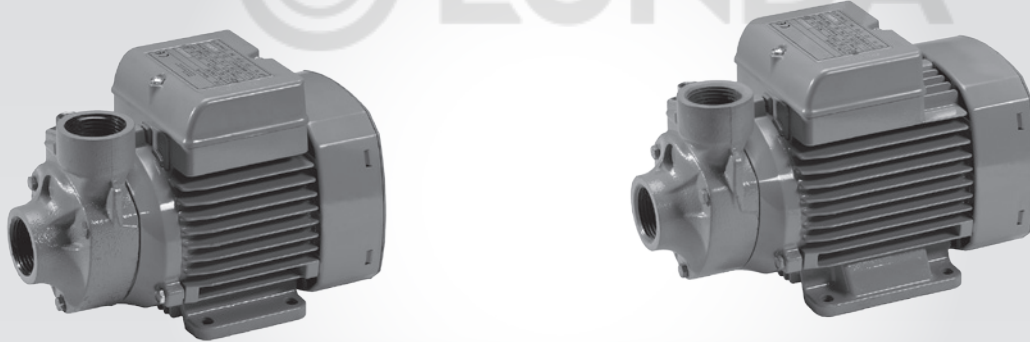


## Wilo-HiPeri 1-4/5

© LUNDA



**en** Installation and operating instructions  
**fr** Notice de montage et de mise en service

**ru** Инструкция по монтажу и эксплуатации  
**ar** تشغيل وتركيب واليات املعز

Fig. 1

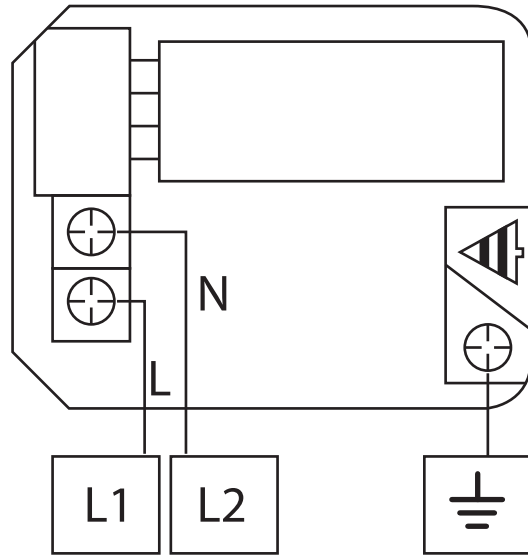


Fig. 2

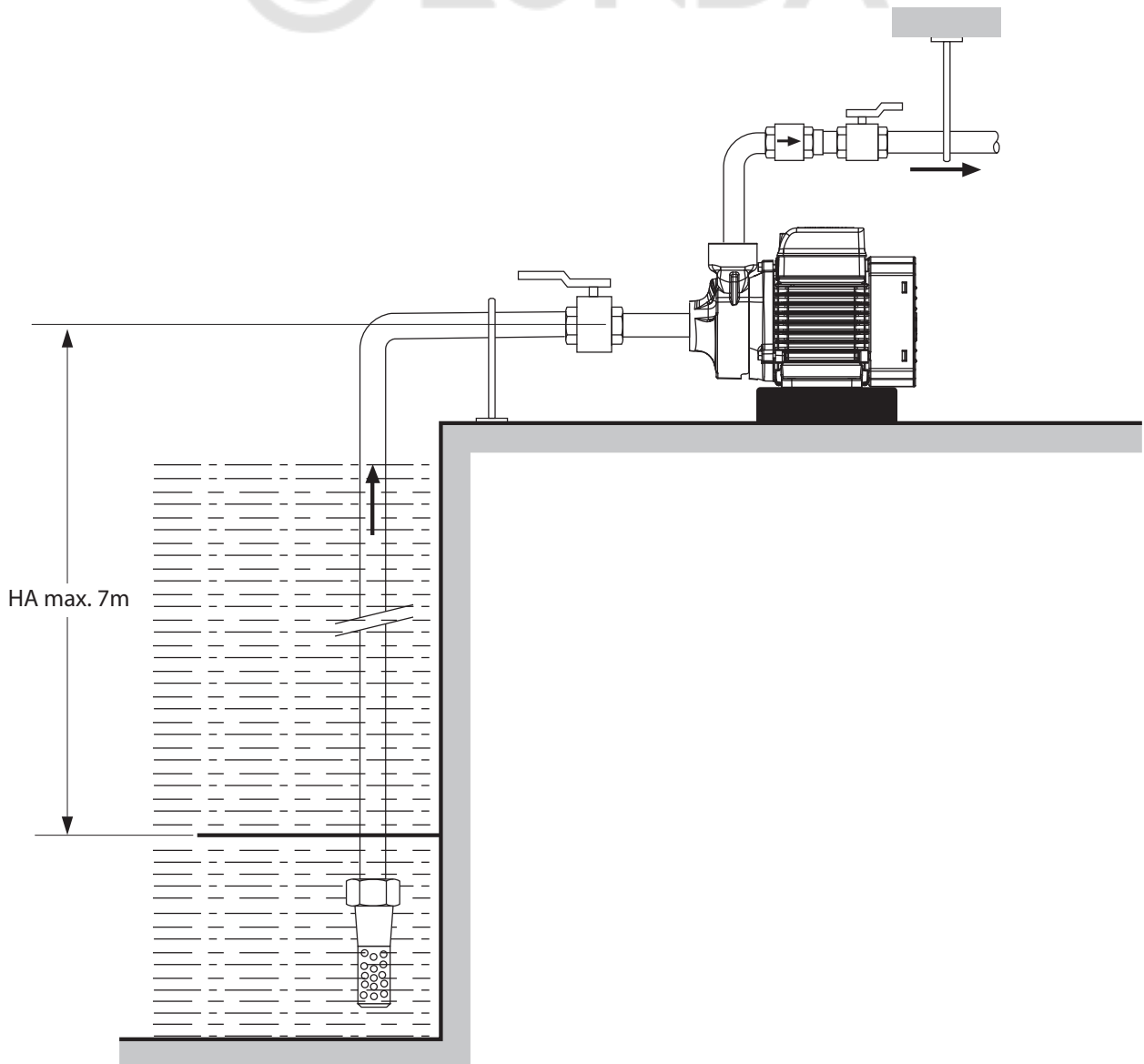


Fig. 3

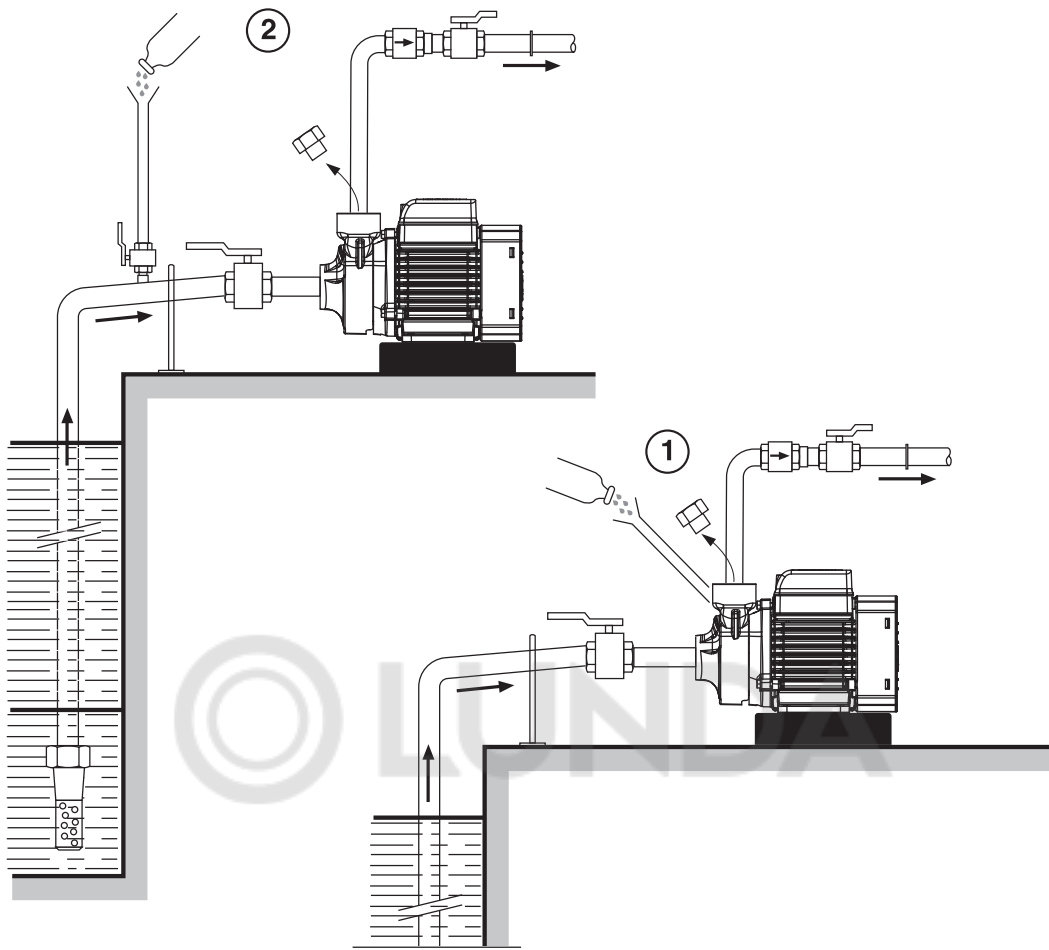


Fig. 4

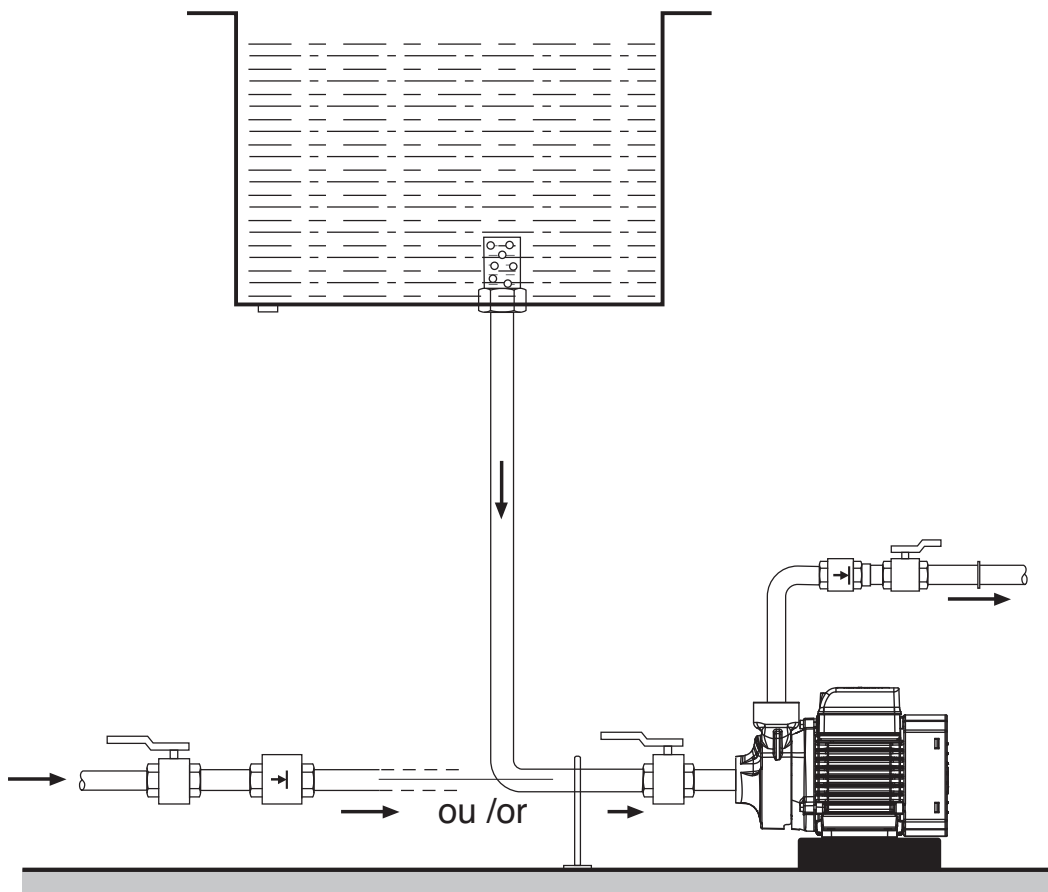
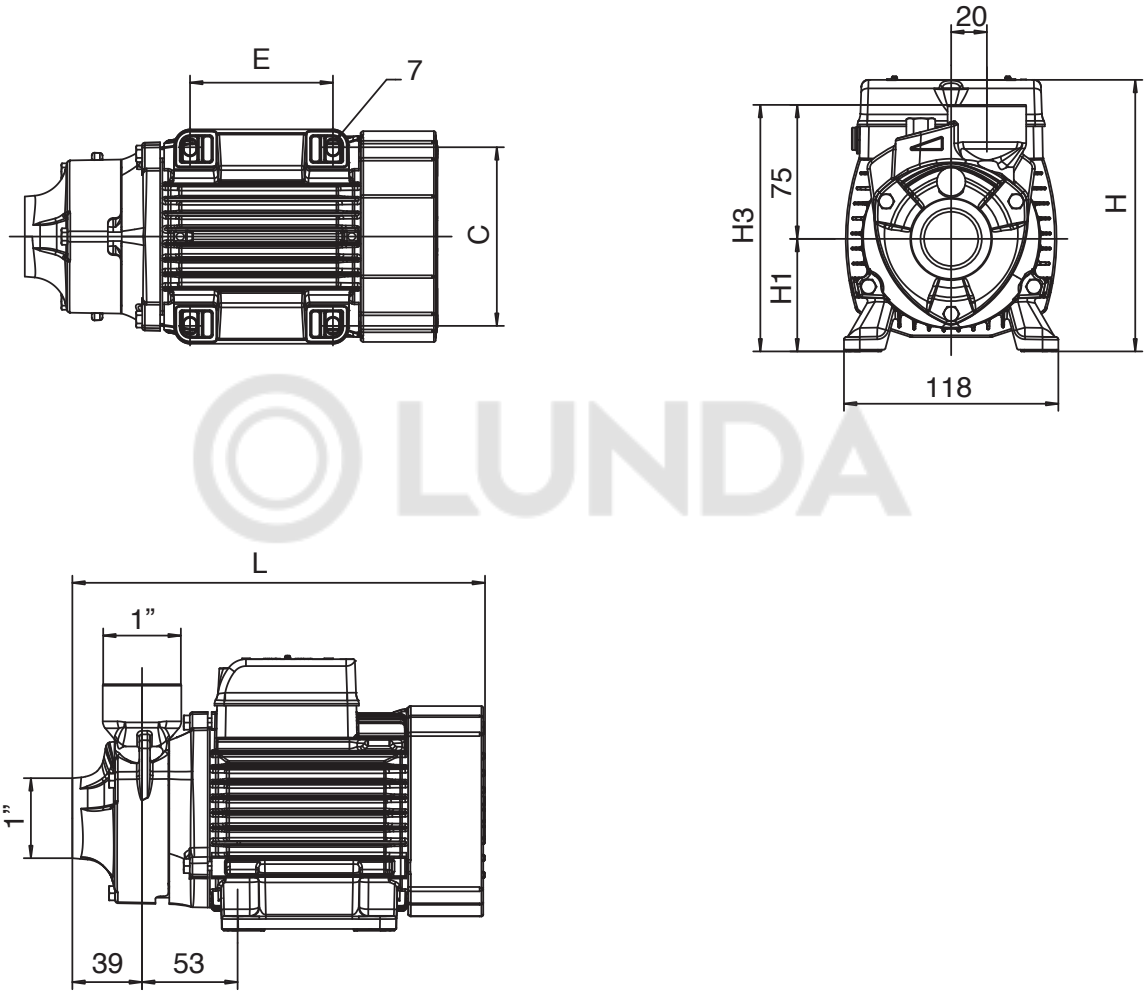


Fig. 5



Type	C	E	L	H	H1	H3
HiPeri 1-4	96	55	207	145	56	131
HiPeri 1-5	100	80	232	152	63	138

<b>en</b>	Installation and operating instructions	6
<b>fr</b>	Notice de montage et de mise en service	12
<b>ru</b>	Инструкция по монтажу и эксплуатации	18
<b>ar</b>	لي غشتلاو بيكرتلا تاميلعت	26



## 1. General

### 1.1 About this document

The language of the original operating instructions is French. All other languages of these instructions are translations of the original operating instructions.

These installation and operating instructions are an integral part of the product. They must be kept readily available at the place where the product is installed. Strict adherence to these instructions is a precondition for the proper use and correct operation of the product.

These installation and operating instructions correspond to the relevant version of the product and the underlying safety standards valid at the time of going to print.

EC declaration of conformity:

A copy of the EC declaration of conformity is a component of these operating instructions.

If a technical modification is made on the designs named there without our agreement, this declaration loses its validity.

## 2. Safety

These installation and operating instructions contain important information which must be adhered to during installation, operation and maintenance. For this reason, these instructions must, without fail, be read by the service technician and the responsible specialist/operator before installation and commissioning.

It is not only the general safety instructions listed under the main point "safety" that must be adhered to but also the special safety instructions with danger symbols included under the following main points.

### 2.1 Symbols and signal words in the operating instructions

#### Symbols



General danger symbol



Danger due to electrical voltage



NOTE: ...

#### Signal words:

##### **DANGER!**

**Acutely dangerous situation.**

**Non-observance results in death or the most serious of injuries.**

##### **WARNING!**

**The user can suffer (serious) injuries. 'Warning' implies that (serious) injury to persons is probable if this information is disregarded.**

##### **ATTENTION!**

**There is a risk of damaging the product/unit. 'Attention' implies that damage to the product is likely if this information is disregarded.**

#### NOTE:

Useful information on handling the product.

It draws attention to possible problems.

Information that appears directly on the product, such as

- Direction of rotation arrow
  - Marks identifying connections
  - Rating plate
  - Warning stickers
- must be strictly complied with and kept in legible condition.

### 2.2 Personnel qualifications

The installation, operating and maintenance personnel must have the appropriate qualifications for this work. Area of responsibility, terms of reference and monitoring of the personnel are to be ensured by the operator. If the personnel are not in possession of the necessary knowledge, they are to be trained and instructed. This can be accomplished if necessary by the manufacturer of the product at the request of the operator.

### 2.3 Danger in the event of non-observance of the safety instructions

Non-observance of the safety instructions can result in risk of injury to persons and damage to the environment and the product/unit. Non-observance of the safety instructions results in the loss of any claims to damages. In detail, non-observance can, for example, result in the following risks:

- Danger to persons due to electrical, mechanical and bacteriological factors
- Damage to the environment due to leakage of hazardous materials
- Property damage
- Failure of important product/unit functions
- Failure of required maintenance and repair procedures

### 2.4 Safety consciousness on the job

The existing directives for accident prevention must be adhered to.

Danger from electrical current must be eliminated. Local directives or general directives [e.g. IEC, VDE etc.] and instructions from local energy supply companies must be adhered to.

### 2.5 Safety instructions for the operator

This appliance is not intended for use by persons (including children) with reduced physical, sensory or mental capabilities, or lack of experience and knowledge, unless they have been given supervision or instruction concerning use of the appliance by a person responsible for their safety.

Children should be supervised to ensure that they do not play with the appliance.

- If hot or cold components on the product/the unit lead to hazards, local measures must be taken to guard them against touching.
- Guards which protect personnel from coming into contact with moving components (e.g. the

coupling) must not be removed while the product is in operation.

- Leakages (e.g. from the shaft seals) of hazardous fluids (which are explosive, toxic or hot) must be led away so that no danger to persons or to the environment arises. National statutory provisions are to be complied with.
- Danger from electrical current must be eliminated. Local directives or general directives [e.g. IEC, VDE etc.] and instructions from local energy supply companies must be adhered to.

## 2.6 Safety instructions for installation and maintenance work

The operator must ensure that all maintenance and installation work is carried out by authorised and qualified personnel, who are sufficiently informed from their own detailed study of the installation and operating instructions. Work on the product/unit must only be carried out when at a standstill. It is mandatory that the procedure described in the installation and operating instructions for shutting down the product/unit be complied with.

Immediately on conclusion of the work, all safety and protective devices must be put back in position and/or recommissioned.

## 2.7 Unauthorised modification and manufacture of spare parts

Unauthorised modification and manufacture of spare parts will impair the safety of the product/personnel and will make void the manufacturer's declarations regarding safety. Modifications to the product are only permissible after consultation with the manufacturer.

Original spare parts and accessories authorised by the manufacturer ensure safety. The use of other parts will absolve us of liability for consequential events.

## 2.8 Improper use

The operating safety of the supplied product is only guaranteed for conventional use in accordance with Section 4 of the operating instructions. The limit values must on no account fall under or exceed those values specified in the catalogue/data sheet.

## 3. Transport and intermediate storage

When you receive the equipment, check that it has not been damaged during transport. If damage has occurred during shipping, take all necessary action with the carrier within the time allowed.



**ATTENTION! Storage environment may cause damage.**

If the equipment is to be installed at a later date, store it in a dry place and protect it from impacts and any external stresses (humidity, frost etc.).

Handle the pump with care so as not to damage the product before installation.

## 4. Application

The basic function of the pump is to pump clean water which does not contain settling sediment.



**DANGER! Risk of explosion!**

Do not use this pump to convey flammable or explosive liquids.

## 5. Technical data

### 5.1 Data table

Hydraulic data	
Maximum operating pressure	6.5 bar (0.65 MPa)
Maximum suction pressure	1.5 bar (0.15 MPa)
Maximum delivery head	See motor plate
Temperature range	
Maximum fluid temperature	+60 °C
Ambient temperature	+40 °C
Electrical data	
Motor protection rating	IP X4
Insulation class	155
Frequency	See motor plate
Voltage	

### 5.2 Scope of delivery

- Single-stage displacement pump with radial impeller.
- Operating manual.

## 6. Description and function

- The HiPeri pumps are single-stage displacement pumps with a radial impeller.
- The ports are threaded with an axial suction connection and a radial pressure connection pointing upwards.

## 7. Installation and electrical connection

All installation and electrical connection work must be carried out solely by authorised and qualified personnel, in accordance with applicable regulations.



### WARNING! Physical injuries!

The applicable regulations for the prevention of accidents must be complied with.



### WARNING! Risk of electric shock!

Danger from electric current must be eliminated.

### 7.1 Upon receipt of the product

- Unpack the pump and recycle or dispose of the packaging in an environmentally responsible manner.

### 7.2 Installation

- The pump must be installed in a dry, well-ventilated location free of frost.



### ATTENTION! Risk of damage to the pump!

The presence of foreign matter or impurities in the pump housing may affect the functioning of the product.

- We recommend carrying out all soldering and brazing work before installing the pump.
- Rinse the circuit completely before installing and commissioning the pump.
- Remove the blanking caps on the pump housing before installation.
- The pump must be installed in a place easy to access for the purposes of inspection or replacement.
- Secure the pump through 2 slotted holes on the pedestal bearing (for  $\varnothing$  M5 fasteners) (Fig. 5)



### WARNING! Risk of accident due to hot surfaces!

The pump must be installed in such a way that no one can touch the hot surfaces of the product when it is in operation.

- Install the pump in a horizontal position, on a flat concrete surface, using the appropriate accessories.



NOTE: As the pump may have been tested in the factory, there may be some residual water in the product. We recommend rinsing the pump.

### 7.3 Connection to mains

- We recommend installing gate valves on the suction and pressure sides of the pump. (Fig. 3)
- The pipe cross-section must be at least equal to the diameter of the suction port on the pump housing.
- A non-return valve can be placed at the pressure connection to protect the pump from water hammer.
- If connected directly to the public potable water mains, the suction pipe socket must also be fitted with a non-return valve and a stop valve. (Fig. 2)
- If connected indirectly via a tank, the suction pipe socket must be fitted with a suction strainer

to stop impurities from entering the pump, and a non-return valve.

### 7.4 Electrical connection



### ATTENTION! Risk of electric shock!

Danger from electrical current must be eliminated.

- Have all electrical work carried out by a qualified electrician only!
- Before any electrical connection is made, the pump must be de-energised (switched off) and protected against unauthorised restarting.
- To ensure safe installation and operation, the unit must be earthed correctly with the earth terminals of the power supply.
- Check that the nominal current, the voltage and the frequency correspond to the information on the motor's rating plate.
- The pump must be connected to the network via a rigid cable with male connector or a power isolator.  
Use a cable conforming with applicable standards (3 cores: 2 phases + earth):  
H05RN-F 3 G 1.5 minimum  
H05RN-F 3 G 2.5 maximum
- The connecting cable should be routed so that it never comes in contact with the water main and/or the pump housing and motor housing.
- The pump/unit should be earthed in accordance with the local regulations. A residual current device may be used for additional protection.
- Unscrew the cap of the terminal box.
- Remove the cap.
- Turn the threaded cable connection the other way around.
- Connect to the power supply. The connection to the power supply must follow the connection diagram (Fig. 1).
- Put the cap back on the terminal box.
- Screw the cap firmly in place on the terminal box.

## 8. Commissioning

### 8.1 Priming (Fig. 4)



**ATTENTION! Risk of damage to the pump.**

Never operate the pump dry.  
The system must be filled before starting the pump.

- Remove the priming plug.
- Fill the pump and the suction pipe with water.
- Ensure that there is no air in the pump or in the suction pipe: they must be filled such that all air is expelled.
- Re-insert the priming plug.

### 8.2 Starting



**ATTENTION!** The pump must not operate at zero flow (discharge valve closed).

- Switch on power to the pump so that it starts.
- Check that the fan is turning clockwise.

## 9. Maintenance and repair

**All maintenance work must be carried out by authorised and qualified personnel.**



**WARNING! Risk of electric shock!**

Before any electrical work, the pump must be de-energised (switched off) and protected against unauthorised restarting.

- No special maintenance required during operation.
- Keep the pump clean.
- If the pump is not used for a long period or during periods of freezing temperatures, it should be drained to prevent any damage: empty the pump completely, rinse with clean water and store in a dry place.

## 10. Faults, causes and remedies



### **WARNING! Risk of electric shock!**

Before any electrical work, the pump must be de-energised (switched off) and protected against unauthorised restarting.

Faults	Causes	Remedies
The pump is not functioning	No electrical power supply	Check the fusible cut-outs, the wiring and the connections
	The motor protection device has cut off the power	Eliminate any motor overload
The pump is functioning but is failing to reach its duty point	Incorrect direction of rotation	Check the direction of rotation and correct it if necessary
	Foreign matter in the pump	Check and clean the pump
	Air in the suction pipe socket	Make the suction pipe socket air-tight
	Suction pipe socket too narrow	Install a wider suction pipe socket
	The valve is not open far enough	Open the valve completely
	The voltage of the power supply to the pump is too low	Check that the voltage at the motor terminals and the cross-section of the conductors are correct
	The foot valve is not immersed	Immerse the foot valve (at least 50 cm). Ballast the flexible hose piping if necessary
The output of the pump is irregular	The negative suction head (HA) is not as required	Review the installation conditions and the recommendations made in this manual
	The diameter of the suction piping is less than that of the pump	The suction piping must have the same diameter as the suction port on the pump
	The foot valve and the suction piping are partially obstructed	Dismantle and clean
The pump is vibrating or is noisy	Foreign matter in the pump	Remove the foreign matter
	The pump is not firmly secured to the ground	Tighten the anchor screws
	Bearing damaged	Contact Wilo Customer Service
The motor is overheating The motor protection engages	A phase is interrupted	Check the fusible cut-outs, the wiring and the connections
	Ambient temperature too high	Provide cooling
	Insufficient voltage	Check the voltage at the motor terminals; it should be within $\pm 10\%$ of the rated voltage
	Pump obstructed by foreign matter	Dismantle the pump and clean it
The mechanical seal is leaking	The mechanical seal is faulty	Replace the mechanical seal

**If you cannot remedy the fault, please contact Wilo Customer Service.**

## 11. Spare parts

All spare parts should be ordered directly from Wilo Customer Service.

To prevent errors, always quote the data on the pump's rating plate when making an order.

The spare parts catalogue is available at: [www.wilo.com](http://www.wilo.com).

## 12. Disposal

### Information on the collection of used electrical and electronic products

Proper disposal and appropriate recycling of this product prevents damage to the environment and dangers to your personal health.



#### **NOTICE: Disposal in domestic waste is forbidden !**

In the European Union, this symbol can appear on the product, the packaging or the accompanying documentation. It means that the electrical and electronic products in question must not be disposed of along with domestic waste.

To ensure proper handling, recycling and disposal of the used products in question, please note the following points:

- Only hand over these products at designated, certified collecting points.
- Observe the locally applicable regulations! Please consult your local municipality, the nearest waste disposal site, or the dealer who sold the product to you for information on proper disposal. For further information on recycling, go to [www.wilo-recycling.com](http://www.wilo-recycling.com).

**Subject to technical modifications.**

## 1. Généralités

### 1.1 À propos de ce document

La langue de la notice de montage et de mise en service d'origine est le français. Toutes les autres langues de la présente notice sont une traduction de la notice de montage et de mise en service d'origine.

La notice de montage et de mise en service fait partie intégrante du matériel et doit être disponible en permanence à proximité du produit. Le strict respect de ces instructions est une condition nécessaire à l'installation et à l'utilisation conformes du produit.

La rédaction de la notice de montage et de mise en service correspond à la version du produit et aux normes de sécurité en vigueur à la date de son impression.

Déclaration de conformité CE :

Une copie de la déclaration de conformité CE fait partie intégrante de la présente notice de montage et de mise en service.

Si les gammes mentionnées dans la présente notice sont modifiées sans notre approbation, cette déclaration perdra sa validité.

## 2. Sécurité

Cette notice de montage et de mise en service renferme des remarques essentielles qui doivent être respectées lors du montage, du fonctionnement et de l'entretien. Ainsi, il est indispensable que l'installateur et le personnel qualifié/l'opérateur du produit en prennent connaissance avant de procéder au montage et à la mise en service.

Les consignes à respecter ne sont pas uniquement celles de sécurité générale de ce chapitre, mais aussi celles de sécurité particulière qui figurent dans les chapitres suivants, accompagnées d'un symbole de danger.

### 2.1 Signalisation des consignes de la notice

#### Symboles



Symbole général de danger



Consignes relatives aux risques électriques



REMARQUE : ...

#### Signaux :

##### **DANGER !**

**Situation extrêmement dangereuse.**

**Le non-respect entraîne la mort ou des blessures graves.**

##### **AVERTISSEMENT !**

**L'utilisateur peut souffrir de blessures (graves). « Avertissement » implique que des dommages corporels (graves) sont vraisemblables lorsque la consigne n'est pas respectée.**

##### **ATTENTION !**

**Il existe un risque d'endommager le produit/l'installation. « Attention » signale une**

**consigne dont la non-observation peut engendrer un dommage pour le matériel et son fonctionnement.**

#### REMARQUE :

Remarque utile sur le maniement du produit. Elle fait remarquer les difficultés éventuelles.

Les indications directement appliquées sur le produit comme p. ex.

- les flèches indiquant le sens de rotation
  - le marquage des raccords,
  - la plaque signalétique
  - les autocollants d'avertissement
- doivent être impérativement respectées et maintenues dans un état bien lisible.

### 2.2 Qualification du personnel

Il convient de veiller à la qualification du personnel amené à réaliser le montage, l'utilisation et l'entretien. L'opérateur doit assurer le domaine de responsabilité, la compétence et la surveillance du personnel. Si le personnel ne dispose pas des connaissances requises, il doit alors être formé et instruit en conséquence. Cette formation peut être dispensée, si nécessaire, par le fabricant du produit pour le compte de l'opérateur.

### 2.3 Dangers encourus en cas de non-observation des consignes

La non-observation des consignes de sécurité peut constituer un danger pour les personnes, l'environnement et le produit/l'installation. Elle entraîne également la suspension de tout recours en garantie. Plus précisément, les dangers peuvent être les suivants :

- dangers pour les personnes par influences électriques, mécaniques ou bactériologiques.
- dangers pour l'environnement par fuite de matières dangereuses.
- dommages matériels.
- défaillance de fonctions importantes du produit ou de l'installation.
- défaillance du processus d'entretien et de réparation prescrit.

### 2.4 Travaux dans le respect de la sécurité

Il convient d'observer les consignes en vue d'exclure tout risque d'accident.

Il y a également lieu d'exclure tout danger lié à l'énergie électrique. On se conformera aux dispositions de la réglementation locale ou générale [IEC, VDE, etc.], ainsi qu'aux prescriptions de l'entreprise qui fournit l'énergie électrique.

### 2.5 Consignes de sécurité pour l'utilisateur

Cet appareil n'est pas prévu pour être utilisé par des personnes (y compris des enfants) dont les capacités physiques, sensorielles ou mentales sont réduites, ou des personnes dénuées d'expérience ou de connaissance, sauf si elles ont pu bénéficier, par l'intermédiaire d'une personne responsable de leur sécurité, d'une surveillance ou d'instructions préalables concernant l'utilisation de l'appareil.

Il convient de surveiller les enfants pour s'assurer qu'ils ne jouent pas avec l'appareil.

- Si des composants chauds ou froids induisent des dangers sur le produit ou l'installation, il incombe alors au client de protéger ces composants afin d'éviter tout contact.
- Une protection de contact pour des composants en mouvement (p. ex. accouplement) ne doit pas être retirée du produit en fonctionnement.
- Des fuites (p. ex. joint d'arbre) de fluides véhiculés dangereux (p. ex. explosifs, toxiques, chauds) doivent être éliminées de telle façon qu'il n'y ait aucun risque pour les personnes et l'environnement. Les dispositions nationales légales doivent être respectées.
- Il y a également lieu d'exclure tout danger lié à l'énergie électrique. On se conformera aux dispositions de la réglementation locale ou générale [IEC, VDE, etc.], ainsi qu'aux prescriptions de l'entreprise qui fournit l'énergie électrique.

**2.6 Consignes de sécurité pour les travaux de montage et d'entretien**

L'opérateur est tenu de veiller à ce que tous les travaux d'entretien et de montage soient effectués par du personnel agréé et qualifié suffisamment informé, suite à l'étude minutieuse de la notice de montage et de mise en service. Les travaux réalisés sur le produit ou l'installation ne doivent avoir lieu que si les appareillages correspondants sont à l'arrêt. Les procédures décrites dans la notice de montage et de mise en service pour l'arrêt du produit/de l'installation doivent être impérativement respectées.

Tous les dispositifs de sécurité et de protection doivent être remis en place et en service immédiatement après l'achèvement des travaux.

**2.7 Modification du matériel et utilisation de pièces détachées non agréées**

La modification du matériel et l'utilisation de pièces détachées non agréées compromettent la sécurité du produit/du personnel et rendent caduques les explications données par le fabricant concernant la sécurité. Toute modification du produit ne peut être effectuée que moyennant l'autorisation préalable du fabricant.

L'utilisation de pièces détachées d'origine et d'accessoires autorisés par le fabricant garantit la sécurité. L'utilisation d'autres pièces dégage la société de toute responsabilité.

**2.8 Modes d'utilisation non autorisés**

La sécurité de fonctionnement du produit livré n'est garantie que si les prescriptions précisées au chap. 4 de la notice de montage et de mise en service sont respectées. Les valeurs indiquées dans le catalogue ou la fiche technique ne doivent en aucun cas être dépassées, tant en maximum qu'en minimum.

**3. Transport et stockage intermédiaire**

Lors de la réception du matériel, vérifier qu'il n'y a eu d'avarie pendant le transport. Si il y a eu avarie pendant l'expédition, prendre toutes les mesures nécessaires avec le transporteur dans les temps impartis.



**ATTENTION ! L'environnement peut provoquer des dommages.**

Si le matériel livré doit être installé ultérieurement, le stocker dans un endroit sec et le protéger des chocs et de toute agression extérieure (humidité, gel, etc).

Manipuler la pompe avec soin de manière à ne pas endommager le produit avant l'installation.

**4. Application**

La fonction de base de la pompe est de pomper de l'eau claire, propre et sans particules solides.



**DANGER ! Risque d'explosion !**

Ne pas utiliser cette pompe pour véhiculer des liquides inflammables ou explosifs.

**5. Caractéristiques techniques**

**5.1 Tableau de données**

Données hydrauliques	
Pression maximum de service	6,5 bar (0,65 MPa)
Pression maximum à l'aspiration	1,5 bar (0,15 MPa)
Hauteur manométrique maximale	Voir placage moteur
Plage de température	
Température maximum du fluide	+60°C
Température ambiante	+40 °C
Données électriques	
Indice de protection moteur	IP X4
Classe d'isolation	155
Fréquence	Voir placage moteur
Tension électrique	

**5.2 Fourniture livrée**

- Pompe volumétrique monocellulaire à roue radiale.
- Notice de mise en service.

**6. Description et fonction**

- Les pompes HiPeri sont des pompes volumétriques monocellulaires à roue radiale.
- Les orifices sont taraudés avec une aspiration axiale et un refoulement radial vers le haut.

## 7. Installation et raccordement électrique

**Conformément aux prescriptions en vigueur, l'installation et le raccordement électrique doivent être assurés exclusivement par du personnel agréé !**



### **AVERTISSEMENT ! Blessures corporelles !**

La réglementation en vigueur régissant la prévention des accidents doit être respectée.



### **AVERTISSEMENT ! Risque de choc électrique !**

Les dangers provoqués par l'énergie électrique doivent être écartés.

### 7.1 Réception du produit

- Déballer la pompe et retraiter l'emballage en veillant au respect de l'environnement.

### 7.2 Installation

- La pompe doit être installée dans un endroit sec, bien aéré et sans givre.



### **ATTENTION ! Risque de détérioration de la pompe !**

La présence de corps étrangers ou d'impuretés dans le corps de pompe peut affecter le fonctionnement du produit.

- Il est recommandé d'effectuer toutes les opérations de soudage et de brasage avant d'installer la pompe
- Effectuer un rinçage complet du circuit avant d'installer et de mettre en service la pompe.
- Retirer les obturateurs du corps de pompe avant l'installation.
- La pompe doit être installée dans un endroit facilement accessible pour en faciliter l'inspection ou le remplacement.
- Fixation de la pompe à l'aide de 4 trous oblongs situés sur le palier support (visserie  $\varnothing$  M5) (Fig. 5).



### **AVERTISSEMENT ! Risque d'accident dû à des surfaces chaudes !**

La pompe doit être installée de telle façon que personne ne puisse toucher les surfaces chaudes du produit pendant son fonctionnement.

- Installer la pompe à l'horizontal, sur une surface plane en béton en utilisant les accessoires appropriés.



**REMARQUE :** La pompe pouvant être testée en usine, de l'eau peut rester dans le produit. Il est recommandé de rincer la pompe.

### 7.3 Raccordement au réseau

- Il est recommandé d'installer les vannes d'isolement côté aspiration et refoulement de la pompe. (Fig. 3)
- La section de la tuyauterie doit être au moins égale au diamètre du corps de pompe à l'aspiration.
- Un clapet anti-retour peut être placé au refoulement afin de protéger la pompe d'éventuels coups de bélier.

- En cas de raccordement direct au réseau public d'eau potable, la tubulure d'aspiration doit également être pourvue d'un clapet anti-retour et d'une vanne d'arrêt. (Fig. 2)
- En cas de raccordement indirect via un réservoir, la tubulure d'aspiration doit être équipée d'une crépine d'aspiration afin d'éviter que les impuretés n'aboutissent dans la pompe et d'un clapet anti-retour.

### 7.4 Raccordement électrique



#### **ATTENTION ! Risque de choc électrique !**

Il y a lieu d'exclure tous dangers liés à l'énergie électrique.

- Travaux électriques à faire réaliser uniquement par un électricien qualifié!
- Avant d'effectuer les raccordements électriques, la pompe doit être mise hors tension et protégée contre les redémarrages non autorisés.
- Pour garantir la sécurité d'installation et de fonctionnement, il est nécessaire de réaliser une mise à la terre correcte avec les bornes de terre de l'alimentation électrique.
- Vérifier que l'intensité nominale, la tension et la fréquence utilisées correspondent aux informations plaquées sur le moteur.
- La pompe doit être raccordée au réseau au moyen d'un câble rigide équipé d'un connecteur mâle ou d'un sectionneur d'alimentation. Utiliser un câble conforme (3 conducteurs : 2 phases + terre) aux normes en vigueur :  
H05RN-F 3 G 1,5 minimum  
H05RN-F 3 G 2,5 maximum
- Le câble de raccordement doit être placé de façon à ne jamais entrer en contact avec la canalisation principale et/ou le corps de pompe et la carcasse moteur.
- La pompe/installation doit être mise à la terre conformément aux réglementations locales. Un disjoncteur de fuite à la terre peut servir de protection supplémentaire.
- Dévisser le capot de la boîte à borne.
- Retirer le capot.
- Inverser la position du presse étoupe.
- Raccorder au réseau. Le raccordement au réseau doit être conforme au plan de raccordement (Fig. 1).
- Refermer le capot de la boîte à borne.
- Revisser le capot de la boîte à borne.

## 8. Mise en service

### 8.1 Remplissage (Fig. 4)



**ATTENTION ! Risque d'endommager la pompe.**

Ne faites jamais fonctionner la pompe à sec. Le système doit être rempli avant le démarrage de la pompe.

- Retirer le bouchon de remplissage.
- Remplir la pompe et la tuyauterie d'aspiration avec de l'eau.
- Assurez-vous qu'il n'y a pas d'air ni dans la pompe, ni dans la tuyauterie à l'aspiration : le remplissage complet jusqu'à l'évacuation totale de l'air est nécessaire.
- Fermer le bouchon de remplissage.

### 8.2 Démarrage



**ATTENTION !** La pompe ne doit pas fonctionner à débit nul (vanne de refoulement fermée).

- Mettre la pompe sous tension pour qu'elle démarre.
- vérifier que le ventilateur tourne dans le sens des aiguilles d'une montre.

## 9. Maintenance

**Tous les travaux d'entretien doivent être effectués par du personnel autorisé et qualifié!**



**AVERTISSEMENT ! Risque de choc électrique !**

Avant d'effectuer les travaux électriques, la pompe doit être mise hors tension et protégée contre les redémarrages non autorisés.

- Aucun entretien particulier en cours de fonctionnement.
- Maintenir la pompe en parfait état de propreté.
- Les pompes non utilisées durant une longue période ou durant les périodes de gel doivent être purgées afin d'éviter tout dommage: vider complètement, rincer avec de l'eau propre et entreposer dans un lieu sec.

## 10. Incidents, Causes et Remèdes



### AVERTISSEMENT ! Risque de choc électrique !

Avant d'effectuer les travaux électriques, la pompe doit être mise hors tension et protégée contre les redémarrages non autorisés.

Incidents	Causes	Remèdes
La pompe ne fonctionne pas	Pas d'alimentation de courant	Vérifier les fusibles, le câblage et les connexions
	Le dispositif de protection du moteur a assuré la mise hors tension	Éliminer toute surcharge du moteur
La pompe fonctionne mais n'atteint pas son point de fonctionnement	Mauvais sens de rotation	Vérifier le sens de rotation et le corriger si nécessaire
	Présence de corps étrangers	Vérifier et nettoyer la pompe
	Présence d'air dans la tubulure d'aspiration	Rendre étanche la tubulure d'aspiration
	Tubulure d'aspiration trop étroite	Installer une tubulure d'aspiration plus large
	La vanne n'est pas assez ouverte	Ouvrir la vanne complètement
	le moteur est alimenté à une tension insuffisante	Contrôler la tension aux bornes du moteur et la bonne section des conducteurs
	Le clapet de pied n'est pas immergé	Immerger le clapet de pied (mini 50 cm). Lester le tuyau souple si nécessaire
La pompe débite de façon irrégulière	La hauteur d'aspiration (HA) n'est pas respectée	Revoir les conditions d'installation et les recommandations décrites dans ce manuel
	La tuyauterie d'aspiration est d'un diamètre inférieur à celui de la pompe	La tuyauterie d'aspiration doit être de même diamètre que l'orifice d'aspiration pompe
	Le clapet de pied et la tuyauterie d'aspiration sont partiellement obstrués	Démonter et nettoyer
La pompe vibre ou est bruyante	Présence de corps étrangers dans la pompe	Retirer les corps étrangers
	La pompe n'est pas bien fixée au sol	Resserrer les vis d'ancrage
	Palier endommagé	Appeler le service après-vente WILO
Le moteur surchauffe La protection du moteur s'enclenche	Une phase est interrompue	Vérifier les fusibles, le câblage, les connexions
	Température ambiante trop élevée	Assurer le refroidissement
	Tension insuffisante	Vérifier la tension aux bornes du moteur, cette tension doit se situer à $\pm 10\%$ de la tension nominale
	Pompe obstruée par des corps étrangers	Démonter la pompe et nettoyer
La garniture mécanique fuit	La garniture mécanique est défectueuse	Remplacer la garniture mécanique

**S'il n'est pas possible de remédier à la panne, veuillez faire appel au service après-vente WILO.**

## 11. Pièces de rechange

Toutes les pièces de rechange doivent être commandées directement auprès du service après-vente WILO.

Afin d'éviter des erreurs, veuillez spécifier les données figurant sur la plaque signalétique de la pompe lors de toute commande.

La catalogue de pièces détachées est disponible à l'adresse : [www.wilo.com](http://www.wilo.com).

## 12. Elimination

### Informations sur la collecte des produits électriques et électroniques usagés.

L'élimination correcte et le recyclage conforme de ce produit permettent de prévenir les dommages environnementaux et toute atteinte à la santé.



### **AVIS : Élimination interdite par le biais des ordures ménagères !**

Dans l'Union européenne, ce symbole peut apparaître sur le produit, l'emballage ou les documents d'accompagnement. Il signifie que les produits électriques et électroniques concernés ne doivent pas être éliminés avec les ordures ménagères.

Pour un traitement, un recyclage et une élimination corrects des produits en fin de vie concernés, tenir compte des points suivants :

- Remettre ces produits uniquement aux centres de collecte certifiés prévus à cet effet.
- Respecter les prescriptions locales en vigueur ! Pour des informations sur l'élimination correcte, s'adresser à la municipalité locale, au centre de traitement des déchets le plus proche ou au revendeur auprès duquel le produit a été acheté. Pour davantage d'informations sur le recyclage, consulter [www.wilorecycling.com](http://www.wilorecycling.com).

**Sujet à modifications techniques !**

## 1. Общая информация

### 1.1 Об этом документе

Оригинал инструкции по монтажу и эксплуатации составлен на французском языке. Все остальные языки настоящей инструкции являются переводом оригинальной инструкции.

Инструкция по монтажу и эксплуатации является неотъемлемой частью устройства. Поэтому ее всегда следует держать рядом с устройством. Точное соблюдение данной инструкции является обязательным условием использования устройства по назначению и его правильной работы.

Данная инструкция по монтажу и эксплуатации соответствует исполнению устройства и базовым нормам техники безопасности, действующим на момент сдачи в печать.

Декларация о соответствии директивам ЕС: Копия декларации о соответствии директивам ЕС является частью настоящей инструкции по монтажу и эксплуатации.

При внесении технических изменений в указанную в декларации конструкцию без согласования с производителем декларация теряет силу.

## 2. Техника безопасности

Данная инструкция по монтажу и эксплуатации содержит важные указания, которые необходимо соблюдать при монтаже, эксплуатации и техническом обслуживании. Поэтому перед монтажом и вводом в эксплуатацию ее обязательно должны прочитать специалисты по обслуживанию оборудования, а также ответственные специалисты/пользователи.

Необходимо не только соблюдать общие рекомендации по технике безопасности, приведенные в данном разделе, но и специальные рекомендации по технике безопасности.

### 2.1 Символы и сигнальные слова, используемые в настоящей инструкции

#### Символы



Общий символ опасности



Опасность поражения электрическим током



УКАЗАНИЕ: ...

#### Сигнальные слова:

#### ОПАСНО!

Чрезвычайно опасная ситуация.

Несоблюдение приводит к смерти или тяжелым травмам.

#### ОСТОРОЖНО!

Пользователь может получить (тяжелые) травмы. Символ «ОСТОРОЖНО» указывает на вероятность получения (тяжелых) травм при несоблюдении указания.

#### ВНИМАНИЕ!

Существует опасность повреждения изделия/установки. Предупреждение «ВНИМАНИЕ» относится к возможным повреждениям изделия при несоблюдении указаний.

#### УКАЗАНИЕ:

Полезное указание по использованию изделия.

Оно также указывает на возможные сложности.

Указания, размещенные непосредственно на изделии, например:

- стрелка направления вращения,
- метки, идентифицирующие соединения,
- фирменная табличка,
- предупреждающие наклейки являются обязательными к выполнению, их необходимо поддерживать в читабельном состоянии.

### 2.2 Квалификация персонала

Персонал, выполняющий монтаж, управление и техническое обслуживание, должен иметь соответствующую квалификацию для выполнения работ. Сферы ответственности, обязанности и контроль персонала регламентируются пользователем. Если персонал не обладает необходимыми знаниями, следует обеспечить его обучение и инструктаж. При необходимости пользователь может поручить это производителю изделия.

### 2.3 Опасности при несоблюдении рекомендаций по технике безопасности

Несоблюдение рекомендаций по технике безопасности может привести к травмированию людей, загрязнению окружающей среды и повреждению изделия/установки. Несоблюдение рекомендаций по технике безопасности может привести к потере права на предъявление претензий. В частности, несоблюдение указаний по технике безопасности может иметь следующие последствия:

- опасность электрических, механических и бактериологических воздействий на персонал
- загрязнение окружающей среды при утечках опасных материалов
- материальный ущерб
- отказ важных функций изделия/установки
- отказ предписанных технологий технического обслуживания и ремонтных работ

### 2.4 Выполнение работ с соблюдением техники безопасности

Необходимо соблюдать существующие предписания по предотвращению несчастных случаев.

Следует исключить риск поражения электрическим током. Следует соблюдать местные предписания и предписания общего применения [например, IEC, VDE и др.] и инструкции местных энергоснабжающих организаций.

## 2.5 Рекомендации по технике безопасности для пользователя

Лицам (включая детей) с физическими, сенсорными или психическими нарушениями, а также лицам, не обладающим достаточными знаниями/опытом, разрешено использовать данное устройство исключительно под контролем или наставлением лица, ответственного за безопасность вышеупомянутых лиц. Дети должны находиться под присмотром, чтобы они не играли с устройством.

- Необходимо обеспечить достаточное ограждение горячих или холодных компонентов изделия/установки, являющихся источником опасности, чтобы предотвратить вероятный контакт с ними.
- В процессе эксплуатации запрещено снимать ограждения, защищающие персонал от контакта с движущимися компонентами (например, муфтами).
- Утечки (например, через уплотнения вала) опасных перекачиваемых сред (например, взрывоопасных, токсичных, горячих) должны отводиться безопасно для персонала и окружающей среды. Необходимо соблюдать национальные нормативные требования.
- Следует исключить риск поражения электрическим током. Следует соблюдать местные предписания и предписания общего применения [например, IEC, VDE и др.] и инструкции местных энергопоставляющих организаций.

## 2.6 Рекомендации по технике безопасности при проведении монтажа и технического обслуживания

Пользователь должен учесть, что все работы по техническому обслуживанию и монтажу должны выполняться имеющим допуск квалифицированным персоналом, который должен внимательно изучить инструкцию по монтажу и эксплуатации. Работы разрешено выполнять только на изделии/установке, находящемся/находящейся в состоянии покоя. Необходимо обязательно соблюдать последовательность действий по остановке изделия/установки, приведенную в инструкции по монтажу и эксплуатации. Сразу по завершении работ все предохранительные и защитные устройства должны быть установлены на свои места и/или приведены в действие.

## 2.7 Самовольное изменение конструкции и изготовление запасных частей

Самовольное изменение конструкции и изготовление запасных частей нарушает безопасность изделия/персонала и является основанием для аннулирования деклараций производителя по безопасности. Внесение изменений в конструкцию изделия допускается только при согласовании с производителем. Фирменные запасные части и разрешенные изготовителем принадлежности гарантиру-

ют безопасность. При использовании других запасных частей изготовитель не несет ответственности за возможные последствия.

## 2.8 Недопустимые способы эксплуатации

Безопасная эксплуатация поставленного изделия гарантирована только при условии его применения по назначению в соответствии с разделом 4 инструкции по монтажу и эксплуатации. При эксплуатации строго запрещено выходить за рамки предельных значений, указанных в каталоге/паспорте изделия.

## 3. Транспортировка и промежуточное хранение

При получении изделия необходимо проверить его на отсутствие повреждений при транспортировке. В случае обнаружения повреждений, произошедших во время поставки, необходимо своевременно выполнить все предусмотренные действия с перевозчиком.



### ВНИМАНИЕ! Условия хранения могут стать причиной повреждений.

Если монтаж оборудования в ближайшее время не планируется, хранить его необходимо в сухом месте, защищенном от ударов и внешних воздействий (влага, мороз и т. д.).

При обращении с насосом соблюдать осторожность, чтобы не допустить его повреждений до монтажа!

## 4. Назначение

Основное назначение насоса — перекачивание чистой воды, не содержащей осаждающихся веществ.



### ОПАСНО! Опасность взрыва!

Не использовать данный насос для перекачивания горючих и взрывоопасных жидкостей.

## 5. Технические характеристики

### 5.1 Табличка с данными

Гидравлические характеристики	
Максимальное рабочее давление	6,5 бар (0,65 МПа)
Максимальное давление всасывания	1,5 бар (0,15 МПа)
Максимальный напор	См. табличку данных мотора
Температурный диапазон	
Максимальная допустимая температура перекачиваемой жидкости	+60° C
Температура окружающей среды	+40° C
Электрические характеристики	
Степень защиты мотора	IP X4
Класс изоляции	155
Частота	См. табличку данных мотора
Напряжение	

### 5.2 Объем поставки

- Одноступенчатый насос вытеснения с радиальным рабочим колесом.
- Руководство по эксплуатации.

## 6. Описание и функционирование

- Насосы HiPeg это одноступенчатые насосы вытеснения с радиальным рабочим колесом.
- Порты с резьбой под осевой впускной патрубком и радиальный напорный патрубок, направленный вверх.

## 7. Монтаж и электроподключение

Все работы по монтажу и электрическому подключению должны выполняться исключительно имеющим допуск квалифицированным персоналом в соответствии с требованиями местных норм и правил!



### ОСТОРОЖНО! Телесные повреждения!

Строго соблюдать действующие нормы по предотвращению аварий.



### ОСТОРОЖНО! Опасность поражения электрическим током!

Следует исключить риск поражения электрическим током.

### 7.1 По получении изделия

- Распаковать насос и утилизировать упаковку таким образом, чтобы не нанести вред окружающей среде.

### 7.2 Установка

- Насос должен быть установлен в сухом, хорошо проветриваемом месте, защищенном от низких температур.



### ВНИМАНИЕ! Опасность повреждения насоса!

Наличие инородных материалов или примесей в корпусе насоса может нарушить функционирование насоса.

- Мы рекомендуем выполнить все сварочные и паяльные работы до начала установки насоса.
- Полностью промойте контур перед установкой и вводом в эксплуатацию насоса.
- Перед установкой удалить все защитные пробки с корпуса насоса.
- Насос следует установить в легкодоступном месте, чтобы облегчить в будущем проведение осмотра или замены.
- Закрепить насос в двух отверстиях с пазом на корпусе опорного подшипника (для крепежных деталей Ø M5) (рис. 5).



### ОСТОРОЖНО! Опасность травмы, вызванной горячими поверхностями!

Насос должен быть установлен таким образом, чтобы исключить возможность прикосновения к горячим поверхностям при его работе.

- Установите насос в горизонтальном положении на ровном бетонном фундаменте, применяя соответствующие принадлежности.



УКАЗАНИЕ: Так как насосы проходят проверку на заводе, в изделии может находиться остаточная вода. Мы рекомендуем промыть насос.

### 7.3 Подключение к сети электропитания

- Мы рекомендуем установить запорные клапаны на сторонах всасывания и нагнетания насоса (рис. 3).
- Поперечное сечение трубы должно быть не меньше диаметра всасывающего патрубка на корпусе насоса
- Для защиты насоса от гидроудара на

напорном патрубке может быть установлен обратный клапан.

- При прямом подключении насоса к коммунальной системе водоснабжения на патрубке всасывания также следует установить обратный и запорный клапаны (рис. 2).
- Для непрямого подключения через резервуар на всасывающем патрубке следует установить приемный сетчатый фильтр для предотвращения попадания в насос загрязнений и обратный клапан.

#### 7.4 Электроподключение



##### **ВНИМАНИЕ! Опасность поражения электрическим током!**

Следует исключить риск поражения электрическим током.

- Все работы по электроподключению должен выполнять только квалифицированный персонал!
- Перед выполнением электрических соединений обесточить (выключить) насос и принять меры для исключения несанкционированного пуска.
- Для безопасной установки и эксплуатации необходимо обеспечить правильное заземление установки через клеммы заземления источника питания.
- Убедитесь в том, что номинальный ток, напряжение и частота соответствуют значениям, указанным на паспортной табличке мотора.
- Насос должен быть подключен к сети с помощью жесткого кабеля со штыревым электрическим соединителем или разъединителем цепи. Использовать кабель, соответствующий применимым стандартам (3 жилы: 2 фазы + заземление):  
H05RN-F 3 G 1.5 минимум  
H05RN-F 3 G 2.5 максимум
- Соединительный кабель следует прокладывать таким образом, чтобы он ни в коем случае не касался водопроводной магистрали и/или корпуса насоса и корпуса двигателя.
- Насос/установка должны быть заземлены в соответствии с местными предписаниями. Для дополнительной защиты допускается использовать устройство защитного отключения (УЗО).
- Отвернуть крышку распределительной коробки.
- Снять крышку.
- Поменять направление резьбового кабельного соединения.
- Подсоединить к источнику электропитания. Подключение к источнику электропитания должно выполняться в соответствии со схемой (рис. 1).
- Поместить крышку обратно на распределительную коробку.
- Плотно завернуть крышку на распределительной коробке.

## 8. Ввод в эксплуатацию

### 8.1 Заливка насоса (рис. 4)



#### **ВНИМАНИЕ! Опасность повреждения насоса.**

Никогда не запускать насос всухую. Перед пуском насоса система должна быть заполнена.

- Снять заливную пробку.
- Заполнить насос и всасывающий трубопровод водой.
- Убедиться в отсутствии воздуха в насосе и всасывающем трубопроводе: следует доливать воду до полного удаления воздуха.
- Поставить на место заливную пробку.

### 8.2 Пуск



**ВНИМАНИЕ!** Насос не должен работать при нулевом расходе (при закрытом нагнетательном клапане).

- Подать электропитание на насос, чтобы его запустить.
- Убедитесь в том, что вентилятор вращается по часовой стрелке.

## 9. Техническое обслуживание и ремонт

**Все работы по техническому обслуживанию и ремонту должны выполняться имеющим допуск квалифицированным персоналом.**



#### **ОСТОРОЖНО! Опасность поражения электрическим током!**

Перед проведением работ на электрооборудовании обесточить (выключить) насос и принять меры для исключения несанкционированного пуска.

- В процессе эксплуатации особого технического обслуживания не требуется.
- Насос следует содержать в чистоте.
- Если насос длительное время или в периоды температуры замерзания не используется, необходимо слить из него воду во избежание повреждения: полностью опорожнить насос, промыть чистой водой и хранить в сухом месте.

## 10. Неисправности, причины и способы устранения



### **ОСТОРОЖНО! Опасность поражения электрическим током!**

Перед проведением работ на электрооборудовании обесточить (выключить) насос и принять меры для исключения несанкционированного пуска.

Неисправности	Причины	Способы устранения
Насос не работает	Отсутствует электропитание	Проверить плавкие предохранители, проводку и разъемы
	Сработало защитное устройство мотора	Устранить перегрузку двигателя
Насос работает, но достичь рабочей точки не удается	Неправильное направление вращения	Проверить направление вращения и изменить при необходимости
	Инородный материал внутри насоса	Проверить и очистить насос
	Воздух во всасывающем патрубке	Герметизировать всасывающий патрубок
	Слишком малое сечение всасывающего патрубка	Установить всасывающий патрубок большего сечения
	Клапан недостаточно открыт	Открыть клапан полностью
	Слишком низкое напряжение электропитания насоса	Проверить напряжение на соединительных клеммах мотора и в проводах
	Приемный клапан не погружен	Погрузить приемный клапан (не менее 50 см). При необходимости установить балласт на гибкий шланг-провод
Неравномерная подача насоса	Отрицательная высота всасывания (НА) не соответствует требованиям	Учесть условия установки и рекомендации, приведенные в данном руководстве, для внесения изменений при необходимости
	Диаметр всасывающего трубопровода меньше диаметра патрубка насоса	Диаметр всасывающего трубопровода должен быть таким же, что и диаметр всасывающего патрубка насоса.
	Приемный фильтр и всасывающий трубопровод частично засорены	Разобрать и очистить
Насос вибрирует или издает чрезмерный шум	Инородный материал внутри насоса	Удалить инородный материал
	Насос ненадежно закреплен на основании	Затянуть анкерные болты
	Повреждена опора	Обратиться в отдел по работе с клиентами Wilo Customer Service
Перегрев мотора Срабатывание защиты двигателя	Обрыв фазы	Проверить плавкие предохранители, проводку и разъемы
	Слишком высокая температура окружающей среды	Обеспечить достаточное охлаждение
	Низкое напряжение	Проверить напряжение на клеммах мотора. Отклонение напряжения от номинального не должно превышать $\pm 10\%$
	Насос заблокирован инородным материалом	Разобрать и очистить насос
Утечка на скользящем торцевом уплотнении	Скользящее торцевое уплотнение неисправно	Заменить скользящее торцевое уплотнение

**При невозможности самостоятельно устранить проблему обращайтесь в отдел по работе с клиентами Wilo Customer Service.**

## 11. Запасные части

Все запасные части заказываются через отдел по работе с клиентами Wilo Customer Service. Во избежание ошибок при оформлении заказа всегда ссылайтесь на данные фирменной таблички насоса.  
Каталог запасных частей доступен на веб-сайте: [www.wilo.com](http://www.wilo.com)

## 12. Утилизация

### Информация о сборе бывших в употреблении электрических и электронных изделий.

Правильная утилизация и надлежащая вторичная переработка этого изделия обеспечивают предотвращение экологического ущерба и опасности для здоровья людей.



### УВЕДОМЛЕНИЕ: Запрещено утилизировать с бытовыми отходами!

В Европейском Союзе этот символ может находиться на изделии, упаковке или в сопроводительных документах. Он означает, что соответствующие электрические и электронные изделия нельзя утилизировать вместе с бытовыми отходами.

Для правильной обработки, вторичного использования и утилизации соответствующих отработавших изделий необходимо учитывать следующие моменты:

- Сдавать эти изделия только в предусмотренные для этого сертифицированные сборные пункты.
- Соблюдать местные действующие правила! Информацию о надлежащем порядке утилизации можно получить в органах местного самоуправления, ближайшем пункте утилизации отходов или у дилера, у которого было куплено изделие. Более подробная информация о вторичной переработке содержится на сайте [www.wilo-recycling.com](http://www.wilo-recycling.com).

**Предприятие оставляет за собой право на технические изменения!**

## Дополнительная информация:

### I. Информация о дате изготовления

Дата изготовления указана на заводской табличке оборудования. Разъяснения по определению даты изготовления: Например: YYwWW = 14w30

YY = год изготовления

w = символ «Неделя»

WW= неделя изготовления

### II. Сведения об обязательной сертификации.

Сертификат соответствия



№ ТС RU C-DE.AB24.B.01945, срок действия с 26.12.2014 по 25.12.2019, выдан органом по сертификации продукции ООО «СП «СТАНДАРТ ТЕСТ», город Москва.

Оборудование соответствует требованиям Технического Регламента Таможенного Союза ТР ТС 010/2011 «О безопасности машин и оборудования»

### III. Информация о производителе и официальных представительствах.

1. Информация об изготовителе.

Изготовитель: WILO SE (ВИЛО СЕ)

Страна производства указана на заводской табличке оборудования.

2. Официальные представительства на территории Таможенного Союза.

Россия:

ООО «ВИЛО РУС», 123592, г. Москва, ул. Кулакова, д. 20

Телефон +7 495 781 06 90,

Факс + 7 495 781 06 91,

E-mail: [wilo@wilo.ru](mailto:wilo@wilo.ru)

Беларусь:

ИООО "ВИЛО БЕЛ", 220035, г. Минск

ул. Тимирязева, 67, офис 1101, п/я 005

Телефон: 017 228-55-28

Факс: 017 396-34-66

E-mail: [wilo@wilo.by](mailto:wilo@wilo.by)

Казахстан:

ТОО «WILO Central Asia», 050002, г. Алматы, Джангильдина, 31

Телефон +7 (727) 2785961

Факс +7 (727) 2785960

E-mail: [info@wilo.kz](mailto:info@wilo.kz)

### IV Дополнительная информация к инструкции по монтажу и эксплуатации.

#### Срок хранения:

Новое оборудование может храниться как минимум в течение 1 года. Оборудование должно быть тщательно очищено перед помещением на временное хранение. Оборудование следует хранить в чистом, сухом, защищенном от замерзания месте.

#### Техническое обслуживание:

Оборудование не требует обслуживания. Рекомендуется регулярная проверка каждые 15 000 ч.

#### Срок службы:

При правильном режиме эксплуатации, соблюдении всех указаний Инструкции по монтажу и эксплуатации и при своевременном выполнении планово-предупредительных ремонтов, срок службы оборудования -10 лет.

#### Уровень шума:

Уровень шума оборудования составляет не более 80дБ(А). В случае превышения указанного значения информация указывается на наклейке оборудования или в инструкции по монтажу и эксплуатации.

#### Безопасная утилизация:

Благодаря правильной утилизации и надлежащему вторичному использованию данного изделия предотвращается нанесение ущерба окружающей среде и опасности для здоровья персонала. Правила утилизации требуют опорожнения и очистки, а также демонтажа оборудования.

Собрать смазочный материал. Выполнить сортировку деталей по материалам (металл, пластик, электроника).

1. Для утилизации данного изделия, а также его частей следует привлекать государственные или частные предприятия по утилизации.

2. Дополнительную информацию по надлежащей утилизации можно получить в муниципалитете, службе утилизации или в месте, где изделие было куплено.



### ٣. النقل والتخزين الوسيط

عند استلام الجهاز، تأكد من أنه لم يتلف أثناء النقل. اتخذ الإجراء اللازم مع الجهة الناقلة في غضون الوقت المسموح به في حالة وقوع تلف أثناء الشحن.

**تنبيه!** قد تتسبب بيئة التخزين في التلف.

إذا كانت المعدات سيتم تركيبها في وقت لاحق، فقم بتخزينها في مكان جاف واحمها من الصدمات والتأثيرات الخارجية (الرطوبة، أو الصقيع، أو غير ذلك).

تعامل مع المضخة بحرص حتى لا يتلف المنتج قبل تركيبه!



### ٤. التطبيق

تتمثل الوظيفة الأساسية للمضخة في ضخ الماء النظيف الذي لا يحتوي على رواسب راكدة.

**خطر! خطر الانفجار!**

لا تستخدم المضخة في نقل السوائل القابلة للاشتعال أو السوائل الانفجارية.



### ٥. البيانات الفنية

#### ١-٥ جدول البيانات

البيانات الهيدروليكية	
٦,٥ بار (٠,٦٥ ميجاباسكال)	ضغط التشغيل الأقصى
١,٥ بار (٠,١٥ ميجاباسكال)	الحد الأقصى لضغط الشفط
راجع لوحة الموتور	الحد الأقصى لرأس التوصيل
نطاق درجة الحرارة	
٦٠+ درجة مئوية	الحد الأقصى لدرجة حرارة السوائل
٤٠+ درجة مئوية	درجة الحرارة المحيطة
البيانات الكهربائية	
IP X4	معدل حماية الموتور
١٥٥	فئة العزل
راجع لوحة الموتور	التردد
	الجهد

#### ٢-٥ نطاق التسليمات

- مضخة إزاحة أحادية المرحلة بدافع نصف قطري.
- دليل التشغيل.

### ٦. الوصف والوظيفة

- تُعد مضخات HiPeri مضخات إزاحة أحادية المرحلة بدافع نصف قطري.
- المنافذ ملولبة بوصلة مص ووصلة ضغط نصف قطرية متجهة لأعلى.

### ٦-٢ تعليمات الأمان الخاصة بأعمال التركيب والصيانة

يجب أن يتأكد المشغل من أن جميع أعمال الصيانة والتركيب يقوم بتنفيذها موظفون معتمدون ومؤهلون على معرفة كافية بتعليمات التشغيل بسبب دراستهم التفصيلية الخاصة. ولا بد أن يتم تنفيذ الأعمال التي تتم على المنتج/الوحدة أثناء توقفها عن العمل. كما يجب الالتزام بالإجراء الموضح في تعليمات التركيب والتشغيل الخاص بإيقاف تشغيل المنتج/الوحدة. فور انتهاء العمل، لا بد من إعادة جميع أجهزة الأمان والوقاية مرة أخرى إلى مكانها و/أو إعادة تجهيزها للعمل.

### ٧-٢ التعديل والتصنيع غير المرخص لقطع الغيار

سوف يؤدي التعديل والتصنيع غير المصرح به لقطع الغيار إلى ضعف سلامة المنتج/تعرض الموظفين للخطر، وسيؤدي إلى إقرارات الجهة المصنعة بشأن الأمان. لا يجوز إدخال تعديلات على المنتج إلا بعد التشاور مع الجهة المصنعة. استخدام قطع الغيار الأصلية والملحقات التكميلية المصرح بها من الجهة المصنعة يضمن سلامتك. سيؤدي استخدام الأجزاء الأخرى إلى إغفاننا من المسؤولية نظراً للنتائج المترتبة على ذلك.

### ٨-٢ الاستخدام غير المناسب

يتم ضمان سلامة تشغيل المنتج الوارد فقط عند الاستخدام التقليدي بالتوافق مع القسم رقم ٤ من تعليمات التشغيل. يجب ألا تنخفض القيم الحدية أو تتجاوز بأي حال من الأحوال تلك المحددة في الكتالوج/استمارة البيانات.

## ١. عام

## ١-١ معلومات حول هذه الوثيقة

لغة تعليمات التشغيل الأصلية هي اللغة الفرنسية. جميع اللغات الأخرى الخاصة بهذه التعليمات هي ترجمات لتعليمات التشغيل الأصلية.

تعليمات التركيب والتشغيل هذه هي جزء لا يتجزأ من المنتج. ويجب الاحتفاظ بها لتكون جاهزة في المكان الذي يتم فيه تركيب المنتج. التقيد التام بهذه التعليمات هو شرط مسبق للاستخدام السليم والتشغيل الصحيح للمنتج.

تتوافق تعليمات التركيب والتشغيل هذه مع الإصدار ذي الصلة بالمنتج ومعايير الأمان الأساسية الصالحة في وقت طباعتها.

شهادة المطابقة الخاصة بالمجموعة الأوروبية:

تتوفر نسخة من شهادة المطابقة الخاصة بالمجموعة الأوروبية كجزء من تعليمات التشغيل هذه.

وفي حالة حدوث تعديل تقني في التصميم المذكورة فيها بدون موافقتنا، تفقد هذه الشهادة صلاحيتها.

## ملاحظة:

معلومات مفيدة حول التعامل مع المنتج.

حيث تلقي الضوء على المشكلات المحتملة.

المعلومات التي تظهر مباشرة على المنتج، مثل

- سهم اتجاه الدوران
- العلامات المحددة للتوصيلات
- لوحة التصنيف
- ملصقات تحذيرية
- يجب التقيد بها بدقة والاحتفاظ بها في موضع واضح سهل القراءة.

## ٢-٢ مؤهلات العاملين

يجب أن يكون لدى العاملين المسؤولين عن التركيب، والتشغيل، والصيانة مؤهلات كافية تتناسب مع هذه الأعمال. على أن يضمن المشغل نطاق المسؤولية للموظفين، وصلاحيتهم، ومراقبتهم. وإذا كان الموظفون لا يملكون المعرفة اللازمة، فيستمر تدريبهم وتوجيههم. وهذا يمكن إنجازها، عند الضرورة، عن طريق الشركة المصنعة للمنتج بتكليف من المشغل.

## ٣-٢ الأخطار في حالة عدم مراعاة تعليمات الأمان

قد يؤدي عدم مراعاة تعليمات الأمان إلى مخاطر تعرض الأشخاص لإصابة وإلحاق الضرر بالبيئة والمنتج/الوحدة. وقد ينتج عن عدم الالتزام بتعليمات السلامة سقوط أي دعوى ضد التلقيات. وبالتفصيل، قد يتسبب عدم الالتزام، على سبيل المثال، في المخاطر التالية:

- وجود خطر على الأشخاص ناتج عن التأثيرات الكهربائية، والميكانيكية، والجرثومية
- ضرر يلحق بالبيئة بسبب تسرب مواد خطرة
- تلف الممتلكات
- عطل في الوظائف الهامة للمنتج/الوحدة
- فشل في إجراءات الصيانة والإصلاح المطلوبة.

## ٤-٢ اتباع احتياطات الأمان في العمل

يجب الالتزام بالتوجيهات الموجودة لتجنب الحوادث. يجب تفادي أي خطر ينتج عن التيار الكهربائي. يجب الالتزام بالتوجيهات المحلية أو التوجيهات العامة [على سبيل المثال، اللجنة الدولية للتقنية الكهربائية (IEC)، والرابطة الألمانية للكهرباء والإلكترونيات وتقنية المعلومات (VDE)، إلخ] والتعليمات الصادرة عن شركات الكهرباء المحلية.

## ٥-٢ تعليمات الأمان الخاصة بالمشغل

هذا الجهاز غير مخصص للاستخدام من قبل الأشخاص (ومن بينهم الأطفال) أصحاب القدرات الجسدية، أو الحسية، أو العقلية المحدودة أو الذين يفتقرون إلى الخبرة والمعرفة اللازمة، ما لم يتم ذلك تحت إشراف ومراقبة شخص مسؤول عن سلامتهم فيما يتعلق باستخدام الجهاز.

- يجب الإشراف على الأطفال لضمان عدم عبثهم بالجهاز.
- إذا كانت المكونات الساخنة أو الباردة بالمنتج/الوحدة ستسبب في حدوث مخاطر، فلا بد من اتخاذ الإجراءات المحلية للحيلولة دون لمسها.
- يجب عدم إزالة الواقيات التي تحمي الأفراد من لمس المكونات المتحركة (مثل القارئة) عندما يكون المنتج قيد التشغيل.
- يجب تصريف أي حالات تسرب (على سبيل المثال، من سدادات الأعمدة) للسوائل الخطرة (التي تعتبر متفجرة، أو سامة، أو ساخنة) بعيداً حتى لا يتعرض الأشخاص أو البيئة للخطر. يجب الالتزام بالأحكام القانونية المحلية.
- يجب تفادي أي خطر ينتج عن التيار الكهربائي. يجب الالتزام بالتوجيهات المحلية أو التوجيهات العامة [على سبيل المثال، اللجنة الدولية للتقنية الكهربائية (IEC)، والرابطة الألمانية للكهرباء والإلكترونيات وتقنية المعلومات (VDE)، إلخ] والتعليمات الصادرة عن شركات الكهرباء المحلية.

## ٢. الأمان

تحتوي تعليمات التركيب والتشغيل هذه على معلومات مهمة يجب الالتزام بها أثناء التركيب، والتشغيل، والصيانة. ولهذا السبب، يجب على فني الخدمة والمتخصص/المشغل المسؤول قراءة تعليمات التشغيل هذه دون إهمال قبل التركيب والتشغيل. تعليمات الأمان التي يلزم مراعاتها لا تقتصر فقط على التعليمات المذكورة بشكل عام تحت العنوان الرئيسي "الأمان"، لكنها تضم أيضاً تعليمات الأمان الخاصة الواردة في العناوين التالية والمصحوبة برموز للأخطار.

## ١-٢ الرموز والكلمات التحذيرية في تعليمات التشغيل

## الرموز

رمز وجود خطر عام



خطر ناتج عن الجهد الكهربائي



إرشاد: ...



## الكلمات التحذيرية:

## خطر!

موقف شديد الخطورة.

عدم الالتزام يسبب الوفاة أو إصابات بالغة.

## تحذير!

قد يتعرض المستخدم لإصابات (بالغة). يدل "التحذير" على إمكانية وقوع إصابة (بالغة) للأشخاص في حالة تجاهل هذه المعلومات.

## تنبيه!

يوجد خطر إلحاق ضرر بالمنتج/الوحدة. يدل "التنبيه" على إمكانية إلحاق ضرر بالمنتج في حالة تجاهل هذه المعلومات.

## ٨. بدء التشغيل

## ١-٨ التحضير (الشكل رقم ٤)

**تنبيه! خطر تلف المضخة.**



لا تتم بتشغيل المضخة وهي جافة.  
ينبغي أن تتم تعبئة النظام قبل تشغيل المضخة.

- افصل قابس التحضير.
- قم بتعبئة المضخة وأنبوب الشفط بالماء.
- تأكد من خلو المضخة أو أنبوب الشفط من الهواء: يجب تعبئة كل منهما بحيث يتم طرد الهواء بالكامل منهما.
- أعد تركيب قابس التحضير.

## ٢-٨ البدء

**تنبيه! يجب ألا يتم تشغيل المضخة عند التدفق الصفري (صمام التصريف مغلق).**



- قم بتشغيل طاقة المضخة بحيث تبدأ العمل.
- تأكد من دوران المروحة في اتجاه عقارب الساعة.

## ٩. الصيانة والفحص

يجب تنفيذ جميع أعمال الصيانة بواسطة فني معتمد وموهل.

**تحذير! خطر التعرض لصدمة كهربائية!**



قبل إجراء أي عمل كهربائي، يجب قطع الطاقة عن المضخة (إيقاف تشغيلها) وحمايتها من عملية إعادة التشغيل غير المسموح بها.

- لا يتطلب الأمر صيانة خاصة خلال التشغيل.
- حافظ على نظافة المضخة.
- إذا لم تُستخدم المضخة لفترة طويلة أو أثناء الفترات التي تصل بها درجات الحرارة لمستويات التجمد، فإنه يجب تصريف الماء من المضخة لمنع حدوث أي تلف: قم بإفراغ المضخة بالكامل، واشطفها بماء نظيف، وازنها في مكان جاف.



## ٧. التركيب والتوصيل الكهربائي

يجب تنفيذ جميع أعمال التوصيل الكهربائي فقط بواسطة أفراد مؤهلين وبما يتوافق مع اللوائح والقوانين المحلية.

**تحذير! إصابات بدنية!**

يجب اتباع القوانين المعمول بها لمنع الحوادث.

**تحذير! خطر التعرض لصدمة كهربائية!**

يجب التخلص من أي خطر ينتج عن التيار الكهربائي.

## ١-٧ عند استلام المنتج

- أخرج المضخة من العبوة وقم بإعادة تدوير العبوة أو تخلص منها بطريقة مسؤولة بيئيًا.

## ٢-٧ التركيب

- يجب ألا يتم تركيب المضخة إلا في موقع جاف جيد التهوية وخالي من التلوج.

**تنبيه! خطر تلف المضخة!**

قد يؤثر وجود المواد الغريبة أو الأوساخ في مبيت المضخة على تشغيل المضخة.

- نوصي بإجراء أي أعمال لحام بالقصدير أو النحاس قبل تركيب المضخة.

• اشطف الدائرة بالكامل قبل تركيب المضخة وتشغيلها.

• قم بإزالة الأغشية الواقية من مبيت المضخة قبل تركيبها.

• يجب تركيب المضخة في مكان يسهل الوصول إليه لأغراض الفحص أو الاستبدال.

• ثبت المضخة من خلال فتحتين مشقوقتين على كرسي تحميل القاعدة (للمثبتات Ø M<sup>5</sup>) (راجع الشكل ٥)

**تحذير! خطر وقوع حادث بسبب الأسطح الساخنة!**

يجب تركيب المضخة بطريقة تحول دون لمس أي فرد للأسطح الساخنة بالمنتج أثناء تشغيله.

• قم بتركيب المضخة في وضع أفقي فوق سطح خرساني مستوي باستخدام الملحقات المناسبة.

إرشاد: وحيث إنه من المحتمل أن تكون المضخة قد خضعت لاختبار في المصنع، فقد يكون هناك ماء متبقٍ بداخلها. نوصي بشطف المضخة.

## ٣-٧ التوصيل بالمصدر الرئيسي

- يوصى بتركيب صمامات عازلة على جانبي الشفط والتصريف بالمضخة. (الشكل رقم ٣)
- يجب أن يكون مقطع التصادم بالأنبوب متساويًا على الأقل مع قطر منفذ الشفط في مبيت المضخة.
- يمكن وضع صمام عدم رجوع في وصلة الضغط لحماية المضخة من مطرقة الماء.
- إذا تم توصيل مقيس أنبوب الشفط بمصدر ماء عام ومحمول، فإنه يجب توصيله أيضًا بصمام عدم رجوع وصمام توقف. (الشكل رقم ٢)
- وإذا تم توصيل مقيس أنبوب الشفط مباشرة عبر خزان، فإنه يجب تزويده بمصفاة شفط لحجب الشوائب من دخول المضخة وصمام عدم رجوع.

## ٤-٧ التوصيل الكهربائي

**تنبيه! خطر التعرض لصدمة كهربائية!**

يجب تفادي أي خطر ينتج عن التيار الكهربائي.

- تأكد من تنفيذ جميع الأعمال الكهربائية بواسطة فني كهربائي مؤهل فقط!

• يجب توصيل المضخة بالشبكة بكابيل صلب مزود بموصل ذكر أو عازل طاقة

استخدم كبلًا يتطابق مع المعايير (٣ قلوب: طوران + أرضي):

1,5 G 3 H 0,5 RN-F بحد أدنى

2,5 G 3 H 0,5 RN-F بحد أقصى

- غير المسموح بها.
- لضمان التركيب والتشغيل الآمنين، يجب تأريض الوحدة بشكل صحيح باستخدام أطراف توصيل أرضية لمصدر الإمداد بالطاقة الكهربائية.

• تحقق من موافقة التيار المقدر، والجهد، والتردد للمعلومات الموضحة على لوحة تصنيف الموتور.

• يجب توصيل المضخة بمصدر إمداد بالطاقة الكهربائية من خلال كبل قوي مثبت به موصل ذكر أو مفتاح عزل.

• يجب توجيه كبل التوصيل بحيث لا يتلامس مطلقًا مع مصدر الإمداد بالماء و/أو مبيت المضخة ومبيت الموتور.

• يجب تأريض المضخة/الوحدة بما يتوافق مع اللوائح التنظيمية المحلية. يمكن استخدام جهاز الكشف عن التيار المتبقي لتوفير مزيد من الحماية.

• قم بفك مسامير غطاء صندوق أطراف التوصيل.

• قم بفك الغطاء.

• قم بلف وصلة الكبل الملولبة إلى الجانب الآخر.

• قم بتوصيل الكبل بمصدر إمداد الطاقة. يجب أن يتبع التوصيل بمصدر إمداد الطاقة الشكل الموضح للتوصيل (الشكل رقم ١).

• أعد تركيب الغطاء بصندوق أطراف التوصيل.

• أعد ربط الغطاء بإحكام بصندوق أطراف التوصيل.

ال كهربائية املن منتجات تجمىع حول معلومات  
املستعملة والإلكترونية  
وإعادة ينبغي كما ال من منتجات من ال تخلص ي عمل  
وقوع دون ال حول على ال من اسبب ال شك ل تدويرها  
ال شخصية الصحة على مخاطر و ظهور بيئية أضرار



فى املن منتجات من ال تخلص، يُحظر ان ذال  
ال قمامة

املن زلىة

ال رمز هذا ي وجد قد ال وروبي، ال تهاد دول فى  
ال معرفة ال ورق على أو ال عبوة على أو ال من تج على  
ال من منتجات من ال تخلص يُسمح ال أنه يعنى وهو  
ال قمامة مع ال معنوية والإلكترونية ال كهربائية  
ال من زلىة

تدويرها وإعادة ال معنوية ال قديمة ال من منتجات لمعالجة  
ال: الية ال نقاط مراعاة يجب ين بغي، كما منها وال تخلص  
ال مخصصة ال تجمىع مراكز لدى ال من منتجات ترك  
وال معتمدة

محلًا ال سارية ال حكام مراعاة يجب

ال تخلص حول معلومات على ال حصول طلب يمكنكم  
من أو المحلية ال بلديات من ين بغي كما ال من تج من  
الذي ال تاجر من أو ال زف ايات من ال تخلص مركز أقرب  
ال معلومات من ال مزيد تتوفر منه ال من تج بشراء قمت  
على ال من تج تدوير إعادة حول  
[www.wilo-recycling.com](http://www.wilo-recycling.com)

## ١٠. الأعطال، أسبابها وطرق إصلاحها

**تحذير! خطر التعرض لصدمة كهربائية!**

قبل إجراء أي عمل كهربائي، يجب قطع الطاقة عن المضخة (إيقاف تشغيلها) وحمايتها من عملية إعادة التشغيل غير المسموح بها.



الاعطال	الأسباب	الحلول المقترحة
المضخة لا تعمل	لا يوجد إمداد من مصدر الطاقة الكهربائية	تحقق من أسلاك الفصل القابلة للانصهار، والأسلاك، والتوصيلات
المضخة تعمل لكن لا يمكنها الوصول إلى نقطة العزم المطلوبة	قطع الطاقة الكهربائية من قبل جهاز حماية الموتور	تخلص من أي حمل زائد بالموتور
	اتجاه خاطئ للدوران	تحقق من اتجاه دوران المحرك وصحة إذا تطلب الأمر
	هناك مواد غريبة في المضخة	افحص الأنابيب وقم بتنظيفه
	هناك هواء في مقبس أنبوب الشفط	تأكد من سد أنبوب الشفط بإحكام
	مقبس أنبوب الشفط ضيق للغاية	قم بتركيب أنبوب شفط أوسع
	الصمام غير مفتوح بدرجة كافية	افتح الصمام بشكل كامل
	جهد الطاقة الكهربائية الموصل إلى المضخة منخفض للغاية	تحقق من صحة قيمة الجهد عند التوصيلات الطرفية للموتور ومقاطع الموصلات
	الصمام السفلي اللارجعي غير مغمر في الماء	اغمر الصمام السفلي اللارجعي في الماء (٥٠ سم على الأقل). قم بوضع ثقل لشبكة الأنابيب ذات الخرطوم المرنة إذا تطلب الأمر
إخراج المضخة غير منتظم	رأس الشفط السلبي (HA) ليس حسب المطلوب	راجع شروط التركيب والتوصيلات الموضحة في هذا الدليل
	قطر أنبوب الشفط أصغر من الموجود في المضخة	يجب أن يكون قطر أنبوب الشفط مساوياً لقطر منفذ الشفط بالمضخة
	تعرض الصمام السفلي اللارجعي وأنبوب الشفط للانسداد الجزئي	قم بفكهما وتنظيفهما
المضخة تهتز أو يصدر عنها ضجيج	هناك مواد غريبة في المضخة	قم بإزالة الأجسام الغريبة
	المضخة غير مثبتة بالأرض بإحكام.	أحكام الربط على البراغي الملولبة
	تلفت الدعامة	اتصل بخدمة عملاء Wilo
ترتفع درجة حرارة الموتور عن الحد المناسب يتم تشغيل حماية الموتور	تمت مقاطعة أحد الأطوار	تحقق من أسلاك الفصل القابلة للانصهار، والأسلاك، والتوصيلات
	درجة الحرارة المحيطة عالية للغاية	قم بتبريد المضخة
	نقص الفولطية	تحقق من الجهد في أطراف التوصيل بالموتور، يجب أن يكون ضمن $\pm 10\%$ من الجهد المقدر
	هناك جسم غريب يعيق عمل المضخة	قم بفك المضخة وتنظيفها
هناك تسرب من القفل الميكانيكي	يوجد عطل بالقفل الميكانيكي	استبدل القفل الميكانيكي

إذا تعذر عليك معالجة الخلل، فيرجى الاتصال بخدمة عملاء Wilo.

## ١١. قطع الغيار

يجب طلب جميع قطع الغيار من خدمة عملاء Wilo. لمنع حدوث الأخطاء، اقتبس البيانات الموضحة على لوحة تصنيف المضخة عند إجراء طلب. يُتاح كتالوج قطع الغيار على الموقع: [www.wilo.com](http://www.wilo.com)

عرضة للتغييرات الفنية.

**EU/EG KONFORMITÄTSERKLÄRUNG**  
**EU/EC DECLARATION OF CONFORMITY**  
**DECLARATION DE CONFORMITE UE/CE**

Als Hersteller erklären wir hiermit, dass die Pumpenbauarten der Baureihe  
*We, the manufacturer, declare that the pump types of the series*  
*Nous, fabricant, déclarons que les types de pompes de la série*

**HiPeri**

*(Die Seriennummer ist auf dem Typenschild des Produktes angegeben / The serial number is marked on the product site plate / Le numéro de série est inscrit sur la plaque signalétique du produit)*

in der gelieferten Ausführung folgenden einschlägigen Bestimmungen entsprechen :  
*In their delivered state comply with the following relevant directives :*  
*dans leur état de livraison sont conformes aux dispositions des directives suivantes :*

- \_ **Niederspannungsrichtlinie 2014/35/EU ab 20 April 2016**
- \_ **Low voltage 2014/35/EU from April 20th 2016**
- \_ **Basse tension 2014/35/UE à partir du 20 avril 2016**
- \_ **Elektromagnetische Verträglichkeit-Richtlinie 2014/30/EU ab 20 April 2016**
- \_ **Electromagnetic compatibility 2014/30/EU from April 20th 2016**
- \_ **Compabilité électromagnétique 2014/30/UE à partir du 20 avril 2016**
- \_ **Beschränkung der Verwendung bestimmter gefährlicher Stoffe-Richtlinie 2011/65/EU**
- \_ **Restriction of the use of certain hazardous substances 2011/65/EU**
- \_ **Limitation de l'utilisation de certaines substances dangereuses 2011/65/UE**

und entsprechender nationaler Gesetzgebung,  
*and with the relevant national legislation,*  
*et aux législations nationales les transposant,*

sowie auch den Bestimmungen zu folgenden harmonisierten europäischen Normen :  
*comply also with the following relevant harmonized European standards :*  
*sont également conformes aux dispositions des normes européennes harmonisées suivantes :*

**EN 60335-2-41**

Dortmund,

*ppa. H. Herchenheim*

Digital  
unterschieden  
von  
holger.herchenheim  
n@wilo.com  
Datum: 2016.07.13  
10:38:40 +02'00'

**H. HERCHENHEIM**  
**Senior Vice President - Group ITQ**

**wilo**

**WILO SE**  
**Nortkirchenstraße 100**  
**44263 Dortmund - Germany**

N°2117910.02 (CE-A-S n°4189154)

<p align="center"><b>(BG) - български език</b> <b>ДЕКЛАРАЦИЯ ЗА СЪОТЕТСТВИЕ ЕО</b></p> <p>WILO SE декларира, че продуктите посочени в настоящата декларация съответстват на разпоредбите на следните европейски директиви и приелите ги национални законодателства:</p> <p>Ниско Напрежение 2014/35/ЕО ; Електромагнитна съвместимост 2014/30/ЕО ; Ограничение на употребата на определени опасни вещества 2011/65/ЕС</p> <p>както и на хармонизираните европейски стандарти, упоменати на предишната страница.</p>	<p align="center"><b>(CS) - Čeština</b> <b>ES PROHLÁŠENÍ O SHODĚ</b></p> <p>WILO SE prohlašuje, že výrobky uvedené v tomto prohlášení odpovídají ustanovením níže uvedených evropských směrnic a národním právním předpisům, které je přejímají:</p> <p>Nízké Napětí 2014/35/ES ; Elektromagnetická Kompatibilita 2014/30/ES ; Omezení používání určitých nebezpečných látek 2011/65/EU</p> <p>a rovněž splňují požadavky harmonizovaných evropských norem uvedených na předcházející stránce.</p>
<p align="center"><b>(DA) - Dansk</b> <b>EF-OVERENSSTEMMELSESERKLÆRING</b></p> <p>WILO SE erklærer, at produkterne, som beskrives i denne erklæring, er i overensstemmelse med bestemmelserne i følgende europæiske direktiver, samt de nationale lovgivninger, der gennemfører dem:</p> <p>Lavspændings 2014/35/EF ; Elektromagnetisk Kompatibilitet 2014/30/EF ; Begrænsning af anvendelsen af visse farlige stoffer 2011/65/EU</p> <p>De er ligeledes i overensstemmelse med de harmoniserede europæiske standarder, der er anført på forrige side.</p>	<p align="center"><b>(EL) - Ελληνικά</b> <b>ΔΗΛΩΣΗ ΣΥΜΜΟΡΦΩΣΗΣ ΕΚ</b></p> <p>WILO SE δηλώνει ότι τα προϊόντα που ορίζονται στην παρούσα ευρωπαϊκή δήλωση είναι σύμφωνα με τις διατάξεις των παρακάτω οδηγιών και τις εθνικές νομοθεσίες στις οποίες έχει μεταφερθεί:</p> <p>Χαμηλής Τάσης 2014/35/ΕΚ ; Ηλεκτρομαγνητικής συμβατότητας 2014/30/ΕΚ ; Περιορισμός της χρήσης ορισμένων επικίνδυνων ουσιών 2011/65/ΕΕ</p> <p>και επίσης με τα εξής εναρμονισμένα ευρωπαϊκά πρότυπα που αναφέρονται στην προηγούμενη σελίδα.</p>
<p align="center"><b>(ES) - Español</b> <b>DECLARACIÓN CE DE CONFORMIDAD</b></p> <p>WILO SE declara que los productos citados en la presenta declaración están conformes con las disposiciones de las siguientes directivas europeas y con las legislaciones nacionales que les son aplicables :</p> <p>Baja Tensión 2014/35/CE ; Compatibilidad Electromagnética 2014/30/CE ; Restricción del uso de ciertas sustancias peligrosas 2011/65/UE</p> <p>Y igualmente están conformes con las disposiciones de las normas europeas armonizadas citadas en la página anterior.</p>	<p align="center"><b>(ET) - Eesti keel</b> <b>EÜ VASTAVUSDEKLARATSIOONI</b></p> <p>WILO SE kinnitab, et selles vastavustunnistuses kirjeldatud tooted on kooskõlas alljärgnevat Euroopa direktiivide sätetega ning riiklike seadusandlustega, mis nimetatud direktiivid üle on võtnud:</p> <p>Madalpingeseadmed 2014/35/EÜ ; Elektromagnetilist Ühilduvust 2014/30/EÜ ; Kasutamise piiramine teatavate ohtlike ainete 2011/65/EL</p> <p>Samuti on tooted kooskõlas eelmisel leheküljel ära toodud harmoniseeritud Euroopa standarditega.</p>
<p align="center"><b>(FI) - Suomen kieli</b> <b>EY-VAATIMUSTENMUKAISUUSVAKUUTUS</b></p> <p>WILO SE vakuuttaa, että tässä vakuutuksessa kuvatut tuotteet ovat seuraavien eurooppalaisten direktiivien määräysten sekä niihin sovellettavien kansallisten lakiasetusten mukaisia:</p> <p>Matala Jännite 2014/35/EY ; Sähkömagneettinen Yhteensopivuus 2014/30/EY ; Käytön rajoittaminen tiettyjen vaarallisten aineiden 2011/65/EU</p> <p>Lisäksi ne ovat seuraavien edellisellä sivulla mainittujen yhdenmukaistettujen eurooppalaisten normien mukaisia.</p>	<p align="center"><b>(GA) - Gaeilge</b> <b>EC DEARBHÚ COMHLÍONTA</b></p> <p>WILO SE ndearbhaíonn an cur síos ar na táirgí atá i ráiteas seo, siad i gcomhréir leis na forálacha atá sna treoracha seo a leanas na hEorpa agus leis na dlíthe náisiúnta is infheidhme orthu:</p> <p>Ísealvoltais 2014/35/EC ; Comhoiriúnacht Leictreamaighnéadach 2014/30/EC ; Srian ar an úsáid a bhaint as substaintí guaiseacha acu 2011/65/EU</p> <p>Agus siad i gcomhréir le forálacha na caighdeáin chomhchuibhithe na hEorpa dá dtagraítear sa leathanach roimhe seo.</p>
<p align="center"><b>(HR) - Hrvatski</b> <b>EZ IZJAVA O SUKLADNOSTI</b></p> <p>WILO SE izjavljuje da su proizvodi navedeni u ovoj izjavi u skladu sa sljedećim prihvaćenim europskim direktivama i nacionalnim zakonima:</p> <p>Smjernica o niskom naponu 2014/35/EZ ; Elektromagnetna kompatibilnost - smjernica 2014/30/EZ ; Ograničenju uporabe određenih opasnih tvari 2011/65/EU</p> <p>i usklađenim europskim normama navedenim na prethodnoj stranici.</p>	<p align="center"><b>(HU) - Magyar</b> <b>EK-MEGFELELŐSÉGI NYILATKOZAT</b></p> <p>WILO SE kijelenti, hogy a jelen megfelelőségi nyilatkozatban megjelölt termékek megfelelnek a következő európai irányelvek előírásainak, valamint azok nemzeti jogrendbe átültetett rendelkezéseinek:</p> <p>Alacsony Feszültségű 2014/35/EK ; Elektromágneses összeférhetőségre 2014/30/EK ; Korlátozása az egyes veszélyes anyagok 2011/65/EU</p> <p>valamint az előző oldalon szereplő, harmonizált európai szabványoknak.</p>
<p align="center"><b>(IS) - Íslenska</b> <b>EB LEYFISYFIRLÝSING</b></p> <p>WILO SE lýsir því yfir að vörurnar sem um getur í þessari yfirlýsingu eru í samræmi við eftirfarandi tilskipunum ESB og landslögum hafa samþykkt:</p> <p>Lágspennutilskipun 2014/35/EB ; Rafseguls-samhæfni-tilskipun 2014/30/EB ; Takmörkun á notkun tiltekinna hættulegra efna 2011/65/EU</p> <p>og samhæfða evrópska staðla sem nefnd eru í fyrri síðu.</p>	<p align="center"><b>(IT) - Italiano</b> <b>DICHIARAZIONE CE DI CONFORMITÀ</b></p> <p>WILO SE dichiara che i prodotti descritti nella presente dichiarazione sono conformi alle disposizioni delle seguenti direttive europee nonché alle legislazioni nazionali che le traspongono :</p> <p>Bassa Tensione 2014/35/CE ; Compatibilità Elettromagnetica 2014/30/CE ; Restrizione dell'uso di determinate sostanze pericolose 2011/65/UE</p> <p>E sono pure conformi alle disposizioni delle norme europee armonizzate citate a pagina precedente.</p>
<p align="center"><b>(LT) - Lietuvių kalba</b> <b>EB ATITIKTIES DEKLARACIJA</b></p> <p>WILO SE pareiškia, kad šioje deklaracijoje nurodyti gaminiai atitinka šių Europos direktyvų ir jas perkeliančių nacionalinių įstatymų nuostatus:</p> <p>Žema įtampa 2014/35/EB ; Elektromagnetinis Suderinamumas 2014/30/EB ; Apribojimų dėl tam tikrų pavojingų medžiagų naudojimo 2011/65/EU</p> <p>ir taip pat harmonizuotas Europas normas, kurios buvo cituotos ankstesniame puslapyje.</p>	<p align="center"><b>(LV) - Latviešu valoda</b> <b>EK ATBILSTĪBAS DEKLARĀCIJU</b></p> <p>WILO SEdeklarē, ka izstrādājumi, kas ir nosaukti šajā deklarācijā, atbilst šeit uzskaitīto Eiropas direktīvu nosacījumiem, kā arī atsevišķu valstu likumiem, kuros tie ir ietverti:</p> <p>Zemsprieguma 2014/35/EK ; Elektromagnētiskās Saderības 2014/30/EK ; Izmantošanas ierobežošanu dažu bīstamu vielu 2011/65/EU</p> <p>un saskaņotajiem Eiropas standartiem, kas minēti iepriekšējā lappusē.</p>

<p align="center"><b>(MT) - Malti</b> <b>DIKJARAZZJONI KE TA' KONFORMITÀ</b></p> <p>WILO SE jiddikjara li l-prodotti speċifikati f'din id-dikjarazzjoni huma konformi mad-direttivi Ewropej li jsegwu u mal-leġislazzjonijiet nazzjonali li japplikawhom:</p> <p>Voltagġ Baxx 2014/35/KE ; Kompatibbiltà Elettromanjetika 2014/30/KE ; Restrizzjoni tal-użu ta 'ċerti sustanzi perikolużi 2011/65/UE</p> <p>kif ukoll man-normi Ewropej armonizzati li jsegwu imsemmija fil-paġna preċedenti.</p>	<p align="center"><b>(NL) - Nederlands</b> <b>EG-VERKLARING VAN OVEREENSTEMMING</b></p> <p>WILO SE verklaart dat de in deze verklaring vermelde producten voldoen aan de bepalingen van de volgende Europese richtlijnen evenals aan de nationale wetgevingen waarin deze bepalingen zijn overgenomen:</p> <p>Laagspannings 2014/35/EG ; Elektromagnetische Compatibiliteit 2014/30/EG ; Bepanking van het gebruik van bepaalde gevaarlijke stoffen 2011/65/EU</p> <p>De producten voldoen eveneens aan de geharmoniseerde Europese normen die op de vorige pagina worden genoemd.</p>
<p align="center"><b>(NO) - Norsk</b> <b>EU-OVERENSSTEMMELSESERKLAERING</b></p> <p>WILO SE erklærer at produktene nevnt i denne erklæringen er i samsvar med følgende europeiske direktiver og nasjonale lover:</p> <p>EG-Lavspenningsdirektiv 2014/35/EG ; EG-EMV-Elektromagnetisk kompatibilitet 2014/30/EG ; Begrensning av bruk av visse farlige stoffer 2011/65/EU</p> <p>og harmoniserte europeiske standarder nevnt på forrige side.</p>	<p align="center"><b>(PL) - Polski</b> <b>DEKLARACJA ZGODNOŚCI WE</b></p> <p>WILO SE oświadcza, że produkty wymienione w niniejszej deklaracji są zgodne z postanowieniami następujących dyrektyw europejskich i transponującymi je przepisami prawa krajowego:</p> <p>Niskich Napięć 2014/35/WE ; Kompatybilności Elektromagnetycznej 2014/30/WE ; Ograniczenie stosowania niektórych niebezpiecznych substancji 2011/65/UE</p> <p>oraz z następującymi normami europejskich zharmonizowanymi podanymi na poprzedniej stronie.</p>
<p align="center"><b>(PT) - Português</b> <b>DECLARAÇÃO CE DE CONFORMIDADE</b></p> <p>WILO SE declara que os materiais designados na presente declaração obedecem às disposições das directivas europeias e às legislações nacionais que as transcrevem :</p> <p>Baixa Voltagem 2014/35/CE ; Compatibilidade Electromagnética 2014/30/CE ; Restrição do uso de determinadas substâncias perigosas 2011/65/UE</p> <p>E obedecem também às normas europeias harmonizadas citadas na página precedente.</p>	<p align="center"><b>(RO) - Română</b> <b>DECLARAȚIE DE CONFORMITATE CE</b></p> <p>WILO SE declară că produsele citate în prezenta declarație sunt conforme cu dispozițiile directivelor europene următoare și cu legislațiile naționale care le transpun :</p> <p>Joasă Tensiune 2014/35/CE ; Compatibilitate Electromagnetică 2014/30/CE ; Restricțiile de utilizare a anumitor substanțe periculoase 2011/65/UE</p> <p>și, de asemenea, sunt conforme cu normele europene armonizate citate în pagina precedentă.</p>
<p align="center"><b>(RU) - русский язык</b> <b>Декларация о соответствии Европейским нормам</b></p> <p>WILO SE заявляет, что продукты, перечисленные в данной декларации о соответствии, отвечают следующим европейским директивам и национальным предписаниям:</p> <p>Директива ЕС по низковольтному оборудованию 2014/35/ЕС ; Директива ЕС по электромагнитной совместимости 2014/30/ЕС ; Ограничение использования некоторых опасных веществ 2011/65/ЕU</p> <p>и гармонизированным европейским стандартам, упомянутым на предыдущей странице.</p>	<p align="center"><b>(SK) - Slovenčina</b> <b>ES VYHLÁSENIE O ZHODE</b></p> <p>WILO SE čestne prehlasuje, že výrobky ktoré sú predmetom tejto deklarácie, sú v súlade s požiadavkami nasledujúcich európskych direktív a odpovedajúcich národných legislatívnych predpisov:</p> <p>Nízkonapäťové zariadenia 2014/35/ES ; Elektromagnetickú Kompatibilitu 2014/30/ES ; Obmedzenie používania určitých nebezpečných látok 2011/65/EÚ</p> <p>ako aj s harmonizovanými európskych normami uvedenými na predchádzajúcej strane.</p>
<p align="center"><b>(SL) - Slovenščina</b> <b>ES-IZJAVA O SKLADNOSTI</b></p> <p>WILO SE izjavlja, da so izdelki, navedeni v tej izjavi, v skladu z določili naslednjih evropskih direktiv in z nacionalnimi zakonodajami, ki jih vsebujejo:</p> <p>Nizka Napetost 2014/35/ES ; Elektromagnetno Združljivostjo 2014/30/ES ; O omejevanju uporabe nekaterih nevarnih snovi 2011/65/EU</p> <p>pa tudi z usklajenimi evropskih standardi, navedenimi na prejšnji strani.</p>	<p align="center"><b>(SV) - Svenska</b> <b>EG-FÖRSÄKRAN OM ÖVERENSSTÄMMELSE</b></p> <p>WILO SE intygar att materialet som beskrivs i följande intyg överensstämmer med bestämmelserna i följande europeiska direktiv och nationella lagstiftningar som inför dem:</p> <p>Lågspännings 2014/35/EG ; Elektromagnetisk Kompatibilitet 2014/30/EG ; Begränsning av användningen av vissa farliga ämnen 2011/65/EU</p> <p>Det överensstämmer även med följande harmoniserade europeiska standarder som nämnts på den föregående sidan.</p>
<p align="center"><b>(TR) - Türkçe</b> <b>CE UYGUNLUK TEYID BELGESİ</b></p> <p>WILO SEbu belgede belirtilen ürünlerin aşağıdaki Avrupa yönetmeliklerine ve ulusal kanunlara uygun olduğunu beyan etmektedir:</p> <p>Alçak Gerilim Yönetmeliği 2014/35/AT ; Elektromanyetik Uyumluluk Yönetmeliği 2014/30/AT ; Belirli tehlikeli maddelerin 2011/65/EU bir kullanımını sınırlandıran</p> <p>ve önceki sayfada belirtilen uyumlaştırılmış Avrupa standartlarına.</p>	

## Wilo – International (Subsidiaries)

### Argentina

WILO SALMSON  
Argentina S.A.  
C1295ABI Ciudad  
Autónoma de Buenos Aires  
T +54 11 4361 5929  
carlos.musich@wilo.com.ar

### Australia

WILO Australia Pty Limited  
Murrarie, Queensland, 4172  
T +61 7 3907 6900  
chris.dayton@wilo.com.au

### Austria

WILO Pumpen Österreich  
GmbH  
2351 Wiener Neudorf  
T +43 507 507-0  
office@wilo.at

### Azerbaijan

WILO Caspian LLC  
1065 Baku  
T +994 12 5962372  
info@wilo.az

### Belarus

WILO Bel IOOO  
220035 Minsk  
T +375 17 3963446  
wilo@wilo.by

### Belgium

WILO NV/SA  
1083 Ganshoren  
T +32 2 4823333  
info@wilo.be

### Bulgaria

WILO Bulgaria EOOD  
1125 Sofia  
T +359 2 9701970  
info@wilo.bg

### Brazil

WILO Comercio e  
Importacao Ltda  
Jundiaí – São Paulo – Brasil  
13.213-105  
T +55 11 2923 9456  
wilo@wilo-brasil.com.br

### Canada

WILO Canada Inc.  
Bay 8, 925 – 30th Street NE.  
Calgary, Alberta T2A 5L7  
T +1 403 276 9456  
info@wilo-canada.com

### China

WILO China Ltd.  
101300 Beijing  
T +86 10 58041888  
wilobj@wilo.com.cn

### Croatia

WILO Hrvatska d.o.o.  
10430 Samobor  
T +38 51 3430914  
wilo-hrvatska@wilo.hr

### Cuba

WILO SE  
Oficina Comercial  
Edificio Simona Apto 105  
Siboney. La Habana. Cuba  
T +53 5 2795135  
T +53 7 272 2330  
raul.rodriguez@wilo-cuba.com

### Czech Republic

WILO CS, s.r.o.  
25101 Cestlice  
T +420 234 098711  
info@wilo.cz

### Denmark

WILO Danmark A/S  
2690 Karlslunde  
T +45 70 253312  
wilo@wilo.dk

### Estonia

WILO Eesti OÜ  
12618 Tallinn  
T +372 6 509780  
info@wilo.ee

### Finland

WILO Finland OY  
02330 Espoo  
T +358 207401540  
wilo@wilo.fi

### France

Wilo Salmson France S.A.S.  
53005 Laval Cedex  
T +33 2435 95400  
info@wilo.fr

### Great Britain

WILO (U.K.) Ltd.  
Burton Upon Trent  
DE14 2WJ  
T +44 1283 523000  
sales@wilo.co.uk

### Greece

WILO Hellas SA  
4569 Anixi (Attika)  
T +302 10 6248300  
wilo.info@wilo.gr

### Hungary

WILO Magyarország Kft  
2045 Törökbálint  
(Budapest)  
T +36 23 889500  
wilo@wilo.hu

### India

Wilo Mather and Platt Pumps  
Private Limited  
Pune 411019  
T +91 20 27442100  
services@matherplatt.com

### Indonesia

PT. WILO Pumps Indonesia  
Jakarta Timur, 13950  
T +62 21 7247676  
citrawilo@cbn.net.id

### Ireland

WILO Ireland  
Limerick  
T +353 61 227566  
sales@wilo.ie

### Italy

WILO Italia s.r.l.  
Via Novegro, 1/A20090  
Segrate MI  
T +39 25538351  
wilo.italia@wilo.it

### Kazakhstan

WILO Central Asia  
050002 Almaty  
T +7 727 312 40 10  
info@wilo.kz

### Korea

WILO Pumps Ltd.  
20 Gangseo, Busan  
T +82 51 950 8000  
wilo@wilo.co.kr

### Latvia

WILO Baltic SIA  
1019 Riga  
T +371 6714-5229  
info@wilo.lv

### Lebanon

WILO LEBANON SARL  
Jdeideh 1202 2030  
Lebanon  
T +961 1 888910  
info@wilo.com.lb

### Lithuania

WILO Lietuva UAB  
03202 Vilnius  
T +370 5 2136495  
mail@wilo.lt

### Morocco

WILO Maroc SARL  
20250 Casablanca  
T +212 (0) 5 22 66 09 24  
contact@wilo.ma

### The Netherlands

WILO Nederland B.V.  
1551 NA Westzaan  
T +31 88 9456 000  
info@wilo.nl

### Norway

WILO Norge AS  
0975 Oslo  
T +47 22 804570  
wilo@wilo.no

### Poland

WILO Polska Sp. z o.o.  
5-506 Lesznowola  
T +48 22 7026161  
wilo@wilo.pl

### Portugal

Bombas Wilo-Salmson  
Sistemas Hidraulicos Lda.  
4475-330 Maia  
T +351 22 2080350  
bombas@wilo.pt

### Romania

WILO Romania s.r.l.  
077040 Com. Chiajna  
Jud. Ilfov  
T +40 21 3170164  
wilo@wilo.ro

### Russia

WILO Rus ooo  
123592 Moscow  
T +7 495 7810690  
wilo@wilo.ru

### Saudi Arabia

WILO Middle East KSA  
Riyadh 11465  
T +966 1 4624430  
wshoula@wataniaind.com

### Serbia and Montenegro

WILO Beograd d.o.o.  
11000 Beograd  
T +381 11 2851278  
office@wilo.rs

### Slovakia

WILO CS s.r.o., org. Zložka  
83106 Bratislava  
T +421 2 33014511  
info@wilo.sk

### Slovenia

WILO Adriatic d.o.o.  
1000 Ljubljana  
T +386 1 5838130  
wilo.adriatic@wilo.si

### South Africa

Wilo Pumps SA Pty LTD  
1685 Midrand  
T +27 11 6082780  
patrick.hulley@salmson.co.za

### Spain

WILO Ibérica S.A.  
8806 Alcalá de Henares  
(Madrid)  
T +34 91 8797100  
wilo.iberica@wilo.es

### Sweden

WILO NORDIC AB  
35033 Växjö  
T +46 470 727600  
wilo@wilo.se

### Switzerland

Wilo Schweiz AG  
4310 Rheinfelden  
T +41 61 836 80 20  
info@wilo.ch

### Taiwan

WILO Taiwan CO., Ltd.  
24159 New Taipei City  
T +886 2 2999 8676  
nelson.wu@wilo.com.tw

### Turkey

WILO Pompa Sistemleri  
San. ve Tic. A.Ş.  
34956 İstanbul  
T +90 216 2509400  
wilo@wilo.com.tr

### Ukraine

WILO Ukraine t.o.w. 08130  
Kiew  
T +38 044 3937384  
wilo@wilo.ua

### United Arab Emirates

WILO Middle East FZE Jebel  
Ali Free zone – South PO  
Box 262720 Dubai  
T +971 4 880 91 77  
info@wilo.ae

### USA

WILO USA LLC Rosemont,  
IL 60018  
T +1 888 945 6872  
info@wilo-usa.com

### Vietnam

WILO Vietnam Co Ltd. Ho  
Chi Minh City, Vietnam T  
+84 8 38109975  
nkminh@wilo.vn

**wilo**

© LUNDA

Pioneering for You

WILO SE  
Nortkirchenstraße 100  
D-44263 Dortmund  
Germany  
T +49(0)231 4102-0  
F +49(0)231 4102-7363  
wilo@wilo.com  
www.wilo.com