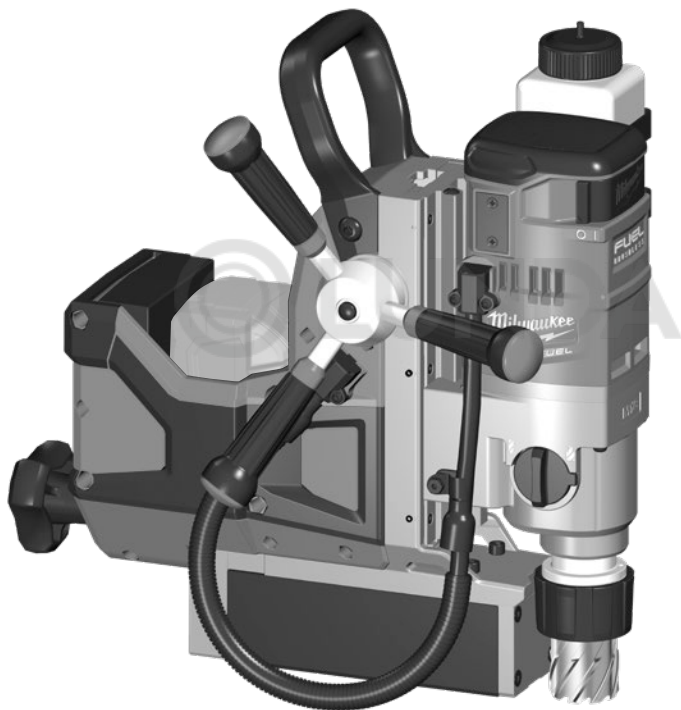


# Milwaukee®

Nothing but **HEAVY DUTY**.®



## M18 FMDP

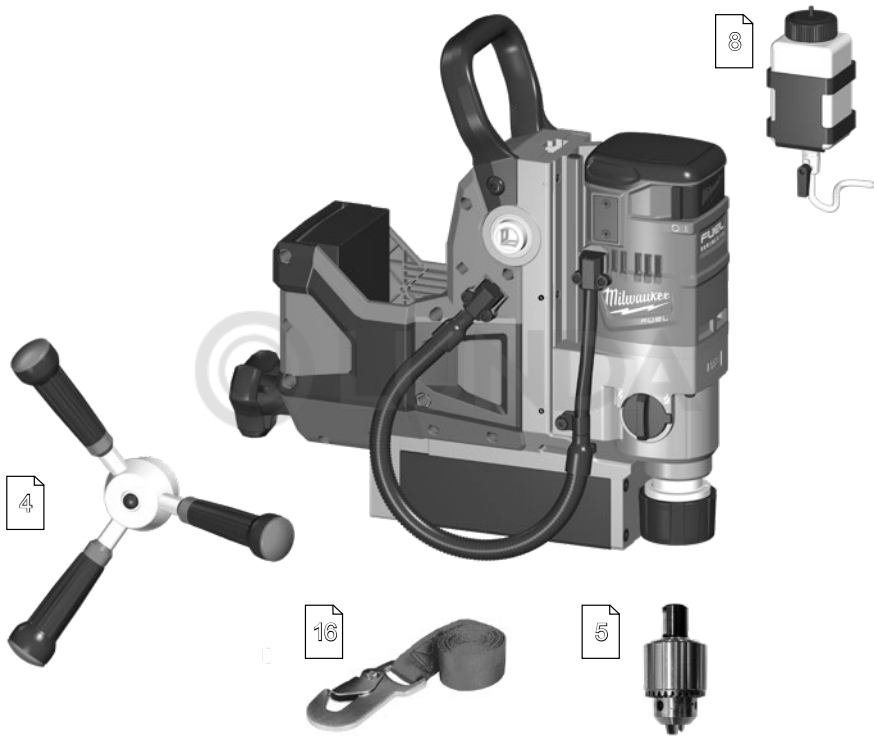
Original instructions  
Originalbetriebsanleitung  
Notice originale  
Istruzioni originali  
Manual original  
Manual original  
Oorspronkelijke gebruiksaanwijzing  
Original brugsanvisning  
Original bruksanvisning  
Bruksanvisning i original

Alkuperäiset ohjeet  
Πρωτότυπο οδηγίων χρήσης  
Original isletme talimatı  
Původním návodem k používání  
Pôvodný návod na použitie  
Instrukcją oryginalną  
Eredeti használati utasítás  
Izvirna navodila  
Originalne pogonske upute  
Instrukcijām oriģinālvalodā  
Originalni instrukcija

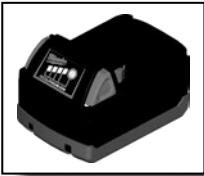
Algupärane kasutusjuhend  
Оригинальное руководство по эксплуатации  
Οριγiναινο ρυκoυoδoστω οα εκπλοατακια  
Οριγiναινο ρυκoυoδoστω οα εκπλοατακια  
Instrucțiuni de folosire originale  
Оригiнαιлен прирачник за работа  
Оригiнαιл iнструкциї з експлоатації  
التعليمات الأصلية

Technical Data, Safety Instructions, Specified Conditions of Use, EC-Declaration of Conformity, Batteries, Maintenance, Symbols	Please read and save these instructions!	<b>English</b>	<b>20</b>
Technische Daten, Sicherheitshinweise, Bestimmungsgemäße Verwendung, CE-Konformitätserklärung, Akku, Wartung, Symbole	Bitte lesen und aufbewahren!	<b>Deutsch</b>	<b>24</b>
Caractéristiques techniques, Instructions de sécurité, Utilisation conforme aux prescriptions, Déclaration CE de Conformité, Accus, Entretien, Symboles	A lire et à conserver soigneusement	<b>Français</b>	<b>28</b>
Dati tecnici, Norme di sicurezza, Utilizzo conforme, Dichiarazione di Conformità CE, Batterie, Manutenzione, Simboli	Si prega di leggere e conservare le istruzioni!	<b>Italiano</b>	<b>32</b>
Datos técnicos, Instrucciones de seguridad, Aplicación de acuerdo a la finalidad, Declaración de Conformidad CE, Batería, Mantenimiento, Símbolos	Lea y conserve estas instrucciones por favor!	<b>Español</b>	<b>36</b>
Características técnicas, Instruções de segurança, Utilização autorizada, Declaração de Conformidade CE, Acumulador, Manutenção, Símbolo	Por favor leia e conserve em seu poder!	<b>Português</b>	<b>40</b>
Technische gegevens, Veiligheidsadviezen, Voorgeschreven gebruik van het systeem, EC-Konformiteitsverklaring, Akku, Onderhoud, Symbolen	Lees en let goed op deze adviezen!	<b>Nederlands</b>	<b>44</b>
Tekniske data, Sikkerhedshenvisninger, Tiltænk formål, CE-Konformitetserklæring, Batteri, Vedligeholdelse, Symboler	Vær venlig at læse og opbevare!	<b>Dansk</b>	<b>48</b>
Tekniske data, Spesielle sikkerhetshenvisninger, Formålsmessig bruk, CE-Samsvarserklæring, Batterier, Vedlikehold, Symboler	Vennligst les og oppbevar!	<b>Norsk</b>	<b>51</b>
Tekniska data, Säkerhetsutrustning, Använd maskinen Enligt anvisningarna, CEFörsäkran, Batterier, Skötsel, Symboler	Läs igenom och spara!	<b>Svenska</b>	<b>54</b>
Tekniset arvot, Turvallisuusohjeet, Tarkoituksenmukainen käyttö, Todistus CE-standardinmukaisuudesta, Akku, Huolto, Symbolit	Lue ja säilytä!	<b>Suomi</b>	<b>57</b>
Τεχνικά στοιχεία, Ειδικές υποδείξεις ασφαλείας, Χρήση σύμφωνα με το σκοπό προοριζομένου, Δήλωση πιστότητας ΕΚ, Μπαταρίες, Χαρακτηριστικά, Συντήρηση, Σύμβολα.	Παρακαλώ διαβάστε τις και φυλάξτε τις!	<b>Ελληνικά</b>	<b>60</b>
Teknik veriler, Güvenliğinizi için talimatlar, Kullanım, CE uygunluk beyanince, Akü, Bakım, Semboller	Lütfen okuyun ve saklayın	<b>Türkçe</b>	<b>64</b>
Technická data, Speciální bezpečnostní upozornění, Oblast využití, Ce-prohlášení o shodě, Akumulátory, Údržba, Symboly	Po přečtení uschovejte	<b>Česky</b>	<b>68</b>
Technické údaje, Špeciálne bezpečnostné pokyny, Použitie podľa a predpisov, CE-Vyhľadanie konformity, Sieťová prípojka, Údržba, Symboly	Prosím prečítať a uschovať!	<b>Slovensky</b>	<b>71</b>
Dane techniczne, Specjalne zalecenia dotyczace bezpieczenstwa, Uzytkowanie zgodne z przeznaczeniem, Swiadectwo zgodnosci ce, Podlaczenie do sieci, Gwarancja, Symbole	Należy uważnie przeczytać i zachować do wglądu!	<b>Polski</b>	<b>75</b>
Műszaki adatok, Különleges biztonsági tudnivalók, Rendeltetésszerű használat, Ce-azonossági nyilatkozat, Hálózati csatlakoztatás, Karbantartás, Szimbólumok	Olvassa el és őrizze meg	<b>Magyar</b>	<b>79</b>
Tehnični podatki, Specialni varnostni napotki, Uporaba v skladu z namembnostjo, Ce-izjava o konformnosti, Omežni priključek, Vzdrževanje, Simboli	Prosimo preberite in shranite!	<b>Slovensko</b>	<b>83</b>
Tehnički podaci, Specijalne sigurnosne upute, Propisna upotreba, Ce-izjava konformnosti, Priključak na mrežu, Održavanje, Simboli	Molimo pročitati i sačuvati	<b>Hrvatski</b>	<b>86</b>
Tehniskie dati, Speciālie drošības noteikumi, Noteikumiem atbilstošs izmantojums, Atbilstība CE normām, Tikla pieslēgums, Apkope, Simboli	Pielikums lietošanas pamācībai	<b>Latviski</b>	<b>89</b>
Techniniai duomenys, Ypatingos saugumo nuorodos, Naudojimas pagal paskirti, CE Atitikties pareiškimas, Elektros tinklo jungtis, Techninis aptarnavimas, Simboliai	Prašome perskaityti ir neišmesti!	<b>Lietuviškai</b>	<b>92</b>
Tehnilised andmed, Spetsiaalsed turvajuhised, Kasutamine vastavalt otstarbele, EÜ Vastavusavaldus, Võrku ühendamine, Hooldus, Sümbolid	Palun lugege läbi ja hoidke alal!	<b>Eesti</b>	<b>95</b>
Технические данные, Рекомендации по технике безопасности, Использо- вание, Подключение к электросети, Обслуживание, Символы	Пожалуйста прочтите и сохраните эту инструкцию.	<b>Русский</b>	<b>98</b>
Технически данни, Специални указания за безопасност, Използване по предназначение, CE-Декларация за съответствие, Свързване към мрежата, Поддръжка, Символи	Моля прочетете и запазете!	<b>Български</b>	<b>102</b>
Date tehnice, Instrucțiuni de securitate, Condiții de utilizare specificate, Declarație de conformitate, Acumulatori, Întreținere, Simboluri	Va rugăm citiți și păstrați aceste instrucțiuni	<b>Română</b>	<b>106</b>
Технички Податоци, Упатство За Употреба, Специфицирани Услови На Употреба, Еу-декларација За Сообразност, БАТЕРИИ, Одржување, Символи	Ве молиме прочитајте го и чувајте го ова упатство!	<b>Македонски</b>	<b>110</b>
Технічні характеристики, Вказівки З Техніки Безпеки, Використання за призначенням, Сертифікат Відповідності Вимогам Єс, Акумуляторна, Обслуговування, Символи	Прочитайте та збережіть цю інструкцію.	<b>Українська</b>	<b>114</b>
تعليمات السلامة، شروط الاستخدام المحددة، البطاريات، إعلان المطابقة - الاتحاد الأوروبي، الصيغة، الرموز	يُرجى قراءة وحفظ هذه التعليمات!	<b>العربية</b>	<b>120</b>





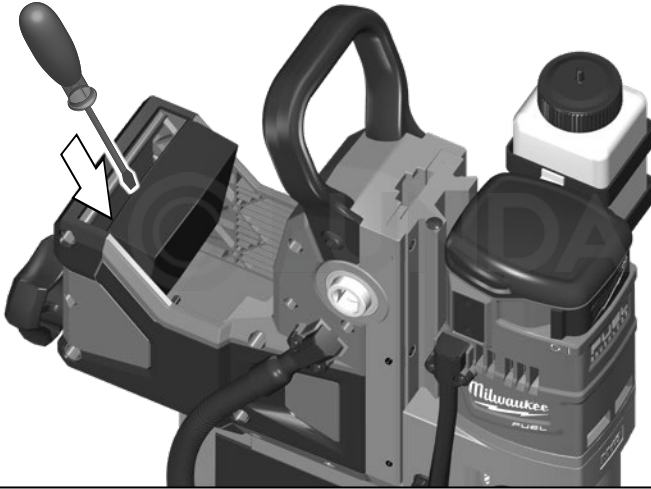




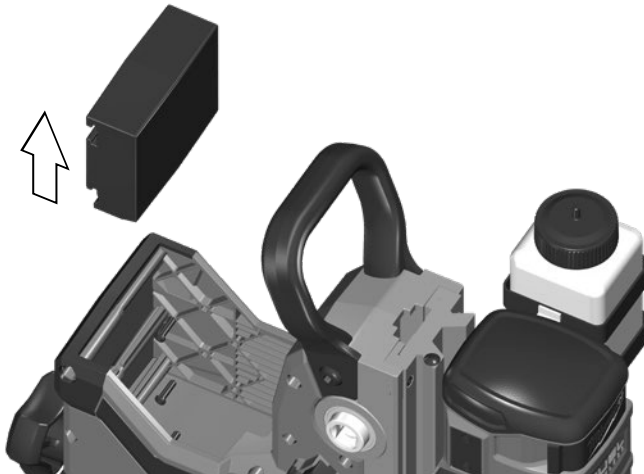
**M18B9 / 9,0 Ah**  
**M18HB / 12,0 Ah**

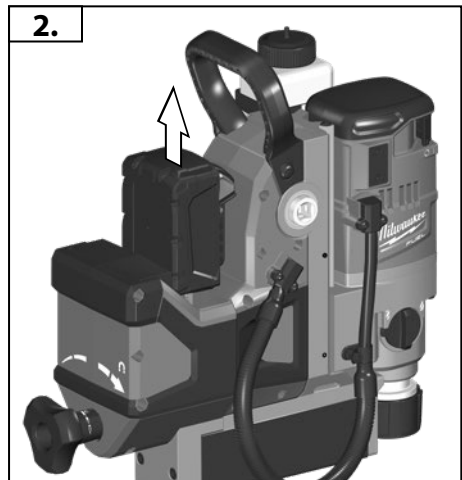
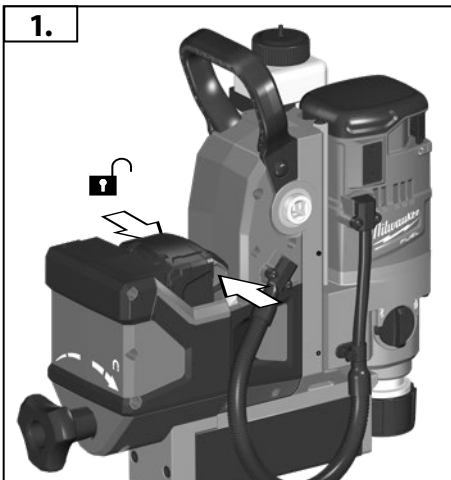
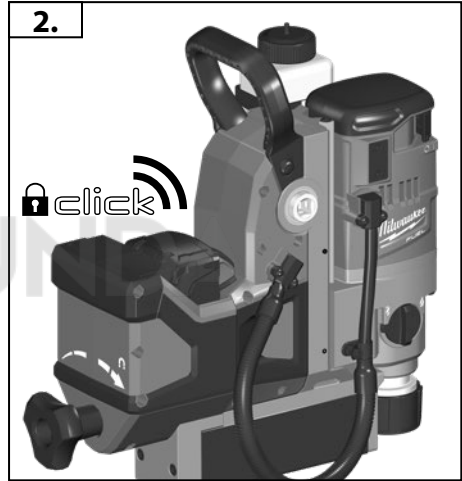
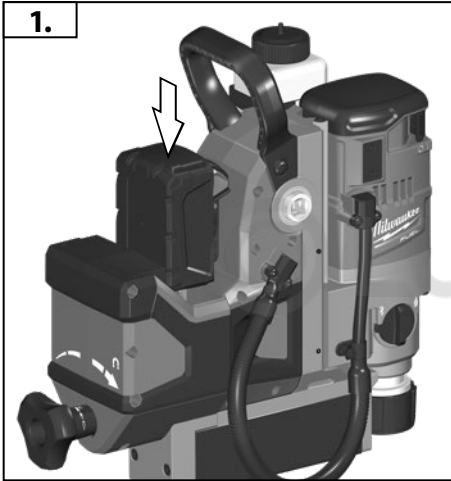
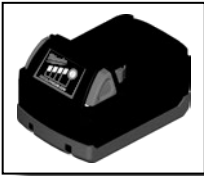


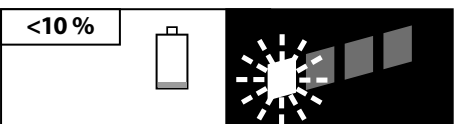
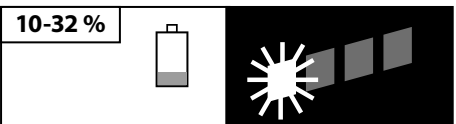
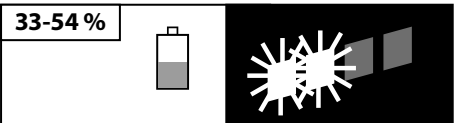
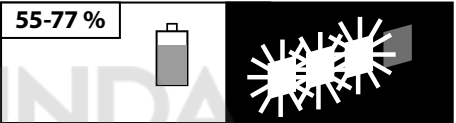
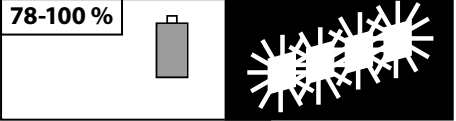
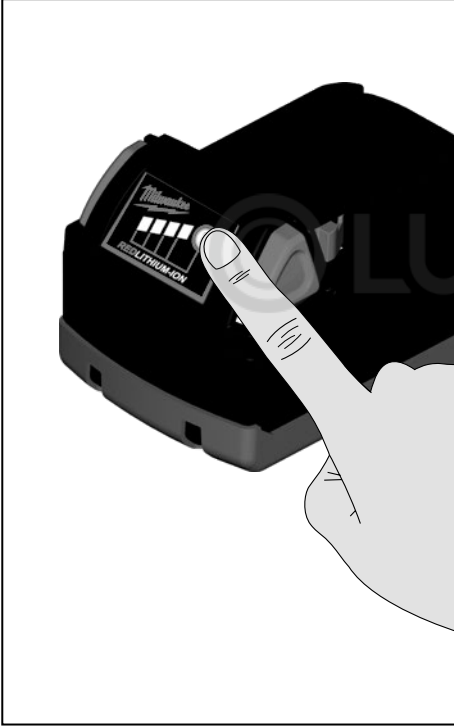
1.

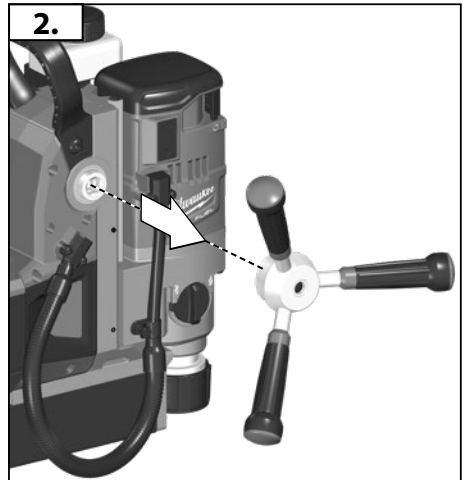
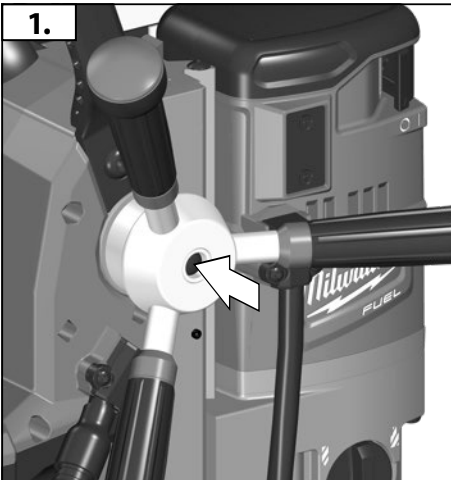
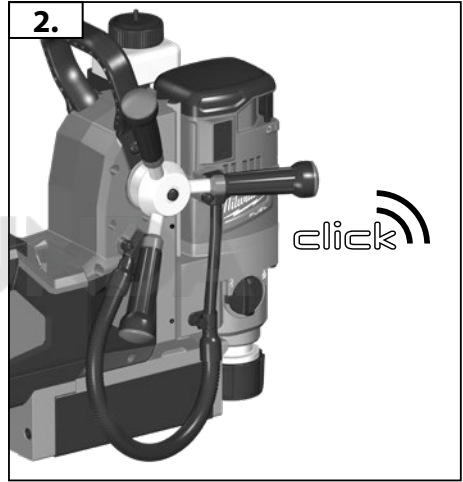
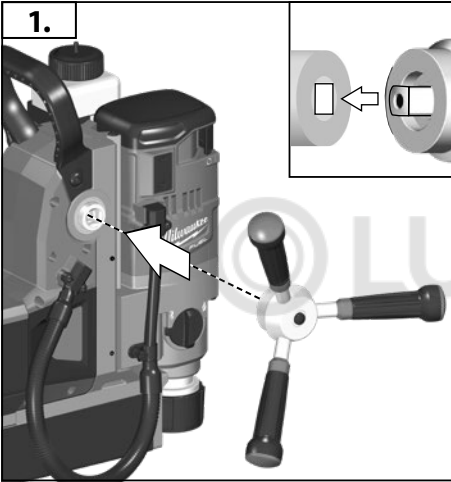
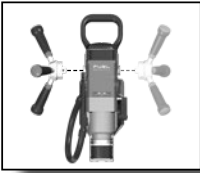


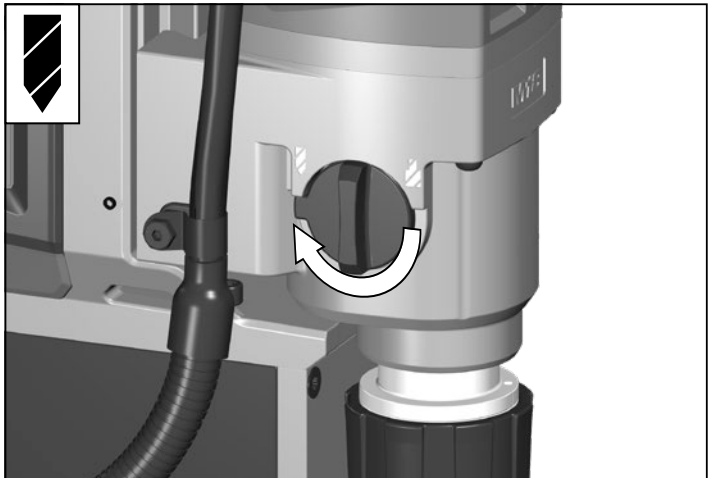
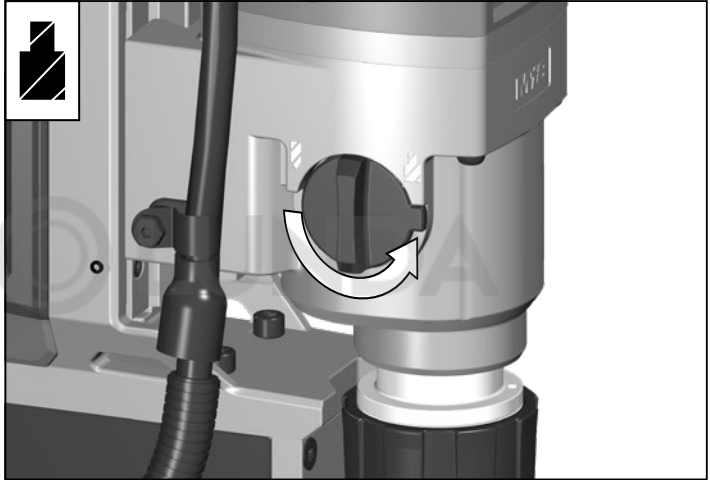
2.

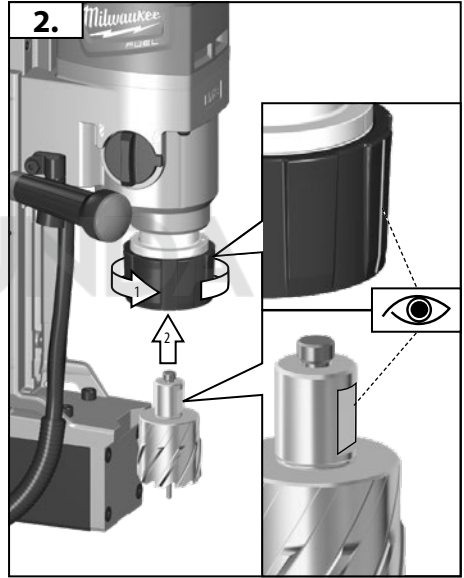
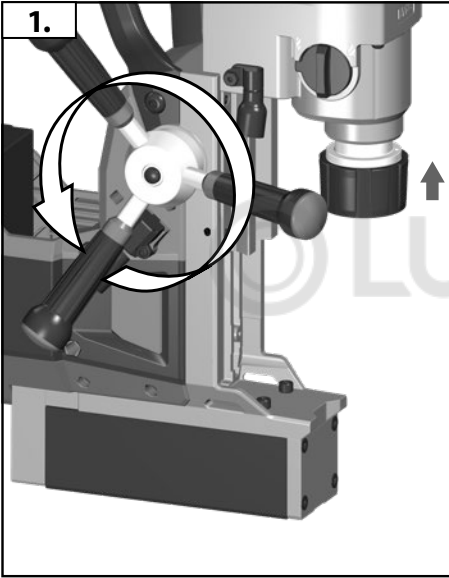




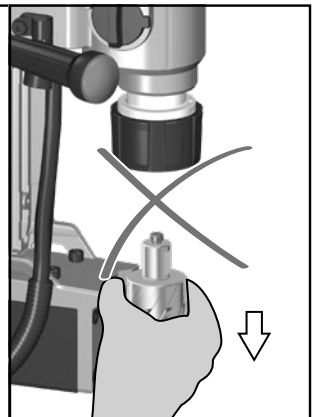
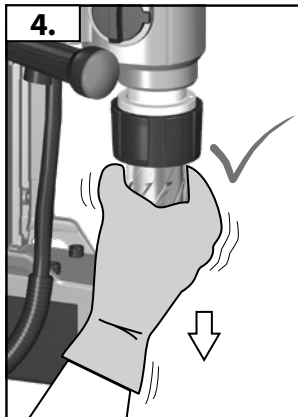
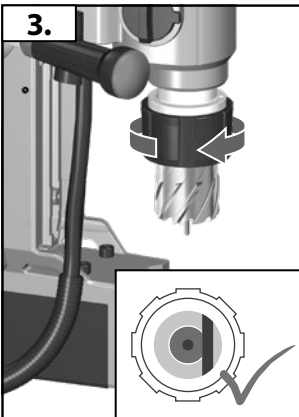


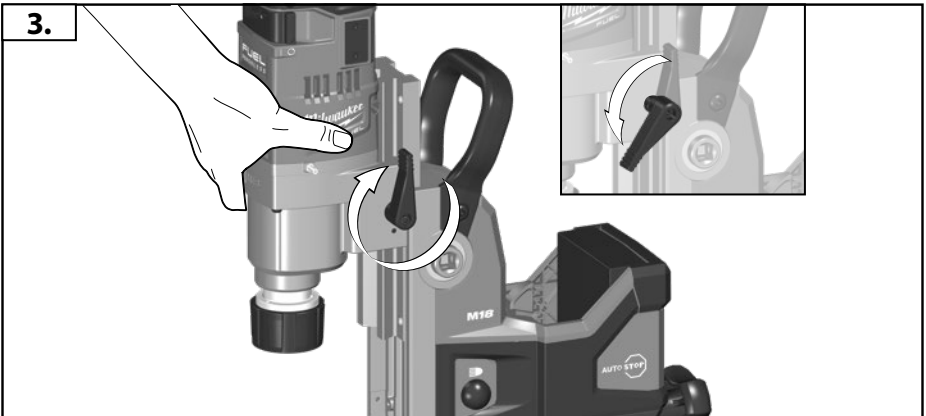
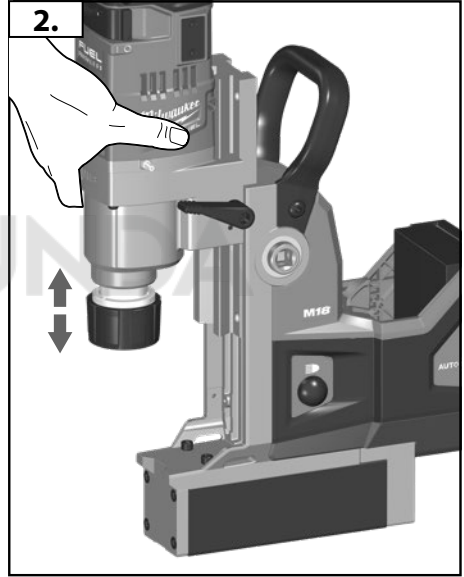
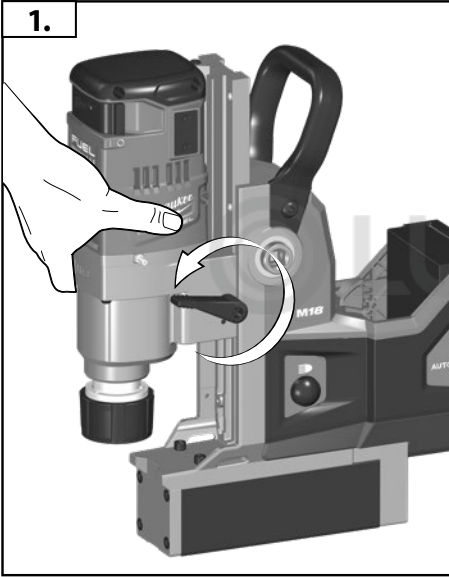
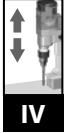
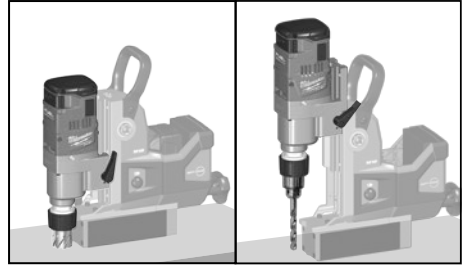
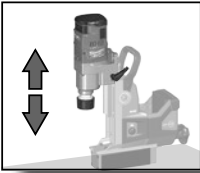






III



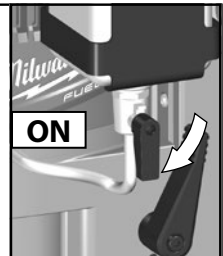
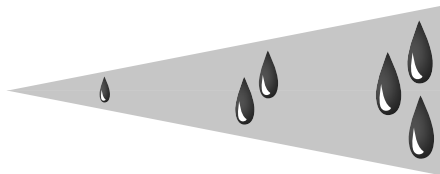
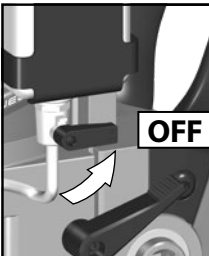
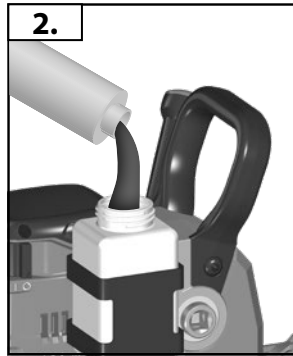
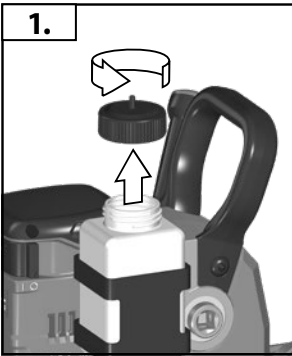
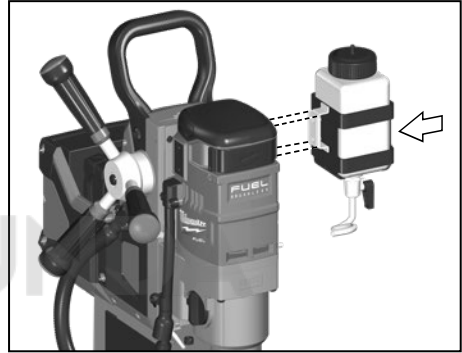
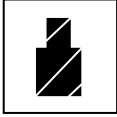


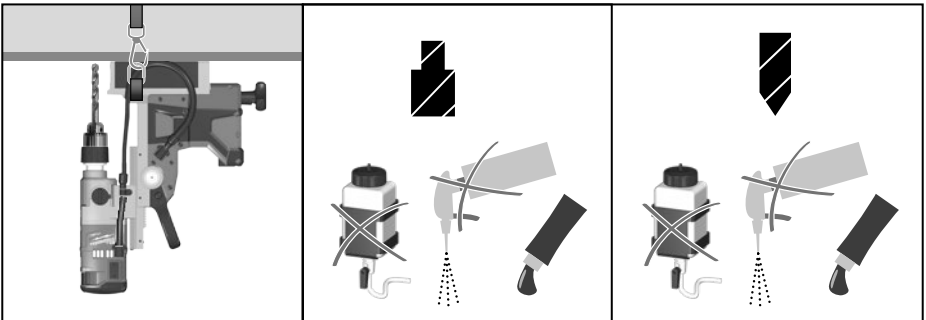
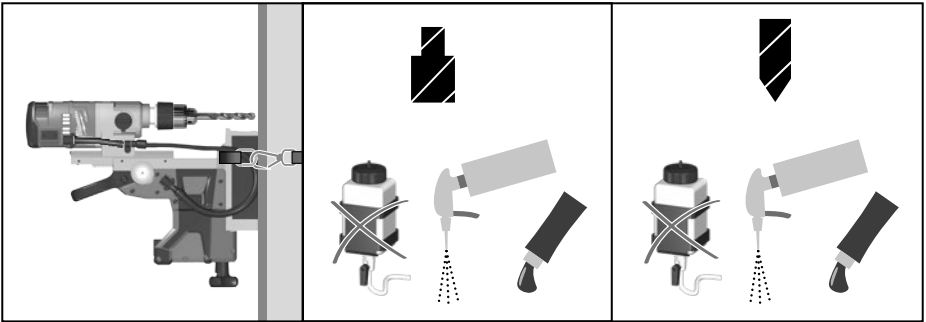
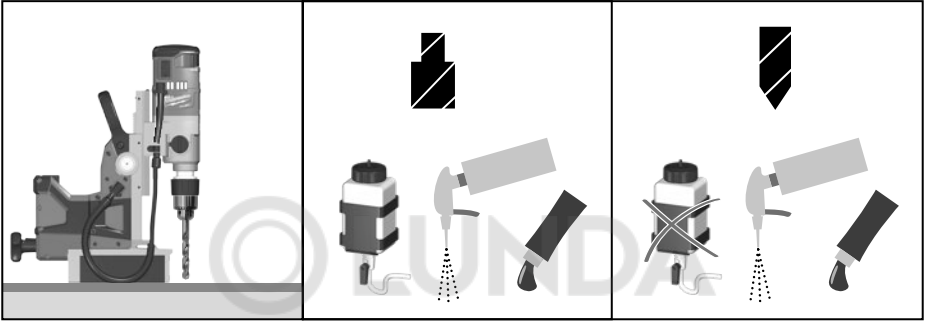
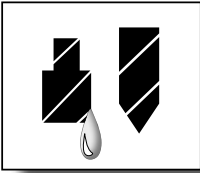


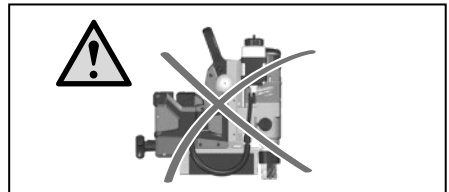
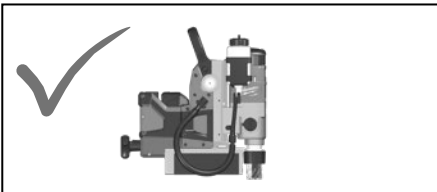
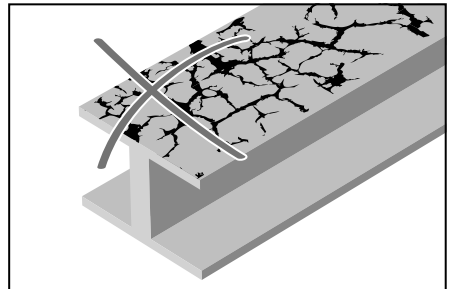
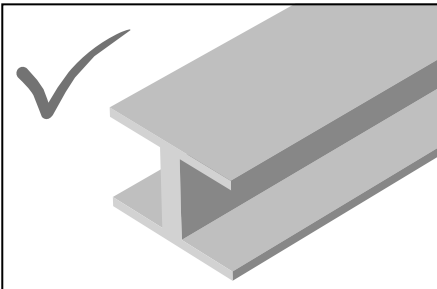
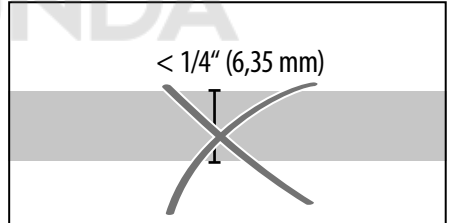
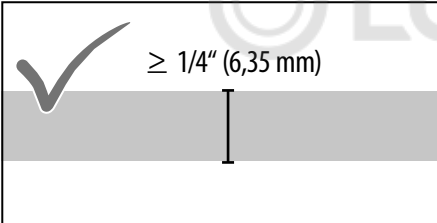
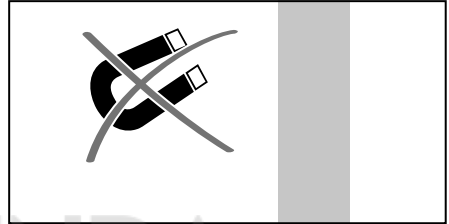
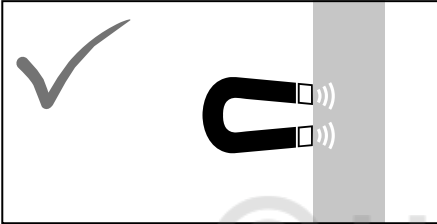
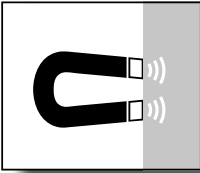
Cutting fluid  
Schneidflüssigkeit  
Liquide de coupe  
Liquido da taglio  
Lubricante de corte  
Líquido de corte  
Snijvloestof

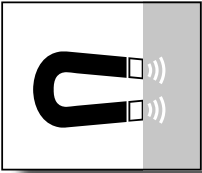
Skærevæske  
Skjærevæske  
Skjærvætska  
Leikkuuneste  
Υγρό κοπής  
Kesme sivisi  
Řezná kapalina

Chłodziwo  
wágófolyadék  
Жидкость для резания  
Рідина для змащування  
та охолодження  
سائل تبريد القطع

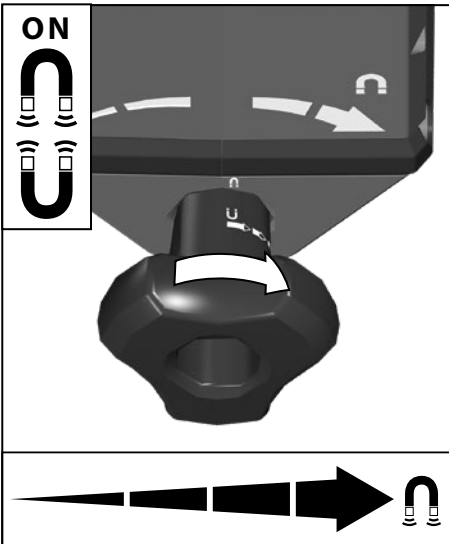
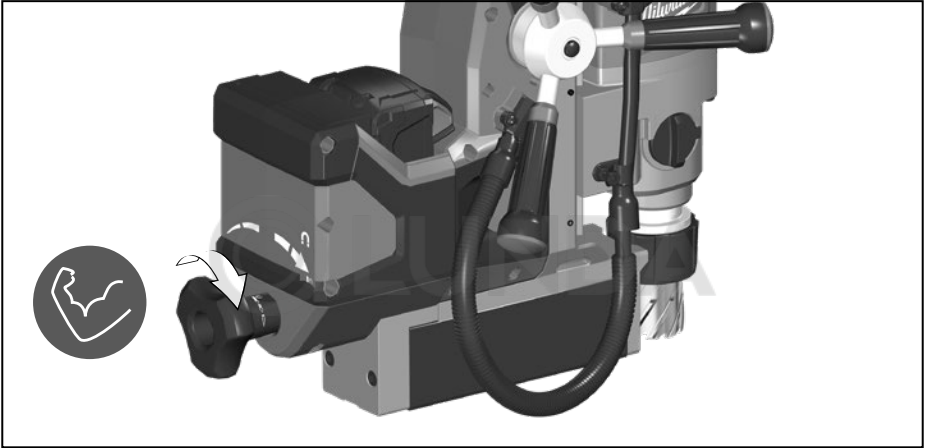


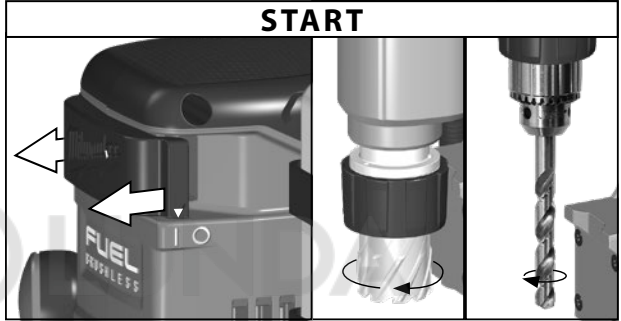
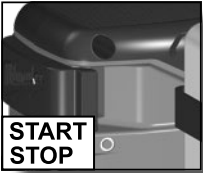




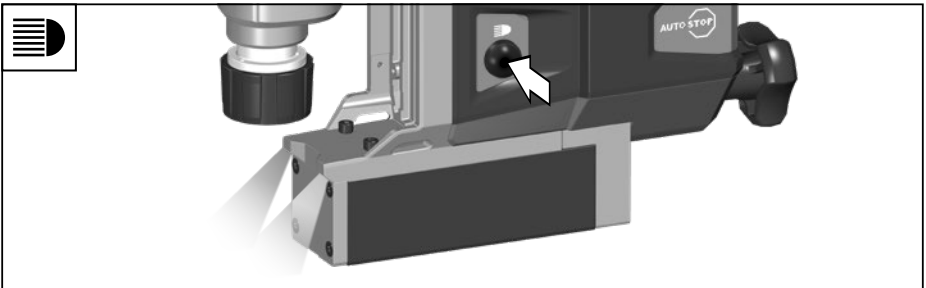
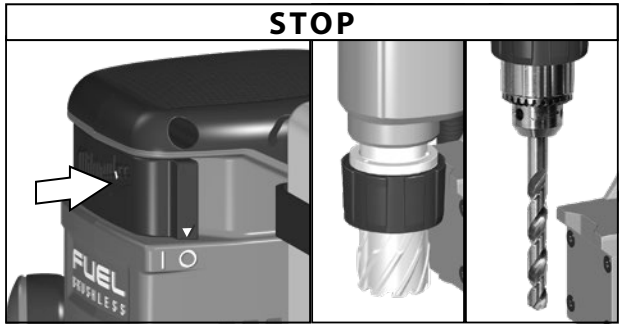


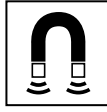
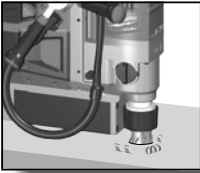
VI



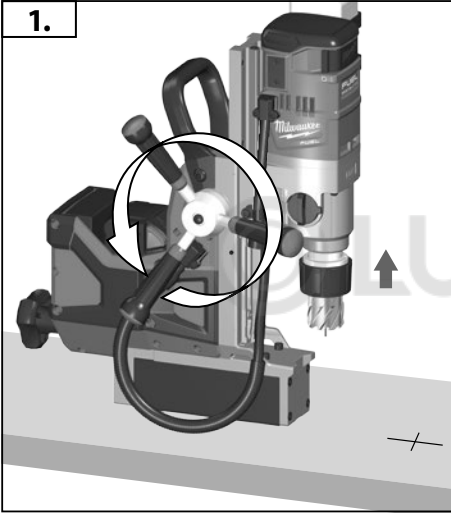


START  
STOP  
VII

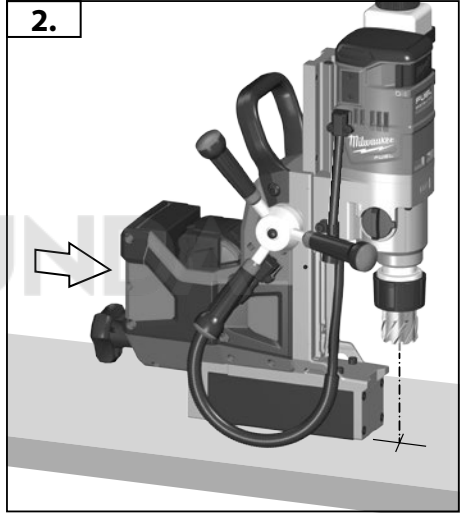




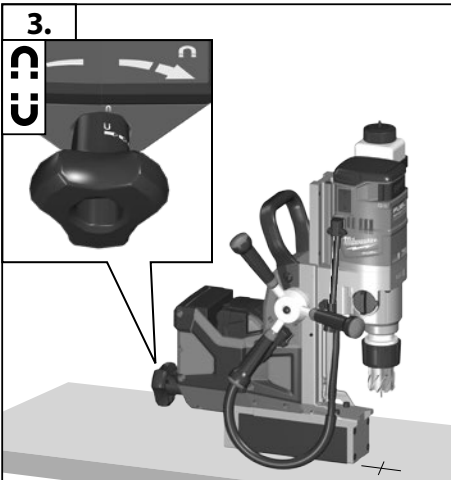
1.



2.

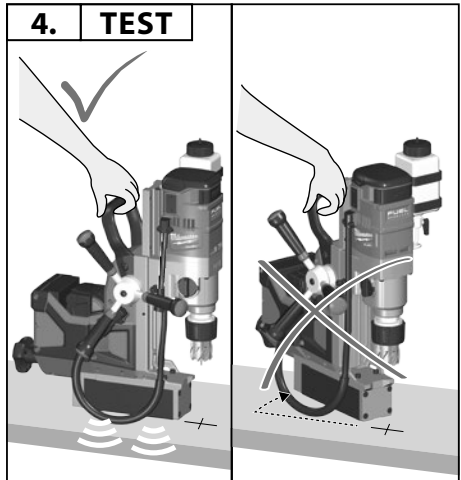


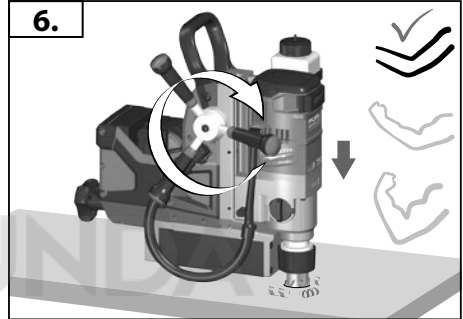
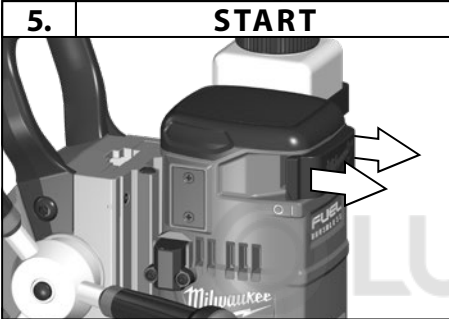
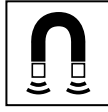
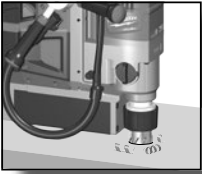
3.



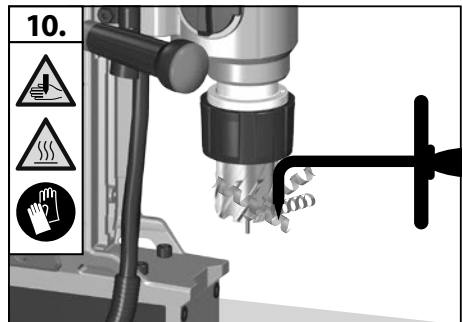
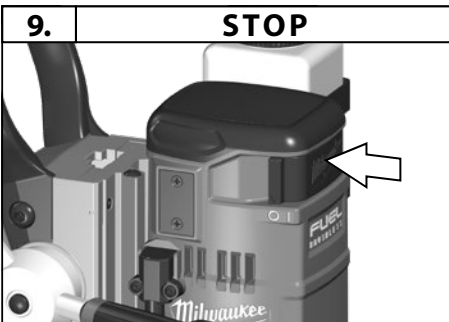
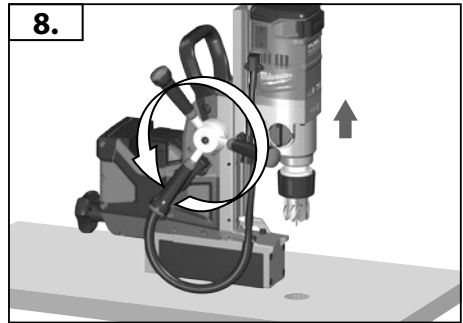
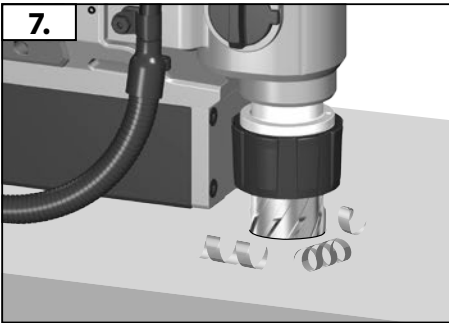
4.

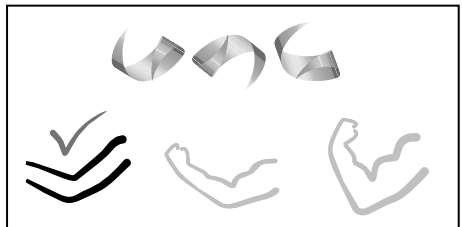
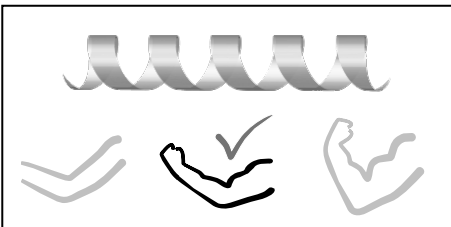
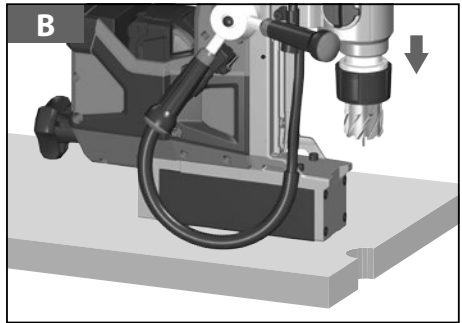
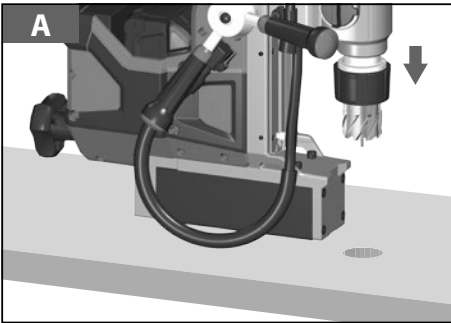
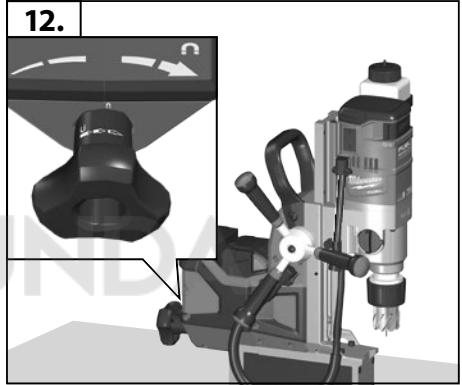
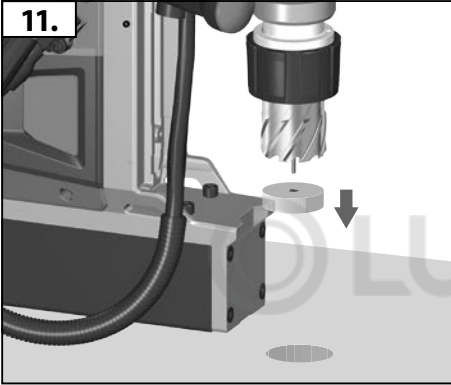
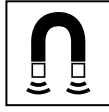
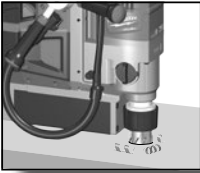
TEST

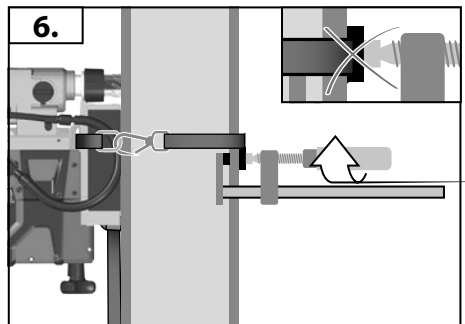
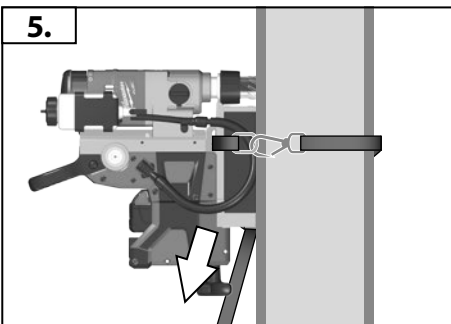
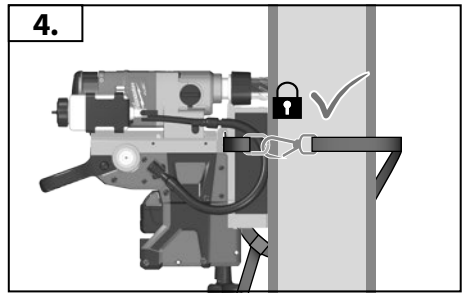
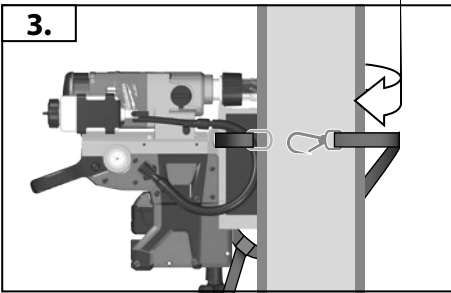
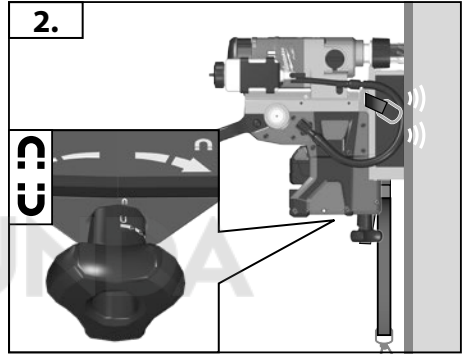
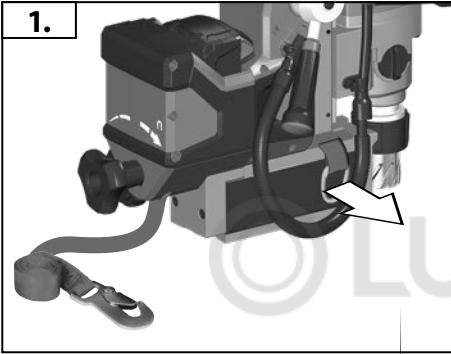
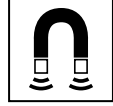
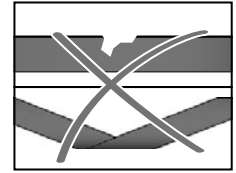
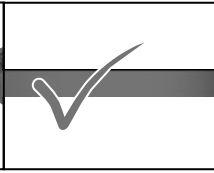
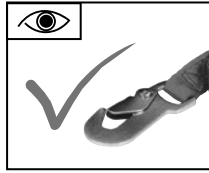
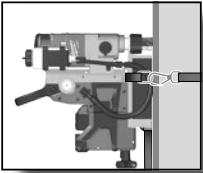


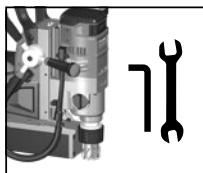


VIII





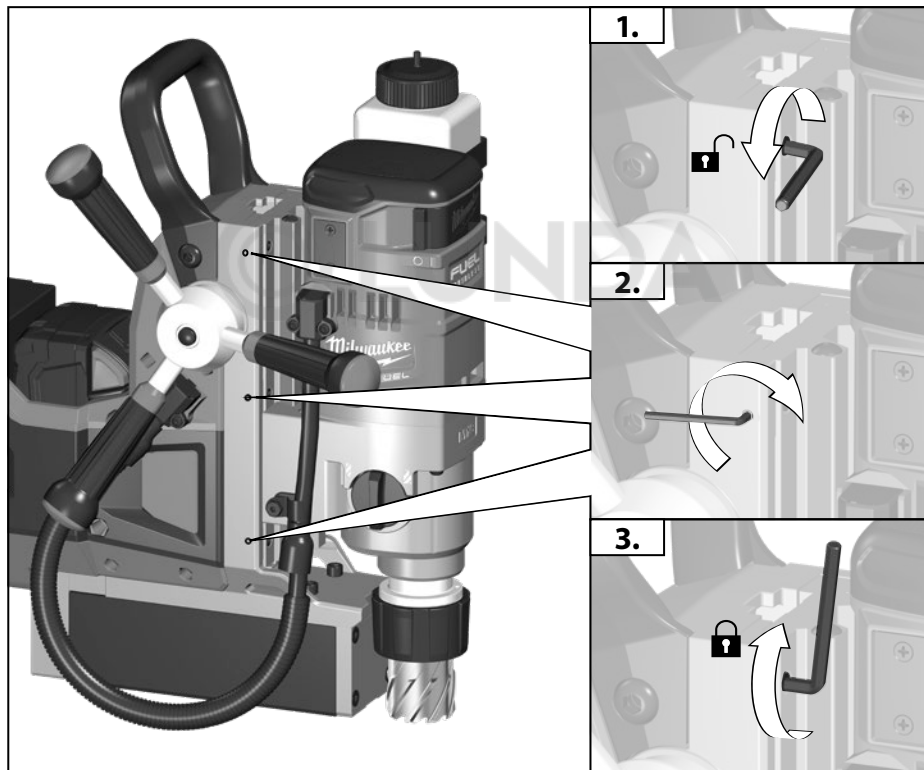


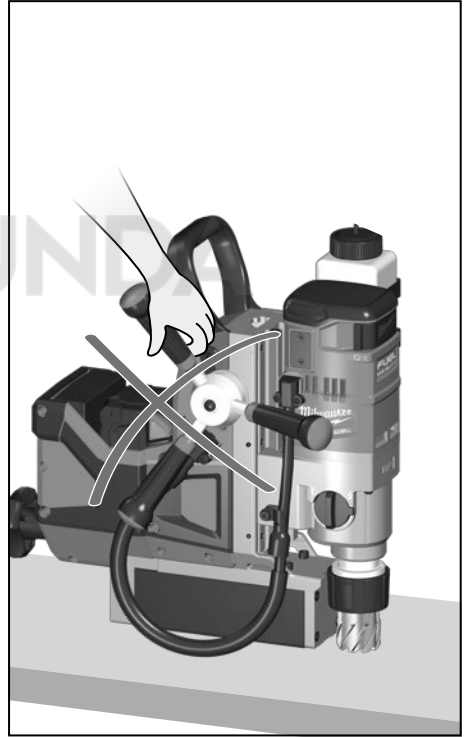
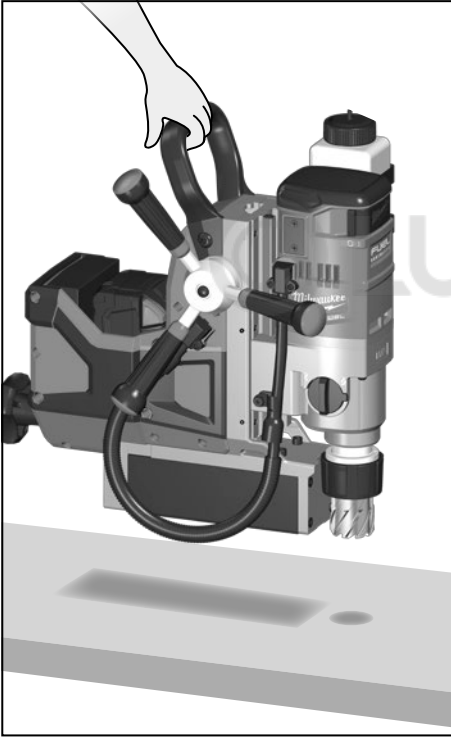
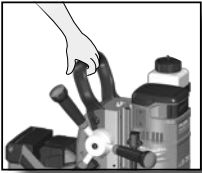


Setting the free motion of the slide  
Schlittenspiel einstellen  
Réglage du jeu du chariot  
Regolazione del libero movimento dello scorrimento  
Ajuste del movimiento libre de deslizamiento  
Ajuste do movimento livre da calha de posicionamento

Geleideslede instellen  
Indstilling af slædeslø  
Instilling av sledens spillerom  
Justering av spel mellan släde och stativ  
Kelkan vapaan liikkuma-alueen asetus  
Ρυθμίζετε ανοχή ολισθητήρα  
Ayarlanabilir kızak kılavuzu

Nastavení vůle suportu  
Ustawić luz sań  
A szánjáték beállítása  
Настройка свободного хода каретки  
Регулювання просвітів ползків  
ضبط الحركة الحرة للشريحة





XI

TECHNICAL DATA Magnetic core drilling machine	M18 FMDP
Production code	4692 83 02... ... 000001-999999
Battery voltage	18 V
No-load speed	400 min <sup>-1</sup> 690 min <sup>-1</sup>
Lengths of stroke	146 mm
Max. magnetic power	8,89 kN
Spindle receiver	19 mm Weldon
Drill diameter max. with core hole drill bit	38 mm
Drill diameter max. with solid drill bit	13 mm
Weight according EPTA-Procedure 01/2014 (Li-Ion 2,0 Ah ... 12,0 Ah)	13,9 ... 14,5 kg
Recommended Ambient Operating Temperature	-18°C ... +50°C
Recommended battery types	M18B..., M18HB...
Recommended charger	M12-18..., M1418 C6
<b>Noise information</b>	
Measured values determined according to EN 62841. Typically, the A-weighted noise levels of the tool are:	
Sound pressure level (Uncertainty K=3dB(A))	82,4 dB(A)
Sound power level (Uncertainty K=3dB(A))	93,4 dB(A)
<b>Wear ear protectors!</b>	
<b>Vibration information</b>	
Vibration total values (triaxial vector sum) determined according to EN 62841	
Vibration emission value a <sub>v</sub> (Li-Ion 2,0 Ah)	1,69 m/s <sup>2</sup>
Uncertainty K=	1,5 m/s <sup>2</sup>



## WARNING

The vibration emission level given in this information sheet has been measured in accordance with a standardised test given in EN 62841 and may be used to compare one tool with another. It may be used for a preliminary assessment of exposure.

The declared vibration emission level represents the main applications of the tool. However if the tool is used for different applications, with different accessories or poorly maintained, the vibration emission may differ. This may significantly increase the exposure level over the total working period.

An estimation of the level of exposure to vibration should also take into account the times when the tool is switched off or when it is running but not actually doing the job. This may significantly reduce the exposure level over the total working period.

Identify additional safety measures to protect the operator from the effects of vibration such as: maintain the tool and the accessories, keep the hands warm, organisation of work patterns.



### WARNING!

**Read all safety warnings, instructions, illustrations and specifications provided with this power tool.** Failure to follow the warnings and instructions may result in electric shock, fire and/or serious injury.

**Save all warnings and instructions for future reference.**



### MAGNETIC CORE DRILLING MACHINE SAFETY WARNINGS

Always use the protective shields on the machine. Use protective equipment. Always wear safety glasses when working with the machine. The use of protective clothing is recommended, such as dust mask, protective gloves, sturdy non-slip footwear, helmet and ear defenders.

Never reach into the danger area of the machine when it is running.

Chips and splinters must not be removed while the machine is running.

Do not use a damaged accessory.

Clamp or otherwise secure the workpiece. To reduce the risk of injury, do not hold workpiece by hand.

**WARNING!** Wet connections are shock hazards.

Do not use cutting fluid in an overhead or any other position that allows cutting fluid to enter motor or switch enclosure.

**WARNING!** To reduce the risk of fire, personal injury, and product damage due to a short circuit, never immerse your tool, battery pack or charger in fluid or allow a fluid to flow inside them.

Corrosive or conductive fluids, such as seawater, certain industrial chemicals, and bleach or bleach containing products, etc., Can cause a short circuit.

Never break open battery packs and chargers and store only in dry rooms. Keep dry at all times.

To avoid injury and damage, never immerse the tool, removable battery or charger in liquid or allow liquid to penetrate them.

Use only System M18 chargers for charging System M18 battery packs. Do not use battery packs from other systems.

### SPECIFIED CONDITIONS OF USE

The drill stand is suited for drilling large holes in steel and other ferrous metals.

### WORKING INSTRUCTIONS

The electromagnetic drill press attaches magnetically to 6,35 mm or thicker ferrous stock. Do not use on stock less than 6,35 mm. The magnetic base WILL NOT hold on nonmagnetic grades of stainless steel.

The substrate under the drill stand has to be clean, firm, smooth, dry, without polish and not have any holes in it.

Do not expose the drill stand to rain and do not use in damp or non-flameproof rooms.

Keep constant pressure throughout the entire operation to prevent chips and burrs from falling under the cutting edges. Cutting debris under the cutter can make cutting difficult or impossible.

#### WARNING!

Excessive force will break magnet free.

Avoid contact with cutter tips. Periodically inspect the cutter tips for loose or damaged tips.

The use of cutting fluid is recommended for long life of these cutters.

Secure the magnetic drill stand with the provided safety harness when working slanting or vertical surfaces, or overhead such that it won't fall down in case of power loss.

The safety harness must be applied such that the drill stand will move away from the user in case of power loss.

Check safety belt for any damage and wear before every use. Do not use defective safety belts!

The insertion tool may become hot during use.

#### WARNING! Danger of burns

- when changing tools
- when setting the device down

Do not remove cutter unless slug is removed. Slug may eject unexpectedly.

### AUTO-STOP

AUTO-STOP switches the machine off automatically if there is a too high, jerky operating torque on the magnet. Determine and rectify the cause of the automatic stop by referring to the safety information.

Possible causes can be:

- breakage of the material to be used
- excess load of the electric tool as a result of too high a feed rate
- unclean magnetic surface

Switch the machine off and then switch it back on again.

### RESTART CUTOUT

If the machine is still switched on it will not restart after a power failure. To restart it the machine must be switched off and then on again.

### MOTOR/MAGNET INTERLOCK

The motor/magnet interlock is a feature that prevents power from being applied to the drill motor if the magnet is not energized. The motor magnet interlock also prevents the magnet from being de-energized while the motor is running.

### EC-DECLARATION OF CONFORMITY

We declare under our sole responsibility that the product described under "Technical Data" fulfills all the relevant provisions of the directives

2011/65/EU (RoHS)

2006/42/EC

2014/30/EU

and the following harmonized standards

EN 62841-1:2015

EN 55014-1:2017+A11 2020

EN 55014-2:2015

EN IEC 63000:2018

have been used.



Winnenden, 2020-11-10

Alexander Krug / Managing Director  
Authorized to compile the technical file

Techtronic Industries GmbH

Max-Eyth-Straße 10, 71364 Winnenden, Germany

### GB-DECLARATION OF CONFORMITY

We declare as the manufacturer under our sole responsibility that the product described under „Technical Data“ fulfills all the relevant provisions of the following Regulations

S.I. 2012/3032 (as amended), S.I. 2008/1597 (as amended),

S.I. 2016/1091 (as amended) and that the following designated

standards have been used:

BS EN 62841-1:2015

BS EN 55014-1:2017+A11:2020

BS EN 55014-2:2015

BS EN IEC 63000:2018

have been used.

Winnenden, 2020-11-10

Alexander Krug / Managing Director  
Authorized to compile the technical file

Techtronic Industries GmbH

Max-Eyth-Straße 10, 71364 Winnenden, Germany

### BATTERIES

Battery packs which have not been used for some time should be recharged before use.

Temperatures in excess of 50°C (122°F) reduce the performance of the battery pack. Avoid extended exposure to heat or sunshine (risk of overheating).

The contacts of chargers and battery packs must be kept clean.

For an optimum life-time, the battery packs have to be fully charged, after use.

To obtain the longest possible battery life remove the battery pack from the charger once it is fully charged.



For battery pack storage longer than 30 days: Store the battery pack where the temperature is below 27°C and away from moisture. Store the battery packs in a 30% - 50% charged condition. Every six months of storage, charge the pack as normal.

Do not dispose of used battery packs in the household refuse or by burning them. Milwaukee Distributors offer to retrieve old batteries to protect our environment.

Do not store the battery pack together with metal objects (short circuit risk).

No metal parts must be allowed to enter the battery section of the charger (short circuit risk).

Battery acid may leak from damaged batteries under extreme load or extreme temperatures. In case of contact with battery acid wash it off immediately with soap and water. In case of eye contact rinse thoroughly for at least 10 minutes and immediately seek medical attention.



### BATTERY PACK PROTECTION

In extremely high torque, binding, stalling and short circuit situations that cause high current draw, the tool will vibrate for about 5 seconds, the fuel gauge will flash, and then the tool will turn OFF. To reset, release the trigger. Under extreme circumstances, the internal temperature of the battery pack could raise too much. If this happens, the fuel gauge will flash until the battery pack cooled down. After the lights go off, the work may continue.

Place the battery on the charger to charge and reset it.

### TRANSPORTING LITHIUM BATTERIES

Lithium-ion batteries are subject to the Dangerous Goods Legislation requirements.

Transportation of those batteries has to be done in accordance with local, national and international provisions and regulations.

The user can transport the batteries by road without further requirements.

Commercial transport of Lithium-Ion batteries by third parties is subject to Dangerous Goods regulations. Transport preparation and transport are exclusively to be carried out by appropriately trained persons and the process has to be accompanied by corresponding experts.

When transporting batteries:

Ensure that battery contact terminals are protected and insulated to prevent short circuit.

Ensure that battery pack is secured against movement within packaging.

Do not transport batteries that are cracked or leak.

Check with forwarding company for further advice

### MAINTENANCE

Before use check machine, cable, safety harness and plug for any damages or material fatigue. Repairs should only be carried out by authorised Service Agents.

The ventilation slots of the machine must be kept clear at all times.

From time to time, apply a few drops of oil to the rack toothing. The bearings of the feed shaft are self-cutting and must not be greased. Grease the sliding surface of the carriage with Molykote grease.

Clean dust and debris from tool. Keep tool handles clean, dry and free of oil or grease. Use only mild soap and a damp cloth to clean the tool since certain cleaning agents and solvents are harmful to plastics and other insulated parts. Never use flammable or combustible solvents around tools.

Use only Milwaukee accessories and Milwaukee spare parts. Should components need to be replaced which have not been described, please contact one of our Milwaukee service agents (see our list of guarantee/service addresses).

If needed, an exploded view of the tool can be ordered. Please state the Article No. as well as the machine type printed on the label and order the drawing at your local service agents or directly at: Techtronic Industries GmbH, Max-Eyth-Straße 10, 71364 Winnenden, Germany.

### SYMBOLS



CAUTION! WARNING! DANGER!



Remove the battery pack before starting any work on the appliance.



Always work in pairs when using the drill stand above head height. Carry the electric tool between the two of you to avoid suffering back injuries.



Please read the instructions carefully before starting the machine.



Always wear goggles when using the machine.



Wear ear protectors!



Wear gloves!



DANGER! To reduce the risk of injury, always keep hands, rags, clothing, etc. away from moving parts and chips. Do not try to remove chips while the cutter is rotating. Chips are sharp and can pull objects into moving parts.



Carrying along metal parts and watches is prohibited.



Persons with cardiac pacemakers or other medicinal implants may not use this drill stand.



Carrying of magnetic or electronic media prohibited.



Never expose tool to rain.



Core hole drill bit



Solid drill bit



Do not dispose electric tools, batteries/rechargeable batteries together with household waste material. Electric tools and batteries that have reached the end of their life must be collected separately and returned to an environmentally compatible recycling facility. Check with your local authority or retailer for recycling advice and collection point.

**n<sub>0</sub>** No-load speed

**V** Volts

 Direct Current

 European Conformity Mark

 British Conformity Mark

 Ukraine Conformity Mark  
001

 EurAsian Conformity Mark



TECHNISCHE DATEN Magnetkernbohrmaschine	M18 FMDP
Produktionsnummer	4692 83 02... ... 000001-999999
Spannung Wechselakku	18 V
Leerlaufdrehzahl	400 min <sup>-1</sup> 690 min <sup>-1</sup>
Hubhöhe	146 mm
Max Magnetkraft	8,89 kN
Spindelaufnahme	19 mm Weldon
Bohr-Ø max. mit Kernlochbohrer	38 mm
Bohr-Ø max. mit Vollbohrer	13 mm
Gewicht nach EPTA-Prozedur 01/2014 (Li-Ion 2,0 Ah ... 12,0 Ah)	13,9 ... 14,5 kg
Empfohlene Umgebungstemperatur für den Betrieb	-18°C ... +50°C
Empfohlene Akku Typen	M18B..., M18HB...
Empfohlene Ladegeräte	M12-18..., M1418 C6
<b>Geräuschinformation</b>	
Messwerte ermittelt entsprechend EN 62841. Der A-bewertete Geräuschpegel des Gerätes beträgt typischerweise:	
Schalldruckpegel (Unsicherheit K=3dB(A))	82,4 dB(A)
Schallleistungspegel (Unsicherheit K=3dB(A))	93,4 dB(A)
<b>Gehörschutz tragen!</b>	
<b>Vibrationsinformationen</b>	
Schwingungsgesamtwerte (Vektorsumme dreier Richtungen) ermittelt entsprechend EN 62841.	
Schwingungsemissionswert a <sub>h</sub> (Li-Ion 2,0 Ah)	1,69 m/s <sup>2</sup>
Unsicherheit K=	1,5 m/s <sup>2</sup>

## WARNUNG

Der in diesen Anweisungen angegebene Schwingungspegel ist entsprechend einem in EN 62841 genormten Messverfahren gemessen worden und kann für den Vergleich von Elektrowerkzeugen miteinander verwendet werden. Er eignet sich auch für eine vorläufige Einschätzung der Schwingungsbelastung.

Der angegebene Schwingungspegel repräsentiert die hauptsächlichen Anwendungen des Elektrowerkzeugs. Wenn allerdings das Elektrowerkzeug für andere Anwendungen, mit abweichenden Einsatzwerkzeugen oder ungenügender Wartung eingesetzt wird, kann der Schwingungspegel abweichen. Dies kann die Schwingungsbelastung über den gesamten Arbeitszeitraum deutlich erhöhen.

Für eine genaue Abschätzung der Schwingungsbelastung sollten auch die Zeiten berücksichtigt werden, in denen das Gerät abgeschaltet ist oder zwar läuft, aber nicht tatsächlich im Einsatz ist. Dies kann die Schwingungsbelastung über den gesamten Arbeitszeitraum deutlich reduzieren.

Legen Sie zusätzliche Sicherheitsmaßnahmen zum Schutz des Bedieners vor der Wirkung von Schwingungen fest wie zum Beispiel: Wartung von Elektrowerkzeug und Einsatzwerkzeugen, Warmhalten der Hände, Organisation der Arbeitsabläufe.



### WARNUNG!

**Lesen Sie alle Sicherheitshinweise, Anweisungen, Bilderungen und technischen Daten, mit denen dieses Elektrowerkzeug versehen ist.** Versäumnisse bei der Einhaltung der Sicherheitshinweise und Anweisungen können elektrischen Schlag, Brand und/oder schwere Verletzungen verursachen.  
**Bewahren Sie alle Sicherheitshinweise und Anweisungen für die Zukunft auf.**



### MAGNETKERNBOHRMASCHINE SICHERHEITSHINWEISE

Schutzeinrichtung der Maschine unbedingt verwenden.  
Schutzausrüstung verwenden. Beim Arbeiten mit der Maschine stets Schutzbrille tragen. Schutzkleidung wie Staubschutzmaske, Schutzhandschuhe, festes und rutschsicheres Schuhwerk, Helm und Gehörschutz werden empfohlen.

Nicht in den Gefahrenbereich der laufenden Maschine greifen.

Späne oder Splitter dürfen bei laufender Maschine nicht entfernt werden.

Verwenden Sie keine beschädigten Einsatzwerkzeuge.

Werkstücke sicher befestigen oder festspannen. Um einer Verletzungsgefahr vorzubeugen, sollte das Arbeitsstück nicht von Hand gehalten werden.

**WARNUNG!** Bei nassen Verbindungen besteht Elektroschockgefahr. Keine Schneidflüssigkeit in Überkopf- oder sonstigen Positionen verwenden, bei denen die Schneidflüssigkeit in den Motor oder das Schaltergehäuse eindringen könnte.

**WARNUNG!** Um die durch einen Kurzschluss verursachte Gefahr eines Brandes, von Verletzungen oder Produktbeschädigungen zu vermeiden, tauchen Sie das Werkzeug, den Wechselakku oder das Ladegerät nicht in Flüssigkeiten ein und sorgen Sie dafür, dass

keine Flüssigkeiten in die Geräte und Akkus eindringen. Korrodierende oder leitfähige Flüssigkeiten, wie Salzwasser, bestimmte Chemikalien und Bleichmittel oder Produkte, die Bleichmittel enthalten, können einen Kurzschluss verursachen.

Wechselakkus und Ladegeräte nicht öffnen und nur in trockenen Räumen lagern. Vor Nässe schützen.

Um Verletzungen oder Schäden zu vermeiden, tauchen Sie ihr Werkzeug, Wechselakku oder Ladegerät nie in Flüssigkeit oder lassen eine Flüssigkeit in sie fließen.

Wechselakku des Systems M18 nur mit Ladegeräten des Systems M18 laden. Keine Akkus aus anderen Systemen laden.

### BESTIMMUNGSGEMÄSSE VERWENDUNG

Der Bohrständer kann zum Bohren großer Bohrungen in Stahl und anderen eisenhaltigen Metallen eingesetzt werden.

### ARBEITSHINWEISE

Die elektromagnetische Ständerbohrmaschine haftet magnetisch an 6,35 mm oder dickerem eisenhaltigem Material an. Bitte nicht auf Material anwenden, das eine Dicke von weniger als 6,35 mm aufweist. Der Magnetsockel HÄLT NICHT auf unmagnetischen Edeltahlsorten.

Der Untergrund unter dem Bohrständer muss sauber, fest, glatt, trocken und frei von Löchern und Lack sein.

Den Bohrständer nicht dem Regen aussetzen und nicht in nassen, feuchten oder explosionsgefährdeten Räumen verwenden.

Während des gesamten Vorgangs gleich bleibenden Druck ausüben, damit keine Späne oder Bohrgrate unter die Fräskanten fallen. Durch Fräsabfälle, die unter den Fräser geraten, können die Fräsarbeiten u.U. schwierig oder überhaupt nicht durchgeführt werden.

#### WARNUNG!

Bei übermäßiger Kräfteinwirkung löst sich der Magnet.

Kontakt mit den Spitzen des Fräasers vermeiden. Die Spitze des Fräasers von Zeit zu Zeit auf lose oder beschädigte Spitzen untersuchen.

Zur Gewährleistung einer langen Betriebsdauer dieser Fräser wird die Verwendung von Schneidflüssigkeit empfohlen.

Bei Arbeiten an schrägen und senkrechten Flächen und über Kopf muss der Magnetbohrständer mit dem mitgelieferten Gurt gesichert werden.

Der Sicherheitsgurt muss so angebracht werden, dass sich der Bohrständer bei Magnetausfall vom Bediener weg bewegt.

Sicherheitsgurt vor jeder Benutzung auf Beschädigung und Alterung kontrollieren. Defekten Sicherheitsgurt nicht benutzen!

Das Einsatzwerkzeug kann während der Anwendung heiß werden.

#### WARNUNG! Verbrennungsgefahr

- bei Werkzeugwechsel
- bei Ablegen des Gerätes

Den Fräser erst dann entfernen, wenn der Rohling herausgenommen wurde. Der Rohling kann unerwartet ausgeworfen werden.

### AUTO-STOP

Mit dem AUTO STOP wird bei einer überhöhen ruckartigen Drehkraft auf den Magnet die Maschine automatisch abgeschaltet. Ermitteln und beheben Sie die Ursache des automatischen Stopps unter Berücksichtigung der Sicherheitshinweise.

Mögliche Ursachen dafür können sein:

- Durchbrechen des zu bearbeitenden Materials
- Überlastung des Elektrowerkzeuges durch zu hohen Vorschub
- Unsaubere Magnetfläche

Maschine ausschalten und wieder einschalten

### WIEDERANLAUFSCHEITZ

Eingeschaltete Maschine läuft nach Spannungsausfall nicht wieder an. Um weiter zu arbeiten, Maschine aus- und wieder einschalten.

### MOTOR/MAGNET-SICHERHEITSSPERRE

Die Motor/Magnet-Sperre ist ein Sicherheitsmerkmal, das verhindert, dass der Bohrmotor mit Strom versorgt wird, wenn der Magnet nicht angesteuert ist. Diese Sperre sorgt auch dafür, dass der Magnet nicht abgeschaltet wird, während der Motor läuft.

### CE-KONFORMITÄTSERKLÄRUNG

Wir erklären in alleiniger Verantwortung, dass das unter „Technische Daten“ beschriebene Produkt mit allen relevanten Vorschriften der Richtlinien

2011/65/EU (RoHS)

2006/42/EG

2014/30/EU

und den folgenden harmonisierten normativen Dokumenten

EN 62841-1:2015

EN 55014-1:2017:A11 2020

EN 55014-2:2015

EN IEC 63000:2018

übereinstimmt



Winnenden, 2020-11-10

Alexander Krug / Managing Director

Bevollmächtigt die technischen Unterlagen zusammenzustellen.

Techtronic Industries GmbH

Max-Eyth-Straße 10, 71364 Winnenden, Germany

### AKKUS

Längere Zeit nicht benutzte Wechselakkus vor Gebrauch nachladen.

Eine Temperatur über 50°C vermindert die Leistung des Wechselakkus. Längere Erwärmung durch Sonne oder Heizung vermeiden.

Die Anschlusskontakte an Ladegerät und Wechselakku sauber halten.

Für eine optimale Lebensdauer müssen nach dem Gebrauch die Akkus voll geladen werden.

Für eine möglichst lange Lebensdauer sollten die Akkus nach dem Aufladen aus dem Ladegerät entfernt werden.

Bei Lagerung des Akkus länger als 30 Tage: Akku bei ca. 27°C und trocken lagern. Akku bei ca. 30%-50% des Ladezustandes lagern. Akku alle 6 Monate erneut aufladen.



D

Verbrauchte Wechselakkus nicht ins Feuer oder in den Hausmüll werfen. Milwaukee bietet eine umweltgerechte Alt-Wechselakku-Entsorgung an; bitte fragen Sie Ihren Fachhändler.

Wechselakkus nicht zusammen mit Metallgegenständen aufbewahren (Kurzschlussgefahr).

In den Wechselakku-Einschubschacht der Ladegeräte dürfen keine Metallteile gelangen (Kurzschlussgefahr).

Unter extremer Belastung oder extremer Temperatur kann aus beschädigten Wechselakkus Batterieflüssigkeit auslaufen. Bei Berührung mit Batterieflüssigkeit sofort mit Wasser und Seife abwaschen. Bei Augenkontakt sofort mindestens 10 Minuten gründlich spülen und unverzüglich einen Arzt aufsuchen.

### AKKUÜBERLASTSCHUTZ

Bei Überlastung des Akkus durch sehr hohen Stromverbrauch, z.B. extrem hohe Drehmomente, plötzlichem Stopp oder Kurzschluss, vibriert das Elektrowerkzeug 5 Sekunden lang, die Ladeanzeige blinkt und das Elektrowerkzeug schaltet sich selbsttätig ab. Zum Wiedereinschalten, den Schalterdrücker loslassen und dann wieder einschalten. Unter extremen Belastungen erhitzt sich der Akku zu stark. In diesem Fall blinken alle Lampen der Ladeanzeige bis der Akku abgekühlt ist. Nach Erlöschen der Ladeanzeige kann weitergearbeitet werden.

Den Akku dann in das Ladegerät stecken um ihn wieder aufzuladen und zu aktivieren.

### TRANSPORT VON LITHIUM-IONEN-AKKUS

Lithium-Ionen-Akkus fallen unter die gesetzlichen Bestimmungen zum Gefahrguttransport.

Der Transport dieser Akkus muss unter Einhaltung der lokalen, nationalen und internationalen Vorschriften und Bestimmungen erfolgen.

Verbraucher dürfen diese Akkus ohne Weiteres auf der Straße transportieren.

Der kommerzielle Transport von Lithium-Ionen-Akkus durch Speditionsunternehmen unterliegt den Bestimmungen des Gefahrguttransports. Die Versandvorbereitungen und der Transport dürfen ausschließlich von entsprechend geschulten Personen durchgeführt werden. Der gesamte Prozess muss fachmännisch begleitet werden.

Folgende Punkte sind beim Transport von Akkus zu beachten: Stellen Sie sicher, dass die Kontakte geschützt und isoliert sind, um Kurzschlüsse zu vermeiden.

Achten Sie darauf, dass der Akkupack innerhalb der Verpackung nicht verrutschen kann.

Beschädigte oder auslaufende Akkus dürfen nicht transportiert werden.

Wenden Sie sich für weitere Hinweise an Ihr Speditionsunternehmen.

### WARTUNG

Vor jedem Gebrauch, Anschlusskabel, Verlängerungskabel, Sicherheitsgurt und Stecker auf Beschädigung und Alterung kontrollieren. Beschädigte Teile nur von einem Fachmann reparieren lassen.

Stets die Lüftungsschlitze der Maschine sauber halten.

Auf die Verzahnung der Zahnstange von Zeit zu Zeit einige Tropfen Öl geben. Die Lager der Vorschubwelle sind selbstschmierend und dürfen nicht geölt werden. Die Gleitfläche des Schlittens mit Molykote-Fett schmieren.

Staub und Schmutz vom Gerät stets entfernen. Den Handgriff sauber, trocken und frei von Öl oder Fett halten. Reinigungs- und Lösungsmittel sind schädlich für Kunststoffe und andere isolierende Teile, deshalb nur mit einer milden Seife und einem feuchten Tuch das Gerät reinigen. Verwenden Sie niemals brennbare Lösungsmittel in der Nähe des Gerätes.

Nur Milwaukee Zubehör und Milwaukee Ersatzteile verwenden. Bauteile, deren Austausch nicht beschrieben wurde, bei einer Milwaukee Kundendienststelle auswechseln lassen (Broschüre Garantie/Kundendienstadressen beachten).

Bei Bedarf kann eine Explosionszeichnung des Gerätes unter Angabe der Maschinen Type und der sechsstelligen Nummer auf dem Leistungsschild bei Ihrer Kundendienststelle oder direkt bei Techtronic Industries GmbH, Max-Eyth-Straße 10, 71364 Winnenden, Germany angefordert werden.

### SYMBOLE



ACHTUNG! WARNUNG! GEFAHR!



Vor allen Arbeiten am Gerät den Wechselakku herausnehmen.



Arbeiten Sie bei Über-Kopf-Einsatz des Bohrständers immer zu zweit. Tragen Sie das Elektrowerkzeug immer zu zweit, um Rückenverletzungen zu vermeiden.



Bitte lesen Sie die Gebrauchsanweisung vor Inbetriebnahme sorgfältig durch.



Beim Arbeiten mit der Maschine stets Schutzbrille tragen.



Gehörschutz tragen!



Schutzhandschuhe tragen!



GEFAHR! Um Verletzungsgefahren vorzubeugen, Hände, Lappen, Kleidung, usw. in sicherem Abstand von den beweglichen Teilen und Spänen halten. Die Späne auf keinen Fall entfernen, während sich der Fräser noch dreht. Späne haben scharfe Kanten und können Gegenstände in die beweglichen Teile ziehen.



Das Mitführen von Metallteilen und Uhren ist verboten.



Personen mit Herzschrittmacher oder anderen medizinischen Implantaten dürfen diesen Bohrständler nicht verwenden.



Mitführen von magnetischen oder elektronischen Datenträgern verboten.



Die Maschine nicht dem Regen aussetzen.



Kernlochbohrer



Vollbohrer



Elektrogeräte, Batterien/Akkus dürfen nicht zusammen mit dem Hausmüll entsorgt werden. Elektrische Geräte und Akkus sind getrennt zu sammeln und zur umweltgerechten Entsorgung bei einem Verwertungsbetrieb abzugeben. Erkundigen Sie sich bei den örtlichen Behörden oder bei Ihrem Fachhändler nach Recyclinghöfen und Sammelstellen.

**n<sub>0</sub>** Leerlaufdrehzahl

**V** Spannung

 Gleichstrom

 Europäisches Konformitätszeichen

 Britisches Konformitätszeichen

 Ukrainisches Konformitätszeichen  
001

 Euroasiatisches Konformitätszeichen



CARACTÉRISTIQUES TECHNIQUES Noyau magnétique machine de forage	M18 FMDP
Numéro de série	4692 83 02... ... 000001-999999
Tension accu interchangeable	18 V
Vitesse de rotation à vide	400 min <sup>-1</sup> 690 min <sup>-1</sup>
Hauteur de la course	146 mm
Force magnétique max.	8,89 kN
Porte-broche	19 mm Weldon
∅ max. de l'alésage avec foret carotter	38 mm
∅ max. de l'alésage avec foret hélicoïdal	13 mm
Poids suivant EPTA-Procédure 01/2014 (Li-Ion 2,0 Ah ... 12,0 Ah)	13,9 ... 14,5 kg
Température ambiante conseillée pour le fonctionnement	-18°C ... +50°C
Batteries conseillées	M18B..., M18HB...
Chargeurs conseillés	M12-18..., M1418 C6
<b>Informations sur le bruit</b>	
Valeurs de mesure obtenues conformément à la EN 62841. Les mesures réelles (des niveaux acoustiques de l'appareil sont :	
Niveau de pression acoustique (Incertitude K=3dB(A))	82,4 dB(A)
Niveau d'intensité acoustique (Incertitude K=3dB(A))	93,4 dB(A)
<b>Toujours porter une protection acoustique!</b>	
<b>Informations sur les vibrations</b>	
Valeurs totales des vibrations (somme vectorielle de trois sens) établies conformément à EN 62841.	
Valeur d'émission vibratoire a <sub>h</sub> (Li-Ion 2,0 Ah)	1,69 m/s <sup>2</sup>
Incertitude K=	1,5 m/s <sup>2</sup>

## AVERTISSEMENT

Le niveau vibratoire indiqué dans ces instructions a été mesuré selon un procédé de mesure normalisé dans la norme EN 62841 et peut être utilisé pour comparer des outils électriques entre eux. Il convient aussi à une estimation provisoire de la sollicitation par les vibrations.

Le niveau vibratoire indiqué représente les applications principales de l'outil électrique. Toutefois, si l'outil électrique est utilisé pour d'autres applications, avec des outils rapportés qui diffèrent ou une maintenance insuffisante, il se peut que le niveau vibratoire diverge. Cela peut augmenter nettement la sollicitation par les vibrations sur tout l'intervalle de temps du travail.

Pour une estimation précise de la sollicitation par les vibrations, on devrait également tenir compte des temps pendant lesquels l'appareil n'est pas en marche ou tourne sans être réellement en service. Cela peut réduire nettement la sollicitation par les vibrations sur tout l'intervalle de temps du travail.

Définissez des mesures de sécurité supplémentaires pour protéger l'utilisateur contre l'influence des vibrations, comme par exemple : la maintenance de l'outil électrique et des outils rapportés, le maintien au chaud des mains, l'organisation des déroulements de travail.



### AVERTISSEMENT!

**Lisez toutes les consignes de sécurité, instructions, présentations et données que vous recevez avec l'appareil.** Le non-respect des avertissements et instructions indiqués ci après peut entraîner un choc électrique, un incendie et/ou de graves blessures sur les personnes.

**Bien garder tous les avertissements et instructions.**



### NOYAU MAGNÉTIQUE MACHINE DE FORAGE INSTRUCTIONS DE SÉCURITÉ PARTICULIÈRES

Il est absolument impératif d'utiliser le dispositif protecteur de la machine. Utiliser l'équipement de protection. Toujours porter des lunettes de protection pendant le travail avec la machine. Il est recommandé de porter des articles de protection, tels que masque antipoussière, gants de protection, chaussures tenant bien aux pieds et antidérapantes, casque et protection acoustique.

Ne jamais intervenir dans la zone dangereuse lorsque la machine est en marche.

Ne jamais enlever les copeaux ni les éclats lorsque la machine est en marche.

Ne pas utiliser d'accessoire endommagé.

Toujours bien fixer ou serrer les pièces à travailler. Pour réduire les risques de blessures, ne pas tenir la pièce avec les mains.

**AVERTISSEMENT!** Les connexions mouillées présentent des risques de choc électrique.

Ne pas utiliser de liquide de coupe dans une position verticale ou dans toute position qui lui permettrait d'entrer dans le moteur ou dans les ouvertures du commutateur.

**AVERTISSEMENT!** Pour réduire le risque d'incendie, de blessures corporelles et de dommages cau-sés par un court-circuit, ne jamais immerger l'outil, le bloc-piles ou le chargeur dans un liquide ou

laisser couler un fluide à l'intérieur de celui-ci. Les fluides corrosifs ou conducteurs, tels que l'eau de mer, certains produits chimiques industriels, les produits de blanchiment ou de blanchiment, etc., peuvent provoquer un court-circuit.

Ne pas ouvrir les accus interchangeables et les chargeurs et ne les stocker que dans des locaux secs. Les protéger contre l'humidité.

Pour éviter des blessures et des dommages, ne jamais immerger l'outil, la batterie amovible ou le chargeur dans un liquide ou permettre à du liquide d'y pénétrer.

Ne charger les accus interchangeables du système M18 qu'avec le chargeur d'accus du système M18. Ne pas charger des accus d'autres systèmes.

#### UTILISATION CONFORME AUX PRESCRIPTIONS

Le support de perçage peut être utilisé pour effectuer des alésages à diamètre important dans l'acier ou d'autres métaux ferreux.

#### CONSIGNES DE TRAVAIL

La perceuse électromagnétique se fixe magnétiquement sur des pièces de métal ferreux de 6,35 mm ou plus épaisses. N'utilisez pas de pièces métalliques d'une épaisseur inférieure à 6,35 mm. La base magnétique NE TIENDRA PAS sur des types d'acier inoxydable non magnétique.

La planche d'appui du support de forage magnétique doit être propre, solide, lisse, sec et sans trous et vernis.

Ne pas exposer le support de perçage à la pluie et ne pas l'utiliser dans un espace humide ou mouillé ni s'il y a risque d'explosion.

Maintenez une pression constante pendant toute la coupe afin d'éviter que les copeaux et les bavures ne tombent des rebords de coupe. Les débris de coupe sous la fraise peuvent rendre difficile ou même empêcher le fraisage.

#### AVERTISSEMENT!

L'application d'une force excessive provoquera la relâche des aimants.

Évitez un contact avec les embouts de la fraise. Inspectez régulièrement les embouts de la fraise pour vous assurer qu'ils ne sont pas desserrés ou endommagés.

Il est recommandé d'utiliser le fluide de coupe pour prolonger la vie de ces fraises.

Lors de travaux sur des surfaces inclinées et verticales ou au plafond, le support de forage magnétique doit être fixé avec la ceinture fournie.

La ceinture de sécurité doit être fixée d'une façon telle que le support de la perceuse se déplace en direction opposée à celle de l'utilisateur au cas de non fonctionnement de l'aimant.

Contrôler avant chaque utilisation que la ceinture de sécurité ne soit pas endommagée et qu'elle ne montre pas des signes d'usure. Ne pas utiliser des ceintures de sécurité défectueuses!

Durant l'utilisation, l'outil peut se surchauffer.

#### AVERTISSEMENT! Danger de brûlures

- durant le remplacement de l'outil
- durant la dépose de l'outil

Ne retirez pas la fraise sans retirer sa \*\*\* débouchure. La débouchure pourrait être éjectée à l'improviste. Ne retirez pas la fraise sans retirer sa \*\*\* débouchure. La débouchure pourrait être éjectée à l'improviste.

#### AUTO STOP

La fonction AUTO STOP désactive automatiquement l'appareil en cas de force de rotation soudaine et excessive sur l'aimant de l'appareil. Établir et éliminer la cause du blocage automatique en prêtant attention aux consignes de sécurité.

Les causes possibles sont :

- Le dispositif a traversé le matériau à travailler en le cassant.
- Surcharge de l'outil électrique à cause de poussée excessive.
- Surface de l'aimant non propre.

Désactiver et activer de nouveau l'appareil.

#### DISPOSITIF DE PROTECTION CONTRE UN REDÉMARRAGE

En cas d'interruption de tension avec la machine en fonction, la machine ne démarrera pas automatiquement lorsque la tension sera rétablie. Pour continuer à travailler, désactiver l'appareil et l'activer de nouveau.

#### SERRURE MOTEUR/AIMANT

Le dispositif de verrouillage du moteur/aimant empêche l'arrivée d'une alimentation de courant vers le moteur si l'aimant n'est pas sous tension. Le dispositif de verrouillage du moteur/aimant permet également d'empêcher la mise hors tension de l'aimant pendant que le moteur tourne.

#### DÉCLARATION CE DE CONFORMITÉ

Nous déclarons, sous notre responsabilité exclusive, que le produit décrit ici dans les « Caractéristiques techniques » satisfait à toutes les dispositions pertinentes des directives

2011/65/UE (RoHS)

2006/42/CE

2014/30/UE

et que les normes harmonisées

EN 62841-1:2015

EN 55014-1:2017:A11 2020

EN 55014-2:2015

EN IEC 63000:2018

suivantes ont été appliquées.



Winnenden, 2020-11-10

Alexander Krug / Managing Director

Autorisé à compiler la documentation technique.

Techtronic Industries GmbH

Max-Eyth-Straße 10, 71364 Winnenden, Germany

#### ACCUS

Recharger les accus avant utilisation après une longue période de non utilisation.

Une température supérieure à 50°C amoindrit la capacité des accus. Éviter les expositions prolongées au soleil ou au chauffage.

Tenir propres les contacts des accus et des chargeurs.

Pour une durée de vie optimale, les accus doivent être chargés à fond après l'utilisation.



Fr

Pour une plus longue durée de vie, enlever les batteries du chargeur de batterie quand celles-ci seront chargées.

En cas d'entreposage de la batterie pour plus de 30 jours: Entreposer la batterie à 27°C environ dans un endroit sec. Entreposer la batterie avec une charge d'environ 30% - 50%. Recharger la batterie tous les 6 mois.

Ne pas jeter les accus interchangeables usés au feu ou avec les déchets ménagers. Milwaukee offre un système d'évacuation écologique des accus usés.

Ne pas conserver les accus interchangeables avec des objets métalliques (risque de court-circuit)

Aucune pièce métallique ne doit pénétrer dans le logement d'accu du chargeur (risque de court-circuit)

En cas de conditions ou températures extrêmes, du liquide caustique peut s'échapper d'un accu interchangeable endommagé. En cas de contact avec le liquide caustique de la batterie, laver immédiatement avec de l'eau et du savon. En cas de contact avec les yeux, rincer soigneusement avec de l'eau et consulter immédiatement un médecin.



### PROTECTION DE L'ACCU CONTRE LES SURCHARGES

En cas d'une surcharge de l'accu à cause d'une très haute consommation de courant, par exemple suite à des couples extrêmement élevés, un arrêt soudain ou un court-circuit, l'outil électrique vibre pendant 5 secondes, l'indicateur de charge clignote et l'outil électrique se déconnecte automatiquement. Pour le ré-enclencher, relâcher le poussoir de l'interrupteur, puis enclencher à nouveau l'appareil. Sous des sollicitations extrêmes, l'accu s'échauffe trop fortement. Dans ce cas, tous les témoins de l'indicateur de charge clignotent jusqu'à ce que l'accu se soit refroidi. Il est possible de continuer à travailler dès que l'indicateur de charge s'est éteint.

Mettre alors l'accu en place dans le chargeur pour le recharger et l'activer.

### TRANSPORT DE BATTERIES LITHIUM-ION

Les batteries lithium-ion sont soumises aux dispositions législatives concernant le transport de produits dangereux.

Le transport de ces batteries devra s'effectuer dans le respect des dispositions et des normes locales, nationales et internationales.

Les utilisateurs peuvent transporter ces batteries sans restrictions.

Le transport commercial de batteries lithium-ion est réglé par les dispositions concernant le transport de produits dangereux. La préparation au transport et le transport devront être effectués uniquement par du personnel formé de façon adéquate. Tout le procédé devra être géré d'une manière professionnelle.

Durant le transport de batteries il faut respecter les consignes suivantes:

S'assurer que les contacts soient protégés et isolés en vue d'éviter des courts-circuits.

S'assurer que le groupe de batteries ne puisse pas se déplacer à l'intérieur de son emballage.

Des batteries endommagées ou des batteries perdant du liquide ne devront pas être transportées.

Pour tout renseignement complémentaire veuillez vous adresser à votre transporteur professionnel.

### ENTRETIEN

Avant de chaque utilisation contrôler l'appareil, le câble de connexion, le prolongateur, la ceinture de sécurité et la prise pour vérifier la présence d'endommagements ou de signes d'usure. Les pièces endommagées devront être réparées uniquement par un technicien spécialisé.

Tenir toujours propres les orifices de ventilation de la machine.

De temps en temps, mettre quelques gouttes d'huile sur la denture de la crémaillère. Les roulements de l'arbre d'avance sont graissés à vie et ne doivent pas être huilés. Graisser les surfaces de glissement du chariot avec de la graisse Molykote.

Toujours supprimer la poussière et les saletés de l'appareil. Veiller à ce que la poignée reste propre, sèche ainsi qu'exempte d'huile ou de graisse. Les produits de nettoyage et les solvants sont nocifs pour les matières plastiques et d'autres composants isolants et c'est pourquoi il convient de nettoyer l'appareil seulement avec un savon doux et un chiffon humide. Ne jamais utiliser de solvants combustibles à proximité de l'appareil.

Utiliser uniquement les accessoires Milwaukee et les pièces détachées Milwaukee. Faire remplacer les composants dont le remplacement n'a pas été décrit, par un des centres de service après-vente Milwaukee (observer la brochure avec les adresses de garantie et de service après-vente).

Si besoin est, une vue éclatée de l'appareil peut être fournie. S'adresser, en indiquant bien le numéro porté sur la plaque signalétique, à votre station de service après-vente (voir liste jointe) ou directement à Techtronic Industries GmbH, Max-Eyth-Straße 10, 71364 Winnenden, Germany.

### SYMBOLES



ATTENTION! AVERTISSEMENT! DANGER!



Avant tous travaux sur l'appareil retirer l'accu interchangeable.



Lorsque le support de la perceuse est utilisé tourné vers le haut, travailler toujours avec deux opérateurs. Le dispositif électrique est à transporter toujours par deux personnes en vue d'éviter des dommages au dos.



Veillez lire avec soin le mode d'emploi avant la mise en service



Toujours porter des lunettes protectrices en travaillant avec la machine.



Toujours porter une protection acoustique!



Porter des gants de protection!



DANGER! Pour réduire les risques de blessure, gardez les mains, les chiffons, les vêtements etc., loin des pièces mobiles et des copeaux. N'essayez pas d'enlever les copeaux pendant que la perceuse tourne. Les copeaux sont tranchants et peuvent attirer les objets dans les pièces mobiles.



Il est interdit de porter des objets métalliques sur soi et des montres.



Les personnes portant des stimulateurs cardiaques ou d'autres implants médicaux ne doivent pas utiliser ce support de perçage.



Transport de supports magnétiques ou électroniques interdite.



Ne pas exposer la machine à la pluie.



Foret hélicoidal



Foret à plaquettes



Les dispositifs électriques, les batteries et les batteries rechargeables ne sont pas à éliminer dans les déchets ménagers. Les dispositifs électriques et les batteries sont à collecter séparément et à remettre à un centre de recyclage en vue de leur élimination dans le respect de l'environnement. S'adresser aux autorités locales ou au détaillant spécialisé en vue de connaître l'emplacement des centres de recyclage et des points de collecte.



**n<sub>0</sub>**

Vitesse de rotation à vide

**V**

Tension



Courant continu



Marque de conformité européenne



Marque de conformité britannique



Marque de conformité ukrainienne

001



Marque de conformité d'Eurasie

DATI TECNICI Macchina di perforazione nucleo magnetico	M18 FMDP
Numero di serie	4692 83 02... ... 000001-999999
Tensione batteria	18 V
Numero di giri a vuoto	400 min <sup>-1</sup> 690 min <sup>-1</sup>
Altezza corsa	146 mm
Potenza max. del magnete	8,89 kN
Attacco albero	19 mm Weldon
Diametro con punte a corona	38 mm
Diametro con punte normali	13 mm
Peso secondo la procedura EPTA 01/2014 (Li-Ion 2,0 Ah ... 12,0 Ah)	13,9 ... 14,5 kg
Temperatura ambiente consigliata per il funzionamento	-18°C ... +50°C
Batterie consigliate	M18B..., M18HB...
Caricatori consigliati	M12-18..., M1418 C6
<b>Informazioni sulla rumorosità</b>	
Valori misurati conformemente alla norma EN 62841. La misurazione A del livello di pressione acustica dell'utensile è di solito di:	
Livello di rumorosità (Incertezza della misura K=3dB(A))	82,4 dB(A)
Potenza della rumorosità (Incertezza della misura K=3dB(A))	93,4 dB(A)
<b>Utilizzare le protezioni per l'udito!</b>	
<b>Informazioni sulle vibrazioni</b>	
Valori totali delle oscillazioni (somma di vettori in tre direzionmisurati conformemente alla norma EN 62841)	
Valore di emissione dell'oscillazione a <sub>h</sub> (Li-Ion 2,0 Ah)	1,69 m/s <sup>2</sup>
Incertezza della misura K=	1,5 m/s <sup>2</sup>

## AVVERTENZA

Il livello di vibrazioni indicato nelle presenti istruzioni è stato misurato in conformità con un procedimento di misurazione codificato nella EN 62841 e può essere utilizzato per un confronto tra attrezzi elettrici. Inoltre si può anche utilizzare per una valutazione preliminare della sollecitazione da vibrazioni.

Il livello di vibrazioni indicato rappresenta le applicazioni principali dell'attrezzo elettrico. Se viceversa si utilizza l'attrezzo elettrico per altri scopi, con accessori differenti o con una manutenzione insufficiente, il livello di vibrazioni può risultare diverso. E questo può aumentare decisamente la sollecitazione da vibrazioni lungo l'intero periodo di lavorazione.

Ai fini di una valutazione precisa della sollecitazione da vibrazioni si dovrebbero tenere presente anche i periodi in cui l'apparecchio rimane spento oppure, anche se acceso, non viene effettivamente utilizzato. Ciò può ridurre notevolmente la sollecitazione da vibrazioni lungo l'intero periodo di lavorazione.

Stabilite misure di sicurezza supplementari per la tutela dell'operatore dall'effetto delle vibrazioni, come ad esempio: manutenzione dell'attrezzo elettrico e degli accessori, riscaldamento delle mani, organizzazione dei processi di lavoro.

### AVVERTENZA!

**Leggere tutte le avvertenze di sicurezza, le istruzioni, le illustrazioni e i dati forniti a corredo dell'apparecchio.**

In caso di mancato rispetto delle avvertenze di pericolo e delle istruzioni operative si potrà creare il pericolo di scosse elettriche, incendi e/o incidenti gravi.

**Conservare tutte le avvertenze di pericolo e le istruzioni operative per ogni esigenza futura.**

### MACCHINA DI PERFORAZIONE NUCLEO MAGNETICO NORME DI SICUREZZA

Usare sempre il dispositivo di protezione dell'apparecchio. Usare dispositivi di protezione. Durante il lavoro con la macchina bisogna sempre portare occhiali di protezione. Si consiglia di indossare indumenti di protezione come maschera antipolvere, guanti di

protezione, scarpe antiscivolo robuste, casco e cuffie di protezione acustica.

Non entrare nel raggio d'azione dell'utensile mentre è in funzione.

Non rimuovere trucioli o schegge mentre l'utensile è in funzione.

Non utilizzare mai portautensili od accessori danneggiati.

Fissare bene i pezzi su cui si lavora. Per ridurre il rischio di lesioni, non tenere il pezzo da lavorare con la mano.

**AVVERTENZA!** Connessioni elettriche bagnate causano folgorazione.

Non usare fluido di taglio per operazioni aeree o per altre posizioni che potrebbero provocare l'infiltrazione del fluido stesso nel motore o nella custodia degli interruttori.

**AVVERTENZA!** Per ridurre il rischio d'incendio, di lesioni o di danni al prodotto causati da corto circuito, non immergere mai l'utensile, la batteria ricaricabile o il carica batterie in un liquido e non lasciare

mai penetrare alcun liquido all'interno dei dispositivi e delle batterie. I fluidi corrosivi o conduttori come acqua salata, alcuni agenti chimici, agenti candeggianti o prodotti contenenti agenti candeggianti potrebbero provocare un corto circuito.

Non aprire nè la batteria nè il caricatore e conservarli solo in luogo asciutto. Proteggerli dalla umidità.

Per evitare lesioni o danni, non immergere mai l'utensile, la batteria rimovibile o il caricabatteria in un liquido e non consentire mai a un liquido di penetrare nell'utensile, nella batteria rimovibile o nel caricabatteria.

Le batterie del System M18 sono ricaricabili esclusivamente con i caricatori del System M18. Le batterie di altri sistemi non possono essere ricaricate.

#### UTILIZZO CONFORME

Il supporto è adatto per grandi fori in acciaio o in altri metalli ferruginosi.

#### ISTRUZIONI DI LAVORO

La pressa con trapano elettromagnetico si attacca magneticamente al sovrametallo ferroso di 6,35 mm o più spesso. Non usarla su sovrametallo inferiore a 6,35 mm. La base magnetica NON tiene su pezzi in acciaio inossidabile di livelli non magnetici.

Il piano di appoggio del supporto per trapano deve essere pulito, solido, liscio, asciutto ed esente da buchi e vernici.

Non esporre il supporto alla pioggia e non usare in ambienti umidi o infiammabili

Applicare pressione costante durante l'intera operazione, onde evitare che scaglie e sbavature cadano sotto i bordi di taglio. I depositi che si accumulano sotto il coltello possono rendere compromettere le operazioni di taglio.

#### AVVERTENZA!

Una forza eccessiva sgancia il magnete.

Evitare il contatto con le punte dei coltelli. Ispezionare periodicamente le punte dei coltelli per accertarsi che non siano allentate o danneggiate.

Si consiglia l'uso del fluido di taglio per garantire una maggiore durata dei coltelli.

Lavorando su superfici inclinate e verticali o sopra la testa, il supporto magnetico per trapano deve essere assicurato con la cintura fornita a corredo.

La cintura di sicurezza deve essere fissata in maniera tale che il supporto per trapano si muova in direzione opposta all'utente in caso di mancato funzionamento del magnete.

Controllare prima di ogni utilizzo se la cintura di sicurezza è danneggiata o mostra segni di invecchiamento. Non utilizzare cinture di sicurezza difettose!

Durante l'uso l'utensile ad inserto può surriscaldarsi.

#### AVVERTENZA! Pericolo di ustioni

- durante la sostituzione dell'utensile
- durante il deposito dell'utensile

Non togliere il coltello senza aver prima tolto lo spezzone, onde evitare che quest'ultimo venga espulso all'improvviso.

#### AUTO STOP

La funzione AUTO STOP disattiva automaticamente l'apparecchio in caso di improvvisa ed eccessiva forza di rotazione sul magnete dell'apparecchio. Rilevare ed eliminare la causa dello stop automatico tenendo conto delle indicazioni di sicurezza.

Le possibili cause sono:

- Il dispositivo ha attraversato il materiale da lavorare rompendolo
- Sovraccarico dell'elettrotensile causa eccessiva spinta
- Superficie magnete non pulita

Spegnere e riaccendere l'apparecchio.

#### PROTEZIONE CONTRO IL RIAVVIO

Se a macchina accesa viene interrotta l'alimentazione di tensione, la macchina non ripartirà automaticamente quando sarà nuovamente presente la tensione. Per continuare a lavorare, spegnere e riaccendere la macchina.

#### BLOCCO MOTORE/MAGNETE

Il dispositivo di comando ad azione combinata per motore/magnete impedisce l'invio di corrente al motore del trapano se il magnete non è attivato. Questo dispositivo impedisce inoltre la disattivazione del magnete con il motore in funzione.

#### DICHIARAZIONE DI CONFORMITÀ CE

Assumendone la piena responsabilità, dichiariamo che il prodotto descritto nei "Dati tecnici" è conforme alle pertinenti disposizioni delle direttive

2011/65/UE (RoHS)

2006/42/CE

2014/30/UE

e che sono state applicate le seguenti norme armonizzate

EN 62841-1:2015

EN 55014-1:2017/A11 2020

EN 55014-2:2015

EN IEC 63000:2018



Winnenden, 2020-11-10

Alexander Krug / Managing Director

Autorizzato alla preparazione della documentazione tecnica

Techtronic Industries GmbH

Max-Eyth-Straße 10, 71364 Winnenden, Germany

#### BATTERIE

Batterie non utilizzate per molto tempo devono essere ricaricate prima dell'uso.

A temperature superiori ai 50°C, la potenza della batteria si riduce.

Evitare di esporre l'accumulatore a surriscaldamento prolungato, dovuto ad esempio ai raggi del sole o ad un impianto di riscaldamento.

Per una ottimale vita utile è necessario ricaricare completamente le batterie dopo l'uso.

Per una più lunga durata, rimuovere le batterie dal caricabatterie quando saranno cariche.

In caso di immagazzinaggio della batteria per più di 30 giorni: Immagazzinare la batteria a circa 27°C in ambiente asciutto. Immagazzinare la batteria con carica di circa il 30% - 50%. Ricaricare la batteria ogni 6 mesi.

Non gettare le batterie esaurite sul fuoco o nella spazzatura di casa. La Milwaukee offre infatti un servizio di recupero batterie usate.



Nel vano d'innesto per la batteria del caricatore non devono entrare parti metalliche. (pericolo di cortocircuito).

Non conservare le batterie con oggetti metallici (pericolo di cortocircuito).

Nel caso di batterie danneggiate da un carico eccessivo o da temperature alte, l'acido di queste potrebbe fuoriuscire. In caso di contatto con l'acido delle batterie lavarsi immediatamente con acqua e sapone. In caso di contatto con gli occhi risciacquare immediatamente con acqua per almeno 10 minuti e contattare subito un medico.

#### DISPOSITIVO ANTISOVRACCARICO ACCUMULATORE

In caso di sovraccarico dell'accumulatore dovuto ad un consumo molto elevato di corrente, ad es. momenti di coppia estremamente elevati, arresto improvviso o corto circuito, l'utensile elettrico vibra per 5 secondi, il display di carica lampeggia e l'elettrotensile si spegne automaticamente. Per riaccenderlo rilasciare l'interruttore e poi riaccenderlo. Se sottoposto a sollecitazioni estreme l'accumulatore si riscalda eccessivamente. In questo caso lampeggiano tutte le spie del display di carica finché l'accumulatore non è raffreddato. Quando il display di carica si spegne si può continuare a lavorare.

Inserire l'accumulatore nell'apparecchio carica-batterie per ricaricarlo e attivarlo.

#### TRASPORTO DI BATTERIE AGLI IONI DI LITIO

Le batterie agli ioni di litio sono soggette alle disposizioni di legge sul trasporto di merce pericolosa.

Il trasporto di queste batterie deve avvenire rispettando le disposizioni e norme locali, nazionali ed internazionali.

Gli utilizzatori possono trasportare queste batterie su strada senza alcuna restrizione.

Il trasporto commerciale di batterie agli ioni di litio è regolato dalle disposizioni sul trasporto di merce pericolosa. Le preparazioni al trasporto ed il trasporto stesso devono essere svolti esclusivamente da persone idoneamente istruite. Tutto il processo deve essere gestito in maniera professionale.

Durante il trasporto di batterie occorre tenere conto di quanto segue:

Assicurarsi che i contatti siano protetti ed isolati per evitare corto circuiti.

Accertarsi che il gruppo di batterie non possa spostarsi all'interno dell'imballaggio.

Batterie danneggiate o batterie che perdono liquido non devono essere trasportate.

Per ulteriori informazioni si prega di contattare il proprio trasportatore.

#### MANUTENZIONE

Prima di ogni utilizzo controllare l'apparecchio, il cavo di collegamento, il cavo di prolunga, la cintura di sicurezza e la presa per verificare la presenza di danni o segni di invecchiamento. Parti danneggiate devono essere riparate esclusivamente da un tecnico specializzato.

Tener sempre ben pulite le fessure di ventilazione dell'apparecchio.

Saltuariamente applicare qualche goccia di olio alla cremagliera dentata. I cuscinetti dell'albero sono auto affilanti e non devono essere ingrassati. Utilizzare, per la superficie del carrello, grasso tipo Molykote.

Polvere e sporcizia devono essere sempre tenute lontane dall'apparecchio. Tenere l'impugnatura pulita, asciutta e libera da oli o grassi. Detergenti e solventi sono dannosi alla plastica e ad altre parti isolanti, pertanto pulire l'apparecchio soltanto con sapone neutro ed un panno umido. Non usare mai solventi infiammabili nelle vicinanze dell'apparecchio.

Usare solo accessori Milwaukee e pezzi di ricambio Milwaukee. Gruppi costruttivi la cui sostituzione non è stata descritta, devono essere fatti cambiare da un punto di servizio di assistenza tecnica al cliente Milwaukee (vedi depliant garanzia/indirizzi assistenza tecnica ai clienti).

In caso di mancanza del disegno dell'esplosivo, può essere richiesto al seguente indirizzo: Techtronic Industries GmbH, Max-Eyth-Straße 10, 71364 Winnenden, Germany.

#### SIMBOLI



ATTENZIONE! AVVERTENZA! PERICOLO!



Prima di iniziare togliere la batteria dalla apparecchiatura.



Lavorare sempre in due quando il supporto trapano viene usato rivolto verso l'alto. Trasportare il dispositivo elettrico sempre in due per evitare danni alla schiena.



Leggere attentamente le istruzioni per l'uso prima di mettere in funzione l'elettrotensile.



Durante l'uso dell'apparecchio utilizzare sempre gli occhiali di protezione.



Utilizzare le protezioni per l'udito!



Indossare guanti protettivi!



PERICOLO! Per ridurre il rischio di lesioni, tenere sempre mani, stracci, indumenti ecc. lontano dalle parti e da scaglie in movimento. Non tentare di togliere le scaglie con il col-tello in movimento, in quanto appuntite, e potrebbero tirare oggetti nelle parti in movimento.



È vietato avere con sé parti metalliche ed orologi.



Persone con pace-maker oppure altri impianti medici non devono utilizzare questo supporto a colonna.



Portare di supporti magnetici o elettronici vietati.



Non esporre la macchina alle intemperie.



Punte a spirale



Punte ad inserti





I dispositivi elettrici, le batterie e le batterie ricaricabili non devono essere smaltiti con i rifiuti domestici. I dispositivi elettrici e le batterie devono essere raccolti separatamente e devono essere conferiti ad un centro di riciclaggio per lo smaltimento rispettoso dell'ambiente. Chiedere alle autorità locali o al rivenditore specializzato dove si trovano i centri di riciclaggio e i punti di raccolta.


**n<sub>0</sub>** Numero di giri a vuoto


**V** Volt

 Corrente continua

 Marchio di conformità europeo

 Marchio di conformità britannico

 Marchio di conformità ucraino  
001

 Marchio di conformità euroasiatico





DATOS TÉCNICOS Magnética máquina de perforación de base	M18 FMDP
Número de producción	4692 83 02... ... 000001-999999
Voltaje de batería	18 V
Velocidad en vacío	400 min <sup>-1</sup> 690 min <sup>-1</sup>
Carrera	146 mm
Máx. potencia magnética	8,89 kN
Eje de admisión	19 mm Weldon
Máx. diámetro de taladrado con	38 mm
Máx. diámetro de taladrado con broca maciza	13 mm
Peso de acuerdo con el procedimiento EPTA 01/2014 (Li-Ion 2,0 Ah ... 12,0 Ah)	13,9 ... 14,5 kg
Temperatura ambiente recomendada para la operación	-18°C ... +50°C
Juegos de baterías recomendados	M18B..., M18HB...
Cargadores recomendados	M12-18..., M1418 C6
<b>Información sobre ruidos</b>	
Determinación de los valores de medición según norma EN 62841. El nivel de ruido típico del aparato determinado con un filtro A corresponde a:	
Presión acústica (Tolerancia K=3dB(A))	82,4 dB(A)
Resonancia acústica (Tolerancia K=3dB(A))	93,4 dB(A)
<b>Usar protectores auditivos!</b>	
<b>Informaciones sobre vibraciones</b>	
Nivel total de vibraciones (suma vectorial de tres direcciones) determinado según EN 62841.	
Valor de vibraciones generadas a <sub>h</sub> (Li-Ion 2,0 Ah)	1,69 m/s <sup>2</sup>
Tolerancia K=	1,5 m/s <sup>2</sup>

## ADVERTENCIA

El nivel vibratorio indicado en estas instrucciones ha sido medido conforme a un método de medición estandarizado en la norma EN 62841, y puede utilizarse para la comparación entre herramientas eléctricas. También es apropiado para una estimación provisional de la carga de vibración.

El nivel vibratorio indicado representa las aplicaciones principales de la herramienta eléctrica. Si, pese a ello, se utiliza la herramienta eléctrica para otras aplicaciones, con útiles adaptables diferentes o con un mantenimiento insuficiente, el nivel vibratorio puede diferir. Esto puede incrementar sensiblemente la carga de vibración durante todo el periodo de trabajo.

Para una estimación exacta de la carga de vibración deberían tenerse en cuenta también los tiempos durante los que el aparato está apagado o, pese a estar en funcionamiento, no está siendo realmente utilizado. Esto puede reducir sustancialmente la carga de vibración durante todo el periodo de trabajo.

Adopte medidas de seguridad adicionales para la protección del operador frente al efecto de las vibraciones, como por ejemplo: mantenimiento de la herramienta eléctrica y de los útiles adaptables, mantener las manos calientes, organización de los procesos de trabajo.

### ADVERTENCIA!

**Lea las indicaciones de seguridad, instrucciones, descripciones y datos que se incluyen en el aparato.** En caso de no atenderse a las advertencias de peligro e instrucciones siguientes, ello puede ocasionar una descarga eléctrica, un incendio y/o lesión grave.

**Guardar todas las advertencias de peligro e instrucciones para futuras consultas.**

### MAGNÉTICA MÁQUINA DE PERFORACIÓN DE BASE INSTRUCCIONES DE SEGURIDAD

Usar siempre las piezas de protección de la máquina. Utilice el equipamiento de protección. Mientras trabaje con la máquina lleve siempre gafas protectoras. Se recomienda utilizar ropa de protección como máscara protectora contra el polvo, guantes

protectores, calzado resistente y antideslizante, casco y protección para los oídos.

No manipular en el rodillo ni en las cuchillas con la máquina conectada.

Nunca se debe intentar limpiar el polvo o viruta procedente del taladrado con la máquina en funcionamiento.

No use útiles dañados.

Fije o asegure la pieza de trabajo. A fin de reducir el riesgo de lesionarse, no sujete la pieza de trabajo con la mano.

ADVERTENCIA! Las conexiones en húmedo producen sacudidas eléctricas.

No utilice lubricante de corte en una superficie elevada o en posiciones que permitan que el lubricante entre al motor o a la caja del interruptor.

**ADVERTENCIA!** Para reducir el riesgo de incendio, lesión personales y daños al producto debido a un cortocircuito, no sumerja nunca la herramienta, el paquete de baterías o el cargador en líquido ni permita que fluya un fluido dentro de ellos. Los fluidos corrosivos o conductivos, como el agua de mar, ciertos productos químicos industriales y blanqueadores o lejías que contienen, etc., Pueden causar un cortocircuito.

No abra nunca las baterías ni los cargadores y guárdelos sólo en lugares secos. Protéjalos de la humedad en todo momento.

Para evitar lesiones y daños, nunca sumerja la herramienta, la batería extraíble o el cargador en líquidos ni permita que penetre líquido en su interior.

Recargar solamente los acumuladores del Sistema M18 en cargadores M18. No intentar recargar acumuladores de otros sistemas.

#### APLICACIÓN DE ACUERDO A LA FINALIDAD

El soporte de taladrar es adecuado para taladrar orificios grandes en acero y otros metales ferrosinos.

#### INDICACIONES PARA EL TRABAJO

La prensa taladradora electromagnética se acopla magnéticamente a material ferroso de 6,35 mm o más grueso. No la utilice en material de menor grosor. La base magnética NO se fijará a acero inoxidable de grado no magnético.

El suelo debajo del soporte de taladrar tiene que estar limpio, ser firme, liso, seco y libre de agujeros y pintura.

No exponga el soporte de taladrar a la lluvia ni lo utilice en recintos húmedos o que no sean a prueba de llamas.

Mantenga la presión constante durante toda la operación para evitar que virutas y rebabas caigan debajo de los bordes de corte. Los restos de material de corte debajo de la cortadora pueden dificultar o imposibilitar el corte.

**ADVERTENCIA!**

El uso excesivo de fuerza liberará el imán.

Evite el contacto con las puntas de la cortadora. Inspeccione periódicamente las puntas de la cortadora para asegurarse que no estén sueltas o dañadas.

Se recomienda el uso de lubricante de corte para prolongar la vida útil de las cortadoras.

En caso de realizar trabajos en superficies inclinadas y verticales o por encima de la cabeza, el soporte de taladrar magnético se tiene que asegurar con la ayuda de la cinta suministrada.

La cinta de seguridad se debe colocar de tal manera que, en caso de fallo del imán, el soporte de taladrar se desplace en sentido contrario al usuario.

Antes de cada utilización de la cinta de seguridad se debe controlar, si ésta presenta signos de deterioro y de envejecimiento. ¡No utilizar una cinta de seguridad defectuosa!

El útil se puede calentar durante el uso.

**ADVERTENCIA!** Peligro de quemaduras

- en caso de cambiar la herramienta
- en caso de depositar el aparato

No extraiga la cortadora a menos que se haya removido el relanzador. El mismo puede eyectarse inesperadamente.

#### PARADA AUTOMÁTICA

En caso de producirse una fuerza de rotación excesiva y brusca sobre el imán, la máquina se apaga automáticamente mediante la PARADA AUTOMÁTICA. Averigüe y elimine la causa de la parada automática, teniendo en cuenta las indicaciones de seguridad.

Causas posibles para ello pueden ser:

- Rotura del material con el que está trabajando.
- Sobrecarga de la herramienta eléctrica debido a un avance excesivo.
- Superficie magnética sucia.

Apagar y volver a encender la máquina.

#### PROTECCIÓN CONTRA EL REARRANQUE

La máquina conectada no se vuelve a poner en marcha después de un fallo de corriente. Para continuar el trabajo, desconectar y volver a conectar la máquina.

#### BLOQUEO DEL MOTOR/IMÁN

El enclavamiento del motor/imán es una característica que evita la aplicación de potencia al motor del taladro cuando el imán no se encuentra energizado. El enclavamiento del motor/imán evita además que el imán se desenergice mientras el motor se encuentra en marcha.

#### DECLARACION DE CONFORMIDAD CE

Declaramos bajo nuestra única responsabilidad que el producto descrito bajo „Datos técnicos“ cumple todas las disposiciones pertinentes de las directivas

2011/65/UE (RoHS)

2006/42/CE

2014/30/UE

y que se han implementado

EN 62841-1:2015

EN 55014-1:2017:A11 2020

EN 55014-2:2015

EN IEC 63000:2018

y estándares



Winnenden, 2020-11-10

Alexander Krug / Managing Director

Autorizado para la redacción de los documentos técnicos.

Techtronic Industries GmbH

Max-Eyth-Straße 10, 71364 Winnenden, Germany

#### BATERIA

Las baterías no utilizadas durante cierto tiempo deben ser recargadas antes de usar.

Las temperaturas superiores a 50°C reducen el rendimiento de la batería. Evite una exposición excesiva a fuentes de calor o al sol (riesgo de sobrecalentamiento).

Los puntos de contacto de los cargadores y las baterías se deben mantener limpios.

Para un tiempo óptimo de vida, deberán cargarse las baterías completamente después de su uso.



Para garantizar la máxima capacidad y vida útil, las baterías recargables se deberían retirar del cargador una vez finalizada la carga. En caso de almacenar la batería recargable más de 30 días: Almacenar la batería recargable en un lugar seco a una temperatura de aproximadamente 27°C. Almacenar la batería recargable con un estado de carga del 30% y 50% aproximadamente. Recargar la batería cada 6 meses.

No tire las baterías usadas a la basura ni al fuego. Los Distribuidores Milwaukee ofrecen un servicio de recogida de baterías antiguas para proteger el medio ambiente.

No almacene la batería con objetos metálicos (riesgo de cortocircuito).

No introduzca en la cavidad del cargador objetos metálicos (riesgo de cortocircuito).

En caso de sobrecarga o alta temperatura, pueden llegar a producirse escapes de ácido provenientes de la batería. En caso de contacto con éste, limpie inmediatamente la zona con agua y jabón. Si el contacto es en los ojos, límpiese concienzudamente con agua durante 10 minutos y acuda inmediatamente a un médico



E

### PROTECCIÓN CONTRA SOBRECARGA DE LA BATERÍA

En caso de sobrecarga de la batería a causa de un consumo de corriente demasiado elevado, por ejemplo, en momentos de torsión extremadamente altos, de una parada o cortocircuito repentinos; el aparato eléctrico vibra durante 5 segundos, el indicador de carga parpadea y el aparato eléctrico se desconecta automáticamente. Para conectarlo de nuevo, soltar el botón de encendido y después conectarlo otra vez. Bajo cargas extremas la batería se calienta demasiado. En este caso, todas las luces del indicador de carga parpadean hasta que la batería se enfría. Cuando se apaga el indicador de carga se puede trabajar de nuevo.

Meta entonces la batería en el cargador para recargarla otra vez y activarla.

### TRANSPORTE DE BATERÍAS DE IONES DE LITIO

Las baterías de iones de litio caen bajo las disposiciones legales relativas al transporte de mercancías peligrosas.

El transporte de estas baterías recargables debe llevarse a cabo, observando las normas y disposiciones locales, nacionales e internacionales.

Los consumidores pueden transportar estas baterías recargables sin el menor reparo en la calle.

El transporte comercial de baterías recargables de iones de litio por empresas de transportes está sometido a las disposiciones del transporte de mercancías peligrosas. Las preparaciones para el envío y el transporte deben ser llevados a cabo exclusivamente por personas instruidas adecuadamente. El proceso completo debe ser supervisado por personal competente.

Los siguientes puntos se deben observar para el transporte de las baterías recargables:

Se debe asegurar que los contactos estén protegidos y aislados para evitar que se produzcan cortocircuitos.

Preste atención a que el conjunto de baterías recargables no se pueda desplazar dentro del envase.

Las baterías recargables deterioradas o derramadas no se deben transportar.

Rogamos que para cualquier información adicional se dirija a su empresa de transportes.

### MANTENIMIENTO

Antes de cada utilización del aparato, controlar si el cable de conexión, el cable alargador y el enchufe presentan signos de deterioro y de envejecimiento. Las piezas defectuosas sólo pueden ser reparadas por un especialista.

Las ranuras de ventilación de la máquina deben estar despejadas en todo momento.

De vez en cuando, aplique unas cuentas gotas de aceite en los dientes de la cremallera. Los rodamientos del eje de avance son autolubrificantes y no se deben engrasar. Lubrique la superficie de deslizamiento del carro con grasa Molykote.

Quite siempre el polvo y la suciedad de la herramienta. Observe que la manija se encuentre en todo momento limpia, seca y libre de aceite o grasa. Detergentes y disolventes son nocivos para materiales plásticos y demás partes aislantes. Emplee por ello para su limpieza únicamente jabón suave y un paño húmedo. No utilice jamás solventes inflamables cerca de la herramienta.

Utilice solamente accesorios y repuestos Milwaukee. En caso de necesitar reemplazar componentes no descritos, contacte con cualquiera de nuestras estaciones de servicio Milwaukee (consultar lista de servicio técnicos)

En caso necesario, puede solicitar un despiece de la herramienta. Por favor indique el número de impreso que hay en la etiqueta y pida el despiece a la siguiente dirección: Techtronix Industries GmbH, Max-Eyth-Straße 10, 71364 Winnenden, Germany.

### SÍMBOLOS



¡ATENCIÓN! ¡ADVERTENCIA! ¡PELIGRO!



Retire la batería antes de comenzar cualquier trabajo el aparato.



Si con el soporte de taladro se realizan trabajos por encima del nivel de la cabeza, estos trabajos siempre deberán ser realizados por dos personas. La herramienta eléctrica debe ser transportada siempre por dos personas para evitar lesiones en la espalda.



Lea las instrucciones detenidamente antes de conectar la herramienta



Para trabajar con la máquina, utilizar siempre gafas de protección.



Usar protectores auditivos!



Usar guantes protectores




¡PELIGRO! A fin de reducir el riesgo de lesionarse, mantenga siempre las manos, los trapos, la ropa, etc. alejados de las partes móviles y de las virutas. No trate de remover las virutas mientras la cortadora esté girando. Las virutas son afiladas y pueden tirar de objetos hacia las partes móviles.





Esta prohibido llevar consigo piezas metálicas y relojes.





Las personas con marcapasos u otros implantes médicos no deberán emplear este soporte de taladrar.

 Realización de los medios magnéticos o electrónicos prohibida.

 No exponga la máquina a la lluvia.

 Broca para agujeros roscados


 Broca de metal duro


 Los electrodomésticos y las baterías/acumuladores no se deben eliminar junto con la basura doméstica. Los aparatos eléctricos y los acumuladores se deben recoger por separado y se deben entregar a una empresa de reciclaje para una eliminación respetuosa con el medio ambiente. Infórmese en las autoridades locales o en su tienda especializada sobre los centros de reciclaje y puntos de recogida.

**n<sub>0</sub>** Velocidad en vacío


**V** Voltios

 Corriente continua

 Marcado de conformidad europeo

 Marcado de conformidad británico

 Marcado de conformidad ucraniano

 Marcado de conformidad euroasiático





CARACTERÍSTICAS TÉCNICAS Máquina magnética de perfuração do núcleo	M18 FMDP
Número de produção	4692 83 02... ... 000001-999999
Tensão do acumulador	18 V
Velocidade em vazio	400 min <sup>-1</sup> 690 min <sup>-1</sup>
Curso	146 mm
Máx. potência magnética	8,89 kN
Recepção do veio	19 mm Weldon
Máx. diâmetro de furação com brocas de coroa	38 mm
Máx. diâmetro de furação com brocas normais	13 mm
Peso nos termos do procedimento-EPTA 01/2014 (Li-Ion 2,0 Ah ... 12,0 Ah)	13,9 ... 14,5 kg
Temperatura ambiente recomendada para a operação	-18°C ... +50°C
Conjuntos de baterias recomendados	M18B..., M18HB...
Carregadores recomendados	M12-18..., M1418 C6
<b>Informações sobre ruído</b>	
Valores de medida de acordo com EN 62841. O nível de ruído avaliado A do aparelho é tipicamente:	
Nível da pressão de ruído (Incertez K=3dB(A))	82,4 dB(A)
Nível da potência de ruído (Incertez K=3dB(A))	93,4 dB(A)
<b>Use protectores auriculares!</b>	
<b>Informações sobre vibração</b>	
Valores totais de vibração (soma dos vectores das três direcções) determinadas conforme EN 62841.	
Valor de emissão de vibração a <sub>h</sub> (Li-Ion 2,0 Ah)	1,69 m/s <sup>2</sup>
Incerteza K=	1,5 m/s <sup>2</sup>

## ATENÇÃO

O nível vibratório indicado nestas instruções foi medido em conformidade com um procedimento de medição normalizado na EN 62841 e pode ser utilizado para comparar entre si ferramentas eléctricas. O mesmo é também adequado para avaliar provisoriamente o esforço vibratório.

O nível vibratório indicado representa as principais aplicações da ferramenta eléctrica. Se, no entanto, a ferramenta eléctrica for utilizada para outras aplicações, com outras ferramentas adaptadas ou uma manutenção insuficiente, o nível vibratório poderá divergir. Isto pode aumentar consideravelmente o esforço vibratório ao longo de todo o período do trabalho.

Para uma avaliação exacta do esforço vibratório devem também ser considerados os tempos durante os quais o aparelho está desligado ou está a funcionar, mas não está efectivamente a ser utilizado. Isto pode reduzir consideravelmente o esforço vibratório ao longo de todo o período do trabalho.

Defina medidas de segurança suplementares para proteger o operador do efeito das vibrações, como por exemplo: manutenção da ferramenta eléctrica e das ferramentas adaptadas, manter as mãos quentes, organização das sequências de trabalho.

## ATENÇÃO!

**Ler todas as indicações de segurança, instruções, representações e dados fornecidos juntamente com o aparelho.** O desrespeito das advertências e instruções apresentadas abaixo pode causar choque eléctrico, incêndio e/ou graves lesões.

**Guarde bem todas as advertências e instruções para futura referência.**

## MÁQUINA MAGNÉTICA DE PERFURAÇÃO DO NÚCLEO INSTRUÇÕES DE SEGURANÇA

Nunca utilizar a máquina sem dispositivo de protecção. Utilizar equipamento de protecção. Durante os trabalhos com a máquina, usar sempre óculos de protecção. Vestuário de protecção, bem como máscara de pó, sapatos fechados e antiderrapante, capacete e protecção auditiva são recomendados.

Não introduza as mãos na área perigosa, estando a máquina em funcionamento.

Não remover aparas ou lascas enquanto a máquina trabalha.

Não utilizar ferramentas de trabalho danificadas.

Werkstücke sicher befestigen oder festspannen. Para reduzir o risco de lesões corporais, não segurar ou apoiar a peça de trabalho com as mãos.

**ATENÇÃO!** A presença de humidade nos contactos constitui um risco de choque eléctrico.

Não utilizar o fluido de corte numa posição que possa permitir a entrada de fluido de corte no motor ou no interruptor.

**ATENÇÃO!** Para evitar o risco de incêndio, de feridas ou de danificação do produto causado por um curto-circuito, não imerja a bateria intercambiável ou o carregador em líquidos e assegure-se de que líquidos não penetrem nos aparelhos ou nas baterias. Líqui-

dos corrosivos ou condutivos como água salgada, determinadas substâncias químicas ou produtos que contenham branqueadores podem causar um curto-circuito.

Carregadores só devem ser utilizados em recintos secos.

Para evitar lesões e danos, nunca mergulhe a ferramenta, a bateria amovível ou o carregador em líquidos nem permita que entrem líquidos no seu interior.

Use apenas carregadores do Sistema M18 para recarregar os acumuladores do Sistema M18. Não utilize acumuladores de outros sistemas.

### UTILIZAÇÃO AUTORIZADA

A coluna de suporte é adequada para furar grandes diâmetros em aço e outros metais ferruginosos.

### DICAS DE TRABALHO

O engenho de furar electromagnético permite a sua fixação magnética a peças de metal ferroso com espessura igual ou superior a 6,35 mm. Não utilizar em peças com menos de 6,35 mm de espessura. A base magnética NÃO efectua qualquer retenção em aços inoxidáveis de tipo não magnético.

A base por baixo do engenho de furar deve ser limpa, fixa, plana, seca e livre de orifícios e tinta.

Não exponha a coluna de suporte à chuva e não a utilize em salas húmidas e sem serem à prova de fogo.

Manter uma pressão constante durante toda a operação, de modo a impedir a queda das aparas e rebarbas sobre os bordos de corte. A presença de aparas e limalhas sob a ferramenta de corte pode dificultar ou mesmo impossibilitar a operação de corte.

#### ATENÇÃO!

Com uma força excessiva, o íman liberta-se da peça de trabalho.

Evitar o contacto com as pontas da ferramenta de corte. Inspeccionar periodicamente as pontas da ferramenta de corte e verificar se existem pontas soltas ou danificadas. Evitar o contacto com as pontas da ferramenta de corte. Inspeccionar periodicamente as pontas da ferramenta de corte e verificar se existem pontas soltas ou danificadas.

Para a máxima durabilidade dos acessórios de corte, recomenda-se a utilização de fluido de corte.

Nos trabalhos em superfícies inclinadas e verticais e acima da cabeça o engenho de furar magnético deve ser fixado com o cinto fornecido.

O cinto de segurança deve ser fixado, de forma que o engenho de furar se afaste do utilizador em caso de falha do íman.

Antes de qualquer utilização, verifique se o cinto de segurança está danificado ou desgastado. Não use cintos de segurança defeituosos!

A ferramenta de inserção pode ficar quente durante a operação.

ATENÇÃO! Perigo de queimar-se

- na troca das ferramentas
- ao depositar o aparelho

Não remover a ferramenta de corte, sem remover primeiro as limalhas. As limalhas podem ser ejectadas inesperadamente.

### PARADA AUTOMÁTICA

Com a PARADA AUTOMÁTICA, a máquina é desligada automaticamente em caso de força de rotação excessiva, aos solavancos. Detecte e elimine a causa da parada automática, observando as instruções de segurança.

Causas possíveis podem ser:

- Ruptura do material a processar
- Sobrecarga da ferramenta eléctrica devido ao avanço demasiado
- Superfície do íman suja

Desligue e ligue novamente a máquina

### PROTECÇÃO DE REINÍCIO

Após uma falha de tensão a máquina ligada não arrancará mais. Para continuar a trabalhar, desligue e ligue a máquina novamente.

### BLOQUEIO ENCRAVAMENTO/ÍMAN

O sistema de encravamento/íman destina-se a impedir a alimentação da corrente do motor da ferramenta, se o íman não estiver energizado. Este sistema impede ainda a desenergização do íman durante o funcionamento do motor.

### DECLARAÇÃO DE CONFORMIDADE CE

Declaramos, sob a nossa inteira responsabilidade, que o produto descrito em «Dados Técnicos» cumpre todas as disposições relevantes das diretivas

2011/65/UE (RoHS)

2006/42/CE

2014/30/UE

tendo sido seguidas as seguintes normas harmonizadas

EN 62841-1:2015

EN 55014-1:2017:A11 2020

EN 55014-2:2015

EN IEC 63000:2018



Winnenden, 2020-11-10

Alexander Krug / Managing Director  
Autorizado a reunir a documentação técnica.

Techtronic Industries GmbH

Max-Eyth-Straße 10, 71364 Winnenden, Germany

### ACUMULADOR

Acumuladores não utilizados durante algum tempo devem ser recarregados antes da sua utilização.

Temperaturas acima de 50°C reduzem a capacidade do bloco acumulador. Evitar exposição prolongada ao sol ou a caloríferos.

Manter limpos os contactos eléctricos no carregador e no bloco acumulador.

Para uma vida útil óptima das baterias, terá que carregá-las plenamente após a sua utilização.

Para assegurar uma vida útil longa, o pacote de bateria deve ser removido da carregadora depois do carregamento.

Se o pacote de bateria for armazenado por mais de 30 dias: Armazene o pacote de bateria com aprox. 27°C em um lugar seco. Arma-



zene o pacote de bateria com aprox. 30%-50% da carga completa. Carregue o pacote de bateria novamente de 6 em 6 meses.

Não queimar acumuladores gastos nem deitá-los no lixo doméstico. A Milwaukee possui uma eliminação de acumuladores gastos que respeita o meio ambiente.

Não guardar acumuladores junto com objectos metálicos (perigo de curto-circuito).

Não abrir acumuladores e carregadores. Armazená-los em recintos secos. Protegê-los contra humidade.

Em caso de cargas ou temperaturas extremas, um acumulador de substituição danificado poderá verter líquido de bateria. Se entrar em contacto com este líquido, deverá lavar-se imediatamente com água e sabão. Em caso de contacto com os olhos, enxagúe-os bem e de imediato durante pelo menos 10 minutos e consulte um médico o mais depressa possível.



Por

### PROTEÇÃO DE SOBRECARGA DE BATERIA

No caso de sobrecarga da bateria devido a um consumo de corrente demasiado elevado, por exemplo um binário de rotação extremamente elevado, uma paragem repentina ou um curto-circuito, a ferramenta eléctrica vibra durante 5 segundos, o indicador de carregamento de bateria começa a piscar e a ferramenta eléctrica desliga-se automaticamente. Para a ligar novamente, desligar e voltar a ligar o interruptor. Sob condições extremas, a bateria aquece demasiado. Nesse caso, todas as luzes do indicador de carregamento de bateria piscam até que esta arrefeça. Após as luzes do indicador de carregamento de bateria se apagarem, pode-se continuar a trabalhar.

Voltar então a colocar o acumulador no carregador para o carregar de novo e para assim o activar.

### TRANSPORTE DE BATERIAS DE IÃO-LÍTIO

Baterias de ião-lítio estão sujeitas às disposições da legislação relativa às substâncias perigosas.

O transporte destas baterias deve ser efetuado de acordo com as disposições e os regulamentos locais, nacionais e internacionais.

O utilizador pode efetuar o transporte rodoviário destas baterias sem restrições.

O transporte comercial de baterias de ião-lítio por terceiros está sujeito aos regulamentos relativos às substâncias perigosas. A preparação do transporte e o transporte devem ser executados exclusivamente por pessoas instruídas e o processo deve ser acompanhado pelos especialistas correspondentes.

Observe o seguinte no transporte de baterias:

Assegure-se de que os contactos terminais estejam protegidos e isolados para evitar um curto-circuito.

Assegure-se de que o bloco da bateria esteja protegido contra movimentos na embalagem.

Não transporte baterias danificadas ou que tenham fuga.

Para instruções mais detalhadas consulte a companhia de transportes

### MANUTENÇÃO

Antes de qualquer utilização do aparelho, verifique se o cinto de segurança e a ficha estão danificados ou desgastados. Deixe um especialista reparar as peças danificadas.

Manter desobstruídos os rasgos de ventilação na carcaça da máquina.

De tempos a tempos, coloque umas gotas de óleo na cremalheira. Os rolamentos do veio de alimentação são auto-cortantes e não devem ser lubrificados. Lubrifique a superfície da calha de posicionamento com massa Molykote.

Limpe o aparelho sempre que este esteja sujo ou coberto em pó. Mantenha o cabo suporte sempre limpo, seco e livre de óleo e gordura. Produtos de limpeza e solventes afectam plásticos e outros materiais de isolamento. Por isso use apenas um pano com um sabão pouco agressivo para limpar o aparelho. Nunca utilize solventes inflamáveis perto do aparelho.

Utilizar apenas acessórios Milwaukee e peças sobresselentes Milwaukee. Os componentes cuja substituição não esteja descrita devem ser substituídos num serviço de assistência técnica Milwaukee (consultar a brochura relativa à garantia/moradas dos serviços de assistência técnica).

A pedido e mediante indicação da referência que consta da chapa de características da máquina, pode requerer-se um desenho explosivo da ferramenta eléctrica a: Techtronic Industries GmbH, Max-Eyth-Straße 10, 71364 Winnenden, Germany.

### SYMBOLS



ATENÇÃO! PERIGO!



Antes de efectuar qualquer intervenção o aparelho retirar o bloco acumulador.



Ao efectuar trabalhos sobre a cabeça com o berbequim de furação, sempre trabalhe com duas pessoas. Sempre carregue a ferramenta eléctrica com duas pessoas para evitar feridas das costas.



Leia atentamente o manual de instruções antes de colocar a máquina em funcionamento.



Usar sempre óculos de protecção ao trabalhar com a máquina.



Use protectores auriculares!



Use luvas de protecção!




PERIGO! Para reduzir o risco de lesões corporais, nunca aproximar as mãos, desperdícios de limpeza, vestuário, etc. das peças móveis ou em movimento e das aparas. Não remover as aparas com a ferramenta de corte em movimento. As aparas apresentam arestas cortantes e podem puxar os objectos na direcção das peças em movimento.




É proibido usar objectos metálicos e relógios.




Pessoas com estimuladores cardíacos ou outros implantes medicinais não devem usar esta coluna de perfuração.

 Realização de meio magnético ou eletrónico proibida.

 Não exponha a máquina à chuva.

 Broca trepanadora

 Broca integral

 Aparelhos eléctricos, baterias/acumuladores não devem ser jogados no lixo doméstico. Os aparelhos eléctricos e as baterias devem ser colectados separadamente e entregues a uma empresa de reciclagem para a eliminação correcta. Solicite informações sobre empresas de reciclagem e postos de colecta de lixo das autoridades locais ou do seu vendedor autorizado.

**n<sub>0</sub>** Velocidade em vazio

**V** Volts

 Corrente contínua

 Marca de Conformidade Europeia

 Marca de Conformidade Britânica

 Marca de Conformidade Ucraniana

 Marca de Conformidade Eurasiática





TECHNISCHE GEGEVENS Magnetische kern boormachine	M18 FMDP
Productienummer	4692 83 02... ... 000001-999999
Spanning wisselakku	18 V
Onbelast toerental	400 min <sup>-1</sup> 690 min <sup>-1</sup>
Slaglengte	146 mm
Max. magneetkracht	8,89 kN
Asopname	19 mm Weldon
Boor-Ø max met kerngatboren	38 mm
Boor-Ø max. met spiraalboren	13 mm
Gewicht volgens de EPTA-procedure 01/2014 (Li-Ion 2,0 Ah ... 12,0 Ah)	13,9 ... 14,5 kg
Aanbevolen omgevingstemperatuur voor het bedrijf	-18°C ... +50°C
Aanbevolen accupacks	M18B..., M18HB...
Aanbevolen laadtoestellen	M12-18..., M1418 C6
<b>Geluidsinformatie</b>	
Meetwaarden vastgesteld volgens EN 62841. Het kenmerkende A-gewogen geluidsniveau van de machine bedraagt:	
Geluidsdrukniveau (Onzekerheid K=3dB(A))	82,4 dB(A)
Geluidsvermogensniveau (Onzekerheid K=3dB(A))	93,4 dB(A)
<b>Draag oorbeschermers!</b>	
<b>Trillingsinformatie</b>	
Totale trillingswaarden (vectorsom van drie richtingebepaald volgens EN 62841.	
Trillingsemisiewaarde a <sub>h</sub> (Li-Ion 2,0 Ah)	1,69 m/s <sup>2</sup>
Onzekerheid K=	1,5 m/s <sup>2</sup>

## WAARSCHUWING

De in deze aanwijzingen vermelde trillingsdruk is gemeten volgens een in EN 62841 genormeerde meetmethode en kan worden gebruikt voor de onderlinge vergelijking van apparaten. Hij is ook geschikt voor een voorlopige inschatting van de trillingsbelasting.

De aangegeven trillingsdruk geldt voor de meest gebruikelijke toepassingen van het elektrische apparaat. Wanneer het elektrische gereedschap echter voor andere doeleinden, met andere dan de voorgeschreven hulpstukken gebruikt of niet naar behoren onderhouden wordt, kan de trillingsdruk afwijken. Dit kan de waarde van de trillingsdruk over de hele werkperiode aanzienlijk verhogen.

Voor een nauwkeurige inschatting van de trillingsdruk moeten ook de tijden in aanmerking worden genomen dat het apparaat uitgeschakeld is of weliswaar loopt, maar niet werkelijk in gebruik is. Dit kan de waarde van de trillingsdruk over de hele werkperiode aanzienlijk verminderen.

Bepaal extra veiligheidsmaatregelen ter bescherming van de bediener tegen de inwerking van trillingen, bijvoorbeeld: onderhoud van elektrische gereedschappen en apparaten, warmhouden van de handen, organisatie van de werkprocessen.

### WAARSCHUWING!

**Lees en bekijk alle veiligheidsaanwijzingen, aanwijzingen, afbeeldingen en gegevens die u bij het apparaat ontvangt.**

Als de waarschuwingen en voorschriften niet worden opgevolgd, kan dit een elektrische schok, brand of ernstig letsel tot gevolg hebben.

**Bewaar alle waarschuwingen en voorschriften voor toekomstig gebruik.**

### MAGNETISCHE KERN BOORMACHINE VEILIGHEIDSADVIEZEN

Bescherming van de machine beslist gebruiken. Draag veiligheidsuitrusting. Bij werkzaamheden met de machine dient u altijd een veiligheidsbril te dragen. Veiligheidskleding zoals stofmasker, veiligheidshandschoenen, stevig en slipvast schoeisel, helm en gehoorscherming worden aanbevolen.

Niet aan de draaiende delen komen.

Spanen of splinters mogen bij draaiende machine niet worden verwijderd.

Gebruik geen beschadigde inzetgereedschappen.

Werkstuk veilig bevestigen of vastspannen. Verminder de kans op letsel: houd het werkstuk niet met de hand vast.

**WAARSCHUWING!** Natte verbindingen vormen een gevaar voor schokken.

Gebruik geen snijvloeistof in een hoge positie of in een andere positie waarbij snijvloeistof in de behuizing van de motor of de schakelaars kan stromen.

**WAARSCHUWING!** Voorkom brand, persoonlijk letsel of materiële schade door kortsluiting en doppel het gereedschap, de wisselaccu en het laadtoestel niet onder in vloeistoffen en waarborg dat geen vloeistoffen in de apparaten en accu's kunnen dringen. Corrosieve of geleidende vloeistoffen zoals zout water, bepaalde chemicaliën,

bleekmiddelen of producten die bleekmiddelen bevatten, kunnen een kortsluiting veroorzaken.

Wisselakku's en laadapparaten niet openen en alleen in droge ruimtes opslaan. Tegen vocht beschermen.

Om verwondingen te voorkomen mag u het gereedschap, de verwijderbare accu of de lader nooit in een vloeistof dopen of vloeistof in deze apparaten laten doordringen.

Wisselakku's van het Akku-Systeem M18 alléén met laadapparaten van het Akku-Systeem M18 laden. Geen akku's van andere systemen laden.

## VOORGESCHREVEN GEBRUIK VAN HET SYSTEEM

De boorstandaard is ideaal voor het boren van grote diameters in staal en andere ijzerhoudende metalen.

## ARBEIDSTRUCHTIES

De elektromagnetische boorstandaard wordt op ferromateriaal met een dikte van minstens 6,35 mm magnetisch bevestigd. Gebruik hem niet op materiaal met een dikte van minder dan 6,35 mm. De magnetische voet houdt NIET op niet-magnetisch roestvast staal.

De ondergrond onder de boorstandaard moet schoon, vast, effen, droog en vrij van gaten en lak zijn.

Stel de boorstandaard niet bloot aan regen en gebruik hem niet in natte, vochtige of explosiegevaarlijke ruimtes.

Houd de druk gedurende het boren steeds constant om te voorkomen dat schiffers en bramen onder de messen vallen. Snijafval onder de snijder kan het snijden moeilijk of onmogelijk maken.

### WAARSCHUWING!

Door overmatige kracht wordt de magneet losgebroken.

Vermijd contact met de punten van de snijder. Controleer regelmatig de punten van de snijder loszitten of beschadigd zijn.

Voor een lange levensduur van deze snijders wordt het gebruik van snijvloeistof aanbevolen.

Bij werkzaamheden aan schuine en verticale vlakken en bij bovenhoofdse werkzaamheden moet de magneetboorstandaard worden beveiligd met de bijgeleverde riem.

De veiligheidsriem moet zodanig worden aangebracht dat de boorstandaard van de bediener weg beweegt bij uitval van de magneet.

De veiligheidsriem moet vóór ieder gebruik op schade en slijtage worden gecontroleerd. Gebruik geen defecte veiligheidsriem!

Het gereedschap kan heet worden tijdens het gebruik.

### WAARSCHUWING! Gevaar voor verbranding

- bij het vervangen van het gereedschap
- bij het neerleggen van het apparaat

Verwijder de snijder alleen als de prop verwijderd is. De prop kan onverwachts worden uitgestoten.

## AUTO-STOP

Door de AUTO STOP wordt de machine automatisch uitgeschakeld bij een te hoge, schokkende draaikracht op de magneet. Achterhaal en verhelp de oorzaak voor de automatische stop met inachtneming van de veiligheidsinstructies.

Mogelijke oorzaken zijn:

- Doorbreken van het te bewerken materiaal
- Overbelasting van het elektrische gereedschap door een te snelle aanvoer
- Verontreinigd magneetoppervlak

De machine uit- en weer inschakelen

## HERSTARTBEVEILIGING

Na een spanningsuitval schakelt de machine niet automatisch weer in. Schakel de machine uit en weer in om door te kunnen werken.

## MOTOR-/MAGNEETBEVEILIGING

De motor-/magneetbeveiliging voorkomt dat stroom aan de boormotor wordt geleverd als de magneet niet bekrachtigd is. De motor-/magneetbeveiliging voorkomt ook dat de magneet stroomloos wordt gesteld terwijl de motor loopt.

## EC - VERKLARING VAN OVEREENSTEMMING

We verklaren geheel onder eigen verantwoordelijkheid dat het product in de "Technische data" voldoet aan alle relevante bepalingen van de richtlijnen

2011/65/EU (RoHS)

2006/42/EG

2014/30/EU

en de volgende geharmoniseerde normen

EN 62841-1:2015

EN 55014-1:2017:A11 2020

EN 55014-2:2015

EN IEC 63000:2018

zijn gebruikt.



Winnenden, 2020-11-10

Alexander Krug / Managing Director

Gemachtigd voor samenstelling van de technische documenten

Techtronic Industries GmbH

Max-Eyth-Straße 10, 71364 Winnenden, Germany

## AKKU

Langere tijd niet toegepaste wisselakku's vóór gebruik altijd naladen.

Een temperatuur boven de 50°C vermindert de capaciteit van de accu. Langdurige verwarming door zon of hitte vermijden.

De aansluitcontacten aan het laadapparaat en de accu schoonhouden.

Voor een optimale levensduur moeten de accu's na het gebruik volledig opgeladen worden.

Voor een zo lang mogelijke levensduur van de accu's dienen deze na het opladen uit het laadtoestel te worden verwijderd.



Bij een langere opslag van de accu dan 30 dagen: accu bij ca. 27 °C droog bewaren. accu bij ca. 30 % - 50 % van de laadtoestand bewaren. accu om de 6 maanden opnieuw opladen.

Verbruikte accu's niet in het vuur of bij het huisvuil werpen. Milwaukee biedt namelijk een milieuvriendelijke recyclingmethode voor uw oude accu's.

Wisselakku's niet bij metalen voorwerpen bewaren (kortsluitingsgevaar!).

In de wisselakku-opnameschacht van het laadapparaat mogen geen metaaldeeltjes komen (kortsluitingsgevaar!).

Onder extreme belasting of extreme temperaturen kan uit de accu accu-vloeistof lopen. Na contact met accu-vloeistof direct afwassen met water en zeep. Bij oogcontact direct minstens 10 minuten grondig spoelen en onmiddellijk een arts raadplegen.

## OVERBELASTINGSBEVEILIGING VAN DE ACCU

Bij overbelasting van de accu door zeer hoog stroomverbruik, bijv. extreem hoge draaimomenten, plotseling stoppen of kortsluiting, vibreert het elektrische gereedschap gedurende 5 seconden, de laadweergave knippert en het elektrische gereedschap schakelt automatisch uit. Om het gereedschap weer in te schakelen, moet de drukschakelaar loslaten en vervolgens weer inschakelen. Onder extreme belastingen wordt de accu te heet. In dit geval knippen alle lampen van de laadweergave totdat de accu afgekoeld is. Na het doven van de laadweergave kunt u weer verder werken.

Steek de accu in het laadtoestel om hem weer op te laden en te activeren.

## TRANSPORT VAN LITHIUM-IONEN-ACCU'S

Lithium-ionen-accu's vallen onder de wettelijke bepalingen inzake het transport van gevaarlijke goederen.

Voor het transport van deze accu's moeten de lokale, nationale en internationale voorschriften en bepalingen in acht worden genomen.

Verbruikers mogen deze accu's zonder meer over de weg transporteren.

Het commerciële transport van lithium-ionen-accu's door expeditiebedrijven is onderhevig aan de bepalingen inzake het transport van gevaarlijke goederen. De verzendingsvoorbereidingen en het transport mogen uitsluitend worden uitgevoerd door dienovereenkomstig opgeleide personen. Het complete proces moet vakkundig worden begeleid.

Onderstaande punten moeten bij het transport van accu's in acht worden genomen:

Waarborg ter vermindering van kortsluitingen dat de contacten beschermd en geïsoleerd zijn.

Let op dat het accupack in de verpakking niet kan verschuiven.

Beschadigde of lekkende accu's mogen niet worden getransporteerd.

Neem voor meer informatie contact op met uw expeditiebedrijf.

## ONDERHOUD

Controleer vóór elk gebruik het toestel, de voedings- en de verlengkabel, de veiligheidsriem evenals de stekker op beschadigingen en slijtage. Beschadigde onderdelen mogen alleen worden gerepareerd door een vakman.

Altijd de luchtspleten van de machine schoonhouden.

Geef de vertanding van de tandstang van tijd tot tijd een paar dropeltjes olie. De lagers van de voedingsaandrijfas zijn zelfsmierend en mogen niet worden gesmeerd. Het glijvlak van de slede met Molykote-vet smeren.

Houd het apparaat vrij van stof en verontreinigingen. Houd de handgreep schoon, droog en vrij van olie of vet. Reinigings- en oplosmiddelen zijn schadelijk voor kunststoffen en andere isolerende onderdelen. Reinig het apparaat daarom alleen met een vochtige doek. Gebruik nooit brandbare oplosmiddelen in de buurt van het apparaat.

Gebruik uitsluitend Milwaukee toebehoren en onderdelen. Indien componenten die moeten worden vervangen niet zijn beschreven, neem dan contact op met een officieel Milwaukee servicecentrum (zie onze lijst met servicecentra).

Onder vermelding van het nummer op het machineplaatje is desgewenst een doorsnedetekening van de machine verkrijgbaar bij: Techtronic Industries GmbH, Max-Eyth-Straße 10, 71364 Winnenden, Germany.

## SYMBOLLEN



OPGELET! WAARSCHUWING! GEVAAR!



Voor alle werkzaamheden aan de apparat de accu verwijderen.



Werk bij bovenhoofdse werkzaamheden met de boorstandaard altijd met twee personen. Draag het elektrische gereedschap altijd met twee personen om rugletsel te vermijden.



Graag instructies zorgvuldig doorlezen vóórdat u de machine in gebruik neemt.



Bij het werken met de machine altijd een veiligheidsbril dragen.



Draag oorbeschermers!



Draag veiligheidshandschoenen!



GEVAAR! Verminder de kans op letsel: houd uw handen, doeken, kleding enz. altijd bij bewegende onderdelen en schiffers vandaan. Probeer niet om schiffers te verwijderen terwijl de snijder draait. Schiffers zijn scherp en kunnen voorwerpen in bewegende onderdelen trekken.



Meevoeren van metalen delen en uurwerken is verboden.



Personen met pacemaker of andere medische implantaten mogen deze boorstandaard niet gebruiken.



Het dragen van magnetische of elektronische media verboden.



Stel de machine niet bloot aan regen.



Kerngatboor



Volboor



Elektrische apparaten, batterijen en accu's mogen niet via het huisafval worden afgevoerd. Elektrische apparaten en accu's moeten gescheiden worden verzameld en voor een milieuvriendelijke afvoer worden afgegeven bij een recyclingbedrijf. Informeer bij uw gemeente of bij uw vakhandelaar naar recyclingbedrijven en inzamelpunten.

**n<sub>0</sub>** Onbelast toerental

**V** V

 Gelijkstroom



Europees symbool van overeenstemming



Brits symbool van overeenstemming



Oekraïens symbool van overeenstemming



Euro-Aziatisch symbool van overeenstemming





TEKNISKE DATA Magnetiske kerne bore maskine	M18 FMDP
Produktionsnummer	4692 83 02... ... 000001-999999
Udskiftningsbatteriets spænding	18 V
Omdrejningstal, ubelastet	400 min <sup>-1</sup> 690 min <sup>-1</sup>
Løftehøjde	146 mm
Max. magnetkraft	8,89 kN
Spindelholder	19 mm Weldon
Bore- $\varnothing$ med kernehulbor	38 mm
Bore- $\varnothing$ med kernebor	13 mm
Vægt svarer til EPTA-procedure 01/2014 (Li-Ion 2,0 Ah ... 12,0 Ah)	13,9 ... 14,5 kg
Anbefalet omgivelsestemperatur til driften	-18°C ... +50°C
Anbefalede batteripakker	M18B..., M18HB...
Anbefalede opladere	M12-18..., M1418 C6
<b>Støjinformation</b> Måleværdier beregnes iht. EN 62841. Værktøjets A-vurderede støjniveau er typisk:	
Lydtrykkniveau (Usikkerhed K=3dB(A))	82,4 dB(A)
Lydeffekt niveau (Usikkerhed K=3dB(A))	93,4 dB(A)
<b>Brug høreværn!</b>	
<b>Vibrationsinformation</b> Samlede vibrationsværdier (værdisum for tre retninger) beregnet iht. EN 62841.	
Vibrationseksposering $a_h$ (Li-Ion 2,0 Ah)	1,69 m/s <sup>2</sup>
Usikkerhed K=	1,5 m/s <sup>2</sup>

## ADVARSEL

Svingningsniveauet, som er angivet i disse anvisninger, er målt i henhold til standardiseret måleprocedure ifølge EN 62841 og kan anvendes til indbyrdes sammenligning mellem el-værktøjer. Svingningsniveauet er ligeledes egnet som foreløbigt skøn over svingningsbelastningen.

Det angivne svingningsniveau er baseret på el-værktøjets primære anvendelsesformål. Hvis el-værktøjet benyttes til andre formål, med andet indsatsværktøj eller ikke vedligeholdes tilstrækkeligt, kan svingningsniveauet afvige. Dette kan øge svingningsbelastningen over den samlede arbejdsperiode betydeligt.

For en nøjagtig vurdering af svingningsbelastningen skal der også tages højde for de tidsperioder, hvor apparatet er slukket, eller hvor apparatet kører, men uden at være i anvendelse. Dette kan reducere svingningsbelastningen over den samlede arbejdsperiode betydeligt.

Supplerende sikkerhedsforanstaltninger til beskyttelse af brugeren mod påvirkninger fra svingninger skal iværksættes, f.eks.: Vedligeholdelse af el-værktøj og indsatsværktøj, varmholdelse af hænder, organisering af arbejdsprocesser.



### ADVARSEL!

Læs alle sikkerhedsanvisninger, anvisninger, instruktioner og data, der følger med enheden. I tilfælde af manglende overholdelse af advarselshenvisningerne og instrukserne er der risiko for elektrisk stød, brand og/eller alvorlige kvæstelser. **Opbevar alle advarselshenvisninger og instrukser til senere brug.**



### MAGNETISKE KERNE BØRE MASKINE SIKKERHEDSHENVISNINGER

Maskinens sikkerhedsindretning bør ubetinget benyttes. Brug beskyttelsesudstyr. Bær altid sikkerhedsbriller, når du arbejder med maskinen. Vi anbefaler desuden brug af personlig beskyttelsesudrustning, såsom støvmaske, sikkerhedshandsker, fast og skridsikkert skotøj, hjelm og høreværn.

Pas på ikke at få hånden ind i maskinen.

Spåner eller splinter må ikke fjernes, medens maskinen kører.

Brug ikke el-værktøjet, hvis det er beskadiget.

Fastgør eller fastspænd emnet omhyggeligt. Som forebyggelse mod tilskadekomst bør man aldrig holde emner med hænderne.

ADVARSEL! Væde og el-samlinger giver risiko for elektrisk stød. Der må aldrig benyttes skærevæske når maskinen vender opad el. i anden stilling hvor væsken kan løbe ind i el-motoren og kontakterne.

ADVARSEL! For at undgå risiko for brand, kvæstelser eller beskadigelse af produktet forårsaget af kortslutning må værktøjet, batteripakken eller opladeren ikke nedsænkes i vand. Sørg ligeledes for, at der ikke trænger væske ind i enhederne og batterierne. Korroderende eller ledende væsker, f.eks. saltvand, bestemte kemikalier, blegestoffer eller produkter, som indeholder blegestoffer, kan forårsage kortslutning.

Udskiftningsbatterier og opladere må ikke åbnes og skal opbevares i tørre rum. Beskyt dem mod fugtighed.

For at undgå person- og materialeskade, må værktøjet, det aftagelige batteri eller opladeren aldrig dykkes ned i eller gennemtrænges af væske.

Brug kun M18 ladeapparater for opladning af System M18 batterier.

### TILTÆNKT FORMÅL

Borestanderen kan benyttes til boring af store huller i stål og andre jernholdige metaller.

### ARBEJDSANVISNINGER

Magnetfoden kan sættes på jern i 6,35 mm sværhed og derover. Den bør ikke benyttes på gods under 6,35 mm tykkelse. Magnetfoden virker selvsagt IKKE på umagnetiske rustfri stålsorter.

Undergrunden under borestativet skal være ren, fast, glat, tør og uden huller og lak.

Borestanderen må ikke udsættes for regn og må ikke benyttes i våde, fugtige eller eksplosionstruede rum.

Man skal holde trykket jævnt gennem hele skæringen, så smuld og spåner ikke kommer ned under skæret. Hvis skærraffaldet kommer under skæret, bliver skæring vanskeligere og måske umulig.

#### ADVARSEL!

For hårdt tryk kan få magneten til at slippe.

Undgå at røre tænderne på bor. Men bor skal jævnligt ses efter for løse og defekte tænder. Undgå at røre tænderne på bor. Men bor skal jævnligt ses efter for løse og defekte tænder.

Det anbefales at bruge skærevæske for at få disse typer skær til at holde.

Ved arbejde på skrån og lodrette flader og på hovedet skal magnetborestativet sikres med den medleverede sele.

Sikkerhedssele skal være anbragt sådan, at borestativet ved magnetsvigt bevæger sig væk fra operatøren.

Kontrollér sikkerhedssele for beskadigelse og ældning ved hver brug. Undlad at bruge en defekt sikkerhedssele!

Indsatsværktøjet kan blive varmt under brugen.

ADVARSEL! Fare for forbrændinger

- ved værktøjskift
- når man lægger maskinen fra sig

Hulbor må ikke tages af maskinen medmindre kernen er fjernet. Kernen kan blive slyngt ud uden varsel.

### AUTO-STOP

Med AUTO STOP slukkes maskinen automatisk ved en forhøjet pludselig vridningskraft. Registrér og afhjælp årsagen for det automatiske stop under hensyntagen til sikkerhedsoplysningerne.

Mulige årsager herfor kunne være:

- Gennembrud af det materiale, som skal bearbejdes
- Overbelastning af el-værktøjet på grund af for høj fremføring
- Uren magnetflade

Sluk maskinen og tænd igen

### GENSTARTSBESKYTTELSE

En tilkoblet maskine starter ikke igen efter en spændingsafbrydelse. For at genoptage arbejdet, skal maskinen kobles fra og til igen.

### MOTOR / SOLENOIDELÅS

Sikkerhedsafbryderen mellem el-motor og magnet fungerer sådan at der ingen strøm er til boremaskinen, når magneten ikke er tændt; og omvendt kan magneten ikke slukkes mens boremaskinen går.

### CE-KONFORMITETSERKLÆRING

Vi erklærer som eneansvarlige, at produktet, som beskrives under „Tekniske data“, opfylder alle de relevante bestemmelser i direktiverne

2011/65/EU (RoHS)

2006/42/EF

2014/30/EU

og følgende harmoniserede standarder

EN 62841-1:2015

EN 55014-1:2017:A11 2020

EN 55014-2:2015

EN IEC 63000:2018

er blevet anvendt.



Winnenden, 2020-11-10

Alexander Krug / Managing Director  
Autoriseret til at udarbejde de tekniske dokumenter.

Techronic Industries GmbH

Max-Eyth-Straße 10, 71364 Winnenden, Germany

### BATTERI

Udskiftningsbat terier, der ikke har været brugt i længere tid, efterlades inden brug.

Ved temperaturer over 50°C formindskes batteriets effekt. Undgå direkte sollys og stærk varme.

Tilslutningskontakterne på oplader og udskiftningsbatterier skal holdes rene.

For at opnå en optimal levetid skal de genopladelige batterier oplades fuldt efter brug.

For at sikre en så lang levetid som muligt skal batterierne tages ud af ladeaggregatet efter opladning.

Skal batterierne opbevares længere end 30 dage: Temperatur ca. 27°C i tørre omgivelser. Opbevares ved ca. 30%-50% af ladetilstanden. Batteri skal genoplades hver 6. måned.

Opbrugte udskiftningsbatterier må ikke brændes eller kasseres sammen med alm. husholdningsaffald. Milwaukee har en miljørigtig bortskaffelse af gamle udskiftningsbatterier, henvend Dem til Deres forhandler.

Opbevar ikke udskiftningsbatterier sammen med metalgenstande fare for kortslutning.

Metaldelen lign må ikke komme i berøring med rummet beregnet for udskiftningsbatteriet (kortslutningsfare).

I tilfælde af en ekstrem belastning eller ekstrem temperatur kan der flyde batterivæske ud af et beskadiget batteri. Hvis De kommer i berøring med batterivæsken, skal den vaskes godt og grundigt af med vand og sæbe. I tilfælde af øjenkontakt, skal man mindst skylle øjnene godt og grundigt igennem i 10 minutter og omgående opsøge en læge.

### OVERBELASTNINGSSIKRING FOR BATTERI

Overbelastes batteriet på grund af meget højt strømforbrug, f.eks. som følge af ekstremt høje drejningsmomenter, pludseligt stop eller kortslutning, vibrerer el-værktøjet i 5 sekunder, ladeindikatoren blinker, og el-værktøjet slukker af sig selv. For at tænde igen slippes trykknappen, hvorefter du tænder el-værktøjet igen. Ved



ekstreme belastninger bliver batteriet for varmt. I så fald blinker alle lamper på ladeindikatoren, indtil batteriet er kølet af. Når ladeindikatoren går ud, kan arbejdet genoptages.

Sæt batteriet i ladeadapteren for at genoplade det og aktivere det.

### TRANSPORT AF LITHIUM-BATTERIER

Lithium-batterier er omfattet af lovgivningen om transport af farligt gods.

Transporten af disse batterier skal ske under overholdelse af lokale, nationale og internationale regler og bestemmelser.

Forbrugere må transportere disse batterier på veje uden yderligere krav.

Den kommercielle transport af lithium-batterier ved speditionsfirmaer er omfattet af reglerne for transport af farligt gods. Forberedelsen af forsendelse og transport må kun udføres af tilsvarende trænedede personer. Den samlede proces skal følges af fagfolk.

Følgende punkter skal overholdes ved transport af batterier:

Sørg for at kontakterne er beskyttet og isoleret for at forhindre kortslutninger.

Sørg for at batteripakken ikke kan bevæge sig inden for emballagen.

Beskadigede eller lækende batterier må ikke transporteres.

Kontakt dit speditionsfirma for at få yderligere oplysninger.

### VEDLIGEHOLDELSE

Inden hver brug skal apparatet, tilslutningskablet, forlængerledning, sikkerhedssele og stik kontrolleres for beskadigelse og ældning. Få beskadigede dele repareret af en fagmand.

Hold altid maskinens ventilationsåbninger rene.

Kom et par dråber olie på tandstangens forstanding en gang imellem. Lejerne på fremføringsakslen er selvsøørende og må ikke smøres med olie. Slædens glideflade smøres med molykotefedt.

Fjern altid støv og snavs fra værktøjet. Hold håndtaget rent, tørt og frit for olie eller fedt. Rengør kun værktøjet med mild sæbe og en fugtig klud, da rengørings- og opløsningsmidler er skadelige for plastmaterialer og andre isolerende dele. Anvend aldrig brændbare opløsningsmidler i nærheden af værktøjet.

Brug kun Milwaukee-tilbehør og Milwaukee-reservedele.

Komponenter, hvor udskiftningsproceduren ikke er beskrevet, skal skiftes ud hos et Milwaukee-servicested (se brochure garanti/kundeserviceadresser).

Ved opgivelse af type nr. der er angivet på maskinens effektskilt, kan de rekvirere en reservedelstegning, ved henvendelse til: Techtronic Industries GmbH, Max-Eyth-Straße 10, 71364 Winnenden, Germany.

### SYMBOLER



VIGTIGT! ADVARSEL! FARE!



Ved arbejde inden i maskinen, bør batteriet tages ud.



Når der arbejdes med borestativet over hovedet, skal man altid være to personer. Vær altid to personer om at bære el-værktøjet for at undgå rygskader.



Læs brugsanvisningen nøje før ibrugtagning.



Når der arbejdes med maskinen, skal man have beskyttelsesbriller på.



Brug høreværn!



Brug beskyttelseshandsker!



**FARE!** Man skal passe på altid at holde hænder, klude, beklædning osv. på forsvarlig afstand af bevægelige dele og spåner, så man ikke kommer til skade. Man må aldrig forsøge på at fjerne spåner mens boret går rundt. Spåner er knivskarpe, og de kan fange objekter ind i bevægelige dele.



Det er forbudt at medføre metaldele og Ure.



Personer med pacemaker eller andre medicinske implantater må ikke anvende denne borestander.



Regnskabsmæssig af magnetiske eller elektroniske medier forbudt.



Udsæt ikke maskinen for regn.



Kernebor



Massivt bor



Elektrisk udstyr eller (genopladelige) batterier må ikke bortkaffes sammen med det almindelige husholdningsaffald. Elektrisk udstyr og genopladelige batterier skal indsamles særskilt og afleveres hos en genbrugsvirksomhed til en miljømæssig forsvarlig bortskaffelse. Spørg de lokale myndigheder eller din forhandler om genbrugsstationer og indsamlingssteder til sådant affald.

**n<sub>0</sub>** Omdrejningstal, ubelastet

**V** Spænding

--- Jævnstrøm



Europæisk konformitetsmærke



Britisk konformitetsmærke



Ukrainsk konformitetsmærke

001



Eurasisk konformitetsmærke

Dansk

TEKNISKE DATA Magnetisk kjerneboring maskin	M18 FMDP
Produksjonsnummer	4692 83 02... ... 000001-999999
Spenning vekselbatteri	18 V
Tomgangsturtall	400 min <sup>-1</sup> 690 min <sup>-1</sup>
Slaghøyde	146 mm
Maks. magnetkraft	8,89 kN
Spindelinntak	19 mm Weldon
Bor -ø maks med kjernehullbor	38 mm
Bor -ø maks med helbor	13 mm
Vekt i henhold til EPTA-Prosedyren 01/2014 (Li-Ion 2,0 Ah ... 12,0 Ah)	13,9 ... 14,5 kg
Anbefalt omgivelsestemperatur for drift	-18°C ... +50°C
Anbefalte batteripakker	M18B..., M18HB...
Anbefalte ladere	M12-18..., M1418 C6
<b>Støyinformasjon</b> Måleverdier fastslått i samsvar med EN 62841. Det typiske A-bedømte støynivået for maskinen er:	
Lydtryknivå (Usikkerhet K=3dB(A))	82,4 dB(A)
Lydeffektnivå (Usikkerhet K=3dB(A))	93,4 dB(A)
<b>Bruk hørselsvern!</b>	
<b>Vibrasjonsinformasjoner</b> Totale svingningsverdier (vektorsum fra tre retninger) beregnet jf. EN 62841.	
Svingningsemisjonsverdi a <sub>v</sub> (Li-Ion 2,0 Ah)	1,69 m/s <sup>2</sup>
Usikkerhet K=	1,5 m/s <sup>2</sup>

## ADVARSEL

Svingningsnivået som er angitt i denne instruksjonen er målt i overensstemmelse med målemetoden normert i direktiv EN 62841 og kan brukes til å sammenligne elektromaskiner med hverandre. Den egner seg også for en foreløbig vurdering av svingningsbelastningen.

Det angitte svingningsnivået representerer de hovedsaklige bruk av elektroverktøyet. Men anvendes elektroverktøyet for andre bruk med avvikende utskiftbare verktøy eller vedlikeholdet er utilstrekkelig, kan svingningsnivået være avvikende.

Dette kan forhøye svingningsbelastning betydelig over hele arbeidsperioden. For en nøyaktig vurdering av svingningsbelastningen må også det tas hensyn til tiden apparatet er avslått eller står på, men ikke er i bruk. Dette kan redusere svingningsbelastningen betydelig over hele arbeidsperioden.

Innfør også ekstra sikkerhetstiltak for å beskytte bruker mot utvirkningen av svingningene. Disse kan f.eks. være: vedlikehold av elektroverktøyet og det utskiftbare verktøyet, holde hendene varme, organisasjon av arbeidsforløpet.

## ADVARSEL!

**Les alle sikkerhetsanvisninger, instruksjer, bildeforklaringer og data som fulgte med maskinen.** Feil ved overholdelsen av advarslene og nedenstående anvisninger kan medføre elektriske støt, brann og/eller alvorlige skader.

**Ta godt vare på alle advarslene og informasjonene.**

## MAGNETISK KJERNEBORING MASKIN SPESEIELLE SIKKERHETSHENVISNINGER

Bruk alltid maskinens beskyttelsesinnretninger. Bruk vernebekledning. Ta alltid på vernebrille ved bruk av maskinen. Vernebekledning så vel som støvmaske, vernehansker, fast og sklissikkert skotøy, hjem og hørselsvern er anbefalt.

Ikke grip inn i fareområdet mens maskinen er i gang.

Spon eller fliser må ikke fjernes mens maskinen er i gang.

Ikke bruk skadede innsatsverktøy.

Fest eller spenn fast emnene sikkert. For å unngå skaderisiko skal arbeidsstykke ikke holdes med hendene.

**ADVARSEL!** Våte koblinger medfører støtfare.

Bruk ikke skjærevæske i høyden eller på et annet sted som fører til at væsken renner inn i motoren eller i bryterkapslinger.

**ADVARSEL!** For å unngå fare for en brann forårsaket av en kortslutning, av personskader eller skader av produktet, må det forhindres at batteripakken eller laderen dryppes i væsker og også sørges for at ingen væsker kan komme inn i apparatene eller batteriene. Korroderende og ledende væsker som saltvann, visse kjemikalier og blekemidler eller produkt som inneholder blekemidler kan forårsake en kortslutning.

Ikke åpne vekselbatterier og ladere, de skal oppbevares i tørre rom. Beskyttes mot fuktighet.

For å forebygge skader eller ødeleggelse dypp aldri verktøyet, det eksterne batteriet eller laderen i væske eller la væske trenge inn i noen av delene.

Vekselbatterier av systemet M18 skal kun lades med lader av systemet M18. Ikke lad opp batterier fra andre systemer.



Nor

## FORMÅLSMESSIG BRUK

Borestativet kan brukes for store borer i stål og i andre jernhollige metall.

## ARBEIDSTRUKSJONER

Den elektromagnetiske søyleboremaskinen fester seg magnetisk til 6,35 mm eller tykkere jernmateriale. Må ikke brukes på materiale med tykkelse under 6,35 mm. Det magnetiske fundamentet HOLDER IKKE ikke-magnetiske legeringer av rustfritt stål.

Undergrunnen under borestativet skal være rent, fast, glatt, tørt og uten hull eller lakk.

Ikke utsett borestativet for regn og ikke bruk det i fuktige eller i rom der det er eksplosjonsfare.

Hold et konstant trykk under hele operasjonen for å hindre at avfall og støv kommer inn under skjærekantene. Skjæringsavfall under skjæreren kan gjøre skjæringen vanskelig eller umulig.

### ADVARSEL!

Hvis du bruker for mye kraft vil dette bryte løs magneten.

Unngå å komme i kontakt med skjærerspissene. Skjærerspissene bør periodisk sjekkes for løse eller skadde spisser. Unngå å komme i kontakt med skjærerspissene. Skjærerspissene bør periodisk sjekkes for løse eller skadde spisser.

Det anbefales å bruke skjærevæske for å forlenge brukstiden på skjærerne.

Ved arbeid på skrå og lodrette flater og arbeid over hodet skal magnetborestativet sikres med det medleverte beltet. Sikkerhetsbeltet skal festes slik at borestativet ved magnetsvikt beveger seg bort fra brukeren.

Kontroller sikkerhetsbelte før hvert bruk på skade og slitasje. Ikke bruk sikkerhetsbelter som er defekt!

Isatt verktøy kan i bruk bli veldig varmt.

### ADVARSEL! Fare for forbrenning

- ved skifting av verktøy
- når apparatet legges ned

Skjæreren må ikke fjernes med mindre sluggen er fjernet først. Sluggen kan slynges ut uten forvarsel.

## AUTO-STOP

Med AUTO STOP blir en for høy-rykkevis dreiekrift på magneten blir maskinen slått av automatisk. Etterforsk og utbedre feilen av den automatiske stoppen i hensyn til sikkerhetsinstruksene.

Mulige årsaker kan være:

- Gjennombrytning av materialet som bearbeides
- Overbelastning av elektroverktøyet på grunn av for høy fremføring
- Uren magnetflate

Slå maskinen av og så på igjen

## AUTOMATISK GJENSTARTSBESKYTTELSE

En påslått maskin starter etter et spenningsbrudd ikke automatisk igjen. For å kunne fortsette å arbeide må maskinen slås av og så på igjen.

## MOTOR/MAGNET-BLOKKERING

Motor/magnet-blokkering er en funksjon som hindrer at boremotoren blir strømførende hvis magneten ikke er aktivert. Motor/magnet-blokkering hindrer også magneten i å bli deaktivert mens motoren går.

## CE-SAMSVARSERKLÆRING

Vi erklærer i alene ansvar at produktet beskrevet i „Teknisk data“ overensstemmer med alle relevante forskrifter til Eu direktiv 2011/65/EU (RoHS) 2006/42/EC 2014/30/EU og de følgende harmoniserte normative dokumentene. EN 62841-1:2015 EN 55014-1:2017:A11 2020 EN 55014-2:2015 EN IEC 63000:2018 fyrstikker



Winnenden, 2020-11-10

Alexander Krug / Managing Director  
Autorisert til å utarbeide den tekniske dokumentasjonen  
Techtronic Industries GmbH  
Max-Eyth-Straße 10, 71364 Winnenden, Germany

## BATTERIER

Vekselbatterier som ikke er ladd lengre tid skal etterlades for bruk.

En temperatur over 50°C reduserer vekselbatteriets kapasitet. Unngå oppvarming i sol eller ved varmeovner (fyring) i lengre tid.

Hold tilkoplingskontaktene på lader og vekselbatteri rene.

For optimal holdbarhet må batteriene lades opp helt etter bruk.

For å sikre en lengst mulig brukstid av batteriene skal disse etter oppladning taes ut av laderen.

Ved lagring av batteriene lengre enn 30 dager: Lagre batteriet tørt ved ca. 27°C. Lagre batteriet ved en oppladningstilstand på ca. 30%-50%. Lade opp batteriet igjen etter 6 måneder.

Ikke kast brukte vekselbatterier i varmen eller husholdningsavfallet. Milwaukee tilbyr en miljøriktig deponering av gamle vekselbatterier; vennligst spør din fagforhandler.

Ikke oppbevar vekselbatterier sammen med metallgjenstander (kortslutningsfare).

Metalldelene må ikke komme inn i innskyvningsgjaket for vekselbatterier på ladere (kortslutningsfare).

Under ekstreme belastninger og ekstreme temperaturer kan det lekke ut batterievæske fra utskiftbare batterier. Ved berøring med batterievæske, vask umiddelbart med såpe og vann. Ved kontakt med øynene må øynene skylles grundig i rennende vann i minst 10 minutter. Oppsøk lege umiddelbart.

## OVERBELASTNINGSVERN FOR OPPLADBARE BATTERIER

Ved overbelastning av det oppladbare batteriet p.g.a. svært høyt strømforbruk; f.eks. ekstrem høye dreiemoment, plutselig stopp eller kortslutning, vibrert elektroverktøyet 5 sekunder, displayet for opplading blinker og elektroverktøyet utkobler seg automatisk. For gjeninnkobling, slipp løs bryteren og slå så på igjen. Ved ekstreme belastninger opphører det oppladbare batteriet seg for sterkt. I slike tilfeller blinker alle lampene på displayet til batteriet er avkjølt. Når lampene har sluttet å blinke, kan man fortsette å arbeide.



Nor

Sett batteriet da i laderen for å få det oppladet og aktivert igjen

### TRANSPORT AV LITIUM-ION-BATTERI

Litium-ion-batterier faller under de lovfestede forskriftene om transport av farlig gods.

Transporten av disse batteriene må rette seg etter lokale, nasjonale og internasjonale forskrifter og bestemmelser.

Forbruker har lov å transportere disse batteriene på gaten uten reglementering.

Den kommersielle transport av Litium-ion-batterier av spedisjonsfirma faller under bestemmelsene om transport av farlig gods. Forberedningene av forsendelsen og transport skal utelukkende gjennomføres av personer som har blitt skolert til dette. Hele prosessen skal følges opp av fagfolk.

Følgende punkter skal tas hensyn til ved transport:

Kontroller at kontaktene er beskyttet og isolert for å unngå kortslutninger.

Pass på at batteripakken i forpakningen ikke kan skli fram og tilbake.

Skadede eller batterier som lekker er det ikke lov å transportere. Ta kontakt med spedisjonsfirma for ytterlige henvisninger.

### VEDLIKEHOLD

Kontroller før hvert bruk apparatet, tilslutningskabelen, sikkerhetsbeltet og støpselet på skader og slitasje. Skadede deler skal bare repareres av en fagmann.

Hold alltid luftenåpningene på maskinen rene.

Drypp en par dråper olje på fortanningen av tannstangen. Lageret til fremførings akselen er selvsmeørende og skal aldri oljes. Glideflaten til sleden skal smøres med Molykote-fett.

Fjern alltid støv og smuss fra apparatet. Hold håndtaket rent, tørt og fritt for olje og fett. Rense- og løsemiddel er skadelig for kunststoff og andre isolerende deler, rengjør derfor apparatet bare med en mild såpe og en fuktig klut. Bruk aldri brennbart løsemiddel in nærheten av apparatet.

Bruk kun Milwaukee tilbehør og Milwaukee reservedeler. Komponenter der utskiftning ikke er beskrevet skal skiftes ut hos Milwaukee kundeservice (se brosjyre garanti/kundeserviceadresser).

Ved behov kan du be om en eksplosjonstegning av apparatet hos din kundeservice eller direkte hos Techtronic Industries GmbH, Max-Eyth-Straße 10, 71364 Winnenden, Germany. Oppgi maskintype og det nummeret på typeskiltet.

### SYMBOLER



OBS! ADVARSEL! FARE!



Ta ut vekselbatteriet før du arbeider på maskinen



Ved arbeid over hode med bruk av borstativ skal alltid to personer jobbe sammen. Elektroverktøyet skal alltid bæres av to personer for å unngå ryggproblemer.



Les nøye gjennom bruksanvisningen før maskinen tas i bruk.



Bruk alltid vernebrille når du arbeider med maskinen.



Bruk hørselsvern!



Bruk vernehansker!



**FARE!** For å redusere skaderisikoen må hender, kluter, klær, osv. holdes på god avstand fra bevegelige deler og avfall. Forsøk ikke å fjerne avfall mens skjæringen roterer. Avfallsflisene er skarpe og kan trekke gjenstander inn i de bevegelige delene.



Det er forbudt å ha med seg metaldeler eller klokker.



Personer med pacemakere eller andre medisinske implantater må ikke bruke dette borestativet.



Gjennomføring av magnetiske eller elektroniske medier forbudt.



Maskinen skal ikke utsettes for regn.



Kjernebor



Massivt bor



Elektriske apparater, batterier/oppladbare batterier skal ikke kastes sammen med vanlig husholdningsavfall. Elektriske og elektroniske apparater og oppladbare batterier skal samles separat og leveres til miljøvennlig deponering hos en avfallsbedrift. Informer deg hos myndighetene på stedet eller hos din fagforhandler hvor det finnes recycling bedrifter og oppsamlingssteder.

**n<sub>0</sub>**

Tomgangsturtall

**V**

Volt



Likestrøm



Europeisk samsvarsmerke



Britisk samsvarsmerke



Ukrainsk samsvarsmerke

001



Euroasiatisk samsvarsmerke



TEKNISKA DATA Magnetisk kärnbormmaskinen	M18 FMDP
Produktionsnummer	4692 83 02... ... 000001-999999
Batterispänning	18 V
Tomgångsvarvtal, obelastad	400 min <sup>-1</sup> 690 min <sup>-1</sup>
Slaglängd	146 mm
Max. magnetkraft	8,89 kN
Spindelfäste	19 mm Weldon
Max. borrar diameter med borkrona	38 mm
Max. borrar diameter med spiralborr	13 mm
Vikt enligt EPTA 01/2014 (Li-Ion 2,0 Ah ... 12,0 Ah)	13,9 ... 14,5 kg
Rekommenderad omgivningstemperatur för driften	-18°C ... +50°C
Rekommenderade batterier (Akkupacks)	M18B..., M18HB...
Rekommenderade laddare	M12-18..., M1418 C6
<b>Bullerinformation</b>	
Mätvärdena har tagits fram baserade på EN 62841. A-värdet av maskinens ljudnivå utgör:	
Ljudtrycksnivå (Onoggrannhet K=3dB(A))	82,4 dB(A)
Ljudeffektsnivå (Onoggrannhet K=3dB(A))	93,4 dB(A)
<b>Använd hörselskydd!</b>	
<b>Vibrationsinformation</b>	
Totala vibrationsvärden (vektorsumma ur tre riktningar) framtaget enligt EN 62841.	
Vibrationsemissionsvärde a <sub>h</sub> (Li-Ion 2,0 Ah) Onoggrannhet K=	1,69 m/s <sup>2</sup> 1,5 m/s <sup>2</sup>



## VARNING

Den i de här anvisningarna angivna vibrationsnivån har uppmätts enligt ett i EN 62841 normerat mätförfarande och kan användas vid jämförelse mellan olika elverktyg. Nivån är även lämplig att använda vid en preliminär bedömning av vibrationsbelastningen.

Den angivna vibrationsnivån representerar den huvudsakliga användningen av det aktuella elverktyget. Men om elverktyget ska användas i andra användningsområden, tillsammans med avvikande insatsverktyg eller efter otillräckligt underhåll, kan vibrationsnivån skilja sig. Det kan öka vibrationsbelastningen betydligt under hela arbetstiden.

För att få en exaktare bedömning av vibrationsbelastningen ska även den tid beaktas, under vilken elverktyget är avstängt eller är påslaget, utan att det verkligen används. Det kan reducera vibrationsbelastningen betydligt under hela arbetstiden.

Lägg som skydd för användaren fast extra säkerhetsåtgärder mot vibrationernas verkan, som till exempel: underhåll av elverktyg och insatsverktyg, varmhållning av händer och organisering av arbetsförlopp.

### **VARNING!**

**Läs alla säkerhetsanvisningar, instruktioner, beskrivningar och uppgifter som du får tillsammans med apparaten.** Fel som uppstår till följd av att anvisningarna nedan inte följts kan orsaka elstöt, brand och/eller allvarliga kroppsskador.

**Förvara alla varningar och anvisningar för framtida bruk.**

### **MAGNETISK KÄRNBORRMASKINEN SÄKERHETSUTRUSTNING**

Använd alltid maskinens skyddsanordningar. Använd skyddsutrustning. Använd alltid skyddsglasögon när du använder maskinen. Som skyddsutrustning rekommenderar vi t ex en dammskyddsmask, skyddshandskar, stabila och halksäkra skor, hjälm och hörselskydd.

Lakttag största försiktighet när maskinen är igång.

Avlägsna aldrig spån eller flisor när maskinen är igång.

Använd aldrig skadade insatsverktyg.

**OBS!** Försäkra dig att arbetstycket är fastsatt. För att minska risken för personskada, håll inte arbetsstycket med händerna.

**VARNING!** Våta anslutningar utgör risk för elektriska stötar.

Använd inte skärvätska i upp- och nedvänt eller annat läge där det finns risk för att vätskan ska komma in i motorn eller brytarhöljet.

**VARNING!** För att undvika den fara för brand, personskador eller produktskador som orsakas av en kortslutning, doppa inte ner verktyget, utbytesbatteriet eller laddaren i vätskor och se till att ingen vätska kan tränga in i apparaterna eller batterierna. Korroderande eller ledande vätskor, som saltvatten, vissa kemikalier, blekningsmedel eller produkter som innehåller blekmedel, kan orsaka en kortslutning.

Batterier lagras torrt och skyddas för fukt.

För att undvika person- eller materialskador doppa aldrig verktyget, det löstagbara batteriet eller laddaren i vätska och låt inte vätska penetrera dessa.

System M18 batterier laddas endast i System M18 laddare. Ladda inte batterier från andra system.

### ANVÄND MASKINEN ENLIGT ANVISNINGARNA

Magnetborrstativet är anpassat för borrarning av stora hål i stål och andra järnhaltiga metaller.

### ARBETSANVISNINGAR

Den elektromagnetiska pelarborrmaskinen fästs magnetiskt vid järnmaterial som är 6,35 mm eller tjockare. Använd inte maskinen med material som är tunnare än 6,35 mm. Den magnetiska basen HÅLLER INTE på icke-magnetiska rostfria stål.

Underlaget under borrarstativet ska vara rent, plant, torrt och vara fritt från hål och lack.

Utsätt inte magnetborrstativet för regn och använd det inte i fuktiga eller icke flämsäkra rum.

Håll konstant tryck under hela arbetet för att hindra att spån och grader faller under eggarna. Skärskräp under skäret kan göra det svårt eller omöjligt att skära.

#### VARNING!

Överdriven kraft bryter loss magneten.

Undvik kontakt med skärets egg. Inspektera regelbundet skärets egg för att se om de är lösa eller skadade.

Vi rekommenderar att du använder skärvätska så att dessa skär varar länge.

Vid arbeten på lutande och lodräta ytor samt arbeten över huvudet ska magnetborrstativet säkras med remmen som ingår i köpet. Säkerhetsremmen ska fästas på så sätt, att borrarstativet rör sig bort från användaren om magneten skulle bortfalla.

Kontrollera säkerhetsremmen innan varje användning om den är skadad eller har åldrat. Använd aldrig en säkerhetsrem som är defekt!

Verktyget som används kan bli mycket varmt under användningen. VARNING! Risk för brännskador

- vid verktygsbyte
- när man lägger ifrån sig maskinen

Ta inte bort skäret förrän pluggen är borttagen. Pluggen kan plötsligt kastas ut.

### AUTO-STOP

Med AUTO STOP stängs maskinen automatiskt av om en för hög och plötslig rotationskraft inverkar på magneten. Ta reda på orsaken som utlöste Auto-Stop och åtgärda felet - beakta alla säkerhetsanvisningar.

Möjliga orsaker kann vara:

- Materialet som ska bearbetas har gått sönder
- Elverktyget har överbelastats på grund av för stor frammatning
- Magnetytan är inte ren

Stäng av maskinen och sätt sedan på den igen

### ÅTERSTARTSSKYDD

Även om maskinen är tillkopplad startar den inte igen efter ett spänningsavbrott. För att kunna fortsätta med arbetet måste du först fränkoppla den och sedan tillkoppla den igen.

### MOTOR/MAGNET-SPÄRREN

Motor/magnet-spärren är en funktion som hindrar att ström förs till bormotorn om magneten inte är aktiverad. Motor/magnet-spärren hindrar också att magneten avmagnetiseras medan motorn går.

### CE-FÖRSÄKRAN

Vi tar på vårt ansvar att produkten som har beskrivits under Tekniska data uppfyller alla relevanta villkor i direktiven 2011/65/EU (RoHS) 2006/42/EG 2014/30/EU samt att följande harmoniserade standarder EN 62841-1:2015 EN 55014-1:2017:A11 2020 EN 55014-2:2015 EN IEC 63000:2018 har använts.



Winnenden, 2020-11-10

Alexander Krug / Managing Director  
Befullmäktigad att sammanställa teknisk dokumentation.

Techtronic Industries GmbH  
Max-Eyth-Straße 10, 71364 Winnenden, Germany

### BATTERIER

Batteri som ej använts på länge måste laddas före nytt bruk.

En temperatur över 50°C reducerar batteriets effekt. Undvik längre uppvärmning tex i solen eller nära ett element.

Se till att anslutningskontaktarna i laddaren och på batteriet är rena.

För att batterierna ska få lång livslängd ska de laddas fulla efter användning.

För att få en så lång livslängs som möjligt bör laddningsbara batterier avlägsnas från laddaren när de är laddade.

Om laddningsbara batterier lagras längre än 30 dagar: Lagra batteriet torrt och vid ca 27°C. Lagra batteriet vid ca 30%-50% av laddningskapaciteten. Ladda batterierna på nytt var 6:e månad.

Kasta inte förbrukade batterier. Lämna dem till Milwaukee Tools för återvinning.

Förvara ej batteriet ihop med metallföremål, kortslutning kan uppstå.

Se upp så att inga metallföremål hamnar i laddarens batterischakt, kortslutning kan uppstå.

Under extrem belastning eller extrem temperatur kan batterivätska tränga ut ur skadade utbytesbatterier. Vid beröring med batterivätska tvätta genast av med vatten och tvål. Vid ögonkontakt spola genast i minst 10 minuter och kontakta genast läkare.

### BATTERI-ÖVERBELASTNINGSSKYDD

Om det laddningsbara batteriet överbelastats genom en mycket hög strömförbrukning, t.ex. extremt höga vridmoment, ett plötsligt stopp eller en kortslutning, så vibrerar elverktyget i 5 sekunder, laddningsindikeringen blinkar och elverktyget fränkopplas automatiskt. För att sedan sätta på elverktyget igen släpper du tryckbrytaren och tillkopplar sedan verktyget igen. Vid en extrem belastning blir det laddningsbara batteriet för varmt. I detta fall blinkar alla lampor på laddningsindikeringen så länge tills batteriet har svalnat. När laddningsindikeringen har slocknat kan du fortsätta med arbetet.



Sätt då batteriet i laddaren för att ladda upp och aktivera det igen.

## TRANSPORTERA LITIJUMJON-BATTERIER

För litiumjon-batterier gäller de lagliga föreskrifterna för transport av farligt gods på väg.

Därför får dessa batterier endast transporteras enligt gällande lokala, nationella och internationella föreskrifter och bestämmelser.

Konsumenter får transportera dessa batterier på allmän väg utan att behöva beakta särskilda föreskrifter.

För kommersiell transport av litiumjon-batterier genom en speditorsfirma gäller emellertid bestämmelserna för transport av farligt gods på väg. Endast personal som känner till alla tillämpliga föreskrifter och bestämmelser får förbereda och genomföra transporten. Hela processen ska följas upp på fackmässigt sätt.

Följande ska beaktas i samband med transporten av batterier:

Säkerställ att alla kontakter är skyddade och isolerade för att undvika kortslutning.

Se till att batteripacken inte kan glida fram och tillbaka i förpackningen.

Transportera aldrig batterier som läcker, har runnit ut eller är skadade.

För mer information vänligen kontakta din speditorsfirma.

## SKÖTSEL

Kontrollera verktyget resp. maskinen, anslutningskabeln, skarvkabeln, säkerhetsremmen och stickproppen innan varje användning om de är skadade eller har åldrats. Endast en fackman får reparera skadade delar.

Se till att motorhöljets luftslitsar är rena.

Kuggstången skall då och då smörjas med några droppar olja. Mataraxelns lager är självsmörjande och behöver därför ej smörjas. Fetta in slädens ytor med Molykote fett.

Avlägsna alltid damm och smuts från verktyget. Håll handtaget rent, torrt och fritt från olja och fett. Starka rengörings- och lösningsmedel skadar plast och andra isolerande delar. Använd därför endast en mild tvål och en fuktig duk för att rengöra verktyget. Använd aldrig brandfarliga lösningsmedel i närheten av verktyget.

Använd endast Milwaukee-tillbehör och Milwaukee-reservdelar. Komponenter, för vilka inget byte beskrivs, skall bytas ut hos Milwaukee-kundtjänst (se broschyren garanti-/kundtjänstadresser).

Vid behov av sprängskiss, kan en sådan, genom att uppge maskinens art. nr. (som finns på typskylten) erhållas från: Techtronic Industries GmbH, Max-Eyth-Strasse 10, 71364 Winnenden, Germany.

## SYMBOLER



OBSERVERA! VARNING! FARA!



Drag ur batteripaket innan arbete utföres på maskinen.



Om borrstativet används på en höjd över huvudet ska man alltid vara två. Var också alltid två för att bära elverktyget. Det skonar ryggen och förhindrar ryggskador.



Läs instruktionen noga innan du startar maskinen.



Använd alltid skyddsglasögon.



Använd hörselskydd!



Bär skyddshandskar!



**FARA!** För att minska risken för personskada ska du alltid hålla händer, trasor, kläder osv borta från rörliga delar och spån. Försök inte ta bort spån medan skåret roterar. Spån är vassa och kan dra in föremål i rörliga delar.



Operatören får inte medföra metalldelar eller klockor.



Personer med pacemaker eller andra medicinimplantat får inte använda detta borrstativ.



Bära av magnetiska eller elektroniska medier förbjuden.



Utsätt sågen inte för regn.



Kärnhålsborr



Djupborr



Elektriska maskiner, batterier/uppladdningsbara batterier och får inte slängas tillsammans med de vanliga hushållsoporna. Elektriska maskiner och uppladdningsbara batterier ska samlas separat och lämnas till en avfallsstation för miljövänlig avfallshantering. Kontakta den lokala myndigheten respektive kommunen eller fråga återförsäljare var det finns speciella avfallsstationer för elkrot.

**n<sub>0</sub>** Tomgångsvarvtal, obelastad

**V** Volts

**---** Likström

**CE** Europeiskt konformitetsmärke

**UK CA** Brittiskt konformitetsmärke

**001** Ukrainskt konformitetsmärke

**EAC** Euroasiatiskt konformitetsmärke

TEKNISET ARVOT Magneettisydän porakone	M18 FMDP
Tuotantomerkki	4692 83 02... ... 000001-999999
Jännite vaihtoakku	18 V
Kuormittamaton kierrosnopeus	400 min <sup>-1</sup> 690 min <sup>-1</sup>
Iskun pituus	146 mm
Magneettivoima, max	8,89 kN
Karapidin	19 mm Weldon
Suurin poraushalkaisija kalvaimella	38 mm
Suurin poraushalkaisija poranterällä	13 mm
Paino EPTA-menetelmän 01/2014 mukaan (Li-Ion 2,0 Ah ... 12,0 Ah)	13,9 ... 14,5 kg
Suosittelun ympäristön lämpötila käytön aikana	-18°C ... +50°C
Suosittelut akkusarjat	M18B..., M18HB...
Suosittelut latauslaitteet	M12-18..., M1418 C6
<b>Melunpäästötiedot</b>	
Mitta-arvot määritetty EN 62841 mukaan. Koneen tyyppillinen A-luokitettu melutaso:	
Melutaso (Epävarmuus K=3dB(A))	82,4 dB(A)
Äänenvoimakkuus (Epävarmuus K=3dB(A))	93,4 dB(A)
<b>Käytä kuulosuojaimia!</b>	
<b>Tärinätiedot</b>	
Värähtelyn yhteisarvot (kolmen suunnan vektorisummitettuna EN 62841 mukaan).	
Värähtelyemissioarvo a <sub>b</sub> (Li-Ion 2,0 Ah)	1,69 m/s <sup>2</sup>
Epävarmuus K=	1,5 m/s <sup>2</sup>

#### VAROITUS

Näissä ohjeissa mainittu värähtelytaso on mitattu EN 62841 -standardin mukaisella mittausmenetelmällä ja sitä voidaan käyttää sähkötyökalujen vertaamiseen. Sitä voidaan käyttää myös värähtelyrasituksen väliaikaiseen arviointiin.

Mainittu värähtelytaso edustaa sähkötyökalun pääasiallista käyttöä. Jos sähkötyökalua kuitenkin käytetään muihin tehtäviin, poikkeavin työkaluun tai riittämättömästi huoltoen, värähtelytaso voi olla erilainen. Se voi korottaa värähtelyrasitusta koko työajan osalta.

Tarkan värähtelyrasituksen toteamiseen tulee ottaa huomioon aika, jona laite on kytketty pois tai on kylläkin päällä, mutta ei käytössä. Se voi pienentää värähtelyrasitusta koko työajan osalta.

Määrittele lisäturvatoimenpiteitä käyttäjän suojaamiseksi värinöiden vaikutukselta, kuten esimerkiksi: sähkötyökalujen ja käyttötyökalujen huolto, käsien lämpimänä pitäminen, työvaiheiden organisaatio.



#### VAROITUS!

**Lue kaikki varotoimenpiteet, ohjeet, kuvalliset esitykset ja tiedot, jotka toimitetaan laitteen mukana.** Turvallisuusohjeiden noudattamisen laiminlyönti saattaa johtaa sähköiskuun, tulipaloon ja/tai vakavaan loukkaantumiseen.

**Säilytä kaikki turvallisuus- ja muut ohjeet tulevaisuutta varten.**



#### MAGNEETTISYDÄN PORAKONE TURVALLISUUSOHJEET

Laitteen suojavarusteita on ehdottomasti käytettävä. Käytä suojavarusteita. Käytä aina suojalaseja käyttäessäsi konetta. Suosittelemme suojavarusteiden käyttöä, näihin kuuluvat pölysuojanaamari, työkasineet, tukevat, luistamattomat jalkineet, kypärä ja kuulosuojukset.

Älä tartu käynnistetyyn laitteeseen työskentelyalueelle.

Lastuja tai puruja ei saa poistaa koneen käydessä.

Älä käytä vaurioituneita vaihtotyökaluja.

Kiinnitä työkalu kunnolla. Tapaturmien välttämiseksi älä pidä työkalusta kiinni käsin.

VAROITUS! Märät liitännät voivat aiheuttaa sähköiskun.

Älä käytä leikkuunestettä yläpuolisessa työssä tai muussa asennossa, jossa leikkuunestettä voi päästä moottoriin tai kytkinkoteloon.

VAROITUS! Jotta vältetään lyhytsulun aiheuttama tulipalon, loukkaantumisen tai tuotteen vahingoittumisen vaara, älä koskaan upota työkalua, vaihtoakkuja tai latauslaitetta nesteeseen ja huolehdi siitä, ettei mitään nesteitä pääse tunkeutumaan laitteiden tai akkujen sisään. Syövyttävät tai sähköä johtavat nesteet, kuten suolavesi, tietyt kemikaalit ja lalkaisuaaineet tai valkaisuaineita sisältävät tuotteet voivat aiheuttaa lyhytsulun.

Vaihtoakkuja ja latauslaitteita ei saa avata. Säilytys vain kuivissa tiloissa. Suojattava kosteudelta.

Älä koskaan upota laitetta, irrotettavaa akkua tai laturia nesteeseen tai anna nesteen päästä niihin loukkaantumisen ja vahinkojen välttämiseksi.

Käytä ainoastaan System M18 latauslaitetta System M18 akkujen lataukseen. Älä käytä muiden järjestelmien akkuja.



## TARKOITUKSEN MUKAINEN KÄYTTÖ

Porausteline soveltuu läpimitaltaan suurien reikien poraamiseen tarkeseen ja muihin rautametalleihin.

## TYÖSKENTELYOHJEITA

Sähkömagneettinen porakone kiinnittyy magneettisesti rauta-alustaan, jonka paksuus on 6,35 mm tai enemmän. Älä käytä alle 6,35 mm paksuisia alustaa. Magneetin pohja EI tartu ei-magneettisiin ruostumattomiin teräsiin.

Poranpylvään alustan tulee olla puhdas, kiinteä, sileä ja kuiva, eikä siinä saa olla reikiä tai maalia.

Porausteline tulee suojata sateelta eikä sitä pidä käyttää kosteissa tai herkästi syttyissä tiloissa.

Koko leikkaustyön aikana paine tulee pitää tasaisena, jotta lastut ja särmät eivät pääsisi putoamaan leikkausreunojen alle. Leikkurin alla olevat jätteet voivat vaikeuttaa leikkaamista tai estää sen kokonaan.

### VAROITUS!

Liiallisen voiman käyttö irrottaa magneetin otteen.

Älä kosketa leikkurin kärkiä. Tarkista aika ajoin, ettei leikkurissa ole irtonaisia tai vahingoittuneita kärkiä. Älä kosketa leikkurin kärkiä. Tarkista aika ajoin, ettei leikkurissa ole irtonaisia tai vahingoittuneita kärkiä.

leikkuneestettä suositellaan näiden leikkurien käyttöäin pidentämiseksi.

Työskennellessä viistoilla ja pystysuorilla pinnoilla tai pään yläpuolella magneettinen poranpylväs tulee varmistaa mukana toimitetulla turvavyöllä.

Turvavyö tulee asentaa niin, että poranpylväs liikkuu käyttäjästä pois päin magneetin irrotessa.

Tarkasta ennen jokaista käyttöä, ettei turvavyö ole vahingoittunut tai haurastunut. Viallista turvavyötä ei saa käyttää!

Käytetty työkalu saattaa kuumeta käytön aikana.

### VAROITUS! Palovamman vaara

- työkalua vaihdettaessa
- laitetta pois laskettaessa

Älä irrota leikkuria poistamatta ensin aihiota. Aihio voi lentää yllättäen ulos.

## AUTOMAATTIPYSÄYTYS

Auto-Stop-toiminto sammuttaa koneen automaattisesti, jos magneettiin kohdistuu liian voimakas äkkinäinen kiertovoima. Etsi automaattipysäytysten syy ja poista se noudattaen turvallisuusmääräyksiä.

Mahdollisia syitä saattavat olla:

- Työstettävän materiaalin läpimeno
- Sähkötyökalun ylikuormitus liian suurella liikkeellä
- Epäpuhdas magneettipinta

Sammuta kone ja kytk se jälleen päälle.

## UDELLEENKÄYNNISTYSSUOJA

Päällekytketty kone ei käynnisty uudelleen sähkökatkon jälkeen. Työn jatkamiseksi kone täytyy sammuttaa ja käynnistää jälleen.

## MOOTTORI / SOLENOIDILUKKOMALLEJA

Moottorin ja magneetin keskinäislukitus on toiminto, joka estää virran kytketymisen poran moottoriin, jos magneettia ei ole aktivoitu. Moottorin ja magneetin keskinäislukitus estää myös magneetin kytketymisen pois päältä moottorin toimiessa.

## TODISTUS CE-STANDARDIN MUKAISUUDESTA

Vakuutamme täten olevamme yksin vastuussa siitä, että kohdassa "Tekniset tiedot" kuvattu tuote vastaa kaikkia direktiivien merkityksellisiä säädöksiä

2011/65/EU (RoHS)

2006/42/EY

2014/30/EU

ja seuraavia yhdenmukaistettuja standardeja

EN 62841-1:2015

EN 55014-1:2017:A11 2020

EN 55014-2:2015

EN IEC 63000:2018

on käytetty.



Winnenden, 2020-11-10

Alexander Krug / Managing Director

Valtuutettu kokoamaan tekniset dokumentit.

Techtronic Industries GmbH

Max-Eyth-Straße 10, 71364 Winnenden, Germany

## AKKU

Pitkään käyttämättä olleet vaihtoakut on ladattava ennen käyttöä.

Yli 50°C lämpötilassa akun suorituskyky heikkenee. Välttämättä akkujen säilyttämistä auringossa tai kuumissa tiloissa.

Pidä aina latauslaitteen ja akun kosketuspinnat puhtaina.

Optimaalisen käyttöäin saavuttamiseksi akut on ladattava täyteen käytön jälkeen.

Mahdollisimman pitkän elinajan takaamiseksi akut tulee poistaa laturista lataamisen jälkeen.

Akkuja yli 30 päivää säilytettäessä: Säilytä akku yli 27°C:ssa ja kuivassa. Säilytä akku sen latauksen ollessa 30% - 50%. Lataa akku 6 kuukauden välein uudelleen.

Käytettyjä vaihtoakkuja ei saa polttaa eikä poistaa normaalin jätehuollon kautta. Milwaukeella on tarjolla vanhoja vaihtoakkuja varten ympäristöystävällinen jätehuoltopalvelu.

Vaihtoakkuja ei saa säilyttää yhdessä metalliesineiden kanssa (oikosulkuvaara).

On varottava, ettei latauslaitteiden vaihtoakkulatauskoloon joudu metalliesineitä (oikosulkuvaara).

Vaurioituneesta akusta saattaa erityisen kovassa käytössä tai poikkeavassa lämpötilassa vuotaa akkuhappoa. Ihonkohta, joka on joutunut kosketukseen akkuhapon kanssa on viipymättä pestävä vedellä ja saippualla. Silmä, johon on joutunut akkuhappoa, on huuhdeltava vedellä vähintään 10 minuutin ajan, jonka jälkeen on viipymättä hakeuduttava lääkärin apuun.

## AKUN YLIKUORMITUSSUOJAUS

Jos akku ylikuormittuu erittäin suuren virrankulutuksen takia, esim. erittäin voimakkaiden vääntömomenttien, äkillisen pysäyttämisen tai oikosulun vuoksi, niin sähkötyökalu tärisee 5 sekunnin ajan, latausnäyttö vilkkuu ja sähkötyökalu sammuu omatoimisesti. Käynnistä laite uudelleen päästämällä katkaisinpainikkeen irti ja käynnistämällä laitteen sitten uudelleen. Erittäin suuressa kuormituksessa akku kuumenee liikaa. Tässä tapauksessa latausnäytön kaikki lamput vilkkuvat, kunnes akku on jäähtynyt. Kun latausnäyttö on sammunut, voi työtä jatkaa.

Suomi

Työnä akku sitten latauslaitteeseen ja lataa se jälleen, jotta se aktivoituu.

## LITIUMI-IONIAKKUJEN KULJETTAMINEN

Litiumi-ioniakut kuuluvat vaarallisten aineiden kuljetuksesta annettujen lakien piiriin.

Näiden akkujen kuljettaminen täytyy suorittaa noudattaen paikallisia, kansallisia ja kansainvälisiä määräyksiä ja säädöksiä.

Kuluttajat saavat ilman muuta kuljettaa näitä akkuja teitä pitkin.

Kaupallisessa kuljetuksessa huolintaliikkeiden täytyy kuljettaa litiumi-ioniakkuja vaarallisten aineiden kuljetuksesta annettujen määräysten mukaisesti. Ainoastaan tähän vastaavasti koulutetut henkilöt saavat suorittaa kuljetuksen valmistelutoimit ja itse kuljetuksen. Koko prosessia tulee valvoa asiantuntevasti.

Seuraavat kohdat tulee huomioida akkuja kuljetettaessa:

Varmista, että akkujen kontaktit on suojattu ja eristetty, jotta vältetään lyhytsulut.

Huolehdi siitä, ettei akkusarja voi luiskahtaa paikaltaan pakkauksen sisällä.

Vahingoittuneita tai vuotavia akkuja ei saa kuljettaa.

Pyydä tarkemmat tiedot huolintaliikkeeltäsi.

## HUOLTO

Tarkasta ennen jokaista käyttöä, ettei laitteessa, liitäntäjohtossa, jatkojohtossa, turvavyössä ja pistokkeessa ole vaurioita tai haurastumista. Anna ainoastaan alan ammattihenkilön korjata vialliset osat.

Pidä moottorin ilmanottoaukut puhtaina.

Voitele silloin tällöin hammastangon hampaat muutamalla öljytipalla. Syöttövarren laakereita ei pidä voidella. Voitele kelkan liukupintaa rasvalla (Molykote).

Pöly ja lika on poistettava laitteesta. Kahva on pidettävä puhtaana, kuivana ja öljyttömänä tai rasvattomana. Puhdistusaineet ja liuottimet vahingoittava muoveja ja muita eristäviä osia, minkä vuoksi laite puhdistetaan vain miedolla saippualla ja kostealla liinalla. Älä käytä koskaan syttyviä liuottimia laitteen lähellä.

Käytä ainoastaan Milwaukee lisätarvikkeita ja Milwaukee varaosia. Mikäli jokin komponentti, jota ei ole kuvailtu, tarvitsee vaihtoa ota yhteys johonkin Milwaukee palvelupisteistä (kts. listamme takuuhuoltoliikkeiden/ palvelupisteiden osoitteista)

Tarpeen vaatiessa voit pyytää lähettämään laitteen kokoonpanopiirustuksen ilmoittamalla arvokilven numeron seuraavasta osoitteesta: Techtronic Industries GmbH, Max-Eyth-Straße 10, 71364 Winnenden, Germany.

## SYMBOLIT



HUOMIO! VAROITUS! VAARA!



Ota akku pois ennen kaikkia koneeseen tehtäviä toimenpiteitä.



Työskentele porantelinettä pään yläpuolella käyttäessäsi aina toisen henkilön kanssa. Sähkötyökalua tulee aina kantaa kaksin, jotta vältetään selkävammat.



Lue käyttöohjeet huolellisesti, ennen koneen käynnistämistä.



Käytä laitteella työskennellessäsi aina suojalaseja.



Käytä kuulosuojaimia!



Käytä suojakäsineitä!



VAARA! Tapaturmavaaran vähentämiseksi kädet, rievut, vaatteet, jne., on aina pidettävä poissa liikkuvista osista ja lastuista. Älä yritä poistaa lastuja leikkurin pyöriessä. Lastut ovat teräviä ja voivat vetää esineitä liikkuviin osiin.



Metalliosien tai kellojen pito on kielletty.



Henkilö, jolla on sydämentahdistin tai jokin muu lääkelineplanti ei saa käyttää tätä poratelinettä.



Kirjanpitoarvo magneettisten tai sähköisten viestimien kielletty.



Älä jätä konetta alttiiksi sateelle.



Sydänreikäpora



Massiivipora



Sähkölaitteita, paristoja/akkuja ei saa hävittää yhdessä kotitalousjätteiden kanssa. Sähkölaitteet ja akut tulee kerätä erikseen ja toimittaa kierrätysliikkeeseen ympäristöystävällistä hävittämistä varten. Pyydä paikallisia viranomaisilta tai alan kauppiailta tarkemmat tiedot kierrätyspisteistä ja keräyspaikoista.

n<sub>0</sub>

Kuormittamaton kierros-luku

V

Jännite



Tasavirta



Euroopan säännönmukaisuusmerkki



Britannian säännönmukaisuusmerkki



Ukrainan säännönmukaisuusmerkki



Euraasian säännönmukaisuusmerkki



ΤΕΧΝΙΚΑ ΣΤΟΙΧΕΙΑ Μαγνητικό πυρήνα μηχανήμα διάτρησης	M18 FMDP
Αριθμός παραγωγής	4692 83 02... ... 000001-999999
Τάση ανταλλακτικής μπαταρίας	18 V
Αριθμός στροφών χωρίς φορτίο	400 min <sup>-1</sup> 690 min <sup>-1</sup>
Ύψος διάδρομής	146 mm
Μέγ. δύναμη μαγνήτη	8,89 kN
Υποδοχή άξονα	19 mm Weldon
Οπή-θ μεγ. με τρυπάνι οπής πυρήνα	38 mm
Οπή-θ μεγ. με πλήρες τρυπάνι	13 mm
Βάρος σύμφωνα με τη διαδικασία EPTA 01/2014 (Li-Ion 2,0 Ah ... 12,0 Ah)	13,9 ... 14,5 kg
Συνιστώμενη θερμοκρασία περιβάλλοντος για τη λειτουργία	-18°C ... +50°C
Συνιστώμενη δέσμη συσσωρευτών	M18B..., M18HB...
Συνιστώμενη συσκευή φόρτισης	M12-18..., M1418 C6
<b>Πληροφορίες θορύβου</b> Τιμές μέτρησης εξακριβωμένες κατά EN 62841. Η σύμφωνη με την καμπύλη Α εκτιμηθείσα στάθμη θορύβου του μηχανήματος αναφέρεται σε:	
Στάθμη ηχητικής πίεσης (Ανασφάλεια K=3dB(A))	82,4 dB(A)
Στάθμη ηχητικής ισχύος (Ανασφάλεια K=3dB(A))	93,4 dB(A)
<b>Φοράτε προστασία ακοής (ωτασπίδες)!</b>	
<b>Πληροφορίες δονήσεων</b> Υλικές τιμές κραδασμών (άθροισμα διανυσμάτων τριών διευθύνσεων) εξακριβώθηκαν σύμφωνα με τα πρότυπα EN 62841.	
Τιμή εκπομπής δονήσεων a <sub>h</sub> (Li-Ion 2,0 Ah)	1,69 m/s <sup>2</sup>
Ανασφάλεια K=	1,5 m/s <sup>2</sup>

## ΠΡΟΕΙΔΟΠΟΙΗΣΗ

Το αναφερόμενο σ' αυτές τις οδηγίες επίπεδο δονήσεων έχει μετρηθεί με μια τυποποιημένη σύμφωνη με το EN 62841 μέθοδο μέτρησης και μπορεί να χρησιμοποιηθεί για τη σύγκριση των ηλεκτρικών εργαλείων μεταξύ τους. Αυτό είναι επίσης κατάλληλο για μια προσωρινή εκτίμηση της επιβάρυνση των δονήσεων.

Το αναφερόμενο επίπεδο δονήσεων αντιπροσωπεύει τις κύριες χρήσεις του ηλεκτρικού εργαλείου. Εάν όμως το ηλεκτρικό χρησιμοποιείται σε άλλες χρήσεις, με διαφορετικά εργαλεία εφαρμογής ή ανεπαρκή συντήρηση, μπορεί να υπάρξει απόκλιση του επιπέδου δονήσεων. Αυτό μπορεί να αυξήσει σημαντικά την επιβάρυνση των δονήσεων για τη συνολική διάρκεια της εργασίας

Για μια ακριβή εκτίμηση της επιβάρυνσης των δονήσεων οφείλουν επίσης να λαμβάνονται υπόψη οι χρόνοι, στους οποίους η συσκευή είναι απενεργοποιημένη ή είναι μεν ενεργοποιημένη αλλά δεν χρησιμοποιείται πραγματικά. Αυτό μπορεί να μειώσει σημαντικά την επιβάρυνση των δονήσεων για τη συνολική διάρκεια της εργασίας.

Καθορίζετε πρόσθετα μέτρα ασφαλείας για την προστασία του χειριστή από την επίδραση των δονήσεων όπως για παράδειγμα: Συντήρηση του ηλεκτρικού εργαλείου και των εργαλείων εφαρμογής, διατηρείτε ζεστά τα χέρια, οργάνωση των διαδικασιών εργασίας.



### ΠΡΟΕΙΔΟΠΟΙΗΣΗ!

**Διαβάστε όλες τις υποδείξεις ασφαλείας, τις οδηγίες, τις εικόνες και τα δεδομένα, τα οποία θα λάβετε μαζί με το μηχανήμα.** Αμέλειες κατά την τήρηση των προειδοποιητικών υποδείξεων μπορεί να προκαλέσουν ηλεκτροπληξία, κίνδυνο πυρκαγιάς ή/και σοβαρούς τραυματισμούς.

**Φυλάξτε όλες τις προειδοποιητικές υποδείξεις και οδηγίες για κάθε μελλοντική χρήση.**



### ΜΑΓΝΗΤΙΚΟ ΠΥΡΗΝΑ ΜΗΧΑΝΗΜΑ ΔΙΑΤΡΗΣΗΣ ΕΙΔΙΚΕΣ ΥΠΟΔΕΙΞΕΙΣ ΑΣΦΑΛΕΙΑΣ

Χρησιμοποιείτε οπωσδήποτε τη διάταξη προστασίας της μηχανής. Χρησιμοποιείτε προστατευτικό εξοπλισμό. Κατά την εργασία με τη μηχανή φοράτε πάντα προστατευτικά γυαλιά. Συνιστούμε επίσης προστατευτική ενδυμασία όπως επίσης μάσκα προστασίας

αναπνοής, προστατευτικά γάντια, σταθερά και ασφαλή στην ολίσθηση υποδήματα, κράνος και ωτασπίδες.

Μην απλώνετε τα χέρια σας στην επικίνδυνη περιοχή της μηχανής όταν είναι σε λειτουργία.

Τα γράζα ή οι σκληρές δεν επιτρέπεται να απομακρύνονται όσο η μηχανή βρίσκεται σε λειτουργία.

Μη χρησιμοποιείτε χαλασμένα εργαλεία

Σταθεροποιείτε ή σφίγγετε σίγουρα τα επεξεργαζόμενα κομμάτια. **Άεά ίά ίαερόαδά οίι έβίαιοίι όπαιοάοέοίιγ, ίσί έπαιοόα ία όί -Υπέ όί όέέέυ όίό άδοίιάνάΥαεάόά.**

**ΠΡΟΕΙΔΟΠΟΙΗΣΗ!** ΌαηΥο όοίαΥοάόό ίδιπίγί ίά όπιέαέΥοίόί ζεάέόπιόεζίβá.

Ίς -ήζοοίιόέάδά όαηύ έπθρόά υόάί άπαύαεάόό όά γνίό όύίυ



Για μια άριστη διάρκεια ζωής πρέπει μετά τη χρήση οι μπαταρίες να φορτιστούν πλήρως.

Για μια κατά το δυνατόν μεγάλη διάρκεια ζωής οι μπαταρίες μετά τη φόρτιση οφείλουν να αφαιρεθούν από το φορτιστή.

Για την αποθήκευση της μπαταρίας για διάστημα μεγαλύτερο των 30 ημερών: Αποθηκεύετε τη μπαταρία περ. στους 27°C σε στεγνό χώρο. Αποθηκεύετε τη μπαταρία περ. στο 30%-50% της κατάστασης φόρτισης. Κάθε 6 μήνες φορτίζετε εκ νέου τη μπαταρία.

Μην πετάτε τις μεταχειρισμένες ανταλλακτικές μπαταρίες στη φωτιά ή στα οικιακά απορρίμματα. Η Milwaukee προσφέρει μια απόσυρση των παλιών ανταλλακτικών μπαταριών σύμφωνα με τους κανόνες προστασίας του περιβάλλοντος, ρωτήστε παρακαλώ σχετικά στο ειδικό κατάστημα πώλησης.

Μην αποθηκεύετε τις ανταλλακτικές μπαταρίες μαζί με μεταλλικά αντικείμενα (κίνδυνος βραχυκυκλώματος).

Στη θήκη υποδοχής των ανταλλακτικών μπαταριών του φορτιστή δεν επιτρέπεται να φθάνουν μεταλλικά αντικείμενα (κίνδυνος βραχυκυκλώματος).

Όταν υπάρχει υπερβολική καταπόνηση ή υψηλή θερμοκρασία μπορεί να τρέξει υγρό μπαταρίας από τις χαλασμένες επαναφορτιζόμενες μπαταρίες. Αν έρθετε σε επαφή με υγρό μπαταρίας να πλυθείτε αμέσως με νερό και σαπούνι. Σε περίπτωση επαφής με τα μάτια να πλυθείτε σχολαστικά για τουλάχιστον 10 λεπτά και να αναζητήσετε αμέσως ένα γιατρό.

### ΠΡΟΣΤΑΣΙΑ ΥΠΕΡΦΟΡΤΩΣΗΣ ΤΗΣ ΜΠΑΤΑΡΙΑΣ

Σε υπερφόρτωση της μπαταρίας από πολύ υψηλή καταπόνηση ρεύματος, π. χ. από ακραίες υψηλές ροπές περιστροφής, μπλοκάρισμα του τρυπανιού, δονείται το ηλεκτρικό εργαλείο για 5 δευτερόλεπτα, αναβοσβήνει η ένδειξη φόρτισης και το ηλεκτρικό εργαλείο απενεργοποιείται αυτόματα. Για μια νέα ενεργοποίηση, αφήνετε ελεύθερο το διακόπτη και στη συνέχεια ενεργοποιείτε εκ νέου. Κάτω από ακραίες καταπονήσεις θερμαίνεται πάρα πολύ η μπαταρία. Στην περίπτωση αυτή αναβοσβήνουν όλες οι λάμπες της ένδειξης φόρτισης μέχρι να έχει κρυώσει η μπαταρία. Μετά το βήσιμο της ένδειξης φόρτισης μπορεί να συνεχιστεί η συνεργασία. Τοποθετείτε στη συνέχεια τη μπαταρία στη συσκευή φόρτισης για να τη φορτίσετε πάλι και να την ενεργοποιήσετε.

### ΜΕΤΑΦΟΡΑ ΤΩΝ ΜΠΑΤΑΡΙΑΩΝ ΙΟΝΤΩΝ ΛΙΘΙΟΥ

Οι μπαταρίες ιόντων λιθίου υπόκεινται στις απαιτήσεις των νομικών διατάξεων για την μεταφορά επικινδύνων εμπορευμάτων.

Η μεταφορά τέτοιων μπαταριών πρέπει να πραγματοποιείται τηρώντας τους τοπικούς, εθνικούς και διεθνείς κανονισμούς και τις αντίστοιχες διατάξεις.

Επιτρέπεται η μεταφορά τέτοιων μπαταριών στο δρόμο χωρίς περαιτέρω απαιτήσεις.

Η εμπορική μεταφορά μπαταριών ιόντων λιθίου από εταιρείες μεταφορών υπόκειται στις απαιτήσεις των νομικών διατάξεων για την μεταφορά επικινδύνων εμπορευμάτων. Οι προετοιμασίες αποστολής και η μεταφορά πραγματοποιούνται αποκλειστικά από ειδικά εκπαιδευμένα πρόσωπα. Η συνολική διαδικασία συνοδεύεται από εξειδικευμένο προσωπικό.

Κατά τη μεταφορά μπαταριών ιόντων λιθίου πρέπει να προσέχετε τα εξής:

Φροντίστε τα σημεία επαφών να είναι προστατευμένα και μονωμένα ώστε να αποφευχθούν βραχυκυκλώματα.

Προσέξτε το πακέτο μπαταριών να είναι σταθερό μέσα στη συσκευασία και να μη γλιστρά.

Η μεταφορά μπαταριών που παρουσιάζουν φθορές ή διαρροές δεν επιτρέπεται.

Για περισσότερες πληροφορίες απευθυνθείτε στην εταιρεία μετάφορων.

### ΣΥΝΤΗΡΗΣΗ

Πριν τη χρήση ελέγξτε τη φθορά και γήρανση του εργαλείου, του καλωδίου σύνδεσης, του καλωδίου προέκτασης, της ζώνης ασφαλείας και του βύσματος. Να αφήνετε να επισκευάζονται τα φθαρμένα εξαρτήματα από έναν ειδικό.

Διατηρείτε πάντοτε τις σχισμές εξερισμού της μηχανής καθαρές.

Βάζετε πάνω στην οδόντωση της οδοντωτής ράβδου κατά διαστήματα λίγες σταγόνες λάδι. Τα έδρανα του άξονα πρόωσης διαθέτουν αυτολίπανση και δεν επιτρέπεται να λιπανθούν. Λιπαίνετε την επιφάνεια ολίσθησης του ολισθητήρα με γράσο γραφίτη (Molykote).

Αφαιρείτε πάντα τη σκόνη και τη βρομιά από τη συσκευή. Διατηρείτε τη χειρολαβή καθαρή, στεγνή και χωρίς λάδια και γράσα. Προϊόντα καθαρισμού και διαλύτες βλάπτουν τα συνθετικά υλικά και άλλα μονωτικά εξαρτήματα, για το λόγο αυτό καθαρίζετε τη συσκευή με ήπιο σαπούνι και ένα υγρό πανί. Ποτέ μη χρησιμοποιείτε εύφλεκτους διαλύτες κοντά στη συσκευή.

Χρησιμοποιείτε μόνο αξεσουάρ Milwaukee και ανταλλακτικά Milwaukee. Εξαρτήματα, που η αλλαγή τους δεν περιγράφεται, αντικαθιστώνται σε μια τεχνική υποστήριξη της Milwaukee (βλέπε φυλλάδιο εγγύηση/ διευθύνσεις τεχνικής υποστήριξης).

Όταν χρειάζεται, μπορείτε να ζητήσετε ένα σχέδιο συναρμολόγησης της συσκευής, δίνοντας τον τύπο της μηχανής και αριθμό στην πινακίδα ισχύος, από το κέντρο σέρβις ή απευθείας από τη φίρμα Techronic Industries GmbH, Max-Eyth-Straße 10, 71364 Winnenden, Germany.

### ΣΥΜΒΟΛΑ



ΠΡΟΣΟΧΗ! ΠΡΟΕΙΔΟΠΟΙΗΣΗ! ΚΙΝΔΥΝΟΣ!



Πριν από κάθε εργασία στη μηχανή αφαιρείτε την ανταλλακτική μπαταρία.



Σε περίπτωση που χρειαστεί να κάνετε εργασίες κρατώντας το δράπανο πάνω από το κεφάλι σας να έχετε πάντα ένα δεύτερο άτομο κοντά σας. Να κουβαλάτε το εργαλείο πάντα δύο-δύο για να αποφύγετε τυχόν τραυματισμούς στην πλάτη.



Παρακαλώ διαβάστε σχολαστικά τις οδηγίες χρήσης πριν από την έναρξη λειτουργίας.



Στις εργασίες με τη μηχανή φοράτε πάντοτε προστατευτικά γυαλιά.




Φοράτε προστασία ακοής (ωαπασιδές)!





Να φοράτε προστατευτικά γάντια!





ΚΙΝΔΥΝΟΣ!  $\acute{\alpha}\epsilon\acute{\alpha}$   $\acute{\iota}\acute{\alpha}$   $\acute{\iota}\acute{\alpha}\epsilon\theta\omicron\delta\acute{\alpha}$   $\omicron\upsilon\acute{\iota}$   $\epsilon\beta\acute{\iota}\alpha\omicron\upsilon\acute{\iota}$   $\omicron\pi\acute{\alpha}\omicron\delta\acute{\iota}\omicron\delta\acute{\epsilon}\omicron\upsilon\acute{\iota}$   $\omicron\acute{\alpha}\omicron$ ,  $\epsilon\pi\acute{\alpha}\omicron\upsilon\delta\acute{\alpha}$   $\delta\upsilon\acute{\iota}\omicron\upsilon\acute{\delta}\acute{\alpha}$   $\omicron\acute{\alpha}$   $\rightarrow$   $\Upsilon\eta\epsilon\acute{\alpha}$   $\omicron\acute{\alpha}\omicron$ ,  $\delta\alpha\acute{\iota}\epsilon\upsilon$ ,  $\pi\acute{\iota}\nu\rightarrow$   $\acute{\alpha}$   $\epsilon\epsilon\delta$ ,  $\acute{\iota}\acute{\alpha}\epsilon\pi\acute{\epsilon}\upsilon$   $\acute{\alpha}\delta\upsilon$   $\acute{\epsilon}\epsilon\acute{\iota}\pi\acute{\iota}\gamma\acute{\iota}\acute{\alpha}$   $\acute{\iota}\acute{\alpha}\omicron\pi\omicron\beta\acute{\iota}\omicron\delta\acute{\alpha}$   $\acute{\epsilon}\acute{\alpha}$   $\epsilon\acute{\alpha}$   $\epsilon\pi\acute{\iota}\beta\omicron\upsilon\acute{\delta}\acute{\alpha}$ ,  $\acute{\iota}\epsilon\tau\acute{\iota}$   $\delta\pi\acute{\iota}\omicron\delta\acute{\alpha}\epsilon\theta\omicron\delta\acute{\alpha}$   $\acute{\iota}\acute{\alpha}$   $\acute{\alpha}\delta\acute{\alpha}\epsilon\gamma\acute{\omicron}\acute{\alpha}\omicron\delta\acute{\alpha}$   $\omicron\acute{\alpha}$   $\epsilon\pi\acute{\iota}\beta\omicron\upsilon\acute{\delta}\acute{\alpha}$   $\acute{\alpha}\pi\epsilon\tau$   $\acute{\alpha}\pi\epsilon\beta\acute{\alpha}\epsilon$   $\acute{\alpha}\acute{\epsilon}$   $\acute{\iota}$   $\acute{\epsilon}\acute{\iota}\delta\omicron\theta\eta\acute{\alpha}\delta$ .  $\omicron\acute{\alpha}$   $\epsilon\pi\acute{\iota}\beta\omicron\upsilon\acute{\delta}\acute{\alpha}$   $\acute{\alpha}\beta\acute{\iota}\acute{\alpha}$   $\acute{\alpha}\acute{\epsilon}$   $\rightarrow$   $\acute{\iota}\epsilon\tau\acute{\iota}$   $\acute{\epsilon}\acute{\alpha}$   $\acute{\iota}\delta\acute{\iota}\pi\acute{\iota}\gamma\acute{\iota}$   $\acute{\iota}\acute{\alpha}$   $\omicron\pi\acute{\alpha}\delta\acute{\alpha}\theta\eta\acute{\iota}\omicron$   $\acute{\alpha}\acute{\iota}\delta\acute{\epsilon}\acute{\alpha}$   $\beta\acute{\iota}\acute{\alpha}\acute{\iota}$   $\omicron\acute{\alpha}$   $\acute{\epsilon}\acute{\epsilon}\acute{\iota}\pi\acute{\iota}\gamma\acute{\iota}\acute{\alpha}$   $\acute{\iota}\acute{\alpha}\omicron\pi\omicron\beta\acute{\iota}\omicron\delta\acute{\alpha}$ .

 Απαγορεύεται να έχετε επάνω σας μεταλλικά αντικείμενα και ρολόγια.


 Άτομα με βηματοδότες ή άλλα ιατρικά εμφυτεύματα δεν επιτρέπεται να χρησιμοποιήσουν αυτή τη βάση δραπενού.

 Εκτέλεση μαγνητικά ή ηλεκτρονικά μέσα απαγορεύεται.

 Η μηχανή να μην εκτίθεται σε βροχή.

 Σωληνοειδές τρυπάνι (ποτηροτρυπάνο)

 Συμπαγές τρυπάνι

 Ηλεκτρικά μηχανήματα, μπαταρίες/συσσωρευτές δεν επιτρέπεται να απορρίπτονται μαζί με τα οικιακά απορρίμματα. Ηλεκτρικά μηχανήματα και συσσωρευτές συλλέγονται ξεχωριστά και παραδίδονται προς ανακύκλωση με τρόπο φιλικό προς το περιβάλλον σε επιχείρηση επεξεργασίας απορριμμάτων. Ενημερωθείτε από τις τοπικές υπηρεσίες ή από ειδικευμένους εμπόρους σχετικά με κέντρα ανακύκλωσης και συλλογής απορριμμάτων.

**n<sub>0</sub>** Αριθμός στροφών χωρίς φορτίο

**V** Βολτ

 Συνεχές ρεύμα

**CE** Ευρωπαϊκό σήμα πιστότητας

**UK CA** Βρετανικό σήμα πιστότητας

 Ουκρανικό σήμα πιστότητας

**EAC** Ευρασιατικό σήμα πιστότητας



TEKNİK VERİLER Manyetik karot makinesi	M18 FMDP
Üretim numarası	4692 83 02... ... 000001-999999
Kartuş akü gerilimi	18 V
Boştaki devir sayısı	400 min <sup>-1</sup> 690 min <sup>-1</sup>
Strok yüksekliği	146 mm
Maksimum mknatsız kuvveti	8,89 kN
Mil girişi	19 mm Weldon
Göbekli delme uçlarıyla maksimum delme çapı	38 mm
Tam helezonik uçlarla maksimum delme çapı	13 mm
Ağırlığı ise EPTA-üretici 01/2014'e göre (Li-Ion 2,0 Ah ... 12,0 Ah)	13,9 ... 14,5 kg
Çalıştırılması için tavsiye edilen ortam sıcaklığı	-18°C ... +50°C
Tavsiye edilen güç paketleri	M18B..., M18HB...
Tavsiye edilen şarj aletleri	M12-18..., M1418 C6
<b>Gürültü bilgileri</b> Ölçüm değerleri EN 62841'e göre belirlenmektedir. Aletin, frekansa bağımlı uluslararası ses basıncı seviyesi değerlendirme eğrisi A'ya göre tipik gürültü seviyesi: Ses basıncı seviyesi (Tolerans K=3dB(A)) 82,4 dB(A) Akustik kapasite seviyesi (Tolerans K=3dB(A)) 93,4 dB(A) <b>Koruyucu kulaklık kullanın!</b>	
<b>Vibrasyon bilgileri</b> Toplam titreşim değeri (üç yönün vektör toplamı) EN 62841'e göre belirlenmektedir: titreşim emisyon değeri a <sub>n</sub> (Li-Ion 2,0 Ah) 1,69 m/s <sup>2</sup> Tolerans K= 1,5 m/s <sup>2</sup>	



Tür

## UYARI

Bu talimatlarda belirtilen titreşim seviyesi, EN 62841 standardına uygun bir ölçme metodu ile ölçülmüştür ve elektrikli el aletleri birbiriyle karşılaştırmak için kullanılabilir. Ölçüm sonuçları ayrıca titreşim yükünün geçici değerlendirmesi için de uygundur.

Belirtilen titreşim seviyesi, elektrikli el aletinin genel uygulamaları için geçerlidir. Ancak elektrikli el aleti başka uygulamalar için, farklı eklenti parçalarıyla ya da yetersiz bakım koşullarında kullanılırsa, titreşim seviyesi farklılık gösterebilir. Bu durumda, titreşim yükü toplam çalışma zaman aralığı içerisinde belirgin ölçüde yükselebilir.

Titreşim yükünün tam bir değerlendirmesi için ayrıca cihazın kapalı olduğu süreler ve cihazın çalışır durumda olduğu, ancak gerçek kullanımda bulunmadığı süreler de dikkate alınmalıdır. Böylelikle, toplam çalışma zamanı aralığı boyunca meydana gelen titreşim yükü belirgin ölçüde azaltılabilir.

Kullanıcıyı titreşimlerin etkisinden korumak üzere, örneğin elektrikli el aletlerinin ve eklenti parçalarının bakımı, ellerin sıcak tutulması ve iş akışlarının organizasyonu gibi ek güvenlik tedbirleri belirleyiniz.

## ⚠ UYARI!

**Cihazla birlikte gelen tüm güvenlik uyarılarını, talimatları, çizimleri ve bilgileri okuyun.** Açıklanan uyarılar ve talimat hükümlerine uyulmadığı takdirde elektrik çarpmalarına, yangınlara ve/veya ağır yaralanmalara neden olunabilir.

**Bütün uyarıları ve talimat hükümlerini ileride kullanmak üzere saklayın.**

## ⚠ MANYETİK KAROT MAKİNESİ GÜVENLİĞİNİZ İÇİN TALİMATLAR

Aletin koruyucu donanımını mutlaka kullanın. Koruma teçhizatı kullanın. Makinada çalışırken devamlı surette koruyucu gözlük takın. Koruyucu elbise ve tozlardan korunma maskesi, emniyet eldivenleri ve sağlam ve kaymaya mukavim ayakkabı giyin. Başlık ve kulaklık tavsiye edilir.

Aletin tehlikeli olabilecek bölümlerini tutmayın.

Alet çalışır durumda iken talaş ve kırıntıları temizlemeye çalışmayın.

Hasarlı uçları kullanmayın.

İş parçalarını güvenli biçimde tespit edin veya bir tertibatla sıkın. Yaralanma tehlikesini azaltmak için, çalışma malzemesini elle tutmayın.

UYARI! Islak bađlantılar elektrik şoku tehlikesi oluđturur.

Motor veya anahtar muhafazasının içine kesme sıvısının girmesine olanak tanıyacak bađ seviyesinden yüksekteki veya diđer pozisyonlarda kesme sıvısını kullanmayın.

UYARI! Bir kısa devreden kaynaklanan yangın, yaralanma veya ürün hasarları tehlikesini önlemek için aleti, güç paketini veya şarj cihazını asla sıvıların içine daldırmayın ve cihazların ve pillerin içine sıvı girmesini önleyiniz. Tuzlu su, belirli kimyasallar, ağartıcı

Türkçe

madde veya ağartıcı madde içeren ürünler gibi korozif veya iletken sıvılar kısa devreye neden olabilir.

Kartuş aküleri ve şarj cihazını açmayın ve sadece kuru yerlerde saklayın. Neme ve ıslanmaya karşı koruyun.

Yaralanma ve hasarları önlemek için aleti, çıkarılabilir pili veya şarj cihazını asla bir sıvıya batırmayın, içlerine sıvı girmesine izin vermeyin.

M18 sistemli kartuş aküleri sadece M18 sistemli şarj cihazları ile şarj edin. Başka sistemli aküleri şarj etmeyin.

## KULLANIM

Delme sehpaşı çelik ve diğer demir içeren metallerdeki büyük çaplı deliklerin açılmasında kullanılabilir.

## ÇALIŞMA AÇIKLAMALARI

Elektromanyetik matkap tezgahı, 6,35 mm veya daha kalın demirli malzemeleri manyetik olarak tutar. 6,35 mm'den daha ince malzeme kullanmayın. Manyetik taban, manyetik olmayan paslanmaz çelik türlerini TUTMAZ.

Matkap tezgahı altındaki zemin temiz, sağlam, düz, kuru ve deliksiz ve cilasız olmalıdır.

Delme sehpasını yağmur altında bırakmayın ve ıslak, nemi veya patlayıcı maddelerin bulunduğu yerlerde kullanmayın.

Yonga ve kenar pürüzlerinin/çapakların kesme kenarlarının altına düpmesini önlemek için, tüm kesme işlemi boyunca sabit bir basınç uygulayın. Keskinin altında çapak olması, kesme işlemi zor, hatta imkansız hale getirebilir.

### UYARI!

Abyrı kuvvet uygulanması, myknatısın serbest kalmasına yol açacaktır.

Keskinin uçlarıyla temas etmekten kaçınınız. Keski uçlarının periyodik olarak kontrol edip, gevşek veya hasarlı olup olmadıklarını denetleyin. Keskinin uçlarıyla temas etmekten kaçınınız. Keski uçlarının periyodik olarak kontrol edip, gevşek veya hasarlı olup olmadıklarını denetleyin.

Bu keskinin uzun ömürlü olması için kesme sıvısının kullanılmasını tavsiye edilir.

Eğri ve dik yüzeylerde ve baş seviyesi üzerindeki çalışmalarda manyetik matkap tezgahı beraberinde teslim edilen kemer ile emniyete alınmalıdır.

Emniyet kemeri, matkap tezgahı, miknatısın devre dışı kalması durumunda kullanıcısından uzaklaşacak şekilde tutturulmuş olmalıdır.

Emniyet kemerini her kullanımdan önce hasarlar ve eskime yönünden kontrol ediniz. Arızalı emniyet kemerini kullanmayınız!

Uca yerleştirilen takım kullanım sırasında ısınabilir.

UYARI! Yanma tehlikesi

- takım değiştirme sırasında
- aletin yere bırakılması sırasında

Kama çykarylmadıkça keskiyi çykarmayınız. Kama beklenmedik bir şekilde fırlayabilir.

## AUTO-STOP

AUTO STOP fonksiyonu ile miknatıs üzerine aşırı ani dönme kuvvetinde makine otomatik olarak kapatılmaktadır. Otomatik stop nedenini tespit edip, güvenlik uyarılarına dikkat ederek gideriniz.

Olası nedenler şunlar olabilir:

- İşlenen malzemenin kırılması
- Besleme oranının çok yüksek olmasından dolayı elektrikli alete aşırı yüklenilmesi
- Kirli manyetik yüzey

Makineyi kapatıp tekrar çalıştırınız

## TEKRAR ÇALIŞTIRMADA KORUMA

Çalışmakta olan makine, gerilim kesintisinden sonra tekrar çalışmaya başlamaz. Çalışmaya devam etmek için makineyi kapatıp tekrar açınız.

## MOTOR/MYKNATYS

Motor/myknatıs kenetlenmesi, myknatıs enerjilenmemişse matkap motoruna elektrik gücü uygulanmasını önleyen bir özelliktir. Motor/myknatıs kenetlenmesi ayrıca, motor çalışırken myknatıs enerjisinin boşalmasının önler.

## CE UYGUNLUK BEYANI

"Teknik veriler" başlığı altında tanımlanan ürünün, sayılı direktiflerdeki tüm hükümleri 2011/65/EU (RoHS) 2006/42/EC 2014/30/EU uyumlaştırılmış standartları EN 62841-1:2015 EN 55014-1:2017:A11 2020 EN 55014-2:2015 EN IEC 63000:2018



Winnenden, 2020-11-10

Alexander Krug / Managing Director

Teknik evrakları hazırlamakla görevlendirilmiştir.

Techtronic Industries GmbH

Max-Eyth-Straße 10, 71364 Winnenden, Germany

## AKÜ

Uzun süre kullanım dışı kalmış kartuş aküleri kullanmadan önce şarj edin.

50°C üzerindeki sıcaklıklarda kartuş akünün performansını düşürür. Akünün güneş ışığı veya mekân sıcaklığı altında uzun süre ısınmamasına dikkat edin.

Şarj cihazı ve kartuş aküdeki bağlantı kontaklarını temiz tutun.

Akünün ömrünün mükemmel bir şekilde uzun olması için kullandıktan sonra tamamen doldurulması gerekir.

Ömrünün mümkün olduğu kadar uzun olması için akülerin yükleme yapıldıktan sonra doldurma cihazından uzaklaştırılması gerekir.



Tür

Akünün 30 günün daha fazla depolanması halinde: Aküyü takriben 27°C'de kuru olarak depolayın. Aküyü yüklemeye durumunun takriben % 30 - %50 olarak depolayın. Aküyü her 6 ay yeniden doldurun.

Kullanılmış kartuş aküleri ateşe veya ev çöplerine atmayın. Milwaukee, kartuş akülerin çevreye zarar vermeyecek biçimde tasfiye edilmesine olanak sağlayan hizmet sunar; lütfen bu konuda yetkili satıcınızdan bilgi alın.

Kartuş aküleri metal parça veya eşyalarla birlikte saklamayın (kısa devre tehlikesi).

Şarj cihazının kartuş akü yuvasına hiçbir şekilde metal parçalar kaçmamalıdır (kısa devre tehlikesi).

Aşırı zorlanma veya aşırı ısınma sonucu hasar gören kartuş akülerden batarya sıvısı dışarı akabilir. Batarya sıvısı ile temasa gelen yeri hemen bol su ve sabunla yıkayın. Batarya sıvısı gözünüze kaçacak olursa en azından 10 dakika yıkayın ve zaman geçirmeden bir hekime başvurun.



Tür

### AKÜNÜN AŞIRI YÜKLENMEYE KARŞI KORUNMASI

Pek fazla elektrik tüketiminden dolayı, örneğin aşırı fazla devir momentleri, aniden durma veya kısa devre gibi aküye aşırı yüklenme durumunda elektro cihazı 5 saniye titreşir, yüklemeye göstergesi yanıp söner ve elektro cihaz kendiliğinden durur. Yeniden çalıştırmak için şalter baskısını serbest bırakın ve bundan sonra tekrar çalıştırın. Akü aşırı yüklenmeden dolayı fazla ısınır. Bu durumda akü soğuyana kadar yüklemeye göstergesinin bütün lambaları yanıp söner. Gösterge lambalarının sönmelerinden sonra tekrar çalışmaya devam edilebilir.

Aküyü tekrar doldurmak ve aktif hale getirmek amacı ile şarja bağlayın.

### LİTYUM İYON PİLLERİN TAŞINMASI

Lityum iyon piller tehlikeli madde taşımacılığı hakkındaki yasal hükümler tabidir.

Bu piller, bölgesel, ulusal ve uluslararası yönetmeliklere ve hükümlere uyularak taşınmak zorundadır.

Tüketiciler bu pilleri herhangi bir özel şart aranmaksızın karayoluyla taşıyabilirler.

Lityum iyon pillerin nakliye şirketleri tarafından ticari taşımacılığı için tehlikeli madde taşımacılığının hükümleri geçerlidir. Sevk hazırlığı ve taşıma sadece ilgili eğitimi görmüş personel tarafından gerçekleştirilebilir. Bütün süreç uzmanca bir refakatçilik altında gerçekleştirilmelidir.

Pillerin taşınması sırasında aşağıdaki hususlara dikkat edilmesi gerekmektedir:

Kısa devre oluşmasını önlemek için kontakların korunmuş ve izole edilmiş olmasını sağlayınız.

Pil paketinin ambalajı içinde kaymamasına dikkat ediniz.

Hasarlı veya akmış pillerin taşınması yasaktır.

Ayrıca bilgiler için nakliye şirketinize başvurunuz.

### BAKIM

Her kullanımdan önce cihazı, bağlantı kabloğunu, emniyet kemerini ve fişi hasarlar ve eskime yönünden kontrol ediniz. Hasarlı parçaları sadece bir uzmana tamir ettiriniz.

Aletin havalandırma aralıklarını daima temiz tutun.

Disli çubugun dislerine zaman zaman birkaç damla yağ damlatın. Basma milinin yatığı kendinden yağlamalı olup, kullanıcı tarafından yağlanmamalıdır. Kızgının kayıcı alanlarını Molykote yağı ile yağlayın.

Cihazı her zaman toz ve kirlerden temizleyin. Tutacak kolunu temiz, kuru, sıvı ve katı yağlardan arındırılmış bir şekilde muhafaza edin. Temizlik ve eriyik maddeleri, plastik maddeler ve diğer izole parçaları için zararlıdır, bu nedenle sadece yumuşak bir sabun ve nemli bez ile cihazı temizleyin. Cihazın yakınında hiçbir zaman yanıcı eriyik maddeleri bulundurmayın.

Sadece Milwaukee aksesuarı ve yedek parçası kullanın. Nasıl değiştirileceği açıklanmamış olan yapı parçalarını bir Milwaukee müşteri servisine değiştirin (Garanti ve servis adresi broşürüne dikkat edin).

Gerektiği takdirde aletin dağılık görünüş şeması, alet tipinin ve tip etiketi üzerindeki sayının bildirilmesi koşuluyla müşteri servisinde veya doğrudan Techtronic Industries GmbH, Max-Eyth-Straße 10, 71364 Winnenden, Germany adresinden istenebilir.

### SEMBOLLER



DİKKAT! UYARI! TEHLİKE!



Aletin kendinde bir çalışma yapmadan önce kartuş aküyü çıkarın.



Başınızın üzerindeki seviyedeki çalışmalarda matkap tezgahını daima ikinci bir kişiyle birlikte taşıyınız. Sırtta yaralanmaları önlemek için elektrikli aleti daima ikinci bir kişiyle birlikte taşıyınız.



Lütfen aleti çalıştırmadan önce kullanma kılavuzunu dikkatli biçimde okuyun.



Aletle çalışırken daima koruyucu gözlük kullanın.



Koruyucu kulaklık kullanın!



Koruyucu eldivenlerinizi takınız!



TEHLİKE! Yaralanma tehlikesini azaltmak için, ellerinizi ve bez, giysi vs.yi hareket eden parçalardan ve yongalardan daima uzak tutun. Keski dönerken yongaları temizlemeye tebebbüs etmeyin. Yongalar keskin olup, cisimleri hareket eden parçalara döbür çekebilirler.



Metal parçalar veya saatler taşımak yasaktır.



Kalp pili taşıyan kişiler veya diğer tıbbi implantı bulunan kişiler bu delme sehpasını kullanamaz.



Yasak manyetik veya elektronik ortamda kayıtlı.



Makineyi yağmurlu altında tutmayın.



Karot matkap ucu



İçi dolu matkap ucu



Elektrikli cihazların, pillerin/akülerin evsel atıklarla birlikte bertaraf edilmesi yasaktır. Elektrikli cihazlar ve aküler ayrılarak biriktirilmeli ve çevreye zarar vermeden bertaraf edilmeleri için bir atık değerlendirme tesisine götürülmelidirler. Yerel makamlara veya satıcınıza geri dönüşüm tesisleri ve atık toplama merkezlerinin yerlerini danışınız.

**n<sub>0</sub>** Boştaki devir sayısı

**V** Voltaj

**---** Doğru akım

**CE** Avrupa uyumluluk işareti

**UK  
CA** Britanya uyumluluk işareti

**Ukrayna** uyumluluk işareti  
001

**EAC** Avrasya uyumluluk işareti

**LUNDA**



TECHNICKÁ DATA Magnetická jádrová vrtačka	M18 FMDP
Výrobní číslo	4692 83 02... ... 000001-999999
Napětí výměnného akumulátoru	18 V
Volnoběžné otáčky	400 min <sup>-1</sup> 690 min <sup>-1</sup>
Výška zdvihu	146 mm
Max. magnetická síla	8,89 kN
Upnutí vřetena	19 mm Weldon
Max. ø vrtání vrtákem do předlitého otvoru	38 mm
Max. ø vrtání vrtákem do plného materiálu	13 mm
Hmotnost podle prováděcího předpisu EPTA 01/2014 (Li-Ion 2,0 Ah ... 12,0 Ah)	13,9 ... 14,5 kg
Doporučená teplota okolí pro provoz	-18°C ... +50°C
Doporučené akupaky	M18B..., M18HB...
Doporučené nabíječky	M12-18..., M1418 C6
<b>Informace o hluku</b>	
Naměřené hodnoty odpovídají EN 62841. V třídě A posuzovaná hladina hluku přístroje činí typicky:	
Hladina akustického tlaku (Kolísavost K=3dB(A))	82,4 dB(A)
Hladina akustického výkonu (Kolísavost K=3dB(A))	93,4 dB(A)
<b>Používejte chrániče sluchu !</b>	
<b>Informace o vibracích</b>	
Celkové hodnoty vibrací (vektorový součet tří směrů) zjištěné ve smyslu EN 62841.	
Hodnota vibračních emisí a <sub>h</sub> (Li-Ion 2,0 Ah)	1,69 m/s <sup>2</sup>
Kolísavost K=	1,5 m/s <sup>2</sup>

#### VAROVÁNÍ

Úroveň chvění uvedená v tomto návodu byla naměřena podle metody měření stanovené normou EN 62841 a může být použita pro porovnání elektrického nářadí. Hodí se také pro průběžný odhad zatížení chvěním.

Uvedená úroveň chvění představuje hlavní účely použití elektrického nářadí. Jestliže se ale elektrické nářadí používá pro jiné účely, s odlišnými nástroji nebo s nedostatečnou údržbou, může se úroveň chvění odlišovat. To může značně zvýšit zatížení chvěním během celé pracovní doby.

Pro přesný odhad zatížení chvěním se musí také zohlednit časy, během kterých je přístroj vypnutý nebo kdy je síce v chodu, ale skutečně se s ním nepracuje. To může zatížení chvěním během celé pracovní doby značně snížit.

Stanovte doplňková bezpečnostní opatření pro ochranu obsluhy před účinky chvění jako například: technická údržba elektrického nářadí a nástrojů, udržování teploty rukou, organizace pracovních procesů.



#### VAROVÁNÍ!

**Přečtěte si všechny bezpečnostní pokyny, instrukce, popis a údaje, které obdržíte s přístrojem.** Zanedbání při dodržování varovných upozornění a pokynů mohou mít za následek úder elektrickým proudem, požár a ebo těžká poranění.

**Všechna varovná upozornění a pokyny do budoucna uschovejte.**



#### MAGNETICKÁ JÁDROVÁ VRTAČKA SPECIÁLNÍ BEZPEČNOSTNÍ UPOZORNĚNÍ

Bezpodmínečně používat ochranná zařízení přímočaré pily. Použijte ochranné vybavení. Při práci s elektrickým nářadím používejte vždy ochranné brýle. Doporučujeme rovněž použití součástí ochranného oděvu a ochranné obuvi, jako protiprašné masky, ochranných rukavic, pevné a neklouzající obuvi, ochranné přilby a ochrany sluchu.

Nesahejte do nebezpečného prostoru běžícího stroje.

Pokud stroj běží, nesmí být odstraňovány třísky nebo odštěpky.

Nepoužívejte žádné poškozené nasazovací nástroje.

Kusy spolehlivě upevněte nebo upněte. Pro snížení rizika zranění nikdy nepodržujte obrobek rukama.

**VAROVÁNÍ!** Mohlo by to mít za následek úraz elektrickým proudem. Źeznou tekutinu nepoužívejte, pokud je nástroj v pozici vzhůru nohama ěi v jakékoli pozici, kdy by tato tekutina mohla vniknout do motoru nebo krytu vypínače.

**VAROVÁNÍ!** Abyste zabránili nebezpečí požáru způsobeného zkratem, poraněním nebo poškozením výrobku, neponořujte nářadí, výměnnou baterii nebo nabíječku do kapalin a zajistěte, aby do zařízení a akumulátorů nevnikly žádné tekutiny. Korodující nebo vodivé kapaliny, jako je slaná voda, určité chemikálie a bělicí prostředky nebo výrobky, které obsahují bělidlo, mohou způsobit zkrat.

Náhradní akumulátory ani nabíječku neotvírejte, skladujte je v suchu, chraňte před vlhkem.

Abyste nedošlo ke zranění nebo poškození, neponořujte nikdy nástroj, výjimečně baterii nebo nabíječku do kapaliny a nedovoľte, aby do nich nějaká kapalina vnikla.

Akumulátor systému M18 nabíjejte pouze nabíječkou systému M18. Nenabíjejte akumulátory jiných systémů.

## OBLAST VYUŽITÍ

Stojan vrtačky lze použít k vrtání velkých otvorů v oceli a jiných kovech s obsahem železa.

## PRACOVNÍ POKYNY

Sloupová vrtačka je konstruována tak, aby pomocí elektromagnetu přidržovala železné materiály o tloušce vyšší než 6,35 mm. Z tohoto důvodu nepoužívejte materiály tenější než 6,35 mm. Na magnetickou desku nelze pochytit nemagnetickou nerezovou ocel.

Podklad pod stojanem vrtačky musí být čistý, pevný, hladký, suchý a bez děr a laku.

Stojan vrtačky nevystavujte dešti a nepoužívejte jej v mokřích nebo vlhkých prostorech a ani v prostorech s nebezpečím výbuchu.

Během celé operace používejte stejnou sílu, aby špony a toisky nepadaly pod břit nože. Toisky pod břitem mohou vrtání ztížit nebo dokonce znemožnit.

### VAROVÁNÍ!

Použitím nadměrné síly může dojít k uvolnění magnetu.

Nedotýkejte se hrotů nože. Hroty pravidelně kontrolujte, zdali nejsou uvolniny či poškozeny. Nedotýkejte se hrotů nože. Hroty pravidelně kontrolujte, zdali nejsou uvolniny či poškozeny.

Pro dlouhou životnost nožů se doporučuje používat tekutinu.

Při pracích na šikmých a svislých plochách a nad hlavou musí být magnetický stojan vrtačky zabezpečený pomocí dodaného popruhu.

Bezpečnostní popruh musí být připravený tak, aby obsluha mohla stojan vrtačky při selhání magnetu dát pryč.

Bezpečnostní popruh před každým použitím zkontrolujte, jestli na něm nejsou stopy poškození nebo zestárnutí. Poškozený bezpečnostní popruh nepoužívejte!

Nasazený nástroj se může během používání rozpálit.

**VAROVÁNÍ!** Nebezpečí popálení.

- při výměně nástroje
- při odkládání přístroje

Nevyjímajte nůž, dokud není odstraněn děřík. Děřík může neočekávaně vyskočit.

## AUTOMATICKÉ ZASTAVENÍ

Pomocí AUTOMATICKÉHO ZASTAVENÍ se při zvýšené rázové kroučící síle vyvinuté na magnet stroj automaticky vypne. Zjistěte a odstraňte příčinu automatického zastavení se zohledněním bezpečnostních pokynů.

Eventuální příčinou může být:

- Opracovávaný materiál se zlomí.
- Přetížení elektrického nářadí vlivem příliš vysokého posuvu
- Nečistá magnetická plocha

Stroj vypněte a znovu zapněte

## OCHRANA PROTI OPĚTOVNÉMU NÁBĚHU

Zapnutá vrtačka se po výpadku napětí znovu nerozběhne. Abyste mohli pracovat dál, vrtačku vypněte a opět zapněte.

## BLOK MOTOR / MAGNET

Vzájemný blok motor / magnet zabraňuje průchodu elektrické energie do motoru vrtačky, pokud není zapnut magnet. Tento blok rovněž tak zabraňuje vypnutí magnetu, dokud motor běží.

## CE-PROHLÁŠENÍ O SHODĚ

Prohlašujeme na naši výhradní odpovědnost, že produkt popsán v části „Technické údaje“ splňuje všechna příslušná ustanovení směrnice

2011/65/EU (RoHS)

2006/42/ES

2014/30/EU

a byly použity následující harmonizované normy

EN 62841-1:2015

EN 55014-1:2017:A11 2020

EN 55014-2:2015

EN IEC 63000:2018



Winnenden, 2020-11-10

Alexander Krug / Managing Director

Zplnomocněn k sestavování technických podkladů.

Technic Industries GmbH

Max-Eyth-Straße 10, 71364 Winnenden, Germany

## AKUMULÁTOR

Déle nepoužívané akumulátory je nutné před použitím znovu nabít.

Teplota přes 50°C snižuje výkon akumulátoru. Chraňte před dlouhým přehříváním na slunci či u topení.

Kontakty nabíječky a akumulátoru udržujte v čistotě.

Pro optimální životnost je nutné akumulátory po použití plně dobít.

K zabezpečení dlouhé životnosti by se akumulátory měly po nabíjení vyjmout z nabíječky.

Při skladování akumulátoru po dobu delší než 30 dní: Skladujte akumulátor v suchu při cca 27°C. Skladujte akumulátor při cca 30%-50% nabíjecí kapacity. Opakujte nabíjení akumulátoru každých 6 měsíců.

Použitě nevyhazujte do domovního odpadu nebo do ohně. Milwaukee nabízí ekologickou likvidaci starých článků, ptejte se u vašeho obchodníka s nářadím.

Náhradní akumulátor neskladujte s kovovými předměty, nebezpečí zkratu.

V nabíjecím postu nabíječky neskladujte kovové předměty, nebezpečí zkratu.

Při extrémní zátěži či vysoké teplotě může z akumulátoru vytékat kapalina. Při zasažení touto kapalinou okamžitě zasažená místa omyjte vodou a mýdlem. Při zasažení očí okamžitě důkladně po dobu alespoň 10min. omývat a neodkladně vyhledat lékaře.

## OCHRANA PROTI PŘETÍŽENÍ AKUMULÁTORU

Při přetížení akumulátoru příliš vysokou spotřebou proudu, například při extrémně vysokém kroučícím momentu, začne elektrické nářadí po dobu 5 sekund vibrovat, indikátor dobíjení začne blikat a motor se následně samočinně vypne. K opětovnému zapnutí uvolněte a následně opět stiskněte tlačítkový vypínač. Při extrémním zatížení dochází k příliš vysokému ohřevu akumulátoru. V tomto případě začnou blikat všechny kontrolky indikátoru dobíjení a blikají tak dlouho, dokud se akumulátor opět neochladí. V okamžiku, kdy indikátor dobíjení přestane blikat, je možné v práci opět pokračovat.



Čes

Akumulátor v tomto případě k dobití a aktivaci vložte opět do nabíječky.

## PŘEPRAVA LITHIUM-IONTOVÝCH BATERÍ

Lithium-iontové baterie spadají podle zákonných ustanovení pod přepravu nebezpečného nákladu.

Přeprava těchto baterií se musí realizovat s dodržováním lokálních, vnitrostátních a mezinárodních předpisů a ustanovení.

Spotřebitelé mohou tyto baterie bez problémů přepravovat po komunikacích.

Komerční přeprava lithium-iontových baterií prostřednictvím přepravních firem podléhá ustanovením o přepravě nebezpečného nákladu. Přípravu k vyexpedování a samotnou přepravu směji vykonávat jen příslušně vyškolené osoby. Na celý proces se musí odborně dohlížet.

Při přepravě baterií je třeba dodržovat následující:

Zajistěte, aby kontakty byly chráněné a izolované, aby se zamezilo zkratům.

Dávejte pozor na to, aby se svazek baterií v rámci balení nemohl sesmeknout.

Poškozené a vyteklé baterie se nesmějí přepravovat.

Ohledně dalších informací se obraťte na vaši přepravní firmu.

## ÚDRŽBA

Před každým použitím přístroje, připojovací kabel, prodlužovací kabel, bezpečnostní popruh a zástrčku zkontrolujte, jestli nejsou poškozené a nemají příznaky zezárnutí. Poškozené díly nechte opravit u odborníka.

Větrací štěrbinu nářadí udržujeme stále čisté.

Na ozubení ozubené tyče naneste občas několik kapek oleje. Ložiska posuvné hřídele jsou samomazná a nesmějí se mazat. Kluznou plochu suportu mažte mazivem se sulfidem molybdeničitým.

Průběžně stírejte za přístroje prach a nečistoty. Rukojeť udržujte v čistotě, suchou a bez olejových nebo tukových skvrn. Čistící přípravky a rozpouštědla škodí umělým hmotám a jiným izolovaným dílům, proto čistěte přístroj pouze jemným mýdlem a vlhkým hadrem. Nikdy nepoužívejte hořlavá rozpouštědla v blízkosti přístroje.

Používat výhradně příslušenství Milwaukee a náhradní díly Milwaukee. Díly jejichž výměny nebyla popsána, nechte vyměnit u autorizovaném servisu (viz. "Záruky / Seznam servisních míst")

Při potřebě podrobného rozkresu konstrukce, oslovte informaci o typu a čísle přímo servis a nebo výrobce, Techtronic Industries GmbH, Max-Eyth-Straße 10, 71364 Winnenden, Germany.

## SYMBOLY



POZOR! VAROVÁNÍ! NEBEZPEČÍ!



Před zahájením veškerých prací na vrtacím šroubováku vyjmout výměnný akumulátor.



Při práci se stojanem vrtáčky nad úrovní hlavy pracujte vždy ve dvou. Noste toto elektrické nářadí vždy ve dvou, aby se zabránilo poraněním zad.



Před spuštěním stroje si pečlivě pročtete návod k používání.



Při práci se strojem neustále nosit ochranné brýle.



Používejte chrániče sluchu!



Používejte ochranné rukavice!



**NEBEZPEČÍ!** Abyste snížili riziko úrazu, dbejte na to, abyste se nedotkli pohyblivých se částí a špon, a už rukama nebo částí odvalu ei hadrem. Nepokoušejte se špony odstranit, dokud se nůž točí. Tyto špony jsou ostré a mohou vřáhnout poedmit do pohyblivých se částí.



Je zakázáno mít u sebe kovové součástky a hodinky.



Osoby s kardiostimulátory či jinými lékařskými implantáty nesmějí tento vrtací stojan používat.



Nošení magnetických nebo elektronických médií zakázáno.



Neuvystavujte stroj dešti.



Jádrový korunkový vrták



Plný vrták



Elektrická zařízení, baterie/akumulátory se nesmí likvidovat společně s odpadem z domácnosti. Elektrická zařízení, baterie/akumulátory je třeba sbírat odděleně a odevzdat je v recyklačním podniku na ekologickou likvidaci. Na místních úřadech nebo u vašeho specializovaného prodejce se informujte na recyklační podniky a sběrné dvory.

**n<sub>o</sub>** Volnoběžné otáčky

**V** Napájení

**---** Stejnoseměrný proud

**CE** Značka shody v Evropě

**UK CA** Značka shody v Británii

**001** Značka shody na Ukrajině

**EAC** Značka shody pro oblast Eurasie

TECHNICKÉ ÚDAJE Magnetická jadrová vrtačka	M18 FMDP
Výrobné číslo	4692 83 02... ... 000001-999999
Napätie výmenného akumulátora	18 V
Otáčky naprázdno	400 min <sup>-1</sup> 690 min <sup>-1</sup>
Výška zdvihu	146 mm
Max. magnetická sila	8,89 kN
Uchytenie vretena	19 mm Weldon
Max. ø vrtu s jadrovým (dutým) vrtákom	38 mm
Max. ø vrtu s plným vrtákom	13 mm
Hmotnosť podľa vykonávacieho predpisu EPTA 01/2014 (Li-Ion 2,0 Ah ... 12,0 Ah)	13,9 ... 14,5 kg
Odporúčaná teplota okolia pre prevádzku	-18°C ... +50°C
Odporúčané akupaky	M18B..., M18HB...
Odporúčané nabíjačky	M12-18..., M1418 C6
<b>Informácia o hluku</b>	
Namerané hodnoty určené v súlade s EN 62841. V triede A posudzovaná hladina hluku prístroja činí typicky:	
Hladina akustického tlaku (Kolíisavosť K=3dB(A))	82,4 dB(A)
Hladina akustického výkonu (Kolíisavosť K=3dB(A))	93,4 dB(A)
<b>Používajte ochranu sluchu!</b>	
<b>Informácie o vibráciách</b>	
Celkové hodnoty vibrácií (vektorový súčet troch smerov) zistených zmysle EN 62841.	
Hodnota vibračných emisií a <sub>h</sub> (Li-Ion 2,0 Ah)	1,69 m/s <sup>2</sup>
Kolíisavosť K=	1,5 m/s <sup>2</sup>



Slov

## POZOR

Úroveň vibrácií uvedená v týchto pokynoch bola nameraná meracou metódou, ktorú stanovuje norma EN 62841 a je možné ju použiť na vzájomné porovnanie elektrického náradia. Hodí sa aj na predbežné posúdenie kmitavého namáhania.

Uvedená úroveň vibrácií reprezentuje hlavné aplikácie elektrického náradia. Ak sa však elektrické náradie používa pre iné aplikácie, s odlišnými vloženými nástrojmi alebo s nedostatočnou údržbou, môže sa úroveň vibrácií líšiť. Toto môže kmitavé namáhanie v priebehu celej pracovnej doby podstatne zvýšiť.

Pre presný odhad kmitavého namáhania by sa mali tiež zohľadniť doby, v ktorých je náradie vypnuté alebo je síce v chode, ale v skutočnosti sa nepoužíva. Toto môže kmitavé namáhanie v priebehu celej pracovnej doby zreteľne redukovať.

Stanovte dodatočné bezpečnostné opatrenia pre ochranu obsluhy pred účinkami vibrácií, ako napríklad: údržba elektrického náradia a vložených nástrojov, udržiavanie teploty rúk, organizácia pracovných postupov.

### POZOR!

**Prečítajte si všetky bezpečnostné upozornenia, pokyny, vyrobzenia a údaje, ktoré dostanete spolu s prístrojom.** Zanedbanie dodržiavania Výstražných upozornení a pokynov uvedených v nasledujúcom texte môže mať za následok zásah elektrickým prúdom, spôsobiť požiar a/alebo ťažké poranenie. **Tieto Výstražné upozornenia a bezpečnostné pokyny starostlivo uschovajte na budúce použitie.**

### MAGNETICKÁ JADROVÁ VRTAČKA ŠPECIÁLNE BEZPEČNOSTNÉ POKYNY

Ochranné zariadenie stroja bezpodmienečne používajte Použite ochranné vybavenie. Pri práci s elektrickým náradím používajte vždy ochranné okuliare. Doporučujeme taktiež použitie súčastí ochranného odevu a ochrannej obuvi, ako sú protiprašná maska, ochranné rukavice, pevná a neklzájúca obuv, ochranná prilba a ochrana sluchu.

Nesiahať do nebezpečnej oblasti bežiaceho stroja.

Triesky alebo úlomky sa nesmú odstraňovať za chodu stroja.

Nepoužívajte žiadne poškodené pracovné nástroje.

Obrobky bezpečne upevniť alebo upnúť. Aby sa predišlo riziku poranenia, nemal by sa obrobok pridržovať rukou.

**POZOR!**

Žiadnu kvapalinu na rezanie nepoužívajte v pozícii prístroja nad hlavou alebo iných polohách, pri ktorých by táto kvapalina mohla vniknúť do motora alebo do krytu s vypínačom.

**POZOR!** Aby ste zabránili nebezpečenstvu požiaru spôsobeného skratom, poraneniam alebo poškodeniam výrobku, neponárajte náradie, výmennú batériu alebo nabíjačku do kvapalín a postarajte sa o to, aby do zariadení a akumulátorov nevnikli žiadne tekutiny. Korodujúce alebo vodivé kvapaliny, ako je slaná voda, určité chemikálie a bieliace prostriedky alebo výrobky, ktoré obsahujú bieliadlo, môžu spôsobiť skrat.

Výmenné akumulátory a nabíjacie zariadenia neotvárať a skladovať len v suchých priestoroch. Chrániť pred vlhkosťou.

Aby nedošlo k poraneniu a poškodeniam, nikdy neponorajte nástroj, vymeniteľnú batériu ani nabíjačku do kvapaliny a zabráňte vniknutiu kvapaliny do nich.

Výmenné akumulátory systému M18 nabíjajú len nabíjacími zariadeniami systému M18. Akumulátory iných systémov týmto zariadením nenabíjajú.

### POUŽITIE PODĽA PREDPISOV

Stojan vrtáčky možno používať na vrtanie veľkých otvorov do ocele a iných kovov s obsahom železa.

### NAPOTKI ZA DELO

Elektromagnetická stojanová vrtáčka je magneticky pridržiavaná na 6,35 mm alebo hrubšom materiáli obsahujúcom železo.

Nepoužívajte na materiáli, ktorý má menšiu hrúbku ako 6,35 mm. Magnetický podstavec NEBUDE DRŽAŤ na nemagnetických miestach z ušľachtilej ocele.

Podklad pod stojanom vrtáčky musí byť čistý, pevný, hladký, suchý a bez dier a laku.

Stojan vrtáčky nevystavujte dažďu a nepoužívajte vo vlhkých a mokrych priestoroch a v priestoroch, v ktorých hrozí nebezpečenstvo výbuchu.

Počas celého procesu vyvíjajte rovnomerný tlak, aby pod frézované hrany nepadali žiadne triesky alebo ostrapy. Vďaka odpadu z frézovania, ktorý sa dostane pod frézu, sa môže stať, že zrealizovanie frézovacích prác sa za daných okolností staží alebo dokonca znemožní.

POZOR!

Použitím nadmernej sily sa magnet uvoľní.

Zamedzte kontaktu s hrotmi frézy. Hroty frézy občas skontrolujte, či nie sú uvoľnené alebo poškodené.

Kvôli zabezpečeniu dlhej prevádzkovej životnosti týchto fréz sa odporúča používať reznú kvapalinu.

Pri prácach na šikmých a zvislých plochách a nad hlavou musí byť magnetický stojan vrtáčky zabezpečený pomocou dodaného popruhu.

Bezpečnostný popruh musí byť pripavený tak, aby sa stojan vrtáčky pri zlyhaní magnetu dal obsluhou pohnúť preč.

Bezpečnostný popruh pred každým použitím skontrolujte, či na ňom nie sú znaky poškodenia alebo zostarnutia. Poškodený bezpečnostný popruh nepoužívajte!

Nasadený nástroj sa počas používania môže rozhorúčiť.

POZOR! Nebezpečenstvo popálenia

- pri výmene nástroja
- pri odkladaní prístroja

Frézu odstráňte až vtedy, keď bol opracovávaný kus vybratý von. Opracovávaný kus môže byť neočakávane vyhodnený von.

### AUTOMATICKÉ ZASTAVENIE

Pomocou AUTOMATICKÉHO ZASTAVENIA sa pri zvýšenej rázovej krútiacej sile vyvinutej na magnet stroj automaticky vypne. Zistite a odstráňte príčinu automatického zastavenia so zohľadnením bezpečnostných pokynov.

Eventuálnou príčinou môže byť:

- Zlomenie sa opracovávaného materiálu
- Preťaženie elektrického náradia prostred. príliš vysokého posuvu
- Nie čistá magnetická plocha

Stroj vypnite a znovu zapnite

### OCHRANA PROTI OPÄTOVNÉMU NÁBEHU

Zapnutý stroj po výpadku napätia opäť nenabehne. Aby ste mohli pokračovať v práci, stroj vypnite a potom znovu zapnite.

### ZABLOKOVANIE MOTORA/MAGNETU

Zablokovanie motora / magnetu je bezpečnostný prvok, ktorý zabráni tomu, aby bol motor vrtáčky zásobovaný prúdom, keď magnet nie je aktivovaný. Toto zablokovanie sa stará o to, aby sa magnet nevyvol počas toho, ako beží motor.

### CE - VYHLÁSENIE KONFORMITY

Na našu výhradnú zodpovednosť vyhlasujeme, že produkt popísaný v časti „Technické údaje“ spĺňa všetky príslušné ustanovenia smerníc

2011/65/EÚ (RoHS)

2006/42/ES

2014/30/EÚ

a boli použité nasledovné harmonizované normy

EN 62841-1:2015

EN 55014-1:2017:A11 2020

EN 55014-2:2015

EN IEC 63000:2018



Winnenden, 2020-11-10

Alexander Krug / Managing Director  
Splnomocnený zostaviť technické podklady.

Techtronic Industries GmbH

Max-Eyth-Straße 10, 71364 Winnenden, Germany

### AKUMULÁTORY

Dlhší čas nepoužívané výmenné akumulátory pred použitím dobíť.

Teplota vyššia ako 50°C znižuje výkon výmenného akumulátora.

Zabráňte dlhšiemu ohriatiu slnkom alebo kúrením.

Pripájacie kontakty na nabíjacom zariadení a výmennom akumulátore udržiavať čisté.

Pre optimálnu životnosť je nutné akumulátory po použití plne dobíť.

K zabezpečeniu dlhej životnosti by sa akumulátory mali po nabití vybrať z nabíjačky.

Pri skladovaní akumulátora po dobu dlhšiu než 30 dní: Skladujte akumulátor v suchu pri cca 27°C. Skladujte akumulátor pri cca 30%-50% nabíjacej kapacity. Opakujte nabíjanie akumulátora každých 6 mesiacov.

Opotrebované výmenné akumulátory nezahadzujte do ohňa alebo medzi domový odpad. Milwaukee ponúka likvidáciu starých výmenných akumulátorov, ktorá je v súlade s ochranou životného prostredia; informujte sa u Vášho predajcu.

Výmenné akumulátory neskladovať spolu s kovovými predmetmi (nebezpečenstvo skratu).

Do zasúvacieho otvoru pre výmenné akumulátory na nabíjacom zariadení, sa nesmú dostať žiadne kovové predmety (nebezpečenstvo skratu).

Slovensky

Pri extrémnych záťažach alebo extrémnych teplotách môže dôjsť k vytekaniu batérovej tekutiny z poškodeného výmenného akumulátora. Ak dôjde ku kontaktu pokožky s roztokom, postihnuté miesto umyť vodou a mydlom. Ak sa roztok dostane do očí, okamžite ich dôkladne vypláchnuť po dobu min. 10 min a bezodkladne vyhľadať lekára.

### OCHRANA PROTI PREŤAŽENIU AKUMULÁTORA

Pri preťažení akumulátora príliš vysokou spotrebou prúdu, napríklad pri extrémne vysokom krútiacom momente, začne elektrické náradie po dobu 5 sekúnd vibrovať, indikátor dobijania začne blikať a motor sa následne samočinne vypne. K opätovnému zapnutiu uvoľníte a následne opäť stlačíte tlačidlovú vypínač. Pri extrémnom zaťažení dochádza k príliš vysokému ohrevu akumulátora. V tomto prípade začnú blikať všetky kontrolky indikátora dobijania a blikajú tak dlho, dokiaľ sa akumulátor opäť neochladí. V okamihu, keď indikátor dobijania prestane blikať, je možné v práci opäť pokračovať.

Akumulátor v tomto prípade k dobitiu a aktivácii vložte opäť do nabíjačky.

### PREPRAVA LÍTIOVO-IÓNOVÝCH BATÉRIÍ

Lítiovo-iónové batérie podľa zákonných ustanovení spadajú pod prepravu nebezpečného nákladu.

Preprava týchto batérií sa musí realizovať s dodržiavaním lokálnych, vnútroštátnych a medzinárodných predpisov a ustanovení.

Spotrebiteľia môžu tieto batérie bez problémov prepravovať po cestách.

Komerčná preprava lítiovo-iónových batérií prostredníctvom špeciálnych firiem podlieha ustanoveniam o preprave nebezpečného nákladu. Prípravu k vyexpedovaniu a samotnú prepravu smú vykonávať iba adekvátne vyškolené osoby. Na celý proces sa musí odborné dohliadať.

Pri preprave batérií treba dodržiavať nasledovné:

Zabezpečte, aby boli kontakty chránené a izolované, aby sa zamedzilo skratom.

Dávajte pozor na to, aby sa zväzok batérií v rámci balenia nemohol zošmyknúť.

Poškodené a vytečené batérie sa nesmú prepravovať.

Kvôli ďalším informáciám sa obráťte na vašu špeciálnu firmu.

### ÚDRŽBA

Pred každým použitím prístroj, prípojný kábel, predlžovací kábel, bezpečnostný popruh a zástrečku skontrolujte, či nie sú poškodené a nemajú príznaky zostarnutia. Poškodené diely nechajte opraviť u odborníka.

Vetracie otvory udržiavať stále v čistote.

Na ozubenie ozubeného hrebeňa naneste občas niekoľko kvapiek oleja. Ložiská posuvného hriadeľa sú samomastiace a nesmú sa olejovať. Na mazanie klznej plochy suportu používajte masťo Molykote.

Priebežne stierajte z prístroja prach a nečistoty. Rukoväť udržiajte v čistote, suchú a bez olejových alebo tukových škvrín. Čistiace prípravky a rozpúšťadlá škodia umelým hmotám a iným izolovaným dielom, preto čistite prístroj len jemným mydlom a vlhkou handrou. Nikdy nepoužívajte horľavé rozpúšťadlá v blízkosti prístroja.

Používať len Milwaukee príslušenstvo a Milwaukee náhradné diely. Súčasti bez návodu na výmenu treba dat vymeniť v jednom z Milwaukee zákazníckych centier (viď brožúru Záruka/Adresy zákazníckych centier).

Pri udaní typu stroja a čísla nachádzajúceho sa na štítku dá sa v prípade potreby vyžiadať explozívna schéma prístroja od vášho zákazníckeho centra alebo priamo v Techtronic Industries GmbH, Max-Eyth-Straße 10, 71364 Winnenden, Germany.

### SYMBOLY



POZOR! NEBEZPEČENSTVO!



Pred každou prácou na stroji výmenný akumulátor vytiahnuť.



Pri prácach v polohách stojana vrtačky nad hlavou treba pracovať vždy vo dvojici. Toto elektrické náradie prenášajte vždy vo dvojici, aby ste predišli poraneniu chrbtice.



Pred prvým použitím prístroja si pozorne prečítajte návod na obsluhu.



Pri práci so strojom vždy noste ochranné okuliare.



Používajte ochranu sluchu!



Používajte ochranné rukavice!



**NEBEZPEČENSTVO!** Aby sa predišlo poraneniám, ruky, handry, šaty, atď. majte stále v bezpečnej vzdialenosti od pohybujúcich sa častí a kovových triesok. Kovové triesky v žiadnom prípade neodstraňujte počas toho, ako sa fréza ešte otáča. Tieto triesky majú ostré hrany a môžu predmety vtiahnuť do pohybujúcich sa častí.



Je zakázané mať na sebe kovové predmety a hodinky.



Osoby s kardiostimulátorom alebo s inými zdravotnými implantátmi nesmú tento vrtač stojan používať.



Nosenie magnetických alebo elektronických médií je zakázané.



Nevstavujte stroj dažďu.



Jadrový korunkový vrtač



Plný vrtač





Elektrické zariadenia, batérie/akumulátory sa nesmú likvidovať spolu s odpadom z domácností. Elektrické zariadenia, batérie/akumulátory treba zbierať oddelene a odovzdať ich v recyklačnom podniku na ekologickú likvidáciu. Na miestnych úradoch alebo u vášho špecializovaného predajcu sa spýtajte na recyklačné podniky a zberné dvory.


**n<sub>0</sub>** Otázky naprázdno





**V** Napätie

 Jednosmerný prúd

 Značka zhody v Európe

 Značka zhody v Británii

 Značka zhody na Ukrajine

 Značka zhody pre oblasť Eurázie





DANE TECHNICZNE Magnetyczna wiertnica	M18 FMDP
Numer produkcyjny	4692 83 02... ... 000001-999999
Napięcie baterii akumulatorowej	18 V
Prędkość bez obciążenia	400 min <sup>-1</sup> 690 min <sup>-1</sup>
Długość skoku	146 mm
Maks. siła elektromagnesu	8,89 kN
Mocowanie wrzeciona	19 mm Weldon
Maks. średnica wiercenia wiertłem do otworu pod gwint	38 mm
Maks. średnica wiercenia wiertłem pełnym	13 mm
Ciężar wg procedury EPTA 01/2014 (Li-Ion 2,0 Ah ... 12,0 Ah)	13,9 ... 14,5 kg
Zalecana temperatura otoczenia w trakcie eksploatacji	-18°C ... +50°C
Zalecane zestawy akumulatorowe	M18B..., M18HB...
Zalecane ładowarki	M12-18..., M1418 C6
<b>Informacja dotycząca szumów</b> Zmierzone wartości wyznaczono zgodnie z normą EN 62841. Poziom szumów urządzenia oszacowany jako A wynosi typowo: Poziom ciśnienia akustycznego (Niepewność K=3dB(A)) 82,4 dB(A) Poziom mocy akustycznej (Niepewność K=3dB(A)) 93,4 dB(A) <b>Należy używać ochroniaczy uszu!</b>	
<b>Informacje dotyczące wibracji</b> Wartości łączne drgań (suma wektorowa trzech kierunków) wyznaczone zgodnie z normą EN 62841 Wartość emisji drgań a <sub>h</sub> (Li-Ion 2,0 Ah) 1,69 m/s <sup>2</sup> Niepewność K= 1,5 m/s <sup>2</sup>	

## OSTRZEŻENIE

Podany w niniejszych instrukcjach poziom drgań został zmierzony za pomocą metody pomiarowej zgodnej z normą EN 62841 i może być użyty do porównania ze sobą elektronarzędzi. Nadaje się on również do tymczasowej oceny obciążenia wibracyjnego.

Podany poziom drgań reprezentuje główne zastosowania elektronarzędzia. Jeśli jednakże elektronarzędzie użyte zostanie do innych celów z innymi narzędziami roboczymi lub nie jest dostatecznie konserwowane, wtedy poziom drgań może wykazywać odchylenia. Może to wyraźnie zwiększyć obciążenie wibracjami przez cały okres pracy.

Dla dokładnego określenia obciążenia wibracjami należy uwzględnić również czasy, w których urządzenie jest wyłączone względnie jest włączone, lecz w rzeczywistości nie pracuje. Może to spowodować wyraźną redukcję obciążenia wibracyjnego w całym okresie pracy.

Należy wprowadzić dodatkowe środki zapobiegawcze celem ochrony obsługującego przed oddziaływaniem drgań, jak na przykład: konserwacja narzędzi roboczych i elektronarzędzi, nagranie rąk, organizacja przebiegu pracy.

### OSTRZEŻENIE!

**Przeczytać wszystkie wskazówki bezpieczeństwa, instrukcje, ilustracje i dane dołączone do urządzenia.** Błędy w przestrzeganiu poniższych wskazówek mogą spowodować porażenie prądem, pożar i/lub ciężkie obrażenia ciała.

**Należy starannie przechowywać wszystkie przepisy i wskazówki bezpieczeństwa dla dalszego zastosowania.**

### **MAGNETYCZNA WIERTNICA INSTRUKCJE DOTYCZĄCE BEZPIECZEŃSTWA**

Zawsze stosować osłony ochronne na elektronarzędziu. Stosować wyposażenie ochronne. Przy pracy maszyną zawsze nosić okulary ochronne. Zalecana jest odzież ochronna, jak maska pyłochronna, rękawice ochronne, mocne i chroniące przed poślizgiem obuwie, kask i ochronniki słuchu.

Podczas pracy strugarki nie zbliżać się do strefy niebezpiecznej.

Podczas pracy elektronarzędzia nie wolno usuwać trocin ani drzazg.

W żadnym wypadku nie należy używać uszkodzonych narzędzi roboczych.

Zacisnąć lub w inny sposób zamocować obrabiany przedmiot. Aby zmniejszyć ryzyko wypadku, nie przytrzymuj obrabianego przedmiotu ręką.

**OSTRZEŻENIE!** Wilgotne styki grożą porażeniem prądem.

Nie stosować płynu frezerskiego w pozycji górnej ani w żadnej innej, w której płyn mógłby się dostać do obudowy silnika lub przełącznika.

**OSTRZEŻENIE!** Aby uniknąć niebezpieczeństwa pożaru, obrażeń lub uszkodzeń produktu na skutek zwarcia, nie wolno zanurzać narzędzia, akumulatora wymiennego ani ładowarki w cieczach i należy zatroszczyć się o to, aby do urządzeń i akumulatorów nie dostały się żadne ciecze. Zwarcie spowodować mogą korodujące



lub przewodzące cieczce, takie jak woda morską, określone chemikalia i wybielacze lub produkty zawierające wybielacze.

Nie otwierać wkładek akumulatorowych i ładowarek. Przechowywać w suchych pomieszczeniach. Chronić przed wilgocią.

W celu uniknięcia obrażeń lub szkód nigdy nie należy zanurzać narzędzia, wymiennej baterii ani ładowarki w cieczy ani nie dopuszczają, aby ciecz przeniknęła do ich wnętrza.

Akumulatory Systemu M18 należy ładować wyłącznie przy pomocy ładowarek Systemu M18. Nie ładować przy pomocy tych ładowarek akumulatorów innych systemów.

## WARUNKI UŻYTKOWANIA

Stojak wiertarski może być stosowany do wiercenia dużych otworów w stali i innych metalach żelaznych.

## WSKAZÓWKI DOTYCZĄCE UŻYTKOWANIA

Elektromagnetyczna wiertarka pionowa przywiera magnetycznie do materiału ferromagnetycznego grubości od 6,35 mm wzwyż. Nie należy stosować materiału cieńszego niż 6,35 mm. Podstawa magnetyczna NIE będzie przywierać do niemagnetycznych odmian stali nierdzewnej.

Podłoże pod stojakiem wiertarki winno być czyste, wytrzymałe, gładkie, suche i wolne od otworów i lakieru.

Nie narażać stojaka na działanie deszczu i nie używać go w pomieszczeniach mokrych, wilgotnych i zagrożonych wybuchem.

Utrzymywanie stałego nacisku podczas pracy zapobiega dostawianiu się wirów i zadziorów pod krawędzie tnące, co utrudnia lub uniemożliwia pracę frezu.

### OSTRZEŻENIE!

Pod wpływem nadmiernej siły magnes może zostać uwolniony.

Unikaj kontaktu z narzynkami frezu. Co jakiś czas należy sprawdzać, czy narzynki frezu nie są obluźwane lub uszkodzone.

Zaleca się stosowanie pyłu frezerskiego, który przeduwa wyotno frezów.

Podczas pracy na powierzchniach nachylonych i pionowych oraz powyżej głowy stojak magnetyczny wiertarki musi być zabezpieczony dostarczonym pasem.

Pas zabezpieczający winien być tak umieszczony, aby w razie awarii elektromagnesu stojak wiertarki mógł się przemieścić w kierunku od operatora.

Przed każdym użyciem pas bezpieczeństwa należy skontrolować pod kątem uszkodzeń i starzenia. Nie wolno używać uszkodzonego pasa zabezpieczającego!

Narzędzie nasadzane może w trakcie użytkowania stać się gorące.

**OSTRZEŻENIE!** Niebezpieczeństwo oparzenia się

- przy wymianie narzędzia
- przy odstawianiu urządzenia

Nie wyjmować frezu, jeżeli punktak nie został wyjęty. Punktak może zostać niespodziewanie wyrzucony.

## AUTO-STOP

W przypadku wystąpienia nadmiernej gwałtownej siły obrotu na elektromagnesie maszyna zostanie automatycznie odłączona za pomocą AUTO STOP. Należy ustalić i usunąć przyczynę automatycznego zatrzymania z uwzględnieniem wskazówek bezpieczeństwa.

Możliwymi przyczynami mogą być:

- Przełamanie obrabianego materiału
- Przeciążenie elektronarzędzia na skutek zbyt dużego posuwu
- Zanieczyszczona powierzchnia elektromagnesu

Maszynę wyłączyć i włączyć z powrotem.

## ZABEZPIECZENIE PRZED PONOWNYM URUCHOMIENIEM

Włączona maszyna po zaniku napięcia nie wystartuje ponownie. Aby kontynuować pracę należy wyłączyć i ponownie włączyć maszynę.

## BLOKADA SILNIKIEM / MAGNESU

Sprzęt magnesu z silnikiem zapobiega zasilaniu silnika, jeżeli magnes nie jest zasilany, jak również odłączeniu zasilania magnesu, gdy silnik pracuje.

## DEKLARACJA ZGODNOŚCI CE

Oświadczamy na naszą wyłączną odpowiedzialność, że produkt opisany pod „Dane techniczne” spełnia wszystkie istotne przepisy dyrektywy

2011/65/UE (RoHS)

2006/42/WE

2014/30/UE

i zastosowano następujące zharmonizowane normy

EN 62841-1:2015

EN 55014-1:2017:A11 2020

EN 55014-2:2015

EN IEC 63000:2018



Winnenden, 2020-11-10

Alexander Krug / Managing Director

Upelnomocniony do zestawienia danych technicznych

Techtronic Industries GmbH

Max-Eyth-Straße 10, 71364 Winnenden, Germany

## BATERIE AKUMULATOROWE

Akumulatory, które nie były przez dłuższy czas użytkowane, należy przed użyciem naładować.

W temperaturze powyżej 50°C następuje spadek osiągniętych wkładki akumulatorowej. Unikać długotrwałego wystawienia na oddziaływanie ciepła lub promieni słonecznych (niebezpieczeństwo przegrzania).

Styki ładowarek i wkładek akumulatorowych należy utrzymywać w czystości

Dla zapewnienia optymalnej żywotności akumulatory po użyciu należy naładować do pełnej pojemności.



Dla zapewnienia możliwie długiej żywotności akumulatory należy wyjąć z ładowarki po ich naładowaniu.

W przypadku składowania akumulatorów dłuższej aniżeli 30 dni: Przechowywać je w suchym miejscu w temperaturze ok. 27°C. Przechowywać je w stanie naładowanym do ok. 30% - 50%. Ładować je ponownie co 6 miesięcy.

Zużytych akumulatorów nie wolno wrzucać do ognia ani traktować jako odpadów domowych. Milwaukee oferuje ekologiczną uтиlizację zużytych akumulatorów.

Nie przechowywać akumulatorów wraz z przedmiotami metalowymi (niebezpieczeństwo zwarcia).

Do ładowarki nie wolno wkładać żadnych przedmiotów metalowych (niebezpieczeństwo zwarcia).

W skrajnych warunkach temperaturowych lub przy bardzo dużym obciążeniu może dochodzić do wycieku kwasu akumulatorowego z uszkodzonych baterii akumulatorowych. W przypadku kontaktu z kwasem akumulatorowym należy natychmiast przemyć miejsce kontaktu wodą z mydłem. W przypadku kontaktu z oczami należy dokładnie przepłukiwać oczy przynajmniej przez 10 minut i zwrócić się natychmiast o pomoc medyczną.

### ZABEZPIECZENIE PRZECIĄŻENIOWE AKUMULATORA

W przypadku przeciążenia akumulatora przez bardzo duży pobór prądu, na przykład wskutek ekstremalnie dużych momentów obrotowych, narzędzie ręczne z napędem elektrycznym wibruje przez 5 sekund, miga wskaźnik ładowania i narzędzie samoczynnie wyłącza się. W celu ponownego włączenia narzędzia należy zwoinic przycisk przełączający, a następnie ponownie go włączyć. Przy ekstremalnych obciążeniach akumulator nagrzewa się za mocno. W takim przypadku wszystkie lampki wskaźnika ładowania migają tak długo, aż akumulator ochłodzi się. Po zgaśnięciu wskaźnika ładowania można kontynuować pracę.

Wówczas należy wetknąć akumulator do ładowarki, aby go ponownie naładować i aktywować.

### TRANSPORT AKUMULATORÓW LITOWO-JONOWYCH

Akumulatory litowo-jonowe podlegają ustawowym przepisom dotyczącym transportu towarów niebezpiecznych.

Transport tych akumulatorów winien odbywać się przy przestrzeganiu lokalnych, krajowych i międzynarodowych rozporządzeń i przepisów.

Odbiorcom nie wolno transportować tych akumulatorów po drogach o tak po prostu.

Komercyjny transport akumulatorów litowo-jonowych przez przedsiębiorstwa spedycyjne podlega przepisom dotyczącym transportu towarów niebezpiecznych. Przygotowania do wysyłki oraz transport mogą być wykonywane wyłącznie przez odpowiednio przeszkolone osoby. Cały proces winien odbywać się pod fachowym nadzorem.

W czasie transportu akumulatorów należy przestrzegać następujących punktów:

Celem uniknięcia zwarcia należy upewnić się, że zestyki są zabezpieczone i zaizolowane.

Zwraca uwagę na to, aby zespół akumulatorów nie mógł się przemieszczać we wnętrzu opakowania.

Nie wolno transportować akumulatorów uszkodzonych lub z wyciekającym z elektrolitem.

Odnosnie dalszych wskazań należy zwrócić się do swojego przedsiębiorstwa spedycyjnego.

### UTRZYMANIE I KONSERWACJA

Przed każdym użyciem sprawdzić urządzenie, kabel zasilający, przedłużacz, pas bezpieczeństwa i wtyczkę pod kątem uszkodzeń i zużycia. Wymiana winna zostać dokonana wyłącznie przez specjalistę.

Otwory wentylacyjne elektronarzędzia muszą być zawsze drożne.

Na użebienie zębalki od czasu do czasu dać kilka kropli oleju. Łożyska wałki pociągowej są samosmarujące i nie wolno ich oliwić. Powierzchnię ślizgową sań smarować smarem Molykote.

Usuwać zawsze pył i zanieczyszczenia z przyrządu. Uchwyty utrzymywać zawsze w stanie czystym, suchym i wolnym od oleju lub smaru. Środki czyszczące i rozpuszczalniki działają niekorzystnie na tworzywa sztuczne i inne części izolujące, dlatego też przyrząd należy myć tylko wilgotną ściereczką nasączoną łagodnym mydłem. Nigdy nie należy używać palnych rozpuszczalników w pobliżu przyrządu.

Używać tylko i wyłącznie wyposażenia dodatkowego Milwaukee i części zamiennych Milwaukee. Gdyby trzeba było wymienić części, które nie zostały opisane, należy skontaktować się z przedstawicielem serwisu Milwaukee (patrz wykaz adresów punktów usługowych/gwarancyjnych).

Na życzenie można otrzymać rysunek widoku zespołu rozebranego. Przy zamawianiu należy podać numer oraz typ elektronarzędzia umieszczony na tabliczce znamionowej. Zamówienia można dokonać albo u lokalnych przedstawicieli serwisu, albo bezpośrednio w Techtronic Industries GmbH, Max-Eyth-Straße 10, 71364 Winnenden, Germany.

### SYMBOLY



**UWAG! OSTRZEŻENIE NIEBEZPIECZEŃSTWO!**



Przed wystąpieniem od jakichkolwiek prac na elektronarzędziu należy wyjąć wkładkę akumulatorową.



W przypadku zastosowania stojaka wiertarskiego do pracy nad głową należy pracować zawsze we dwojkę. Narzędzie elektryczne należy zawsze nosić we dwojkę, aby uniknąć obrażeń pleców.



Przed uruchomieniem elektronarzędzia zapoznać się uważnie z treścią instrukcji.



Podczas pracy należy zawsze nosić okulary ochronne.



Należy używać ochroniaczy uszu!



Nosić rękawice ochronne!



**NIEBEZPIECZEŃSTWO!** Aby zmniejszyć ryzyko wypadku, należy zawsze trzymać ręce, szmaty, odzież itp. z dala od części ruchomych i wiórów. Nie wolno usuwać wiórów, gdyż frez obraca się. Wióry są ostre i mogą wciągnąć przedmioty do części ruchomych.




Nie wolno też mieć przy sobie części metalowych ani zegarków.



Osobom z rozrusznikami serca lub innymi medycznymi implantami nie wolno stosować tego stojaka wiertarskiego.





 Bilansowa magnetycznych lub elektronicznych nośników zabronione.

 Chronić maszynę przed deszczem.


 Wiertło koronowe

 Wiertło rdzeniowe

 Urządzenia elektryczne, baterie/akumulatory nie mogą być usuwane razem z odpadami pochodzącymi z gospodarstw domowych. Urządzenia elektryczne i akumulatory należy gromadzić oddzielnie i w celu usuwania ich do odpadów zgodnie z wymaganiami środowiska naturalnego oddawać do przedsiębiorstwa utylizacyjnego. Proszę zasięgnąć informacji o centrach recyklingowych i punktach zbiorczych u władz lokalnych lub u wyspecjalizowanego dostawcy.

 **Pol**  
**n<sub>0</sub>** Prędkość bez obciążenia

**V** Napięcie

 Prąd stały

 Europejski Certyfikat Zgodności

 Brytyjski Certyfikat Zgodności

 Ukraiński Certyfikat Zgodności

 Euroazjatycki Certyfikat Zgodności



MŰSZAKI ADATOK Mágneses magfűrőgép	M18 FMDP
Gyártási szám	4692 83 02... ... 000001-999999
Akkumulátor feszültség	18 V
Üresjárat fordulatszám	400 min <sup>-1</sup> 690 min <sup>-1</sup>
Lökethossz	146 mm
Max. mágneserő	8,89 kN
Orsófelfogó	19 mm Weldon
Fúrás-Ø max. központfurat fúróval	38 mm
Fúrás-Ø max. teljesfurat fúróval	13 mm
Súly a 01/2014 EPTA-eljárás szerint (Li-Ion 2,0 Ah ... 12,0 Ah)	13,9 ... 14,5 kg
Üzemeléshez ajánlott környezeti hőmérséklet	-18°C ... +50°C
Ajánlott akkusomagok	M18B..., M18HB...
Ajánlott töltőkészülékek	M12-18..., M1418 C6
<b>Zajinformáció</b> A közölt értékek megfelelnek az EN 62841 szabványnak. A készülék munkahelyi zajszintje tipikusan:	
Hangnyomás szint (K bizonytalanság=3dB(A))	82,4 dB(A)
Hangteljesítmény szint (K bizonytalanság=3dB(A))	93,4 dB(A)
<b>Hallásvédő eszköz használata ajánlott!</b>	
<b>Vibráció-információk</b> Összesített rezgésértékek (három irány vektoriális összegaz EN 62841-nek megfelelően meghatározva.)	
rezgésemisszió érték a <sub>p</sub> (Li-Ion 2,0 Ah)	1,69 m/s <sup>2</sup>
K bizonytalanság	1,5 m/s <sup>2</sup>



## FIGYELMEZTETÉS

A jelen utasításokban megadott rezgésszint értéke az EN 62841-ben szabályozott mérési eljárásnak megfelelően került lemérésre, és használható elektromos szerszámokkal történő összehasonlításhoz. Az érték alkalmas a rezgésterhelés előzetes megbecsülésére is.

A megadott rezgésszint-érték az elektromos szerszám legfőbb alkalmazásait reprezentálja. Ha az elektromos szerszámot azonban más alkalmazásokhoz, eltérő használt szerszámokkal vagy nem elegendő karbantartással használják, a rezgésszint értéke eltérő lehet. Ez jelentősen megnövelheti a rezgésterhelést a munkavégzés teljes időtartama alatt.

A rezgésterhelés pontos megbecsüléséhez azokat az időket is figyelembe kell venni, melyekben a készülék lekapcsolódik, vagy ugyan működik, azonban ténylegesen nincs használatban. Ez jelentősen csökkentheti a rezgésterhelést a munkavégzés teljes időtartama alatt.

Határozzon meg további biztonsági intézkedéseket a kezelő védelmére a rezgések hatása ellen, például: az elektromos és a használt szerszámok karbantartásával, a kezek melegen tartásával, a munkafolyamatok megszervezésével.

### FIGYELMEZTETÉS!

**Olvasson el minden, a géppel együtt megkapott biztonsági utalást, utasítást, ábrázolást és adatot.** A következőkben leírt előírások betartásának elmulasztása áramütésekhez, tüzhöz és/vagy súlyos testi sérülésekhez vezethet.

**Kérjük a későbbi használatra gondosan őrizze meg ezeket az előírásokat.**

### MÁGNESES MAGFÜRŐGÉP KÜLÖNLEGES BIZTONSÁGI TUDNIVALÓK

A készülék biztonságtechnikai felszereléseit feltétlenül használni kell. Használjon védőfelszerelést! Ha a gépen dolgozik, mindig hordjon védőszemüveget! Javasoljuk a védőruházat, úgymint porvédő maszk, védőcipő, erős és csúszásbiztos lábbeli, sisak és hallásvédő használatát.

A működő készülék munkaterületére nyúlni balesetveszélyes és tilos.

A munka közben keletkezett forgácsokat, szilánkokat, törmelékét, stb. csak a készülék teljes leállása után szabad a munkaterületről eltávolítani.

Ne használjon megrongálódott betétszerszámokat.

A munkadarabot megbízhatóan le kell rögzíteni. A sérülések elkerülése érdekében ne tartsa kézben a munkadarabot.

**FIGYELMEZTETÉS!** A nedves csatlakozók áramütés veszélyével járhatnak.

Ne használjon kenő/hűtő folyadékot felső helyzetben történő munkavégzéskor, illetve olyan esetben, ha a kenő/vágó folyadék a motor vagy a kapcsolószerkezet belsejébe kerülhet.

**FIGYELMEZTETÉS!** A rövidzárlat általi tűz, sérülések vagy termékkárosodások veszélye elkerülésére ne merítse a szerszámot, a cserélhető akkut vagy a töltőkészüléket folyadékokba, és gondoskodjon arról, hogy ne hatoljanak folyadékok a készülékekbe és az akkukba. A korrózió hatású vagy vezetőképes folyadékok, mint pl. a sós víz, bizonyos vegyi anyagok, fehérítő vagy fehérítő tartalmú termékek, rövidzárlatot okozhatnak.

Az akkumulátort, töltőt nem szabad megbontani és kizárólag száraz helyen szabad tárolni. Nedvességtől óvni kell.

A sérülés és károsodás elkerülése érdekében a szerszámot, a cserélhető akkumulátort és a töltőt soha ne merítse folyadékba, és ne engedje folyadék behatolását ezekbe.

Az M18 elnevezésű rendszerhez tartozó akkumulátorokat kizárólag a rendszerhez tartozó töltőtöltse fel. Ne használjon más rendszerbe tartozó töltőt.

### RENDELTESSZERŰ HASZNÁLAT

A fúróállvány acélban és más, vastartalmú fémekben nagy furatok kifúrásához használható.

### A HASZNÁLATRA VONATKOZÓ ÚTMUTATÁSOK

Az elektromágneses oszlopos fúrógép 6,35 mm-es vagy attól vasta-gabb, vastartalmú felületekhez rögzíthető. Ne használjon 6,35 mm-nél vékonyabb felületeket. A mágneses alaplap a nem vastartalmú rozsdamentes acélokhoz NEM TAPAD.

A fúróállvány alatti alapnak tisztának, szilárdnak, simának, száraznak, lyukaktól és laktól mentesnek kell lennie.

A fúróállványt nem szabad esőnek kitenni és nem szabad nedves, nyirkos vagy robbanásveszélyes helyiségben használni.

A nyomás az egész művelet során azonos mértékben kell tartani, hogy a vágóélek alá ne kerülhessenek forgácsok illetve vágási maradványok. A vágóélek alá került vágási hulladékok megnehezítik, illetve lehetetlenné teszik a vágást.

**FIGYELMEZTETÉS!**

Túl nagy erő alkalmazása a mágnes eleresztését okozza.

Ne érintse meg a vágóéleket. Időnként ellenőrizze a vágóéleket, hogy nem lazultak-e ki, illetve nem sérültek-e.

A vágófejek lehető leghosszabb élettartama kenő/hűtő folyadék alkalmazásával biztosítható.

Ferde és függőleges felületeken, valamint fej felett végzett munkáknál a mágneses fúróállványt a mellékelt hevederrel kell biztosítani.

A biztonsági hevedert úgy kell felhelyezni, hogy a fúróállvány a mágnes meghibásodása esetén a kezelőtől távolodó irányba mozduljon el.

A biztonsági hevedert minden használat előtt ellenőrizze sérülések és öregedés tekintetében. A hibás biztonsági hevedert ne használja!

A betétszerszám az alkalmazás során felforrósodhat.

**FIGYELMEZTETÉS!** Egési sérülések veszélye

- szerszámcserekor
- a készülék lerakásakor

A vágófejet csak akkor szerelje le, ha a vágási mag el lett távolítva. Eloffordulhat, hogy a vágási mag váratlanul kipattan a furatból.

### AUTO-STOP

Az AUTO STOP funkcióval a mágnesre gyakorolt túlzottan nagy, lökésszerű csavaró erő esetén a gép automatikusan kikapcsol. Határozza és szüntesse meg az automatikus leállás okát a biztonságos utasítások figyelembevételével.

Ennek a következők lehetnek az okai:

- A megmunkálandó anyag átszakadt
- Az elektromos szerszám túlterhelése túl nagy előtolás által
- A mágnes felülete nem tiszta

Kapcsolja ki a gépet, majd ismét kapcsolja be.

### ÚJRAINDULÁS ELLENI VÉDELEM

A bekapcsolt gép feszültségkimaradás után nem indul el ismét. A munka folytatásához a gépet ki, majd újra be kell kapcsolni.

### MOTOR/MÁGNES

A motor/mágnes kényszerkapcsolat megakadályozza, hogy a fúrógép motorja áramot kaphasson, ha a mágnes nincs bekapcsolva. A motor/mágnes kényszerkapcsolat ugyanakkor azt is megakadályozza, hogy a motor üzemelése közben a mágnesről lekapcsolódhasson a feszültség.

### CE-AZONOSSÁGI NYILATKOZAT

Kizárólagos felelősségünk alapján kijelentjük, hogy a „Műszaki adatok” fejezetben leírt termék megfelel a irányelvek összes vonatkozó rendelkezésének  
2011/65/EU (RoHS)  
2006/42/EK  
2014/30/EU  
harmonizált szabvány és a  
EN 62841-1:2015  
EN 55014-1:2017:A11 2020  
EN 55014-2:2015  
EN IEC 63000:2018



Winnenden, 2020-11-10

Alexander Krug / Managing Director  
Műszaki dokumentáció összeállításra felhatalmazva  
Techtronic Industries GmbH  
Max-Eyth-Straße 10, 71364 Winnenden, Germany

### AKKUK

A hosszabb ideig üzemben kívüli lévő akkumulátort használat előtt ismételen fel kell tölteni.

50°C feletti hőmérsékletnél csökkenhet az akkumulátor teljesítménye. Kerülni kell a túlzottan meleg helyen vagy napon történő hosszabb idejű tárolást.

A töltő és az akkumulátor csatlakozóit mindig tisztán kell tartani. Az optimális élettartam érdekében használat után az akkukat teljesen fel kell tölteni.

A lehetőleg hosszú élettartamhoz az akkukat feltöltés után ki kell venni a töltőkészülékből.

Az akku 30 napot meghaladó tárolása esetén: Az akkut kb. 27 °C-on, száraz helyen kell tárolni. Az akkut kb. 30-50%-os töltöttségi állapotban kell tárolni. Az akkut 6 havonta újra fel kell tölteni.

A használt akkumulátort ne dobja tűzbe vagy a háztartási szemétkébe. Tájékoztadjon a szakszerű megsemmisítés helyi lehetőségeiről.

Az akkumulátort ne tárolja együtt fém tárgyakkal. (Rövidzárlat veszélye).

Ügyeljen arra, hogy a töltő aknájába ne kerüljön semmilyen fém tárgy, mert ez rövidzárlatot okozhat.

Akkumulátor sav folyhat a sérült akkumulátorból extrém terhelés alatt, vagy extrém hő miatt. Ha az akkumulátor sav a bőrére kerül azonnal mossa meg szappanos vízzel. Szembe kerülés esetén folyóvíz alatt tartsa a szemét minimum 10 percig és azonnal forduljon orvoshoz.

## AZ AKKUMULÁTOR TÚLTERHELÉS ELLENI VÉDELME

Az akku nagyon nagy áramfelhasználása következtében fellépő túlterhelése esetén - pl. rendkívül magas forgatónyomatékok, a fűrő megszorulása, hirtelen leállás vagy rövidzárlat miatt – az elektromos szerszám 5 másodpercen keresztül vibrál, a töltéskijelző villog és az elektromos szerszám magától kikapcsol. Az újbóli bekapcsoláshoz engedje el a nyomókapcsolót, majd kapcsolja be ismét. Rendkívüli terheléseknél az akku túlságosan felmelegszik. Ebben az esetben a töltéskijelző minden lámpája addig villog, amíg az akku le nem hűl. Ha a töltéskijelző kialszik, utána tovább lehet dolgozni.

Az ismételt feltöltéshez és aktiváláshoz ekkor dugja az akkut a töltőkészülékbe.

## LÍTIUM-ION AKKUK SZÁLLÍTÁSA

A lítium-ion akkuk a veszélyes áruk szállítására vonatkozó törvényi rendelkezések hatálya alá tartoznak.

Az ilyen akkuk szállításának a helyi, országos és nemzetközi előírások és rendelkezések betartása mellett kell történnie.

A fogyasztók minden további nélkül szállíthatják az ilyen akkukat közúton.

A lítium-ion akkuk szállítmányozási vállalatok általi kereskedelmi célú szállítására a veszélyes áruk szállítására vonatkozó rendelkezések érvényesek. A kiszállítás előkészítését és a szállítást kizárólag megfelelő képzettségű személyek végezhetik. A teljes folyamatnak szakmai felügyelet alatt kell történnie.

A következő pontokat kell figyelembe venni akkuk szállításakor:

Biztosítsa, hogy a rövidzárlatok elkerülése érdekében az érintkezők védve és szigetelve legyenek.

Ügyeljen arra, hogy az akkucsomag ne tudjon elcsúszni a csomagoláson belül.

Tilos sérült vagy kifolyt akkukat szállítani.

További útmutatásokról forduljon szállítmányozási vállalatához.

## KARBANTARTÁS

Minden használat előtt ellenőrizze a készüléket, a csatlakozó kábeleket, hosszabbító kábeleket, a biztonsági hevedert és a dugó sérülések és öregedés tekintetében. A sérült alkatrészeket csak szakemberrel javíttassa meg.

A készülék szellőzőnyílásait mindig tisztán kell tartani.

A fogasrúd fogazatára időnként néhány csepp olajat kell cseppenteni. Az előtöltőtengelyen önkönöd csapágycsapatok vannak, így azokat nem szabad olajozni. A szán csúszófelületét molykote zsírral kell kenni.

A port és szennyeződések mindig el kell távolítani a készülékről. A fogantyút tisztán, szárazon, valamint olajtól és zsírtól mentesen kell tartani. A tisztító- és oldószeresek károsak a műanyagokra és más szigetelő részekre, ezért csak gyenge szappannal és nedves ruhával tisztítsa a készüléket. Soha ne használjon éghető oldószereket a készülék közelében.

Csak Milwaukee tartozékokat és Milwaukee pótkatrészeket szabad használni. Az olyan elemeket, melyek cseréje nincs ismertetve, cseréltesse ki Milwaukee szervizzel (lásd Garancia/Ügyfélszolgálat címei kiadványt).

Szükség esetén a készülékek robbantott ábráját - a készülék típusa és azonosító száma alapján a területileg illetékes Milwaukee márkaszerviztől vagy közvetlenül a gyártótól (Techtronic Industries GmbH, Max-Eyth-Straße 10, 71364 Winnenden, Germany) lehet kérni.

## SZIMBÓLUMOK



FIGYELEM! FIGYELMEZTETÉSI VESZÉLY!



Karbantartás, javítás, tisztítás, stb. előtt az akkumulátort ki kell venni a készülékből.



A fűrőállvány feji feletti használatakor mindig ketten végezzék a munkát. A hátsérülések elkerülése érdekében mindig két személy vigye az elektromos szerszámot.



Kérjük alaposan olvassa el a tájékoztatót mielőtt a gépet használja.



Munkavégzés közben ajánlatos védőszemüveget viselni.



Hallásvédő eszköz használata ajánlott!



Hordjon védőkesztyűt!



VESZÉLY! A sérülések elkerülése érdekében a kezeket, törőrongyokat, ruhadarabokat, stb. mindig távol kell tartani a mozgó alkatrészekről, illetve forgácsoló-boktól! A vágófej forgása közben tilos a forgácsokat eltávolítani! A forgácsok szélei élesek, és azok a hozzájuk érő tárgyakat a mozgó alkatrészek közé húzhatják!





Fém tárgyakat és órát viselni tilos.



Szívritmus-szabályozóval vagy más beültetett orvosi készülékkel ellátott személyek ezt a fűrőállványt nem használhatják.




 Hordozó mágneses vagy elektronikus média tilos.

 A gépet nem szabad esőnek kitenni.


 Magfűró


 Telibefűró


 Az elektromos eszközöket, elemeket/akkukat nem szabad a háztartási hulladékkal együtt ártalmatlanítani. Az elektromos eszközöket és akkukat szelektíven kell gyűjteni, és azokat környezetbarát ártalmatlanítás céljából hulladékhasznosító üzemben kell leadni. A helyi hatóságoknál vagy szakkereskedőjénél tájékozódjon a hulladékudvarokról és gyűjtőhelyekről.

**n<sub>0</sub>** Üresjárat fordulatszám

**V** Volt

 Egyenáram

 Európai megfelelőségi jelölés

 Egyesült királyságbeli megfelelőségi jelölés

 Ukrán megfelelőségi jelölés

 Eurázsiai megfelelőségi jelölés



TEHNIČNI PODATKI Magnetno jedro vrtni stroj	M18 FMDP
Proizvodna številka	4692 83 02... ... 000001-999999
Napetost izmenljivega akumulatorja	18 V
Število vrtljajev v prostem teku	400 min <sup>-1</sup> 690 min <sup>-1</sup>
Višina dviga	146 mm
Maksimalna jakost magneta	8,89 kN
Vreteno	19 mm Weldon
Vrtanje maksimalnega $\varnothing$ -premera s središčnim svedom	38 mm
Vrtanje maksimalnega $\varnothing$ -premera z navadnim svedom v polno	13 mm
Teža po EPTA-proceduri 01/2014 (Li-Ion 2,0 Ah ... 12,0 Ah)	13,9 ... 14,5 kg
Priporočena temperatura okolice za obratovanje	-18°C ... +50°C
Priporočeni kompleti akumulatorjev	M18B..., M18HB...
Priporočeni polnilniki	M12-18..., M1418 C6
<b>Informacije o hrupnosti</b>	
Vrednosti merjenja ugotovljene ustrezno z EN 62841. Raven hrupnosti naprave ovrednotena z A, znaša tipično:	
Nivo zvočnega tlaka (Nevarnost K=3dB(A))	82,4 dB(A)
Višina zvočnega tlaka (Nevarnost K=3dB(A))	93,4 dB(A)
<b>Nosite zaščito za sluh!</b>	
<b>Informacije o vibracijah</b>	
Skupna vibracijska vrednost (Vektorska vsota treh smerdoločena ustrezno EN 62841.	
Vibracijska vrednost emisij a <sub>w</sub> (Li-Ion 2,0 Ah)	1,69 m/s <sup>2</sup>
Nevarnost K=	1,5 m/s <sup>2</sup>



## OPOZORILO

V teh navodilih navedena raven tresljajev je bila izmerjena po EN 62841 normiranem merilnem postopku in lahko služi medsebojni primerjavi električnih orodij. Prav tako je primeren za predhodno oceno obremenitve s tresljaji.

Navedena raven tresljajev navaja najpomembnejše vrste rabe električnega orodja. Kadar se električno orodje uporablja za drugačne namene, z odstopajočimi orodji ali pa z nezadostnim vzdrževanjem, lahko raven tresljajev tudi odstopa. Le to lahko čez celoten delovni čas znatno zviša obremenitev s tresenjem.

Za natančno oceno obremenitve s tresljaji naj bi se upošteval tudi čas v katerem je naprava izklopljena ali sicer teče, vendar dejansko ni v rabi. Le to lahko obremenitev s tresljaji čez celoten delovni čas znatno zmanjša.

Za zaščito upravljalca pred učinkom tresljajev uvedite dodatne zaščitne ukrepe npr.: Vzdrževanje električnega orodja in orodja, delo s toplimi rokavi, organizacija delovnih potekov.

## OPOZORILO!

**Preberite vse varnostne napotke, navodila, prikaze in podatke, ki ste jih prejeli skupaj z napravo.** Napake zaradi neupoštevanja spodaj navedenih opozoril in napotil lahko povzročijo električni udar, požar in/ali težke telesne poškodbe.  
**Vsa opozorila in napotila shranite, ker jih boste v prihodnje še potrebovali.**

## MAGNETNO JEDRO VRTALNI STROJ SPECIALNI VARNOSTNI NAPOTKI

Brezpogojno uporabljajte zaščitne priprave stroja. Uporabite zaščitno opremo. Pri delu s strojem vedno nosite zaščitna očala. Priporočajo se zaščitka oblačila, kot npr. maska za zaščito proti prahu, zaščitne rokavice, trdno in nedrseče obuvalo, čelada in zaščita za sluh.

Ne segajte na področje nevarnosti tekočega stroja.

Trske ali iveri se pri tekočem stroju ne smejo odstranjevati.

Ne uporabljajte poškodovanih vsadnih orodij.

Obdelovance varni pritrdite ali vpnite. V izogib nevarnosti poškodb, naj se obdelovavec ne drži z roko.

### OPOZORILO!

Nad glavo in v siceršnjih položajih ne uporabljajte nobene rezalne tekočine, pri katerih bi le ta lahko zašla v motor ali v ohišje stikala.

**OPOZORILO!** V izogib, s kratkim stikom povzročene nevarnosti požara, poškodb ali okvar na proizvodu, orodja, izmenljivega akumulatorja ali polnilne naprave ne potaplajte v tekočine in poskrbite, da ne bo prihajalo do vdora tekočin v naprave in akumulatorje. Korozivne ali prevodne tekočine, kot so slana voda, določene kemikalije in belila ali proizvodi, ki le ta vsebujejo, lahko povzročijo kratek stik.

Izmenljivih akumulatorjev in polnilnih aparatov ne odpirajte in jih hranite samo v suhih prostorih. Zaščitite jih pred mokroto.

Za preprečevanje telesnih poškodb ali škode orodja, nadomestnega akumulatorja ali polnilnika nikoli ne potaplajte v tekočino ali dovolite, da tekočina vstopi vanje.

Izmenljive akumulatorje sistema M18 polnite samo s polnilnimi aparati sistema M18. Ne polnite nobenih akumulatorjev iz drugih sistemov.

#### UPORABA V SKLADU Z NAMEMBOSTJO

Stojalo vrtnalnika lahko uporabljamo pri vrtnanju večjih izvrtin v jeklo in v druge železe vsebujoče materiale.

#### PRACOVNE POKYNY

Elektromagnetni vrtni stroj s stojalom se magnetno oprijema na 6,35 mm ali debelejših železo vsebujočih materialih. Proimo ne uporabljajte na materialu, ki ima debelino manjšo od 6,35 mm. Magnetni podstavek NE DRŽI na nemagnetnih vrstah plemenitega jekla.

Podlaga izpod vrtnalnega stojala mora biti čista, čvrsta, gladka, suha in brez lukanj ter laka.

Stojalo vrtnalnika ne izpostavljamo dežju in ne ga vlažimo, ne uporabljamo ga v vlažnih ali eksplozivno nasičenih prostorih.

Med celotnim postopkom izvajamo enakomeren pritisk, da pod rezkalni rob ne padejo odrezki. Zaradi rezkalnega odpadka, ki zaide pod rezkar, lahko rezkalna dela pod določenimi pogoji postanejo težka ali povsem neizvedljiva.

#### OPOZORILO!

Pri prekomernem učinku sile se magnet sprosti.

Izogibajte se stiku s konicami rezkarja. Konic rezkarja od časa do časa pregledjte glede na sproščene ali poškodovane konice.

Za zagotovitev dolge obratovalne dobe teh rezkarjev se priporoča uporaba rezalne tekočine.

Pri delu na posebnih in navpičnih površinah in pri delu iznad glave, mora biti magnetno vrtno stojalo zavarovano z zraven dobavljenim pasom.

Varnostni pas mora biti nameščen tako, da se bo v primeru izpada magnetna, vrtno stojalo premikalo stran od upravljalca.

Varnostni pas pred vsako uporabo kontroliramo glede na poškodbe in staranje. Ne uporabljajte poškodovanega varnostnega pasu!

Orodje lahko med uporabo postane vroče.

#### OPOZORILO! Nevarnost opeklin

- pri menjavi orodja
- pri odlaganju naprave

Rezarakar odstranite šele tedaj, ko je vstavek izvzet. Nepričakovano lahko pride do njegovega izmeta.

#### AVTO-STOP

Z AVTO STOP se v primeru presežnega sunkovitega navora na magnet, stroj avtomatsko izklopi. Ugotavljanje in odprava vzroka avtomatske zaustavitve ob upoštevanju varnostnih navodil.

Možni vzroki so lahko:

- Preboj obdelovanega materiala
- Preobremenitev električnega orodja vsled presežnega podajanja
- Nečista površina magnetna

Stroj izklopiti in ponovno vklopiti

#### ZAŠČITA PRED PONOVNIM ZAGONOM

Vklapljen stroj se po izpadu napetosti več ne zažene. Za nadaljnje delo stroj izklopimo in ponovno vklopimo.

#### MOTOR/MAGNET-VARNOSTNA ZAPORA

Motor/Magnet-Varnostna zapora je varnostna funkcija, ki preprečuje oskrbo motorjs s tokom, kadar magnet ni v rabi. Ta zapora poskrbi tudi za to, da se magnet ne izklopi, medtem ko motor teče.

#### CE-IZJAVA O KONFORMNOSTI

S polno odgovornostjo izjavljamo, da izdelek, opisan pod „Tehnični podatki“ izpolnjuje vse ustrezne določbe direktiv 2011/65/EU (RoHS)

2006/42/ES

2014/30/EU

ter da so bili uporabljeni naslednji harmonizirani standardi

EN 62841-1:2015

EN 55014-1:2017:A11 2020

EN 55014-2:2015

EN IEC 63000:2018



Winnenden, 2020-11-10

Alexander Krug / Managing Director

Pooblaščen za izdelavo spisov tehnične dokumentacije.

Techtronic Industries GmbH

Max-Eyth-Straße 10, 71364 Winnenden, Germany

#### AKUMULATORJI

Izmenljive akumulatorje, ki jih daljši čas niste uporabljali, pred uporabo naknadno napolnite.

Temperatura nad 50°C zmanjšuje zmogljivost izmenljivega akumulatorja. Izogibajte se daljšemu segrevanju zaradi sončnih žarkov ali gretja.

Pazite, da ostanejo priključni kontakti na polnilnem aparatu in izmenljivem akumulatorju čisti.

za optimalno življenjsko dobo je potrebno akumulatorje po uporabi do konca napolniti.

Za čim daljšo življenjsko dobo naj se akumulatorji po napolnitvi vzamejo ven iz naprave za polnjenje.

Pri skladiščenju akumulatorjev dalj kot 30 dni: Akumulator skladiščiti pri 27°C in na suhem. Akumulator skladiščiti pri 30%-50% stanja polnjenja. Akumulator spet napolniti vsakih 6 mesecev.

Izrabljenih izmenljivih akumulatorjev ne mečite v ogenj ali v gospodinske odpadke. Milwaukee nudi okolju prijazno odlaganje starih izmenljivih akumulatorjev; prosimo povprašajte vašega strokovnega trgovca.

Izmenljivih akumulatorjev ne hranite skupaj s kovinskimi predmeti (nevarnost kratkega stika).

V odprtino za nameščanje izmenljivih akumulatorjev na polnilnih aparatih ne smejo zaiti nikakršni kovinski deli (nevarnost kratkega stika).

Pod ekstremno obremenitvijo ali ob ekstremni temperaturi iz poškodovanega izmenljivega akumulatorja lahko izteka akumulatorska tekočina. Po stiku z akumulatorsko tekočino prizadeto mesto takoj izperite z vodo in milom. Po stiku z očmi takoj najmanj 10 minut dolgo temeljito izpirajte in nemudoma obiščite zdravnika.

## ZAŠČITA PREOBREMENITVE AKUMULATORJA

V primeru preobremenitve akumulatorja zaradi visoke porabe toka, npr. ekstremno visokih vrtilnih momentov, nenadne zaustavitve ali kratkega stika, električno orodje 5 sekund vibrira, prikazovalnik polnjenja utripa, električno orodje pa se samodejno izklopi. Za ponoven vklop izpustite pritisno stikalo in nato znova vklopite. Pod ekstremnimi obremenitvami se akumulator premočno segreva. V tem primeru utripajo vse lučke prikazovalnika polnjenja dokler se akumulator ne ohladi. Za tem, ko prikazovalnik polnjenja ugasne lahko z delom nadaljujemo.

Za ponovno polnitev in aktiviranje akumulatorja ga je potrebno vstaviti v polnilec.

## TRANSPORT LITIJ-IONSkih AKUMULATORJEV

Litij-ionski akumulatorji so podvrženi zakonskim določbam transporta nevarnih snovi.

Transport teh akumulatorjev se mora izvajati upoštevajoč lokalne, nacionalne in mednarodne predpise in določbe.

Potrošniki lahko te akumulatorje še nadalje transportirajo po cesti.

Komercialni transport litij-ionskih akumulatorjev s strani špediterskih podjetij je podvržen določbam transporta nevarnih snovi. Priprava odpreme in transporta se lahko vrši izključno s strani ustrezno izšolanih oseb. Celoten proces je potrebno strokovno spremljati.

Pri transportu akumulatorjev je potrebno upoštevati sledeče točke:

V izogib kratkim stikom zagotovite, da bodo kontakti zaščiteni in izolirani.

Bodite pozorni na to, da paket akumulatorja v notranjosti embalaže ne bo mogel zdrsniti.

Poškodovanih ali iztekajočih akumulatorjev ni dovoljeno transportirati.

Za nadaljnja navodila se obrnite na vaše špeditersko podjetje.

## VZDRŽEVANJE

Pred vsako uporabo napravo, priključni kabel, podaljšek, varnostni pas in vtičnik kontroliramo glede na poškodbe in staranje. Poškodovane dele damo v popravilo zgolj strokovnjaku.

Pazite na to, da so prezaščevalne reže stroja vedno čiste.

Na ozobljenje zobatega letve od časa do časa nakapljamo malo olja.

Ležaji podajalnega valja so samomazalni in jih ni dovoljeno oljiti.

Dršno površina sani mažemo z Molykote mastjo.

Prah in nečistoče vsakokrat odstranite iz naprave. Ročaj vzdržujte čist, suh in olja ali masti prost. Čistilna sredstva in razredčila so škodljiva za umetne mase in ostale izolirajoče dele, zaradi tega napravo čistite zgolj z blagim milom invlažno krpo. V bližini naprave nikdar ne uporabljajte gorljivih razredčil.

Uporabljajte samo Milwaukee pribor in Milwaukee nadomestne dele. Poskrbite, da sestavne dele, katerih zamenjava ni opisana, zamenjajo v Milwaukee servisni službi (upoštevajte brošuro Garancija aslovi servisnih služb).

Po potrebi se lahko pri vaši servisni službi ali direktno pri Techtronic Industries GmbH naroči eksplozijska risba naprave ob navedbi tipa stroja in številke s tipske ploščice Techtronic Industries GmbH, Max-Eyth-Straße 10, 71364 Winnenden, Germany.

## SIMBOLI



POZORI! OPOZORILO! NEVARNO!



Pred vsemi deli na stroji odstranite izmenljivi akumulator.



Pri uporabi vrtnega stojala nad glavo, delajte zmeraj v dvoje. V izogib poškodbam hrbta nosite električno orodje zmeraj v paru.



Prosimo, da pred uporabo pozorno preberete to navodilo za uporabo.



Pri delu s strojem vedno nosite zaščitna očala.



Nosite zaščito za sluh!



Nositi zaščitne rokavice



**NEVARNO!** V izogib nevarnosti poškodb, naj bodo roke, krpe, oblačila itn. na varni razdalji od premičnih delov in odrezkov. Odrezka v nobenem primeru ne odstranjujte medtem, ko se rezkar še vrti. Odrezki imajo otre robove in lahko predmete potegnejo med premične dele.



Nošnja kovinskih delov in ur je prepovedana.



Osebe z vspejbujevalnikom srca ali drugimi medicinskimi implantati, tega vrtnega stojala ne smejo uporabljati.



Nošnja magnetnih ali elektronskih nosilcev podatkov je prepovedana.



Stroja ne izpostavljajte dežju.



svedri za jedrne izvrtine



Spiralni sveder



Električnih naprav, baterij/akumulatorjev ni dovoljeno odstranjevati skupaj z gospodinjskimi odpadki. Električne naprave in akumulatorje je potrebno zbirati ločeno in za okolju prijazno odstranitev, oddati podjetju za reciklažo. Pri krajevnem uradu ali vašem strokovnem prodajalcu se pozanimajte glede reciklažnih dvorišč in zbirnih mest.

**n<sub>0</sub>**

Število vrtljajev v prostem toku

**V**

Napetost



Enosmerni tok



Evropska oznaka za združljivost



Britanska oznaka za združljivost



Ukrajinska oznaka za združljivost

001



Evrazijska oznaka za združljivost



Slo

TEHNIČKI PODACI Magnetska jezgra bušilica	M18 FMDP
Broj proizvodnje	4692 83 02... ... 000001-999999
Napon baterije za zamjenu	18 V
Broj okretaja praznog hoda	400 min <sup>-1</sup> 690 min <sup>-1</sup>
Visina hoda	146 mm
Maksimalna snaga magneta	8,89 kN
Prijem vratila	19 mm Weldon
Ø-bušenja maksimalno sa svrdlom za navojne otvore	38 mm
Ø-bušenja maksimalno sa punim svrdlom	13 mm
Težina po EPTA-proceduri 01/2014 (Li-Ion 2,0 Ah ... 12,0 Ah)	13,9 ... 14,5 kg
Preporučena temperatura okoline za pogon	-18°C ... +50°C
Preporučeni akumulatorski paket	M18B..., M18HB...
Preporučeni punjači	M12-18..., M1418 C6
<b>Informacije o buci</b>	
Mjerne vrijednosti utvrđene odgovarajuće EN 62841. A-ocijenjeni nivo buke aparata iznosi tipično:	
Nivo pritiska zvuka (Nesigurnost K=3dB(A))	82,4 dB(A)
Nivo učinka zvuka (Nesigurnost K=3dB(A))	93,4 dB(A)
<b>Nositi zaštitu sluha!</b>	
<b>Informacije o vibracijama</b>	
Ukupne vrijednosti vibracije (Vektor suma tri smjerna odmjerene odgovarajuće EN 62841)	
Vrijednost emisije vibracije a <sub>b</sub> (Li-Ion 2,0 Ah)	1,69 m/s <sup>2</sup>
Nesigurnost K=	1,5 m/s <sup>2</sup>

#### UPOZORENIE

Ova u ovim uputama navedena razina titranja je bila izmjerena odgovarajuće jednom u EN 62841 normiranom mjernom postupku i može se upotrijebiti za usporedbu električnog alata međusobno. Ona je prikladna i za privremenu procjenu titrajnog opterećenja.

Navedena razina titranja reprezentira glavne primjene električnog alata. Ukoliko se električni alat upotrebljava u druge svrhe sa odstupajućim primijenjenim alatima ili nedovoljnim održavanjem, onda razina titranja može odstupati. To može titrajno opterećenje kroz cijeli period rada bitno povisiti.

Za točnu procjenu titrajnog opterećenja se moraju uzeti u obzir i vremena u kojima je uređaj isključen ili u kojima doduše radi, ali nije i stvarno u upotrebi. To može titrajno opterećenje bitno smanjiti za vrijeme cijelog radnog perioda.

Utvrdite dodatne sigurnosne mjere za zaštitu poslužioca protiv djelovanja titranja kao npr.: Održavanje električnih alata i upotrebljenih alata, održavanje topline ruku, organizacija i radne postupke.



#### UPOZORENIE!

**Pročitajte sve sigurnosne upute, napomene, prikaze i podatke koje dobijete uz uređaj.** Ako se ne bi poštivale napomene o sigurnosti i upute to bi moglo uzrokovati strujni udar, požar i/ili teške ozljede.

**Sačuvajte sve napomene o sigurnosti i upute za buduću primjenu.**



#### MAGNETSKA JEZGRA BUŠILICA SPECIJALNE SIGURNOSNE UPUTE

Bezuvjetno upotrijebiti zaštitnu napravu stroja. Upotrebljavati zaštitnu opremu. Kod radova sa strojem uvijek nositi zaštitne naočale. Preporučuje se zaštitna odjeća, kao zaštitna maska protiv prašine, zaštitne rukavice, čvrste i protiv klizanja sigurne cipele, šljem i zaštitu sluha.

Ne sezati u područje opasnosti radećeg stroja.

Piljevina ili iverje se za vrijeme rada stroja ne smiju odstranjivati.

Ne koristite oštećene radne alate.

Radne predmete sigurno pričvrstite ili čvrsto zategnuti. Zbog sprječavanja opasnosti od povreda radni komad ne držati rukom. UPOZORENIE!

Tekućinu za rezanje ne primijenjivati nadvršno ili na drugim pozicijama na kojima tekućina za rezanje može prodrijeti u motor ili u kućište sklopke.

UPOZORENIE! Zbog izbjegavanja opasnosti od požara jednim kratkim spojem, opasnosti od ozljeda ili oštećenja proizvoda, alat, izmjenjivi akumulator ili napravu za punjenje ne uronjavati u tekućine i pobrinite se za to, da u uređaje ili akumulator ne prodire nikakve tekućine. Korozirajuće ili vodljive tekućine kao slana voda, određene kemikalije i sredstva za bijeljenje ili proizvodi koji sadrže sredstva bijeljenja, mogu prouzročiti kratak spoj.

Baterije za zamjenu i uređaje za punjenje ne otvarati i čuvati ih samo u suhim prostorijama. Čuvati protiv vlage.

Kako biste izbjegli ozljede, nikada ne uranjajte alatku, zamjensku bateriju ili punjač u tekućinu odnosno na dozvolite da tekućina dospije u njih.

Baterije sistema M18 puniti samo sa uređajem za punjenje sistema M18. Ne puniti baterije iz drugih sistema.

## PROPIISNA UPOTREBA

Postolje za bušenje se može upotrijebiti za bušenje velikih bušotina u čeliku ili u drugim metalima koje sadrže željezo.

## RADNE UPUTE

Elektromagnetska statorska bušilica prijanja magnetski na 6,35 mm ili na debljem materijalu koji sadrži željezo. Molimo ne primjenjivati na materijalu koji pokazuje manje od 6,35 mm. Magnetski podnožak NE DRŽI na nemagnetskim vrstama plemenitog čelika.

Podloga ispod stalka bušilice mora biti čist, čvrst. Ravan, suh i bez rupa i laka.

Postolje za bušenje ne izlagati kiši i ne močiti ga, vlažiti ili upotrebljavati ga u prostorijama ugroženim od eksplozije.

Za vrijeme cijelog postupka vršiti uvijek isti pritisak, kako piljevina ili strugotine bušenja ne bi padale ispod bridova glodanja. Otpatke glodanja koji dospiju ispod glodalice mogu po mogućnosti glodačke radove otežati ili uopće ne izvoditi.

### UPOZORENIE!

Kod prekomjernog djelovanja sile, magnet se olabavi.

Kontakt s vrhovima glodalice izbjeci. Vrh glodalice s vremena na vrijeme pregledati u svezi labavosti ili oštećenja vrhova.

Za jamčenje dužeg pogonskog vremena ovih glodala se preporučuje korištenje tekućine za rezanje.

Kod radova na kosim i okomitim površinama i iznad glave mora magnetski stalak bušilice biti osiguran sa isporučeni remenom. Sigurnosni remen mora biti postavljen tako, da se stalak bušilice kod ispada magneta ne kreće prema poslužiocu.

Sigurnosni remen prije svake uporabe kontrolirati u svezi oštećenja i starenja. Defektni sigurnosni remen ne koristiti!

Upotrebljeni alat se može za vrijeme korištenja zagrijati.

### UPOZORENIE! Opasnost od opekotina

- kod promjene alata
- kod odlaganja uređaja

Glodalod odstraniti tek kada se izvadio pripremak. Pripremak može neočekivano biti izbačen.

## AUTO-STOP

Sa AUTO STOP-om se stroj kod prevelikog povišenja povratne okretne sile na magnetu automatski isključuje. Istražite i otklonite uzrok automatskog zaustavljanja uz poštivanje sigurnosnih uputa.

Mogući uzroci za to mogu biti:

- Proboj materijala koji se obrađuje
- Preopterećenje električnog alata kroz preveliko pomicanje
- Nečista magnetska površina

Stroj isključiti i ponovno uključiti

## ZAŠTITA PROTIV PONOVOG POKRETANJA

Uključeni stroj poslije ispada napona više ne starta ponovno. Da bi se radilo dalje, stroj isključiti i ponovno uključiti.

## MOTOR/MAGNET-SIGURNOSNO BLOKIRANJE

Motor/Magnet-blokada je jedna sigurnosna karakteristika koje sprječava da se motor bušilice opskrbljuje strujom, ako magnet nije aktiviran. Blokada se brine za to da se magnet ne isključi za vrijeme dok motor radi.

## CE-IZJAVA KONFORMNOSTI

Izjavljujemo pod vlastitom odgovornošću da proizvod opisan u odjeljku „Tehnički podaci“ ispunjava sve potrebne odredbe smjernica 2011/65/EU (RoHS)

2006/42/EC

2014/30/EU

i da su korišteni sljedeći usklađeni standardi

EN 62841-1:2015

EN 55014-1:2017:A11 2020

EN 55014-2:2015

EN IEC 63000:2018



Winnenden, 2020-11-10

Alexander Krug / Managing Director

Ovlašten za formiranje tehničke dokumentacije.

Techtronic Industries GmbH

Max-Eyth-Straße 10, 71364 Winnenden, Germany

## BATERIJE

Baterije koje duže vremena nisu korištene, prije upotrebe napuniti.

Temperatura od preko 50°C smanjuje učinak baterija. Duže zagrijavanje od strane sunca ili grijanja izbjeci.

Priključne kontakte na uređaju za punjenje i baterijama držati čistima.

Za optimalni vijek trajanja se akumulatori poslije upotrebe moraju sasvim napuniti.

Za što moguće duži vijek trajanja, akumulatori se nakon punjenja moraju odstraniti iz punjača.

Kod skladištenja akumulatora duže od 30 dana: Akumulator skladištiti na suhom kod ca. 27°C. Akumulator skladištiti kod ca. 30%-50% stanja punjenja. Akumulator ponovno napuniti svakih 6 mjeseci.

Istrošene baterije za zamjenu ne bacati u vatru ili u kućno smeće. Milwaukee nudi mogućnost uklanjanja starih baterija odgovarajuće okolini. Milwaukee nudi mogućnost uklanjanja starih baterija odgovarajuće okolini; upitajte molimo Vašeg stručnog trgovca.

Baterije za zamjenu ne čuvati skupa sa metalnim predmetima (opasnost od kratkog spoja).

U prostor za punjenje baterija u uređaju za punjenje ne smiju dospijeti metalni dijelovi (opasnost od kratkog spoja).

Pod ekstremnim opterećenjem ili ekstremne temperature može iz oštećenih baterija iscuriti baterijska tekućina. Kod dodira sa baterijskom tekućinom odmah isprati sa vodom i sapunom. Kod kontakta sa očima odmah najmanje 10 minuta temeljno ispirati i odmah potražiti liječnika.

## ZAŠTITA OD PREOPTEREĆENJA AKUMULATORA

Kod preopterećenja akumulatora kroz vrlo visoku potrošnju struje, npr. ekstremno visoki zakretni momenti, električni alat vibrira za vrijeme od 5 sekundi, pokazivač punjenja treperi i električni alat se samostalno isključuje. Za ponovno uključivanje ispustiti okidač sklopke i zatim ponovno uključiti. Pod ekstremnim opterećenjima se akumulator prejako zagrije. U tome slučaju trepere sve lampice pokazivača punjenja, sve dok se akumulator ne ohladi. Poslije gašenja pokazivača punjenja se može nastaviti sa radom.



Hrv

Akumulator zatim utaknuti u punjač kako bi se ovaj ponovno napunio i zatim aktivirao.

## TRANSPORT LITIJSKIH IONSKIH BATERIJA

Litijske-ionske baterije spadaju pod zakonske odredbe u svezi transporta opasne robe.

Prijevoz ovih baterija mora uslijediti uz poštivanje lokalnih, nacionalnih i internacionalnih propisa i odredaba.

Korisnici mogu bez ustručavanja ove baterije transportirati po cestama.

Komercijalni transport litijsko-ionskih baterija od strane transportnih poduzeća spada pod odredbe o transportu opasne robe. Otpremničke pripreme i transport smiju izvoditi isključivo odgovarajuće školovane osobe. Kompletni proces se mora pratiti na stručan način.

Kod transporta baterija se moraju poštivati slijedeće točke:

Uvjerite se da su kontakti zaštićeni i izolirani kako bi se izbjegli kratki spojevi.

Pazite na to, da blok baterija unutar pakiranja ne može proklizavati.

Oštećene ili iscurjele baterije se ne smiju transportirati.

U svezi ostalih uputa obratite se vašem prijevoznom poduzeću.

## ODRŽAVANJE

Prije svake uporabe uređaj, priključni kabel, produžni kabel i utikač kontrolirati u svezi oštećenja i starenja. Oštećene dijelove dati popraviti jednom stručnjaku.

Proreze za prozračivanje stroja uvijek držati čistima.

Na ozubljenje ozupčane šipke sa vremena na vrijeme staviti par kapi ulja. Ležajji vratila smicanja su samopodmazivački i ne smiju se mazati uljem. Klizne površine saonica podmazivati sa Molykote mašću.

Prašinu i prljavštinu uvijek odstraniti s uređaja. Ručku držati čistom, suhom i bez ulja ili masnoća. Sredstva za čišćenje i otapala su štetna za plastiku i druge izolirajuće dijelove, stoga uređaj čistiti samo blagim sapunom i jednom vlažnom krpom. Nemojte nikada upotrebljavati goriva otapala u blizini uređaja.

Primijeniti samo Milwaukee opremu i Milwaukee rezervne dijelove. Sastavne dijelove, čija zamjena nije opisana, dati zamijeniti kod jedne od Milwaukee servisnih službi (poštivati brošuru Garancija/ Adrese servisa).

Po potrebi se može zatražiti crtež eksplozije aparata uz davanje podataka o tipu stroja i desetoznamenastog broja na pločici snage kod Vaše servisne službe ili direktno kod Techtronic Industries GmbH, Max-Eyth-Straße 10, 71364 Winnenden, Germany.

## SIMBOLI



PAŽNJA! UPOZORENIE! OPASNOST!



Prije svih radova na stroju izvaditi bateriju za zamjenu.



Kod uporabe stalka bušilice iznad glave radite uvijek udvoje. Električni alat nositi uvijek udvoje da bi se izbjegle povrede leđa.



Molimo da pažljivo pročitate uputu o upotrebi prije puštanja u rad.



Kod radova na stroju uvijek nositi zaštitne naočale.



Nositi zaštitu sluha!



Nositi zaštitne rukavice!



**OPASNOST!** Zbog izbjegavanja opasnosti od povreda, ruke, krpe, odjeću itd. uvijek držati na sigurnom razmaku od pokretnih dijelova i piljevine. Piljevinu ni u kome slučaju ne odstranjivati za vrijeme dok se glodalo vrti. Piljevine imaju oštre bridove i mogu predmete povlačiti u pokretne dijelove.



Nošenje metalnih dijelova i satova je zabranjeno.



Osobe sa stimulatorom srčanog ritma ili drugima medicinskim implantatima ovaj stalak bušilice ne smiju koristiti.



Nošenje sa sobom magnetskih ili elektronski nosioca podataka je zabranjeno.



Stroj ne izlagati kiši.



Svrdo za navodne otvore



Puno svrdlo



Elektrouređaji, baterije/akumulatori se ne smiju zbrinjivati skupa sa kućnim smećem. Električni uređajii akumulatori se moraju skupljati odvojeno i predati na zbrinjavanje primjereno okolišu jednom od pogona za iskorišćavanje. Raspitajte se kod mjesnih vlasti ili kod stručnog trgovca u svezi gospodarstva za recikliranje i mjesta skupljanja.

**n<sub>0</sub>**

Broj okretaja praznog hoda

**V**

Napon



Istosmjerna struja



Europski znak suglasnosti



Britanski znak suglasnosti



Ukrajinski znak suglasnosti

001



Euroazijski znak suglasnosti

TEHNISKIE DATI Urbjmašīna ar magnētisko uzgali	M18 FMDP
Izlaides numurs	4692 83 02... ... 000001-999999
Akumulātorā spriegums	18 V
Tukšgaitas apgriezienu skaits	400 min <sup>-1</sup> 690 min <sup>-1</sup>
Gājiena augstums	146 mm
Maks. magnēta spēks	8,89 kN
Varpstas urbja ievietošanas ligzda	19 mm Weldon
Urbja maks. ø urbnot ar gredzena urbi	38 mm
Urbja maks. ø urbnot ar parasto urbi	13 mm
Svars atbilstoši EPTA -Procedure 01/2014 (Li-Ion 2,0 Ah ... 12,0 Ah)	13,9 ... 14,5 kg
Darbībai ieteicamā apkārtnes temperatūra	-18°C ... +50°C
Ieteicamie akumulatoru komplekti	M18B..., M18HB...
Ieteicamās uzlādes ierīces	M12-18..., M1418 C6
<b>Trokšņu informācija</b>	
Vērtības, kas noteiktas saskaņā ar EN 62841. A novērtētās aparatūras skaņas līmenis ir:	
Trokšņa spiediena līmenis (Nedrošība K=3dB(A))	82,4 dB(A)
Trokšņa jaudas līmenis (Nedrošība K=3dB(A))	93,4 dB(A)
<b>Nēsāt trokšņa slāpētāju!</b>	
<b>Vibrāciju informācija</b>	
Svārstību kopējā vērtība (Trīs virzienu vektoru summtiek noteikta atbilstoši EN 62841.	
svārstību emisijas vērtība a <sub>h</sub> (Li-Ion 2,0 Ah)	1,69 m/s <sup>2</sup>
Nedrošība K=	1,5 m/s <sup>2</sup>



## UZMANĪBU

Instrukcijā norādītā svārstību robežvērtība ir izmērīta mērījumu procesā, kas veikts atbilstoši standartam EN 62841, un to var izmantot elektroinstrumentu savstarpējai salīdzināšanai. Tā ir piemērota arī svārstību noslogojuma pagaidu izvērtēšanai.

Norādītā svārstību robežvērtība ir reprezentatīva elektroinstrumenta pamata pielietojuma jomām. Tomēr, ja elektroinstrumenti tiek pielietoti citās jomās, papildus izmantojot neatbilstošus elektroinstrumentus vai pēc nepietiekamas tehniskās apkopes, tad svārstību robežvērtība var atšķirties. Tas var ievērojami palielināt svārstību noslogojumu visa darba laikā.

Precīzai svārstību noslogojuma noteikšanai, ir jāņem vērā arī laiks, kad ierīces ir izslēgta vai arī ir ieslēgta, tomēr faktiski netiek lietota. Tas var ievērojami samazināt svārstību noslogojumu visa darba laikā.

Integrējiet papildus drošības pasākumus pret svārstību ietekmi lietotājam, piemēram: elektroinstrumentu un darba instrumentu tehniskā apkope, roku siltuma uzturēšana, darba procesu organizācija.



### UZMANĪBU!

**Izlasiet visus drošības norādījumus, instrukcijas, attēlus un datus, ko saņemat kopā ar ierīci.** Šeit sniegto drošības noteikumu un norādījumu neievērošana var izraisīt aizdegšanos un būt par cēloni elektriskajam triecienam vai nopietnam savainojumam.

**Pēc izlasīšanas uzglabājiet šos noteikumus turpmākai izmantošanai.**



### URBJMAŠĪNA AR MAGNĒTISKO UZGALI SPECIĀLIE DROŠĪBAS NOTEIKUMI

Noteikti vajag izmantot mašīnai paredzēto aizsargapriekojumu. Jāizmanto aizsargapriekojums. Strādājot ar mašīnu, vienmēr jānēsā aizsargbrilles. Ieteicams nēsāt aizsargapģērbu, kā piemēram, aizsargmasku, aizsargcimdus, kurpes no stingra un neslīdīga materiāla, ķiveri un ausu aizsargus.

Nelikt rokas mašīnas darbības laukā.

Skaidas un atlūzas nedrīkst pemt ārā, kamēr mašina darbojas.

Neizmantojiet bojātus darbinstrumentus.

Apstrādājamās detaļas vajag cieši nostiprināt vai nostiprināt ar spīlēm. Lai izvairītos no savainošanas, apstrādājamo materiālu nevajadzētu turēt rokās.

#### UZMANĪBU!

Neizmanto griešanas šķidrumu, ja tiek izmantota darba pozīcija virs galvas vai kāda cita pozīcija, izmantojot kuru griešanas šķidrums varētu iekļūt motorā vai slēdzē korpusā.

UZMANĪBU! Lai novērstu īssavienojuma izraisītu aizdegšanās, savainojumu vai produkta bojājuma risku, neiegremdējiet instrumentu, maināmo akumulatoru vai uzlādes ierīci šķidrumos un rūpējieties par to, lai ierīcēs un akumulatoros neieklūtu šķidrums. Koroziju izraisoši vai vadītspējīgi šķidrumi, piemēram, sālsūdens, noteiktas ķīmikālijas, balinātāji vai produkti, kas satur balinātājus, var izraisīt īssavienojumu.

Akumulatorus un lādētājus nedrīkst taisīt valā un tie jāuzglabā sausās telpās.

Lai izvairītos no savainojumiem un bojājumiem, instrumentu, akumulatoru vai lādētāju nekad nemērciet ūdenī un neļaujiet tajos iekļūt mitrumam.

M18 sistēmas akumulatorus lādēt tikai ar M18 sistēmas lādētājiem. Nedrīkst lādēt citus akumulatorus no citām sistēmām.

#### NOTEIKUMIEM ATBILSTOŠS IZMANTOJUMS

Urbja statni var lietot lielu urbumu veidošanai teraudos un citos dzelzi saturošos materiālos.

#### DARBA NORĀDĪJUMI

Elektromagnētiskā stacionārā urbja mašīna magnētiski piestiprinās pie vismaz 6,35 mm bieza dzelzi saturoša materiāla. Neizmantojiet uz materiāliem, kas ir plānāki par 6,35 mm. Magnētiskā līgзда NETURAS pie nemagnētiskiem nerūsējošā tērauda veidiem.

Pamatnei zem urbja mašīnas statīva jābūt tīrai, stabilai, līdzenai, sausai un bez caurumiem un krāsas/lakas kārtas.

Urbja statni nedrīkst pievienot kad list lietus un nedrīkst lietot mitras, slapjas vai eksplozijas bīstamas telpas.

Visas procedūras laikā izdarīt vienmērīgu spiedienu, lai zem frēzēšanas malām nepakļūtu skaidas vai urbsanas pārpalikumi. Zem frēzes pakļuvušie urbsanas pārpalikumi frēzēšanas darbus noteiktos apstākļos var padarīt ļoti sarežģītus vai pat neiespējamus.

#### UZMANĪBU!

Pielietojot pārāk lielu spēku, magnēta atlaižas.

Izvairīties no saskares ar griešanas virsmas galiem. Ik pa laikam pārbaudīt vai griešanas galvā nav vaļīgi vai bojāti asmeņi.

Lai nodrošinātu šo griešanas instrumentu ilgmūžību, iesakām izmantot griešanas šķidrums.

Veicot darbus uz slīpām un vertikālām virsmām, kā arī virs galvas, magnētiskais urbja mašīnas statīvs jānodrošina ar komplektā iekļautajām siksnām.

Drošības siksnas jāuzstāda tā, lai magnēta atteices gadījumā urbja mašīnas statīvs kustas prom no operatora.

Pirms katras izmantošanas reizes pārbaudīt, vai siksnām nav radušies bojājumi un vai tās nav nolietotājušas. Bojātas drošības siksnas izmantot aizliegts!

Izmantojamais darba rīks darba gaitā var stipri sakarst.

#### UZMANĪBU! Bīstamība apdedzināties

- veicot darba rīka nomaīņu
- noliekot iekārtu

Noņemt frēzi tikai tad, kad ir izņemta sagatave. Sagatave var negaidīti izkrist.

#### AUTOMĀTISKĀ APSTĀŠANĀS

Ar funkciju AUTO STOP iekārta tiek automātiski izslēgta, ja tiek pārsniegts pieļaujamais nevienmērīgas griezes moments uz magnētu. Noskaidrojiet un novērsiet automātiskās apstāšanās iemeslu, ievērojot drošības norādes.

Automātiskās apstāšanās iespējamie iemesli:

- Apstrādājamā materiāla caururbšana
- Elektroinstrumenta pārslodze, izdarot uz to pārāk lielu spiedienu
- Netīra magnēta virsma

Izslēdziet un atkal ieslēdziet iekārtu

#### AIZSARDZĪBA PRET ATKĀRTOTU PALAIŠĀNU

Ja pazūd strāva, iekārta pēc tās atgriešanās vairs neieslēdzas. Izslēdziet un atkal ieslēdziet iekārtu.

#### MOTORA/MAGNĒTA DROŠĪBAS BLOKĒTĀJS

Motora/magnēta drošības bloķētājs ir drošības aprīkojums, kas nodrošina to, ka urbja mašīnas motoram netiek padota elektrība, ja netiek darbināts magnēts. Šis bloķētājs nodrošina arī to, lai magnēts netiktu atslēgts laikā, kamēr darbojas motors.

#### ATBILSTĪBA CE NORMATĀM

Mēs ar pilnu atbildību paziņojam, ka izstrādājums, kas raksturots sadaļā „Tehniskie dati”, atbilst visām attiecīgajām prasībām direktīvās

2011/65/ES (RoHS)

2006/42/ES

2014/30/ES

un ir piemēroti šādi saskaņotie standarti

EN 62841-1:2015

EN 55014-1:2017:A11 2020

EN 55014-2:2015

EN IEC 63000:2018



Winnenden, 2020-11-10

Alexander Krug / Managing Director

Pilnvarotais tehniskās dokumentācijas sastādīšanā.

Techtronic Industries GmbH

Max-Eyth-Straße 10, 71364 Winnenden, Germany

#### AKUMULĀTORI

Akumulātori, kas ilgāku laiku nav izmantoti, pirms lietošanas jāuzlādē.

Pie temperatūras, kas pārsniedz 50°C, akumulatoru darbība tiek negatīvi ietekmēta. Vajag izvairīties no ilgākas saules un karstuma iedarbības.

Lādētāja un akumulatoru pievienojuma kontakti jāuztur tīri.

Lai baterijas darba ilgums būtu optimāls, pēc iekārtas izmantošanas tā jāuzlādē.

Lai akumulatori kalpotu pēc iespējas ilgāku laiku, tos pēc uzlādes ieteicams atvienot no lādētājierīces.

Akumulatora uzglabāšana ilgāk kā 30 dienas: uzglabāt akumulatoru pie aptuveni 27°C un sausā vietā. Uzglabāt akumulatoru uzlādes stāvoklī aptuveni pie 30%-50%. Uzlādēt akumulatoru visus 6 mēnešus no jauna.

Izmantotos akumulatorus nedrīkst mest ugunī vai parastajos atkritumos. Firma Milwaukee piedāvā iespēju vecos akumulatorus savākt apkārtejo vidi saudzējošā veidā; jautājiet specializētā veikalā.

Akumulatorus nav ieteicams glabāt kopā ar metāla priekšmetiem (iespējams isslēgums).

Jāuzmanās, lai akumulatoru lādētājā nenokļūtu nekādi metāla priekšmeti (iespējams isslēgums).

Pie ārkārtas slodzes un ārkārtas temperatūrām no bojātā akumulatora var iztect akumulatora šķidrums. Ja nonākat saskarsmē ar akumulatora šķidrums, saskarsmes vieta nekavējoties jānomazgā ar ūdeni un ziepēm. Ja šķidrums nonācis acīs, acis vismaz 10 min. skalot un nekavējoties konsultēties ar ārstu.



Lat

## AKUMULATORA AIZSARDŽĪBA PRET PĀRSLOGOJUMU

Akumulatoru pārslogojuma gadījumos, esot ļoti lielam elektroenerģijas patēriņam, piem., ārkārtīgi augsts griezes moments, pēkšņa apstāšanās vai issavienojums, elektriskais darbarīks 5 sekundes vibrē, uzlādes indikators mirgo, un elektriskais darbarīks pats izslēdzas. Lai to atkal ieslēgtu, atlaidiet ieslēgšanas pogu un tad to ieslēdziet no jauna. Esot ārkārtīgi augstam noslogojumam, akumulators sakarst pārāk daudz. Šādā gadījumā visas uzlādes indikatora lampiņas mirgo tik ilgi, kamēr akumulators ir atdzisis. Darbu varat turpināt, kad uzlādes indikators vairs nedeg. Akumulatoru var ievietot lādētājā, lai to atkal uzlādētu un aktivizētu.

## LITĪJA JONU AKUMULATORU TRANSPORTĒŠANA

Uz litija jonu akumulatoriem attiecas noteikumi par bīstamo kravu pārvadāšanu.

Šo akumulatoru transportēšana jāveic saskaņā ar vietējiem, valsts un starptautiskajiem normatīvajiem aktiem un noteikumiem.

Patērētāja darbības, pārvadājot šos akumulatorus pa autoceļiem, nav reglamentētas.

Uz litija jonu akumulatoru komerciālu transportēšanu, ko veic ekspedīcijas uzņēmums, attiecas bīstamo kravu pārvadāšanas noteikumi. Sagatavošanas darbus un transportēšanu drīkst veikt tikai atbilstoši apmācīts personāls. Viss process jāveda profesionāli. Veicot akumulatoru transportēšanu, jāievēro:

Pārliecinieties, ka kontakti ir aizsargāti un izolēti, lai izvairītos no issavienojumiem.

Pārliecinieties, ka akumulators iepakojumā nevar paslidēt.

Bojātus vai tekošus akumulatorus nedrīkst transportēt.

Plašāku informāciju Jūs varat saņemt no ekspedīcijas uzņēmuma.

## APKOPE

Pirms katras iekārtas izmantošanas reizes pārbaudīt vai strāvas kabeli, pagarinātāji un drošības siksnas nav bojātas vai nolietotājušas. Bojātās detaļas drīkst remontēt tikai profesionālis.

Vajag vienmēr uzmanīti, lai būtu tīras dzesēšanas atveres.

Laiku pa laiku uz zobstiena uzpiliniet dažus pilienus eļļas. Padeves varstas guļtnis ir pašmērējošs un to nav jāelļo. Sliežu slidvirsmas jasmere ar Molykote smeri.

Notīriet no iekārtas putekļus un citus gružus. Uzturiet iekārtas rokturi tīru, sausu un netaukainu. Iekārtas tīrīšanai izmantojiet maigas ziepes un mitru lupatiņu, jo dažādi tīrīšanas līdzekļi un šķīdinātāji ir kaitīgi plastmasas un citām izolētām daļām. Iekārtas tuvumā nekad nelietojiet uzliesmojošus vai ugunsnedrošus šķīdinātājus.

Izmantojiet tikai firmu Milwaukee piederumus un firmas Milwaukee rezerves daļas. Lieciet nomainīt detaļas, kuru nomaiņa nav aprakstīta, kādā no firmu Milwaukee klientu apkalpošanas servisiem. (Skat. brošūru „Garantija/klientu apkalpošanas serviss“.)

Ja nepieciešams, klientu apkalpošanas servīšā vai tieši pie firmas Techtronic Industries GmbH, Max-Eyth-Straße 10, 71364 Winnenden, Germany, var pieprasīt instrumenta numurs, kas norādīts uz jaudas panelā.

## SIMBOLI



UZMANĪBU! BĪSTAMI!



Pirms mašīnai veikt jebkāda veida apkopes darbus, ir jāizņem arī akumulators.



Izmantojot urbjmašīnu pozīcijā virs galvas, vienmēr strādājiet divatā. Elektroinstrumentu vienmēr pārvietojiet divatā, lai izvairītos no muguras savainojumiem.



Pirms sākt lietot instrumentu, lūdzu, izlasiet lietošanas pamācību.



Strādājot ar mašīnu, vienmēr jānēsā aizsargbrilles.



Nēsāt trokšņa slāpētāju!



Jāvalkā aizsargcimd!



**BĪSTAMI!** Lai izvairītos no savainošanās iespējām, turiet rokas, lupatiņas, apģērbu u.c. Drošā attālumā no kustīgajām detaļām un skaidām. Nekādā gadījumā nenovāciet skaidas, kamēr frēze vēl darbojas. Skaidām ir asas malas un tās var ievilkāt priekšmetus kustīgajās detaļās.



Nedrīkst ņemt līdzī metāla detaļas un pulksteņus.



Šo iekārtu nedrīkst izmantot personas ar elektrokardiostimulatoru un citiem medicīniskiem implantiem.



Iekārtas tuvumā aizliegts atrasties magnētiskajiem vai elektromagnētiskajiem datu nesējiem.



Ierīci sargājiet no lietus.



Kroņurbis



Pilna izmēra urbis



Elektriskus aparātus, baterijas/akumulatorus nedrīkst utilizēt kopā ar mājssaimniecības atkritumiem. Elektriskie aparāti un akumulatori ir jāsavāc atsevišķi un jānodod atkritumu pārstrādes uzņēmumā videi saudzīgai utilizācijai. Jautājiet vietējā iestādē vai savam specializētājam tirgotājam, kur atrodas atkritumu pārstrādes uzņēmumi vai savākšanas punkti.

**n<sub>0</sub>**

Tukšgaitas apgriezienu skaits

**V**

Spriegums



Līdzstrāva



Eiropas atbilstības zīme



Lielbritānijas atbilstības zīme



Ukrainas atbilstības zīme



Eirāzijas atbilstības zīme



TECHNINIAI DUOMENYS Magnetinė gręžimo mašina	M18 FMDP
Produkto numeris	4692 83 02... ... 000001-999999
Keičiamo akumuliatoriaus įtampa	18 V
Sūkių skaičius laisva eiga	400 min <sup>-1</sup> 690 min <sup>-1</sup>
judesio aukštis	146 mm
Maks. magneto jėga	8,89 kN
Suklio lizdas	19 mm Weldon
Maks. grąžto Ø, tuščiaaviduris grąžtas	38 mm
Maks. grąžto Ø, pilnas grąžtas	13 mm
Prietaiso svoris įvertintas pagal EPTA 2014/01 tyrimų metodiką (Li-Ion 2,0 Ah ... 12,0 Ah)	13,9 ... 14,5 kg
Rekomenduojama aplinkos temperatūra eksploatuojant	-18°C ... +50°C
Rekomenduojami akumuliatoriai	M18B..., M18HB...
Rekomenduojami įkrovikliai	M12-18..., M1418 C6
<b>Informacija apie keliamą triukšmą</b> Vertės matuotos pagal EN 62841. Įvertintas A įrenginio keliamo triukšmo lygis dažniausiai sudaro:	
Garso slėgio lygis (Paklaida K=3dB(A))	82,4 dB(A)
Garso galios lygis (Paklaida K=3dB(A))	93,4 dB(A)
<b>Nešioti klausos apsaugines priemones!</b>	
<b>Informacija apie vibraciją</b> Bendroji svyravimų reikšmė (trijų krypčių vektorių suma), nustatyta remiantis EN 62841.	
Vibravimų emisijos reikšmė a <sub>v</sub> (Li-Ion 2,0 Ah)	1,69 m/s <sup>2</sup>
Paklaida K=	1,5 m/s <sup>2</sup>

## DĖMESIO

Instrukcijoje nurodyta svyravimų ribinė vertė yra išmatuota remiantis standartu EN 62841; ji gali būti naudojama keliems elektriniams instrumentams palyginti. Ji taikoma ir laikinai įvertinti svyravimų apkrovą.

Nurodyta svyravimų ribinė vertė yra taikoma pagrindinėse elektrinio instrumento naudojimo srityse. Svyravimų ribinė vertė gali skirtis naudojant elektrinį instrumentą kitose srityse, papildomai naudojant netinkamus elektrinius instrumentus arba juos nepakankamai techniškai prižiūrint. Dėl to viso darbo metu gali žymiai padidėti svyravimų apkrova.

Siekiant tiksliai nustatyti svyravimų apkrovą, būtina atsivėlgti ir į laikotarpį, kai įrenginys yra išjungtas arba įjungtas, tačiau faktiškai nenaudojamas. Dėl to viso darbo metu gali žymiai sumažėti svyravimų apkrova.

Siekiant apsaugoti vartotojus nuo svyravimo įtakos naudojamos papildomos saugos priemonės, pavyzdžiui, elektrinių darbo instrumentų techninė priežiūra, rankų šilumos palaikymas, darbo procesų organizavimas.

## ⚠ DĖMESIO!

**Perskaitykite visas saugos nuorodas, instrukcijas, iliustracijas ir duomenis, kuriuos gaunate su prietaisu.** Jei nepaisysite žemiau pateiktų saugos nuorodų ir reikalavimų, gali trenkti elektros smūgis, kilti gaisras ir/arba galite sunkiai susižaloti arba sužaloti kitus asmenis.

**Išsaugokite šias saugos nuorodas ir reikalavimus, kad ir ateityje galėtumėte jais pasinaudoti.**

## ⚠ MAGNETINĖ GRĖŽIMO MAŠINA YPATINGOS SAUGUMO NUORODOS

Būtinai naudokite įrenginio saugos įtaisus. Dėvėkite apsaugines priemones. Dirbdami su mašina visada užsidėkite apsauginius akinius. Rekomenduotina dėvėti apsaugines priemones: apsaugos nuo dulkių respiratorius, apsaugines pirštines, kietus batus neslidžiais padais, šalmą ir klausos apsaugos priemones.

Nekiškite rankų į veikiančio įrenginio pavojaus zoną.

Draudžiama išiminėti drožles ar nuopjovas, įrenginiui veikiant. Nenaudokite pažeistų darbo įrankių.

Apdorojama detalė saugiai įtvirtinkite ar įverkite. Siekiant išvengti sužalojimų, darbo įrankio negalima laikyti rankomis.

### DĖMESIO!

Pjovimo skysčio nenaudokite dirbdami virš galvos arba kitose padėtyse, kad pjovimo skystis nepatektų į variklį arba jungiklio korpusą.

**DĖMESIO!** Siekdami išvengti trumpojo jungimo sukiamą gaisro pavojaus, sužalojimų arba produkto pažeidimų, neikiškite įrankio, keičiamo akumuliatoriaus arba įkroviklio į skysčius ir pasirūpinkite, kad į prietaisus arba akumuliatorius nepatektų jokių skysčių. Koroziją sukiantys arba laidūs skysčiai, pvz., sūrus vanduo, tam tikri chemikalai ir balikliai arba produktai, kurių sudėtyje yra baliklių, gali sukelti trumpąjį jungimą.

Keičiamų akumuliatorių ir įkroviklių nelaikykite atvirai. Laikykite tik sausoje vietoje. Saugokite nuo drėgmės.

Niekada nemerkite įrankio, išimamo akumulatoriaus ar įkroviklio į skystį ir neleiskite skysčiui į juos patekti, kad išvengtumėte sužalojimų ir žalos.

Keičiamus M18 sistemos akumulatorius kraukite tik „M18“ sistemos įkrovikliais. Nekraukite kitų sistemų akumuliatorių.

### NAUDOJIMAS PAGAL PASKIRTĮ

Gręžtuvo stovas gali būti naudojamas didelėms kiauromėms pliene ir kituose metaluose, kurių sudėtyje yra geležies, gręžti.

### DARBO NUORODOS

Elektromagnetinės gręžimo staklės magnetiškai prikimba prie 6,35 mm arba storesnių medžiagų, kurių sudėtyje yra metalo. Nenaudokite su medžiagomis, kurių storis mažesnis nei 6,35 mm. Magnetinis kokolis NESILAIKO ant nemagnetinių nerūdijančio plieno rūšių.

Pagrindas po gręžto stovu turi būti švarus, tvirtas, lygus, sausas, be skilylių ir lako.

Saugokite gręžtuvo stovą nuo lietaus ir nedirbkite šlapioje, drėgnoje ar sprogioje aplinkoje.

Viso proceso metu palaikykite tokį patį slėgį, kad po frezuojamais kraštais nekristų drožlės arba atplaišos. Dėl frezavimo atliekų, krentančių po freza, frezavimo darbai gali būti apskinkinti arba iš viso negali būti vykdomi.

### DĖMESIO!

Esant per didelei jėgai, magnetas atsilaivina.

Venkite kontakto su frezos galiuku. Retkarčiais patikrinkite, ar galiukas neatsilaivinęs arba nepažeistas.

Siekiant užtikrinti ilgesnį frezos eksploatavimą, rekomenduojama naudoti pjovimo skystį.

Dirbant su skersais ir vertikaliais paviršiais ir virš galvos, elektromagnetinis gręžto stovas turi būti pritvirtintas kartu pristatytu diržu. Saugos diržas turi būti pritvirtinamas taip, kad, neveikiant magnetui, gręžto stovas judėtų nuo naudotojo.

Prieš kiekvieną naudojimą būtina patikrinti, ar nepažeistas ir nenusidėjęs saugos diržas. Nenaudokite pažeistų saugos diržų!

Naudojamas įstatomasis įrankis gali įkaisti.

### DĖMESIO! Pavojus nusidėginti

- keičiant įrankį
- padedant prietaisą

Frezą išimkite tik tuomet, jeigu buvo išimtas ruošinys. Ruošinys neplanuotai gali būti išmestas.

### AUTOMATINIO SUSTABDYMO FUNKCIJA AUTO STOP

Su AUTO STOP funkcija, esant per stipriai trūkojančiai sukimo jėgai, veikiančiai elektromagnetą, įrenginys automatiškai išjungiamas. Laikydami saugumo nurodymų, nustatykite ir pašalinkite automatinio sustabdymo priežastį.

Galimos to priežastys:

- Apdirbamos medžiagos lūžimas
- Elektros įrankio perkrova dėl per didelės pastūmos
- Nešvarus elektromagneto paviršius

Išjunkite ir vėl įjunkite įrenginį

### APSAUGA NUO PAKARTOTINIO ĮSIJUNGIMO

Dingus elektros energijai, įrenginys vėl neįsijungia. Norėdami dirbti toliau, išjunkite ir vėl įjunkite įrenginį.

### ELEKTROMAGNETINIS VARIKLIO UŽRAKTAS

Elektromagnetinis variklio užraktas saugumo priemonė, neleidžianti į gręžto variklį tiekti energiją, jeigu nevaldomas elektromagnetas. Šis užraktas taip pat užtikrina, kad elektromagnetas nebūtų išjungtas variklio veikimo metu.

### CE ATITIKTIES PAREIŠKIMAS

Prisiimdami visą atsakomybę pareiškiame, kad gaminy, aprašytas „Techniniose duomenyse“, atitinka taikomus reikalavimus, išdėstytus direktyvose

2011/65/ES (RoHS)

2006/42/EB

2014/30/ES

ir buvo taikyti šie darnieji standartai

EN 62841-1:2015

EN 55014-1:2017: A11 2020

EN 55014-2:2015

EN IEC 63000:2018



Winnenden, 2020-11-10

Alexander Krug / Managing Director  
Įgaliosat parengti techninius dokumentus.

Techtronic Industries GmbH

Max-Eyth-Straße 10, 71364 Winnenden, Germany

### AKUMULIATORIAI

Ilgesnį laiką nenaudotus keičiamus akumulatorius prieš naudojimą įkraukite.

Aukštesnė nei 50°C temperatūra mažina keičiamų akumuliatorių galią. Venkite ilgesnio saulės ar šilumos šaltinių poveikio.

Įkroviklio ir keičiamo akumulatoriaus jungiamieji kontaktai visada turi būti švarūs.

Kad prietaisas kuo ilgiau veiktų, pasinaudoję juo, iki galo įkraukite akumulatorius.

Siekiant užtikrinti kuo ilgesnį baterijos tarnavimo laiką, reikėtų ją po atlikto įkrovimo iškart išimti iš įkroviklio.

Bateriją laikant ilgiau nei 30 dienų, būtina atkreipti dėmesį į šias nuorodas: bateriją laikyti sausoje aplinkoje, esant apie 27°C temperatūrai. Baterijos įkrovimo lygis turi būti nuo 30% iki 50%. Baterija pakartotinai turi būti įkraunama kas 6 mėnesius.

Sunaudotų keičiamų akumuliatorių nedeginkite ir nemeskite į buitines atliekas. „Milwaukee“ siūlo tausojantį aplinką sudėvėtų keičiamų akumuliatorių tvarkymą, apie tai prekybos atstovo.

Keičiamų akumuliatorių nelaikykite kartu su metaliniais daiktais (trumpojo jungimo pavojus).

Į įkroviklių keičiamiems akumuliatoriams įstatymui skirtą vamzdį turi nepatekti jokios metalinės dalys (trumpojo jungimo pavojus).

Ekstremalių apkrovų arba ekstremalios temperatūros poveikyje iš keičiamų akumuliatorių gali ištėkėti akumulatoriaus skystis. Išsėpus akumulatoriaus skysčiui, tuoj pat nuplaukite vandeniu su muilu. Patekus į akis, tuoj pat ne trumpiau kaip 10 minučių gausiai skalaukite vandeniu ir tuoj pat kreipkitės į gydytoją.



## APSAUGA NUO AKUMULIATORIAUS PERKROVOS

Esant akumuliatoriaus perkrovai dėl pernelyg didelio srovės suvartojimo, pvz.: itin didelių apsučių, staigaus sustabdymo ar trumpojo jungimo, elektrinis įrankis vibruoja 5 sekundes, signalinis įkrovos rodmuo pradeda mirksėti ir elektrinis įrankis automatiškai išsijungia. Norint įrankį pakartotinai įjungti, reikia atleisti jungiklį ir vėl jį įjungti. Esant ekstremalioms apkrovoms akumuliatorius per stipriai įkaista. Tokiu atveju visos įkrovos lemputės mirksi taip ilgai, kol akumuliatorius atvėsta. Užgesus įkrovos rodimenis įrankiu galima naudotis toliau.

Tada akumuliatorių reikia įkišti į kroviklį, kad jis įsikrautų ir veiktų.

## LIČIO JONŲ AKUMULIATORIŲ PERVEŽIMAS

Ličio jonų akumuliatoriams taikomos įstatyminės nuostatos dėl pavojingų krovinių pervežimų.

Šiuos akumuliatorius pervežti būtina laikantis vietinių, nacionalinių ir tarptautinių direktyvų ir nuostatų.

Naudotojai šiuos akumuliatorius gali naudoti savo transporte be jokių kitų sąlygų.

Už komercinį ličio jonų akumuliatorių pervežimą atsako ekspedicijos įmonė pagal nuostatas dėl pavojingų krovinių pervežimo. Pasiruošimo išsiųsti ir pervežimo darbus gali atlikti tik atitinkamai išmokyti asmenys. Visas procesas privalo būti prižiūrimas.

Pervežant akumuliatorius būtina laikytis šių punktų:

Siekiant išvengti trumpųjų jungimų, įsitikinkite, kad kontaktai yra apsaugoti ir izoliuoti.

Atkreipkite dėmesį, kad akumuliatorius pakuotės viduje nesūdinėtų.

Draudžiama pervežti pažeistus arba tekančius akumuliatorius. Dėl detalesnių nurodymų kreipkitės į savo ekspedicijos įmonę.

## TECHNINIS APTARNAVIMAS

Prieš kiekvieną naudojimą būtina patikrinti, ar nepažeistas ir nenusidėvėjęs jungties kabelis, ilginamasis kabelis, saugos diržas ir kištukas. Pažeistas dalis gali remontuoti tik specialistas.

Įrenginio vėdinimo angos visada turi būti švarios.

Laikas nuo laiko užlašinkite ant krumpliastiebio krumplių keletą lašų alyvos. Pastūmos veleno guolis yra savitepis ir jo tepti negalima. Vežimelio slysties paviršių tepkite „Molykote“ tepalu.

Nuo prietaiso nuolat valykite dulkes ir nešvarumus. Rankena turi būti švari, sausa ir nesutepta alyva ar tepalu. Valymo priemonės ir tirpikliai kenkia plastmasei ir izoliuojančioms detalėms, todėl prietaisą valydami naudokite tik švelnų muilą ir drėgną pašluostę. Niekada nesinaudokite degiais tirpikliais būdami šalia prietaiso.

Naudokite tik „Milwaukee“ priedus ir „Milwaukee“ atsargines dalis. Dalis, kurių keitimas neaprašytas, leidžiama keisti tik „Milwaukee“ klientų aptarnavimo skyriams (žr. garantiją/klientų aptarnavimo skyrių adresus brošiūroje).

Jei reikia, nurodant įrenginio tipą bei specifikacijų lentelėje esantį numerį, iš klientų aptarnavimo skyriaus arba tiesiai iš Techtronic Industries GmbH, Max-Eyth-SträÙe 10, 71364 Winnenden, Germany, galima užsisakyti prietaiso surinkimo brėžinius.

## SIMBOLIAI



DĖMESIO! ĮSPĖJIMAS! PAVOJUS!



Prieš atlikdami bet kokius darbus įrenginyje, išimkite keičiamą akumuliatorių.



Jeigu gražto laikiklis naudojamas virš galvos, dirbkite dviese. Elektros įrankį visada neškite dviese, kad išvengtumėte nugaros pažeidimų.



Prieš pradėdami dirbti su prietaisu, atidžiai perskaitykite jo naudojimo instrukciją.



Dirbdami su įrenginiu visada nešiokite apsauginius akinius.



Nešioti klausos apsaugines priemones!



Lietojiet aizsardzības cimdus!



**PAVOJUS!** Kad išvengtumėte sužalojimų, rankas, šluostes, rūbus ir t. t. laikykite saugiu atstumu nuo judančių dalių ir drožlių. Jokių būdu drožlių nešalinkite tuo metu, kol freza dar sukasi. Drožlių kraštai labai aštrūs ir gali įtraukti daiktus tarp judančių dalių.



Draudžiama kartu su savimi turėti metalinių daiktų ir laikrodžių.



Asmenys su širdies stimulatoriais arba kitais mediciniais implantuojamaisiais prietaisais negali naudoti šio gražto laikiklio.



Draudžiama kartu su savimi turėti elektromagnetinių arba elektroninių duomenų laikmenų.



Įrenginį saugoti nuo lietaus.



Gręžimo karūna



Gražtas



Elektros prietaisui, baterijų/akumuliatorių šalinti kartu su buitinėmis atliekomis negalima. Elektros prietaisus ir akumuliatorius reikia surinkti atskirai ir atiduoti perdirbimo įmonei, kad būtų pašalinti aplinkai saugiu būdu. Vietos valdžios institucijose arba specializuotose prekybos vietose pasidomėkite apie perdirbimo ir surinkimo centrus.



n<sub>0</sub> Sūkių skaičius laisva eiga



v Įtampa



— — Nuolatinė srovė



Europos atitikties ženklas



Britanijos atitikties ženklas



Ukrainos atitikties ženklas



Eurazijos atitikties ženklas

Lietuviškai

TEHNILISED ANDMED Magnetsüdamik-puurmasin	M18 FMDP
Tootmisnumber	4692 83 02... ... 000001-999999
Vahetatava aku pinge	18 V
Pöörlemiskiirus tühijooksul	400 min <sup>-1</sup> 690 min <sup>-1</sup>
Käigu kõrgus	146 mm
Max magnetjõud	8,89 kN
Spindli kinnitus	19 mm Weldon
Puuri $\varnothing$ max südamiku puuriga	38 mm
Puuri $\varnothing$ max täispuuriga	13 mm
Kaal vastavalt EPTA-protseduurile 01/2014 (Li-Ion 2,0 Ah ... 12,0 Ah)	13,9 ... 14,5 kg
Soovituslik keskkonna temperatuur töötamiseks	-18°C ... +50°C
Soovituslikud akupakid	M18B..., M18HB...
Soovituslik laadija	M12-18..., M1418 C6
<b>Müra andmed</b>	
Mõõteväärtused on kindlaks tehtud vastavalt normile EN 62841. Seadme tüüpiline hinnanguline (müratase):	
Helirõhutase (Määramatus K=3dB(A))	82,4 dB(A)
Helivõimsuse tase (Määramatus K=3dB(A))	93,4 dB(A)
<b>Kandke kaitseks kõrvaklappe!</b>	
<b>Vibratsiooni andmed</b>	
Vibratsiooni koguväärtus (kolme suuna vektorsummõõdetud EN 62841 järgi.	
Vibratsiooni emissiooni väärtus $a_h$ (Li-Ion 2,0 Ah)	1,69 m/s <sup>2</sup>
Määramatus K=	1,5 m/s <sup>2</sup>



## TÄHELEPANU

Antud juhendis toodud vonketase on mõõdetud EN 62841 standardile vastava mõõtesüsteemiga ning seda võib kasutada erinevate elektriseadmete omavahelises võrdlemises. Antud näitaja sobib ka esmaseks vonkekoormuse hindamiseks.

Antud vonketase kehtib elektriseadme kasutamisel sihtotstarbelselt. Kui elektriseadet kasutatakse muudel otstarvetel, muude tööriistadega või seda ei hooldata piisavalt võib vonketase siintoodust erineda. Eeltoodu võib vonketaset märkimisväärselt tõsta terves töökeskkonnas.

Vonketaseme täpseks hindamiseks tuleks arvestada ka aega, mil seade on välja lülitatud või on küll sisse lülitatud, kuid ei ole otseselt kasutuses. See võib märgatavalt vähendada kogu töökeskkonna vonketaset.

Rakendage spetsiaalseid ettevaatusabinõusid töötajate suhtes, kes puutuvad töö käigus palju kokku vibratsiooniga. Nendeks abinõudeks võivad olla, näiteks: elektri- ja tööseadmete korraline hooldus, käte soojendamine, töövoo parem organiseerimine.



### TÄHELEPANU!

**Lugege kõik seadmega kaasas olevad ohutusjuhised, juhendid, joonised ja andmed läbi.** Ohutusnõuete ja juhiste eiramise tagajärjeks võib olla elektrilöök, tulekahju ja/või raskest vigastused.

**Hoidke kõik ohutusnõuded ja juhised edasiseks kasutamiseks hoolikalt alles.**



### MAGNETSÜDAMIK-PUURMASIN SPETSIAALSED TURVAJUHISED

Kasutage tingimata masina kaitseesadist. Kasutada kaitsevarustust. Masinaga töötamisel kanda alati kaitseprille. Kaitseriituse-  
nõuete kasutamiseks kasutada tolmu- ja kaitsekindaid, kinniseid ja libisemisvastase tallaga jalanõusid, kiivrit ja kuulmisteede kaitset.

Ärge pange kätt töötava masina ohupiirkonda.

Puru ega pilpaid ei tohi eemaldada masina töötamise ajal.

Ärge kasutage vigastatud tarvikuid.

Kinnitage toriik turvaliselt. Vigastuste vältimiseks töödeldavaid detaile mitte käes hoida.

#### TÄHELEPANU!

Ärge kasutage lõikevedelikku, kui kasutate tööasendit instrument pea kohal või mõnda muud asendit, mille kasutamise korral lõikevedelik võib sattuda mootorisse või lüliti korpusesse.

**TÄHELEPANU!** Lühisest põhjustatud tuleohtu, vigastuste või toote kahjustuste vältimiseks ärge kastke tööriista, vahetusakut ega laadimisseadet vedelikku ning jälgige, et vedelikke ei tungiks seadmetesse ega akusse. Korrodeeruvad või elektrit juhtivad vedelikud, nagu soolvesi, teatud kemikaalid ja pleegitusained või pleegitusaineid sisaldavad tooted, võivad põhjustada lühist.

Ärge avage vahetatavaid akusid ega laadijaid ning ladustage neid ainult kuivades ruumides. Kaitske niiskuse eest.

Vigastuste ja kahjustuste vältimiseks ärge asetage tööriista, eemaldatavat akut ega laadijat vette ega laske vedelikel neisse tungida.

Laadige süsteemi M18 vahetatavaid akusid ainult süsteemi M18 laadijatega. Ärge laadige nendega teiste süsteemide akusid.

### KASUTAMINE VASTAVALT OTSTARBELE

Puursammast saab kasutada suurte aukude puurimiseks terasesse ja muudesse rauasisaldusega metallidesse.

### TÖÖJUHISED

Elektromagnetiline statsionaarne puurimismasin kinnitub magnetiliselt vähemalt 6,35 mm paksusele rauda sisaldavale materjalile.

Ärge kasutage õhemal kui 6,35 mm alusel. Magnetiline pesa EI KINNITU mittemagnetilisele roostevabast terasest pinnale.

Alus puurimismasina statiivi all peab olema puhas, stabiilne, tasane, kuiv ja ilma aukudeta ning värvi/laki kihita.

Ärge hoidke puursammast vihma käes, märjas, niiskes või plahvatusohtlikus ruumis.

Kogu töötamise ajal kasutada ühtlast survet, et freesimise äärte alla ei satuks saepuru või puurimise jäätmel. Freesi alla sattunud puurimise jäägid võivad muuta freesimistööd teatud tingimustel väga keerulisteks või isegi võimatuks.

#### TÄHELEPANU!

Liiga suure jõu kasutamisel magnet eemaldub.

Vältida kokkupuudet löigatava pinna otstega. Aeg-ajalt kontrollida, kas löikepea pole lahti või löiketerad kahjustunud.

Käesoleva löikeriista pikaajalise tagamiseks on soovitatav kasutada löikevedelikku.

Töötades kald- või vertikaalsetel pindadel, samuti ka pea kohal, magneetiline puurimismasina statiiv tuleb kindlustada komplekti kuuluvate rihmadega.

Turvavööd peavad olema kinnitatud nii, et magneti tõrke korral puurimismasina statiiv liiguks operaatorist eemale.

Enne igat kasutamiskorda kontrollida, kas rihmad ei ole kahjustunud või nad ei ole kulunud. Rikutud turvavööd on keelatud kasutada!

Rakendustööriist võib kasutamise ajal kuumaks minna.

#### TÄHELEPANU! Põletusohu

- tööriista vahetamisel
- seadme ärapanemisel

Eemaldada frees ainult siis, kui töödeldav detail on eemaldatud.

Detaili võib ootamatult kukkuda.

### AUTOMAATNE SEISKUMINE

Funktsiooniga AUTO STOP lülitub seade automaatselt välja, kui on ületatud lubatud ebaühtlane pöördemoment magnetile. Ohutusnõudeid järgides tehke kindlaks ja eemaldage automaatse seiskumise põhjus.

Automaatse seiskumise võimalikud põhjused:

- Töödeldava materjali läbipuurimine
- Elektrilise tööriista ülekoormus, osutades sellele liiga suur surve
- Määratud magneti pind

Lülitage seade välja ja lülitage uuesti sisse

### TAASKÄIVITUSKAITSE

Elektrikatkestuse korral pärast elektri taastamist seade ei käivitu. Lülitage seade välja ja seejärel uuesti sisse.

### MOOTORI/MAGNETI TURVALUKK

Mootori/magneti turvalukk on turvaseade, mis tagab puurimis- masina toitesüsteemi väljalülitumise, kui magnet ei tööta. Antud turvalukk tagab ka seda, et magnet ei lülituks välja mootori töötamise ajal.

### EÜ VASTAVUSAVALDUS

Kinnitame oma ainuvastutusele, et „Tehniliste andmete“ all kirjeldatud toode vastab direktiivide kõigile asjakohastele sätetele

2011/65/EU (RoHS)

2006/42/EÜ

2014/30/EÜ

ning täidetud on järgmistele ühtlustatud standardidele

EN 62841-1:2015

EN 55014-1-2:2017:A11 2020

EN 55014-2:2015

EN IEC 63000:2018

nõuded.



Winnenden, 2020-11-10

Alexander Krug / Managing Director

On volitatud koostama tehnilist dokumentatsiooni.

Techtronic Industries GmbH

Max-Eyth-Straße 10, 71364 Winnenden, Germany

### AKUD

Pikemat aega mittekasutatud akusid laadige veel enne kasutamist.

Temperatuur üle 50 °C vähendab vahetatava aku töövoimet. Vältige pikemat soojenemist päikese või kütteseadme mõjul.

Hoidke laadija ja vahetatava aku ühenduskontaktid puhtad.

Optimaalse patareie eluea tagamiseks, pärast kasutamist lae patareiplokk täielikult.

Akud tuleks võimalikult pika kasutusea saavutamiseks pärast täislaadimist laadijast välja võtta.

Aku ladustamisel üle 30 päeva: Ladustage akut kuivas kohas u 27°C juures. Ladustage akut u 30-50% laetusseisundis. Laadige aku iga 6 kuu tagant täis.

Ärge visake tarvitatud vahetatavaid akusid tulle ega olmeprügisse. Milwaukee pakub vanade akude keskkonnahoidlikku käitlust; palun küsige oma erialasel tarnijalt.

Ärge säilitage vahetatavaid akusid koos metalliesemetega (lühiseohu).

Laadijal olevasse vahetatava aku ühenduskambrisse ei tohi sattuda metallosi (lühiseohu).

Äärmuslikul koormusel või äärmuslikul temperatuuril võib kahjustatud vahetatavast akust akudevadik välja voolata. Akudevadikuga kokkupuutumise korral peske kohe vee ja seebiga. Silma sattumise korral loputage kiiresti põhjalikult vähemalt 10 minutit ning pöörduge viivitamatult arsti poole.

### AKU KOORMUSKAITSE

Aku ülekoormamisel kõrge voolutarbimisega, nt puuri blokeerumisel, lühise tekkimisel või ülikõrgetel pööretel, vibreerib elektritööriist 5 sekundit, laadimistuli vilgub ja tööriist lülitub automaatselt välja. Uuesti sisse lülitamiseks tuleb päästik esmalt vabastada

ning seejärel uuesti alla suruda. Üli suurel koormusel võib aku kuumeneda kõrgete temperatuurideni. Sellisel juhul vilguvad kõik laadimistulukesed kuni aku jahtumiseni. Peale laadimistulukeste kustumist võite tööd jätkata.

Aku tuleb laadimiseks ja taasaktiveerimiseks sisestada laadimis-seadmesse.

## LIITIUMIOONAKUDE TRANSPORTIMINE

Liitiumioonakud on allutatud ohtlike ainete transportimisega seonduvatele õigusaktidele.

Nende akude transportimine peab toimuma kohalikest, sise-riiklikest ja rahvusvahelistest eeskirjadest ning määrustest kinni pidades.

Tarbijad tohivad neid akusid edasiste piiranguteta tänaval transportida.

Liitiumioonakude kommertstransport ekspedeerimisettevõtete kaudu on allutatud ohtlike ainete transportimisega seonduvatele õigusaktidele. Tarne-ettevalmistusi ja transporti tohivad teostada eranditult vastavalt koolitatud isikud. Kogu protsessi tuleb asjatundlikult jälgida.

Akude transportimisel tuleb järgida järgmisi punkte:

Tehke kindlaks, et kontaktid on lühiste vältimiseks kaitsitud ja isoleeritud.

Pöörake tähelepanu sellele, et akupakk ei saaks pakendis nihkuda.

Kahjustatud või välja voolanud akusid ei tohi kasutada.

Pöörduge edasiste juhiste saamiseks ekspedeerimisettevõtte poole.

## HOOLDUS

Enne igat seadme kasutamiskorda kontrollida, kas töökaablid, pikendajad ja turvavööd pole kahjustatud või kulunud. Kahjustatud detaile tohib remontida ainult selle ala professionaal.

Hoidke masina õhutuspiilud alati puhtad.

Hammaslatti hambumisele panna aeg-ajalt mõni tilk õli. Etteandevõlli laagrid on isemäärivad ning neid ei tohi õlitada. Kelgu hõõrdepinda määrada Molvkote-määrdega.

Pühki tolm ja praht seadest. Hoia selle käepidemeid puhtad, kuivad ja õli- või rasvavabad. Seadme puhastamiseks kasuta ainult õrnat seepi ja niisket lapikest, kuna teatud puhastusvahendid ja lahustid on plastmassile ja teistele isoleeritud osadele kahjulikud. Mitte kunagi ära kasuta kergsüttivaid lahusteid seadmete juures.

Kasutage ainult Milwaukee tarvikuid ja Milwaukee tagavaraosi. Detailid, mille väljavahetamist pole kirjeldatud, laske välja vahetada Milwaukee klienditeeninduspunktis (vaadake brošüüri garantii / klienditeeninduste aadressid).

Vajaduse korral võite tellida seadme läbilõikejoonise, näidates ära masina tüübi ja andmesildil oleva numbr. Selleks pöörduge klienditeeninduspunkti või otse: Techtronic Industries GmbH, Max-Eyth-Straße 10, 71364 Winnenden, Germany.

## SÜMBOLID



ETTEVAATUST! TÄHELEPANU! OHUD!



Enne kõiki töid masina kallal võtke vahetatav aku välja.



Kasutades puurimismasinaga töötamisel asendit instrumendi peal, töötage alati kahekesi. Seljavigastuste vältimiseks liigutage elektrinstrumendi alati kahekesi.



Palun lugege enne käikulaskmist kasutusjuhend hoolikalt läbi.



Masinaga töötades kandke alati kaitseprille.



Kandke kaitseks kõrvaklappe!



Kanda kaitsekindaid!



**OHUD!** Vigastuste vältimiseks hoidke alati käed, lapid, riided jm. ohutus kauguses liikuvatest detailidest ja saepurust. Mitte mingil juhul ärge pühkige saepuru kokku, kui frees veel töötab. Saepurul on teravad ääred ja need võivad tõmmata esemeid liikuvatesse osadesse.



Mitte kaasa võtta metalloosi ja kelli.



Käesolevat seadet ei tohi kasutada inimesed, kellel on elektristimulaatorid ja muud meditsiinilised implantaadid.



Seadme läheduses ei tohi asuda magnetilised või elektromagnetilised andmekandjad.



Seadet ei tohi jätta vihma kätte.



Augustaag



Täismõõdus puur



Elektriseadmeid, patareid/akusid ei tohi utiliseerida koos majapidamisprügiga. Elektriseadmed ja akud tuleb eraldi kokku koguda ning kõrvaldada keskkonnasõbralikul moel töötlemiskeskusesse. Küsige infot jäätmekäitlusjaamade ja kogumispunktide kohta oma kohalike ametnike või edasimüüja käest.

**n<sub>o</sub>**

Pöörlemiskiirus tühijooksul

**V**

Pinge



Alalisvool



Euroopa vastavusmärk



Ühendkuningriigi vastavusmärk



Ukraina vastavusmärk

001



Euraasia vastavusmärk



ТЕХНИЧЕСКИЕ ДАННЫЕ Магнитный сердечник сверлильный станок	M18 FMDP
Серийный номер изделия	4692 83 02... ... 000001-999999
Вольтаж аккумулятора	18 V
Число оборотов без нагрузки	400 min <sup>-1</sup> 690 min <sup>-1</sup>
Длина хода	146 mm
Удерживающая способность магнита макс.	8,89 kN
Посадочное место шпинделя	19 mm Weldon
Макс. Ø отверстия при сверлении полым сверлом	38 mm
Макс. Ø отверстия при сверлении сплошным сверлом	13 mm
Вес согласно процедуре EPTA 01/2014 (Li-Ion 2,0 Ah ... 12,0 Ah)	13,9 ... 14,5 kg
Температура окружающей среды, рекомендованная для эксплуатации	-18°C ... +50°C
Рекомендованные аккумуляторные блоки	M18B..., M18HB...
Рекомендованные зарядные устройства	M12-18..., M1418 C6
<b>Информация по шумам</b> Значения замерялись в соответствии со стандартом EN 62841. Уровень шума прибора, определенный по показателю A, обычно составляет:	
Уровень звукового давления (Небезопасность K=3dB(A))	82,4 dB(A)
Уровень звуковой мощности (Небезопасность K=3dB(A))	93,4 dB(A)
<b>Пользуйтесь приспособлениями для защиты слуха.</b>	
<b>Информация по вибрации</b> Общие значения вибрации (векторная сумма трех направлений) определены в соответствии с EN 62841.	
Значение вибрационной эмиссии a <sub>h</sub> (Li-Ion 2,0 Ah)	1,69 m/s <sup>2</sup>
Небезопасность K=	1,5 m/s <sup>2</sup>

## ВНИМАНИЕ

Указанный в настоящем руководстве уровень вибрации измерен в соответствии с технологией измерения, установленной стандартом EN 62841 и может использоваться для сравнения электроинструментов друг с другом. Он также подходит для предварительной оценки вибрационной нагрузки.

Указанный уровень вибрации представляет основные виды использования электроинструмента. Но если электроинструмент используется для других целей, используемый инструмент отклоняется от указанного или техническое обслуживание было недостаточным, то уровень вибрации может отклоняться от указанного. В этом случае вибрационная нагрузка в течение всего периода работы значительно увеличивается.

Для точной оценки вибрационной нагрузки необходимо также учитывать время, в течение которого прибор отключен или включен, но фактически не используется. В этом случае вибрационная нагрузка в течение всего периода работы может существенно уменьшиться.

Установите дополнительные меры безопасности для защиты пользователя от воздействия вибрации, например: техническое обслуживание электроинструмента и используемого инструмента, поддержание рук в теплом состоянии, организация рабочих процессов.

## ВНИМАНИЕ!

**Ознакомьтесь с правилами техники безопасности, техническими регламентами, изображениями и данными, прилагаемыми к устройству.** Упущения, допущенные при не соблюдении указаний и инструкций по технике безопасности, могут стать причиной электрического поражения, пожара и тяжелых травм.  
**Сохраняйте эти инструкции и указания для будущего использования.**

## МАГНИТНЫЙ СЕРДЕЧНИК СВЕРЛИЛЬНЫЙ СТАНОК РЕКОМЕНДАЦИИ ПО ТЕХНИКЕ БЕЗОПАСНОСТИ

Всегда пользуйтесь защитной крышкой на инструменте. Пользоваться средствами защиты. Работать с инструментом всегда в защитных очках. Рекомендуется спецодежда: пылезащитная маска, защитные перчатки, прочная и нескользящая обувь, каска и наушники.

Никогда не касайтесь опасной режущей зоны в момент работы. Не убирайте опилки и обломки при включенном инструменте. Не применяйте поврежденную рабочую оснастку.

Закрепите обрабатываемую деталь струбиной или другим способом. Чтобы снизить риск получения травмы, не удерживайте заготовку руками.

**ВНИМАНИЕ!** Влага на контактах приводит к поражению электрическим током

Не используйте смазочно-охлаждающие жидкости при работе в перевернутом или любом другом положении, которое может привести к попаданию жидкости в двигатель или в корпус выключателя.

**ВНИМАНИЕ!** Для предотвращения опасности пожара в результате короткого замыкания, травм и повреждения изделия не опускайте инструмент, сменный аккумулятор или зарядное устройство в жидкости и не допускайте попадания жидкостей внутрь устройств или аккумуляторов. Коррозионные и проводящие жидкости, такие как соленый раствор, определенные химикаты, отбеливающие средства или содержащие их продукты, могут привести к короткому замыканию.

Никогда не вскрывайте аккумуляторы или зарядные устройства и храните их только в сухих помещениях. Следите, чтобы они всегда были сухими.

Во избежание ранения и порчи имущества ни в коем случае не опускайте инструмент, сменный аккумулятор и зарядное устройство в жидкость и не допускайте проникновения жидкости внутрь этих устройств.

Для зарядки аккумуляторов модели M18 используйте только зарядным устройством M18. Не заряжайте аккумуляторы других систем.

## ИСПОЛЬЗОВАНИЕ

Данный станок предназначен для сверления больших отверстий в стали и других черных металлах.

## УКАЗАНИЯ ПО РАБОТЕ

Электромагнитная дрель надежно фиксируется при толщине черного металла не менее 6.35мм. Не используйте для фиксации основания тоньше 6.35мм. Магнитное основание не будет удерживаться на немагнитных легированных сталях.

Основание под станиной сверлильной машины должно быть чистым, прочным, ровным, сухим, неокрашенным и не имеет отверстий.

Беречь сверлильный станок от дождя, не использовать его в сырых, влажных и взрывоопасных помещениях.

Для того, чтобы предотвращать попадание стружки и мелких обрезков металла под режущие кромки, поддерживайте постоянный равномерный нажим на протяжении всего процесса обработки. Попадание стружки или обрезков металла под фрезу может затруднить дальнейшую обработку или сделать ее невозможной.

**ВНИМАНИЕ!**

Чрезмерное усилие может привести к повреждению магнита

Избегайте контакта с режущими зубьями. Регулярно проверяйте режущие зубья на предмет потери или повреждения.

Для длительного и безопасного использования резцов рекомендуется использование смазочно-охлаждающей жидкости

При проведении работ на косых и вертикальных поверхностях, а также над головой магнитная станина должна быть закреплена ремнем из комплекта поставки.

Ремень безопасности следует наложить так, чтобы оператор мог переместить станину при отключении магнита.

Перед каждым использованием предохранительный ремень следует проверить на наличие повреждений и износа. Неисправный предохранительный ремень использовать нельзя!

Используемый инструмент может нагреваться во время применения!

**ВНИМАНИЕ!** Опасность получения ожога

- при смене оснастки
- при укладывании прибора

Не удаляйте фрезу, не удалив предварительно вырезанный материал. Острый обломок вырезанного материала может неожиданно выскочить из удаляемой фрезы.

## АВТОСТОП

Функция АВТОСТОПА автоматически отключает машину при воздействии на нее слишком большого прерывистого крутящего усилия. С учетом указаний по безопасности определите и устраните причину автоматической остановки.

Возможными причинами остановки могут быть:

- разрушение материала, подлежащего обработке;
- перегрузка электроинструмента из-за слишком интенсивной подачи;
- загрязнение поверхности магнита.

Отключите инструмент и вновь включите его

## ЗАЩИТА ОТ ПОВТОРНОГО ВКЛЮЧЕНИЯ

После отключения напряжения включенная машина повторно не запускается. Чтобы продолжить работу, выключите и снова включите машину.

## ЗАМОК МОТОР / ЭЛЕКТРОМАГНИТНЫЙ

Встроенная блокировка двигатель/магнит предотвратит подачу энергии на двигатель дрели, если магнит отключен. Также блокировка не позволит отключить магнит при работающем двигателе.

## ДЕКЛАРАЦИЯ О СООТВЕТСТВИИ СТАНДАРТАМ ЕС

Мы несем исключительную ответственность за то, что изделие, описанное в разделе «Техническая информация» соответствует всем применимым положениям директив 2011/65/EU (RoHS)

2006/42/EC

2014/30/EU

а также следующим согласованным стандартам

EN 62841-1:2015

EN 55014-1:2017:A11 2020

EN 55014-2:2015

EN IEC 63000:2018



Winnenden, 2020-11-10

Alexander Krug / Managing Director

Уполномочен на составление технической документации.

Techtronic Industries GmbH

Max-Eyth-Straße 10, 71364 Winnenden, Germany



## АККУМУЛЯТОР

Перед использованием аккумулятора, которым не пользовались некоторое время, его необходимо зарядить.

Температура выше 50°C снижает работоспособность аккумуляторов. Избегайте продолжительного нагрева или прямого солнечного света (риск перегрева).

Контакты зарядного устройства и аккумуляторов должны содержаться в чистоте.

Для обеспечения оптимального срока службы аккумулятор необходимо полностью заряжать после использования прибора.

Для достижения максимально возможного срока службы аккумуляторы после зарядки следует вынимать из зарядного устройства.

При хранении аккумулятора более 30 дней: Храните аккумулятор при 27°C в сухом месте. Храните аккумулятор с зарядом примерно 30% - 50%. Каждые 6 месяцев аккумулятор следует заряжать.

Не выбрасывайте использованные аккумуляторы вместе с домашним мусором и не сжигайте их. Дистрибьюторы компании Milwaukee предлагают восстановление старых аккумуляторов, чтобы защитить окружающую среду.

Не храните аккумуляторы вместе с металлическими предметами во избежание короткого замыкания.

Не допускается попадания каких-либо металлических предметов в аккумуляторный отсек зарядного устройства во избежание короткого замыкания.

Аккумуляторная батарея может быть повреждена и дать течь под воздействием чрезмерных температур или повышенной нагрузки. В случае контакта с аккумуляторной кислотой немедленно промойте место контакта мылом и водой. В случае попадания кислоты в глаза промойте глаза в течении 10 минут и немедленно обратитесь за медицинской помощью.

## ЗАЩИТА АККУМУЛЯТОРА ОТ ПЕРЕГРУЗКИ

В случае перегрузки аккумулятора по причине слишком большого потребления электроэнергии, при экстремально большом крутящем моменте, внезапной остановке или коротком замыкании, электроприбор вибрирует в течение 5 секунд, загорается индикатор заряда аккумулятора и электроприбор автоматически выключается. ть работу. Для повторного включения следует отжать кнопку включения и потом снова включить. При слишком высоких нагрузках аккумулятор перегревается. В этом случае загораются все лампы индикатора заряда аккумулятора. Когда аккумулятор остынет и лампы погаснут – можно продолж

Чтобы снова зарядить и активировать аккумулятор, подключите его к зарядному устройству.

## ТРАНСПОРТИРОВКА ЛИТИЙ-ИОННЫХ АККУМУЛЯТОРОВ

Литий-ионные аккумуляторы в соответствии с предписаниями закона транспортируются как опасные грузы.

Транспортировка этих аккумуляторов должна осуществляться с соблюдением местных, национальных и международных предписаний и положений.

Эти аккумуляторы могут перевозиться по улице потребителем без дальнейших обязательств.

При коммерческой транспортировке литий-ионных аккумуляторов экспедиторскими компаниями действующего положения, касающиеся транспортировки опасных грузов. Подготовка к отправке и транспортировка должны производиться исключительно специально обученными лицами. Весь процесс должен находиться под контролем специалиста.

При транспортировке аккумуляторов необходимо соблюдать следующие пункты:

Убедитесь, что контакты защищены и изолированы во избежание короткого замыкания.

Следите за тем, чтобы аккумуляторный блок не соскользнул внутри упаковки.

Транспортировка поврежденных или протекающих аккумуляторов запрещена.

За дополнительными указаниями обратитесь к своему экспедитору.

## ОБСЛУЖИВАНИЕ

Перед каждым использованием проверить инструмент, кабель подключения и кабель удлинения, ремень безопасности и вилку на наличие повреждений и износа. Ремонт поврежденных деталей может выполнять только специалист сервисного центра

Всегда держите охлаждающие отверстия чистыми.

Смазывать время от времени зубья зубчатой рейки несколькими каплями масла. Подшипники ходового вала самосмазывающиеся; их дополнительное смазывание не допускается. Смазывать рабочую поверхность каретки моликотовой смазкой.

Удаляйте пыль и грязь с прибора. Рукоятку держите чистой, сухой, а также очищенной от масла и смазки. Чистящие средства и растворители повреждают пластик и другие изолирующие детали, поэтому прибор следует очищать только мылом и влажной тряпкой. Никогда не используйте горячие растворители поблизости от прибора.

Пользуйтесь аксессуарами и запасными частями Milwaukee. В случае возникновения необходимости в замене, которая не была описана, обращайтесь в один из сервисных центров по обслуживанию электроинструментов Milwaukee (см. список сервисных организаций).

При необходимости может быть заказан чертеж инструмента с трехмерным изображением деталей. Пожалуйста, укажите номер и тип инструмента и закажите чертеж у Ваших местных агентов или непосредственно у Techtronic Industries GmbH, Max-Eyth-Straße 10, 71364 Winnenden, Germany.

## СИМВОЛЫ



**ВНИМАНИЕ! ПРЕДУПРЕЖДЕНИЕ! ОПАСНОСТЬ!**



Выньте аккумулятор из машины перед проведением с ней каких-либо манипуляций.



При работах со стойкой сверления на уровне выше головы всегда работайте вдвоем. Чтобы не повредить спину, всегда переносите электроинструмент вдвоем.



Пожалуйста, внимательно прочтите инструкцию по использованию перед началом любых операций с инструментом.



При работе с инструментом всегда надевайте защитные очки.



Пользуйтесь приспособлениями для защиты слуха.



Надевать защитные перчатки!



**ОПАСНОСТЬ!** Чтобы снизить риск травмы, всегда держите руки, ветошь и одежду подальше от движущихся частей и стружки. Не удаляйте стружку при вращающемся режущем инструменте. Стружка имеет острые края и может затянуть в движущиеся части.



Во время работы запрещается иметь при себе металлические предметы или часы.



Лицам с кардиостимуляторами или другими медицинскими имплантатами не разрешается использовать эту сверильную станину.



Проведение магнитного или электронных СМЭ запрещено.



Не подвергайте машину воздействию дождя.



Сверло для отверстия под резьбу



Сплошное сверло



Электроприборы, батареи/аккумуляторы запрещено утилизировать вместе с бытовым мусором.

Электрические приборы и аккумуляторы следует собирать отдельно и сдавать в специализированную компанию для утилизации в соответствии с нормами охраны окружающей среды. Получите в местных органах власти или у вашего специализированного дилера сведения о центрах вторичной переработки и пунктах сбора.

**n<sub>0</sub>**

Число оборотов без нагрузки

**V**

Вольт пост. тока



Постоянный ток



Европейский знак соответствия



Британский знак соответствия



Украинский знак соответствия

001



Евразийский знак соответствия



ТЕХНИЧЕСКИ ДАННИ магнитна бормашина	M18 FMDP
Производствен номер	4692 83 02... ... 000001-999999
Напрежение на акумулатора	18 V
Обороти на празен ход	400 min <sup>-1</sup> 690 min <sup>-1</sup>
Височина на хода	146 mm
Макс. магнитна сила	8,89 kN
Закрепване на шпиндела	19 mm Weldon
Макс. $\varnothing$ на пробиване със свредло за резбови отвори	38 mm
Макс. $\varnothing$ на пробиване с плътно свредло	13 mm
Тегло съгласно процедурата ЕРТА 01/2014 (Li-Ion 2,0 Ah ... 12,0 Ah)	13,9 ... 14,5 kg
Препоръчителна температура на околната среда при експлоатация	-18°C ... +50°C
Препоръчителни акумулаторни батерии	M18B..., M18HB...
Препоръчителни зарядни устройства	M12-18..., M1418 C6
<b>Информация за шума</b> Измерените стойности са получени съобразно EN 62841. Оцененото с А ниво на шума на уреда е съответно:	
Равнище на звуковото налягане (Несигурност K=3dB(A))	82,4 dB(A)
Равнище на мощността на звука (Несигурност K=3dB(A))	93,4 dB(A)
<b>Да се носи предпазно средство за слуха!</b>	
<b>Информация за вибрациите</b> Общите стойности на вибрациите (векторна сума на три посоки) са определени в съответствие с EN 62841.	
Стойност на емисии на вибрациите $a_{\text{h}}$ (Li-Ion 2,0 Ah)	1,69 m/s <sup>2</sup>
Несигурност K=	1,5 m/s <sup>2</sup>

## ВНИМАНИЕ

Посоченото в тези инструкции ниво на вибрациите е измерено в съответствие със стандартизиран в EN 62841 измервателен метод и може да се използва за сравнение на електрически инструменти помежду им. Подходящ е и за временна оценка на вибрационното натоварване.

Посоченото ниво на вибрациите представя основните приложения на електрическия инструмент. Ако обаче електрическият инструмент се използва с друго предназначение, с различни сменяеми инструменти или при недостатъчна техническа поддръжка, нивото на вибрациите може да е различно. Това чувствително може да увеличи вибрационното натоварване по време на целия работен цикъл.

За точната оценка на вибрационното натоварване трябва да се вземат предвид и периодите от време, в които уредът е изключен или работи, но в действителност не се използва. Това чувствително може да намали вибрационното натоварване по време на целия работен цикъл.

Определете допълнителни мерки по техника на безопасност в защита на обслужващия работник от въздействието на вибрациите като например: техническа поддръжка на електрическия инструмент и сменяемите инструменти, поддържане на ръцете топли, организация на работния цикъл.

## ВНИМАНИЕ!

**Прочетете всички указания за безопасност, инструкции, изображенията и техническите данни, които получавате с уреда.** Пропуски при спазването на указанията и на инструкциите за безопасност могат да доведат до токов удар, пожар и/или тежки наранявания.

**Запазете всички указания и инструкции за безопасност за бъдещето.**

## МАГНИТНА БОРМАШИНА СПЕЦИАЛНИ УКАЗАНИЯ ЗА БЕЗОПАСНОСТ

Предпазните устройства на машината да се използват задължително. Да се използват предпазни средства. При работа с машината винаги носете предпазни очила. Препоръчват се защитно облекло и прахозащитна маска, защитни ръкавици, здрави и нехлъзгащи се обувки, каска и предпазни средства за слуха.

Не бъркайте в зоната на опасност на работещата машина.

Стружки или отчупени парчета да не се отстраняват, докато машина работи.

Не използвайте повредени работни инструменти.

Обработваните материали да се закрепват сигурно или да се затягат. За да избегнете риска от нараняване, не дръжте обработваната част с ръка.

#### ВНИМАНИЕ!

Не използвайте течност за рязане при работа над главата или в други позиции, при които течността за рязане може да проникне в мотора или в корпуса на ключа.

**ВНИМАНИЕ!** За да избегнете опасността от пожар, предизвикана от късо съединение, както и нараняванията и повредите на продукта, не потапяйте инструмента, сменяемата акумулаторна батерия или зарядното устройство в течности и се грижете в уредите и акумулаторните батерии да не попадат течности. Течностите, предизвикващи корозия или провеждащи електричество, като солена вода, определени химикали, изобелващи вещества или продукти, съдържащи изобелващи вещества, могат да предизвикат късо съединение.

Не отваряйте акумулатори и зарядни устройства и ги съхранявайте само в сухи помещения. Пазете ги от влага.

За да избегнете нараняване и повреда, никога не потапяйте инструмента, сменяемата батерия или зарядното в течност и не позволявайте проникването на течност в тях.

Акумулатори от системата M18 да се зареждат само със зарядни устройства от системата M18 laden. Да не се зареждат акумулатори от други системи.

#### ИЗПОЛЗВАНЕ ПО ПРЕДНАЗНАЧЕНИЕ

Пробивният шендер може да се използва за пробиване на големи отвори в стомана и други железосъдържащи метали.

#### УКАЗАНИЯ ЗА РАБОТА

Електромагнитната бормашина със стойка се захваща чрез магнит към съдържащи желязо материали с дебелина от 6,35 мм или повече. Моля не я захващайте за материали, чиято дебелина е под 6,35 мм. Магнитната база HE ДЪРЖИ върху немагнитни неръждаеми стомани.

Повърхността под стойката на бормашината трябва да бъде чиста, твърда, гладка, суха и почистена от дупки и боя.

Пробивният шендер да не се излага на дъжд и да не се използва в мокри, влажни или застрашени от експлозия помещения.

Упражнявайте постоянен натиск през цялото време на обработка, за да не се появят стружки или грапавини под ръбовете на фрезоване. Попаднали под фрезера отпадъци от фрезоването могат да затруднят или да направят фрезоването невъзможно.

#### ВНИМАНИЕ!

Магнитът ще откаже под въздействието на прекомерна сила.

Избягвайте контакт с върховете на фрезера. Проверявайте го от време на време за хлабавини или повреди.

За да се осигури дълъг експлоатационен живот на тези фрезери, се препоръчва употребата на течност за рязане.

Магнитната стойка с бормашината трябва да бъде захваната с доставения колан при работа върху наклонени и вертикални повърхности и над главата.

Обезопасителният колан трябва да се прилага така, че стойката с бормашината да пада настрана от оператора при отказ на магнита.

Преди всяка употреба проверявайте обезопасителния колан за повреда и износване. Не използвайте дефектни обезопасителни колани!

Използваният инструмент може да загрее по време на употреба.

**ВНИМАНИЕ!** Опасност от изгаряния

- при смяна на инструмента
- при оставяне на уреда

Първо извадете заготовката, преди да отстраните фрезера. Заготовката може да бъде отхвърлена неочаквано.

#### АВТО-СТОП

Функцията авто-стоп автоматично изключва машината в случай на прекалено висока, рязка ротационна сила действаща върху магнита. Установете и отстранете причината за автоматичното спиране вземайки под внимание инструкциите за безопасност.

Възможна причина за това може да бъде:

- Пречупване на обработвания материал
- Претоварване на електроинструмента от прекалено бързо подаване
- Замърсена магнитна повърхност

Изключете машината и я включете отново

#### ЗАЩИТА ОТ ПОВТОРНО ПУСКАНЕ

Ако машината е включена по време на прекъсване на електрическото захранване, тя няма да се включи сама отново. За да продължите работата, изключете машината и я включете отново.

#### ЗАЩИТНА БЛОКИРОВКА МОТОР/МАГНИТ

Защитната блокировка мотор/магнит е мярка за безопасност, която не позволява моторът на бормашината да бъде захранван с ток, когато магнитът не е активиран. Тази блокировка също така гарантира, че магнитът няма да се изключи, докато моторът работи.

#### СЕ - ДЕКЛАРАЦИЯ ЗА СЪОТВЕТСТВИЕ

Ние декларираме, изцяло на наша отговорност, че продуктът, описан в „Технически данни“, съответства на всички необходими изисквания на директивите 2011/65/EC (RoHS) 2006/42/EO 2014/30/EC и че са използвани следните хармонизирани стандарти EN 62841-1:2015 EN 55014-1:2017:A11 2020 EN 55014-2:2015 EN IEC 63000:2018



Winnenden, 2020-11-10

Alexander Krug / Managing Director  
Упълномощен за съставяне на техническата документация  
Techtronic Industries GmbH  
Max-Eyth-Straße 10, 71364 Winnenden, Germany



## АКУМУЛАТОРИ

Акумулатори, които не са ползвани по-дълго време, преди употреба да се дозаредят.

Температура над 50°C намалява мощността на акумулатора. Да се избягва по-продължително нагряване на слънце или от отопление.

Поддържайте чисти присъединителните контакти на зарядното устройство и на акумулатора.

За оптимална продължителност на живот след употреба батериите трябва да се заредят напълно.

За възможно по-дълга продължителност на живот батериите трябва да се изваждат от уреда след зареждане.

При съхранение на батериите за повече от 30 дни:

съхранявайте батерията при прибл. 27°C и на сухо място.

Съхранявайте батерията при 30 до 50 % от заряда. Зареждайте батерията на всеки 6 месеца.

Не изхвърляйте изхабените акумулатори в огъня или в при битовите отпадъци. Milwaukee предлага екологосъобразно събиране на старите акумулатори; моля попитайте Вашия специализиран търговец.

Не съхранявайте акумулаторите заедно с метални предмети (опасност от късо съединение).

В гнездото за акумулатори на зарядните устройства не бива да попадат метални части (опасност от късо съединение).

При екстремно натоварване или екстремна температура от повредени акумулатори може да изтече батерийна течност.

При допир с такава течност веднага измийте с вода и сапун.

При контакт с очите веднага изплаквайте старателно най-малко 10 минути и незабавно потърсете лекар.

## ЗАЩИТА ОТ ПРЕТОВАРВАНЕ НА БАТЕРИЯТА

При претоварване на батерията вследствие на голямо потребление на енергия, например изключително високи въртящи моменти, , внезапно спиране или късо съединение, електрическият инструмент вибрира в продължение на 5 секунди, мига индикаторът за зареждане и електрическият инструмент се изключва сам. За да го включите повторно, освободете превключвателя и след това включете уреда. При екстремни натоварвания батерията се нагрява значително. В този случай всички светлини на индикатора за зареждане мигат дотогава, докато батерията се охлади. След изгасване на индикатора за зареждане можете да продължите работата с уреда.

Тогава акумулаторът да се включи към зарядното устройство, за да се дозареди и активира.

## ПРЕВОЗ НА ЛИТИЕВО-ЙОННИ БАТЕРИИ

Литиево-йонните батерии са предмет на законовите разпоредби за превоз на опасни товари.

Превозът на тези батерии трябва да се извършва в съответствие с местните, националните и международните разпоредби и регламенти.

Потребителите могат да превозват тези батерии по пътя без допълнителни изисквания.

Превозът на литиево-йонни батерии от транспортни компании е предмет на законовите разпоредбите за превоз на опасни товари. Подготовката на превоза и самият превоз трябва да се извършват само от обучени лица. Целият процес трябва да е под професионален надзор.

Спазвайте следните изисквания при превоз на батерии:

Уверете се, че контактите са защитени и изолирани, за да се избегне късо съединение.

Уверете се, че няма опасност от разместване на батерията в опаковката.

Не превозвайте повредени батерии или такива с течове.

Обърнете се към Вашата транспортна компания за допълнителни инструкции.

## ПОДДРЪЖКА

Преди всяка употреба проверявайте уреда, захранващия кабел, удължителния кабел, обезопасителния колан и щепсела за повреда и износване. Повредени части да бъдат ремонтирани само от специалист.

Вентилационните шлицы на машината да се поддържат винаги чисти.

Отвреме навреме да се капват по няколко капки масло върху зъбите на зъбната рейка. Лагерите на подавателния вал са самосмазващи се и не бива да се смазват с масло.

Повърхнината на плъзгане на шейната да се смазва със смазка Molykote.

Винаги отстранявайте праха и мърсотията от уреда. Дръжте ръкохватката чиста, суха и обезмазнена. Почистващите средства и разредителите са вредни за пластмасите и другите изолиращи части, затова почиствайте уреда само с мек сапун и кърпа. Никога не използвайте горящи разредители в близост до уреда.

Да се използват само аксесоари на Milwaukee и резервни части на Milwaukee. Елементи, чията подмяна не е описана, да се дадат за подмяна в сервиз на Milwaukee (вижте брошурата „Гаранция и адреси на сервизи“).

При необходимост можете да поискате за уреда от Вашия сервиз или директно от Techtronic Industries GmbH, Max-Eyth-SträÙe 10, 71364 Winnenden, Germany, чертеж за в случай на експлозия, като посочите типа на машината и номер върху заводската табелка.

## СИМВОЛИ



**ВНИМАНИЕ! ПРЕДУПРЕЖДЕНИЕ! ОПАСНОСТ**



Преди започване на каквито е да работи по машината извадете акумулатора.



Работете винаги по двойки, когато използвате бормашина със стойка на височина над главата. Носете електроинструмента винаги по двойки, за да се избегнат увреждания на гърба.



Преди пускане на уреда в действие моля прочетете внимателно инструкцията за използване.



При работа с машината винаги носете предпазни очила.



Да се носи предпазно средство за слуха!



Да се носят предпазни ръкавици!



**ОПАСНОСТ** За да избегнете риска от наранявания, дръжте ръцете си, парцали, дрехи и т.н. на безопасно разстояние от движещите се части и от стружки. В никакъв случай не отстранявайте стружките, докато фрезерът все още се върти. Стружките имат остри ръбове и могат да дръпнат предмети в движещите се части.



Носенето на метални части и часовници е забранено.



Лица с пейсмейкъри или други медицински импланти не трябва да използват тази бормашина със стойка.



Носенето на магнитни или електронни носители на данни е забранено.



Не излагайте машината на дъжд.



Боркорона



Свредло



Електрическите уреди, батерии/акумулаторни батерии не трябва да се изхвърлят заедно с битовите отпадъци. Електрическите уреди и акумулаторни батерии трябва да се събират разделно и да се предават на службите за рециклиране на отпадъците според изискванията за опазване на околната среда. Информирайте се при местните служби или при местните специализирани търговци относно местата за събиране и центровете за рециклиране на отпадъци.

**n<sub>0</sub>** Обороти на празен ход

**V** Напрежение

 Постоянен ток



Европейски знак за съответствие



Британски знак за съответствие



Украински знак за съответствие

001



Евро-азиатски знак за съответствие



DATE TEHNICE Mașină de găurit cu miez magnetic	M18 FMDP
Număr producție	4692 83 02... ... 000001-999999
Tensiune acumulator	18 V
Viteza de mers în gol	400 min <sup>-1</sup> 690 min <sup>-1</sup>
Lungimi de cursă	146 mm
Putere magnetică maximă	8,89 kN
Receptor pinolă (ax, arbore 0)	19 mm Weldon
Diametru maxim burghiu cu vârf cu miez gol	38 mm
Diametru maxim burghiu cu vârf solid	13 mm
Greutatea conform „EPTA procedure 01/2014” (Li-Ion 2,0 Ah ... 12,0 Ah)	13,9 ... 14,5 kg
Temperatură ambientală recomandată pentru funcționare	-18°C ... +50°C
Seturi de baterii recomandate	M18B..., M18HB...
Încărcător de baterii recomandat	M12-18..., M1418 C6
<b>Informație privind zgomotul</b>	
Valori măsurate determinate conform EN 62841. Nivelul de zgomot evaluat cu A al aparatului este tipic de:	
Nivelul presiunii sonore (Nesiguranță K=3dB(A))	82,4 dB(A)
Nivelul sunetului (Nesiguranță K=3dB(A))	93,4 dB(A)
<b>Purtați căști de protecție</b>	
<b>Informații privind vibrațiile</b>	
Valorile totale de oscilație (suma vectorială pe trei direcții determinate conform normei EN 62841.	
Valoarea emisiei de oscilații a <sub>n</sub> (Li-Ion 2,0 Ah)	1,69 m/s <sup>2</sup>
Nesiguranță K=	1,5 m/s <sup>2</sup>

## AVERTISMENT

Gradul de oscilație indicat în prezentele instrucțiuni a fost măsurat în conformitate cu o procedură de măsurare normată prin norma EN 62841 și poate fi folosit pentru a compara uneltele electrice între ele. El se pretează și pentru o evaluare provizorie a solicitării la oscilații.

Gradul de oscilație indicat reprezintă aplicațiile principale ale uneltelor electrice. În cazul în care însă uneltele electrice au fost folosite pentru alte aplicații, ori au fost folosite uneltele de muncă diferite ori acestea nu au fost supuse unei suficiente inspecții de întreținere, gradul de oscilație poate fi diferit.

Acest fapt poate duce la o creștere netă a solicitărilor la oscilații dealungul întregii perioade de lucru. În scopul unei evaluări exacte a solicitării la oscilații, urmează să fie luate în considerație și perioadele de timp în care aparatul a fost oprit ori funcționează dar, în realitate, el nu este folosit în mod practic. Acest fapt poate duce la o reducere netă a solicitărilor la oscilații dealungul întregii perioade de lucru.

Stabiliți măsuri de siguranță suplimentare în scopul protecției utilizatorului de efectele oscilațiilor, de exemplu: inspecție de întreținere a uneltelor electrice și a celor de muncă, păstrarea caldă a mâinilor, organizarea proceselor de muncă.

## AVERTISMENT!

**Citiți toate instrucțiunile de securitate, recomandările, reprezentările grafice și datele pe care le primiți livrate împreună cu aparatul.** Nerespectarea indicațiilor de avertizare și a instrucțiunilor poate provoca electrocutare, incendii și/sau răniri grave.

**Păstrați toate indicațiile de avertizare și instrucțiunile în vederea utilizărilor viitoare.**

## MAȘINĂ DE GĂURIT CU MIEZ MAGNETIC INSTRUCȚIUNI DE SECURITATE

Întotdeauna utilizați ecranele de protecție ale mașinii. Folosiți echipament de protecție. Purtați întotdeauna ochelari de protecție când lucrați cu mașina. Se recomandă utilizarea hainelor de protecție ca de ex. Mășți contra prafului, mănuși de protecție, încălțăminte stabilă nealunecoasă, cască și aparatoare de urechi.

Nu intrați niciodată în zona de pericol a plăcii când este în mișcare.

Rumegușul și spanul nu trebuie îndepărtate în timpul funcționării mașinii.

Nu folosiți dispozitive de lucru deteriorate.

Prindeți sau securizați în alt mod piesa de prelucrat. Pentru a preveni apariția pericolului de rănire, evitați ținerea cu mâna a piesei în lucru.

AVERTISMENT!

Nu folosiți lichid de răcire/ungere scule în poziție de lucru deasupra

Română

capului sau alte poziții la care lichidul s-ar putea scurge în motor sau în carcasa comutatorului.

**AVERTISMENT!** Pentru a reduce pericolul unui incendiu și evitarea rănirilor sau deteriorarea produsului în urma unui scurtcircuit nu imersați scula, acumulatorul de schimb sau încărcătorul în lichide și asigurați-vă să nu pătrundă lichide în aparate și acumulatori. Lichidele corosive sau cu conductibilitate, precum apa sărată, anumite substanțe chimice și înălbitori sau produse ce conțin înălbitori, pot provoca un scurtcircuit.

Nu deschideți niciodată acumulatorii și încărcătoarele și pastrați-le numai în încăperi uscate. Pastrați-le întotdeauna uscate.

Pentru a evita rănirile și deteriorările, nu scufundați niciodată în lichide unealta, bateria detașabilă sau încărcătorul și nu permiteți niciodată pătrunderea lichidelor în acestea.

Folosiiți numai încărcătoare System M18 pentru încărcarea acumulatorilor System M18. Nu folosiți acumulatori din alte sisteme.

### CONDIȚII DE UTILIZARE SPECIFICATE

Suportul mașinii de găurit este adecvat pentru realizarea de găuri mari în oțel și alte metale feroase.

### INDICAȚII DE LUCRU

Mașina de găurit cu stativ electromagnetice aderă magnetic pe material feruginos gros de cel puțin 6,35 mm. Rugăm a nu se folosi pe material-suport mai subțire de 6,35 mm. Talpa magnetică NU STĂ FIXATĂ pe sorturi de oțel superior nemagnetice.

Suprafața pe care se așează stativul pentru mașina de găurit trebuie să fie curat, rigid, neted, uscat, fără adâncituri și să nu aibă urme de lac/vopsea.

Nu expuneți mașina de găurit la ploaie și nu o utilizați în încăperi umede sau neînchinate.

Pe toată durata procesului exercitați o apăsare constantă ca să nu intre șpan sau bavură de la găurit sub muchiile de frezare. Deșeuri de la frezare care pătrund sub freză pot îngreua eventual operația de frezare sau s-o împiedice complet.

### AVERTISMENT!

Sub acțiunea unor forțe excesive, magnetul se desprinde.

Evitați contactul cu vârful frezei. Verificați din când în când partea frontală a frezei dacă nu s-au slăbit sau stricat unele dintre vârfuli.

Pentru a asigura o durată de funcționare lungă pentru aceste freze se recomandă folosirea de lichid de răcire/ungere scule.

La lucrări pe suprafețe înclinate sau verticale și la cele deasupra capului stativului pentru găurit cu fixare magnetică trebuie să fie asigurat prin intermediul centurii care face parte din livrare. Centura de siguranță trebuie fixată în așa fel încât dacă magnetul nu mai ține, stativul pentru găurit să se miște îndepărtându-se de operator.

Controlați înainte de fiecare întrebuințare dacă centura de siguranță nu are vreun defect și să nu dea semne de îmbătrânire. Nu utilizați centura de siguranță dacă e defectă!

Scula introdusă poate să devină fierbinte în timpul utilizării.

**AVERTISMENT!** Pericol de arsuri

- la schimbarea sculei
- la depunerea aparatului

Îndepărtați freza de abia după ce a fost scoasă piesa brută. Este posibil ca piesa brută să fie ejectată în mod neașteptat.

### AUTO-STOP

Cu AUTO STOP mașina este oprită automat în caz de forță tangențială excesivă sau discontinuă (cu smucituri) asupra magnetului. Depistați și înlăturați cauza opririi automate dând atenție instrucțiunilor de siguranță.

Cauze posibile pentru aceasta pot fi:

- Penetrarea completă în materialul de prelucrat
- Suprasolicitarea sculei electrice prin avans prea mare
- Suprafață murdară sub talpa magnetului

Opriiți mașina și reporniți-o

### PROTECȚIE CONTRA REPORNIRII

Mașina pornită nu-și reia activitatea după o întrerupere de curent. Pentru a continua lucrul, dați comanda oprit și reporniți mașina.

### BLOCAJ DE SIGURANȚĂ PENTRU MOTOR/MAGNET

Blocajul pentru motor/magnet constituie o caracteristică de siguranță care împiedică alimentarea motorului mașinii de găurit cu curent, dacă nu este activat magnetul. Blocajul respectiv are și funcția de a se opune dezactivării magnetului în timp ce merge motorul.

### DECLARAȚIE DE CONFORMITATE

Declarăm pe propria răspundere că produsul descris în capitolul „Date tehnice” îndeplinește toate cerințele relevante ale directivelor

2011/65/UE (RoHS)

2006/42/CE

2014/30/UE

și au fost utilizate următoarele standarde armonizate

EN 62841-1:2015

EN 55014-1:2017:A11 2020

EN 55014-2:2015

EN IEC 63000:2018



Winnenden, 2020-11-10

Alexander Krug / Managing Director

Împuternicit să elaboreze documentația tehnică.

Techtronic Industries GmbH

Max-Eyth-Straße 10, 71364 Winnenden, Germany

### ACUMULATORI

Acumulatorii care nu au fost utilizați o perioadă de timp trebuie reîncărcați înainte de utilizare

Temperatura mai mare de 50°C (122°F) reduce performanța acumulatorului. Evitați expunerea prelungită la căldură sau radiație solară (risic de supraîncălzire)

Contactele încărcătoarelor și acumulatorilor trebuie păstrate curate.

În scopul optimizării duratei de funcționare, bateriile trebuie reîncărcate complet după utilizare.

Pentru o durată de viață cât mai lungă, acumulatorii ar trebui scoși din încărcător după încărcare.



La depozitarea acumulatorilor mai mult de 30 zile: Acumulatorii se depozitează la cca. 27°C și la loc uscat. Acumulatorii se depozitează la nivelul de încărcare de cca. 30%-50%. Acumulatorii se încarcă din nou la fiecare 6 luni.

Nu aruncați acumulatorii uzați la containerul de reziduri menajere și nu îi ardeți. Milwaukee Distributors se oferă să recupereze acumulatorii vechi pentru protecția mediului înconjurător.

Nu depozitați acumulatorul împreună cu obiecte metalice (risc de scurtcircuit)

Nu se permite introducerea nici unei piese metalice în locașul pentru acumulator al incarcatorului. (risc de scurtcircuit)

Acidul se poate scurge din acumulatorii deteriorați la încălziri sau temperaturi extreme. În caz de contact cu acidul din acumulator, spălați imediat cu apă și săpun. În caz de contact cu ochii, clătiți cu atenție timp de cel puțin 10 minute și apelați imediat la îngrijire medicală.

### PROTECȚIE SUPRAÎNCĂRCARE ACUMULATOR

În cazul unei suprasolicitări a acumulatorului datorită unui consum excesiv de curent electric, de ex. datorită unor momente de durată extrem de înalte, a unei opriri subite sau a unui scurt circuit, scula electrică trepidează timp de 5 secunde, indicația stării de încărcare pălpăie și scula electrică se deconectează de la sine. Pentru reconectare dați drumul întrerupătorului și conectați din nou. În cazul unor sarcini extreme, acumulatorul se încinge prea tare. În acest caz toate lămpile indicației stării de încărcare pălpăie până când acumulatorul s-a răcit. După ce indicația stării de încărcare s-a stins se poate lucra mai departe.

Pentru a-l reîncărca și activa, puneți acumulatorul în în aparatul de încărcare.

### TRANSPORTUL ACUMULATORILOR CU IONI DE LITIU

Acumulatorii cu ioni de litiu cad sub incidența prescripțiilor legale pentru transportul de mărfuri periculoase.

Transportul acestor acumulatori trebuie să se efectueze cu respectarea prescripțiilor și reglementărilor pe plan local, național și internațional.

Consumatorilor le este permis transportul rutier nerestricționat al acestui tip de acumulatori.

Transportul comercial al acumulatorilor cu ioni de litiu prin intermediul firmelor de expediție și transport este supus reglementărilor transportului de mărfuri periculoase. Pregătirea pentru expediție și transportul au voie să fie efectuate numai de către personal instruit corespunzător. Întregul proces trebuie asistat în mod competent.

Următoarele puncte trebuie avute în vedere la transportul acumulatorilor:

Pentru a se evita scurtcircuite, asigurați-vă de faptul că sunt protejate și izolate contactele.

Aveți grijă ca pachetul de acumulatori să nu poată aluneca în altă poziție în interiorul ambalajului său.

Este interzis transportarea unor acumulatori deteriorați sau care pierd lichid.

Pentru indicații suplimentare adresați-vă firmei de expediție și transport cu care colaborați.

### ÎNȚEȚINERE

Înainte de fiecare folosire controlați aparatul, cablul de alimentare, prelungitorul, centura de siguranță și ștecherul să nu prezinte defecte sau semne de îmbătrânire. Încredințați repararea componentelor defecte numai unor specialiști.

Fantele de aerisire ale mașinii trebuie să fie menținute libere tot timpul

Din când în când, aplicați câteva picături de ulei pe dinții cremalierii. Cuzineții arborelui cu came sunt cu autoascuțire și nu trebuie să fie unși. Se gresează suprafața de alunecare a săniei cu vaselina Molykote.

Îndepărtați permanent praful și murdăria de pe aparat. Păstrați mânerul curat, uscat și lipsit de ulei sau unsoare. Detergenții și solvenții dăunează materialelor plastice și celorlalte componente izolatoare, deci nu curățați aparatul decât cu un săpun ușor și cu o lavetă umezită. Nu folosiți niciodată solvenți inflamabili în apropierea aparatului.

Utilizați numai accesorii și piese de schimb Milwaukee. Dacă unele din componente care nu au fost descrise trebuie înlocuite, vă rugăm contactați unul din agenții de service Milwaukee (vezi lista noastră pentru service / garanți)

Dacă este necesară, se poate comanda o imagine descompusă a sculei. Vă rugăm menționați numărul art. Precum și tipul mașinii tipărit pe etichetă și comandați desenul la agenții de service locale sau direct la Techntron Industries GmbH, Max-Eyth-Straße 10, 71364 Winnenden, Germany.

### SIMBOLURI



PERICOL! AVERTIZARE! ATENȚIE!



Îndepărtați acumulatorul înainte de începerea lucrului pe mașina



Când lucrarea se face utilizându-se stativul pentru mașina de găurit deasupra capului, lucrați totdeauna câte doi. Purtați scula electrică neapărat împreună ca să evitați leziuni spinale.



Vă rugăm citiți cu atenție instrucțiunile înainte de pornirea mașinii



Purtați întotdeauna ochelari de protecție când utilizați mașina.



Purtați căști de protecție



Purtați mănuși de protecție!



ATENȚIE! Petru a preîntâmpina pericolele de rănire, țineți-vă mâinile, cărpe, îmbrăcămintea etc. la o distanță care garantează siguranța față de piesele în mișcare și șpan. În niciun caz nu îndepărtați așchile în timp ce se mai rotește freza. Așchile au muchii ascuțite și pot trage obiecte între piesele în mișcare.



Este interzis să se poarte asupra sa obiecte metalice sau ceasuri.



Persoanelor cu stimulator cardiac sau alte implanturi medicale le este interzisă folosirea acestui stativ de mașină de găurit.



Este interzis să se poarte asupra sa suporturi magnetici sau electronici de date.



Nu lăsați mașina în ploaie.



Burghiu de centruiere



Burghiu pentru secțiuni pline



Aparatele electrice, bateriile/acumulatorii nu se elimină împreună cu deșeurile menajere. Aparatele electrice și acumulatorii se colectează separat și se predau la un centru de reciclare, în vederea eliminării ecologice. Informații vă de la autoritățile locale sau de la comercianții acreditați în legătură cu centrele de reciclare și de colectare.

**n<sub>0</sub>** Viteza de mers în gol

**V** Tensiune

 Curent continuu





Marcă de conformitate europeană



Marcă de conformitate britanică



Marcă de conformitate ucraineană



Marcă de conformitate eurasiatică



ТЕХНИЧКИ ПОДАТОЦИ Бормашина со магнетно јадро	M18 FMDP
Производен број	4692 83 02... ... 000001-999999
Волтажа на батеријата	18 V
Брзина без оптоварување	400 min <sup>-1</sup> 690 min <sup>-1</sup>
Должина на удар	146 mm
Макс. магнетна сила	8,89 kN
Прием на осовина/вретено	19 mm Weldon
Бушење- $\phi$ макс. со бормашина за дупчење	38 mm
Бушење- $\phi$ макс. со бормашина за полно дупчење	13 mm
Тежина според ЕПТА-процедурата 01/2014 (Li-Ion 2,0 Ah ... 12,0 Ah)	13,9 ... 14,5 kg
Препорачана температура на околината за работа	-18°C ... +50°C
Препорачани комплекти акумулаторски батерии	M18B..., M18HB...
Препорачани полначи	M12-18..., M1418 C6
<b>Информации за бучавата</b> Измерените вредности се одредени согласно стандардот EN 62841. А-оценетото ниво на бучава на апаратот типично изнесува:	
Ниво на звучен притисок. (Несигурност K=3dB(A))	82,4 dB(A)
Ниво на јачина на звук. (Несигурност K=3dB(A))	93,4 dB(A)
<b>Носте штитник за уши.</b>	
<b>Информации за вибрации</b> Вкупни вибрациски вредности (векторски збир на трите насоки) пресметани согласно EN 62841.	
Вибрациска емисиона вредност $a_h$ (Li-Ion 2,0 Ah)	1,69 m/s <sup>2</sup>
Несигурност K	1,5 m/s <sup>2</sup>

## ПРЕДУПРЕДУВАЊЕ

Нивото на осцилација наведено во овие инструкции е измерено во согласност со мерните постапки нормирани во EN 62841 и може да биде употребено за меѓусебна споредба на електро-алати. Ова ниво може да се употреби и за привремена проценка на оптоварувањето на осцилацијата.

Наведеното ниво на осцилација ги репрезентира главните намени на електро-алатот. Но, доколку електро-алатот се употребува за други намени, со отстапувачки податоци или со несоодветно одржување, нивото на осцилација може да отстапи. Тоа може значително да го зголеми оптоварувањето на осцилацијата за време на целиот работен период.

За прецизна проценка на оптоварувањето на осцилацијата предвид треба да бидат земени и времињата, во коишто апаратот е исклучен или работи, но фактички не се употребува. Тоа може значително да го намали оптоварувањето на осцилацијата за време на целиот работен период.

Утврдете дополнителни безбедносни мерки за заштита на операторот од влијанието на осцилациите, како на пример: одржување на електро-алатот и на податоци кон електро-алатот, одржување топли раце, организација на работните процеси.



### ПРЕДУПРЕДУВАЊЕ!

**Прочитајте ги сите безбедносни напомени, упатства, цртежи и податоци, коишто ги добивате заедно со уредот.** Заборавање на почитувањето на безбедносните упатства и инструкции можат да предизвикаат електричен удар, пожар и/или тешки повреди.  
**Сочувајте ги сите безбедносни упатства и инструкции за во иднина.**



### БОРМАШИНА СО МАГНЕТНО ЈАДРО УПАТСТВО ЗА УПОТРЕБА

Секогаш користете заштитен штит на машината. Употребувајте заштитна опрема. При работа со машината постојано носете заштитни очила. Се препорачува заштитна облека како: маска за заштита од прашина, заштитни ракавици, цврсти чевли што не се лизгаат, кацига и заштита за уши.

Никога не посегнувајте во зоната на опасната работна површина при вклучена машина.

Прашината и струготините не смеат да се одстрануваат додека е машината работи.

Не употребувајте оштетен прибор.

Обезбедете го предметот со забравување или на некој друг начин. За да се спречи опасност од повреди, парчето на кое се работи не би смеео да се држи со рака.

### ПРЕДУПРЕДУВАЊЕ!

Да не се користи средство за подмачкување при сечење кога се работи во висина над главата или во други позиции, во кои средството за подмачкување при сечење би можело да продре во моторот или во кукиштето на прекинувачот.

**ПРЕДУПРЕДУВАЊЕ!** За да избегнете опасноста од пожар, од наранувања или од оштетување на производот, коишто ги

создава краток спој, не ја потопувајте во течност алатката, заменувајте ја батеријата или полначот и пазете во уредите и во батериите да не проникнуваат течности. Корозивни или електриспроводливи течности, како солена вода, одредени хемикалии, избелувачки препарати или производи кои содржат избелувачки супстанции, можат да предизвикаат краток спој.

Не ги отворајте насилно батериите и полначите, и чувајте ги само на суво место. Чувајте ги постојано суви.

За да избегнете повреда и оштетување, алатот, преносливата батерија или полначот никогаш не потопувајте ги во течност или, пак, не дозволувајте во нив да навлезе вода.

Користете исклучиво Систем М18 за полнење на батериите од М18 систем. Не користете батериите од друг систем.

### СПЕЦИФИЦИРАНИ УСЛОВИ НА УПОТРЕБА

Стативот за бормашина може да се употребува за бушење на големи дупки во челик и во други метали што содржат железо.

### РАБОТНИ УПАТСТВА

Електромагнетната дупчалка со држач магнетски се прицврстува на материјал што содржи железо со дебелина од 6,35 мм или повеќе. Ве молиме иста да не ја користите за материјал потенок од 6,35 мм. Магнетното постоље НЕ ДРЖИ немагнетни видови на облагороден челик.

Површината под држачот на дупчалката мора да биде чиста, цврста рамна, сува и без дупки и лак.

Не изложувајте го стативот на бормашина на дожд и не употребувајте го во водени, влажни простории или во простории со опасност од експлозија.

Во текот на целиот процес треба да се врши константен притисок, за да не паѓаат струготини и брус под рабовите на фрезата. Како последица на отпадоци од фрезирањето, што ќе се најдат под фрезата, во дадени случаи може да биде отежнато или воопшто да не биде извршено фрезирањето.

#### ПРЕДУПРЕДУВАЊЕ!

При прекумерно влијание на сила, доаѓа до олабавување на магнетот.

Да се избегнува контакт со врвовите на фрезата. Одреме навреме да се проверува дали постојат олабавени или оштетени врвови.

За да се обезбеди долг работен век на овие фрези, се препорачува користење на течност за подмачкување при сечење.

При работа на коси и вертикални површини како и во висина над главата, магнетниот држачот на дупчалката треба се прицврсти со расположивиот сигурносен појас.

Сигурносниот појас треба да се намести на начин што ќе го спречи држачот на дупчалката при испад на магнетот да се помести подалеку од лицето кое ракува со дупчалката.

Пред секое користење на сигурносниот појас да се провери дали истиот е оштетен или амортизиран. Да не се користи дефектен сигурносен појас!

Употребеното орудие за време на примената може да стане многу жешко.

#### ПРЕДУПРЕДУВАЊЕ! Опасност од изгоретини

- при менување на орудието
- при ставање на апаратот на страна

Фрезата да се отстрани дури откако ќе се извади материјалот што се обработува. Материјалот може да биде неочекувано исфрлен.

### АВТО-СТОП ФУНКЦИЈА

Со функцијата АВТО- СТОП машината автоматски ќе се исклучи во случај на неочекувано достигнување на превисока ротациона сила врз магнетот. Утврдете ја и отстранете ја причината за автоматското исклучување, притоа земајќи ги во предвид сигурносните упатства.

Можни причини за тоа може да бидат следните:

- кршење на материјалот што се обработува
- преоптоварување на електричната алатка како резултат на премногу висока брзина на движење
- нечиста магнетна површина

исклучете ја и повторно вклучете ја машината

### ЗАШТИТА ОД ПОВТОРНО ПРИДВИЖУВАЊЕ

Вклучената машина не продолжува со работа по пад на напон. За да продолжите со работа, исклучете и повторно вклучете ја машината.

### БЕЗБЕДНОСНА БЛОКАДА НА МОТОРОТ/МАГНЕТОТ

Блокадата на моторот/магнетот е безбедносна карактеристика, која спречува напојување на моторот на дупчалката, ако магнетот не е управуван. Блокадата служи за тоа да спречи исклучување на магнетот, додека моторот сè уште работи.

### ЕУ-ДЕКЛАРАЦИЈА ЗА СООБРАЗНОСТ

Под целосна лична одговорност изјавуваме дека производот опишан во „Технички податоци“ е во сообразност со сите релевантни прописи од директивите 2011/65/EU (RoHS)

2006/42/EC

2014/30/EU

и дека се применети следните хармонизирани стандарди

EN 62841-1:2015

EN 55014-1:2017:A11 2020

EN 55014-2:2015

EN IEC 63000:2018



Winnenden, 2020-11-10

Alexander Krug / Managing Director

Ополномоштен за составување на техничката документација.

Techtronic Industries GmbH

Max-Eyth-Straße 10, 71364 Winnenden, Germany

### БАТЕРИИ

Батериите кои не биле користени подолго време треба да се наполнат пред употреба.

Температура повисока од 50°C (122°F) го намалуваат траењето на батериите. Избегнувајте подолго изложување на батериите на високи температури или сонце (ризик од прегревање).

Клемите на полначот и батериите мора да бидат чисти.

За оптимален работен век батериите мора да се наполнат целосно по употреба.



За можно подолг век на траење, апаратите после нивното полнење треба да бидат извадени од апаратот за полнење на батериите.

Во случај на складирање на батеријата подолго од 30 дена: Акумулаторот да се чува на температура од приближно 27°C и на суво место. Акумулаторот да се складира на приближно 30%-50% од состојбата на наполнетост. Акумулаторот повторно да се наполни на секои 6 месеци.

Не ги оставајте искористените батерии во домашниот отпад и не горете ги. Дистрибутерите на Милвоки ги собираат старите батерии, со што ја штитат нашата околина.

Не ги чувајте батериите заедно со метални предмети (ризик од краток спој).

Метални парчиња не смеат да навлезат во делот за полнење на батерија (ризик од краток спој).

Киселината од оштетените батериите може да истече при екстремн напон или температури. Доколку дојдете во контакт со исатата, измијте се веднаш со сапун и вода. Во случај на контакт со очите плакнете ги убаво најмалку 10 минути и задолжително одете на лекар.



**Mak**

### ЗАШТИТА ОД ПРЕОПТЕРЕТУВАЊЕ НА БАТЕРИЈАТА

При преоптеретување на батеријата како резултат на мошне висока потрошувачка на струја, на пример екстремно високи вртежни моменти, ненадејно стопирање или краток спој, електро-алатот вибрира 5 секунди, приказот за полнење трепка и електро-алатот самостојно се исклучува. За повторно вклучување ослободете го притискачот на прекинувачот, а потоа повторно вклучете. Во случај на екстремни оптоварувања батеријата се загрева премногу. Во таков случај трепкаат сите ламбички од приказот за полнење сè додека батеријата не се излади. По гаснење на приказот за полнење може да се продолжи со работа.

Тогаш ставете ја батеријата во уредот за полнење за повторно да ја наполните и активирате.

### ТРАНСПОРТ НА ЛИТИУМ-ЈОНСКИ БАТЕРИИ

Литиум-јонските батерии подлежат на законските одредби за транспорт на опасни материи.

Транспортот на овие батерии мора да се врши согласно локалните, националните и меѓународните прописи и одредби.

Потрошувачите на овие батерии може да вршат непречен патен транспорт на истите.

Комерцијалниот транспорт на литиум-јонски батерии од страна на шпедитерски претпријатија подлежат на одредбите за транспорт на опасни материи. Подготовките за шпедиција и транспорт треба да ги вршат исклучиво соодветно обучени лица. Целокупниот процес треба да биде стручно надгледуван.

При транспортот на батерии треба да се внимава на следното: Осигурајте се дека контактите се заштитени и изолирани, а сето тоа со цел да се избегнат кратки споеви.

Внимавајте да не дојде до измествување на батериите во нивната амбалажа.

Забранет е транспорт на оштетени или протечени литиум-јонски батерии.

За понатамошни инструкции обратете се до Вашето шпедитерско претпријатие.

### ОДРЖУВАЊЕ

Пред секое користење да се провери дали уредот, приклучниот кабел, продолжниот кабел, сигурносниот појас и утикачот се оштетени или амортизирани. Оштетените делови да се поправат исклучиво од страна на стручно лице.

Вентилициските отвори на машината мора да бидат комплетно отворени постојано.

Одвреме навреме ставајте неколку капки масло на запците од вратилото. Лагерите од делот за туркање се самоподмачкуваат и не смеат да се подмажуваат со масло. Површината за лизгање на лизгалката да се мазни со моликотек-маст.

Постојано отстранувајте прашина и нечистотија од апаратот. Одржувајте ја рачката чиста, сува и без масти или масло.

Средства за чистење и разредување се штетни по пластиките и други изолирачки делови, затоа чистете само со нежен сапун и влажна крпа. Никогаш не употребувајте запаливи средства за разредување во близина на апаратот.

Користете само Milwaukee додатоти и резервни делови. Доколку некои од компонентите кои не се опишани треба да бидат заменети, Ве молиме контактирајте ги сервисните агенти на Milwaukee (консултирајте ја листата на адреси).

Доколку е потребно можно е да биде набавен детален приказ на алатот. Ве молиме наведете го бројот на артиклот како и типот на машина кој е отпечатан на етикетата и порачајте ја скицата кај локалниот застапник или директно кај: Techtronic Industries GmbH, Max-Eyth-Straße 10, 71364 Winnenden, Germany.

### СИМБОЛИ



**ВНИМАНИЕ! ПРЕДУПРЕДУВАЊЕ! ОПАСНОСТ!**



Извадете го батерискиот склоп пред отпочнување на каков и да е зафат врз машината.



Во операции во висина над главата секогаш да се работи со партнер. Електрични алатки секогаш да се ги носат двајца, за да се спречат ризици од повреди на грбот.



Ве молиме пред да ја стартувате машината обрнете внимание на упатствата за употреба.



Секогаш при користење на машината носете ракавици.



Носте штитник за уши.




Носете ракавици!





**ОПАСНОСТ!** За да се спречи опасност од повреди, дланките, крпите, облеката и сл. држете ги на безбедна одалеченост од подвижните делови и од струготини. Струготините во никој случај немојте се обидуваат да ги отстраните додека фрезата сè уште работи. Струготините имаа остри рабови и може да вовлечат предмети во подвижните делови.





Забрането е носење на метални делови и часовници.


 Забрането е ракување со бушилката на лица со вграден пејсмејкер или други медицински имплантати.

 Забрането е носење на магнетни или други електронски носачи на податоци.

 Не ја изложувајте машината на дожд.


 Дупчалка со сврдел за навојни отвори


 Дупчалка со полн сврдел


 Електричните апарати и батериите што се полнат не смеат да се фрлат заедно со домашниот отпад. Електричните апарати и батериите треба да се собираат одделно и да се однесат во соодветниот погон заради нивно фрлање во склад со начелата за заштита на околината. Информирајте се кај Вашите местни служби или кај специјализираниот трговски претставник, каде има такви погони за рециклажа и собирни станици.


**n<sub>0</sub>** Брзина без оптоварување


**V** Волти

 Истосмерна струја

 Европска ознака за сообразност

 Британска ознака за сообразност

 Украинска ознака за сообразност

 Евроазиска ознака за сообразност



ТЕХНІЧНІ ХАРАКТЕРИСТИКИ Дриль з магнітним осердя́м	M18 FMDP
Номер виробу	4692 83 02... ... 000001-999999
Напруга знімної акумуляторної батареї	18 V
Кількість обертів холостого ходу	400 min <sup>-1</sup> 690 min <sup>-1</sup>
Висота ходу	146 mm
Макс. сила магніту	8,89 kN
Кріплення шпінделя	19 mm Weldon
Ø свердління макс., свердло для кернаого свердління	38 mm
Ø свердління макс., суцільне свердло	13 mm
Вага згідно з процедурою EPTA 01/2014 (Li-Ion 2,0 Ah ... 12,0 Ah)	13,9 ... 14,5 kg
Температура навколишнього середовища, рекомендована для експлуатації	-18°C ... +50°C
Рекомендовані акумулятори	M18B..., M18HB...
Рекомендовані зарядні пристрої	M12-18..., M1418 C6
<b>Інформація про шум</b> Вимірні значення визначені згідно з EN 62841. Рівень шуму „А” приладу становить в типовому випадку:	
Рівень звукового тиску (похибка K = 3 дБ(A))	82,4 dB(A)
Рівень звукової потужності (похибка K = 3 дБ(A))	93,4 dB(A)
<b>Використовувати засоби захисту органів слуху!</b>	
<b>Інформація щодо вібрації</b> Сумарні значення вібрації (векторна сума трьох напрямків), встановлені згідно з EN 62841.	
Значення вібрації a <sub>h</sub> (Li-Ion 2,0 Ah)	1,69 m/s <sup>2</sup>
похибка K =	1,5 m/s <sup>2</sup>

## ПОПЕРЕДЖЕННЯ

Рівень вібрації, вказаний в цій інструкції, вимірювався згідно з методом вимірювання, нормованим стандартом EN 62841, і може використовуватися для порівняння електроінструментів. Він призначений також для попередньої оцінки навантаження від вібрації.

Вказаний рівень вібрації відповідає основним сферам використання електроінструменту. Але якщо електроінструмент використовується для іншої мети, з іншими вставними інструментами або при недостатньому технічному обслуговуванні, рівень вібрації може бути іншим. Це може значно підвищити навантаження від вібрації за весь період роботи.

Для точної оцінки навантаження від вібрації необхідно також враховувати час, коли прилад вимкнений або увімкнений, але фактично не використовується. Це може значно зменшити навантаження від вібрації за весь період роботи.

Визначте додаткові заходи безпеки для захисту оператора від дії вібрації, наприклад: Технічне обслуговування електроінструменту та вставних інструментів, зігрівання рук, організація робочих процесів.

### ПОПЕРЕДЖЕННЯ!

**Ознайомтеся з усіма вказівками щодо техніки безпеки, інструкціями, ілюстраціями та відомостями, що було надано разом із приладом.** Упущення при дотриманні вказівок з техніки безпеки та інструкцій можуть призвести до ураження електричним струмом, пожежі та/або тяжких травм.  
**Зберігайте всі вказівки з техніки безпеки та інструкції на майбутнє.**

### ДРИЛЬ З МАГНІТНИМ ОСЕРДЯ́М ВКАЗІВКИ З ТЕХНІКИ БЕЗПЕКИ ДЛЯ

Обов'язково користуватися захисним обладнанням машини. Використовуйте індивідуальні засоби захисту. Під час роботи з машиною завжди носити захисні окуляри. Радимо використовувати захисний одяг, як наприклад маску для захисту від пилу, захисні рукавиці, міцне та нековзне взуття, каску та засоби захисту органів слуху.

Частини тіла не повинні потрапляти в небезпечну область машини, коли вона працює.

Не можна видаляти стружку або уламки, коли машина працює.

Не використовувати пошкоджені вставні інструменти.

Міцно закріпити або затиснути заготовки. Щоб запобігти травмуванню, не можна тримати заготовку руками.

**ПОПЕРЕДЖЕННЯ!** У випадку вологих з'єднань існує небезпека електрошоку.

Не використовувати мастильно-охолоджувальну рідину в голівці або в інших місцях, де вона може проникати в двигун або в корпус перемикача.

**ПОПЕРЕДЖЕННЯ!** Для запобігання небезпеці пожежі в результаті короткого замикання, травмат і пошкодження виробів не занурюйте інструмент, змінний акумулятор або зарядний пристрій у рідину і не допускайте потрапляння рідини всередину пристроїв або акумуляторів. Корозійні і

струмопровідні рідини, такі як солоний розчин, певні хімікати, вибілювальні засоби або продукти, що їх містять, можуть призвести до короткого замикання.

Не відкривати знімні акумуляторні батареї і зарядні пристрої та зберігати їх лише в сухих приміщеннях. Берегти від вологи. Щоб уникнути травм та пошкодження майна, в жодному разі не опускайте інструмент, знімний акумулятор і зарядний пристрій у рідину та не допускайте проникнення рідини всередину цих пристроїв.

Знімні акумуляторні батареї системи M18 заряджати лише зарядними пристроями системи M18. Не заряджати акумуляторні батареї інших систем.

#### ВИКОРИСТАННЯ ЗА ПРИЗНАЧЕННЯМ

Свердлильну стійку можна використовувати для свердління великих отворів в деталях із сталі та інших залізвмісних металів.

#### ВКАЗІВКИ ЩОДО ЕКСПЛУАТАЦІЇ

Дриль з електромагнітною стійкою тримається завдяки магнітній силі на матеріалі, що містить залізо, товщиною 6,35 мм або більше. Не використовувати на матеріалі, якщо його товщина менша за 6,35 мм. Магнітний цоколь НЕ ТРИМАЄТЬСЯ на немагнітній високосортній сталі.

Основа від свердлильною стійкою має бути чистою, міцною, гладкою, сухою та без отворів чи лакофарбового покриття.

Захищати свердлильну стійку від дощу та не використовувати в вологих, мокрих або вибухонебезпечних середовищах.

Під час усього процесу тиск повинен залишатися незмінним, щоб стружка або задирки не потрапляли під фрезерні кромки. Відходи від фрезерування, що потрапляють під фрезу, за певних обставин можуть ускладнити або взагалі унеможливити фрезерувальні роботи.

#### ПОПЕРЕДЖЕННЯ!

При надмірній дії сили магніт вимикається.

Уникати контакту з кінчиком фрези. Кінчик фрези час від часу перевіряти на наявність незакріплених або пошкоджених кінців.

Для забезпечення тривалого строку експлуатації цих фрезерних машин радимо використовувати мастильні-охолоджуючу рідину.

При роботах на скісних, вертикальних поверхнях та над головою магнітну свердлильну стійку необхідно фіксувати ремінем, що входить в комплект постачання.

Запобіжний ремінь встановлювати так, щоб при відмові магнітів свердлильна стійка рухалася в напрямку від оператора.

Перевіряти запобіжний ремінь перед кожним використанням на пошкодження та старіння. Не використовувати пошкоджений запобіжний ремінь!

Вставний інструмент може нагріватися під час роботи.

**ПОПЕРЕДЖЕННЯ!** Безбезпека опіків

- при заміні інструменту
- при відкладанні приладу

Фрезу слід прибирати лише після того, як буде виїнята заготовка. Заготовка може бути несподівано виштовхнута.

#### АВТОМАТИЧНА ЗУПИНКА

З функцією автоматичної зупинки машина автоматично вимикається, якщо на магніт діє надвисоке раптове оберталне зусилля. Визначити та усунути причину

автоматичної зупинки з урахуванням вказівок з техніки безпеки.

Причиною може бути:

- Пробивання оброблюваного матеріалу
- Перевантаження електроінструмента внаслідок занадто високої подачі
- Нечиста поверхня магніту

Вимкнути і знову увімкнути машину

#### ЗАХИСТ ВІД ПОВТОРНОГО ЗАПУСКУ

Увімкнена машина не відновлює роботу після збою електроживлення. Для продовження роботи вимкнути і знову увімкнути машину.

#### ЗАПОБІЖНЕ БЛОКУВАННЯ ДВИГУН/МАГНІТ

Блокування двигун/магніт - це функція безпеки, яка запобігає електроживленню двигуна дрילה, коли магніт не увімкнений. Це блокування також забезпечує, що магніт не вимикається, доки працює двигун.

#### СЕРТИФІКАТ ВІДПОВІДНОСТІ ВИМОГАМ ЄС

Ми заявляємо на власну відповідальність, що виріб, описаний в „Технічних даних“, відповідає всім застосовним положенням директиви

2011/65/EU (RoHS)

2006/42/EC

2014/30/EU

та наступним гармонізованим нормативним документам:

EN 62841-1:2015

EN 55014-1:2017:A11 2020

EN 55014-2:2015

EN IEC 63000:2018



Winnenden, 2020-11-10

Alexander Kруг / Managing Director

Уповноважений із складання технічної документації.

Techtronic Industries GmbH

Max-Eyth-Straße 10, 71364 Winnenden, Germany

#### АКУМУЛЯТОРНІ БАТАРЕЇ

Знімну акумуляторну батарею, що не використовувалася тривалий час, перед використанням необхідно підзарядити.

Температура понад 50 °C зменшує потужність знімної акумуляторної батареї. Уникати тривалого нагрівання сонячними променями або системою обігріву.

З'єднувальні контакти зарядного пристрою та знімної акумуляторної батареї повинні бути чистими.

Для забезпечення оптимального строку експлуатації акумуляторні батареї після використання необхідно повністю зарядити.

Для забезпечення максимально можливого терміну експлуатації акумуляторні батареї після зарядки необхідно виймати з зарядного пристрою.



При зберіганні акумуляторної батареї понад 30 днів: Зберігати акумуляторну батарею при температурі приблизно 27 °C в сухому місці. Зберігати акумуляторну батарею в стані зарядки приблизно 30-50 %. Кожні 6 місяців заново заряджати акумуляторну батарею.

Відпрацьовані знімні акумуляторні батареї не можна кидати у вогонь або викидати з побутовими відходами. Milwaukee пропонує утилізацію старих знімних акумуляторних батарей, безпечно для довкілля; зверніться до свого дилера.

Не зберігати знімні акумуляторні батареї разом з металевими предметами (небезпека короткого замикання).

В гніздо зарядного пристрою, яке призначене для встановлення знімної акумуляторної батареї, не повинні потрапляти металеві деталі (небезпека короткого замикання).

При екстремальному навантаженні або при екстремальній температурі з пошкодженою змінною акумуляторної батареї може витікати електроліт. При потрапленні електроліту на шкіру його негайно необхідно змити водою з милом. При потрапленні в очі їх необхідно негайно ретельно промити, щонайменше 10 хвилин, та негайно звернутися до лікаря.

### ЗАХИСТ АКУМУЛЯТОРНОЇ БАТАРЕЇ ВІД ПЕРЕВАНТАЖЕННЯ

У випадку перевантаження акумуляторної батареї внаслідок дуже високого споживання струму, наприклад, надмірно високого крутильного моменту, раптової зупинки або короткого замикання, електроінструмент вібрує 5 секунд, індикатор заряду блимає, електроінструмент самостійно вимикається. Для повторного увімкнення відпустити кнопку вимикача і знов увімкнути. При надмірних навантаженнях акумуляторна батарея сильно перегрівається. В цьому випадку всі лампочки індикатора заряду блимають, доки акумуляторна батарея не охолоне. Можна продовжити роботу після того, як індикатор заряду згасне.

Вставити акумуляторну батарею в зарядний пристрій, щоб знову зарядити та активувати її.

### ТРАНСПОРТУВАННЯ ЛІТІЙ-ІОННИХ АКУМУЛЯТОРНИХ БАТАРЕЙ

Літій-іонні акумуляторні батареї підпадають під заборону перевезення про перевезення небезпечних вантажів.

Транспортування таких акумуляторних батарей повинно відбуватися із дотриманням місцевих, національних та міжнародних приписів та положень.

Споживачі можуть без проблем транспортувати ці акумуляторні батареї по вулиці.

Комерційне транспортування літій-іонних акумуляторних батарей експедиторськими компаніями підпадає під положення про транспортування небезпечних вантажів. Підготовку до відправлення та транспортування можуть здійснювати виключно особи, які пройшли відповідне навчання. Весь процес повинні контролювати кваліфіковані фахівці.

При транспортуванні акумуляторних батарей необхідно дотримуватись зазначених далі пунктів:

Переконайтеся в тому, що контакти захищені та ізольовані, щоб запобігти короткому замиканню.

Слідкуйте за тим, щоб акумуляторна батарея не переміщувалася всередині упаковки.

Пошкоджені акумуляторні батареї, або акумуляторні батареї, що потекли, не можна транспортувати.

Для отримання подальших вказівок звертайтеся до своєї експедиторської компанії.

### ОБСЛУГОВУВАННЯ

Перед кожним використанням перевіряти прилад, з'єднувальний кабель, подовжувальний кабель, запобіжний ремінь та штекер на наявність пошкоджень та ознак старіння. Ремонт пошкоджених деталей доручається лише фахівцям.

Завжди підтримувати чистоту вентиляційних отворів.

Час від часу наносити на зубці зубчатої рейки кілька краплин оливи. Підшипники ходового валу самозмащувані, їх не можна змащувати оливою. Змастити поверхню ковзання ползків мастилом Molykote.

Завжди видаляти пил та бруд з приладу. Тримати рукоятку в чистому та сухому стані, на ній не повинно бути оливи або мастила. Засоби для чищення та розчинники шкідливі для полімерних матеріалів та інших ізолюючих деталей, тому чистити прилад тільки м'яким милом та вологою серветкою. Ніколи не використовуйте легкозаймисті розчинники поблизу приладу.

Використовувати тільки комплектуючі та запчастини Milwaukee. Деталі, заміна яких не описується, замінювати тільки в відділі обслуговування клієнтів Milwaukee (зверніть увагу на брошуру „Гарантія / адреси сервісних центрів“).

У разі необхідності можна запросити креслення з зображенням вузлів машини в перспективному вигляді, для цього потрібно звернутися в ваш відділ обслуговування клієнтів або безпосередньо в Techtronic Industries GmbH, Max-Eyth-Strasse 10, 71364 Winnenden, Німеччина, та вказати тип машини та шестизначний номер на фірмовій табличці з даними машини.

### СИМВОЛИ



УВАГА! ПОПЕРЕДЖЕННЯ! НЕБЕЗПЕЧНО!



Перед будь-якими роботами на приладі винняти змінну акумуляторну батарею.



Коли свердлильна стійка використовується на стелі, працювати необхідно завжди вдвох. Переносити електроінструмент завжди вдвох, щоб запобігти травмам спини.



Уважно прочитайте інструкцію з експлуатації перед введенням приладу в дію.



Під час роботи з машиною завжди носити захисні окуляри.



Використовувати засоби захисту органів слуху!



Носити захисні рукавиці!



**НЕБЕЗПЕЧНО!** Щоб запобігти травмуванню, тримати руки, ганчір'я, одяг та ін. на безпечній відстані від рухомих частин та стружки. Ні в якому разі не видаляти стружку, доки фреза ще обертається. Стружка має гострі кромки, вона може затягнути предмети в рухомі частини.



Заборонено носити металеві вироби та годинники.



Особи з кардіостимуляторами або іншими медичними імплантатами не повинні користуватися цією стійкою для свердління.



Заборонено мати при собі магнітні або електронні носії даних.



Не тримати машину під дощем.



Свердло для кернавого свердління




Суцільне свердло




Електроприлади, батареї/акумулятори заборонено утилізувати разом з побутовим сміттям. Електричні прилади і акумулятори слід збирати окремо і здавати в спеціалізовану компанію для утилізації відповідно до норм охорони довкілля. Зверніться до місцевих органів або до вашого дилера, щоб отримати адреси пунктів вторинної переробки та пунктів прийому.


**n<sub>0</sub>** Кількість обертів холостого ходу


**V** Напруга

 Постійний струм

 Європейський знак відповідності

 Британський знак відповідності

 Український знак відповідності

 Євразійський знак відповідності



سيضيء مقياس الوقود حتى تنخفض درجة حرارة البطارية. بعد انطفاء الأضواء، يمكنك متابعة العمل.

ضع البطارية على الشاحن للشحن ثم أعد ضبطها.

### نقل بطاريات الليثيوم

تخضع بطاريات الليثيوم أيون لشروط قوانين نقل السلع الخطرة.

ويجب نقل هذه البطاريات وفقاً للأحكام والقوانين المحلية والوطنية والدولية.

يمكن للمستخدم نقل البطاريات برأ دون الخضوع لشروط أخرى.

يخضع النقل التجاري لبطاريات الليثيوم أيون عن طريق الغير إلى قوانين نقل السلع الخطرة. يتعين أن يقوم أفراد مدربون جيداً بالإعداد لعملية النقل والقيام بها بصحبة خبراء مثلهم.

متى تُنقل البطاريات:

عند التأكد من حماية أطراف توصيل البطارية وعزلها تجنباً لحدوث قصر بالدائرة.

عند التأكد من حماية حزمة البطارية من الحركة داخل صندوق التعبئة.

يُرجى عدم نقل البطاريات التي بها تشققات أو تسربات.

يُرجى البحث مع شركة الشحن عن نصيحة أخرى

### الصيانة

قبل كل استخدام قم بفحص الجهاز وسلك توصيل الجهاز بالتيار وسلك الإمداد بالتيار وحزام الأمان والمقابس عما إذا كان بهم أضرار أو تقادم. الأجزاء التي بها أضرار يتم إصلاحها من شخص متخصص فقط.

يجب أن تكون فتحات تهوية الجهاز نظيفة طوال الوقت.

ضع قطرات قليلة من الزيت على أسنان المحمل من وقت لآخر.

تشحيمها: قم بتشحيم سطح الحامل المنزلق بزيت Molykote.

نظف الأداة من الغبار والحطام. اجعل مقابض الأداة نظيفة وجافة وخالية من الزيت أو الشحم. استخدم الصابون الرقيق والملابس الرطبة لتنظيف الأداة فقط حيث إن مواد ومحاليل التنظيف تتسبب في تلف البلاستيك وأجزاء أخرى معزولة. لا تستخدم المحاليل القابلة للاشتعال أو الاشتعال حول الأداة.

استخدم فقط ملحقات ميلوكي وكذلك قطع غيار ميلوكي. إذا كانت المكونات التي يجب تغييرها غير مذكورة، يرجى الاتصال بأحد عملاء صيانة ميلوكي (انظر قائمة عناوين الضمان/الصيانة الخاصة بنا).

عند الحاجة يمكن طلب رمز انفجار الجهاز بعد ذكر طراز الألة والرقم السداسي المذكور على بطاقة طاقة الألة لدى جهة خدمة العملاء أو مباشرة لدى شركة

Techtronic Industries GmbH  
Max-Eyth-Straße 10, 71364 Winnenden  
ألمانيا

### الرموز



تنبيه! تحذير! خطراً



انزع البطارية قبل التعامل مع الجهاز.



اعمل دائماً في ثنائيات عند استخدام حامل المثقاب في مكان مرتفع أعلى الرأس. اجعل الأداة الكهربائية بيديك لتجنب إصابات الظهر.

يرجى قراءة التعليمات بعناية قبل بدء تشغيل الجهاز.



ارتد دائماً نظارات الوقاية عند استخدام الجهاز.



ارتد واقيات الأذن!



ارتد القفازات!



خطراً! لتقليل خطر الإصابة، أبق يدك والخرق والملابس وما إلى ذلك بعيداً عن الأجزاء المتحركة والشظايا. لا تقم بمحاولة إزالة الشظايا أثناء عمل القاطع. الشظايا حادة ويمكن أن تتسبب في سحب الأشياء إلى داخل الأجزاء المتحركة.



يحظر نقل الأجزاء المعدنية وفحصها.



لا يُسمح للأشخاص الذين يعانون أمراضاً بالقلب أو لديهم أجهزة طبية مزروعة باستخدام حامل المثقاب هذا.



يحظر معالجة الوسائط المغناطيسية أو الإلكترونية.



لا تعرض الآلة للمطر مطلقاً.



مُثقَاب نَقَب المحور



مُثقَاب كامل



يحظر التخلص من الأجهزة الكهربائية والبطاريات/البطاريات القابلة للشحن في القمامة المنزلية. يجب جمع الأجهزة الكهربائية والبطاريات القابلة للشحن منفصلة وتسليمها للتخلص منها بشكل لا يضر بالبيئة لدى شركة إعادة استغلال. الرجاء الاستفسار لدى الهيئات المحلية أو لدى التجار المتخصصين عن مواقع إعادة الاستغلال ومواقع الجمع.



أقصى سرعة دون وجود حمل  $n_0$

وحدات الفولت  $V$

التيار المستمر

علامة التوافق الأوروبية



علامة التوافق البريطانية



علامة التوافق الأوكرانية



001

علامة التوافق الأوروبية الأسيوية



## إعلان المطابقة - الاتحاد الأوروبي

نعلن تحت مسؤوليتنا وحدنا أن المنتج المعين تحت اسم  
„البطاريات الفنية“ يستوفي جميع الأحكام ذات الصلة ضمن  
التوجيهات

2011/65/EU (RoHS)  
2006/42/EG  
2014/30/EU

والمعايير المتسقة التالية

EN 62841-1:2015  
EN 55014-1:2017:A11 2020  
EN 55014-2:2015  
EN IEC 63000:2018



Winnenden, 2020-11-10

Alexander Krug

Alexander Krug / Managing Director  
معمتمة للمطابقة مع الملف الفني

Techtron Industries GmbH  
Max-Eyth-Straße 10, 71364 Winnenden,  
Germany

## البطاريات

يجب إعادة شحن البطارية غير المستخدمة لفترة قبل  
الاستخدام.

تقلل درجات الحرارة التي تتجاوز 50° سيليزيوس  
(122° فهرنهايت) من أداء البطارية. تجنب التعرض الزائد  
للحرارة أو أشعة الشمس (خطر التسخين)..

يجب الحفاظ على محتويات الشواحن و البطاريات نظيفة.  
للحصول على فترة استخدام مثالية، يجب شحن البطاريات  
تماماً، بعد الاستخدام.

للحصول على أطول عمر ممكن للبطارية، انزع البطارية من  
الشاحن بمجرد شحنها تماماً.

لتخزين البطارية أكثر من 30 يوم: خزن البطارية بحيث  
تكون درجة الحرارة أقل من 27° سيليزيوس وبعيداً عن أي  
رطوبة خزن البطارية مشحونة بنسبة تتراوح بين 50% - 30  
اشحن البطارية كالمعتاد، وذلك كل ستة أشهر من التخزين.

لا تتخلص من البطاريات المستعملة مع النفايات المنزلية أو  
بحرقها. يقدم مورزو مملوكي خدمة استعادة البطاريات القديمة  
لحماية البيئة.

لا تقم بتخزين البطارية مع الأشياء المعدنية (خطر قصر  
الدائرة).

يجب تجنّب دخول أي أجزاء معدنية في قسم البطارية الخاصة  
بالشاحن (خطر الماس الكهربائي)..

قد يتسرب حامض البطارية من البطاريات التالفة في ظروف  
الحمل الزائد بدرجة كبيرة أو في درجات الحرارة الشديدة.  
في حالة ملامسة حامض البطارية اغسل يديك فوراً بالماء  
والصابون. في حالة ملامسة الأسانل للعينين اشطفهما جيداً  
لمدة 10 دقائق على الأقل واطلب العناية الطبية فوراً.

## حماية البطارية

في حالات العزم العالي، أو إعاقة الحركة أو التوقف المفاجئ  
أو القصور في الدائرة الكهربائية الذي ينتج عنه سحب لقر  
كبير من التيار الكهربائي، ستصدر الآداة ذبذبات لمدة 5  
ثوان، وسيضيء مقياس الوقود ثم تتوقف عن العمل. لإعادة  
الضبط، حرر الزناد. في الظروف القصوى للعمل، قد ترتفع  
درجة الحرارة الداخلية للبطارية ارتفاعاً شديداً. إذا حدث ذلك،

استخدم فقط شواحن System M18 لشحن بطاريات  
System M18. لا تستخدم بطاريات من أنظمة أخرى.

## شروط الاستخدام الممّدة

يتناسب استخدام حامل المثقاب مع حفر الثقوب الكبيرة في  
المعادن الصلبة والمعادن الحديدية الأخرى.

## نصائح العمل

يأتي المثقاب المضطبي الكهرومغناطيسي بقدرة علي  
المغمطة تصل إلى 6,35 مم أو أجزاء حديدية ذات سمك  
أكبر. لا تستخدم أجزاء أقل سمكاً من 6,35 مم. فإن القاعدة  
المغناطيسية لن تتحمل الدرجات غير المغمطة من الفولاذ  
المقاوم للصدأ.

يجب أن يكون السطح السفلي الموجود أسفل حامل المثقاب  
نظيف وثابت ومستوي وجاف وخالي من الحفر والطلاء.  
لا تعرض حامل المثقاب لمياه الأمطار ولا تستخدمه في الغرف  
الرطبة أو الغرف غير المضادة للرأق.

حافظ على الضغط الثابت خلال العملية بأكملها لتجنب سقوط  
الشطابيا والنتوءات تحت الحواف القاطعة. قد يتسبب تقطيع  
الحطام تحت آلة القطع في جعل عملية التقطيع صعبة أو  
مستحيلة.

تحذيراً!

ستعمل القوة المفرطة على كسر المجال المغناطيسي.

تجنب ملامسة أطراف آلة القطع. وافحص أطراف آلة القطع  
بشكل دوري بحثاً عن أطراف مفكوكة أو تالفة.  
يُوصى باستخدام سائل التقطيع للحفاظ على عمر آلات القطع  
لأطول وقت ممكن.

في حالة العمل على الأسطح المائلة والراسية وفوق الرأس  
يجب تأمين حامل المثقاب المغناطيسي بواسطة الحزام المورد  
مع المنتج.

يجب تركيب حزام الأمان بحيث يسقط حامل المثقاب بعيداً عن  
المستخدم في حالة تعطل المغناطيس.

يجب فحص حزام الأمان قبل كل استعمال عما إذا كان به  
أضرار أو آثار تقادم. لا تستخدم إزمعة الأمان التي بها أضرار!  
تحذيراً! هناك خطر الإصابة بحروق  
الأداة المستخدمة قد تسخن خلال الاستخدام.

تحذيراً! هناك خطر الإصابة بحروق  
عند استبدال الأداة  
عند وضع الجهاز

تجنب إزالة آلة القطع إلا عند إزالة القلب المعدني. قد يخرج  
القلب المعدني بطريق الخطأ.

## إيقاف أوتوماتيكي

بالإيقاف الأوتوماتيكي سوف يتم إيقاف الماكينة أوتوماتيكياً في  
حالة قوة الدوران المفاجئة الزائدة عن اللازم على المغناطيس.  
قم بالتوصل وإزالة سبب الإيقاف الأوتوماتيكي مع مراعاة  
إرشادات الأمان.

الأسباب الممكنة لذلك يمكن أن تكون هي:

- إنكسار المواد المستخدمة.
- زيادة حمل الآلة الكهربائية نتيجة تحرك الآلة إلى الأمام
- سطح مغناطيسي غير نظيف

قم بإيقاف وإعادة تشغيل الماكينة  
إذا كانت الآلة لا تزال قيد التشغيل فلن يُعاد تشغيلها بعد  
انقطاع الطاقة. لإعادة تشغيل الآلة يجب فصل الكهرباء عنها  
ثم توصيلها مجدداً.

## المحرك/ التشويق المغناطيسي

إن مزية المحرك/ التشويق المغناطيسي تمنع اتصال محرك  
المثقاب بالطاقة إذا كان المغناطيس غير متصل بالطاقة. كما  
يعمل أيضاً التشويق المغناطيسي للمحرك على عدم فصل  
الطاقة عن المغناطيس أثناء تشغيل المحرك.

## العربية

M18 FMDP	البيانات الفنية ماكينة ثقب بقلب مغناطيسي
4692 83 02... ... 000001-999999	إنتاج عدد
18 V	فولطية البطارية
400 min <sup>-1</sup> 690 min <sup>-1</sup>	أقصى سرعة دون وجود حمل
146 mm	أطوال الحركة النظامية
8,89 kN	أقصى طاقة للمغناطيس
19 mm Weldon	مستقبل عمود الدوران
38 mm	أقصى قطر للحفر مثقاب مزود بلقمة مركزية للثقوب
13 mm	أقصى قطر بلقمة مثقاب مصممة
13,9 ... 14,5 kg	الوزن وفقاً لنهج EPTA رقم 01/2014 (Li-Ion 2,0 Ah ... 12,0 Ah)
-18°C ... +50°C	درجة حرارة البيئة المحيطة المنصوح بها من أجل التشغيل
M18B..., M18HB...	البطاريات المنصوح بها
M12-18..., M1418 C6	جهاز الشحن المنصوح به
<b>معلومات الضوضاء</b> القيم التي تم قياسها محددة وفقاً للمعايير الأوروبية EN 62841 مستويات ضوضاء الجهاز، ترجيحاً بشكل نموذجي كالآتي:	
82,4 dB(A) 93,4 dB(A)	مستوى ضغط الصوت (الارتباب في القياس = 3 ديسيبل (أ)) مستوى شدة الصوت (الارتباب في القياس = 3 ديسيبل (أ)) <b>ارتد واقيات الأذن!</b>
<b>معلومات الاهتزاز</b> قيم الذبذبات الإجمالية (مجموع الكميات الموجهة في المحاور الثلاثة) محددة وفقاً للمعايير الأوروبية EN 62841.	
1,69 m/s <sup>2</sup> 1,5 m/s <sup>2</sup>	قيمة انبعاث الذبذبات (a <sub>h</sub> (Li-Ion 2,0 Ah) الارتباب في القياس

#### تحذير

تم قياس مستوى انبعاث الذبذبات الموجود بوثيقة المعلومات هذه وفقاً للاختبار القياسي وفقاً للمعايير الأوروبية EN 62841 ويمكن استخدامه لمقارنة جهاز بغيره. كما يمكن استخدامه لعرض تقييم تمهيدي.

يمثل مستوى انبعاث الذبذبات المعلن عنه تطبيقات الجهاز الرئيسية. بالرغم من ذلك، فإنه إذا ما تم استخدام الجهاز لتطبيقات مختلفة، فبملاحظات مختلفة أو لم يتم المحافظة عليه، فقد يختلف انبعاث الذبذبات. قد يزيد ذلك بصورة كبيرة من مستوى التعرض للذبذبات طوال فترة العمل الإجمالية.

يجب للوضع في الاعتبار عند تقدير مستوى التعرض للذبذبات مرات إيقاف الجهاز أو تشغيله لكن دون استخدامه في القيام بمهمة. فقد يقل ذلك بصورة كبيرة من مستوى التعرض للذبذبات طوال فترة العمل الإجمالية.

تعرف على معايير السلامة الإضافية لحماية المشغل من آثار الذبذبات مثل: صيانة الجهاز والملحقات، الحفاظ على دفة الأيدي، وتنظيم نماذج العمل.

تُبث قطعة العمل أو قم بتأمينها. لتقليل خطر الإصابة، لا تقم بحمل قطعة العمل باليد.

تحذيراً! تسبب الموصلات المبللة صدمة كهربائية. لا تستخدم سائل تبريد القطع في الوضع العمودي أو أي وضع آخر يتيح لوسائل التبريد القطع الدخول إلى المحرك أو مجموعة المفاتيح.

تحذيراً! تحذيراً! لتجنب أخطار الحريق أو الإصابة أو الإضرار بالمنتج التي تنجم عن الماس الكهربائي، لا تغمر الأداة أو البطارية القابلة للاستبدال أو جهاز الشحن في السوائل وأحرص على أن لا تصل السوائل إلى داخل الجهاز والبطارية. السوائل المؤدية للتآكل أو الموصلة للتيار الكهربائي، مثل الماء المالح ومركبات كيميائية معينة ومواد التبييض أو المنتجات التي تشتمل على مواد تبيض، يمكن أن تؤدي إلى حدوث ماس كهربائي.

لا تقم أبداً بفتح قفل البطارية والشواحن ولا تخزنهم إلا في غرف جافة. وحافظ عليها جاف طوال الوقت.

لتجنب الإصابة والتلف، لا تغمر الأداة أو البطارية القابلة للإزالة أو الشاحن في سائل أو تسمح للسائل باختراقها.

#### تحذير!

اقرأ جميع تعليمات السلامة والإرشادات والشروح والبيانات المرفقة مع الجهاز. قد يؤدي الفشل في مراعاة التحذيرات والتعليمات إلى التعرض للإصابة بصدمة كهربائية أو الحريق و/أو إصابة خطيرة.  
**احتفظ بجميع التنبيهات والتعليمات للرجوع إليها مستقبلاً.**

#### ماكينة ثقب بقلب مغناطيسي تعليمات السلامة

استخدم دائماً درع الوقاية عند تشغيل الآلة. استخدم معدة الوقاية. ارتد دائماً نظارة الوقاية عند العمل بالآلة. ينصح باستخدام الملابس الواقية مثل الكمامات الواقية من الغبار، والقفازات، والأحذية القوية غير المنزلقة، والخوذات، وواقيات الأذن.

لا تصل أبداً إلى منطقة الخطر للألة عندما تكون قيد التشغيل.

لا يجب إزالة النشارة والشطايا أثناء تشغيل الآلة.

لا تستخدم ملحفاً نالفاً.



Copyright 2020  
Techtronic Industries GmbH  
Max-Eyth-Straße 10  
71364 Winnenden  
Germany  
+49 (0) 7195-12-0  
[www.milwaukeeetool.eu](http://www.milwaukeeetool.eu)

Techtronic Industries (UK) Ltd  
Fieldhouse Lane  
Marlow Bucks SL7 1HZ  
UK



(11.20)  
**4931 4250 95**