

**CUBIC 1 VX**

172

11.18

# SFA



## SANICUBIC® 1 VX

FR NOTICE D'INSTALLATION

UK INSTALLATION INSTRUCTIONS

DE INSTALLATIONSHINWEISE

IT STRUZIONI PER L'INSTALLAZIONE

ES MANUAL DE INSTALACIÓN

PT MANUAL DE INSTALAÇÃO

NL INSTALLATIE VOORSCHRIFTEN

SE INSTALLATIONSANVISNING

DK INSTALLATIONSVEJLEDNING

NO INSTALLASJONSANVISNING

FI ASENNUSOHJEET

HU FELSZERELÉSI ÉS KEZELÉSI ÚTMUTATÓ

PL INSTRUKCJA INSTALACJI

RU ИНСТРУКЦИЯ ПО МОНТАЖУ И ЭКСПЛУАТАЦИИ

RO MANUAL DE INSTALARE

CZ NÁVOD K INSTALACI A POUŽÍVÁNÍ

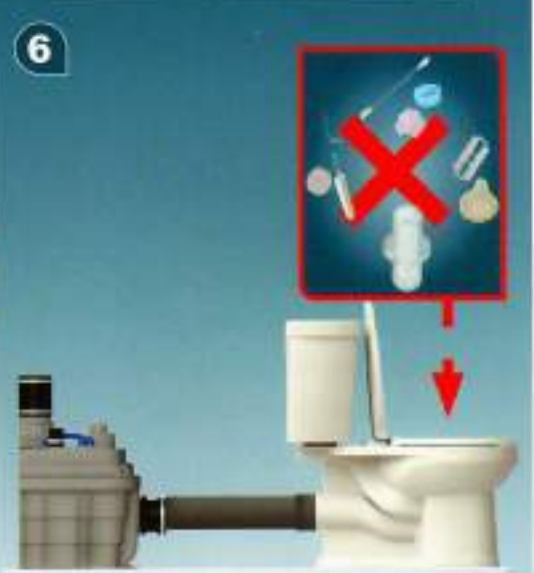
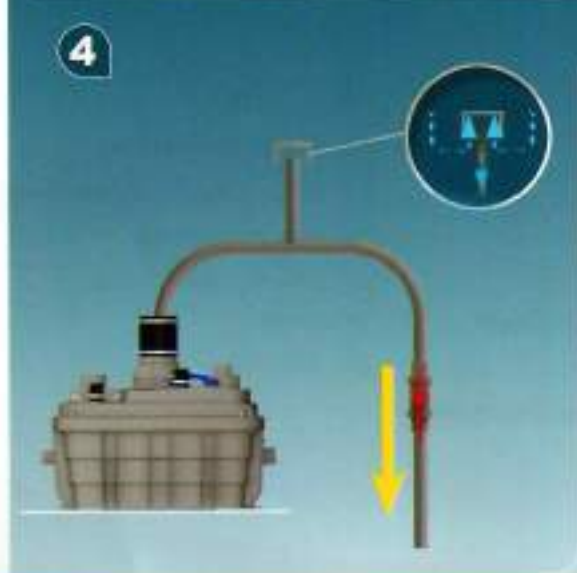
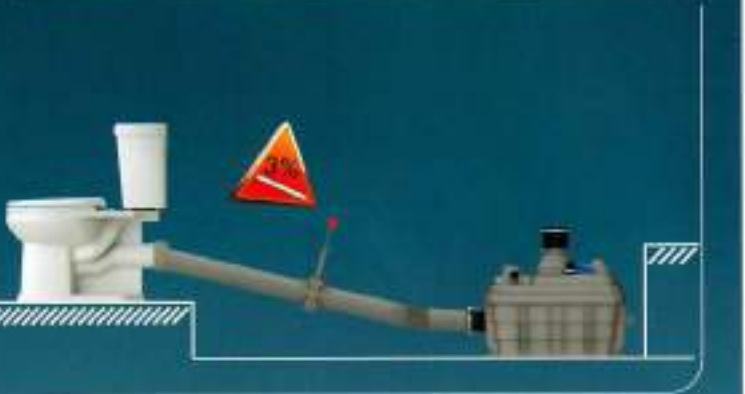
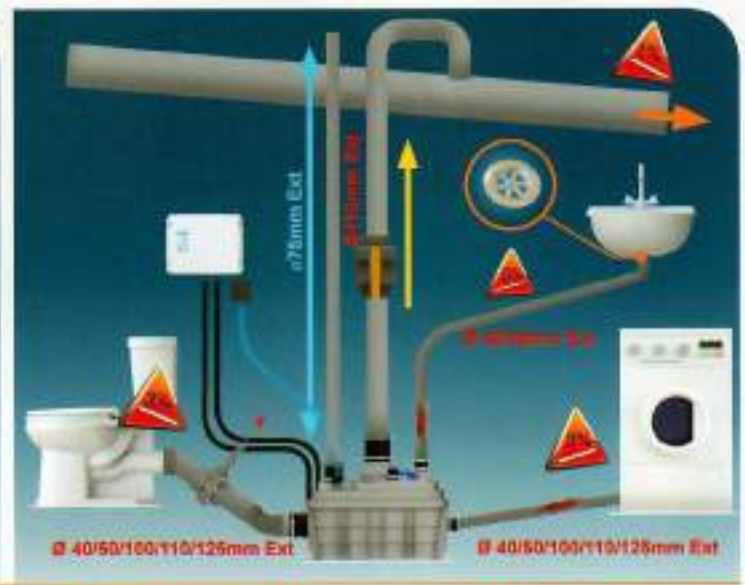
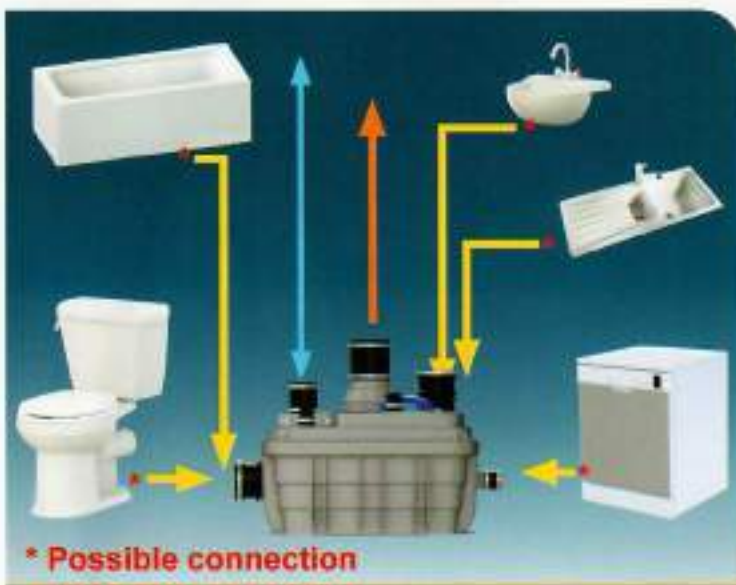
TR KURULUM KILAVUZU

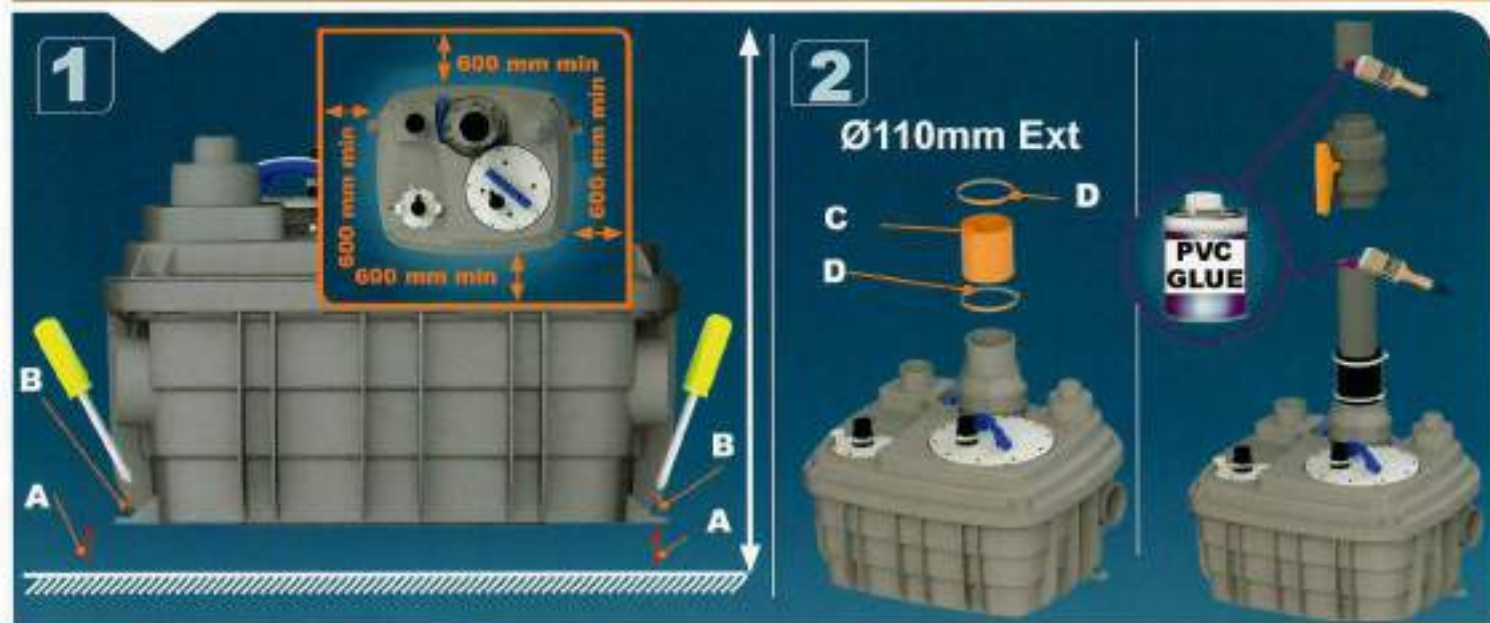
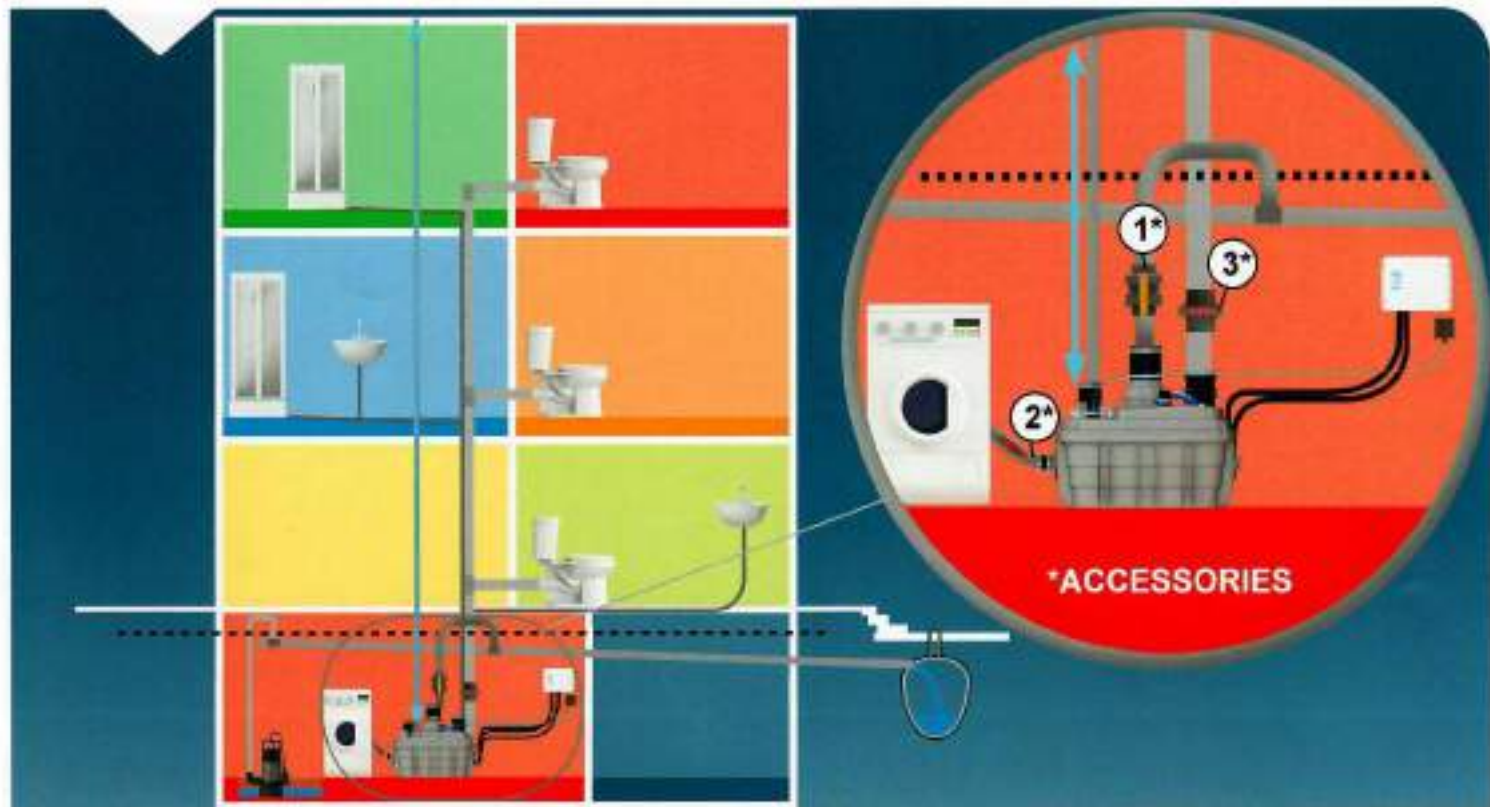
EL ΟΔΗΓΙΕΣ ΕΓΚΑΤΑΣΤΑΣΗΣ

CN 安装与使用

KR 설치내용서

CE





3

Ø 40/50mm Ext



4

Ø 100/110/125mm Ext



5



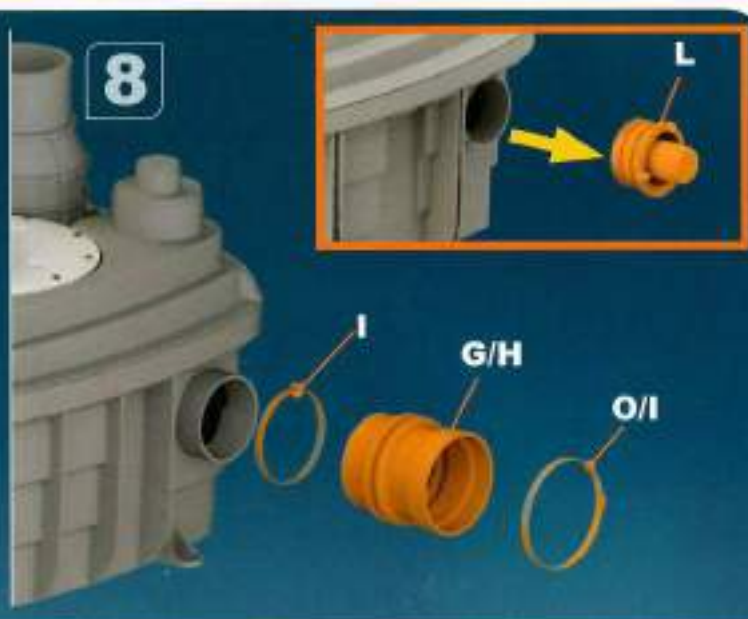
6



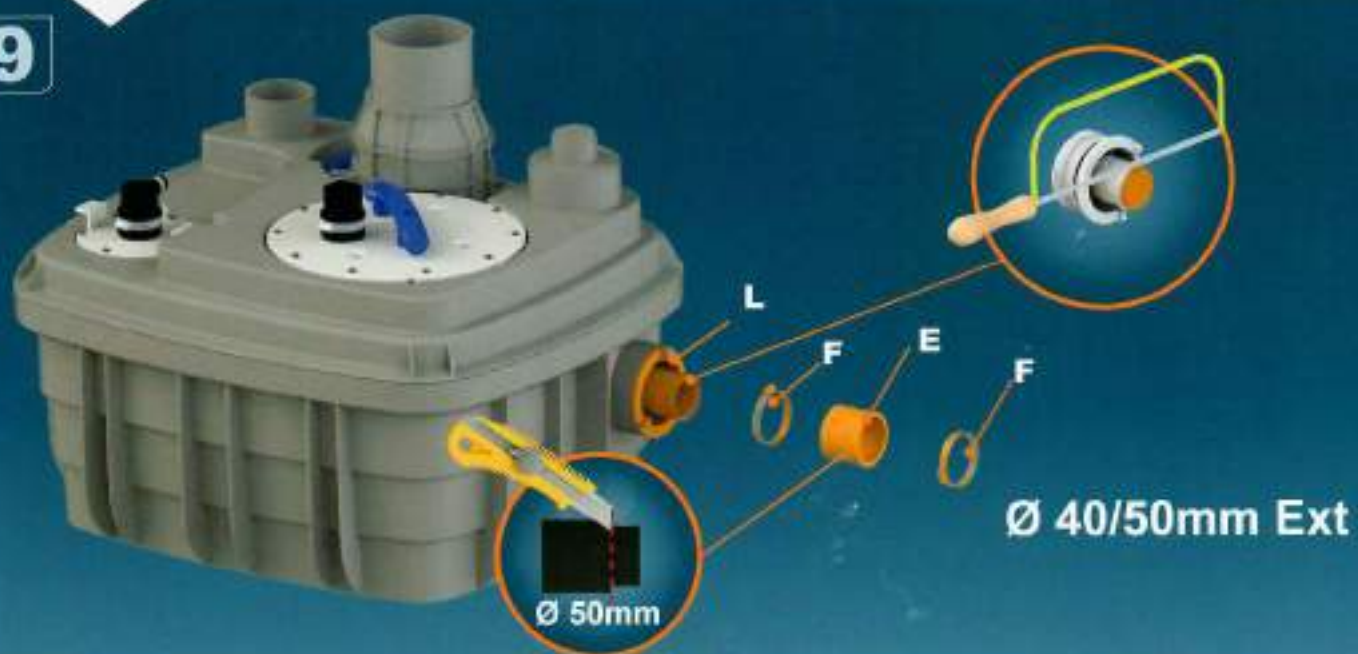
7



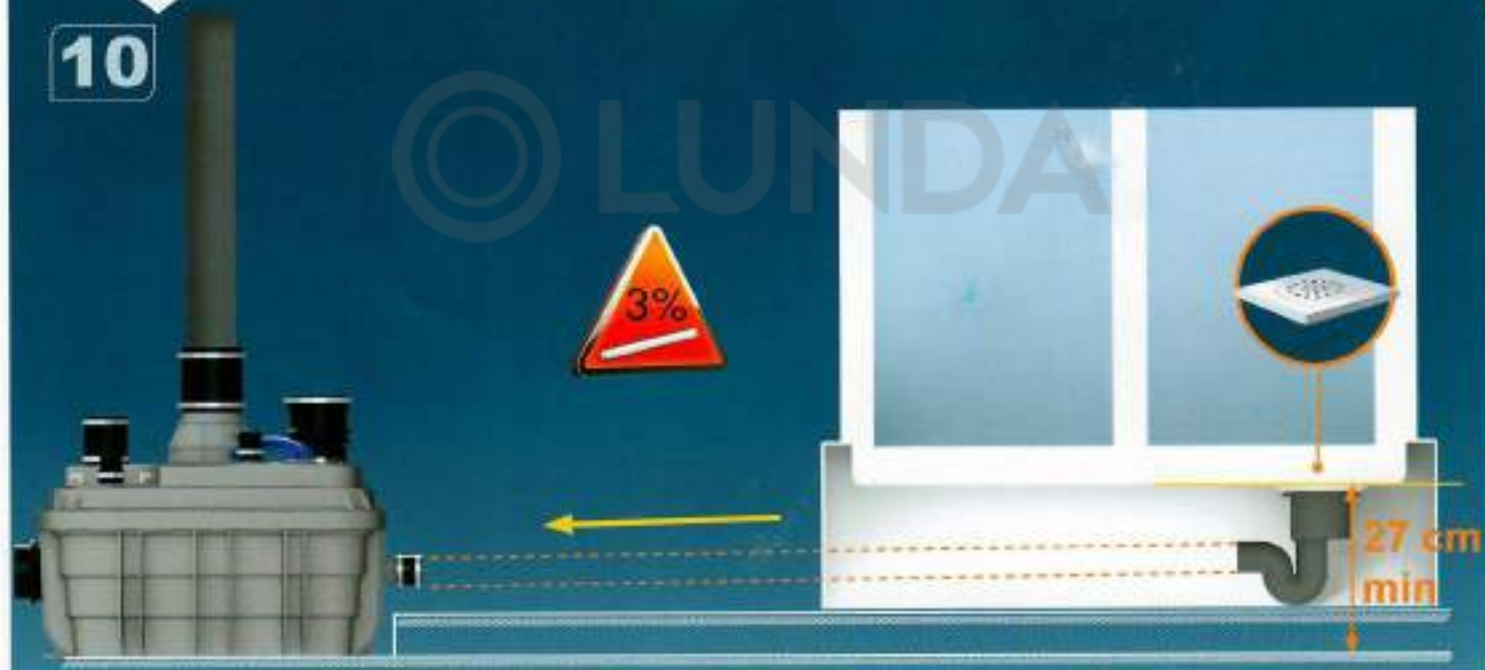
8



9



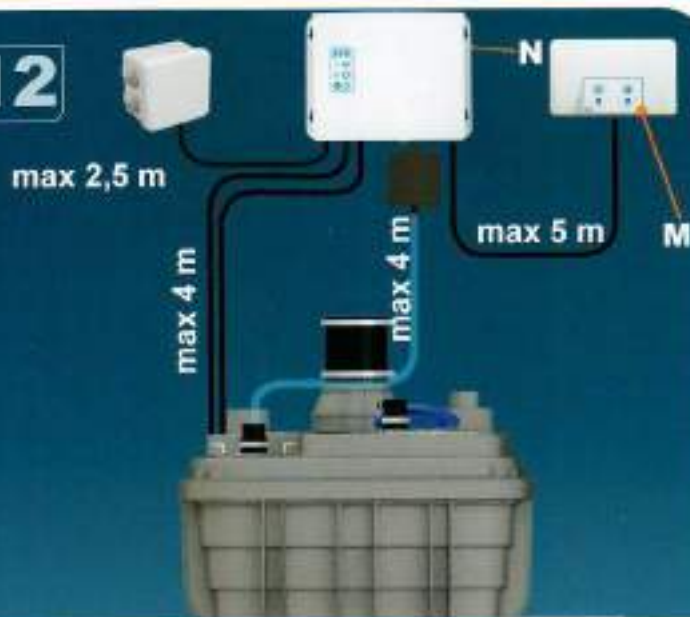
10

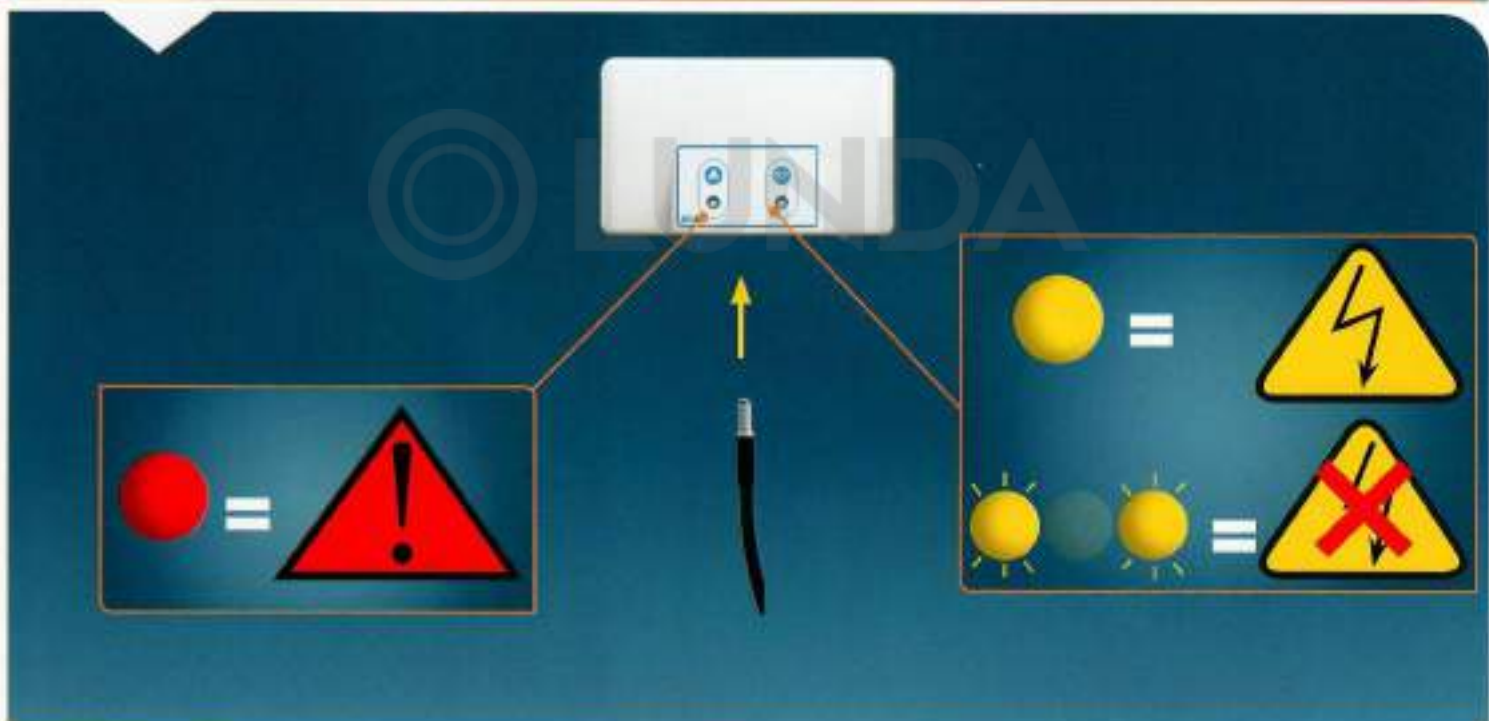
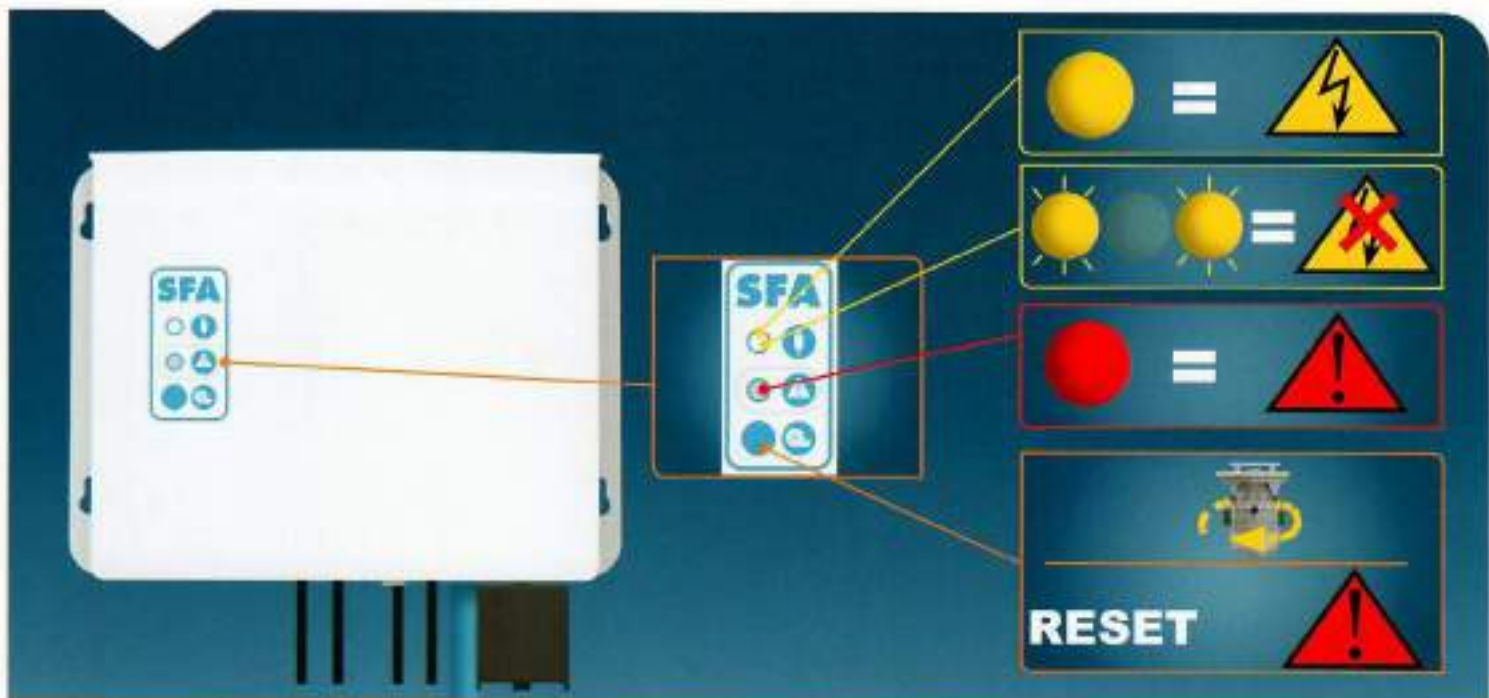


11



12







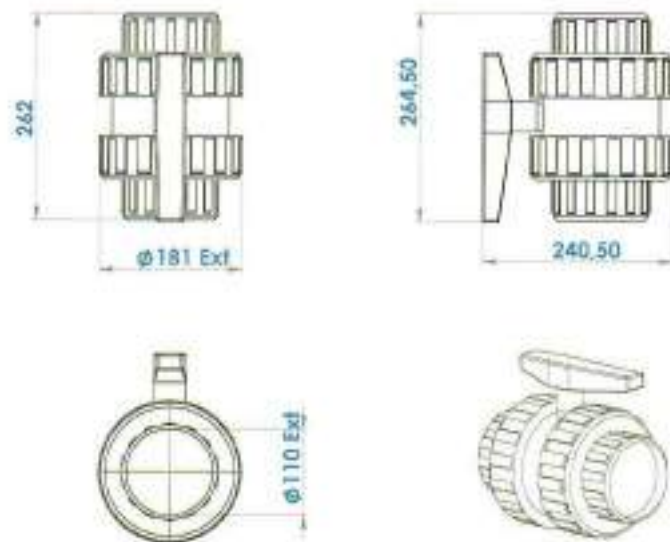


# ACCESSORIES OPTION

1



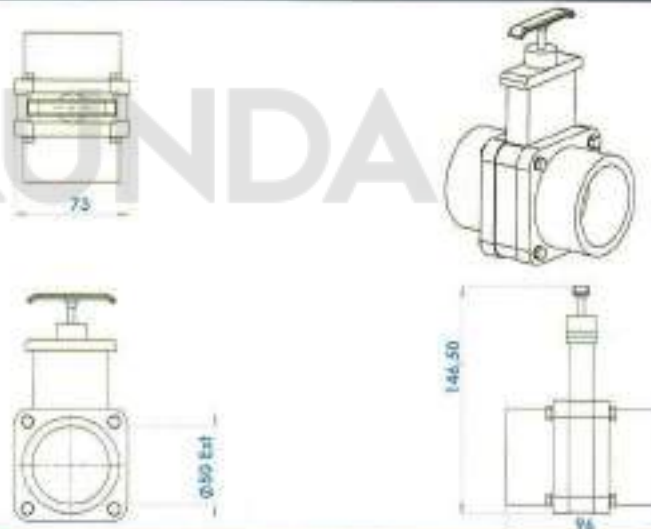
**Ø110mm Ext**  
For discharge pipe



2



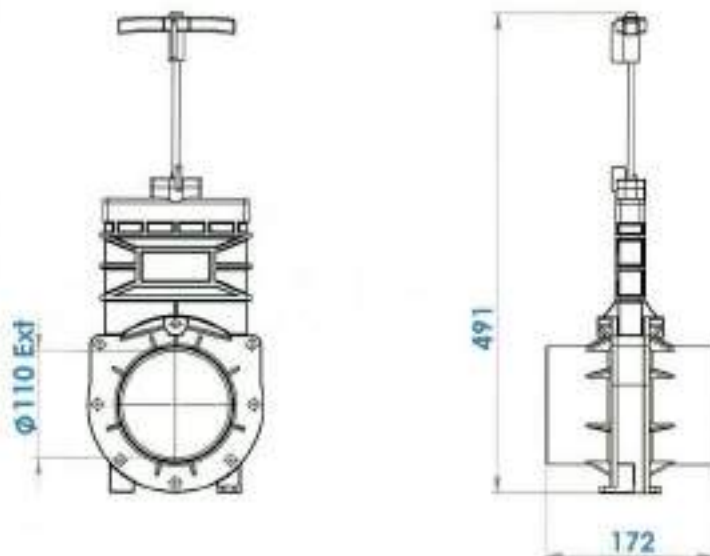
**Ø50mm Ext**  
For inlet pipe

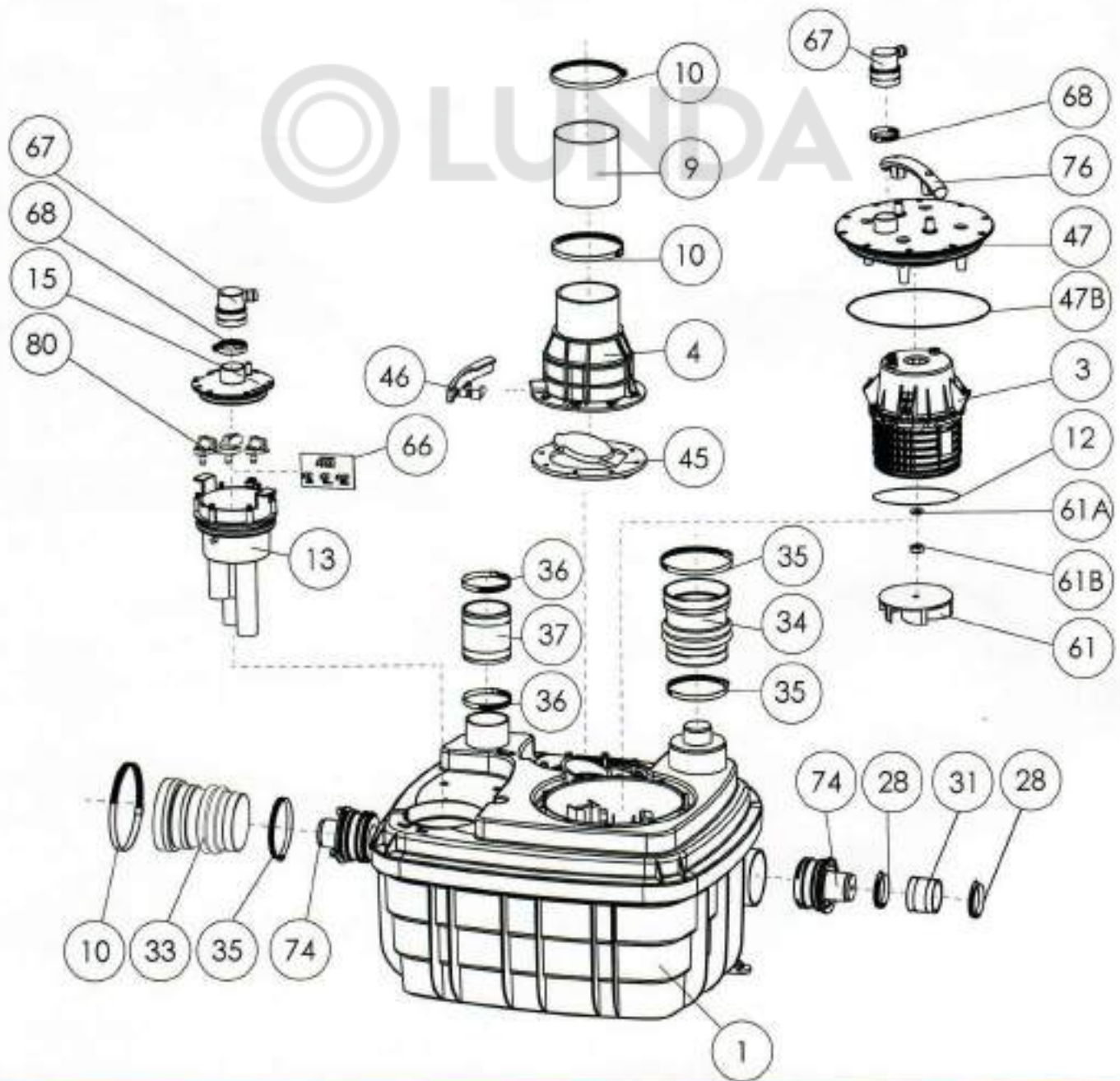
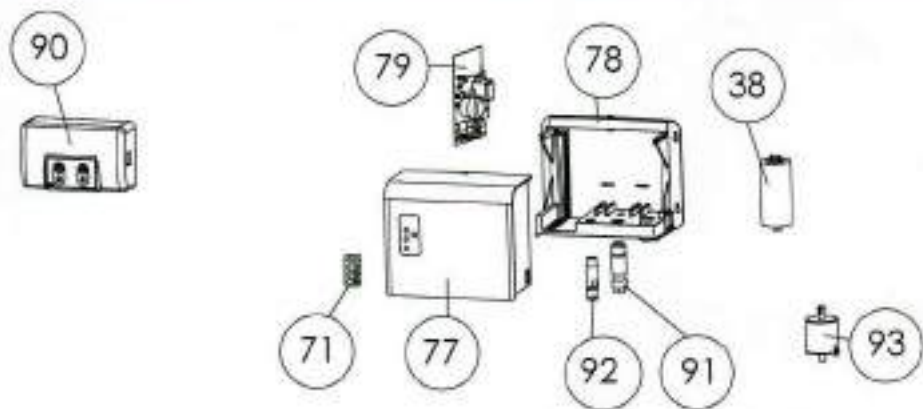


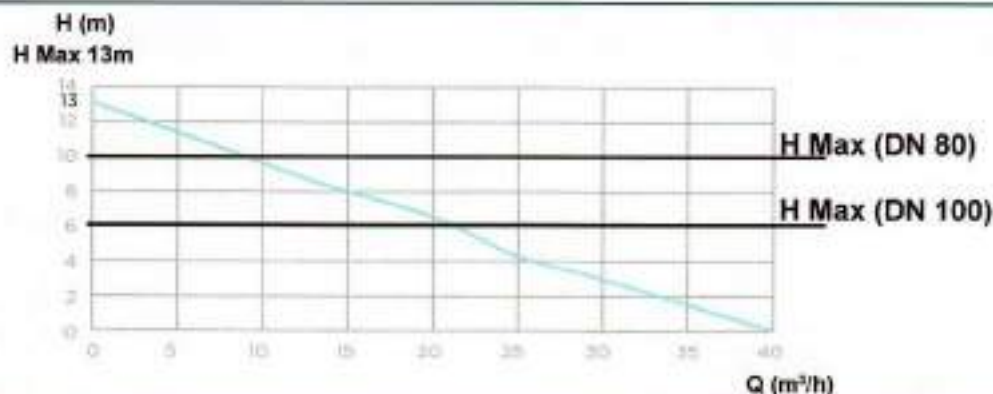
3



**Ø 100mm  
or 110mm Ext.**  
For inlet pipe



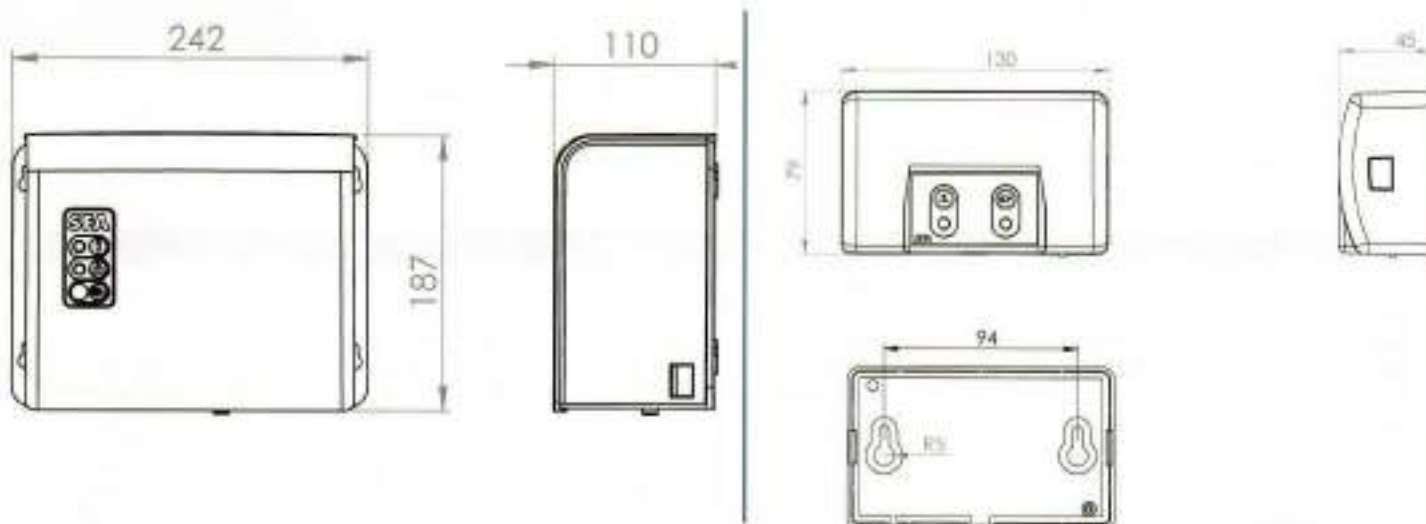


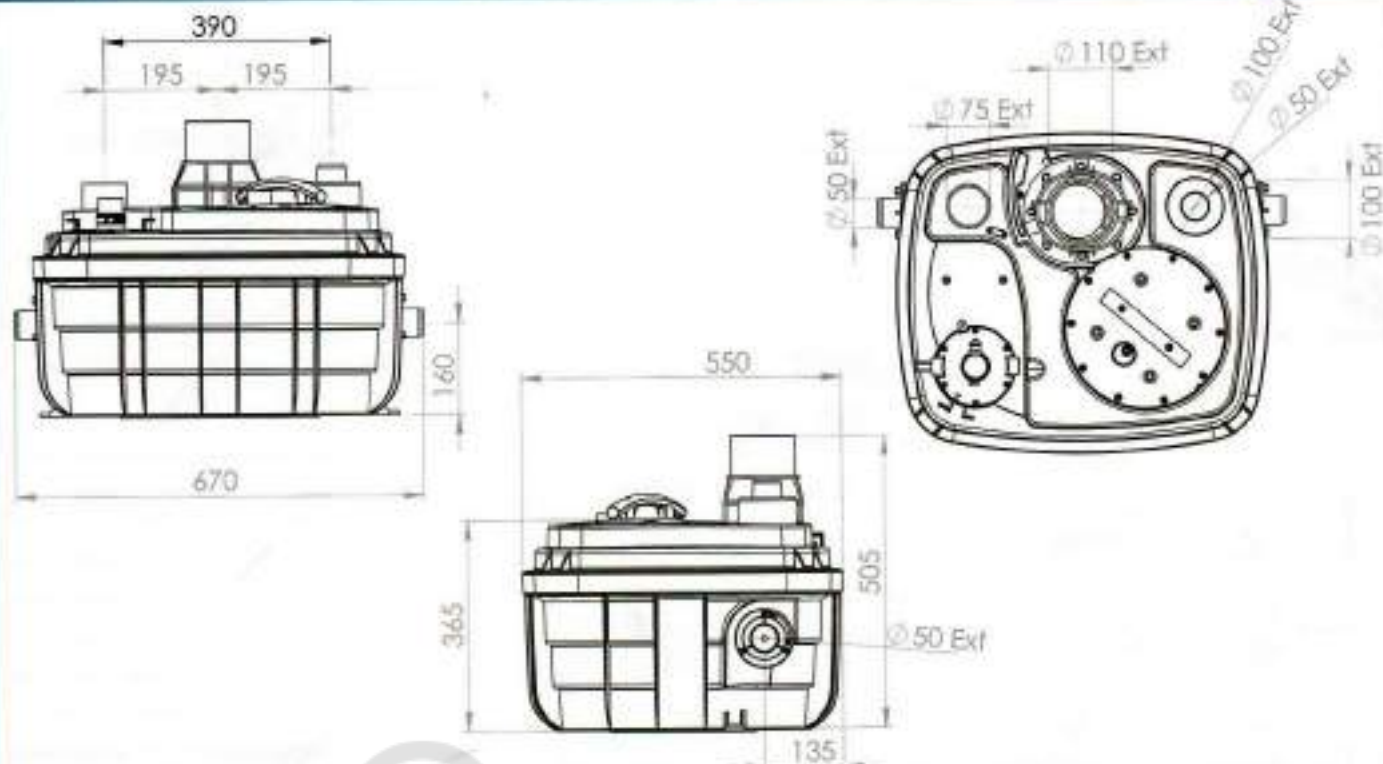


## SANICUBIC 1 VX EN 12050-1

### Data specifications

Type of current	1 phase
Voltage	220-240V
Frequency	50-60 Hz
Motor rating	2 kW
Current	8 A
Cable (4m) sensor - control box	H07RN-F 3X1,5
Cable (4m) engine - control box	H07RN-F 4G1,5
Cable (2,5m) Power supply cable	H07RN-F 3G1,5
Protection code	Station: IP68, control box: IPX4
Max. discharge height (Q=0m <sup>3</sup> /h)	13 m
Max. flow rate	40 m <sup>3</sup> /h
Max temperature	35°C (70°C , 5 min)
Free passage	50 mm
Tank volume	60 L
Useful volume	21 L
ON / OFF level activation	165 mm /65 mm
ON alarm activation	235 mm
Weight including accessories	30 kg
Discharge	Øext 110 mm
Inlet	Øext 125,110,100,50,40 mm
Ventilation	Øext 75 mm





#### FRANCE

**SOCIÉTÉ FRANÇAISE D'ASSAINISSEMENT**  
41 bis avenue Blosquât - 75007 Paris  
Tel. +33 1 44 82 39 00  
Fax +33 1 44 82 39 01

#### UNITED KINGDOM

**SANIFLO Ltd.**  
Howard House, The Runway  
South Pluisip Middle,  
HVA 6 SE  
Tel. +44 208 842 0030  
Fax +44 208 842 1671

#### IRELAND

**SANIFLO Ltd**  
IDA Industrial Estate  
Edenderry - County Offaly  
Tel. +353 45 9735 102  
Fax +353 45 97 33 093

#### AUSTRALIA

**SANIFLO (Australia) Pty Ltd**  
Unit 9/10, 25 Gibbes Street  
Cherrywood NSW 2007  
Tel. +61 298 825 330  
Fax +61 298 825 950

#### DEUTSCHLAND

**SFA SANIFLO GmbH**  
Waldstr. 23 Geb. 95 - 69128  
Dietzenbach  
Tel. (060 74) 30828-0  
Fax (060 74) 30828-90

#### ITALIA

**SFA ITALIA spa**  
Via dei Bonesseri, 9  
20010 Sidano (PV)  
Tel. 03 82 81 81  
Fax 03 82 81 8200

#### ESPAÑA

**SFA S.L.**  
C/ Viriato 1 - P.I. Can Viriato  
08130 Sta. - Porçel de Moya - Barcelona  
Tel. +34 93 544 60 70  
Fax +34 93 482 18 96

#### PORTUGAL

**SFA, Lda.**  
Santa Barbara Park, av. 01-1997-10-069 SAMPA  
Tel. +35 21 911 27 85  
Fax +35 21 957 70 00

#### POCCNR

**SFA POCOM**  
18100 Muzica - Romania  
Tel. (405) 258 29 51  
Fax. (405) 258 29 51

#### SUISSE SCHWEIZ SWITZERLAND

**SFA SANIFLO AG**  
Vorsiedl 4  
3290 Wangen a. A.  
Tel. +41 (0)32 631 04 74  
Fax +41 (0)32 631 04 75

#### BENELUX

**SFA BENELUX B.V.**  
Industrieweg 10-d,  
8101 WB ECHT  
Tel. +31 475 487100  
Fax +31 475 482515

#### SVERIGE

**SANIFLO AB**  
Box 797  
S-191 27 Gallands  
Tel. +46 (0)8-404 15 30  
info@saniflo.se

#### POLSKA

**SFA POLAND Sp. z o.o.**  
ul. Rakocicka 168  
01-251 Warszawa  
Tel. (+4822) 732 00 32  
Fax (+4822) 751 35 16

#### ČESKÁ REPUBLIKA

**SFA-SANIFLO, spol. s r.o.**  
Sokolovská 445/212, 180 00 Praha 8  
Tel. +420 256 712 855  
Fax. +420 256 712 856

#### ROMANIA

**SFA SANIFLO S.R.L.**  
145B Filipeni Street District 3  
31177 BUCURESTI  
Tel. +40 256 245 092  
Fax +40 256 245 029

#### TÜRKIYE

**SFA SANIFLO LTD STI**  
Mecidiye Cad. No:36-B Sarıcahan APT  
34034 MECLİYSÖY - İSTANBUL  
Tel. +90 212 275 30 88  
Fax. +90 212 275 90 59

#### CHINA

**SFA 中国**  
上海浦东新区龙阳路333弄3号德业  
广场恒安大厦27C (2002041)  
Tel. +86(0)21 6218 8069  
Fax. +86(0)21 6218 8970

#### KOREA

www.sfa.biz  
sales@saniflo-korea.kr

#### South Africa

**Saniflo Africa (PTY) Ltd**  
Unit A6, Spearhead Business Park  
Cnr. Freedom Way & Montague Drive  
Montague Gardens, 7441  
Tel. +27 (0)21 295 00 28  
www.saniflo.co.za

#### BRAZIL

**SFA Brasil Equipamentos Sanitários,**  
Rua Maria Figueiredo 505  
CEP 04032-003 SAO PAULO / SP  
Tel. (11) 3062-2292  
sant@saniflo.com.br

#### NEW ZEALAND

**Saniflo New Zealand Ltd**  
PO Box 283 Royal Oak,  
Auckland 1340  
Tel. 09 290 9919  
Fax. +61 2 9882 9830

### SERVICE HELPLINES

	TEL	FAX		
France	01 44 82 25 55	03 44 94 46 19	Benelux	+31 475 487100
United Kingdom	08457 650011 (Call from a land line)	020 8842 1671	Norge	+46 (0)8-404 15 30
Ireland	1850 23 24 25 (LOW CALL)	+353 46 97 33093	Norge	+46 (0)8-404 15 30
Australia	+1300 554 779	+61.2.0882.8950	Polska	(+4822) 732 00 33
Deutschland	0800 82 27 82 0	(060 74) 30828-90	POCCNR	(495) 258 29 51
Italia	0382 6181	+39 0362 618200	Česká Republika	+420 256 712 855
España	+34 93 544 60 76	+34 93 482 18 96	România	+40 256 245 092
Portugal	+35 21 911 27 85	+35 21 957 70 00	Türkiye	+90 212 275 30 88
Suisse Schweiz Svizzera	+41 (0)32 631 04 74	+41 (0)32 631 04 75	中国	+86(0)21 6218 8069
			Brazil	(11) 3062-2292

Service information : [www.sfa.biz](http://www.sfa.biz)