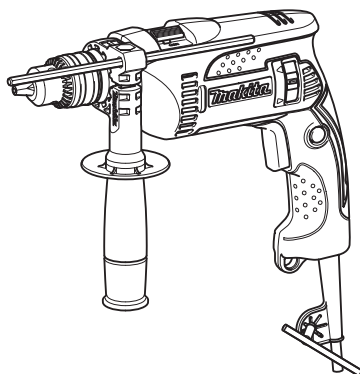




EN	Hammer Drill	INSTRUCTION MANUAL	4
RU	Ударная дрель	РУКОВОДСТВО ПО ЭКСПЛУАТАЦИИ	9
KK	Соқпалы бұрғы	ПАЙДАЛАНУ ЖӨНІНДЕГІ НҰСҚАУЛЫҚ	15



HP1640
HP1640F
HP1641
HP1641F



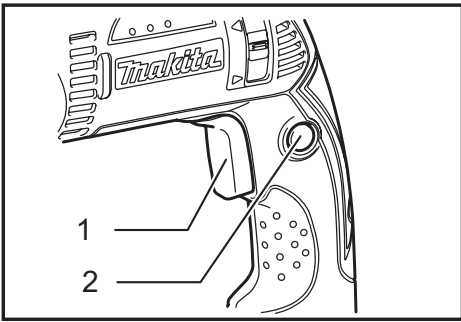


Fig.1

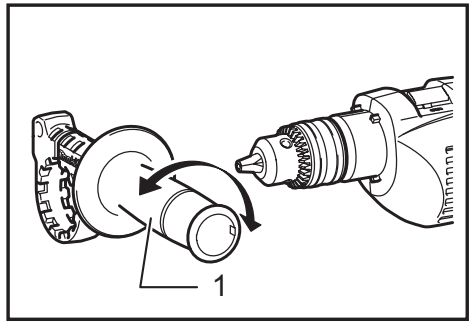


Fig.5

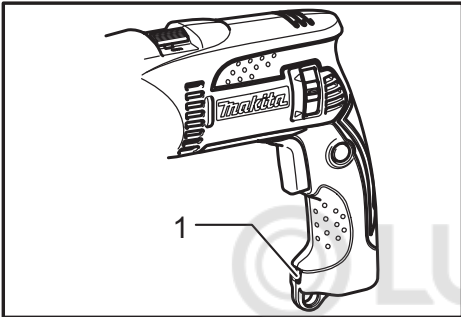


Fig.2

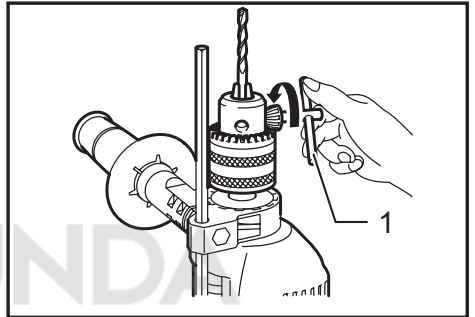


Fig.6

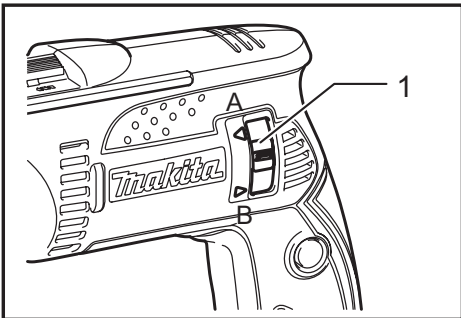


Fig.3

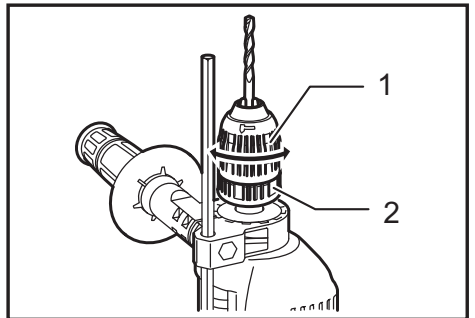


Fig.7

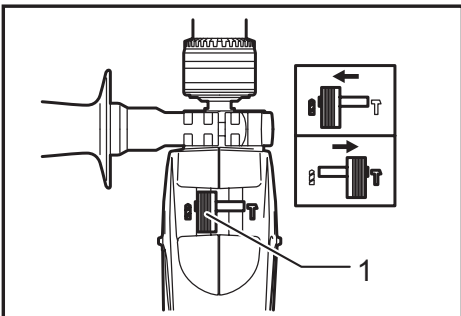


Fig.4

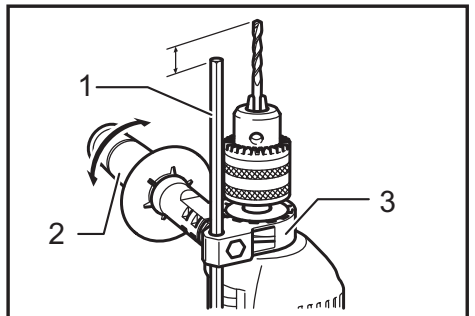


Fig.8

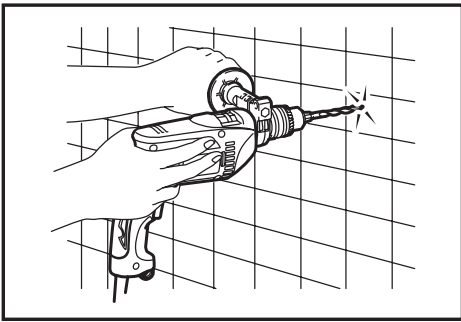


Fig.9

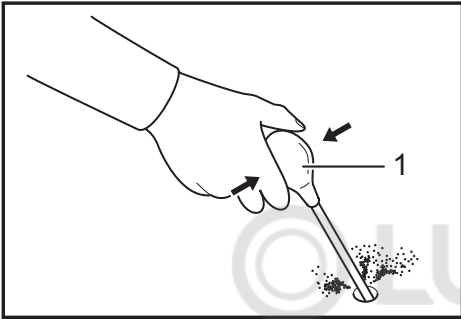


Fig.10

SPECIFICATIONS

Model		HP1640/HP1640F/HP1641/HP1641F
Capacities	Concrete	16 mm
	Steel	13 mm
	Wood	30 mm
No load speed (min ⁻¹)		0 - 2,800
Blows per minute		0 - 44,800
Overall length		303 mm
Net weight		2.0 kg
Safety class		□/II

- Due to our continuing program of research and development, the specifications herein are subject to change without notice.
- Specifications may differ from country to country.
- Weight according to EPTA-Procedure 01/2003

Symbols

The following show the symbols used for the equipment. Be sure that you understand their meaning before use.



Read instruction manual.



DOUBLE INSULATION



Only for EU countries
Do not dispose of electric equipment together with household waste material! In observance of the European Directive, on Waste Electric and Electronic Equipment and its implementation in accordance with national law, electric equipment that have reached the end of their life must be collected separately and returned to an environmentally compatible recycling facility.

Intended use

The tool is intended for impact drilling in brick, concrete and stone as well as for drilling without impact in wood, metal, ceramic and plastic.

Power supply

The tool should be connected only to a power supply of the same voltage as indicated on the nameplate, and can only be operated on single-phase AC supply. They are double-insulated in accordance with European Standard and can, therefore, also be used from sockets without earth wire.

For Model HP1640, HP1641, HP1641F

Noise

The typical A-weighted noise level determined according to EN60745:

Sound pressure level (L_{pA}): 92 dB(A)

Sound power level (L_{WA}): 103 dB(A)

Uncertainty (K): 3 dB(A)

Wear ear protection

Vibration

The vibration total value (tri-axial vector sum) determined according to EN60745:

Work mode: impact drilling into concrete

Vibration emission ($a_{h,10}$): 19 m/s²

Uncertainty (K): 2.0 m/s²

Work mode: drilling into metal

Vibration emission ($a_{h,D}$): 2.5 m/s²

Uncertainty (K): 1.5 m/s²

NOTE: The declared vibration emission value has been measured in accordance with the standard test method and may be used for comparing one tool with another.

NOTE: The declared vibration emission value may also be used in a preliminary assessment of exposure.

⚠ WARNING: The vibration emission during actual use of the power tool can differ from the declared emission value depending on the ways in which the tool is used.

⚠ WARNING: Be sure to identify safety measures to protect the operator that are based on an estimation of exposure in the actual conditions of use (taking account of all parts of the operating cycle such as the times when the tool is switched off and when it is running idle in addition to the trigger time).

For European countries only

EC Declaration of Conformity

Makita declares that the following Machine(s):

Designation of Machine:

Hammer Drill

Model No./ Type: HP1640,HP1641,HP1641F

Conforms to the following European Directives:

2006/42/EC

They are manufactured in accordance with the following standard or standardized documents:

EN60745

The technical file in accordance with 2006/42/EC is available from:

Makita, Jan-Baptist Vinkstraat 2, 3070, Belgium

31.12.2013



Yasushi Fukaya
Director

Makita, Jan-Baptist Vinkstraat 2, 3070, Belgium

General Power Tool Safety Warnings

⚠WARNING Read all safety warnings and all instructions. Failure to follow the warnings and instructions may result in electric shock, fire and/or serious injury.

Save all warnings and instructions for future reference.

The term "power tool" in the warnings refers to your mains-operated (corded) power tool or battery-operated (cordless) power tool.

Work area safety

1. **Keep work area clean and well lit.** Cluttered or dark areas invite accidents.
2. **Do not operate power tools in explosive atmospheres, such as in the presence of flammable liquids, gases or dust.** Power tools create sparks which may ignite the dust or fumes.
3. **Keep children and bystanders away while operating a power tool.** Distractions can cause you to lose control.

Electrical safety

4. **Power tool plugs must match the outlet. Never modify the plug in any way. Do not use any adapter plugs with earthed (grounded) power tools.** Unmodified plugs and matching outlets will reduce risk of electric shock.
5. **Avoid body contact with earthed or grounded surfaces such as pipes, radiators, ranges and refrigerators.** There is an increased risk of electric shock if your body is earthed or grounded.
6. **Do not expose power tools to rain or wet conditions.** Water entering a power tool will increase the risk of electric shock.
7. **Do not abuse the cord. Never use the cord for carrying, pulling or unplugging the power tool. Keep cord away from heat, oil, sharp edges or moving parts.** Damaged or entangled cords increase the risk of electric shock.

8. **When operating a power tool outdoors, use an extension cord suitable for outdoor use.** Use of a cord suitable for outdoor use reduces the risk of electric shock.
9. **If operating a power tool in a damp location is unavoidable, use a residual current device (RCD) protected supply.** Use of an RCD reduces the risk of electric shock.
10. **Use of power supply via a RCD with a rated residual current of 30 mA or less is always recommended.**

Personal safety

11. **Stay alert, watch what you are doing and use common sense when operating a power tool. Do not use a power tool while you are tired or under the influence of drugs, alcohol or medication.** A moment of inattention while operating power tools may result in serious personal injury.
12. **Use personal protective equipment. Always wear eye protection.** Protective equipment such as dust mask, non-skid safety shoes, hard hat, or hearing protection used for appropriate conditions will reduce personal injuries.
13. **Prevent unintentional starting. Ensure the switch is in the off-position before connecting to power source and/or battery pack, picking up or carrying the tool.** Carrying power tools with your finger on the switch or energising power tools that have the switch on invites accidents.
14. **Remove any adjusting key or wrench before turning the power tool on.** A wrench or a key left attached to a rotating part of the power tool may result in personal injury.
15. **Do not overreach. Keep proper footing and balance at all times.** This enables better control of the power tool in unexpected situations.
16. **Dress properly. Do not wear loose clothing or jewellery. Keep your hair, clothing, and gloves away from moving parts.** Loose clothes, jewellery or long hair can be caught in moving parts.
17. **If devices are provided for the connection of dust extraction and collection facilities, ensure these are connected and properly used.** Use of dust collection can reduce dust-related hazards.

Power tool use and care

18. **Do not force the power tool. Use the correct power tool for your application.** The correct power tool will do the job better and safer at the rate for which it was designed.
19. **Do not use the power tool if the switch does not turn it on and off.** Any power tool that cannot be controlled with the switch is dangerous and must be repaired.
20. **Disconnect the plug from the power source and/or the battery pack from the power tool before making any adjustments, changing accessories, or storing power tools.** Such preventive safety measures reduce the risk of starting the power tool accidentally.
21. **Store idle power tools out of the reach of children and do not allow persons unfamiliar with the power tool or these instructions to operate the power tool.** Power tools are dangerous in the hands of untrained users.

22. **Maintain power tools. Check for misalignment or binding of moving parts, breakage of parts and any other condition that may affect the power tool's operation. If damaged, have the power tool repaired before use.** Many accidents are caused by poorly maintained power tools.
23. **Keep cutting tools sharp and clean.** Properly maintained cutting tools with sharp cutting edges are less likely to bind and are easier to control.
24. **Use the power tool, accessories and tool bits etc. in accordance with these instructions, taking into account the working conditions and the work to be performed.** Use of the power tool for operations different from those intended could result in a hazardous situation.

Service

25. **Have your power tool serviced by a qualified repair person using only identical replacement parts.** This will ensure that the safety of the power tool is maintained.
26. **Follow instruction for lubricating and changing accessories.**
27. **Keep handles dry, clean and free from oil and grease.**

HAMMER DRILL SAFETY WARNINGS

1. **Wear ear protectors when impact drilling.** Exposure to noise can cause hearing loss.
2. **Use auxiliary handle(s), if supplied with the tool.** Loss of control can cause personal injury.
3. **Hold power tool by insulated gripping surfaces, when performing an operation where the cutting accessory may contact hidden wiring or its own cord.** Cutting accessory contacting a "live" wire may make exposed metal parts of the power tool "live" and could give the operator an electric shock.
4. **Always be sure you have a firm footing. Be sure no one is below when using the tool in high locations.**
5. **Hold the tool firmly with both hands.**
6. **Keep hands away from rotating parts.**
7. **Do not leave the tool running. Operate the tool only when hand-held.**
8. **Do not touch the bit or the workpiece immediately after operation; they may be extremely hot and could burn your skin.**
9. **Some material contains chemicals which may be toxic. Take caution to prevent dust inhalation and skin contact. Follow material supplier safety data.**

SAVE THESE INSTRUCTIONS.

⚠WARNING: DO NOT let comfort or familiarity with product (gained from repeated use) replace strict adherence to safety rules for the subject product. MISUSE or failure to follow the safety rules stated in this instruction manual may cause serious personal injury.

FUNCTIONAL DESCRIPTION

⚠CAUTION:

- Always be sure that the tool is switched off and unplugged before adjusting or checking function on the tool.

Switch action

► Fig.1: 1. Switch trigger 2. Lock button

⚠CAUTION:

- Before plugging in the tool, always check to see that the switch trigger actuates properly and returns to the "OFF" position when released.
- Switch can be locked in "ON" position for ease of operator comfort during extended use. Apply caution when locking tool in "ON" position and maintain firm grasp on tool.

To start the tool, simply pull the switch trigger. Tool speed is increased by increasing pressure on the switch trigger. Release the switch trigger to stop.

For continuous operation, pull the switch trigger and then push in the lock button.

To stop the tool from the locked position, pull the switch trigger fully, then release it.

Lighting up the lamps

For Model HP1640F,HP1641F

► Fig.2: 1. Lamp

⚠CAUTION:

- Do not look in the light or see the source of light directly.

To turn on the lamp, pull the trigger. Release the trigger to turn it off.

NOTE:

- Use a dry cloth to wipe the dirt off the lens of lamp. Be careful not to scratch the lens of lamp, or it may lower the illumination.
- Never use gasoline or thinner to clean the lens of the lamp, or it will be damaged.

Reversing switch action

► Fig.3: 1. Reversing switch

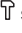
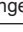
This tool has a reversing switch to change the direction of rotation. Move the reversing switch to the ◁ position (A side) for clockwise rotation or the ▷ position (B side) for counterclockwise rotation.

⚠CAUTION:

- Always check the direction of rotation before operation.
- Use the reversing switch only after the tool comes to a complete stop. Changing the direction of rotation before the tool stops may damage the tool.
- If the switch trigger can not be depressed, check to see that the reversing switch is fully set to position ◁ (A side) or ▷ (B side).

Selecting the action mode

► Fig.4: 1. Action mode changing lever

This tool has an action mode change lever. For rotation with hammering, slide the action mode change lever to the right ( symbol). For rotation only, slide the action mode change lever to the left ( symbol).

⚠ CAUTION:

- Always slide the action mode change lever all the way to your desired mode position. If you operate the tool with the lever positioned half-way between the mode symbols, the tool may be damaged.

ASSEMBLY

⚠ CAUTION:

- Always be sure that the tool is switched off and unplugged before carrying out any work on the tool.

Installing side grip (auxiliary handle)

► Fig.5: 1. Side grip

Always use the side grip to ensure operating safety. Install the side grip on tool barrel. Then tighten the grip by turning clockwise securely at the desired position. It may be swung 360° so as to be secured at any position.

NOTE:

- The side grip cannot swing 360° when the depth gauge is installed.

Installing or removing drill bit

For Model HP1640, HP1640F

► Fig.6: 1. Chuck key

To install the bit, place it in the chuck as far as it will go. Tighten the chuck by hand. Place the chuck key in each of the three holes and tighten clockwise. Be sure to tighten all three chuck holes evenly. To remove the bit, turn the chuck key counterclockwise in just one hole, then loosen the chuck by hand. After using the chuck key, be sure to return to the original position.

For Model HP1641, HP1641F

► Fig.7: 1. Sleeve 2. Ring

Hold the ring and turn the sleeve counterclockwise to open the chuck jaws. Place the bit in the chuck as far as it will go. Hold the ring firmly and turn the sleeve clockwise to tighten the chuck. To remove the bit, hold the ring and turn the sleeve counterclockwise.

Depth gauge

► Fig.8: 1. Depth gauge 2. Side grip 3. Grip base

The depth gauge is convenient for drilling holes of uniform depth. Loosen the side grip and insert the depth gauge into the hole in the side grip. Adjust the depth gauge to the desired depth and tighten the side grip.

NOTE:

- The depth gauge cannot be used at the position where the depth gauge strikes against the tool body.

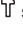
OPERATION

Hammer drilling operation

► Fig.9

⚠ CAUTION:

- There is a tremendous and sudden twisting force exerted on the tool/bit at the time of hole break-through, when the hole becomes clogged with chips and particles, or when striking reinforcing rods embedded in the concrete. Always use the side grip (auxiliary handle) and firmly hold the tool by both side grip and switch handle during operations. Failure to do so may result in the loss of control of the tool and potentially severe injury.

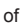
When drilling in concrete, granite, tile, etc., move the action mode changing lever to the position of  symbol to use "rotation with hammering" action. Be sure to use a tungsten-carbide tipped bit. Position the bit at the desired location for the hole, then pull the switch trigger. Do not force the tool. Light pressure gives best results. Keep the tool in position and prevent it from slipping away from the hole. Do not apply more pressure when the hole becomes clogged with chips or particles. Instead, run the tool at an idle, then remove the bit partially from the hole. By repeating this several times, the hole will be cleaned out and normal drilling may be resumed.

Blow-out bulb (optional accessory)

► Fig.10: 1. Blow-out bulb

After drilling the hole, use the blow-out bulb to clean the dust out of the hole.

Drilling operation

When drilling in wood, metal or plastic materials, move the action mode changing lever to the position of  symbol to use "rotation only" action.

Drilling in wood

When drilling in wood, the best results are obtained with wood drills equipped with a guide screw. The guide screw makes drilling easier by pulling the bit into the workpiece.

Drilling in metal

To prevent the bit from slipping when starting a hole, make an indentation with a center-punch and hammer at the point to be drilled. Place the point of the bit in the indentation and start drilling. Use a cutting lubricant when drilling metals. The exceptions are iron and brass which should be drilled dry.

⚠ CAUTION:

- Pressing excessively on the tool will not speed up the drilling. In fact, this excessive pressure will only serve to damage the tip of your bit, decrease the tool performance and shorten the service life of the tool.
- There is a tremendous force exerted on the tool/bit at the time of hole break through. Hold the tool firmly and exert care when the bit begins to break through the workpiece.
- A stuck bit can be removed simply by setting the reversing switch to reverse rotation in order to back out. However, the tool may back out abruptly if you do not hold it firmly.
- Always secure small workpieces in a vise or similar hold-down device.

NOTE:

- Some items in the list may be included in the tool package as standard accessories. They may differ from country to country.

MAINTENANCE

⚠ CAUTION:

- Always be sure that the tool is switched off and unplugged before attempting to perform inspection or maintenance.

NOTICE:

- Never use gasoline, benzine, thinner, alcohol or the like. Discoloration, deformation or cracks may result.

To maintain product SAFETY and RELIABILITY, repairs, carbon brush inspection and replacement, any other maintenance or adjustment should be performed by Makita Authorized Service Centers, always using Makita replacement parts.

OPTIONAL ACCESSORIES

⚠ CAUTION:

- These accessories or attachments are recommended for use with your Makita tool specified in this manual. The use of any other accessories or attachments might present a risk of injury to persons. Only use accessory or attachment for its stated purpose.

If you need any assistance for more details regarding these accessories, ask your local Makita Service Center.

- Tungsten-carbide tipped hammer bit
- Hole saw
- Blow-out bulb
- Safety goggles
- Keyless drill chuck 13
- Chuck key
- Grip assembly
- Depth gauge
- Plastic carrying case

ТЕХНИЧЕСКИЕ ХАРАКТЕРИСТИКИ

Модель	HP1640/HP1640F/HP1641/HP1641F	
Производительность	Бетон	16 мм
	Сталь	13 мм
	Дерево	30 мм
Число оборотов без нагрузки (мин ⁻¹)	0 - 2 800	
Ударов в минуту	0 - 44 800	
Общая длина	303 мм	
Вес нетто	2,0 кг	
Класс безопасности	□/II	

- Благодаря нашей постоянно действующей программе исследований и разработок, указанные здесь технические характеристики могут быть изменены без предварительного уведомления.
- Технические характеристики могут различаться в зависимости от страны.
- Масса в соответствии с процедурой ЕРТА 01/2003

Символы

Ниже приведены символы, используемые для электроинструмента. Перед использованием убедитесь, что вы понимаете их значение.



Прочитайте руководство пользователя.



ДВОЙНАЯ ИЗОЛЯЦИЯ



Только для стран ЕС
Не выбрасывайте электрическое оборудование вместе с обычным мусором! В рамках соблюдения Европейской Директивы по утилизации электрического и электронного оборудования и ее применения в соответствии с национальным законодательством, электрооборудование в конце срока своей службы должно утилизироваться отдельно и передаваться для утилизации на предприятие, соответствующее применяемым правилам охраны окружающей среды.

Назначение

Данный инструмент предназначен для ударного сверления в кирпиче, бетоне и камне, а также для безударного сверления древесины, металла, керамики и пластика.

Источник питания

Данный инструмент должен подключаться к источнику питания с напряжением, соответствующим напряжению, указанному на идентификационной пластинке, и может работать только от однофазного источника переменного тока. В соответствии с европейским стандартом данный инструмент имеет двойную изоляцию и поэтому может подключаться к розеткам без провода заземления.

Для модели HP1640, HP1641, HP1641F

Шум

Типичный уровень взвешенного звукового давления (A), измеренный в соответствии с EN60745:

Уровень звукового давления (L_{pA}): 92 дБ (A)

Уровень звуковой мощности (L_{WA}): 103 дБ (A)

Погрешность (K): 3 дБ (A)

Используйте средства защиты слуха

Вибрация

Общий уровень вибрации (векторная сумма по трем координатам), определенный в соответствии с EN60745:

Режим работы: сверление с ударным действием в бетоне

Распространение вибрации ($a_{h, ID}$): 19 м/с²

Погрешность (K): 2,0 м/с²

Режим работы: сверление в металле

Распространение вибрации ($a_{h, D}$): 2,5 м/с²

Погрешность (K): 1,5 м/с²

ПРИМЕЧАНИЕ: Заявленное значение распространения вибрации измерено в соответствии со стандартной методикой испытаний и может быть использовано для сравнения инструментов.

ПРИМЕЧАНИЕ: Заявленное значение распространения вибрации можно также использовать для предварительных оценок воздействия.

⚠ ОСТОРОЖНО: Распространение вибрации во время фактического использования электроинструмента может отличаться от заявленного значения в зависимости от способа применения инструмента.

⚠ ОСТОРОЖНО: Обязательно определите меры безопасности для защиты оператора, основанные на оценке воздействия в реальных условиях использования (с учетом всех этапов рабочего цикла, таких как выключение инструмента, работа без нагрузки и включение).

Только для европейских стран

Декларация о соответствии ЕС

Makita заявляет, что следующее устройство (устройства):

Обозначение устройства:

Ударная дрель

Модель / тип: HP1640, HP1641, HP1641F

Соответствует (ют) следующим директивам ЕС:
2006/42/ЕС

Изготовлены в соответствии со следующим стандартом или нормативными документами:

EN60745

Технический файл в соответствии с документом 2006/42/ЕС доступен по адресу:

Makita, Jan-Baptist Vinkstraat 2, 3070, Belgium

31.12.2013



Ясуси Фукайа (Yasushi Fukaya)

Директор

Makita, Jan-Baptist Vinkstraat 2, 3070, Belgium

Общие рекомендации по технике безопасности для электроинструментов

⚠ ПРЕДУПРЕЖДЕНИЕ Ознакомьтесь со всеми инструкциями и рекомендациями по технике безопасности. Невыполнение инструкций и рекомендаций может привести к поражению электротоком, пожару и/или тяжелым травмам.

Сохраните брошюру с инструкциями и рекомендациями для дальнейшего использования.

Термин "электроинструмент" в предупреждениях относится ко всему инструменту, работающему от сети или на аккумуляторах.

Безопасность в месте выполнения работ

1. **Рабочее место должно быть чистым и хорошо освещенным.** Захламление и плохое освещение могут стать причиной несчастных случаев.
2. **Не пользуйтесь электроинструментом во взрывоопасной атмосфере, например в присутствии легко воспламеняющихся жидкостей, газов или пыли.** При работе электроинструмента возникают искры, которые могут привести к воспламенению пыли или газов.
3. **При работе с электроинструментом не допускайте детей или посторонних к месту выполнения работ.** Не отвлекайтесь во время работы, так как это приведет к потере контроля над электроинструментом.

Электробезопасность

4. **Вилка электроинструмента должна соответствовать сетевой розетке. Никогда не вносите никаких изменений в конструкцию розетки.** При использовании электроинструмента с заземлением не используйте переходники. Розетки и вилки, не подвергавшиеся изменениям, снижают риск поражения электрическим током.

5. **Избегайте контакта участков тела с заземленными поверхностями, такими как трубы, радиаторы, батареи отопления и холодильники.** При контакте тела с заземленными предметами увеличивается риск поражения электрическим током.
6. **Не подвергайте электроинструмент воздействию дождя или влаги.** Попадание воды в электроинструмент повышает риск поражения электрическим током.
7. **Аккуратно обращайтесь со шнуром питания. Никогда не используйте шнур питания для переноски, перемещения или извлечения вилки из розетки.** Располагайте шнур на расстоянии от источников тепла, масла, острых краев и движущихся деталей. Поврежденные или запутанные сетевые шнуры увеличивают риск поражения электрическим током.
8. **При использовании электроинструмента вне помещения используйте удлинитель, подходящий для этих целей.** Использование соответствующего шнура снижает риск поражения электрическим током.
9. **Если электроинструмент приходится эксплуатировать в сыром месте, используйте линию электропитания, которая защищена устройством, срабатывающим от остаточного тока (RCD).** Использование RCD снижает риск поражения электротоком.
10. **Рекомендуется использовать питание через RCD с номинальным остаточным током 30 мА или менее.**

Личная безопасность

11. **При использовании электроинструмента будьте бдительны, следите за тем, что вы делаете, и руководствуйтесь здравым смыслом. Не пользуйтесь электроинструментом, если вы устали, находитесь под воздействием наркотиков, алкоголя или лекарственных препаратов.** Даже мгновенная невнимательность при использовании электроинструмента может привести к серьезной травме.
12. **Используйте средства индивидуальной защиты. Обязательно надевайте защитные очки.** Такие средства индивидуальной защиты, как респиратор, защитная нескользящая обувь, каска или наушники, используемые в соответствующих условиях, позволяют снизить риск получения травмы.
13. **Не допускайте случайного включения устройства. Прежде чем подсоединять инструмент к источнику питания и/или аккумуляторной батарее, поднимать или переносить инструмент, убедитесь, что переключатель находится в выключенном положении.** Переноска электроинструмента с пальцем на выключателе или подача питания на инструмент с включенным выключателем может привести к несчастному случаю.
14. **Перед включением электроинструмента снимите с него все регулировочные инструменты и гаечные ключи.** Гаечный или регулировочный ключ, оставшийся закрепленным на вращающейся детали, может привести к травме.
15. **При эксплуатации устройства не тянитесь. Всегда сохраняйте устойчивое положение и равновесие.** Это позволит лучше управлять электроинструментом в непредвиденных ситуациях.

16. Одевайтесь соответствующим образом. Не надевайте свободную одежду или украшения. Ваши волосы, одежда и перчатки должны всегда находиться на расстоянии от вращающихся деталей. Свободная одежда, украшения или длинные волосы могут попасть в движущиеся детали устройства.
17. Если имеются устройства для подключения пылесборника или вытяжки, убедитесь, что они подсоединены и правильно используются. Использование пылесборника снижает вероятность возникновения рисков, связанных с пылью.
26. Следуйте инструкциям по смазке и замене принадлежностей.
27. Ручки инструмента всегда должны быть сухими и чистыми и не должны быть смазаны маслом или смазкой.

МЕРЫ БЕЗОПАСНОСТИ ПРИ ИСПОЛЬЗОВАНИИ ПЕРФОРАТОРА

Использование и уход за электроинструментом

18. Не прилагайте излишних усилий к электроинструменту. Используйте инструмент, соответствующий выполняемой вами работе. Правильно подобранный электроинструмент позволит выполнить работу лучше и безопаснее с производительностью, на которую он рассчитан.
19. Не пользуйтесь электроинструментом с неисправным выключателем. Любой электроинструмент с неисправным выключателем опасен и должен быть отремонтирован.
20. Перед выполнением регулировок, сменой принадлежностей или хранением электроинструмента всегда отключайте его от источника питания и/или от аккумулятора. Такие превентивные меры предосторожности снижают риск случайного включения электроинструмента.
21. Храните электроинструменты в местах, недоступных для детей, и не позволяйте лицам, не знакомым с работой такого инструмента или не прочитавшим данные инструкции, пользоваться им. Электроинструмент опасен в руках неопытных пользователей.
22. Выполняйте техническое обслуживание электроинструментов. Убедитесь в соосности, отсутствии деформаций движущихся узлов, поломок каких-либо деталей или других дефектов, которые могут повлиять на работу электроинструмента. Если инструмент поврежден, отремонтируйте его перед использованием. Большое число несчастных случаев происходит из-за плохого ухода за электроинструментом.
23. Режущий инструмент всегда должен быть острым и чистым. Соответствующее обращение с режущим инструментом, имеющим острые режущие кромки, делает его менее подверженным деформациям, что позволяет лучше управлять им.
24. Используйте электроинструмент, принадлежности, приспособления и насадки в соответствии с данными инструкциями и в целях, для которых он предназначен, учитывая при этом условия и вид выполняемой работы. Использование электроинструмента не по назначению может привести к возникновению опасной ситуации.

Обслуживание

25. Обслуживание электроинструмента должно проводиться только квалифицированным специалистом по ремонту и только с использованием идентичных запасных частей. Это позволит обеспечить безопасность электроинструмента.

1. При использовании ударной дрели используйте средства защиты слуха. Воздействие шума может привести к потере слуха.
2. Используйте дополнительную ручку (если входит в комплект инструмента). Утрата контроля над инструментом может привести к травме.
3. Если при выполнении работ существует риск контакта режущего инструмента со скрытой электропроводкой или собственным шнуром питания, держите электроинструмент за специально предназначенные изолированные поверхности. Контакт с проводом под напряжением приведет к тому, что металлические детали инструмента также будут под напряжением, что приведет к поражению оператора электрическим током.
4. При выполнении работ всегда занимайте устойчивое положение. При использовании инструмента на высоте убедитесь в отсутствии людей внизу.
5. Крепко держите инструмент обеими руками.
6. Руки должны находиться на расстоянии от вращающихся деталей.
7. Не оставляйте работающий инструмент без присмотра. Включайте инструмент только тогда, когда он находится в руках.
8. Сразу после окончания работ не прикасайтесь к бите или детали. Они могут быть очень горячими, что приведет к ожогам кожи.
9. Некоторые материалы могут содержать токсичные химические вещества. Примите соответствующие меры предосторожности, чтобы избежать вдыхания или контакта с кожей таких веществ. Соблюдайте требования, указанные в паспорте безопасности материала.

СОХРАНИТЕ ДАННЫЕ ИНСТРУКЦИИ.

▲ОСТОРОЖНО: НЕ ДОПУСКАЙТЕ, чтобы удобство или опыт эксплуатации данного устройства (полученный от многократного использования) доминировали над строгим соблюдением правил техники безопасности при обращении с этим устройством. **НЕПРАВИЛЬНОЕ ИСПОЛЬЗОВАНИЕ** инструмента или несоблюдение правил техники безопасности, указанных в данном руководстве, может привести к тяжелой травме.

ОПИСАНИЕ ФУНКЦИОНИРОВАНИЯ

⚠ВНИМАНИЕ:

- Перед проведением регулировки или проверки работы инструмента всегда проверяйте, что инструмент выключен, а шнур питания вынут из розетки.

Действие выключателя

- **Рис.1:** 1. Курковый выключатель 2. Кнопка блокировки

⚠ВНИМАНИЕ:

- Перед включением инструмента в розетку, всегда проверяйте, что триггерный переключатель работает надлежащим образом и возвращается в положение "ВЫКЛ", если его отпустить.
- Переключатель можно заблокировать в положении "ВКЛ" для удобства оператора при продолжительном использовании. Будьте осторожны при блокировке инструмента в положении "ВКЛ" и продолжайте крепко удерживать инструмент.

Для включения инструмента, просто нажмите на триггерный переключатель. Скорость инструмента повышается путем увеличения давления на триггерный переключатель. Отпустите триггерный переключатель для остановки.

При продолжительной эксплуатации, нажмите на триггерный переключатель, затем нажмите кнопку блокировки.

Для остановки инструмента из заблокированного положения, выжмите триггерный переключатель до конца, затем отпустите его.

Включение ламп

Для моделей HP1640F, HP1641F

- **Рис.2:** 1. Лампа

⚠ВНИМАНИЕ:

- Не смотрите непосредственно на свет или источник света.

Для включения лампы нажмите на триггерный переключатель. Отпустите переключатель для выключения лампы.

ПРИМЕЧАНИЕ:

- Используйте сухую ткань для очистки грязи с линзы лампы. Следите за тем, чтобы не поцарапать линзу лампы, так как это может уменьшить освещение.
- Никогда не пользуйтесь бензином или растворителем для очистки линзы лампы, иначе она будет повреждена.

Действие реверсивного переключателя

- **Рис.3:** 1. Реверсивный переключатель



Этот инструмент оборудован переключателем изменения направления вращения. Переместите переключатель направления вращения в положение ◁ (сторона А) для вращения по часовой стрелке и в положение ▷ (сторона В) для вращения против часовой стрелки.

⚠ВНИМАНИЕ:

- Перед работой всегда проверяйте направление вращения.
- Пользуйтесь реверсивным переключателем только после полной остановки инструмента. Изменение направления вращения до полной остановки инструмента может привести к его повреждению.
- Если курковый выключатель не может быть нажат, убедитесь, что переключатель направления вращения полностью установлен в положение ◁ (сторона А) или ▷ (сторона В).

Выбор режима действия

- **Рис.4:** 1. Рычаг изменения режима работы

Данный инструмент оборудован рычагом изменения режима действия. Для вращения с ударным действием, переведите рычаг изменения режима действия вправо (символ ). Для обеспечения только вращения, переведите рычаг изменения режима действия влево (символ ).

⚠ВНИМАНИЕ:

- Всегда переводите рычаг изменения режима действия до конца в желаемое положение. Если Вы будете работать с инструментом, а рычаг при этом будет находиться посередине между обозначениями режимов, это может привести к повреждению инструмента.

МОНТАЖ

⚠ВНИМАНИЕ:

- Перед проведением каких-либо работ с инструментом всегда проверяйте, что инструмент выключен, а шнур питания вынут из розетки.

Установка боковой ручки (вспомогательной рукоятки)

- **Рис.5:** 1. Боковая ручка

Всегда используйте боковую рукоятку в целях обеспечения безопасности при работе. Установите боковую рукоятку на цилиндр инструмента. После этого крепко затяните рукоятку путем поворота по часовой стрелке в желаемом положении. Она поворачивается на 360° для закрепления в любом положении.

ПРИМЕЧАНИЕ:

- Боковую рукоятку нельзя поворачивать на 360°, когда установлен глубиномер.

Установка или снятие сверла

Для моделей HP1640, HP1640F

► Рис.6: 1. Ключ зажимного патрона

Для установки сверла, вставьте его до упора в зажимной патрон. Затяните зажимной патрон рукой. Вставьте ключ зажимного патрона в каждое из трех отверстий и затяните его по часовой стрелке. Обязательно затягивайте все три отверстия патрона равномерно.

Для снятия биты, поверните патронный ключ против часовой стрелки только в одном отверстии, затем раскрутите патрон рукой.

После работы с ключом зажимного патрона обязательно кладите ключ на место.

Для моделей HP1641, HP1641F

► Рис.7: 1. Втулка 2. Кольцо

Удерживайте кольцо и поверните втулку против часовой стрелки для освобождения кулачков зажимного патрона. Вставьте биты в зажимной патрон как можно глубже. Крепко удерживая кольцо, поверните втулку по часовой стрелке для затяжки патрона.

Для снятия биты, удерживайте кольцо и поверните втулку против часовой стрелки.

Глубиномер

► Рис.8: 1. Глубиномер 2. Боковая ручка 3. Основа рукоятки

Глубиномер удобен при сверлении отверстий одинаковой глубины. Ослабьте боковую рукоятку и вставьте глубиномер в отверстие боковой рукоятки. Отрегулируйте глубиномер на желаемую глубину и затяните боковую рукоятку.

ПРИМЕЧАНИЕ:

- Глубиномер нельзя использовать в месте, где глубиномер ударяется о корпус инструмента.

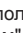
ЭКСПЛУАТАЦИЯ

Сверление с ударным действием

► Рис.9

ВНИМАНИЕ:

- При ударе о стержневую арматуру, залитую в бетон, при засорении отверстия щепой и частицами или в случае, когда просверливаемое отверстие становится сквозным, на инструмент/сверло воздействует значительная и неожиданная сила скручивания. Всегда пользуйтесь боковой рукояткой (вспомогательной ручкой) и крепко держите инструмент и за боковую рукоятку, и за ручку переключения при работе. Несоблюдение данного требования может привести к потере контроля за инструментом и потенциальной серьезной травме.

При сверлении бетона, гранита, кафеля и т.д., переведите рычаг изменения режима действия в положение символа  для использования режима "вращения с ударным действием".

Обязательно используйте ударное долото с накопчиком из карбида вольфрама.


Установите долото в нужное для отверстия место, затем нажмите триггерный переключатель. Не прилагайте к инструменту усилий. Легкое давление дает лучшие результаты. Держите инструмент в рабочем положении и следите за тем, чтобы он не выскальзывал из отверстия. Не применяйте дополнительное давление, когда отверстие засорится щепками или частицами. Вместо этого, включите инструмент на холостом ходу, затем постепенно выньте сверло из отверстия. Если эту процедуру проделать несколько раз, отверстие очистится, и можно будет возобновить обычное сверление.

Груша для продувки (дополнительная принадлежность)

► Рис.10: 1. Груша для выдувки

После сверления отверстия воспользуйтесь грушей для продувки, чтобы выдуть пыль из отверстия.

Сверление

При сверлении в дереве, металле или пластмассе, переведите рычаг изменения режима действия в положение символа  для использования режима "только вращение".

Сверление в дереве

При сверлении в дереве, наилучшие результаты достигаются при использовании сверл для дерева, снабженных направляющим винтом. Направляющий винт упрощает сверление, удерживая сверло в обрабатываемой детали.

Сверление металла

Для предотвращения скольжения сверла при начале сверления, сделайте углубление с помощью кернера и молотка в точке сверления. Вставьте острие сверла в выемку и начните сверлить.

При сверлении металлов используйте смазку для резки. Исключение составляют чугун и латунь, которые надо сверлить насухо.

ВНИМАНИЕ:

- Чрезмерное нажатие на инструмент не ускорит сверление. На самом деле, чрезмерное давление только повредит накопчик Вашего сверла, снизит производительность инструмента и сократит срок его службы.
- Когда просверливаемое отверстие становится сквозным, на инструмент/сверло воздействует значительная сила. Крепко удерживайте инструмент и будьте осторожны, когда сверло начинает проходить сквозь обрабатываемую деталь.
- Застрявшее сверло можно вынуть путем простого переключения реверсивного переключателя на обратное вращение задним ходом. Однако инструмент может повернуться в обратном направлении слишком быстро, если его не держать крепко.
- Всегда закрепляйте небольшие обрабатываемые детали в тисках или подобном зажимном устройстве.

ТЕХОБСЛУЖИВАНИЕ

⚠ ВНИМАНИЕ:

- Перед проверкой или проведением техобслуживания убедитесь, что инструмент выключен, а штекер отсоединен от розетки.

УВЕДОМЛЕНИЕ:

- Запрещается использовать бензин, лигроин, растворитель, спирт и т.п. Это может привести к изменению цвета, деформации и появлению трещин.

Для обеспечения БЕЗОПАСНОСТИ и НАДЕЖНОСТИ изделия ремонт, проверка и замена угольных щеток и любые другие работы по техобслуживанию или регулировке должны осуществляться в уполномоченных сервис-центрах Makita с использованием запасных частей только производства компании Makita.

ДОПОЛНИТЕЛЬНЫЕ ПРИНАДЛЕЖНОСТИ

⚠ ВНИМАНИЕ:

- Эти принадлежности или насадки рекомендуются использовать вместе с вашим инструментом Makita, описанным в данном руководстве. Использование каких-либо других принадлежностей или насадок может представлять опасность получения травм. Используйте принадлежность или насадку только по указанному назначению.

Если вам необходимо содействие в получении дополнительной информации по этим принадлежностям, свяжитесь со своим местным сервис-центром Makita.

- Ударное долото с наконечником из карбида вольфрама
- Кольцевая пила
- Груша для продувки
- Защитные очки
- Сверлильный патрон без ключа 13
- Ключ зажимного патрона
- Блок рукоятки
- Глубиномер
- Пластмассовый чемодан для переноски

ПРИМЕЧАНИЕ:

- Некоторые элементы списка могут входить в комплект инструмента в качестве стандартных приспособлений. Они могут отличаться в зависимости от страны.

ТЕХНИКАЛЫҚ СИПАТТАМАЛАРЫ

Үлгісі	HP1640/HP1640F/HP1641/HP1641F	
Сыйымдылықтары	Бетон	16 мм
	Болат	13 мм
	Ағаш	30 мм
Жүктемесіз жылдамдығы (мин ⁻¹)	0 - 2 800	
Бір минуттағы соққы саны	0 - 44 800	
Жалпы ұзындығы	303 мм	
Таза салмағы	2,0 кг	
Қауіпсіздік класы	□/II	

- Зерттеу мен әзірлеудің үздіксіз бағдарламасына байланысты осы құжаттағы техникалық сипаттамалар ескертусіз өзгертілуі мүмкін.
- Техникалық сипаттамалары әр елде әр түрлі болуы мүмкін.
- Салмағы EPTA-Procedure 01/2003 стандартына сәйкес

Белгілер

Төменде жабдықта пайдаланылған белгілер көрсетілген. Пайдалану алдында олардың мағынасын түсініп алыңыз.



Пайдалану жөніндегі нұсқаулықты оқып шығыңыз.



ҚОС ҚАБАТТЫ ОҚШАУЛАУ



Тек ЕО елдері үшін
Электр жабдықты немесе аккумулятор блогын тұрмыстық қалдықтармен бірге тастамаңыз! Электр және электронды жабдықты қоқысқа тастау бойынша Еуропалық директиваның шарттары және ұлттық заңнамаға сәйкес жүзеге асырылуы бойынша, қызметтік мерзімі аяқталған электр жабдық бөлек жиналып, экологиялық тұрғыдан қауіпсіз утилизация пунктіне қайтарылуы тиіс.

Қолдану мақсаты

Құрал кірпіш, бетон және таста соққылау арқылы бұрғылауға, сондай-ақ ағаш, металл, керамика және пластикте соққылаусыз бұрғылауға арналған.

Қуат көзі

Құрал наспорттық деректері бар фирмалық тақтайшада көрсетілген кернеумен бірдей қуат көзіне қосылуы керек және тек бір фазалы АТ көзімен жұмыс істейді. Еуропалық стандартқа сәйкес олардың қосарланған оқшаулағышы бар және оларды жерге тұйықталған сымсыз розеткалар арқылы пайдалануға болады.

HP1640, HP1641, HP1641F үлгілері үшін

Шу

EN60745 стандартына сай анықталған стандартты А қисығы бойынша өлшенген шу деңгейі:

Дыбыс қысымының деңгейі (L_{pA}): 92 дБА

Дыбыс қуатының деңгейі (L_{WA}): 103 дБА

Дәлсіздік (K): 3 дБА

Қорғаныс құлаққабын киіңіз

Діріл

EN60745 стандартына сәйкес анықталған дірілдің жалпы мәні (үш осьтік векторлық сомасы):

Жұмыс режимі: бетонды соққылау арқылы бұрғылау

Дірілдің таралуы (a_{hD}): 19 м/с²

Дәлсіздік (K): 2,0 м/с²

Жұмыс режимі: металды бұрғылау

Дірілдің таралуы (a_{hD}): 2,5 м/с²

Дәлсіздік (K): 1,5 м/с²

ЕСКЕРТПЕ: Дірілдің жарияланған таралу мәні стандартты сынау әдісіне сәйкес өлшенген және оны бір құралды екінші құралмен салыстыру үшін пайдалануға болады.

ЕСКЕРТПЕ: Оны сондай-ақ әсерді алдын ала бағалау үшін пайдалануға болады.

▲ЕСКЕРТУ: Электрлік құралды іс жүзінде пайдалану кезіндегі дірілдің таралуы құралдың пайдалану әдісіне байланысты жарияланған дірілдің таралу мәнінен өзгеше болуы мүмкін.

▲ЕСКЕРТУ: Іс жүзінде пайдалану кезіндегі әсерді бағалау негізінде операторды қорғау үшін қауіпсіздік шараларын анықтаңыз (құралдың өшірілген уақыты және бос жүріс уақытын қоса алғанда, іске қосылу уақыты сияқты барлық жұмыс циклдерін ескеру керек).

Тек Еуропа елдеріне арналған

ЕС сәйкестік декларациясы

Makita компаниясы мына машина(лар) жөнінде мәлімдейді:

Машина белгісі:

Соқпалы бұрғы

үлгі№/ түрі: HP1640,HP1641,HP1641F

Төмендегі Еуропалық директиваларға сәйкес келеді:
2006/42/ЕС

Олар төмендегі стандартты немесе стандартталған құжаттарға сәйкес дайындалады:

EN60745

2006/42/ЕС директивасына сәйкес техникалық құжат мына жерде қолжетімді:

Makita, Jan-Baptist Vinkstraat 2, 3070, Бельгия

31.12.2013



Yasushi Fukaya

Директор

Makita, Jan-Baptist Vinkstraat 2, 3070, Бельгия

Электрлік құралдың жалпы қауіпсіздік ескертулері

⚠ ЕСКЕРТУ Барлық қауіпсіздік ескертулері мен нұсқауларын оқып шығыңыз. Төменде берілген барлық ескертулер мен нұсқауларды орындамаған жағдайда, электр тогының соғуы, өрт шығуы және/немесе ауыр жарақат алуға себеп болуы мүмкін.

Алдағы уақытта қолдану үшін барлық ескерту мен нұсқауды сақтап қойыңыз.

Ескертулердегі “электрлік құрал” термині қуат көзінен жұмыс істейтін (сымды) электрлік құралды немесе аккумулятормен жұмыс істейтін (сымсыз) электрлік құралды білдіреді.

Жұмыс аймағындағы қауіпсіздік

1. **Жұмыс аймағы таза әрі жарық болуы керек.** Лас немесе қараңғы аймақтарда жазатайым оқиғалар туындауы мүмкін.
2. **Электрлік құралды айналасында тез тұтанатын сұйықтық, газ немесе шаң сияқты заттардан тұратын жарылыс қаупі бар орталарда пайдаланбаңыз.** Электрлік құралдар шаң немесе газды тұтандыратын электр ұшқындарын шығарады.
3. **Электрлік құралды пайдаланған кезде, балалар және бөгде адамдар алашқа жүруі керек.** Басқа нәрсеге алаңдасаңыз, құралға ие бола алмай қалуыңыз мүмкін.

Электрлік қауіпсіздік

4. **Электрлік құралдың ашасы розеткаға сәйкес келуі керек.** Ашаны ешбір жағдайда өзгертпеңіз. Адаптер ашаларын жерге тұйықталған электрлік құралдармен пайдаланбаңыз. Өзгертілмеген ашалар мен сәйкес келетін розеткалар электр тогының соғу қаупін азайтады.

5. **Түтіктер, радиаторлар, жылу батареялары және тоңазытқыштар сияқты жерге тұйықталған беттерді ұстамаңыз.** Егер денеңіз жерге тұйықталатын болса, ток соғу қаупі жоғары.
6. **Электрлік құралдарды жаңбырдың астына немесе ылғалды жерлерге қоймаңыз.** Электрлік құралға су кіретін болса, ток соғу қаупі артады.
7. **Қуат шнурын дұрыс пайдаланыңыз.** Электрлік құралды тасу, тарту немесе қуат көзінен ажырату үшін қуат шнурын пайдалануға болмайды. Қуат шнурына ыстық зат, май, өткір жиек немесе қозғалмалы бөлшектер тимеуі керек. Зақымдалған немесе оралған қуат шнурлары ток соғу қаупін арттырады.
8. **Электрлік құралды сыртта пайдаланғанда, сыртта қолдануға жарамды ұзартқышты қолданыңыз.** Сыртта қолдануға жарамды шнурды пайдалану ток соғу қаупін азайтады.
9. **Егер электрлік құралды ылғалды жерде пайдалану керек болса, қорғаныстық ажырату құрылғысын (RCD) пайдаланыңыз.** Қорғаныстық ажырату құрылғысын пайдалану ток соғу қаупін азайтады.
10. **Электр қуатын әрдайым 30 мА немесе одан кем номиналды дифференциалды тоғы бар қорғаныстық ажырату құрылғысы (RCD) арқылы пайдаланған жөн.**

Жеке қауіпсіздік

11. **Электрлік құралды пайдаланған кезде, жасап жатқан жұмысыңызға қырағылық танытып, мұқият болыңыз.** Шаршағанда немесе есірткі, алкоголь немесе дәрі-дәрмектің әсерінде болған кезде электрлік құралды пайдаланбаңыз. Электрлік құралды пайдалану кезінде сәл ғана аңсыздық таныту ауыр жарақатқа әкелуі мүмкін.
12. **Жеке қорғаныс жабдығын пайдаланыңыз.** Тіндетті түрде қорғаныс көзілдірігін тағыңыз. Шаңнан қорғайтын маска, сырғанамайтын қорғаныс аяқ киімі, каска немесе құлақпап сияқты қорғаныс жабдықтарын тиісті жағдайларда қолдану жарақаттану қаупін азайтады.
13. **Кездейсоқ іске қосудың алдын алыңыз.** Құралды қуат көзіне және/немесе аккумулятор блогына қоспас бұрын, оны жинап немесе тасымалдамас бұрын, ауыстырып-қосқыш өшірулі күйде екеніне көз жеткізіңіз. Саусақ электрлік құралдың ауыстырып-қосқышында тұрған кезде оны тасымалдау немесе ауыстырып-қосқышы қосуы электрлік құралды қуат көзіне қосу жазатайым оқиғаға әкелуі мүмкін.
14. **Электрлік құралды қоспас бұрын, реттегіш немесе сомынды бұрайтын кілттерді алып тастаңыз.** Электрлік құралдың айналымды бөлігінде реттегіш немесе сомынды бұрайтын кілт бекітулі қалса, жарақаттануы мүмкін.
15. **Тым артық күш салмаңыз.** Өрдайым тұрақты және тепе-теңдік сақтайтын күйде болыңыз. Бұл күтпеген жағдайда электрлік құралды жақсы басқаруға мүмкіндік береді.

СОҚПАЛЫ БҰРҒЫҒА ҚАТЫСТЫ ҚАУІПСІЗДІК ТУРАЛЫ ҚАУІПСІЗДІК ЕСКЕРТУЛЕРІ

16. Жұмысқа сай киініңіз. Бос киім кимеңіз және әшекей тақпаңыз. Шаш, киім және қолғабыңызды қозғалмалы бөлшектерден алшақ ұстаңыз. Бос киім, әшекейлер немесе ұзын шаш қозғалмалы бөлшектерге ілініп қалуы мүмкін.
17. Шаң тұту және жинау құрылғылары қамтамасыз етілген болса, олардың қосулы екендігіне және дұрыс қолданылып жатқанына көз жеткізіңіз. Шаң жинау құрылғысын пайдалану шаңмен байланысты қауіпті азайтуы мүмкін.

Электрлік құралды пайдалану және күтім жасау

18. Электрлік құралға артық күш түсірмеңіз. Орындалатын жұмысқа сәйкес келетін электрлік құралды пайдаланыңыз. Дұрыс таңдалған электрлік құрал өзіне жүктелген жұмысты жақсы және қауіпсіз істейді.
19. Ауыстырып-қосқышы ақаулы электрлік құралды пайдаланбаңыз. Ауыстырып-қосқышы ақаулы кез келген электрлік құрал қауіп төндіреді және оны жөндеу керек.
20. Кез келген реттеулер жасамас бұрын, керек-жарақтарды ауыстырмас бұрын немесе электрлік құралдарды ұзақ уақытқа сақтамас бұрын, ашаны қуат көзін ажыратыңыз және/немесе аккумулятор блогы бар болса, оны шығарып алыңыз. Осындай алдын алу шаралары электрлік құралдың кездейсоқ іске қосылу қаупін азайтады.
21. Электрлік құралдарды балалардың қолы жетпейтін жерде сақтаңыз, сонымен қатар электрлік құралмен жұмыс істей алмайтын және осы нұсқауларды оқымаған тұлғаларға құралды пайдалануға рұқсат етпеңіз. Арнайы жаттығудан өтпеген пайдаланушылар үшін электрлік құрал қауіп төндіреді.
22. Электр құралдарына техникалық қызмет көрсетіңіз. Қозғалмалы бөлшектердің ауытқуы және оралуы, зақымдалған бөлшектер және электрлік құралдың жұмысына кері әсер ететін басқа жағдайлардың бар-жоғын тексеріңіз. Зақымы болса, электрлік құралды жөндеген соң бірақ пайдаланыңыз. Жазатайым оқиғалардың көбі электрлік құралдарға дұрыс техникалық қызмет көрсетілмеу себебінен болады.
23. Кесу құралдары өткір және таза болуы керек. Кескіш жиектері өткір кесу құралдарын дұрыс пайдалансаңыз, олар тұрып қалмайды және басқаруға оңай.
24. Электрлік құралды, керек-жарақтарды және қондырмаларды, т.б. жұмыс жағдайы мен орындалатын жұмысты ескере отырып, осы нұсқауларға сәйкес пайдаланыңыз. Электрлік құралды басқа мақсатта пайдаланған жағдайда, қауіпті жағдай туындауы мүмкін.

Қызмет көрсету

25. Электрлік құралды білікті маманға жөндетіп алыңыз, ол тиісті қосалқы бөлшектерді пайдалануы керек. Бұл электрлік құралдың қауіпсіздігін қамтамасыз етеді.
26. Керек-жарақтарды майлау және ауыстыру нұсқауын орындаңыз.
27. Тұтқаларды құрғақ, таза ұстаңыз және майлы болмауын қамтамасыз етіңіз.

1. Соққылау арқылы бұрғылау кезінде құлақ қорғанышын киіңіз. Шуылдың әсері есту қабілетінің жоғалуына әкелуі мүмкін.
2. Егер құралмен бірге берілген болса, қосалқы тұтқа(лар)ды пайдаланыңыз. Құралға ие бола алмай қалсаңыз, жарақат алуыңыз мүмкін.
3. Жұмыс істеп жатқанда, кесуге арналған керек-жарақ жасырын сымға немесе өз шуырына тиіп кетуі мүмкін болса, электр құралды оқшауланған арнайы қысқыштармен ұстаңыз. Кесу құралы кернеулі сымға тиіп кетсе, электрлік құралдың ашық металл бөлшектерінде кернеу пайда болады, нәтижесінде операторды ток соғуы мүмкін.
4. Әрдайым тұрақты жерде тұрғаныңызға көз жеткізіңіз. Құралды биіктікте пайдаланған кезде, төменгі жақта адамдардың жоқ екеніне көз жеткі.
5. Құралды екі қолыңызбен мықтап ұстаңыз.
6. Қолыңызды айналмалы бөлшектерден аулақ ұстаңыз.
7. Құралды қосулы күйде қалдырмаңыз. Құралды тек қолмен ұстап пайдаланыңыз.
8. Қашауды немесе өңдеу бөлшегін пайдаланғаннан кейін бірден ұстауға болмайды. Олар өте ыстық болып, теріні күйдіруі мүмкін.
9. Кейбір материалдарда улы болуы мүмкін химиялық заттар бар. Шаң жұтуға жол бермей, теріге тигізбеңіз. Материал жеткізушісінің қауіпсіздік туралы деректерін қараңыз.

ОСЫ НҰСҚАУЛАРДЫ САҚТАҢЫЗ.

▲ЕСКЕРТУ: Өнімді қайта пайдалану барысында САЛҒЫРТТЫҚ ТАНЫТПАЙ, қауіпсіздік ережелерін ұстанаңыз. Осы пайдалану жөніндегі нұсқаулықта келтірілген қауіпсіздік ережелерін ДҰРЫС ПАЙДАЛАНБАУ немесе орындамау ауыр жарақаттарға әкеп соқтыруы мүмкін.

ФУНКЦИОНАЛДЫҚ СИПАТТАМАСЫ

▲САҚ БОЛЫҢЫЗ:

- Құралдың жұмысын реттемес және тексермес бұрын, әрдайым құралдың өшірулі екендігіне және ажыратылғандығына көз жеткізіңіз.

Ауыстырып-қосқыштың әрекеті

- **Сурет1:** 1. Ауыстырып-қосқыш шүріппесі
2. Құлыптау түймесі

▲САҚ БОЛЫҢЫЗ:

- Құралды қоспас бұрын, әрдайым ауыстырып-қосқыш шүріппесінің дұрыс жұмыс істеп тұрғанына және босатылған кезде "ӨШІРУЛІ" күйіне қайтарылатынына әрқашан көз жеткізіп тұрыңыз.
- Ұзақ пайдалану кезінде оператордың ыңғайлылығы үшін ауыстырып-қосқыш "ҚОСУЛЫ" күйінде құлыптала алады. Құралды "ҚОСУЛЫ" күйінде құлыптау кезінде сақ болыңыз және құралды мықтап ұстаңыз.

Құралды іске қосу үшін жай ғана ауыстырып-қосқыш шүріппесін басыңыз. Құралдың жылдамдығы ауыстырып-қосқыш шүріппесіндегі қысымды арттырған сайын артады. Тоқтату үшін ауыстырып-қосқыш шүріппесін жіберіңіз. Үздіксіз жұмыс істеу үшін ауыстырып-қосқыш шүріппесін тартып, құлыптау түймесін басыңыз. Құралды құлыпталған күйден шығару үшін, ауыстырып-қосқыш шүріппесін толығымен тартып, босатыңыз.

Шамдарды жағу

HP1640F, HP1641F үлгілері үшін

- **Сурет2:** 1. Шам

▲САҚ БОЛЫҢЫЗ:

- Шамға немесе шам көзіне тікелей қарамаңыз.

Шамды жағу үшін, шүріппені тартыңыз. Сөндіру үшін, шүріппені жіберіңіз.

ЕСКЕРТПЕ:

- Шам линзасын тазалау үшін құрғақ шүберекті пайдаланыңыз. Шамның линзасын сызып алмаңыз, әйтпесе ол жарықтандыруды төмендетуі мүмкін.
- Шамның линзасын тазалау үшін жанармайды немесе сұйылтқышты ешқашан пайдаланбаңыз, әйтпесе ол зақымдалуы мүмкін.

Кері айналдыру ауыстырып-қосқышының жұмысы

- **Сурет3:** 1. Кері айналдыру ауыстырып-қосқышы

Бұл құралда айналым бағытын өзгерту үшін кері айналдыру ауыстырып-қосқышы бар. Реверсивті ауыстырып-қосқышы сағат тілімен айналу үшін ◀ күйіне (А жағы) немесе сағат тіліне қарсы айналуы үшін ▶ күйіне (В жағы) жылжытыңыз.

▲САҚ БОЛЫҢЫЗ:

- Жұмыс алдында әрдайым айналым бағытын тексеріңіз.
- Кері айналдыру ауыстырып-қосқышын құрал толығымен тоқтағаннан кейін ғана қолданыңыз. Құрал тоқтамас бұрын айналым бағытын өзгерту құралдың зақымдалуына әкелуі мүмкін.
- Егер ауыстырып-қосқыш шүріппесі басылмаса, реверсивті ауыстырып-қосқыштың ◀ күйіне (А жағы) немесе ▶ күйіне (В жағы) толықтай орнатылғанына көз жеткізіңіз.

Әрекет ету режимін таңдау

- **Сурет4:** 1. Әрекет ету режимін ауыстыру тетігі

Бұл құралда әрекет ету режимін ауыстыру тетігі бар. Соғу арқылы айналдыру үшін, әрекет ету режимінің ауыстыру тетігін оңға (↑ белгісі) қарай сырғытыңыз. Тек айналдыру үшін, әрекет ету режимінің ауыстыру тетігін солға (↓ белгісі) қарай сырғытыңыз.

▲САҚ БОЛЫҢЫЗ:

- Әрекет ету режимін ауыстыру тетігін әрқашан қажетті режим күйіне барынша сырғытыңыз. Егер құралды режим белгілері аралықтарының ортасында орналасқан тетікпен жұмыс жасасаңыз, құрал зақымдалуы мүмкін.

ҚҰРАСТЫРУ

▲САҚ БОЛЫҢЫЗ:

- Құралмен жұмыс істемес бұрын, әрдайым құралдың өшірулі екендігіне және ажыратылғандығына көз жеткізіңіз.

Бүйірлік тұтқышты орнату (көмекші тұтқа)

- **Сурет5:** 1. Бүйірлік тұтқыш

Жұмыс қауіпсіздігін қамтамасыз ету үшін әрқашан бүйірлік тұтқышты пайдаланыңыз. Бүйірлік тұтқышты құрал бөшкесіне орнатыңыз. Содан кейін тұтқышты сағат тілімен бұрау арқылы қажетті күйге қысыңыз. Оны кез келген күйде бекіту үшін, 360°-қа айналдыруға болады.

ЕСКЕРТПЕ:

- Бүйірлік тұтқышты тереңдік өлшегіш орнатылғаннан кейін, 360°-қа айналдыру мүмкін емес.

Бұрғылау ұштығын орнату және алып тастау

HP1640, HP1640F үлгілері үшін

► Сурет6: 1. Қысқының бүйірлі кілті

Ұштықты орнату үшін, қысқы ішіне барынша терең етіп орналастырыңыз. Қысқыны қолмен қысыңыз. Қысқының бүйірлік кілтін әр үш саңылауға орналастырып, сағат тілі бағытымен бекітіңіз. Барлы үш саңылауды міндетті түрде біркелкі қатайтыңыз. Ұштықты алып тастау үшін, тек бір саңылаудағы қысқының бүйірлік кілтін сағат тіліне қарсы бағытта бұрап, содан кейін қысқыны қолмен босатыңыз. Қысқының бүйірлік кілтін пайдаланғаннан соң, оны міндетті түрде бастапқы күйге қайтарыңыз.

HP1641, HP1641F үлгілері үшін

► Сурет7: 1. Жалғастырғыш 2. Сақина

Қысқының жұдырықшасын ашу үшін сақинаны ұстап тұрып, жалғастырғышты сағат тіліне қарсы бағытта бұраңыз. Ұштықты қысқы ішіне барынша терең етіп орналастырыңыз. Қысқыны қатайту үшін сақинаны мықтап ұстап тұрып, бұранданы сағат тіліне қарсы бағытта бұраңыз.

Ұштықты алып тастау үшін, сақинаны ұстап тұрып, жалғастырғышты сағат тіліне қарсы бағытта бұраңыз.

Тереңдік өлшегіш

► Сурет8: 1. Тереңдік өлшегіш 2. Бүйірлік тұтқыш 3. Тұтқыш табаны

Тереңдік өлшегіш тереңдіктері бірдей саңылаулар бұрғылауға ыңғайлы болып табылады. Бүйірлік тұтқышты босатып, тереңдік өлшегішті бүйірлік тұтқыш саңылауына салыңыз. Тереңдік өлшегішті қалаған тереңдікке реттеп, бүйірлік тұтқышты бекітіңіз.

ЕСКЕРТПЕ:

- Тереңдік өлшегішті құрал корпусын соғатындай күйде пайдалануға болмайды.


ПАЙДАЛАНУ

Соқпалы бұрғылау жұмыстары

► Сурет9

▲ САҚ БОЛЫҢИЗ:

- Саңылау бұзылып жатқан сәтте саңылау жоңқа мен бөлшектерге толған кезде немесе соққылаушы шыбықты арматуралар бетонға кіріктірілген кезде, құралда/қашауда кенеттен үлкен бұралу күші пайда болады. Жұмыс жасау кезінде, әрқашан бүйірлік тұтқышты (көмекші тұтқа) пайдаланыңыз және тұтқыштың екі беті мен ауыстырып-қосқыштың тұтқасын мықтап ұстаңыз. Әйтпесе құралды басқару мүмкіндігі жоғалып, ықтимал ауыр жарақат алуға себеп болуы мүмкін.

Бетон, гранит, тақтайшаларды және т.б. бұрғылау кезінде, "соққылау арқылы айналдыру" әрекетін қолдану үшін, әрекет ету режимінің тетігін  белігісінің күйіне жылжытыңыз. Міндетті түрде карбидті вольфраммен ұсталған қашауды пайдаланыңыз.


Қашауды саңылауға қажетті орынға қойыңыз, содан соң ауыстырып-қосқыш шүріппесін тартыңыз. Құралға күш түсірмеңіз. Аз қысым жақсы нәтижелер береді. Құралды орнында ұстап, саңылаудан сырғып кетуіне жол бермеңіз. Саңылау жоңқа немесе бөлшектерге толған кезде, көбірек қысым түсірмеңіз. Оның орнына, құралды бос жүріске салып, қашауды саңылаудан жартылай шығарып алыңыз. Осы әрекетті бірнеше рет қайталау арқылы саңылау тазарады және қалыпты бұрғылау қалпына келуі мүмкін.

Үрлеуіш баллон (қосымша керек-жарақ)

► Сурет10: 1. Үрлеуіш баллон

Саңылауды бұрғылаудан кейін, үрлеуіш баллонды пайдаланып, саңылауды шаңнан тазалаңыз.

Бұрғылау жұмыстары

Ағаш, металл, пластик материалдарды және т.б. бұрғылау кезінде, "тек айналдыру" әрекетін қолдану үшін, әрекет ету режимінің тетігін  белігісінің күйіне жылжытыңыз.

Ағашта бұрғылау

Ағашта бұрғылау кезінде, бағыттаушы бұрандамен жабдықталған ағаш бұрғысы көмегімен жақсы нәтижеге қол жеткізуге болады. Бағыттаушы бұранда қашауды өңдеу бөлшегіне қарай тарту арқылы, бұрғылауды оңайлатады.

Металды бұрғылау

Саңылау жасауды бастау кезінде, қашаудың сырғуына жол бермеу үшін бұрғылау қажет нүктені балғамен ортасынан ұру арқылы қуыс жасау қажет. Қашаудың ұшын қуысқа қойып, бұрғылауды бастаңыз. Металды бұрғылау кезінде кесу майын пайдаланыңыз. Құрғақ күйде бұрғылау қажет темір мен мыс ерекше жағдай болып табылады.

▲ САҚ БОЛЫҢИЗ:

- Құрылғыны шамадан тыс басу бұрғылауды тездетпейді. Шындығында, шамадан тыс қысым тек қашауыңыздың ұшын зақымдайды, құралдың өнімділігін және құралдың қызмет ету мерзімін қысқартады.
- Саңылаудың бұзылуы кезінде құралға/қашауға орасан зор күш түсіріледі. Қашау өңдеу бөлшегін бұза бастағанда, құралды мықтап ұстаңыз және сақ болыңыз.
- Қыстырылып қалған қашауды кері қарай шығуы үшін реверсивті ауыстырып-қосқышты кері бағытта айналу күйіне орнату арқылы оңай шығарып алуға болады. Дегенмен құралды қатты ұстамасаңыз, кенеттен артқа ыршуы мүмкін.
- Кішкентай өңдеу бөлшегін әрқашан қысқышта немесе соған ұқсас ұстап тұратын құрылғымен бекітіңіз.

ТЕХНИКАЛЫҚ ҚЫЗМЕТ КӨРСЕТУ

⚠️ **САҚ БОЛЫҢЫЗ:**

- Тексеру немесе техникалық қызмет көрсету жұмыстарын жүргізбес бұрын, әрдайым құралдың өшірулі екендігіне және желіден ажыратылғанына көз жеткізіңіз.

НАЗАР САЛЫҢЫЗ:

- Жанармайды, бензинді, сұйылтқышты, спиртті немесе соған ұқсас заттарды ешқашан пайдаланбаңыз. Нәтижесінде түссіздену, құрал пішінінің өзгеруі немесе жарықтар пайда болуы мүмкін.

Өнімнің ҚАУІПСІЗДІГІ мен СЕНІМДІЛІГІН қамтамасыз ету үшін жөндеу жұмыстары, графитті қылшақты тексеру және алмастыру, кез келген басқа техникалық қызмет көрсету немесе реттеу жұмыстары Makita компаниясының өкілетті қызмет көрсету орталықтары тарапынан (Makita қосалқы бөлшектерін қолдана отырып) орындалуы керек.

ҚОСЫМША КЕРЕК-ЖАРАҚТАР

⚠️ **САҚ БОЛЫҢЫЗ:**

- Бұл керек-жарақтар мен қондырмаларды осы нұсқаулықта көрсетілген Makita құралымен бірге пайдаланған дұрыс. Басқа керек-жарақтар мен қондырмаларды пайдалану адамдардың жарақаттануына әкелуі мүмкін. Керек-жарақты немесе қондырманы тек мақсатына сәйкес қолданыңыз.

Осы керек-жарақтар туралы қосымша мәлімет алу үшін, жергілікті Makita қызмет көрсету орталығына хабарласыңыз.

- Карбидті вольфраммен ұшталған соқпалы ұштық
- Сақиналы ара
- Үрлеуіш баллон
- Қорғаныш көзілдіріктері
- Кілтсіз бұрғылау қысқысы 13
- Қысқының бүйірлі кілті
- Тұтқыш жинағы
- Тереңдік өлшегіш
- Пластиктен жасалған тасымалдау кейсі

ЕСКЕРТПЕ:

- Тізімдегі кейбір элементтер стандартты керек-жарақтар ретінде құралдың қаптамасында болуы мүмкін. Олар елге байланысты әртүрлі болуы мүмкін.

Makita Europe N.V. Jan-Baptist Vinkstraat 2,
3070 Kortenberg, Belgium

Makita Corporation 3-11-8, Sumiyoshi-cho,
Anjo, Aichi 446-8502 Japan