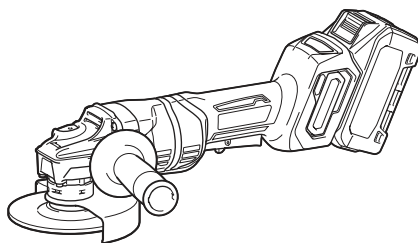
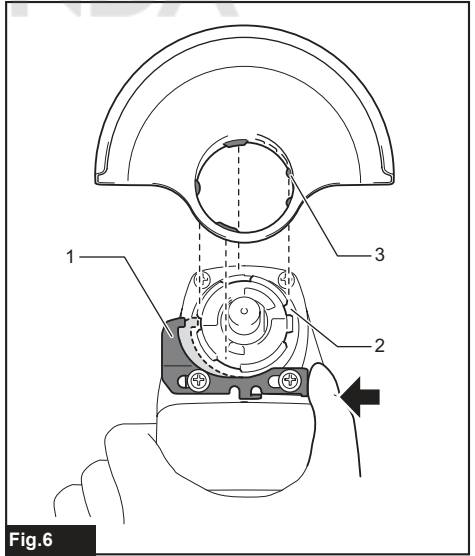
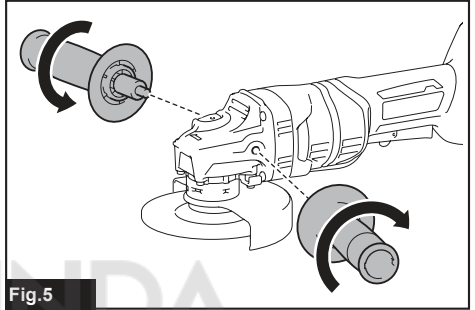
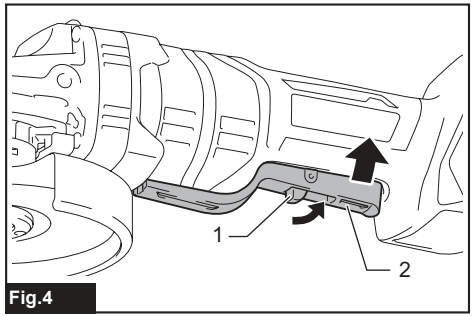
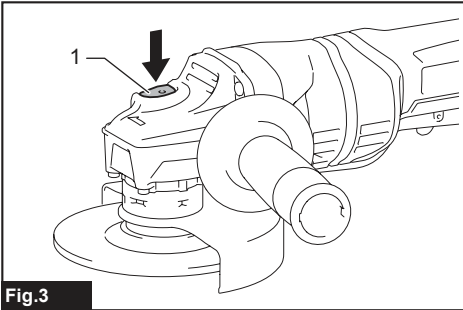
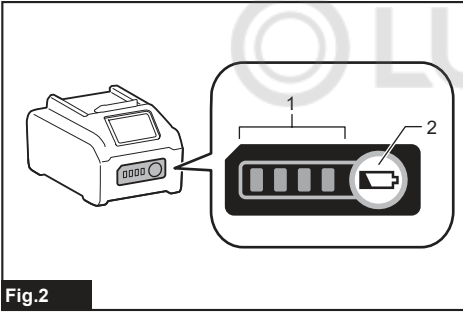
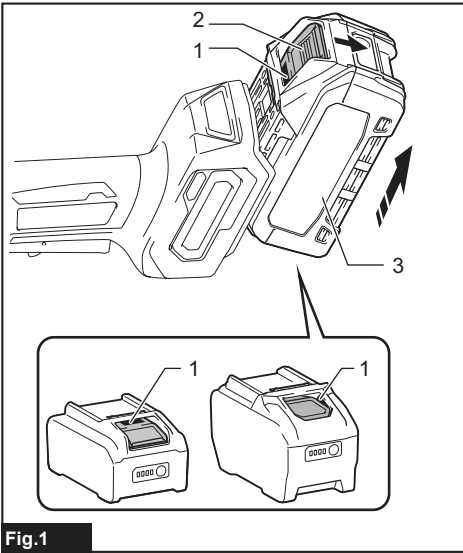




<b>EN</b>	Cordless Angle Grinder	<b>INSTRUCTION MANUAL</b>	<b>8</b>
<b>SV</b>	Batteridrivnen vinkelslipmaskin	<b>BRUKSANVISNING</b>	<b>22</b>
<b>NO</b>	Batteridrevet vinkelsliper	<b>BRUKSANVISNING</b>	<b>36</b>
<b>FI</b>	Akkukäyttöinen kulmahiomakone	<b>KÄYTTÖOHJE</b>	<b>50</b>
<b>DA</b>	Ledningsfri vinkelsliber	<b>BRUGSANVISNING</b>	<b>64</b>
<b>LV</b>	Bezvada leņķa slīpmašīna	<b>LIETOŠANAS INSTRUKCIJA</b>	<b>78</b>
<b>LT</b>	Belaidis kampinis šlifuoκlis	<b>NAUDOJIMO INSTRUKCIJA</b>	<b>92</b>
<b>ET</b>	Juhtmeta nurklihvija	<b>KASUTUSJUHEND</b>	<b>106</b>
<b>RU</b>	Акумуляторная угловая шлифмашина	<b>РУКОВОДСТВО ПО ЭКСПЛУАТАЦИИ</b>	<b>120</b>

**GA048G**  
**GA049G**  
**GA050G**  
**GA051G**





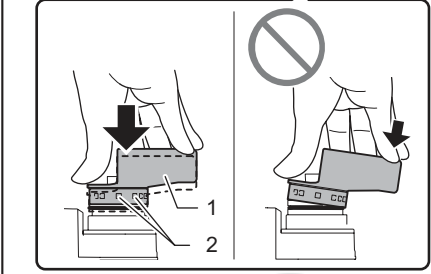
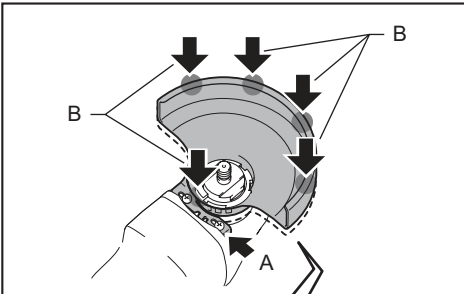


Fig.7

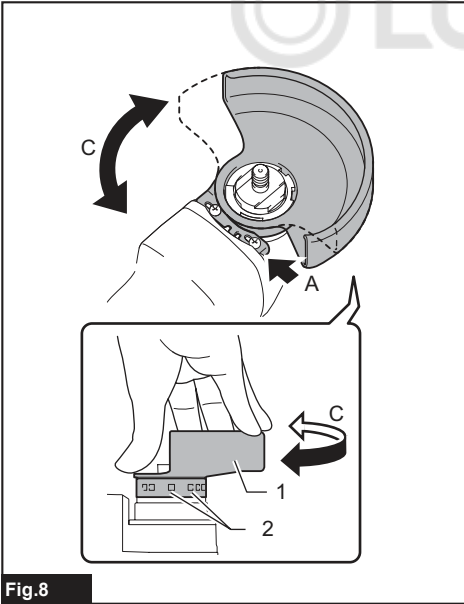


Fig.8

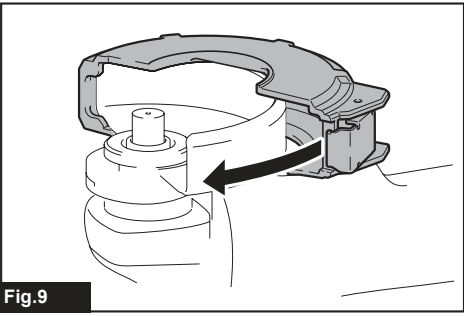


Fig.9

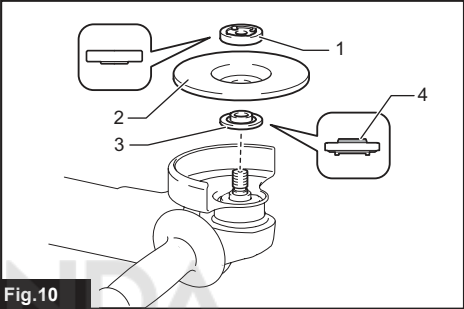


Fig.10

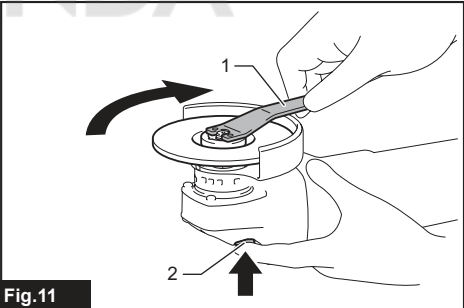


Fig.11

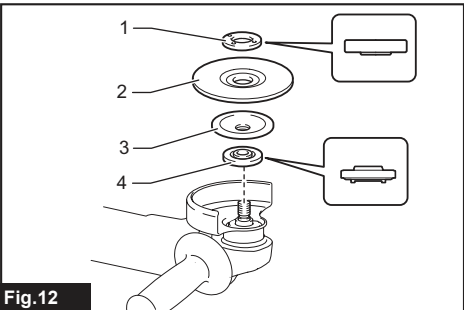


Fig.12

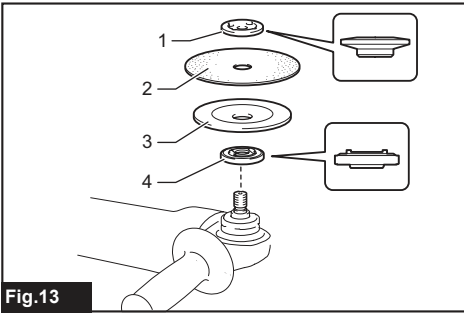


Fig.13

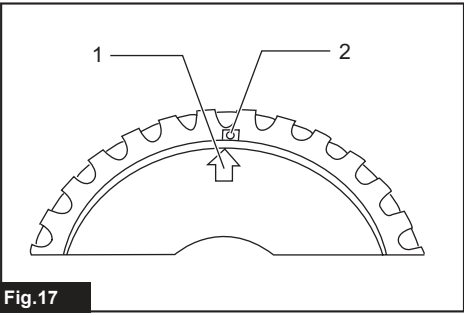


Fig.17

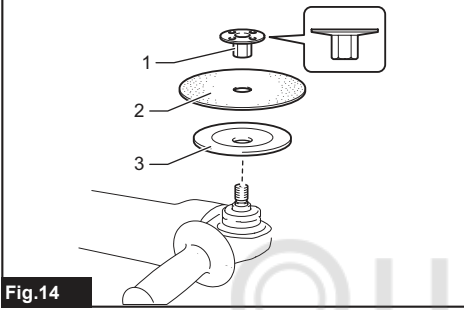


Fig.14

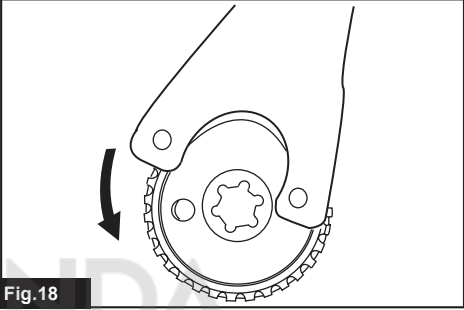


Fig.18

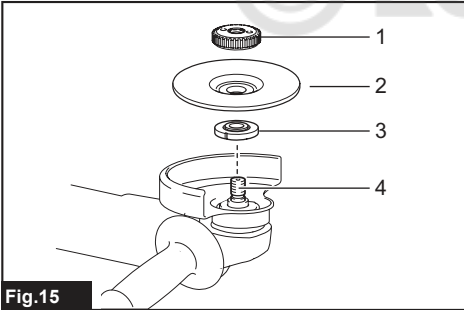


Fig.15

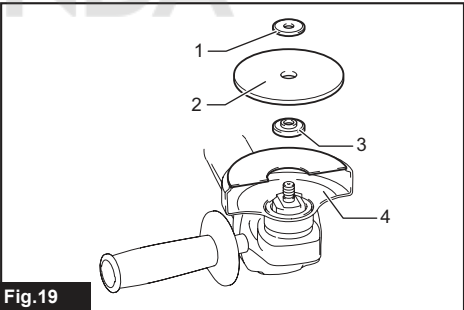


Fig.19

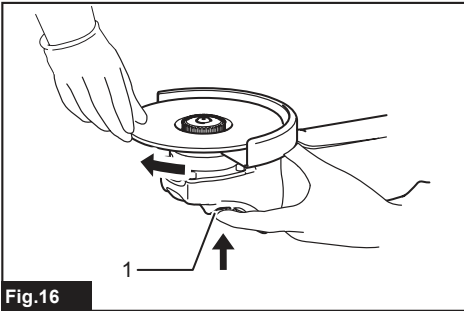


Fig.16

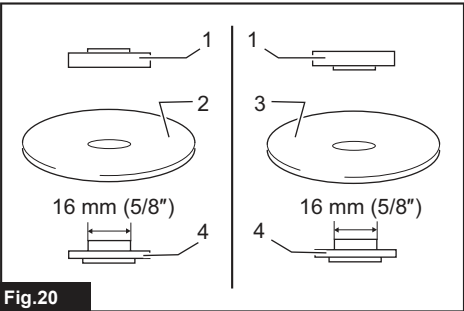


Fig.20

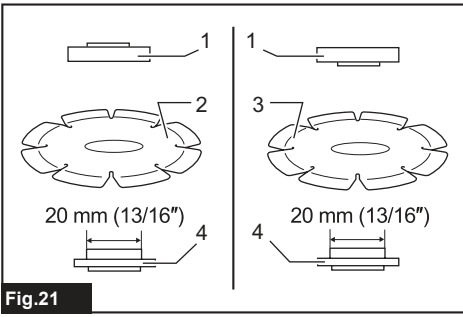


Fig.21

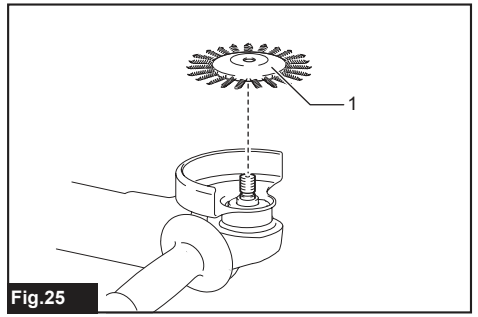


Fig.25

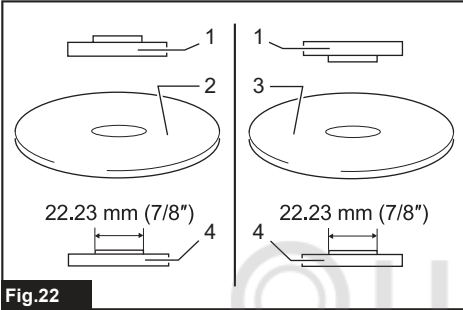


Fig.22

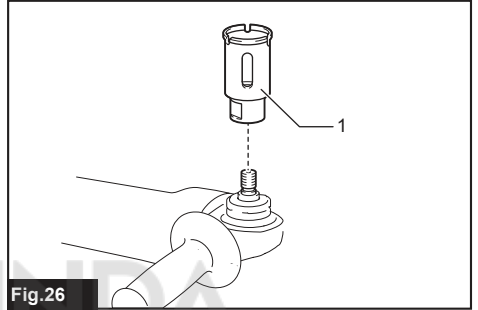


Fig.26

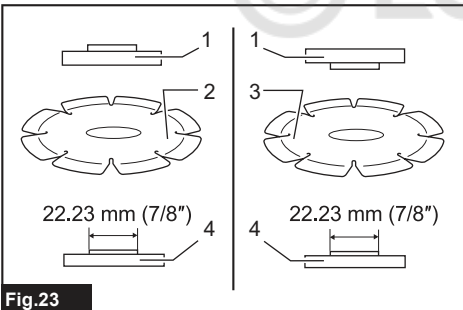


Fig.23

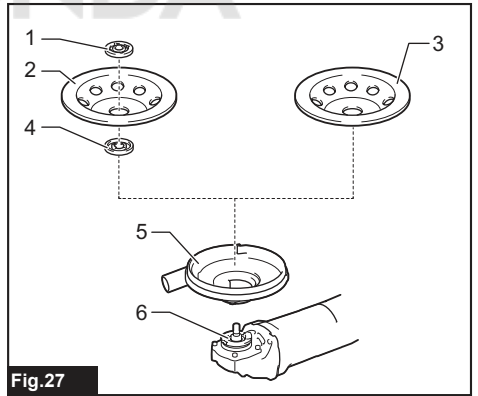


Fig.27

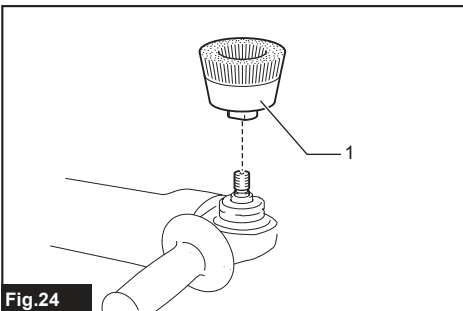


Fig.24

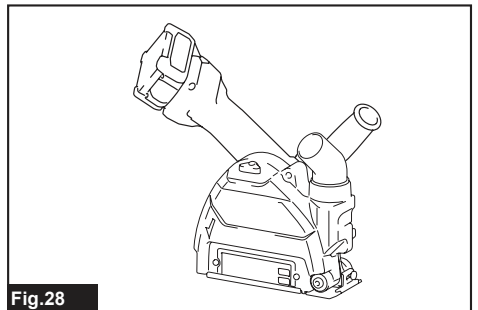
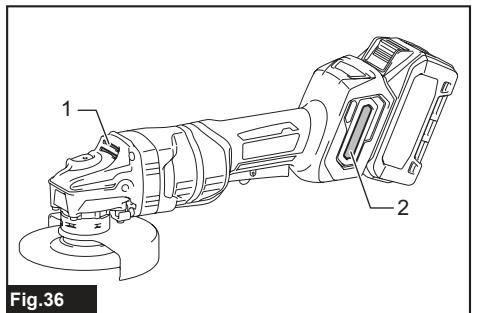
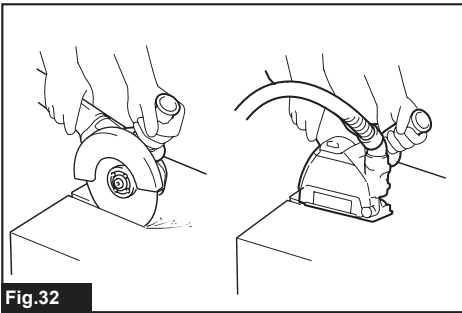
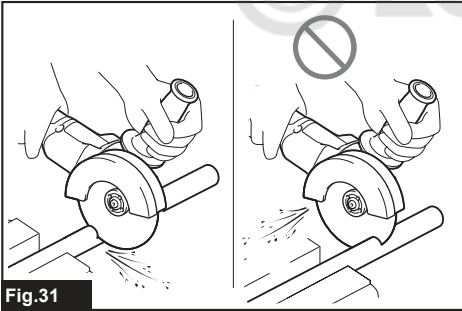
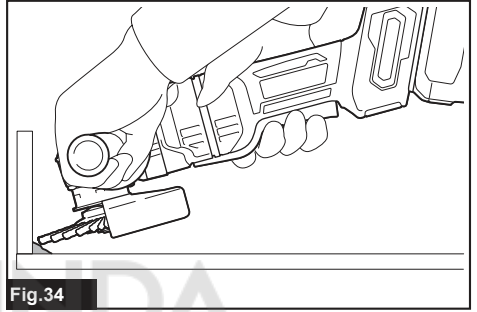
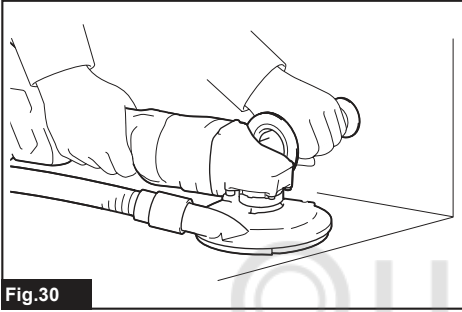
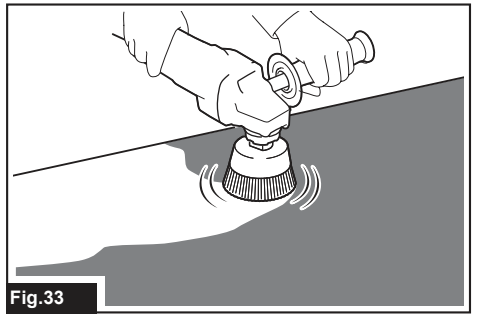
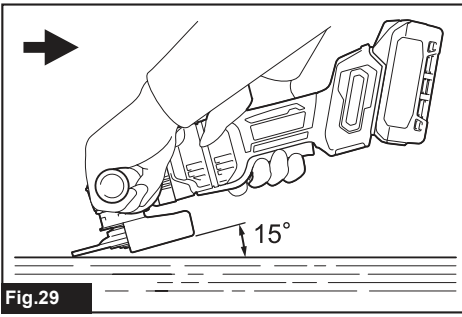
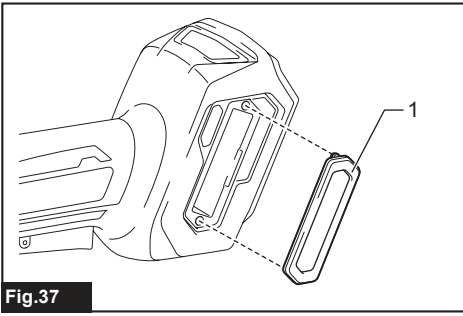


Fig.28





**Fig.37**



# SPECIFICATIONS

Model:		GA048G	GA049G	GA050G	GA051G
Applicable grinding wheel	Max. wheel diameter	100 mm	115 mm	125 mm	150 mm
	Max. wheel thickness	6.4 mm	7.2 mm		6.4 mm
Applicable cut-off wheel	Max. wheel diameter	105 mm	115 mm	125 mm	150 mm
	Max. wheel thickness	3.2 mm			3.0 mm
Applicable wire wheel brush	Max. wheel diameter	100 mm	115 mm	125 mm	
	Max. wheel thickness	20 mm			
Spindle thread		M10	M14 or 5/8" (country specific)		
Max. spindle length		18 mm	23 mm		
No load speed (n <sub>0</sub> ) / Rated speed (n)		11,000 min <sup>-1</sup>			9,000 min <sup>-1</sup>
Overall length (with BL4040)		410 mm			
Net weight		2.8 - 5.2 kg	3.0 - 5.4 kg		3.1 - 4.7 kg
Rated voltage		D.C. 36 V - 40 V max			

- Due to our continuing program of research and development, the specifications herein are subject to change without notice.
- Specifications may differ from country to country.
- The weight may differ depending on the attachment(s), including the battery cartridge. The lightest and heaviest combinations, according to EPTA-Procedure 01/2014, are shown in the table.

## Applicable battery cartridge and charger

Battery cartridge	BL4020 / BL4025* / BL4040* / BL4050F* / BL4080F * : Recommended battery
Charger	DC40RA / DC40RB / DC40RC

- Some of the battery cartridges and chargers listed above may not be available depending on your region of residence.

**⚠ WARNING: Only use the battery cartridges and chargers listed above.** Use of any other battery cartridges and chargers may cause injury and/or fire.

## Recommended cord connected power source

Portable power pack	PDC01 / PDC1200
---------------------	-----------------

- The cord connected power source(s) listed above may not be available depending on your region of residence.
- Before using the cord connected power source, read instruction and cautionary markings on them.

## Symbols

The followings show the symbols which may be used for the equipment. Be sure that you understand their meaning before use.

	Read instruction manual.
	Wear safety glasses.
	Always operate with two hands.
	Do not use the wheel guard for cut-off operations.



Only for EU countries  
Due to the presence of hazardous components in the equipment, waste electrical and electronic equipment, accumulators and batteries may have a negative impact on the environment and human health. Do not dispose of electrical and electronic appliances or batteries with household waste! In accordance with the European Directive on waste electrical and electronic equipment and on accumulators and batteries and waste accumulators and batteries, as well as their adaptation to national law, waste electrical equipment, batteries and accumulators should be stored separately and delivered to a separate collection point for municipal waste, operating in accordance with the regulations on environmental protection.  
This is indicated by the symbol of the crossed-out wheeled bin placed on the equipment.

## Intended use

The tool is intended for grinding, sanding, wire brushing, hole cutting and cutting of metal and stone materials without the use of water.

## Noise

The typical A-weighted noise level determined according to EN62841-2-3:

Model	Sound pressure level ( $L_{pA}$ ) : (dB(A))	Sound power level ( $L_{WA}$ ) : (dB(A))	Uncertainty (K) : (dB(A))
GA048G	84	92	3
GA049G	85	93	3
GA050G	85	93	3
GA051G	85	93	3

**NOTE:** The declared noise emission value(s) has been measured in accordance with a standard test method and may be used for comparing one tool with another.

**NOTE:** The declared noise emission value(s) may also be used in a preliminary assessment of exposure.

**⚠ WARNING:** Wear ear protection.

**⚠ WARNING:** The noise emission during actual use of the power tool can differ from the declared value(s) depending on the ways in which the tool is used especially what kind of workpiece is processed.

**⚠ WARNING:** Be sure to identify safety measures to protect the operator that are based on an estimation of exposure in the actual conditions of use (taking account of all parts of the operating cycle such as the times when the tool is switched off and when it is running idle in addition to the trigger time).

**⚠ WARNING:** Grinding thin sheets of metal or other easily vibrating structures with a large surface can result in a total noise emission much higher (up to 15 dB) than the declared noise emission values.

Set heavy flexible damping mats or such to those workpieces to prevent them from emitting sound.

Take the increased noise emission into consideration for both the risk assessment of noise exposure and selecting adequate hearing protection.

## Vibration

The vibration total value (tri-axial vector sum) determined according to EN62841-2-3:

**Work mode: surface grinding with normal side grip**

Model	Vibration emission ( $a_{hv, AG}$ ) : ( $m/s^2$ )	Uncertainty (K) : ( $m/s^2$ )
GA048G	8.2	1.5
GA049G	8.5	1.5
GA050G	8.9	2.2
GA051G	12.1	1.5

**Work mode: surface grinding with anti vibration side grip**

Model	Vibration emission ( $a_{hv, AG}$ ) : ( $m/s^2$ )	Uncertainty (K) : ( $m/s^2$ )
GA048G	7.1	1.5
GA049G	7.7	1.5
GA050G	8.8	1.5
GA051G	12.7	1.6

**Work mode: disc sanding with normal side grip**

Model	Vibration emission ( $a_{hv, DS}$ ) : ( $m/s^2$ )	Uncertainty (K) : ( $m/s^2$ )
GA048G	2.5 $m/s^2$ or less	1.5
GA049G	2.8	1.5
GA050G	2.6	1.5
GA051G	3.1	1.5

## Work mode: disc sanding with anti vibration side grip

Model	Vibration emission ( $a_{hr, DS}$ ) : ( $m/s^2$ )	Uncertainty (K) : ( $m/s^2$ )
GA048G	2.5 $m/s^2$ or less	1.5
GA049G	2.8	1.5
GA050G	2.5	1.5
GA051G	3.5	1.5

**NOTE:** The declared vibration total value(s) has been measured in accordance with a standard test method and may be used for comparing one tool with another.

**NOTE:** The declared vibration total value(s) may also be used in a preliminary assessment of exposure.

**⚠WARNING:** The vibration emission during actual use of the power tool can differ from the declared value(s) depending on the ways in which the tool is used especially what kind of workpiece is processed.

**⚠WARNING:** Be sure to identify safety measures to protect the operator that are based on an estimation of exposure in the actual conditions of use (taking account of all parts of the operating cycle such as the times when the tool is switched off and when it is running idle in addition to the trigger time).

**⚠WARNING:** The declared vibration emission value is used for main applications of the power tool. However if the power tool is used for other applications, the vibration emission value may be different.

## Declarations of Conformity

### For European countries only

The Declarations of conformity are included in Annex A to this instruction manual.

## SAFETY WARNINGS

### General power tool safety warnings

**⚠WARNING** Read all safety warnings, instructions, illustrations and specifications provided with this power tool. Failure to follow all instructions listed below may result in electric shock, fire and/or serious injury.

### Save all warnings and instructions for future reference.

The term "power tool" in the warnings refers to your mains-operated (corded) power tool or battery-operated (cordless) power tool.

### Cordless grinder safety warnings

Safety warnings common for grinding, sanding, wire brushing, or cutting-off operations:

1. This power tool is intended to function as a grinder, sander, wire brush, hole cutter or cut-off tool. Read all safety warnings, instructions, illustrations and specifications provided with this power tool. Failure to follow all instructions listed below may result in electric shock, fire and/or serious injury.
2. Operations such as polishing are not to be performed with this power tool. Operations for which the power tool was not designed may create a hazard and cause personal injury.
3. Do not convert this power tool to operate in a way which is not specifically designed and specified by the tool manufacturer. Such a conversion may result in a loss of control and cause serious personal injury.
4. Do not use accessories which are not specifically designed and specified by the tool manufacturer. Just because the accessory can be attached to your power tool, it does not assure safe operation.
5. The rated speed of the accessory must be at least equal to the maximum speed marked on the power tool. Accessories running faster than their rated speed can break and fly apart.
6. The outside diameter and the thickness of your accessory must be within the capacity rating of your power tool. Incorrectly sized accessories cannot be adequately guarded or controlled.
7. The dimensions of the accessory mounting must fit the dimensions of the mounting hardware of the power tool. Accessories that do not match the mounting hardware of the power tool will run out of balance, vibrate excessively and may cause loss of control.
8. Do not use a damaged accessory. Before each use inspect the accessory such as abrasive wheels for chips and cracks, backing pad for cracks, tear or excess wear, wire brush for loose or cracked wires. If power tool or accessory is dropped, inspect for damage or install an undamaged accessory. After inspecting and installing an accessory, position yourself and bystanders away from the plane of the rotating accessory and run the power tool at maximum no-load speed for one minute. Damaged accessories will normally break apart during this test time.
9. Wear personal protective equipment. Depending on application, use face shield, safety goggles or safety glasses. As appropriate, wear dust mask, hearing protectors, gloves and workshop apron capable of stopping small abrasive or workpiece fragments. The eye protection must be capable of stopping flying debris generated by various applications. The dust mask or respirator must be capable of filtering particles generated by the particular application. Prolonged exposure to high intensity noise may cause hearing loss.

10. **Keep bystanders a safe distance away from work area. Anyone entering the work area must wear personal protective equipment.** Fragments of workpiece or of a broken accessory may fly away and cause injury beyond immediate area of operation.
11. **Hold the power tool by insulated gripping surfaces only, when performing an operation where the cutting tool may contact hidden wiring.** Contact with a "live" wire will also make exposed metal parts of the power tool "live" and could give the operator an electric shock.
12. **Never lay the power tool down until the accessory has come to a complete stop.** The spinning accessory may grab the surface and pull the power tool out of your control.
13. **Do not run the power tool while carrying it at your side.** Accidental contact with the spinning accessory could snag your clothing, pulling the accessory into your body.
14. **Regularly clean the power tool's air vents.** The motor's fan will draw the dust inside the housing and excessive accumulation of powdered metal may cause electrical hazards.
15. **Do not operate the power tool near flammable materials.** Sparks could ignite these materials.
16. **Do not use accessories that require liquid coolants.** Using water or other liquid coolants may result in electrocution or shock.

#### **Kickback and related warnings:**

Kickback is a sudden reaction to a pinched or snagged rotating wheel, backing pad, brush or any other accessory. Pinching or snagging causes rapid stalling of the rotating accessory which in turn causes the uncontrolled power tool to be forced in the direction opposite of the accessory's rotation at the point of the binding. For example, if an abrasive wheel is snagged or pinched by the workpiece, the edge of the wheel that is entering into the pinch point can dig into the surface of the material causing the wheel to climb out or kick out. The wheel may either jump toward or away from the operator, depending on direction of the wheel's movement at the point of pinching. Abrasive wheels may also break under these conditions.

Kickback is the result of power tool misuse and/or incorrect operating procedures or conditions and can be avoided by taking proper precautions as given below.

1. **Maintain a firm grip with both hands on the power tool and position your body and arms to allow you to resist kickback forces. Always use auxiliary handle, if provided, for maximum control over kickback or torque reaction during start-up.** The operator can control torque reactions or kickback forces, if proper precautions are taken.
2. **Never place your hand near the rotating accessory.** Accessory may kickback over your hand.
3. **Do not position your body in the area where power tool will move if kickback occurs.** Kickback will propel the tool in direction opposite to the wheel's movement at the point of snagging.
4. **Use special care when working corners, sharp edges, etc. Avoid bouncing and snagging the accessory.** Corners, sharp edges or bouncing have a tendency to snag the rotating accessory and cause loss of control or kickback.

5. **Do not attach a saw chain woodcarving blade, segmented diamond wheel with a peripheral gap greater than 10 mm or toothed saw blade.** Such blades create frequent kickback and loss of control.

#### **Safety warnings specific for grinding and cutting-off operations:**

1. **Use only wheel types that are specified for your power tool and the specific guard designed for the selected wheel.** Wheels for which the power tool was not designed cannot be adequately guarded and are unsafe.
2. **The grinding surface of centre depressed wheels must be mounted below the plane of the guard lip.** An improperly mounted wheel that projects through the plane of the guard lip cannot be adequately protected.
3. **The guard must be securely attached to the power tool and positioned for maximum safety, so the least amount of wheel is exposed towards the operator.** The guard helps to protect the operator from broken wheel fragments, accidental contact with wheel and sparks that could ignite clothing.
4. **Wheels must be used only for specified applications. For example: do not grind with the side of cut-off wheel.** Abrasive cut-off wheels are intended for peripheral grinding, side forces applied to these wheels may cause them to shatter.
5. **Always use undamaged wheel flanges that are of correct size and shape for your selected wheel.** Proper wheel flanges support the wheel thus reducing the possibility of wheel breakage. Flanges for cut-off wheels may be different from grinding wheel flanges.
6. **Do not use worn down wheels from larger power tools.** A wheel intended for larger power tool is not suitable for the higher speed of a smaller tool and may burst.
7. **When using dual purpose wheels always use the correct guard for the application being performed.** Failure to use the correct guard may not provide the desired level of guarding, which could lead to serious injury.

#### **Additional safety warnings specific for cutting-off operations:**

1. **Do not "jam" the cut-off wheel or apply excessive pressure. Do not attempt to make an excessive depth of cut.** Overstressing the wheel increases the loading and susceptibility to twisting or binding of the wheel in the cut and the possibility of kickback or wheel breakage.
2. **Do not position your body in line with and behind the rotating wheel.** When the wheel, at the point of operation, is moving away from your body, the possible kickback may propel the spinning wheel and the power tool directly at you.
3. **When the wheel is binding or when interrupting a cut for any reason, switch off the power tool and hold it motionless until the wheel comes to a complete stop. Never attempt to remove the cut-off wheel from the cut while the wheel is in motion otherwise kickback may occur.** Investigate and take corrective action to eliminate the cause of wheel binding.

4. **Do not restart the cutting operation in the workpiece. Let the wheel reach full speed and carefully re-enter the cut.** The wheel may bind, walk up or kickback if the power tool is restarted in the workpiece.
5. **Support panels or any oversized workpiece to minimize the risk of wheel pinching and kickback.** Large workpieces tend to sag under their own weight. Supports must be placed under the workpiece near the line of cut and near the edge of the workpiece on both sides of the wheel.
6. **Use extra caution when making a “pocket cut” into existing walls or other blind areas.** The protruding wheel may cut gas or water pipes, electrical wiring or objects that can cause kickback.
7. **Do not attempt to do curved cutting.** Overstressing the wheel increases the loading and susceptibility to twisting or binding of the wheel in the cut and the possibility of kickback or wheel breakage, which can lead to serious injury.
8. **Before using a segmented diamond wheel, make sure that the diamond wheel has the peripheral gap between segments of 10 mm or less, only with a negative rake angle.**
7. **Do not leave the tool running. Operate the tool only when hand-held.**
8. **Do not touch the workpiece immediately after operation; it may be extremely hot and could burn your skin.**
9. **Do not touch accessories immediately after operation; it may be extremely hot and could burn your skin.**
10. **Observe the instructions of the manufacturer for correct mounting and use of wheels and accessories.** Incorrect mounting and use may result in personal injury.
11. **Handle and store wheels with care.**
12. **Do not use separate reducing bushings or adaptors to adapt large hole abrasive wheels.**
13. **Use only flanges specified for this tool.**
14. **For tools intended to be fitted with threaded hole wheel, ensure that the thread in the wheel is long enough to accept the spindle length.**
15. **Check that the workpiece is properly supported.**
16. **Pay attention that the wheel continues to rotate after the tool is switched off.**

#### Safety warnings specific for sanding operations:

1. **Use proper sized sanding disc paper. Follow manufacturers recommendations, when selecting sanding paper.** Larger sanding paper extending too far beyond the sanding pad presents a laceration hazard and may cause snagging, tearing of the disc or kickback.
17. **If working place is extremely hot and humid, or badly polluted by conductive dust, use a short-circuit breaker (30 mA) to assure operator safety.**
18. **Do not use the tool on any materials containing asbestos.**
19. **When use cut-off wheel, always work with the dust collecting wheel guard if required by domestic regulation.**

#### Safety warnings specific for wire brushing operations:

1. **Be aware that wire bristles are thrown by the brush even during ordinary operation. Do not overstress the wires by applying excessive load to the brush.** The wire bristles can easily penetrate light clothing and/or skin.
2. **If the use of a guard is specified for wire brushing, do not allow any interference of the wire wheel or brush with the guard.** Wire wheel or brush may expand in diameter due to work load and centrifugal forces.
20. **Cutting discs must not be subjected to any lateral pressure.**
21. **Do not use cloth work gloves during operation.** Fibers from cloth gloves may enter the tool, which causes tool breakage.
22. **Before operation, make sure that there is no buried object such as electric pipe, water pipe or gas pipe in the workpiece.** Otherwise, it may cause an electric shock, electrical leakage or gas leak.
23. **If a blotter is attached to the wheel, do not remove it. The diameter of the blotter must be larger than the lock nut, outer flange, and inner flange.**
24. **Before installing a grinding wheel, always check that the blotter part does not have any abnormalities such as chips or cracks.**
25. **Tighten the lock nut properly.** Overtightening the wheel can cause breakage and insufficient tightening can cause fluttering.

#### Additional Safety Warnings:

1. **When using depressed centre grinding wheels, be sure to use only fiberglass-reinforced wheels.**
2. **NEVER USE Stone Cup type wheels with this grinder.** This grinder is not designed for these types of wheels and the use of such a product may result in serious personal injury.
3. **Be careful not to damage the spindle, the flange (especially the installing surface) or the lock nut. Damage to these parts could result in wheel breakage.**
4. **Make sure the wheel is not contacting the workpiece before the switch is turned on.**
5. **Before using the tool on an actual workpiece, let it run for a while. Watch for vibration or wobbling that could indicate poor installation or a poorly balanced wheel.**
6. **Use the specified surface of the wheel to perform the grinding.**

## SAVE THESE INSTRUCTIONS.

**⚠WARNING:** DO NOT let comfort or familiarity with product (gained from repeated use) replace strict adherence to safety rules for the subject product. MISUSE or failure to follow the safety rules stated in this instruction manual may cause serious personal injury.

## Important safety instructions for battery cartridge

1. Before using battery cartridge, read all instructions and cautionary markings on (1) battery charger, (2) battery, and (3) product using battery.
2. Do not disassemble or tamper with the battery cartridge. It may result in a fire, excessive heat, or explosion.
3. If operating time has become excessively shorter, stop operating immediately. It may result in a risk of overheating, possible burns and even an explosion.
4. If electrolyte gets into your eyes, rinse them out with clear water and seek medical attention right away. It may result in loss of your eyesight.
5. Do not short the battery cartridge:
  - (1) Do not touch the terminals with any conductive material.
  - (2) Avoid storing battery cartridge in a container with other metal objects such as nails, coins, etc.
  - (3) Do not expose battery cartridge to water or rain.

A battery short can cause a large current flow, overheating, possible burns and even a breakdown.

6. Do not store and use the tool and battery cartridge in locations where the temperature may reach or exceed 50 °C (122 °F).
7. Do not incinerate the battery cartridge even if it is severely damaged or is completely worn out. The battery cartridge can explode in a fire.
8. Do not nail, cut, crush, throw, drop the battery cartridge, or hit against a hard object to the battery cartridge. Such conduct may result in a fire, excessive heat, or explosion.
9. Do not use a damaged battery.
10. The contained lithium-ion batteries are subject to the Dangerous Goods Legislation requirements.

For commercial transports e.g. by third parties, forwarding agents, special requirement on packaging and labeling must be observed.  
For preparation of the item being shipped, consulting an expert for hazardous material is required.  
Please also observe possibly more detailed national regulations.  
Tape or mask off open contacts and pack up the battery in such a manner that it cannot move around in the packaging.
11. When disposing the battery cartridge, remove it from the tool and dispose of it in a safe place. Follow your local regulations relating to disposal of battery.
12. Use the batteries only with the products specified by Makita. Installing the batteries to non-compliant products may result in a fire, excessive heat, explosion, or leak of electrolyte.

13. If the tool is not used for a long period of time, the battery must be removed from the tool.
14. During and after use, the battery cartridge may take on heat which can cause burns or low temperature burns. Pay attention to the handling of hot battery cartridges.
15. Do not touch the terminal of the tool immediately after use as it may get hot enough to cause burns.
16. Do not allow chips, dust, or soil stuck into the terminals, holes, and grooves of the battery cartridge. It may cause heating, catching fire, burst and malfunction of the tool or battery cartridge, resulting in burns or personal injury.
17. Unless the tool supports the use near high-voltage electrical power lines, do not use the battery cartridge near high-voltage electrical power lines. It may result in a malfunction or breakdown of the tool or battery cartridge.
18. Keep the battery away from children.

## SAVE THESE INSTRUCTIONS.

**CAUTION:** Only use genuine Makita batteries. Use of non-genuine Makita batteries, or batteries that have been altered, may result in the battery bursting causing fires, personal injury and damage. It will also void the Makita warranty for the Makita tool and charger.

## Tips for maintaining maximum battery life

1. Charge the battery cartridge before completely discharged. Always stop tool operation and charge the battery cartridge when you notice less tool power.
2. Never recharge a fully charged battery cartridge. Overcharging shortens the battery service life.
3. Charge the battery cartridge with room temperature at 10 °C - 40 °C (50 °F - 104 °F). Let a hot battery cartridge cool down before charging it.
4. When not using the battery cartridge, remove it from the tool or the charger.
5. Charge the battery cartridge if you do not use it for a long period (more than six months).

## FUNCTIONAL DESCRIPTION

**⚠ WARNING:** Always be sure that the tool is switched off and the battery cartridge is removed before adjusting or checking function on the tool.

### Installing or removing battery cartridge

**⚠ CAUTION:** Always switch off the tool before installing or removing of the battery cartridge.

**⚠ CAUTION:** Hold the tool and the battery cartridge firmly when installing or removing battery cartridge. Failure to hold the tool and the battery cartridge firmly may cause them to slip off your hands and result in damage to the tool and battery cartridge and a personal injury.

► **Fig.1:** 1. Red indicator 2. Button 3. Battery cartridge

To remove the battery cartridge, slide it from the tool while sliding the button on the front of the cartridge.

To install the battery cartridge, align the tongue on the battery cartridge with the groove in the housing and slip it into place. Insert it all the way until it locks in place with a little click. If you can see the red indicator as shown in the figure, it is not locked completely.

**⚠ CAUTION:** Always install the battery cartridge fully until the red indicator cannot be seen. If not, it may accidentally fall out of the tool, causing injury to you or someone around you.

**⚠ CAUTION:** Do not install the battery cartridge forcibly. If the cartridge does not slide in easily, it is not being inserted correctly.

### Indicating the remaining battery capacity

Press the check button on the battery cartridge to indicate the remaining battery capacity. The indicator lamps light up for a few seconds.

► **Fig.2:** 1. Indicator lamps 2. Check button

Indicator lamps			Remaining capacity
Lighted	Off	Blinking	
■	□	▧	75% to 100%
■ ■ ■ ■			
■ ■ ■	□		50% to 75%
■ ■	□ □		25% to 50%
■	□ □ □		0% to 25%
▧	□ □ □		Charge the battery.
■ ■ □ □			The battery may have malfunctioned.
□ □ ■ ■			

**NOTE:** Depending on the conditions of use and the ambient temperature, the indication may differ slightly from the actual capacity.

**NOTE:** The first (far left) indicator lamp will blink when the battery protection system works.

### Tool / battery protection system

The tool is equipped with a tool/battery protection system. This system automatically cuts off power to the motor to extend tool and battery life. The tool will automatically stop during operation if the tool or battery is placed under one of the following conditions:

#### Overload protection

When the tool/battery is operated in a manner that causes it to draw an abnormally high current, the tool automatically stops without any indication. In this situation, turn the tool off and stop the application that caused the tool to become overloaded. Then turn the tool on to restart.

#### Overheat protection

When the tool/battery is overheated, the tool stops automatically. Let the tool cool down before turning the tool on again.

#### Overdischarge protection

When the battery capacity is not enough, the tool stops automatically. In this case, remove the battery from the tool and charge the battery.

#### Releasing protection lock

When the protection system works repeatedly, the tool is locked.

In this situation, the tool does not start even if turning the tool off and on. To release the protection lock, remove the battery, set it to the battery charger and wait until the charging finishes.

#### Protections against other causes

Protection system is also designed for other causes that could damage the tool and allows the tool to stop automatically. Take all the following steps to clear the causes, when the tool has been brought to a temporary halt or stop in operation.

1. Turn the tool off, and then turn it on again to restart.
2. Charge the battery(ies) or replace it/them with recharged battery(ies).
3. Let the tool and battery(ies) cool down.

If no improvement can be found by restoring protection system, then contact your local Makita Service Center.

### Shaft lock

**⚠ WARNING:** Never actuate the shaft lock when the spindle is moving. It may cause serious injury or the tool damage.

Press the shaft lock to prevent spindle rotation when installing or removing accessories.

► **Fig.3:** 1. Shaft lock

## Switch action

**⚠ CAUTION:** Before installing the battery cartridge into the tool, always check to see that the switch lever actuates properly and returns to the "OFF" position when released.

**⚠ CAUTION:** For your safety, this tool is equipped with lock-off lever which prevents the tool from unintended starting. **NEVER** use the tool if it runs when you simply pull the switch lever without pulling the lock-off lever. Return the tool to our authorized service center for proper repairs **BEFORE** further usage.

**⚠ CAUTION:** Do not pull the switch lever hard without pulling the lock-off lever. This can cause switch breakage.

**⚠ CAUTION:** **NEVER** tape down or defeat purpose and function of lock-off lever.

To prevent the switch lever from being accidentally pulled, a lock-off lever is provided. To start the tool, pull the lock-off lever toward the operator and then pull the switch lever.

To stop the tool, release the switch lever.

► **Fig.4:** 1. Lock-off lever 2. Switch lever

## Accidental re-start preventive function

When installing the battery cartridge while the switch is ON, the tool does not start.

To start the tool, turn off the switch, and turn it on again.

## Active Feedback sensing Technology

The tool electronically detects situations where the wheel or accessory may be at risk to be bound. In the situation, the tool is automatically shut off to prevent further rotation of the spindle (it does not prevent kickback).

To restart the tool, switch off the tool first, remove the cause of sudden drop in the rotation speed, and then turn the tool on.

## Soft start feature

Soft start feature reduces starting reaction.

## Electric brake

Electric brake is activated after the tool is switched off. The brake does not work when the power supply is shut down, such as the battery is removed accidentally, with the switch still on.

## ASSEMBLY

**⚠ WARNING:** Always be sure that the tool is switched off and the battery cartridge is removed before adjusting or checking function on the tool.

### Installing side grip (handle)

**⚠ CAUTION:** Always be sure that the side grip is installed securely before operation.

Screw the side grip securely on the position of the tool as shown in the figure.

► **Fig.5**

### Installing or removing wheel guard

**⚠ WARNING:** When using a depressed center wheel, flap disc, flex wheel or wire wheel brush, the wheel guard must be fitted on the tool so that the closed side of the guard always points toward the operator.

**⚠ WARNING:** Make sure that the wheel guard is securely locked by the lock lever with one of the holes on the wheel guard.

**⚠ WARNING:** When using an abrasive cut-off / diamond wheel, be sure to use only the special wheel guard designed for use with cut-off wheels.

### For depressed center wheel, flap disc, flex wheel, wire wheel brush / abrasive cut-off wheel, diamond wheel

1. While pushing the lock lever, mount the wheel guard with the protrusions on the wheel guard aligned with the notches on the bearing box.

► **Fig.6:** 1. Lock lever 2. Notch 3. Protrusion

2. While pushing the lock lever toward A, hold down the portions B of the wheel guard as shown in the figure.

► **Fig.7:** 1. Wheel guard 2. Hole

**NOTE:** Push down the wheel guard straight. Otherwise, you cannot secure the wheel guard.

3. While pushing the lock lever toward A, rotate the wheel guard toward C, and then, change the angle of the wheel guard according to the work so that the operator can be protected. Align the lock lever with one of the holes in the wheel guard, and then release the lock lever to lock the wheel guard.

► **Fig.8:** 1. Wheel guard 2. Hole

To remove wheel guard, follow the installation procedure in reverse.

### Clip-on cutting wheel guard attachment

#### Optional accessory

**NOTE:** For cutting-off operations, a clip-on cutting wheel guard attachment can be used with the wheel guard (for grinding wheel).

Not available in some countries.

► **Fig.9**

## Installing or removing depressed center wheel or flap disc

### Optional accessory

**⚠ WARNING:** When using a depressed center wheel or flap disc, the wheel guard must be fitted on the tool so that the closed side of the guard always points toward the operator.

**⚠ WARNING:** Make sure that the mounting part of the inner flange fits into the inner diameter of the depressed center wheel / flap disc perfectly. Mounting the inner flange on the wrong side may result in the dangerous vibration.

Mount the inner flange onto the spindle. Make sure to fit the dented part of the inner flange onto the straight part at the bottom of the spindle. Fit the depressed center wheel / flap disc on the inner flange and screw the lock nut onto the spindle.

► **Fig.10:** 1. Lock nut 2. Depressed center wheel 3. Inner flange 4. Mounting part

To tighten the lock nut, press the shaft lock firmly so that the spindle cannot revolve, then use the lock nut wrench and securely tighten clockwise.

► **Fig.11:** 1. Lock nut wrench 2. Shaft lock

To remove the wheel, follow the installation procedure in reverse.

## Installing or removing flex wheel

### Optional accessory

**⚠ WARNING:** Always use supplied guard when flex wheel is on the tool. Wheel can shatter during use and guard helps to reduce chances of personal injury.

► **Fig.12:** 1. Lock nut 2. Flex wheel 3. Back up pad 4. Inner flange

Follow instructions for depressed center wheel but also use back up pad over wheel.

## Installing or removing abrasive disc

### Optional accessory

**NOTE:** Use sander accessories specified in this manual. These must be purchased separately.

### For 100 mm (4") model

► **Fig.13:** 1. Sanding lock nut 2. Abrasive disc 3. Rubber pad 4. Inner flange

1. Mount the inner flange onto the spindle.
2. Mount the rubber pad onto the spindle.
3. Fit the disc on the rubber pad and screw the sanding lock nut onto the spindle.
4. Hold the spindle with the shaft lock, and securely tighten the sanding lock nut clockwise with the lock nut wrench.

To remove the disc, follow the installation procedure in reverse.

### For model other than 100 mm (4")

► **Fig.14:** 1. Sanding lock nut 2. Abrasive disc 3. Rubber pad

1. Mount the rubber pad onto the spindle.
2. Fit the disc on the rubber pad and screw the sanding lock nut onto the spindle.
3. Hold the spindle with the shaft lock, and securely tighten the sanding lock nut clockwise with the lock nut wrench.

To remove the disc, follow the installation procedure in reverse.

## Installing or removing Ezynut

### Optional accessory

**Only for tools with M14 spindle thread.**

Mount inner flange, abrasive wheel and Ezynut onto the spindle so that Makita Logo on Ezynut faces outside.

► **Fig.15:** 1. Ezynut 2. Abrasive wheel 3. Inner flange 4. Spindle

Press shaft lock firmly and tighten Ezynut by turning the abrasive wheel clockwise as far as it turns.

► **Fig.16:** 1. Shaft lock

To loosen the Ezynut, turn the outside ring of Ezynut counterclockwise.

**NOTE:** Ezynut can be loosened by hand as long as the arrow points the notch. Otherwise a lock nut wrench is required to loosen it. Insert one pin of the wrench into a hole and turn Ezynut counterclockwise.

► **Fig.17:** 1. Arrow 2. Notch

► **Fig.18**

## Installing abrasive cut-off / diamond wheel

### Optional accessory

**⚠ WARNING:** When using an abrasive cut-off / diamond wheel, be sure to use only the special wheel guard designed for use with cut-off wheels.

**⚠ WARNING:** NEVER use cut-off wheel for side grinding.

**⚠ CAUTION:** When installing the diamond wheel, be sure to align the direction of the arrow on the wheel with the arrow on the tool.

► **Fig.19:** 1. Lock nut 2. Abrasive cut-off wheel / diamond wheel 3. Inner flange 4. Wheel guard for abrasive cut-off wheel / diamond wheel

As for the installation, follow the instructions for depressed center wheel.

The direction for mounting the lock nut and the inner flange varies by wheel type and thickness.

Refer to the following figures.

## For 100 mm (4") model

**When installing the abrasive cut-off wheel:**

- **Fig.20:** 1. Lock nut 2. Abrasive cut-off wheel (Thinner than 4 mm (5/32")) 3. Abrasive cut-off wheel (4 mm (5/32") or thicker) 4. Inner flange

**When installing the diamond wheel:**

- **Fig.21:** 1. Lock nut 2. Diamond wheel (Thinner than 4 mm (5/32")) 3. Diamond wheel (4 mm (5/32") or thicker) 4. Inner flange

## For model other than 100 mm (4")

**When installing the abrasive cut-off wheel:**

- **Fig.22:** 1. Lock nut 2. Abrasive cut-off wheel (Thinner than 4 mm (5/32")) 3. Abrasive cut-off wheel (4 mm (5/32") or thicker) 4. Inner flange

**When installing the diamond wheel:**

- **Fig.23:** 1. Lock nut 2. Diamond wheel (Thinner than 4 mm (5/32")) 3. Diamond wheel (4 mm (5/32") or thicker) 4. Inner flange

## Installing wire cup brush

### Optional accessory

**⚠ CAUTION:** Do not use wire cup brush that is damaged, or which is out of balance. Use of damaged wire cup brush could increase potential for injury from contact with broken brush wires.

Place the tool upside down to allow easy access to the spindle.

Remove any accessories on spindle. Thread wire cup brush onto spindle and tighten with supplied wrench.

- **Fig.24:** 1. Wire cup brush

## Installing wire wheel brush

### Optional accessory

**⚠ CAUTION:** Do not use wire wheel brush that is damaged, or which is out of balance. Use of damaged wire wheel brush could increase potential for injury from contact with broken wires.

**⚠ CAUTION:** ALWAYS use guard with wire wheel brushes, assuring diameter of wheel fits inside guard. Wheel can shatter during use and guard helps to reduce chances of personal injury.

Place the tool upside down to allow easy access to the spindle.

Remove any accessories on spindle. Thread wire wheel brush onto spindle and tighten with the wrenches.

- **Fig.25:** 1. Wire wheel brush

## Installing hole cutter

### Optional accessory

Place the tool upside down to allow easy access to the spindle.

Remove any accessories on the spindle. Thread the hole cutter onto the spindle, and tighten it with the supplied wrench.

- **Fig.26:** 1. Hole cutter

## Installing dust collecting wheel guard for grinding

*Only for model GA049G / GA050G*

### Optional accessory

With optional accessories, you can use this tool for planing concrete surface.

**⚠ CAUTION:** Dust collecting wheel guard for grinding is only for use in planing concrete surface with a cup-type diamond wheel. Do not use this guard with any other cutting accessory or for any other purpose.

**⚠ CAUTION:** Before operation, make sure that a vacuum cleaner is connected to the tool and turned on.

Place the tool upside down and install the dust collecting wheel guard.

Mount the inner flange onto the spindle.

Fit the cup-type diamond wheel on the inner flange and tighten the lock nut onto the spindle.

- **Fig.27:** 1. Lock nut 2. Cup-type diamond wheel 3. Hubbed cup-type diamond wheel 4. Inner flange 5. Dust collecting wheel guard 6. Bearing box

**NOTE:** For information how to install the dust collecting wheel guard, refer to the manual of the dust collecting wheel guard.

## Installing dust collecting wheel guard for cutting-off

*Only for model GA048G / GA049G / GA050G*

### Optional accessory

With optional accessories, you can use this tool for cutting stone materials.

- **Fig.28**

**NOTE:** For information how to install the dust collecting wheel guard, refer to the manual of the dust collecting wheel guard.

## OPERATION

**⚠ WARNING:** It should never be necessary to force the tool. The weight of the tool applies adequate pressure. Forcing and excessive pressure could cause dangerous wheel breakage.

**⚠ WARNING:** ALWAYS replace wheel if tool is dropped while grinding.

**⚠ WARNING:** NEVER hit the workpiece with the wheel.

**⚠ WARNING:** Avoid bouncing and snagging the wheel, especially when working corners, sharp edges etc. This can cause loss of control and kickback.

**⚠ WARNING:** NEVER use tool with wood cutting blades and other saw blades. Such blades when used on a grinder frequently kick and cause loss of control leading to personal injury.

**⚠ CAUTION:** Never switch on the tool when it is in contact with the workpiece, it may cause an injury to operator.

**⚠ CAUTION:** Always wear safety goggles or a face shield during operation.

**⚠ CAUTION:** After operation, always switch off the tool and wait until the wheel has come to a complete stop before putting the tool down.

**⚠ CAUTION:** ALWAYS hold the tool firmly with one hand on housing and the other on the side grip (handle).

**NOTE:** A dual purpose wheel can be used for both grinding and cutting-off operations.

Refer to the "Grinding and sanding operation" for grinding operation, and refer to the "Operation with abrasive cut-off / diamond wheel" for cutting-off operation.

### Grinding and sanding operation

► Fig.29

Turn the tool on and then apply the wheel or disc to the workpiece.

In general, keep the edge of the wheel or disc at an angle of about 15° to the workpiece surface.

During the break-in period with a new wheel, do not work the grinder in forward direction or it may cut into the workpiece. Once the edge of the wheel has been rounded off by use, the wheel may be worked in both forward and backward direction.

**Usage example:** operation with cup-type diamond wheel

► Fig.30

Keep the tool horizontally and apply the entire cup-type diamond wheel to the workpiece surface.

## Operation with abrasive cut-off / diamond wheel

### Optional accessory

**⚠ WARNING:** Do not "jam" the wheel or apply excessive pressure. Do not attempt to make an excessive depth of cut. Overstressing the wheel increases the loading and susceptibility to twisting or binding of the wheel in the cut and the possibility of kickback, wheel breakage and overheating of the motor may occur.

**⚠ WARNING:** Do not start the cutting operation in the workpiece. Let the wheel reach full speed and carefully enter into the cut moving the tool forward over the workpiece surface. The wheel may bind, walk up or kickback if the power tool is started in the workpiece.

**⚠ WARNING:** During cutting operations, never change the angle of the wheel. Placing side pressure on the cut-off wheel (as in grinding) will cause the wheel to crack and break, causing serious personal injury.

**⚠ WARNING:** A diamond wheel shall be operated perpendicular to the material being cut.

**Usage example:** operation with abrasive cut-off wheel

► Fig.31

**Usage example:** operation with diamond wheel

► Fig.32

## Operation with wire cup brush

### Optional accessory

**⚠ CAUTION:** Check operation of wire cup brush by running tool with no load, insuring that no one is in front of or in line with wire cup brush.

**NOTICE:** Avoid applying too much pressure which causes over bending of wires when using the wire cup brush. It may lead to premature breakage.

**Usage example:** operation with wire cup brush

► Fig.33

## Operation with wire wheel brush

### Optional accessory

**⚠ CAUTION:** Check operation of wire wheel brush by running tool with no load, insuring that no one is in front of or in line with the wire wheel brush.

**NOTICE:** Avoid applying too much pressure which causes over bending of wires when using wire wheel brush. It may lead to premature breakage.

**Usage example:** operation with wire wheel brush

► Fig.34

## Operation with hole cutter

### Optional accessory

**⚠ CAUTION:** Check operation of the hole cutter by running the tool with no load, insuring that no one is in front of the hole cutter.

**NOTICE:** Do not tilt the tool during operation. It may lead to premature breakage.

Usage example: operation with hole cutter

► Fig.35

## MAINTENANCE

**⚠ WARNING:** Always be sure that the tool is switched off and the battery cartridge is removed before attempting to perform inspection or maintenance.

**NOTICE:** Never use gasoline, benzine, thinner, alcohol or the like. Discoloration, deformation or cracks may result.

To maintain product SAFETY and RELIABILITY, repairs, any other maintenance or adjustment should be performed by Makita Authorized or Factory Service Centers, always using Makita replacement parts.

### Air vent cleaning

The tool and its air vents have to be kept clean. Regularly clean the tool's air vents or whenever the vents start to become obstructed.

► Fig.36: 1. Exhaust vent 2. Inhalation vent

Remove the dust cover from inhalation vent and clean it for smooth air circulation.

► Fig.37: 1. Dust cover

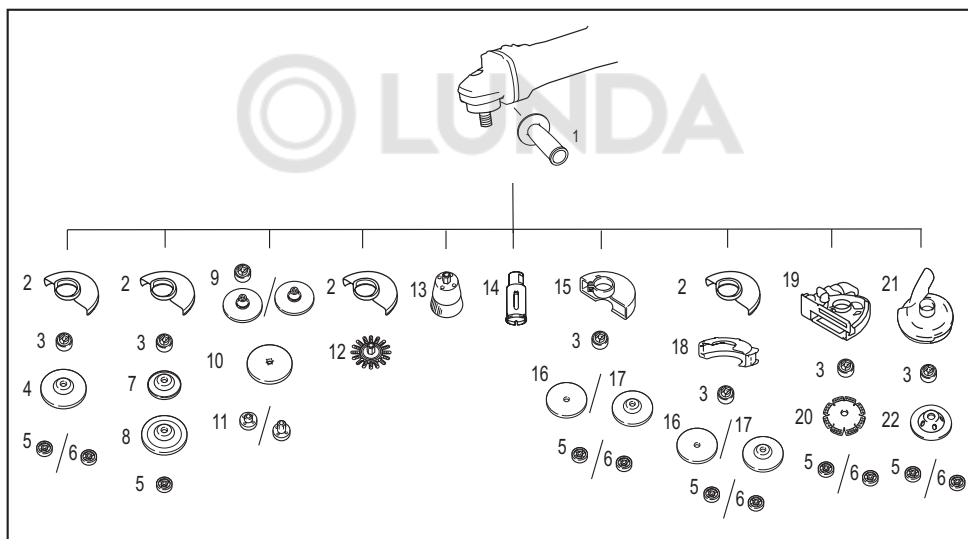
**NOTICE:** Clean out the dust cover when it is clogged with dust or foreign matters. Continuing operation with a clogged dust cover may damage the tool.

# COMBINATION OF APPLICATIONS AND ACCESSORIES

## Optional accessory

**⚠ CAUTION:** Using the tool with incorrect guards can cause risks as follows.

- When using a cut-off wheel guard for facial grinding, the wheel guard may interfere with the workpiece causing poor control.
- When using a grinding wheel guard for cutting-off operations with bonded abrasive wheels and diamond wheels, there is an increased risk of exposure to rotating wheels, emitted sparks and particles, as well as exposure to wheel fragments in the event of wheel burst.
- When using a cut-off wheel guard or grinding wheel guard for facial operations with cup-type diamond wheels, the wheel guard may interfere with the workpiece causing poor control.
- When using a cut-off wheel guard or grinding wheel guard with a wheel-type wire brush with a thickness greater than the maximum thickness as specified in "SPECIFICATIONS", the wires may catch on the guard leading to breaking of wires.
- Use of dust collecting wheel guards for cutting-off and facial operations in concrete or masonry reduces a risk of exposure to dust.
- When using dual purpose (combined grinding and cutting-off abrasive) flange mounted wheels, only use a cut-off wheel guard.



-	Application	100 mm model	115 mm model	125 mm model	150 mm model
1	-	Side grip			
2	-	Wheel guard (for grinding wheel)			
3	-	Inner flange			
4	Grinding / Sanding	Depressed center wheel / Flap disc			
5	-	Lock nut			
6	-	-	Ezynut *1		
7	-	Back up pad			
8	Grinding	Flex wheel			
9	-	Inner flange and rubber pad 76	Rubber pad 100	Rubber pad 115	Rubber pad 125
10	Sanding	Abrasive disc			
11	-	Sanding lock nut			
12	Wire brushing	Wire wheel brush			

-	Application	100 mm model	115 mm model	125 mm model	150 mm model
13	Wire brushing	Wire cup brush			
14	Hole cutting	Hole cutter			
15	-	Wheel guard (for cut-off wheel)			
16	Cutting-off	Abrasive cut-off wheel / Diamond wheel			
17	Grinding / Cutting-off	Dual purpose wheel			-
18	-	Clip-on cutting wheel guard attachment *2			
19	-	Dust collecting wheel guard for cutting-off *3			-
20	Cutting-off	Diamond wheel			-
21	-	-	Dust collecting wheel guard for grinding *4		-
22	Grinding	-	Cup-type diamond wheel *4		-
-	-	Lock nut wrench			

**NOTE:** \*1 Only for tools with M14 spindle thread.

**NOTE:** \*2 Clip-on cutting wheel guard attachment is not available in some countries. For more details, refer to the instruction manual of the clip-on cutting wheel guard attachment.

**NOTE:** \*3 Only for model GA048G / GA049G / GA050G

For more details, refer to each instruction manual of the guard.

**NOTE:** \*4 Only for model GA049G / GA050G

For more details, refer to each instruction manual of the guard.

## OPTIONAL ACCESSORIES

**⚠ CAUTION:** These accessories or attachments are recommended for use with your Makita tool specified in this manual. The use of any other accessories or attachments might present a risk of injury to persons. Only use accessory or attachment for its stated purpose.

If you need any assistance for more details regarding these accessories, ask your local Makita Service Center.

- Makita genuine battery and charger
- Accessories listed in "COMBINATION OF APPLICATIONS AND ACCESSORIES"

**NOTE:** Some items in the list may be included in the tool package as standard accessories. They may differ from country to country.

## SPECIFIKATIONER

Modell:		GA048G	GA049G	GA050G	GA051G
Tillämplig slipskiva	Max. skivdiameter	100 mm	115 mm	125 mm	150 mm
	Max. skivtjocklek	6,4 mm	7,2 mm		6,4 mm
Tillämplig kapskiva	Max. skivdiameter	105 mm	115 mm	125 mm	150 mm
	Max. skivtjocklek	3,2 mm			3,0 mm
Tillämplig skivstålborste	Max. skivdiameter	100 mm	115 mm	125 mm	
	Max. skivtjocklek	20 mm			
Spindelgånga		M10	M14 eller 5/8" (landsspecifikt)		
Max. spindellängd		18 mm	23 mm		
Hastighet utan belastning (n <sub>0</sub> )/nominellt varvtal (n)		11 000 min <sup>-1</sup>			9 000 min <sup>-1</sup>
Total längd (med BL4040)		410 mm			
Nettovikt		2,8 - 5,2 kg	3,0 - 5,4 kg		3,1 - 4,7 kg
Märkspänning		36 V - 40 V likström max			

- På grund av vårt pågående program för forskning och utveckling kan dessa specifikationer ändras utan föregående meddelande.
- Specifikationer kan variera mellan olika länder.
- Vikten kan variera beroende på tillbehören, inklusive batterikassett. Den lättaste och den tyngsta kombinationen enligt EPTA-procedur 01/2014 visas i tabellen.

### Tillgänglig batterikassett och laddare

Batterikassett	BL4020 / BL4025* / BL4040* / BL4050F* / BL4080F *: Rekommenderat batteri
Laddare	DC40RA / DC40RB / DC40RC

- Vissa av batterikassetterna och laddarna på listan ovan kanske inte finns tillgängliga i din region.

**⚠ VARNING: Använd endast batterikassetter och laddare från listan ovan.** Användning av andra batterikassetter och laddare kan orsaka personskada och/eller brand.

### Rekommenderad sladdanslutna strömkälla

Bärbart strömpaket	PDC01 / PDC1200
--------------------	-----------------

- De(n) sladdanslutna strömkällan/strömkällorna på listan ovan kanske inte finns tillgängliga i din region.
- Innan du använder den sladdanslutna strömkällan ska du läsa instruktionen och varningsmärkena på den.

### Symboler

Följande visar symbolerna som kan användas för utrustningen. Se till att du förstår innebörden innan användning.



Läs igenom bruksanvisningen.



Använd skyddsglasögon.



Använd alltid båda händerna.



Använd inte sprängskyddet vid kapning.



Gäller endast inom EU  
P.g.a. förekomsten av farliga komponenter i utrustningen kan avfall innehållande elektrisk och elektronisk utrustning, ackumulatörer och batterier ha negativ inverkan på miljön och människors hälsa.  
Kassera inte elektriska och elektroniska apparater eller batterier ihop med hushållsavfall!  
I enlighet med EU-direktiven om avfall som utgörs av eller innehåller elektrisk och elektronisk utrustning och om batterier och ackumulatörer och förbrukade batterier och ackumulatörer, och dess införlivande i nationell lagstiftning, bör förbrukad elektrisk och elektronisk utrustning, batterier och ackumulatörer förvaras separat och transporteras till en särskild uppsamlingsplats för kommunalt avfall, som drivs i enlighet med regelverket för miljöskydd. Detta anges av symbolen med den överkryssade soptunnan på hjul som sitter på utrustningen.

## Avsedd användning

Verktyget är avsett för slipning, stålborstning, hålskärning och kapning i metall och stenmaterial utan användning av vatten.

## Buller

Den normala bullernivån för A-belastning är bestämd enligt EN62841-2-3:

Modell	Ljudtrycksnivå ( $L_{pA}$ ) : (dB(A))	Ljudeffektnivå ( $L_{WA}$ ) : (dB(A))	Måttolerans (K): (dB(A))
GA048G	84	92	3
GA049G	85	93	3
GA050G	85	93	3
GA051G	85	93	3

**OBS:** Det deklarerade bullervärdet har uppmätts i enlighet med standardtestmetoden och kan användas för jämförandet av en maskin med en annan.

**OBS:** Det deklarerade bulleremissionsvärdet kan också användas i en preliminär bedömning av exponering för vibration.

**⚠ VARNING:** Använd hörselskydd.

**⚠ VARNING:** Bulleremissionen under faktisk användning av maskinen kan skilja sig från det deklarerade värdet, beroende på hur maskinen används och särskilt vilken typ av arbetsstycke som behandlas.

**⚠ VARNING:** Var noga med att identifiera säkerhetsåtgärder för att skydda användaren, vilka är grundade på en uppskattning av graden av exponering för vibrationer under de faktiska användningsförhållandena, (ta, förutom avtryckartiden, med alla delar av användarcykeln i beräkningen, som till exempel tiden då maskinen är avstängd och när den går på tomgång).

**⚠ VARNING:** Slipning av tunna metallplåtar eller andra lättvibrerande strukturer med stor yta kan resultera i en total bulleremission som är mycket högre (upp till 15 dB) än de deklarerade bulleremissionsvärdena.

Sätt på tunga flexibla dämpningsmattor eller liknande på dessa arbetsstycken för att förhindra att de avger ljud.

Ta hänsyn till den ökade bulleremissionen både vid riskbedömningen av bullerexponering och vid val av lämpliga hörselskydd..

## Vibration

Det totala vibrationsvärdet (treaxlad vektorsumma) bestämt enligt EN62841-2-3:

**Arbetsläge: planslipning med normalt sidohandtag**

Modell	Vibrationsemission ( $a_{h, AG}$ ) : ( $m/s^2$ )	Måttolerans (K): ( $m/s^2$ )
GA048G	8,2	1,5
GA049G	8,5	1,5
GA050G	8,9	2,2
GA051G	12,1	1,5

**Arbetsläge: planslipning med anti-vibrationssidohandtag**

Modell	Vibrationsemission ( $a_{h, AG}$ ) : ( $m/s^2$ )	Måttolerans (K): ( $m/s^2$ )
GA048G	7,1	1,5
GA049G	7,7	1,5
GA050G	8,8	1,5
GA051G	12,7	1,6

**Arbetsläge: skivslipning med normalt sidohandtag**

Modell	Vibrationsemission ( $a_{h, DS}$ ) : ( $m/s^2$ )	Måttolerans (K): ( $m/s^2$ )
GA048G	2,5 $m/s^2$ eller lägre	1,5
GA049G	2,8	1,5
GA050G	2,6	1,5
GA051G	3,1	1,5

## Arbetsläge: skivslipning med anti-vibrationssidohandtag

Modell	Vibrationsemission ( $a_{hr, DS}$ ) : (m/s <sup>2</sup> )	Måttolerans (K): (m/s <sup>2</sup> )
GA048G	2,5 m/s <sup>2</sup> eller lägre	1,5
GA049G	2,8	1,5
GA050G	2,5	1,5
GA051G	3,5	1,5

**OBS:** Det deklarerade totala vibrationsvärdet har uppmätts i enlighet med standardtestmetoden och kan användas för jämförandet av en maskin med en annan.

**OBS:** Det deklarerade totala vibrationsvärdet kan också användas i en preliminär bedömning av exponering för vibration.

**⚠ VARNING:** Vibrationsemissionen under faktisk användning av maskinen kan skilja sig från det deklarerade värdet, beroende på hur maskinen används och särskilt vilken typ av arbetsstycke som behandlas.

**⚠ VARNING:** Var noga med att identifiera säkerhetsåtgärder för att skydda användaren, vilka är grundade på en uppskattning av graden av exponering för vibrationer under de faktiska användningsförhållandena, (ta, förutom avtryckartiden, med alla delar av användarcykeln i beräkningen, som till exempel tiden då maskinen är avstängd och när den går på tomgång).

**⚠ VARNING:** Det deklarerade vibrationsemissionsvärdet används för maskinens huvudsakliga arbetsuppgifter. Om maskinen används för andra arbetsuppgifter kan däremot vibrationsemissionsvärdet bli annorlunda.

## Försäkran om överensstämmelse

### Gäller endast inom EU

Försäkran om överensstämmelse ingår i bilaga A till denna bruksanvisning.

## SÄKERHETSVARNINGAR

### Allmänna säkerhetsvarningar för maskiner

**⚠ VARNING** Läs alla säkerhetsvarningar, instruktioner, illustrationer och specifikationer som medföljer detta elverktyg. Underlåtenhet att följa alla instruktioner nedan kan leda till elstöt, brand och/eller allvarliga personskador.

### Spara alla varningar och instruktioner för framtida referens.

Termen "maskin" som anges i varningarna hänvisar till din eldrivna maskin (sladdansluten) eller batteridrivna maskin (sladdlös).

### Säkerhetsvarningar för batteridrivna slipmaskin

Säkerhetsvarningar för slipnings-, stålborstnings- eller kapningsarbeten:

1. Det här elverktyget är utformat för att användas för slipning, stålborstning, hålskärning eller kapning. Läs igenom alla säkerhetsvarningar, instruktioner, illustrationer och specifikationer som medföljer detta elverktyg. Underlåtenhet att följa instruktionerna kan leda till elstöt, brand och/eller allvarliga personskador.

2. Det här elverktyget rekommenderas inte för poleringsarbeten. Om elverktyget används till andra arbeten än de avsedda kan det orsaka fara och leda till personskada.
3. **Konstruera inte om detta elverktyg för att fungera på ett sätt som inte är specifikt utformat och specificerat av verktygstillverkaren.** En sådan omkonstruktion kan resultera i att du förlorar kontrollen och leda till allvarliga personskador.
4. **Använd inte tillbehör som inte är specifikt utformade och specificerade av verktygstillverkaren.** Även om ett tillbehör kan fästas på elverktyget garanterar inte detta säker drift.
5. **Tillbehörets nominella varvtal måste vara minst lika med det maximala varvtalet som anges på elverktyget.** Tillbehör som används över det nominella varvtalet kan gå sönder och orsaka skador.
6. **Tillbehörets ytterdiameter och tjocklek måste vara anpassad till elverktygets kapacitetsklassning.** Tillbehör med felaktigt storlek kan inte skyddas eller styras tillräckligt väl.
7. **Måtten på tillbehörfästet måste stämma överens med måtten på monteringsbeslag på elverktyget.** Tillbehör som inte passar exakt på elverktygets monteringsbeslag roterar ojämnt, vibrerar kraftigt och kan leda till att du förlorar kontrollen.
8. **Använd inte ett skadat tillbehör. Kontrollera före varje användning tillbehör som slipskiva efter hack och sprickor, underlagsplattor efter sprickor, revor och slitage samt stålborstar efter lösa eller brutna trådar.** Om du tappar elverktyget eller ett tillbehör ska du kontrollera att det inte har uppstått några skador, eller så ska tillbehöret bytas ut mot ett som inte är skadat. Efter kontroll och montering av tillbehör ska du och kringstående personer hålla avstånd från det roterande tillbehörets riktning samtidigt som du kör elverktyget på maximal hastighet utan last i en minut. Skadade tillbehör går normalt sönder under den här testtiden.

9. **Använd personlig skyddsutrustning. Använd visir, korgglasögon eller skyddsglasögon beroende på arbetsuppgift. Använd vid behov dammskydd, hörselskydd, handskar och skyddsförkläde som stoppar små bitar slip-material eller fragment från arbetsstycket.** Ögonskyddet måste kunna stoppa arbetsstycket fragment som uppstår vid olika tillämpningar. Andningsskyddet måste kunna filtrera partiklar som uppstår från arbetsuppgiften. Långvarig exponering till kraftigt buller kan orsaka hörselskador.
10. **Håll personer i omgivningen på säkert avstånd från arbetsområdet. Alla som befinner sig i arbetsområdet måste använda skyddsutrustning.** Delar av arbetsstycket eller defekta tillbehör kan slungas ut och skada åskådare även utanför det omedelbara arbetsområdet.
11. **Håll endast elverktyget i de isolerade grepppyrtorna om det finns risk för att skärverktyget kan komma i kontakt med en dold elkabel.** Om skärverktyget kommer i kontakt med en strömförande ledning blir elverktygets metalldelar strömförande och kan ge användaren en elektrisk stöt.
12. **Lägg aldrig elverktyget åt sidan förrän det har stannat helt.** Det roterande tillbehöret kan gripa tag i underlaget så att du förlorar kontrollen över elverktyget.
13. **Kör inte elverktyget samtidigt som du bär det med dig.** Oavsiktlig kontakt med det roterande tillbehöret kan leda till att det fastnar i dina kläder och dras in mot kroppen.
14. **Rengör regelbundet elverktygets luftventiler.** Motorns fläkt suger in damm i höljet och överdriven ansamling av pulveriserad metall kan orsaka elektrisk fara.
15. **Använd inte elverktyget i närheten av lättantändliga material.** Gnistor kan antända sådana material.
16. **Använd inte tillbehör som kräver flytande kylmedel.** Att använda vatten eller andra flytande kylmedel kan orsaka dödsfall eller elektriska stötar.

#### Varningar för bakåtkast och liknande:

Bakåtkast är en plötslig reaktion på en fastnytt eller kärvande roterande skiva, underlagsplatta, borste eller annat tillbehör. Nyp och kärvning orsakar ett snabbt stopp av det roterande tillbehöret vilket i sin tur okontrollerat tvingar elverktyget i motsatt riktning mot tillbehörets rörelse vid kärvningspunkten. Om till exempel en slipskiva kärvar eller kläms fast av arbetsstycket kan skivans kapande kant gräva sig in i materialytan vid klämpunkten, vilket leder till att skivan klättrar eller kastas tillbaka. Skivan kan antingen hoppa mot eller från användaren, beroende på skivans rörelseriktning vid klämpunkten. Slipskivorna kan även gå sönder under dessa omständigheter. Bakåtkast beror på ovarsamhet med elverktyget och/eller felaktiga arbetsrutiner eller omständigheter och kan undvikas genom att vidta nedanstående försiktighetsåtgärder.

1. **Se till att hålla elverktyget i ett fast grepp med båda händerna och placera kroppen och din arm på ett sätt som gör att du kan stå emot kraften från bakåtkast. Använd alltid ett extrahandtag, om sådant finns, för maximal kontroll vid bakåtkast eller vridrörelsen vid start.** Användaren kan kontrollera vridrörelsen eller krafterna vid bakåtkast om rätt försiktighetsåtgärder vidtas.

2. **Placera aldrig din hand nära det roterande tillbehöret.** Tillbehöret kan kastas bakåt över din hand.
3. **Ställ dig inte där elverktyget kommer att förflytta sig i händelse av bakåtkast.** Bakåtkast driver verktyget i motsatt riktning till skivans rörelse vid kärvningspunkten.
4. **Var speciellt försiktig när du bearbetar hörn, vassa kanter etc. Undvik att studs och stöta tillbehöret.** Hörn, skarpa kanter eller studsning har en tendens att klämma det roterande tillbehöret och orsaka förlorad kontroll eller bakåtkast.
5. **Montera inte en sågkedja för träsnideri eller en segmenterad diamantskiva med en segmenthöjd på över 10 mm. Montera inte heller ett tandat sågblad.** Sådana blad orsakar ofta bakåtkast och förlorad kontroll.

#### Säkerhetsvarningar för slipnings- och kapningsarbeten:

1. **Använd endast de skivor som rekommenderas för ditt elverktyg och det särskilda sprängskyddet för den valda skivan.** Skivor som inte tillverkats för elverktyget kan inte skyddas tillräckligt och är inte säkra.
2. **Slipytan på skivor med försänkt centrumhål måste monteras under planet från sprängskyddets kant.** En felaktigt monterad skiva som sticker utanför planet från sprängskyddets kant är inte tillräckligt skyddad.
3. **Sprängskyddet måste vara ordentligt fäst vid elverktyget och placerat för maximal säkerhet, så att minsta möjliga yta av skivan är öppen mot användare.** Sprängskyddet skyddar användaren mot trasiga skivdelar, oavsiktlig kontakt med skivan och gnistor som kan antända kläder.
4. **Skivor får endast användas för angivna arbetsuppgifter. Till exempel: Slipa inte med sidan av en kapskiva.** Slipande kapskivor är avsedda för periferislipning. Sidokrafter kan spränga sådana skivor.
5. **Använd alltid oskadade skivflansar i rätt storlek och form till din skiva.** Rätt skivflansar stöder skivan och minskar därigenom risken för att skivan går sönder. Flansar till kapskivor kan skilja sig från flansar till slipskivor.
6. **Använd inte nedslitna skivor från större elverktyg.** Skivor avsedda för större elverktyg är inte lämpliga för mindre elverktygs högre varvtal och kan spricka.
7. **Använd alltid rätt skydd för arbetsuppgiften när skivor med dubbel funktion.** Underlåtenhet att använda rätt skydd kanske inte ger önskad skyddsnivå, vilket kan leda till allvarliga skador.

#### Ytterligare särskilda säkerhetsvarningar för kapningsarbeten:

1. **"Pressa" inte kapskivan eller utsätt den för överdrivet tryck. Försök inte att göra ett alltför stort kapdjup.** Om skivan överbelastas ökar belastningen och risken för att skivan vrids eller fastnar i kapet samt risken för bakåtkast eller att skivan går sönder.
2. **Placera inte din kropp längs med eller bakom den roterande skivan.** När skivan rör sig ifrån dig vid ingreppspunkten, kan ett bakåtkast skicka den roterande skivan och elverktyget mot dig.

3. **Om skivan kärvar eller om ett kap av någon anledning avbryts stänger du av elverktyget och håller det stilla tills skivan har stannat helt. Försök aldrig att ta ut kapskivan ur skåret när skivan är i rörelse, då detta kan orsaka bakåtkast.** Undersök och vidta korrigeringsåtgärder för att eliminera orsaken till att skivan fastnar.
4. **Starta inte om kapningen med tillbehöret kvar i arbetsstycket. Låt skivan öppna full hastighet och för den varsamt in i spåret igen.** Skivan kan fastna, vandra uppåt eller kastas bakåt om elverktyget startas om i arbetsstycket.
5. **Stötta långa eller stora arbetsstycken för att minimera risken för att skivan fastnar och kastas bakåt.** Stora arbetsstycken tenderar att svikta på grund av sin egen vikt. Stöd måste placeras under arbetsstycket nära såglinjen och nära arbetsstyckets kanter på båda sidorna om skivan.
6. **Var extra försiktig vid genomstickssågning i en befintlig vägg eller andra dolda utrymmen.** Den utskjutande skivan kan kapa gas- eller vattenledningar, elledningar eller föremål som kan orsaka bakåtkast.
7. **Försök inte att kapa i en kurva.** Om skivan överbelastas ökar belastningen och risken för att skivan vrids eller fastnar i kapet samt risken för bakåtkast eller att skivan går sönder, vilket kan leda till allvarliga personskador.
8. **Innan du använder en segmenterad diamantskiva ska du se till att diamantskivan har en segmenthöjd på högst 10 mm, endast med negativ spånvinkel.**

#### Särskilda säkerhetsvarningar för sliparbeten:

1. **Använd runda slippapper av rätt storlek. Följ tillverkarens rekommendationer när du väljer slippapper.** Större slippapper som sticker ut för långt utanför slipplattan ger risk för rivsår och kan orsaka kärvning, revor i skivan eller bakåtkast.

#### Särskilda säkerhetsvarningar för stålborstningsarbeten:

1. **Var uppmärksam på att trådbitar kastas ut från borsten även vid normal användning. Överbelasta inte trådarna genom att anlägga onödigt stor kraft mot borsten.** Trådarna kan enkelt gå igenom tunnare klädsel och/eller huden.
2. **Om användning av skydd specificeras för stålborstning får inte borstskivan eller borsten gå emot skyddet.** Borstskivan eller borstens diameter kan expandera på grund av belastningen eller centrifugalkraften.

#### Ytterligare säkerhetsvarningar:

1. **Vid användning av nedsänkta center-rondeller ska endast glasfiberförstärkta rondeller användas.**
2. **ANVÄND ALDRIG sten-skålskivor med denna slipmaskin.** Denna slipmaskin är inte konstruerad för denna typ av skivor och användningen av dessa kan resultera i allvarlig personskada.
3. **Var försiktig så att inte spindeln, flänsen (i synnerhet monteringsytan) eller låsmuttern skadas.** Skador på någon av dessa delar kan medföra att rondellen förstörs.
4. **Se till att rondellen inte är i kontakt med arbetsstycket när du trycker på avtryckaren.**

5. **Låt verktyget vara igång en stund innan det används på arbetsstycket. Kontrollera att skivan inte vibrerar eller skakar, vilket kan innebära att den är felaktigt monterad eller dåligt balanserad.**
6. **Slipa endast med den del av rondellen som är avsedd för slipning.**
7. **Lämna inte maskinen igång. Använd endast maskinen när du håller den i händerna.**
8. **Rör inte vid arbetsstycket omedelbart efter arbetet. Det kan vara extremt varmt och orsaka brännskador.**
9. **Rör inte vid tillbehör omedelbart efter arbetet. Det kan vara extremt varmt och orsaka brännskador.**
10. **Följ tillverkarens anvisningar för korrekt montering och användning av skivor och tillbehör.** Felaktig montering och användning kan orsaka personskada.
11. **Hantera och förvara skivorna varsamt.**
12. **Använd inte separata reducerhylsor eller adapterar för att kunna använda sliprondeller med större hål.**
13. **Använd endast flänsar som är avsedda för den här maskinen.**
14. **Kontrollera att gänglängden i rondellen är tillräckligt lång för spindelängden om rondellen är avsedd att gängas fast.**
15. **Kontrollera att arbetsstycket är ordentligt fastsatt.**
16. **Tänk på att rondellen fortsätter att rotera efter att maskinen stängts av.**
17. **Om arbetsplatsen är extremt varm och fuktig, eller har hög koncentration av elektriskt ledande damm, ska jordfelsbrytare (30 mA) användas för användarens säkerhet.**
18. **Använd inte maskinen för material som innehåller asbest.**
19. **Använd alltid det dammuppsamlade sprängkyddet när du arbetar med en kapskiva om så krävs enligt nationella regler.**
20. **Kapskivor får inte utsättas för sidokrafter.**
21. **Använd inte arbetshandskar i tyg när du arbetar med maskinen.** Fibrer från tyghandskar kan komma in i maskinen och orsaka fel.
22. **Innan användning måste du se till att det inte finns några begravnade föremål som elrör, vattenrör eller gasrör i arbetsstycket.** Annars kan det orsaka elstöt, elektriskt läckage eller gasläcka.
23. **Ta inte bort skivunderlägget om ett sådant sitter på skivan. Diametern på skivunderlägget måste vara större än låsmuttern, den yttre flänsen och den inre flänsen.**
24. **Innan slipskivan monteras, kontrollera alltid att inte några delar av skivunderlägget har avvikelser så som hack eller sprickor.**
25. **Dra åt låsmuttern ordentligt.** För hård åtdragning av skivan kan orsaka brott och otillräcklig åtdragning kan orsaka fladdrande.

## SPARA DESSA ANVISNINGAR.

**⚠ VARNING: GLÖM INTE** att också fortsättningsvis strikt följa säkerhetsanvisningarna för maskinen även efter att du blivit van att använda den. Vid **FELAKTIG HANTERING** av maskinen eller om inte säkerhetsanvisningarna i denna bruksanvisning följs kan följden bli allvarliga personskador.

## Viktiga säkerhetsanvisningar för batterikassetten

1. Innan batterikassetten används ska alla instruktioner och varningsmärken på (1) batteriladdaren, (2) batteriet och (3) produkten läsas.
2. Montera inte isär eller mixtra med batterikassetten. Det kan leda till brand, överdriven värme eller explosion.
3. Om drifttiden blivit avsevärt kortare ska användningen avbrytas omedelbart. Det kan uppstå överhettning, brännskador och t o m en explosion.
4. Om du får elektrolyt i ögonen ska de sköljas med rent vatten och läkare uppsökas omedelbart. Det finns risk för att synen förloras.
5. Kortslut inte batterikassetten.
  - (1) Rör inte vid polerna med något strömförande material.
  - (2) Undvik att förvara batterikassetten tillsammans med andra metallobjekt som t.ex. spikar, mynt o.s.v.
  - (3) Skydda batteriet mot vatten och regn. En batterikortslutning kan orsaka ett stort strömflöde, överhettning, brand och maskinhaveri.
6. Förvara och använd inte verktyget och batterikassetten på platser där temperaturen kan nå eller överstiga 50 °C.
7. Bränn inte upp batterikassetten även om den är svårt skadad eller helt utsliten. Batterikassetten kan explodera i öppen eld.
8. Spika inte i, krossa, kasta, tappa eller slå batterikassetten mot hårda föremål. Dylika handlingar kan leda till brand, överdriven värme eller explosion.
9. Använd inte ett skadat batteri.
10. De medföljande litiumjonbatterierna är föremål för kraven i gällande lagstiftning för farligt gods.

För kommersiella transporter (av t.ex. tredje parter som speditorsfirmor) måste de särskilda transportkrav som anges på emballaget och etiketter iakttas.

För att förbereda den produkt som ska avsändas krävs att du konsulterar en expert på riskmaterial. Var också uppmärksam på att det i ditt land kan finnas ytterligare föreskrifter att följa.

Tejpa över eller maskera blottade kontakter och packa batteriet på sådant sätt att det inte kan röra sig fritt i förpackningen.

11. När batterikassetten ska kasseras måste den tas bort från maskinen och kasseras på ett säkert sätt. Följ lokala föreskrifter beträffande avfallshantering av batteriet.
12. Använd endast batterierna med de produkter som specificerats av Makita. Att använda batterierna med ej godkända produkter kan leda till brand, överdriven värme, explosion eller utläckande elektrolyt.
13. Om maskinen inte används under en lång tid måste batteriet tas bort från maskinen.
14. Under och efter användning kan batterikassetten bli het vilket kan orsaka brännskador eller lättare brännskador. Var uppmärksam på hur du hanterar varma batterikassetter.
15. Vidrör inte verktygets kontakter direkt efter användning eftersom de kan bli heta och orsaka brännskador.
16. Låt inte flisor, damm eller smuts fastna i kontaktarna, i hål eller spår i batterikassetten. Det kan leda till att verktyget eller batterikassetten värms upp, fattar eld, går sönder eller inte fungerar som de ska, vilket kan orsaka brännskador eller personskador.
17. Såvida inte verktyget stöder arbeten i närheten av högspänningsledning får batterikassetten inte användas i närheten av en högspänningsledning. Det kan leda till att verktyget eller batterikassetten går sönder eller inte fungerar korrekt.
18. Förvara batteriet utom räckhåll för barn.

## SPARA DESSA ANVISNINGAR.

**⚠ FÖRSIKTIGT:** Använda endast äkta Makita-batterier. Användning av oäkta Makita-batterier eller batterier som har manipulerats kan leda till person- och utrustningsskador eller till att batteriet fattar eld. Det upphäver också Makitas garanti för verktyget och laddaren.

## Tips för att uppnå batteriets maximala livslängd

1. Ladda batterikassetten innan den är helt urladdad. Stanna alltid maskinen och ladda batterikassetten när du märker att maskinen blir svagare.
2. Ladda aldrig en fulladdad batterikasset. Överladdning förkortar batteriets livslängd.
3. Ladda batterikassetten vid en rumstemperatur på 10 °C - 40 °C. Låt en varm batterikasset svalna innan den laddas.
4. När batterikassetten inte används ska den tas bort från verktyget eller laddaren.
5. Ladda batterikassetten om du inte har använt den på länge (mer än sex månader).

# FUNKTIONSBESKRIVNING

**⚠ VARNING:** Se alltid till att maskinen är avstängd och batterikassetten borttagen innan du justerar maskinen eller kontrollerar dess funktioner.

## Montera eller demontera batterikassetten

**⚠ FÖRSIKTIGT:** Stäng alltid av maskinen innan du monterar eller tar bort batterikassetten.

**⚠ FÖRSIKTIGT:** Håll stadigt i maskinen och batterikassetten när du monterar eller tar bort batterikassetten. I annat fall kan det leda till att de glider ur dina händer och orsakar skada på maskinen och batterikassetten samt personskada.

► **Fig.1:** 1. Röd indikator 2. Knapp 3. Batterikassett

Ta bort batterikassetten genom att skjuta ner knappen på kassetterns framsida samtidigt som du drar ut batterikassetten.

Sätt in batterikassetten genom att rikta in tungan på batterikassetten mot spåret i höljet och skjut den på plats. Tryck in batterikassetten ordentligt tills den låser fast med ett klick. Om du kan se den röda indikatorn som bilden visar är den inte låst ordentligt.

**⚠ FÖRSIKTIGT:** Sätt alltid in batterikassetten helt tills den röda indikatorn inte längre syns. I annat fall kan den oväntat falla ur verktyget och skada dig eller någon annan.

**⚠ FÖRSIKTIGT:** Montera inte batterikassetten med våld. Om kassetten inte lätt glider på plats är den felinsatt.

## Indikerar kvarvarande batterikapacitet

Tryck på kontrollknappen på batterikassetten för att se kvarvarande batterikapacitet. Indikatorlamporna lyser i ett par sekunder.

► **Fig.2:** 1. Indikatorlampor 2. Kontrollknapp

Indikatorlampor			Kvarvarande kapacitet
Upplyst	Av	Blinkar	
			75% till 100%
			50% till 75%
			25% till 50%
			0% till 25%
			Ladda batteriet.
			Batteriet kan ha skadats.

**OBS:** Beroende på användningsförhållanden och den omgivande temperaturen kan indikationen skilja sig lätt från den faktiska batterikapaciteten.

**OBS:** Den första (längst till vänster) indikatorlampor kommer att blinka när batteriskyddssystemet fungerar.

## Skyddssystem för maskinen/batteriet

Verktyget är utrustat med ett skyddssystem för verktyget/batteriet. Detta system bryter automatiskt strömmen till motorn för att förlänga verktygets och batteriets livslängd. Verktyget stoppar automatiskt under användningen om verktyget eller batteriet hamnar i en av följande situationer:

### Överbelastningsskydd

Om verktyget/batteriet används på ett sätt som gör att det drar onormalt mycket ström kan det stoppas automatiskt utan varning. När detta sker stänger du av verktyget och upphör med arbetet som gjorde att verktyget överbelastades. Starta därefter upp verktyget igen.

### Överhettningsskydd

När verktyget/batteriet överhettas stoppas verktyget automatiskt. Låt verktyget svalna innan du startar den igen.

### Överurladdningsskydd

När batteriets kapacitet är otillräcklig stoppar maskinen automatiskt. I sådant fall ska batteriet tas ur maskinen och laddas.

### Frigöra skyddslåset

När skyddssystemet arbetar flera gånger låses verktyget.

I denna situation startar inte maskinen även om den slås av och sedan på igen. För att frigöra skyddslåset tar du ur batteriet, sätter det i batteriladdaren och väntar tills laddningen är klar.

### Skydd mot andra orsaker

Skyddssystemet är också utvecklat för att hantera andra orsaker som skulle kunna skada verktyget och tillåter verktyget att stanna automatiskt. Ta följande steg för att åtgärda felet när verktyget stannat temporärt eller helt.

1. Stäng av verktyget och starta sedan upp den igen för att starta om.
2. Laddning av batteriet/batterierna och ersätt det/dem med laddade batteri(er).
3. Låt verktyget och batteri(erna) svalna.

Om ingen förbättring kan hittas genom att återställa skyddssystemet, kontakta ditt lokala Makita Service Center.

## Spindellås

**⚠ VARNING:** Aktivera aldrig spindellåset medan spindeln rör sig. Det kan orsaka allvarliga personskador eller skador på verktyget.

Tryck ned spindellåset för att förhindra att spindeln roterar när du monterar eller tar bort tillbehör.

► Fig.3: 1. Spindellås

## Avtryckarens funktion

**⚠ FÖRSIKTIGT:** Kontrollera alltid att avtryckaren löser ut ordentligt och återgår till läget "OFF" när den släpps innan batterikassetten installeras i verktyget.

**⚠ FÖRSIKTIGT:** Detta verktyg är utrustat med en säkerhetsspärr som förhindrar oavsiktlig start. Använd ALDRIG verktyget om det startar när du trycker på avtryckaren utan att ha tryckt in säkerhetsspärren. Returnera verktyget till ett auktoriserat servicecenter för reparation INNAN du fortsätter att använda det.

**⚠ FÖRSIKTIGT:** Tryck aldrig in avtryckaren hårt utan att ha tryckt in säkerhetsspärren. I annat fall kan avtryckaren skadas.

**⚠ FÖRSIKTIGT:** Sätt ALDRIG säkerhetsspärren ur funktion genom att t.ex. tejpa över den.

För att förhindra att avtryckaren trycks in av misstag finns det en säkerhetsspärr.

Starta verktyget genom att dra säkerhetsspärren mot dig, och tryck sedan in avtryckaren.

För att stoppa maskinen släpper du avtryckaren.

► Fig.4: 1. Säkerhetsspärr 2. Avtryckare

## Funktion för att förhindra oavsiktlig omstart

Om batterikassetten sätts in när reglaget är i läget ON startar inte verktyget.

Starta verktyget genom att stänga av reglaget och sedan slå på det igen.

## Aktiv teknik för avkänning av återkoppling

Maskinen identifierar situationer på elektronisk väg där hjul eller tillbehör riskerar att fastna. I en sådan situation stängs maskinen automatiskt av för att förhindra att spindeln roterar ytterligare (emellertid förhindras inte bakåtkast).

För att starta om maskinen stänger du först av den, avlägsnar orsaken till den plötsliga minskningen av rotationshastigheten, och slår sedan på maskinen igen.

## Mjukstartfunktion

Mjukstartfunktionen dämpar startchocken.

## Elektronisk broms

Den elektroniska bromsen aktiveras när maskinen stängs av.

Bromsen fungerar inte när strömtillförseln stängs av (t.ex. om batteriet tas ur) med avtryckaren aktiverad.

## MONTERING

**⚠ VARNING:** Se alltid till att maskinen är avstängd och batterikassetten borttagen innan du justerar maskinen eller kontrollerar dess funktioner.

## Montera sidohandtaget

**⚠ FÖRSIKTIGT:** Kontrollera alltid att sidohandtaget sitter fast ordentligt innan arbetet påbörjas.

Skruva fast sidohandtaget ordentligt på rätt plats på maskinen enligt figuren.

► Fig.5

## Montera eller demontera sprängskyddet

**⚠ VARNING:** När en sliprondell med försänkt nav, lamellslipskiva, flexibel rondell eller skivstålborste används måste sprängskyddet monteras på maskinen så att den slutna sidan alltid är vänd mot användaren.

**⚠ VARNING:** Se till att sprängskyddet är ordentligt låst med låsspaken med ett av hålen i sprängskyddet.

**⚠ VARNING:** Vid användning av en kap-/diamantskiva ska du vara noga med att endast använda det speciella sprängskydd som är avsett för användning tillsammans med kapskivor.

## För rondell med försänkt navrondell, lamellskiva, flexibel rondell, skivstålborste/kapskiva, diamantskiva

1. När du trycker på låsspaken monterar du sprängskyddet så att de utskjutande delarna på sprängskyddets band passar in i uttagen på lagerhuset.

► Fig.6: 1. Låsspak 2. Skåra 3. Utspång

2. Tryck in låsspaken mot A och håll samtidigt ner delarna B på sprängskyddet enligt bilden.

► Fig.7: 1. Sprängskydd 2. Håll

**OBS:** Tryck sprängskyddet rakt nedåt. Annars kan du inte säkra sprängskyddet.

3. Medan du trycker låsspaken mot A vrider du sprängskyddet mot C, och därefter ändrar du vinkeln på sprängskyddet i enlighet med arbetsstycket så att operatören skyddas. Passa in låsspaken med ett av hålen i sprängskyddet, och lossa sedan låsspaken för att låsa sprängskyddet.

► Fig.8: 1. Sprängskydd 2. Håll

Gör på omvänt sätt för att ta bort sprängskyddet.

## Sprängskyddstillbehör för kapning med klämma

### Valfria tillbehör

**OBS:** För kapningsarbeten kan ett sprängskyddstillbehör för kapning med klämma användas med sprängskyddet (för slipskivor).

Ej tillgängligt i alla länder.

► Fig.9

## Montera eller ta bort sliprondell med försänt nav eller lamellslipskiva

### Valfria tillbehör

**⚠ VARNING:** När en sliprondell med försänt nav eller lamellslipskiva används, måste sprängskyddet monteras på maskinen så att den slutna sidan alltid är vänd mot användaren.

**⚠ VARNING:** Se till att den monterade delen av den inre flänsen passar perfekt in i den inre diametern av den försänkta navrondellen/lamellslipskivan. Montering av den inre flänsen på fel sida kan leda till farliga vibrationer.

Montera den inre flänsen på spindeln.

Se till att den buktade delen av den inre flänsen monterar på den raka delen längst ned på spindeln.

Passa in den försänkta navrondellen/lamellslipskivan på den inre flänsen och skruva på låsmuttern på spindeln.

► Fig.10: 1. Låsmutter 2. Försänt navrondell 3. Inre fläns 4. Monteringsdel

Tryck in spindellåset ordentligt för att dra fast låsmuttern så att spindeln inte kan rotera. Använd sedan tappnyckeln för att dra åt ytterligare.

► Fig.11: 1. Tappnyckel för låsmutter 2. Spindellås

Gör på omvänt sätt för att ta bort rondellen.

## Montera eller ta bort flexibel rondell

### Valfria tillbehör

**⚠ VARNING:** Använd alltid det medföljande skyddet när en flexibel rondell är monterad på maskinen. Skivan kan splittras under användningen och skyddet minskar risken för personskador.

► Fig.12: 1. Låsmutter 2. Flexibel rondell 3. Stödplatta 4. Inre fläns

Följ anvisningarna för nedsänt centrumhål, men använd även en stödplatta över skivan.

## Montera eller ta bort sliprondell

### Valfria tillbehör

**OBS:** Använd endast slipningstillbehör som specificeras i denna bruksanvisning. Dessa måste köpas separat.

## För modell med 100 mm (4")

► Fig.13: 1. Låsmutter för slipning 2. Sliprondell 3. Gummidyndyna 4. Inre fläns

1. Montera den inre flänsen på spindeln.
2. Fäst gummidyndan på spindeln.
3. Passa in rondellen över gummidyndan och skruva fast låsmuttern för slipning på spindeln.
4. Håll i spindeln med spindellåset och dra åt låsmuttern för slipning ordentligt med tappnyckeln.

Följ monteringsanvisningarna i omvänd ordning för att ta bort rondellen.

## För modeller andra än 100 mm (4")

► Fig.14: 1. Låsmutter för slipning 2. Sliprondell 3. Gummidyndyna

1. Fäst gummidyndan på spindeln.
2. Passa in rondellen över gummidyndan och skruva fast låsmuttern för slipning på spindeln.
3. Håll i spindeln med spindellåset och dra åt låsmuttern för slipning ordentligt med tappnyckeln.

Följ monteringsanvisningarna i omvänd ordning för att ta bort rondellen.

## Montering eller demontering av Ezynut

### Valfria tillbehör

#### Endast för maskiner med M14-spindelgänga.

Montera innerflänsen, slipskivan och Ezynut på spindeln så att Makitas logotyp på Ezynut är vänd utåt.

► Fig.15: 1. Ezynut 2. Sliprondell 3. Inre fläns 4. Spindel

Tryck in spindellåset och dra åt Ezynut genom att vrida slipskivan medurs så långt som den går att vrida.

► Fig.16: 1. Spindellås

Vrid ytterringens på Ezynut moturs för att lossa Ezynut.

**OBS:** Ezynut kan lossas för hand så länge som pilen är riktad mot skåran. Annars behövs det en tappnyckel för att lossa den. Sätt i en av tappnyckelns stift i ett av hålen och vrid Ezynut moturs.

► Fig.17: 1. Pil 2. Spår

► Fig.18

## Installation av kap-/diamantskiva

### Valfria tillbehör

**⚠️ VARNING:** Vid användning av en kap-/diamantskiva ska du vara noga med att endast använda det speciella sprängskydd som är avsett för användning tillsammans med kapskivor.

**⚠️ VARNING:** Använd ALDRIG kapskivor för sidoslipning.

**⚠️ FÖRSIKTIGT:** Vid montering av diamantskivan, se till att rikta riktningen pilen på skivan med pilen på verktyget.

- **Fig.19:** 1. Låsmutter 2. Kap-/diamantskiva 3. Inre fläns 4. Sprängskydd för kap-/diamantskiva

Följ anvisningarna för den försänkta navrondellen för montering. Riktningen för att montera låsmuttern och den inre flänsen varierar beroende på skivans typ och tjocklek. Se följande figurer.

### För modell med 100 mm (4")

#### När du monterar kapskivan:

- **Fig.20:** 1. Låsmutter 2. Slipande kapskiva (tunnare än 4 mm (5/32")) 3. Slipande kapskiva (4 mm (5/32") eller tjockare) 4. Inre fläns

#### När du monterar diamantskivan:

- **Fig.21:** 1. Låsmutter 2. Diamantskiva (tunnare än 4 mm (5/32")) 3. Diamantskiva (4 mm (5/32") eller tjockare) 4. Inre fläns

### För modeller andra än 100 mm (4")

#### När du monterar kapskivan:

- **Fig.22:** 1. Låsmutter 2. Slipande kapskiva (tunnare än 4 mm (5/32")) 3. Slipande kapskiva (4 mm (5/32") eller tjockare) 4. Inre fläns

#### När du monterar diamantskivan:

- **Fig.23:** 1. Låsmutter 2. Diamantskiva (tunnare än 4 mm (5/32")) 3. Diamantskiva (4 mm (5/32") eller tjockare) 4. Inre fläns

## Installation av skålformad stålborste

### Valfria tillbehör

**⚠️ FÖRSIKTIGT:** Använd inte en skålformad stålborste som är skadad eller obalanserad. Användning av en skadad skålformad stålborste kan öka risken för skador på grund av kontakt med trasiga borstrådar.

Placera verktyget upp och ned för att få enkel åtkomst till spindeln. Ta bort eventuella tillbehör på spindeln. Trä den skålformade stålborsten på spindeln och dra åt med medföljande nyckel.

- **Fig.24:** 1. Skålformad stålborste

## Installation av skivstålborste

### Valfria tillbehör

**⚠️ FÖRSIKTIGT:** Använd inte en skivstålborste som är skadad eller obalanserad. Användning av en skadad skivstålborste kan öka risken för skador på grund av kontakt med trasiga borstrådar.

**⚠️ FÖRSIKTIGT:** Använd ALLTID skydd tillsammans med skivstålborstar och kontrollera att skivdiametern passar innanför skyddet. Skivan kan splittras under användningen och skyddet minskar risken för personskador.

Placera verktyget upp och ned för att få enkel åtkomst till spindeln.

Ta bort eventuella tillbehör på spindeln. Montera skivstålborsten på spindeln och dra åt med nycklarna.

- **Fig.25:** 1. Skivstålborste

## Montera en hålskärare

### Valfria tillbehör

Placera verktyget upp och ned för att få enkel åtkomst till spindeln.

Ta bort eventuella tillbehör från spindeln. Gånga på hålskäraren på spindeln och dra åt den med den medföljande skiftnyckeln.

- **Fig.26:** 1. Hålskärare

## Montera ett dammuppsamlande sprängskydd för slipning

### Endast för modell GA049G / GA050G

### Valfria tillbehör

Med valfria tillbehör kan du använda detta verktyg för att hyvla betongytor.

**⚠️ FÖRSIKTIGT:** Det dammuppsamlande sprängskyddet för offset-diamantskivan används endast vid betonghyvling med diamantskiva. Använd inte detta sprängskydd med andra kapningstillbehör eller för andra användningsområden.

**⚠️ FÖRSIKTIGT:** Se till att dammsugaren är ansluten till verktyget och påslagen innan användning.

Placera verktyget upp och ned och montera det dammuppsamlande sprängskyddet.

Montera den inre flänsen på spindeln. Passa in diamantskivan av skåltyp på den inre flänsen och dra åt låsmuttern på spindeln.

- **Fig.27:** 1. Låsmutter 2. Diamantskiva av kopptyp 3. Diamantskiva av navkapseltyp 4. Inre fläns 5. Dammuppsamlande sprängskydd 6. Lagerhus

**OBS:** Information om hur man installerar det dammuppsamlande sprängskyddet finns i dess bruksanvisning.

## Montera ett dammuppsamlande sprängskydd för kapning

Endast för modell GA048G / GA049G / GA050G

### Valfria tillbehör

Med valfria tillbehör kan du använda detta verktyg för att kapa stenmaterial.

► Fig.28

**OBS:** Information om hur man installerar det dammuppsamlande sprängskyddet finns i dess bruksanvisning.

## ANVÄNDNING

**⚠ VARNING:** Tänk på att aldrig tvinga maskinen. Maskinens vikt ska utgöra ett tillräckligt tryck. Tvång eller överdrivet tryck kan resultera i farliga rondellbrott.

**⚠ VARNING:** Byt ALLTID ut rondellen om den har tappats under slipning.

**⚠ VARNING:** Slå ALDRIG med rondellen på arbetsstycket.

**⚠ VARNING:** Undvik att studsas eller hacka med rondeller, i synnerhet i närheten av hörn, skarpa kanter osv. Det är lätt att i dessa situationer förlora kontrollen över maskinen så att den kastas bakåt.

**⚠ VARNING:** Använd ALDRIG maskinen med sågklingor avsedda för trä eller andra sågblad. Att använda sådana klingor i slipmaskiner innebär stor risk för bakåtkast som kan förorsaka personsador.

**⚠ FÖRSIKTIGT:** Starta aldrig maskinen när denna är i kontakt med arbetsstycket. Det kan orsaka personsador.

**⚠ FÖRSIKTIGT:** Använd alltid skyddsglasögon eller visir under arbetet.

**⚠ FÖRSIKTIGT:** När du är klar med arbetet ska du vänta tills rondellen stannat helt innan du lägger maskinen åt sidan.

**⚠ FÖRSIKTIGT:** Håll ALLTID maskinen i ett fast grepp med ena handen på huset och den andra på sidohandtaget.

**OBS:** En skiva med dubbel funktion kan användas för både slipnings- och kapningsarbeten.

Läs "Slipningsarbeten" för slipningsarbeten och "Användning av kap-/diamantskiva" för kapningsarbeten.

## Slipning av trä och metall

► Fig.29

Starta maskinen och för rondellen eller skivan mot arbetsstycket.

I allmänhet är det lämpligt att hålla kanten på skivan/ rondellen i ungefär 15° vinkel mot arbetsstycket. Under inkörning av en ny skiva/rondell ska slipmaskinen inte föras i en framåtriktning eftersom den då kan köra fast i arbetsstycket. När kanten på skivan/rondellen har rundats av kan den användas i båda riktningarna (framåt och bakåt).

**Användningsexempel: användning med diamantskiva av skåltyp**

► Fig.30

Håll verktyget horisontellt och applicera hela diamantskivan av skåltyp mot arbetsstyckets yta.

## Användning av kap-/diamantskiva

Valfria tillbehör

**⚠ VARNING:** "Pressa" inte skivan eller utsätt den för överdrivet tryck. Försök inte att göra ett alltför stort kapdjup. Överbelastning av skivan ökar trycket och risken för att skivan vrids eller fastnar i skäret vilket kan orsaka bakåtkast, sprucken skiva och överhettad motor.

**⚠ VARNING:** Starta inte skärningen med maskinen i arbetsstycket. Låt skivan komma upp i full hastighet och för den försiktigt in i skäret genom att föra maskinen framåt över arbetsstyckets yta. Kapskivan kan fastna, vandra uppåt eller kastas bakåt om elverket startas om i arbetsstycket.

**⚠ VARNING:** Under skärningen får skivans vinkel aldrig ändras. Sidotryck på kapskivan (som vid slipning) medför att skivan spricker och sprängs, vilket kan leda till svåra personsador.

**⚠ VARNING:** En diamantskiva ska arbetas vinkelrätt mot det material som ska kapas.

**Användningsexempel: användning med slipande kapskiva**

► Fig.31

**Användningsexempel: användning med diamantskiva**

► Fig.32

## Användning av den skålformade stålborsten

### Valfria tillbehör

**⚠ FÖRSIKTIGT:** Kontrollera hur den skålformade stålborsten fungerar genom att köra verktyget utan belastning och försäkra dig om att ingen finns framför eller i linje med den skålformade stålborsten.

**OBSERVERA:** Undvik att använda för mycket tryck vilket gör att trådarna böjs för mycket vid användning av den skålformade stålborsten. Det kan leda till förtida slitage.

Användningsexempel: användning med skålformad stålborste

► Fig.33

## Användning av skivstålborsten

### Valfria tillbehör

**⚠ FÖRSIKTIGT:** Kontrollera hur skivstålborsten fungerar genom att köra maskinen utan belastning och försäkra dig om att ingen finns framför eller i linje med skivstålborsten.

**OBSERVERA:** Undvik att använda för mycket tryck vilket gör att trådarna böjs för mycket vid användning av skivstålborsten. Det kan leda till att borsten förbrukas i förtid.

Användningsexempel: användning med skivstålborste

► Fig.34

## Användning med hålskärare

### Valfria tillbehör

**⚠ FÖRSIKTIGT:** Kontrollera hur hålskäraren fungerar genom att köra verktyget utan belastning och försäkra dig om att ingen finns framför eller i linje med hålskäraren.

**OBSERVERA:** Luta inte verktyget under drift. Det kan leda till för tidigt brott.

Användningsexempel: användning med hålskärare

► Fig.35

## UNDERHÅLL

**⚠ VARNING:** Se alltid till att maskinen är avstängd och batterikassetten borttagen innan inspektion eller underhåll utförs.

**OBSERVERA:** Använd inte bensin, förtunningsmedel, alkohol eller liknande. Missfärgning, deformation eller sprickor kan uppstå.

För att upprätthålla produktens SÄKERHET och TILLFÖRLITLIGHET bör allt underhålls- och justeringsarbete utföras av ett auktoriserat Makita servicecenter och med reservdelar från Makita.

## Rengöring av ventilationsöppningar

Håll maskinen och luftventilerna rena. Rengör maskinens ventiler regelbundet eller så snart ventilationen försämrats.

► Fig.36: 1. Utblås 2. Inlopp

Ta bort dammskyddet från ventilationsinloppet och rengör det för jämn luftcirkulation.

► Fig.37: 1. Dammkåpa

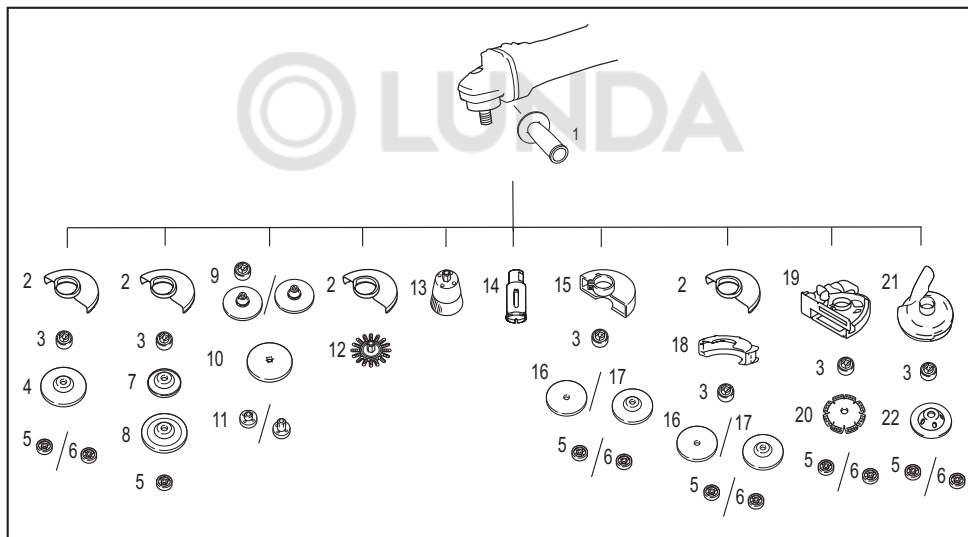
**OBSERVERA:** Rengör dammskyddet när det är igensatt med damm eller främmande material. Om du fortsätter att använda maskinen med ett igensatt dammskydd kan den skadas.

# KOMBINATION AV ANVÄNDNINGSMRÅDEN OCH TILLBEHÖR

## Valfria tillbehör

**⚠ FÖRSIKTIGT:** Användning av verktyget med felaktiga skydd kan orsaka risker enligt följande.

- Om ett sprängskydd för kapning används för ytslipning kan sprängskyddet vara i vägen för arbetsstycket och orsaka dålig kontroll.
- Om ett sprängskydd för slipning används för kapningsarbeten med förstärkta slipskivor och diamanter skivor ökas risken för exponering till den roterande skivan, avgivna gnistor och partiklar, samt exponering till skivfragment i händelse av brott på skivan.
- Om ett sprängskydd för kapning eller ett sprängskydd för ytslipning används med diamanter skivor av skåltyp kan sprängskyddet vara i vägen för arbetsstycket och orsaka dålig kontroll.
- Om ett sprängskydd för kapning eller ett sprängskydd för slipning används med en skivstålborste med en tjocklek större än den specificerade maximala tjockleken i "SPECIFIKATIONER" kan trådarna fastna på skyddet och göra att trådarna bryts.
- Om dammuppsamlare sprängskydd används för kapning och ytarbeten på betong och murverk minskar risken för exponering till damm.
- Om flänsmonterade skivor med dubbel funktion (kombinerad slip- och kapskiva) använda får endast ett sprängskydd för kapning användas.



-	Användningsområde	100 mm modell	115 mm modell	125 mm modell	150 mm modell
1	-	Sidohandtag			
2	-	Sprängskydd (för slipskiva)			
3	-	Inre fläns			
4	Slipning	Försänkt navrondell/lamellskiva			
5	-	Låsmutter			
6	-	-	Ezynut *1		
7	-	Stödplatta			
8	Slipning	Flexibel rondell			
9	-	Inre fläns och gummiplatta 76	Gummiplatta 100	Gummiplatta 115	Gummidyna 125
10	Slipning med papper	Sliprondell			
11	-	Låsmutter för slipning			

-	Användningsområde	100 mm modell	115 mm modell	125 mm modell	150 mm modell
12	Stålbörstning	Skivstålborste			
13	Stålbörstning	Skålformad stålbörste			
14	Hålskärning	Hålskärare			
15	-	Sprängskydd (för kapskiva)			
16	Kapning	Kap-/diamantskiva			
17	Slipning/kapning	Skiva med dubbel funktion			-
18	-	Sprängskyddstillbehör för kapning med klämma *2			
19	-	Dammuppsamlande sprängskydd för kapning *3			-
20	Kapning	Diamantskiva			-
21	-	-	Dammuppsamlande sprängskydd för slipning *4		-
22	Slipning	-	Diamantskiva av skåltyp *4		-
-	-	Tappnyckel för låsmutter			

**OBS:** \*1 Endast för verktyg med M14-spindelgånga.

**OBS:** \*2 Sprängskyddstillbehör för kapning med klämma är inte tillgängliga i vissa länder. Detaljerad information finns i bruksanvisningen till sprängskyddstillbehöret för kapning med klämma.

**OBS:** \*3 Endast för modell GA048G / GA049G / GA050G

Mer information finns i bruksanvisningen för varje skydd.

**OBS:** \*4 Endast för modell GA049G / GA050G

Mer information finns i bruksanvisningen för varje skydd.

## VALFRIA TILLBEHÖR

**⚠ FÖRSIKTIGT:** Följande tillbehör eller tillsatser rekommenderas för användning med den Makita-maskin som denna bruksanvisning avser. Om andra tillbehör eller tillsatser används kan det uppstå risk för personskador. Använd endast tillbehören eller tillsatserna för de syften de är avsedda för.

Kontakta ditt lokala Makita servicecenter om du behöver ytterligare information om dessa tillbehör.

- Makitas originalbatteri och -laddare
- Tillbehör i "KOMBINATION AV ANVÄNDNINGSSOMRÅDEN OCH TILLBEHÖR"

**OBS:** Några av tillbehören i listan kan vara inkluderade i maskinpaketet som standardtillbehör. De kan variera mellan olika länder.

## TEKNISKE DATA

Modell:		GA048G	GA049G	GA050G	GA051G
Kompatibel slipeskive	Maks. skivediameter	100 mm	115 mm	125 mm	150 mm
	Maks. hjultrykkelse	6,4 mm	7,2 mm		6,4 mm
Kompatibel kappeskive	Maks. skivediameter	105 mm	115 mm	125 mm	150 mm
	Maks. hjultrykkelse	3,2 mm			3,0 mm
Kompatibel rundbørste	Maks. skivediameter	100 mm	115 mm	125 mm	
	Maks. hjultrykkelse	20 mm			
Spindelgjenger		M10	M14 eller 5/8" (landspesifikk)		
Maks. spindelengde		18 mm	23 mm		
Hastighet uten belastning (n <sub>0</sub> ) / nominell hastighet (n)		11 000 min <sup>-1</sup>			9 000 min <sup>-1</sup>
Samlet lengde (med BL4040)		410 mm			
Nettovekt		2,8 – 5,2 kg	3,0 – 5,4 kg		3,1 – 4,7 kg
Merkespenning		DC 36 V - 40 V maks			

- På grunn av vårt kontinuerlige forsknings- og utviklingsprogram kan spesifikasjonene som oppgis i dette dokumentet endres uten varsel.
- Spesifikasjonene kan variere fra land til land.
- Vekten kan variere avhengig av tilbehøret/tilbehørene, inkludert batteriet. Den letteste og tyngste kombinasjonen, i henhold til EPTA-prosedyre 01/2014, vises i tabellen.

### Passende batteri og lader

Batteriinnsett	BL4020 / BL4025* / BL4040* / BL4050F* / BL4080F *: Anbefalt batteri
Lader	DC40RA / DC40RB / DC40RC

- Noen av batteriene og laderne som er opplistet ovenfor er kanskje ikke tilgjengelige, avhengig av hvor du bor.

**⚠ ADVARSEL: Bruk kun de batteriene og laderne som er opplistet ovenfor.** Bruk av andre batterier og ladere kan føre til personskader og/eller brann.





### Anbefalt ledning koblet til strømkilde

Bærbær lader	PDC01 / PDC1200
--------------	-----------------

- De(n) ledningstilkoblede strømkilde(n)e som er oppgitt ovenfor er kanskje ikke tilgjengelige, avhengig av hvor du bor.
- Før du bruker de ledningstilkoblede strømkildene, må du lese instruksjons- og forsiktighetsskilt på dem.

### Symboler

Nedenfor ser du symbolene som kan brukes for dette utstyret. Forviss deg om at du forstår hva de betyr, før du begynner å bruke maskinen.

	Les bruksanvisningen.
	Bruk vernebriller.
	Må alltid betjenes med to hender.
	Ikke bruk beskyttelseskappen ved kapparbeid.



Kun for EU-land

På grunn av forekomst av farlige komponenter i utstyret, kan avfall fra elektrisk og elektronisk utstyr, akkumulatører og batterier ha en negativ innvirkning på miljøet og menneskers helse.

Ikke kast elektriske og elektroniske apparater eller batterier sammen med husholdningsavfall!  
I samsvar med det europeiske direktivet om avfall fra elektrisk og elektronisk utstyr og om akkumulatører og batterier samt akkumulatører og batterier som skal kastes, samt deres tilpasing til nasjonal lovgivning, skal brukt elektrisk utstyr samt brukte batterier og akkumulatører samles inn separat og leveres til et eget innsamlingssted for kommunalt avfall, som driver virksomhet i samsvar med miljøvernforordningene. Dette er angitt i symbolet med den overkryssede avfallsbeholderen som er plassert på utstyret.

## Riktig bruk

Verktøyet er beregnet på sliping, pussing, stålbørsting og hullskjæring og kapping av metall og steinmaterialer uten bruk av vann.

## Støy

Typisk A-vektet lydtryknivå er bestemt i henhold til EN62841-2-3:

Modell	Lydtryknivå ( $L_{pA}$ ): (dB(A))	Lydeffektnivå ( $L_{WA}$ ): (dB(A))	Usikkerhet (K): (dB(A))
GA048G	84	92	3
GA049G	85	93	3
GA050G	85	93	3
GA051G	85	93	3

**MERK:** Den/de oppgitte verdien(e) for genererte vibrasjoner har blitt målt i henhold til standard testmetoder, og kan bli brukt til å sammenligne ett verktøy med et annet.

**MERK:** Den/de angitte verdien(e) for de genererte vibrasjonene kan også brukes til en foreløpig vurdering av eksponeringen.

**⚠ ADVARSEL:** Bruk hørselsvern.

**⚠ ADVARSEL:** De genererte vibrasjonene ved faktisk bruk av elektroverktøyet kan avvike fra den/de angitte vibrasjonsverdien(e), avhengig av hvordan verktøyet brukes.

**⚠ ADVARSEL:** Sørg for å identifisere vernetiltak for å beskytte operatøren, som er basert på et estimat av eksponeringen under de faktiske bruksforholdene (idet det tas hensyn til alle deler av driftssyklusen, dvs. hvor lenge verktøyet er slått av, hvor lenge det går på tomgang og hvor lenge startbryteren faktisk holdes trykket).

**⚠ ADVARSEL:** Sliping av tynne metallplater eller andre lett vibrerende strukturer med stor overflate kan føre til et samlet støynivå som er mye høyere (opptil 15 dB) enn de angitte støyverdiene.

Legg tunge, fleksible dempematter eller lignende på arbeidsstykkene for å hindre at de avgir støy.

Ta hensyn til det høyere støynivået både ved risikovurdering av støyeksponering og ved valg av egnet hørselsvern.

## Vibrasjoner

Den totale vibrasjonsverdien (triaksial vektorsum) bestemt i henhold EN62841-2-3:

**Arbeidsmåte: Overflatesliping med normalt støttehåndtak**

Modell	Generert vibrasjon ( $a_{hv, AG}$ ): (m/s <sup>2</sup> )	Usikkerhet (K): (m/s <sup>2</sup> )
GA048G	8,2	1,5
GA049G	8,5	1,5
GA050G	8,9	2,2
GA051G	12,1	1,5

**Arbeidsmåte: Overflatesliping med vibrasjonssikkert støttehåndtak**

Modell	Generert vibrasjon ( $a_{hv, AG}$ ): (m/s <sup>2</sup> )	Usikkerhet (K): (m/s <sup>2</sup> )
GA048G	7,1	1,5
GA049G	7,7	1,5
GA050G	8,8	1,5
GA051G	12,7	1,6

**Arbeidsmåte: Plansliping med normalt støttehåndtak**

Modell	Avgitt vibrasjon ( $a_{hv, DS}$ ): (m/s <sup>2</sup> )	Usikkerhet (K): (m/s <sup>2</sup> )
GA048G	2,5 m/s <sup>2</sup> eller mindre	1,5
GA049G	2,8	1,5
GA050G	2,6	1,5
GA051G	3,1	1,5

## Arbeidsmåte: Plansliping med vibrasjonssikkert støttehåndtak

Modell	Avgitt vibrasjon ( $a_{h, ds}$ ) : ( $m/s^2$ )	Usikkerhet (K): ( $m/s^2$ )
GA048G	2,5 $m/s^2$ eller mindre	1,5
GA049G	2,8	1,5
GA050G	2,5	1,5
GA051G	3,5	1,5

**MERK:** Den/de oppgitte verdien(e) for totalt genererte vibrasjoner har blitt målt i henhold til standard testmetoder, og kan bli brukt til å sammenligne ett verktøy med et annet.

**MERK:** Den/de angitte verdien(e) for totalt genererte vibrasjoner kan også brukes til en foreløpig vurdering av eksponeringen.

**⚠ ADVARSEL:** De genererte vibrasjonene ved faktisk bruk av elektroverktøyet kan avvike fra den/de angitte vibrasjonsverdien(e), avhengig av hvordan verktøyet brukes og spesielt i forhold til arbeidsstykket som blir behandlet.

**⚠ ADVARSEL:** Sørg for å identifisere vernetiltak for å beskytte operatøren, som er basert på et estimat av eksponeringen under de faktiske bruksforholdene (idet det tas hensyn til alle deler av driftsøykelen, dvs. hvor lenge verktøyet er slått av, hvor lenge det går på tomgang og hvor lenge startbryteren faktisk holdes trykket).

**⚠ ADVARSEL:** Den oppgitte verdien for genererte vibrasjoner brukes for hovedbruksområdene for elektroverktøyet. Hvis verktøyet brukes til andre formål, kan verdien for de genererte vibrasjonene være en annen.

### Samsvarserklæringer

#### Gjelder kun for land i Europa

Samsvarserklæringene er lagt til som vedlegg A i denne bruksanvisningen.

## SIKKERHETSADVARSEL

### Generelle advarsler angående sikkerhet for elektroverktøy

**⚠ ADVARSEL** Les alle sikkerhetsadvarsler, instruksjoner, illustrasjoner og spesifikasjoner som følger med dette elektroverktøyet. Hvis ikke alle instruksjonene nedenfor følges, kan det føre til elektrisk støt, brann og/eller alvorlig personskade.

### Oppbevar alle advarsler og instruksjoner for senere bruk.

Uttrykket «elektrisk verktøy» i advarslene refererer både til elektriske verktøy (med ledning) tilkoblet strømmen, og batteridrevne verktøy (uten ledning).

### Sikkerhetsadvarsler for batteridrevet slipemaskin

Vanlige sikkerhetsadvarsler for sliping, pussing, stålborsting og kapping:

1. Dette elektroverktøyet er beregnet for sliping, pussing, stålborsting, hullskjæring og kapping. Les alle sikkerhetsadvarsler, instruksjoner, illustrasjoner og spesifikasjoner som følger med dette elektroverktøyet. Hvis ikke alle instruksjonene nedenfor følges, kan det føre til elektrisk støt, brann og/eller alvorlig personskade.

2. Polering og lignende skal ikke utføres med dette verktøyet. Bruk av elektroverktøyet til noe annet enn det er beregnet på kan medføre fare og forårsake personskade.
3. Ikke konverter dette elektroverktøyet til å fungere på en måte det ikke er spesifikt konstruert og spesifisert for av verktøyproduzenten. Slik konvertering kan føre til tap av kontroll og forårsake alvorlig personskade.
4. Ikke bruk tilbehør som ikke er spesielt utviklet og spesifisert av verktøyproduzenten. Det at tilbehøret kan monteres på verktøyet, betyr ikke at det er trygt å bruke.
5. Nominell hastighet for tilbehøret må være minst like høy som største nominelle hastighet på elektroverktøyet. Tilbehør som kjøres med større hastighet enn det som er angitt, kan gå i stykker og slynges ut.
6. Den utvendige diameteren og tykkelsen på tilbehøret må ligge innenfor den angitte kapasiteten for elektroverktøyet. Tilbehør i feil størrelse kan ikke sikres eller kontrolleres tilstrekkelig.
7. Målene på tilbehørefestet må passe med målene på monteringsmekanismen på elektroverktøyet. Tilbehør som ikke passer til monteringsmekanismen på verktøyet, vil komme ut av balanse, vibrere sterkt og kan føre til at du mister kontrollen.
8. Ikke bruk skadet tilbehør. Før bruk må du undersøke om tilbehør som for eksempel slipeskiver har hakk eller sprekker, om bakrondeller har sprekker eller er slitt og om stålborster har løse eller ødelagte tråder. Hvis elektroverktøyet eller tilbehøret faller, må du undersøke om det har oppstått skade og eventuelt skifte det ut med uskadd tilbehør. Når et tilbehør er undersøkt og montert, skal du plassere deg selv og andre utenfor tilbehørets rotasjonsplan og kjøre elektroverktøyet på maksimal hastighet uten belastning i ett minutt. Skadd tilbehør vil vanligvis gå i stykker i løpet av en slik test.

9. **Bruk personlig verneutstyr. Avhengig av bruksområdet, må du bruke visir eller vernebriller. Bruk etter behov støvmaske, hørselsvern, hansker og arbeidsfôrke som kan stoppe små slipepartikler eller fragmenter fra arbeidsstykket.** Øyevernet må kunne stoppe flygende biter som oppstår under ulike typer bruk. Støvmasken eller åndedrettsvernet må kunne filtrere ut partikler som oppstår under den bestemte bruken. Kraftig støy over lengre tid kan forårsake redusert hørsel.
10. **Hold andre på trygg avstand fra arbeidsområdet. Alle som beveger seg inn i arbeidsområdet, må bruke personlig verneutstyr.** Fragmenter fra arbeidsstykket eller fra skadet tilbehør kan slynges ut og forårsake skade utenfor det umiddelbare arbeidsområdet.
11. **Hold elektroverktøyet kun i det isolerte håndtaket når skjæreverktøyet kan komme i kontakt med skjulte ledninger under arbeidet.** Kontakt med en strømførende ledning kan føre til at metalldelene på elektroverktøyet også blir strømførende, og kan gi brukeren elektrisk støt.
12. **Ikke legg ned elektroverktøyet før tilbehøret har stoppet helt.** Det roterende tilbehøret kan ta feste i overflaten og trekke elektroverktøyet ut av kontroll.
13. **Ikke kjør elektroverktøyet når du bærer det langs siden.** Utilsiktet kontakt med roterende tilbehør kan føre til at det hektes i klærne og trekkes inn mot kroppen.
14. **Rengjør verktøyet luftventiler regelmessig.** Motorens vifte trekker støv inn i verktøyhuset, og mye oppsamlet metallstøv kan medføre elektrisk fare.
15. **Ikke bruk elektroverktøyet nær brennbare materialer.** Gnister kan antenne slike materialer.
16. **Ikke bruk tilbehør som krever kjølevæske.** Bruk av vann eller andre kjølevæsker kan føre til elektrisk støt.

#### Tilbakeslag og relaterte advarsler:

Tilbakeslag er en plutselig reaksjon på en klemt eller hektet skive, bakrondell, børste eller annet tilbehør. Fastklemming eller hekking forårsaker plutselig stopp av det roterende tilbehøret, noe som i sin tur gjør at det ukontrollerbare elektroverktøyet kastes i motsatt retning av tilbehørets rotasjonsretning ved bindingspunktet. Hvis for eksempel en slipe-skive klemmes eller hektes fast i arbeidsstykket, kan kanten på skiven som er fastklemt, grave seg inn i overflaten på materialet og føre til at skiven graver seg ut eller slås ut. Skiven kan enten sprette mot eller vekk fra operatøren, avhengig av rotasjonsretningen på skiven når den klemmes fast. Slipe-skiver kan også knekke under slike forhold. Tilbakeslag er et resultat av at elektroverktøyet misbrukes og/eller brukes på feil måte eller under feil forhold, og kan unngås ved å ta de nødvendige forholdsreglene som beskrives under.

1. **Hold godt fast i verktøyet med begge hender og plasser kroppen og armene dine slik at du kan motstå kreftene i et tilbakeslag. Bruk alltid hjelpehåndtak når det følger med, for å få best mulig kontroll over tilbakeslag eller dreiemomentreaksjonen ved oppstart.** Operatøren kan kontrollere dreiemomentreaksjonen eller tilbakeslagskreftene hvis de riktige forholdsreglene tas.

2. **Plasser aldri hånden nær det roterende tilbehøret.** Tilbehøret kan slå tilbake over hånden.
3. **Ikke plasser kroppen i det området elektroverktøyet kan slå tilbake i.** Tilbakeslag gjør at verktøyet slås i motsatt retning av skivens bevegelse når den blir sittende fast.
4. **Vær spesielt forsiktig under arbeid med hjørner, skarpe kanter o.l. Unngå å la tilbehøret sprette eller hugge.** Hjørner, skarpe kanter eller spretting har en tendens til å huke fast det roterende tilbehøret og forårsake tap av kontroll eller tilbakeslag.
5. **Ikke monter et sagkjedeblad for treskjæring, segmentert diamantskive med periferisk avstand over 10 mm eller tannet sagblad.** Slike blader gir ofte tilbakeslag og mangel på kontroll.

#### Spesifikke sikkerhetsadvarsler for sliping og kapping:

1. **Bruk bare skivetyper som er spesifisert for elektroverktøyet og den spesifikke beskyttelsen som er beregnet på den valgte skiven.** Skiver som ikke er beregnet på elektroverktøyet, kan ikke sikres godt nok og er utrygge.
2. **Slipeoverflaten til skiver med forsenket nav må monteres under planet til vernet.** En feilmontert skive som stikker gjennom planet til vernet, kan ikke tilstrekkelig beskyttes.
3. **Vernet må være ordentlig festet til verktøyet og plasseres slik at det gir størst mulig sikkerhet og slik at minst mulig av skiven vender mot brukeren.** Vernet bidrar til å beskytte brukeren mot brukne skivefragmenter og utilsiktet kontakt med skiven og mot gnister som kan antenne klær.
4. **Skiver skal bare brukes til spesifiserte bruksområder. For eksempel: Ikke slip med siden av en kappeskive.** Kappeskiver for sliping er bare beregnet for periferisk sliping. Sidekrefter mot disse skivene kan knuse dem.
5. **Bruk alltid uskadde skiveflenser i riktig størrelse og form for skiven du har valgt.** Riktige skiveflenser støtter skiven og reduserer dermed muligheten for skivebrudd. Flenser for kappeskiver kan være forskjellige fra flenser for slipe-skiver.
6. **Ikke bruk slitte skiver fra større elektroverktøy.** En skive fra større elektroverktøy passer ikke til den høyere hastigheten til mindre verktøy, og kan sprekke.
7. **Når skiver for flere formål brukes, må du alltid bruke riktig vern for arbeidet som utføres.** Hvis det ikke brukes riktig vern, kan det hende at beskyttelsen ikke er tilstrekkelig god, noe som kan føre til alvorlig personskade.

#### Ekstra sikkerhetsadvarsler spesifikt for kapping:

1. **Ikke «klem fast» kappeskiven eller legg sterk press på den. Ikke forsøk å kutte svært dypt.** For mye press på skiven øker belastningen og sjansen for at skiven vrir eller setter seg fast under kutting, samt at det øker sjansen for tilbakeslag eller at skiven blir ødelagt.
2. **Ikke plasser deg på linje med og bak den roterende skiven.** Når skiven beveger seg bort fra deg ved bruksstedet, kan et mulig tilbakeslag drive den roterende skiven og verktøyet rett mot deg.

3. Når skiven fastklemmes eller du ønsker å avbryte kappingen, må du slå av elektroverktøyet og holde det i ro til skiven har stoppet helt. Du må aldri forsøke å trekke kappeskiven ut av kuttet mens skiven er i bevegelse. Det kan føre til tilbakeslag. Undersøk årsaken til at skiven setter seg fast, og rett opp feilen.
4. Ikke start kappingen på nytt mens skiven står i arbeidsstykket. La skiven nå full hastighet, og før den så forsiktig ned i kuttet på nytt. Skiven kan sette seg fast, bli trukket oppover eller gi tilbakeslag hvis det elektriske verktøyet startes på nytt i arbeidsstykket.
5. Støtt opp plater eller store arbeidsstykker for å minimere muligheten for fastklemming og tilbakeslag. Store arbeidsstykker har en tendens til å synke under sin egen vekt. Det må plasseres støtter under arbeidsstykket nært kuttlinjen og nært kanten på arbeidsstykket på begge sider av skiven.
6. Vær ekstra forsiktig når du lager «lommehull» i eksisterende vegger eller andre områder uten innsyn. Skiven som stikker ut, kan kutte gass- eller vannrør, elektriske ledninger eller gjenstander som kan forårsake tilbakeslag.
7. Ikke prøv å skjære i bue. For mye press på skiven øker belastningen og sjansen for at skiven vris eller setter seg fast under kutting, samt at det øker sjansen for tilbakeslag eller at skiven blir ødelagt, noe som kan føre til alvorlig personskade.
8. Før bruk av en segmentert diamantslipeskive, må du kontrollere at diamantslipeskiven har en perifer åpning på mindre enn 10 mm mellom segmentene, og kun med en negativ flisvinkel.
9. Forviss deg om at skiven ikke har kontakt med arbeidsstykket før startbryteren er slått på.
10. Før du begynner å bruke maskinen på et arbeidsstykke, bør du la den gå en liten stund. Se etter vibrasjoner eller vingling som kan tyde på at skiven er dårlig balansert.
11. Bruk den angitte overflaten av skiven til å utføre slipingen.
12. Ikke gå fra verktøyet mens det er i gang. Verktøyet må bare brukes mens operatøren holder det i hendene.
13. Ikke berør arbeidsstykket umiddelbart etter bruk. Det kan være ekstremt varmt og kan gi deg brannskader.
14. Ikke berør tilbehør umiddelbart etter bruk. De kan være ekstremt varme og kan gi deg brannskader.
15. Følg produsentens anvisninger for korrekt montering og bruk av skiver og tilbehør. Feilaktig montering og bruk kan føre til personskader.
16. Håndter og oppbevar skivene forsiktig.
17. Ikke bruk separate reduksjonsbøsninger eller adaptere for å tilpasse slipeskiver med store hull.
18. Bruk bare flenser som er spesifisert for dette verktøyet.
19. For maskiner som er beregnet på å bli utstyrt med gjengehullsskive, må du forvise deg om at gjengen i hullet er lang nok til å passe til spindellengden.
20. Forviss deg om at arbeidsstykket står støtt.
21. Ta hensyn til at skiven fortsetter å rotere etter at maskinen er slått av.
22. Hvis arbeidsplassen er ekstremt varm og fuktig, eller svært forurenset med elektrisk ledende støv, må du bruke en kortslutningsbryter (30 mA) for å ivareta operatørens sikkerhet.
23. Ikke bruk maskinen på materialer som inneholder asbest.
24. Når du bruker kappeskiven, må du alltid bruke beskyttelseskappen med støvoppsamler, etter hva lokale bestemmelser krever.
25. Kappeskiver må ikke utsettes for trykk fra siden.
26. Ikke bruk tekstilhansker når du bruker maskinen. Fibre fra tekstilhanskene kan komme inn i maskinen noe som kan føre til brudd i maskinen.
27. Før bruk må du kontrollere at det ikke finnes nedgravde gjenstander som elektriske rør, vannrør eller gassrør i arbeidsstykket. Ellers kan det føre til elektrisk støt, elektriske lekkasje eller gasslekkasje.
28. Hvis et trekkpapir er festet til skiven, må det ikke fjernes. Diameteren på trekkpapiret må være større enn låsemutteren, den ytre flensen og den indre flensen.
29. Før du monterer slipeskiven, må du alltid kontrollere at trekkpapiret ikke har noen abnormiteter, for eksempel fliser eller sprekker.
30. Stram låsemutteren godt. For mye stramming av skiven kan føre til at den brekker, og for lite stramming kan føre til at den blir ustabil.

#### Spesielle sikkerhetsadvarsler for pussing:

1. Bruk riktig pussepapir i riktig størrelse for skiven. Følg produsentens anbefalinger når du velger pussepapir. Større pussepapir som stikker for langt utenfor pusseputen, kan forårsake oppringing og føre til slitasje eller tilbakeslag på skiven.

#### Spesielle sikkerhetsadvarsler for stålborsting:

1. Vær oppmerksom på at metalltråder kan løse fra børsten også ved vanlig bruk. Ikke overbelast trådene ved å legge ekstra press på børsten. Metalltrådene kan lett trenge gjennom tynne klær og hud.
2. Hvis det anbefales bruk av vern ved stålborsting, må du unngå all kontakt mellom tråd-hjulet eller rundbørsten og vernet. Tråd-hjul og rundbørster kan utvide seg i diameter på grunn av arbeidsbelastningen og sentrifugalkreftene.

#### Ekstra sikkerhetsadvarsler:

1. Når du bruker slipeskiver med forsenket nav, må du passe på bare å bruke glassfiberarmerte skiver.
2. BRUK ALDRI denne vinkelsliperen med slipeskiver av typen Stone Cup. Denne vinkelsliperen er ikke konstruert for denne typen hjul, og bruk av et slikt produkt kan resultere i alvorlige helseskader.
3. Vær forsiktig så du ikke ødelegger spindelen, flensen (særlig monteringsflaten) eller låsemutteren. Skade på disse delene kan resultere i at skiven brekker.

## TA VARE PÅ DISSE INSTRUKSENE.

**⚠ ADVARSEL:** IKKE LA hensynet til hva som er "behagelig" eller det faktisk at du kjenner produktet godt (etter mange gangers bruk) gjøre deg mindre oppmerksom på sikkerhetsreglene for bruken av det aktuelle produktet. Ved MISBRUK eller hvis ikke sikkerhetsreglene i denne bruksanvisningen følges, kan det oppstå alvorlig personskade.

## Viktige sikkerhetsanvisninger for batteriinnsats

1. Før du begynner å bruke batteriet, må du lese alle anvisninger og forsiktighetsregler på (1) batteriladeren, (2) batteriet og (3) det produktet batteriet skal brukes i.
2. Ikke demonter eller tukle batteriet. Det kan føre til brann, overoppheting eller eksplosjon.
3. Hvis driftstiden er blitt vesentlig kortere, må du omgående slutte å bruke maskinen. Hvis ikke kan resultatet bli overoppheting, mulige forbrenninger eller til og med en eksplosjon.
4. Hvis du får elektrolytt i øynene, må du skylle dem med store mengder rennende vann og oppsøke lege med én gang. Denne typen uhell kan føre til varig blindhet.

### 5. Ikke kortslett batteriet:

- (1) De kan være ekstremt varme og du kan brenne deg.
- (2) Ikke lagre batteriet i samme beholder som andre metallgjenstander, som for eksempel spiker, mynter osv.
- (3) Ikke la batteriet komme i kontakt med vann eller regn.

En kortslutning av batteriet kan føre til et kraftig strømstøt, overoppvarming, mulige forbrenninger og til og med til at batteriet går i stykker.

6. Ikke oppbevar og bruk verktøyet og batteriet på steder hvor temperaturen kan komme opp i eller overskride 50 °C.
7. Ikke sett fyr på batteriet, ikke engang om det er sterkt skadet eller helt utslitt. Batteriet kan eksplodere hvis det begynner å brenne.
8. Du må ikke spikre, skjære, klemme, kaste eller miste batteriet, og heller ikke slå en hard gjenstand mot batteriet. En slik oppførsel kan føre til brann, overoppheting eller eksplosjon.
9. Ikke bruk batterier som er skadet.
10. Lithium-ion-batteriene som medfølger er gjenstand for krav om spesialavfall.

For kommersiell transport, f.eks av tredjeparter eller speditører, må spesielle krav om pakking og merking følges.

Før varen blir sendt, må du forhøre deg med en ekspert på farlig materiale. Ta også hensyn til muligheten for mer detaljerte nasjonale bestemmelser.

Bruk teip eller maskeringsteip for å skjule åpne kontakter og pakk inn batteriet på en slik måte at den ikke kan bevege seg rundt i emballasjen.

11. Når du kasserer batteriinnsatsen, må du ta den ut av verktøyet og avhende den på et sikkert sted. Følg lokale bestemmelser for avhending av batterier.
12. Bruk batteriene kun med produkter spesifisert av Makita. Montere batteriene i produkter som ikke er konforme kan føre til brann, overheting eller elektrolyttlekkasje.
13. Hvis verktøyet ikke skal brukes over en lengre periode, må batteriet tas ut av verktøyet.
14. Under og etter bruk kan batteriet bli varmt og før til brannskader. Vær forsiktig med håndtering av varme batterier.
15. Ikke berører terminalen på verktøyet rett etter bruk, da den kan bli varm og forårsake brannskader.
16. Ikke la spon, støv eller jord sette seg fast i terminalene, hullene og sporene i batteriet. Det kan føre til at batteriet eller verktøyet blir overopphetet, begynner å brenne, sprekker eller ikke fungerer som det skal, og forårsake brannskader eller personskade.
17. Med mindre verktøyet støtter bruk nær en høyspent strømlinje, skal ikke batteriet brukes nær en høyspent strømlinje. Det kan føre til en funksjonsfeil eller at verktøyet eller batteriet slutter å fungere.
18. Oppbevar batteriet utilgjengelig for barn.

## TA VARE PÅ DISSE INSTRUKSENE.

**⚠ FORSIKTIG:** Bruk kun originale Makita-batterier. Bruk av batterier som har endret seg, eller som ikke er originale Makita-batterier, kan føre til at batteriet sprekker og forårsaker brann, personskader og andre skader. Det vil også ugyldiggjøre garantien for Makita-verktøyet og -laderen.

## Tips for å opprettholde maksimal batterilevetid

1. Lad batteriinnsatsen før den er helt utladet. Stopp alltid driften av verktøyet og lad batteriinnsatsen når du merker at effekten reduseres.
2. Lad aldri en batteriinnsats som er fulladet. Overopplading forkorter batteriets levetid.
3. Lad batteriet i romtemperatur ved 10 °C - 40 °C. Et varmt batteri må kjøles ned før lading.
4. Når batteriet ikke er bruk, skal det tas ut av verktøyet eller laderen.
5. Lad batteriet hvis det ikke har vært brukt på en lang stund (over seks måneder).

# FUNKSJONSBEKRIVELSE

**⚠ ADVARSEL:** Forviss deg alltid om at maskinen er slått av og batteriet tatt ut før du justerer maskinen eller kontrollerer dens mekaniske funksjoner.

## Sette inn eller ta ut batteri

**⚠ FORSIKTIG:** Slå alltid av verktøyet før du setter inn eller fjerner batteriet.

**⚠ FORSIKTIG:** Hold verktøyet og batteripatronen i et fast grep når du monterer eller fjerner batteripatronen. Hvis du ikke holder verktøyet og batteripatronen godt fast, kan du miste grepet, og dette kan føre til skader på verktøyet og batteripatronen samt personskader.

► Fig.1: 1. Rød indikator 2. Knapp 3. Batteriinnsetts

For å ta ut batteriet må du skyve på knappen foran på batteriet og trekke det ut.

Når du skal sette inn batteriet, må du plassere tungen på batteriet på linje med sporet i huset og skyve batteriet på plass. Skyv det helt inn til det går i inngrep med et lite klikk. Hvis du kan se den røde indikatoren som vist i figuren, er det ikke helt låst.

**⚠ FORSIKTIG:** Batteriet må alltid settes helt inn, så langt at den røde indikatoren ikke lenger er synlig. Hvis dette ikke gjøres, kan batteriet falle ut av verktøyet og skade deg eller andre som oppholder seg i nærheten.

**⚠ FORSIKTIG:** Ikke bruk makt når du setter i batteriet. Hvis batteriet ikke glir lett inn, er det fordi det ikke settes inn på riktig måte.

## Indikere gjenværende batterikapasitet

Trykk på sjekk-knappen på batteriet for vise gjenværende batterikapasitet. Indikatorlampene lyser i et par sekunder.

► Fig.2: 1. Indikatorlamper 2. Kontrollknapp

Indikatorlamper			Gjenværende batterinivå
Tent	Av	Bliker	
			75 % til 100 %
			50 % til 75 %
			25 % til 50 %
			0 % til 25 %
			Lad batteriet.
			Batteriet kan ha en feil.

**MERK:** Det angitte nivået kan avvike noe fra den faktiske kapasiteten alt etter bruksforholdene og den omgivende temperaturen.

**MERK:** Den første (helt til venstre) indikatorlampen vil blinke når batterivernsystemet fungerer.

## Batterivernsystem for verktøy/batteri

Verktøyet er utstyrt med et batterivernsystem for verktøy/batteri. Dette systemet kutter automatisk strømmen til motoren for å forlenge verktøyet og batteriets levetid. Verktøyet stopper automatisk under drift hvis verktøyet eller batteriet utsettes for en av følgende tilstander:

### Overlastsikring

Når verktøyet/batteriet brukes på en måte som gjør at det bruker unormalt mye strøm, vil verktøyet stoppe automatisk og uten forvarsel. Hvis dette skjer, må du slå av verktøyet og avslutte bruken som forårsaket at verktøyet ble overbelastet. Slå deretter verktøyet på for å starte det igjen.

### Overopphetingsvern

Når verktøyet/batteriet er overopphetet, stopper verktøyet automatisk. La verktøyet kjøle seg ned før du slår på verktøyet igjen.

### Overutladingsvern

Når det blir batterikapasiteten er utilstrekkelig, stopper verktøyet automatisk. I så fall fjerner du batteriet fra verktøyet og lader det.

### Koble ut beskyttelseslåsen

Når vernesystemet virker gjentatte ganger låses verktøyet.

Hvis dette skjer, vil ikke verktøyet starte, selv om det slås av og på. Beskyttelseslåsen kan kobles ut ved å ta ut batteriet, sette det i batteriladeren og vente til det er ferdig ladet.

### Vern mot andre årsaker

Vernesystemet er også laget for beskyttelse mot andre ting som kan skade verktøyet og gjøre at det stanser automatisk. Ta alle de følgende forholdsreglene for å fjerne årsakene til at verktøyet har stanset midlertidig mens det er i drift.

1. Skru av verktøyet, og så skru du verktøyet på igjen for å starte på nytt.
2. Lad opp batteriet/ene eller skift det/dem ut med oppladde batteri(er).
3. La både verktøyet og batteriet/ene kjøle seg ned.

Hvis det ikke blir noen forbedring ved at vernesystemet gjenopprettes, ta kontakt med det lokale Makita servicesenteret.

## Spindellås

**⚠ ADVARSEL:** Du må aldri aktivere spindellåsen mens spindelen beveger seg. Det kan føre til alvorlig personskade eller skade på verktøyet.

Trykk på spindellåsen for å forhindre spindelrotasjon når du monterer eller fjerner tilbehør.

► Fig.3: 1. Spindellås

## Bryterfunksjon

**⚠ FORSIKTIG:** Før du setter batteriet i verktøyet, må du kontrollere at bryterspaken beveger seg riktig og går tilbake til posisjonen "AV" når den slippes.

**⚠ FORSIKTIG:** Av hensyn til din egen sikkerhet er dette verktøyet utstyrt med en AV-sperrehendel som forhindrer utilsiktet start av verktøyet. Du må ALDRI bruke verktøyet hvis det starter når du trekker i bryterspaken uten at du også må trekke i AV-sperrehendelen. Lever verktøyet til et autorisert serviceverksted for å få det reparert FØR videre bruk.

**⚠ FORSIKTIG:** Ikke trekk hardt i bryterspaken uten å trekke i av-sperreknappen. Dette kan få bryteren til å brekke.

**⚠ FORSIKTIG:** AV-sperrehendelen må ALDRI holdes inne med tape, og den må ALDRI settes ut av funksjon.

For å hindre at bryterspaken trykkes ved et ulykkestilfelle er maskinen utstyrt med en av-sperreknapp. For å starte verktøyet må du trekke av-sperrehendelen mot operatøren og deretter trykke på bryteren. Du stanser verktøyet ved å slippe bryterspaken.  
► Fig.4: 1. AV-sperrehendel 2. Bryterspak

## Funksjon som forhindrer utilsiktet start

Verktøyet starter ikke når batteriet settes inn i verktøyet med bryteren PÅ.

For å starte verktøyet slår du av bryteren og deretter på igjen.

## Aktiv tilbakeslagfølende teknologi

Verktøyet vil elektronisk oppdage situasjoner hvor skiven eller tilbehøret risikerer å sette seg fast. I dette tilfellet vil verktøyet automatisk slå seg av, for å unngå at spindelen fortsetter å rotere (det forhindrer ikke tilbakeslag).

For å starte verktøyet på nytt, må du først slå av verktøyet, fjerne årsaken til det plutselige rotasjonsfallet og deretter slå på verktøyet igjen.

## Mykstartfunksjon

Funksjonen for myk start reduserer reaksjonen ved start.

## Elektrisk brems

Den elektriske bremsen aktiveres når verktøyet slås av. Bremsen fungerer ikke dersom strømtilførselen kobles ut, ved for eksempel at batteriet tas ut ved en feil, med bryteren på.

## MONTERING

**⚠ ADVARSEL:** Forviss deg alltid om at maskinen er slått av og batteriet tatt ut før du justerer maskinen eller kontrollerer dens mekaniske funksjoner.

## Montere støttehåndtak (hjelpeshåndtak)

**⚠ FORSIKTIG:** Forviss deg alltid om at støttehåndtaket er skikkelig montert før du tar maskinen i bruk.

Skru støttehåndtaket godt fast på maskinen i den stillingen som er vist på figuren.

► Fig.5

## Montere eller fjerne beskyttelseskappen

**⚠ ADVARSEL:** Ved bruk av slipeskive med forsenket nav / klaffskive, flex-skive eller stål-børste, må skivebeskyttelsen settes på verktøyet slik at den lukkede siden av kappen vender mot operatøren.

**⚠ ADVARSEL:** Kontroller at beskyttelseskappen er låses sikkert av sperrespaken med ett av hullene i beskyttelseskappen.

**⚠ ADVARSEL:** Ved bruk av kappeskive/diamantskive må du forsikre deg om at du bare bruker den spesielle beskyttelseskappen som er beregnet for bruk med kappeskiver.

## For forsenket nav, klaffskive, flex-hjul, sirkulærbørste av stål/ kappeskive, diamantskive

1. Mens du skyver sperrespaken monterer du beskyttelseskappen slik at fremspringet på beskyttelseskappebåndet er innrettet med hakket i lagerboksen.

► Fig.6: 1. Sperrespak 2. Hakk 3. Fremspring

2. Mens du skyver låsespaken mot A, holder du delene B på beskyttelseskappen nede som vist i figuren.

► Fig.7: 1. Beskyttelseskappe 2. Hull

**MERK:** Skyv beskyttelseskappen rett ned. Ellers klarer du ikke å sikre beskyttelseskappen.

3. Mens du skyver låsespaken mot A, dreier du beskyttelseskappen mot C og deretter endrer du vinkelen på beskyttelseskappen i henhold til arbeidet slik at operatøren beskyttes. Innrett låsespaken med ett av hullene i beskyttelseskappen, og frigjør deretter låsespaken for å låse beskyttelseskappen.

► **Fig.8:** 1. Beskyttelseskappe 2. Hull

Fjern beskyttelseskappen ved å følge monteringsfremgangsmåten i motsatt rekkefølge.

## Beskyttelseskappe med klips for skjæreskive

### Valgfritt tilbehør

**MERK:** Ved kapping kan en beskyttelseskappe med klips for skjæreskiven brukes med beskyttelseskappen (for slipehjul).

Ikke tilgjengelig i enkelte land.

► **Fig.9**

## Montere eller fjerne skive med nedsenket nav eller klaffskive

### Valgfritt tilbehør

**⚠ ADVARSEL:** Ved bruk av slipeskive med forsenket nav / klaffskive, må skivebeskyttelsen settes på verktøyet slik at den lukkede siden av kappen vender mot operatøren.

**⚠ ADVARSEL:** Sørg for at monteringsdelen av den indre flensen passer perfekt inn i den indre omkretsen til den nedsenkede navet / klaffskiven. Hvis den indre flensen monteres på feil side, kan det resultere i farlig vibrasjon.

Monter den indre flensen på spindelen. Sørg for at du fester den nedsenkede delen av den indre flensen på den rettvinklede delen på bunnen av spindelen.

Sett den nedsenkede navet / klaffskiven på den indre flensen og skru låsemutteren på spindelen.

► **Fig.10:** 1. Låsemutter 2. Forsenket nav 3. Indre flens 4. Monteringsdel

Stram låsemutteren ved å trykke så kraftig på spindellåsen at spindelen ikke kan rotere, og bruk låsemutternøkkelen til å stramme mutteren godt med klokken.

► **Fig.11:** 1. Låsemutternøkkel 2. Spindellås

Fjern hjulet ved å følge installeringsfremgangsmåten i motsatt rekkefølge.

## Montere eller fjerne flex-skiven

### Valgfritt tilbehør

**⚠ ADVARSEL:** Når du bruker flex-skiven må du alltid bruke medfølgende beskyttelse. Skiven kan knuse ved bruk, og vernet bidrar til å redusere faren for helseskader.

► **Fig.12:** 1. Låsemutter 2. Flex-hjul 3. Reservepute 4. Indre flens

Følg instruksjonene for skiven med forsenket nav, men bruk også reserveputen over skiven.

## Montere eller fjerne slipeskiven

### Valgfritt tilbehør

**MERK:** Bruk slipetilbehør spesifisert i denne håndboken. Disse må kjøpes separat.

## For 100 mm modell (4")

► **Fig.13:** 1. Låsemutter for sliping 2. Slipeskive 3. Gummirondell 4. Indre flens

1. Monter den indre flensen på spindelen.
2. Monter gummihetten på spindelen.
3. Sett skiven på gummirondellen og skru låsemutteren for sliping på spindelen.
4. Hold spindelen med skaftlåsen og stram låsemutterne for sliping med klokken med låsemutternøkkelen.

Fjern skiven ved å følge installeringsfremgangsmåten i motsatt rekkefølge.

## For andre modeller enn 100 mm (4")

► **Fig.14:** 1. Låsemutter for sliping 2. Slipeskive 3. Gummirondell

1. Monter gummihetten på spindelen.
2. Sett skiven på gummirondellen og skru låsemutteren for sliping på spindelen.
3. Hold spindelen med skaftlåsen og stram låsemutterne for sliping med klokken med låsemutternøkkelen.

Fjern skiven ved å følge installeringsfremgangsmåten i motsatt rekkefølge.

## Montere eller demontere Ezynut

### Valgfritt tilbehør

#### Kun for verktøy med M14 spindelgjenger.

Monter den indre flensen, slipeskiven og Ezynut på spindelen, og påse at Makita-logoen på Ezynut er vendt utover.

► **Fig.15:** 1. Ezynut 2. Slipeskive 3. Indre flens 4. Spindel

Press spindellåsen godt på og stram Ezynut ved å dreie slipeskiven så langt som mulig med klokken.

► **Fig.16:** 1. Spindellås

For å løsne Ezynut dreier du den utvendige ringen på Ezynut mot klokken.

**MERK:** Du kan løsne Ezynut for hånd så lenge pilen peker mot innsnittet. Ellers må du bruke en låsemutternøkkel for å løsne den. Sett én stift på nøkkelen i et hull og drei Ezynut mot klokken.

► **Fig.17:** 1. Pii 2. Spor

► **Fig.18**

## Installere en kappeskive/diamantskive

### Valgfritt tilbehør

**⚠ ADVARSEL:** Ved bruk av kappeskive/diamantskive må du forsikre deg om at du bare bruker den spesielle beskyttelseskappen som er beregnet for bruk med kappeskiver.

**⚠ ADVARSEL:** IKKE bruk kappeskiver til sideveis sliping.

**⚠ FORSIKTIG:** Når du monterer diamantskiven, må du sørge for å innrette retningen på pilen på hjulet etter pilen på verktøyet.

- **Fig.19:** 1. Låsemutter 2. Slipende kappeskive/diamantskive 3. Indre flens 4. Skivevern for slipende kappeskive/diamantskive

Når det gjelder installasjonen, må du følge anvisningene for nedsenket nav.

Monteringsretningen for låsemutteren og den indre flensen varierer med skivetype og -tykkelse.

Se følgende figurer.

### For 100 mm modell (4")

Når du installerer det slipende kapphjulet:

- **Fig.20:** 1. Låsemutter 2. Kappeskive med slippeffekt (tynnere enn 4 mm (5/32")) 3. Kappeskive med slippeffekt (4 mm (5/32")) eller tykkere 4. Indre flens

Når du installerer diamanthjulet:

- **Fig.21:** 1. Låsemutter 2. Diamantskive (tynnere enn 4 mm (5/32")) 3. Diamantskive (4 mm (5/32")) eller tykkere 4. Indre flens

### For andre modeller enn 100 mm (4")

Når du installerer det slipende kapphjulet:

- **Fig.22:** 1. Låsemutter 2. Kappeskive med slippeffekt (tynnere enn 4 mm (5/32")) 3. Kappeskive med slippeffekt (4 mm (5/32")) eller tykkere 4. Indre flens

Når du installerer diamanthjulet:

- **Fig.23:** 1. Låsemutter 2. Diamantskive (tynnere enn 4 mm (5/32")) 3. Diamantskive (4 mm (5/32")) eller tykkere 4. Indre flens

## Installere en koppbørsten av stål

### Valgfritt tilbehør

**⚠ FORSIKTIG:** Ikke bruk en koppbørste av stål som er skadet, eller som ikke er balansert. Hvis du bruker en skadet koppbørste av stål, kan dette øke faren for personskaade ved kontakt med ødelagte børstetråder.

Sett verktøyet opp-ned for å få enkel tilgang til spindelen.

Demontér alt tilbehør fra spindelen. Monter koppbørsten av stål på spindelen og trekk til med den medfølgende nøkkelen.

- **Fig.24:** 1. Koppbørste av stål

## Installere en sirkulærbørste av stål

### Valgfritt tilbehør

**⚠ FORSIKTIG:** Ikke bruk en skivebørste som er skadet, eller som ikke er balansert. Hvis du bruker en skadet skivebørste, kan dette øke faren for personskaade ved kontakt med ødelagte børstetråder.

**⚠ FORSIKTIG:** Bruk ALLTID beskyttelseskappen med skivebørster, og pass på at skivens diameter passer inne i beskyttelseskappen. Skiven kan knuse ved bruk, og vernet bidrar til å redusere faren for helseskader.

Sett verktøyet opp-ned for å få enkel tilgang til spindelen.

Demontér alt tilbehør fra spindelen. Skru skivebørsten på spindelen og stram med nøklene.

- **Fig.25:** 1. Sirkulærbørste av stål

## Montere hullkutter

### Valgfritt tilbehør

Sett verktøyet opp-ned for å få enkel tilgang til spindelen.

Fjern alt tilbehør fra spindelen. Skru hullkutteren på spindelen og stram den med den medfølgende skiftenøkkelen.

- **Fig.26:** 1. Hullkutter

## Montere beskyttelseskappe med støvoppsamler for sliping

### Kun for modell GA049G / GA050G

### Valgfritt tilbehør

Med tilleggsutstyr kan du bruke dette verktøyet til å jevne betongflater.

**⚠ FORSIKTIG:** Beskyttelseskappen med støvoppsamler for diamantkappeskiven skal kun brukes til å jevne betongflater med en diamantkappeskive. Ikke bruk kappen sammen med annet skjæreutstyr eller til andre formål.

**⚠ FORSIKTIG:** Før bruk må du sørge for at en støvsuger er koblet til verktøyet og slått på.

Sett verktøyet opp-ned og monter beskyttelseskappen med støvoppsamler.

Monter den indre flensen på spindelen.

Sett diamantskiven av kopptype på den indre flensen, og stram låsemutteren på spindelen.

- **Fig.27:** 1. Låsemutter 2. Diamantskive av kopptype 3. Diamantskive av klemkopptype 4. Indre flens 5. Beskyttelseskappe med støvoppsamler 6. Lagerboks

**MERK:** Informasjon om hvordan beskyttelseskappen med støvoppsamler monteres, finnes i håndboken for beskyttelseskappen med støvoppsamler.

## Montere beskyttelseskappe med støvoppsamler for kapping

Kun for modell GA048G / GA049G / GA050G

### Valgfritt tilbehør

Med tilleggsutstyr kan du bruke dette verktøyet til å kappe steinmaterialer.

► Fig.28

**MERK:** Informasjon om hvordan beskyttelseskappen med støvoppsamler monteres, finnes i håndboken for beskyttelseskappen med støvoppsamler.

## BRUK

**⚠ ADVARSEL:** Det er aldri nødvendig å bruke makt på verktøyet. Vekten av maskinen utøver passende trykk. Makt og for stort press kan føre til farlige brudd i skiven.

**⚠ ADVARSEL:** Skiven må ALLTID skiftes hvis maskinen mister under sliping.

**⚠ ADVARSEL:** ALDRI dunk eller slå skiven mot arbeidsstykket.

**⚠ ADVARSEL:** Unngå at skiven hopper eller setter seg fast, særlig ved sliping av hjørner, skarpe kanter osv. Dette kan føre til at du mister kontrollen, og at maskinen slår tilbake mot deg.

**⚠ ADVARSEL:** Maskinen må ALDRI brukes med skjæreblader for tre eller andre sagblader. Hvis slike blader brukes på en slipemaskin, kan de ofte føre til slag fra maskinen, slik at operatøren mister kontrollen og blir skadet.

**⚠ FORSIKTIG:** Maskinen må aldri slås på mens den er i berøring med arbeidsstykket, da dette kan skade operatøren.

**⚠ FORSIKTIG:** Bruk alltid vernebriller eller ansiktsmaske ved arbeid med maskinen.

**⚠ FORSIKTIG:** Når du er ferdig å bruke maskinen må du alltid slå den av og vente til skiven har stoppet helt før du setter maskinen ned.

**⚠ FORSIKTIG:** Ha ALLTID én hånd på selve verktøyhuset og den andre hånden på støttehåndtaket (håndtaket).

**MERK:** En skive med dobbelt formål kan brukes til både sliping og kapping.

Se «Sliping og pussing» angående sliping, og se «Bruke kappeskive/diamantskive» angående kapping.

## Sliping og pussing

► Fig.29

Slå på maskinen og sett så skiven i berøring med arbeidsstykket.

Generelt skal kanten av skiven holdes i en vinkel på omtrent 15° mot overflaten av arbeidsstykket.

I innkjøringsperioden for en ny skive må slipemaskinen ikke brukes i foroverretning, da dette kan føre til at den skjærer inn i arbeidsstykket. Så snart kanten av skiven er rundet av etter å være brukt litt, kan den brukes i både forover- og bakoverretning.

**Eksempel på bruk: med diamantskive av kopptype**

► Fig.30

Hold verktøyet horisontalt og sett hele diamantskiven av kopptype på arbeidsstykkets overflate.

## Bruke kappeskive/diamantskive

Valgfritt tilbehør

**⚠ ADVARSEL:** Ikke «klem fast» skiven eller legg sterkt press på den. Ikke forsøk å kutte svært dypt. For mye press på skiven øker belastningen og muligheten for vridning eller fastklemming av skiven i kuttet, noe som kan føre til tilbakeslag, skivebrudd og overoppheting av motoren.

**⚠ ADVARSEL:** Ikke start kappingen mens skiven står i arbeidsstykket. La skiven få full hastighet og sett den forsiktig i kuttet samtidig som du beveger verktøyet fremover over overflaten på arbeidsstykket. Skiven kan sette seg fast, vandre opp eller slå tilbake hvis verktøyet startes med skiven i arbeidsstykket.

**⚠ ADVARSEL:** Ikke endre vinkel på skiven under bruk. Legger du sideveis press på kappeskiven (som ved pussing), kan det føre til at skiven sprekker og brytes i stykker, noe som kan føre til alvorlig personskade.

**⚠ ADVARSEL:** En diamantskive skal brukes vinkelrett på materialet som kuttes.

**Eksempel på bruk: med kappeskive med slipeeffekt**

► Fig.31

**Brukseksempel: bruk med diamantskive**

► Fig.32

## Bruke kobbørsten av stål

Valgfritt tilbehør

**⚠ FORSIKTIG:** Kontroller driften av kobbørsten av stål ved å kjøre verktøyet uten belastning, og forsikre deg om at ingen er foran eller ved siden av børsten.

**OBS:** Unngå å bruke for stort trykk, som kan føre at metalltrådene bøyes når du bruker kobbørsten av stål. Det kan føre til at de ødelegges for tidlig.

**Brukseksempel: bruk med kobbørsten av stål**

► Fig.33

## Bruke sirkulær stålbørste

### Valgfritt tilbehør

**⚠FORSIKTIG:** Kontroller driften av skivebørsten ved å kjøre verktøyet uten belastning, og forsikre deg om at ingen er foran eller ved siden av skivebørsten.

**OBS:** Unngå å bruke for stort trykk, som kan føre at metalltrådene bøyes når du bruker sirkulærbørsten av stål. Det kan føre til at de ødelegges for tidlig.

Brukseksempel: bruk med sirkulærbørste av stål  
► Fig.34

## Bruke hullkutter

### Valgfritt tilbehør

**⚠FORSIKTIG:** Kontroller driften av hullkutteren ved å kjøre verktøyet uten belastning, og forsikre deg om at ingen er foran hullkutteren.

**OBS:** Ikke vipp verktøyet under bruk. Det kan føre til at det ødelegges tidlig.

Eksempel på bruk: med hullkutter  
► Fig.35

## VEDLIKEHOLD

**⚠ADVARSEL:** Forviss deg alltid om at maskinen er slått av og batteriet tatt ut før du foretar inspeksjon eller vedlikehold.

**OBS:** Aldri bruk gasolin, bensin, tynner alkohol eller lignende. Det kan føre til misfarging, deformering eller sprekkdannelse.

For å opprettholde produktets SIKKERHET og PÅLITELIGHET, må reparasjoner, vedlikehold og justeringer utføres av autoriserte Makita servicesentre eller fabrikk-servicesentre, og det må alltid brukes reservedeler fra Makita.

## Rengjøring av luftventil

Maskinen og lufteåpningene må holdes rene. Rengjør maskinens lufteåpninger med jevne mellomrom og ellers når åpningene begynner å tettes.

► Fig.36: 1. Ventilasjonsutløp 2. Innsugsventil

Fjern støvdekslet fra innsugsventilen, og rengjør det for å sikre en jevn luftsirkulering.

► Fig.37: 1. Støvdeksel

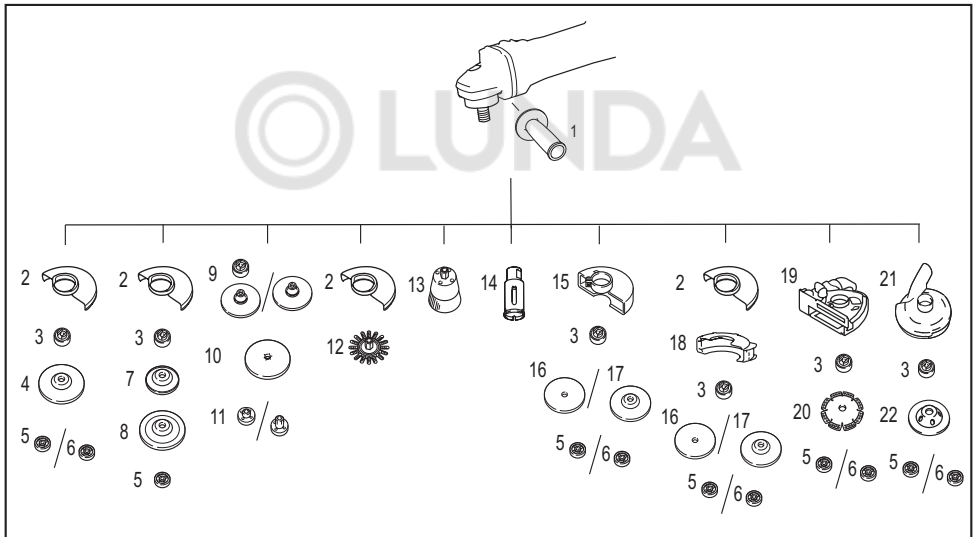
**OBS:** Rengjør støvdekslet når det er tilstoppet av støv eller fremmedlegemer. Fortsett drift med et tilstoppet støvdeksel kan skade verktøyet.

# KOMBINASJON AV BRUK OG TILBEHØR

## Valgfritt tilbehør

**⚠️FORSIKTIG:** Bruk av verktøyet med feil vern kan føre til følgende risikoer.

- Når en beskyttelseskappe for kappskive brukes til flatesliping, kan det hende at beskyttelseskappen kommer i veien for arbeidsstykket og fører til dårlig kontroll.
- Når du bruker en beskyttelseskappe for slipeskive til kapping med sammenføyde slipeskiver og diamantskiver, er det større risiko for eksponering for roterende skiver, gnister og partikler, samt eksponering for skivefragmenter i tilfelle skiven sprekker.
- Når en beskyttelseskappe for kappskive eller slipeskive brukes til flatesliping med diamantskiver av kopptypen, kan det hende at beskyttelseskappen kommer i veien for arbeidsstykket og fører til dårlig kontroll.
- Når en beskyttelseskappe for kappskive eller slipeskive brukes med en rund stålborste som er tykkere enn maksimaltykkelsen som er spesifisert under «SPESIFIKASJONER», kan ståltrådene hekte seg i beskyttelseskappen slik at ståltrådene brytter.
- Bruk av beskyttelseskapper med støvoppsamling for kapping og flatebehandling i betong eller murarbeid reduserer risikoen for støveksponering.
- Når det brukes flensmonterte skiver med dobbelt formål (kombinert sliping og kapping), skal du bare bruke en beskyttelseskappe for kappeskive.



-	Bruksområde	100 mm-modell	115 mm-modell	125 mm-modell	150 mm-modell
1	-	Støttehåndtak			
2	-	Beskyttelseskappe (for slipehjul)			
3	-	Indre flens			
4	Sliping/pussing	Nedsenket nav / klaffskive			
5	-	Låsemutter			
6	-	-	Ezynut *1		
7	-	Reservepute			
8	Sliping	Flex-hjul			
9	-	Indre flens og gummirondell 76	Gummihette 100	Gummihette 115	Gummirondell 125
10	Pussing	Slipeskive			
11	-	Låsemutter for sliping			
12	Stålbørsting	Sirkulærbørste av stål			

-	Bruksområde	100 mm-modell	115 mm-modell	125 mm-modell	150 mm-modell
13	Stålbørsting	Koppbørste av stål			
14	Hullskjæring	Hullkutter			
15	-	Beskyttelseskappe (for kappeskive)			
16	Kapping	Slipende kappeskive / diamantskive			
17	Sliping/kapping	Skive med dobbelt formål			-
18	-	Beskyttelseskappe med klips for skjæreskive *2			
19	-	Beskyttelseskappe med støvoppsamler for kapping *3			-
20	Kapping	Diamantskive			-
21	-	-	Beskyttelseskappe med støvoppsamler for sliping *4		-
22	Sliping	-	Diamantskive av kopptype *4		-
-	-	Låsemutternøkkel			

**MERK:** \*1 Kun for verktøy med M14 spindelgjenger.

**MERK:** \*2 Beskyttelseskappe med klips for skjæreskive er ikke tilgjengelig i enkelte land. Du finner mer informasjon i bruksanvisningen for beskyttelseskappen med klips for skjæreskive.

**MERK:** \*3 Kun for modell GA048G / GA049G / GA050G

Flere opplysninger finnes i hver av bruksanvisningene for beskyttelseskappen.

**MERK:** \*4 Kun for modell GA049G / GA050G

Flere opplysninger finnes i hver av bruksanvisningene for beskyttelseskappen.

## VALGFRITT TILBEHØR

**⚠️FORSIKTIG:** Det anbefales at du bruker dette tilbehøret eller verktøyet sammen med den Makita-maskinen som er spesifisert i denne håndboken. Bruk av annet tilbehør eller verktøy kan forårsake personskader. Tilbehør og verktøy må kun brukes til det formålet det er beregnet på.

Ta kontakt med ditt lokale Makita-servicesenter hvis du trenger mer informasjon om dette tilbehøret.

- Makita originalbatteri og lader
- Tilbehør oppført under «KOMBINASJON AV BRUK OG TILBEHØR»

**MERK:** Enkelte elementer i listen kan være inkludert som standardtilbehør i verktøypakken. Elementene kan variere fra land til land.

## TEKNISET TIEDOT

Malli:		GA048G	GA049G	GA050G	GA051G
Käyttökelpoinen hiomalaikka	Laikan suurin halkaisija	100 mm	115 mm	125 mm	150 mm
	Laikan suurin paksuus	6,4 mm	7,2 mm		6,4 mm
Käyttökelpoinen katkaisulaikka	Laikan suurin halkaisija	105 mm	115 mm	125 mm	150 mm
	Laikan suurin paksuus	3,2 mm			3,0 mm
Käyttökelpoinen teräsharjalaikka	Laikan suurin halkaisija	100 mm	115 mm	125 mm	
	Laikan suurin paksuus	20 mm			
Karan kierre	M10	M14 tai 5/8" (maakohtainen)			
Karan suurin pituus	18 mm	23 mm			
Nopeus ilman kuormaa (n <sub>0</sub> ) / nimellisoikeus (n)	11 000 min <sup>-1</sup>				9 000 min <sup>-1</sup>
Kokonaispituus (mukana BL4040)	410 mm				
Nettopaino	2,8–5,2 kg	3,0–5,4 kg		3,1–4,7 kg	
Nimellisjännite	DC 36 V – 40 V maks.				

- Jatkuvasta tutkimus- ja kehitystyöstämme johtuen esitetyt tekniset tiedot saattavat muuttua ilman erillistä ilmoitusta.
- Tekniset tiedot voivat vaihdella maittain.
- Paino voi olla erilainen lisävarusteista sekä akusta johtuen. EPTA-menettelytavan 01/2014 mukaisesti, taulukossa on kuvattu kevyin ja painavin laiteyhdistelmä.

### Käytettävä akkupaketti ja laturi

Akkupaketti	BL4020 / BL4025* / BL4040* / BL4050F* / BL4080F *: Suositeltu akku
Laturi	DC40RA / DC40RB / DC40RC

- Tiettyjä yläpuolella kuvattuja akkuja ja latureita ei ehkä ole saatavana asuinalueestasi johtuen.

**VAROITUS:** Käytä vain edellä eriteltyjä akkupaketteja ja latureita. Muiden akkupakettien ja laturien käyttäminen voi aiheuttaa loukkaantumisen ja/tai tulipalon.

### Suosittu johdollinen virtalähde

Kannettava tehoyksikkö	PDC01 / PDC1200
------------------------	-----------------

- Edellä luetellut johdolliset virtalähteet eivät ehkä ole saatavana asuinalueellasi.
- Lue johdollisen virtalähteen käyttöohjeet ja tutustu siinä oleviin varoitusmerkkintöihin ennen sen käyttämistä.

### Symbolit

Laitteessa on mahdollisesti käytetty seuraavia symboleja. Opettele niiden merkitys ennen käyttöä.



Lue käyttöohje.



Käytä suojalaseja.



Käytä aina kahdella kädellä.



Älä käytä laikan suojusta katkaisukäytössä.



Koskee vain EU-maita  
Käytetyillä sähkö- ja elektroniikkalaitteilla, paristoilla ja akuilla voi olla negatiivisia ympäristö- ja terveysvaikutuksia niissä käytettyjen haitallisten osien takia.  
Älä hävitä sähkö- ja elektroniikkalaitteita tai akkuja kotitalousjätteen mukana!  
Vanhoja sähkö- ja elektroniikkalaitteita, paristoja ja akkuja koskevan EU-direktiivin ja sen perusteella laadittujen kansallisten lakien mukaan käytetyt sähkö- ja elektroniikkalaitteet, paristot ja akut on kierrätettävä toimittamalla ne erilliseen, ympäristönsuojelusäädösten mukaisesti toimivaan kierrätyspisteeseen.  
Tämä on ilmaistu laitteessa olevalla yllädetyn roska-astian symbolilla.

## Käyttötarkoitus

Työkalu on tarkoitettu metallin ja kiven karkeaan ja hienoon hiomiseen, reiän leikkaamiseen ja leikkaamiseen ilman vettä.

## Melutaso

Typillinen A-painotettu melutaso määräytyy standardin EN62841-2-3 mukaan:

Malli	Äänenpainetaso ( $L_{pA}$ ): (dB(A))	Äänenhetotaso ( $L_{WA}$ ): (dB(A))	Virhemarginaali (K): (dB(A))
GA048G	84	92	3
GA049G	85	93	3
GA050G	85	93	3
GA051G	85	93	3

**HUOMAA:** Ilmoitetut melutasoarvot on mitattu standarditestausten menetelmän mukaisesti ja niiden avulla voidaan vertailla työkaluja keskenään.

**HUOMAA:** Ilmoitettuja melutasoarvoja voidaan käyttää myös altistumisen alustavaan arviointiin.

**VAROITUS:** Käytä kuulosuojaimia.

**VAROITUS:** Sähkötyökalun käytön aikana mitattu melutasoarvo voi poiketa ilmoitetuista arvoista laitteen käyttötavan ja erityisesti käsiteltävän työkappaleen mukaan.

**VAROITUS:** Selvitä käyttäjän suojaamiseksi tarvittavat varoimet todellisissa käyttöolosuhteissa tapahtuvan arvioidun altistumisen mukaisesti (ottaen huomioon käyttöjaksot kokonaisuudessaan, myös jaksot, joiden aikana laite on sammutettuna tai käy tyhjäkäynnillä).

**VAROITUS:** Ohuiden metallilevyjen tai muiden helposti tärisevien rakenteiden, joiden pinta-ala on suuri, hiominen voi aiheuttaa kokonaismelupäästön, joka on paljon suurempi (jopa 15 dB) kuin ilmoitetut melupäästöarvot.

Aseta painavia joustavia mattoja tai vastaavia tällaisiin työkappaleisiin niiden äänen vaimentamiseksi.

Ota lisääntynyt melupäästö huomioon sekä melualltistusriskin arvioinnissa että asianmukaisten kuulosuojaimien valinnassa.

## Tärinä

Kokonaistärinä (kolmen akselin vektorien summa) määräytyy standardin EN62841-2-3 mukaan:

**Käyttötila: pintahionta tavallista sivukahvaa käyttäen**

Malli	Tärinäpäästö ( $a_{h, AG}$ ): ( $m/s^2$ )	Virhemarginaali (K): ( $m/s^2$ )
GA048G	8,2	1,5
GA049G	8,5	1,5
GA050G	8,9	2,2
GA051G	12,1	1,5

**Käyttötila: pintahionta tärinävaimentavaa sivukahvaa käyttäen**

Malli	Tärinäpäästö ( $a_{h, AG}$ ): ( $m/s^2$ )	Virhemarginaali (K): ( $m/s^2$ )
GA048G	7,1	1,5
GA049G	7,7	1,5
GA050G	8,8	1,5
GA051G	12,7	1,6

**Käyttötila: laikkahionta tavallista sivukahvaa käyttäen**

Malli	Tärinäpäästö ( $a_{h, DS}$ ): ( $m/s^2$ )	Virhemarginaali (K): ( $m/s^2$ )
GA048G	2,5 $m/s^2$ tai alhaisempi	1,5
GA049G	2,8	1,5
GA050G	2,6	1,5
GA051G	3,1	1,5

## Käyttötöila: laikkahionta tärinänsaimentavaa sivukahvaa käyttäen

Malli	Tärinäpäästö ( $a_{w, DB}$ ) : (m/s <sup>2</sup> )	Virhemarginaali (K): (m/s <sup>2</sup> )
GA048G	2,5 m/s <sup>2</sup> tai alaisempi	1,5
GA049G	2,8	1,5
GA050G	2,5	1,5
GA051G	3,5	1,5

**HUOMAA:** Ilmoitetut kokonaistärinäarvot on mitattu standarditestausten menetelmän mukaisesti ja niiden avulla voidaan vertailla työkaluja keskenään.

**HUOMAA:** Ilmoitettuja kokonaistärinäarvoja voidaan käyttää myös altistumisen alustavaan arviointiin.

**VAROITUS:** Sähkötyökalun käytön aikana mitattu todellinen tärinäpäästöarvo voi poiketa ilmoitetuista arvoista laitteen käyttötavan ja erityisesti käsiteltävän työkalupaleen mukaan.

**VAROITUS:** Selvitä käyttäjän suojaamiseksi tarvittavat varoimet todellisissa käyttöolosuhteissa tapahtuvan arvioidun altistumisen mukaisesti (ottaen huomioon käyttöjako kokonaisuudessaan, myös jaksot, joiden aikana laite on sammutettuna tai käy tyhjäkäynnillä).

**VAROITUS:** Ilmoitettu tärinäpäästöarvo koskee tämän työkalun pääasiallisia käyttötarkoituksia. Tärinäpäästöarvo voi kuitenkin muuttua, jos työkalua käytetään muihin tarkoituksiin.

## Vaatimustenmukaisuusvaatimukset

### Koskee vain Euroopan maita

Vaatimustenmukaisuusvaatimukset on liitetty tähän käyttöoppaaseen liitteeksi A.

## TURVAVAROITUKSET

### Sähkötyökalujen käyttöä koskevat yleiset varoitukset

**VAROITUS** Tutustu kaikkiin tämän sähkötyökalun mukana toimitettuihin turvavaroituksiin, ohjeisiin, kuviin ja teknisiin tietoihin. Seuraavassa esitettyjen ohjeiden noudattamatta jättäminen voi aiheuttaa sähköiskun, tulipalon ja/tai vakavan vamman.

### Säilytä varoitukset ja ohjeet tulevaa käyttöä varten.

Varoituksissa käytettävällä termillä "sähkötyökalu" tarkoitetaan joko verkkovirtaa käyttävää (johdollista) työkalua tai akkukäyttöistä (johdottomia) työkalua.

### Akkukäyttöisen hiomakoneen turvaohjeet

Hiontaa, hiekkapaperihiontaa, harjausta ja katkaisua koskevat yleiset varoitukset:

1. Tätä sähkötyökalua voidaan käyttää hiomakoneena, hiekkapaperihiomakoneena, teräs-harjana reikäleikkurina ja katkaisutyökaluna. Tutustu kaikkiin tämän sähkötyökalun mukana toimitettuihin varoituksiin, ohjeisiin, kuviin ja teknisiin tietoihin. Seuraavassa lueteltujen ohjeiden noudattamatta jättäminen saattaa johtaa sähköiskuun, tulipaloon tai vakavaan henkilövahinkoon.

2. **Älä käytä työkalua kiillottamiseen tms.** Toiminnot, joihin tätä sähkötyökalua ei ole suunniteltu, voivat aiheuttaa vaaran ja johtaa henkilövahinkoon.
3. **Älä muunna tätä sähkötyökalua toimimaan tavalla, joka ei ole nimenomaan työkalun valmistajan suunnittelema tai määrittämä.** Tällainen muunnos voi aiheuttaa hallinnan menetyksen ja vakavia henkilövahinkoja.
4. **Älä käytä lisävarusteita, jotka eivät ole nimenomaan työkalun valmistajan suunnittelema tai määrittämä.** Vaikka lisävaruste voidaan kiinnittää sähkötyökaluun, sen käyttö ei silti välttämättä ole turvallista.
5. **Lisävarusteen nimellinopeuden täytyy olla vähintään yhtä suuri kuin sähkötyökaluun merkitty enimmäisnopeus.** Nimellinopeuttaan suuremmalla nopeudella toimivat lisävarusteet voivat rikkoutua ja singota irti.
6. **Lisävarusteen ulkohalkaisijan ja paksuuden on oltava sähkötyökalun kapasiteettiluokituksen mukainen.** Vääränkokoisia lisävarusteita ei voi suojata tai hallita riittävästi.
7. **Lisävarusteen kiinnitysmittojen täytyy vastata sähkötyökalun kiinnittimen mittoja.** Jos lisävaruste ei sovi sähkötyökalun kiinnittimiin, sähkötyökalu käy epätasapainossa ja voi tärähtää voimakkaasti, mikä voi johtaa hallinnan menetykseen.
8. **Älä käytä vaurioitunutta lisävarustetta.** Tarkista ennen jokaista käyttökertaa, ettei lisävarusteessa, kuten hiomalaikassa, ole lohkeamia tai halkeamia, ettei tukityynyissä ole halkeamia, murtumia tai merkkejä liiallisesta kulumisesta ja ettei lankaharjassa ole irtonaisia tai murtuneita lankoja. Jos sähkötyökalu tai lisävaruste putoaa, tarkista sen kunto tai vaihda lisävaruste ehjään. Asetu lisävarusteen tarkistuksen ja asennuksen jälkeen siten, ettei sinä tai kukaan sivullinen ole pyörivän lisävarusteen kanssa samassa tasossa, ja käytä sähkötyökalua siten suurimmalla sallitulla nopeudella ilman kuormaa yhden minuutin ajan. Vahingoittuneet lisävarusteet yleensä rikoontuvat tämän testin aikana.

9. **Käytä henkilönsuojaimia.** Käytä käyttö-tarkoituksen mukaisesti kasvosuojusta, suojalaseja tai sivusuojiilla varustettuja lasoja. Käytä tarvittaessa hengityssuojainta, kuulosuojaimia, hansikkaita ja työesiliinaa, joka suojaa pieniltä hioma- tai työkappaleen pirstaleilta. Suojalasien täytyy suojata kaikenlaisista töistä aiheutuvilta lentäviltä pirstaleilta. Hengityssuojaimen täytyy suodattaa tietyntyöskentelyn voimakkaat hiukkaset. Pitkäaikainen altistuminen voimakkaalle melulle voi vahingoittaa kuuloa.
10. **Pidä sivulliset turvallisen välimatkan päässä työalueelta.** Kaikkien työskentelyalueelle tulevien on käytettävä henkilönsuojaimia. Työkappaleen tai rikkoutuneen lisävarusteen pirstaleit voivat sinkoutua ja aiheuttaa onnettomuuden muuallakin kuin käyttökohteen välittömässä läheisyydessä.
11. **Kun suoritat toimintaa, jossa työkalu voi joutua kosketukseen piilossa olevien johtojen kanssa, pidä kiinni työkalusta sen eristetyn pinnan kohdalta.** Jos sähkötyökalun metalliosat joutuu kosketukseen jännitteisen virtajohdon kanssa, työkalun sähköä johtavat metalliosat voivat aiheuttaa käyttäjälle sähköiskun.
12. **Älä koskaan laske sähkötyökalua alas, ennen kuin lisävaruste on täysin pysähtynyt.** Pyörivä lisävaruste voi tarrata pintaan ja vetää sähkötyökalun käsistäsi.
13. **Älä käytä sähkötyökalua, kun kannat sitä sivulasi.** Pyörivä lisävaruste voi tarttua vaatteisiisi ja vetää lisävarusteen kehoosi.
14. **Puhdista sähkötyökalun ilma-aukot säännöllisesti.** Moottorin tuuletin imee pölyä koteloon, ja metallijauheen liiallinen kertyminen voi aiheuttaa sähköiskuvaaran.
15. **Älä käytä sähkötyökalua tulenarkojen materiaalien lähellä.** Kipinät voivat sytyttää tällaiset materiaalit.
16. **Älä käytä lisävarusteita, jotka vaativat jäähdytysnesteitä.** Veden tai muun jäähdytysnesteen käyttäminen voi aiheuttaa sähkötapaturman tai -iskun.

#### **Takapotku ja siihen liittyvät varoitukset:**

Takapotku on kiinni juuttuvan tai takertuvan pyörivän laikan, tukitynnyn, harjan tai muun lisävarusteen aiheuttama äkillinen sysäys. Kiinni juuttuminen tai takertuminen aiheuttaa sen, että pyörivä lisävaruste pysähtyy nopeasti, mikä puolestaan alkaa työntää työkalua hallitsemattomasti pyörimisliikkeelle vastakkaiseen suuntaan.

Jos esimerkiksi hiomalaikka juuttuu kiinni tai takertuu työkappaleeseen, juuttumiskohtaan pureutumassa oleva laikka voi tunkeutua kappaleen pintaan, jolloin se kipeää ylös tai potkaisee taaksepäin. Laikka voi ponnahtaa joko käyttäjää kohti tai käyttäjästä pois päin riippuen laikan pyörimissuunnasta juuttumishetkellä. Hiomalaikat voivat myös rikkoutua näissä tilanteissa. Takapotku johtuu sähkötyökalun virheellisestä käytöstä ja/tai käyttövastava tai olosuhteista. Takapotku voidaan välttää seuraavien varoitusten avulla.

1. **Pidä sähkötyökalusta tukevasti kiinni molemmin käsin ja asetu sellaiseen asentoon, että voit vastustaa takapotkun voimaa.** Käytä aina apukahvaa, jos sellainen on, jotta voit hallita käynnistyksen aikaista takapotku- tai vääntöreaktiota mahdollisimman tehokkaasti. Käyttäjää voi hallita vääntöreaktioita tai takapotkun voimaa noudattamalla asianmukaisia varotoimenpiteitä.
2. **Älä koskaan vie kättäsi pyörivän lisävarusteen lähelle.** Lisävarusteen takapotku saattaa osua käteesi.
3. **Älä asetu niin, että kehosi jää sähkötyökalun tielle takapotkun saatessa.** Takapotku sysää työkalua laikan pyörimissuuntaan nähden päinvastaiseen suuntaan kiinnijuuttumishetkellä.
4. **Ole erityisen varovainen, kun työstät kulumia, teräviä reunoja tms. Vältä lisävarusteen pomp-pimista ja tarttumista.** Kulumilla, terävillä reunoilla tai pomppimisella on taipumus johtaa pyörivän lisävarusteen tarttumiseen kiinni ja hallinnan menettämiseen tai takapotkuun.
5. **Älä käytä laitteessa teräketjullista puunleikkuuterää, halkaisijaltaan yli 10 mm:n kokoista segmentoitua timanttilaikkaa tai hammastettua sahanterää.** Tällaiset terät aiheuttavat usein takapotkuja ja hallinnan menettämisen.

#### **Hiontaa ja katkaisua koskevat erityiset varoitukset:**

1. **Käytä vain sähkötyökaluille tarkoitettuja laikkakäyttyyppejä ja nimenomaan valitulle laikalte tarkoitettua suojusta.** Muita kuin sähkötyökaluille tarkoitettuja laikkoja ei voida suojata kunnolla, eivätkä ne ole turvallisia.
2. **Upotetulla navalla varustettujen laikkojen hiomapinnan on oltava suojaareunan tason alapuolella.** Väärin asennettua laikkaa, joka työnty suojaareunan tason läpi, ei ole asianmukaisesti suojattu.
3. **Suojus on kiinnitettävä sähkötyökaluun tukevasti ja mahdollisimman suojaavaan asentoon niin, että mahdollisimman pieni osa laikasta on paljaana käyttäjää kohti.** Suoja suojaa käyttäjää rikkoutuneen laikan palasilta ja kipinöiltä, jotka voisivat sytyttää vaatteet palamaan, sekä estää vahingossa koskettamasta laikkaa.
4. **Laikkoja saa käyttää vain niiden määritettyihin käyttötarkoituksiin.** Esimerkki: älä käytä katkaisulaikan sivua hiomiseen. Katkaisulaikkaa käytettäessä hionta tapahtuu vain laikan kehällä. Sivuttaisvoimat voivat rikkoa laikan.
5. **Käytä aina ehjiä ja oikean kokoisia laikkalaippoja, joiden muoto vastaa valittua laikkaa.** Oikeantyyppiset laikkalaipat tukevat laikkaa ja pienentävät näin laikan rikkoutumisriskiä. Katkaisulaikkoihin tarkoitettujen laipat voivat olla erilaisia kuin hiomalaikkojen laipat.
6. **Älä käytä suurempien sähkötyökalujen kulumia laikkoja.** Suuriin sähkötyökaluihin tarkoitettujen laikat eivät sovi suuremmalla nopeudella toimiviin pienempiin työkaluihin ja voivat siksi joutua.
7. **Käytä kaksoiskäyttölaitteita käyttäessä aina oikeaa, työhön tarkoitettua suojusta.** Jos oikeaa suojusta ei käytetä, haluttua suojaustasoa ei välttämättä saavuteta, mikä saattaa johtaa vakaviin onnettomuuksiin.

### Katkaisua koskevat lisävaroitukset:

1. **Älä pakota katkaisulaikkaa kiinni tai käytä liikaa voimaa. Älä yritä tehdä liian syvää leikkauraa.** Laikan liiallinen painaminen lisää kuormitusta ja laikan vääntymis- tai juuttumisriskiä, jolloin seurauksena voi olla takapotku tai laikan rikkoutuminen.
2. **Älä asetu samaan linjaan pyörivän laikan taakse.** Kun laikka liikkuu käytettäessä käyttäjältä pois päin, mahdollinen takapotku voi sysätä pyörivän laikan ja sähkötyökalun suoraan käyttäjää kohti.
3. **Jos laikka takertelee tai työ joudutaan jostakin syystä keskeyttämään, katkaise sähkötyökalusta virta ja pidä sitä paikoillaan liikkumatta, kunnes laikka on täysin pysähtynyt. Älä koskaan yritä irrottaa katkaisulaikkaa leikkaurasta, kun laikka vielä pyörii, koska seurauksena voi olla takapotku.** Selvitä laikan takertelun syy ja poista se.
4. **Älä aloita leikkausta uudelleen laikka kiinni työkappaleessa.** Anna laikan saavuttaa täysi pyörimisnopeus ja työnnä laikka sitten varovasti leikkuu-uraan. Jos sähkötyökalu käynnistetään, kun se on kiinni työkappaleessa, laikka voi juuttua, ponnahtaa ylös tai aiheuttaa takapotkun.
5. **Vähennä laikan takertelu- ja takapotkuriskiä tukemalla paneelit ja ylisuuret työkappaleet.** Suurikokoiset työkappaleet pyrkivät taipumaan omasta painostaan. Työkappale on tuettava laikan kummaltakin puolelta leikkaukselinjan vierestä ja työkappaleen reunoilta.
6. **Ole erityisen varovainen, kun leikkaat ”tasakuja” valmiisiin seiniiin tai muihin umpinaisiin rakenteisiin.** Ulkoneva laikka voi katkaista kaasutai vesiputken tai sähköjohtoja tai osua takapotkun aiheuttaviin esteisiin.
7. **Älä yritä tehdä kaarevia leikkauksia.** Laikan liiallinen painaminen lisää kuormitusta ja laikan vääntymis- tai juuttumisriskiä, jolloin seurauksena voi olla takapotku tai laikan rikkoutuminen, mistä voi seurata vakava vamma.
8. **Ennen kuin käytät segmentoitua timanttilaikkaa, varmista, ettei segmenttien välinen rako laikan kehällä ole yli 10 mm ja että laikan teräkulma on negatiivinen.**

### Hiekkapaperihiontaa koskevat erityiset varoitukset:

1. **Käytä oikean kokoista hiomalaikkapaperia.** Noudata hiekkapaperin valinnassa valmistajan suosituksia. Hiomatynyn ulkopuolelle ulottuva liian suuri hiekkapaperi voi revetä ja aiheuttaa takertelua, laikkavaurioita tai takapotkun.

### Teräsharjausta koskevat erityiset varoitukset:

1. **Ota huomioon, että harjaksia irtoaa harjasta myös normaalikäytössä. Älä kuormita harjaksia turhaan painamalla liian voimakkaasti.** Harjaksot voivat helposti tunkeutua kevyen vaate-tuksen ja/tai ihon läpi.
2. **Jos harjauksessa tulee käyttää suojusta, älä anna harjauslaikan tai harjan koskettaa suojukseen.** Harjauslaikan tai harjan halkaisija voi kasvaa kuormituksen ja keskipakovoiman vaikutuksesta.

### Turvallisuutta koskevat lisävaroitukset:

1. **Jos käytät hiomalaikkaa, jossa on upotettu keskiö, varmista, että laikka on lasikuivastuväline.**
2. **ÄLÄ KOSKAAN käytä tässä hiomakoneessa kiven hiontaan tarkoitettuja kuppilaikkoja.** Hiomakonetta ei ole suunniteltu tämän tyyppisten laikkojen käyttöön. Vääräntyyppisten laikkojen käyttö voi aiheuttaa vakavan henkilövahingon.
3. **Varo, ettet vahingoita karaa, laippaa (erityisesti asennuspintaa) tai lukkomutteria.** Näiden osien voittuminen voi aiheuttaa laikan rikkoutumisen.
4. **Varmista, ettei laikka kosketa työkappaleeseen, ennen kuin virta on kytketty päälle kytkimestä.**
5. **Anna koneen käydä jonkin aikaa, ennen kuin alat työstää työkappaleita.** Varo, ettei se värähtele tai tärise, mikä voi on merkki siitä, että laikka on huonosti asennettu tai tasapainotettu.
6. **Käytä hiontaan siihen tarkoitettua laikan pintaa.**
7. **Älä jätä työkalua käymään itseksensä.** Käytä laitetta vain silloin, kun pidät sitä kädessä.
8. **Älä kosketa työkalua heti käytön jälkeen, sillä se saattaa olla erittäin kuuma ja polttaa ihoa.**
9. **Älä kosketa lisävarusteita heti käytön jälkeen, sillä ne saattavat olla erittäin kuumia ja polttaa ihoa.**
10. **Noudata valmistajan ohjeita laikkojen ja lisävarusteiden oikeasta asennuksesta ja käytöstä.** Virheellinen asennus ja käyttö voivat aiheuttaa henkilövahinkoja.
11. **Käsittele laikkoja varoen ja säilytä niitä huolella.**
12. **Älä käytä erillisiä supistusholkkeja tai sovittimia isoakkoisten hiomalaikkojen kiinnitykseen.**
13. **Käytä ainoastaan tälle työkalulle tarkoitettuja laippoja.**
14. **Kun käytät kierrereillä varustetuille laikoille tarkoitettua työkalua, varmista, että laikan kierteet vastaavat pituudeltaan karan pituutta.**
15. **Varmista, että työkalu on tukevasti paikoillaan.**
16. **Ota huomioon, että laikka jatkaa pyörimistään vielä sen jälkeen, kun virta on katkaistu.**
17. **Jos työtila on erittäin kuuma ja kostea tai siinä esiintyy runsaasti sähköä johtavaa pölyä, varmista turvallisuus käyttämällä vikavirtakatkaisinta (30 mA).**
18. **Älä hio tai leikkaa työkalulla mitään asbestia sisältäviä materiaaleja.**
19. **Käytä katkaisulaikkaa käytettäessä aina paikallisten määräysten edellyttämää pölyä keräävää laikansuojusta.**
20. **Katkaisulaikkaa ei saa painaa sivusuunnassa.**
21. **Älä pidä kankaisia työksineitä käytön aikana.** Kankaisista käsineistä irtoavat kuidut voivat päätyä työkalun sisään ja vaurioittaa työkalua.

22. Varmista ennen käyttöä, ettei työkalupaleessa ole mitään upotuksia, kuten sähköjohtoja, vesiputkia tai kaasuputkia. Muutoin ne voivat aiheuttaa sähköiskuja, sähkövuotoja tai kaasuvuotoja.
23. Jos laikkaan on kiinnitetty keskiö, älä irrota sitä. Keskiön halkaisijan tulee olla suurempi kuin lukkomutteri, ulkolaippa ja sisälaippa.
24. Tarkista ennen hiomalaikan asennusta, ettei laikan keskiössä ole vaurioita, esimerkiksi halkeamia tai lohkeamia.
25. Kiristä lukkomutteri kunnolla. Laikan kiristäminen liikaa voi aiheuttaa rikkoutumisen, ja kiristäminen liian vähän voi aiheuttaa huojumista.

## SÄILYTÄ NÄMÄ OHJEET.

**VAROITUS:** ÄLÄ anna työkalun helppokäyttöisyyden (toistuvan käytön aikaansaama) johtaa sinua väärään turvallisuuden tunteeseen niin, että laiminlyöt työkalun turvaohjeiden noudattamisen. VÄÄRINKÄYTTÖ tai tässä käyttöohjeessa ilmoitettujen turvamääräysten laiminlyönti voi aiheuttaa vakavia henkilövahinkoja.

### Akkupakettia koskevia tärkeitä turvaohjeita

1. Ennen akun käyttöönottoa tutustu kaikkiin laturissa (1), akussa (2) ja akkukäyttöisessä tuotteessa (3) oleviin varoitusteksteihin.
2. Älä pura tai peukaloi imuria akkupakettia. Se voi johtaa tulipaloon, ylikuumentumiseen tai räjähdykseen.
3. Jos akun toiminta-aika lyhenee merkittävästi, lopeta akun käyttö. Seurauksena voi olla ylikuumentuminen, palovammoja tai jopa räjähdys.
4. Jos akkunestettä pääsee silmiin, huuhtele puhtaalla vedellä ja hakeudu välittömästi lääkärin hoitoon. Akkuneste voi aiheuttaa näön menetyksen.
5. Älä oikosulje akkua.
  - (1) Älä koske akun napoihin millään sähköä johtavalla materiaalilla.
  - (2) Vältä akun oikosulkemista äläkä säilytä akkua yhdessä muiden metalliesineiden, kuten nauhojen, kolikoiden ja niin edelleen kanssa.
  - (3) Älä aseta akkua alttiiksi vedelle tai sateelle.

Oikosulku voi aiheuttaa virtapiikin, ylikuumentumista, palovammoja tai laitteen rikkoutumisen.
6. Älä säilytä ja käytä työkalua ja akkupakettia paikassa, jossa lämpötila voi nousta 50 °C:een (122 °F) tai korkeammaksi.
7. Älä hävitä akkua polttamalla, vaikka se olisi pahoin vaurioitunut tai täysin loppuun kulunut. Avotuli voi aiheuttaa akun räjähtämisen.
8. Älä naulaa, leikkaa, purista, heitä tai pudota akkupakettia tai iske sitä kovia esineitä vasten. Tällaiset toimet voivat johtaa tulipaloon, ylikuumentumiseen tai räjähdykseen.

9. Älä käytä viallista akkua.
10. Sisältyviä litium-ioni-akkuja koskevat vaarallisten aineiden lainsäädännön vaatimukset. Esimerkiksi kolmansien osapuolten huolintaliikkeiden tulee kaupallisissa kuljetuksissa noudattaa pakkaamista ja merkintöjä koskevia erityisvaatimuksia. Lähetettävän tuotteen valmistelu edellyttää vaarallisten aineiden asiantuntijan neuvontaa. Huomioi myös mahdollisesti yksityiskohtaisemmat kansalliset määräykset. Akun avoimet liittimet tulee suojata teipillä tai suojuksella ja pakkaaminen tulee tehdä niin, ettei akku voi liikkua pakkauksessa.
11. Kun akkupaketti on hävitettävä, poista se laitteesta ja hävitä se turvallisesti. Hävitä akku paikallisten määräysten mukaisesti.
12. Käytä akkuja vain Makitan ilmoittamien tuotteiden kanssa. Akkujen asentaminen yhteensopimattomiin tuotteisiin voi aiheuttaa tulipalon, liiallisen ylikuumentumisen, räjähdyksen tai akkunestevuotoja.
13. Jos laitetta ei käytetä pitkään aikaan, akku on poistettava laitteesta.
14. Akkupaketin lämpötila voi käytön aikana ja sen jälkeen nousta niin kuumaksi, että se voi aiheuttaa palovammoja tai lieviä palovammoja. Käsittele kuumia akkupaketteja huolellisesti.
15. Älä kosketa työkalun liitintä välittömästi käytön jälkeen, sillä se voi olla riittävän kuuma aiheuttamaan palovammoja.
16. Älä päästä lastuja, pölyä tai maata akkupaketin liittämiin, aukkoihin ja uriin. Se voi johtaa työkalun tai akkupaketin lämpenemiseen, syttymiseen, purkautumiseen tai toimintahäiriöön, mikä voi aiheuttaa palovammoja tai vammoja.
17. Ellei työkalu tue käyttöä korkeajännitelinjojen lähellä, älä käytä akkupakettia korkeajännitelinjojen lähellä. Se voi johtaa työkalun tai akkupaketin toimintahäiriöön tai rikkoutumiseen.
18. Pidä akku poissa lasten ulottuvilta.

## SÄILYTÄ NÄMÄ OHJEET.

**HUOMIO:** Käytä vain alkuperäisiä Makita-akkuja. Muiden kuin aitojen Makita-akkujen, tai mahdollisesti muutettujen akkujen käyttö voi johtaa akun murtumiseen ja aiheuttaa tulipaloja, henkilö- ja omaisuusvahinkoja. Se mitätöi myös Makita-työkalun ja -laturin Makita-takuun.

### Vihjeitä akun käyttöön pidentämiseksi

1. Lataa akku ennen kuin se purkautuu täysin. Lopeta aina työkalun käyttö ja lataa akku, jos huomaat työkalun tehon vähenevän.
2. Älä koskaan lataa uudestaan täysin ladattua akkua. Ylilataaminen lyhentää akun käyttöaikaa.
3. Lataa akku huoneen lämpötilassa välillä 10 °C - 40 °C. Anna kuuman akun jäähtyä ennen lataamista.
4. Irrota akkupaketti työkalusta tai laturista, kun sitä ei käytetä.
5. Lataa akkupaketti, jos et käytä sitä pitkään aikaan (yli kuusi kuukautta).

# TOIMINTOJEN KUVAUS

**VAROITUS:** Varmista aina ennen säätöjä ja tarkastuksia, että työkalu on sammutettu ja akkupaketti irrotettu.

## Akun asentaminen tai irrottaminen

**HUOMIO:** Sammuta työkalu aina ennen akun kiinnittämistä tai irrottamista.

**HUOMIO:** Pidä työkalusta ja akusta tiukasti kiinni, kun irrotat tai kiinnität akkua. Jos akkupaketti tai työkalu putoaa, ne voivat vaurioitua tai aiheuttaa tapaturman.

- **Kuva1:** 1. Punainen ilmaisin 2. Painike  
3. Akkupaketti

Irrota akku painamalla akun etupuolella olevaa painiketta ja vetämällä akku ulos työkalusta.

Akkupaketti asetetaan paikalleen sovittamalla akkupaketin kieleke rungon uraan ja työntämällä se sitten paikalleen. Työnnä se pohjaan asti niin, että kuulet sen napsahdavan paikoilleen. Jos näet kuvan mukaisen punaisen ilmaisimen, lukitus ei ole täysin pitävä.














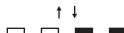


**HUOMIO:** Työnnä akkupaketti aina pohjaan asti, niin että punainen ilmaisin ei enää näy. Jos akkupaketti ei ole kunnolla paikallaan, se voi pudota työkalusta ja aiheuttaa vammoja joko sinulle tai sivullisille.

**HUOMIO:** Älä käytä voimaa akun asennuksessa. Jos akku ei liu'u paikalleen helposti, se on väärässä asennossa.

## Akun jäljellä olevan varaustason ilmaisin

Painamalla tarkistuspainiketta saat näkyviin akun jäljellä olevan varausten. Merkkivalot palavat muutaman sekunnin ajan.

- **Kuva2:** 1. Merkkivalot 2. Tarkistuspainike

Merkkivalot			Akussa jäljellä olevan varaus
 Palaava	 Pois päältä	 Viilkku	
			75% - 100%
			50% - 75%
			25% - 50%
			0% - 25%
			Lataa akku.
 	 ↑ ↓ 		Akussa on saatanut olla toimintahäiriö.

**HUOMAA:** Ilmoitettu varaustaso voi erota hieman todellisesta varaustasosta sen mukaan, millaisissa oloissa ja missä lämpötilassa laitetta käytetään.

**HUOMAA:** Ensimmäinen (vasemmanpuoleisin) merkkivalo vilkkuu, kun akun suojausjärjestelmä on toiminnassa.

## Työkalun/akun suojausjärjestelmä

Työkalu on varustettu työkalu/akun suojausjärjestelmällä. Tämä järjestelmä pidentää työkalun ja akun käyttöikää katkaisemalla automaattisesti moottorin virran. Työkalu pysähtyy automaattisesti kesken käytön, jos työkalussa tai akussa ilmenee jokin seuraavista tilanteista:

### Ylikuormitussuoja

Kun työkalua/akkua käytetään tavalla, joka saa sen kuluttamaan epätavallisen suuren määrän virtaa, työkalu pysähtyy automaattisesti ilman mitään merkkivaloa tai ilmaisinta. Katkaise tässä tilanteessa työkalusta virta ja lopeta ylikuormitus tilan aiheuttanut käyttö. Käynnistä sitten työkalu uudelleen kytkemällä siihen virta.

### Ylikuumenemissuoja

Kun työkalu/akku ylikuumentaa, työkalu pysähtyy automaattisesti. Anna työkalun jäähtyä, ennen kuin kytket sen uudelleen päälle.

### Ylipurkautumissuoja

Kun akun varaus on riittämätön, työkalu pysähtyy automaattisesti. Irrota silloin akku työkalusta ja lataa se.

### Suojalukituksen vapauttaminen

Jos suojausjärjestelmä aktivoituu toistuvasti, työkalu lukitaan.

Tässä tilassa työkalu ei käynnisty, vaikka sen virta katkaistaan ja kytketään. Voit vapauttaa suojalukituksen seuraavasti: irrota akku, aseta se akkulaturiin ja odota, että se latautuu kokonaan.

### Suojaus muilta haitallisilta tapahtumilta

Suojausjärjestelmä on suunniteltu suojaamaan työkalu myös muilta tapahtumilta, jotka voisivat vahingoittaa työkalua, ja pysäyttämään työkalu automaattisesti tällaisissa tapauksissa. Kun työkalu tai sen toiminta on pysähtynyt tilapäisesti tai se on pysähtynyt, poista pysähtymisen syyt seuraavien vaiheiden mukaisesti.

1. Käynnistä työkalu uudelleen sammuttamalla se ja kytkemällä se sitten uudelleen päälle.
2. Lataa akut tai vaihda ne ladattuihin akkuihin.
3. Anna työkalun ja akkujen jäähtyä.

Jos suojausjärjestelmän nollaaminen ei korjaa tilannetta, ota yhteys paikalliseen Makita-huoltoon.

## Akselilukko

**VAROITUS:** Älä koskaan kytke akselilukkoa päälle karan pyöriessä. Se voi aiheuttaa vakavan vamman tai työkalun vaurioitumisen.

Kun kiinnität tai irrotat lisälaitteita, estä a pyörimästä painamalla lukitusta.

► **Kuva3:** 1. Akselilukko

## Kytkimen käyttäminen

**HUOMIO:** Varmista ennen akun asentamista työkaluun, että kytkinvipu toimii oikein ja palautuu "OFF"-asentoon, kun se vapautetaan.

**HUOMIO:** Käyttäjän turvallisuuden vuoksi työkalussa on lukituksen vapautusvipu, joka estää sen käynnistämisen vahingossa. **ÄLÄ** koskaan käytä työkalua, jos se käynnistyy pelkästään kytkinvipua painamalla ilman, että lukituksen vapautusvipua käytetään. Toimita työkalu valtuutettuun huoltoon korjattavaksi ENNEN KUIN jatkat sen käyttöä.

**HUOMIO:** Älä vedä kytkinvivusta voimakkaasti, ellei samalla paina lukituksen vapautusvipua. Kytkin voi rikkoutua.

**HUOMIO:** **ÄLÄ** koskaan teippaa tai ohita lukitusvipua.

Työkalussa on lukituksen vapautusvipu, joka estää kytkinvivun painamisen vahingossa. Käynnistä työkalu vetämällä lukituksen vapautusvipua itseesi päin ja vetämällä sitten kytkinvipua. Pysäytä työkalu vapauttamalla kytkinvipu.

► **Kuva4:** 1. Lukituksen vapautusvipu 2. Kytkinvipu

## Vahinkokäynnistyksen estotoiminto

Jos akku asennetaan paikalleen kytkimen ollessa ON-asennossa, työkalu ei käynnisty. Käynnistä työkalu kytkemällä kytkin pois päältä ja uudelleen päälle.

## Aktiivinen jälkipotkun tunnistustekniikka

Työkalu tunnistaa sähköisesti tilanteet, joissa laikka tai lisälaitte voi olla vaarassa juuttua. Silloin työkalu sammuu automaattisesti ja estää akselin pyörimisen (se ei estä takapotkua).

Voit käynnistää työkalun uudelleen sammuttamalla sen ensin, poistamalla syyn äkilliseen pyörimisnopeuden laskuun ja käynnistämällä työkalun.

## Pehmeä käynnistys

Pehmeä käynnistystoiminto vaimentaa käynnistysnykäystä.

## Sähköjarru

Mekaaninen jarru aktivoituu työkalun virran katkeamisen jälkeen.

Jarru ei toimi, jos virtalähteen virta katkaistaan, esimerkiksi jos akku irrotetaan vahingossa, mutta laitteen virtakytkin on päällä.

## KOKOONPANO

**VAROITUS:** Varmista aina ennen säätöjä ja tarkastuksia, että työkalu on sammutettu ja akkupaketti irrotettu.

## Sivukahvan asentaminen (kahva)

**HUOMIO:** Varmista aina ennen käyttöä, että sivukahva on tukevasti paikoillaan.

Kiinnitä sivukahva koneeseen kuvan osoittamalla tavalla.

► **Kuva5**

## Laikan suojuksen asentaminen tai irrottaminen

**VAROITUS:** Jos käytössä on upotetulla navalla varustettu hiomalaikka, lamellilaikka, joustava laikka tai teräsharjalaikka, laikan suojus on kiinnitettävä työkaluun niin, että suojuksen umpinainen puoli tulee aina käyttäjää kohti.

**VAROITUS:** Varmista, että lukitusvipu on jossakin laikan suojuksen rei'istä ja pitää laikan suojuksen varmasti paikallaan.

**VAROITUS:** Varmista hiomakatkaisu-/timanttilaikkaa käyttäessäsi, että käytät ainoastaan katkaisulaikoille tarkoitettua erikoislaikansuojusta.

## Upotetulla navalla varustettu laikka, lamellilaikka, joustolaikka, teräsharjalaikka / hiova katkaisulaikka, timanttilaikka

1. Pidä lukitusvipu painettuna ja kiinnitä laikan suojus niin, että laikan suojuksen ulokkeet tulevat laakeriketolon lovien kohdalle.

► **Kuva6:** 1. Lukitusvipu 2. Lovi 3. Uloke

2. Paina lukitusvipua suuntaan A samalla, kun pidät laikan suojuksen kuvan mukaisia osia B painettuina.

► **Kuva7:** 1. Laikan suojus 2. Reikä

**HUOMAA:** Paina laikan suojus alas suorassa. Muutoin laikan suojusta ei voi kiinnittää.

3. Voit muuttaa laikan suojuksen kulmaa työn mukaan käyttäjää parhaiten suojaavaksi pitämällä lukitusvipua painettuna suuntaan A samalla, kun käänät laikan suojusta suuntaan C. Kohdistamalla lukitusvipu johonkin laikan suojuksessa olevaan reikään ja lukitit laikan suojus sitten paikalleen vapauttamalla lukitusvipu.

► **Kuva8:** 1. Laikan suojus 2. Reikä

Irrota laikan suojus päinvastaisessa järjestyksessä.

## Katkaisulaikan pikakiinnitettävä suojus

### Lisävaruste

**HUOMAA:** Katkaisutoimenpiteitä varten laikan suojuksen (hiomalaikka) kanssa voidaan käyttää katkaisulaikan pikakiinnitettävää suojusta.

Ei saatavilla kaikissa maissa.

► **Kuva9**

## Upotetulla navalla varustetun laikan tai lamellilaikan asentaminen ja irrottaminen

### Lisävaruste

**VAROITUS:** Jos käytössä on upotetulla navalla varustettu laikka tai lamellilaikka, laikan suojus on kiinnitettävä työkaluun niin, että suojuksen umpinainen puoli tulee aina käyttäjää kohti.

**VAROITUS:** Varmista, että sisälaipan asennusosa sopii upotetulla navalla varustetun laikan/lamellilaikan sisähalkaisijaan täydellisesti. Sisälaipan asentaminen väärälle puolelle saattaa aiheuttaa vaarallista ääriä.

Asenna sisälaippa karaan. Varmista, että sisälaipan upotettu kohta on vasten karan alaosan suoraa osaa. Sovita upotetulla navalla varustettu laikka/lamellilaikka sisälaipalle ja kierrä lukkomutteri karaan.

► **Kuva10:** 1. Lukkomutteri 2. Upotetulla navalla varustettu laikka 3. Sisälaippa 4. Asennusosa

Kiristä lukkomutteri painamalla akselilukkoa voimakkaasti niin, ettei kara pääse pyörimään, ja kiristä lukkomutteri sitten lukkomutteriavaimella myötäpäivään kääntämällä.

► **Kuva11:** 1. Lukkomutteriavain 2. Akselilukko  
Laikka irrotetaan päinvastaisessa järjestyksessä.

## Joustolaikan kiinnitys ja irrotus

### Lisävaruste

**VAROITUS:** Käytä aina mukana toimitettua suojusta, kun joustolaikka on kiinni työkalussa. Laikka voi hajota käytössä, joten suojus vähentää henkilövahingon riskiä.

► **Kuva12:** 1. Lukkomutteri 2. Joustolaikka 3. Varatyyny 4. Sisälaippa

Noudata upotetulla navalla varustettua laikkaa koskevia ohjeita, mutta käytä lisäksi laikan päällä varatyynyä.

## Hiomalaikan asentaminen tai irrottaminen

### Lisävaruste

**HUOMAA:** Käytä vain tässä ohjekirjassa määritettyjä hiomakoneita. Ne on ostettava erikseen.

## 100 mm:n (4") malli

► **Kuva13:** 1. Hionnan lukkomutteri 2. Hiomalaikka 3. Kumityyny 4. Sisälaippa

1. Asenna sisälaippa karaan.
2. Asenna kumityyny karaan.
3. Sovita laikka kumityynyyn ja kiinnitä hiomalaikan lukkomutteri karaan.
4. Pidätä karaa akselilukolla ja kiristä hiomalaikan lukkomutteriä myötäpäivään lukkomutteriavaimella. Irrota laikka päinvastaisessa järjestyksessä.

## Muut mallit kuin 100 mm (4")

► **Kuva14:** 1. Hionnan lukkomutteri 2. Hiomalaikka 3. Kumityyny

1. Asenna kumityyny karaan.
2. Sovita laikka kumityynyyn ja kiinnitä hiomalaikan lukkomutteri karaan.
3. Pidätä karaa akselilukolla ja kiristä hiomalaikan lukkomutteriä myötäpäivään lukkomutteriavaimella. Irrota laikka päinvastaisessa järjestyksessä.

## Ezynut-mutterin asennus tai irrotus

### Lisävaruste

Vain työkaluille, joiden karan kierre on M14.

Kiinnitä sisälaippa, hiomalaikka ja Ezynut karaan niin, että Ezynutin Makita-logo näkyy ulospäin.

► **Kuva15:** 1. Ezynut 2. Hiomalaikka 3. Sisälaippa 4. Kara

Paina akselilukkoa tiukasti ja kiristä Ezynut kiertämällä hiomalaikkaa myötäpäivään niin pitkälle kuin se menee.

► **Kuva16:** 1. Akselilukko

Löysää Ezynut-mutteriä kääntämällä Ezynutin ulkorengasta vastapäivään.

**HUOMAA:** Ezynut voidaan löysätä käsivoimin aina, kun nuoli on loven kohdalla. Muissa tapauksissa avaamiseen tarvitaan sakara-avainta. Sovita yksi avaimen sakara koloon ja kierrä Ezynutiä vastapäivään.

► **Kuva17:** 1. Nuoli 2. Lovi

► **Kuva18**

## Hiovan katkaisulaikan/timanttilaikan asentaminen

### Lisävaruste

**VAROITUS:** Varmista hiomakatkaisu-/timanttilaikkaa käyttäessäsi, että käytät ainoastaan katkaisulaikoille tarkoitettua erikoislaikansuojusta.

**VAROITUS:** ÄLÄ KOSKAAN käytä katkoloikkaa sivun hiontaan.

**HUOMIO:** Kun asennat timanttilaikkaa, kohdistu laikkassa olevan nuolen suunta työkalussa olevan nuolen kanssa.

► **Kuva19:** 1. Lukkomutteri 2. Hiova katkaisulaikka/timanttilaikka 3. Sisälaippa 4. Hiovan katkaisulaikan/timanttilaikan suojus

Noudata asennuksessa upotetulla navalla varustetun laikan ohjeita.

Sisälaipan ja lukkomutterin kiinnityssuunta vaihtelee laikan tyyppin ja paksuuden mukaan.

Katso yksityiskohtia seuraavista kuvista.

## 100 mm:n (4") malli

### Hiovan katkaisulaikan asennus:

- **Kuva20:** 1. Lukkomutteri 2. Hiova katkaisulaikka (ohuempi kuin 4 mm (5/32")) 3. Hiova katkaisulaikka (4 mm (5/32")) tai paksumpi) 4. Sisälaippa

### Timanttilaikan asennus:

- **Kuva21:** 1. Lukkomutteri 2. Timanttilaikka (ohuempi kuin 4 mm (5/32")) 3. Timanttilaikka (4 mm (5/32")) tai paksumpi) 4. Sisälaippa

## Muut mallit kuin 100 mm (4")

### Hiovan katkaisulaikan asennus:

- **Kuva22:** 1. Lukkomutteri 2. Hiova katkaisulaikka (ohuempi kuin 4 mm (5/32")) 3. Hiova katkaisulaikka (4 mm (5/32")) tai paksumpi) 4. Sisälaippa

### Timanttilaikan asennus:

- **Kuva23:** 1. Lukkomutteri 2. Timanttilaikka (ohuempi kuin 4 mm (5/32")) 3. Timanttilaikka (4 mm (5/32")) tai paksumpi) 4. Sisälaippa

## Teräskuppiharjan asentaminen

### Lisävaruste

**⚠HUOMIO:** Älä käytä teräskuppiharjaa, jos se on vaurioitunut tai epätasapainossa. Vaurioituneen teräskuppiharjan käyttäminen voi aiheuttaa loukkaantumisvaaran harjan katkenneiden lankojen takia.

Aseta työkalu ylösalaisin, jotta karaan päästään helposti käsiksi.

Poista karassa mahdollisesti olevat lisävarusteet. Kierrä teräskuppiharja karaan ja kiristä se työkalun mukana toimitettavalla avaimella.

- **Kuva24:** 1. Teräskuppiharja

## Teräsharjalaikan asentaminen

### Lisävaruste

**⚠HUOMIO:** Älä käytä teräsharjalaikkaa, jos se on vaurioitunut tai epätasapainossa. Vaurioituneen teräsharjalaikan käyttäminen voi aiheuttaa loukkaantumisvaaran katkenneiden harjasten takia.

**⚠HUOMIO:** Käytä teräsharjalaikan kanssa AINA suojusta. Varmista, että laikka mahtuu suojuksen sisäpuolelle. Laikka voi hajota käytössä, joten suojuksen vähentää henkilövahingon riskiä.

Aseta työkalu ylösalaisin, jotta karaan päästään helposti käsiksi.

Poista karassa mahdollisesti olevat lisävarusteet. Kiinnitä teräsharjalaikka karaan ja kiristä se avaimilla.

- **Kuva25:** 1. Teräsharjalaikka

## Reikäleikkurin asentaminen

### Lisävaruste

Aseta työkalu ylösalaisin, jotta karaan päästään helposti käsiksi. Poista karassa mahdollisesti olevat lisävarusteet. Kierrä reikäleikkuri karaan ja kiristä se toimitukseen kuuluvalla kiintoavaimella.

- **Kuva26:** 1. Reikäleikkuri

## Pölyä keräävän laikan suojuksen asentaminen hiomista varten

### Vain malli GA049G / GA050G

### Lisävaruste

Tätä laitetta voi käyttää valinnaisten lisävarusteiden avulla betonipintojen tasohiontaan.

**⚠HUOMIO:** Tärinää vaimentavan timanttilaikan pölyä keräävää suojusta käytetään vain betonipintojen tasohiontaan tärinää vaimentavalla timanttilaikalalla. Älä käytä suojusta muiden leikkuuvälineiden kanssa tai muuhun tarkoitukseen.

**⚠HUOMIO:** Varmista ennen käyttöä, että pölynimuri on yhdistetty laitteeseen ja että se on käynnissä.

Aseta työkalu ylösalaisin ja asenna pölyä keräävä laikan suojuksen.

Asenna sisälaippa karaan.

Sovita timanttikuppilaikka sisälaipalle ja kierrä lukkomutteri karaan.

- **Kuva27:** 1. Lukkomutteri 2. Timanttikuppilaikka 3. Navallinen timanttikuppilaikka 4. Sisälaippa 5. Pölyä keräävä laikan suojuksen 6. Laakeripesä

**HUOMAA:** Katso pölyä keräävän laikan suojuksen asennusohjeet sen käyttöohjeista.

## Pölyä keräävän laikan suojuksen asentaminen leikkaamista varten

### Vain malli GA048G / GA049G / GA050G

### Lisävaruste

Tätä laitetta voidaan käyttää valinnaisten lisävarusteiden avulla kivimateriaalien leikkaamiseen.

- **Kuva28**

**HUOMAA:** Katso pölyä keräävän laikan suojuksen asennusohjeet sen käyttöohjeista.

# TYÖSKENTELY

**VAROITUS:** Älä koskaan pakota konetta. Koneen oma paino riittää. Pakottaminen ja liiallinen painaminen voi aiheuttaa vaarallisen laikan rikkoutumisen.

**VAROITUS:** Vaihda laikka AINA, jos kone pääsee putoamaan hionnan aikana.

**VAROITUS:** ÄLÄ KOSKAAN iske tai kolhi laikkaa työkalupaleeseen.

**VAROITUS:** Vältä laikan pomppimista ja jumittumista varsinkin silloin, kun työstät nurkkia, teräviä reunoja ja niin edelleen. Seurauksena voi olla hallinnan menetys ja takapotku.

**VAROITUS:** ÄLÄ KOSKAAN asenna koneeseen puun leikkaamiseen tarkoitettuja teriä tai muita sahanteriä. Kulmahiomakoneessa käytettynä nämä terät aiheuttavat usein takapotkun ja hallinnan menetyksen, jolloin seurauksena voi olla henkilövahinko.

**HUOMIO:** Älä koskaan käynnistä konetta, kun se koskettaa työkalupaleeseen, koska tämä voi aiheuttaa käyttäjälle vammoja.

**HUOMIO:** Käytä aina suojalaseja tai kasvosuojusta käytön aikana.

**HUOMIO:** Käytön jälkeen katkaise koneesta aina virta ja odota, kunnes laikka on täysin pysähtynyt ennen kuin lasket koneen käsistä.

**HUOMIO:** Ota työkalusta AINA tukeva ote toisen käden ollessa rungossa ja toisen käden ollessa sivukahvassa (kahva).

**HUOMAA:** Kaksitoimilaikkaa voidaan käyttää sekä hiomiseen että leikkaamiseen.

Katso ohjeita hiomisesta kohdasta "Hionta" ja leikkaamisesta kohdasta "Hiovan katkaisulaikan/timanttilaikan käyttäminen".

## Hionta

► Kuva29

Käynnistä kone ja vie sitten laikka työkalupaleeseen. Pidä yleisesti laikkaa noin 15°:een kulmassa työkalupaleen pintaan nähden.

Kun ajat sisään uuttaa laikkaa, älä käytä hiomakonetta hioaksesi eteenpäin, koska tällöin laikka voi leikata työkalupaleeseen. Sitten kun laikan reuna on pyöristynyt käytössä, konetta voidaan käyttää sekä eteenpäin että taaksepäin.

**Käyttöesimerkki:** timanttikuppilaikan käyttäminen  
► Kuva30

Pidä työkalu vaakasuorassa ja vie koko timanttikuppilaikka työkalupaleen pinnalle.

# Hiovan katkaisulaikan/timanttilaikan käyttäminen

## Lisävaruste

**VAROITUS:** Älä anna laikan juuttua kiinni tai työnnä sitä liiallisella voimalla. Älä yritä tehdä liian syvää uraa. Laikan liiallinen painaminen voi aiheuttaa laikan kiertymisen tai juuttumisen, takapotkun, laikan rikkoutumisen tai moottorin ylikuumenemisen.

**VAROITUS:** Älä aloita leikkaamista työkalu kiinni työstettävässä kappaleessa. Anna laikan saavuttaa täysi nopeus ja aseta se varovasti leikkattavaan kohtaan työntämällä työkalua eteenpäin työstettävän kappaleen pinnan yli. Laikka saattaa juuttua, nousta ylös tai potkaista takaisin, jos työkalu käynnistetään kiinni työstettävässä kappaleessa.

**VAROITUS:** Leikkaustoiminnan aikana, älä koskaan vaihda laikan kulmaa. Jos sijoitat katkaisulaikkaan sivupainetta (kuten hiomisen aikana), se voi aiheuttaa laikan murtumisen ja katkeamisen, mikä voi aiheuttaa henkilövamman.

**VAROITUS:** Timanttilaikkaa on pidettävä koh-tisuorassa leikkattavaan materiaaliin nähden.

**Käyttöesimerkki:** hiovan katkaisulaikan käyttäminen  
► Kuva31

**Käyttöesimerkki:** timanttilaikan käyttäminen  
► Kuva32

## Teräskuppiharjan käyttö

### Lisävaruste

**HUOMIO:** Tarkista teräskuppiharjan toiminta käyttämällä työkalua ilman kuormitusta. Varmista, ettei kukaan ole teräskuppiharjan edessä tai tiellä.

**HUOMAUTUS:** Vältä liiallista painamista, koska se voi aiheuttaa harjasten liiallista taipumista teräskuppiharjaa käytettäessä. Se voi aiheuttaa ennenaikaisen rikkoutumisen.

**Käyttöesimerkki:** teräskuppiharjan käyttäminen  
► Kuva33

## Teräsharjalaikan käyttäminen

### Lisävaruste

**HUOMIO:** Tarkista teräsharjalaikan toiminta käyttämällä työkalua ilman kuormitusta. Varmista, ettei kukaan ole teräsharjalaikan tiellä.

**HUOMAUTUS:** Vältä liiallista painamista, koska se voi aiheuttaa harjasten liiallista taipumista harjalaikkaa käytettäessä. Se voi aiheuttaa ennen- aikaisen rikkoutumisen.

**Käyttöesimerkki:** teräsharjalaikan käyttäminen  
► Kuva34

## Reikäleikkurin käyttö

### Lisävaruste

**⚠️HUOMIO:** Tarkista reikäleikkurin toiminta käyttämällä työkalua ilman kuormitusta. Varmista, ettei kukaan ole reikäleikkurin edessä.

**HUOMAUTUS:** Älä kallista työkalua työkentelyn aikana. Se voi aiheuttaa ennenaikaisen rikkoutumisen.

Käyttöesimerkki: reikäleikkurin käyttäminen

► Kuva35

## KUNNOSSAPITO

**⚠️VAROITUS:** Varmista aina ennen tarkastusta tai huoltoa, että työkalu on sammutettu ja akku irrotettu.

**HUOMAUTUS:** Älä koskaan käytä bensiiniä, ohenteita, alkoholia tai tms. aineita. Muutoin pinta voi halkeilla tai sen värit ja muoto voivat muuttua. Muutoin laitteeseen voi tulla värjäytymiä, muodon vääristymiä tai halkeamia.

Tuotteen TURVALLISUUDEN ja LUOTETTAVUUDEN takaamiseksi korjaukset, muut huoltotyöt ja säädöt on teetettävä Makitan valtuutetussa huoltopisteessä Makitan varaosia käyttäen.

## Ilma-aukkojen puhdistaminen

Kone ja sen ilma-aukot on pidettävä puhtaina. Puhdista koneen ilma-aukot säännöllisesti tai aina kun ne alkavat tukkeutua.

► **Kuva36:** 1. Ilman poistoaukko 2. Ilman tuloaukko

Varmista ilman tasainen kierto irrottamalla pölysuojus ilmanottoaukosta ja puhdistamalla se.

► **Kuva37:** 1. Pölysuojus

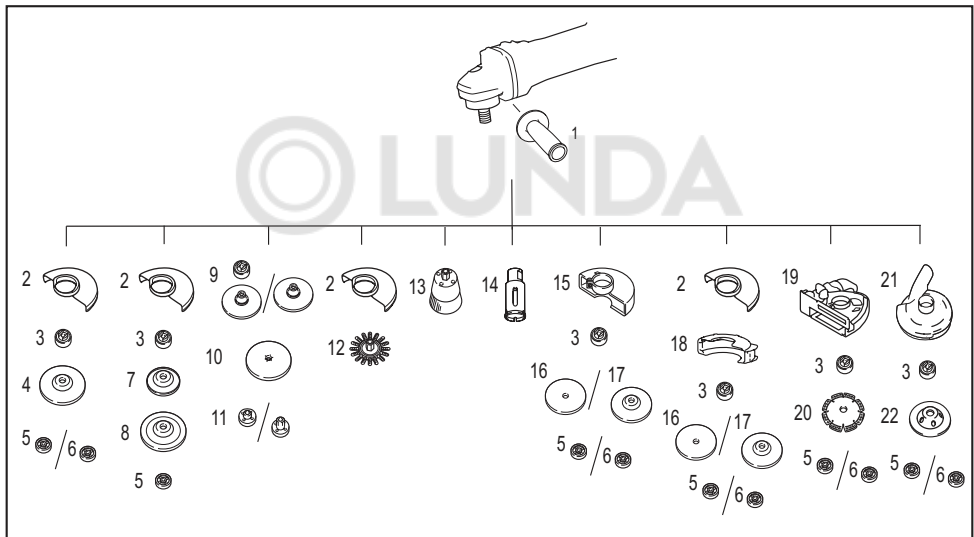
**HUOMAUTUS:** Puhdista pölysuojus, jos se on vierasaineiden tukkima. Työn jatkaminen tukkeutunutta pölysuojusta käyttäen voi vaurioittaa työkalua.

# SOVELLUSTEN JA LISÄVARUSTEIDEN YHDISTELMÄ

## Lisävaruste

**▲HUOMIO:** Työkalun käyttäminen virheellisten suojusten kanssa voi aiheuttaa seuraavia riskejä.

- Jos käytetään katkaisulaikan suojusta pintahiontaan, laikan suojus saattaa koskettaa työkalupäätä ja haitata hallintaa.
- Jos käytetään hiomalaikan suojusta katkaisemiseen hiomalaikoilla ja timanttilaikoilla, on suurempi vaara altistua pyöriville laikoille, syntyville kipinöille ja hiukkasille sekä laikan pirstaleille, jos se rikkoutuu.
- Jos käytetään katkaisulaikan suojusta tai hiomalaikan suojusta pintahiontaan timanttikuppilaikoilla, laikan suojus saattaa koskettaa työkalupäätä ja haitata hallintaa.
- Jos käytetään katkaisulaikan suojusta tai hiomalaikan suojusta lankaharjalaikan kanssa, jonka paksuus on suurempi kuin teknisissä tiedoissa määritetty, langat saattavat tarttua suojukseen ja katketa.
- Pölyä keräävien laikan suojusten käyttäminen betonin tai kiven leikkaamiseen ja pintakäsittelyyn pienentää pölylle altistumisen riskiä.
- Jos käytetään kaksikäyttöisiä (yhdistetty hionta ja katkaisu) laippakiinnitteisiä laikkoja, käytä vain katkaisulaikan suojusta.



-	Käyttö	100 mm:n malli	115 mm:n malli	125 mm:n malli	150 mm:n malli
1	-	Sivukahva			
2	-	Laikan suojus (hiomalaikalle)			
3	-	Sisälaippa			
4	Hionta	Upotetulla navalla varustettu laikka / lamellilaikka			
5	-	Lukkomutteri			
6	-	-	Ezynut-mutteri *1		
7	-	Varatyyny			
8	Hionta	Joustolaikka			
9	-	Sisempi laippa ja kumityyny 76	Kumityyny 100	Kumityyny 115	Kumityyny 125
10	Hionta	Hiomalaikka			
11	-	Hionnan lukkomutteri			
12	Teräsharjaus	Teräsharjalaikka			
13	Teräsharjaus	Teräskuppiharja			
14	Reiän leikkaus	Reikäleikkuri			

-	Käyttö	100 mm:n malli	115 mm:n malli	125 mm:n malli	150 mm:n malli
15	-	Laikan suojus (katkaisulaipalle)			
16	Leikkaaminen	Hiova katkaisulaikka / timanttilaikka			
17	Hionta/leikkaaminen	Kaksoiskäyttöaika			-
18	-	Katkaisulaikan pikakiinnitettävä suojus *2			
19	-	Pölyä keräävä laikan suojus leikkaamista varten *3			-
20	Leikkaaminen	Timanttilaikka			-
21	-	-	Pölyä keräävä laikan suojus hiomakäyttöön *4		-
22	Hionta	-	Timanttikuppilaikka *4		-
-	-	Lukkomutteriavain			

**HUOMAA:** \*1 Vain työkaluille, joiden karan kierre on M14.

**HUOMAA:** \*2 Katkaisulaikan klipsisuojusta ei ole saatavana eräissä maissa. Katso lisätietoja katkaisulaikan klipsisuojuksen käyttöoppaasta.

**HUOMAA:** \*3 Vain malli GA048G / GA049G / GA050G

Katso lisätietoja suojuksen käyttöohjeesta.

**HUOMAA:** \*4 Vain malli GA049G / GA050G

Katso lisätietoja suojuksen käyttöohjeesta.

## LISÄVARUSTEET

**⚠HUOMIO:** Seuraavia lisävarusteita tai laitteita suositellaan käytettäväksi tässä ohjeessa kuvatun Makita-työkalun kanssa. Muiden lisävarusteiden tai laitteiden käyttö voi aiheuttaa henkilövahinkoja. Käytä lisävarusteita ja -laitteita vain niiden käyttötarkoituksen mukaisesti.

Jos tarvitset apua tai yksityiskohtaisempia tietoja seuraavista lisävarusteista, ota yhteys paikalliseen Makitan huoltoon.

- Aito Makitan akku ja laturi
- SOVELLUSTEN JA LISÄVARUSTEIDEN YHDISTELMÄ -kohdassa luetellut lisävarusteet

**HUOMAA:** Jotkin luettelossa mainitut varusteet voivat sisältyä työkalun toimitukseen vakiovarusteina. Ne voivat vaihdella maittain.

## SPECIFIKATIONER

Model:		GA048G	GA049G	GA050G	GA051G
Anvendelig slibeskive	Maks. diameter af skiven	100 mm	115 mm	125 mm	150 mm
	Maks. skivetykkelse	6,4 mm	7,2 mm		6,4 mm
Anvendelig afskæringsskive	Maks. diameter af skiven	105 mm	115 mm	125 mm	150 mm
	Maks. skivetykkelse	3,2 mm			3,0 mm
Anvendelig trådskivebørste	Maks. diameter af skiven	100 mm	115 mm	125 mm	
	Maks. skivetykkelse	20 mm			
Spindelgevind		M10	M14 eller 5/8" (landespecifik)		
Maks. spindellængde		18 mm	23 mm		
Hastighed uden belastning (n <sub>0</sub> ) / Mærkehastighed (n)		11.000 min <sup>-1</sup>			9.000 min <sup>-1</sup>
Samlet længde (med BL4040)		410 mm			
Nettovægt		2,8 - 5,2 kg	3,0 - 5,4 kg	3,1 - 4,7 kg	
Mærkespænding		D.C. 36 V - 40 V maks.			

- På grund af vores kontinuerlige forsknings- og udviklingsprogrammer kan hosstående specifikationer blive ændret uden varsel.
- Specifikationer kan variere fra land til land.
- Vægten kan være anderledes afhængigt af tilbehøret, inklusive akkuen. Den letteste og tungeste kombination i henhold til EPTA-procedure 01/2014 er vist i tabellen.

### Anvendelig akku og oplader

Akku	BL4020 / BL4025* / BL4040* / BL4050F* / BL4080F * : Anbefalet batteri
Oplader	DC40RA / DC40RB / DC40RC

- Nogle af de akkuer og opladere, der er angivet ovenfor, er muligvis ikke tilgængelige, afhængigt af hvilket område du bor i.

**⚠ ADVARSEL:** Brug kun de akkuer og opladere, der er angivet ovenfor. Brug af andre akkuer og opladere kan medføre personskade og/eller brand.

### Anbefalet ledningstilsluttet strømforsyningskilde

Bærbær strømforsyning	PDC01 / PDC1200
-----------------------	-----------------

- Den eller de ovenfor anførte ledningstilsluttede strømforsyningskilder er muligvis ikke tilgængelige, afhængigt af hvilket område du bor i.
- Inden du bruger den ledningstilsluttede strømforsyningskilde, skal du læse instruktionen og advarselmærkerne på den.

### Symboler

Følgende viser de symboler, der muligvis anvendes til udstyret. Sørg for, at du forstår deres betydning før brugen.



Læs brugsanvisningen.



Bær sikkerhedsbriller.



Betjen altid med to hænder.



Brug ikke beskyttelseskærmen til afskæring.



Kun for lande inden for EU  
 På grund af tilstedeværelsen af farlige komponenter i udstyret kan affald af elektrisk og elektronisk udstyr, akkumulatører og batterier have en negativ indvirkning på miljøet og folkesundheden.  
 Bortskaf ikke elektriske og elektroniske apparater eller batterier sammen med husholdningsaffald!  
 I overensstemmelse med EF-direktiv om affaldshåndtering af elektrisk og elektronisk udstyr og om akkumulatører og batterier og affaldsakkumulatører og -batterier, og i overensstemmelse med national lovgivning, skal brugt elektrisk udstyr, batterier og akkumulatører opbevares separat og leveres til et separat indsamlingssted for kommunalt affald, der er etableret i henhold til bestemmelserne om miljøbeskyttelse. Dette er angivet ved symbolet på den krydsede skraldespand, der er placeret på udstyret.

## Tilsigtet anvendelse

Denne maskine er beregnet til afslibning, sandslibning, trådbørstning, hullskæring og skæring i metal- og stenmaterialer uden anvendelse af vand.

## Støj

Det typiske A-vægtede støjniveau bestemt i overensstemmelse med EN62841-2-3:

Model	Lydtrykniveau (L <sub>PA</sub> ): (dB (A))	Lydeffektniveau (L <sub>WA</sub> ): (dB (A))	Usikkerhed (K): (dB (A))
GA048G	84	92	3
GA049G	85	93	3
GA050G	85	93	3
GA051G	85	93	3

**BEMÆRK:** De(n) angivne støjemissionsværdi(er) er målt i overensstemmelse med en standardtestmetode og kan anvendes til at sammenligne en maskine med en anden.

**BEMÆRK:** De(n) angivne støjemissionsværdi(er) kan også anvendes i en præliminær eksponeringsvurdering.

**⚠ ADVARSEL:** Bær høreværn.

**⚠ ADVARSEL:** Støjemissionen under den faktiske anvendelse af maskinen kan være forskellig fra de(n) angivne værdi(er), afhængigt af den måde hvorpå maskinen anvendes, især den type arbejdsemne der behandles.

**⚠ ADVARSEL:** Sørg for at identificere de sikkerhedsforskrifter til beskyttelse af operatøren, som er baseret på en vurdering af eksponering under de faktiske brugsforhold (med hensyntagen til alle dele i brugscykklussen, f.eks. de gange, hvor maskinen er slukket, og når den kører i tomgang i tilgift til afbrydertiden).

**⚠ ADVARSEL:** Slibning af tynde metalplader eller andre nemt vibrerende strukturer med en stor overflade kan resultere i en samlet støjemission, som er meget højere (op til 15 dB) end de angivne støjemissionsværdier.

Placer tunge fleksible dæmpende måtter eller lignende på disse arbejdsemner for at forhindre dem i at udsende lyd.

Tag den forøgede støjemission med i overvejslen for både risikovurderingen for udsættelse af støj og valg af passende høreværn.

## Vibration

Vibrationens totalværdi (tre-aksial vektorsum) bestemt i overensstemmelse med EN62841-2-3:

**Funktionstilstand: overfladeslibning med normalt sidehåndtag**

Model	Vibrationsafgivelse (a <sub>hV AG</sub> ): (m/s <sup>2</sup> )	Usikkerhed (K): (m/s <sup>2</sup> )
GA048G	8,2	1,5
GA049G	8,5	1,5
GA050G	8,9	2,2
GA051G	12,1	1,5

## Funktionstilstand: overfladeslibning med anti-vibrations-sidehåndtag

Model	Vibrationsafgivelse ( $a_{hv, AG}$ ): (m/s <sup>2</sup> )	Usikkerhed (K): (m/s <sup>2</sup> )
GA048G	7,1	1,5
GA049G	7,7	1,5
GA050G	8,8	1,5
GA051G	12,7	1,6

## Funktionstilstand: disksandslibning med normalt sidehåndtag

Model	Vibrationsemission ( $a_{hv, DS}$ ): (m/s <sup>2</sup> )	Usikkerhed (K): (m/s <sup>2</sup> )
GA048G	2,5 m/s <sup>2</sup> eller mindre	1,5
GA049G	2,8	1,5
GA050G	2,6	1,5
GA051G	3,1	1,5

## Funktionstilstand: disksandslibning med anti-vibrations-sidehåndtag

Model	Vibrationsemission ( $a_{hv, DS}$ ): (m/s <sup>2</sup> )	Usikkerhed (K): (m/s <sup>2</sup> )
GA048G	2,5 m/s <sup>2</sup> eller mindre	1,5
GA049G	2,8	1,5
GA050G	2,5	1,5
GA051G	3,5	1,5

**BEMÆRK:** De(n) angivne totalværdi(er) for vibration er målt i overensstemmelse med en standardtestmetode og kan anvendes til at sammenligne en maskine med en anden.

**BEMÆRK:** De(n) angivne totalværdi(er) for vibration kan også anvendes i en præliminær eksponeringsvurdering.

**⚠ ADVARSEL:** Vibrationsemissionen under den faktiske anvendelse af maskinen kan være forskellig fra de(n) angivne værdi(er), afhængigt af den måde hvorpå maskinen anvendes, især den type arbejdsemne der behandles.

**⚠ ADVARSEL:** Sørg for at identificere de sikkerhedsforskrifter til beskyttelse af operatøren, som er baseret på en vurdering af eksponering under de faktiske brugsforhold (med hensyntagen til alle dele i brugscyklussen, f.eks. de gange, hvor maskinen er slukket, og når den kører i tomgang i tilgift til afbrødertiden).

**⚠ ADVARSEL:** Den erklærede værdi for vibrationsemission gælder for el-værktøjets primære anvendelser. Hvis el-værktøjet imidlertid anvendes til andre formål, kan værdien for vibrationsemission være anderledes.

## Overensstemmelseserklæringer

### Kun for lande i Europa

Overensstemmelseserklæringerne er inkluderet i Bilag A i denne brugsanvisning.

## SIKKERHEDSADVARSLER

### Almindelige sikkerhedsregler for el-værktøj

**⚠ ADVARSEL** Læs alle sikkerhedsadvarsler, instruktioner, illustrationer og specifikationer, der følger med denne maskine. Hvis du ikke følger alle nedenstående instruktioner, kan det medføre elektrisk stød, brand og/eller alvorlig personskade.

### Gem alle advarsler og instruktioner til fremtidig reference.

Ordet "el-værktøj" i advarslerne henviser til det netforsynede (netledning) el-værktøj eller batteriforsynede (akku) el-værktøj.

## Sikkerhedsadvarsler for ledningsfri sliber

Almindelige sikkerhedsadvarsler for anvendelser med slibning, sandslibning, trådbørstning eller afskæring:

1. Denne maskine er beregnet til at fungere som en sliber, slibemaskine med sandpapir, trådbørste, hulskærer eller afskæringsværktøj. Læs alle de sikkerhedsadvarsler, instruktioner, illustrationer og specifikationer, der følger med denne maskine. Manglende overholdelse af alle nedenstående instruktioner kan medføre elektrisk stød, brand og/eller alvorlig personskade.
2. Der må ikke udføres handlinger som polering med denne maskine. Handlinger, som maskinen ikke er designet til, kan medføre fare og forårsage personskade.
3. Omdan ikke denne maskine til at fungere på en måde, der ikke er specielt designet og angivet af maskinproducenten. Sådant en omdannelse kan muligvis resultere i tab af kontrol og forårsage alvorlig personskade.

4. **Anvend ikke tilbehør, der ikke er specielt designet og angivet af maskinproducenten.** Bare fordi tilbehøret kan monteres på din maskine, garanterer det ikke sikker drift.
  5. **Tilbehørets mærkehastighed skal mindst svare til den maksimale hastighed, der er angivet på maskinen.** Tilbehør, der kører hurtigere end deres mærkehastighed, kan gå i stykker og slynges bort.
  6. **Den udvendige diameter og tykkelsen på dit tilbehør skal ligge inden for maskinens kapacitetsklassificering.** Tilbehør med forkert størrelse kan ikke beskyttes eller kontrolleres tilstrækkeligt.
  7. **Målene for tilbehørsmonteringen skal passe til målene for monteringsdelen på maskinen.** Tilbehør, der ikke passer til maskinens monteringsdele, vil miste balancen, vibrere for meget og kan medføre tab af kontrol.
  8. **Anvend ikke et beskudiget tilbehør. Før hver anvendelse undersøges tilbehøret, såsom slibeskiver for skår og revner, bagtallerken for revner, rift eller overdrevne slitage, trådbørste for løse eller knækkede tråde. Hvis maskinen eller tilbehøret tabes, skal du undersøge, om det er beskudiget, eller montere et ubeskudiget tilbehør. Efter inspektion og montering af tilbehør, skal du og omkringstående stå på god afstand af det roterende tilbehørs flade, og maskinen skal køres på højeste, ubelastede hastighed i et minut. Beskudiget tilbehør vil normalt gå i stykker i løbet af denne testperiode.**
  9. **Bær personligt beskyttelsesudstyr. Afhængigt af anvendelsen skal der anvendes en ansigts-skærm, beskyttelsesbriller eller sikkerhedsbriller. Bær eventuelt støvmaske, høreværn, handsker og værkstedsforklæde, der kan stoppe små slibedele eller fragmenter af arbejdsemnet. Øjenværnet skal kunne standse flyvende snavs, der opstår ved forskellige anvendelser. Støvmasken eller åndedrætsværnet skal kunne filtrere partikler, der opstår under den særlige anvendelse. Langvarig eksponering for støj med høj intensitet kan medføre høretab.**
  10. **Hold tilskuere i sikker afstand fra arbejdsområdet. Alle, der kommer ind i arbejdsområdet, skal anvende personligt beskyttelsesudstyr.** Fragmenter af arbejdsemnet eller af et ødelagt tilbehør kan blive slynget væk og forårsage personskade uden for det umiddelbare arbejdsområde.
  11. **Hold kun maskinen ved hjælp af de isolerede gribeblade, når du udfører en handling, hvor skæreværktøjet kan komme i kontakt med skjulte ledninger.** Kontakt med en "strømførende" ledning vil også gøre maskinens eksponerede metaldele "strømførende" og kan give operatøren et elektrisk stød.
  12. **Læg aldrig maskinen ned, før tilbehøret er stoppet helt.** Det roterende tilbehør kan gribe fat i overfladen og trække maskinen ud af din kontrol.
  13. **Lad ikke maskinen køre, mens du bærer den ved din side.** Utsigtet kontakt med det roterende tilbehør kan få fat i dit tøj og trække tilbehøret ind mod kroppen.
  14. **Rengør maskinværktøjets ventilationsåbninger med jævne mellemrum.** Motorens ventilator trækker støvet ind i huset, og overdreven ophobning af pulveriseret metal kan forårsage elektriske farer.
  15. **Brug ikke maskinværktøjet i nærheden af brændbare materialer.** Gnister kan antænde disse materialer.
  16. **Anvend ikke tilbehør, der kræver flydende kølemidler.** Anvendelse af vand eller andre flydende kølemidler kan medføre elektrisk aflivning eller stød.
- Tilbageslag og relaterede advarsler:**
- Tilbageslag er en pludselig reaktion på en fastklemt eller blokeret roterende skive, bagtallerken, børste eller andet tilbehør. En fastklemt eller blokeret del forårsager hurtig standsning af det roterende tilbehør, som derved bliver årsag til, at det ukontrollerede maskinværktøj bliver tvunget i den modsatte retning af tilbehørets rotation ved punktet for bindingen.
- Hvis for eksempel en slibeskive er blokeret eller fastklemt af arbejdsemnet, kan kanten på skiven, som går ind i fastklemningspunktet, grave sig ind i materialets overflade og derved bevirke, at skiven kommer ud eller presses ud. Skiven kan enten springe mod eller væk fra operatøren, afhængigt af retningen af skivens bevægelse på det sted, hvor den klemmes. Slibeskiver kan også brække under disse forhold.
- Tilbageslag er et resultat af misbrug af og/eller forkert betjening af maskinen eller forkerte brugsforhold. Dette kan undgås ved, at der tages de rette forholdsregler som anvist herunder.
1. **Hold godt fast i maskinværktøjet med begge hænder, og placer din krop og arme, så du kan modstå tilbageslagskræfter. Anvend altid hjælpehåndtag, hvis det er til rådighed, for maksimal kontrol over tilbageslag eller drejningsmomentreaktion under opstart.** Operatøren kan styre drejningsmomentreaktioner eller tilbageslagskræfter, hvis der træffes passende forholdsregler.
  2. **Anbring aldrig hånden i nærheden af det roterende tilbehør.** Tilbehøret kan give tilbageslag over hånden.
  3. **Placer ikke din krop i det område, hvor maskinværktøjet bevæger sig, hvis der opstår tilbageslag.** Tilbageslag vil slynge maskinen i modsat retning af skivens bevægelse på det sted, hvor den sidder fast.
  4. **Vær ekstra forsigtig, når du arbejder med hjørner, skarpe kanter osv. Undgå, at tilbehøret hopper og bliver fastklemt.** Hjørner, skarpe kanter eller op og ned-bevægelser har en tendens til at fastklemme det roterende tilbehør og forårsage tab af kontrol eller tilbageslag.
  5. **Lad være med at montere en savkæde-træskærklinge, en segmenteret diamantskive med et perifert mellemrum på mere end 10 mm eller en savklinge med tænder.** Sådanne klinger skaber hyppige tilbageslag og tab af kontrol.
- Specifikke sikkerhedsadvarsler for anvendelser med slibning og afskæring:**
1. **Anvend kun skivetyper, som er specificeret til dit maskinværktøj, og den specielle beskyttelsesskærm, som er beregnet til den valgte skive.** Skiver, som maskinværktøjet ikke er designet til, kan ikke beskyttes tilstrækkeligt og er usikre.

2. **Slibefluden på forsænkede centerskiver skal monteres under beskyttelsesskærmkantens flade.** En forkert monteret skive, der går gennem beskyttelsesskærmkantens plan, kan ikke beskyttes tilstrækkeligt.
3. **Beskyttelsesskærmen skal være ordentligt monteret på maskinværktøjet og placeret, så den optimale sikkerhed opnås, således at mindst muligt af skiven vender mod operatøren.** Beskyttelsesskærmen hjælper med at beskytte operatøren mod ødelagte skivefragmenter, utilsigtet kontakt med skiven og gnister, der kan antænde tøjet.
4. **Skiver må kun anvendes til de specificerede opgaver. For eksempel: Slib ikke med siden af afskæringsskiven.** Slibede afskæringsskiver er beregnet til perifer slibning, og sidekræfter, der påføres disse skiver, kan få dem til at gå i stykker.
5. **Anvend altid ubeskadigede skiveflanger, som har den rigtige størrelse og form til den valgte skive.** Korrekte skiveflanger understøtter skiven, hvilket reducerer risikoen for skivebrud. Flanger til afskæringsskiver kan være forskellige fra slibeskiveflanger.
6. **Anvend ikke nedslidte skiver fra større maskiner.** En skive, der er beregnet til større maskiner, er ikke egnet til en mindre maskines højere hastighed og kan sprænge.
7. **Når der anvendes skiver til dobbelt formål, skal der altid anvendes den korrekte beskyttelsesskærm til den anvendelse, som udføres.** Anvendes den korrekte beskyttelsesskærm ikke, vil der muligvis ikke være det ønskede niveau af beskyttelse, hvilket kan medføre alvorlig tilskadekomst.
5. **Understøt paneler eller alle arbejdsemner i overstørrelse for at minimere risikoen for fastklemning af skiven og tilbageslag.** Store arbejdsemner har tendens til at synke under deres egen vægt. Understøtningerne skal placeres under arbejdsemnet nær skærelinjen og nær kanten af arbejdsemnet på begge sider af skiven.
6. **Vær ekstra forsigtig, når du laver et "lommesnit" i eksisterende vægge eller andre blinde områder.** Den fremspringende skive kan skære gas- eller vandrør, elektriske ledninger eller genstande, der kan forårsage tilbageslag.
7. **Forsøg ikke at udføre buet skæring.** Overbelastning af skiven øger belastningen og følsomheden for vridning eller binding af skiven i snittet og muligheden for tilbageslag eller skivebrud, hvilket kan medføre alvorlig tilskadekomst.
8. **Inden anvendelse af en segmenteret diamantskive skal De sørge for, at diamantskiven har et perifert mellemrum mellem segmenterne på 10 mm eller derunder, kun med en negativ rivevinkel.**

#### Specifikke sikkerhedsadvarsler for anvendelser med sandslibning:

1. **Brug sanddiskpapir i den korrekte størrelse.** Følg producentens anbefalinger, når du vælger sandpapir. Større sandpapir, der strækker sig for langt ud over slibepuden, udgør en risiko for flænger og kan forårsage fastklemning, rivning af disken eller tilbageslag.

#### Specifikke sikkerhedsadvarsler for anvendelser med trådbørstning:

1. **Vær opmærksom på, at trådbørstehårene afstødes fra børsten selv under almindelig anvendelse.** Overbelast ikke trådbørstehårene ved at påføre børsten for stor belastning. Trådbørstehårene kan let trænge igennem tyndt tøj og/eller hud.
2. **Hvis anvendelse af en beskyttelsesskærm ved trådbørstning er angivet, må man ikke tillade interferens af trådskiven eller børsten med beskyttelsesskærmen.** Trådskiven eller børsten kan uvides i diameter på grund af arbejdsbelastning og centrifugalkræfter.

#### Supplerende sikkerhedsadvarsler:

#### Yderligere sikkerhedsadvarsler, der er specifikke for anvendelser med afskæring:

1. **Vær påpasselig med ikke at "klemme" afskæringsskiven fast eller udsætte den for et ekstremt tryk.** Forsøg ikke at lave en for stor skæredybde. Overbelastning af skiven øger belastningen og følsomheden for vridning eller binding af skiven i snittet og muligheden for tilbageslag eller skivebrud.
2. **Stå ikke på linje med eller bag den roterende skive.** Når skiven, på anvendelsesstedet, bevæger sig væk fra kroppen, kan det mulige tilbageslag slynge den roterende skive og maskinen direkte mod dig.
3. **Hvis skiven sidder fast, eller hvis du af en eller anden grund afbryder et snit, skal du slukke for maskinen og holde den stille, indtil skiven er stoppet helt.** Forsøg aldrig at fjerne afskæringsskiven fra skæringen, mens skiven er i bevægelse, da der ellers kan forekomme tilbageslag. Undersøg og træf korrigerende foranstaltninger for at fjerne årsagen til skivebinding.
4. **Lad være med at starte skæringen i arbejdsemnet. Lad skiven nå fuld hastighed, og gå forsigtigt ind i skæringen igen.** Skiven kan binde, presses op eller slå tilbage, hvis maskinen genstartes i arbejdsemnet.
5. **Inden De begynder at anvende maskinen på et rigtigt arbejdsemne, skal De lade den køre i et stykke tid.** Vær opmærksom på vibrationer eller slør, som kan være tegn på dårlig monteringer eller en forkert afbalanceret skive.

6. Anvend den specificerede overflade på skiven til at udføre slibningen.
7. Læg ikke maskinen fra Dem, mens den stadig kører. Anvend kun maskinen som håndværktøj.
8. Berør ikke arbejdsområdet lige efter at arbejdet er udført. Det kan blive meget varmt og være årsag til forbrændinger.
9. Undgå at berøre tilbehør umiddelbart efter arbejdets ophør. Det kan være meget varmt og kan forårsage forbrændinger af huden.
10. Følg producentens anvisninger for korrekt montering og brug af hjul og tilbehør. Forkert montering og brug kan medføre personskaade.
11. Håndtør og opbevar hjulene med forsigtighed.
12. Anvend ikke separate reduktionsbøsninger eller adaptere til at tilpasse slibeskiver med store centerhuller til maskinen.
13. Anvend kun de specificerede flanger til denne maskine.
14. Ved anvendelse af maskiner, der er beregnet til montering af slibeskiver med gevindforsynet hul, skal det altid sikres, at gevindet i skiven er langt nok i forhold til spindellængden.
15. Kontrollér at emnet er korrekt understøttet.
16. Forsigtig! Skiven fortsætter med at rotere, efter at der slukket for maskinen.
17. Hvis arbejdsstedet er ekstremt varmt eller fugtigt, eller slømt tilslavet med ledende støv, bør der anvendes en kortslutningsafbryder (30 mA) for at garantere sikkerheden under arbejdet.
18. Anvend aldrig maskinen på materialer, der indeholder asbest.
19. Når du anvender afskæringsskiven, skal du altid arbejde med beskyttelsesskærmen til støvopsamling, hvis det kræves i henhold til national lovgivning.
20. Skæreskiver må ikke udsættes for tryk fra siden.
21. Anvend ikke stofarbejdshandsker under brugen. Fibre fra stofhandsker kan muligvis trænge ind i maskinen, hvilket forvolder skade på maskinen.
22. Inden betjening skal du sørge for, at der ikke er nogen skjulte genstande som fx elektriske rør, vandrer eller gasrør i arbejdsområdet. Ellers kan det muligvis forårsage et elektrisk stød, en elektrisk lækage eller gaslækage.
23. Hvis der er monteret et underlag til skiven, skal du ikke fjerne det. Diameteren af underlaget skal være større end låsemøtrikken, den udvendige flange og indvendige flange.
24. Inden du monterer en slibeskive skal du altid kontrollere, at underlagsdelen ikke har nogen uregelmæssigheder som fx hakker eller revner.
25. Spænd låsemøtrikken korrekt. Overspænding af skiven kan forårsage brud og utilstrækkelig spænding kan forårsage rystelser.

**⚠ADVARSEL:** LAD IKKE bekvemmelighed eller kendskab til produktet (opnået gennem gentagen brug) forhindre, at sikkerhedsforskrifterne for produktet nøje overholdes. MISBRUG eller for-sømmelse af at følge de i denne brugsvejledning givne sikkerhedsforskrifter kan medføre alvorlig personskaade.

## Vigtige sikkerhedsinstruktioner for akkuen

1. Læs alle instruktioner og advarselmærkater på (1) akku-opladeren, (2) akkuen og (3) produktet, som anvender akku.
2. Adskil eller ændr ikke akkuen. Det kan muligvis resultere i en brand, overdreven varme eller eksplosion.
3. Hold straks op med anvendelsen, hvis brugstiden er blevet stærkt afkortet. Fortsat anvendelse kan resultere i risiko for overophedning, forbrændinger og endog eksplosion.
4. Hvis De har fået elektrolytvæske i øjnene, skal De straks skylle den ud med rent vand og derefter øjeblikkeligt søge lægehjælp. I modsat fald kan De miste synet.
5. Vær påpasselig med ikke at komme til at kortslutte akkuen:
  - (1) Rør ikke ved terminalerne med noget ledende materiale.
  - (2) Undgå at opbevare akkuen i en beholder sammen med andre genstande af metal, for eksempel søm, mønter og lignende.
  - (3) Udsæt ikke akkuen for vand eller regn. Kortslutning af akkuen kan forårsage en kraftig øgning af strømmen, overophedning, mulige forbrændinger og endog værktøjstop.
6. Opbevar og brug ikke maskinen og akkuen på steder, hvor temperaturen muligvis kan nå eller overstige 50 °C.
7. Lad være med at brænde akkuen, selv ikke i tilfælde, hvor den har lidt alvorlig skade eller er fuldstændig udtjent. Akkuen kan eksplodere, hvis man forsøger at brænde den.
8. Slå ikke søm i, skær ikke i, knus, kast, tab ikke akkuen og stød ikke akkuen mod en hård genstand. Sådan adfærd kan muligvis resultere i en brand, overdreven varme eller eksplosion.
9. Anvend ikke en beskadiget akku.
10. De indbyggede litium-ion-batterier er underlagt lovkrav vedrørende farligt gods. Ved kommerciel transport, f.eks. af tredjeparts transportselskaber, skal særlige krav til forpakning og mærkning overholdes. Ved forberedelse af udstyret til forsendelse skal du kontakte en ekspert i farligt gods. Overhold også eventuel mere detaljeret national lovgivning. Tape eller tildæk åbne kontakter, og pak batteriet på en måde, så det ikke kan flytte sig rundt i pakningen.
11. Når akkuen bortskaffes, skal du fjerne den fra maskinen og bortskaffe den på et sikkert sted. Følg de lokale love vedrørende bortskaffelsen af batterier.

**GEM DISSE FORSKRIFTER.**

12. Brug kun batterierne med de produkter, som Makita specificerer. Hvis batterierne installeres i ikke-kompatible produkter, kan det medføre brand, kraftig varme, eksplosion eller udsivning af elektrolyt.
13. Hvis maskinen ikke skal bruges i længere tid ad gangen, skal du fjerne batteriet fra maskinen.
14. Akkuen kan muligvis under og efter brug være varm, hvilket kan forårsage forbrændinger eller lavtemperaturforbrændinger. Vær påpasselig med håndtering af varme akkuer.
15. Rør ikke terminalen på maskinen straks efter brug, da den bliver varm nok til at forårsage forbrændinger.
16. Sørg for, at spåner, støv eller jord ikke sætter sig fast i akkuens terminaler, huller og riller. Det kan forårsage opvarmning, antændelse, sprængning og funktionsfejl i maskinen eller akkuen, hvilket kan medføre forbrændinger eller personskade.
17. Medmindre maskinen understøtter brugen i nærheden af elektriske højspændingsledninger, skal du ikke anvende akkuen i nærheden af elektriske højspændingsledninger. Det kan muligvis medføre funktionsfejl på eller nedbrud af maskinen eller akkuen.
18. Opbevar batteriet utilgængeligt for børn.

## GEM DENNE BRUGSANVISNING.

**⚠FORSIGTIG:** Brug kun originale batterier fra Makita. Brug af uoriginale Makita-batterier, eller batterier som er blevet ændret, kan muligvis medføre brud på batteriet, hvilket kan forårsage brand, personskade eller beskadigelse. Det ugyldiggør også Makita-garantien for Makita-maskinen og opladeren.

## Tips til opnåelse af maksimal akku-levetid

1. Oplad akkuen, inden den er helt afladet. Stop altid værktøjet, og oplad akkuen, hvis De bemærker, at værktøjeffekten er aftagende.
2. Genoplad aldrig en fuldt opladet akku. Overopladning vil afforte akkuens levetid.
3. Oplad akkuen ved stuetemperatur ved 10 °C - 40 °C. Lad altid en varm akku få tid til at køle af, inden den oplades.
4. Når du ikke anvender akkuen, skal du fjerne den fra maskinen eller opladeren.
5. Oplad akkuen, hvis De ikke skal bruge den i længere tid (mere end seks måneder).

## FUNKTIONSBESKRIVELSE

**⚠ADVARSEL:** Sørg altid for at maskinen er slukket, og at akkuen er taget ud, før der udføres justering eller kontrol af funktioner på maskinen.

### Isætning eller fjernelse af akkuen

**⚠FORSIGTIG:** Sluk altid for værktøjet, før De monterer eller fjerner akkuen.

**⚠FORSIGTIG:** Hold værktøjet og akkuen fast ved montering eller fjernelse af akkuen. Hvis De ikke holder værktøjet og akkuen fast, kan de glide ud af hænderne på Dem og forårsage beskadigelse af værktøjet og akkuen eller personskade.

► Fig.1: 1. Rød indikator 2. Knap 3. Akku

Akkuen fjernes ved, at De trækker den ud af værktøjet, idet De skyder knappen på forsiden af akkuen i stilling.

For at montere akkuen skal du justere tungen på akkuen med rillen i huset og skubbe den på plads. Indsæt den hele vejen, indtil den låses på plads med et lille klik. Hvis du kan se den røde indikator, som vist i figuren, er den ikke helt låst.

**⚠FORSIGTIG:** Monter altid akkuen helt, indtil den røde indikator ikke længere er synlig. Hvis dette ikke gøres, kan den falde ud af værktøjet ved et uheld, hvorved De selv eller personer i nærheden kan komme til skade.

**⚠FORSIGTIG:** Brug ikke magt ved montering af akkuen. Hvis akkuen ikke glider på plads uden problemer, betyder det, at den ikke sættes i på korrekt vis.

### Indikation af den resterende batteriladning

Tryk på kontrolknappen på akkuen for at få vist den resterende batteriladning. Indikatorlampen lyser i nogle sekunder.

► Fig.2: 1. Indikatorlamper 2. Kontrolknap

Indikatorlamper			Resterende ladning
Tændt	Slukket	Blinker	
■ ■ ■ ■			75% til 100%
■ ■ ■ □			50% til 75%
■ ■ □ □			25% til 50%
■ □ □ □			0% til 25%
▬ □ □ □			Genoplad batteriet.
■ ■ □ □			Der er muligvis fejl i batteriet.
□ □ ■ ■			

**BEMÆRK:** Afhængigt af brugsforholdene og den omgivende temperatur kan indikationen afvige en smule fra den faktiske ladning.

**BEMÆRK:** Den første indikatorlampe (længst mod venstre) vil blinke, når batteribeskyttelsessystemet aktiveres.

## Beskyttelsessystem til værktøj/batteri

Maskinen er udstyret med et beskyttelsessystem til maskinen/batteriet. Dette system afbryder automatisk strømmen til motoren for at forlænge maskinens og batteriets levetid. Maskinen stopper automatisk under brugen, hvis maskinen eller batteriet udsættes for et af følgende forhold:

### Overbelastningsbeskyttelse

Hvis maskinen/batteriet bruges på en måde, der får den til at trække en unormalt høj strøm, stopper maskinen automatisk uden indikation. Sluk i så fald for maskinen, og stop den anvendelse, der medførte overbelastningen af maskinen. Tænd derefter for maskinen for at starte igen.

### Beskyttelse mod overophedning

Hvis maskinen/batteriet er overophedet, stopper maskinen automatisk. Lad maskinen køle af, inden du tænder for maskinen igen.

### Beskyttelse mod overafledning

Når batteriladningen er utilstrækkelig, stopper maskinen automatisk. Tag i så fald akkuen ud af maskinen, og oplad akkuen.

### Frigørelse af beskyttelseslåsen

Når beskyttelsessystemet aktiveres gentagne gange, låses maskinen.

I så fald starter maskinen ikke, selv om der tændes og slukkes for maskinen. For at frigøre beskyttelseslåsen skal du fjerne akkuen, sætte den i batteriopladeren og vente, indtil opladningen er fuldført.

### Beskyttelse mod andre årsager

Beskyttelsessystemet er også designet til andre årsager, der kan beskadige maskinen og gør det muligt for maskinen at stoppe automatisk. Træf alle følgende foranstaltninger for at fjerne årsagerne, når maskinen midlertidigt er blevet bragt til standsning eller stoppet i drift.

1. Sluk for maskinen, og tænd den igen for at genstarte.
2. Oplad batteriet/batterierne eller udskift det/dem med genopladet/genopladede batteri/batterier.
3. Lad maskinen og batteriet/batterierne køle af.

Hvis der ikke kan findes nogen forbedring ved at gen-danne beskyttelsessystemet, skal det lokale Makita-servicecenter kontaktes.

## Aksellås

**⚠ ADVARSEL:** Aktiver aldrig aksellåsen, når spindlen bevæger sig. Det kan forårsage alvorlig tilskadekomst eller maskinskade.

Tryk på aksellåsen for at forhindre, at spindlen roterer, når tilbehør monteres eller afmonteres.

► Fig.3: 1. Aksellås

## Afbryderfunktion

**⚠ FORSIGTIG:** Før akkuen sættes i maskinen, skal man altid sikre sig, at afbryderhåndtaget fungerer korrekt, og at det springer tilbage i "OFF"-positionen, når det slippes.

**⚠ FORSIGTIG:** Af hensyn til din sikkerhed er maskinen forsynet med et aflåsehåndtag, der forhindrer, at maskinen starter ved et uheld. Brug ALDRIG maskinen, hvis den kører, når du blot trykker på afbryderhåndtaget uden at trække aflåsehåndtaget. Returner maskinen til vores autoriserede servicecenter til korrekt reparation, FØR den benyttes igen.

**⚠ FORSIGTIG:** Træk ikke hårdt i afbryderhåndtaget uden at trække i aflåsehåndtaget. Dette kan forårsage beskadigelse af afbryderen.

**⚠ FORSIGTIG:** Brug ALDRIG tape til at fastgøre aflåsehåndtaget eller på anden måde omgå dets formål og funktion.

For at forhindre utilsigtet indtrykning af afbryderhåndtaget er maskinen udstyret med et aflåsehåndtag. For at starte maskinen skal man trække aflåsehåndtaget mod operatøren og derefter trække i afbryderhåndtaget.

For at stoppe maskinen slippes afbryderhåndtaget.

► Fig.4: 1. Aflåsehåndtag 2. Afbryderhåndtag

## Funktion til forhindring af utilsigtet genstart

Maskinen starter ikke, når akkuen sættes i, mens kontakten er slået TIL.

For at starte maskinen skal du slukke for kontakten og tænde den igen.

## Teknologi til aktiv registrering af feedback

Maskinen registrerer elektronisk situationer, hvor skiven eller tilbehøret kan risikere at binde. I så fald slukkes der automatisk for maskinen for at forhindre spindlen i at rotere yderligere (det forhindrer ikke tilbageslag). For at genstarte maskinen skal man først slukke for maskinen, eliminere årsagen til det pludselige fald i rotationshastighed og derefter tænde for maskinen.

## Funktion for blød start

Funktionen for blød start reducerer startreaktionen.

## Elektrisk bremse

Den elektriske bremse aktiveres, når der slukkes for maskinen. Bremsen fungerer ikke, når strømforsyningen afbrydes, for eksempel hvis akkuen fjernes ved en fejltagelse, mens kontakten stadig er til.

## SAMLING

**⚠ ADVARSEL:** Sørg altid for at maskinen er slukket, og at akkuen er taget ud, før der udføres justering eller kontrol af funktioner på maskinen.

## Montering af sidehåndtag

**⚠ FORSIGTIG:** Sørg altid for, at sidehåndtaget er ordentligt monteret inden brugen.

Skrue sidehåndtaget ordentligt på maskinen på det på illustrationen viste sted.

► Fig.5

## Montering eller afmontering af beskyttelsesskærm

**⚠ ADVARSEL:** Ved brug af en forsænket centerskive, bladdisk, flex-skive eller trådskivebørste skal beskyttelsesskærmen monteres på maskinen, så den lukkede side af skærmen altid vender mod operatøren.

**⚠ ADVARSEL:** Kontroller at beskyttelsesskærmen er låst ordentligt fast vha. låsearmen med et af hullerne i beskyttelsesskærmen.

**⚠ ADVARSEL:** Ved brug af en slibende afskæringsskive / diamantskive skal man sørge for kun at anvende den særlige beskyttelsesskærm, der er beregnet til brug med afskæringsskiver.

## Til forsænket centerskive, bladdisk, flex-skive, trådskivebørste / slibende afskæringsskive, diamantskive

1. Mens du trykker på låsearmen, skal du montere beskyttelsesskærmen, så fremspringene på beskyttelsesskærmen er ud for indhakkene på kuglelejeboksen.

► Fig.6: 1. Låsearm 2. Indhak 3. Fremspring

2. Mens du trykker låsearmen mod A, skal du holde ned på delene B på beskyttelsesskærmen som vist på figuren.

► Fig.7: 1. Beskyttelsesskærm 2. Hul

**BEMÆRK:** Tryk beskyttelsesskærmen lige ned. Ellers kan du ikke fastgøre beskyttelsesskærmen.

3. Mens du trykker på låsearmen mod A, skal du dreje beskyttelsesskærmen mod C og derefter ændre vinklen på beskyttelsesskærmen i overensstemmelse med arbejdet, så operatøren kan blive beskyttet. Ret låsearmen ind med et af hullerne i beskyttelsesskærmen og slip derefter låsearmen for at låse beskyttelsesskærmen.

► Fig.8: 1. Beskyttelsesskærm 2. Hul

Følg fremgangsmåden til montage i modsat rækkefølge for at afmontere beskyttelsesskærmen.

## Clip-on-tilbehør til beskyttelsesskærm til skæring

### Ekstraudstyr

**BEMÆRK:** Til afskærningsbetjening kan der anvendes et clip-on-tilbehør til beskyttelsesskærm til skæring sammen med beskyttelsesskærmen (til slibeskive).

Ikke til rådighed i visse lande.

► Fig.9

## Montering eller afmontering af forsænket centerskive eller bladdisk

### Ekstraudstyr

**⚠ ADVARSEL:** Når en forsænket centerskive eller bladdisk anvendes, skal beskyttelsesskærmen sættes på maskinen, så den lukkede side af skærmen altid er rettet mod operatøren.

**⚠ ADVARSEL:** Sørg for, at monteringsdelen af den indvendige flange passer perfekt ind i den indvendige diameter på den forsænkede centerskive / bladdisken. Monteres den indvendige flange på den forkerte side, kan det medføre farlig vibration.

Monter den indvendige flange på spindlen.

Sørg for, at anbringe den bulende del af den indvendige flange på den lige del nederst på spindlen.

Anbring den forsænkede centerskive / bladdisken på den indvendige flange og skru låsemøtrikken på spindlen.

► Fig.10: 1. Låsemøtrik 2. Forsænket centerskive 3. Indvendig flange 4. Monteringsdel

Låsemøtrikken strammes ved at man trykker fast på aksellåsen, så spindlen ikke kan dreje, og derefter anvender låsemøtriknøglen til at stramme godt til i retningen med uret.

► Fig.11: 1. Låsemøtriknøgle 2. Aksellås

Gå frem i modsat rækkefølge af monteringsproceduren, når skiven skal tages af.

## Montering og afmontering af flex-skive

### Ekstraudstyr

**⚠ ADVARSEL:** Brug altid den medfølgende beskyttelsesskærm, når flex-skiven er monteret på maskinen. Skiven kan brække under brugen, og beskyttelsesskærmen bidrager til at reducere risikoen for tilskadekomst.

► Fig.12: 1. Låsemøtrik 2. Flex-skive 3. Bagskive 4. Indvendig flange

Følg instruktionerne for den forsænkede centerskive, men brug også bagskiven over skiven.

## Montering og afmontering af slibedisk

### Ekstraudstyr

**BEMÆRK:** Brug sandslibetilbehør, som er specificeret i denne brugsanvisning. Dette skal anskaffes separat.

### Til 100 mm (4")-modellen

► **Fig.13:** 1. Sandslibelåsemøtrik 2. Slibedisk  
3. Gummipude 4. Indvendig flange

1. Monter den indvendige flange på spindlen.
2. Monter gummipuden på spindlen.
3. Monter disken på gummipuden og skru sandslibelåsemøtrikken på spindlen.
4. Hold spindlen med aksellåsen og spænd sandslibelåsemøtrikken ordentligt til i urets retning med låsemøtriknøglen.

Følg fremgangsmåden til montering i modsat rækkefølge for at afmontere disken.

### Til andre modeller end 100 mm (4")

► **Fig.14:** 1. Sandslibelåsemøtrik 2. Slibedisk  
3. Gummipude

1. Monter gummipuden på spindlen.
2. Monter disken på gummipuden og skru sandslibelåsemøtrikken på spindlen.
3. Hold spindlen med aksellåsen og spænd sandslibelåsemøtrikken ordentligt til i urets retning med låsemøtriknøglen.

Følg fremgangsmåden til montering i modsat rækkefølge for at afmontere disken.

## Montering eller fjernelse af Ezynut

### Ekstraudstyr

#### Kun for maskiner med M14-spindelgevind.

Monter den indvendige flange, slibeskiven og Ezynut på spindlen, så Makita-logoet på Ezynut vender udad.

► **Fig.15:** 1. Ezynut 2. Slibeskive 3. Indvendig flange  
4. Spindel

Tryk fast på aksellåsen, og stram Ezynut ved at dreje slibeskiven i retningen med uret, så langt som den kan komme.

► **Fig.16:** 1. Aksellås

Hvis du vil løsne Ezynut, skal du dreje den udvendige ring på Ezynut i retningen mod uret.

**BEMÆRK:** Ezynut kan løsnes i hånden, så længe pilen peger mod hakket. Ellers skal der bruges en låsemøtriknøgle til at løsne den. Sæt en stift på nøglen i hullet, og drej Ezynut i retningen mod uret.

► **Fig.17:** 1. Pil 2. Hak

► **Fig.18**

## Montering af slibende afskæringsskive / diamantskive

### Ekstraudstyr

**⚠ADVARSEL:** Ved brug af en slibende afskæringsskive / diamantskive skal man sørge for kun at anvende den særlige beskyttelseskærm, der er beregnet til brug med afskæringsskiver.

**⚠ADVARSEL:** Anvend ALDRIG en afskæringsskive til sideslibning.

**⚠FORSIGTIG:** Når du monterer diamantskiven, skal du sørge for at justere pilens retning på hjulet med pilen på maskinen.

► **Fig.19:** 1. Låsemøtrik 2. Slibende afskæringsskive / diamantskive 3. Indvendig flange  
4. Beskyttelseskærm til slibende afskæringsskive / diamantskive

Med hensyn til monteringen skal instruktionerne for forsænkede centerskiver følges. Retningen for montering af låsemøtrikken og den indvendige flange afhænger af skivetyper og -tykkelsen. Se de følgende figurer.

### Til 100 mm (4")-modellen

Når den slibende afskæringsskive monteres:

► **Fig.20:** 1. Låsemøtrik 2. Slibende afskæringsskive (tyndere end 4 mm (5/32")) 3. Slibende afskæringsskive (4 mm (5/32") eller tykkere) 4. Indvendig flange

Når diamantskiven monteres:

► **Fig.21:** 1. Låsemøtrik 2. Diamantskive (tyndere end 4 mm (5/32")) 3. Diamantskive (4 mm (5/32") eller tykkere) 4. Indvendig flange

### Til andre modeller end 100 mm (4")

Når den slibende afskæringsskive monteres:

► **Fig.22:** 1. Låsemøtrik 2. Slibende afskæringsskive (tyndere end 4 mm (5/32")) 3. Slibende afskæringsskive (4 mm (5/32") eller tykkere) 4. Indvendig flange

Når diamantskiven monteres:

► **Fig.23:** 1. Låsemøtrik 2. Diamantskive (tyndere end 4 mm (5/32")) 3. Diamantskive (4 mm (5/32") eller tykkere) 4. Indvendig flange

## Montering af trådkopbørste

### Ekstraudstyr

**⚠FORSIGTIG:** Undlad at anvende en trådkopbørste, der er beskadiget eller ude af balance. Anvendelsen af en beskadiget trådkopbørste kan øge risikoen for personskade ved kontakt med knækkede børstetråde.

Placer maskinen på hovedet for at få nem adgang til spindlen.

Fjern alt ekstraudstyr på spindlen. Monter trådkopbørsten på spindlen og stram til med den medfølgende nøgle.

► **Fig.24:** 1. Trådkopbørste

## Montering af trådskeivebørste

### Ekstraudstyr

**⚠FORSIGTIG:** Anvend ikke en trådskeivebørste, som er beskadiget, eller som ikke er i balance. Anvendelse af en beskadiget trådskeivebørste kan øge risikoen for tilskadekomst forårsaget af kontakt med ødelagte tråde.

**⚠FORSIGTIG:** Anvend **ALTID** en beskyttelseskærm med trådskeivebørster, og **sørg for, at skivens diameter passer inden i beskyttelseskærmen**. Skiven kan brække under brugen, og beskyttelseskærmen bidrager til at reducere risikoen for tilskadekomst.

Placer maskinen på hovedet for at få nem adgang til spindlen.  
Fjern alt ekstraudstyr på spindlen. Sæt trådskeivebørsten på spindlen og stram med nøglerne.  
► **Fig.25:** 1. Trådskeivebørste

## Montering af hulskærer

### Ekstraudstyr

Placer maskinen på hovedet for at få nem adgang til spindlen.  
Fjern alt tilbehør på spindlen. Skru hulskæreren på spindlen og stram den med den medfølgende skrueoggle.  
► **Fig.26:** 1. Hulskærer

## Montering af beskyttelseskærm til støvopsamling til slibning

Kun for model GA049G / GA050G

### Ekstraudstyr

Med ekstraudstyr kan du bruge denne maskine til afhøvling af betonoverflader.

**⚠FORSIGTIG:** Beskyttelseskærmen til støvopsamling til diamantkopskiven er kun beregnet til brug ved afhøvling af betonoverflader med en diamantkopskive. Brug ikke denne skærm sammen med noget andet skærende tilbehør eller til noget andet formål.

**⚠FORSIGTIG:** Kontroller før brugen, at der er sluttet en støvsuger til maskinen, og at den er tændt.

Placer maskinen på hovedet og monter beskyttelseskærmen til støvopsamling.  
Monter den indvendige flange på spindlen.  
Monter diamantskiven af koptypen på den indvendige flange, og stram låsemøtrikken på spindlen.  
► **Fig.27:** 1. Låsemøtrik 2. Diamantskive af koptypen 3. Navformet diamantskive af koptypen 4. Indvendig flange 5. Beskyttelseskærm til støvopsamling 6. Kuglelejoboks

**BEMÆRK:** Oplysninger om, hvordan beskyttelseskærmen til støvopsamling monteres, finder du i manualen til beskyttelseskærmen til støvopsamling.

## Montering af beskyttelseskærm til støvopsamling til afskæring

Kun for model GA048G / GA049G / GA050G

### Ekstraudstyr

Med ekstraudstyr kan du bruge denne maskine til skæring af stenmaterialer.

► **Fig.28**

**BEMÆRK:** Oplysninger om, hvordan beskyttelseskærmen til støvopsamling monteres, finder du i manualen til beskyttelseskærmen til støvopsamling.

## ANVENDELSE

**⚠ADVARSEL:** Det bør aldrig være nødvendigt at anvende magt på maskinen. Maskinens egen vægt sørger for det nødvendige tryk. Tvang og ekstremt tryk kan medføre farlige brud på skiven.

**⚠ADVARSEL:** Skift **ALTID** skiven ud, hvis maskinen tabes under slibning.

**⚠ADVARSEL:** Stød eller slå **ALDRIG** skiven mod arbejdsemnet.

**⚠ADVARSEL:** Undgå at støde og vride skiven, især ved arbejde på hjørner, skarpe kanter osv. Det kan medføre tab af kontrol og tilbageslag.

**⚠ADVARSEL:** Anvend **ALDRIG** maskinen med klinger, der er beregnet til skæring i træ, og andre savklinger. Hvis sådanne klinger anvendes på en sliber, bliver resultatet ofte tilbageslag og tab af kontrol, hvilket kan føre til tilskadekomst.

**⚠FORSIGTIG:** Tænd aldrig for maskinen, mens den er i kontakt med arbejdsemnet. Operatøren kan i så fald komme til skade.

**⚠FORSIGTIG:** Bær altid beskyttelsesbriller eller ansigtsskærm under brugen.

**⚠FORSIGTIG:** Efter brugen skal man altid slukke for maskinen og vente, indtil skiven er stoppet helt, inden man lægger maskinen fra sig.

**⚠FORSIGTIG:** Hold **ALTID** godt fast i maskinen med den ene hånd på maskinhuset og den anden på sidehåndtaget.

**BEMÆRK:** Der kan anvendes en skive til dobbelt formål til både slibning og afskæring.

Se "Slibning og sandslibning" angående slibning og se "Anvendelse med slibende afskæringsskive/diamantskive" angående afskæring.

## Slibning og sandslibning

### ► Fig.29

Start maskinen og anbring derefter skiven eller disken på arbejdsområdet.  
Generelt skal kanten på skiven eller disken holdes i en vinkel på ca. 15° mod arbejdsområdets overflade.  
I det tidsrum, hvor en ny skive indkøres, må man ikke arbejde med sliberen i forlæns retning, da dette muligvis vil bevirke, at den skærer ind i arbejdsområdet. Når først et stykke tids anvendelse har rundet kanten af skiven af, kan den anvendes i både forlæns og baglæns retning.

**Eksempel på anvendelse: anvendelse med diamantskive af koptypen**

### ► Fig.30

Hold maskinen vandret og placer hele diamantskiven af koptypen på arbejdsområdets overflade.

## Anvendelse med slibende afskæringsskive / diamantskive

### Ekstraudstyr

**⚠ ADVARSEL:** Vær påpasselig med ikke at "klemme" skiven eller udsætte den for ekstremt tryk. Forsøg ikke at lave et snit af ekstremt dybde. Et for stort pres på skiven vil øge belastningen og risikoen for at skiven vrider eller binder i snittet samt risikoen for tilbageslag, brud på skiven og overophedning af motoren.

**⚠ ADVARSEL:** Begynd ikke skæringen i arbejdsområdet. Lad skiven komme op på fuld hastighed og gå omhyggeligt ind i snittet, idet maskinen bevæges fremad over arbejdsområdets overflade. Skiven kan binde, presses op eller give tilbageslag, hvis maskinen startes i arbejdsområdet.

**⚠ ADVARSEL:** Under skæring må man aldrig ændre skivens vinkel. Hvis man øver sidelæns tryk på afskæringsskiven (som ved slibning), vil det bevirke, at skiven revner eller brækker med alvorlig tilskadekomst til følge.

**⚠ ADVARSEL:** En diamantskive skal anvendes vinkelret på det materiale, der skæres i.

**Eksempel på anvendelse: anvendelse med slibende afskæringsskive**

### ► Fig.31

**Eksempel på anvendelse: anvendelse med diamantskive**

### ► Fig.32

## Anvendelse med trådkopbørste

### Ekstraudstyr

**⚠ FORSIGTIG:** Kontrollér, at trådkopbørsten fungerer ved at lade maskinen køre uden belastning, og sørg for, at der ikke befinder sig nogen omkringstående foran eller på linje med trådkopbørsten.

**BEMÆRKNING:** Undgå, at udøve et for stort tryk, som medfører overbøjning af tråde, når trådkopbørsten anvendes. Det kan muligvis medføre for tidligt brud.

**Eksempel på anvendelse: anvendelse med trådkopbørste**

### ► Fig.33

## Anvendelse med trådkivebørste

### Ekstraudstyr

**⚠ FORSIGTIG:** Kontroller trådkivebørstens funktion ved at køre maskinen uden belastning, og sørg for, at der ikke befinder sig nogen personer foran eller i forlængelse af børsten.

**BEMÆRKNING:** Undgå, når trådkivebørsten anvendes, at udøve et for stort tryk, som medfører overbøjning af tråde. Det kan muligvis medføre for tidligt brud.

**Eksempel på anvendelse: anvendelse med trådkivebørste**

### ► Fig.34

## Anvendelse med hulskærer

### Ekstraudstyr

**⚠ FORSIGTIG:** Kontroller anvendelsen af hulskæreren ved at køre maskinen uden belastning, og sørg for, at der ikke befinder sig personer foran hulskæreren.

**BEMÆRKNING:** Vip ikke maskinen under anvendelsen. Det kan muligvis medføre for tidligt brud.

**Eksempel på anvendelse: anvendelse med hulskærer**

### ► Fig.35

## VEDLIGEHOOLDELSE

**⚠ ADVARSEL:** Vær altid sikker på, at værktøjet er slukket, og at akkuen er taget ud, inden De begynder på at udføre inspektion eller vedligeholdelse.

**BEMÆRKNING:** Anvend aldrig benzin, rensebenzin, fortynder, alkohol og lignende. Det kan medføre misfarvning, deformation eller revner.

For at opretholde produktets SIKKERHED og PÅLIDELIGHED må reparation, vedligeholdelse eller justering kun udføres af et autoriseret Makita servicecenter eller fabrikkervicecenter med anvendelse af Makita reservedele.

## Rengøring af ventilationsåbninger

Maskinen og dens ventilationsåbninger skal altid holdes rene. Rengør maskinens ventilationsåbninger med jævne mellemrum eller når ventilationsåbningerne begynder at blive tilstoppede.

► Fig.36: 1. Udstødningsåbning 2. Indsugningsåbning

Fjern støvdækslet fra indsugningsåbningen, og rengør det for uhindret luftcirkulation.

► Fig.37: 1. Støvdæksel

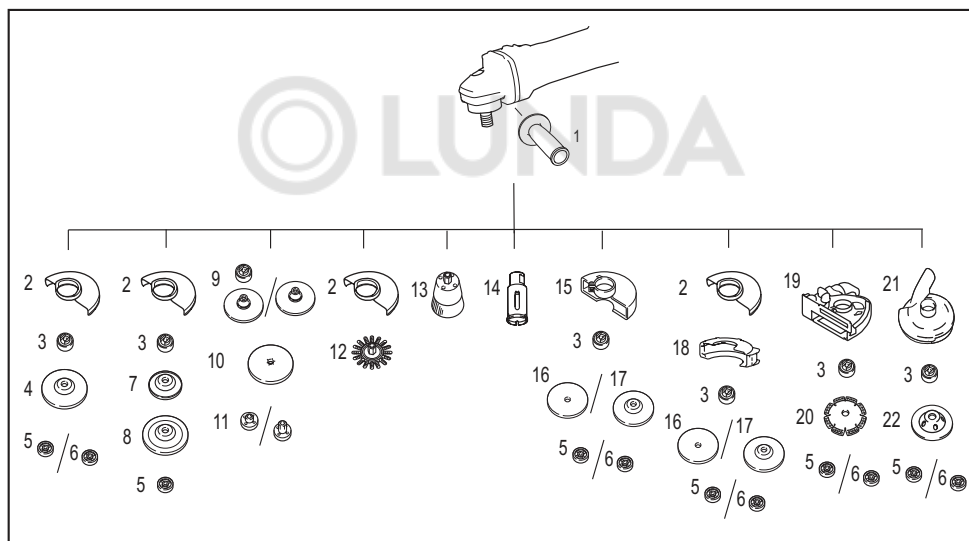
**BEMÆRKNING:** Rengør støvdækslet, når det er tilstoppet med støv eller fremmedlegemer. Fortsat brug med et tilstoppet støvdæksel kan beskadige maskinen.

# KOMBINATION AF ANVENDELSER OG TILBEHØR

## Ekstraudstyr

**⚠ FORSIGTIG:** Brug af maskinen med forkerte skærme kan forårsage risici som følger.

- Når der anvendes en skærm til afskæringsskive til overfladeslibning, kan beskyttelsesskærmen muligvis påvirke arbejdsemnet og forårsage dårlig kontrol.
- Når der anvendes en beskyttelsesskærm til slibning til afskæring med limede slibeskiver og diamantskiver, er der en forøget risiko for eksponering for roterende skiver, udsendte gnister og partikler, såvel som eksponering for skivefragmenter i tilfælde af skivebrud.
- Når der anvendes en skærm til afskæringsskive eller beskyttelsesskærm til slibning til overfladeopgaver med diamantskiver af koptypen, kan beskyttelsesskærmen muligvis påvirke arbejdsemnet og forårsage dårlig kontrol.
- Når der anvendes en skærm til afskæringsskive eller beskyttelsesskærm til slibning med en trådbørste af skivetyper med en tykkelse, som overstiger den maksimale tykkelse, der er angivet i "SPECIFIKATIONER", kan trådene muligvis sætte sig fast i skærmen og medføre afbrydning af tråde.
- Brug af beskyttelsesskærme til støvopsamling til afskærings- og overfladeopgaver i beton eller murværk reducerer risikoen for eksponering for støv.
- Når der anvendes flangemonterede skiver med dobbelt formål (kombineret slibning og slibefskæring), skal der kun anvendes en skærm til afskæringsskive.



-	Anvendelse	100 mm model	115 mm model	125 mm model	150 mm model
1	-	Sidehåndtag			
2	-	Beskyttelsesskærm (til slibeskive)			
3	-	Indvendig flange			
4	Slibning/ sandslibning	Forsænket centerskive / bladdisk			
5	-	Låsemøtrik			
6	-	-	Ezynut *1		
7	-	Bagskive			
8	Slibning	Flex-skive			
9	-	Indvendig flange og gummipude 76	Gummipude 100	Gummipude 115	Gummipude 125
10	Sandslibning	Slibedisk			
11	-	Sandslibelåsemøtrik			
12	Trådbørstning	Trådslibebørste			

-	Anvendelse	100 mm model	115 mm model	125 mm model	150 mm model
13	Trådbørstning	Trådkopbørste			
14	Hulskæring	Hulskærer			
15	-	Beskyttelsesskærm (til afskæringsskive)			
16	Afskæring	Slibende afskæringsskive / diamantskive			
17	Slibning/afskæring	Skive til dobbelt formål			-
18	-	Clip-on-tilbehør til beskyttelsesskærm til skæring *2			
19	-	Beskyttelsesskærm til støvopsamling til afskæring *3			-
20	Afskæring	Diamantskive			-
21	-	-	Beskyttelsesskærm til støvopsamling til slibning *4		-
22	Slibning	-	Diamantskive af koptypen *4		-
-	-	Låsemøtriknøgle			

**BEMÆRK:** \*1 Kun for maskiner med M14-spindelgevind.

**BEMÆRK:** \*2 Clip-on-tilbehør til beskyttelsesskærm til skæring er ikke til rådighed i visse lande. Se i brugsanvisningen til clip-on-tilbehøret til beskyttelsesskærm til skæring for flere detaljer.

**BEMÆRK:** \*3 Kun for model GA048G / GA049G / GA050G

For yderligere oplysninger henvises til hver enkelt brugsanvisning til skærmen.

**BEMÆRK:** \*4 Kun for model GA049G / GA050G

For yderligere oplysninger henvises til hver enkelt brugsanvisning til skærmen.

## EKSTRAUDSTYR

**⚠️FORSIGTIG:** Det følgende tilbehør og ekstraudstyr er anbefalet til brug med Deres Makita maskine, der er beskrevet i denne brugsanvisning. Anvendelse af andet tilbehør eller ekstraudstyr kan udgøre en risiko for personskade. Anvend kun tilbehør og ekstraudstyr til det beskrevne formål.

Hvis De behøver hjælp ved valg af tilbehør eller ønsker yderligere informationer, bedes De kontakte Deres lokale Makita servicecenter.

- Original Makita-akku og oplader
- Tilbehør angivet i "KOMBINATION AF ANVENDELSER OG TILBEHØR"

**BEMÆRK:** Nogle ting på denne liste kan være inkluderet i værktøjspakken som standardtilbehør. Det kan være forskellige fra land til land.

## SPECIFIKĀCIJAS

Modelis:		GA048G	GA049G	GA050G	GA051G
Piemērotā slīpriņa	Maks. slīpriņas diametrs	100 mm	115 mm	125 mm	150 mm
	Maks. slīpriņas biezums	6,4 mm	7,2 mm		6,4 mm
Piemērotā griešanas rīpa	Maks. slīpriņas diametrs	105 mm	115 mm	125 mm	150 mm
	Maks. slīpriņas biezums	3,2 mm			3,0 mm
Piemērotā stieplu sukuņa rīpa	Maks. slīpriņas diametrs	100 mm	115 mm	125 mm	
	Maks. slīpriņas biezums	20 mm			
Vārpstas vītne		M10	M14 vai 5/8" (atkarībā no valsts)		
Maks. vārpstas garums		18 mm	23 mm		
Ātrums bez slodzes (n <sub>0</sub> ) / nominālais ātrums (n)		11 000 min <sup>-1</sup>			9 000 min <sup>-1</sup>
Kopējais garums (ar BL4040)		410 mm			
Tīrsvars		2,8–5,2 kg	3,0–5,4 kg		3,1–4,7 kg
Nominālais spriegums		Līdzstrāva 36 V–40 V maks.			

- Nepārtrauktās izpētes un izstrādes programmas dēļ šeit uzrādītās specifikācijas var tikt mainītas bez brīdinājuma.
- Atkarībā no valsts specifikācijas var atšķirties.
- Svārs var būt atšķirīgs atkarībā no papildierīces(-ēm), tostarp akumulatora kasetnes. Tabulā ir attēlota vieglākā un smagākā kombinācija atbilstoši EPTA procedūrai 01/2014.

## Piemērotā akumulatora kasetne un lādētājs

Akumulatora kasetne	BL4020 / BL4025* / BL4040* / BL4050F* / BL4080F *: Ieteicamais akumulators
Lādētājs	DC40RA / DC40RB / DC40RC

- Daži no iepriekš norādītajiem lādētājiem un akumulatora kasetnēm var nebūt pieejami atkarībā no jūsu mītnes reģiona.

**BRĪDINĀJUMS:** Izmantojiet vienīgi iepriekš norādītās akumulatora kasetnes un lādētājus. Cita tipa akumulatora kasetņu un lādētāju izmantošana var radīt traumu un/vai aizdegšanās risku.

## Ieteicamais ar vadu savienojamais barošanas avots

Pārnēsājams barošanas bloks	PDC01 / PDC1200
-----------------------------	-----------------

- Iepriekš norādītais (-ie) ar vadu savienojamais (-ie) barošanas avots (-i) var nebūt pieejams (-i) atkarībā no jūsu mītnes reģiona.
- Pirms izmantojat ar vadu savienojamo barošanas avotu, izlasiet instrukcijas un uz tā redzamos brīdinājumus.

## Simboli

Tālāk ir attēloti simboli, kas var attiekties uz darbarīka lietošanu. Pirms darbarīka izmantošanas pārliecinieties, vai pareizi izprotat to nozīmi.



Izlasiet lietošanas rokasgrāmatu.



Izmantojiet aizsargbrilles.



Vienmēr strādājiet, turot darbarīku ar abām rokām.



Neizmantojiet rīpas aizsargu nozāģēšanas darbībām.



Ni-MH  
Li-ion

Tikai ES valstīm

Tā kā šajā aprīkojumā ir bīstamas sastāvdaļas, elektrisko un elektronisko iekārtu, akumulatoru un bateriju atkritumi var negatīvi ietekmēt apkārtējo vidi un cilvēka veselību.

Elektroierīces, elektroniskās ierīces un akumulatorus nedrīkst izmest kopā ar mājsaimniecības atkritumiem! Saskaņā ar Eiropas direktīvu par elektrisko un elektronisko iekārtu atkritumiem, akumulatoriem un baterijām, kā arī akumulatoru un bateriju atkritumiem un šīs direktīvas pielāgošanu valsts tiesību aktiem elektrisko un elektronisko iekārtu, bateriju un akumulatoru atkritumi ir jāglabā atsevišķi un jānogādā uz sadzīves atkritumu dalītās savākšanas vietu, ievērojot attiecīgos vides aizsardzības noteikumus. Par to liecina uz iekārtas redzams simbols ar pārsvītrotu atkritumu konteineru uz rītiem.

## Paredzētā lietošana

Šis darbarīks ir paredzēts metāla un akmens materiālu slīpēšanai, apstrādei ar stiepli suku, caurumu izgriešanai un griešanai bez ūdens izmantošanas.

## Trokšņa līmenis

Tipiskais A svērtais trokšņa līmenis noteikts saskaņā ar EN62841-2-3:

Modelis	Skaņas spiediena līmenis ( $L_{pA}$ ): (dB(A))	Skaņas jaudas līmeni ( $L_{WA}$ ): (dB(A))	Nenoteiktība (K): (dB(A))
GA048G	84	92	3
GA049G	85	93	3
GA050G	85	93	3
GA051G	85	93	3

**PIEZĪME:** Paziņotā trokšņa emisijas vērtība noteikta atbilstoši standarta pārbaudes metodei, un to var izmantot, lai salīdzinātu vienu darbarīku ar citu.

**PIEZĪME:** Paziņoto trokšņa emisijas vērtību arī var izmantot iedarbības sākotnējā novērtējumā.

**▲BRĪDINĀJUMS:** Lietojiet ausu aizsargus.

**▲BRĪDINĀJUMS:** Trokšņa emisija patiesos darba apstākļos var atšķirties no paziņotās vērtības atkarībā no darbarīka izmantošanas veida un jo īpaši atkarībā no apstrādājamā materiāla veida.

**▲BRĪDINĀJUMS:** Lai aizsargātu lietotāju, nosakiet drošības pasākumus, kas pamatoti ar iedarbību reālos darba apstākļos (ņemot vērā visus ekspluatācijas cikla posmus, piemēram, laiku, kamēr darbarīks ir izslēgts un kad darbojas tukšgaitā, kā arī palaišanas laiku).

**▲BRĪDINĀJUMS:** Plānu metāla plāksņu vai citu viegli vibrējošu materiālu ar lielu virsmu slīpēšana var radīt kopējo trokšņa emisiju, kas ir daudz lielāka (līdz 15 dB) nekā deklarētās trokšņa emisijas vērtības.

Lai novērstu trokšņa emisijas no šādiem apstrādājamajiem materiāliem, izmantojiet smagus, elastīgus slāpējošos pārklājus vai ko tamlīdzīgu.

Ņemiet vērā palielināto trokšņa emisiju, gan novērtējot risku saistībā ar trokšņa iedarbību, gan izvēloties atbilstošus dzirdes aizsarglīdzekļus.

## Vibrācija

Vibrācijas kopējā vērtība (trīsasu vektora summa) noteikta atbilstoši EN62841-2-3:

**Darba režīms: virsmas slīpēšana ar parastu sānu rokturi**

Modelis	Vibrācija ( $a_{h, AG}$ ): (m/s <sup>2</sup> )	Nenoteiktība (K): (m/s <sup>2</sup> )
GA048G	8,2	1,5
GA049G	8,5	1,5
GA050G	8,9	2,2
GA051G	12,1	1,5

**Darba režīms: virsmas slīpēšana ar antivibrācijas sānu rokturi**

Modelis	Vibrācija ( $a_{h, AG}$ ): (m/s <sup>2</sup> )	Nenoteiktība (K): (m/s <sup>2</sup> )
GA048G	7,1	1,5
GA049G	7,7	1,5
GA050G	8,8	1,5
GA051G	12,7	1,6

**Darba režīms: slīpēšana ar disku ar parastu sānu rokturi**

Modelis	Vibrācijas emisija ( $a_{h, DS}$ ): (m/s <sup>2</sup> )	Nenoteiktība (K): (m/s <sup>2</sup> )
GA048G	2,5 m/s <sup>2</sup> vai mazāk	1,5
GA049G	2,8	1,5
GA050G	2,6	1,5
GA051G	3,1	1,5

## Darba režīms: slīpēšana ar disku ar antivibrācijas sānu rokturi

Modelis	Vibrācijas emisija ( $a_{H, DS}$ ) : (m/s <sup>2</sup> )	Nenoteiktība (K): (m/s <sup>2</sup> )
GA048G	2,5 m/s <sup>2</sup> vai mazāk	1,5
GA049G	2,8	1,5
GA050G	2,5	1,5
GA051G	3,5	1,5

**PIEZĪME:** Paziņotā kopējā vibrācijas vērtība noteikta atbilstoši standarta pārbaudes metodei, un to var izmantot, lai salīdzinātu vienu darbarīku ar citu.

**PIEZĪME:** Paziņoto kopējo vibrācijas vērtību arī var izmantot iedarbības sākotnējā novērtējumā.

**▲BRĪDINĀJUMS:** Vibrācijas emisija patiesos darba apstākļos var atšķirties no paziņotās vērtības atkarībā no darbarīka izmantošanas veida un jo īpaši atkarībā no apstrādājamā materiāla veida.

**▲BRĪDINĀJUMS:** Lai aizsargātu lietotāju, nosakiet drošības pasākumus, kas pamatoti ar iedarbību reālos darba apstākļos (ņemot vērā visus ekspluatācijas cikla posmus, piemēram, laiku, kamēr darbarīks ir izslēgts un kad darbojas tukšgaitā, kā arī palaišanas laiku).

**▲BRĪDINĀJUMS:** Paziņoto vibrācijas emisijas vērtību izmanto galvenajām mehanizētā darbarīka darbībām. Taču, ja darbarīku izmanto citām darbībām, vibrācijas emisijas vērtība var būt atšķirīga.

## Atbilstības deklarācijas

### Tikai Eiropas valstīm

Atbilstības deklarācijas šajā lietošanas rokasgrāmatā ir iekļautas kā A pielikums.

## DROŠĪBAS BRĪDINĀJUMI

### Vispārīgi elektrisko darbarīku drošības brīdinājumi

**▲BRĪDINĀJUMS** Izlasiet visus drošības brīdinājumus, norādījumus un tehniskos datus un izpētiet ilustrācijas, kas iekļautas šā elektriskā darbarīka komplektā. Neievērojot visus tālāk minētos noteikumus, iespējams elektriskās strāvas trieciens, aizdegšanās un/vai smagu traumu risks.

### Glabājiet visus brīdinājumus un norādījumus, lai varētu tajos ieskatīties turpmāk.

Termins „elektrisks darbarīks” brīdinājumos attiecas uz tādu elektrisko darbarīku, ko darbina ar elektrību (ar vadu), vai tādu, ko darbina ar akumulatoru (bez vada).

### Drošības brīdinājumi bezvadu slīpmašīnas lietošanai

Drošības brīdinājumi, kas vienādi attiecas uz slīpēšanas, smalkās slīpēšanas, stieplju sukās tīrīšanas vai griešanas darbībām.

1. Šo elektrisko darbarīku paredzēts izmantot slīpēšanai, smalkai slīpēšanai, tīrīšanai ar stieplju suku, caurumu izgriešanai vai griešanai. Izlasiet visus drošības brīdinājumus, norādes un tehniskos datus un izpētiet ilustrācijas, kas iekļautas šā elektriskā darbarīka komplektā. Neievērojot visus tālāk minētos noteikumus, iespējams elektriskās strāvas trieciens, aizdegšanās un/vai smagu traumu risks.

2. Ar šo elektrisko darbarīku nedrīkst veikt tādas darbības kā pulēšana. Tādu darbību veikšana, kam šis elektriskais darbarīks nav paredzēts, var būt bīstama un radīt traumas.
3. Nepārveidojiet šo darbarīku tādu darbību veikšanai, kurām ražotājs to nav konstruējis un konkrēti norādījis. Šāda pārveide var izraisīt kontroles zaudēšanu un radīt smagus ievainojumus.
4. Drīkst lietot tikai darbarīka ražotāja īpaši izgatavotos un norādītos piederumus. Tas vien, ka piederumu var piestiprināt elektriskajam darbarīkam, negarantē drošu lietošanu.
5. Piederuma nominālajam ātrumam jābūt vismaz identiskam ar maksimālo ātrumu, kas atzīmēts uz elektriskā darbarīka. Piederumi, kas griežas ātrāk par nominālo ātrumu, var salūzt un tikt izsviesti.
6. Piederuma ārējam diametram un biežumam jābūt elektriskā darbarīka jaudas robežās. Nepareiza izmēra piederumus nav iespējams pietiekami uzmanīt vai vadīt.
7. Piederuma stiprināšanas izmēram jāatbilst elektriskā darbarīka stiprinājumiem. Piederumi, kas neatbilst elektriskā darbarīka stiprinājumiem, kļūs nestabili, pārmērīgi vibrēs un var izraisīt vadības zaudēšanu.
8. Neizmantojiet bojātu piederumu. Pirms katras lietošanas reizes pārbaudiet, vai piederumos, piemēram, abrazīvajās ripās, nav plaisu, plīsumu, vai atbalsta plāksne nav saplaisājusī, saplēsta vai pārmērīgi nolietota un stieplju sukā nav vaļīgu vai salūzušu stieplju. Ja elektriskais darbarīks vai piederums nokrīt, pārbaudiet, vai tam nav radušies bojājumi, vai arī uzstādiet nebojātu piederumu. Pēc piederuma pārbaudes un uzstādīšanas lietotājam un visiem apkārtējiem jānostājas tā, lai tie nebūtu rotējošā piederuma rotācijas plaknes līnijā, un tad vienu minūti darbiniet elektrisko darbarīku bez slodzes ar maksimālo ātrumu. Bojāti piederumi šādas pārbaudes laikā parasti salūst.

9. **Izmantojiet individuālos aizsarglīdzekļus. Atkarībā no veicamā darba valkājiet sejas aizsargu, aizsargbrilles vai brilles. Ja nepieciešams, valkājiet putekļu masku, ausu aizsargus, cimdus un darba priekšautu, kas aiztur mazas abrazīvas vai materiāla daļiņas.** Acu aizsardzības aprīkojumam jāspēj aizturēt lidojošus grūžus, kas rodas dažādu darbu veikšanas laikā. Putekļu masai vai respiratoram jāaiztur attiecīgās darbības laikā radušās daļiņas. Ilgstoši pakļaujot sevi ļoti intensīvam troksnim, var rasties dzirdes zudums.
10. **Gādājiet, lai apkārtējie atrastos drošā attālumā no darba vietas. Ikvienam, kas atrodas darba zonā, jāizmanto individuālie aizsarglīdzekļi.** Apstrādājamā materiāla vai bojāta piederuma daļiņas var tikt izsviestas un traumēt cilvēkus darba vietas tuvumā.
11. **Veicot darbības, kuru laikā griešanas instruments var pieskarties slēptam vadam, turiet elektrisko darbarīku tikai aiz izolētajām satveršanas virsmām.** Saskaņā ar vadu zem sprieguma var nodot spriegumu elektriskā darbarīka metāla daļām, un operators var saņemt elektriskās strāvas triecienu.
12. **Nekādā gadījumā elektrisko darbarīku nedrīkst nolikt malā, pirms tas nav pavisam apstājies.** Rotējošais piederums var aizķert virsmu un izraut elektrisko darbarīku no rokām.
13. **Elektrisko darbarīku nedrīkst darbināt, kamēr to pārnēsā.** Ja apgērbs nejausi pieskaras rotējošajam piederumam, tas var tikt satverts, iespējot piederumu miesā.
14. **Regulāri tīriet elektriskā darbarīka ventilācijas atveres.** Motora ventilators ievieļ putekļus korpusā, un pārmērīga sīku metāla daļiņu uzkrāšanās var izraisīt elektrosistēmas bojājumus.
15. **Elektrisko darbarīku nedrīkst darbināt ugunsnedrošu materiālu tuvumā.** Dzirktelsteles var aizdedzināt šos materiālus.
16. **Nelietojiet tādus piederumus, kam vajadzīgi dzesēšanas šķidrums.** Lietojot ūdeni vai citus dzesēšanas šķidrums, var gūt nāvējošu elektrottraumu vai elektriskās strāvas triecienu.

#### **Atsitiens un ar to saistīti brīdinājumi**

Atsitiens ir pēkšņa reakcija uz rotējošās ripas, balsta plāksnes, sukas vai kāda cita piederuma iespiešanu vai aizķeršanos. Iespūšana vai aizķeršanās izraisa pēkšņu rotējošā piederuma apstāšanos, kas savukārt saskares brīdī izraisa nevadāmu elektriskā darbarīka grūdienu pretēji tā rotācijas virzienam.

Ja abrazīvā ripa, piemēram, aizķeras vai iesprūst apstrādājamajā materiālā, slīpripas mala, kas nokļūst iesprūšanas vietā, var iespieties materiālā virsmā, liekot slīpripai izrauties vai atlēkt. Slīpripa saskares brīdī var izlēkt operatora virzienā vai prom no viņa atkarībā no slīpripas kustības virziena iespiešanas brīdī. Šādos gadījumos abrazīvās slīpripas var arī salūzt.

Atsitiens rodas darbarīka nepareizas lietošanas un/vai nepareizas darbības vai apstākļu rezultātā, un no tā var izvairīties, veicot piemērotus drošības pasākumus, kā norādīts tālāk.

1. **Cieši turiet darbarīku ar abām rokām un novietojiet ķermeni un rokas tā, lai pretotos atsitienu spēkam. Lai maksimāli kontrolētu atsitienu vai griezes momentu iedarbināšanas laikā, vienmēr lietojiet palīgrokturi, ja tāds ir.** Operators var savaldīt griezes momenta reakciju vai atsitienu spēku, ja veic atbilstošus piesardzības pasākumus.

2. **Nekad nenovietojiet roku rotējošā piederuma tuvumā.** Piederums var radīt atsitienu un trāpīt rokaļ.
3. **Neviens jūsu ķermeņa daļa nedrīkst atrasties ceļā, kur atsitiens gadījumā pārvietosies elektriskais darbarīks.** Atsitiens iekēršanās gadījumā grūzī darbarīku no iekēršanās vietas slīpripas kustībai pretējā virzienā.
4. **Ar īpašu piesardzību apstrādājiet stūrus, asas malas utt. Neleciniet un neraustiet piederumu.** Stūri, asas malas vai darbarīka atļieciņi var ietekmēt rotējošā piederuma kustību un izraisīt kontroles zaudēšanu pār darbarīku vai atsitienu rašanos.
5. **Nepiestipriniet zāga ķēdes kokgriešanas asmeni, segmentētu dimanta ripu ar aplopes rievu, kas lielāka par 10 mm, vai zobaino zāga asmeni.** Šādi asmeņi izraisa biežus atsitienu un vadības zaudēšanu.

#### **Drošības brīdinājumi tieši slīpēšanas un griešanas darbībām**

1. **Izmantojiet tikai savam elektriskajam darbarīkam ieteicamos ripu veidus un katrai izvēlētajai ripai paredzēto aizsargu.** Ripas, kas nav paredzētas elektriskajam darbarīkam, nevar pienācīgi aizsargāt, tāpēc tās nav drošas.
2. **Ripas ar ieliektu centru stiprinājumam jāatrodas zemāk par aizsargatloka malu.** Nepareizi piestiprināta ripa, kas izvirzās no aizsargatloka malas plaknes, nav pietiekami aizsargājama.
3. **Aizsargam jābūt stingri piestiprinātam pie elektriskā darbarīka un novietotam maksimālāi drošībai, lai operatora virzienā būtu atsegta pēc iespējas mazāka ripas daļa.** Aizsargs palīdz aizsargāt operatoru no salūzušās ripas daļām un nejausas saskares ar slīpripu un dzirkstelēm, kas var aizdedzināt apgērbus.
4. **Ripas jāizmanto tikai tām paredzētajiem darbiem. Piemēram: neslīpējiet ar griešanas ripas malu.** Abrazīvas griešanas ripas paredzētas perifērai slīpēšanai, tāpēc, ja uz šīm ripām iedarbojas sānu spēks, tās var salūzt.
5. **Vienmēr izmantojiet nebojātus atlokus, kas atbilst izvēlētais ripas izmēram un formai.** Atbilstoši ripas atloki balsta ripu, tādējādi samazinot tās salūšanas iespēju. Nogriešanas ripu atloki var atšķirties no slīpēšanai paredzēto ripu atlokiem.
6. **Neizmantojiet nodilušas lielāku elektrisko darbarīku ripas.** Lielākiem elektriskajiem darbarīkiem paredzētās ripas nav piemērotas mazāka darbarīka lielākajam ātrumam, tās var sabrukt.
7. **Lietojot divu funkciju ripas, vienmēr izmantojiet veicamajai darbībai atbilstošo aizsargu.** Neizmantojot pareizo aizsargu, tas var nenodrošināt vajadzīgo aizsardzības līmeni, izraisot smagus ievainojumus.

#### **Papildu drošības brīdinājumi tieši griešanas darbībām.**

1. **Neļaujiet griešanas ripai iesprūst un nelietojiet pārmērīgu spēku. Negrieziet pārāk dziļi.** Ripas pārslugošana palielina slodzi, ripas sašķiešanas vai iekēršanas griezumā un atsitienu vai slīpripas salūšanas iespējamību.

2. **Nenostājieties vienā trajektorijas līnijā ar rotējošo ripu vai aiz tās.** Kad darba laikā ripas pārvietojas virzienā prom no jūsu ķermeņa, iespējama atslēgšana vai grūst rotējošo ripu un elektrisko darbarīku tieši jūsu virzienā.
3. **Ja ripa iesprūst vai kad kāda iemesla dēļ griešana tiek pārtraukta, izslēdziet elektrisko darbarīku un turiet to nekustīgi, līdz ripa apstājas pilnībā.** Nekādā gadījumā nemēģiniet izņemt griezējripu no griezumā, kad ripa vēl griežas, lai netiktu izraisīts atslēgšanās. Pārbaudiet un veiciet attiecīgus pasākumus, lai novērstu ripas iesprūšanas cēloņus.
4. **Neatsāciet griešanu, darbarīkam atrodoties apstrādājamajā materiālā.** Laujiet slīpīpai sasniegt pilnu ātrumu un tad vēlreiz uzmanīgi ievietojiet to griezumā. Slīpīpa var iekļerties, izvirzīties augšup vai atlēkt, ja elektriskais darbarīks tiek atkal iedarbināts, atrodoties apstrādājamajā materiālā.
5. **Atbalstiet paneļus un visus lielos apstrādājamajos materiālos, lai samazinātu slīpīpas iesprūšanas un atslēgšanās bīstamību.** Lielī apstrādājami materiāli bieži vien ieliecas sava svara dēļ. Balsti jānovieto zem apstrādājamā materiāla abās slīpīpas pusēs, griezuma līnijas tuvumā un tuvu apstrādājamā materiāla malai.
6. **Ievērojiet īpašu piesardzību, veicot „nišas griezumus” jau esošās sienās vai citās aizsegšanās vietās.** Caururbjošā slīpīpa var pārgriezt gāzes vai ūdens caurules, elektrības vadus vai priekšmetus, kas var izraisīt atslēgšanu.
7. **Grieziet tikai taisnā līnijā.** Ripas pārslogošana palielina slodzi, ripas sašķiebošanos vai iekrāsošanos griezumā un atslēgšanu vai slīpīpas salūšanas iespējamību, kas var izraisīt smagus ievainojumus.
8. **Pirms segmentētas dimanta ripas izmantošanas pārbaudiet, vai dimanta ripas aploces rievā starp segmentiem ir 10 mm vai mazāka, tikai ar negatīvu slīpuma leņķi.**

#### **Drošības brīdinājumi tieši smalkajai slīpēšanai**

1. **Izmantojiet atbilstoša izmēra smilšpapīra disku.** Izvēloties smilšpapīru smalkajai apstrādei, **ievērojiet ražotāja ieteikumus.** Par slīpēšanas pamatni ievērojami lielāks smilšpapīrs rada iegriezumu risku un var izraisīt smilšpapīra diska aizķeršanos, saplīšanu vai atslēgšanu.

#### **Drošības brīdinājumi apstrādei ar stieplu suku**

1. **Nemiet vērā, ka stieplu sari tiek izviesti no sukas pat parastas darbības laikā.** **Nepārslodojiet stieples, piemērojot sukai pārmērīgu spēku.** Stieplu sari var viegli caurdurt plānu apģērbus un/vai ādu.
2. **Ja apstrādei ar stieplu suku norādīts izmantot aizsargu, nepieļaujiet stieplu ripas vai sukas saskari ar aizsargu.** Darba slodzes un centrēšanas spēku iedarbībā stieplu ripai vai sukai var palielināties diametrs.

#### **Papildu drošības brīdinājumi:**

1. **Lietojot slīpīpas ar ieliktu jeb iedzīlinātu centru, noteikti izmantojiet tikai slīpīpas ar stikla šķiedras armatūru.**
2. **Šai slīpmašīnai NEKAD NEUZSTĀDIET kausveida akmens ripu.** Šī slīpmašīna nav paredzēta šāda veida ripām, un to izmantošana var radīt smagus traumas.

3. **Uzmanieties, lai nesabojātu vārpstu, atloku (it īpaši uzstādīšanas virsmu) un kontruzgriezni.** Šo detaļu bojājumus var izraisīt ripas salūšanu.
4. **Pārlicinieties, ka slīpīpa nepieskaras apstrādājamajai virsmai slēdža ieslēgšanas.**
5. **Pirms lietot darbarīku materiāla apstrādei, īslaicīgi darbiniet to bez slodzes.** Pievērsiet uzmanību tam, vai nav novērojama vibrācija vai svārstības, kas var norādīt uz nekvalitatīvu uzstādīšanu vai nepareizi līdzsvarotu slīpīpu.
6. **Lai slīpētu, izmantojiet tam paredzēto slīpīpas virsmu.**
7. **Neatstājiet darbarīku ieslēgtu.** Darbiniet darbarīku vienīgi tad, ja turat to rokās.
8. **Neskarieties pie apstrādājamas detaļas tūlīt pēc darba izpildes; tā var būt ārkārtīgi karsta un apdedzināt ādu.**
9. **Nepieskarieties piederumiem tūlīt pēc darba izpildes; tie var būt ārkārtīgi karsti un apdedzināt ādu.**
10. **Ievērojiet ražotāja norādījumus par pareizu ripu un piederumu montāžu un izmantošanu.** Nepareiza montāža un lietošana var izraisīt traumas.
11. **Rīkojieties ar slīpīpām uzmanīgi un glabājiet tās rūpīgi.**
12. **Neizmantojiet atsevišķus samazinošus ieliktnus vai pārejas, lai pielāgotu abrazīvās slīpīpas ar liela diametra atveri.**
13. **Izmantojiet tikai šim darbarīkam paredzētus atlokus.**
14. **Darbarīkiem, kuri paredzēti lietošanai ar vītņotu slīpīpu, pārlicinieties, ka slīpīpas vītnes garums atbilst vārpstas garumam.**
15. **Pārbaudiet, vai apstrādājamā detaļa ir pienācīgi atbalstīta.**
16. **Ņemiet vērā, ka slīpīpa turpina griezties arī pēc darbarīka izslēgšanas.**
17. **Ja darba vietā ir ārkārtīgi augsta temperatūra un liels mitrums, vai tā ir stipri piesārņota ar vadītspējīgiem putekļiem, izmantojiet issavienojuma pārtraucēju (30 mA), lai garantētu operatora drošību.**
18. **Neizmantojiet darbarīku tādu materiālu apstrādei, kas satur azbestu.**
19. **Lietojot griezējripas, vienmēr izmantojiet ripas aizsargu ar putekļu savācēju, ja to prasa vietējie normatīvie akti.**
20. **Griešanas ripas nedrīkst pakļaut jebkādam sānu spiedienam.**
21. **Strādājot nelietojiet auduma darba cimds.** Šķiedras no auduma cimdēm var iekļūt darbarīkā, izraisot darbarīka bojājumus.
22. **Pirms darba uzsākšanas pārlicinieties, vai darbības zonā nav aprakts kāds objekts, piemēram, elektriskā caurule, ūdens caurule vai gāzes caurule.** Tie var izraisīt elektrotriecienu, elektriskās strāvas vai gāzes noplūdi.
23. **Ja ripai ir pievienota amortizējošā paplāksne, neņemiet to nost.** Amortizējošās paplāksnes dimetram jābūt lielākam par kontruzgriezni, ārējo atloku un iekšējo atloku.
24. **Pirms slīpīpas uzstādīšanas vienmēr pārbaudiet, vai paplāksnes daļai nav defektu, piemēram, atskabargu vai plaisu.**

25. Pareizi pievelciet kontruzgriezni. Pārmērīga ripas pievilksana var izraisīt tās salūšanu, un nepietiekama pievilksana var izraisīt vibrācijas.

## SAGLABĀJIET ŠOS NORĀDĪJUMUS.

**▲BRĪDINĀJUMS:** NEPIELĀUJIET to, ka labu iemaņu vai izstrādājuma labas pārziņāšanas (darbarīku atkārtoti ekspluatējot) rezultātā vairs stingri neievērojot šī izstrādājuma drošības noteikumus. NEPAREIZI LIETOJOT darbarīku vai neievērojot šajā instrukciju rokasgrāmatā minētos drošības noteikumus, var tikt gūtas smagas traumas.

### Svarīgi drošības norādījumi par akumulatora kasetni

1. Pirms akumulatora lietošanas izlasiet visus norādījumus un brīdinājumus, kuri attiecas uz (1) akumulatora lādētāju, (2) akumulatoru un (3) ierīci, kurā tiek izmantots akumulators.
2. Akumulatora kasetni nedrīkst ne pārveidot, ne izjaukt. Citādi var tikt izraisīta aizdegšanās, pārmērīgs karstums vai sprādziens.
3. Ja akumulatora darbības laiks kļūva ievērojami īsāks, nekavējoties pārtrauciet to izmantot. Citādi, tas var izraisīt pārkarsējumu, uzliesmojumu vai pat sprādzienu.
4. Ja elektrolīts nonāk acīs, izskalojiet tās ar tīru ūdens un nekavējoties griezieties pie ārsta. Tas var izraisīt redzes zaudēšanu.
5. Neradiet īssavienojumu akumulatora kasetnē:
  - (1) Nepieskarieties spaiļēm ar elektrību vadošiem materiāliem.
  - (2) Neuzglabājiet akumulatoru kasetni kopā ar citiem metāla priekšmetiem, tādiem kā naglas, monētas u. c.
  - (3) Nepakļaujiet akumulatora kasetni ūdens vai lietus iedarbībai.Akumulatora īssavienojums var radīt spēcīgu strāvas plūsmu, pārkarsānu, uzliesmojumu un pat sabojāt akumulatoru.
6. Neglabājiet un neizmantojiet darbarīku un akumulatora kasetni vietās, kur temperatūra var sasniegt vai pārsniegt 50 °C (122 °F).
7. Nededziniet akumulatora kasetni, pat ja tā ir stipri bojāta vai pilnībā nolietota. Akumulatora kasetne uguni var eksplodēt.
8. Akumulatora kasetni nedrīkst naglot, griezt, saspīest, mest vai nomet, kā arī pa to nedrīkst sist ar cietu priekšmetu. Šādas darbības var izraisīt aizdegšanos, pārmērīgu karstumu vai sprādzienu.
9. Neizmantojiet bojātu akumulatoru.
10. Uz izmantotajiem litija jonu akumulatoriem attiecas likumdošanas prasības par bīstamiem izstrādājumiem. Komerciālā transportēšanā, ko veic, piemēram, trešās puses, transporta uzņēmumi, jāievēro uz iesaiņojuma un marķējuma norādītās īpašās prasības. Lai izstrādājumu sagatavotu nosūtīšanai, jāsasaziņās ar bīstamo materiālu speciālistu. Ievērojiet arī citus attiecināmos valsts normatīvus. Valējus kontaktus nosedziet ar līmlenti vai citādi pārklājiet, bet akumulatoru iesaiņojiet tā, lai sainītas nevarētu izkustēties.

11. Lai utilizētu akumulatora kasetni, izņemiet to no darbarīka un likvidējiet drošā vietā. Ievērojiet vietējos noteikumus par akumulatora likvidēšanu.
12. Izmantojiet šos akumulatorus tikai ar izstrādājumiem, kurus norādījis Makita. Ievietojot šos akumulatorus nesaderīgos izstrādājumos, var rasties ugunsgrēks, pārmērīgs karstums, tie var uzsprāgt vai no tiem var iztecēt elektrolīts.
13. Ja darbarīks netiks lietots ilgu laiku, no tā jāizņem akumulators.
14. Lietošanas laikā vai pēc tās akumulatora kasetne var uzkrāt siltumu, kas var izraisīt apdegumus vai zemas temperatūras apdegumus. Ar karstu akumulatora kasetni apejieties rūpīgi.
15. Nepieskarieties darbarīka izvadam uzreiz pēc lietošanas, jo tas var būt sakarsis un izraisīt apdegumus.
16. Neļaujiet akumulatora kasetnes spaiļēs, atvērēs un rievās uzkrāties skaidām, putekļiem vai netīrumiem. Tas var izraisīt sasilšanu, aizdegšanos, sprādzienu instrumenta vai akumulatora kasetnes nepareizu darbību, un lietotājs var gūt apdegumus vai ievainojumus.
17. Neizmantojiet akumulatora kasetni augstsprieguma līniju tuvumā, izņemot gadījumus, kad darbarīks ir piemērots lietošanai augstsprieguma līniju tuvumā. Citādi darbarīks vai akumulatora kasetne var sākt darboties nepareizi vai tikt sabojāti.
18. Glabājiet akumulatoru bērniem nepieejamā vietā.

## SAGLABĀJIET ŠOS NORĀDĪJUMUS.

**▲UZMANĪBU:** Lietojiet tikai oriģinālos Makita akumulatorus. Ja lietojat neoriģinālus Makita akumulatorus vai pārveidotus akumulatorus, tie var uzsprāgt un izraisīt aizdegšanos, traumas un materiālos zaudējumus. Tīks anulēta arī Makita darbarīka un lādētāja garantija.

## Ieteikumi akumulatora kalpošanas laika pagarināšanai

1. Uzlādējiet akumulatora kasetni, pirms tā ir pilnībā izlādējusies. Vienmēr, kad ievērojāt, ka darbarīka darba jauda zudusi, apturiet darbarīku un uzlādējiet akumulatora kasetni.
2. Nekad neuzlādējiet pilnībā uzlādētu akumulatora kasetni. Pārmērīga uzlāde saīsina akumulatora kalpošanas laiku.
3. Uzlādējiet akumulatora kasetni istabas temperatūrā 10 °C - 40 °C. Karstai akumulatora kasetnei pirms uzlādes ļaujiet atdzist.
4. Kad akumulatora kasetne netiek izmantota, izņemiet to no darbarīka vai lādētāja.
5. Uzlādējiet litija jonu akumulatora kasetni, ja to ilgstoši nelietosit (vairāk nekā sešus mēnešus).

# FUNKCIJU APRAKSTS

**▲BRĪDINĀJUMS:** Pirms darbarīka regulēšanas vai tā darbības pārbaudes vienmēr pārliedcinieties, ka darbarīks ir izslēgts un akumulatora kasetne ir izņemta.

## Akumulatora kasetnes uzstādīšana un izņemšana

**▲UZMANĪBU:** Vienmēr pirms akumulatora kasetnes uzstādīšanas vai noņemšanas izslēdziet darbarīku.

**▲UZMANĪBU:** Uzstādot vai izņemot akumulatora kasetni, darbarīku un akumulatora kasetni turiet cieši. Ja darbarīku un akumulatora kasetni netur cieši, tie var izkrist no rokām un radīt bojājumus darbarīkam un akumulatora kasetnei, kā arī izraisīt ievainojumus.

- **Att.1:** 1. Sarkanās krāsas indikators 2. Poga 3. Akumulatora kasetne

Lai izņemtu akumulatora kasetni, izvelciet to no darbarīka, pārbrīdot kasetnes priekšpusē esošo pogu.

Lai uzstādītu akumulatora kasetni, salāgojiet akumulatora kasetnes mēlīti ar rievu ietvarā un iebīdīto vietā. Ievietojiet to līdz galam, līdz tā ar klikšķi nofiksējas. Ja redzams attēlā parādītais sarkanais rādītājs, tas nozīmē, ka tas nav pilnīgi nofiksēts.


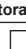














**▲UZMANĪBU:** Vienmēr ievietojiet akumulatora kasetni tā, lai sarkanais indikators nebūtu redzams. Pretējā gadījumā tā var nejauši izkrist no darbarīka un izraisīt jums vai apkārtējiem traumas.

**▲UZMANĪBU:** Neievietojiet akumulatora kasetni ar spēku. Ja kasetne neslid ietvarā viegli, tā nav pareizi ielikta.

## Atlikušās akumulatora jaudas indikators

Nospiediet akumulatora kasetnes pārbaudes pogu, lai pārbaudītu akumulatora atlikušo uzlādes līmeni. Indikatori iedegsies uz dažām sekundēm.

- **Att.2:** 1. Indikatora lampas 2. Pārbaudes poga

Indikatora lampas			Atlikusī jauda
			
			No 75% līdz 100%
			No 50% līdz 75%
			No 25% līdz 50%
			No 0% līdz 25%
			Uzlādējiet akumulatoru.
			Iespējama akumulatora kļūme.
			

**PIEZĪME:** Reālā jauda var nedaudz atšķirties no norādītās atkarībā no lietošanas apstākļiem un apkārtējās temperatūras.

**PIEZĪME:** Akumulatora aizsardzības sistēmas darbības laikā mirgo pirmais (kreisais malējais) indikators.

## Darbarīka/akumulatora aizsardzības sistēma

Darbarīkam ir darbarīka/akumulatora aizsardzības sistēma. Šī sistēma automātiski izslēdz strāvas padevi motoram, lai pagarinātu darbarīka un akumulatora darbmūžu. Lietošanas laikā darbarīks automātiski pārstās darboties, ja darbarīku vai akumulatoru pakļaus kādam no šādiem apstākļiem.

### Aizsardzība pret pārslodzi

Ja darbarīku/akumulatoru lieto tā, ka tas patērē pārāk lielu strāvas daudzumu, darbarīks automātiski bez iepriekšēja brīdinājuma pārstāj darboties. Šādā gadījumā izslēdziet darbarīku un pārtrauciet darbību, kas izraisīja darbarīka pārslodzi. Pēc tam ieslēdziet darbarīku, lai atsāktu darbu.

### Aizsardzība pret pārkaršanu

Kad darbarīks/akumulators ir pārkaris, darbarīks automātiski pārstāj darboties. Pirms atkārtotas ieslēgšanas ļaujiet darbarīkam atdzist.

### Aizsardzība pret akumulatora pārmērīgu izlādi

Ja akumulatora jaudas līmenis ir zems, darbarīks automātiski pārstāj darboties. Šajā gadījumā akumulatoru izņemiet no darbarīka un uzlādējiet.

### Aizsardzības bloķētāja izslēgšana

Ja aizsardzības sistēma ieslēgsies atkārtoti, darbarīks tiek bloķēts.

Šādā gadījumā darbarīks nesāk darboties pat pēc izslēgšanas un ieslēgšanas. Lai izslēgtu aizsardzības bloķētāju, akumulatoru izņemiet, ievietojiet akumulatora lādētājā un nogaidiet, līdz beidzas uzlāde.

### Aizsardzība pret citiem cēloņiem

Aizsardzības sistēma ir paredzēta arī pret citiem cēloņiem, kas varētu radīt darbarīka bojājumus, un nodrošina automātisku darbarīka apturēšanu. Ja darbarīka darbība ir īslaicīgi apstājusies vai tas pārstājis darboties, veiciet visas tālāk norādītās darbības, lai novērstu cēloņus.

1. Izsēdziet un ieslēdziet darbarīku, lai to no jauna iedarbinātu.
2. Uzlādējiet akumulatoru(-s) vai nomainiet to(-s) ar uzlādētu(-iem) akumulatoru(-iem).
3. Ļaujiet darbarīkam un akumulatoram(-iem) atdzist.

Ja pēc aizsardzības sistēmas atjaunošanas nav uzlabojumu, sazinieties ar vietējo Makita tehnikās apkopes centru.

## Vārpstas bloķētājs

**▲BRĪDINĀJUMS:** Nekad neieslēdziet vārpstas bloķētāju, kad vārpsta griežas. Tas var izraisīt smagus ievainojumus vai darbarīka bojājumus.

Nospiediet vārpstas bloķētāju, lai novērstu vārpstas griešanās piederumu uzstādīšanas vai noņemšanas laikā.

► **Att.3:** 1. Vārpstas bloķētājs

## Slēdža darbība

**▲UZMANĪBU:** Vienmēr pirms akumulatora kasetnes uzstādīšanas darbarīkā pārbaudiet, vai slēdža svira darbojas pareizi un pēc atlaišanas atgriežas stāvoklī "OFF" (izslēgts).

**▲UZMANĪBU:** Jūsu drošības labad darbarīks ir aprīkots ar atbloķēšanas sviru, kas novērš darbarīka nejaušas iedarbināšanas risku. NEIZMANTOJIET darbarīku, ja tas darbojas, kad nospiežat slēdža sviru, nospiežot atbloķēšanas sviru. PIRMS turpmākas lietošanas nododiet darbarīku mūsu pilnvarotajā apkopes centrā, lai veiktu pienācīgu remontu.

**▲UZMANĪBU:** Slēdža sviru nespiediet ar spēku, nospiežot atbloķēšanas sviru. Spiežot ar spēku, var sabojāt slēdzi.

**▲UZMANĪBU:** NEKAD nenovērtējiet par zemu un neignorējiet atbloķēšanas sviras mērķi un funkcijas.

Lai slēdža sviru nenospiestu nejauši, darbarīks ir aprīkots ar atbloķēšanas sviru.

Lai darbarīku iedarbinātu, atbloķēšanas sviru pavelciet virzienā pret sevi un tad nospiediet slēdža sviru.

Lai darbarīku apturētu, atlaidiet slēdža sviru.

► **Att.4:** 1. Atbloķēšanas svira 2. Slēdža svira

## Nejaušas atkārtotas ieslēgšanas nepieļaušanas funkcija

Ja akumulatora kasetnes uzstādīšanas brīdī slēdzis ir ieslēgts, darbarīks nesāk darboties.

Lai iedarbinātu darbarīku, izslēdziet slēdzi un pēc tam to atkal ieslēdziet.

## Aktīvās reakcijas tehnoloģija (Active Feedback sensing Technology)

Darbarīks elektroniski nosaka stāvokli, kad ripa vai piederums var iesprūst. Šādā gadījumā darbarīks automātiski izslēdzas, lai vārpsta vairs negrieztos (taču tas nenovērš atsitienus).

Lai atkārtoti ieslēgtu darbarīku, vispirms to izslēdziet, novērsiet darbarīka ātruma pēkšņās samazināšanās iemeslu un tad atkal ieslēdziet darbarīku.

## Pakāpeniskas jeb laidenās ieslēgšanas funkcija

Pakāpeniskas ieslēgšanas funkcija mazina iedarbināšanas reakciju.

## Elektrobremze

Elektrobremze tiek ieslēgta pēc darbarīka izslēgšanas. Bremze nedarbojas, ja barošana ir izslēgta, piemēram, tiek izņemts akumulators, kad slēdzis vēl ir ieslēgšanas stāvoklī.

## MONTĀŽA

**▲BRĪDINĀJUMS:** Pirms darbarīka regulēšanas vai tā darbības pārbaudes vienmēr pārlicinieties, ka darbarīks ir izslēgts un akumulatora kasetne ir izņemta.

## Sānu roktura uzstādīšana (rokturis)

**▲UZMANĪBU:** Pirms darbarīka izmantošanas vienmēr pārlicinieties, ka sānu rokturis ir uzstādīts droši.

Stingri pieskrūvējiet sānu rokturi pie darbarīka, kā parādīts attēlā.

► **Att.5**

## Slīpriņas aizsarga uzstādīšana un noņemšana

**▲BRĪDINĀJUMS:** Izmantojot slīpriņas ar ieliektu centru, plāksņu diska, lokanās ripas vai stieplu sukas ripas, slīpriņas aizsargs jāuzstāda uz darbarīka tā, lai aizsarga slēgtā daļa vienmēr būtu vērsta pret operatoru.

**▲BRĪDINĀJUMS:** Pārbaudiet, vai slīpriņas aizsargs ir droši nostiprināts ar aiztura sviru, izmantojot vienu no slīpriņas aizsarga atverēm.

**▲BRĪDINĀJUMS:** Izmantojot abrazīvo griezējripi vai dimanta ripu, lietojiet tikai īpašu griezējripiem paredzētu ripas aizsargu.

## Slīpriņai ar ieliektu centru, plāksņu ripai, lokanajai ripai, stieplu sukas ripai/abrazīvai griešanas ripai, dimanta ripai

1. Nospiediet bloķēšanas sviru un uzlieciet slīpriņas aizsargu tā, lai uz slīpriņas aizsarga malas esošie izcilņi sakristu ar gultņa korpusa ierobiem.

► **Att.6:** 1. Bloķēšanas svira 2. Ierobs 3. Izvirzījums

2. Spiežot bloķēšanas sviru A atzīmes virzienā, turiet slīpriņas aizsarga daļas B, kā redzams attēlā.

► **Att.7:** 1. Ripas aizsargs 2. Atvere

**PIEZĪME:** Spiediet ripas aizsargu tieši uz leju. Pretējā gadījumā slīpriņas aizsargu nav iespējams nostiprināt.

3. Turot nospiestu bloķēšanas sviru atzīmes A virzienā, pagriežiet slīpripas aizsargu C atzīmes virzienā un tad mainiet slīpripas aizsarga leņķi atbilstoši veicamajam darbam tā, lai operators būtu aizsargāts. Savietojiet bloķēšanas sviru ar kādu no atverēm slīpripas aizsargā un tad atlaidiet bloķēšanas sviru, lai nofiksētu slīpripas aizsargu.

► **Att.8:** 1. Ripas aizsargs 2. Atvere

Lai noņemtu slīpripas aizsargu, izpildiet iepriekš minētās darbības pretējā secībā.

## Piestiprināma griezējripas aizsarga papildierīce

### Papildu piederumi

**PIEZĪME:** Griešanas operācijām piestiprināmu griezējripas aizsarga papildierīci var izmantot ar ripas aizsargu (slīpripai).

Dažās valstīs tas nav pieejams.

► **Att.9**

## Slīpripas ar ieliektu centru vai plāksņu diska uzstādīšana un noņemšana

### Papildu piederumi

**▲BRĪDINĀJUMS:** Izmantojot slīpripas ar ieliektu centru vai plāksņu diskus, slīpripas aizsargs jāuzstāda uz darbarīka tā, lai aizsarga slēgtā daļa vienmēr būtu vērsta operatora virzienā.

**▲BRĪDINĀJUMS:** Pārlicinieties, ka iekšējā atloka stiprinājuma daļa precīzi iekļaujas slīpripas ar ieliektu centru vai plāksņu diska iekšējā diametrā. Ja iekšējo atloku uzstādīsiet nepareizajā pusē, var rasties bīstama vibrācija.

Iekšējo atloku uzstādiat uz vārpstas.

Iekšējā atloka ieliektu daļu uzstādiat uz taisnās daļas vārpstas apakšdaļā.

Slīpripu ar ieliektu centru vai plāksņu disku uzlieciat uz iekšējā atloka un pieskrūvējiet kontruzgriezni uz vārpstas.

► **Att.10:** 1. Kontruzgrieznis 2. Slīpripa ar ieliektu centru 3. Iekšējais atloks 4. Stiprinājuma daļa

Lai pievilktu kontruzgriezni, stingri nospiediet vārpstas bloķētāju, lai vārpsta negrieztos, tad ar kontruzgriežņa atslēgu stingri pievelciat to pulksteņrādītāju kustības virzienā.

► **Att.11:** 1. Kontruzgriežņa atslēga 2. Vārpstas bloķētājs

Lai slīpripu noņemtu, iepriekš norādītās darbības izpildiet pretējā secībā.

## Lokanās ripas uzstādīšana un noņemšana

### Papildu piederumi

**▲BRĪDINĀJUMS:** Ja darbarīkam izmantojat lokano ripu, vienmēr lietojiet komplektā iekļauto aizsargu. Lietošanas laikā ripa var sadrupēt, bet aizsargs palīdz mazināt traumu bīstamību.

► **Att.12:** 1. Kontruzgrieznis 2. Lokanā ripa 3. Balsta starpliņa 4. Iekšējais atloks

Ievērojiet norādījumus attiecībā uz slīpripu ar ieliektu centru; tomēr uz ripas uzlieciat arī balsta starpliņu.

## Abrazīvās ripas uzstādīšana un noņemšana

### Papildu piederumi

**PIEZĪME:** Izmantojiet šajā rokasgrāmatā norādītos slīpmašīnas piederumus. Tie jāiegādājas atsevišķi.

## 100 mm (4") modelim

► **Att.13:** 1. Smilšpapīra jeb smalkās slīpēšanas kontruzgrieznis 2. Abrazīvā ripa 3. Gumijas starpliņa 4. Iekšējais atloks

1. Iekšējo atloku uzstādiat uz vārpstas.
2. Uz vārpstas uzstādiat gumijas paliktni.
3. Uzstādiat ripu uz gumijas starplikas un uzskrūvējiet smilšpapīra slīpēšanas kontruzgriezni uz vārpstas.
4. Turiet vārpstu ar vārpstas bloķētāju un ar kontruzgriežņa atslēgu cieši pievelciat smilšpapīra slīpēšanas kontruzgriezni pulksteņrādītāju kustības virzienā.

Lai noņemtu ripu, izpildiet iepriekš norādītās darbības pretējā secībā.

## Modelim, kas nav 100 mm (4") modelis

► **Att.14:** 1. Smilšpapīra jeb smalkās slīpēšanas kontruzgrieznis 2. Abrazīvā ripa 3. Gumijas starpliņa

1. Uz vārpstas uzstādiat gumijas paliktni.
2. Uzstādiat ripu uz gumijas starplikas un uzskrūvējiet smilšpapīra slīpēšanas kontruzgriezni uz vārpstas.
3. Turiet vārpstu ar vārpstas bloķētāju un ar kontruzgriežņa atslēgu cieši pievelciat smilšpapīra slīpēšanas kontruzgriezni pulksteņrādītāju kustības virzienā.

Lai noņemtu ripu, izpildiet iepriekš norādītās darbības pretējā secībā.

## „Ezynut” uzstādīšana vai noņemšana

### Papildu piederumi

Tikai darbarīkiem ar M14 vārpstas vītņi.

Uzstādi iekšējo atloku, abrazīvo ripu un „Ezynut” uzgriezni uz vārpstas tādā veidā, lai „Makita” logotips atrodas „Ezynut” uzgriežņa ārpusē.

► **Att.15:** 1. „Ezynut” 2. Abrazīvā ripa 3. Iekšējais atloks 4. Vārpsta

Cieši piespiedi vārpstas bloķētāju un pieskrūvējiet „Ezynut” uzgriezni, griežot abrazīvo ripu pulksteņrādītāju kustības virzienā, cik tālu iespējams.

► **Att.16:** 1. Vārpstas bloķētājs

Lai atskrūvētu „Ezynut” uzgriezni, grieziet „Ezynut” ārējo gredzenu pretēji pulksteņrādītāju kustības virzienam.

**PIEZĪME:** „Ezynut” var atskrūvēt ar roku, ja bulta atrodas pret ierobu. Pretējā gadījumā atskrūvēšanai nepieciešama kontruzgriežņa uzgriežņatslēga. Ievietojiet vienu uzgriežņatslēgas tapu atverē un grieziet „Ezynut” pretēji pulksteņrādītāju kustības virzienam.

► **Att.17:** 1. Bultiņa 2. Ierobs

► **Att.18**

## Abrazīvās griezējriņas/dimanta ripas uzstādīšana

### Papildu piederumi

**▲BRĪDINĀJUMS:** Izmantojot abrazīvo griezējripi vai dimanta ripu, lietojiet tikai īpašu griezējriņām paredzētu ripas aizsargu.

**▲BRĪDINĀJUMS:** NEKAD NELIETOJIET griezējripi sānu slīpēšanai.

**▲UZMANĪBU:** Uzstādot dimanta ripu, noteikti saskaņojiet bultiņas virzienu uz ripas ar bultiņu uz darbarīka.

► **Att.19:** 1. Kontruzgrieznis 2. Abrazīvā griezējriņa/dimanta ripa 3. Iekšējais atloks 4. Ripas aizsargs abrazīvai griezējriņai/dimanta ripai

Veicot uzstādīšanu, izpildiet norādījumus, kas paredzēti slīpripi ar ieliektu centru.

Kontruzgriežņa un iekšējā atloka uzstādīšanas virziena maiņa atkarīga no ripas veida un biežuma.

Skatiet attiecīgos parametrus.

## 100 mm (4”) modelim

### Uzstādot abrazīvo griezējripi:

► **Att.20:** 1. Kontruzgrieznis 2. Abrazīvā griezējriņa (plānāka par 4 mm (5/32”)) 3. Abrazīvā griezējriņa (4 mm (5/32”) vai biezāka) 4. Iekšējais atloks

### Uzstādot dimanta ripu:

► **Att.21:** 1. Kontruzgrieznis 2. Dimanta ripa (plānāka par 4 mm (5/32”)) 3. Dimanta ripa (4 mm (5/32”) vai biezāka) 4. Iekšējais atloks

## Modelim, kas nav 100 mm (4”) modelis

### Uzstādot abrazīvo griezējripi:

► **Att.22:** 1. Kontruzgrieznis 2. Abrazīvā griezējriņa (plānāka par 4 mm (5/32”)) 3. Abrazīvā griezējriņa (4 mm (5/32”) vai biezāka) 4. Iekšējais atloks

### Uzstādot dimanta ripu:

► **Att.23:** 1. Kontruzgrieznis 2. Dimanta ripa (plānāka par 4 mm (5/32”)) 3. Dimanta ripa (4 mm (5/32”) vai biezāka) 4. Iekšējais atloks

## Kausveida stieplu suku uzstādīšana

### Papildu piederumi

**▲UZMANĪBU:** Neizmantojiet bojātu un nelīdzsvarotu kausveida stieplu suku. Bojātas kausveida stieplu suku izmantošana var palielināt risku gūt traumas no salauztām suku stieplēm.

Novietojiet darbarīku ar kājām gaisā, lai varētu viegli piekļūt vārpstai.

No vārpstas noņemiet piederumus. Kausveida stieplu suku uzskrūvējiet uz vārpstas un pievelciet ar komplekta uzgriežņatslēgu.

► **Att.24:** 1. Kausveida stieplu suka

## Stieplu suku ripas uzstādīšana

### Papildu piederumi

**▲UZMANĪBU:** Neizmantojiet bojātu un nelīdzsvarotu stieplu ripas suku. Bojātas stieplu ripas suku izmantošana var palielināt salauztu stieplu radītu traumu bīstamību.

**▲UZMANĪBU:** Lietojot stieplu ripas suku, VIENMĒR izmantojiet aizsargu, sekojot, lai viss ripas diametrs iekļaujas aizsargā. Lietošanas laikā ripa var sadrupt, bet aizsargs palīdz mazināt traumu bīstamību.

Novietojiet darbarīku ar kājām gaisā, lai varētu viegli piekļūt vārpstai.

No vārpstas noņemiet piederumus. Stieplu ripas suku uzskrūvējiet uz vārpstas un pievelciet ar uzgriežņa atslēgām.

► **Att.25:** 1. Stieplu ripas suka

## Vainagurbja uzstādīšana

### Papildu piederumi

Novietojiet darbarīku ar kājām gaisā, lai varētu viegli piekļūt vārpstai.

Noņemiet no vārpstas visus piederumus. Uzskrūvējiet vainagurbju uz vārpstas un pievelciet to ar komplektā piegādāto uzgriežņa atslēgu.

► **Att.26:** 1. Vainagurbis

## Slīpripas aizsarga ar putekļu savācēju uzstādīšana slīpēšanai

Tikai modelim GA049G / GA050G

### Papildu piederumi

Ar izvēles piederumiem, darbarīku var izmantot betona virsmas pulēšanai.

**UZMANĪBU:** Kausveida dimanta ripas slīpripas aizsargu ar putekļu savācēju paredzēts izmantot tikai betona virsmas pulēšanai ar kausveida dimanta ripu. Neizmantojiet šo aizsargu ar citu griešanas papildaprīkojumu vai citos nolūkos.

**UZMANĪBU:** Pirms sākat darbu, pārliecinieties, ka putekļu sūcējs ir pievienots darbarīkam un ieslēgts.

Novietojiet darbarīku ar kājām gaisā un uzstādiet ripas aizsargu ar putekļu savācēju.

Uzstādiet uz vārpstas iekšējo atloku.

Uzlieciet kausveida dimanta ripu uz iekšējā atloka un pievelciet kontruzgriezni uz vārpstas.

► **Att.27:** 1. Kontruzgrieznis 2. Kausveida dimanta ripa 3. Kausveida dimanta ripa ar atloku 4. Iekšējais atloks 5. Ripas aizsargs ar putekļu savācēju 6. Gultņa korpuss

**PIEZĪME:** Lai uzzinātu, kā uzstādīt ripas aizsargu ar putekļu savācēju, skatiet ripas aizsarga ar putekļu savācēju pamācību.

## Ripas aizsarga ar putekļu savācēju uzstādīšana griešanai

Tikai modelim GA048G / GA049G / GA050G

### Papildu piederumi

Ar izvēles piederumiem, darbarīku var izmantot akmens materiālu griešanai.

► **Att.28**

**PIEZĪME:** Lai uzzinātu, kā uzstādīt ripas aizsargu ar putekļu savācēju, skatiet ripas aizsarga ar putekļu savācēju pamācību.

## EKSPLUATĀCIJA

**ABRĪDINĀJUMS:** Strādājot ar darbarīku, nekad nepielieciet pārmērīgu spēku. Darbarīka svars rada pietiekamu spiedienu. Pārmērīgs spēks vai spiediens uz darbarīka var izraisīt ripas salūšanu, kas ir ļoti bīstami.

**ABRĪDINĀJUMS:** VIENMĒR nomainiet ripu, ja slīpēšanas laikā darbarīks nokrīt.

**ABRĪDINĀJUMS:** NEKAD netrieciet un nesitiet ripu pret apstrādājamo materiālu.

**ABRĪDINĀJUMS:** Izvairieties no ripas lēkāšanas un iekēršanās, it īpaši stūru, asu malu utt. apstrādē. Tas var izraisīt vadības zaudēšanu un atsitienu.

**ABRĪDINĀJUMS:** NEKĀDĀ GADĪJUMĀ neizmantojiet darbarīku ar koku zāģēšanas asmeņiem un citiem zāģu asmeņiem. Šādus asmeņus izmantojot slīpmašīnā, var rasties atsitiens, kura ietekmē var zaudēt vadību pār darbarīku un gūt traumas.

**UZMANĪBU:** Nekādā gadījumā neieslēdziet darbarīku, ja tas ir saskarē ar apstrādājamo materiālu, jo operators var gūt traumas.

**UZMANĪBU:** Darba laikā vienmēr lietojiet aizsargbrilles vai sejas aizsargu.

**UZMANĪBU:** Pēc darba vienmēr izslēdziet darbarīku un uzgaidiet, līdz ripa pilnīgi apstājas, pirms noliekat darbarīku.

**UZMANĪBU:** VIENMĒR stingri turiet darbarīku ar vienu roku uz korpusa un ar otru uz sānu roktura.

**PIEZĪME:** Divu funkciju ripu var izmantot gan slīpēšanai, gan griešanai.

Attiecībā uz slīpēšanu skatiet sadaļu "Slīpēšanas un smalkās slīpēšanas darbība" un attiecībā uz griešanu skatiet sadaļu "Abrazīvās griezējripas un dimanta ripas lietošana".

## Slīpēšana un līdzināšana ar smilšpapīru

► **Att.29**

Ieslēdziet darbarīku un tad nolaidiet slīpripu vai disku uz materiāla.

Slīpripas vai diska malu turiet apmēram 15 grādu leņķī pret apstrādājamo virsmu.

Jaunās slīpripas iestrādāšanas laikā nelietojiet darbarīku turpgaitas virzienā, citādi tas var iegriezties apstrādājamā materiālā. Kad slīpripas mala lietošanas gaitā ir noapaļojusies, slīpripu var izmantot darbam gan turpgaitas, gan atpakaļgaitas virzienā.

**Lietošanas piemērs: darbs ar kausveida dimanta ripu**

► **Att.30**

Turiet darbarīku horizontāli un pielieciet visu kausveida dimanta ripu apstrādājamā materiāla virsmai.

## Abrazīvās griezējriņas un dimanta riņas lietošana

### Papildu piederumi

**▲BRĪDINĀJUMS:** Neļaujiet slīpriņai iesprūst; neizmantojiet pārmērīgu spiedienu. Negrieziet pārāk dziļi. Riņas pārslogošana palielina slodzi un iespēju riņai sašķiebties vai aizķerties griezumā, kā arī atsitiena, riņas salūšanas un motora pārkarsēšanas iespējamību.

**▲BRĪDINĀJUMS:** Nesāciet griešanu, darbarīkam atrodoties apstrādājamajā virsmā. Ļaujiet riņai sasniegt pilnu ātrumu un uzmanīgi ievietojiet to griezumā, virzot darbarīku uz priekšu pāri apstrādājamajam materiāla virsmai. Riņa var aizķerties, iznākt no griezuma vai radīt atsitieni, ja mehānizētais darbarīks tiek iedarbināts, riņai atrodoties apstrādājamajā materiālā.

**▲BRĪDINĀJUMS:** Griešanas laikā nekad nemainiet slīpriņas leņķi. Pieliekot griezējriņai sāniski vērstu spēku (piemēram, slīpējot), riņa var saplaisāt un salūzt, radot smagas traumas.

**▲BRĪDINĀJUMS:** Dimanta riņa jālieto perpendikulāri griežamajam materiālam.

Darbības piemērs: darbs ar abrazīvo griešanas riņu  
► Att.31

Darbības piemērs: darbs ar dimanta riņu  
► Att.32

## Lietošana kopā ar kausveida stieplu suku

### Papildu piederumi

**▲UZMANĪBU:** Pārbaudiet kausveida stieplu suku darbību, darbinot darbarīku bez slodzes un nodrošinot, lai neviens neatrastos kausveida stieplu suku priekšā vai tās rotācijas plaknē.

**IEVĒRĪBAI:** Izvairieties no pārmērīga spēka piemērošanas, kas var salocīt stieples, lietojot kausveida stieplu suku. Tas var izraisīt priekšlaicīgu salūšanu.

Darbības piemērs: darbs ar kausveida stieplu suku  
► Att.33

## Lietošana kopā ar stieplu riņas suku

### Papildu piederumi

**▲UZMANĪBU:** Pārbaudiet stieplu riņas suku darbību, darbinot darbarīku bez slodzes un nodrošinot, lai neviens neatrastos stieplu riņas suku priekšā vai tās rotācijas plaknē.

**IEVĒRĪBAI:** Izvairieties no pārmērīga spiediena, kas var salocīt stieples, lietojot stieplu riņas suku. Tas var izraisīt priekšlaicīgu salūšanu.

Darbības piemērs: darbs ar stieplu suku riņu  
► Att.34

## Darbs ar vainagurbi

### Papildu piederumi

**▲UZMANĪBU:** Pārbaudiet vainagurbja darbību, darbinot darbarīku bez slodzes un nodrošinot, ka neviena persona neatrodas vainagurbja priekšā.

**IEVĒRĪBAI:** Darbības laikā neceliet darbarīku uz augšu. Tas var izraisīt priekšlaicīgu salūšanu.

Lietošanas piemērs: darbs ar vainagurbi  
► Att.35

## APKOPE

**▲BRĪDINĀJUMS:** Pirms darbarīka pārbaudes vai apkopes vienmēr pārliecinieties, ka darbarīks ir izslēgts un akumulatora kasetne ir izņemta.

**IEVĒRĪBAI:** Nekad neizmantojiet gazoļu, benzīnu, atšķaidītāju, spirtu vai līdzīgus šķidrumus. Tas var radīt izbalēšanu, deformāciju vai plaisas.

Lai saglabātu izstrādājuma DROŠU un UZTICAMU darbību, remontdarbus, apkopi un regulēšanu uzticiet veikt tikai Makita pilnvarotam vai rūpnīcas apkopes centram, un vienmēr izmantojiet tikai Makita rezerves daļas.

## Gaisa ventilācijas atveru tīrīšana

Gaisa ventilācijas atverēm jābūt tīrām. Regulāri tīriet darbarīka ventilācijas atveres, kā arī iekreiz, kad atveres nosprostojas.

► **Att.36:** 1. Izplūdes atvere 2. Ieplūdes atvere

No ieplūdes atveres noņemiet putekļu aizsargu un notīriet, lai gaisa cirkulācija būtu brīva.

► **Att.37:** 1. Putekļu aizsargs

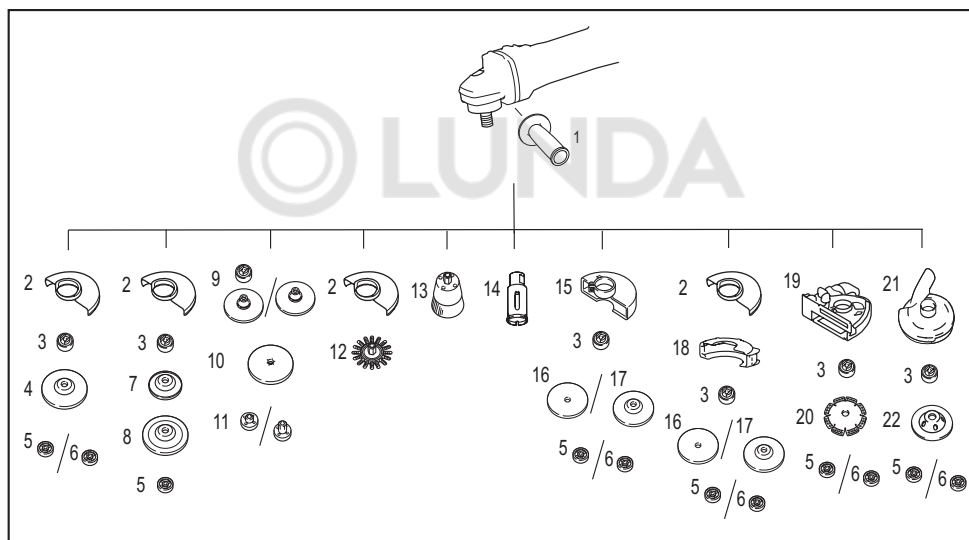
**IEVĒRĪBAI:** Kad putekļu aizsargs aizsērējis ar netīrumiem vai svešķermeņiem, iztīriet to. Ja darbarīku turpina lietot ar aizsērējušu putekļu aizsargu, darbarīku var sabojāt.

# LIETOJUMU UN PIEDERUMU KOMBINĀCIJA

## Papildu piederumi

**⚠UZMANĪBU:** Darbarīka lietošana ar nepareizu aizsargu var izraisīt tālāk uzskaitītos riskus.

- Izmantojot griezējripas aizsargu virsmas slīpēšanai, ripas aizsargs var saskarties ar apstrādājamo materiālu, apgrūtinot darbarīka vadību.
- Lietojot slīpripas aizsargu griešanas darbībām ar līmētām abrazīvām ripām un dimanta ripām, ir palielināts risks saskarties ar rotējošām ripām, izmestām dzirkstelēm un daļiņām, kā arī risks gūt ievainojumus no ripas fragmentiem ripas sairšanas gadījumā.
- Izmantojot griezējripas aizsargu vai slīpripas aizsargu virsmas apstrādei ar kausveida dimanta ripām, ripas aizsargs var saskarties ar apstrādājamo materiālu, apgrūtinot darbarīka vadību.
- Izmantojot griezējripas aizsargu vai slīpripas aizsargu ar ripas veida stieplu suku, kuras biezums ir lielāks nekā sadaļā **TEHNISKIE DATI** norādītais maksimālais biezums, stieples var aizķerties aiz aizsarga, izraisot stieplu nolūšanu.
- Ripas aizsargu ar putekļu savācēju izmantošana betona vai ķieģeļu materiālu griešanai vai virsmas apstrādei samazina saskares risku ar putekļiem.
- Lietojot divu funkciju (kombinētā slīpēšana un abrazīvā griešana) ar atloku stiprināmas ripas, izmantojiet tikai griezējripas aizsargu.



-	Lietojums	100 mm modelis	115 mm modelis	125 mm modelis	150 mm modelis
1	-	Sānu rokturis			
2	-	Ripas aizsargs (slīpripai)			
3	-	Iekšējais atloks			
4	Slīpēšana / smalkā slīpēšana	Slīpripa ar ieliektu centru/plāksņu disks			
5	-	Kontruzgrieznis			
6	-	-	„Ezynut” *1		
7	-	Balsta starplika			
8	Slīpēšana	Lokanā ripa			
9	-	Iekšējais atloks un gumijas starplika 76	Gumijas starplika 100	Gumijas starplika 115	Gumijas paliktņi 125
10	Smalkā slīpēšana	Abrazīvā ripa			
11	-	Smilšpapīra jeb smalkās slīpēšanas kontruzgrieznis			
12	Tīrīšana ar stieplu suku	Stieplu ripas suka			

-	Lietojums	100 mm modelis	115 mm modelis	125 mm modelis	150 mm modelis
13	Tīrīšana ar stieplu suku	Kausveida stieplu suka			
14	Caurumu izgriešana	Vainagurbis			
15	-	Ripas aizsargs (griešanas ripai)			
16	Griešana	Abrazīvā griezējripa/dimanta ripa			
17	Slīpēšana / griešana	Divu funkciju ripa			-
18	-	Piestiprināma griezējripas aizsarga papildierīce *2			
19	-	Ripas aizsargs ar putekļu savācēju griešanai *3			-
20	Griešana	Dimanta ripa			-
21	-	-	Slīpripas aizsargs ar putekļu savācēju *4		-
22	Slīpēšana	-	Kausveida dimanta ripa *4		-
-	-	Kontruzgriezņa atslēga			

**PIEZĪME:** \*1 Tikai darbarīkiem ar M14 vārpstas vītņi.

**PIEZĪME:** \*2 Piestiprināma griezējripas aizsarga papildierīce dažās valstīs nav pieejama. Plašāku informāciju skatiet piestiprināmās griezējripas aizsarga papildierīces lietošanas rokasgrāmatā.

**PIEZĪME:** \*3 Tikai modelim GA048G / GA049G / GA050G

Papildinformāciju skatiet katra aizsarga lietošanas rokasgrāmatā.

**PIEZĪME:** \*4 Tikai modelim GA049G / GA050G

Papildinformāciju skatiet katra aizsarga lietošanas rokasgrāmatā.

## PAPILDU PIEDERUMI

**⚠ UZMANĪBU:** Šādi piederumi un papildierīces tiek ieteiktas lietošanai ar šajā rokasgrāmatā aprakstīto Makita darbarīku. Izmantojot citus piederumus vai papildierīces, var tikt radīta traumu gūšanas bīstamība. Piederumu vai papildierīci izmantojiet tikai paredzētajam mērķim.

Ja jums vajadzīga palīdzība vai precīzāka informācija par šiem piederumiem, vērsieties savā tuvākajā Makita apkopes centrā.

- Makita oriģinālais akumulators un lādētājs
- Sadaļā „LIETOJUMU UN PIEDERUMU KOMBINĀCIJA” uzskaitītie piederumi

**PIEZĪME:** Daži sarakstā norādītie izstrādājumi var būt iekļauti instrumenta komplektācijā kā standarta piederumi. Tie dažādās valstīs var būt atšķirīgi.

## SPECIFIKACIJOS

Modelis:		GA048G	GA049G	GA050G	GA051G
Tinkamas šlifavimo diskas	Didž. disko skersmuo	100 mm	115 mm	125 mm	150 mm
	Didž. disko storis	6,4 mm	7,2 mm		6,4 mm
Tinkamas nupjovimo diskas	Didž. disko skersmuo	105 mm	115 mm	125 mm	150 mm
	Didž. disko storis	3,2 mm			3,0 mm
Tinkamas vielinis disko formos šepetėlis	Didž. disko skersmuo	100 mm	115 mm	125 mm	
	Didž. disko storis	20 mm			
Veleno sriegis		M10	M14 arba 5/8" (priklauso nuo šalies)		
Didž. veleno ilgis		18 mm	23 mm		
Sukiai be apkrovos (n <sub>0</sub> ) / vardinis greitis (n)		11 000 min <sup>-1</sup>			9 000 min <sup>-1</sup>
Bendrasis ilgis (su BL4040)		410 mm			
Grynasis svoris		2,8–5,2 kg	3,0–5,4 kg		3,1–4,7 kg
Nominali įtampa		Nuol. sr. 36 V–40 V maks.			

- Atlikame tęstinius tyrimus ir nuolatos tobuliname savo gaminius, todėl čia pateikiamos specifikacijos gali būti keičiamos be įspėjimo.
- Skirtingose šalyse specifikacijos gali skirtis.
- Svoris gali priklausyti nuo priedo (-ų), įskaitant akumuliatoriaus kasetę. Lengviausias ir sunkiausias deriniai pagal EPTA 2014 m. sausio mėn. procedūrą yra parodyti lentelėje.

### Tinkama akumuliatoriaus kasetė ir (arba) įkroviklis

Akumuliatoriaus kasetė	BL4020 / BL4025* / BL4040* / BL4050F* / BL4080F *: rekomenduojamas akumuliatorius
Įkroviklis	DC40RA / DC40RB / DC40RC

- Atsižvelgiant į gyvenamosios vietos regioną, kai kurios pirmiau nurodytos akumuliatoriaus kasetės ir įkrovikliai gali būti neprieinami.

**⚠️ JSPĖJIMAS:** Naudokite tik akumuliatoriaus kasetes ir įkroviklius, kurie nurodyti anksčiau. Naudojant bet kurias kitas akumuliatoriaus kasetes ir įkroviklius, gali kilti sužeidimo ir gaisro pavojus.

### Rekomenduojamas laidu prijungiamas maitinimo šaltinis

Nešiojamasis maitinimo šaltinis	PDC01 / PDC1200
---------------------------------	-----------------

- Atsižvelgiant į gyvenamosios vietos regioną, pirmiau nurodytas (-i) laidu prijungiamas (-i) maitinimo šaltinis (-iai) gali būti neprieinamas (-i).
- Prieš naudodami laidu prijungiamą maitinimo šaltinį, perskaitykite instrukciją ir ant jų pateiktus perspėjimus.

### Simboliai

Toliau yra nurodyti simboliai, kurie gali būti naudojami įrangai. Prieš naudodami įsitinkinkite, kad suprantate jų reikšmę.



Perskaitykite instrukcijų vadovą.



Užsidėkite apsauginius akinius.



Visada dirbkite laikydami dviem rankomis.



Vykdydami nupjovimo operacijas, nenaudokite disko apsaugo.



Taikoma tik ES šalims  
Kadangi įrangoje yra pavojingų komponentų, panaudota elektrinė ir elektroninė įranga, akumuliatoriai ir baterijos gali turėti neigiamą poveikio aplinkai ir žmonių sveikatai. Nešalinkite elektros ir elektroninių prietaisų ar baterijų kartu su buitinėmis atliekomis! Pagal Europos direktyvą dėl elektros ir elektroninės įrangos atliekų bei akumuliatorių ir baterijų ir panaudotų akumuliatorių ir baterijų bei jos pritaikymą nacionaliniams įstatymams, panaudota elektros ir elektroninė įranga, baterijos ir akumuliatoriai turi būti surenkami atskirai ir pristatomi į atskirą buitinių atliekų surinkimo punktą, kuris veikia pagal aplinkos apsaugos taisyklės. Tai rodo perbrauktas konteinerio ant ratukų simbolis, pateiktas ant įrangos.

## Numatytoji naudojimo paskirtis

Įrankis yra skirtas šlifuoti, šlifuoti šlifavimo popieriumi, šveisti vieliniu šepetiu, kiaurymėms pjauti, metalui ir akmeniui pjauti nenaudojant vandens.

## Triukšmas

Įprastas triukšmo A lygis, nustatytas pagal EN62841-2-3:

Modelis	Garso slėgio lygis ( $L_{pA}$ ): (dB (A))	Garso galios lygis ( $L_{WA}$ ): (dB (A))	Paklaida (K): (dB (A))
GA048G	84	92	3
GA049G	85	93	3
GA050G	85	93	3
GA051G	85	93	3

**PASTABA:** Paskelbta (-os) triukšmo reikšmė (-ės) nustatyta (-os) pagal standartinį testavimo metodą ir jį galima naudoti vienam įrankiui palyginti su kitu.

**PASTABA:** Paskelbta (-os) triukšmo reikšmė (-ės) taip pat gali būti naudojama (-os) norint preliminariai įvertinti triukšmo poveikį.

**⚠️ JSPĖJIMAS:** Dėvėkite ausų apsaugą.

**⚠️ JSPĖJIMAS:** Faktiškai naudojant elektrinį įrankį, keliamo triukšmo dydis gali skirtis nuo paskelbtos (-ų) reikšmės (-ių), priklausomai nuo būdų, kuriais yra naudojamas šis įrankis, ir ypač nuo to, kokio tipo ruošinys apdirbamas.

**⚠️ JSPĖJIMAS:** Siekdamai apsaugoti operatorių, būtinai įvertinkite saugos priemones, remdamiesi vibracijos poveikio įvertinimu esant faktinėms naudojimo sąlygoms (atsižvelgdami į visas darbo ciklo dalis, pavyzdžiui, ne tik kiek laiko įrankis veikia, bet ir kiek kartų jis yra išjungiamas bei kai jis veikia be apkrovų).

**⚠️ JSPĖJIMAS:** Šlifuojant plonus metalinius lakštus arba kitas lengvai vibruojančias didelio paviršiaus ploto konstrukcijas, bendrasis triukšmo lygis gali būti gerokai aukštesnis (iki 15 dB) nei deklaruojamos triukšmo emisijos vertės. Ant tokių ruošinių uždėkite sunkius ir lanksčius paklotus ar pan., kad sumažintumėte sklaidžiamą triukšmą.

Atsižvelkite į padidėjusį triukšmingumą tiek vertindami triukšmo poveikio pavojų, tiek ir rinkdamiesi adekvačias klausos apsaugos priemones.

## Vibracija

Vibracijos bendroji vertė (triašio vektorius suma) nustatyta pagal EN62841-2-3 standartą:

**Darbo režimas: paviršiaus šlifavimas naudojant normalią šoninę rankeną**

Modelis	Vibracijos emisija ( $a_{hv, AG}$ ): (m/s <sup>2</sup> )	Paklaida (K): (m/s <sup>2</sup> )
GA048G	8,2	1,5
GA049G	8,5	1,5
GA050G	8,9	2,2
GA051G	12,1	1,5

**Darbo režimas: paviršiaus šlifavimas naudojant antivibracinę šoninę rankeną**

Modelis	Vibracijos emisija ( $a_{hv, AG}$ ): (m/s <sup>2</sup> )	Paklaida (K): (m/s <sup>2</sup> )
GA048G	7,1	1,5
GA049G	7,7	1,5
GA050G	8,8	1,5
GA051G	12,7	1,6

**Darbo režimas: diskinis šlifavimas naudojant normalią šoninę rankeną**

Modelis	Vibracijos emisija ( $a_{hv, DS}$ ): (m/s <sup>2</sup> )	Paklaida (K): (m/s <sup>2</sup> )
GA048G	2,5 m/s <sup>2</sup> arba mažiau	1,5
GA049G	2,8	1,5
GA050G	2,6	1,5
GA051G	3,1	1,5

## Darbo režimas: diskinis šlifavimas naudojant antivibracinę šoninę rankeną

Modelis	Vibracijos emisija ( $a_{hv, ds}$ ) : (m/s <sup>2</sup> )	Paklaida (K): (m/s <sup>2</sup> )
GA048G	2,5 m/s <sup>2</sup> arba mažiau	1,5
GA049G	2,8	1,5
GA050G	2,5	1,5
GA051G	3,5	1,5

**PASTABA:** Paskelbta (-os) vibracijos bendroji (-osios) reikšmė (-ės) nustatyta (-os) pagal standartinį testavimo metodą ir jį galima naudoti vienam įrankiui palyginti su kitu.

**PASTABA:** Paskelbta (-os) vibracijos bendroji (-osios) reikšmė (-ės) taip pat gali būti naudojama (-os) norint preliminariai įvertinti vibracijos poveikį.

**⚠️ ĮSPĖJIMAS:** Faktiškai naudojant elektrinį įrankį, keliamos vibracijos dydis gali skirtis nuo paskelbtos (-ų) reikšmės (-ių), priklausomai nuo būdų, kuriais yra naudojamas šis įrankis, ir ypač nuo to, kokio tipo ruošinys apdirbamas.

**⚠️ ĮSPĖJIMAS:** Siekdami apsaugoti operatorių, būtina įvertinkite saugos priemones, remdamiesi vibracijos poveikio įvertinimu esant faktinėms naudojimo sąlygoms (atsižvelgdami į visas darbo ciklo dalis, pavyzdžiui, ne tik kiek laiko įrankis veikia, bet ir kiek kartų jis yra išjungiamas bei kai jis veikia be apkrovų).

**⚠️ ĮSPĖJIMAS:** Paskelbtasis keliamos vibracijos dydis galioja naudojant šį elektrinį įrankį pagrindiniams, numatytiems darbams atlikti. Tačiau, jeigu įrankis naudojamas kitiems darbams atlikti, keliamos vibracijos dydis gali būti kitoks.

## Atitikties deklaracijos

### Tiek Europos šalims

Atitikties deklaracijos įtrauktos į šios naudojimo instrukcijos A priedą.

## SAUGOS ĮSPĖJIMAI

### Bendrieji įspėjimai dirbant elektriniais įrankiais

**⚠️ ĮSPĖJIMAS** Perskaitykite visus saugos įspėjimus, nurodymus, peržiūrėkite paveikslėlius ir technines sąlygas, pateiktas su šiuo elektriniu įrankiu. Nesilaikant toliau pateiktų nurodymų, galima patirti elektros šoką, sunkų sužalojimą ir (arba) sukelti gaisrą.

### Išsaugokite visus įspėjimus ir instrukcijas, kad galėtumėte jas peržiūrėti ateityje.

Terminas „elektrinis įrankis“ pateiktuose įspėjimuose reiškia į maitinimo tinklą jungiamą (laidinį) elektrinį įrankį arba akumulatoriaus maitinamą (belaidį) elektrinį įrankį.

### Saugos įspėjimai dėl akumulatorinio šlifuklio naudojimo

Toliau pateikti bendrieji saugos įspėjimai šlifuojant, šlifuojant šlifavimo popieriumi, šveičiant vieliniu šepečiu ir atliekant nupjovimo darbus.

1. Šis elektrinis įrankis skirtas naudoti kaip šlifuklis, šlifotuvas šlifavimo popieriumi, vielinis šepetys, kiaurymių pjaustytuvas ir pjaustymo įrankis. Perskaitykite visus saugos įspėjimus, nurodymus, peržiūrėkite paveikslėlius ir specifikacijas, pateiktas su šiuo elektriniu įrankiu. Nesilaikant toliau pateiktų nurodymų, galima patirti elektros šoką, sunkų sužalojimą ir (arba) sukelti gaisrą.

2. Su šiuo elektriniu įrankiu nerekomenduojama atlikti tokių darbų kaip poliravimas. Atliekant darbus, kuriems elektrinis įrankis nebuvo sukurtas, gali kilti pavojus ir galima susižaloti.
3. Nekonvertuokite šio elektrinio įrankio siekdami eksploatuoti jį įrankio gamintojo nurodytu būdu. Dėl tokių konvertavimo darbų rizikuojama prarasti naudojamo įrankio kontrolę ir sunkiai susižaloti.
4. Nenaudokite priedų, kurių įrankio gamintojas konkrečiai nesuprojektavo ir nenudė naudoti su įrankiu. Net jei priedą galima pritaisyti prie jūsų elektrinio įrankio, tai vis tiek neužtikrina saugios eksploatacijos.
5. Vardinis priedo sukimosi greitis turi būti bent jau lygus maksimaliam greičiui, nurodytam ant elektrinio įrankio. Greičiau nei vardinis greitis besisukdami priedai gali sulūžti ir atsiskirti.
6. Priedo išorinis skersmuo ir storis turi atitikti elektrinio įrankio pajėgumo kategoriją. Netinkamo dydžio priedų negalima tinkamai apsaugoti ar valdyti.
7. Priedo įtvoro matmenys turi atitikti elektrinio įrankio montavimo įrangos matmenis. Priedai, kurie neatitinka elektrinio įrankio montavimo įrangos, bus nesubalansuoti, pernelyg vibruos ir gali tapti nevaldomi.
8. Nenaudokite sugadinto priedo. Kiekvieną kartą prieš naudodami įrankį patikrinkite jo priedus, pvz., ar šlifavimo diskai nenu daužyti ir nesutrūkę, ar nėra atraminių padų įtrūkių, plyšių, ar jie ne per daug nusidėvėję, ar nėra iškritusių vielinio šepečio vielų ir ar jos nenulūžusios. Jei elektrinis įrankis ar priedas numetamas, patikrinkite, ar jis nesugadintas, arba įdėkite nesugadintą priedą. Patikrinę ir įdėję priedą, atsitraukite nuo besisukancio priedo plokštumos ir paprašykite, kad pašaliniai asmenys atsitrauktų, tuomet vieną minutę leiskite elektriniam įrankiui veikti maksimaliu greičiu be apkrovos. Sugadinti priedai paprastai šiuo bandomuoju laikotarpiu sulūžta.

9. **Naudokite asmenines apsaugos priemones. Atsižvelgdami į naudojimo pobūdį, naudokite apsauginį veido skydelį arba apsauginius akinius. Kaip pridera, mėvėkite pirštines, dėvėkite apsaugos nuo dulkių kaukę, klausos apsaugos priemones ir dirbtuvės prijuostę, sulaikančią smulklius abrazyvus ar ruošinio skeveldras.** Akių apsaugos priemonės turi sulaukyti skriejančias nuolaužas, susidarantiąs atliekant įvairius darbus. Dulkių kaukė arba respiratorius turi tinkamai išfiltruoti konkretų darbą dirbant susidariusias daleles. Dėl intensyvaus ilgalaikio triukšmo galima prarasti klausą.
10. **Pašaliniai asmenys turi laikytis toliau nuo darbo vietos. Kiekvienas, užeinantis į darbo vietą, turi dėvėti asmenines apsaugos priemones.** Ruošinio ar sulūžusio priedo skeveldros gali nuskrieti toliau ir sužeisti asmenis, esančius už tuo metu atliekamo darbo zonos.
11. **Laikykite elektrinį įrankį tik už izoliuotų paviršių, jei pjovimo įrankis gali paliesti nematomus laidus.** Jei tvirtinimo detalės palies laidą su įtampa, elektrinio įrankio metalinėmis dalimis taip pat gali imti tekėti srovė, todėl operatorius gali patirti elektros šoką.
12. **Niekada nepadėkite šio elektrinio įrankio, kol jo priedas nėra visiškai sustojęs.** Greitai besisukantis priedas gali užkabinti paviršių ir jūs galite nebesuvaldyti elektrinio įrankio.
13. **Įrankis, nešamas prie šono, turi būti išjungtas.** Greitai besisukantis priedas gali atsitiktinai užkabinti jūsų drabužius ir jus sužaloti.
14. **Reguliariai valykite elektrinio įrankio oro ventiliacijos angas.** Variklio ventiliatorius traukia dulkes į korpuso vidų ir dėl per didelių metalo dulkių sankaupų gali kilti su elektros įranga susiję pavojūs.
15. **Nenaudokite elektrinio įrankio būdami netoliese liepsniųjų medžiagų.** Nuo kibirkščių šios medžiagos gali užsidegti.
16. **Nenaudokite priedų, kuriems reikalingi skystieji aušalai.** Naudojant vandenį ar kitą skystį, gali ištikti mirtina elektros trauma ar elektros šokas.

#### **Atatranka ir su ja susiję įspėjimai**

Atatranka yra staigi reakcija į suspaustą arba sugriebtą besisukantį diską, atraminį padėklą, šepetį ar kitą priedą. Suspaudimas arba sugnybimas sukelia staigų besisukančio priedo sulaikymą, dėl to nevaldomas elektrinis įrankis sulaikymo taške verčiamas judėti priešinga priedo sukimosi kryptimi.

Pavyzdžiui, jei šlifavimo diską suspaudžia ruošinys, disko kraštas, kuris patenka į suspaudimo tašką, gali įsmigti į medžiagos paviršių ir dėl to diskas atšoks.

Diskas gali atšokti į operatorių arba nuo jo; tai priklauso nuo disko sukimosi krypties suspaudimo metu. Tokiu atveju šlifavimo diskai gali papildomai suskilti.

Atatranka yra piktnaudžiavimo elektriniu įrankiu ir (arba) netinkamų darbo procedūrų ar sąlygų rezultatas, jos galima išvengti vadovaujantis toliau nurodytomis atsargumo priemonėmis.

1. **Tvirtai laikykite elektrinį įrankį abiem rankomis ir stovėkite taip, kad jūsų kūnas bei ranka netrukdytų priešintis atatrankos jėgoms.** Visada naudokite pagalbinę rankeną (jei yra), siekdami užtikrinti maksimalią atatrankos bei sukimo momento reakcijos kontrolę paleidimo metu. Operatorius gali suvaldyti sukimo momento reakciją bei atatrankos jėgą, jei imsis atitinkamų atsargumo priemonių.

2. **Niekada nelaikykite rankos šalia besisukančio priedo.** Priedas gali atsitrenkti į jūsų ranką.
3. **Nebūkite toje zonoje, kurios link judės elektrinis įrankis, jei įvyks atatranka.** Atatranka pastums įrankį priešinga disko sukimosi kryptimi suspaudimo taške.
4. **Būkite itin atidūs dirbdami prie kampų, aštrių kraštų ir pan. Venkite priedo atšokimo ir suspaudimo.** Besisukantis priedas gali užsikabinti ar atsitrenkti į kampus, aštrius kraštus ir sukelti atatranką, o dėl to galima prarasti įrankio kontrolę.
5. **Nenaudokite pjūklo grandinės, medžio raižymo disko, segmentuoto deimantinio disko, jeigu šoninis tarpelis yra didesnis nei 10 mm, arba dantytojo pjovimo disko.** Tokie diskai dažnai sukelia atatranką ir įrankio kontrolės problemų.

#### **Saugos įspėjimai, susiję su šlifavimo ir nupjovimo veiksmis**

1. **Naudokite tik tuos diskus, kurie nurodyti naudoti su elektriniu įrankiu, ir specialią tam diskui skirtą apsaugą.** Diskai, kurie netinka elektriniam įrankiui, negali būti tinkamai apsaugoti ir yra nesaugūs.
2. **Sumontuotų diskų su įspaustu centru šlifavimo paviršius privalo būti žemiau apsaugo krašto plokštumos.** Netinkamai sumontuoto disko, kuris kyšo pro apsaugo krašto plokštumą, nebus galima tinkamai apsaugoti.
3. **Apsaugas turi būti tinkamai pritvirtintas prie elektrinio įrankio. Siekiant apsaugoti kuo labiau, jis turi būti nustatytas taip, kad kuo mažesnė disko dalis galėtų paveikti operatorių.** Apsaugas padeda apsaugoti operatorių nuo atskilusių disko dalių ir netyčinio prisilietimo prie disko bei kibirkščių, kurios gali uždegti drabužius.
4. **Diskai turi būti naudojami tik nurodytiems darbams atlikti. Pavyzdžiui, nešlifaukite nupjovimo disko šonu.** Šlifavimo-nupjovimo diskai yra skirti periferinio šlifavimo operacijoms atlikti, todėl diskus veikiančios šoninės jėgos juos gali suskaldyti.
5. **Visada naudokite tik nesugadintas diskų junges, kurios pasirinktam diskui yra tinkamo dydžio bei formos.** Tinkamos diskų jungės prilaiko diską, mažindamos disko trūkimo tikimybę. Nupjovimo diskams skirtos jungės gali skirtis nuo šlifavimo diskų jungių.
6. **Nenaudokite nusidėvėjusių diskų nuo didesnių elektrinių įrankių.** Didiesiems elektriniams įrankiams skirti diskai netinka greičiau besisukančiam mažesniai įrankiui: jie gali sutrūkti.
7. **Naudojant dvejojos paskirties diskus, būtina naudoti tinkamą apsaugą, parenkamą pagal atliekamą darbą.** Jei nenaudosite tinkamo apsaugo, gali nebūti užtikrintas pagedaujamas apsaugos lygis ir dėl to galima sunkūs sužalojimai.

#### **Papildomi saugos įspėjimai, susiję su nupjovimo veiksmis**

1. **Nestrigdykite nupjovimo disko ir pernelyg nie nespaukite.** Nebandykite pajuti pernelyg giliai. Per stipriai spaudžiant, padidėja apkrova ir disko persikreipimo ar užstrigimo pūvyje tikimybė bei atatrankos ar disko lūžimo galimybė.

2. **Nebūkite besisukančio disko linijoje.** Kai diskas veiktimo taške juda nuo jūsų kūno, galima atitranka gali pastumti besisukančią diską ir elektrinį įrankį tiesiai į jus.
3. **Kai diskas užstrigo arba kai pjovimas dėl kitų priežasčių nutraukiamas, išjunkite elektrinį įrankį ir nejudinkite jo, kol diskas visiškai nenusostus sukty.** Niekada nebandykite išimti nupjovimo disko iš pjūvio, kai diskas sukasi, nes gali įvykti atitranka. Išstirkite ir imkitės tinkamų veiksmų, kad pašalintumėte disko užstrigimo priežastį.
4. **Nepradėkite iš naujo pjauti, kai diskas ruošinyje.** Leiskite, kad diskas pasiektų visą greitį ir tik tada atsargiai įleiskite jį į pjūvį. Diskas gali įstrigti, iššokti arba atsokti, jei elektrinis įrankis bus iš naujo paleistas diskui esant ruošinyje.
5. **Plokštes ar kitus per didelio dydžio ruošinius paremkite ir taip sumažinkite pavojų, kad diskas bus suspaustas ir įvyks atitranka.** Dideli ruošiniai linksta dėl savo pačių svorio. Ruošinį reikia paremti iš abiejų disko pusių, šalia pjovimo linijos ir prie ruošinio krašto.
6. **Būkite ypač atsargūs, kai darote „kišeninį“ pjūvį sienose ar kituose akliniuose plotuose.** Atsikėjęs diskas gali prapjauti dujų ar vandens vamzdžius, elektros laidus arba objektus, kurie gali sukelti atitranką.
7. **Nebandykite daryti kreivinio pjūvio.** Per stipriai spaudžiant, padidėja apkrova ir disko persikreipimo ar užstrigimo pjūvyje tikimybė, atitrankos ar disko lūžimo bei rimto susižalojimo galimybė.
8. **Prieš naudodami segmentuotą deimantinį diską, įsitikinkite, ar periferiniai tarpeliai tarp deimantinio disko segmentų yra 10 mm arba mažesni, tik neigiamo nuolydžio kampo.**

#### Specialūs saugos įspėjimai atliekant šlifavimo darbus šlifavimo popieriumi

1. **Naudokite tinkamo dydžio šlifavimo popieriaus diską.** Kai renkatės šlifavimo popierių, laikykitės gamintojo rekomendacijų. Didesnis šlifavimo popierius, kuris išsikiša per toli už šlifavimo padėklą ribų, gali sukelti įplėšimo pavojų, dėl to gali lūžti diskas arba įvykti atitranka.

#### Specialūs saugos įspėjimai dirbant su vieliniu šepetėčiu

1. **Atkreipkite dėmesį, kad vieliniai šereliai krinta iš šepetio netgi įprasto naudojimo metu.** Neperspaukite šerelių ir pernelyg nespaukite šepetio. Vieliniai šereliai gali lengvai pradurti ploną drabužį ir (arba) odą.
2. **Jei nurodyta naudoti vielinio šepetio apsaugą, neleiskite, kad vielinis diskas ar šepetys būtų naudojami be apsaugo.** Vielinio disko ar šepetio skersmuo dėl darbinio krūvio ir išcentrinį jėgų poveikio gali padidėti.

#### Papildomi saugos įspėjimai:

1. **Naudokite nuspauštus centrinius šlifavimo diskus, būtinai naudokite tik stiklo pluoštu sustiprintus diskus.**
2. **Su šiuo šlifuoekliu NIEKADA NENAUDOKITE taurelės formos akmeninio šlifavimo disko.** Šis šlifuoškis nėra skirtas naudoti su šio tipo diskais, todėl naudojant tokį gaminį galima sunkiai susižeisti.

3. **Nepažeiskite veleno, jungės (ypač montavimo paviršiaus) ir fiksavimo galvutės.** Dėl šių dalių pažeidimų gali lūžti diskas.
4. **Prieš įjungdami jungiklį patikrinkite, ar diskas nesiliečia su ruošiniu.**
5. **Prieš naudodami įrankį su ruošiniu, leiskite jam kurį laiką veikti be apkrovos.** Stebėkite, ar nėra vibracijos ar klībėjimo, rodančio, jog blogai surinkta ar kad blogai subalansuotas diskas.
6. **Šlifavimui naudokite nurodyto paviršiaus diską.**
7. **Nepalikite veikiančio įrankio.** Naudokite įrankį tik laikydamiesi rankomis.
8. **Nelieskite ruošinio iškart po naudojimo; jis gali būti itin karštas ir nudeginti odą.**
9. **Nelieskite priedų iš karto po naudojimo; jie gali būti itin karšti ir nudeginti odą.**
10. **Laikykitės gamintojo nurodymų dėl tinkamo diskų ir priedų sumontavimo bei naudojimo.** Netinkamai sumontavus ar naudojant, galima susižaloti.
11. **Su diskais elkitės ir juos sandėliuokite rūpestingai.**
12. **Nenaudokite atskirų mažinimo įvorių arba adapterių, skirtų didelių skylių šlifuojamiesiems diskams uždėti.**
13. **Naudokite tik šiam įrankiui nurodytas junges.**
14. **Jei naudojate įrankius, kuriuos skirti diskai su sriegiu, įsitikinkite, ar sriegis diske yra pakankamai ilgas, kad tiktų veleno ilgis.**
15. **Patikrinkite, ar ruošinys yra tinkamai palaikomas.**
16. **Atkreipkite dėmesį, kad išjungus įrankį diskas toliau sukasi.**
17. **Jei darbo vieta yra ypač karšta ir drėgna arba labai užteršta laidžiomis dulkelėmis, naudokite užtrumpinamą pertraukiklį (30 mA), kad užtikrintumėte naudojimo saugumą.**
18. **Nenaudokite įrankio su bet kokiomis medžiagomis, kuriose yra asbesto.**
19. **Kai naudojate nupjovimo diską, visuomet dirbkite su dulkes renkančiu disko apsaugu, jei jo reikalaujama pagal vietines taisykles.**
20. **Pjovimo diskų negalima spausti iš šonų.**
21. **Nenaudokite medžiaginių pirštinių darbo metu.** Medžiaginių pirštinių audinio pluoštų gali patekti į įrankį, todėl įrankis gali sugesti.
22. **Prieš dirbdami įsitikinkite, kad nėra jokio paslėpto daikto, pavyzdžiui, elektros vamzdžio, vandens vamzdžio arba dujų vamzdžio ruošinyje.** Antraip jis gali sukelti elektros smūgį, elektros arba dujų nuotėkį.
23. **Jei prie disko prijungta tvirtinimo dalis, šios nenuminkite.** Tvirtinimo dalies skersmuo turi būti didesnis nei fiksavimo veržlės, išorinės jungės ir vidinės jungės.
24. **Prieš montuodami šlifavimo diską, visada patikrinkite, ar tvirtinimo dalis neturi jokių defektų, pavyzdžiui, atplaisų arba įtrūkimų.**
25. **Tinkamai priveržkite fiksavimo veržlę.** Priveržus diską per daug, jis gali trūkti, o priveržus nepakankamai – virpėti.

## SAUGOKITE ŠIAS INSTRUKCIJAS.

**⚠️JSPĒJIMAS: NELEISKITE,** kad patogumas ir gaminio pažinimas (įgijamas pakartotinai naudojant) susilpnintų griežtą saugos taisyklių, taisytinių šiam gaminiui, laikymąsi. Dėl **NETINKAMO NAUDOJIMO** arba saugos taisyklių, kurios pateiktos šioje instrukcijoje, nesilaikymo galima rimtai susižeisti.

## Svarbios saugos instrukcijos, taikomos akumulatoriaus kasetei

1. Prieš naudodami akumulatoriaus kasetę, perskaitykite visas instrukcijas ir perspėjimus ant (1) akumuliatorių įkroviklio, (2) akumuliatorių ir (3) akumuliatorių naudojančio gaminio.
2. Neardykite ir negadinkite akumulatoriaus kasetės. Dėl to ji gali užsidegti, per daug įkaisti arba sprogti.
3. Jei įrankio darbo laikas žymiai sutrumpėjo, nedelsdami nutraukite darbą su įrankiu. Tai gali kelti perkaitimo, nudegimų ar net sprogdimo pavojų.
4. Jei elektrolitas pateko į akis, plaukite jas tyru vandeniu ir nedelsdami kreipkitės į gydytoją. Gali kilti regėjimo praradimo pavojus.
5. Neužtrumpinkite akumulatoriaus kasetės:
  - (1) Nelieskite kontaktų degiomis medžiagomis.
  - (2) Venkite laikyti akumulatoriaus kasetę kartu su kitais metaliniais daiktais, pavyzdžiui, vinimis, monetomis ir pan.
  - (3) Saugokite akumulatoriaus kasetę nuo vandens ir lietaus.Trumpasis jungimas akumuliatoriuje gali sukelti stiprią srovę, perkaitimą, galimus nudegimus ar net akumulatoriaus gedimą.
6. Nelaiikykite ir nenaudokite įrankio ir akumulatoriaus kasetės vietoje, kur temperatūra gali pasiekti ar viršyti 50 °C (122 °F).
7. Nedeginkite akumulatoriaus kasetės, net jei yra stipriai pažeista ar visiškai susidėvėjusi. Ugnyje akumulatoriaus kasetė gali sprogti.
8. Akumulatoriaus kasetės nekalkite, nepjaustykite ir nemėtykite ir taip pat jį netrancykite kietai daiktui. Taip elgiantis, ji gali užsidegti, per daug įkaisti arba sprogti.
9. Nenaudokite pažeisto akumulatoriaus.
10. Įdėtoms ličio jonų akumuliatoriams taikomi Pavojingų prekių teisės akto reikalavimai. Komeracinis transportas, pvz., trečiųjų šalių, prekių vežimo atstovų, turi laikytis specialaus reikalavimo ant pakuotės ir ženklavimo. Norėdami paruošti siūstiną prekę, pasitarkite su pavojingų medžiagų specialistu. Be to, laikykitės galimai išsamesnių nacionalinių reglamentų. Užklijuokite juosta arba padenkite atvirus kontaktus ir supakuokite akumuliatorių taip, kad ji pakuotėje nejudėtų.
11. Kai išmetate akumulatoriaus kasetę, išimkite ją iš įrankio ir išmeskite saugioje vietoje. Vadovaukitės vietos reglamentais dėl akumuliatorių išmetimo.

12. Baterijas naudokite tik su „Makita“ nurodytais gaminiais. Baterijas įdėjus į netinkamus gaminius gali kilti gaisras, gaminys pernelyg kaisti, kilti sprogdimas arba pratekėti elektrolitas.
13. Jei įrankis bus ilgą laiką nenaudojamas, akumuliatorių būtina išimti iš įrankio.
14. Darbo metu ir po akumulatoriaus kasetės gali būti įkaitusi ir dėl to nudeginti. Imdami akumulatoriaus kasetes, būkite atsargūs.
15. Tuojau pat po naudojimo nelieskite įrankio gnybtų, nes jie gali būti įkaitę tiek, kad nudegins.
16. Neleiskite, kad į akumulatoriaus kasetės gnybtus, angas ir griovelius patektų drožlių, dulkių ar žemių. Jos gali sukelti kaitimą, užsidegti, sprogti ir sukelti įrankio ar akumulatoriaus kasetės gedimą, dėl ko galima nusideginti ar susižaloti.
17. Jeigu įrankis nėra pritaikytas naudoti šalia aukštos įtampės elektros linijų, akumulatoriaus kasetės nenaudokite šalia aukštos įtampės elektros linijų. Dėl to gali sutrikti įrankio ar akumulatoriaus kasetės veikimas arba jie gali sugesti.
18. Laikykite akumuliatorių vaikams nepasiekiamoje vietoje.

## SAUGOKITE ŠIAS INSTRUKCIJAS.

**⚠️PERSPĒJIMAS:** Naudokite tik originalų „Makita“ akumuliatorių. Neoriginalaus „Makita“ arba pakeisto akumulatoriaus naudojimas gali nulemti gaisrą, asmens sužalojimą ir pažeidimą. Tai taip pat panaikina „Makita“ suteikiamą „Makita“ įrankio ir įkroviklio garantiją.

## Patarimai, ką daryti, kad akumulatoriaus veiktų kuo ilgiau

1. Pakraukite akumulatoriaus kasetę prieš jai visiškai išsikraunant. Visuomet nustokite naudoti įrankį ir pakraukite akumulatoriaus kasetę, kai pastebite, kad įrankio galia sumažėjo.
2. Niekada nekraukite iki galo įkrautos akumulatoriaus kasetės. Perkraunant trumpėja akumulatoriaus eksploatacijos laikas.
3. Akumulatoriaus kasetę kraukite esant kambario temperatūrai 10 - 40 °C. Prieš pradėdami krauti, leiskite įkaitusiai akumulatoriaus kasetei atvėsti.
4. Kai akumulatoriaus kasetės nenaudojate, ją išimkite iš įrankio ar įkroviklio.
5. Įkraukite akumulatoriaus kasetę, jei jos nenaudojate ilgą laiką (ilgiau nei šešis mėnesius).

# VEIKIMO APRAŠYMAS

**⚠️ JSPĖJIMAS:** Prieš pradėdami reguliuoti arba tikrinti įrankio veikimą, visuomet būtinai išjunkite įrankį ir išimkite akumuliatoriaus kasetę.

## Akumuliatoriaus kasetės uždėjimas ir nuėmimas

**⚠️ PERSPĖJIMAS:** Prieš įdėdami arba išimdami akumuliatoriaus kasetę, visada išjunkite įrankį.

**⚠️ PERSPĖJIMAS:** Įdėdami arba išimdami akumuliatoriaus kasetę, tvirtai laikykite įrankį ir akumuliatoriaus kasetę. Jeigu įrankį ir akumuliatoriaus kasetę laikysite netvirtai, jie gali išslįsti iš jūsų rankų, todėl įrankis ir akumuliatoriaus kasetė gali būti sugadinti, o naudotojas sužalotas.

- **Pav.1:** 1. Raudonas sandariklis (indikatorius)  
2. Mygtukas 3. Akumuliatoriaus kasetė

Jei norite išimti akumuliatoriaus kasetę, ištraukite ją iš įrankio, stumdami mygtuką, esantį kasetės priekyje.

Jei norite įdėti akumuliatoriaus kasetę, ant akumuliatoriaus kasetės esantį liežuvėlį sutapdinkite su korpuso esančiu griovėliu ir įstumkite į jai skirtą vietą. Įstatykite iki pat galo, kad spragtelėdama užsikisėtų. Jeigu matote raudoną sandariklį (indikatorių), kaip parodyta paveikslėlyje, ji nėra visiškai užfiksuota.

**⚠️ PERSPĖJIMAS:** Akumuliatoriaus kasetę visada įkiškite iki galo, kol nebematysite raudono sandariklio (indikatoriaus) Priešingu atveju ji gali atsitiktinai iškristi iš įrankio ir sužeisti jus arba aplinkinius.

**⚠️ PERSPĖJIMAS:** Nekiškite akumuliatoriaus kasetės jėga. Jeigu kasetė sunkiai lenda, ją kiškite netinkamai.

## Likusias akumuliatoriaus galios rodymas

Paspauskite akumuliatoriaus kasetės tikrinimo mygtuką, kad būtų rodoma likusi akumuliatoriaus energija. Maždaug trimis sekundėmis užsidegs indikatorių lemputės.

- **Pav.2:** 1. Indikatorių lemputės 2. Tikrinimo mygtukas

Indikatorių lemputės			Likusi galia
Šviečia	Nešviečia	Blyksi	
■	□	▬	
■ ■ ■ ■			75 - 100 %
■ ■ ■ □			50 - 75 %
■ ■ □ □			25 - 50 %
■ □ □ □			0 - 25 %
▬ □ □ □			Įkraukite akumuliatorių.
■ ■ □ □	□ □		Galimai įvyko akumuliatoriaus veikimo triktis.
□ □ ■ ■			

**PASTABA:** Rodmuo gali šiek tiek skirtis nuo faktinės energijos lygio – tai priklauso nuo naudojimo sąlygų ir aplinkos temperatūros.

**PASTABA:** Veikiant akumuliatoriaus apsaugos sistemai ims mirksėti pirmoji (toliausiai kairėje) indikatoriaus lemputė.

## Įrankio / akumuliatoriaus apsaugos sistema

Įrankyje įrengta įrankio / akumuliatoriaus apsaugos sistema. Ši sistema automatiškai atjungia variklio maitinimą, kad įrankis ir akumuliatorius ilgiau veiktų. Įrankis automatiškai išsijungs darbo metu esant vienai iš toliau nurodytų įrankio arba akumuliatoriaus darbo sąlygų:

### Apsauga nuo perkrovos

Kai įrankis / akumuliatorius naudojamas taip, kad nepaprastai padidėja elektros srovė, įrankis automatiškai išsijungia nepateikiant jokių indikatorių įspėjimų. Tokiu atveju išjunkite įrankį ir nutraukite darbą, dėl kurio kilo įrankio perkrova. Tada vėl įjunkite įrankį.

### Apsauga nuo perkaitimo

Kai įrankis / akumuliatorius perkaista, įrankis automatiškai išsijungia. Prieš vėl įjungdami įrankį, leiskite jam atvėsti.

### Apsauga nuo visiško išsekimo

Kai akumuliatoriaus įkrovos lygis nepakankamas, įrankis automatiškai išsijungia. Tokiu atveju ištraukite akumuliatorių iš įrankio ir įkraukite jį.

### Apsauginio stabdiklio išjungimas

Pakartotinai suveikus apsaugos sistemai, įrankis yra užblokuotas.

Tokiu atveju įrankis neįsijungia net ir pabandžius jį išjungti ir vėl įjungti. Norėdami išjungti apsauginį stabdiklį, išimkite akumuliatorių, įdėkite jį į akumuliatoriaus įkroviklį ir palaukite, kol jis bus įkrautas.

### Apsauga nuo kitų sutrikimų

Apsaugos sistema taip pat apsaugo nuo kitų sutrikimų, galinčių pažeisti įrankį, todėl automatiškai jį išjungia. Įrankiui laikinai sustojus arba veikimo metu išsijungus, imkitės visų toliau nurodytų veiksmų ir pašalinkite sutrikimo priežastis.

1. Išjunkite įrankį, tada vėl įjunkite, kad paleistumėte iš naujo.
2. Įkraukite akumuliatorių (-ius) arba jį (juos) pakeiskite kitu įkrautu (-ais) akumuliatoriumi (-iais).
3. Palaukite, kol įrankis ir akumuliatorius (-iai) atvės.

Jei atstačius apsaugos sistemą veikimas nepagerėja, kreipkitės į vietos „Makita“ techninės priežiūros centrą.

## Ašies fiksatorius

**⚠️ JSPĖJIMAS:** Niekada nejunkite ašies fiksatoriaus, kai juda velenas. Kitaip galite rimtai susižaloti arba apgadinti įrankį.

Paspauskite ašies fiksatorių, kad velenas nesisuktų, kai dedate ar nuimate priedus.

- **Pav.3:** 1. Ašies fiksatorius

## Jungiklio veikimas

**⚠ PERSPĖJIMAS:** Prieš dėdami keičiamąjį akumuliatorių į įrankį, visada patikrinkite, ar svirtinis jungiklis tinkamai veikia ir atleistas grįžta į padėtį OFF (išjungta).

**⚠ PERSPĖJIMAS:** Jūsų pačių saugumui šiame įrankyje įrengta atlaisvinimo svirtis, kuri neleidžia netyčia įjungti įrankio. **NIEKADA** nenaudokite veikiančio įrankio, jeigu nuspaudėte tik svirtinį jungiklį, nepatraukę atlaisvinimo svirtelės, **PRIEŠ** pradėdami vėl naudoti įrankį, atiduokite jį suremontuoti į mūsų įgaliotąjį techninės priežiūros centrą.

**⚠ PERSPĖJIMAS:** Negalima stipriai spausti svirtinio jungiklio, nenuspaudus atlaisvinimo svirtelės. Taip galima sugadinti jungiklį.

**⚠ PERSPĖJIMAS:** **NIEKADA** neužklijuokite lipnia juostele ir nepanaikinkite atlaisvinimo svirtelės paskirties bei funkcijos.

Įtaisyta atlaisvinimo svirtelė apsaugo nuo svirtinio jungiklio atsitiktinio nuspaudimo.

Norėdami įjungti įrankį, patraukite atlaisvinimo svirtelę savęs link ir paspauskite svirtinį jungiklį.

Norėdami išjungti įrankį, atleiskite svirtinį jungiklį.

► **Pav.4:** 1. Atlaisvinimo svirtelė 2. Svirtinis jungiklis

## Apsaugos nuo netyčinio įjungimo funkcija

Jei dedant akumulatoriaus kasetę jungiklis bus įjungtas, įrankis nepasileis.

Norėdami paleisti įrankį, išjunkite jungiklį ir vėl jį įjunkite.

## Aktyvaus grįžtamojo ryšio aptikimo technologija

Įrankio elektroniniai įtaisai aptinka situacijas, kuriose diskas arba priedas gali užstrigti. Tokie situacijose įrankis automatiškai išsijungia, kad velenas nebūtų toliau sukamas (ši funkcija neapsaugo nuo atatrakos).

Norėdami iš naujo įjungti įrankį, pirmiausia išjunkite jį, pašalinkite staigaus užstrigimo priežastį, tada vėl įjunkite įrankį.

## Tolygaus įjungimo funkcija

Tolygus įjungimas slopina įjungimo reakciją.

## Elektrinis stabdys

Elektrinis stabdys suaktyvinamas išjungus įrankį. Stabdys neveikia atjungus maitinimą, pvz., atsitiktinai ištraukus akumuliatorių, tačiau neišjungus jungiklio.

## SURINKIMAS

**⚠ JSPĖJIMAS:** Prieš pradėdami reguliuoti arba tikrinti įrankio veikimą, visuomet būtinai išjunkite įrankį ir išimkite akumulatoriaus kasetę.

## Šoninės rankenos montavimas

**⚠ PERSPĖJIMAS:** Prieš naudodami visuomet įsitikinkite, ar šoninė rankena yra patikimai uždėta.

Prisukite šoninę rankeną patikimai jos vietoje, kaip parodyta paveikslėlyje.

► **Pav.5**

## Disko saugiklio uždėjimas ar nuėmimas

**⚠ JSPĖJIMAS:** Kai naudojate diską su įgaubtu centru, poliravimo diską, lankstųjį diską arba vielinį disko formos šepetėlį, apsauginis disko gaubtas turi būti uždėtas ant įrankio taip, kad uždaras apsauginio gaubto šonas visuomet būtų atsuktas į operatorių.

**⚠ JSPĖJIMAS:** Įsitikinkite, kad disko saugiklis yra tvirtai užfiksuotas fiksavimo svirtelė vienoje iš disko saugiklio skylių.

**⚠ JSPĖJIMAS:** Naudodami šlifuojamąjį pjovimo / deimantinį diską, būtinai naudokite tik specialų apsauginį gaubtą, skirtą naudoti su pjovimo diskais.

## Nuspaustam centriniam diskui, poliravimo diskui, lanksčiajam diskui, vieliniam disko formos šepetėliui / šlifuojamajam nupjovimo diskui, deimantiniam diskui

1. Spausdami fiksavimo svirtelę, uždėkite disko saugiklį, išsikišimus sutapdindami su ant jo esančiomis įrantomis ties guolių dėžė.

► **Pav.6:** 1. Fiksavimo svirtelė 2. Įranta 3. Iškyša

2. Stumdami fiksavimo svirtelę A dalies link, prilaikykite disko apsaugą B dalis, kaip parodyta paveikslėlyje.

► **Pav.7:** 1. Disko apsaugas 2. Kiaurymė

**PASTABA:** Spauskite disko apsaugą tiesiai žemyn. Priešingu atveju negalėsite užfiksuoti disko apsaugo.

3. Stumdami fiksavimo svirtelę link A dalies, sukite disko apsaugą C dalies link ir tada pakeiskite disko apsaugo kamą pagal ruošinį taip, kad operatorius būtų apsaugotas. Sulygiuokite fiksavimo svirtelę su viena iš disko saugiklio angų ir tada atlaisvinkite fiksavimo svirtelę disko saugikliui užfiksuoti.

► **Pav.8:** 1. Disko apsaugas 2. Kiaurymė

Jei norite išimti disko saugiklį, atlikite montavimo procedūrą atvirkščia tvarka.

## Užspaudžiamasis pjovimo disko apsaugo priedas

### Pasirenkamas priedas

**PASTABA:** Vykdamt nupjovimo veiksmus, galima naudoti užspaudžiamąjį pjovimo disko apsaugo priedą su disko apsaugu (skirtu šlifavimo diskui).

Kai kuriose šalyse nesiūloma.

#### ► Pav.9

## Disko su įgaubtu centru arba poliravimo disko uždėjimas ir nuėmimas

### Pasirenkamas priedas

**⚠ JSPĖJIMAS:** Kai naudojate diską su įgaubtu centru arba poliravimo diską, apsauginis disko gaubtas turi būti uždėtas ant įrankio taip, kad uždaras apsauginio gaubto šonas visuomet būtų atsuktas į operatorių.

**⚠ JSPĖJIMAS:** Įsitikinkite, ar vidinės jungės tvirtinimo dalis puikiai telpa į disko su įgaubtu centru / poliravimo disko vidinį skersmenį. Sumontavus vidinę jungę netinkamoje pusėje, gali kilti pavojinga vibracija.

Uždėkite vidinę jungę ant veleno.

Vidinės jungės įranyta dalis būtinai turi būti uždėta ant tiesios dalies ties veleno apačia.

Uždėkite diską su įgaubtu centru / poliravimo diską ant vidinės jungės ir užsukite ant veleno antveržlę.

► **Pav.10:** 1. Fiksavimo veržlė 2. Diskas su įgaubtu centru 3. Vidinė jungė 4. Tvirtinimo dalis

Jei norite priveržti fiksavimo galvutę, stipriai paspauskite ašies fiksatorių taip, kad velenas negalėtų sukintis, tada pasinaudokite fiksavimo galvutės raktu ir patikimai priveržkite pagal laikrodžio rodyklę.

► **Pav.11:** 1. Fiksavimo galvutės raktas 2. Ašies fiksatorius

Jei norite nuimti diską, laikykitės uždėjimo procedūros atvirkščia tvarka.

## Lankščiojo disko uždėjimas ir nuėmimas

### Pasirenkamas priedas

**⚠ JSPĖJIMAS:** Visada naudokite pateiktą apsauginį gaubtą, kai ant įrankio uždėtas lankstusis diskas. Naudojimo metu diskas gali subyrėti, o apsauginis gaubtas sumažina galimybę susižeisti.

► **Pav.12:** 1. Fiksavimo veržlė 2. Lankstusis diskas 3. Atraminis pagrindas 4. Vidinė jungė

Vadovaukitės diskui su įspaustu centru taikomais nurodymais, bet ant disko taip pat uždėkite atraminį pagrindą.

## Šlifavimo disko uždėjimas ir nuėmimas

### Pasirenkamas priedas

**PASTABA:** Naudokite šiame vadove išvardintus papildomus šlifavimo priedus. Juos reikia įsigyti atskirai.

## Naudojant 100 mm (4") modelį

► **Pav.13:** 1. Šlifavimo priedo fiksuojamoji veržlė 2. Šlifavimo diskas 3. Guminis pagrindas 4. Vidinė jungė

1. Uždėkite vidinę jungę ant veleno.
2. Uždėkite ant ašies guminį pagrindą.
3. Uždėkite diską ant gumino pagrindo ir užsukite antveržlę ant veleno.
4. Laikykite veleną su ašies fiksatoriumi ir fiksuojamosios veržlės veržliarakčiu pagal laikrodžio rodyklę gerai priveržkite šlifavimo priedo fiksuojamąją veržlę. Jei norite nuimti diską, laikykitės uždėjimo procedūros atvirkščia tvarka.

## Kitiems nei 100 mm (4") modeliams

► **Pav.14:** 1. Šlifavimo priedo fiksuojamoji veržlė 2. Šlifavimo diskas 3. Guminis pagrindas

1. Uždėkite ant ašies guminį pagrindą.
2. Uždėkite diską ant gumino pagrindo ir užsukite antveržlę ant veleno.
3. Laikykite veleną su ašies fiksatoriumi ir fiksuojamosios veržlės veržliarakčiu pagal laikrodžio rodyklę gerai priveržkite šlifavimo priedo fiksuojamąją veržlę. Jei norite nuimti diską, laikykitės uždėjimo procedūros atvirkščia tvarka.

## „Ezynut“ įdėjimas ir išėmimas

### Pasirenkamas priedas

#### Tik įrankiams su veleno sriegiu M14.

Uždėkite vidinę jungę, šlifavimo diską ir veržlę „Ezynut“ ant veleno taip, kad ant „Ezynut“ esantis logotipas „Makita“ būtų nukreiptas į išorę.

► **Pav.15:** 1. „Ezynut“ 2. Šlifavimo diskas 3. Vidinė jungė 4. Velenas

Tvirtai įspauskite ašies fiksatorių ir priveržkite veržlę „Ezynut“, sukdami abrazyvinį diską pagal laikrodžio rodyklę tiek, kiek jis suksis.

► **Pav.16:** 1. Ašies fiksatorius

„Ezynut“ atlaisvinti sukite jos išorinį žiedą prieš laikrodžio rodyklę.

**PASTABA:** Jeigu tik rodyklė nukreipta įranto link, veržlę „Ezynut“ galima atsukti rankomis. Kitais atvejais, norint ją atsukti, reikia fiksavimo veržlės veržliarakčio. Įkiškite vieną veržliarakčio smaigą į angą ir sukite veržlę „Ezynut“ prieš laikrodžio rodyklę.

► **Pav.17:** 1. Rodyklė 2. Įranta

► **Pav.18**

## Šlifuojamojo pjovimo disko / deimantinio disko montavimas

### Pasirenkamas priedas

**▲JSPĖJIMAS:** Naudodami šlifuojamąjį pjovimo / deimantinį diską, būtina naudoti tik specialų apsauginį gaubtą, skirtą naudoti su pjovimo diskais.

**▲JSPĖJIMAS:** NIEKADA nenaudokite pjovimo disko šonams šlifuoti.

**▲PERSPĖJIMAS:** Įrengdami deimantinį diską, būtina sulygiuoti disko rodyklės kryptį su rodykle ant įrankio.

- **Pav.19:** 1. Fiksavimo veržlė 2. Šlifujamasis pjovimo diskas / deimantinis diskas 3. Vidinė jungė 4. Apsauginis gaubtas šlifujamajam pjovimo diskui / deimantiniam diskui

Norėdami sumontuoti diską su įgaubtu centru, vykdykite jam skirtas instrukcijas.

Fiksavimo veržlės ir vidinės jungės montavimo kryptis priklauso nuo disko tipo ir storio.

Žr. šiuos paveikslėlius.

## Naudojant 100 mm (4") modelį

Montuojant šlifuojamąjį pjovimo diską:

- **Pav.20:** 1. Fiksavimo veržlė 2. Šlifujamasis nupjovimo diskas (plonesnis nei 4 mm (5/32")) 3. Šlifujamasis nupjovimo diskas (4 mm (5/32") arba storesnis) 4. Vidinė jungė

Montuojant deimantinį diską:

- **Pav.21:** 1. Fiksavimo veržlė 2. Deimantinis diskas (plonesnis nei 4 mm (5/32")) 3. Deimantinis diskas (4 mm (5/32") arba storesnis) 4. Vidinė jungė

## Kitiems nei 100 mm (4") modeliams

Montuojant šlifuojamąjį pjovimo diską:

- **Pav.22:** 1. Fiksavimo veržlė 2. Šlifujamasis nupjovimo diskas (plonesnis nei 4 mm (5/32")) 3. Šlifujamasis nupjovimo diskas (4 mm (5/32") arba storesnis) 4. Vidinė jungė

Montuojant deimantinį diską:

- **Pav.23:** 1. Fiksavimo veržlė 2. Deimantinis diskas (plonesnis nei 4 mm (5/32")) 3. Deimantinis diskas (4 mm (5/32") arba storesnis) 4. Vidinė jungė

## Vielinio šepetėlio sumontavimas

### Pasirenkamas priedas

**▲PERSPĖJIMAS:** Nenaudokite apgadinto arba išbalansuoto vielinio šepetėlio. Naudojant apgadintą vielinį šepetėlį, prisilietus prie aplūžusių šepetėlio vielų galima susižeisti.

Apverskite įrankį, kad lengvai pasiektumėte veleną. Nuimkite nuo veleno visus priedus. Užsukite ant veleno vielinį taurelės formos šepetėlį ir priveržkite jį pateiktuoju veržliarakčiu.

- **Pav.24:** 1. Vielinis šepetėlis

## Vielinio disko formos šepetėlio sumontavimas

### Pasirenkamas priedas

**▲PERSPĖJIMAS:** Nenaudokite apgadinto arba išbalansuoto vielinio, disko formos šepetėlio. Naudojant apgadintą vielinį, disko formos šepetėlį, prisilietus prie aplūžusių šepetėlio vielų, galima susižeisti.

**▲PERSPĖJIMAS:** Naudodami vielinius, disko formos šepetėlius, VISADA naudokite apsauginį gaubtą, kuriame tilptų atitinkamo skersmens diskas. Naudojimo metu diskas gali subyrėti, o apsauginis gaubtas sumažina galimybę susižeisti.

Apverskite įrankį, kad lengvai pasiektumėte veleną. Nuimkite nuo veleno visus priedus. Užsukite vielinį disko formos šepetėlį ant veleno ir priveržkite veržliarakčiais.

- **Pav.25:** 1. Vielinis disko formos šepetėlis

## Tuščiavidurio grąžto įrengimas

### Pasirenkamas priedas

Apverskite įrankį, kad lengvai pasiektumėte veleną. Nuimkite nuo veleno visus priedus. Užsukite tuščiaavidurį grąžtą ant veleno ir priveržkite pateiktu veržliarakčiu.

- **Pav.26:** 1. Tuščiaaviduris grąžtas

## Dulkes renkančio disko apsaugo įrengimas šlifavimui

### Tik modeliui GA049G / GA050G

#### Pasirenkamas priedas

Naudodami pasirenkamus priedus, galite naudoti šį įrankį betono paviršiumi lyginti.

**▲PERSPĖJIMAS:** Dulkes renkančio disko saugiklis subalansuotam deimantiniam diskui skirtas naudoti tik lyginant betoninį paviršių su subalansuotu deimantiniu disku. Nenaudokite šio saugiklio su jokių kitų pjovimo priedu ar bet kuriam kitam tikslui.

**▲PERSPĖJIMAS:** Prieš dirbdami įsitikinkite, kad vakuuminis valymo įrenginys prijungtas prie įrankio ir įjungtas.

Apverskite įrankį ir įrenkite dulkes renkantį disko apsaugą.

Sumontuokite vidinę jungę ant veleno.

Sumontuokite taurelės tipo deimantinį diską ant vidinės jungės ir priveržkite fiksuojamą veržlę ant veleno.

- **Pav.27:** 1. Fiksavimo veržlė 2. Taurelės tipo deimantinis diskas 3. Taurelės tipo su įvore deimantinis diskas 4. Vidinė jungė 5. Dulkes renkantis disko saugiklis 6. Guolių dėžė

**PASTABA:** Informacijos apie tai, kaip pritvirtinti dulkes renkantį disko apsaugą, rasite jo vadove.

## Dulkes renkančio disko apsaugos įrengimas nupjovimui

Tik modeliui GA048G / GA049G / GA050G

### Pasirenkamas priedas

Naudojami pasirenkamuosius priedus, galite šiuo įrankiu pjauti akmenį.

► Pav.28

**PASTABA:** Informacijos apie tai, kaip pritvirtinti dulkes renkančių disko apsaugą, rasite jo vadove.

## NAUDOJIMAS

**⚠ JSPĖJIMAS:** Dirbant įrankiu niekada nereikėtų naudoti jėgos. Įrankio svoris sukelia pakankamą spaudimą. Jėgos naudojimas ir per didelis spaudimas kelia disko lūžimo pavojų.

**⚠ JSPĖJIMAS:** VISUOMET pakeiskite diską, jei įrankis iškrito šlifavimo metu.

**⚠ JSPĖJIMAS:** NIEKADA nedaužykite disko į ruošinį.

**⚠ JSPĖJIMAS:** Venkite disko atšokimų ir užkliuvimų, ypač kai apdorojate kampus, aštrius kraštus ir pan. Dėl to galima nesuvaldyti įrankio ir jis gali atšokti.

**⚠ JSPĖJIMAS:** NIEKADA nenaudokite įrankio su medžio pjovimo ašmenimis ir kitomis pjūklo geležtėmis. Tokius ašmenis naudojant su šlifuotuvu dažnai įvyksta atatranka, dėl kurios įrankis tampa nevaldomas ir gali sužeisti žmogų.

**⚠ PERSPĖJIMAS:** NIEKADA nejunkite įrankio, kai jis liečiasi su ruošiniu, kadangi galite susižeisti.

**⚠ PERSPĖJIMAS:** Dirbdami visuomet dėvėkite apsauginius akinius arba veido skydelį.

**⚠ PERSPĖJIMAS:** Panaudoję įrankį visuomet jį išjunkite ir prieš padėdami įrankį palaukite, kol diskas visiškai sustos.

**⚠ PERSPĖJIMAS:** VISUOMET laikykite įrankį tvirtai, vieną ranką uždėję ant korpuso, o kitą – ant šoninės rankenos.

**PASTABA:** Šlifavimo ir nupjovimo operacijoms atlikti galima naudoti dvejopos paskirties diską.

Žr. „Šlifavimas ir šlifavimas švitrinio popieriumi“, kur aprašomas šlifavimas, ir žr. „Šlifuojamojo pjovimo disko / deimantinio disko naudojimas“, kur aprašomas nupjovimas.

## Šlifavimas ir šlifavimas švitrinio popieriumi

► Pav.29

Įjunkite įrankį ir tada diską apdirbkite ruošinį. Laikykite disko kraštą pakreiptą apie 15° laipsnių kampą į ruošinio paviršių.

Naudojimo metu apšilimo laikotarpiu nedirbkite šlifuokliu pakreipimo į priekį kryptimi, kadangi jis gali įpjauti ruošinį. Kai disko kraštą naudojant suapvalėja, disku galima dirbti kryptimis į priekį ir atgal.

Naudojimo pavyzdys: darbas taurelės tipo deimantiniu disku

► Pav.30

Laikydami įrankį horizontaliai, apdorokite ruošinį visu taurelės tipo deimantiniu disku.

## Šlifuojamojo pjovimo disko / deimantinio disko naudojimas

### Pasirenkamas priedas

**⚠ JSPĖJIMAS:** Nespauskite disko ir nenaudokite pernelyg didelio slėgio. Nemėginkite atlikti pernelyg gilių pjūvių. Pernelyg spaudžiant diską, padidėja apkrova ir tikimybė, kad diskas persikreips arba įstrigs pjūvyje; taip pat atsiranda atatrankos, disko lūžimo ir variklio perkaitimo galimybė.

**⚠ JSPĖJIMAS:** Nepradėkite pjauti atrėmę diską į ruošinį. Palaukite, kol diskas ims sukstis visu greičiu, ir atsargiai nuleiskite jį į pjūvį, stumdami įrankį pirmyn ruošinio paviršiumi. Jeigu elektrinį įrankį paleisite ruošinyje, diskas gali įstrigti, pasislinkti arba atšokti.

**⚠ JSPĖJIMAS:** Pjaudami niekada nekeiskite disko kampo. Spaudžiant pjovimo diską iš šono (pvz., šlifuojant), diskas gali įtrūkti ar sulūžti, sukeldamas pavojų susižeisti.

**⚠ JSPĖJIMAS:** Deimantinį diską reikia naudoti tik nukreipus jį statmenai pjaujamai medžiagai.

Naudojimo pavyzdys: darbas šlifuojamoju nupjovimo disku

► Pav.31

Naudojimo pavyzdys: darbas deimantiniu disku

► Pav.32

## Vielinio, taurelės formos šepetėlio naudojimas

### Pasirenkamas priedas

**⚠ PERSPĖJIMAS:** Patikrinkite, kaip veikia vielinis šepetėlis, paleidę įrankį veikti be apkrovų ir įsitikinę, kad niekas nestovi priešais arba vienoje linijoje su vieliniu šepetėliu.

**PASTABA:** Nespauskite pernelyg stipriai, kadangi naudojant vielinį šepetėlį gali sulinkti šereliai. Šepetėlis gali sulūžti pirma laiko.

Naudojimo pavyzdys: vielinio šepetėlio naudojimas

► Pav.33

## Vielinio, disko formos šepetėlio naudojimas

### Pasirenkamas priedas

**⚠ PERSPĖJIMAS:** Patikrinkite, kaip veikia vielinis, disko formos šepetėlis, paleidę įrankį veikti be apkrovų ir įsitikinę, kad niekas nestovi priešais arba vienoje linijoje su vieliniu, disko formos šepetėliu.

**PASTABA:** Nespauskite pernelyg stipriai, kadangi naudojant vielinį disko formos šepetėlį gali sulinkti šereliai. Šepetėlis gali sulūžti pirma laiko.

Naudojimo pavyzdys: darbas vieliniu disko formos šepetėliu

► Pav.34

## Tuščiavidurio grąžto naudojimas

### Pasirenkamas priedas

**⚠ PERSPĖJIMAS:** Patikrinkite, kaip veikia tuščiaaviduris grąžtas, paleidę įrankį veikti be apkrovos, ir užtikrinkite, kad niekas nestovėtų priešais tuščiaavidurį grąžtą.

**PASTABA:** Darbo metu nepakreipkite įrankio. Kitaip jis gali sulūžti pirma laiko.

Naudojimo pavyzdys: tuščiaavidurio grąžto naudojimas

► Pav.35

## TECHNINĖ PRIEŽIŪRA

**⚠ ĮSPĖJIMAS:** Visuomet įsitikinkite, ar įrankis yra išjungtas ir akumuliatoriaus kasetė yra nuimta prieš atlikdami apžiūrą ir priežiūrą.

**PASTABA:** Niekada nenaudokite gazolino, benzino, tirpiklio, spirito arba panašių medžiagų. Gali atsirasti išblukimų, deformacijų arba įtrūkimų.

Kad gaminys būtų SAUGUS ir PATIKIMAS, jį taisyti, apžiūrėti ar vykdyti bet kokią kitą priežiūrą ar derinimą turi įgaliotasis kompanijos „Makita“ techninės priežiūros centras; reikia naudoti tik kompanijos „Makita“ pagamintas atsargines dalis.

## Oro ventilacijos angų valymas

Prižiūrėkite, kad įrankis ir jo oro angos būtų švarios. Reguliariai išvalykite įrankio oro angas arba tada, kai jos užsikemša.

► **Pav.36:** 1. Oro išleidimo anga 2. Oro įleidimo anga

Nuimkite gaubtelį nuo dulkių nuo oro įėjimo angos ir nuvalykite jį, kad oras galėtų laisvai cirkuluoti.

► **Pav.37:** 1. Gaubtelis nuo dulkių

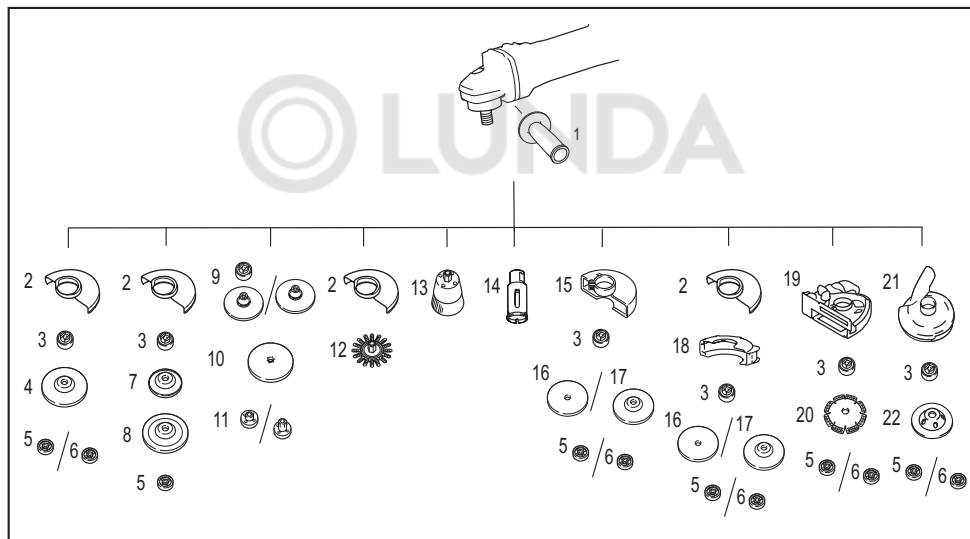
**PASTABA:** Nuvalykite gaubtelį nuo dulkių, kai jis užsikemša dėl dulkių arba pašalinių medžiagų. Toliau naudojant įrankį, kai gaubtelis nuo dulkių užsikimšęs, įrankis gali sugesti.

# NAUDOJIMO SRIČIŲ IR PRIEDŲ DERINYS

## Pasirenkamas priedas

**▲PERSPĖJIMAS:** Naudojant įrankį su netinkamais apsaugais, gali kilti toliau nurodytų pavojų.

- Naudojant nupjovimo disko apsaugą paviršinio šlifavimo darbams vykdyti, disko apsaugas gali liestis su ruošiniu ir prastinti kontrolę.
- Naudojant šlifavimo disko apsaugą nupjovimo klijuotais šlifuojamaisiais diskais ir deimantiniais diskais darbams vykdyti, didėja besisukančių diskų poveikio, kibirkščių ir dalelių rizika, pvz., diskui lūžus ir išskriejus jo fragmentų.
- Naudojant nupjovimo disko apsaugą arba šlifavimo disko apsaugą paviršiaus apdorojimo taurelės tipo deimantiniais diskais darbams vykdyti, disko apsaugas gali liestis su ruošiniu ir prastinti kontrolę.
- Naudojant nupjovimo disko apsaugą arba šlifavimo disko apsaugą su disko tipo vieliniu šepetėliu, kurio storis didesnis nei didžiausias storis, nurodytas skirsnyje SPECIFIKACIJOS, vielutės gali užsikabinti už apsaugo ir nutrūkti.
- Naudojant dulkes renkančią disko apsaugą betono arba mūro nupjovimo ir paviršiaus apdorojimo operacijoms vykdyti, mažėja dulkių poveikis.
- Naudojant dvejopos paskirties (šlifavimo ir šlifuojamojo nupjovimo) ant jungės montuojamus diskus, galima naudoti tik nupjovimo disko apsaugą.



-	Naudojimo režimas	100 mm modelis	115 mm modelis	125 mm modelis	150 mm modelis
1	-	Šoninė rankena			
2	-	Disko apsauga (šlifavimo diskui)			
3	-	Vidinė jungė			
4	Šlifavimas / šlifavimas švitrininiu popieriumi	Diskas su įgaubtu centru / poliravimo diskas			
5	-	Fiksavimo veržlė			
6	-	-	„Ezynut“ *1		
7	-	Atraminis pagrindas			
8	Šlifavimas	Lankstusis diskas			
9	-	Vidinė jungė ir guminis tarpiklis 76	Guminis padas 100	Guminis padas 115	Guminis padas 125
10	Šlifavimas švitrininiu popieriumi	Šlifavimo diskas			
11	-	Šlifavimo priedo fiksuojamoji veržlė			

-	Naudojimo režimas	100 mm modelis	115 mm modelis	125 mm modelis	150 mm modelis
12	Apdorojimas vieliniu šepetėliu	Vielinis disko formos šepetėlis			
13	Apdorojimas vieliniu šepetėliu	Vielinis šepetėlis			
14	Gręžimas	Tuščiaviduris gražtas			
15	-	Disko apsaugas (nupjovimo diskui)			
16	Nupjovimas	Šlifuojamasis pjovimo diskas / deimantinis diskas			
17	Šlifavimas / nupjovimas	Dveju paskirties diskas			-
18	-	Užspaudžiamasis pjovimo disko apsaugo priedas *2			
19	-	Dulkes renkančio disko apsaugas nupjovimui *3			-
20	Nupjovimas	Deimantinis diskas			-
21	-	-	Dulkes renkantis disko apsaugas šlifavimui *4		-
22	Šlifavimas	-	Taurelės tipo deimantinis diskas *4		-
-	-	Fiksavimo galvutės raktas			

**PASTABA: \*1** Tik įrankiams su M14 suklio sriegiu.

**PASTABA: \*2** Kai kuriose valstybėse pjovimo disko apsaugo priedas nesiūlomas. Išsamiau skaitykite užspaudžiamo pjovimo disko apsaugo priedo naudojimo instrukcijoje.

**PASTABA: \*3** Tik modeliui GA048G / GA049G / GA050G

Išsamiau skaitykite kiekvieno apsaugo naudojimo instrukcijoje.

**PASTABA: \*4** Tik modeliui GA049G / GA050G

Išsamiau skaitykite kiekvieno apsaugo naudojimo instrukcijoje.

## PASIRENKAMI PRIEDAI

**⚠ PERSPĖJIMAS:** Šiuos papildomus priedus arba įtaisus rekomenduojama naudoti su šioje instrukcijoje nurodytu „Makita“ bendrovės įrankiu. Naudojant bet kokius kitus papildomus priedus arba įtaisus, gali kilti pavojus sužeisti žmones. Naudokite tik nurodytam tikslui skirtus papildomus priedus arba įtaisus.

Jeigu norite daugiau sužinoti apie tuos priedus, kreipkitės į artimiausią „Makita“ techninės priežiūros centrą.

- Originalus „Makita“ akumuliatorius ir įkroviklis
- Priedai, pateikti sk. NAUDOJIMO SRIČIŲ IR PRIEDŲ DERINYS

**PASTABA:** Kai kurie sąraše esantys priedai gali būti pateikti įrankio pakuotėje kaip standartiniai priedai. Jie įvairiose šalyse gali skirtis.

## TEHNILISED ANDMED

Mudel:		GA048G	GA049G	GA050G	GA051G
Sobiv lihvketas	Max ketta läbimõõt	100 mm	115 mm	125 mm	150 mm
	Max ketta paksus	6,4 mm	7,2 mm		6,4 mm
Sobiv lõikeketas	Max ketta läbimõõt	105 mm	115 mm	125 mm	150 mm
	Max ketta paksus	3,2 mm			3,0 mm
Sobiv ketastraathari	Max ketta läbimõõt	100 mm	115 mm	125 mm	
	Max ketta paksus	20 mm			
Võlli keere	M10	M14 või 5/8" (riigiti erinev)			
Max võllipikkus	18 mm	23 mm			
Koormuseta kiirus (n <sub>0</sub> ) / Nimipöörlemiskiirus (n)	11 000 min <sup>-1</sup>			9 000 min <sup>-1</sup>	
Üldpikkus (koos BL4040)	410 mm				
Netokaal	2,8 – 5,2 kg	3,0 – 5,4 kg		3,1 – 4,7 kg	
Nimipinge	Alaisvool 36 V – 40 V max				

- Meie pideva uuringu- ja arendusprogrammi tõttu võidakse tehnilisi andmeid muuta ilma sellest ette teatamata.
- Tehnilised andmed võivad riigiti erineda.
- Kaal võib erineda olenevalt lisaseadistest, kaasa arvatud akukassettist. Kergeim ja raskeim kombinatsioon EPTA-protseduuri 01/2014 kohaselt on toodud tabelis.

### Sobiv akukassett ja laadija

Akukassett	BL4020 / BL4025* / BL4040* / BL4050F* / BL4080F *: Soovituslik aku
Laadija	DC40RA / DC40RB / DC40RC

- Mõned eespool loetletud akukassetid ja -laadijad ei pruugi olla teie riigis saadaval.

**⚠ HOIATUS:** Kasutage ainult ülalpool loetletud akukassette ja laadureid. Muude akukassettide ja laadurite kasutamine võib tekitada vigastusi ja/või tulekahju.

### Soovitatud juhtmega ühendatav toiteallikas

Portatiivne akukomplekt	PDC01 / PDC1200
-------------------------	-----------------

- Eespool loetletud juhtmega ühendatavad toiteallikad ei pruugi olla teie riigis saadaval.
- Enne juhtmega ühendatava toiteallika kasutamist lugege neil olevaid juhiseid ja ettevaatusabinõusid.

### Sümbolid

Alljärgnevalt kirjeldatakse tingimärke, mida võidakse seadmel kasutada. Enne seadme kasutamist tehke endale selgeks nende tähendus.



Lugege juhendit.



Kandke kaitseprille.



Kasutage töötamisel alati kaht kätt.



Ärge kasutage kettakaitset lõikamiseks.



Ni-MH  
Li-ion

Ainult EL-i riikide puhul  
Seadmes sisalduvate ohtlike osade tõttu võivad elektri- ja elektroonikaseadmete jäätmed, akud ja patareid avaldada negatiivset mõju keskkonnale ja inimeste tervisele.

Elektri- ja elektroonikaseadmeid ega akusid ei tohi kõrvaldada koos olmejäätmetega!

Euroopa elektri- ja elektroonikaseadmete jäätmete, akude ja patareide ning nende jäätmete direktiivi ja riiklikku õigusesse ülevõtmise kohaselt tuleb elektri- ja elektroonikaseadmete, akude ja patareide jäätmed koguda eraldi ning viia eraldiseisvasse olmejäätmete kogumispunkti, mis tegutseb kooskõlas keskkonnakaitse eeskirjadega. Sellele osutab seadmele paigaldatud läbikriipsutatud ratastega prügikasti sümbol.

## Kavandatud kasutus

Tööriist on ette nähtud metallide ja kivimaterjali veeta käimiseks, lihvimiseks, traatharjamiseks, avade lõikamiseks ja lõikamiseks.

## Müra

Tüüpiline A-korrigeeritud müratase, määratud standardi EN62841-2-3 kohaselt:

Mudel	Helirõhutase ( $L_{pA}$ ): (dB(A))	Helivõimsuse tase ( $L_{wA}$ ): (dB(A))	Määramatus (K): (dB(A))
GA048G	84	92	3
GA049G	85	93	3
GA050G	85	93	3
GA051G	85	93	3

**MÄRKUS:** Deklareeritud müra väärtust (väärtuseid) on mõõdetud kooskõlas standardse katsemeetodiga ning seda võib kasutada ühe seadme võrdlemiseks teisega.

**MÄRKUS:** Deklareeritud müra väärtust (väärtuseid) võib kasutada ka mürataseme esmaseks hindamiseks.

**⚠️HOIATUS:** Kasutage kõrvakaitsmeid.

**⚠️HOIATUS:** Müratase võib elektritööriista tegelikus kasutamise ajal erineda deklareeritud väärtust(t) est olenevalt tööriista kasutusviisidest ja eriti töödeldavast toorikust.

**⚠️HOIATUS:** Rakendage operaatori kaitsmiseks kindlasti piisavaid ohutusabinõusid, mis põhinevad hinnangulisel müratasemel tegelikus tööolukorras (võttes arvesse tööperioodi kõiki osasid, näiteks korrad, kui seade lülitatakse välja ja seade töötab tühikäigul, lisaks tööajale).

**⚠️HOIATUS:** Õhukese pleki või muude suurepinnaliste kergesti vibreerivate struktuuride lihvimine võib tekitada palju kõrgemat mürataset (kuni 15 dB) kui deklareeritud müraemissiooni väärtused.

Pange nendele töödeldavatele detailidele rasked painduvad summutusmatid või muu sarnane vahend müraemissiooni vähendamiseks.

Võtke suuremat mürataset arvesse nii müraga kokkupuute riski hindamisel kui ka sobiva kuulmiskaitsevahendi valimisel.

## Vibratsioon

Vibratsiooni koguväärtus (kolmeteljeliste vektorite summa) määratud standardi EN62841-2-3 kohaselt:

**Töörežiim:** pinna lihvimine tavalise küljkäepideme kasutamisega

Mudel	Vibratsioonitase ( $a_{h, AG}$ ): (m/s <sup>2</sup> )	Määramatus (K): (m/s <sup>2</sup> )
GA048G	8,2	1,5
GA049G	8,5	1,5
GA050G	8,9	2,2
GA051G	12,1	1,5

**Töörežiim:** pinna lihvimine vibratsioonikindla küljkäepideme kasutamisega

Mudel	Vibratsioonitase ( $a_{h, AG}$ ): (m/s <sup>2</sup> )	Määramatus (K): (m/s <sup>2</sup> )
GA048G	7,1	1,5
GA049G	7,7	1,5
GA050G	8,8	1,5
GA051G	12,7	1,6

**Töörežiim:** ketalihvimine tavalise küljkäepideme kasutamisega

Mudel	Vibratsiooniemissioon ( $a_{h, DS}$ ): (m/s <sup>2</sup> )	Määramatus (K): (m/s <sup>2</sup> )
GA048G	2,5 m/s <sup>2</sup> või vähem	1,5
GA049G	2,8	1,5
GA050G	2,6	1,5
GA051G	3,1	1,5

## Töörežiim: ketaslihvimine vibratsioonikindla külgkäepideme kasutamisega

Mudel	Vibratsiooniemissioon ( $a_{w, \text{GB}}$ ): ( $\text{m/s}^2$ )	Määramatus (K): ( $\text{m/s}^2$ )
GA048G	2,5 $\text{m/s}^2$ või vähem	1,5
GA049G	2,8	1,5
GA050G	2,5	1,5
GA051G	3,5	1,5

**MÄRKUS:** Deklareeritud vibratsiooni koguväärtust (-väärtuseid) on mõõdetud kooskõlas standardse katsemeetodiga ning seda võib kasutada ühe seadme võrdlemiseks teisega.

**MÄRKUS:** Deklareeritud vibratsiooni koguväärtust (-väärtuseid) võib kasutada ka mürataseme esmaseks hindamiseks.

**⚠️HOIATUS:** Vibratsioonitase võib elektritööriista tegelikkuses kasutamise ajal erineda deklareeritud väärtus(t)est olenevalt tööriista kasutusviisidest ja eriti töödeldavast toorikust.

**⚠️HOIATUS:** Rakendage operaatori kaitsmiseks kindlasti piisavaid ohutusabinõusid, mis põhinevad hinnangulisel müratasemel tegelikus töösituatsioonis (võttes arvesse tööperioodi kõiki osasid, näiteks korrad, kui seade lülitatakse välja ja seade töötab tühikäigul, lisaks tööajale).

**⚠️HOIATUS:** Deklareeritud vibratsiooniheite väärtust kasutatakse elektritööriista peamisest otstarbest lähtudes. Kui tööriista kasutatakse muul otstarbel, võib vibratsiooniheite väärtus olla erinev.

## Vastavusdeklaratsioon

### Ainult Euroopa riikide puhul

Vastavusdeklaratsioonid on selle juhendi A-lisaks.

## OHUTUSHOIATUSED

### Üldised elektritööriistade ohutushoiatused

**⚠️HOIATUS** Lugege läbi kõik selle elektritööriistaga kaasas olevad ohutushoiatused, juhised, illustatsioonid ja tehnilised andmed. Alljärgnevate juhiste eiramine võib põhjustada elektrilöögi, süttimise ja/või raske kehavigastuse.

## Hoidke edaspidisteks viide- teks alles kõik hoiatused ja juhtnöörid.

Hoiatustes kasutatud termini „elektritööriist“ all peetakse silmas elektriga töötavaid (juhtmega) elektritööriistu või akuga töötavaid (juhtmeta) elektritööriistu.

### Juhtmeta lihviija ohutushoiatused

Käimise, lihvimise, traatharjamise või lõikamise ohutushoiatused

1. See elektritööriist on mõeldud kasutamiseks käia, lihviija, traatharja, avalõikuri või lõiketööriistana. Lugege läbi kõik selle elektritööriistaga kaasas olevad ohutushoiatused, juhised, illustatsioonid ja tehnilised andmed. Alljärgnevate juhiste eiramine võib põhjustada elektrilöögi, süttimise ja/või raske kehavigastuse.
2. Selle elektritööriistaga ei tohi poleerida. Elektritööriistaga mitteettenähtud tööde tegemine võib tekitada ohtliku olukorra ja põhjustada kehavigastusi.

3. Ärge modifitseerige seda elektritööriista nii, et seda saaks kasutada töödeks, mille jaoks tööriista tootja pole seda projekteerinud ja ette näinud. Selline modifitseerimine võib kaasa tuua juhitavuse kaotuse ja rasked kehavigastused.
4. Ärge kasutage tarvikuid, mida tööriista tootja ei ole spetsiaalselt selle tööriista jaoks projekteerinud ja ette näinud. Asjaolu, et tarviku saab elektritööriista külge kinnitada, ei taga ohutut töötamist.
5. Tarviku nimikiirus peab olema vähemalt sama suur kui elektritööriistale märgitud maksimaalne kiirus. Tarvikud, mis töötavad nimikiirusest suuremal kiirusel, võivad katki minna ja laiali paiskuda.
6. Tarviku välisdiameeter ja paksus peavad jääma teie elektritööriista jaoks ettenähtud parameetrite nimiaandmete vahemikku. Valede mõõtudega tarvikud ei ole tööriistas nõuetekohaselt kaitstud ega juhitavad.
7. Tarvikukinnituse mõõtmed peavad vastama elektritööriista kinnituste mõõtmetele. Elektritööriista kinnitustega mittesobivad tarvikud lähevad tasakaalust välja, vibreerivad tugevalt ja võivad põhjustada juhitavuse kaotust.
8. Ärge kasutage kahjustunud tarvikut. Enne iga kasutamist kontrollige, ega tarvikul, näiteks abrasiivkettal pole laaste või mõrasid, tugi- tallal mõrasid, rebendeid ega liigset kulumist, traatharjal lahtiseid või purunenud traate. Kui elektritööriist või tarviku kukub maha, kontrollige nende kahjustusi või paigaldage ilma kahjustusteta tarvik. Pärast tarviku kontrollimist ja paigaldamist peate nii teie kui ka kõrvalisevad isikud hoidma pöörleva tarviku tasapinnast eemale. Seejärel laske elektritööriistal ühe minuti vältel ilma koormuseta täiskiiirusel töötada. Kahjustunud tarvikud purunevad tavaliselt selle katseaja jooksul.

9. **Kandke isikukaitsevahendeid. Kandke olevalt kasutusest näokaitset, kaitseprille või prille. Vajaduse korral kandke tolmumaski, kõrvaklappe, kindaid ja põlle, mis suudab kaitsta väikeste abrasiivosakeste või töödeldava detaili kildude eest.** Silmade kaitsevahend peab katma eri kasutuste käigus tekkivate lenduvate jäätmete eest. Tolmumask või respiraator peavad suutma filtreerida kindla kasutuse käigus tekkivaid osakesi. Pikaajaline kokkupuude suure müraga võib põhjustada kuulmislangust.
10. **Hoidke kõrvalseisjad tööpiirkonnast ohutus kauguses. Kõik, kes sisenevad tööpiirkonda, peavad kandma isikukaitsevahendeid.** Töödeldava detaili või purunenud tarviku osakesed võivad eemale paiskuda ja põhjustada vigastusi ka väljaspool vahetut tööpiirkonda.
11. **Hoidke elektritööriista ainult isoleeritud käepidemetest, kui töötate kohtades, kus löikekra võib puutuda kokku varjatud juhtmetega.** Kokkupuude voolu all oleva juhtmega võib pingestada ka elektritööriista katmata metallosad ning kasutaja võib saada elektrilöögi.
12. **Ärge pange elektritööriista maha enne, kui tarviku liikumine pole täielikult peatunud.** Pöörlev tarvik võib pinnal liikumist jätkata ja elektritööriista kaotada juhitavuse.
13. **Ärge laske elektritööriistal seda käes kandes töötada.** Juhuslik kokkupuude pöörleva tarvikuuga võib põhjustada riiete kinnijäämist ja tarviku kehasse tõmmata.
14. **Puhastage elektritööriista õhuavasid regulaarselt.** Mootori ventilaator tõmbab tolmu korpusesse ja metallit-olmu liigne kogunemine võib põhjustada elektriõhtu.
15. **Ärge kasutage elektritööriista tuleohtlike materjalide lähedal.** Need materjalid võivad sädemetest süttida.
16. **Ärge kasutage tarvikuid, mis nõuavad jahutusvedelikke.** Vee või teiste vedelate jahutusvahendite kasutamine võib põhjustada surmava elektrilöögi või elektrišoki.

#### **Tagasilöökk ja sellega seotud hoiatused**

Tagasilöök on pöörleva ketta, tugitala, harjase või muu tarviku kinnikiilumisel või takerdumisel tekkiv järsk reaktsioon. Kinnikiilumine või takerdumine põhjustab pöörleva lisatarviku kiire peatumise, mis omakorda sunnib juhitamatut elektritööriista pöörlema kinnijäämispunkti lisatarviku pöörlemise suunale vastassuunas. Näiteks kui abrasiivketas kiilib või takerdub töödeldavas detaili, võib kinnikiilumiskohta sisenedud ketta serv materjali pinda tungida, mille tagajärjel ketas hüppab välja või põhjustab tagasilöögi. Löikeketas võib hüpata kasutaja poole või kasutajast eemale olenevalt ketta liikumissuunast kinnikiilumiskohas. Abrasiivkettad võivad sellistes olukordades ka murduda. Tagasilöökk tekib elektritööriista väärkasutamisel ja/või mittevastava tööprotseduuri või -tingimuste korral ning on vältidav, kui rakendate alljärgnevalt esitatud ettevaatusabinõusid.

1. **Hoidke elektritööriistast mõlema käega tugevasti kinni ning seadke keha ja käed sellisesse asendisse, mis võimaldab tagasilöögi juures vastu panna. Kasutage alati abikäepidet, kui see on olemas, et käivitamisel tagasilöögi ja pöördemomendi reaktsiooni maksimaalselt kontrolli all hoida.** Asjakohaste ettevaatusabinõude rakendamisel saab kasutaja pöördemomendi ja tagasilöögi jõudu kontrolli all hoida.

2. **Ärge pange kunagi oma kätt pöörleva tarviku lähedale.** Tarvik võib üle käe tagasi lüüa.
3. **Ärge viige keha asendisse, kus see jääb elektritööriista tagasilöögi piirkonda.** Tagasilöögi tõttu liigub tööriist kinnikiilumiskohas ketta liikumissuunale vastupidises suunas.
4. **Olge nurkades, teravate servade juures jne eriti ettevaatlik. Vältige tarviku pörkumist ja kinnikiilumist.** Nurgad, teravad servad ja pörkumine kipuvad põhjustama pöörleva tarviku kinnijäämist, juhitavuse kaotamist ja tagasilööki.
5. **Ärge kinnitage tööriista külge saeketti, puunikerdustera, segmenteeritud teemantketast, mille servasüvendite laius on suurem kui 10 mm, ega hambulist saetera.** Sellised terad põhjustavad sagedast tagasilööki ja juhitavuse kaotust.

#### **Lihvimis- ja löikamistöde ohutushoiatused**

1. **Kasutage vaid kettatüüpe, mis on teie elektritööriistale ette nähtud, ja valitud ketale mõeldud spetsiaalset kaitset.** Kettaid, mille jaoks elektritööriist pole mõeldud, ei saa asjakohaselt kaitsta ja need ei ole ohutud.
2. **Õhema keskosaga lihvketaste lihvpind peab jääma kaitsepiirde tasapinnalt allapoole.** Kui ketas on valesti paigaldatud ja ulatub kaitsepiirde tasapinnast välja, ei ole võimalik seda piisavalt kaitsta.
3. **Kaitse peab olema elektritööriista külge turvaliselt kinnitatud ja asetatud maksimaalselt turvaliselt – et kasutaja suunas oleks kõige väiksem katmata kettapind.** Kaitse aitab kaitsta kasutajat purunenud kettatükkide, kettaga juhusliku kokkupuutesse sattumise ja rõivaid süüdita võivate sädemete eest.
4. **Kettaid tohib kasutada ainult ettenähtud otstarbel.** Näiteks ärge kasutage löikeketa külge lihvimiseks. Abrasiivlöikekettad on ette nähtud äärepindade lihvimiseks, nende ketastele rakedatavad külgjõud võivad ketta purustada.
5. **Kasutage ainult terveid kettaäärkuid, mis on valitud ketta jaoks sobiva suuruse ja kujuga.** Sobivad kettaäärkud toetavad kettast, vähendades ketta purunemise ohtu. Löikeketaсте äärkud võivad lihvketaste äärikutest erineda.
6. **Ärge kasutage suuremate elektritööriistade kulunud kettaid.** Suurema elektritööriista jaoks mõeldud ketas ei sobi väiksema tööriista suurema kiirusega ja võib puruneda.
7. **Kaheotstarbeliste ketaste kasutamisel kasutage alati tehtava töö jaoks sobivat kaitset.** Vale kaitsme kasutamine ei pruugi anda soovitud kaitsetaset ning see võib põhjustada raskeid vigastusi.

#### **Löikeoperatsioonide lisaohutushoiatused**

1. **Ärge „kiiluge“ löikeketast ega rakendage liigest survet. Ärge püüdke teha liiga sügavat lõiget.** Ketta ülepingestamine suurendab ketta koormust ja vastuvõtlikkust väändumisele või löikes kinnijäämisele ning tagasilöögi esinemise või ketta purunemise võimalust.
2. **Ärge viige oma keha pöörleva kettaga ühele jonele ega ketta taha.** Kui ketas liigub kasutamise ajal teie kehast eemale, võib võimalik tagasilöök pöördketast ja elektritööriista otse teie poole liigutada.

3. Kui ketas on kinni jäänud või löikamine mingil põhjusel katkestatakse, lülitage elektritööriist välja ja hoidke seda liikumatult kuni ketta täieliku seiskumiseni. Ärge kunagi püüdke eemaldada löikeketast löikest, kui ketas liigub, sest muidu võib tekkida tagasilööki. Selgitage välja ketta kinnijäämise põhjus ja võtke tarvitusele meetmed põhjuse kõrvaldamiseks.
4. Ärge taaskäivitage löikeoperatsiooni, kui ketas on töödeldavas detailis. Laske kettal saavutada täiskiirus ja sisenege seejärel uuesti ettevaatlikult löikesse. Kui elektritööriist taaskäivitatakse töödeldavas detailis, võib ketas kinni jääda, ülespoole liikuda või põhjustada tagasilöögi.
5. Ketta kinnikiilumise ja tagasilöögi riski vähendamiseks toestage paneelid või suuremõtmeline töödeldav detail. Suured töödeldavad detailid kipuvad oma raskuse all rippu vajuma. Toed tuleb paigutada töödeldava detaili alla löikejoone ja töödeldava detaili serva lähedale ketta mõlemale küljele.
6. Olge eriti ettevaatlik, kui löikate „taskuid“ olemasolevatesse seintesse või muudesse kaetud kohtadesse. Esileulatuv ketas võib lõigata gaasi- või veetorusid, elektrijuhtmeid ja esemeid, mis võivad põhjustada tagasilööki.
7. Ärge püüdke teha kõveraid löikeid. Ketta ülepिंगestamine suurendab ketta koormust ja vastuvõtlikkust väändumisele või löikes kinnijäämisele ning tagasilöögi esinemise või ketta purunemise võimalikkust, mis võivad põhjustada raskeid vigastusi.
8. Enne segmentidega servaga teemantketta kasutamist veenduge, et teemantketta serva segmentide vahe oleks 10 mm või vähem ning et tegemist oleks kindlasti löiketera negatiivse esinurgaga.
4. Veenduge, et lihvketas ei puutuks enne tööriista sisselülitamist vastu töödeldavat detaili.
5. Enne tööriista kasutamist tegelikus töökeskkonnas laske sellel mõni aeg koormuseta töötada. Jälgige vibratsiooni või vibamist, mis võib tähendada ebaõiget paigaldust või halvasti tasakaalustatud ketast.
6. Lihvige selleks ette nähtud kettapinna osaga.
7. Ärge jätke tööriista käima. Käivitage tööriist ainult siis, kui hoiate seda käes.
8. Ärge puutuge töödeldavat detaili vahetult pärast töötlemist; see võib olla väga kuum ja põhjustada põletushaavu.
9. Ärge puutuge tarvikuid vahetult pärast töötlemist; need võivad olla väga kuumad ja põhjustada põletushaavu.
10. Ketaste ja tarvikute õigeks paigaldamiseks ja kasutamiseks järgige tootja juhiseid. Vale paigaldus ja kasutamine võib kaasa tuua kehavigastused.
11. Käsitsege ja ladustage kettaid hoolikalt.
12. Ärge kasutage suureauguliste lihvketaste kinnitamiseks sobituspukse või adaptereid.
13. Kasutage ainult äärikuid, mis on mõeldud kasutamiseks selle tööriistaga.
14. Tööriistade korral, kus kasutatakse keermetatud auguga kettaid, jälgige, et ketta keerme pikkus oleks piisav vööliie kinnitamiseks.
15. Kontrollige, kas töödeldav detail on korralikult kinnitatud.
16. Pöörake tähelepanu asjaolule, et ketas jätkab pöörlemist ka pärast tööriista väljalülitamist.
17. Kui töökoht on äärmiselt kuum ja niiske või tugevalt saastatud elektrit juhtiva tolmuga, siis tuleb operaatori ohutuse tagamiseks kasutada lühisvoolukaitset (30 mA).

#### Lihvimise ohutushoiatused

1. Kasutage sobiva suurusega lihvkettapaberit. Lihvpaberi valikul järgige tootjate soovitusi. Lihvtallast liiga palju kaugemale ulatuv suurem lihvpaber on rebenemisohtlik ja võib põhjustada ketta kinnijäämist, purunemist või tagasilööki.
18. Ärge kasutage tööriista asbesti sisaldavate materjalide töötlemiseks.
19. Löikeketta kasutamisel kasutage alati tolmukurguriga kettakaitset, kui kohalikud nõuded seda ette näevad.
20. Löikekettaid ei tohi külgsuunas suruda.
21. Ärge kasutage töötamise ajal riidest töökindaid. Riidest kinnaste kiud võivad sattuda tööriista sisse ja põhjustada tööriista purunemise.
22. Enne töötamist veenduge, et töödeldavas detailis ei oleks selliseid varjatud esemeid nagu elektri-, vee- või gaasitoru. Nende olemasolu võib põhjustada elektrilööki, elektri- või gaasileket.
23. Kui kettale on paigaldatud vaheseib, ärge eemaldage seda. Vaheseibi läbimõõt peab olema suurem kui fiksaatormutril, välisel äärikul ja sisemisel äärikul.
24. Enne lihvketta paigaldamist kontrollige alati, ega vaheseibil ei esine kõrvalekaldeid, nt murdunud kilde või pragusid.
25. Keerake fiksaatormutter korralikult kinni. Ketta ülepिंगutamine võib põhjustada purunemist ja ebapiisavat pingutamist, mis põhjustada laperdamist.

#### Lisaturvahoitused:

1. Kui kasutate nõgusa keskosaga lihvkettaid, veenduge, et kasutate ainult klaaskiuga tugevdatud kettad.
2. ÄRGE KUNAGI kasutage selle lihvijaga koos kausslihvkettaid. Seda lihvijat ei kasutata koos nimetatud ketastega, sest need võivad põhjustada tõsise kehavigastuse.
3. Ärge vigastage vööli, äärikut (eriti selle paigalduspinda) ega fiksaatormutrit. Nende osade kahjustused võivad põhjustada ketta purunemise.

## HOIDKE JUHEND ALLES.

**⚠HOIATUS:** ÄRGE UNUSTAGE järgida toote ohutusnõudeid mugavuse või toote (korduskasutamise saavutatud) hea tundmise tõttu. VALE KASUTUS või kasutusjuhendi ohutuseeskirjade eiramine võib põhjustada tervisekahjustusi.

## Akukassetiga seotud olulised ohutusjuhised

1. Enne akukasseti kasutamist lugege (1) akulaadija, (2) akul ja (3) seadmel olevad juhtnõuad ja hoiatused läbi.
2. Ärge võtke akukasseti lahti ega muutke seda. See võib põhjustada tulekahju, liigset kuumust või plahvatusi.
3. Kui tööaeg järsult lüheneb, siis lõpetage kohe kasutamine. Edasise kasutamise tulemuseks võib olla ülekuumenemine, võimalikud põletused või isegi plahvatus.
4. Kui elektrolüüti satub silma, siis loputage silma puhta veega ja pöörduge koheselt arsti poole. Selline õnnetus võib põhjustada pimedaksjäämist.
5. Ärge tekitage akukassetis lühist:
  - (1) Ärge puutuge klemme elektrijuhtidega.
  - (2) Ärge hoidke akukasseti tööriistakastis koos metallsemetega, nagu naelad, mündid jne.
  - (3) Ärge tehke akukasseti märjaks ega jätke seda vihma kätte.Aku lühis võib põhjustada tugevat elektrivoolu, ülekuumenemist, põletusi ning ka seadet tõsiselt kahjustada.
6. Ärge hoidke ega kasutage tööriista ja akukasseti kohtades, kus temperatuur võib tõusta üle 100 °C (122 °F).
7. Ärge põletage akukasseti isegi siis, kui see on saanud tõsiselt vigastada või on täiesti kulumud. Akukassetit võib tules plahvatada.
8. Ärge naelutage, löigake, muljuge, visake akukasseti ega laske sel kukkuda, samuti ärge lööge selle pihta kõva esemega. Selline tegevus võib põhjustada tulekahju, liigset kuumust või plahvatusi.
9. Ärge kasutage kahjustatud akut.
10. Sisalduvatele liitium-ioonakudele võivad kohalduda ohtlike kaupade õigusaktide nõuded.

Kaubanduslikul transportimisel, näiteks kolmandate poolte või transportidiettevõtete poolt, tuleb järgida pakendil ja siltidel toodud erinõudeid. Transportimiseks ettevalmistamisel on vajalik pidada nõu ohtliku materjali ekspertidega. Samuti tuleb järgida võimalike riiklike regulatsioonide üksikasjalikumaid nõudeid.

Katke teibiga või varjake avatud kontaktid ja pakendage aku selliselt, et see ei saaks pakendis liikuda.
11. Kasutuskõlbmatuks muutunud akukasseti kõrvaldamiseks eemaldage see tööriistast ja viige selleks ette nähtud kohta. Järgige kasutuskõlbmatuks muutunud aku kõrvaldamisel kohalikke eeskirju.

12. Kasutage akusid ainult Makita heaks kiidetud toodetega. Akude paigaldamine selleks mitte ettenähtud toodetele võib põhjustada süttimist, ülemäärast kuumust, plahvatamist või elektrolüüdi lekkimist.
13. Kui tööriista ei kasutata pika ajaperioodi jooksul, tuleb aku tööriistast eemaldada.
14. Kasutamise ajal ja pärast kasutamist võib akukassetit kuumeneda, mis võib põhjustada põletusi või madala temperatuuri põletusi. Olge kuuma akukasseti kandmisel ettevaatlik.
15. Ärge puudutage tööriista klemmi kohe pärast kasutamist, sest see võib olla kuum ja põhjustada põletusi.
16. Hoidke akukasseti klemmid, avad ja sooned tükikestest, tolmust ja mullast puhtad. See võib põhjustada tööriista või aku ülekuumenemist, süttimist, purunemist ja talitlushäireid, mis võib lõppeda põletuste või kehavigastustega.
17. Kui tööriist ei kannata kasutamist kõrgepingeliinide lähedal, ärge kasutage akukasseti kõrgepingeliinide lähedal. Muidu võib tööriist või akukassetit puruneda või sellel tõrge tekkida.
18. Hoidke akut lastele kättesaamatult.

## HOIDKE JUHEND ALLES.

**⚠ETTEVAATUST:** Kasutage ainult Makita originaalakusid. Mitte Makita originaalakude või muudetud akude kasutamine võib põhjustada akude süttimise, kehavigastuse ja kahjustuse. Samuti muudab see kehtetuks Makita tööriista ja laadija Makita garantii.

## Vihjeid aku maksimaalse kasutusaja tagamise kohta

1. Laadige akukasseti enne selle täielikku tühjenemist. Kui märkate, et tööriist töötab väiksema võimsusega, peatage töö ja laadige akukasseti.
2. Ärge laadige täielikult laetud akukasseti. Ülelaadimine lühendab akude kasutusiga.
3. Laadige akukasseti toatemperatuuril 10 °C - 40 °C. Enne laadimist laske kuumenenud akukassetil maha jahtuda.
4. Kui te ei kasuta parajasti akukasseti, eemaldage see tööriistast või laadurist.
5. Kui te ei kasuta akukasseti kauem kui kuus kuud, laadige see.

# FUNKTSIONAALNE KIRJELDUS

**⚠ HOIATUS:** Kandke alati hoolt selle eest, et tööriist oleks enne reguleerimist ja kontrollimist välja lülitatud ja akukassett eemaldatud.

## Akukasseti paigaldamine või eemaldamine

**⚠ ETTEVAATUST:** Lülitage tööriist alati enne akukasseti paigaldamist või eemaldamist välja.

**⚠ ETTEVAATUST:** Akukasseti paigaldamisel või eemaldamisel tuleb tööriista ja akukassetti kindlalt paigal hoida. Kui tööriista ja akukassetti ei hoita kindlalt paigal, võivad need käest libiseda ning kahjustada tööriista ja akukassetti või põhjustada kehavigastusi.

► **Joon.1:** 1. Punane näidik 2. Nupp 3. Akukassett

Akukasseti eemaldamiseks libistage see tööriista küljest lahti, vajutades kassetti esiküljel paiknevat nuppu alla.

Akukasseti paigaldamiseks joondage akukasseti keel korpuse soonega ja libistage kassett oma kohale.

Sisestage see tervenisti, kuni see lukustub klõpsuga oma kohale. Kui näete joonisel näidatud punast näidikut, pole see täielikult lukustunud.

















**⚠ ETTEVAATUST:** Paigaldage akukassett alati täies ulatuses nii, et punast osa ei jääks näha. Muidu võib adapter juhuslikult tööriistast välja kukkuda ning põhjustada teile või läheduses viibivatele isikutele vigastusi.

**⚠ ETTEVAATUST:** Ärge rakendage akukasseti paigaldamisel jõudu. Kui kassett ei lähe kergesti sisse, pole see õigesti paigaldatud.

## Aku jääkmahutavuse näit

Akukasseti järelejäänud mahutavuse kontrollimiseks vajutage kontrollimise nuppu. Märgulambid süttivad mõneks sekundiks.

► **Joon.2:** 1. Märgulambid 2. Kontrollimise nupp

Märgulambid			Jääkmahutavus
 Pöleb	 Ei põle	 Vilgub	
			75 - 100%
			50 - 75%
			25 - 50%
			0 - 25%
			Laadige akut.
 	 		Akul võib olla tõrge.

**MÄRKUS:** Näidatud mahutavus võib veidi erineda tegelikust mahutavusest olenevalt kasutustingimustest ja ümbritseva keskkonna temperatuurist.

**MÄRKUS:** Esimene (taga vasakul asuv) märgutuli vilgub, kui akukaitsesüsteem töötab.

## Tööriista/aku kaitsesüsteem

Tööriist on varustatud tööriista või aku kaitsesüsteemiga. Süsteem lülitab mootori automaatselt välja, et pikendada tööriista ja aku tööiga. Tööriist seiskub käitamisajal automaatselt, kui tööriista või aku kohta kehtib üks järgmistest tingimustest.

## Ülekoormuskaitse

Kui tööriista/aku kasutamise käigus hakkab see tarbima ebaharilikult palju voolu, peatub tööriist automaatselt ilma igasuguse signaalita. Sel juhul lülitage tööriist välja ja lõpetage tööriista ülekoormuse põhjustanud töö. Pärast seda käivitage tööriist uuesti.

## Ülekuumenemiskaitse

Tööriista/aku ülekuumenemisel seiskub tööriist automaatselt. Laske tööriistal maha jahtuda, enne kui selle uuesti sisse lülitate.

## Ülelaadimiskaitse

Kui aku laetuse tase ei ole piisav, seiskub tööriist automaatselt. Sellisel juhul eemaldage aku seadmest ja laadige täis.

## Kaitseluku vabastamine

Kaitsesüsteemi korduval töötamisel tööriist lukustub. Sellises olukorras ei käivitu tööriist isegi siis, kui seda lülitatakse välja ja sisse. Kaitseluku vabastamiseks eemaldage aku, seadke see akulaadijasse ja oodake, kuni laadimine lõpeb.

## Kaitse muude põhjuste korral

Kaitsesüsteem on mõeldud ka muude põhjuste jaoks, mis võivad tööriista kahjustada, ja võimaldab tööriistal automaatselt seiskuda. Kui tööriist on ajutiselt peatatud või seiskunud, toimige põhjuste kõrvaldamiseks järgnevalt.

1. Lülitage tööriist välja ja seejärel taaskäivitamiseks uuesti sisse.
2. Laadige akut (akusid) või asendage aku (akud).
3. Laske tööriistal ja akul (akudel) jahtuda.

Kui kaitsesüsteemi taastamisega ei õnnestu olukorda parandada, võtke ühendust kohaliku Makita hoolduskeskusega.

## Võllilukk

**⚠ HOIATUS:** Käivitage võllilukk üksnes siis, kui võll ei liigu. Vastasel juhul võib kaasnedra raske vigastus või tööriista kahjustus.

Võlli pöörlemise takistamiseks vajutage võllilukku alati, kui paigaldate või eemaldate tarvikuid.

► **Joon.3:** 1. Võllilukk

## Lüliti funktsioneerimine

**⚠ETTEVAATUST:** Enne akukasetti paigaldamist tööriista sisse kontrollige alati, kas hooblüüti funktsioneerib õigesti ning liigub vabastamisel tagasi asendisse „OFF” (VÄLJAS).

**⚠ETTEVAATUST:** Ohutuse huvides on selle tööriistal lahtilukustuse hoob, mis hoiab ära tööriista ootamatu käivitumise. ÄRGE KUNAGI kasutage tööriista, kui see hakkab tööle lihtsalt hooblüüti tõmbamisel, lahtilukustushooba vajutamata. ENNE edasist kasutamist viige masin remonti meie volitatud teeninduskeskusesse.

**⚠ETTEVAATUST:** Ärge tõmmake hooblüütit jõuga ilma lahtilukustushooba vajutamata. See võib põhjustada lüliti purunemise.

**⚠ETTEVAATUST:** ÄRGE KUNAGI teipige lahtilukustuse hooba kinni ega üritage selle funktsiooni blokeerida.

Hooblüüti juhusliku tõmbamise vältimiseks on tööriist varustatud lahtilukustushoovaga.

Tööriista käivitamiseks tõmmake lahtilukustushooba enda poole ning seejärel tõmmake hooblüütit.

Tööriista seiskamiseks vabastage hooblüüti.

► **Joon.4:** 1. Lahtilukustushoob 2. Hooblüüti

## Juhusliku taaskäivitamise vältimise funktsioon

Akukasetti paigaldamisel sisselülitatud lülitiga ei käivitu tööriist.

Tööriista käivitamiseks lülitage lüliti välja ja uuesti sisse.

## Aktiivne tagasiside tajumise tehnoloogia

Tööriist tuvastab elektrooniliselt olukorrad, kus ketas või tarvik ähvardavad kinni jääda. Sellises olukorras lülitatakse tööriist võlli edasise pöörlemise vältimiseks automaatselt välja (see ei hoiä ära tagasilööki).

Tööriista taaskäivitamiseks lülitage tööriist esmalt välja, kõrvaldage pöörlemiskiiruse ootamatu langemise põhjus ja lülitage tööriist seejärel uuesti sisse.

## Sujuvkäivituse funktsioon

Sujuvkäivituse funktsioon vähendab käivituslööki.

## Elektriline pidur

Tööriista väljalülitamise järel aktiveeritakse elektriline pidur.

Kui elektrivarustus katkestatakse, näiteks aku juhuslikul eemaldamisel, kuid lüliti jääb endiselt sisselülitatud asendisse, siis pidur ei toimi.

## KOKKUPANEK

**⚠HOIATUS:** Kandke alati hoolt selle eest, et tööriist oleks enne reguleerimist ja kontrollimist välja lülitatud ja akukasett eemaldatud.

## Külgkäepideme (käepide) paigaldamine

**⚠ETTEVAATUST:** Enne tööd kontrollige alati, kas külgkäepide on kindlalt paigaldatud.

Kruvige külgkäepide kindlalt oma kohale, nii nagu joonisel näidatud.

► **Joon.5**

## Kettakaitsme paigaldamine või eemaldamine

**⚠HOIATUS:** Kui kasutate nõgusa keskosaga ketast, lamellketast, painduvat ketast või ketasraatharja, tuleb kettakaitsme paigaldada tööriista külge nii, et kaitsme kinnine külg jääks alati operaatori poole.

**⚠HOIATUS:** Veenduge, et lukustushoob oleks kettakaitsme turvaliselt lukustanud, lukustades ühe kettakaitsmel oleva augu.

**⚠HOIATUS:** Kui kasutate lihv-/teemantketast, siis valige kindlasti spetsiaalselt selle löikekettaga kasutamiseks mõeldud kettakaitsme.

## Nõgusa keskosaga kettale, lamellkettale, painduvale kettale, ketastraatharjale / löikekettale, teemantkettale

1. Paigaldage kettakaitsme lukustushooba alla vajutades nii, et kettakaitsme klambri eendid oleksid laagri-ümbrise sälkudega kohakuti.

► **Joon.6:** 1. Lukustushoob 2. Soon 3. Eenduv osa

2. Lükake lukustushooba A suunas ja hoidke samal ajal kettakaitsme osi B all nii, nagu on joonisel näidatud.

► **Joon.7:** 1. Kettakaitsme 2. Ava

**MÄRKUS:** Suruge kettakaitsme sirgelt alla. Muidu ei ole võimalik kettakaitsmet kinnitada.

3. Vajutage lukustushooba suunas A ja samal ajal pöörake kettakaitsmet suunas C, seejärel muutke kettakaitsme nurka vastavalt tööle, nii et kasutaja oleks kaitstud. Viige lukustushoob kohakuti mõne kettakaitsme avaga ja vabastage seejärel kettakaitsme lukustamiseks lukustushoob.

► **Joon.8:** 1. Kettakaitsme 2. Ava

Kettakaitsme eemaldamiseks järgige paigaldamise protseduuri vastupidises järjekorras.

## Klamberkinnitusega lõikekettakaitse

### Valikuline tarvik

**MÄRKUS:** Lõiketöödeks võib kettakaitsemel kasutada klamberkinnitusega lõikekettakaitset (lihvketta oma).

Ei ole mõnes riigis saadaval.

#### ► Joon.9

## Nõgusa keskosaga ketta või lamellketta paigaldamine või eemaldamine

### Valikuline tarvik

**⚠HOIATUS:** Kui kasutate nõgusa keskosaga ketast või lamellketast, tuleb kettakaitse paigaldada tööriista külge nii, et kaitse kinnine külg jääks alati operaatori poole.

**⚠HOIATUS:** Veenduge, et siseääriku paigaldusosa sobiks suurepäraselt nõgusa keskosaga ketta / lamellketta siseläbimõõduga. Siseääriku paigaldamine valele küljele võib põhjustada ohtlikku vibratsiooni.

Paigaldage siseäärik võllile.

Asetage siseääriku süvendatud pool kindlasti võlli põhjas sirgele osale.

Paigaldage nõgusa keskosaga ketta / lamellketas siseääriku peale ja keerake fiksaatormutter võlli külge.

► **Joon.10:** 1. Fiksaatormutter 2. Nõgusa keskosaga ketta 3. Siseäärik 4. Paigaldusosa

Fiksaatormutri pingutamiseks suruge tugevalt võlli lukustusnuppu nii, et võll ei saaks pöörelda, ning pingutage fiksaatormutrit fiksaatormutri jaoks ettenähtud võtmega päripäeva.

► **Joon.11:** 1. Fiksaatormutri võti 2. Võllilukk

Ketta eemaldamiseks järgige paigaldamise protseduuri vastupidises järjekorras.

## Lõikeketta paigaldamine või eemaldamine

### Valikuline tarvik

**⚠HOIATUS:** Kasutage alati kaasasolevat kaitset, kui tööriistal on painduv ketta. Kui ketta peaks töötamisel tükideks purunema, aitab kaitse vigastusi vältida.

► **Joon.12:** 1. Fiksaatormutter 2. Painduv ketta 3. Tugipadi 4. Siseäärik

Järgige nõgusa keskosaga ketta juhiseid, kuid kasutage kettal ka tugitalda.

## Lihvketta paigaldamine või eemaldamine

### Valikuline tarvik

**MÄRKUS:** Kasutage kasutusjuhendis nimetatud lihvtarvikuid. Need tuleb osta eraldi.

## 100 mm (4") mudel

► **Joon.13:** 1. Lihvimise fiksaatormutter 2. Lihvketas 3. Kummist tugiketas 4. Siseäärik

1. Paigaldage siseäärik võllile.
2. Paigaldage kummist tugiketas võllile.
3. Sobitage ketas kummist tugiketale ja kruvige lihvimise fiksaatormutter võllile.
4. Hoidke võlli koos võllilukuga ja pingutage lihvimise fiksaatormutrit lukustusmutri mutrivõtmega päripäeva.

Ketta eemaldamiseks tegutsege paigaldamise protseduurile vastupidises järjekorras.

## Muud mudelid peale 100 mm (4") mudeli

► **Joon.14:** 1. Lihvimise fiksaatormutter 2. Lihvketas 3. Kummist tugiketas

1. Paigaldage kummist tugiketas võllile.
2. Sobitage ketas kummist tugiketale ja kruvige lihvimise fiksaatormutter võllile.
3. Hoidke võlli koos võllilukuga ja pingutage lihvimise fiksaatormutrit lukustusmutri mutrivõtmega päripäeva.

Ketta eemaldamiseks tegutsege paigaldamise protseduurile vastupidises järjekorras.

## Ezynuti paigaldamine või eemaldamine

### Valikuline tarvik

**Ainult tööriistadele, millel on võlli keere M14.**

Paigaldage siseäärik, abrasiivketas ja Ezynut võllile nii, et Makita logo jääks Ezynutil väljapoole.

► **Joon.15:** 1. Ezynut 2. Abrasiivketas 3. Siseäärik 4. Võll

Vajutage tugevasti võllilukule ja kinnitage Ezynut, keerates abrasiivketast päripäeva lõpuni.

► **Joon.16:** 1. Võllilukk

Ezynuti lahtiühendamiseks keerake Ezynuti välisrõngast vastupäeva.

**MÄRKUS:** Ezynuti saab avada käsitsi, kui nool osutab sälgule. Muidu kasutage avamiseks mutrivõtit. Sisestage mutrivõtme üks sõrm avasse ja pöörake Ezynuti vastupäeva.

► **Joon.17:** 1. Nool 2. Sälg

► **Joon.18**

## Lihv-/teemantketta paigaldamine

### Valikuline tarvik

**⚠HOIATUS:** Kui kasutate lihv-/teemantketast, siis valige kindlasti spetsiaalselt selle löikekettaga kasutamiseks mõeldud kettakaitse.

**⚠HOIATUS:** ÄRGE KUNAGI kasutage löikeketast külglihvimiseks.

**⚠ETTEVAATUST:** Teemantketta paigaldamisel peab kettal olev nool näitama samas suunas nagu tööriistal olev nool.

- **Joon.19:** 1. Fiksaatormutter 2. Lihv-/teemantketas 3. Siseäärik 4. Lihv-/teemantketta ketta kaitse

Paigaldamisel järgige nõgusa keskosaga ketast puudutavaid juhtnõude.

Fiksaatormutri ja siseääriku suund monteerimisel sõltub ketta tüübist ja paksusest.

Vt järgmisi jooniseid.

## 100 mm (4") mudel

### Lihvketta paigaldamine:

- **Joon.20:** 1. Fiksaatormutter 2. Abrasiivlöikeketas (õhem kui 4 mm (5/32")) 3. Abrasiivlöikeketas (4 mm (5/32")) või paksem 4. Siseäärik

### Teemantketta paigaldamine:

- **Joon.21:** 1. Fiksaatormutter 2. Teemantketas (õhem kui 4 mm (5/32")) 3. Teemantketas (4 mm (5/32")) või paksem 4. Siseäärik

## Muud mudelid peale 100 mm (4") mudeli

### Lihvketta paigaldamine:

- **Joon.22:** 1. Fiksaatormutter 2. Abrasiivlöikeketas (õhem kui 4 mm (5/32")) 3. Abrasiivlöikeketas (4 mm (5/32")) või paksem 4. Siseäärik

### Teemantketta paigaldamine:

- **Joon.23:** 1. Fiksaatormutter 2. Teemantketas (õhem kui 4 mm (5/32")) 3. Teemantketas (4 mm (5/32")) või paksem 4. Siseäärik

## Traatidega kaussharja paigaldamine

### Valikuline tarvik

**⚠ETTEVAATUST:** Ärge kasutage kahjustunud või balansseerimata traatidega kaussharja. Kahjustunud traatidega kaussharja kasutamine võib suurendada vigastusohu katkiste terasharjastega kokkupuute tõttu.

Juurdepääsu hõlbustamiseks võllile pange tööriist tagurpidi.

Eemaldage võllilt kõik tarvikud. Paigaldage terashari võllile ja keerake kaasasoleva mutrivõtmega kinni.

- **Joon.24:** 1. Kausshari Terasharjad

## Ketastraatharja paigaldamine

### Valikuline tarvik

**⚠ETTEVAATUST:** Ärge kasutage kahjustatud või tasakaalustamata ketastraatharja. Kahjustatud ketastraatharja kasutamine võib suurendada katkiste harjaste põhjustatud vigastusohu.

**⚠ETTEVAATUST:** Kasutage ketastraatharjadega töötamisel ALATI kaitset, valides ketta diameetri sobiva suuruse. Kui ketta peaks töötamisel tükikideks purunema, aitab kaitse vigastusi vältida.

Juurdepääsu hõlbustamiseks võllile pange tööriist tagurpidi.

Eemaldage võllilt kõik tarvikud. Keerake ketastraathari võllile ja kinnitage mutrivõtmega.

- **Joon.25:** 1. Ketastraathari

## Avalõikuri paigaldamine

### Valikuline tarvik

Juurdepääsu hõlbustamiseks võllile pange tööriist tagurpidi.

Eemaldage võllil olevad tarvikud. Keerake avalõikur võllile ja pingutage kaasasoleva mutrivõtmega.

- **Joon.26:** 1. Avalõikur

## Tolmukoguriga kettakaitsme paigaldamine lihvimiseks

### Ainult mudelil GA049G / GA050G

### Valikuline tarvik

Lisatarvikute abil saate seda tööriista kasutada betoonpindade lihvimiseks.

**⚠ETTEVAATUST:** Tolmukoguja kettakaitsme nihkega teemantkettale on mõeldud ainult teemantkettaga betoonilihvijaga kasutamiseks. Ärge kasutage seda ühegi teise lisatarvikuga ega mõneks muuks tegevuseks.

**⚠ETTEVAATUST:** Enne kasutamist veenduge, et tolmuimeja oleks ühendatud ja sisse lülitatud.

Pange tööriist tagurpidi ja paigaldage tolmukoguriga kettakaitsme.

Paigaldage võllile siseäärik.

Paigaldage kausikujuline teemantketas siseäärikule ja pingutage fiksaatormutter võllile.

- **Joon.27:** 1. Fiksaatormutter 2. Kausikujuline teemantketas 3. Rummuga kausikujuline teemantketas 4. Siseäärik 5. Tolmukoguriga kettakaitsme 6. Tugikorpus

**MÄRKUS:** Tolmukoguriga kettakaitsme paigaldamishüpsid leiate tolmukoguriga kettakaitsme juhendist.

## Tolmukoguriga kettakaitsme paigaldamine lõikamiseks

*AINULT mudelil GA048G / GA049G / GA050G*

### Valikuline tarvik

Lisatarvikutega saab tööriista kasutada kivimaterjalide lõikamiseks.

► Joon.28

**MÄRKUS:** Tolmukoguriga kettakaitsme paigaldamisjuhised leiata tolmukoguriga kettakaitsme juhendist.

## TÖÖRIISTA KASUTAMINE

**⚠HOIATUS:** Ärge kasutage tööriista suhtes kunagi jõudu. Tööriista enda raskus annab piisava surve. Ülemäärane surumine ja surve võivad põhjustada ketta ohtliku purunemise.

**⚠HOIATUS:** Vahetage ketas ALATI välja, kui tööriist on käimise ajal maha kukkunud.

**⚠HOIATUS:** ÄRGE KUNAGI lööge ketast vastu töödeldavat detaili.

**⚠HOIATUS:** Vältige ketta kinnikiilumist ja vastu töödeldavat pinda pörkimist, eriti siis, kui töötate nurkades ja teravate servadega jne. See võib põhjustada ohtlikke tagasilööke.

**⚠HOIATUS:** Ärge kasutage tööriista puude saagimise saelehtedega ega muude saelehtedega. Selliste saelehtede kasutamisel lihvijaga annavad need sageli tagasilöögi ja toovad endaga kaasa kontrolli kaotamise, mis põhjustab vigastuste tekkimist.

**⚠ETTEVAATUST:** Ärge käivitage kunagi tööriista, mis on kontaktis töödeldava pinna või detailiga, sest see võib kaasa tuua ohtlikke vigastusi.

**⚠ETTEVAATUST:** Kandke töö juures alati kaitseprille või näokatet.

**⚠ETTEVAATUST:** Pärast tööd lülitage tööriist alati välja ja oodake enne tööriista käest panemist, kuni ketas on täielikult seiskunud.

**⚠ETTEVAATUST:** Hoidke tööriista ALATI kindlalt ühe käega korpusest ja teisega külgkäepidemest.

**MÄRKUS:** Kaheotstarbelist ketast saab kasutada nii lihvimiseks kui ka lõikamiseks.

Lihvimise kohta lugege jaotist „Käimise ja lihvimise režiim“, lõikamise kohta jaotist „Lihv-/teemantketta käitamine“.

## Käimise ja lihvimise režiim

► Joon.29

Lülitage tööriist sisse ja alustage seejärel kettaga pinna või detaili töötlemist.

Tavaliselt hoidke ketta serva töödeldava pinna suhtes u 15° nurga all.

Uue ketta sissetöötamisperioodil ärge töötage käiaga edasisuunas; sest muidu võib ketas lõikuda töödeldavas pinda. Kui ketta serv on töö käigus ümaraks muutunud, võib kettast kasutada nii edasi- kui ka tagasisuunas.

**Kasutusnäide: kasutamine kausikujulise teemantkettaga**

► Joon.30

Hoidke tööriista horisontaalselt ja asetage töödeldava detaili pinnale kogu kausikujuline teemantketas.

## Lihv-/teemantketta käitamine

Valikuline tarvik

**⚠HOIATUS:** Ärge ummistage ketast ega rakendage liigset jõudu. Ärge püüdke teha liiga sügavat lõiget. Liigse jõu rakendamine suurendab koormust ja ketta väänamise või kinnikiilumise tõenäosust lõikejäljes ning tagasilöögi, ketta purunemise ja mootori ülekuumenemise võimalusi.

**⚠HOIATUS:** Ärge käivitage töödeldava detaili lõikeoperatsiooni. Laske kettal saavutada täiskiiirus ja sisenege hoolikalt lõikesse, liigutades tööriista üle töödeldava detaili pinna. Kui elektritööriist taaskäivitatakse töödeldava detaili sees, võib ketas kinni jääda, ülespoole liikuda või põhjustada tagasilöögi.

**⚠HOIATUS:** Ärge kunagi muutke ketta nurka lõikeoperatsiooni ajal. Lõikeketastele külgsurve rakendamine (nagu lihvimisel) põhjustab ketta mõranemise ja purunemise, mis võib kaasa tuua tõsiseid vigastusi.

**⚠HOIATUS:** Teemantketast tuleb kasutada lõigatava materjali suhtes ristloodis.

**Kasutusnäide: töötamine lõikekettaga**

► Joon.31

**Kasutusnäide: töötamine teemantkettaga**

► Joon.32

## Traatidega kaussharja käitamine

Valikuline tarvik

**⚠ETTEVAATUST:** Kontrollige traatidega kaussharja tööd, lastes tööriistal koormuseta töötada ja jälgides, et keegi ei asuks traatidega kaussharja ees või sellega ühel joonel.

**TÄHELEPANU:** Vältige liigse surve avaldamist, mis võiks põhjustada traatidega kaussharja kasutamise ajal traatide ülepaandumist. See võib tuua kaasa enneaegse purunemise.

**Kasutusnäide: töötamine traatidega kaussharjaga**

► Joon.33

## Ketastraatharja käitamine

### Valikuline tarvik

**⚠ETTEVAATUST:** Kontrollige ketastraatharja tööd, lastes tööriistal tühjalt käia ja kandes hoolt selle eest, et keegi ei asuks ketastraatharja ees või sellega ühel joonel.

**TÄHELEPANU:** Vältige liigse jõu rakendamist, mis põhjustab traatide ülemäärast paindumist ketastraatharja kasutamise ajal. See võib põhjustada enneaegset purunemist.

Kasutusnäide: töötamine ketastraatharjaga

► Joon.34

## Kasutamine avalõikuriga

### Valikuline tarvik

**⚠ETTEVAATUST:** Kontrollige avalõikuri tööd, lastes tööriistal töötada ilma koormuseta ja jäljides, et keegi ei oleks avalõikuri ees.

**TÄHELEPANU:** Ärge kallutage tööriista töö ajal. See võib tuua kaasa enneaegse purunemise.

Kasutusnäide: kasutamine avalõikuriga

► Joon.35

## HOOLDUS

**⚠HOIATUS:** Enne kontroll- või hooldustoimingute tegemist kandke alati hoolt selle eest, et tööriist oleks välja lülitatud ja akukassett korpuse küljest eemaldatud.

**TÄHELEPANU:** Ärge kunagi kasutage bensiini, vedeldit, alkoholi ega midagi muud sarnast. Selle tulemuseks võib olla luitumine, deformatsioon või pragunemine.

Toote OHUTUSE ja TÖÖKINDLUSE tagamiseks tuleb vajalikud remonttööd ning muud hooldus- ja reguleerimistööd lasta teha Makita volitatud teeninduskeskustes või tehase teeninduskeskustes. Alati tuleb kasutada Makita varuosi.

## Ventilatsiooniava puhastamine

Tööriist ja selle ventilatsiooniavad peavad olema puhtad. Puhastage tööriista ventilatsiooniavasid regulaarselt või siis, kui need hakkavad ummistuma.

► Joon.36: 1. Väljalaskeava 2. Sisselaskeava

Eemaldage ventilatsiooniavalt tolmukate ja puhastage seda, et tagada sujuv õhuringlus.

► Joon.37: 1. Tolmukate

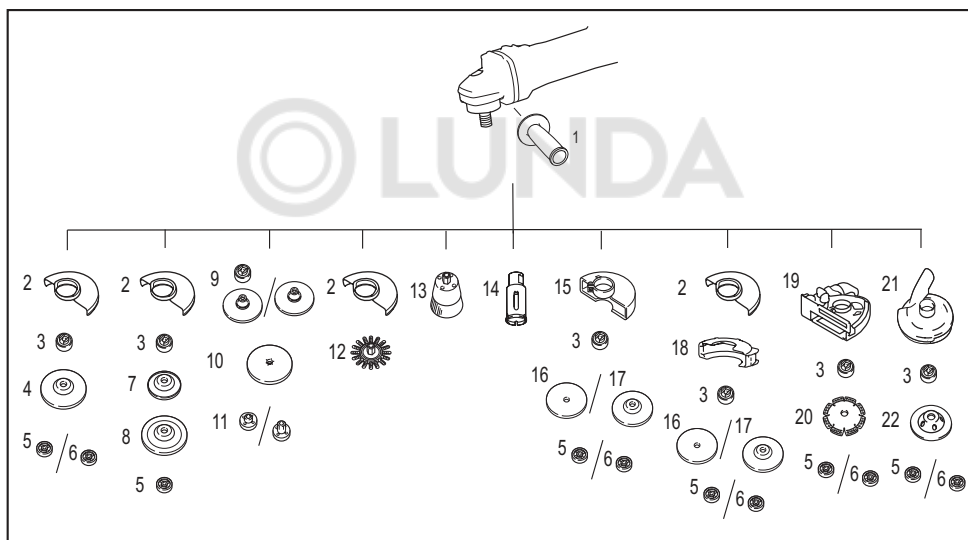
**TÄHELEPANU:** Puhastage tolmukatet, kui see on tolmu või võõrkehadega ummistunud. Töö jätkamine ummistunud tolmukatega võib tööriista kahjustada.

# KASUTUSALADE JA TARVIKUTE KOMBINEERIMINE

## Valikuline tarvik

**⚠ETTEVAATUST:** Valede kaitsmetega tööriista kasutamine võib põhjustada järgmisi riske.

- Lõikeketta kaitsme kasutamisel esipinna lihvimiseks võib kettakaitse töödeldava detailiga kokku puutuda ja juhitevust halvendada.
- Lihvketta kaitsme kasutamisel lõikamiseks koos liimitud abrasiivketaste ja teemantketastega on suur oht pöörlavate ketaste, tekkivate sädemete ja osakeste, samuti ketta purunemisel kettatükkidega kokku puutuda.
- Lõikeketta kaitsme või lihvketta kaitsme kasutamisel esipinna töötlemiseks kausikujuliste teemantketastega võib kettakaitse töödeldava detailiga kokku puutuda ja juhitevust halvendada.
- Lõikeketta kaitsme või lihvketta kaitsme kasutamisel kettakujulise traatharjaga, mille paksus on suurem kui jaotises „TEHNILISED ANDMED“ toodud maksimaalne paksus, võivad traadid vastu kaitset minna ning traatide purunemise põhjustada.
- Tolmukoguriga kettakaitsete kasutamine betooni või müüritise lõikamiseks ja esipinna töötlemiseks vähendab tolmu kokkupuutumise ohtu.
- Kaheotstarbeliste (lihv- ja abrasiivlõikefunktsioon) äärikkinnitusega ketaste kasutamisel kasutage ainult lõikeketta kaitset.



-	Kasutamine	100 mm mudel	115 mm mudel	125 mm mudel	150 mm mudel
1	-	Külgkäepide			
2	-	Kettakaitse (lihvketas)			
3	-	Siseäärik			
4	Käimine/lihvimine	Nõgusa keskosaga ketas / lamellketas			
5	-	Fiksaatormutter			
6	-	-	Ezynut *1		
7	-	Tugipadi			
8	Lihvimine	Painduv ketas			
9	-	Siseäärik ja kummist tugiketas 76	Kummist tugiketas nr 100	Kummist tugiketas nr 115	Kummist tugiketas 125
10	Lihvimine	Lihvketas			
11	-	Lihvimise fiksaatormutter			
12	Traatharjagatöötlemine	Ketastraathari			
13	Traatharjagatöötlemine	Kausshari Terasharjad			

-	Kasutamine	100 mm mudel	115 mm mudel	125 mm mudel	150 mm mudel
14	Avade lõikamine	Avalõikur			
15	-	Kettakaitse (lõikekettale)			
16	Lõikamine	Lihv-/teemantketas			
17	Lihvimine/lõikamine	Kaheotstarbeline ketas			-
18	-	Klamberkinnitusega lõikekettakaitse *2			
19	-	Tolmukoguriga kettakaitse lõikamiseks *3			-
20	Lõikamine	Teemantketas			-
21	-	-	Tolmukoguriga kettakaitse lihvimiseks *4		-
22	Lihvimine	-	Kausikujuline teemantketas *4		-
-	-	Fiksaatormutri võti			

**MÄRKUS:** \*1 Ainult tööriistadele, millel on võlli keere M14.

**MÄRKUS:** \*2 Klamberkinnitusega lõikeketta kaitse ei ole mõnes riigis saadaval. Täpsemat teavet lugege klamberkinnitusega lõikeketta kaitse kasutusjuhendist.

**MÄRKUS:** \*3 Ainult mudelil GA048G / GA049G / GA050G

Täpsemat teavet leiate kaitse kasutusjuhendist.

**MÄRKUS:** \*4 Ainult mudelil GA049G / GA050G

Täpsemat teavet leiate kaitse kasutusjuhendist.

## VALIKULISED TARVIKUD

**⚠ETTEVAATUST:** Neid tarvikuid ja liseseadiseid on soovitatav kasutada koos Makita tööriistaga, mille kasutamist selles kasutusjuhendis kirjeldatakse. Muude tarvikute ja liseseadiste kasutamisega kaasneb vigastada saamise oht. Kasutage tarvikuid ja liseseadiseid ainult otstarbekohaselt.

Saate vajaduse korral kohalikust Makita teeninduskeskusest lisateavet nende tarvikute kohta.

- Makita algupärane aku ja laadija
- Jaotises „KASUTUSALADE JA TARVIKUTE KOMBINEERIMINE“ loetletud tarvikud

**MÄRKUS:** Mõned nimekirjas loetletud tarvikud võivad kuuluda standardvarustusse ning need on lisatud tööriista pakendisse. Need võivad riigiti erineda.

## ТЕХНИЧЕСКИЕ ХАРАКТЕРИСТИКИ

Модель:		GA048G	GA049G	GA050G	GA051G
Подходящий шлифовальный диск	Макс. диаметр диска	100 мм	115 мм	125 мм	150 мм
	Макс. толщина диска	6,4 мм	7,2 мм		6,4 мм
Подходящий отрезной диск	Макс. диаметр диска	105 мм	115 мм	125 мм	150 мм
	Макс. толщина диска	3,2 мм			3,0 мм
Подходящая дисковая проволочная щетка	Макс. диаметр диска	100 мм	115 мм	125 мм	
	Макс. толщина диска	20 мм			
Резьба шпинделя		M10	M14 или 5/8дюйма (в зависимости от страны)		
Макс. длина шпинделя		18 мм	23 мм		
Частота вращения без нагрузки ( $n_0$ ) / Номинальная частота вращения ( $n$ )		11 000 мин <sup>-1</sup>			9 000 мин <sup>-1</sup>
Общая длина (с аккумулятором BL4040)		410 мм			
Масса нетто		2,8–5,2 кг	3,0–5,4 кг		3,1–4,7 кг
Номинальное напряжение		36–40 В пост. тока макс.			

- Благодаря нашей постоянно действующей программе исследований и разработок указанные здесь технические характеристики могут быть изменены без предварительного уведомления.
- Технические характеристики могут различаться в зависимости от страны.
- Масса может отличаться в зависимости от дополнительного оборудования. Обратите внимание, что блок аккумулятора также считается дополнительным оборудованием. В таблице представлены комбинации с наибольшим и наименьшим весом в соответствии с процедурой EPTA 01/2014.

### Подходящий блок аккумулятора и зарядное устройство

Блок аккумулятора	BL4020 / BL4025* / BL4040* / BL4050F* / BL4080F *: рекомендуемый аккумулятор
Зарядное устройство	DC40RA / DC40RB / DC40RC

- В зависимости от региона проживания некоторые блоки аккумуляторов и зарядные устройства, перечисленные выше, могут быть недоступны.

**⚠ ОСТОРОЖНО:** Используйте только перечисленные выше блоки аккумуляторов и зарядные устройства. Использование других блоков аккумуляторов и зарядных устройств может привести к травме и/или пожару.

### Рекомендованный источник электропитания с проводным подключением

Портативный блок питания	PDC01 / PDC1200
--------------------------	-----------------

- В некоторых регионах определенные модели перечисленных выше источников электропитания с проводным подключением могут быть недоступны.
- Перед началом использования источника электропитания с проводным подключением изучите инструкцию и предупреждающие надписи на нем.

### Символы

Ниже приведены символы, которые могут использоваться для обозначения оборудования. Перед использованием убедитесь в том, что вы понимаете их значение.



Прочитайте руководство по эксплуатации.



Надевайте защитные очки.



Во время работы обязательно держите инструмент двумя руками.



Не используйте кожух диска для операции резки.



Только для стран ЕС

В связи с наличием в оборудовании опасных компонентов отходы электрического и электронного оборудования, аккумуляторы и батареи могут оказывать негативное влияние на окружающую среду и здоровье человека.

Не выбрасывайте электрические и электронные устройства или батареи вместе с бытовыми отходами!

В соответствии с директивой ЕС по отходам электрического и электронного оборудования, по аккумуляторам, батареям и отходам аккумуляторов и батарей, а также в соответствии с ее адаптацией к национальному законодательству, отходы электрического оборудования, батареи и аккумуляторы следует хранить отдельно и доставлять на пункт раздельного сбора коммунальных отходов, работающий с соблюдением правил охраны окружающей среды. Это обозначено символом в виде перечеркнутого мусорного контейнера на колесах, нанесенным на оборудование.

## Назначение

Инструмент предназначен для шлифовки, зачистки (в том числе проволочной щеткой), вырезания отверстий и резки материалов из металла и камня без использования воды.

## Шум

Типичный уровень взвешенного звукового давления (A), измеренный в соответствии с EN62841-2-3:

Модель	Уровень звукового давления ( $L_{pA}$ ): (дБ (A))	Уровень звуковой мощности ( $L_{WA}$ ): (дБ (A))	Погрешность (K): (дБ (A))
GA048G	84	92	3
GA049G	85	93	3
GA050G	85	93	3
GA051G	85	93	3

**ПРИМЕЧАНИЕ:** Заявленное значение распространения шума измерено в соответствии со стандартной методикой испытаний и может быть использовано для сравнения инструментов.

**ПРИМЕЧАНИЕ:** Заявленное значение распространения шума можно также использовать для предварительных оценок воздействия.

**⚠ ОСТОРОЖНО:** Используйте средства защиты слуха.

**⚠ ОСТОРОЖНО:** Распространение шума во время фактического использования электроинструмента может отличаться от заявленного значения в зависимости от способа применения инструмента и в особенности от типа обрабатываемой детали.

**⚠ ОСТОРОЖНО:** Обязательно определите меры безопасности для защиты оператора, основанные на оценке воздействия в реальных условиях использования (с учетом всех этапов рабочего цикла, таких как выключение инструмента, работа без нагрузки и включение).

**⚠ ОСТОРОЖНО:** Шлифование тонколистового металла или других легко поддающихся вибрациям структур с большой площадью поверхности может привести к тому, что суммарный уровень шума будет значительно превышать (до 15 дБ) заявленные значения уровня шума.

Во избежание распространения шума от таких обрабатываемых деталей следует прикреплять к ним тяжелые гибкие звукопоглощающие коврики или аналогичные приспособления.

Повышенный уровень шума следует учитывать как при оценке риска, связанного с воздействием шума, так и при выборе надлежащих средств защиты органов слуха.

## Вибрация

Суммарное значение вибрации (сумма векторов по трем осям), определенное в соответствии с EN62841-2-3:

**Рабочий режим: шлифование поверхности с использованием обычной боковой ручки**

Модель	Распространение вибрации ( $a_{hv, AG}$ ) : ( $m/c^2$ )	Погрешность (K): ( $m/c^2$ )
GA048G	8,2	1,5
GA049G	8,5	1,5
GA050G	8,9	2,2
GA051G	12,1	1,5

**Рабочий режим: шлифование поверхности с использованием антивибрационной боковой ручки**

Модель	Распространение вибрации ( $a_{hv, AG}$ ) : ( $m/c^2$ )	Погрешность (K): ( $m/c^2$ )
GA048G	7,1	1,5
GA049G	7,7	1,5
GA050G	8,8	1,5
GA051G	12,7	1,6

**Рабочий режим: шлифование с использованием обычной боковой ручки**

Модель	Распространение вибрации ( $a_{hv, DS}$ ) : ( $m/c^2$ )	Погрешность (K): ( $m/c^2$ )
GA048G	2,5 $m/c^2$ или менее	1,5
GA049G	2,8	1,5
GA050G	2,6	1,5
GA051G	3,1	1,5

**Рабочий режим: шлифование с использованием антивибрационной боковой ручки**

Модель	Распространение вибрации ( $a_{hv, DS}$ ) : ( $m/c^2$ )	Погрешность (K): ( $m/c^2$ )
GA048G	2,5 $m/c^2$ или менее	1,5
GA049G	2,8	1,5
GA050G	2,5	1,5
GA051G	3,5	1,5

**ПРИМЕЧАНИЕ:** Заявленное общее значение распространения вибрации измерено в соответствии со стандартной методикой испытаний и может быть использовано для сравнения инструментов.

**ПРИМЕЧАНИЕ:** Заявленное общее значение распространения вибрации можно также использовать для предварительных оценок воздействия.

**⚠ ОСТОРОЖНО:** Распространение вибрации во время фактического использования электроинструмента может отличаться от заявленного значения в зависимости от способа применения инструмента и в особенности от типа обрабатываемой детали.

**⚠ ОСТОРОЖНО:** Обязательно определите меры безопасности для защиты оператора, основанные на оценке воздействия в реальных условиях использования (с учетом всех этапов рабочего цикла, таких как выключение инструмента, работа без нагрузки и включение).

**⚠ ОСТОРОЖНО:** Заявленное значение распространения вибрации относится к основным операциям, выполняемым с помощью электроинструмента. Однако если электроинструмент используется для других целей, уровень вибрации может отличаться.

## Декларации о соответствии

*Только для европейских стран*

Декларации о соответствии включены в Приложение А к настоящему руководству по эксплуатации.

# МЕРЫ БЕЗОПАСНОСТИ

## Общие рекомендации по технике безопасности для электроинструментов

**▲ОСТОРОЖНО** Ознакомьтесь со всеми инструкциями по технике безопасности, указаниями, иллюстрациями и техническими характеристиками, прилагаемыми к данному электроинструменту. Несоблюдение всех приведенных далее инструкций может привести к поражению электрическим током, возгоранию и/или тяжелым травмам.

## Сохраните брошюру с инструкциями и рекомендациями для дальнейшего использования.

Термин "электроинструмент" в предупреждениях относится ко всему инструменту, работающему от сети (с проводом) или на аккумуляторах (без провода).

## Правила техники безопасности при эксплуатации аккумуляторной шлифовальной машины

Общие предупреждения о правилах техники безопасности при выполнении шлифования абразивным диском, абразивной бумагой, проволочной щеткой или операций резки:

1. Данный электроинструмент предназначен для шлифования абразивным диском, абразивной бумагой, проволочной щеткой, вырезания отверстий или операций резки. Ознакомьтесь со всеми инструкциями по технике безопасности, указаниями, иллюстрациями и техническими характеристиками, прилагаемыми к данному электроинструменту. Несоблюдение всех приведенных далее инструкций может привести к поражению электрическим током, возгоранию и/или тяжелым травмам.
2. Данный электроинструмент не предназначен для выполнения таких операций, как полировка. Использование электроинструмента не по назначению может привести к опасной ситуации и причинить травму.
3. Не перепрофилируйте данный электроинструмент в целях выполнения операций, для которых он не предназначен и которые не предусмотрены его производителем. Такое перепрофилирование может привести к потере контроля с причинением тяжелой травмы.
4. Не используйте насадки других производителей, не предназначенные для данного инструмента и не указанные его производителем. Даже если такую насадку удастся закрепить на электроинструменте, это не обеспечит безопасность его эксплуатации.
5. Номинальная скорость насадки должна быть как минимум равна максимальной скорости, обозначенной на электроинструменте. При вращении насадки со скоростью выше номинальной она может разломиться на части.

6. Внешний диаметр и толщина насадки должны соответствовать номинальной мощности электроинструмента. Неверно подобранные по размеру насадки не гарантируют безопасности и точности управления.
7. Размеры крепления насадки должны соответствовать размерам крепежного приспособления электроинструмента. Установка насадок, не соответствующих крепежному приспособлению электроинструмента, приведет к разбалансировке, чрезмерной вибрации и возможной потере контроля.
8. Не используйте поврежденные насадки. Перед каждым использованием насадок типа абразивных дисков проверяйте их на наличие сколов и трещин, проверьте подожвы на наличие трещин, задигов или чрезмерного износа, а проволочные щетки – на наличие выпавших или сломанных кусков проволоки. В случае падения электроинструмента или насадки убедитесь в отсутствии на них повреждений или установите неповрежденную насадку. После осмотра и установки насадки включите электроинструмент на максимальной скорости без нагрузки на одну минуту; при этом следите, чтобы вы сами и окружающие находились на безопасном расстоянии от плоскости вращения принадлежностей. Поврежденная насадка обычно ломается в течение такого пробного периода.
9. Используйте индивидуальные средства защиты. В зависимости от выполняемых операций используйте защитную маску или защитные очки. При необходимости надевайте респиратор, средство защиты органов слуха, перчатки и рабочий фартук для защиты от мелких частиц абразивных материалов или обрабатываемой детали. Средства защиты органов зрения должны предохранять от летящих фрагментов, образующихся при использовании инструмента в различных целях. Пылезащитная маска или респиратор должны обеспечивать фильтрацию частиц, образующихся при использовании инструмента в конкретных целях. Продолжительное воздействие сильного шума может вызвать потерю слуха.
10. Посторонние лица должны находиться на безопасном расстоянии от рабочей зоны. Любой приближающийся к рабочему месту человек должен предварительно надеть индивидуальные средства защиты. Фрагменты обрабатываемой детали или сломавшейся насадки могут разлететься и причинить травму даже на значительном удалении от рабочего места.
11. Если при выполнении работ возможен контакт режущего инструмента со скрытой электропроводкой, держите электроинструмент только за специальные изолированные поверхности. В случае контакта с находящимся под напряжением проводом напряжение передается на металлические детали электроинструмента, что может привести к поражению оператора электрическим током.

12. **Ни в коем случае не кладите электроинструмент до полной остановки насадки.** Вращающаяся насадка может коснуться поверхности и вывести электроинструмент из-под контроля.
13. **Не включайте электроинструмент во время переноски.** Случайный контакт с вращающейся насадкой может привести к заземлению одежды и притягиванию насадки к телу.
14. **Регулярно прочищайте вентиляционные отверстия электроинструмента.** Вентилятор электродвигателя засасывает пыль внутрь корпуса, а значительные скопления металлической пыли могут привести к поражению электрическим током.
15. **Не используйте электроинструмент вблизи легковоспламеняющихся материалов.** Эти материалы могут воспламениться от искр.
16. **Не используйте насадки, требующие жидкостного охлаждения.** Использование воды или других охлаждающих жидкостей может привести к поражению электрическим током, в том числе смертельному.

#### **Отдача и соответствующие предупреждения:**

Отдача – это мгновенная реакция на неожиданное застопоривание вращающегося диска, подошвы, щетки или другой принадлежности. Зажимание или застопоривание вызывает резкий останов вращающейся принадлежности, что, в свою очередь, приводит к неконтролируемому рывку электроинструмента в направлении, противоположном вращению принадлежности в момент застревания. Например, если абразивный диск зажимается или прихватывается деталью, то край диска, находящийся в точке заклинивания, может углубиться в поверхность детали, что приведет к выкатыванию или выскакиванию диска. Диск может совершить рывок в направлении оператора или обратно, в зависимости от направления движения диска в точке заклинивания. Также в этих условиях абразивные диски могут разламываться.

Отдача – это результат неправильного использования электроинструмента и/или неправильных методов или условий работ, чего можно избежать, соблюдая нижеуказанные меры предосторожности.

1. **Крепко держите электроинструмент обеими руками и располагайте свое тело и руки так, чтобы можно было сопротивляться силам отдачи.** Обязательно пользуйтесь вспомогательной рукояткой (при наличии), чтобы обеспечить максимальный контроль над отдачей или крутящим моментом во время пуска. Оператор способен справиться с крутящим моментом и силами отдачи при условии соблюдения соответствующих мер безопасности.
2. **Ни в коем случае не располагайте руки вблизи вращающейся насадки.** При отдаче насадка может задеть руки.
3. **Не становитесь на возможной траектории движения электроинструмента в случае отдачи.** При отдаче инструмент сместится в направлении, противоположном вращению диска в момент застревания.
4. **Соблюдайте особую осторожность при обработке углов, острых краев и т. п. Не допускайте подпрыгивания и защемления насадки.** Углы, острые края и подпрыгивание способствуют заземлению вращающейся насадки, которое приводит к выходу из-под контроля или отдаче.
5. **Не устанавливайте на инструмент пильную цепь, принадлежность для резьбы по дереву, сегментированный алмазный диск с периферийным зазором более 10 мм или пильный диск.** Такие диски часто дают отдачу и приводят к потере контроля.

#### **Специальные предупреждения о безопасности для операций шлифования и резки:**

1. **Используйте диски только указанных для вашего электроинструмента типов и специальные защитные приспособления, предназначенные для выбранного диска.** Диски, не предназначенные для данного электроинструмента, не обеспечивают достаточную степень защиты и небезопасны.
2. **Шлифовальная поверхность дисков с утопленным центром должна быть установлена под плоской поверхностью кромки кожуха.** Для неправильно установленного диска, выступающего над плоской поверхностью кромки кожуха, надлежащая защита не гарантируется.
3. **Кожух должен быть надежно закреплен на электроинструменте и расположен для обеспечения максимальной защиты таким образом, чтобы как можно меньший сегмент диска выступал в сторону оператора.** Кожух помогает обезопасить оператора от разлета осколков разрушившегося диска, случайного прикосновения к диску и искр, которые могут воспламенить одежду.
4. **Диски должны использоваться только по указанному назначению.** Например: не шлифуйте краем отрезного диска. Абразивные отрезные диски предназначены для периферийного шлифования; боковые усилия, приложенные к таким дискам, могут вызвать их разрушение.
5. **Используйте только неповрежденные фланцы для дисков соответствующего размера и формы.** Подходящие фланцы поддерживают диск, снижая вероятность его повреждения. Фланцы для отрезных дисков могут отличаться от фланцев для шлифовальных дисков.
6. **Не используйте изношенные диски от более крупных электроинструментов.** Диск, предназначенный для более мощного электроинструмента, не подходит для высокооборотного электроинструмента меньшей мощности и может разломиться.
7. **При использовании дисков двойного назначения обязательно используйте кожух, подходящий для выполняемой операции.** Использование неподходящего кожуха не обеспечивает нужного уровня защиты, что может привести к тяжелой травме.

## **Дополнительные предупреждения о безопасности в отношении операций резки:**

1. **Не “заклинивайте” отрезной диск и не прикладывайте к нему чрезмерное давление. Не пытайтесь делать слишком глубокий разрез.** Перенапряжение диска увеличивает нагрузку и вероятность искривления или застревания диска в прорези, а также отдачи или поломки диска.
2. **Не становитесь на возможной траектории движения вращающегося диска и позади него.** Если во время работы диск движется от вас, то при отдаче вращающийся диск и электроинструмент может отбросить прямо на вас.
3. **Если диск застревает или процесс резания прерывается по какой-либо причине, выключите электроинструмент и держите его неподвижно до полной остановки диска. Не пытайтесь извлечь отрезной диск из разреза до полной остановки диска, в противном случае может возникнуть отдача.** Выясните и устраните причину застревания диска.
4. **Не перезапускайте отрезной диск, пока он находится в детали. Дождитесь, пока диск разовьет максимальную скорость, и осторожно погрузите его в разрез.** Если перезапустить электроинструмент непосредственно в обрабатываемой детали, то диск может застрять, а отдача может отбросить его вверх или назад.
5. **Устанавливайте опоры под панели или крупные детали, чтобы минимизировать опасность застревания диска и возникновения отдачи.** Крупные детали обычно прогибаются под собственным весом. Опоры должны помещаться под разрезаемой деталью рядом с линией разреза и рядом с краем детали с обеих сторон от диска.
6. **Будьте особенно осторожны при выполнении “врезки” в имеющихся стенах или на других участках, недоступных для осмотра.** Выступающая часть диска может перерезать газовые или водопроводные трубы, электропроводку или другие предметы, что может вызвать отдачу.
7. **Не пытайтесь делать криволинейные разрезы.** Перенапряжение диска увеличивает нагрузку и вероятность искривления или застревания диска в прорези, а также отдачи или поломки диска, что может причинить тяжелую травму.
8. **Перед использованием сегментированного алмазного диска убедитесь, что периферийный зазор между сегментами алмазного диска не превышает 10 мм, только с отрицательным передним углом наклона.**

## **Специальные инструкции по технике безопасности для выполнения шлифовальных операций:**

1. **Используйте круглую наждачную бумагу надлежащего размера. При выборе наждачной бумаги следуйте рекомендациям производителя.** При использовании наждачной бумаги большего размера, при котором она слишком сильно выступает за края подложки, существует опасность разрыва бумаги, а также возможность защемления, разрушения круга или отдачи.

## **Специальные инструкции по технике безопасности в отношении операций очистки проволочной щеткой:**

1. **Берегитесь кусков проволоки, разлетающихся от щетки даже в нормальном режиме работы. Не прикладывайте чрезмерное усилие к проволоке, слишком сильно нажимая на щетку.** Куски проволоки могут легко пробить легкую одежду и/или кожу.
2. **Если для очистки проволочными щетками предписано использовать кожу, не допускайте контакта проволочного диска или щетки с кожей.** Проволочный диск или щетка могут увеличиваться в диаметре под воздействием нагрузки и центробежных сил.

## **Дополнительные правила техники безопасности:**

1. **При применении дисков с утопленным центром используйте только диски, армированные стекловолокном.**
2. **ЗАПРЕЩАЕТСЯ ИСПОЛЬЗОВАТЬ с этим инструментом шлифовальные чашки для камня.** Данная шлифмашина не предназначена для дисков такого типа, их использование может привести к тяжелой травме.
3. **Будьте осторожны во избежание повреждения шпинделя, фланца (особенно его установочной поверхности) или контргайки.** Повреждения этих деталей могут привести к поломке диска.
4. **Перед включением выключателя убедитесь, что диск не касается детали.**
5. **Перед использованием инструмента на реальной детали дайте ему немного поработать вхолостую.** Следите за вибрацией или биением, которые могут свидетельствовать о неправильной установке или плохой балансировке диска.
6. **Для выполнения шлифования пользуйтесь соответствующей поверхностью диска.**
7. **Не оставляйте работающий инструмент без присмотра.** Включайте инструмент только тогда, когда он находится в руках.
8. **Сразу после окончания работ не прикасайтесь к обработанной детали.** Она может быть очень горячей, что приведет к ожогам кожи.
9. **Сразу после окончания работ не прикасайтесь к вспомогательным деталям.** Они могут быть очень горячими, что приведет к ожогам кожи.
10. **Соблюдайте инструкции изготовителя по правильной установке и использованию дисков и принадлежностей.** Неправильная установка и использование может привести к травме.
11. **Бережно обращайтесь с дисками и аккуратно храните их.**
12. **Не пользуйтесь отдельными переходными втулками или адаптерами для крепления абразивных дисков с большими отверстиями.**
13. **Пользуйтесь только фланцами, предназначенными для данного инструмента.**

## Важные правила техники безопасности для работы с аккумуляторным блоком

14. Для инструментов, предназначенных для использования дисков с резьбовым отверстием, убедитесь, что резьба диска достаточна, чтобы диск можно было полностью завернуть на шпиндель.
15. Убедитесь, что обрабатываемая деталь имеет надлежащую опору.
16. Обратите внимание на то, что диск будет некоторое время вращаться после выключения инструмента.
17. Если в месте выполнения работ очень высокая температура и влажность или наблюдается большое количество токопроводящей пыли, используйте прерыватель цепи (30 мА) для обеспечения безопасности работ.
18. Не используйте инструмент на любых материалах, содержащих асбест.
19. При использовании отрезного диска обязательно работайте с защитным кожухом с пылеотводом, если его установка необходима в соответствии с местными нормативными требованиями.
20. Не подвергайте отрезные круги какому-либо боковому давлению.
21. Не пользуйтесь тканевыми перчатками во время работы. Волокна от тканевых перчаток могут попасть в инструмент и привести к его поломке.
22. Перед началом работы убедитесь в том, что под поверхностью обрабатываемой детали не проходят линии электроснабжения, водопроводы или газопроводы. Несоблюдение данного требования может привести к поражению электрическим током, утечке электрического тока или газа.
23. Если к диску прикреплена прокладка, не снимайте ее. Диаметр прокладки должен превышать размеры контргайки, наружного фланца и внутреннего фланца.
24. Перед установкой шлифовального диска обязательно проверяйте, чтобы прокладка не имела никаких дефектов, в частности отколотых частей или трещин.
25. Затягивайте контргайку с надлежащим усилием. В случае перетягивания диска возможна его поломка, а недостаточное затягивание может привести к возникновению вибраций.

## СОХРАНИТЕ ДАННЫЕ ИНСТРУКЦИИ.

**▲ОСТОРОЖНО: НЕ ДОПУСКАЙТЕ**, чтобы удобство или опыт эксплуатации данного устройства (полученный от многократного использования) доминировали над строгим соблюдением правил техники безопасности при обращении с этим устройством. **НЕПРАВИЛЬНОЕ ИСПОЛЬЗОВАНИЕ** инструмента или несоблюдение правил техники безопасности, указанных в данном руководстве, может привести к тяжелой травме.

1. Перед использованием аккумуляторного блока прочитайте все инструкции и предупреждающие надписи на (1) зарядном устройстве, (2) аккумуляторном блоке и (3) инструменте, работающем от аккумуляторного блока.
2. Не разбирайте блок аккумулятора и не меняйте его конструкцию. Это может привести к пожару, перегреву или взрыву.
3. Если время работы аккумуляторного блока значительно сократилось, немедленно прекратите работу. В противном случае, может возникнуть перегрев блока, что приведет к ожогам и даже к взрыву.
4. В случае попадания электролита в глаза промойте их обильным количеством чистой воды и немедленно обратитесь к врачу. Это может привести к потере зрения.
5. Не замыкайте контакты аккумуляторного блока между собой:
  - (1) Не прикасайтесь к контактам какими-либо токопроводящими предметами.
  - (2) Не храните аккумуляторный блок в контейнере вместе с другими металлическими предметами, такими как гвозди, монеты и т. п.
  - (3) Не допускайте попадания на аккумуляторный блок воды или дождя.Замыкание контактов аккумуляторного блока между собой может привести к возникновению большого тока, перегреву, возможным ожогам и даже поломке блока.
6. Не храните и не используйте инструмент и аккумуляторный блок в местах, где температура может достигать или превышать 50 °C (122 °F).
7. Не бросайте аккумуляторный блок в огонь, даже если он сильно поврежден или полностью вышел из строя. Аккумуляторный блок может взорваться под действием огня.
8. Запрещено вбивать гвозди в блок аккумулятора, резать, ломать, бросать, ронять блок аккумулятора или ударять его твердым предметом. Это может привести к пожару, перегреву или взрыву.
9. Не используйте поврежденный аккумуляторный блок.
10. Входящие в комплект литий-ионные аккумуляторы должны эксплуатироваться в соответствии с требованиями законодательства об опасных товарах. При коммерческой транспортировке, например, третьей стороной или экспедитором, необходимо нанести на упаковку специальные предупреждения и маркировку. В процессе подготовки устройства к отправке обязательно проконсультируйтесь со специалистом по опасным материалам. Также соблюдайте местные требования и нормы. Они могут быть строже. Закройте или закрепите разомкнутые контакты и упакуйте аккумулятор так, чтобы он не перемещался по упаковке.
11. Для утилизации блока аккумулятора извлеките его из инструмента и утилизируйте безопасным способом. Выполняйте требования местного законодательства по утилизации аккумуляторного блока.

12. Используйте аккумуляторы только с продукцией, указанной Makita. Установка аккумуляторов на продукцию, не соответствующую требованиям, может привести к пожару, перегреву, взрыву или утечке электролита.
13. Если инструментом не будут пользоваться в течение длительного периода времени, извлеките аккумулятор из инструмента.
14. Во время и после использования блок аккумулятора может нагреваться, что может стать причиной ожогов или низкотемпературных ожогов. Будьте осторожны при обращении с горячим блоком аккумулятора.
15. Не прикасайтесь к контактам инструмента сразу после использования, поскольку они могут быть достаточно горячими, чтобы вызвать ожоги.
16. Не допускайте налипания на контакты, отверстия и пазы блока аккумулятора опилок, пыли или земли. Это может стать причиной перегрева, возгорания, взрыва или неисправности инструмента или блока аккумулятора, что может привести к ожогам или травмам.
17. Если инструмент не рассчитан на использование вблизи высоковольтных линий электропередач, не используйте блок аккумулятора вблизи высоковольтных линий электропередач. Это может привести к неисправности, поломке инструмента или блока аккумулятора.
18. Храните аккумулятор в недоступном для детей месте.

## СОХРАНИТЕ ДАННЫЕ ИНСТРУКЦИИ.

**ВНИМАНИЕ:** Используйте только фирменные аккумуляторные батареи Makita. Использование аккумуляторных батарей, не произведенных Makita, или батарей, которые были подвергнуты модификациям, может привести к взрыву аккумулятора, пожару, травмам и повреждению имущества. Это также автоматически аннулирует гарантию Makita на инструмент и зарядное устройство Makita.

## Советы по обеспечению максимального срока службы аккумулятора

1. Заряжайте блок аккумуляторов перед его полной разрядкой. Обязательно прекратите работу с инструментом и зарядите блок аккумуляторов, если вы заметили снижение мощности инструмента.
2. Никогда не подзаряжайте полностью заряженный блок аккумуляторов. Перезарядка сокращает срок службы аккумулятора.
3. Заряжайте блок аккумуляторов при комнатной температуре в 10 - 40 °C (50 - 104 °F). Перед зарядкой горячего блока аккумуляторов дайте ему остыть.
4. Если блок аккумулятора не используется, извлеките его из инструмента или зарядного устройства.
5. Зарядите ионно-литиевый аккумуляторный блок, если вы не будете пользоваться инструментом длительное время (более шести месяцев).

## ОПИСАНИЕ РАБОТЫ

**ОСТОРОЖНО:** Перед регулировкой или проверкой функций инструмента обязательно убедитесь, что он выключен и его аккумуляторный блок снят.

## Установка или снятие блока аккумуляторов

**ВНИМАНИЕ:** Обязательно выключайте инструмент перед установкой и извлечением аккумуляторного блока.

**ВНИМАНИЕ:** При установке и извлечении аккумуляторного блока крепко удерживайте инструмент и аккумуляторный блок. Если не соблюдать это требование, они могут выскользнуть из рук, что приведет к повреждению инструмента, аккумуляторного блока и травмированию оператора.

► **Рис.1:** 1. Красный индикатор 2. Кнопка 3. Блок аккумулятора

Для снятия аккумуляторного блока нажмите кнопку на лицевой стороне и извлеките блок.

Для установки блока аккумулятора совместите выступ блока аккумулятора с пазом в корпусе и задвиньте его на место. Устанавливайте блок до упора, чтобы он зафиксировался с небольшим щелчком. Если вы видите красный индикатор, как показано на рисунке, он не зафиксирован полностью.










**ВНИМАНИЕ:** Обязательно устанавливайте блок аккумулятора до конца, чтобы красный индикатор не был виден. В противном случае блок аккумулятора может выпасть из инструмента и нанести травму вам или другим людям.

**ВНИМАНИЕ:** Не прилагайте чрезмерных усилий при установке аккумуляторного блока. Если блок не двигается свободно, значит он вставлен неправильно.

## Индикация оставшегося заряда аккумулятора

Нажмите кнопку проверки на аккумуляторном блоке для проверки заряда. Индикаторы загорятся на несколько секунд.

► **Рис.2:** 1. Индикаторы 2. Кнопка проверки

Индикаторы			Уровень заряда
			
			от 75 до 100%
			от 50 до 75%
			от 25 до 50%
			от 0 до 25%
			Зарядите аккумуляторную батарею.
	 ↑ ↓		Возможно, аккумуляторная батарея неисправна.

**ПРИМЕЧАНИЕ:** В зависимости от условий эксплуатации и температуры окружающего воздуха индикация может незначительно отличаться от фактического значения.

**ПРИМЕЧАНИЕ:** Первая (дальняя левая) индикаторная лампа будет мигать во время работы защитной системы аккумулятора.

## Система защиты инструмента/аккумулятора

На инструменте предусмотрена система защиты инструмента/аккумулятора. Она автоматически отключает питание двигателя для продления срока службы инструмента и аккумулятора. Инструмент автоматически остановится во время работы в следующих случаях:

### Защита от перегрузки

Если из-за способа эксплуатации инструмент/аккумулятор потребляет очень большое количество тока, он автоматически остановится без включения каких-либо индикаторов. В этом случае выключите инструмент и прекратите работу, повлекшую перегрузку инструмента. Затем включите инструмент для перезапуска.

### Защита от перегрева

При перегреве инструмента/аккумулятора инструмент останавливается автоматически. Дайте инструменту остыть перед возобновлением работы.

### Защита от переразрядки

При истощении емкости аккумулятора инструмент автоматически останавливается. В этом случае извлеките аккумулятор из инструмента и зарядите его.

### Выключение защитной блокировки

Если постоянно срабатывает защитная система, инструмент блокируется. В этой ситуации инструмент не запустится даже при выключении и повторном включении. Чтобы выключить защитную блокировку, извлеките аккумулятор, установите его в зарядное устройство и дождитесь окончания зарядки.

## Защита от других неполадок

Система защиты также обеспечивает защиту от других неполадок, способных повредить инструмент, и обеспечивает автоматическую остановку инструмента. В случае временной остановки или прекращения работы инструмента выполните все перечисленные ниже действия для устранения причины остановки.

1. Выключите и снова включите инструмент для его перезапуска.
2. Зарядите аккумулятор(-ы) или замените его(их) заряженным(-и).
3. Дайте инструменту и аккумулятору(-ам) остыть.

Если после возврата системы защиты в исходное состояние ситуация не изменится, обратитесь в сервисный центр Makita.

## Фиксатор вала

**⚠ОСТОРОЖНО:** Ни в коем случае не задевайте фиксатор вала при вращающемся шпинделе. Это может вызвать тяжелую травму или вывести инструмент из строя.

Нажмите на фиксатор вала для предотвращения вращения шпинделя при установке или снятии дополнительных принадлежностей.

► **Рис.3:** 1. Фиксатор вала

## Действие выключателя

**⚠ВНИМАНИЕ:** Перед установкой блока аккумулятора в инструмент обязательно убедитесь, что его рычаг переключателя нормально работает и возвращается в положение “OFF” (ВЫКЛ.) при отпускании.

**⚠ВНИМАНИЕ:** В целях безопасности инструмент оснащен рычагом блокировки в выключенном положении, который предотвращает случайное включение инструмента. **ЗАПРЕЩЕНО** использовать инструмент, если он включается после нажатия рычага переключателя без нажатия рычага разблокировки. **ПРЕКРАТИТЕ** использование инструмента и передайте его в авторизованный сервисный центр для надлежащего ремонта.

**⚠ВНИМАНИЕ:** Не давите сильно на рычаг переключателя, не нажав на рычаг разблокировки. Это может привести к поломке переключателя.

**⚠ВНИМАНИЕ:** ЗАПРЕЩЕНО фиксировать рычаг разблокировки при помощи липкой ленты и вносить изменения в его конструкцию.

Для предотвращения случайного нажатия рычаг переключателя оборудован рычагом разблокировки. Для включения инструмента потяните рычаг разблокировки на себя и нажмите на рычаг переключателя. Для выключения инструмента отпустите рычаг переключателя.

► **Рис.4:** 1. Рычаг разблокировки 2. Рычаг переключателя

## Функция предотвращения случайного запуска

При установке блока аккумулятора с ползунковым переключателем в положении ВКЛ инструмент не запускается.

Для запуска инструмента переведите переключатель в положение ВЫКЛ и включите его снова.

## Функция распознавания активной обратной связи

С помощью электронного устройства инструмент определяет, что существует риск защемления диска или другой принадлежности. При выявлении таких рисков инструмент автоматически отключается для предотвращения дальнейшего вращения шпинделя (это не предотвращает отдачу).

Чтобы перезапустить инструмент, сначала отключите его. Устраните причину внезапного снижения скорости вращения и вновь включите инструмент.

## Функция плавного запуска

Функция плавного запуска снижает начальный рывок инструмента.

## Электрический тормоз

Электрический тормоз активируется после выключения инструмента.

Тормоз не активируется, если питание отключено (например при извлеченном аккумуляторе), а переключатель находится в положении Вкл.

## СБОРКА

**▲ОСТОРОЖНО:** Перед регулировкой или проверкой функций инструмента обязательно убедитесь, что он выключен и его аккумуляторный блок снят.

## Установка боковой ручки (рукоятки)

**▲ВНИМАНИЕ:** Перед работой всегда проверьте надежность крепления боковой ручки.

Почно закрепите боковую ручку на месте винтом, как показано на рисунке.

► Рис.5

## Установка или снятие кожуха диска

**▲ОСТОРОЖНО:** При использовании диска с утопленным центром, откидного круга, гибкого диска или дисковой проволочной щетки установите защитный кожух так, чтобы закрытая сторона кожуха была направлена к оператору.

**▲ОСТОРОЖНО:** Убедитесь в том, что кожух диска надежно зафиксирован стопорным рычагом в одном из отверстий на кожухе диска.

**▲ОСТОРОЖНО:** При использовании абразивного отрезного диска/алмазного диска может применяться только специальный защитный кожух, предназначенный для отрезных дисков.

## Для диска с утопленным центром, откидного круга, гибкого диска, дисковой проволочной щетки / абразивного отрезного диска, алмазного диска

1. Удерживая нажатым стопорный рычаг, установите кожух диска, совместив выступы на кожухе диска с пазами на корпусе подшипника.

► Рис.6: 1. Стопорный рычаг 2. Паз 3. Выступ

2. Толкая рычаг блокировки в направлении А, прижмите части В кожуха диска, как показано на рисунке.

► Рис.7: 1. Кожух диска 2. Отверстие

**ПРИМЕЧАНИЕ:** На кожух диска следует надавливать прямолинейно. В противном случае кожух диска не зафиксируется.

3. Толкая рычаг блокировки в направлении А, поверните кожух диска в направлении С, после чего измените угол кожуха диска в зависимости от выполняемой работы, чтобы обеспечить защиту оператора. Совместите рычаг блокировки с одним из отверстий в кожухе диска, после чего отпустите рычаг блокировки, чтобы зафиксировать кожух диска.

► Рис.8: 1. Кожух диска 2. Отверстие

Для снятия кожуха диска выполните процедуру установки в обратном порядке.

## Пристегивная насадка на кожух отрезного диска

### Дополнительные принадлежности

**ПРИМЕЧАНИЕ:** Для операций резки кожух диска (для шлифовального диска) может использоваться с пристегивной насадкой на кожух отрезного диска.

В некоторых странах эта возможность недоступна.

► Рис.9

## Установка и снятие диска с утопленным центром или откидного круга

### Дополнительные принадлежности

**▲ ОСТОРОЖНО:** При использовании диска с утопленным центром или откидного круга кожух диска должен быть установлен так, чтобы его закрытая сторона была обращена к оператору.

**▲ ОСТОРОЖНО:** Убедитесь, что крепежный компонент внутреннего фланца идеально совпадает с внутренним диаметром диска с утопленным центром/откидного круга. Установка внутреннего фланца не с той стороны может привести к возникновению опасной вибрации.

Установите на шпindelь внутренний фланец. Убедитесь, что часть с выемкой внутреннего фланца установлена на ровный участок у нижней части шпинделя.

Установите диск с утопленным центром/откидной круг на внутренний фланец и закрутите контргайку на шпинделе.

► **Рис.10:** 1. Контргайка 2. Диск с утопленным центром 3. Внутренний фланец 4. Крепежный компонент

Для затяжки контргайки сильно надавите на фиксатор вала, чтобы шпindelь не проворачивался, затем воспользуйтесь ключом контргайки и крепко затяните ее по часовой стрелке.

► **Рис.11:** 1. Ключ контргайки 2. Фиксатор вала

Для снятия диска выполните процедуру установки в обратном порядке.

## Установка и снятие гибкого диска

### Дополнительные принадлежности

**▲ ОСТОРОЖНО:** При установке на инструмент гибкого диска обязательно используйте прилагаемый кожух. Во время работы диск может разрушиться. Защитный кожух снизит риск получения травмы.

► **Рис.12:** 1. Контргайка 2. Гибкий диск 3. Вспомогательная подушка 4. Внутренний фланец

Следуйте указаниям для диска с утопленным центром, а также установите над диском вспомогательную подушку.

## Установка или снятие абразивного круга

### Дополнительные принадлежности

**ПРИМЕЧАНИЕ:** Используйте принадлежности для шлифования, указанные в данном руководстве. Их необходимо приобретать отдельно.

### Для модели 100 мм (4 дюйма)

► **Рис.13:** 1. Шлифовальная контргайка 2. Абразивный круг 3. Резиновая подушка 4. Внутренний фланец

1. Установите на шпindelь внутренний фланец.
2. Установите резиновую подушку на шпindelь.
3. Установите круг на резиновую подушку и наверните на шпindelь шлифовальную контргайку.
4. Закрепите шпindelь с помощью фиксатора вала и надежно затяните шлифовальную контргайку по часовой стрелке с помощью ключа.

Для снятия круга выполните процедуру установки в обратном порядке.

### Для моделей кроме 100 мм (4 дюйма)

► **Рис.14:** 1. Шлифовальная контргайка 2. Абразивный круг 3. Резиновая подушка

1. Установите резиновую подушку на шпindelь.
2. Установите круг на резиновую подушку и наверните на шпindelь шлифовальную контргайку.
3. Закрепите шпindelь с помощью фиксатора вала и надежно затяните шлифовальную контргайку по часовой стрелке с помощью ключа.

Для снятия круга выполните процедуру установки в обратном порядке.

## Установка или снятие гайки Ezy nut

### Дополнительные принадлежности

Только для инструментов с резьбой шпинделя M14.

Установите внутренний фланец, абразивный диск и гайку Ezy nut на шпindelь так, чтобы логотип Makita на гайке Ezy nut был направлен наружу.

► **Рис.15:** 1. Гайка Ezy nut 2. Абразивный диск 3. Внутренний фланец 4. Шпindelь

Сильно надавите на фиксатор вала и затяните гайку Ezy nut, повернув абразивный диск по часовой стрелке до упора.

► **Рис.16:** 1. Фиксатор вала

Чтобы ослабить гайку Ezy nut, поверните ее внешнее кольцо против часовой стрелки.

**ПРИМЕЧАНИЕ:** Гайку Ezy nut можно ослабить без использования инструментов, если стрелка указывает на паз. В противном случае необходимо воспользоваться ключом для контргайки. Вставьте один зуб ключа в отверстие и поверните гайку Ezy nut против часовой стрелки.

► **Рис.17:** 1. Стрелка 2. Паз

► **Рис.18**

## Установка абразивного отрезного/ алмазного диска

### Дополнительные принадлежности

**⚠ОСТОРОЖНО:** При использовании абразивного отрезного диска/алмазного диска может применяться только специальный защитный кожух, предназначенный для отрезных дисков.

**⚠ОСТОРОЖНО:** ЗАПРЕЩАЕТСЯ использовать отрезной диск для шлифовки боковой поверхностью.

**⚠ВНИМАНИЕ:** При установке алмазного диска обязательно совмещайте направление стрелки на диске со стрелкой на инструменте.

- **Рис.19:** 1. Контргайка 2. Абразивный отрезной диск/алмазный диск 3. Внутренний фланец 4. Защитный кожух для абразивного отрезного диска/алмазного диска

Сведения по установке см. в инструкциях к диску с утопленным центром.

Направление установки контргайки и внутреннего фланца зависит от типа и толщины диска. Придерживайтесь следующих значений.

### Для модели 100 мм (4 дюйма)

При установке абразивного отрезного диска:

- **Рис.20:** 1. Контргайка 2. Абразивный отрезной диск (тоньше 4 мм (5/32 дюйма)) 3. Абразивный отрезной диск (4 мм (5/32 дюйма) или толще) 4. Внутренний фланец

При установке алмазного диска:

- **Рис.21:** 1. Контргайка 2. Алмазный диск (тоньше 4 мм (5/32 дюйма)) 3. Алмазный диск (4 мм (5/32 дюйма) или толще) 4. Внутренний фланец

### Для моделей кроме 100 мм (4 дюйма)

При установке абразивного отрезного диска:

- **Рис.22:** 1. Контргайка 2. Абразивный отрезной диск (тоньше 4 мм (5/32 дюйма)) 3. Абразивный отрезной диск (4 мм (5/32 дюйма) или толще) 4. Внутренний фланец

При установке алмазного диска:

- **Рис.23:** 1. Контргайка 2. Алмазный диск (тоньше 4 мм (5/32 дюйма)) 3. Алмазный диск (4 мм (5/32 дюйма) или толще) 4. Внутренний фланец

## Установка чашечной проволочной щетки

### Дополнительные принадлежности

**⚠ВНИМАНИЕ:** Не используйте поврежденную или разбалансированную чашечную проволочную щетку. Использование поврежденной чашечной проволочной щетки может увеличить опасность получения травм от контакта с проволокой.

Положите инструмент в перевернутом положении для облегчения доступа к шпинделю. Снимите со шпинделя все дополнительные принадлежности. Наверните проволочную чашечную щетку на шпиндель и затяните прилагаемым ключом.

- **Рис.24:** 1. Чашечная проволочная щетка

## Установка дисковой проволочной щетки

### Дополнительные принадлежности

**⚠ВНИМАНИЕ:** Не используйте поврежденную или разбалансированную дисковую проволочную щетку. Использование поврежденной дисковой проволочной щетки может увеличить риск получения травм от контакта с проволокой.

**⚠ВНИМАНИЕ:** При работе с дисковой проволочной щеткой ВСЕГДА используйте защитный кожух, убедившись, что диаметр диска соответствует внутреннему диаметру кожуха. Во время работы диск может разрушиться. Защитный кожух снизит риск получения травмы.

Положите инструмент в перевернутом положении для облегчения доступа к шпинделю. Снимите со шпинделя все дополнительные принадлежности. Установите дисковую проволочную щетку на шпиндель и затяните ее с помощью ключей.

- **Рис.25:** 1. Дисковая проволочная щетка

## Установка головки для вырезания отверстий

### Дополнительные принадлежности

Положите инструмент в перевернутом положении для облегчения доступа к шпинделю. Снимите все насадки со шпинделя. Наверните на шпиндель головку для вырезания отверстий и затяните ее гаечным ключом из комплекта.

- **Рис.26:** 1. Головка для вырезания отверстий

## Установка кожуха шлифовального диска с пылеотводом

Только для модели GA049G / GA050G

### Дополнительные принадлежности

При использовании дополнительных приспособлений данный инструмент можно использовать для шлифовки бетонных поверхностей.

**▲ВНИМАНИЕ:** Защитный кожух с патрубком для удаления пыли для несоосного алмазного диска предназначен только для шлифовки бетонных поверхностей с помощью несоосного алмазного диска. Запрещено использовать этот кожух с другими приспособлениями для резки или для других целей.

**▲ВНИМАНИЕ:** Перед эксплуатацией убедитесь, что пылесос подсоединен к инструменту и включен.

Положите инструмент в перевернутом положении и установите кожух диска с пылеотводом. Закрепите внутренний фланец на шпindelе. Установите алмазный чашеобразный диск на внутренний фланец и затяните контргайку на шпindelе.

► **Рис.27:** 1. Контргайка 2. Алмазный чашеобразный диск 3. Алмазный чашеобразный диск со втулкой 4. Внутренний фланец 5. Кожух шлифовального диска с пылеотводом 6. Вкладыш подшипника

**ПРИМЕЧАНИЕ:** Информацию по установке кожуха диска с пылеотводом см. в руководстве к кожуху диска с пылеотводом.

## Установка кожуха отрезного диска с пылеотводом

Только для модели GA048G / GA049G / GA050G

### Дополнительные принадлежности

Применяя дополнительные принадлежности, данный инструмент можно использовать для резки каменных материалов.

► **Рис.28**

**ПРИМЕЧАНИЕ:** Информацию по установке кожуха диска с пылеотводом см. в руководстве к кожуху диска с пылеотводом.

## ЭКСПЛУАТАЦИЯ

**▲ОСТОРОЖНО:** Никогда не прилагайте к инструменту чрезмерные усилия. Вес инструмента обеспечивает достаточное давление. Чрезмерное усилие и давление могут привести к опасному разрушению диска.

**▲ОСТОРОЖНО: ОБЯЗАТЕЛЬНО** замените диск, если при шлифовании инструмент упал.

**▲ОСТОРОЖНО: ЗАПРЕЩАЕТСЯ** стучать и бить диском по обрабатываемой детали.

**▲ОСТОРОЖНО:** Избегайте подпрыгивания и зацепления диска, особенно при обработке углов, острых краев и т. д. Это может привести к потере контроля и отдаче.

**▲ОСТОРОЖНО:** Запрещается использовать инструмент с полотнами для обработки дерева или другими пильными дисками. При использовании на шлифмашине такие диски часто выскакивают, выходят из-под контроля и приводят к травмам.

**▲ВНИМАНИЕ:** Запрещается включать инструмент, если он касается обрабатываемого изделия. Это может стать причиной травмы оператора.

**▲ВНИМАНИЕ:** Во время выполнения операции всегда надевайте защитные очки или защитную маску.

**▲ВНИМАНИЕ:** После работы всегда отключайте инструмент и дождитесь полной остановки диска перед тем, как положить инструмент.

**▲ВНИМАНИЕ: ВСЕГДА** крепко держите инструмент, положив одну руку на корпус, а вторую - на боковую ручку (рукоятку).

**ПРИМЕЧАНИЕ:** Диск двойного назначения может использоваться как для шлифования, так и для резки.

Информация об операциях шлифовки представлена в разделе "Шлифовка и зачистка", а информация об операциях резки – в разделе "Выполнение работ с абразивным отрезным / алмазным диском".

## Шлифовка и зачистка

► **Рис.29**

Включите инструмент, а затем прижмите диск или круг к обрабатываемой детали. Обычно следует держать край диска или круга под углом около 15 градусов относительно поверхности обрабатываемой детали. В период приработки нового диска не перемещайте шлифмашину вперед, поскольку диск может врезаться в обрабатываемую деталь. После того как кромка диска закруглится от использования, можно будет перемещать его в обоих направлениях (вперед и назад).

**Пример использования: применение алмазного чашеобразного диска**

► **Рис.30**

Держа инструмент горизонтально, поместите алмазный чашеобразный диск на поверхность обрабатываемой детали.

## Выполнение работ с абразивным отрезным/алмазным диском

### Дополнительные принадлежности

**⚠ОСТОРОЖНО:** Не “заклинивайте” диск и не оказывайте на него чрезмерное давление. Не пытайтесь делать слишком глубокий разрез. Чрезмерное давление на диск увеличивает нагрузку и вероятность искривления или застревания диска в прорези, а также возможность отдачи, поломки диска и перегрева электродвигателя.

**⚠ОСТОРОЖНО:** Не запускайте отрезной диск, пока он находится в детали. Дайте диску раскрутиться до максимальной скорости, а затем осторожно введите в разрез, перемещая инструмент вперед по поверхности обрабатываемой детали. Диск может застрять, отдача может отбросить его вверх или назад, если запустить электроинструмент, когда диск находится в детали.

**⚠ОСТОРОЖНО:** Во время операций резания нельзя менять угол наклона диска. Боковое давление на отрезной диск (как при шлифовке) приводит к растрескиванию и разрушению диска, в результате чего возможны серьезные травмы.

**⚠ОСТОРОЖНО:** Работы с алмазным диском необходимо выполнять, удерживая его перпендикулярно рабочей поверхности.

Пример использования: применение абразивного отрезного диска  
▶ Рис.31

Пример использования: применение алмазного диска  
▶ Рис.32

## Операции с чашечной проволочной щеткой

### Дополнительные принадлежности

**⚠ВНИМАНИЕ:** Проверьте работу чашечной проволочной щетки, запустив инструмент на холостом ходу и предварительно убедившись в том, что никто не находится перед ним или на одной линии с чашечной проволочной щеткой.

**ПРИМЕЧАНИЕ:** Не прилагайте слишком большое давление, поскольку это может привести к изгибанию проволоки во время использования чашечной проволочной щетки. Это может стать причиной преждевременной поломки.

Пример использования: применение чашечной проволочной щетки  
▶ Рис.33

## Работа с дисковой проволочной щеткой

### Дополнительные принадлежности

**⚠ВНИМАНИЕ:** Проверьте работу дисковой проволочной щетки, запустив инструмент на холостом ходу и предварительно убедившись, что никто не находится перед ним или на одной линии с дисковой проволочной щеткой.

**ПРИМЕЧАНИЕ:** Не прилагайте слишком большое давление, так как оно может привести к тому, что проволока погнется во время использования дисковой проволочной щетки. Это может стать причиной преждевременной поломки.

Пример использования: применение дисковой проволочной щетки  
▶ Рис.34

## Работа с головкой для вырезания отверстий

### Дополнительные принадлежности

**⚠ВНИМАНИЕ:** Проверьте работу головки для вырезания отверстий, запустив инструмент на холостом ходу, предварительно убедившись в том, что никто не находится перед ним или на одной линии с головкой для вырезания отверстий.

**ПРИМЕЧАНИЕ:** Не наклоняйте инструмент во время работы. Это может привести к преждевременной поломке.

Пример использования: применение головки для вырезания отверстий  
▶ Рис.35

## ОБСЛУЖИВАНИЕ

**⚠ОСТОРОЖНО:** Перед проведением проверки или работ по техобслуживанию всегда проверяйте, что инструмент выключен, а блок аккумуляторов снят.

**ПРИМЕЧАНИЕ:** Запрещается использовать бензин, растворители, спирт и другие подобные жидкости. Это может привести к обезжелезиванию, деформации и трещинам.

Для обеспечения БЕЗОПАСНОСТИ и НАДЕЖНОСТИ обслуживания ремонт, любое другое техобслуживание или регулировку необходимо производить в уполномоченных сервис-центрах Makita или сервис-центрах предприятия с использованием только сменных частей производства Makita.

### Очистка вентиляционного отверстия

Инструмент и его вентиляционные отверстия должны содержаться в чистоте. Производите регулярную очистку вентиляционных отверстий инструмента или очищайте их в случае засорения.

▶ Рис.36: 1. Вытяжное отверстие 2. Впускное вентиляционное отверстие

Снимите пылезащитную крышку с впускного вентиляционного отверстия и очистите ее, чтобы обеспечить свободное прохождение воздуха.

▶ Рис.37: 1. Пылезащитный кожух

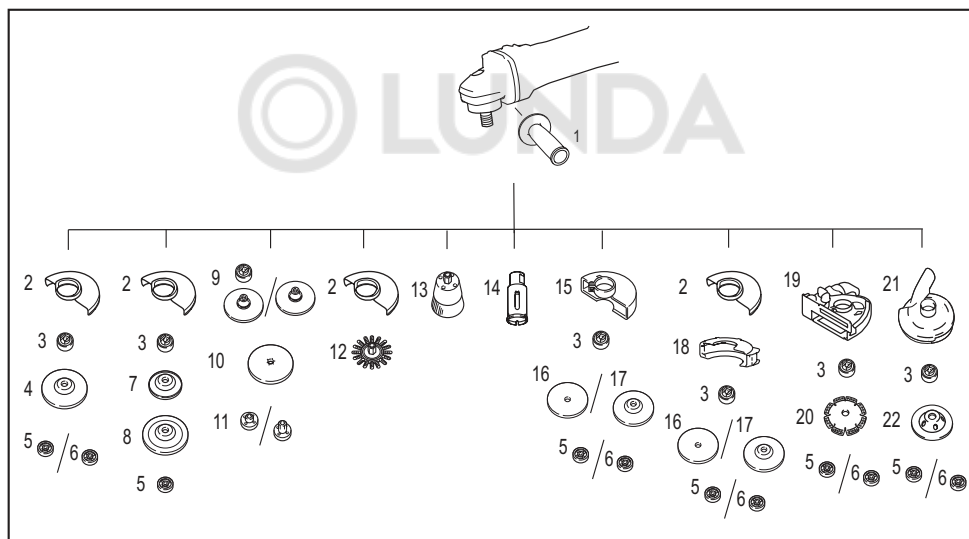
**ПРИМЕЧАНИЕ:** При засорении пылезащитного кожуха пылью или посторонними веществами очистите его. Продолжение эксплуатации с засоренным пылезащитным кожухом приведет к повреждению инструмента.

# СОЧЕТАНИЕ СФЕР ПРИМЕНЕНИЯ И ПРИНАДЛЕЖНОСТЕЙ

## Дополнительные принадлежности

**▲ВНИМАНИЕ:** Использование инструмента с неправильно подобранными кожухами может приводить к возникновению следующих рисков.

- При использовании кожуха отрезного диска для поверхностного шлифования кожух диска может цепляться за обрабатываемую деталь, ухудшая контроль над инструментом.
- При использовании кожуха шлифовального диска для операций резки с шлифовальными кругами с абразивом на связке и алмазными кругами существует повышенный риск соприкосновения с вращающимися кругами, а также попадания разлетающихся искр и частиц или фрагментов круга в случае его разрыва.
- При использовании кожуха отрезного диска или кожуха шлифовального диска для поверхностных операций с алмазными чашеобразными дисками кожух диска может цепляться за обрабатываемую деталь, ухудшая контроль над инструментом.
- При использовании кожуха отрезного диска или кожуха шлифовального диска с проволочной щеткой дискового типа толщиной, превышающей максимальное значение, указанное в разделе "ТЕХНИЧЕСКИЕ ХАРАКТЕРИСТИКИ", проволока может цепляться за кожух, что приводит к ее разламыванию.
- Использование кожухов с пылеотводом для дисков, применяемых в целях резки и поверхностной обработки бетона или камня, снижает риск попадания пыли на оператора.
- При использовании дисков двойного назначения (с комбинированным абразивом для шлифования и резки) с фланцевым креплением используйте только кожух для отрезного диска.



-	Сфера применения	Модель 100 мм	Модель 115 мм	Модель 125 мм	Модель 150 мм
1	-	Боковая ручка			
2	-	Кожух диска (для шлифовального диска)			
3	-	Внутренний фланец			
4	Шлифование / обработка наждачной бумагой	Диск с утопленным центром/откидной круг			
5	-	Контргайка			
6	-	-	Гайка Ezynut *1		
7	-	Вспомогательная подушка			
8	Шлифование	Гибкий диск			
9	-	Внутренний фланец и резиновая подушка 76	Резиновая подушка 100	Резиновая подушка 115	Резиновая подушка 125

-	Сфера применения	Модель 100 мм	Модель 115 мм	Модель 125 мм	Модель 150 мм
10	Обработка наждачной бумагой	Абразивный круг			
11	-	Шлифовальная контргайка			
12	Очистка проволочной щеткой	Дисковая проволочная щетка			
13	Очистка проволочной щеткой	Чашечная проволочная щетка			
14	Вырезание отверстий	Головка для вырезания отверстий			
15	-	Кожух диска (для отрезного диска)			
16	Резка	Абразивный отрезной диск / алмазный диск			
17	Шлифование / резка	Диск двойного назначения			-
18	-	Пристегивная насадка на кожух отрезного диска *2			
19	-	Кожух с пылеотводом для отрезного диска *3			-
20	Резка	Алмазный диск			-
21	-	-	Кожух с пылеотводом для шлифовального диска *4		-
22	Шлифование	-	Алмазный чашеобразный диск *4		-
-	-	Ключ контргайки			

**ПРИМЕЧАНИЕ:** \*1 Только для инструментов с резьбой шпинделя M14.

**ПРИМЕЧАНИЕ:** \*2 В некоторых странах пристегивная насадка на кожух отрезного диска не предлагается. Более подробную информацию см. в руководстве по эксплуатации пристегивной насадки на кожух отрезного диска.

**ПРИМЕЧАНИЕ:** \*3 Только для модели GA048G / GA049G / GA050G

Подробнее см. в инструкции по эксплуатации каждого кожуха.

**ПРИМЕЧАНИЕ:** \*4 Только для модели GA049G / GA050G

Подробнее см. в инструкции по эксплуатации каждого кожуха.

## ДОПОЛНИТЕЛЬНЫЕ ПРИНАДЛЕЖНОСТИ

**⚠ ВНИМАНИЕ:** Данные принадлежности или приспособления рекомендуются для использования с инструментом Makita, указанным в настоящем руководстве. Использование других принадлежностей или приспособлений может привести к получению травмы. Используйте принадлежность или приспособление только по указанному назначению.

Если вам необходимо содействие в получении дополнительной информации по этим принадлежностям, свяжитесь с вашим сервис-центром Makita.

- Оригинальный аккумулятор и зарядное устройство Makita
- Список принадлежностей приведен в разделе "СОЧЕТАНИЕ СФЕР ПРИМЕНЕНИЯ И ПРИНАДЛЕЖНОСТЕЙ"

**ПРИМЕЧАНИЕ:** Некоторые элементы списка могут входить в комплект инструмента в качестве стандартных приспособлений. Они могут отличаться в зависимости от страны.



# Makita Europe N.V.

Jan-Baptist Vinkstraat 2, 3070 Kortenberg, Belgium

# Makita Corporation

3-11-8, Sumiyoshi-cho, Anjo, Aichi 446-8502 Japan

[www.makita.com](http://www.makita.com)



885A31A989  
EN, SV, NO, FI, DA,  
LV, LT, ET, RU  
20230214