

PHILIPS

Water heater

Electrical

Storage

AWH1600/51(30DA)
AWH1601/51(50DA)
AWH1602/51(80DA)
AWH1603/51(100DA)



User manual

Read this manual before use
and retain for future reference

EAC

© LUNDA

CONTENTS

EN

NOTATION USED	3
SAFETY REGULATIONS.....	4
PURPOSE	5
PRINCIPLE OF OPERATION	5
SYSTEM OF DEVICE	6
SPECIFICATIONS.....	7
INSTALLATION	8
MOUNTING	10
RCD (RESIDUAL CURRENT DEVICE)	12
EXPLOITATION	12
SERVICE.....	14
TROUBLESHOOTING.....	15
ELECTRICAL PRINCIPAL DIAGRAM.....	15
TRANSPORTATION AND STORAGE.....	16
EQUIPMENT.....	16
SERVICE LIFE	16
DATE OF MANUFACTURE	16
DISPOSAL RULES	16
PRODUCT CERTIFICATION.....	17
WARRANTY.....	19

СОДЕРЖАНИЕ

RU

ИСПОЛЬЗУЕМЫЕ ОБОЗНАЧЕНИЯ	24
ПРАВИЛА БЕЗОПАСНОСТИ.....	25
НАЗНАЧЕНИЕ.....	26
ПРИНЦИП РАБОТЫ.....	26
УСТРОЙСТВО ПРИБОРА.....	27
ТЕХНИЧЕСКИЕ ХАРАКТЕРИСТИКИ.....	28
УСТАНОВКА.....	29
МОНТАЖ.....	31
УЗО (устройство защитного отключения)	33
ЭКСПЛУАТАЦИЯ	33
ОБСЛУЖИВАНИЕ.....	35
ПОИСК И УСТРАНЕНИЕ НЕИСПРАВНОСТЕЙ.....	36
ЭЛЕКТРИЧЕСКАЯ ПРИНЦИПИАЛЬНАЯ СХЕМА	36
ТРАНСПОРТИРОВКА И ХРАНЕНИЕ.....	37
КОМПЛЕКТАЦИЯ	37
СРОК ЭКСПЛУАТАЦИИ.....	37
ДАТА ИЗГОТОВЛЕНИЯ	37
ПРАВИЛА УТИЛИЗАЦИИ.....	37
СЕРТИФИКАЦИЯ ПРОДУКЦИИ	38
ГАРАНТИЙНЫЕ ОБЯЗАТЕЛЬСТВА	40

Thank you for purchasing and a good choice of PHILIPS water heater!

Please read the manual and operating conditions carefully before using the device. After reading, keep this manual in a safe place for future reference.

Notation used



Caution!

Requirements that, if not followed, could result in serious injury or death.



Attention!

Requirements that, if not followed, could result in serious injury or serious equipment damage.

Note:

1. If the power cable is damaged, it must be replaced by an authorized service agent.
2. The water heater must be installed in accordance with existing local electrical codes.
3. Misprints may be made in the text and numerical designations of the instructions.
4. If after reading the instructions you still have questions about the operation of the device, contact the seller or an authorized service center for clarification.
5. There is a shield on the product, which contains technical characteristics and other useful information about the device.
6. In order to improve the quality of products, the manufacturer reserves the right to change the component parts of the product for different shipments, the color scheme and appearance of the device without prior notice, which does not violate the quality standards and legal norms adopted in the country of production / transit / sale.
7. Indicators and symbols on the display, control panels of the water heater may not match the graphic image in the user manual, it depends on the series of the device.



Safety regulations



Attention!



Caution!

- Read this instruction manual carefully before installation and operation. If you have any questions, please contact the official dealer of the manufacturer.
- Use the device only for the intended purpose specified in the user manual.
- Do not store gasoline or other volatile or flammable liquids near the water heater - this is very dangerous.
- Do not connect or disconnect the water heater from the mains by removing the plug from the socket.
- Do not put foreign objects into the openings of the water heater.
- It is forbidden to use the water heater by persons who are not familiar with the user manual, as well as children and persons under the influence of drugs, alcohol, people with limited mental, sensory or physical abilities, unless they are supervised by a person responsible for their safety.
- Do not use the water heater if there is any damage to the appliance or cable, after a malfunction, if the appliance has been dropped or damaged in any other way.
- Before installing the water heater without connecting it to the mains, check and make sure that a ground loop is present in your mains. In the absence of a ground loop in your electrical network, the operation of the water heater is life-threatening.
- Before cleaning or servicing, assembling or disassembling individual parts, and before moving the device, disconnect it from the mains.
- Do not turn on the water heater if it is not filled with water.
- It is forbidden to turn on the water heater in an electric network through an extension cord.
- Do not turn on the water heater if it is not serviceable.
- Do not remove the cover of the water heater while it is running.
- Always turn off the water heater during thunderstorms.
- If strange sounds or smoke come from the water heater, turn off the appliance immediately.
- Before cleaning and maintaining the water heater, always disconnect it from the mains. Clean and maintain according to the instructions in this instruction manual.
- Do not use or allow hazardous chemicals to clean the water heater.
- To avoid the risk of electric shock, a damaged electrical cable should only be replaced by a qualified service center.
- Since the temperature of the water in the water heater can reach +75 °C, when using the water heater, do not put any parts of your body under hot water when you turn it on for the first time. To prevent burns, adjust the outlet water temperature correctly.
- Do not use the water heater for purposes other than those specified in this instruction manual.
- Do not use the water heater in an explosive or corrosive environment.
- It is forbidden to make changes to the design of the water heater or modify it.
- Any service work must be carried out by authorized service centers. Incorrect installation may void your warranty.

- To avoid the risk of electric shock, do not place the electric cable near heaters or flammable or combustible substances.
- Do not immerse the body of the water heater in water or other liquids.
- When the device is not in use, always unplug the mains plug from the electrical outlet.
- Do not sit, stand or place any heavy objects on the water heater.
- Do not attempt to repair the water heater yourself. To repair the water heater, contact an authorized service center of the manufacturer.
- When disconnecting the water heater from the power supply, do not pull on the cord or touch it with wet hands.
- Do not install the water heater in places where it can be exposed to direct sunlight, high temperatures, or near sensitive electrical equipment.
- Be sure to check that the voltage of the water heater matches the data of the electrical network.
- Children are not aware of the dangers that can arise when using electrical appliances. Therefore, do not allow them to use or play with the appliance without your supervision. Do not leave the power cord within reach of children, even when the appliance is turned off.
- Keep packaging materials (cardboard, plastic, etc.) out of the reach of children as they may be dangerous.

Purpose

Electric water heater storage type is designed to heat cold water coming from the water supply. The water heater is used for domestic purposes.

Principle of operation

Tap water enters the water heater and is evenly distributed throughout the volume of the tank thanks to a specially installed jet divider. This contributes to the fact that the water heated with the help of a heating element inside the water heater is gradually displaced by warm masses upward, from where it is taken and supplied.

System of device

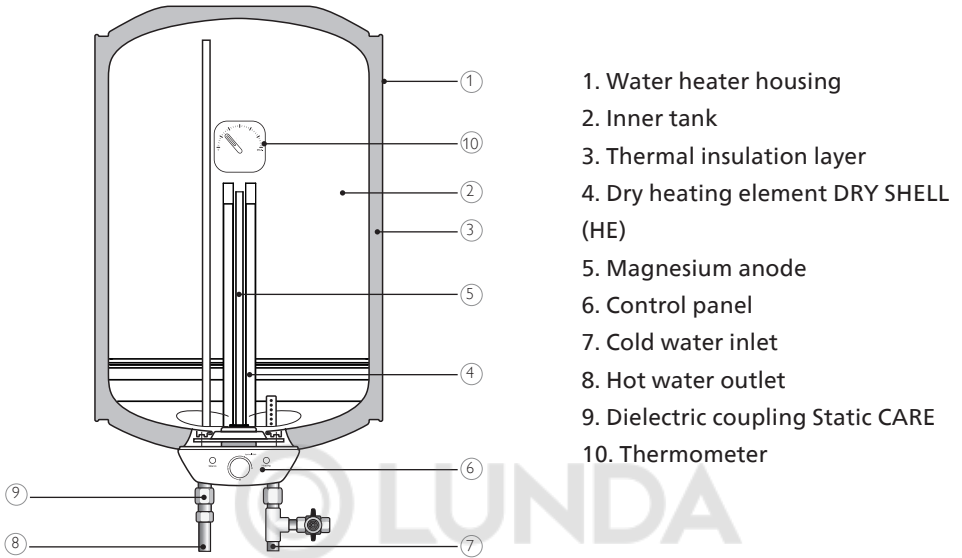


fig. 1

Specifications

Main dimensions

Model / Dimensions, mm	A	B	C	D	E	F
AWH1600/51(30DA)	624	595	180	350	10,5	103
AWH1601/51(50DA)	876	844	450	350	10,5	103
AWH1602/51(80DA)	935	910	431	420	10,5	138
AWH1603/51(100DA)	1106	1081	602	420	10,5	138

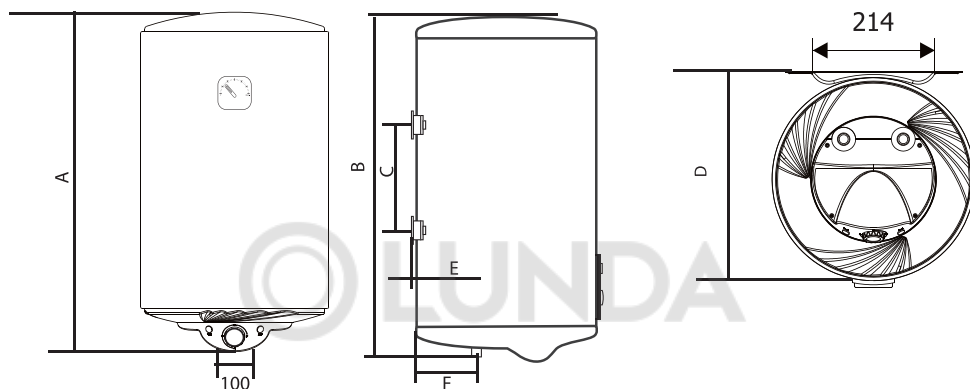


fig. 2

Parameter / Model	AWH1600/ 51(30DA)	AWH1601/ 51(50DA)	AWH1602/ 51(80DA)	AWH1603/ 51(100DA)
Tank capacity, L	30	50	80	100
Heating element type	Dry heating element DRY SHELL			
Rated input, W	2000			
Power supply, V/Hz	220-240/50			
Rated current, A	8,7			
Rated pressure, MPa	0,7			
Minimum pressure of water, Bar	0,2			
Maximum pressure of water, Bar	7,5			
Maximum temperature of water, °C	75			
Heating time, min ($\Delta t = 45\text{ }^{\circ}\text{C}$)	47	78	125	156
Ingress protection	IPX4			
Class of electric protection	I			
Net dimensions (WxHxD), mm	340x624x340	340x876x340	410x935x410	410x1106x410
Packing dimensions (WxHxD), mm	390x670x390	390x920x390	455x970x455	455x1140x455
Net weight, kg	13	15,2	23	26
Gross weight, kg	17,3	20,1	25	30,5

Installation

1. The water heater should be installed on a solid wall. The wall on which the electric water heater is to be installed must be capable of supporting at least twice the weight of the water heater when fully filled with water, and the wall must be free of cracks and other damage. Otherwise, it is necessary to take measures to strengthen the fastening or install the water heater on a special support.
2. If the bathroom is too small, the water heater can be installed in another place, closed from direct sunlight and inaccessible to moisture. However, to reduce heat losses in the pipelines, the installation site of the water heater should be as close as possible to the point of use of hot water.

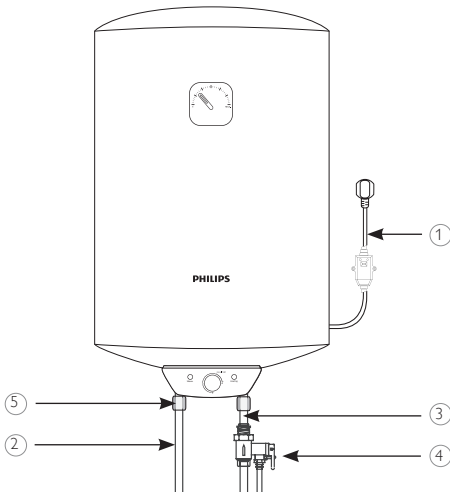


Attention!

The water heater must be installed on a vertical wall in a strictly vertical position. Installing the device in any other position or skew relative to the vertical will inevitably lead to the failure of the water heater, creating an emergency and is considered by the manufacturer as a non-warranty case.

Water heater installation methods

The installation method of the water heater for one consumption point is shown in fig. 3.



1. Power cord with plug and RCD
2. Hot water outlet
3. Cold water inlet
4. Combined safety valve
5. Dielectric coupling Static CARE

fig. 3

The installation method of the water heater for several consumption points is shown in fig. 4.

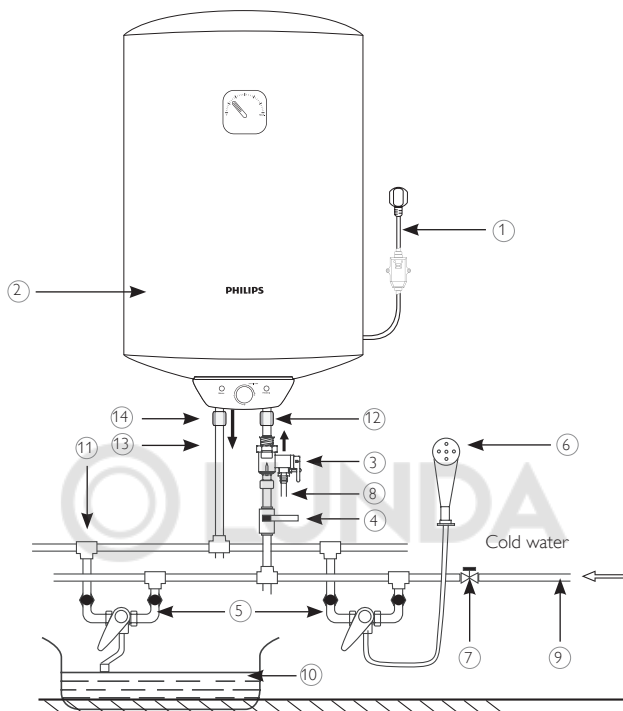


fig. 4

- | | |
|---------------------------------|-------------------------------------|
| 1. Power cord with plug and RCD | 8. Drain tube |
| 2. Mounted water heater | 9. Water supply |
| 3. Combined safety valve | 10. Bath* |
| 4. Cold water inlet tap* | 11. Tee* |
| 5. Faucet* | 12. Inlet pipe |
| 6. Shower head* | 13. Outlet pipe |
| 7. Water main shut-off valve* | 14. Dielectric coupling Static CARE |

* Not included in the scope of delivery

Mounting

1. Determine the points for the bolt holes (determined according to the specification of the instrument you have chosen). Drill two holes of appropriate depth in the wall using a drill bit that fits the bolts, install the mounting bracket, and then hang the electric water heater.
2. Attach the power outlet to the wall. The socket requirements are as follows: 220-240V / 10A, single-phase, three-wire. It is recommended to place the socket on the right side above the water heater.



Attention!

Please use the accessories provided by the manufacturer to install the water heater. The electric water heater must not be mounted on the wall before you make sure that the bracket is securely and firmly installed. Otherwise, the electric water heater may fall off the wall, resulting in damage and even serious injury or injury. When determining the points for holes for anchor bolts, a free space between the bottom of the water heater and the floor should be at least 0.6 m.



Attention!

The water pressure in the water heater corresponds to the water pressure in the water main. If the pressure in the line exceeds 0.7 MPa, then a pressure reducer should be installed in front of the water heater so that the pressure does not exceed 0.7 MPa.



Attention!

In places or on a wall where water can enter, the installation height of the electrical outlet must be at least 1.8 m.

Water supply connection

1. The water heater is connected to a water supply network with a pressure of at least 0.02 MPa, maximum 0.75 MPa
2. To connect the water heater to the water supply, pipes with a diameter of G1/2 are used.
3. When connecting pipes, use rubber seals on the threaded pipe ends to prevent leakage.
4. Screw the safety valve onto the inlet pipe, marked in blue and with a sign of the direction of water flow, so that the water flow matches the direction of the arrow on the valve body. On the pressure relief hole of the safety valve, put a drain pipe to drain water (it may appear when heated) into the sewer.
5. The safety valve is installed on the cold water pipe (marked with a blue ring). (maximum pressure 0.75 MPa / 7.5 Bar). If the water pressure in the line exceeds 6 Bar, a pressure reducing valve should be installed.
6. Connect the water heater with the valve mounted to the water supply network - install a shut-off valve at the water supply point.
7. Connect the desired number of consumption points to the outlet marked in red.
8. Open the shut-off valve and one of the collapsible valves. After filling the tank, as evidenced by the outflow of water from the collapsible tap, close the collapsible tap and check the tightness of all connections.

Electrical connection

1. Before connecting, make sure that the power supply at the connection point matches the parameters indicated on the identification plate with the technical data of the device. The water heater is designed to be connected to a single-phase 220–240 V electrical network. When installing the water heater, the current electrical safety regulations must be observed.
2. The electrical outlet and plug must be kept dry at all times to prevent electrical leakage. Regularly check that the electrical plug is firmly connected to the outlet. The electrical socket must be designed for a rated current of at least 10 A, an electrical cable with a core cross section of at least $3 \times 1.5 \text{ mm}^2$ (for copper). Carry out the check in the following order: insert the electric plug into the socket, after half an hour of operation, turn off the water heater and remove the plug from the socket, check with your hand if the plug has warmed up. If the plug has become hotter than 50°C , replace the outlet with a different one to avoid damage, accidents, or fire due to poor electrical contact. This should be done by a specialist..



Attention!

1. Do not mount additional devices, such as a shut-off valve, between the safety valve and the inlet pipe.
2. If the water at the installation site contains a large amount of calcium, manganese or iron salts, then it is necessary to install an appropriate filter in the supply system to reduce the amount of scale in the tank and on the heating element.
3. Before connecting the storage water heater, make sure that the water heater is properly grounded. Proper grounding is important to minimize electric shock and fire hazards. The power cord is equipped with a plug with a grounding contact. The device must be used with a properly grounded power outlet. If the outlet you plan to use is not properly grounded or protected by a time delay fuse or circuit breaker, contact a qualified electrician to install the correct outlet.
4. To ensure reliable operation and safe operation of the water heater, before using it for the first time, check that it is correctly connected to an AC 220 V electrical network. The connected water heater must be securely connected to the ground loop of your electrical network. Using the water heater without grounding is life-threatening.

RCD (residual current device)

- Prevention of electrical leakage.
- Follow the installation instructions when connecting the water heater.
- Connect the power plug to the mains, press the button on the front side of the RCD (3), the indicator light will light up.
- To test the RCD, press the TEST button (2). The Power indicator (1) will be off.
- To restart the RCD, press button (3).

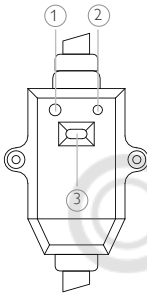


fig. 5

Exploitation

Turning on the water heater

1. Open one of the hot water outlet valves, then open the cold water supply valve. The electric water heater will begin to fill with water. When water flows freely from the hot water tap, this means that the water heater is completely filled with water and the hot water outlet tap can be closed.
2. Insert the electrical plug into the socket.

Selecting the power mode

Models of water heaters of this series operate in one power mode of 2000 W and the choice of another mode is not provided.



Attention!

During normal operation, the cold water supply tap must be set to the «open» position.

Setting the water heating temperature

1. The temperature of the water in the water heater can be set between +30 and +75 °C.
2. Turning the thermostat knob clockwise increases the water heating temperature.
3. Turning the thermostat knob counterclockwise reduces the water heating temperature.
4. The water heater automatically maintains the water temperature. When the water temperature inside the water heater reaches the temperature set by the user, the heating is automatically turned off, while the «Heating» indicator on the control panel goes out, and the «Warm» indicator lights up. When the temperature of the water inside the water heater drops to a certain level, the heating automatically turns on, while the «Heating» indicator on the control panel lights up, and the «Warm» indicator goes out.
5. By setting the thermostat knob to the "Optimal TEMP" position, you activate the mode that corresponds to the most comfortable water heating temperature (+55 °C (±2)), as well as the most efficient power consumption mode.

Shutdown

To turn off the water heater, turn the thermostat knob to the «0» position. The water heater will stop working.

It is recommended to always disconnect the water heater from the electrical mains if you do not plan to use the appliance for some time.

Thermometer

Models of the series are equipped with a thermometer (Fig. 6) that displays the current level of water heating in the internal tank.

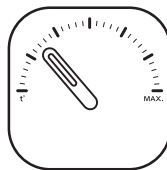


fig. 6



Attention!

During heating, water may start to drip from the opening of the safety valve. Water leakage cannot be avoided and must not be prevented, since blocking the valve can lead to rupture of the internal tank (in the event of an equipment failure).

Service

1. Check the electrical plug and socket as often as possible. Reliable electrical contact must be ensured, as well as proper grounding. The plug and socket must not become excessively hot.
2. If the water heater is not used for a long time, especially in regions with low air temperature (below $^{\circ}\text{C}$), to prevent damage to the water heater (due to freezing of water in the internal tank), the water from the heater should be drained.
3. To ensure reliable operation of the water heater for a long time and maintain warranty obligations, it is recommended that regular maintenance by specialists of authorized service centers is recommended, during which the internal tank is cleaned, salt deposits are removed from the electrical heating elements of the water heater, and the condition of the magnesium anode is checked, in case consumption of half or more is replaced. The frequency of maintenance of the water heater depends on the hardness of the water in the area. Possible intervals from 3 months to a year.

The frequency of cleaning the tank depends on the hardness of the water. Cleaning must be carried out by authorized service centers. In the warranty card, a note is required that maintenance is carried out at least once every 12 months.

4. Preventive work must be carried out with strict observance of the operating instructions and safety precautions by

specialists of authorized service centers.

5. In case of water overheating, the thermal biopolar fuse breaks the electrical circuit on both sides of the heating element. In this case, determine the cause of overheating and reset the thermostat manually by pressing the reset button located on the thermostat (or, in case of a malfunction, replace the thermostat).
6. Remember to check the operation of the safety valve every 14 days. Check method:
 - move the drain handle to the upper position until you feel the transition of the thread, and then water should flow from the valve hole.

After checking the water flow, return the handle to the previous position.

7. Check periodically for scale and blockage. Drainage of the valve, in order to avoid clogging, is carried out as follows: if the valve has a lever, then it must be lifted several times, if the valve is without a lever, it must be unscrewed and scale accumulations removed.

Attention!

1. Never drain water if its temperature is above 50°C , as this may cause burns.
2. If water does not flow, the valve is damaged. In this case, the water heater must not be used and it is recommended to call a service technician.

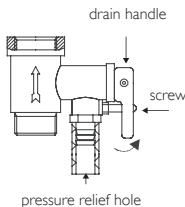


fig. 7

Troubleshooting

The phenomenon	Reasons	Treatment failure
The water temperature is too high	Damage to the water temperature control system.	Contact a repair specialist an authorized center.
Water flows from the body of the appliance	1. Destruction of the inner tank (corrosion).	Contact a repair specialist an authorized center.
	2. The seal at the connection point of the heating element is broken.	
Indicator do not light, water does not heat up	1. Damage to the temperature control device.	Contact a repair specialist an authorized service center.
	2. The temperature limiter has been activated or not activated	Turn on the thermal switch, following the instructions for turning it on.
	3. Damage to the temperature limiting device.	Contact a repair specialist an authorized service center.
No water flows from the hot water tap	1. The water supply is turned off.	Wait until the water supply is restored.
	2. Too low water pressure.	Turn on the water heater again when normal water pressure is restored.
	3. Closed cold water tap.	Open the cold water supply tap.
Water leak	The seal at the pipe connection is broken.	Replace joint seal.

Electrical principal diagram

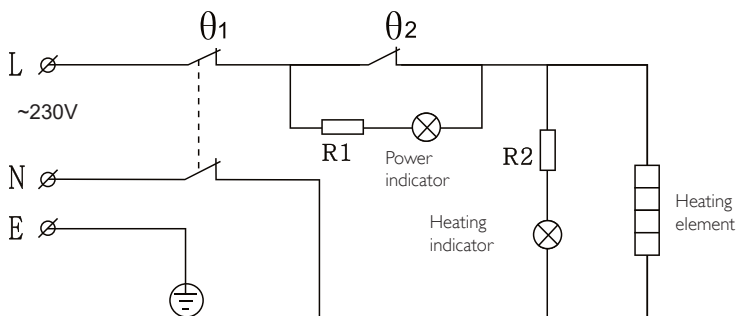


fig. 8

Transportation and storage

Products should be stored in dry, ventilated warehouses at a temperature not lower than -30°C.

1. During transportation and storage, the requirements of handling signs on the packaging of the device must be strictly observed.
2. During transportation, any possible shocks and movements of the package inside the vehicle must be excluded.
3. Temperature requirements: from -30 to +50 °C.
4. Humidity requirements: 15 to 85% (no condensation).

Equipment

- Water heater — 1 pc.
- Safety valve — 1 pc.
- Anchor bolts — 2 pcs.
- Dielectric coupling Static CARE - 2 pcs.
- User Manual / Warranty card - 1 pc.
- Packing — 1 pc.

Service life

The service life of the water heater is 15 years, provided that the relevant installation and operation regulations are observed.

Date of manufacture

The date of manufacture is indicated on the device and is determined as follows:

N^o XXXXXXXXXXXXXXXX

↑
year / month / day of production

Disposal rules

At the end of its useful life, the device must be disposed of in accordance with the rules, regulations and methods in force at the place of disposal. Do not dispose of the device with household waste.



At the end of the device's useful life, take it to a collection point for recycling, if this is required by the rules and regulations in your area. This will help avoid possible consequences for the environment and human health, and will also encourage the reuse of product components. Information about where and how you can dispose of the appliance can be obtained from your local authorities.

Product certification

The product meets the requirements:

TR CU 004/2011 «On safety of low-voltage equipment», TR CU 020/2011 «Electromagnetic compatibility of technical equipment».

TR EEU 037/2016 «On restriction of using hazardous substances in the electrical and radioelectronic articles».

Manufacturer:

AQUASHIELD EUROPE s.r.o.
Hájkova 1, Prague 3 130 00 Czech Republic.

Importer in the Russian Federation:

«Kompaniya BIS» LLC
119180, Moscow, B.Polyanka str., 2, bld.2,
R. 1/8,
the Russian Federation
Tel: 8 495 150-50-05,
e-mail: climate@breez.ru

Made in China



COMMISSIONING INFORMATION


Date of work	Service center name	Full name of the master	Produced works

SERVICE INFORMATION

Service Number №	Service date	Cleaning the inner tank and inspection of the heating element	Replacing the magnesium anode with a branded one	Replacing the AWH9820 filter cartridge	Service center name	Full name of the master	Seal, Signature



WARRANTY

Model	Serial number
Date of manufacture	Guarantee period
Date of sale*	Mounting date**
Customer	
	
Salesman	
The organization that installs the equipment	

* date of signing the bill of lading

** date of signing of the Certificate of acceptance of equipment into operation

WARRANTY

Dear Customer!

Thank you for choosing a PHILIPS product.

You have made the right choice in favor of quality equipment.

This document does not limit the rights of the Buyers defined by law, but supplements and clarifies the provisions stipulated by law. The conditions and rules set out in this warranty card are voluntary unilateral obligations of the Manufacturer to the Buyer and regulate the procedure for their relationship in connection with the quality guarantee provided.

We ask you to carefully study the terms of the warranty and make sure that the warranty card has been correctly filled out and has the stamp of the Seller. In the absence of the Seller's stamp and the date of sale (or a cash receipt with the date of sale), the warranty period of the product is calculated from the date of manufacture of the product.

Carefully check the appearance of the product and its completeness, present all claims regarding the appearance and completeness of the product to the Seller upon purchase of the product.

For installation (connection) of water heaters, we recommend contacting our authorized service centers. The Seller/Manufacturer shall not be liable for defects in the product resulting from its improper installation (connection), failure to comply with the requirements of the Installation section of the User Manual.

Information about service centers authorized to repair and maintain the product can be found on the Philips.com website.

The warranty period for water heaters is:

- 1) 24 months - unconditional guarantee.
- 2) 48 months for all electrical components and 72 months for tank leakage under the following conditions:
 - a) Installation of the water heater in accordance with the rules for installation, storage and transportation.
 - b) Annual maintenance by an authorized service center with the replacement of the magnesium anode with a branded one.
- 3) 60 months for all electrical components and 120 months for tank leakage under the following conditions:
 - a) Installation of the water heater in accordance with the rules for installation, storage and transportation.

b) Annual maintenance by an authorized service center with the replacement of the magnesium anode with a branded one.

c) Installing a branded AWH9820 filter with its annual maintenance *

Information about the maintenance performed is recorded in the operation manual.

The warranty for the equipment is valid under the following operating conditions:

- use of the product in strict accordance with the instruction manual; compliance with regulations and safety requirements.

The warranty periods apply only to products that have been used for domestic purposes, not related to business activities.

Warranty obligations apply only to types of breakdowns caused by a proven manufacturing defect of the manufacturer. All other types of breakdowns must be eliminated by the forces and at the expense of the Buyer.

The product warranty is valid only if the warranty card is filled out correctly and the following information is available:

- model name;
- serial number (located on a special label with the EAN-128 code);
- Date of sale;

Seal of the seller's company and signature of the representative of the seller's company.

In case of failure of the product during the warranty period, you must contact an authorized service center or the Seller of the product.

Warranty repair of the product is carried out in authorized service centers within a period not exceeding 30 (thirty) days.

This warranty does not give any right to recover or cover damages resulting from alteration and adjustment of the product without the prior written consent of the Manufacturer.

The warranty does not apply to: consumables and component parts of the equipment, the failure and / or scheduled replacement of which during the warranty period is due to the very need for their use. These include: various filters, various lamps and light bulbs, fuses, trim parts and housings. The magnesium anode is a consumable item and is not covered under warranty.

*replace the cartridge filter once a year.

**INFORMATION ABOUT WARRANTY REPAIRS
(TO BE COMPLETED BY AN AUTHORIZED SERVICE CENTER (ASC)):**

Name of ASC	Date of application to the ASC	End date of repair	Description of the defect	Spare part replacement	Full name of the master	ASC seal





Благодарим вас за приобретение и удачный выбор водонагревателя PHILIPS!

Просим вас внимательно ознакомиться с руководством и условиями эксплуатации перед использованием устройства. После прочтения сохраните данное руководство в надежном месте для дальнейшего применения.

Используемые обозначения



Осторожно!

Требования, несоблюдение которых может привести к серьезной травме или летальному исходу.



Внимание!

Требования, несоблюдение которых может привести к тяжелой травме или серьезному повреждению оборудования.

Примечание:

1. Если поврежден кабель питания, он должен быть заменен авторизованной сервисной службой.
2. Водонагреватель должен быть установлен с соблюдением существующих местных норм и правил эксплуатации электрических сетей.
3. В тексте и цифровых обозначениях инструкции могут быть допущены опечатки.
4. Если после прочтения инструкции у вас останутся вопросы по эксплуатации прибора, обратитесь к продавцу или в авторизованный сервисный центр для получения разъяснений.
5. На изделии присутствует этикетка, на которой указаны технические характеристики и другая полезная информация о приборе.
6. В целях улучшения качества продукции производитель оставляет за собой право изменять комплектующие части изделия для разных партий поставок, цветовую гамму и внешний вид прибора без предварительного уведомления, что не нарушает принятые на территории страны производства/транзита/реализации стандарты качества и нормы законодательства.
7. Индикаторы и символы на дисплее, панели управления водонагревателя могут не совпадать с графическим изображением в руководстве по эксплуатации, это зависит от серии выпуска прибора.

Правила безопасности



Внимание!



Осторожно!

- Внимательно прочитайте данное руководство по эксплуатации перед установкой и эксплуатацией. Если у вас возникнут вопросы, обращайтесь к официальному дилеру производителя.
- Используйте прибор только по назначению, указанному в руководстве по эксплуатации.
- Не храните бензин и другие летучие и легковоспламеняющиеся жидкости вблизи водонагревателя – это очень опасно.
- Не подключайте и не отключайте водонагреватель от электрической сети, вынимая вилку из розетки.
- Не засовывайте посторонние предметы в отверстия водонагревателя.
- Запрещается использовать водонагреватель лицам, не знакомым с руководством пользователя, а также детям и лицам, находящимся под воздействием лекарств, алкоголя, людям с ограниченными умственными, сенсорными или физическими способностями, если они не находятся под наблюдением ответственного за их безопасность лица.
- Не допускается использование водонагревателя при наличии каких-либо повреждений у прибора или кабеля, после сбоя в работе, после падения устройства или его повреждения любым другим способом.
- Перед установкой водонагревателя, не подключая его к электросети, проверьте и убедитесь, что в вашей электросети присутствует заземляющий контур. При отсутствии заземляющего контура в вашей электросети эксплуатация водонагревателя опасна для жизни.
- Перед очисткой или обслуживанием, сборкой или разборкой индивидуальных частей и перед перемещением устройства отсоедините его от электрической сети.
- Запрещается включать водонагреватель, если он не наполнен водой.
- Запрещается включать водонагреватель в электрическую сеть через удлинитель.
- Запрещается включать водонагреватель, если он неисправен.
- Запрещается снимать крышку водонагревателя, если он работает.
- Всегда отключайте водонагреватель во время грозы.
- Если из водонагревателя идут странные звуки или дым, немедленно отключите прибор.
- Перед началом чистки и технического обслуживания водонагревателя всегда отключайте его от электрической сети. Чистку и техническое обслуживание производите в соответствии с указаниями данного руководства по эксплуатации.
- Не используйте опасные химические вещества для чистки водонагревателя и не допускайте их попадания на него.
- Во избежание опасности поражения электрическим током поврежденный электрический кабель должен меняться только квалифицированными специалистами сервисного центра.
- Поскольку температура воды в водонагревателе может достигать +75 °С, при использовании водонагревателя не следует подставлять части тела под горячую воду при первом включении. Для предотвращения ожогов правильно отрегулируйте температуру вытекающей воды.
- Не используйте водонагреватель в целях, не предусмотренных этим руководством по эксплуатации.
- Не используйте водонагреватель во взрывоопасной или коррозионной среде.
- Запрещено вносить изменения в конструкцию водонагревателя или модифицировать его.
- Любые сервисные работы должны проводиться авторизованными сервисными центрами. Неправильная установка может повлечь за собой отказ в гарантийном обслуживании.

- Во избежание опасности поражения электрическим током не размещайте электрический кабель рядом с нагревательными приборами и легковоспламеняющимися или горючими веществами.
- Не погружайте корпус водонагревателя в воду и другие жидкости.
- Если устройство не используется, то всегда отсоединяйте штепсельную вилку от электрической розетки.
- Не садитесь, не становитесь и не ставьте какие-либо тяжелые предметы на водонагреватель.
- Не пытайтесь самостоятельно ремонтировать водонагреватель. Для ремонта водонагревателя обратитесь в авторизованный сервисный центр производителя.
- При отключении водонагревателя от сети электропитания не тяните за шнур и не дотрагивайтесь до него влажными руками.
- Не устанавливайте водонагреватель в местах, где он может быть подвержен воздействию прямых солнечных лучей, высоких температур, рядом с чувствительной электротехникой.
- Обязательно убедитесь в том, что напряжение водонагревателя соответствует данным электрической сети.
- Дети не осознают опасности, которая может возникнуть при использовании электроприборов. Поэтому не разрешайте им использовать или играть прибором без вашего присмотра. Не оставляйте шнур питания в зоне досягаемости для детей, даже если электроприбор выключен.
- Храните упаковочные материалы (картон, пластик и т.д.) в недоступном для детей месте, поскольку они могут представлять опасность.

Назначение

Электрический водонагреватель накопительного типа предназначен для нагрева холодной воды, поступающей из водопровода. Водонагреватель применяется в бытовых целях.

Принцип работы

Водопроводная вода поступает в водонагреватель и равномерно распределяется по всему объему бака благодаря специально установленному рассекателю струи. Это способствует тому, что нагретая с помощью ТЭНа внутри водонагревателя вода теплыми массами постепенно вытесняется вверх, откуда и производится ее забор и подача.

Устройство прибора

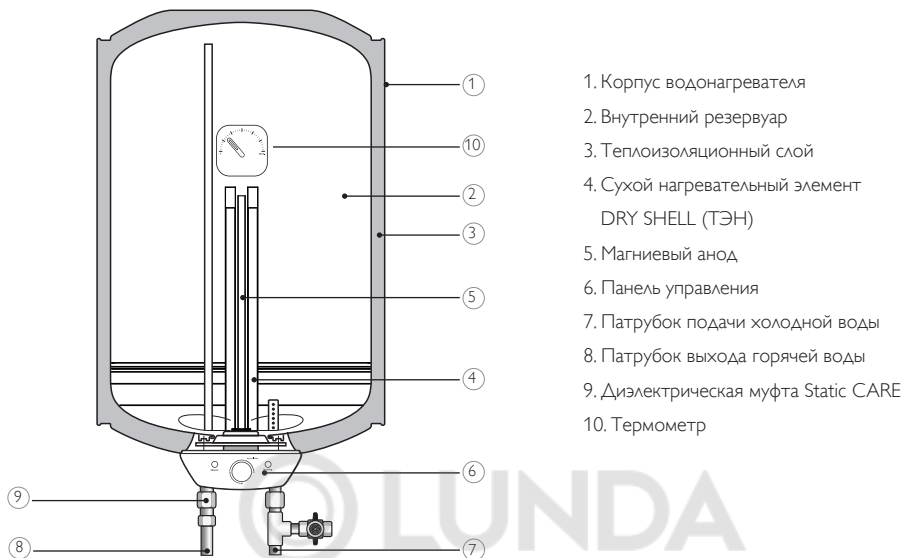


Рис. 1

Технические характеристики

Основные размеры

Модель / Размеры, мм	A	B	C	D	E	F
AWH1600/51(30DA)	624	595	180	350	10,5	103
AWH1601/51(50DA)	876	844	450	350	10,5	103
AWH1602/51(80DA)	935	910	431	420	10,5	138
AWH1603/51(100DA)	1106	1081	602	420	10,5	138

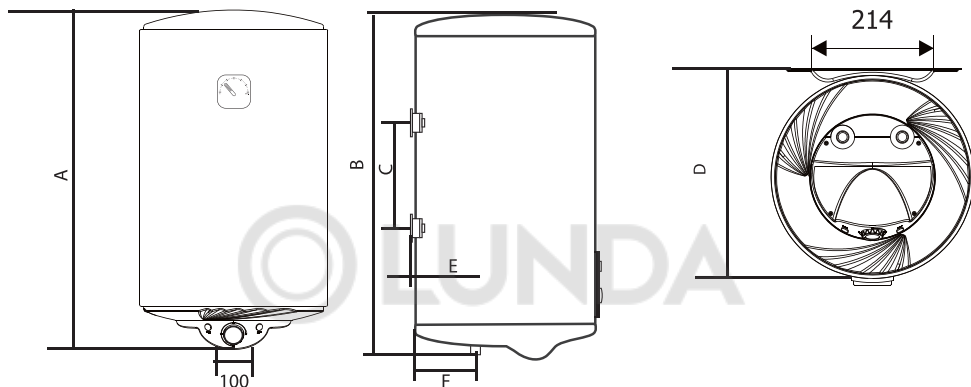


Рис. 2

Параметр / Модель	AWH1600/ 51(30DA)	AWH1601/ 51(50DA)	AWH1602/ 51(80DA)	AWH1603/ 51(100DA)
Объем бака, л	30	50	80	100
Тип нагревательного элемента	Сухой нагревательный элемент DRY SHELL			
Номинальная мощность, Вт	2000			
Электропитание, В/Гц	220-240/50			
Номинальный ток, А	8,7			
Номинальное давление, МПа	0,7			
Минимальное давление воды, Бар	0,2			
Максимальное давление воды, Бар	7,5			
Максимальная температура воды, °С	75			
Время нагрева воды (при $\Delta t^\circ = 45^\circ \text{C}$)	47	78	125	156
Степень защиты	IPX4			
Класс электрозащиты	I			
Размеры прибора (ШxВxГ), мм	340x624x340	340x876x340	410x935x410	410x1106x410
Размеры упаковки (ШxВxГ), мм	390x670x390	390x920x390	455x970x455	455x1140x455
Вес нетто, кг	13	15,2	23	26
Вес брутто, кг	17,3	20,1	25	30,5

Установка

1. Водонагреватель следует устанавливать на прочной стене. Стена, на которой устанавливается электрический водонагреватель, должна выдерживать как минимум двойной вес водонагревателя, полностью заполненного водой, на стене должны отсутствовать трещины и другие повреждения. В противном случае необходимо принять меры для усиления крепления или установить водонагреватель на специальной опоре.
2. Если ванная комната слишком маленькая, водонагреватель можно установить в другом месте, закрытом от прямого солнечного света и недоступном для попадания влаги. Однако для снижения потерь тепла в трубопроводах место установки водонагревателя должно находиться как можно ближе к месту использования горячей воды.



Внимание!

Водонагреватель должен быть установлен на вертикальную стену строго в вертикальном положении. Установка прибора в любом другом положении или перекосе относительно вертикали неизбежно приведет к выходу водонагревателя из строя, созданию аварийной обстановки и рассматривается производителем как негарантийный случай.

Способы монтажа водонагревателя

Способ монтажа водонагревателя для одной точки потребления представлен на рис. 3.

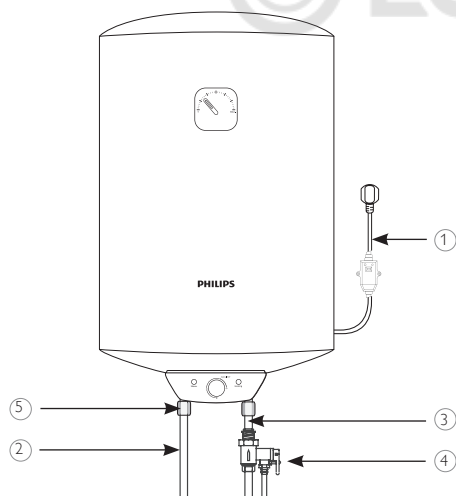


Рис. 3

1. Сетевой шнур с вилкой и УЗО
2. Выходной патрубок горячей воды
3. Входной патрубок холодной воды
4. Комбинированный предохранительный клапан
5. Диэлектрическая муфта Static CARE

Способ монтажа водонагревателя для нескольких точек потребления представлен на рис. 4.

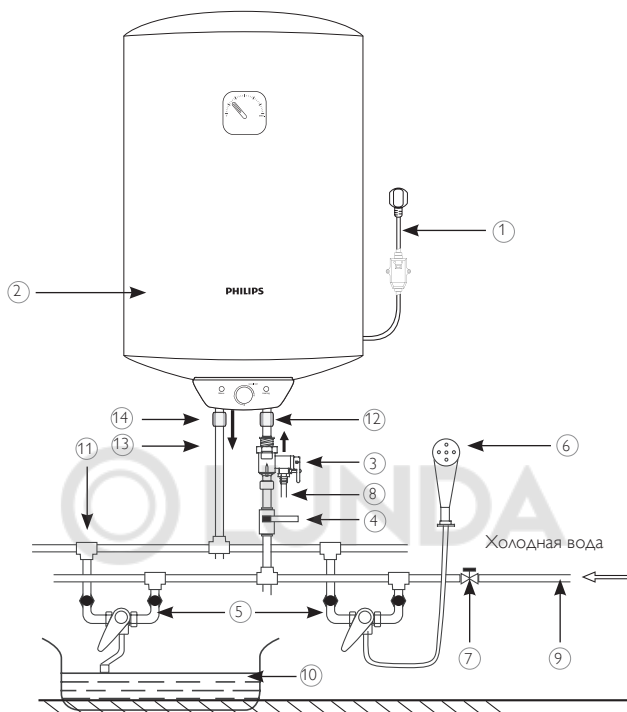


Рис. 4

- | | |
|---------------------------------------------|---------------------------------------|
| 1. Сетевой шнур с вилкой и УЗО | 8. Сливная трубка |
| 2. Смонтированный водонагреватель | 9. Водопроводная магистраль |
| 3. Комбинированный предохранительный клапан | 10. Ванна* |
| 4. Кран входа холодной воды* | 11. Тройник* |
| 5. Смеситель* | 12. Входной патрубок |
| 6. Душевая насадка* | 13. Выходной патрубок |
| 7. Отсечный кран водопроводной магистрали* | 14. Диэлектрическая муфта Static CARE |

* Не входит в комплект поставки

Монтаж

1. Определите точки для отверстий под болты (определяются в соответствии со спецификацией прибора, который вы выбрали). Просверлите в стене два отверстия соответствующей глубины с использованием сверла, подходящего по размеру под болты, установите кронштейн крепления и затем повесьте электрический водонагреватель.
2. Прикрепите сетевую розетку к стене. Требования к розетке следующие: 220–240 В / 10 А, однофазная, трёхпроводная. Рекомендуется разместить розетку с правой стороны выше водонагревателя.



Внимание!

Пожалуйста, для установки водонагревателя используйте принадлежности, предоставленные производителем.

Электрический водонагреватель нельзя крепить на стене до того, как вы убедитесь, что кронштейн установлен надёжно и прочно. В противном случае электрический водонагреватель может упасть со стены, что может привести к его повреждению и даже к серьёзным происшествиям с причинением вреда здоровью и получением травм. При определении точек для отверстий под анкерные болты следует предусмотреть свободное пространство между нижней частью водонагревателя и полом не менее 0,6 м.



Внимание!

Давление воды в водонагревателе соответствует давлению воды в водопроводной магистрали. Если в магистрали давление превышает 0,7 МПа, то следует смонтировать перед водонагревателем редуктор давления, чтобы давление не превышало 0,7 МПа.



Внимание!

В местах или на стене, куда может попасть вода, высота установки электрической розетки должна быть не менее 1,8 м.

Подключение к водопроводной магистрали

1. Водонагреватель подключается к водопроводной сети с давлением минимум 0,02 МПа, максимум 0,75 МПа.
2. Для подключения водонагревателя к водопроводу применяются трубы диаметром G1/2.
3. Чтобы предотвратить протечки, при подсоединении труб используйте резиновые уплотнительные прокладки на резьбовых окончаниях труб.
4. На входной патрубок, обозначенный голубым цветом и знаком направления течения воды, накрутите предохранительный клапан так, чтобы течение воды совпадало с направлением стрелки на корпусе клапана. На отверстие сброса давления предохранительного клапана наденьте дренажную трубку для отвода воды (ее появление возможно при нагревании) в канализацию.
5. Предохранительный клапан устанавливается на трубе для холодной воды (обозначена синим кольцом) (максимальное давление 0,75 Мпа / 7,5 Бар). Если давление воды в магистрали превышает 6 Бар, следует установить клапан, уменьшающий давление.
6. Водонагреватель со смонтированным клапаном подключить к водопроводной сети — в месте подведения воды установить отсечной кран.
7. К выходному патрубку, обозначенному красным цветом, подсоединить желаемое количество точек потребления.
8. Открыть отсечной кран и один из разборных кранов. После наполнения резервуара, о чем свидетельствует вытекание воды из разборного крана, закрыть разборный кран и проверить герметичность всех соединений.

Подключение к электрической сети



Внимание!

1. Перед подключением убедитесь, что параметры электросети в месте подключения соответствуют параметрам, указанным на маркировочной табличке с техническими данными прибора. Водонагреватель рассчитан на подключение к электрической сети с однофазным напряжением 220–240 В. При установке водонагревателя следует соблюдать действующие правила электробезопасности.
2. Электрические розетка и вилка должны всегда оставаться сухими во избежание утечки электрического тока. Регулярно проверяйте, что электрическая вилка плотно подключена к розетке. Электрическая розетка должна быть рассчитана на номинальный ток не ниже 10 А, электрический кабель с жилой сечением не менее $3 \times 1,5 \text{ мм}^2$ (для меди). Проверку проводите в следующем порядке: вставьте электрическую вилку в розетку, через полчаса работы выключите водонагреватель и выньте вилку из розетки, проверьте рукой, не нагрелась ли вилка. Если вилка нагрелась до температуры выше $50 \text{ }^\circ\text{C}$, во избежание повреждений, происшествий, возникновения пожара в результате плохого электрического контакта замените розетку на другую. Это должен делать специалист.
1. Между предохранительным клапаном и входным патрубком нельзя монтировать дополнительные приспособления, например, отсечной кран.
2. Если вода в месте установки содержит большое количество солей кальция, марганца или железа, то необходимо в подводящей системе смонтировать соответствующий фильтр для снижения количества накипи в резервуаре и на нагревательном элементе.
3. Перед подключением накопительного водонагревателя убедитесь в том, что водонагреватель заземлен надлежащим образом. Правильное заземление важно для минимизации ударов током и опасности возгорания. Шнур питания оснащён вилкой с контактом заземления. Устройство должно использоваться с правильно заземленной сетевой розеткой. Если розетка которую вы планируете использовать, не заземлена соответствующим образом или защищена предохранителем с задержкой на срабатывание или прерывателем цепи, свяжитесь с квалифицированным электриком для установки правильной розетки.
4. Для обеспечения надежной работы и безопасной эксплуатации водонагревателя перед первым включением проверьте правильность его подсоединения к электрической сети переменного тока 220 В. Подключаемый водонагреватель должен быть надежно соединен с заземляющим контуром вашей электрической сети. Использование водонагревателя без заземления опасно для жизни.

УЗО (устройство защитного отключения)

- Предотвращение утечки электрического тока.
- Следуйте инструкции по установке при подключении водонагревателя.
- Подключите вилку питания к электрической сети, нажмите кнопку на лицевой стороне УЗО (3), загорится световой индикатор.
- Для тестирования УЗО нажмите кнопку TEST (2). Индикатор Power (1) будет отключен.
- Для перезапуска УЗО нажмите кнопку (3).

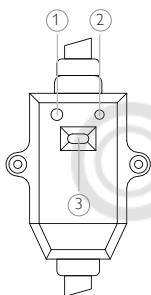


Рис. 5

Эксплуатация

Включение водонагревателя

1. Откройте один из кранов выхода горячей воды, затем откройте кран подачи холодной воды. Электрический водонагреватель начнёт заполняться водой. Когда из крана горячей воды свободно вытекает вода, это означает, что водонагреватель полностью заполнился водой и кран выхода горячей воды можно закрыть.
2. Вставьте электрическую вилку в розетку.

Выбор режима мощности

Модели водонагревателей данной серии работают в одном режиме мощности 2000 Вт и выбор другого режима не предусмотрен.



Внимание!

Во время обычной работы кран подачи холодной воды должен быть установлен в положение «орен» («открыт»).

Установка температуры нагрева воды

1. Температуру воды в водонагревателе можно установить в диапазоне от +30 до +75 °С.
2. Поворачивая ручку терморегулятора по часовой стрелке, вы увеличиваете температуру нагрева воды.
3. Поворачивая ручку терморегулятора против часовой стрелки, вы уменьшаете температуру нагрева воды.
4. Водонагреватель автоматически поддерживает температуру воды. Когда температура воды внутри водонагревателя достигает установленной пользователем температуры, нагрев автоматически выключается, при этом индикатор «Heating» на панели управления гаснет, а индикатор «Warm» светится. Когда температура воды внутри водонагревателя понижается до определённого уровня, нагрев автоматически включается, при этом индикатор «Heating» на панели управления загорается, а индикатор «Warm» гаснет.
5. Установив ручку терморегулятора в положение «Optimal TEMP», вы активируете режим, который соответствует наиболее комфортной температуре нагрева воды (+55 °С (±2)), а также наиболее эффективному режиму расхода электроэнергии.

Выключение

Чтобы выключить водонагреватель, установите ручку терморегулятора в положение «0». Водонагреватель прекратит свою работу.

Рекомендуется всегда отключать водонагреватель от электрической сети, если вы не планируете использовать прибор какое-то время.

Термометр

Модели серии оснащены термометром (Рис. 6), отображающим текущий уровень нагрева воды во внутреннем резервуаре.



Рис. 6



Внимание!

Во время нагревания может начать капать вода из отверстия предохранительного клапана. Избежать подтекания воды невозможно и нельзя препятствовать этому, так как блокировка клапана может привести к разрыву внутреннего резервуара (в случае аварии оборудования).

Обслуживание

1. Проверяйте электрические вилку и розетку как можно чаще. Должен быть обеспечен надёжный электрический контакт, а также правильное заземление. Вилка и розетка не должны чрезмерно нагреваться.
 2. Если водонагреватель не используется продолжительное время, особенно в регионах с низкой температурой воздуха (ниже $^{\circ}\text{C}$), для предотвращения повреждения водонагревателя (по причине замерзания воды во внутреннем резервуаре), воду из нагревателя следует слить.
 3. Для обеспечения надёжной работы водонагревателя в течение длительного времени и сохранения гарантийных обязательств, рекомендуется регулярное обслуживание специалистами авторизованных сервисных центров, при котором производится чистка внутреннего резервуара, убираются солевые отложения на электрических нагревательных элементах водонагревателя, а также производится проверка состояния магниевого анода, в случае расхода от половины и более производится его замена. Частота обслуживания водонагревателя зависит от жесткости воды в данной местности. Возможные промежутки от 3-х месяцев до года.
- Частота чистки бака зависит от жесткости воды. Чистку должны производить специалисты авторизованных сервисных центров. В гарантийном талоне необходима отметка о проведении ТО не реже чем 1 раз в 12 месяцев.
4. Профилактические работы должны производиться при строгом соблюдении инструкции по эксплуатации и техники безопасности специалистами авторизованных сервисных центров.
 5. В случае перегрева воды термический биополярный предохранитель разрывает электрическую цепь со стороны обоих подводов к нагревательному элементу. В этом случае следует определить причину перегрева и произвести ручной перезапуск термо-

стата, нажав кнопку перезапуска, расположенную на термостате (или, в случае неисправности, заменить термостат).

6. Помните о контрольных проверках исправности действия предохранительного клапана каждые 14 дней. Способ проверки:

– перевести ручку слива в верхнее положение до ощущения перехода резьбы, и тогда из отверстия клапана должна потечь вода.

После проверки вытекания воды верните ручку в предыдущее положение.

7. Нужно проверять периодически на наличие накипи и блокирования. Дренаживание клапана, во избежание засорения, производится следующим образом: если клапан имеет рычаг, то его необходимо приподнять несколько раз, если клапан без рычага, его нужно открутить и удалить скопления накипи.



Внимание!

1. Никогда не сливайте воду, если её температура выше 50°C , т.к. это может привести к ожогам.
2. Если вода не потечет, то клапан испорчен. В этом случае нельзя пользоваться нагревателем и рекомендуется вызвать сервисного мастера.

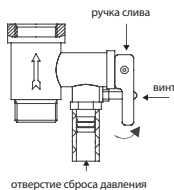


Рис. 7

Поиск и устранение неисправностей

Проблема	Возможные причины	Способ устранения
Температура воды слишком высокая	Повреждение системы контроля температуры воды.	Обратиться к специалисту по ремонту в авторизованный центр.
Вода течет из корпуса прибора	1. Разрушение внутреннего бака (коррозия). 2. Нарушено уплотнение в месте присоединения нагревательного элемента.	Обратиться к специалисту по ремонту в авторизованный центр.
Индикаторные лампочки не горят, вода не греется	1. Повреждение устройства регулирования температуры.	Обратиться к специалисту по ремонту в авторизованный сервисный центр.
	2. Сработало или не было включено устройство ограничения температуры.	Включите термовыключатель, следуя инструкции по его включению.
	3. Повреждение устройства ограничения температуры.	Обратиться к специалисту по ремонту в авторизованный центр.
Из крана выхода горячей воды не течет вода	1. Отключена подача воды.	Подождать восстановления подачи воды.
	2. Слишком низкое давление воды.	Включить водонагреватель снова, когда восстановится нормальное давление воды.
	3. Закрыт кран подачи холодной воды.	Открыть кран подачи холодной воды.
Протечка воды	Нарушено уплотнение в месте подключения труб.	Заменить уплотнение соединения.



Электрическая принципиальная схема

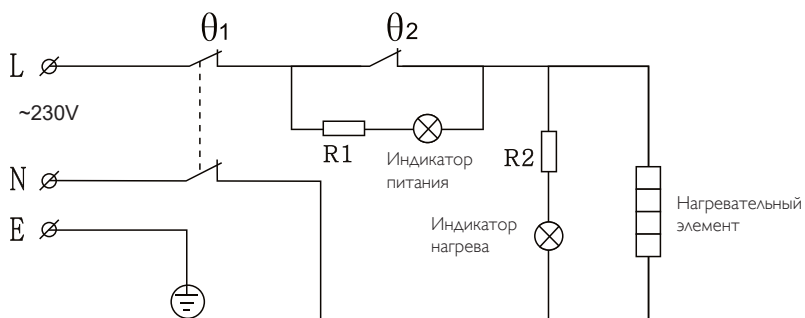


Рис. 8

Транспортировка и хранение

Продукция должна храниться в сухих, проветриваемых складских помещениях при температуре не ниже -30 °С.

1. При транспортировке и хранении должны строго соблюдаться требования манипуляционных знаков на упаковке прибора.
2. При транспортировке должны быть исключены любые возможные удары и перемещения упаковки внутри транспортного средства.
3. Температурные требования: от -30 до +50 °С.
4. Требования к влажности: от 15 до 85 % (нет конденсата).

Комплектация

- Водонагреватель — 1 шт.
- Предохранительный клапан — 1 шт.
- Анкерные болты — 2 шт.
- Диелектрическая муфта Static CARE — 2 шт.
- Руководство по эксплуатации / Гарантийный талон — 1 шт
- Упаковка — 1 шт.

Срок эксплуатации

Срок службы водонагревателя составляет 15 лет при условии соблюдения соответствующих правил по установке и эксплуатации.

Дата изготовления

Дата изготовления указана на приборе и определяется следующим образом:

№ XXXXXXXXXXXXXX

↑
год / месяц / день производства

Правила утилизации

По истечению срока службы прибор должен подвергаться утилизации в соответствии с нормами, правилами и способами, действующими в месте утилизации.

Не выбрасывайте прибор вместе с бытовыми отходами.



По истечении срока службы прибора, сдавайте его в пункт сбора для утилизации, если это предусмотрено нормами и правилами вашего региона. Это поможет избежать возможных последствий на окружающую среду и здоровье человека, а также будет способствовать повторному использованию компонентов изделия.

Информацию о том, где и как можно утилизировать прибор, можно получить от местных органов власти.

Сертификация продукции

Товар соответствует требованиям:

ТР ТС 004/2011 «О безопасности низковольтного оборудования».
ТР ТС 020/2011 «Электромагнитная совместимость технических средств».
ТР ЕАЭС 037/2016 «Об ограничении применения опасных веществ в изделиях электротехники и радиоэлектроники».

Изготовитель:

АКВАШИЛД ЕУРОПЕ с.р.о.
Хайкова 1, Прага 3 130 00 Чешская Республика.

Импортер в РФ:

ООО «Компания БИС». Россия, 119180, г. Москва,
ул. Б. Полянка, д. 2, стр. 2, пом. / комн. I/8.
Тел.: 8 495 150-50-05, e-mail: climate@breez.ru

Сделано в Китае.



ИНФОРМАЦИЯ О ПРОВЕДЕНИИ ПУСКО-НАЛАДОЧНЫХ РАБОТ


Дата проведения работ	Название сервисного центра	ФИО мастера	Произведенные работы

ИНФОРМАЦИЯ О ПРОВЕДЕННОМ ОБСЛУЖИВАНИИ:

Номер обслуживания №	Дата сервисного обслуживания	Чистка бака и осмотр ТЭНа	Замена магниевого анода на фирменный	Замена наполнителя фильтра АWH19820	Название сервисного центра	ФИО мастера	Печать, Подпись



ГАРАНТИЙНЫЕ ОБЯЗАТЕЛЬСТВА

Модель	Серийный номер
Дата изготовления	Срок гарантии
Дата продажи*	Дата монтажа**
Покупатель	
	
Продавец	
Организация, осуществившая монтаж оборудования	

* дата подписания товарно-транспортной накладной

** дата подписания Акта приемки оборудования в эксплуатацию

ГАРАНТИЙНЫЕ ОБЯЗАТЕЛЬСТВА

Уважаемый Покупатель!

Благодарим вас за то, что вы отдали предпочтение изделию PHILIPS.
Вы сделали правильный выбор в пользу качественной техники.

Данный документ не ограничивает определённые законом права Покупателей, но дополняет и уточняет оговоренные законом положения. Изложенные в данном гарантийном талоне условия и правила являются добровольными односторонними обязательствами Производителя перед Покупателем и регулируют порядок их взаимоотношений в связи с предоставляемой гарантией качества.

Просим вас внимательно изучить условия гарантии и убедиться, что гарантийный талон был правильно заполнен и имеет штамп Продавца. При отсутствии штампа Продавца и даты продажи (либо кассового чека с датой продажи) гарантийный срок изделия исчисляется с даты производства изделия.

Тщательно проверьте внешний вид изделия и его комплектность, все претензии по внешнему виду и комплектности изделия предъявляйте Продавцу при покупке изделия.

Для установки (подключения) водонагревателей рекомендуем обращаться в наши авторизованные сервисные центры. Продавец/Изготовитель не несет ответственности за недостатки изделия, возникшие из-за его неправильной установки (подключения), невыполнения требований раздела Монтажа Инструкции по эксплуатации.

Информация о сервисных центрах, уполномоченных осуществлять ремонт и техническое обслуживание изделия, находится на сайте Philips.ru.

Гарантийный срок на водонагреватели составляет:

- 1) 24 месяца - безусловная гарантия.
- 2) 48 месяцев на все электрические компоненты и 72 месяца на протечку бака при исполнении условий:
 - а) Осуществление монтажа водонагревателя в соответствии с правилами установки, хранения и транспортировки.
 - б) Ежегодное обслуживание авторизованным сервисным центром с заменой магниевго анода на фирменный.
- 3) 60 месяцев на все электрические компоненты и 120 месяцев на протечку бака при исполнении условий:
 - а) Осуществление монтажа водонагревателя в соответствии с правилами установки, хранения и транспортировки.
 - б) Ежегодное обслуживание авторизованным сервисным центром с заменой магниевго анода на фирменный.
 - в) Установка фирменного фильтра AWH9820 с его ежегодным обслуживанием*

Информация о проведенном обслуживании фиксируется в руководстве по эксплуатации.

Гарантия на оборудование действует при соблюдении следующих условий эксплуатации:

использование изделия в строгом соответствии с инструкцией по эксплуатации;

соблюдение правил и требования безопасности.

Гарантийные сроки распространяются только на изделия, которые использовались в бытовых целях, не связанных с предпринимательской деятельностью.

Гарантийные обязательства распространяются только на виды поломок, вызванные доказанным заводским браком производителя. Все остальные виды поломок должны устраняться силами и за счёт Покупателя.

Гарантия на изделие действует только в случае правильного заполнения гарантийного талона и наличия следующей информации:

наименование модели;

серийный номер (находится на специальной этикетке с кодом EAN-128);

дата продажи;

печать фирмы-продавца и подписи представителя фирмы-продавца.

В случае выхода из строя изделия в течение гарантийного периода необходимо обращаться в авторизованный сервисный центр или к Продавцу изделия.

Гарантийный ремонт изделия выполняется в авторизованных сервисных центрах в срок не более 30 (тридцати) дней.

Настоящая гарантия не дает права на возмещение и покрытие ущерба, происшедшего в результате переделки и регулировки изделия, без предварительного письменного согласия Изготовителя.

Гарантия не распространяется на: расходные материалы и составляющие части оборудования, выход из строя и/или плановая замена которых в гарантийный период обусловлена самой необходимостью их применения. К ним относятся: фильтры различные, лампы и лампочки различные, предохранители, детали отделки и корпуса. Магниевый анод является расходным материалом и не подлежит замене по гарантии.

*замена картридж-фильтра один раз в год.

Гарантия не предоставляется в случаях:

- если будет полностью/частично изменен, стерт, удален или будет неразборчив серийный номер изделия;
- использования изделия не по его прямому назначению, не в соответствии с его Инструкцией по эксплуатации, в том числе эксплуатации изделия с перегрузкой или совместно со вспомогательным оборудованием, не рекомендуемым Продавцом /Изготовителем;
- наличия на изделии механических повреждений (сколов, трещин, и т.д.), воздействий на изделие чрезмерной силы, химически агрессивных веществ, высоких температур, повышенной влажности/запыленности, концентрированных паров, если что-либо из перечисленного стало причиной неисправности изделия;
- ремонта изделия не уполномоченными на то организациями/лицами;
- стихийных бедствий (пожар, наводнение и т.д.) и других причин, находящихся вне конт-роля Продавца / Изготовителя и Покупателя;
- дефектов, возникших вследствие попадания внутрь изделия посторонних предметов, жидкостей, насекомых и продуктов их жизнедеятельности и т.д.;
- неправильного хранения изделия;
- если неисправности в водонагревательных приборах возникли в результате:
 - замерзания или всего лишь однократного превышения максимально допустимого давления воды, указанного на заводской табличке с характеристиками водонагревательного прибора;
 - эксплуатации без защитных устройств или устройств, не соответствующих техническим характеристикам водонагревательных приборов;
 - использования коррозионно-активной воды;
 - коррозии от электрохимической реакции, несвоевременного технического обслуживания водонагревательных приборов в соответствии с инструкцией по эксплуатации (в том числе несоблюдение установленных инструкцией периодичности и сроков проведения технического обслуживания в объеме, указанном в инструкции).

Покупатель предупрежден о том, что в соответствии с п. 11 «Перечня непродовольственных товаров надлежащего качества, не подлежащих возврату или обмену на аналогичный товар другого размера, формы, габарита, фасона, расцветки или комплектации» Пост. Правительства РФ от 19.01.1998. № 55 он не вправе требовать обмена купленного изделия в порядке ст. 25 Закона "О защите прав потребителей" и ст. 502 ГК РФ.

Вся необходимая информация о купленном изделии и его потребительских свойствах в соответствии со ст. 10 Закона «О защите прав потре-

бителей» предоставлена Покупателю в полном объеме.

Покупатель получил Инструкцию по эксплуатации купленного изделия на русском языке.

Покупатель ознакомлен и согласен с условиями гарантийного обслуживания/особенностями эксплуатации купленного изделия.

**ИНФОРМАЦИЯ О ГАРАНТИЙНЫХ РЕМОНТАХ
(ЗАПОЛНЯЕТСЯ АВТОРИЗОВАННЫМ СЕРВИСНЫМ ЦЕНТРОМ (АСЦ)):**

Название АСЦ	Дата обращения в АСЦ	Дата окончания ремонта	Описание дефекта	Замена запасной части	ФИО мастера	Печать АСЦ





Visit us:
www.philips.com/water

Specifications are subject to change without notice

© 2022 AquaShield
All rights reserved.

The Philips trademark and the Philips Shield Emblem are registered trademarks of Koninklijke Philips N.V. used under license. This product has been manufactured by and is sold under the responsibility of Hong Kong AquaShield Health Technology Company Limited and Hong Kong AquaShield Health Technology Company Limited is the warrantor in relation to this product.

Rev A JAN 22

