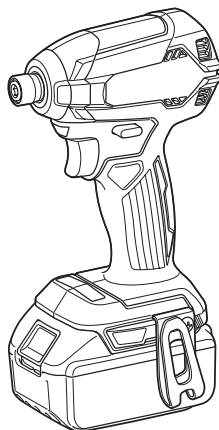
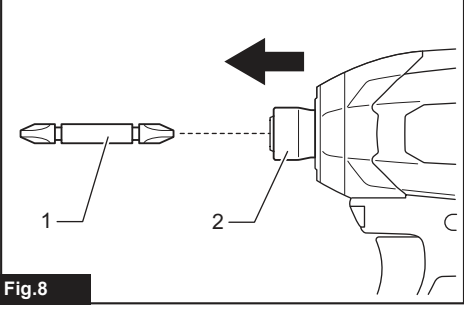
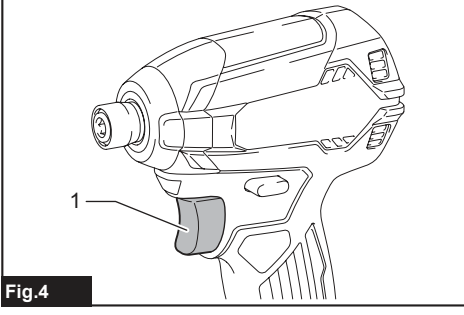
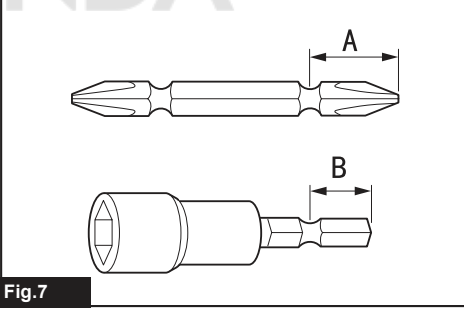
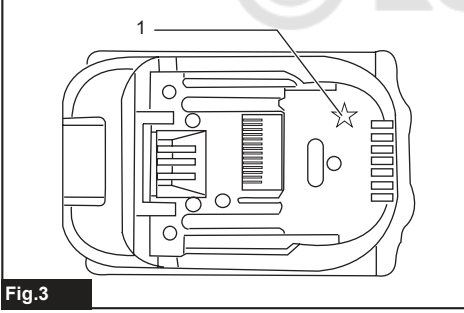
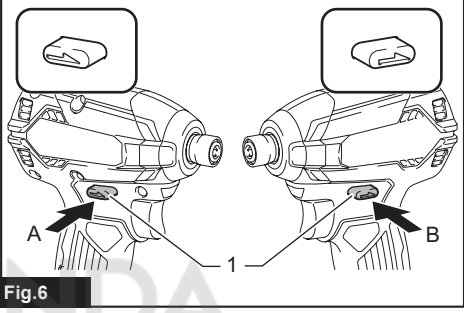
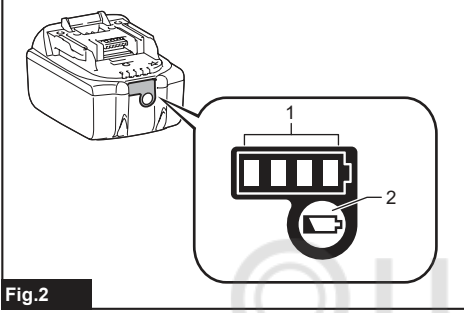
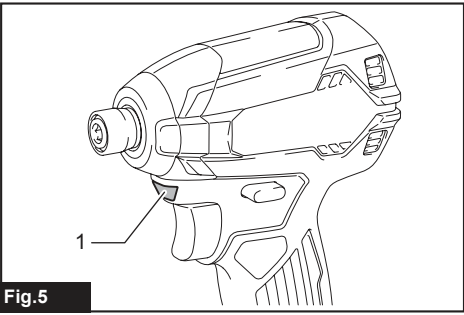
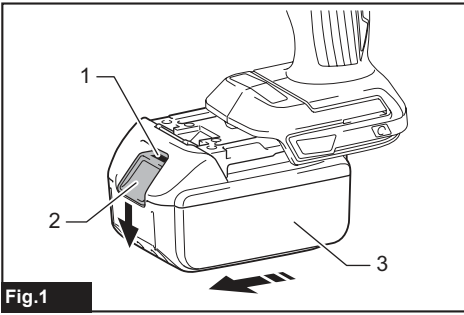




| | | | |
|-----------|------------------------------------|-----------------------------|----|
| EN | Cordless Impact Driver | INSTRUCTION MANUAL | 4 |
| SV | Batteridrivnen slagskruvdragare | BRUKSANVISNING | 9 |
| NO | Batteridrevet slagskrutrekker | BRUKSANVISNING | 14 |
| FI | Akkukäyttöinen iskuväännin | KÄYTTÖOHJE | 19 |
| LV | Bezvada triecienskrūvgriezis | LIETOŠANAS INSTRUKCIJA | 24 |
| LT | Belaidis smūginis suktuvas | NAUDOJIMO INSTRUKCIJA | 29 |
| ET | Juhtmeta löökkruvikeeraja | KASUTUSJUHEND | 34 |
| RU | Аккумуляторный ударный шуруповерт | РУКОВОДСТВО ПО ЭКСПЛУАТАЦИИ | 39 |

DTD153





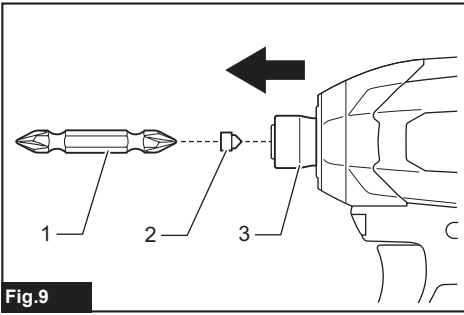


Fig.9

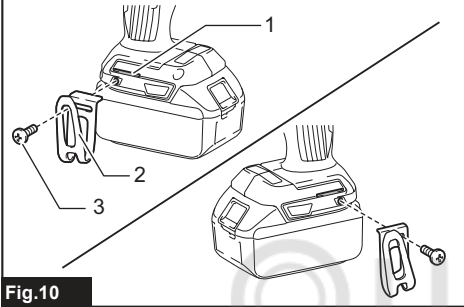


Fig.10

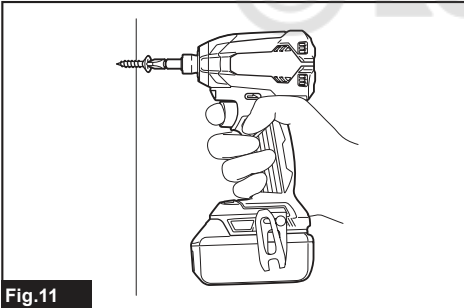


Fig.11

SPECIFICATIONS

| Model: | | DTD153 |
|----------------------|-------------------|--|
| Fastening capacities | Machine screw | 4 mm - 8 mm |
| | Standard bolt | 5 mm - 16 mm |
| | High tensile bolt | 5 mm - 14 mm |
| No load speed | | 0 - 3,400 min ⁻¹ |
| Impacts per minute | | 0 - 3,600 min ⁻¹ |
| Overall length | | 126 mm |
| Rated voltage | | D.C. 18 V |
| Battery cartridge | | BL1815, BL1815N, BL1820, BL1820B, BL1830, BL1830B, BL1840, BL1840B, BL1850, BL1850B, BL1860B |
| Net weight | | 1.3 kg 1.5 kg |

- Due to our continuing program of research and development, the specifications herein are subject to change without notice.
- Specifications and battery cartridge may differ from country to country.
- Weight, with battery cartridge, according to EPTA-Procedure 01/2003

Intended use

The tool is intended for screw driving in wood, metal and plastic.

Noise

The typical A-weighted noise level determined according to EN60745:

Sound pressure level (L_{pA}): 96 dB(A)

Sound power level (L_{WA}): 107 dB (A)

Uncertainty (K): 3 dB(A)

⚠ WARNING: Wear ear protection.

Vibration

The vibration total value (tri-axial vector sum) determined according to EN60745:

Work mode: impact tightening of fasteners of the maximum capacity of the tool

Vibration emission (a_h): 13.0 m/s²

Uncertainty (K): 1.5 m/s²

NOTE: The declared vibration emission value has been measured in accordance with the standard test method and may be used for comparing one tool with another.

NOTE: The declared vibration emission value may also be used in a preliminary assessment of exposure.

⚠ WARNING: The vibration emission during actual use of the power tool can differ from the declared emission value depending on the ways in which the tool is used.

⚠ WARNING: Be sure to identify safety measures to protect the operator that are based on an estimation of exposure in the actual conditions of use (taking account of all parts of the operating cycle such as the times when the tool is switched off and when it is running idle in addition to the trigger time).

EC Declaration of Conformity

For European countries only

The EC declaration of conformity is included as Annex A to this instruction manual.

SAFETY WARNINGS

General power tool safety warnings

⚠ WARNING: Read all safety warnings and all instructions. Failure to follow the warnings and instructions may result in electric shock, fire and/or serious injury.

Save all warnings and instructions for future reference.

The term "power tool" in the warnings refers to your mains-operated (corded) power tool or battery-operated (cordless) power tool.

Cordless impact driver safety warnings

1. **Hold power tool by insulated gripping surfaces, when performing an operation where the fastener may contact hidden wiring.** Fasteners contacting a "live" wire may make exposed metal parts of the power tool "live" and could give the operator an electric shock.
2. **Always be sure you have a firm footing. Be sure no one is below when using the tool in high locations.**
3. **Hold the tool firmly.**
4. **Wear ear protectors.**
5. **Do not touch the bit or the workpiece immediately after operation. They may be extremely hot and could burn your skin.**
6. **Keep hands away from rotating parts.**

SAVE THESE INSTRUCTIONS.

⚠WARNING: DO NOT let comfort or familiarity with product (gained from repeated use) replace strict adherence to safety rules for the subject product.

MISUSE or failure to follow the safety rules stated in this instruction manual may cause serious personal injury.

Important safety instructions for battery cartridge

1. **Before using battery cartridge, read all instructions and cautionary markings on (1) battery charger, (2) battery, and (3) product using battery.**
2. **Do not disassemble battery cartridge.**
3. **If operating time has become excessively shorter, stop operating immediately. It may result in a risk of overheating, possible burns and even an explosion.**
4. **If electrolyte gets into your eyes, rinse them out with clear water and seek medical attention right away. It may result in loss of your eyesight.**
5. **Do not short the battery cartridge:**
 - (1) **Do not touch the terminals with any conductive material.**
 - (2) **Avoid storing battery cartridge in a container with other metal objects such as nails, coins, etc.**
 - (3) **Do not expose battery cartridge to water or rain.**

A battery short can cause a large current flow, overheating, possible burns and even a breakdown.
6. **Do not store the tool and battery cartridge in locations where the temperature may reach or exceed 50 °C (122 °F).**
7. **Do not incinerate the battery cartridge even if it is severely damaged or is completely worn out. The battery cartridge can explode in a fire.**
8. **Be careful not to drop or strike battery.**

9. **Do not use a damaged battery.**
10. **The contained lithium-ion batteries are subject to the Dangerous Goods Legislation requirements.**

For commercial transports e.g. by third parties, forwarding agents, special requirement on packaging and labeling must be observed.
For preparation of the item being shipped, consulting an expert for hazardous material is required. Please also observe possibly more detailed national regulations.
Tape or mask off open contacts and pack up the battery in such a manner that it cannot move around in the packaging.
11. **Follow your local regulations relating to disposal of battery.**

SAVE THESE INSTRUCTIONS.

⚠CAUTION: Only use genuine Makita batteries. Use of non-genuine Makita batteries, or batteries that have been altered, may result in the battery bursting causing fires, personal injury and damage. It will also void the Makita warranty for the Makita tool and charger.

Tips for maintaining maximum battery life

1. **Charge the battery cartridge before completely discharged. Always stop tool operation and charge the battery cartridge when you notice less tool power.**
2. **Never recharge a fully charged battery cartridge. Overcharging shortens the battery service life.**
3. **Charge the battery cartridge with room temperature at 10 °C - 40 °C (50 °F - 104 °F). Let a hot battery cartridge cool down before charging it.**
4. **Charge the battery cartridge if you do not use it for a long period (more than six months).**

FUNCTIONAL DESCRIPTION

⚠CAUTION: Always be sure that the tool is switched off and the battery cartridge is removed before adjusting or checking function on the tool.

Installing or removing battery cartridge

⚠CAUTION: Always switch off the tool before installing or removing of the battery cartridge.

⚠CAUTION: Hold the tool and the battery cartridge firmly when installing or removing battery cartridge. Failure to hold the tool and the battery cartridge firmly may cause them to slip off your hands and result in damage to the tool and battery cartridge and a personal injury.

► Fig.1: 1. Red indicator 2. Button 3. Battery cartridge

To remove the battery cartridge, slide it from the tool while sliding the button on the front of the cartridge.

To install the battery cartridge, align the tongue on the battery cartridge with the groove in the housing and slip it into place. Insert it all the way until it locks in place with a little click. If you can see the red indicator on the upper side of the button, it is not locked completely.

⚠ CAUTION: Always install the battery cartridge fully until the red indicator cannot be seen. If not, it may accidentally fall out of the tool, causing injury to you or someone around you.

⚠ CAUTION: Do not install the battery cartridge forcibly. If the cartridge does not slide in easily, it is not being inserted correctly.

Indicating the remaining battery capacity

Only for battery cartridges with "B" at the end of the model number

► Fig.2: 1. Indicator lamps 2. Check button

Press the check button on the battery cartridge to indicate the remaining battery capacity. The indicator lamps light up for few seconds.

| Indicator lamps | | | Remaining capacity |
|-----------------|---------|----------|-------------------------------------|
| Lighted | Off | Blinking | |
| ■ | □ | ▧ | 75% to 100% |
| ■ ■ ■ ■ | | | |
| ■ ■ ■ | □ | | 50% to 75% |
| ■ ■ | □ □ | | 25% to 50% |
| ■ | □ □ □ | | 0% to 25% |
| ▧ | □ □ □ □ | | Charge the battery. |
| ■ ■ □ □ | | | The battery may have malfunctioned. |
| □ □ ■ ■ | | | |

NOTE: Depending on the conditions of use and the ambient temperature, the indication may differ slightly from the actual capacity.

Tool / battery protection system

The tool is equipped with a tool/battery protection system. This system automatically cuts off power to the motor to extend tool and battery life. The tool will automatically stop during operation if the tool or battery is placed under one of the following conditions:

Overload protection

When the battery is operated in a manner that causes it to draw an abnormally high current, the tool automatically stops without any indication. In this situation, turn the tool off and stop the application that caused the tool to become overloaded. Then turn the tool on to restart.

Overheat protection

When the tool/battery is overheated, the tool stops automatically. In this situation, let the battery cool before turning the tool on again.

Overdischarge protection

When the battery capacity is not enough, the tool stops automatically. In this case, remove the battery from the tool and charge the battery.

NOTE: Overload protection will work only with batteries with star marking.

► Fig.3: 1. Star marking

Switch action

► Fig.4: 1. Switch trigger

⚠ CAUTION: Before installing the battery cartridge into the tool, always check to see that the switch trigger actuates properly and returns to the "OFF" position when released.

To start the tool, simply pull the switch trigger. Tool speed is increased by increasing pressure on the switch trigger. Release the switch trigger to stop.

Lighting up the front lamp

► Fig.5: 1. Lamp

⚠ CAUTION: Do not look in the light or see the source of light directly.

Pull the switch trigger to light up the lamp. The lamp keeps on lighting while the switch trigger is being pulled. The lamp goes out approximately 10 seconds after releasing the switch trigger.

NOTE: Use a dry cloth to wipe the dirt off the lens of the lamp. Be careful not to scratch the lens of lamp, or it may lower the illumination.

Reversing switch action

► Fig.6: 1. Reversing switch lever

⚠ CAUTION: Always check the direction of rotation before operation.

⚠ CAUTION: Use the reversing switch only after the tool comes to a complete stop. Changing the direction of rotation before the tool stops may damage the tool.

⚠ CAUTION: When not operating the tool, always set the reversing switch lever to the neutral position.

This tool has a reversing switch to change the direction of rotation. Depress the reversing switch lever from the A side for clockwise rotation or from the B side for counterclockwise rotation.
When the reversing switch lever is in the neutral position, the switch trigger cannot be pulled.

ASSEMBLY

CAUTION: Always be sure that the tool is switched off and the battery cartridge is removed before carrying out any work on the tool.

Installing or removing driver bit/ socket bit

► Fig.7

Use only driver bit/socket bit that has inserting portion shown in the figure. Do not use any other driver bit/ socket bit.

For tool with shallow driver bit hole

| | |
|-----------------|---|
| A=12mm B=9mm | Use only these type of driver bit. Follow the procedure 1. (Note) Bit-piece is not necessary. |
|-----------------|---|

For tool with deep driver bit hole

| | |
|------------------|--|
| A=17mm B=14mm | To install these types of driver bits, follow the procedure 1. |
| A=12mm B=9mm | To install these types of driver bits, follow the procedure 2. (Note) Bit-piece is necessary for installing the bit. |

Procedure 1

For tool without one-touch type sleeve

► Fig.8: 1. Driver bit 2. Sleeve

To install the driver bit, pull the sleeve in the direction of the arrow and insert the driver bit into the sleeve as far as it will go.
Then release the sleeve to secure the driver bit.

For tool with one-touch type sleeve

To install the driver bit, insert the driver bit into the sleeve as far as it will go.

Procedure 2

In addition to **Procedure 1**, insert the bit-piece into the sleeve with its pointed end facing in.

► Fig.9: 1. Driver bit 2. Bit-piece 3. Sleeve

To remove the driver bit, pull the sleeve in the direction of the arrow and pull the driver bit out.

NOTE: If the driver bit is not inserted deep enough into the sleeve, the sleeve will not return to its original position and the driver bit will not be secured. In this case, try re-inserting the bit according to the instructions above.

NOTE: When it is difficult to insert the driver bit, pull the sleeve and insert it into the sleeve as far as it will go.

NOTE: After inserting the driver bit, make sure that it is firmly secured. If it comes out, do not use it.

Installing hook

► Fig.10: 1. Groove 2. Hook 3. Screw

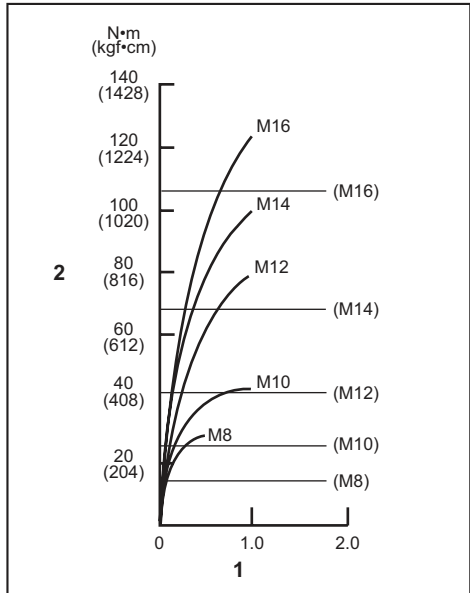
The hook is convenient for temporarily hanging the tool. This can be installed on either side of the tool. To install the hook, insert it into a groove in the tool housing on either side and then secure it with a screw. To remove, loosen the screw and then take it out.

OPERATION

► Fig.11

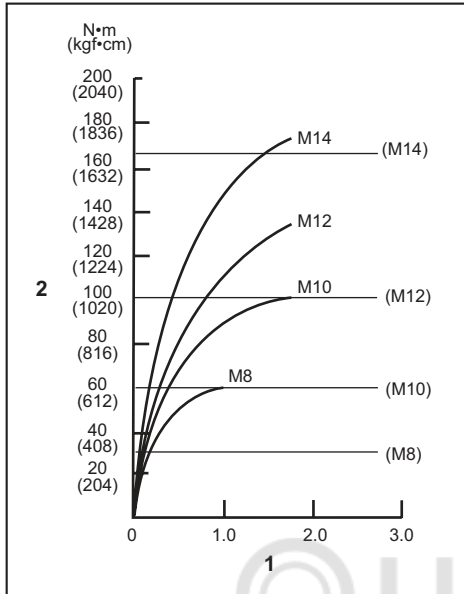
The proper fastening torque may differ depending upon the kind or size of the screw/bolt, the material of the workpiece to be fastened, etc. The relation between fastening torque and fastening time is shown in the figures.

Proper fastening torque for standard bolt



1. Fastening time (second) 2. Fastening torque

Proper fastening torque for high tensile bolt



1. Fastening time (second) 2. Fastening torque

Hold the tool firmly and place the point of the driver bit in the screw head. Apply forward pressure to the tool to the extent that the bit will not slip off the screw and turn the tool on to start operation.

NOTICE: If you use a spare battery to continue the operation, rest the tool at least 15 min.

NOTE: Use the proper bit for the head of the screw/bolt that you wish to use.

NOTE: When fastening M8 or smaller screw, carefully adjust pressure on the switch trigger so that the screw is not damaged.

NOTE: Hold the tool pointed straight at the screw.

NOTE: If the impact force is too strong or you tighten the screw for a time longer than shown in the figures, the screw or the point of the driver bit may be overstressed, stripped, damaged, etc. Before starting your job, always perform a test operation to determine the proper fastening time for your screw.

The fastening torque is affected by a wide variety of factors including the following. After fastening, always check the torque with a torque wrench.

- When the battery cartridge is discharged almost completely, voltage will drop and the fastening torque will be reduced.
- Driver bit or socket bit
Failure to use the correct size driver bit or socket bit will cause a reduction in the fastening torque.
- Bolt
 - Even though the torque coefficient and the class of bolt are the same, the proper fastening torque will differ according to the diameter of bolt.

- Even though the diameters of bolts are the same, the proper fastening torque will differ according to the torque coefficient, the class of bolt and the bolt length.

- The manner of holding the tool or the material of driving position to be fastened will affect the torque.
- Operating the tool at low speed will cause a reduction in the fastening torque.

MAINTENANCE

CAUTION: Always be sure that the tool is switched off and the battery cartridge is removed before attempting to perform inspection or maintenance.

NOTICE: Never use gasoline, benzine, thinner, alcohol or the like. Discoloration, deformation or cracks may result.

To maintain product SAFETY and RELIABILITY, repairs, any other maintenance or adjustment should be performed by Makita Authorized or Factory Service Centers, always using Makita replacement parts.

OPTIONAL ACCESSORIES

CAUTION: These accessories or attachments are recommended for use with your Makita tool specified in this manual. The use of any other accessories or attachments might present a risk of injury to persons. Only use accessory or attachment for its stated purpose.

If you need any assistance for more details regarding these accessories, ask your local Makita Service Center.

- Driver bits
- Socket bits
- Bit piece
- Hook
- Plastic carrying case
- Battery protector
- Tool hanger
- Makita genuine battery and charger

NOTE: Some items in the list may be included in the tool package as standard accessories. They may differ from country to country.

SPECIFIKATIONER

| Modell: | | DTD153 | |
|---------------------------|---------------------|----------------------------------|--|
| Åtdragningskapaciteter | Maskinskruv | 4 mm - 8 mm | |
| | Standardbult | 5 mm - 16 mm | |
| | Höghållfasta bultar | 5 mm - 14 mm | |
| Hastighet utan belastning | | 0 - 3 400 min ⁻¹ | |
| Slag per minut | | 0 - 3 600 min ⁻¹ | |
| Total längd | | 126 mm | |
| Märkspänning | | 18 V likström | |
| Batterikassett | | BL1815, BL1815N, BL1820, BL1820B | BL1830, BL1830B, BL1840, BL1840B, BL1850, BL1850B, BL1860B |
| Nettovikt | | 1,3 kg | 1,5 kg |

- På grund av vårt pågående program för forskning och utveckling kan dessa specifikationer ändras utan föregående meddelande.
- Specifikationer och batterikassett kan variera mellan olika länder.
- Vikt, med batterikassett, i enlighet med EPTA-procedure 01/2003

Avsedd användning

Verktyget är avsett för skruvdragnings i trä, metall och plast.

Buller

Den normala bullernivån för A-belastning är bestämd enligt EN60745:

Ljudtrycksnivå (L_{pA}): 96 dB (A)

Ljudeffektnivå (L_{WA}): 107 dB (A)

Måttolerans (K): 3 dB (A)

⚠ VARNING: Använd hörselskydd.

Vibration

Det totala vibrationsvärdet (treaxlad vektorsumma) bestämt enligt EN60745:

Arbetsläge: maskinens maximala kapacitet för slagåtdragnings

Vibrationsemission (a_h): 13,0 m/s²

Måttolerans (K): 1,5 m/s²

OBS: Det deklarerade vibrationsemissionsvärdet har uppmätts i enlighet med standardtestmetoden och kan användas för att jämföra en maskin med en annan.

OBS: Det deklarerade vibrationsemissionsvärdet kan också användas i en preliminär bedömning av exponering för vibration.

⚠ VARNING: Vibrationsemissionen under faktisk användning av maskinen kan skilja sig från det deklarerade emissionsvärdet, beroende på hur maskinen används.

⚠ VARNING: Var noga med att identifiera säkerhetsåtgärder för att skydda användaren, vilka är grundade på en uppskattning av graden av exponering för vibrationer under de faktiska användningsförhållandena, (ta, förutom avtryckartiden, med alla delar av användarcykeln i beräkningen, som till exempel tiden då maskinen är avstängd och när den går på tomgång).

EG-försäkran om överensstämmelse

Gäller endast inom EU

EG-försäkran om överensstämmelse inkluderar som bilaga A till denna bruksanvisning.

SÄKERHETSVARNINGAR

Allmänna säkerhetsvarningar för maskiner

⚠ VARNING: Läs igenom alla säkerhetsvarningar och anvisningar. Underlåtenhet att följa varningar och instruktioner kan leda till elstöt, brand och/eller allvarliga personskador.

Spara alla varningar och instruktioner för framtida referens.

Termen "maskin" som anges i varningarna hänvisar till din eldrivna maskin (sladdansluten) eller batteridrivna maskin (sladdlös).

Säkerhetsvarningar för batteridriven slagskruvdragare

1. Håll maskinen i de isolerade handtagen om det finns risk för att skruvdragaren kan komma i kontakt med en dold elkabel. Skruvdragare som kommer i kontakt med en "strömförande" kabel kan få sina blottlagda metalldelar "strömförande", vilket kan ge användaren en elektrisk stöt.
2. Se till att alltid ha ordentligt fotfäste. Se till att ingen står under dig när maskinen används på hög höjd.
3. Håll stadigt i maskinen.
4. Använd hörselskydd.
5. Rör inte bits eller arbetsstycket direkt efter arbetet. De kan vara extremt varma och kan orsaka brännskador.
6. Håll händerna på avstånd från roterande delar.

SPARA DESSA ANVISNINGAR.

⚠ VARNING: GLÖM INTE att också fortsättningsvis strikt följa säkerhetsanvisningarna för maskinen även efter att du blivit van att använda den.

Vid FELAKTIG HANTERING av maskinen eller om inte säkerhetsanvisningarna i denna bruksanvisning följs kan följden bli allvarliga personskador.

Viktiga säkerhetsanvisningar för batterikassetten

1. Innan batterikassetten används ska alla instruktioner och varningsmärken på (1) batteriladdaren, (2) batteriet och (3) produkten läsas.
2. Montera inte isär batterikassetten.
3. Om drifttiden blivit avsevärt kortare ska användningen avbrytas omedelbart. Det kan uppstå överhettning, brännskador och t o m en explosion.
4. Om du får elektrolyt i ögonen ska de sköljas med rent vatten och läkare uppsöks omedelbart. Det finns risk för att synen förloras.
5. Kortslut inte batterikassetten.
 - (1) Rör inte vid polerna med något strömförande material.
 - (2) Undvik att förvara batterikassetten tillsammans med andra metallobjekt som t.ex. spikar, mynt o.s.v.
 - (3) Skydda batteriet mot vatten och regn. En batterikortslutning kan orsaka ett stort strömflöde, överhettning, brand och maskinhaveri.
6. Förvara inte maskinen och batterikassetten på platser där temperaturen kan nå eller överstiga 50 °C.
7. Bränn inte upp batterikassetten även om den är svårt skadad eller helt utsliten. Batterikassetten kan explodera i öppen eld.
8. Var försiktig så att du inte råkar tappa batteriet och utsätt det inte för stötar.
9. Använd inte ett skadat batteri.

10. De medföljande litiumjonbatterierna är föremål för kraven i gällande lagstiftning för farligt gods. För kommersiella transporter (av t.ex. tredje parter som speditorsfirmor) måste de särskilda transportkrav som anges på emballaget och etiketter iakttagas. För att förbereda den produkt som ska avsändas krävs att du konsulterar en expert på riskmaterial. Var också uppmärksam på att det i ditt land kan finnas ytterligare föreskrifter att följa. Tejpa över eller maskera blottade kontakter och packa batteriet på sådant sätt att det inte kan röra sig fritt i förpackningen.
11. Följ lokala föreskrifter beträffande avfallshandtering av batteriet.

SPARA DESSA ANVISNINGAR.

⚠ FÖRSIKTIGT: Använda endast äkta Makita-batterier. Användning av oäkta Makita-batterier eller batterier som har manipulerats kan leda till person- och utrustningsskador eller till att batteriet fattar eld. Det upphäver också Makitas garanti för verktyget och laddaren.

Tips för att uppnå batteriets maximala livslängd

1. Ladda batterikassetten innan den är helt urladdad. Stanna alltid maskinen och ladda batterikassetten när du märker att maskinen blir svagare.
2. Ladda aldrig en fulladdad batterikassett. Överladdning förkortar batteriets livslängd.
3. Ladda batterikassetten vid en rumstemperatur på 10 °C - 40 °C. Låt en varm batterikassett svalna innan den laddas.
4. Ladda batterikassetten om du inte har använt den på länge (mer än sex månader).

FUNKTIONSBESKRIVNING

⚠ FÖRSIKTIGT: Se alltid till att maskinen är avstängd och batterikassetten borttagen innan du justerar maskinen eller kontrollerar dess funktioner.

Montera eller demontera batterikassetten

⚠ FÖRSIKTIGT: Stäng alltid av maskinen innan du monterar eller tar bort batterikassetten.

⚠ FÖRSIKTIGT: Håll stadigt i maskinen och batterikassetten när du monterar eller tar bort batterikassetten. I annat fall kan det leda till att de glider ur dina händer och orsakar skada på maskinen och batterikassetten samt personskada.

► Fig.1: 1. Röd indikator 2. Knapp 3. Batterikassett

Ta bort batterikassetten genom att skjuta ner knappen på kassetten framsida samtidigt som du drar ut batterikassetten.

Sätt i batterikassetten genom att rikta in tungan på batterikassetten mot spåret i höljet och skjut den på plats. Tryck in batterikassetten ordentligt tills den låser fast med ett klick. Om du kan se den röda indikatorn på knappens ovansida är den inte låst ordentligt.

⚠ FÖRSIKTIGT: Sätt alltid i batterikassetten helt tills den röda indikatorn inte längre syns. I annat fall kan den oövatat falla ur maskinen och skada dig eller någon annan.

⚠ FÖRSIKTIGT: Montera inte batterikassetten med våld. Om kassetten inte lätt glider på plats är den felinsatt.

Indikerar kvarvarande batterikapacitet

Gäller endast för batterikassetter med ett "B" på slutet i modellnumret

► Fig.2: 1. Indikatorlampor 2. Kontrollknapp

Tryck på kontrollknappen på batterikassetten för att se kvarvarande batterikapacitet. Indikatorlamporna lyser i ett par sekunder.

| Indikatorlampor | | | Kvarvarande kapacitet |
|-----------------|---------|--------|---------------------------|
| Upplyst | Av | Blikar | |
| ■ | □ | ◻ | 75% till 100% |
| ■ ■ ■ ■ | □ | | 50% till 75% |
| ■ ■ | □ □ | | 25% till 50% |
| ■ | □ □ □ □ | | 0% till 25% |
| ◻ | □ □ □ □ | | Ladda batteriet. |
| ■ ■ □ □ | □ □ | | Batteriet kan ha skadats. |
| □ □ ■ ■ | | | |

OBS: Beroende på användningsförhållanden och den omgivande temperaturen kan indikationen skilja sig lätt från den faktiska batterikapaciteten.

Skyddssystem för maskinen/batteriet

Verktyget är utrustat med ett skyddssystem för verktyget/batteriet. Detta system bryter automatiskt strömmen till motorn för att förlänga verktygets och batteriets livslängd. Verktöget stoppar automatiskt under användningen om verktyget eller batteriet hamnar i en av följande situationer:

Överbelastningsskydd

Om batteriet används på ett sätt som gör att det drar onormalt mycket ström kan det stoppas automatiskt utan någon varning. När detta sker stänger du av verktyget och upphör med arbetet som gjorde att verktyget överbelastades. Starta därefter verktyget igen.

Överhettningsskydd

När verktyget/batteriet överhettas stoppas verktyget automatiskt. Låt då batteriet svalna innan du startar verktyget igen.

Överurladdningsskydd

När batteriets kapacitet är otillräcklig stoppar maskinen automatiskt. I sådant fall ska batteriet tas ur maskinen och laddas.

OBS: Överbelastningsskydd fungerar endast med batterier med stjärnmarkering.

► Fig.3: 1. Stjärnmarkering

Avtryckarens funktion

► Fig.4: 1. Avtryckare

⚠ FÖRSIKTIGT: Innan du sätter i batterikassetten i maskinen ska du kontrollera att avtryckaren fungerar och återgår till läget "OFF" när du släpper den.

Tryck in avtryckaren för att starta maskinen. Hastigheten ökas genom att trycka hårdare på avtryckaren. Släpp avtryckaren för att stoppa maskinen.

Tända frontlampan

► Fig.5: 1. Lampa

⚠ FÖRSIKTIGT: Titta inte in i ljuset eller direkt i ljuskällan.

Tryck på avtryckaren för att tända lampan. Lampan fortsätter att lysa så länge du håller avtryckaren intryckt. Lampan slocknar ungefär 10 sekunder efter att du har släppt avtryckaren.

OBS: Använd en torr trasa för att torka bort smuts från lampglaset. Var försiktig så att inte lampglaset repas eftersom ljuset då kan bli svagare.

Reverseringsspakens funktion

► Fig.6: 1. Reverseringsspak

⚠ FÖRSIKTIGT: Kontrollera alltid rotationsriktningen före användning.

⚠ FÖRSIKTIGT: Använd endast reverseringsknappen när maskinen har stoppat helt. Maskinen kan skadas om du byter rotationsriktning medan den fortfarande roterar.

⚠ FÖRSIKTIGT: Ställ alltid in reverseringsspaken i neutralt läge när du inte använder maskinen.

Denna maskin har en reverseringsknapp för byte av rotationsriktning. Tryck in reverseringsspaken från sida A för medurs rotation och från sida B för moturs rotation. När reverseringsspaken är i neutralt läge fungerar inte avtryckaren.

MONTERING

⚠ FÖRSIKTIGT: Se alltid till att maskinen är avstängd och batterikassetten borttagen innan du underhåller maskinen.

Montering eller demontering av skruvbits eller hylsbits

► Fig.7

Använd endast skruvbits/hylsbits som har en isättande del enligt vad som visas i figuren. Använd inga andra bits.

För verktyg med grunt skruvbitshål

| | |
|-----------------------|--|
| A = 12 mm B = 9 mm | Använd endast dessa typer av borrarbits. Följ procedur 1. OBS! Bitsfäste är inte nödvändigt. |
|-----------------------|--|

För verktyg med djupt borrarbitshål

| | |
|------------------------|--|
| A = 17 mm B = 14 mm | För att montera dessa typer av skruvbits följer du procedur 1. |
| A = 12 mm B = 9 mm | För att montera dessa typer av skruvbits följer du procedur 2. OBS! Bitsfäste är nödvändigt för att installera bitset. |

Procedur 1

För maskin utan snabbhylsa

► Fig.8: 1. Skruvbits 2. Hylsa

Montera skruvbitset genom att dra hylsan i pilens riktning och sätt i bitset i hylsan så långt det går. Släpp sedan hylsan för att fästa borrarbitset.

För maskin med snabbhylsa

För att montera bitsetet ska du sätta i det i hylsan så långt det går.

Procedur 2

Förutom **procedur 1** ovan, ska bitsfästet föras in i hylsan med dess spetsiga del vänd in mot hylsan.

► Fig.9: 1. Skruvbits 2. Bitsfäste 3. Hylsa

Ta ut bitset genom att dra hylsan i pilens riktning och dra ut skruvbitset.

OBS: Om skruvbitset inte är isatt djupt nog i hylsan kommer inte hylsan att gå tillbaka till sitt ursprungliga läge och skruvbitset fasts inte. Försök då att sätta i bitset på nytt enligt instruktionerna ovan.

OBS: Om det är svårt att sätta i bitsetet kan du först trycka ner hylsan och sedan sätta i bitsetet så lång det går.

OBS: Efter att skruvbitset är isatt kontrollerar du att det är ordentligt fastskruvat. Om det åker ut ska du inte använda det.

Monteringskrok

► Fig.10: 1. Spår 2. Krok 3. Skruv

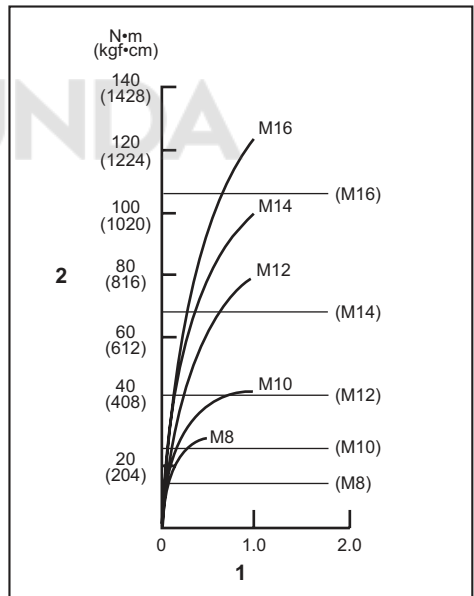
Haken kan användas när du vill hänga upp verktyget temporärt. Den kan monteras på båda sidorna av maskinen. För att montera kroken sätter du i den i ett spår i maskinhuset på endera sida och drar fast den med en skruv. Ta bort kroken genom att skruva loss skruven.

ANVÄNDNING

► Fig.11

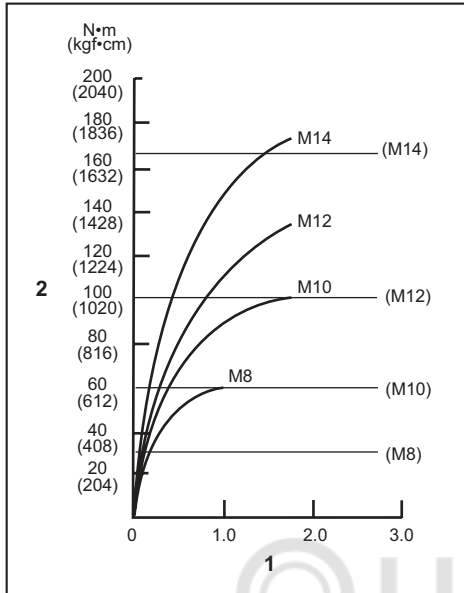
Det korrekta åtdragningsmomentet för det som ska fästas kan variera beroende på skruvens/bultens typ eller storlek, arbetsstyckets material m.m. Sambandet mellan åtdragningsmomentet och åtdragningstiden visas i figurerna.

Korrekt åtdragningsmoment för standardbult



1. Åtdragningstid (sekunder) 2. Åtdragningsmoment

Korrekt åtdragningsmoment för höghållfasta bultar



1. Åtdragningsstid (sekunder) 2. Åtdragningsmoment

Håll i maskinen stadigt och placera spetsen på skruvbitset i skruvhuvudet. Tryck maskinen framåt så att bitset inte halkar av skruven och starta maskinen.

OBSERVERA: Om du använder ett reservbatteri för att fortsätta med arbetet ska maskinen först vila i minst 15 minuter.

OBS: Använd korrekt bits för det skruv-/bult huvud som du vill använda.

OBS: Justera försiktigt trycket på avtryckaren så att skruven inte skadas när du fäster en M8 eller en skruv av mindre storlek.

OBS: Håll maskinen så att den pekar rakt på skruven.

OBS: Om slagstyrkan är för stor dras skruven åt under längre tid än vad som visas i figurerna. Skruven eller spetsen på bitset kan överbelastas, skadas, gångning bli förstörd osv. Innan du påbörjar ett arbete ska du alltid göra ett test för att bestämma den korrekta åtdragningsstiden för skruven.

Åtdragningsmomentet påverkas av en mängd olika faktorer, däribland: Kontrollera alltid åtdragningen med en momentnyckel efter fastsättningen.

1. När batterikassetten är nästan helt urladdad kommer spänningen att falla och åtdragningsmomentet att minska.
2. Skruvbits eller hylsbits
Åtdragningsmomentet försämras om inte rätt storlek används på skruvbits eller hylsbits.
3. Bult
 - Även om momentkoefficienten och bultklassen är samma beror det korrekta åtdragningsmomentet på bultens diameter.

- Även om bultarnas diameter är samma kommer det korrekta åtdragningsmomentet att skilja sig åt i enlighet med momentkoefficienten, bultklassen och bultens längd.
4. Momentet påverkas även av fästmaterialen eller hur maskinen hålls.
 5. Ommaskinen används med låg hastighet minskar åtdragningsmomentet.

UNDERHÅLL

⚠FÖRSIKTIGT: Se alltid till att maskinen är avstängd och batterikassetten borttagen innan inspektion eller underhåll utförs.

OBSERVERA: Använd inte bensen, förtunningsmedel, alkohol eller liknande. Missfärgning, deformation eller sprickor kan uppstå.

För att upprätthålla produktens SÄKERHET och TILLFÖRLITLIGHET bör allt underhålls- och justeringsarbete utföras av ett auktoriserat Makita servicecenter och med reservdelar från Makita.

VALFRIA TILLBEHÖR

⚠FÖRSIKTIGT: Följande tillbehör eller tillsatser rekommenderas för användning med den Makita-maskin som denna bruksanvisning avser. Om andra tillbehör eller tillsatser används kan det uppstå risk för personskador. Använd endast tillbehören eller tillsatserna för de syften de är avsedda för.

Kontakta ditt lokala Makita servicecenter om du behöver ytterligare information om dessa tillbehör.

- Skruvbits
- Hylsbits
- Bitsfäste
- Krok
- Förvaringsväska av plast
- Batteriskydd
- Maskinkrok
- Makitas originalbatteri och -laddare

OBS: Några av tillbehören i listan kan vara inkluderade i maskinpaketet som standardtillbehör. De kan variera mellan olika länder.

TEKNISKE DATA

| Modell: | | DTD153 |
|---------------------------|---------------|--|
| Festekapasitet | Maskinskrue | 4 mm - 8 mm |
| | Standardskrue | 5 mm - 16 mm |
| | Høyfast skrue | 5 mm - 14 mm |
| Hastighet uten belastning | | 0 - 3 400 min ⁻¹ |
| Slag per minutt | | 0 - 3 600 min ⁻¹ |
| Total lengde | | 126 mm |
| Nominell spenning | | DC 18 V |
| Batteriinnsett | | BL1815, BL1815N, BL1820, BL1820B, BL1830, BL1830B, BL1840, BL1840B, BL1850, BL1850B, BL1860B |
| Nettovekt | | 1,3 kg |
| | | 1,5 kg |

- På grunn av vårt kontinuerlige forsknings- og utviklingsprogram kan spesifikasjonene som oppgis i dette dokumentet endres uten varsel.
- Spesifikasjoner og batteriinnsett kan variere fra land til land.
- Vekt, med batteriinnsett, i henhold til EPTA-prosedyre 01/2003

Riktig bruk

Maskinen er beregnet til skruing i tre, metall og plast.

Støy

Typisk A-vektet lydtrykknivå er bestemt i henhold til EN60745:

Lydtrykknivå (L_{pA}): 96 dB (A)

Lydeffektnivå (L_{WA}): 107 dB (A)

Usikkerhet (K): 3 dB (A)

ADVARSEL: Bruk hørselsvern.

Vibrasjoner

Den totale vibrasjonsverdien (triaksial vektorsum) bestemt i henhold EN60745:

Arbeidsmodus: slagstramming av festemidler med maskinens maksimale kapasitet

Genererte vibrasjoner (a_h): 13,0 m/s²

Usikkerhet (K): 1,5 m/s²

MERK: Den angitte verdien for de genererte vibrasjonene er målt i samsvar med standardtestmetoden og kan brukes til å sammenlikne et verktøy med et annet.

MERK: Den angitte verdien for de genererte vibrasjonene kan også brukes til en foreløpig vurdering av eksponeringen.

ADVARSEL: De genererte vibrasjonene ved faktisk bruk av elektroverktøyet kan avvike fra den angitte vibrasjonsverdien, avhengig av hvordan verktøyet brukes.

ADVARSEL: Sørg for å identifisere vernetiltak for å beskytte operatøren, som er basert på et estimat av eksponeringen under de faktiske bruksforholdene (idet det tas hensyn til alle deler av driftssyklusen, dvs. hvor lenge verktøyet er slått av, hvor lenge det går på tomgang og hvor lenge startbryteren faktisk holdes trykket).

EFs samsvarserklæring

Gjelder kun for land i Europa

EFs samsvarserklæring er lagt til som vedlegg A i denne bruksanvisningen.

SIKKERHETSADVARSEL

Generelle advarsler angående sikkerhet for elektroverktøy

ADVARSEL: Les alle sikkerhetsadvarslene og alle instruksjonene. Hvis du ikke følger alle advarslene og instruksjonene som er oppført nedenfor, kan det føre til elektriske støt, brann og/eller alvorlige helseskader.

Oppbevar alle advarsler og instruksjoner for senere bruk.

Uttrykket «elektrisk verktøy» i advarslene refererer både til elektriske verktøy (med ledning) tilkoblet strømmenett, og batteridrevne verktøy (uten ledning).

Sikkerhetsanvisninger for batteridrevet slagtrekker

1. Hold maskinen i det isolerte håndtaket når festemidlet kan komme i kontakt med skjulte ledninger under arbeidet. Hvis skruer eller bolter kommer i kontakt med en «strømførende» ledning, kan metalldelene på det elektriske verktøyet bli «strømførende» og føre til at brukeren får støt.
2. Pass på at du har godt fotfeste. Forviss deg om at ingen står under deg når du jobber høyt over bakken.
3. Hold godt fast i verktøyet.
4. Bruk hørselsvern.
5. Du må ikke berøre bitset eller arbeidsstykket umiddelbart etter at arbeidet er utført. Disse kan være ekstremt varme og vil kunne forårsake brannskader.
6. Hold hendene unna roterende deler.

TA VARE PÅ DISSE INSTRUKSENE.

⚠ ADVARSEL: IKKE LA hensynet til hva som er "behagelig" eller det faktum at du kjenner produktet godt (etter mange gangers bruk) gjøre deg mindre oppmerksom på sikkerhetsreglene for bruken av det aktuelle produktet.

Ved MISBRUK eller hvis ikke sikkerhetsreglene i denne bruksanvisningen følges, kan det oppstå alvorlig personskade.

Viktige sikkerhetsanvisninger for batteriinnsetts

1. Før du begynner å bruke batteriet, må du lese alle anvisninger og forsiktighetsregler på (1) batteriladeren, (2) batteriet og (3) det produktet batteriet skal brukes i.
2. Ikke ta fra hverandre batteriet.
3. Hvis driftstiden er blitt vesentlig kortere, må du omgående slutte å bruke maskinen. Hvis ikke kan resultatet bli overoppheting, mulige forbrenninger eller til og med en eksplosjon.
4. Hvis du får elektrolytt i øynene, må du skylle dem med store mengder rennende vann og oppsøke lege med én gang. Denne typen uhell kan føre til varig blindhet.
5. Ikke kortslutt batteriet:
 - (1) De kan være ekstremt varme og du kan brenne deg.
 - (2) Ikke lagre batteriet i samme beholder som andre metallgjenstander, som for eksempel spiker, mynter osv.
 - (3) Ikke la batteriet komme i kontakt med vann eller regn.En kortslutning av batteriet kan føre til et kraftig strømsstøt, overoppheting, mulige forbrenninger og til og med til at batteriet går i stykker.
6. Ikke lagre maskinen og batteriet på steder hvor temperaturen kan komme opp i eller overskride 50 °C.

7. Ikke sett fyr på batteriet, ikke engang om det er sterkt skadet eller helt utslitt. Batteriet kan eksplodere hvis det begynner å brenne.
8. Vær forsiktig så du ikke mister batteriet eller utsetter det for slag.
9. Ikke bruk batterier som er skadet.
10. **Lithium-ion-batteriene som medfølger er gjensstand for krav om spesialavfall.** For kommersiell transport, f.eks av tredjeparter eller speditører, må spesielle krav om pakking og merking følges. For varen blir sendt, må du forhøre deg med en ekspert på farlig materiale. Ta også hensyn til muligheten for mer detaljerte nasjonale bestemmelser. Bruk teip eller maskeringsteip for å skjule åpne kontakter og pakk inn batteriet på en slik måte at den ikke kan bevege seg rundt i emballasjen.
11. Følg lokale bestemmelser for avhending av batterier.

TA VARE PÅ DISSE INSTRUKSENE.

⚠ FORSIKTIG: Bruk kun originale Makita-batterier. Bruk av batterier som har endret seg, eller som ikke er originale Makita-batterier, kan føre til at batteriet sprekker og forårsaker brann, personskader og andre skader. Det vil også ugyldiggjøre garantien for Makita-verktøyet og -laderen.

Tips for å opprettholde maksimal batterilevetid

1. Lad batteriinnsettsen før den er helt utladet. Stopp alltid driften av verktøyet og lad batteriinnsettsen når du merker at effekten reduseres.
2. Lad aldri en batteriinnsetts som er fulladet. Overopplading forkorter batteriets levetid.
3. Lad batteriet i romtemperatur ved 10 °C - 40 °C. Et varmt batteri må kjøles ned før lading.
4. Lad batteriet hvis det ikke har vært brukt på en lang stund (over seks måneder).

FUNKSJONSBSKRIVELSE

⚠ FORSIKTIG: Forviss deg alltid om at maskinen er slått av og batteriet tatt ut før du justerer maskinen eller kontrollerer dens mekaniske funksjoner.

Sette inn eller ta ut batteri

⚠ FORSIKTIG: Slå alltid av verktøyet før du setter inn eller fjerner batteriet.

⚠ FORSIKTIG: Hold verktøyet og batteripatronen i et fast grep når du monterer eller fjerner batteripatronen. Hvis du ikke holder verktøyet og batteripatronen godt fast, kan du miste grepet, og dette kan føre til skader på verktøyet og batteripatronen samt personskader.

► **Fig.1:** 1. Rød indikator 2. Knapp 3. Batteriinnsetts

For å ta ut batteriet må du skyve på knappen foran på batteriet og trekke det ut.

Når du skal sette inn batteriet, må du plassere tungen på batteriet på linje med sporet i huset og skyve batteriet på plass. Skyv det helt inn til det går i inngrep med et lite klikk. Hvis du kan se den røde anviseren på oversiden av knappen, er det ikke fullstendig låst.

⚠FORSIKTIG: Batteriet må alltid settes helt inn, så langt at den røde anviseren ikke lenger er synlig. Hvis dette ikke gjøres, kan batteriet komme til å falle ut av maskinen og skade deg eller andre som oppholder seg i nærheten.

⚠FORSIKTIG: Ikke bruk makt når du setter i batteriet. Hvis batteriet ikke gir lett inn, er det fordi det ikke settes inn på riktig måte.

Indikere gjenværende batterikapasitet

Kun for batterier med «B» sist i modellnummeret

► **Fig.2:** 1. Indikatorlamper 2. Kontrollknapp

Trykk på sjekk-knappen på batteriet for vise gjenværende batterikapasitet. Indikatorlampene lyser i et par sekunder.

| Indikatorlamper | | | Gjenværende batterinivå |
|-----------------|----|---------|---------------------------|
| Tent | Av | Blinker | |
| ■ | □ | ◐ | |
| ■ ■ ■ ■ | | | 75 % til 100 % |
| ■ ■ ■ □ | | | 50 % til 75 % |
| ■ ■ □ □ | | | 25 % til 50 % |
| ■ □ □ □ | | | 0 % til 25 % |
| ◐ □ □ □ | | | Lad batteriet. |
| ■ ■ □ □ | | | Batteriet kan ha en feil. |
| □ □ ■ ■ | | | |

MERK: Det angitte nivået kan avvike noe fra den faktiske kapasiteten alt etter bruksforholdene og den omgivende temperaturen.

Batterivernsystem for verktøy/batteri

Verktøyet er utstyrt med et batterivernsystem for verktøy/batteri. Dette systemet kutter automatisk strømmen til motoren for å forlenge verktøyets og batteriets levetid. Verktøyet stopper automatisk under drift hvis verktøyet eller batteriet utsettes for en av følgende tilstander:

Overlastsikring

Når batteriet brukes på en måte som gjør at det bruker unormalt mye strøm, vil verktøyet stoppe, helt automatisk og uten forvarsel. I dette tilfellet må du slå av verktøyet og avslutte bruken som forårsaket at verktøyet ble overbelastet. Slå deretter verktøyet på for å starte det igjen.

Overopphetingsvern

Verktøyet stopper automatisk når verktøyet/batteriet er overopphetet. I så fall må du la batteriet kjøle seg ned før du slår verktøyet på igjen.

Overutladingsvern

Når det blir batterikapasiteten er utilstrekkelig, stopper verktøyet automatisk. I så fall fjerner du batteriet fra verktøyet og lader det.

MERK: Overlastsikring virker kun med batterier som har stjernemerking.

► **Fig.3:** 1. Stjernemerking

Bryterfunksjon

► **Fig.4:** 1. Startbryter

⚠FORSIKTIG: Før du setter batteriet inn i maskinen, må du alltid kontrollere at startbryteren aktiverer maskinen på riktig måte og går tilbake til «AV»-stilling når den slippes.

For å starte maskinen, må du trykke på startbryteren. Når du trykker hardere på startbryteren, øker hastigheten på verktøyet. Slipp opp bryteren for å stanse verktøyet.

Tenne frontlampen

► **Fig.5:** 1. Lampe

⚠FORSIKTIG: Ikke se inn i lyset eller se direkte på lyskilden.

Trykk inn startbryteren for å tenne lampen. Lampen fortsetter å lyse så lenge startbryteren holdes inne. Lampen slukkes omtrent 10 sekunder etter at startbryteren er sluppet.

MERK: Bruk en tørr klut til å tørke støv osv. av lampelinsen. Vær forsiktig så det ikke blir riper i lampelinsen, da dette kan redusere lysstyrken.

Reverseringsfunksjon

► **Fig.6:** 1. Reverseringsspak

⚠FORSIKTIG: Før arbeidet begynner, må du alltid kontrollere rotasjonsretningen.

⚠FORSIKTIG: Bruk reversbryteren bare etter at verktøyet har stoppet helt. Hvis du endrer rotasjonsretningen før verktøyet har stoppet, kan det bli ødelagt.

⚠FORSIKTIG: Når du ikke skal bruke maskinen lenger, må du alltid sette reversbryteren i nøytral stilling.

Dette verktøyet har en reversbryter som kan brukes til å endre rotasjonsretningen. Trykk inn reversbryteren fra «A»-siden for å velge rotasjon med klokken, eller fra «B»-siden for å velge rotasjon mot klokken. Når reversbryteren er i nøytral stilling, kan ikke startbryteren trykkes inn.

MONTERING

⚠️ FORSIKTIG: Forviss deg alltid om at maskinen er slått av og batteriet tatt ut før du utfører noe arbeid på maskinen.

Montere eller demontere skrutrekkerbor eller hulbor

► Fig.7

Bruk bare skrutrekkerbor eller hulbor som har åpningsdimensjoner som vist i figuren. Ikke bruk andre skrutrekkerbor/hulbor.

For verktøy med grunt skrutrekkerborehull

| | |
|---------------------|--|
| A= 12 mm B= 9 mm | Bruk bare denne typen skrutrekkerbor. Følg fremgangsmåte 1. (Merk) det er ikke nødvendig med bordelen. |
|---------------------|--|

For verktøy med dypt skrutrekkerborehull

| | |
|----------------------|--|
| A= 17 mm B= 14 mm | Du installerer disse skrutrekkerborene ved å følge fremgangsmåte 1. |
| A= 12 mm B= 9 mm | Du installerer disse skrutrekkerborene ved å følge fremgangsmåte 2. (Merk) Du trenger bordelen for å installere boret. |

Fremgangsmåte 1

For verktøy uten kjoks av typen ett-trykks

► Fig.8: 1. Skrutrekkerbor 2. Hylse

Hvis du vil montere skrutrekkerboret må du dra hylsen i pilretningen og sette skrutrekkerboret så langt inn i hylsen som mulig.

Deretter fjerner du hylsen for å feste skrutrekkerboret.

For verktøy med kjoks av typen ett-trykks

Monter skrutrekkerboret ved å sette det så langt inn i kjoksen som det vil gå.

Fremgangsmåte 2

I tillegg til fremgangsmåte 1 setter du bits-delen inn i kjoksen med den spisse enden pekende innover.

► Fig.9: 1. Skrutrekkerbor 2. Bits-del 3. Hylse

For å demontere skrutrekkerboret må du dra hylsen i pilretningen og dra skrutrekkerboret ut.

MERK: Hvis skrutrekkerboret ikke settes langt nok inn i hylsen, går ikke hylsen tilbake til utgangsposisjon og skrutrekkerboret sikres ikke. I slike tilfeller må du prøve å sette inn bitset på nytt i henhold til instruksene over.

MERK: Hvis det er vanskelig å sette inn skrutrekkerboret, må du trekke i kjoksen og sette det inn så langt det vil gå.

MERK: Når skrutrekkerboret er satt inn, må du forsikre deg om at det sitter godt. Hvis det faller ut, må du ikke bruke det.

Monteringskrok

► Fig.10: 1. Spor 2. Krok 3. Skru

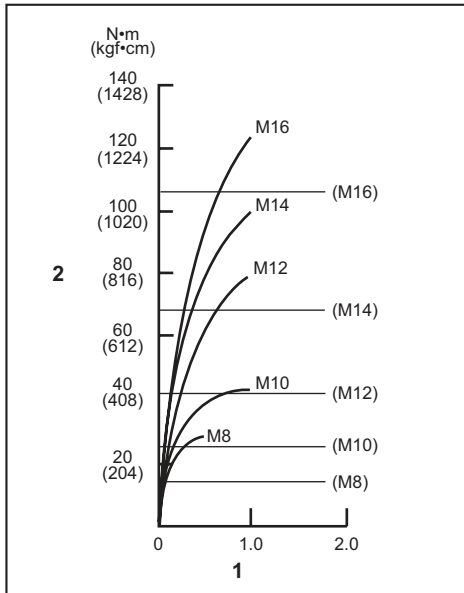
Kroken er praktisk for å henge opp verktøyet med for kortere tid. Den kan monteres på begge sider av verktøyet. For å montere kroken, må du sette den inn i sporet på en av sidene av verktøyhuset og feste den med en skru. Ta den av igjen ved å løsne skruen.

BRUK

► Fig.11

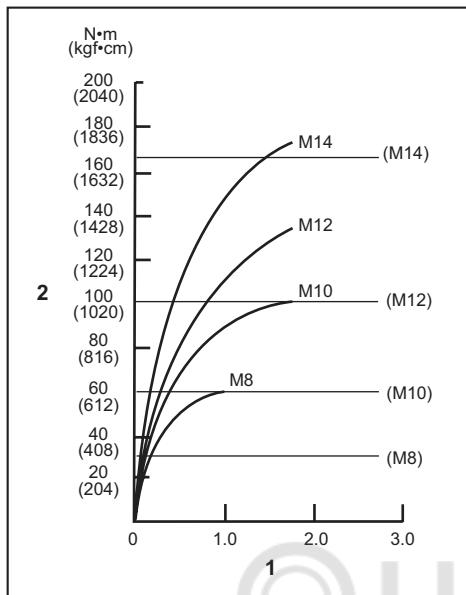
Riktig tiltrekkingmoment kan variere avhengig av skruens/boltens type og størrelse, materialet i arbeidsemnet som skal festes osv. Forholdet mellom tiltrekkingmoment og tiltrekkingstid vises i figurene.

Riktig tiltrekkingmoment for standardskru



1. Festetid (sekunder) 2. Tiltrekkingmoment

Riktig tiltrekingsmoment for høyfast skruer



1. Festetid (sekunder) 2. Tiltrekingsmoment

Hold verktøyet støtt og plasser spissen på slagskrutrekkeren i skruhodet. Beveg verktøyet frem slik at boret ikke gli av skruen, og slå på verktøyet for å starte jobben.

OBS: La maskinen hvile i minst 15 min. hvis du bruker et reservebatteri for å fortsette driften.

MERK: Bruk korrekt bits for hodet på skruen/bolten du vil bruke.

MERK: Ved stramming av M8-skruer eller mindre skruer må du justere trykket på startspaken forsiktig, slik at skruen ikke blir skadet.

MERK: Hold verktøyet rett mot skruen.

MERK: Hvis borstyrken er for stor, eller du strammer skruen over et lengre tidsrom enn angitt på figurene, kan skruen eller spissen av bitset bli overbelastet eller ødelagt e.l. Før du starter arbeidet, må du alltid teste verktøyet for å bestemme korrekt festetid for skruen.

Tiltrekingsmomentet påvirkes av et stort antall faktorer, bl.a. følgende. Etter festing må du alltid sjekke momentet med en momentnøkkel.

1. Når batteriinnsetningen er nesten helt utladet, vil spenningen synke og tiltrekingsmomentet reduseres.
2. Skrutrekkerbor eller hulbor
Hvis du bruker skrutrekker- eller hulbor av feil størrelse, reduseres tiltrekingsmomentet.
3. Skruer
 - Selv om momentkoeffisienten og skruelasen er den samme, vil riktig tiltrekingsmoment variere i henhold til skruens diameter.

- Selv om skruediameteren er den samme, vil riktig tiltrekingsmoment variere i henhold til tiltrekingskoeffisienten, skruelasen og skruens lengde.

4. Måten verktøyet holdes på eller materialet i skrustilling som skal festes har innflytelse på momentet.
5. Hvis verktøyet brukes på lav hastighet, reduseres tiltrekingsmomentet.

VEDLIKEHOLD

⚠FORSIKTIG: Forviss deg alltid om at maskinen er slått av og batteriet tatt ut før du foretar inspeksjon eller vedlikehold.

OBS: Aldri bruk gasolin, bensin, tynner alkohol eller lignende. Det kan føre til misfarging, deformering eller sprekke dannelse.

For å opprettholde produktets SIKKERHET og PÅLITELIGHET, må reparasjoner, vedlikehold og justeringer utføres av autoriserte Makita servicesentre eller fabrikk servicesentre, og det må alltid brukes reservedeler fra Makita.

VALGFRITT TILBEHØR

⚠FORSIKTIG: Det anbefales at du bruker dette tilbehøret eller verktøyet sammen med den Makita-maskinen som er spesifisert i denne håndboken. Bruk av annet tilbehør eller verktøy kan forårsake personskader. Tilbehør og verktøy må kun brukes til det formålet det er beregnet på.

Ta kontakt med ditt lokale Makita-servicesenter hvis du trenger mer informasjon om dette tilbehøret.

- Skrutrekkerbor
- Hulbor
- Bits-del
- Krok
- Verktøykoffert av plast
- Batteribeskyttelse
- Verktøysoppheng
- Makita originalbatteri og lader

MERK: Enkelte elementer i listen kan være inkludert som standardtilbehør i verktøypakken. Elementene kan variere fra land til land.

TEKNISET TIEDOT

| Malli: | DTD153 | |
|------------------------------|----------------------------------|--|
| Kiinnityskapasiteetti | Koneruuvi | 4 mm - 8 mm |
| | Vakiopultti | 5 mm - 16 mm |
| | Suuren vetolujuuden pultti | 5 mm - 14 mm |
| Kuormittamaton kierrosnopeus | 0 - 3 400 min ⁻¹ | |
| Iskua minuutissa | 0 - 3 600 min ⁻¹ | |
| Kokonaispituus | 126 mm | |
| Nimellisjännite | DC 18 V | |
| Akkupaketti | BL1815, BL1815N, BL1820, BL1820B | BL1830, BL1830B, BL1840, BL1840B, BL1850, BL1850B, BL1860B |
| Nettopaino | 1,3 kg | 1,5 kg |

- Jatkuvasta tutkimus- ja kehitystyöstämme johtuen esitetyt tekniset tiedot saattavat muuttua ilman erillistä ilmoitusta.
- Tekniset tiedot ja akkupaketti voivat vaihdella maittain.
- Paino akkupaketilla, EPTA-menettelyn 01/2003 mukaan

Käyttötarkoitus

Työkalu on tarkoitettu ruuvien kiinnittämiseen puuhun, metalliin ja muoviin.

Melutaso

Tyypillinen A-painotettu melutaso määräytyy standardin EN60745 mukaan:

Äänenpainetaso (L_{pA}): 96 dB (A)

Äänen voiman taso (L_{WA}): 107 dB (A)

Virhemarginaali (K): 3 dB (A)

VAROITUS: Käytä kuulosuojaimia.

Tärinä

Kokonaistärinä (kolmen akselin vektorien summa)

määräytyy standardin EN60745 mukaan:

Työtila: työkalun maksimikapasiteetti kiinnittimien iskukiristyksessä

Tärinäpäästö (a_h): 13,0 m/s²

Virhemarginaali (K): 1,5 m/s²

HUOMAA: Ilmoitettu tärinäpäästöarvo on mitattu standarditestausmenetelmän mukaisesti, ja sen avulla voidaan vertailla työkaluja keskenään.

HUOMAA: Ilmoitettua tärinäpäästöarvoa voidaan käyttää myös altistumisen alustavaan arviointiin.

VAROITUS: Työkalun käytön aikana mitattu todellinen tärinäpäästöarvo voi poiketa ilmoitetusta tärinäpäästöarvosta työkalun käyttötavan mukaan.

VAROITUS: Selvitä käyttäjän suojaamiseksi tarvittavat varoimet todellisissa käyttöolosuhteissa tapahtuvan arvioitun altistumisen mukaisesti (ottaen huomioon käyttöjakso kokonaisuudessaan, myös jaksot, joiden aikana työkalu on sammutettuna tai käy tyhjäkäynnillä).

EY-vaatimustenmukaisuusvakuutus

Koskee vain Euroopan maita

EY-vaatimustenmukaisuusvakuutus on liitetty tähän käyttöoppaaseen.

TURVAVAROITUKSET

Sähkötyökalujen käyttöä koskevat yleiset varoitukset

VAROITUS: Lue huolellisesti kaikki turvallisuusvaroitukset ja käyttöohjeet. Jos varoitusten ja ohjeiden noudattaminen laiminlyödään, seurauksena voi olla sähköisku, tulipalo ja/tai vakava vammautuminen.

Säilytä varoitukset ja ohjeet tulevaa käyttöä varten.

Varoituksissa käytettävällä termillä "sähkötyökalu" tarkoitetaan joko verkkovirtaa käyttävää (johdollista) työkalua tai akkukäyttöistä (johdotonta) työkalua.

Akkukäyttöisen iskuvääntimen turvaohjeet

1. **Pitele sähkötyökalua sen eristetyistä tartuntapinnoista silloin, kun on mahdollista, että kiinnitystarvike saattaa osua piilossa oleviin johtoihin.** Kiinnitystarvikkeen osuminen jännitteeseen johtoon voi johtaa jännitteen työkalun sähköjohtaviin metalliosiin ja aiheuttaa käyttäjälle sähköiskun.

2. **Seiso aina tukevassa asennossa.** Varmista korkealla työskennellessäsi, että ketään ei ole alapuolella.
3. **Ota koneesta luja ote.**
4. **Käytä korvasuojaimia.**
5. **Älä kosketa kärkeä tai työkalupäätä heti käytön jälkeen.** Ne voivat olla hyvin kuumia ja aiheuttaa palovammoja.
6. **Pidä kädet loitolla pyörivistä osista.**

SÄILYTÄ NÄMÄ OHJEET.

VAROITUS: ÄLÄ anna työkalun helpokäyttöisyyden (toistuvan käytön aikaansaama) johtaa sinua väärään turvallisuuden tunteeseen niin, että laiminlyöt työkalun turvaohjeiden noudattamisen.

VÄÄRINKÄYTTÖ tai tässä käyttöohjeessa ilmoitettujen turvamääräysten laiminlyönti voi aiheuttaa vakavia henkilövahinkoja.

Akkupakettia koskevia tärkeitä turvaohjeita

1. Ennen akun käyttöönottoa tutustu kaikkiin laturissa (1), akussa (2) ja akkukäyttöisessä tuotteessa (3) oleviin varoitusteksteihin.
2. Älä pura akku.
3. Jos akun toiminta-aika lyhenee merkittävästi, lopeta akun käyttö. Seurauksena voi olla ylikuumeneminen, palovammoja tai jopa räjähdys.
4. Jos akkunestettä pääsee silmiin, huuhtele puhtaalla vedellä ja hakeudu välittömästi lääkärin hoitoon. Akkuneste voi aiheuttaa näön menetyksen.
5. Älä oikosulje akku.
 - (1) Älä koske akun napoihin millään sähköä johtavalla materiaalilla.
 - (2) Vältä akun oikosulkemista äläkä säilytä akku yhdessä muiden metalliesineiden, kuten naulojen, kolikoiden ja niin edelleen kanssa.
 - (3) Älä aseta akku alttiiksi vedelle tai sateelle.

Oikosulku voi aiheuttaa virtapiikin, ylikuumenemista, palovammoja tai laitteen rikkoontumisen.

6. Älä säilytä työkalua ja akku paikassa, jossa lämpötila voi nousta 50 °C:een tai sitäkin korkeammaksi.
7. Älä hävitä akkuja polttamalla, vaikka se olisi pahoin vaurioitunut tai täysin loppuun kulunut. Avotuli voi aiheuttaa akun räjähtämisen.
8. Varo kolhimasta tai pudottamasta akku.
9. Älä käytä viallista akku.
10. Sisältyviä litium-ioni-akkuja koskevat vaarallisten aineiden lainsäädännön vaatimukset.

Esimerkiksi kolmansien osapuolten huolintaliikkeen tulee kaupallisissa kuljetuksissa noudattaa pakkaamista ja merkintöjä koskevia erityisvaatimuksia.

Lähetettävän tuotteen valmistelu edellyttää vaarallisten aineiden asiantuntijan neuvontaa. Huomioi myös mahdollisesti yksityiskohtaisemmat kansalliset määräykset

Akun avoimet liittimet tulee suojata teipillä tai suojuksella ja pakkaaminen tulee tehdä niin, ettei akku voi liikkua pakkauksessa.

11. **Hävitä akku paikallisten määräysten mukaisesti.**

SÄILYTÄ NÄMÄ OHJEET.

HUOMIO: Käytä vain alkuperäisiä Makita-akkuja. Muiden kuin aitojen Makita-akkujen, tai mahdollisesti muutettujen akkujen käyttö voi johtaa akun murtumiseen ja aiheuttaa tulipaloja, henkilö- ja omaisuusvahinkoja. Se mitätöi myös Makita-työkalun ja -laturin Makita-takuun.

Vihjeitä akun käyttöiän pidentämiseksi

1. Lataa akku ennen kuin se purkautuu täysin. Lopeta aina työkalun käyttö ja lataa akku, jos huomaat työkalun tehon vähenevän.
2. Älä koskaan lataa uudestaan täysin ladattua akku. Yli lataaminen lyhentää akun käyttöikää.
3. Lataa akku huoneen lämpötilassa välillä 10 °C - 40 °C. Anna kuumenuneen akun jäähtyä ennen lataamista.
4. Lataa akkupaketti, jos et käytä sitä pitkään aikaan (yli kuusi kuukautta).

TOIMINTOJEN KUVAUS

HUOMIO: Varmista aina ennen säätöjä ja tarkastuksia, että työkalu on sammutettu ja akkupaketti irrotettu.

Akun asentaminen tai irrottaminen

HUOMIO: Sammuta työkalu aina ennen akun kiinnittämistä tai irrottamista.

HUOMIO: Pidä työkalusta ja akusta tiukasti kiinni, kun irrotat tai kiinnität akku. Jos akkupaketti tai työkalu putoaa, ne voivat vaurioitua tai aiheuttaa tapaturman.

- **Kuva1:** 1. Punainen merkkivalo 2. Painike 3. Akkupaketti

Irrota akku painamalla akun etupuolella olevaa painiketta ja vetämällä akku ulos työkalusta.

Akku liitetään sovitamalla akun kieleke rungon uraan ja työntämällä se sitten paikoilleen. Työnnä akku pohjaan asti niin, että kuulet sen napsahtavan paikoilleen. Jos painikkeen yläpuolella näkyy punainen ilmaisin, akku ei ole lukkiutunut täysin paikoilleen.

HUOMIO: Työnnä akku aina pohjaan asti, niin että punainen ilmaisin ei enää näy. Jos akku ei ole kunnolla paikallaan, se voi pudota työkalusta ja aiheuttaa vammoja joko sinulle tai sivullisille.

HUOMIO: Älä käytä voimaa akun asennuksessa. Jos akku ei lii'u paikalleen helposti, se on väärässä asennossa.

Akun jäljellä olevan varaustason ilmaisin

Vain akkupaketeille, joiden mallinumeron lopussa on "B"

► Kuva2: 1. Merkkivalot 2. Tarkistuspainike

Painamalla tarkistuspainiketta saat näkyviin akun jäljellä olevan varauksen. Merkkivalot palavat muutaman sekunnin ajan.

| Merkkivalot | | | Akussa jäljellä olevan varaus |
|-------------|-------------|---------|--|
| Palaa | Pois päältä | Viilkuu | |
| | | | 75% - 100% |
| | | | 50% - 75% |
| | | | 25% - 50% |
| | | | 0% - 25% |
| | | | Lataa akku. |
| | | | Akussa on saattanut olla toimintahäiriö. |
| | | | |
| | | | |

HUOMAA: Ilmoitettu varaustaso voi erota hieman todellisesta varaustasosta sen mukaan, millaisissa oloissa ja missä lämpötilassa laitetta käytetään.

Työkalun/akun suojausjärjestelmä

Työkalu on varustettu työkalu/akun suojausjärjestelmällä. Tämä järjestelmä pidentää työkalun ja akun käyttöikää katkaisemalla automaattisesti moottorin virran. Työkalu pysähtyy automaattisesti kesken käytön, jos työkalussa tai akussa ilmenee jokin seuraavista tilanteista:

Ylikuormitussuoja

Kun työkalua käytetään tavalla, mikä saa sen kuluttamaan epätavallisen suuren määrän virtaa, työkalu pysähtyy automaattisesti ilman mitään merkkivaloa tai ilmaisinta. Katkaise tässä tilanteessa työkalusta virta ja lopeta ylikuormitustilan aiheuttanut käyttö. Käynnistä sitten työkalu uudelleen kytkemällä siihen virta.

Ylikuumenemissuoja

Kun työkalu/akku ylikuumentaa, työkalu pysähtyy automaattisesti. Anna tässä tilanteessa akun jäähtyä, ennen kuin kytket työkaluun virran uudelleen.

Ylipurkautumissuoja

Kun akun varaus on riittämätön, työkalu pysähtyy automaattisesti. Irrota silloin akku työkalusta ja lataa se.

HUOMAA: Ylikuormitussuojaus toimii vain sellaisten akkujen kanssa, joissa on tähtimerkintä.

► Kuva3: 1. Tähtimerkintä

Kytkimen käyttäminen

► Kuva4: 1. Liipaisinkytkin

▲HUOMIO: Tarkista aina ennen akkupaketin asettamista työkaluun, että liipaisinkytkin kytkeytyy oikein ja palaa "OFF"-asentoon, kun se vapautetaan.

Käynnistä työkalu painamalla liipaisinkytkintä. Mitä voimakkaammin liipaisinkytkintä painetaan, sitä nopeammin työkalu pyörii. Voit pysäyttää työkalun vapauttamalla liipaisimen.

Etulampun syyttäminen

► Kuva5: 1. Lamppu

▲HUOMIO: Älä katso suoraan lamppuun tai valonlähteeseen.

Lamppu syttyy, kun painat liipaisinkytkintä. Lamppu palaa niin kauan kuin liipaisinkytkintä painetaan. Lamppu sammuu noin 10 sekunnin kuluttua liipaisinkytkimen vapauttamisesta.

HUOMAA: Pyyhi lika pois linssistä kuivalla liinalla. Varo naarmuttamasta linssiä, ettei valoteho laske.

Pyörimissuunnan vaihtokytkimen toiminta

► Kuva6: 1. Pyörimissuunnan vaihtokytkimen vipu

▲HUOMIO: Tarkista aina pyörimissuuntaa ennen käyttöä.

▲HUOMIO: Käytä pyörimissuunnan vaihtokytkintä vasta sen jälkeen, kun kone on lakannut kokonaan pyörimästä. Pyörimissuunnan vaihto koneen vielä pyöriessä voi vahingoittaa sitä.

▲HUOMIO: Aina kun konetta ei käytetä, käännä pyörimissuunnan vaihtokytkin keskiasentoon.

Työkalussa on pyörimissuunnan vaihtokytkin. Jos haluat koneen pyöriä myötöpäivään, paina vaihtokytkintä A-puolelta ja jos vastapäivään, paina sitä B-puolelta.

Jos pyörimissuunnan vaihtokytkin on keskiasennossa, liipaisinkytkin lukittuu.

KOKOONPANO

▲HUOMIO: Varmista aina ennen mitään työkalulle tehtäviä toimenpiteitä, että se on sammutettu ja akku irrotettu.

Ruuvauskärjen/kärkipalan asentaminen tai irrottaminen

► Kuva7

Käytä vain ruuvauskärkeä tai istukkakärkeä, joissa on kuvan mukaiset kiinnityskohdat. Älä käytä mitään muunlaista ruuvauskärkeä tai istukkakärkeä.

Työkaluille, joissa on matala kärkiaukko

| | |
|-----------------|--|
| A=12mm B=9mm | Käytä vain tämäntyyppisiä ruuvauskärkiä. Seuraa toimitatapa 1. (Huom.) Kärkipala ei ole välttämätön. |
|-----------------|--|

Työkaluille, joissa on matala ruuvauskärjen aukko

| | |
|------------------|--|
| A=17mm B=14mm | Tämäntyyppisiä ruuvauskärkiä käytettäessä seuraa toimitatapa 1. |
| A=12mm B=9mm | Tämäntyyppisiä ruuvauskärkiä käytettäessä seuraa toimitatapa 2. (Huom.) Kärkipala on välttämätön kärjen asentamiseksi. |

Tapa 1

Työkalulle ilman pikaistukkaa

► Kuva8: 1. Ruuvauskärki 2. Holkki

Ruuvauskärjen asentamiseksi vedä holkkia nuolen osoittamaan suuntaan ja aseta pää holkkiin niin pitkälle, kuin se menee.

Vapauta sitten holkki varmistaaksesi ruuvauskärjen.

Työkalulle, jossa on pikaistukka

Kiinnitä kärki työntämällä se istukkaan niin pitkälle kuin se menee.

Tapa 2

Edellä **tavassa 1** mainitun ohjeen lisäksi työnnä teräkkipale holkkiin terävä pää sisäänpäin.

► Kuva9: 1. Ruuvauskärki 2. Kärkipalale 3. Holkki

Vedä holkkia nuolen osoittamaan suuntaan kärjen irrottamiseksi ja vedä ruuvauskärki ulos.

HUOMAA: Jos ruuvauskärkeä ei ole asennettu holkkiin tarpeeksi syväälle, holkki ei palaa alkuperäiseen asentoonsa eikä ruuvauskärkeä ole varmistettu. Yritä tässä tapauksessa asentaa ruuvauskärki uudelleen yllä mainittujen ohjeiden mukaan.

HUOMAA: Jos kärjen kiinnittäminen ei onnistu, vedä holkkia taaksepäin ja työnnä kärki sitten niin pitkälle kuin se menee.

HUOMAA: Varmista kärjen kiinnityksen pitävyyden kiinnittämisen jälkeen. Jos kärki ei pysy paikallaan, älä käytä sitä.

Koukun asentaminen

► Kuva10: 1. Ura 2. Koukku 3. Ruuvi

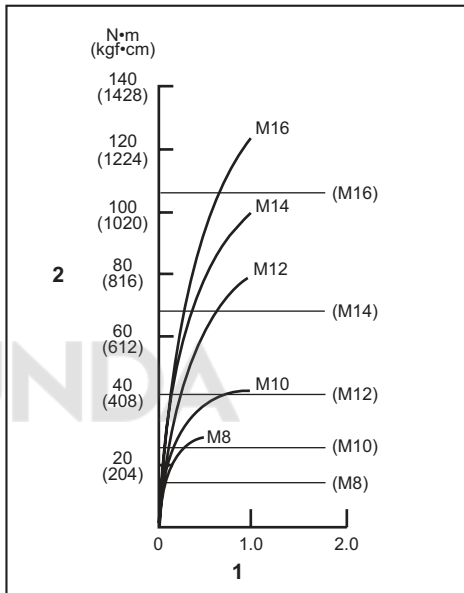
Työkalu voidaan kätevästi ripustaa väliaikaisesti koukuun. Tämä voidaan asentaa kummalle puolelle työkalua tahansa. Asenna koukku työntämällä se työkalun rungon uraan jommallekummalle puolelle ja varmista kiinnitys ruuvilla. Voit irrottaa koukun löysäämällä ja irrottamalla ruuvin.

TYÖSKENTELY

► Kuva11

Oikea kiinnitysmomentti saattaa vaihdella ruuvipultin tyypistä ja koosta riippuen, kiinnitettävästä työkalun materiaalista, jne. Kiinnitysvääntömomentin ja kiinnityssajan suhde näkyy kuvissa.

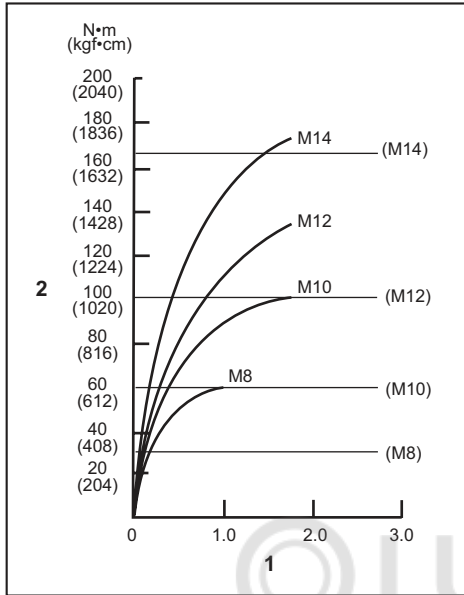
Asianmukainen kiinnitysvääntömomentin vakiopultti



1. Kiinnitysaika (sekunneissa)

2. Kiinnitysvääntömomentti

Asianmukainen kiinnitysvääntömomentin suuren vetolujuuden putlille



1. Kiinnitysaika (sekunneissa)
2. Kiinnitysvääntömomentti

Pidä työkalua lujasti ja aseta vääntimen kärjen pää ruuvin kantaan. Paina työkalua eteenpäin niin ettei ruuvauskärki liu'u pois ruuvista ja käännä työkalu päälle toiminnan aloittamiseksi.

HUOMAUTUS: Jos jatkat työkalun käyttöä vara-akun avulla, anna työkalun olla käyttämättä vähintään 15 min.

HUOMAA: Käytä oikeaa kärkeä siihen ruuvin/pultin päähän, jota haluat käyttää.

HUOMAA: Kun kiinnität M8-kokoisia tai sitä pienempiä ruuveja, paina liipaisinkytkintä varovasti, ettei ruuvi vahingoitu.

HUOMAA: Pidä työkalua suoraan ruuvia päin kohdistettuna.

HUOMAA: Jos iskuvoima on liian suuri, tai kiristät ruuvia kauemmin kuin kuvat osoittavat, ruuvi tai ruuvauskärki voivat kuormittua liikaa, murtua, vahingoittua jne. Kokeile aina ennen työn aloittamista, mikä on ruuville sopiva kiristysaika.

Kiinnitysmomenttiin vaikuttaa monta eri tekijää, mukaan lukien seuraavat. Tarkista aina kiinnityksen jälkeen momentti momenttiavaimella.

1. Kun akku on melkein täysin purkautunut, jännite laskee ja kiinnitysmomentti heikkenee.
2. Vääntimen kärki tai istukkakärki
Sopivan kokoisen vääntimen kärjen tai istukkakärjen käytön laiminlyönti aiheuttaa kiinnitysmomentin heikkenemisen.

3. Lankkuliitostarkäri
 - Vaikka momentin kerroin ja pulttiluokka ovat samat, oikea kiinnitysmomentti vaihtelee pultin halkaisijan mukaan.
 - Vaikka pulttien halkaisijat ovat samat, oikea kiinnitysmomentti vaihtelee momentin kertoi-men, pulttiluokan ja pulttipituuden mukaan.
4. Työkalun pitämistapa tai kytkettävä ajoasento materiaalin vaikuttaa momenttiin.
5. Työkalun käyttö alhaisella nopeudella aiheuttaa kiinnitysmomentin heikkenemisen.

KUNNOSSAPITO

HUOMIO: Varmista aina ennen tarkastusta tai huoltoa, että työkalu on sammutettu ja akku irrotettu.

HUOMAUTUS: Älä koskaan käytä bensiiniä, ohenteita, alkoholia tai tms. aineita. Muutoin pinta voi halkeilla tai sen värit ja muoto voivat muuttua. Muutoin laitteeseen voi tulla värjäytyymiä, muodon vääristymiä tai halkeamia.

Tuotteen TURVALLISUUDEN ja LUOTETTAVUUDEN takaamiseksi korjaukset, muut huoltotyöt ja säädöt on teetettävä Makitan valtuutetussa huoltopisteessä Makitan varaosia käyttäen.

LISÄVARUSTEET

HUOMIO: Seuraavia lisävarusteita tai laitteita suositellaan käytettäväksi tässä ohjeessa kuvatun Makita-työkalun kanssa. Muiden lisävarusteiden tai laitteiden käyttö voi aiheuttaa henkilövahinkoja. Käytä lisävarusteita ja -laitteita vain niiden käyttötarkoituksen mukaisesti.

Jos tarvitset apua tai yksityiskohtaisempia tietoja seuraavista lisävarusteista, ota yhteys paikalliseen Makitan huoltoon.

- Ruuvauskärjet
- Hylsykärjet
- Kärkikappale
- Koukku
- Muovinen kantolaukku
- Akun suojaustoiminto
- Työkaluripustin
- Aito Makitan akku ja laturi

HUOMAA: Jotkin luettelossa mainitut varusteet voivat sisältyä työkalun toimitukseen vakiovarusteina. Ne voivat vaihdella maittain.

SPECIFIKĀCIJAS

| Modelis: | | DTD153 |
|----------------------|-------------------------|--|
| Pievilkšanas spēja | Nostiprinātājskrūve | 4 mm - 8 mm |
| | Standarta skrūve | 5 mm - 16 mm |
| | Lielas izturības skrūve | 5 mm - 14 mm |
| Ātrums bez slodzes | | 0 - 3 400 min ⁻¹ |
| Trieieni minūtē | | 0 - 3 600 min ⁻¹ |
| Kopējais garums | | 126 mm |
| Nominālais spriegums | | Līdzstrāva 18 V |
| Akumulatora kasetne | | BL1815, BL1815N, BL1820, BL1820B, BL1830, BL1830B, BL1840, BL1840B, BL1850, BL1850B, BL1860B |
| Tīrsvars | | 1,3 kg |
| | | 1,5 kg |

- Nepārtrauktās izpētes un izstrādes programmas dēļ šeit uzrādītās specifikācijas var tikt mainītas bez brīdinājuma.
- Specifikācijas un akumulatora kasetne var atšķirties dažādās valstīs.
- Svārs ar akumulatora kasetni saskaņā ar EPA-Procedure 01/2003

Paredzētā lietošana

Šis darbarīks ir paredzēts skrūvju ieskrūvēšanai kokā, metālā un plastmasā.

Trokšņa līmenis

Tipiskais A svērtais trokšņa līmenis noteikts saskaņā ar EN60745:

Skaņas spiediena līmeni (L_{pA}): 96 dB (A)

Skaņas jaudas līmeni (L_{WA}): 107 dB (A)

Mainīgums (K): 3 dB (A)

▲BRĪDINĀJUMS: Lietojiet ausu aizsargus.

Vibrācija

Vibrācijas kopējā vērtība (trīsasu vektora summa) noteikta atbilstoši EN60745:

Darba režīms: rīka maksimālās jaudas stiprinājumu pievilkšana

Vibrācijas izmēte (a_h): 13,0 m/s²

Mainīgums (K): 1,5 m/s²

PIEZĪME: Paziņotā vibrācijas emisijas vērtība noteikta atbilstoši standarta pārbaudes metodei un to var izmantot, lai salīdzinātu vienu darbarīku ar citu.

PIEZĪME: Paziņoto vibrācijas emisijas vērtību arī var izmantot iedarbības sākotnējā novērtējumā.

▲BRĪDINĀJUMS: Reāli lietojot elektrisko darbarīku, vibrācijas emisija var atšķirties no paziņotās emisijas vērtības atkarībā no darbarīka izmantošanas veida.

▲BRĪDINĀJUMS: Lai aizsargātu lietotāju, nosakiet drošības pasākumus, kas pamatoti ar iedarbību reālos darba apstākļos (ņemot vērā visus ekspluatācijas cikla posmus, piemēram, laiku, kamēr darbarīks ir izslēgts un kad darbojas tukšgaitā, kā arī palaides laiku).

EK atbilstības deklarācija

Tikai Eiropas valstīm

EK atbilstības deklarācija šajā lietošanas rokasgrāmatā ir iekļauta kā A pielikums.

DROŠĪBAS BRĪDINĀJUMI

Vispārīgi elektrisko darbarīku drošības brīdinājumi

▲BRĪDINĀJUMS: Izlasiet visus drošības brīdinājumus un visus norādījumus. Brīdinājumu un norādījumu neievērošanas gadījumā var rasties elektriskās strāvas trieciens, ugunsgrēks un/vai nopietnas traumas.

Glabājiet visus brīdinājumus un norādījumus, lai varētu tajos ieskatīties turpmāk.

Termins „elektrisks darbarīks” brīdinājumos attiecas uz tādu elektrisko darbarīku, ko darbina ar elektrību (ar vadu), vai tādu, ko darbina ar akumulatoru (bez vada).

Drošības brīdinājumi bezvada triecienskrūvgrieža lietošanai

1. Veicot darbu, turiet elektrisko darbarīku aiz izolētajām satveršanas virsmām, ja stiprinājums varētu saskarties ar paslēptu elektroinstalāciju. Stiprinājumiem saskaroties ar vadu, kurā ir spriegums, elektriskā darbarīka ārējās metāla virsmas var vadīt strāvu un radīt lietotājam elektrotraumu.

- Vienmēr nodrošiniet stabili pamatu kājām. Ja lietojat darbarīku, strādājot lielā augstumā virs zemes, pārliecinieties, ka apakšā neviena nav.
- Darbarīku turiet cieši.
- Izmantojiet asu aizsargus.
- Nepieskarieties uzgalim vai apstrādājamajam materiālam tūlīt pēc ekspluatācijas. Tie var būt ļoti karsti un var apdedzināt ādu.
- Turiet rokas tālu no rotējošām daļām.

SAGLABĀJIET ŠOS NORĀDĪJUMUS.

▲BRĪDINĀJUMS: NEPIEĻAUJIET to, ka labu iemaņu vai izstrādājuma labas pārziņāšanas (darbarīku atkārtoti ekspluatējot) rezultātā vairs stingri neievērojat šī izstrādājuma drošības noteikumus.

NEPAREIZI LIETOJOT darbarīku vai neievērojot šajā instrukciju rokasgrāmatā minētos drošības noteikumus, var tikt gūtas smagas traumas.

Svarīgi drošības norādījumi par akumulatora kasetni

- Pirms akumulatora lietošanas izlasiet visus norādījumus un brīdinājumus, kuri attiecas uz (1) akumulatora lādētāju, (2) akumulatoru un (3) ierīci, kurā tiek izmantots akumulators.
- Neizjauciet akumulatoru.
- Ja akumulatora darbības laiks kļūva ievērojami īsāks, nekavējoties pārtrauciet to izmantot. Citādi, tas var izraisīt pārkarsējumu, uzliesmojumu vai pat sprādzienu.
- Ja elektrolīts nonāk acīs, izskalojiet tās ar tīru ūdens un nekavējoties griežieties pie ārsta. Tas var izraisīt redzes zaudēšanu.
- Neradiet īssavienojumu akumulatora kasetnē:
 - Nepieskarieties spaiļēm ar elektrību vadošiem materiāliem.
 - Neuzglabājiet akumulatoru kasetni kopā ar citiem metāla priekšmetiem, tādiem kā naglas, monētas u. c.
 - Nepakļaujiet akumulatora kasetni ūdens vai lietus iedarbībai.
 Akumulatora īssavienojums var radīt spēcīgu strāvas plūsmu, pārkaršanu, uzliesmojumu un pat sabojāt akumulatoru.
- Neglabājiet darbarīku un akumulatora kasetni vietās, kur temperatūra var sasniegt vai pārsniegt 50 °C (122 °F).
- Nedeziniet akumulatora kasetni, pat ja tā ir stipri bojāta vai pilnībā nolietota. Akumulatora kasetne ugunī var eksplodēt.
- Uzmanieties, lai neļautu akumulatoram nokrist un nepakļautu to sitienam.
- Neizmantojiet bojātu akumulatoru.
- Uz izmantotajiem litija jonu akumulatoriem attiecas likumdošanas prasības par bīstamiem izstrādājumiem.

Komerציālā transportēšanā, ko veic, piemēram, trešās puses, transporta uzņēmumi, jāievēro uz iesaiņojuma un marķējuma norādītās īpašās prasības.

Lai izstrādājumu sagatavotu nosūtīšanai, jāsaiznās ar bīstamo materiālu speciālistu. Ievērojiet arī citus attiecināmos valsts normatīvus.

Vajējus kontaktus nosedziet ar līmlenti vai citādi pārklājiet, bet akumulatoru iesaiņojiet tā, lai sainītas nevarētu izkustēties.

- Ievērojiet vietējos noteikumus par akumulatora likvidēšanu.

SAGLABĀJIET ŠOS NORĀDĪJUMUS.

▲UZMANĪBU: Lietojiet tikai oriģinālos Makita akumulatorus. Ja lietojat neoriģinālus Makita akumulatorus vai pārveidotus akumulatorus, tie var uzsprāgt un izraisīt aizdegšanos, traumas un materiālos zaudējumus. Tikas anulēta arī Makita darbarīka un lādētāja garantija.

Ieteikumi akumulatora kalpošanas laika pagarināšanai

- Uzlādējiet akumulatora kasetni, pirms tā ir pilnībā izlādējusies. Vienmēr, kad ievērojat, ka darbarīka darba jauda zudusi, apturiet darbarīku un uzlādējiet akumulatora kasetni.
- Nekad neuzlādējiet pilnībā uzlādētu akumulatora kasetni. Pārmērīga uzlāde saīsina akumulatora kalpošanas laiku.
- Uzlādējiet akumulatora kasetni istabas temperatūrā 10 °C - 40 °C. Karstai akumulatora kasetnei pirms uzlādes ļaujiet atdzist.
- Uzlādējiet litija jonu akumulatora kasetni, ja to ilgstoši nelietosit (vairāk nekā sešus mēnešus).

FUNKCIJU APRAKSTS

▲UZMANĪBU: Pirms darbarīka regulēšanas vai tā darbības pārbaudes vienmēr pārliecinieties, ka darbarīks ir izslēgts un akumulatora kasetne ir izņemta.

Akumulatora kasetnes uzstādīšana un izņemšana

▲UZMANĪBU: Vienmēr pirms akumulatora kasetnes uzstādīšanas vai noņemšanas izslēdziet darbarīku.

▲UZMANĪBU: Uzstādot vai izņemot akumulatora kasetni, darbarīku un akumulatora kasetni turiet cieši. Ja darbarīku un akumulatora kasetni netur cieši, tie var izkrist no rokām un radīt bojājumus darbarīkam un akumulatora kasetnei, kā arī izraisīt ievainojumus.

- **Att.1:** 1. Sarkanās krāsas indikators 2. Poga 3. Akumulatora kasetne

Lai izņemtu akumulatora kasetni, izvelciet to no darbarīka, pārbīdot kasetnes priekšpusē esošo pogu.

Lai uzstādītu akumulatora kasetni, salāgojiet mēlīti uz akumulatora kasetnes ar rievu ietvarā un iebīdiēt to vietā. Ievietojiet to līdz galam, līdz tā ar klikšķi nofiksējas. Ja pogas augšējā daļā redzams sarkanās krāsas indikators, tas nozīmē, ka tā nav pilnīgi fiksēta.

⚠UZMANĪBU: Vienmēr ievietojiet akumulatora kasetni tā, lai sarkanais indikators nebūtu redzams. Pretējā gadījumā tā var nejauši izkrist no darbarīka un izraisīt jums vai apkārtējiem traumas.

⚠UZMANĪBU: Neievietojiet akumulatora kasetni ar spēku. Ja kasetne neslīd ietvarā viegli, tā nav pareizi ielikta.

Atlikušās akumulatora jaudas indikators

Tikai akumulatoru kasetnēm, kuru modeļa numura beigās ir burts „B”

► **Att.2:** 1. Indikatora lampas 2. Pārbaudes poga

Nospiediet akumulatora kasetnes pārbaudes pogu, lai pārbaudītu akumulatora atlikušo uzlādes līmeni. Indikatori iedegsies uz dažām sekundēm.

| Indikatora lampas | | | Atlikusi jauda |
|-------------------|--|--|------------------------------|
| | | | |
| | | | No 75% līdz 100% |
| | | | No 50% līdz 75% |
| | | | No 25% līdz 50% |
| | | | No 0% līdz 25% |
| | | | Uzlādējiet akumulatoru. |
| | | | Iespējama akumulatora kļūme. |
| | | | |

PIEZĪME: Reālā jauda var nedaudz atšķirties no norādītās atkarībā no lietošanas apstākļiem un apkārtējās temperatūras.

Darbarīka/akumulatora aizsardzības sistēma

Darbarīkam ir darbarīka/akumulatora aizsardzības sistēma. Šī sistēma automātiski izslēdz strāvas padevi motoram, lai pagarinātu darbarīka un akumulatora darbību. Lietošanas laikā darbarīks automātiski pārstās darboties, ja darbarīku vai akumulatoru pakļaus kādam no šādiem apstākļiem.

Aizsardzība pret pārslodzi

Ja akumulatoru lieto tā, ka tas patērē pārmērīgi lielu strāvas daudzumu, darbarīks automātiski pārstāj darboties bez jebkādas norādes. Šādā gadījumā izslēdziet darbarīku un pārtrauciet darbību, kas izraisīja darbarīka pārslodzi. Tad ieslēdziet darbarīku, lai atsāktu darbu.

Aizsardzība pret pārkaršanu

Kad darbarīks/akumulators ir pārkaršis, darbarīks automātiski pārstāj darboties. Šādā gadījumā ļaujiet akumulatoram atdzist pirms atkārtotas darbarīka ieslēgšanas.

Aizsardzība pret akumulatora pārmērīgu izlādi

Ja akumulatora jaudas līmenis ir zems, darbarīks automātiski pārstāj darboties. Šajā gadījumā ļaujiet akumulatoru izņemt no darbarīka un uzlādējiet.

PIEZĪME: Aizsardzība pret pārslodzi darbosies tikai tad, ja ir ievietoti akumulatori ar zvaigznes simbolu.

► **Att.3:** 1. Zvaigznes simbols

Slēdža darbība

► **Att.4:** 1. Slēdža mēlīte

⚠UZMANĪBU: Pirms akumulatora kasetnes uzstādīšanas darbarīkā vienmēr pārbaudiet, vai slēdža mēlīte darbojas pareizi un pēc atlaišanas atgriežas stāvoklī „OFF” (Izslēgts).

Lai ieslēgtu darbarīku, pavelciet slēdža mēlīti. Darbarīka ātrums palielinās, palielinoties spiedienam uz slēdža mēlīti. Lai darbarīku apturētu, atlaidiet slēdža mēlīti.

Priekšējās lampas ieslēgšana

► **Att.5:** 1. Lampa

⚠UZMANĪBU: Neskatieties gaismā, neļaujiet tās avotam iespīdēt acis.

Pavelciet slēdža mēlīti, lai ieslēgtu lampu. Kamēr slēdža mēlīte ir nospiesta, lampa ir ieslēgta. Apmēram 10 sekundes pēc slēdža mēlītes atlaišanas lampa izslēdzas.

PIEZĪME: Ar sausu lupatīņu notīriet netīrumus no lampas lēcas. Izvairieties saskrāpēt lampas lēcu, jo tādējādi tiek samazināts apgaismojums.

Griešanās virziena pārslēdzēja darbība

► **Att.6:** 1. Griešanās virziena pārslēdzēja svira

⚠UZMANĪBU: Pirms sākat strādāt, vienmēr pārbaudiet griešanās virzienu.

⚠UZMANĪBU: Izmantojiet griešanās virziena pārslēdzēju tikai pēc darbarīka pilnīgas apstāšanās. Griešanās virziena maiņa pirms darbarīka pilnīgas apstāšanās var to sabojāt.

⚠UZMANĪBU: Kamēr darbarīks netiek izmantots, vienmēr uzstādiet griešanās virziena pārslēdzēja sviru neitrālajā stāvoklī.

Šis darbarīks ir aprīkots ar pārslēdzēju, kas ļauj mainīt griešanās virzienu. Nospiediet griešanās virziena pārslēdzēja sviru no „A” puses rotācijai pulksteņrādītāju kustības virzienā vai no „B” puses rotācijai pretēji pulksteņrādītāju kustības virzienam.

Ja griešanās virziena pārlēdzēja svira atrodas neitrālajā stāvoklī, slēdža mēlīti nevar nospiest.

MONTĀŽA

⚠UZMANĪBU: Pirms darbarīka regulēšanas vai apkopes vienmēr pārliedzinieties, ka darbarīks ir izslēgts un akumulatora kasetne ir izņemta.

Skrūvgrieža uzgaļa/galatslēgas uzgaļa uzstādīšana vai noņemšana

► Att.7

Izmantojiet tikai skrūvgrieža uzgali/galatslēgas uzgali ar attēlā redzamo ievietojamu daļu. Neizmantojiet citu skrūvgrieža uzgali/uzgriežņa uzgali.

Darbarīkam ar seklu skrūvgrieža uzgaļa padziļinājumu

| | |
|-----------------------|---|
| A = 12 mm B = 9 mm | Izmantojiet tikai šāda veida skrūvgrieža uzgali. Ievērojiet 1. procedūru. (Piezīme) Uzgaļa daļa nav nepieciešama. |
|-----------------------|---|

Darbarīkam ar dziļu skrūvgrieža uzgaļa padziļinājumu

| | |
|------------------------|---|
| A = 17 mm B = 14 mm | Lai uzstādītu šādu veidu skrūvgrieža uzgaļus, izpildiet 1. procedūru. |
| A = 12 mm B = 9 mm | Lai uzstādītu šādu veidu skrūvgrieža uzgaļus, izpildiet 2. procedūru. (Piezīme) Uzgaļa uzstādīšanai nepieciešama uzgaļa daļa. |

1. darbība

Darbarīkam bez viena pieskāriena tipa uzmavas

► Att.8: 1. Skrūvgrieža uzgalis 2. Uzmava

Lai uzstādītu skrūvgrieža uzgali, velciet uzmavu bultiņas virzienā un ievietojiet skrūvgrieža uzgali uzmavā līdz galam.

Tad atlaidiet uzmavu, lai nostiprinātu skrūvgrieža uzgali.

Darbarīkam ar viena pieskāriena tipa uzmavu

Lai ievietotu skrūvgrieža uzgali, ievietojiet to uzmavā līdz galam.

2. darbība

Papildus 1. darbībai uzgaļa daļa jāievieto uzmavā ar tās smailo galu vērstu uz iekšu.

► Att.9: 1. Skrūvgrieža uzgalis 2. Skrūves daļa 3. Uzmava

Lai noņemtu skrūvgrieža uzgali, velciet uzmavu bultiņas virzienā un izvelciet skrūvgrieža uzgali.

PIEZĪME: Ja skrūvgrieža uzgalis nav pietiekami dziļi ievietots uzmavā, tā neatgriezīsies savā sākotnējā stāvoklī, un skrūvgrieža uzgalis netiks nostiprināts. Šajā gadījumā mēģiniet vēlreiz ievietot uzgali atbilstoši iepriekš minētajām instrukcijām.

PIEZĪME: Ja skrūvgrieža uzgali ir grūti ievietot, pavelciet uzmavu un līdz galam ievietojiet uzgali uzmavā.

PIEZĪME: Pēc skrūvgrieža uzgaļa ievietošanas pārliedzinieties, ka tas ir cieši nostiprināts. Ja tas iznāk ārā, neizmantojiet to.

Āķa uzstādīšana

► Att.10: 1. Rieva 2. Āķis 3. Skrūve

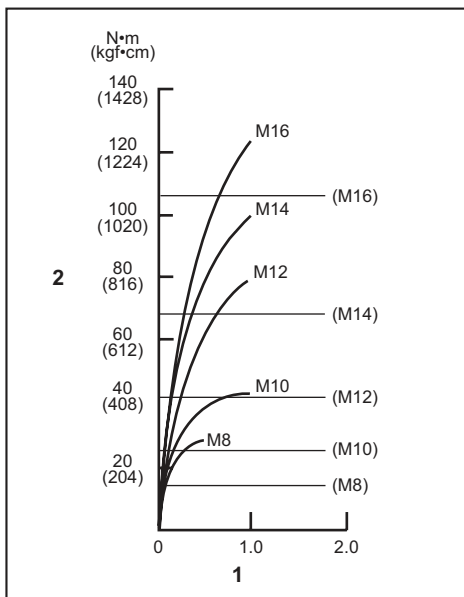
Āķis ir noderīgs, ja darbarīks uz kādu laiku ir jāpakar. To var uzstādīt jebkurā darbarīka pusē. Lai uzstādītu āķi, ievietojiet to riēvā jebkurā darbarīka korpusa pusē, un tad ar skrūvi pieskrūvējiet. Lai to izņemtu, atlaidiet skrūvi un izņemiet.

EKSPLUATĀCIJA

► Att.11

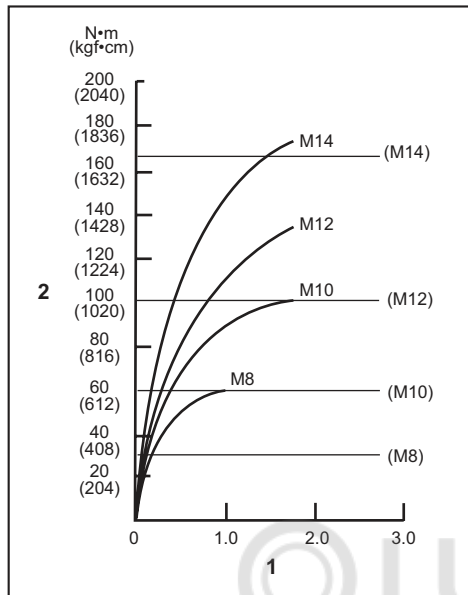
Pareizais stiprinājuma griezes moments var atšķirties atkarībā no skrūves/bultskrūves veida vai lieluma, nostiprināmā apstrādājamā materiāla u. c. Attiecība starp stiprinājuma griezes momentu un stiprinājuma laiku ir attēlota zīmējumos.

Pareizs standarta skrūves pievilksanas griezes moments



1. Pievilksanas laiks (sekundēs) 2. Pievilksanas griezes moments

Pareizs lielas izturības skrūves pievilkšanas griezes moments



1. Pievilkšanas laiks (sekundēs) 2. Pievilkšanas griezes moments

Cieši turiet darbarīku un ievietojiet skrūvgrieža uzgali skrūves galviņā. Uzspiediet uz darbarīka tik daudz, kamēr uzgālis neslīd nost no skrūves, ieslēdziet darbarīku, lai sāktu darbu.

IEVĒRĪBAI: Ja darba turpināšanai lietosit rezerves akumulatoru, neizmantojiet darbarīku vismaz 15 minūtes.

PIEZĪME: Lietojiet atbilstošu uzgali tai skrūvei/bultskrūves galviņai, kuru vēlaties izmantot.

PIEZĪME: Nostiprinot M8 vai mazāku skrūvi, spiediet slēdža mehānismu uzmanīgi, lai nesabojātu skrūvi.

PIEZĪME: Turiet darbarīku tieši pretī skrūvei.

PIEZĪME: Ja trieciena spēks ir par lielu vai arī skrūves pievilkšanas laiks ir lielāks nekā paredzēts, skrūve vai skrūvgrieža uzgālis var tikt pārmērīgi nospiegots, var tikt norauta vītne vai rasties bojājumi utt. Pirms darba sākšanas vienmēr veiciet izmēģinājumu, lai noteiktu atbilstošu skrūves pievilkšanas laiku.

Stiprinājuma griezes momentu ietekmē ļoti dažādi faktori, tostarp tālāk minētie. Pēc nostiprināšanas vienmēr pārbaudiet griezes momentu ar griezes momenta uzgriežņu atslēgu.

1. Kad akumulatora kasetne gandrīz pilnībā būs izlādējusies, spriegums kritīsies un stiprinājuma griezes moments mazināsies.
2. Skrūvgrieža uzgālis vai galatslēgas uzgālis Ja neizmantošiet pareizā izmēra skrūvgrieža vai galatslēgas uzgāli, mazināsies stiprinājuma griezes moments.

3. Bultskrūve
 - Pat ja griezes momenta koeficients atbilst bultskrūves kategorijai, pareizais stiprinājuma griezes moments atšķirsies atkarībā no bultskrūves diametra.
 - Pat ja bultskrūvju diametrs būs vienāds, pareizais stiprinājuma griezes moments atšķirsies atkarībā no griezes momenta koeficienta, bultskrūves kategorijas un tās garuma.
4. Darbarīka turēšanas veids vai nostiprināmais skrūvēšanas stāvokļa materiāls ietekmēs griezes momentu.
5. Darbinot darbarīku ar mazu ātrumu, mazināsies stiprinājuma griezes moments.

APKOPE

UZMANĪBU: Pirms darbarīka pārbaudes vai apkopes vienmēr pārliecinieties, ka darbarīks ir izslēgts un akumulatora kasetne ir izņemta.

IEVĒRĪBAI: Nekad neizmantojiet gazoliņu, benzīnu, atšķaidītāju, spirtu vai līdzīgus šķidrumus. Tas var radīt izbalēšanu, deformāciju vai plaisas.

Lai saglabātu izstrādājuma DROŠU un UZTICAMU darbību, remontdarbus, apkopi un regulēšanu uzticiet veikt tikai Makita pilnvarotam vai rūpnīcas apkopes centram, un vienmēr izmantojiet tikai Makita rezerves daļas.

PAPILDU PIEDERUMI

UZMANĪBU: Šādi piederumi un papildierīces tiek ieteiktas lietošanai ar šajā rokasgrāmatā aprakstīto Makita darbarīku. Izmantojot citus piederumus vai papildierīces, var tikt radīta trauma gūšanas bīstamība. Piederumu vai papildierīci izmantojiet tikai paredzētajam mērķim.

Ja jums vajadzīga palīdzība vai precīzāka informācija par šiem piederumiem, vērsieties savā tuvākajā Makita apkopes centrā.

- Skrūvgrieža uzgāli
- Galatslēgas uzgāli
- Uzgaļa daļa
- Āķis
- Plastmasas pārnēsāšanas soma
- Akumulatora aizsargs
- Darbarīka cilpa
- Makita oriģinālais akumulators un lādētājs

PIEZĪME: Daži sarakstā norādītie izstrādājumi var būt iekļauti instrumenta komplektācijā kā standarta piederumi. Tie dažādās valstīs var būt atšķirīgi.

SPECIFIKACIJOS

| Modelis: | | DTD153 | |
|-----------------------|----------------------------------|--|--|
| Fiksavimo pajėgumas | Mašininis sraigtas | 4 mm – 8 mm | |
| | Standartinis varžtas | 5 mm – 16 mm | |
| | Labai atsparus tempimui varžtas | 5 mm – 14 mm | |
| Be apkrovos | | 0 – 3 400 min ⁻¹ | |
| Smūgių per minutę | | 0 – 3 600 min ⁻¹ | |
| Bendrasis ilgis | | 126 mm | |
| Vardinė įtampa | | Nuol. sr. 18 V | |
| Akumulatoriaus kasetė | BL1815, BL1815N, BL1820, BL1820B | BL1830, BL1830B, BL1840, BL1840B, BL1850, BL1850B, BL1860B | |
| Grynasis svoris | 1,3 kg | 1,5 kg | |

- Atlikame tęstinius tyrimus ir nuolatos tobuliname savo gaminius, todėl čia pateikiamos specifikacijos gali būti keičiamos be įspėjimo.
- Įvairiose šalyse specifikacijos ir akumulatoriaus kasetė gali skirtis.
- Svoris su akumulatoriaus kasete pagal 2003-01 EPTA procedūrą

Numatytoji naudojimo paskirtis

Šis įrankis skirtas varžtams medienoje, metale ir plastmasėje sukti.

Triukšmas

Įprastas triukšmo A lygis, nustatytas pagal EN60745:
Garso slėgio lygis (L_{pA}): 96 dB (A)
Garso galios lygis (L_{WA}): 107 dB (A)
Paklaida (K): 3 dB (A)

ĮSPĖJIMAS: Dėvėkite ausų apsaugą.

Vibracija

Vibracijos bendroji vertė (triašio vektoriaus suma) nustatyta pagal EN60745 standartą:
Darbo režimas: įrankio didžiausios galios fiksuotųjų poveikį darantis suveržimas
Vibracijos emisija (a_h): 13,0 m/s²
Paklaida (K): 1,5 m/s²

PASTABA: Paskelbtasis vibracijos emisijos dydis nustatytas pagal standartinį testavimo metodą ir jį galima naudoti vienam įrankiui palyginti su kitu.

PASTABA: Paskelbtasis vibracijos emisijos dydis taip pat gali būti naudojamas preliminariai įvertinti vibracijos poveikį.

ĮSPĖJIMAS: Faktiškai naudojant elektrinį įrankį, keliamos vibracijos dydis gali skirtis nuo paskelbtojo dydžio, priklausomai nuo būdų, kuriais yra naudojamas šis įrankis.

ĮSPĖJIMAS: Siekdami apsaugoti operatorių, būtina įvertinkite saugos priemones, remdamiesi vibracijos poveikio įvertinimu esant faktinėms naudojimo sąlygoms (atsižvelgdami į visas darbo ciklo dalis, pavyzdžiui, ne tik kiek laiko įrankis veikia, bet ir kiek kartų jis yra išjungiamas bei kai jis veikia be apkrovų).

EB atitikties deklaracija

Tik Europos šalims

EB atitikties deklaracija yra pridedama kaip šio instrukcijų vadovo A priedas.

SAUGOS ĮSPĖJIMAI

Bendrieji įspėjimai dirbant elektriniais įrankiais

ĮSPĖJIMAS: Perskaitykite visus saugos įspėjimus ir visą instrukciją. Nesilaikydami toliau pateiktų įspėjimų ir instrukcijų galite patirti elektros smūgį, gaisrą ir (arba) sunkų sužeidimą.

Išsaugokite visus įspėjimus ir instrukcijas, kad galėtumėte jas peržiūrėti ateityje.

Terminas „elektrinis įrankis“ pateiktuose įspėjimuose reiškia į maitinimo tinklą jungiamą (laidinį) elektrinį įrankį arba akumulatoriaus maitinamą (belaidį) elektrinį įrankį.

Saugos įspėjimai dėl belaidžio smūginio suktuvo naudojimo

1. Atlikdami darbus, kurių metu tvirtinimo elementas galėtų užkliudyti nematomą laidą arba savo paties laidą, laikykite elektrinius įrankius už izoliuotų paviršių. Užkliudžius laidą, kuriuo teka srovė, įtampa gali būti perduota neizoliuotoms metalinėms elektrinio įrankio dalims ir operatorius gali gauti elektros smūgį.
2. Būtinai įsitikinkite, kad tvirtai stovite. Jei naudojate įrankį aukštai, įsitikinkite, ar apačioje nėra žmonių.
3. Tvirtai laikykite įrenginį.
4. Naudokite klausos apsaugines priemones.
5. Nelieskite antgalio arba ruošinio tuoj pat po darbo. Jie gali būti nepaprastai karšti ir nudeginti odą.
6. Laikykite rankas toliau nuo sukamųjų dalių.

SAUGOKITE ŠIAS INSTRUKCIJAS.

⚠ PERSPĖJIMAS: NELEISKITE, kad patogumas ir gaminio pažinimas (įgyjamas pakartotinai naudojant) susilpnintų griežtą saugos taisyklių, taikytinų šiam gaminiui, laikymąsi.

Dėl NETINKAMO NAUDOJIMO arba saugos taisyklių, kurios pateiktos šioje instrukcijoje, nesilaikymo galima rimtai susižeisti.

Svarbios saugos instrukcijos, taikomos akumuliatoriaus kasetei

1. Prieš naudodami akumuliatoriaus kasetę, perskaitykite visas instrukcijas ir perspėjimus ant (1) akumuliatorių įkroviklio, (2) akumuliatorių ir (3) akumuliatorių naudojančio gaminio.
2. Neardykite akumuliatoriaus kasetės.
3. Jei įrankio darbo laikas žymiai sutrumpėjo, nedelsdami nutraukite darbą su įrankiu. Tai gali kelti perkaitimo, nudegimų ar net sprogdimo pavojų.
4. Jei elektrolitas pateko į akis, plaukite jas tyru vandeniu ir nedelsdami kreipkitės į gydytoją. Gali kilti regėjimo praradimo pavojus.
5. Neužtrumpinkite akumuliatoriaus kasetės:
 - (1) Nelieskite kontaktų degiomis medžiagomis.
 - (2) Venkite laikyti akumuliatoriaus kasetę kartu su kitais metaliniais daiktais, pavyzdžiui, vinimis, monetomis ir pan.
 - (3) Saugokite akumuliatoriaus kasetę nuo vandens ir lietaus.Trumpasis jungimas akumuliatoriuje gali sukelti stiprią srovę, perkaitimą, galimus nudegimus ar net akumuliatoriaus gedimą.
6. Nelaikykite įrankio ir akumuliatoriaus kasetės vietoje, kur temperatūra gali pasiekti ar viršyti 50 °C.
7. Nedeginkite akumuliatoriaus kasetės, net jei yra stipriai pažeista ar visiškai susidėvėjusi. Ugnyje akumuliatoriaus kasetė gali sprogti.

8. Saugokite akumuliatorių nuo kritimo ir smūgių.
9. Nenaudokite pažeisto akumuliatoriaus.
10. Įdėtos ličio jonų akumuliatoriams taikomi Pavojingų prekių teisės akto reikalavimai. Komercinis transportas, pvz., trečiųjų šalių, prekių vežimo atstovų, turi laikytis specialaus reikalavimo ant pakuočių ir ženklavimo. Norėdami paruošti siųstiną prekę, pasitarkite su pavojingų medžiagų specialistu. Be to, laikykitės galimai išsamesnių nacionalinių reglamentų. Užklijuokite juosta arba padenkite atvirus kontaktus ir supakuokite akumuliatorių taip, kad ji pakuočioje nejudėtų.
11. Vadovaukitės vietos įstatymais dėl akumuliatorių išmetimo.

SAUGOKITE ŠIAS INSTRUKCIJAS.

⚠ PERSPĖJIMAS: Naudokite tik originalų „Makita“ akumuliatorių. Neoriginalaus „Makita“ arba pakeisto akumuliatoriaus naudojimas gali nulemti gaisrą, asmens sužalojimą ir pažeidimą. Tai taip pat panaikina „Makita“ suteikiamą „Makita“ įrankio ir įkroviklio garantiją.

Patarimai, ką daryti, kad akumuliatorius veiktų kuo ilgiau

1. Pakraukite akumuliatoriaus kasetę prieš jai visiškai išsikraunant. Visuomet nustokite naudoti įrankį ir pakraukite akumuliatoriaus kasetę, kai pastebite, kad įrankio galia sumažėjo.
2. Niekada nekraukite iki galo įkrautos akumuliatoriaus kasetės. Perkraunant trumpėja akumuliatoriaus eksploatacijos laikas.
3. Akumuliatoriaus kasetę kraukite esant kambario temperatūrai 10 - 40 °C. Prieš pradėdami krauti, leiskite įkautusiai akumuliatoriaus kasetei atvėsti.
4. Įkraukite akumuliatoriaus kasetę, jei jos nenaudojate ilgą laiką (ilgiau nei šešis mėnesius).

VEIKIMO APRAŠYMAS

⚠ PERSPĖJIMAS: Prieš pradėdami reguliuoti arba tikrinti įrankio veikimą, visuomet būtinai išjunkite įrankį ir išimkite akumuliatoriaus kasetę.

Akumuliatoriaus kasetės uždėjimas ir nuėmimas

⚠ PERSPĖJIMAS: Prieš įdėdami arba išimdami akumuliatoriaus kasetę, visada išjunkite įrankį.

⚠ PERSPĖJIMAS: Įdėdami arba išimdami akumuliatoriaus kasetę, tvirtai laikykite įrankį ir akumuliatoriaus kasetę. Jeigu įrankį ir akumuliatoriaus kasetę laikysite netvirtai, jie gali išslįsti iš jūsų rankų, todėl įrankis ir akumuliatoriaus kasetė gali būti sugadinti, o naudotojas sužalotas.

- **Pav.1:** 1. Raudonas indikatorius 2. Mygtukas
3. Akumulatoriaus kasetė

Jei norite išimti akumulatoriaus kasetę, ištraukite ją iš įrankio, stumdami mygtuką, esantį kasetės priekyje.

Jei norite įdėti akumulatoriaus kasetę, sulygiuokite liežuvelį ant akumulatoriaus kasetės su grioveliu korpuse ir įstumkite į jai skirtą vietą. Įdėkite iki galo, kol spragtelėdama užsifiksuos. Jeigu matote raudoną indikatorių viršutinėje mygtuko pusėje, ji nėra visiškai užfiksuota.

⚠ PERSPĖJIMAS: Akumulatoriaus kasetę visada įkiškite iki galo, kol nebematysite raudono indikatoriaus. Priešingu atveju ji gali atsitiktinai iškristi iš įrankio, sužeisti jus arba aplinkinius.

⚠ PERSPĖJIMAS: Nekiškite akumulatoriaus kasetės jėga. Jeigu kasetė sunkiai lenda, ją kišate netinkamai.

Likusios akumulatoriaus galios rodymas

Taikoma tik akumuliatorių kasėtoms, kurių modelio numerio gale yra „B“

- **Pav.2:** 1. Indikatorius lemputės 2. Tikrinimo mygtukas

Paspauskite akumulatoriaus kasetės tikrinimo mygtuką, kad būtų rodoma likusi akumulatoriaus energija. Maždaug trims sekundėms užsidegs indikatorių lemputės.

| Indikatorių lemputės | | | Likusi galia |
|----------------------|-----------|--------|--|
| Šviečia | Nešviečia | Blyksi | |
| | | | 75 - 100 % |
| | | | 50 - 75 % |
| | | | 25 - 50 % |
| | | | 0 - 25 % |
| | | | Įkraukite akumuliatorių. |
| | | | Galimai įvyko akumuliatoriaus veikimo triktis. |
| | | | |

PASTABA: Rodmuo gali šiek tiek skirtis nuo faktinės energijos lygio – tai priklauso nuo naudojimo sąlygų ir aplinkos temperatūros.

Įrankio / akumulatoriaus apsaugos sistema

Įrankyje įrengta įrankio / akumulatoriaus apsaugos sistema. Ši sistema automatiškai atjungia variklio maitinimą, kad įrankis ir akumulatorius ilgiau veiktų. Įrankis automatiškai išsijungs darbo metu esant vienai iš toliau nurodytų įrankio arba akumuliatorių darbo sąlygų:

Apsauga nuo perkrovos

Akumuliatorių naudojant taip, kad susidaro neįprastai aukšta srovė, nepateikiant jokios indikacijos, įrankis automatiškai sustabdomas. Tokiu atveju išjunkite įrankį ir nutraukite darbą, dėl kurio įrankis buvo perkrautas. Tada įjunkite įrankį, kad jis būtų paleistas iš naujo.

Apsauga nuo perkaitimo

Kai įrankis / akumulatorius perkaito, įrankis sustabdomas automatiškai. Tokiu atveju leiskite akumuliatoriui atvėsti, tada vėl įjunkite įrankį.

Apsauga nuo visiško išsekimo

Kai akumulatoriaus įkrovos lygis nepakankamas, įrankis automatiškai išsijungia. Tokiu atveju ištraukite akumuliatorių iš įrankio ir įkraukite jį.

PASTABA: Apsauga nuo perkrovos veiks tik naudojant akumuliatorių su žvaigždutės ženklu.

- **Pav.3:** 1. Žvaigždutės ženklas

Jungiklio veikimas

- **Pav.4:** 1. Gaidukas

⚠ PERSPĖJIMAS: Prieš montuodami akumulatoriaus kasetę įrankyje, visuomet patikrinkite, ar gaidukas tinkamai veikia ir atleistas grįžta į išjungimo padėtį „OFF“.

Jei norite paleisti įrankį, tiesiog patraukite jungiklį. Stipriau spaudžiant gaiduką, įrankio veikimo greitis didėja. Norėdami išjungti, atleiskite svirtinį gaiduką.

Priekinės lemputės uždegimas

- **Pav.5:** 1. Lemputė

⚠ PERSPĖJIMAS: Nežiūrėkite tiesiai į šviesą arba šviesos šaltinį.

Paspauskite gaiduką, kad užsidegtų lemputė. Lemputė švies tolygiai, kol spausite gaiduką. Atleidus jungiklio gaiduką, lemputė užgesa maždaug po 10 sekundžių.

PASTABA: Purvą nuo lempos objektyvo nuvalykite sausu skudurėliu. Būkite atsargūs, kad nesubraižytumėte lempos objektyvo, nes pablogės apšvietimas.

Atbulinės eigos jungimas

- **Pav.6:** 1. Atbulinės eigos svirtelė

⚠ PERSPĖJIMAS: Prieš naudodami visuomet patikrinkite sukimosi kryptį.

⚠ PERSPĖJIMAS: Atbulinės eigos jungiklį naudokite tik įrankiui visiškai sustojus. Jei keisite sukimosi kryptį prieš įrankiui sustojant, galite sugadinti įrankį.

⚠ PERSPĖJIMAS: Kai nenaudojate įrankio, visuomet nustatykite atbulinės eigos jungiklio svirtelę į neutralią padėtį.

Šis įrankis turi atbulinės eigos jungiklį sukimosi kryptčiai keisti. Nuspauskite atbulinės eigos jungiklio svirtelę iš A pusės, kad suktyši pagal laikrodžio rodyklę, arba iš B pusės, kad suktyši prieš laikrodžio rodyklę. Kai atbulinės eigos jungiklio svirtelė yra neutralioje padėtyje, jungiklio spausti negalima.

SURINKIMAS

▲ PERSPĖJIMAS: Prieš darydami ką nors įrankiui visada patikrinkite, ar įrenginys išjungtas, o akumuliatorių kasetė – nuimta.

Suktuvo galvutės / sukimo antgalio dėjimas ir išėmimas

► Pav.7

Naudokite tik tokią suktuvo galvutę / sukimo antgalį, kurio įkišama dalis yra tokia, kaip parodyta paveikslėlyje. Nenaudokite jokios kitos suktuvo galvutės / sukimo antgalio.

Įrankiui su negilia anga suktuvo galvutėms

| | |
|-----------------------|--|
| A = 12 mm B = 9 mm | Naudokite tik šių tipų suktuvo galvutes. Atlikite 1 procedūrą. (Pastaba) Suktuvo antgalis nereikalingas. |
|-----------------------|--|

Įrankiui su gilia anga suktuvo galvutėms

| | |
|------------------------|---|
| A = 17 mm B = 14 mm | Norėdami įtvirtinti šių tipų suktuvo galvutes, atlikite 1 procedūrą. |
| A = 12 mm B = 9 mm | Norėdami įtvirtinti šių tipų suktuvo galvutes, atlikite 2 procedūrą. (Pastaba) Tvirtinant galvutę suktuvo antgalis reikalingas. |

1 procedūra

Įrankiui, kuris neturi greito paleidimo įvorės

► **Pav.8:** 1. Suktuvo galvutė 2. Įvorė

Norėdami įstatyti suktuvo galvutę, stumkite įvorę rodyklės kryptimi ir kiškite į ją suktuvo galvutę tiek, kiek ji lenda.

Tada atleiskite įvorę, kad galvutė užsifikuotų.

Įrankiui, kuris turi greito paleidimo įvorę

Norėdami įdėti gražto galvutę, kuo labiau kiškite ją į įvorę.

2 procedūra

Atlikdami 1 procedūrą, įkiškite gražtą į įvorę taip, kad smailas galas būtų nukreiptas į vidų.

► **Pav.9:** 1. Suktuvo galvutė 2. Suktuvo antgalis 3. Įvorė

Norėdami ištraukti suktuvo galvutę, traukite įvorę rodyklės kryptimi ir ištraukite galvutę.

PASTABA: Jeigu suktuvo galvutės neįkiškite į įvorę iki galo, įvorė nesugrįš į pradinę padėtį ir galvutė neužsifikuos. Tokiu atveju dar kartą pabandykite įkišti galvutę, laikydamiesi anksčiau išdėstytų nurodymų.

PASTABA: Kai sunku įdėti gražto galvutę, paspauskite įvorę ir į ją kuo labiau įkiškite gražto galvutę.

PASTABA: Įdėję galvutę, įsitinkinkite, ar ji tvirtai pritvirtinta. Jei ji iškrenta, nenaudokite jos.

Kabliuko montavimas

► **Pav.10:** 1. Griovelis 2. Kablys 3. Varžtas

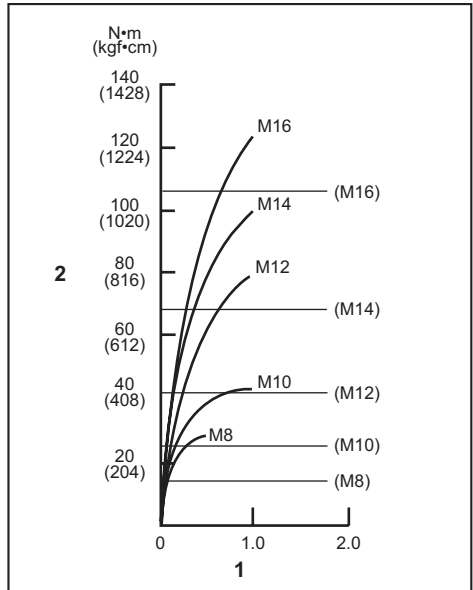
Kablys yra patogus, kai norite trumpam pakabinti įrankį. Jį galima uždėti bet kurioje įrankio pusėje. Norėdami sumontuoti kabli, įkiškite jį į bet kurioje įrankio korpuso pusėje esantį griovelį, po to priveržkite jį varžtu. Norėdami kabli nuimti, atsukite varžtą ir nuimkite jį.

NAUDOJIMAS

► **Pav.11**

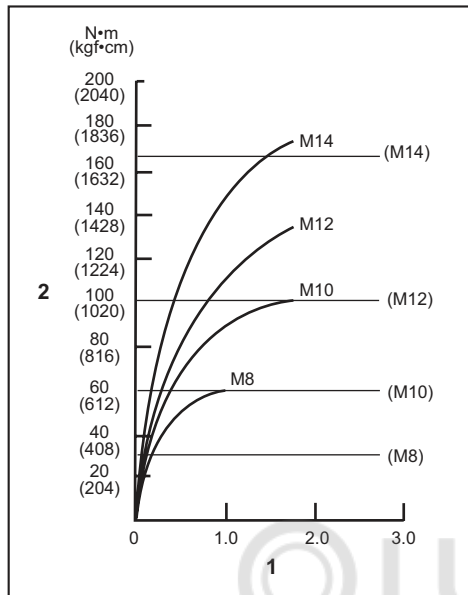
Tinkamas veržimo sukimo momentas kinta priklausomai nuo varžto / sraigto rūšies ir dydžio, ruošinio, į kurį jis įsukamas, medžiagos ir t. t. Veržimo sukimo momento ir veržimo laiko santykis parodytas paveikslėliuose.

Tinkamas standartinio varžto užveržimo sukimo momentas



1. Užveržimo laikas (sekundėmis) 2. Užveržimo sukimo momentas

Tinkamas labai atsparus tempimui varžto užveržimo sukimo momentas



1. Užveržimo laikas (sekundėmis) 2. Užveržimo sukimo momentas

Tvirtai laikydami įrankį, įkiškite sukimo antgalio galiuką į varžto galvutę. Spauskite įrankį į priekį tiek, kad suktuvo galvutė nenuslystų nuo varžto galvutės ir įjunkite įrankį.

PASTABA: Jeigu norite tęsti darbą, naudodami atsarginį akumuliatorių, palaukite bent 15 min., kol įrankis atvės.

PASTABA: Naudokite tinkamą sraigto / varžto galvutei gražtą.

PASTABA: Verždami M8 arba mažesnę varžtą, atsargiai spauskite gaiduką, kad nesugadintumėte varžto.

PASTABA: Įrankis turi būti nukreiptas tiesiai į varžtą.

PASTABA: Jeigu smūgio jėga yra per stipri arba veršite varžtą ilgiau, nei parodyta paveikslėliuose, varžtas arba pavaros mova gali būti persukta, perveržta, sugadinta ir pan. Prieš pradėdami darbą, visuomet atlikite bandomąjį veržimą, kad nustatytumėte tinkamą varžto veržimo laiką.

Veržimo sukimo momentui įtaką daro daugelis faktorių, įskaitant toliau nurodytus. Užveržę varžtą, visada dinamometrinio raktu patikrinkite sukimo momentą.

1. Kai akumulatoriaus kasetė beveik visai išsikrauna, sumažėja įtampa ir veržimo sukimo momentas sumažėja.
2. Suktuvo galvutė arba sukimo antgalis. Naudojant netinkamo dydžio suktuvo galvutę arba sukimo antgalį, sumažėja veržimo sukimo momentas.

3. Varžtas

- Netgi tada, kai sukimo momento koeficientas atitinka varžto kategoriją, tinkamas veržimo sukimo momentas skiriasi priklausomai nuo varžto skersmens.
 - Netgi tada, kai varžtų skersmuo toks pat, tinkamas veržimo sukimo momentas skiriasi, tai priklausomai nuo sukimo momento koeficiento, varžto kategorijos ir varžto ilgio.
4. Sukimo momentui įtaką daro įrankio laikymo būdas arba gręžiamos medžiagos, kurią reikia suveržti varžtais, padėtis.
 5. Dirbant su įrankiu mažu greičiu, sumažės veržimo sukimo momentas.

TECHNINĖ PRIEŽIŪRA

⚠PERSPĖJIMAS: Visuomet įsitikinkite, ar įrankis yra išjungtas ir akumulatoriaus kasetė yra nuimta prieš atlikdami apžiūrą ir priežiūrą.

PASTABA: Niekada nenaudokite gazolino, benzino, tirpiklio, spirito arba panašių medžiagų. Gali atsirasti išblukimų, deformacijų arba įtrūkimų.

Kad gaminyt būtų SAUGUS ir PATIKIMAS, jį taisyti, apžiūrėti ar vykdyti bet kokią kitą priežiūrą ar derinimą turi įgaliotasis kompanijos „Makita“ techninės priežiūros centras; reikia naudoti tik kompanijos „Makita“ pagamintas atsargines dalis.

PASIRENKAMI PRIEDAI

⚠PERSPĖJIMAS: Šiuos papildomus priedus arba įtaisus rekomenduojama naudoti su šioje instrukcijoje nurodytu „Makita“ bendrovės įrankiu. Naudojant bet kokius kitus papildomus priedus arba įtaisus, gali kilti pavojus sužeisti žmones. Naudokite tik nurodytam tikslui skirtus papildomus priedus arba įtaisus.

Jeigu norite daugiau sužinoti apie tuos priedus, kreipkitės į artimiausią „Makita“ techninės priežiūros centrą.

- Suktuvo galvutės
- Sukimo antgaliai
- Gražtas
- Kablys
- Plastikinis dėklas
- Akumulatoriaus saugiklis
- Įrankio pakaba
- Originalus „Makita“ akumuliatorius ir įkroviklis

PASTABA: Kai kurie sąraše esantys priedai gali būti pateikti įrankio pakuotėje kaip standartiniai priedai. Jie įvairiose šalyse gali skirtis.

TEHNILISED ANDMED

| Mudel: | | DTD153 |
|---------------------|-----------------------|--|
| Kinnitamisvõimekus | Metallikruvi | 4 mm - 8 mm |
| | Standardpolt | 5 mm - 16 mm |
| | Suure tõmbejõuga polt | 5 mm - 14 mm |
| Koormuseta kiirus | | 0 - 3 400 min ⁻¹ |
| Löökide arv minutis | | 0 - 3 600 min ⁻¹ |
| Üldpikkus | | 126 mm |
| Nimipinge | | Alalisvool 18 V |
| Akukassett | | BL1815, BL1815N, BL1820, BL1820B, BL1830, BL1830B, BL1840, BL1840B, BL1850, BL1850B, BL1860B |
| Netokaal | | 1,3 kg |
| | | 1,5 kg |

- Meie pideva uuringu- ja arendusprogrammi tõttu võidakse tehnilisi andmeid muuta ilma sellest ette teatamata.
- Tehnilised andmed ja akukassett võivad riigiti erineda.
- Kaal koos akukassetiga, EPTA-protseduuri 01/2003 kohaselt

Kavandatud kasutus

Tööriist on ette nähtud kruvide kinnitamiseks puidust, metallist ja plastist materjalidesse.

Müra

Tüüpiline A-korrigeeritud müratase, määratud standardi EN60745 kohaselt:

Helirõhutase (L_{pA}): 96 dB (A)

Helivõimsuse tase (L_{WA}): 107 dB (A)

Määramatus (K): 3 dB (A)

⚠ HOIATUS: Kasutage kõrvakaitsmeid.

Vibratsioon

Vibratsiooni koguväärtus (kolmeteljeliste vektorite summa) määratud standardi EN60745 kohaselt:

Töörežiim: fiksaatorite hetkinnitus tööriista täisvõimsuse korral

Vibratsiooniheide (a_h): 13,0 m/s²

Määramatus (K): 1,5 m/s²

MÄRKUS: Deklareeritud vibratsiooniheite väärtus on mõõdetud kooskõlas standardse testimismeetodiga ning seda võib kasutada ühe seadme võrdlemiseks teisega.

MÄRKUS: Deklareeritud vibratsiooniheite väärtust võib kasutada ka mürataseme esmaseks hindamiseks.

⚠ HOIATUS: Vibratsioonitase võib elektritööriista tegelikkuses kasutamise ajal erineda deklareeritud väärtusest olenevalt tööriista kasutamise viisidest.

⚠ HOIATUS: Rakendage operaatori kaitsmiseks kindlasti piisavaid ohutusabinõusid, mis põhinevad hinnangulisel müratasemel tegelikus töösituatsioonis (võttes arvesse tööperioodi kõiki osasid, nagu näiteks korrad, kui seade lülitatakse välja ja seade töötab tühikäigul, lisaks tööajale).

EÜ vastavusdeklaratsioon

Ainult Euroopa riikide puhul

EÜ vastavusdeklaratsioon sisaldub käesoleva juhendi Lisas A.

OHUTUSHOIATUSED

Üldised elektritööriistade ohutushoiatused

⚠ HOIATUS: Lugege läbi kõik ohutushoiatused ja juhtnõupid. Hoiatuste ja juhtnõupid mittejärgmine võib põhjustada elektrilööki, tulekahju ja/või tõsisid vigastusi.

Hoidke edaspidisteks viide- teks alles kõik hoiatused ja juhtnõupid.

Hoiatustes kasutatud termini „elektritööriist“ all peetakse silmas elektriga töötavaid (juhtmega) elektritööriistu või akuga töötavaid (juhtmeta) elektritööriistu.

Juhtmeta löökkruvikeeraja ohutusnõuded

1. Hoidke elektritööriista isoleeritud haardepindadest, kui töötate kohas, kus kinnitusvahend võib sattuda kokkupuutesse varjatud elektrijuhtmetega. Kinnitusdetaili kokkupuude elektrijuhtmega võib pingestada tööriista avatud metallosad, mille tulemusel võib operaator saada elektrilöögi.
2. Veenduge alati, et teie jalgealune oleks kindel. Kui töötate kõrguses, siis jälgige, et teist allpool ei viibiks inimesi.
3. Hoidke tööriistast kindlalt kinni.
4. Kasutage kuulmiskaitsmeid.
5. Ärge puudutage otsakut ega töödeldavat detaili vahetult pärast töö tegemist. Need võib-ivad olla väga kuumad ja põletada teie nahka.
6. Hoidke käed eemal pöörlevatest osadest.

HOIDKE JUHEND ALLES.

⚠️HOIATUS: ÄRGE UNUSTAGE järgida toote ohutusnõudeid mugavuse või toote (korduskasutamise saavutatud) hea tundmise tõttu.

VALE KASUTUS või kasutusjuhendi ohutuseeskirjade eiramine võib põhjustada tervisekahjustusi.

Akukassetiga seotud olulised ohutusjuhised

1. Enne akukasseti kasutamist lugege (1) akulaadidaja, (2) akul ja (3) seadmel olevad juhtnõuad ja hoiatused läbi.
2. Ärge võtke akukasseti lahti.
3. Kui tööaeg järsult lüheneb, siis lõpetage kohe kasutamine. Edasise kasutamise tulemuseks võib olla ülekuumenemisoht, võimalikud põletused või isegi plahvatus.
4. Kui elektrolüüti satub silma, siis loputage silma puhta veega ja pöörduge koheselt arsti poole. Selline õnnetus võib põhjustada pimedaksjäämist.
5. Ärge tekitage akukassetis lühis:
 - (1) Ärge puutuge klemme elektrijuhtidega.
 - (2) Ärge hoidke akukasseti tööriistakastis koos metallesemetega, nagu naelad, mündid jne.
 - (3) Ärge tehke akukasseti märjaks ega jätke seda vihma kätte.

Aku lühis võib põhjustada tugevat elektrivoolu, ülekuumenemist, põletusi ning ka seadet tõsiselt kahjustada.

6. Ärge hoidke tööriista ja akukasseti kohtades, kus temperatuur võib tõusta üle 50 °C.
7. Ärge põletage akukasseti isegi siis, kui see on saanud tõsiselt vigastada või on täiesti kuldunud. Akukassetit võib tules plahvatada.
8. Olge ettevaatlik, ärge laske akul maha kukkuda ja vältige lööke.
9. Ärge kasutage kahjustatud akut.
10. Sisalduvatele liitium-ioonakudele võivad kohalduda ohtlike kaupade õigusaktide nõuded.

Kaubanduslikul transportimisel, näiteks kolmandate poolte või transpordiettevõtete poolt, tuleb järgida pakendil ja sihtidel toodud erinõudeid.

Transportimiseks ettevalmistamisel on vajalik pidada nõu ohtliku materjali ekspertidega. Samuti tuleb järgida võimalike riiklike regulatsioonide üksikasjalikumaid nõudeid.

Katke teibiga või varjake avatud kontaktid ja pakendage aku selliselt, et see ei saaks pakendis liikuda.

11. Järgige kasutuskõlbatuks muutunud aku käitlemisel kohalikke eeskirju.

HOIDKE JUHEND ALLES.

⚠️ETTEVAATUST: Kasutage ainult Makita originaalakusid. Mitte Makita originaalakude või muudetud akude kasutamine võib põhjustada akude süttimise, kehavigastuse ja kahjustuse. Samuti muudab see kehtetuks Makita tööriista ja laadija Makita garantii.

Vihjeid aku maksimaalse kasutaja tagamise kohta

1. Laadige akukasseti enne selle täielikku tühjenemist. Või märkate, et tööriist töötab väiksema võimsusega, peatage töö ja laadige akukasseti.
2. Ärge laadige täielikult laetud akukasseti. Ülelaadimine lühendab akude kasutusiga.
3. Laadige akukasseti toatemperatuuril 10 °C - 40 °C. Enne laadimist laske kuumenenud akukassetil maha jahtuda.
4. Kui te ei kasuta akukasseti kauem kui kuus kuud, laadige see.

FUNKTSIONAALNE KIRJELDUS

⚠️ETTEVAATUST: Kandke alati hoolt selle eest, et tööriist oleks enne reguleerimist ja kontrollimist välja lülitatud ja akukasset eemaldatud.

Akukasseti paigaldamine või eemaldamine

⚠️ETTEVAATUST: Lülitage tööriist alati enne akukasseti paigaldamist või eemaldamist välja.

⚠️ETTEVAATUST: Akukasseti paigaldamisel või eemaldamisel tuleb tööriista ja akukasseti kindlalt paigal hoida. Kui tööriista ja akukasseti ei hoita kindlalt paigal, võivad need käest libiseda ning kahjustada tööriista ja akukasseti või põhjustada kehavigastusi.

► Joon.1: 1. Punane näidik 2. Nupp 3. Akukasseti

Akukasseti eemaldamiseks libistage see tööriista küljest lahti, vajutades kasseti esiküljel paiknevat nuppu alla.

Akukasseti paigaldamiseks joondage akukasseti keel korpuse soonega ja libistage kassett oma kohale. Paigaldage akuadapter alati nii kaugele, et see lukustuks klõpsatusega oma kohale. Kui näete nupu ülaosas punast osa, pole kassett täielikult lukustunud.

⚠ETTEVAATUST: Paigaldage akukassett alati täies ulatuses nii, et punast osa ei jääks näha. Muidu võib adapter juhuslikult tööriistast välja kukkuda ning põhjustada teile või läheduses viibivatele isikutele vigastusi.











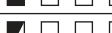
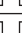

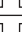
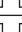

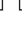
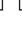
⚠ETTEVAATUST: Ärge rakendage akukasseti paigaldamisel jõudu. Kui kassett ei lähe kergesti sisse, pole see õigesti paigaldatud.

Aku jääkmahutavuse näit

Ainult akukassetid, mille mudelinumber lõpeb tähega „B”

► **Joon.2:** 1. Märgulambid 2. Kontrollimise nupp

Akukasseti järelejäänud mahutavuse kontrollimiseks vajutage kontrollimise nuppu. Märgulambid süttivad mõneks sekundiks.

| Märgulambid | | | Jääkmahutavus |
|---|---|--|-----------------------|
|  Põleb |  Ei põle |  Vilgub | |
|  | | | 75 - 100% |
|  |  | | 50 - 75% |
|  |  | | 25 - 50% |
|  |  | | 0 - 25% |
|  |  | | Laadige akut. |
|  |  |  | Akul võib olla tõrge. |
|  |  |  | |

MÄRKUS: Näidatud mahutavus võib veidi erineda tegelikust mahutavusest olenevalt kasutustingimustest ja ümbritseva keskkonna temperatuurist.

Tööriista/aku kaitsesüsteem

Tööriist on varustatud tööriista või aku kaitsesüsteemiga. Süsteem lülitab mootori automaatselt välja, et pikendada tööriista ja aku tööiga. Tööriist seiskub käitamise ajal automaatselt, kui tööriista või aku kohta kehtib üks järgmistest tingimustest.

Ülekoormuskaitse

Kui akut kasutatakse viisil, mis nõuab akust tavatult palju voolu, seiskub tööriist ilma mingi näiduta. Sellises olukorras lülitage tööriist välja ja lõpetage tegevus, mis põhjustas tööriista ülekoormuse. Seejärel lülitage tööriist taaskäivitamiseks uuesti sisse.

Ülekuumenemiskaitse

Kui tööriist/aku on ülekuumenenud, seiskub tööriist automaatselt. Enne tööriista uuesti sisselülitamist laske aku maha jahtuda.

Ülelaadimiskaitse

Kui aku laetuse tase ei ole piisav, seiskub tööriist automaatselt. Sellisel juhul eemaldage aku seadmest ja laadige täis.

MÄRKUS: Ülekoormuskaitse töötab ainult tähemärgisega akudel.

► **Joon.3:** 1. Tähemärgis

Lüliti funktsioneerimine

► **Joon.4:** 1. Lüliti päästik

⚠ETTEVAATUST: Kontrollige alati enne akukasseti tööriista külge paigaldamist, kas lüliti päästik funktsioneerib nõuetekohaselt ja liigub lahtlaskmisel tagasi väljalülitatud asendisse.

Tööriista tööle panemiseks on vaja lihtsalt lüliti päästikut tõmmata. Tööriista kiirus kasvab siis, kui suurendate survet lüliti päästikule. Vabastage lüliti päästik tööriista seiskamiseks.

Eesmise lambi süütamine

► **Joon.5:** 1. Lamp

⚠ETTEVAATUST: Ärge vaadake otse valgusse ega valgusallikat.

Lambi süütamiseks tõmmake lüliti päästikut. Lamp põleb sel ajal, kui tõmmatakse lüliti päästikut. Lamp kustub umbes 10 sekundit pärast lüliti päästiku vabastamist.

MÄRKUS: Pühkige lamp kuiva lapiga puhtaks. Olge seda tehes ettevaatlik, et lambi laätsesse mitte kriimustada, sest muidu võib valgustus väheneda.

Suunamuutmise lüliti töötamisviis

► **Joon.6:** 1. Suunamuutmise lüliti hoob

⚠ETTEVAATUST: Enne töö alustamist kontrollige alati pöörlemise suunda.

⚠ETTEVAATUST: Kasutage suunamuutmislüliti alles pärast tööriista täielikku seiskumist. Enne tööriista seiskumist suuna muutmine võib tööriista kahjustada.

⚠ETTEVAATUST: Kui tööriista ei kasutata, peab suunamuutmislüliti hoob olema alati neutraalses asendis.

Sellel tööriistal on suunamuutmise lüliti, millega saab muuta pöörlemise suunda. Suruge suunamuutmislüliti hoob A-küljel alla – tööriist pöörleb päripäeva, vastupäeva pöörlemiseks suruge see alla B-küljel. Kui suunamuutmislüliti hoob on neutraalses asendis, siis lüliti päästikut tõmmata ei saa.

KOKKUPANEK

⚠ETTEVAATUST: Kandke alati hoolt selle eest, et tööriist oleks enne igasuguseid hooldustöid välja lülitatud ja akukassett eemaldatud.

Kruvikeeraja otsaku/sokliotsaku paigaldamine või eemaldamine

► Joon.7

Kasutage ainult otsakut/sokliotsakut, mille sisestav osa on joonisel näidatud. Ärge kasutage teistsuguseid kruvikeeraja otsakuid / sokliotsakuid.

Madala kruvikeeraja otsaku avaga seadmele

| | |
|-----------------------|---|
| A = 12 mm B = 9 mm | Kasutage ainult seda tüüpi kruvikeeraja otsakut. Järgige toimingut 1. (Märkus) Otsakuhoidik ei ole vajalik. |
|-----------------------|---|

Sügava kruvikeeraja otsaku avaga seadmele

| | |
|------------------------|--|
| A = 17 mm B = 14 mm | Seda tüüpi kruvikeeraja otsakute paigaldamiseks järgige toimingut 1. |
| A = 12 mm B = 9 mm | Seda tüüpi kruvikeeraja otsakute paigaldamiseks järgige toimingut 2. (Märkus) Otsaku paigaldamiseks on vajalik otsakuhoidik. |

Protseduur 1

Kiirhülsita mudelile

► Joon.8: 1. Kruvikeeraja otsak 2. Hüls

Kruvikeeraja otsaku paigaldamiseks tõmmake hülsi noole suunas ja torgake kruvikeeraja otsak võimalikult sügavale hülsis.

Seejärel vabastage hüls kruvikeeraja otsaku kinnitamiseks.

Kiirhülsiga mudelile

Kruvikeerajaotsaku paigaldamiseks sisestage see võimalikult sügavale hülsis.

Protseduur 2

Lisaks **protseduurile 1** tuleb otsak sisestada hülsi nii, et selle terav ots oleks suunaga sissepoole.

► Joon.9: 1. Kruvikeeraja otsak 2. Otsakuhoidik 3. Hüls

Kruvikeeraja otsaku eemaldamiseks tõmmake hülsi noole suunas ja tõmmake kruvikeeraja otsak välja.

MÄRKUS: Kui kruvikeeraja otsakut ei panda piisavalt sügavale hülsis, ei pöördu hüls tagasi algasendisse ja kruvikeeraja otsak ei fikseeru. Sel juhul proovige otsakut eespool toodud suuniste kohaselt uuesti paigaldada.

MÄRKUS: Kui kruvikeerajaotsaku sisestamine on keeruline, tõmmake hülsi väljapoole ning sisestage otsak võimalikult kaugemale hülsi sisse.

MÄRKUS: Pärast kruvikeeraja otsaku sisestamist kontrollige, kas see on tugevalt kinni. Kui see ei tule enam välja, ärge kasutage seda.

Konksu paigaldamine

► Joon.10: 1. Soon 2. Konks 3. Kruvi

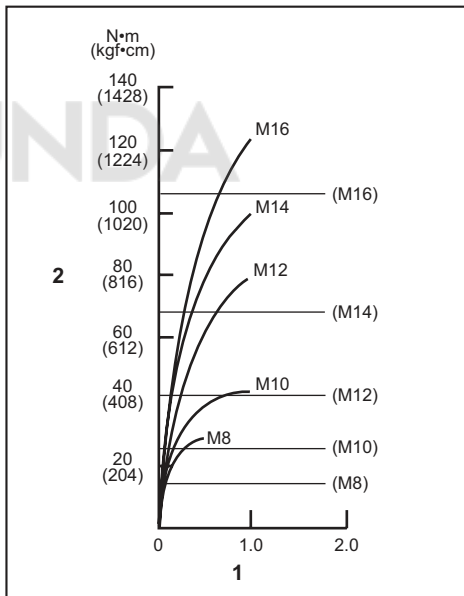
Konksu abil saate tööriista ajutiselt kuhugi riputada. Selle võib paigaldada tööriista ükskõik kummale küljele. Konksu paigaldamiseks torgake see tööriista korpuse ükskõik kummal küljel olevasse õnarusse ja kinnitage kruviga. Eemaldamiseks lödvendage kruvi ja võtke see siis välja.

TÖÖRIISTA KASUTAMINE

► Joon.11

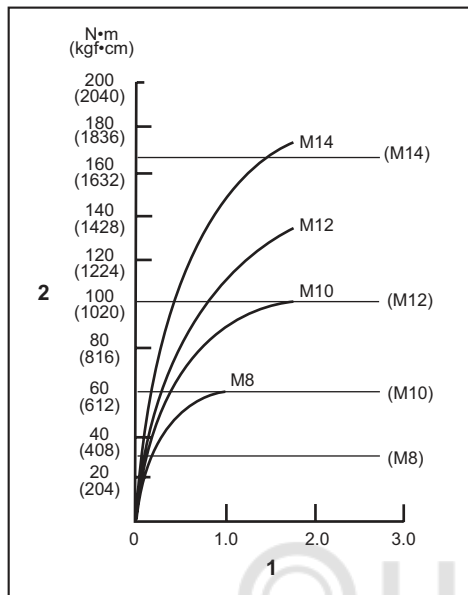
Õige väändemoment võib keeramisel varieeruda olenevalt kruvi/poldi tüübist ja suuruselt, kinnitatava detaili materjalist jms. Väändemomendi ja kinnitusa suhe on toodud joonistel.

Sobiv väändemoment standardpoldile



1. Kinnitamisaaeg (sekund) 2. Väändemoment

Sobiv väändemoment suure tõmbejõuga poldide



1. Kinnitamisaja (sekund) 2. Väändemoment

Hoidke tööriista kindlas haardes ja pange kruvikeeraja otsaku ots kruvipeas olevasse soonde. Suruge tööriista ette, et otsak ei libiseks kruvi pealt maha, ning lülitage tööriist töö alustamiseks sisse.

TÄHELEPANU: Kui kasutate töö jätkamiseks varuakut, laske tööriistal vähemalt 15 minutit puhata.

MÄRKUS: Kasutage keeratava kruviga/poldiga sobivat õiget otsakut.

MÄRKUS: M8 või väiksema kruvi kinnitamisel reguleerige päästiküliti abil hoolikalt rõhku, et kruvi ei kahjustuks.

MÄRKUS: Suunake tööriist otse kruvile.

MÄRKUS: Kui löögijõud on liiga tugev või kui keerate kruvi kauem kui joonistal näidatud, võib tagajärjeks olla kruvi või kruvikeeraja otsaku ülepingutamine, kahjustus vms. Enne töö alustamist tehke alati proovikeeramine, et teha kindlaks kruvi jaoks sobiv keeramisaja.

Kinnikeeramiseks kuluvat aega mõjutavad mitmesugused tegurid, sealhulgas järgmised. Pärast kinnikeeramist kontrollige dünamomeetrilise võtmega alati väändemomenti.

1. Kui akukassett on peaaegu tühi, toimub pingelangus ja väändemoment väheneb.
2. Sokli- või kruvikeeraja otsak
Vale suurusega Sokli- või kruvikeeraja otsaku kasutamine põhjustab väändemomendi vähenemist.
3. Polt
 - Isegi kui väändekoefitsient ja poldi klass on samad, sõltub õige väändemoment keeramisel poldi läbimõõdust.

- Isegi kui poltide läbimõõdud on samad, sõltub õige väändemoment keeramisel väändekoefitsiendist, poldi klassist ja pikkusest.
4. Tööriista või materjali hoidmise viis ja sisseminekuruur mõjutavad väändemomenti.
 5. Tööriista kasutamine väikesel kiirusel põhjustab väändemomendi vähenemise.

HOOLDUS

ÄTTEVAATUST: Enne kontrolli- või hooldustoimingute tegemist kandke alati hoolt selle eest, et tööriist oleks välja lülitatud ja akukassett korpuse küljest eemaldatud.

TÄHELEPANU: Ärge kunagi kasutage bensiini, vedeldit, alkoholi ega midagi muud sarnast. Selle tulemuseks võib olla luitumine, deformatsioon või pragunemine.

Toote OHUTUSE ja TÖÖKINDLUSE tagamiseks tuleb vajalikud remonttööd ning muud hooldus- ja reguleerimistööd lasta teha Makita volitatud teeninduskeskustes või tehase teeninduskeskustes. Alati tuleb kasutada Makita varuosi.

VALIKULISED TARVIKUD

ÄTTEVAATUST: Neid tarvikuid ja lisaseadiseid on soovitatav kasutada koos Makita tööriistaga, mille kasutamist selles kasutusjuhendis kirjeldatakse. Muude tarvikute ja lisaseadiste kasutamiseks kaasneb vigastada saamise oht. Kasutage tarvikuid ja lisaseadiseid ainult otstarbekohaselt.

Saate vajaduse korral kohalikust Makita teeninduskeskusest lisateavet nende tarvikute kohta.

- Kruvikeeraja otsakud
- Sokliga otsakud
- Otsakumoodul
- Konks
- Plastist kandekohver
- Akukaitse
- Tööriista riputi
- Makita algupärane aku ja laadija

MÄRKUS: Mõned nimekirjas loetletud tarvikud võivad kuuluda standardvarustusse ning need on lisatud tööriista pakendisse. Need võivad riigiti erineda.

ТЕХНИЧЕСКИЕ ХАРАКТЕРИСТИКИ

| | | |
|-----------------------------|-----------------------|--|
| Модель: | | DTD153 |
| Усилие затяжки | Мелкий крепежный винт | 4 - 8 мм |
| | Стандартный болт | 5 - 16 мм |
| | Высокопрочный болт | 5 - 14 мм |
| Число оборотов без нагрузки | | 0 - 3 400 мин ⁻¹ |
| Ударов в минуту | | 0 - 3 600 мин ⁻¹ |
| Общая длина | | 126 мм |
| Номинальное напряжение | | 18 В пост. тока |
| Блок аккумулятора | | BL1815, BL1815N, BL1820, BL1820B, BL1830, BL1830B, BL1840, BL1840B, BL1850, BL1850B, BL1860B |
| Масса нетто | | 1,3 кг 1,5 кг |

- Благодаря нашей постоянно действующей программе исследований и разработок указанные здесь технические характеристики могут быть изменены без предварительного уведомления.
- Технические характеристики и аккумуляторный блок могут отличаться в зависимости от страны.
- Масса (с аккумуляторным блоком) в соответствии с процедурой EPTA 01.2003

Назначение

Инструмент предназначен для закручивания шурупов в древесину, металл и пластмассу.

Шум

Типичный уровень взвешенного звукового давления (A), измеренный в соответствии с EN60745:
 Уровень звукового давления (L_{pA}): 96 дБ (A)
 Уровень звуковой мощности (L_{WA}): 107 дБ (A)
 Погрешность (K): 3 дБ (A)

⚠ОСТОРОЖНО: Используйте средства защиты слуха.

Вибрация

Суммарное значение вибрации (сумма векторов по трем осям), определенное в соответствии с EN60745:
 Рабочий режим: твердая затяжка крепежных деталей при максимальной мощности инструмента
 Распространение вибрации (a_{hV}): 13,0 м/с²
 Погрешность (K): 1,5 м/с²

ПРИМЕЧАНИЕ: Заявленное значение распространения вибрации измерено в соответствии со стандартной методикой испытаний и может быть использовано для сравнения инструментов.

ПРИМЕЧАНИЕ: Заявленное значение распространения вибрации можно также использовать для предварительных оценок воздействия.

⚠ОСТОРОЖНО: Распространение вибрации во время фактического использования электроинструмента может отличаться от заявленного значения в зависимости от способа применения инструмента.

⚠ОСТОРОЖНО: Обязательно определите меры безопасности для защиты оператора, основанные на оценке воздействия в реальных условиях использования (с учетом всех этапов рабочего цикла, таких как выключение инструмента, работа без нагрузки и включение).

Декларация о соответствии ЕС

Только для европейских стран

Декларация о соответствии ЕС включена в руководство по эксплуатации (Приложение А).

МЕРЫ БЕЗОПАСНОСТИ

Общие рекомендации по технике безопасности для электроинструментов

⚠ОСТОРОЖНО: Ознакомьтесь со всеми инструкциями и рекомендациями по технике безопасности. Невыполнение инструкций и рекомендаций может привести к поражению электротоком, пожару и/или тяжелым травмам.

Сохраните брошюру с инструкциями и рекомендациями для дальнейшего использования.

Термин "электроинструмент" в предупреждениях относится ко всему инструменту, работающему от сети (с проводом) или на аккумуляторах (без провода).

Меры безопасности при использовании аккумуляторного ударного шуруповерта

1. Если при выполнении работ существует риск контакта инструмента со скрытой электропроводкой, держите электроинструмент за специально предназначенные изолированные поверхности. Контакт с проводом под напряжением приведет к тому, что металлические детали инструмента также будут под напряжением, что приведет к поражению оператора электрическим током.
2. При выполнении работ всегда занимайте устойчивое положение. При использовании инструмента на высоте убедитесь в отсутствии людей внизу.
3. Крепко держите инструмент.
4. Обязательно используйте средства защиты слуха.
5. Не касайтесь головки инструмента или детали сразу после окончания работы. Они могут быть очень горячими и причинить ожог.
6. Руки должны находиться на расстоянии от вращающихся деталей.

СОХРАНИТЕ ДАННЫЕ ИНСТРУКЦИИ.

⚠ОСТОРОЖНО: НЕ ДОПУСКАЙТЕ, чтобы удобство или опыт эксплуатации данного устройства (полученный от многократного использования) доминировали над строгим соблюдением правил техники безопасности при обращении с этим устройством.

НЕПРАВИЛЬНОЕ ИСПОЛЬЗОВАНИЕ инструмента или несоблюдение правил техники безопасности, указанных в данном руководстве, может привести к тяжелой травме.

Важные правила техники безопасности для работы с аккумуляторным блоком

1. Перед использованием аккумуляторного блока прочитайте все инструкции и предупреждающие надписи на (1) зарядном устройстве, (2) аккумуляторном блоке и (3) инструменте, работающем от аккумуляторного блока.
2. Не разбирайте аккумуляторный блок.
3. Если время работы аккумуляторного блока значительно сократилось, немедленно прекратите работу. В противном случае, может возникнуть перегрев блока, что приведет к ожогам и даже к взрыву.

4. В случае попадания электролита в глаза промойте их обильным количеством чистой воды и немедленно обратитесь к врачу. Это может привести к потере зрения.
5. Не замыкайте контакты аккумуляторного блока между собой:

- (1) Не прикасайтесь к контактам какими-либо токопроводящими предметами.
- (2) Не храните аккумуляторный блок в контейнере вместе с другими металлическими предметами, такими как гвозди, монеты и т. п.
- (3) Не допускайте попадания на аккумуляторный блок воды или дождя.

Замыкание контактов аккумуляторного блока между собой может привести к возникновению большого тока, перегреву, возможным ожогам и даже поломке блока.

6. Не храните инструмент и аккумуляторный блок в местах, где температура может достигать или превышать 50 °C (122 °F).
7. Не бросайте аккумуляторный блок в огонь, даже если он сильно поврежден или полностью вышел из строя. Аккумуляторный блок может взорваться под действием огня.
8. Не роняйте и не ударяйте аккумуляторный блок.
9. Не используйте поврежденный аккумуляторный блок.
10. Входящие в комплект литий-ионные аккумуляторы должны эксплуатироваться в соответствии с требованиями законодательства об опасных товарах. При коммерческой транспортировке, например, третьей стороной или экспедитором, необходимо нанести на упаковку специальные предупреждения и маркировку. В процессе подготовки устройства к отправке обязательно проконсультируйтесь со специалистом по опасным материалам. Также соблюдайте местные требования и нормы. Они могут быть строже. Закройте или закрепите разомкнутые контакты и упакуйте аккумулятор так, чтобы он не перемещался по упаковке.
11. Выполняйте требования местного законодательства относительно утилизации аккумуляторного блока.

СОХРАНИТЕ ДАННЫЕ ИНСТРУКЦИИ.

⚠ВНИМАНИЕ: Используйте только фирменные аккумуляторные батареи Makita.

Использование аккумуляторных батарей, не произведенных Makita, или батарей, которые были подвергнуты модификациям, может привести к взрыву аккумулятора, пожару, травмам и повреждению имущества. Это также автоматически аннулирует гарантию Makita на инструмент и зарядное устройство Makita.

Советы по обеспечению максимального срока службы аккумулятора

1. Заряжайте блок аккумуляторов перед его полной разрядкой. Обязательно прекратите работу с инструментом и зарядите блок аккумуляторов, если вы заметили снижение мощности инструмента.
2. Никогда не подзаряжайте полностью заряженный блок аккумуляторов. Перезарядка сокращает срок службы аккумулятора.
3. Заряжайте блок аккумуляторов при комнатной температуре в 10 - 40 °C (50 - 104 °F). Перед зарядкой горячего блока аккумуляторов дайте ему остыть.
4. Зарядите ионно-литиевый аккумуляторный блок, если вы не будете пользоваться инструментом длительное время (более шести месяцев).

ОПИСАНИЕ РАБОТЫ

ВНИМАНИЕ: Перед регулировкой или проверкой функций инструмента обязательно убедитесь, что он выключен и его аккумуляторный блок снят.

Установка или снятие блока аккумуляторов

ВНИМАНИЕ: Обязательно выключайте инструмент перед установкой и извлечением аккумуляторного блока.

ВНИМАНИЕ: При установке и извлечении аккумуляторного блока крепко удерживайте инструмент и аккумуляторный блок. Если не соблюдать это требование, они могут выскользнуть из рук, что приведет к повреждению инструмента, аккумуляторного блока и травмированию оператора.

► **Рис.1:** 1. Красный индикатор 2. Кнопка 3. Блок аккумулятора

Для снятия аккумуляторного блока нажмите кнопку на лицевой стороне и извлеките блок.

Для установки аккумуляторного блока совместите выступ аккумуляторного блока с пазом в корпусе и задвиньте его на место. Устанавливайте блок до упора так, чтобы он зафиксировался на месте с небольшим щелчком. Если вы можете видеть красный индикатор на верхней части клавиши, адаптер аккумулятора не полностью установлен на месте.

ВНИМАНИЕ: Обязательно устанавливайте аккумуляторный блок до конца, чтобы красный индикатор не был виден. В противном случае аккумуляторный блок может выпасть из инструмента и нанести травму вам или другим людям.

ВНИМАНИЕ: Не прилагайте чрезмерных усилий при установке аккумуляторного блока. Если блок не двигается свободно, значит он вставлен неправильно.

Индикация оставшегося заряда аккумулятора

Только для аккумуляторных блоков, номер модели которых заканчивается на "В"

► **Рис.2:** 1. Индикаторы 2. Кнопка проверки

Нажмите кнопку проверки на аккумуляторном блоке для проверки заряда. Индикаторы загорятся на несколько секунд.

| Индикаторы | | | Уровень заряда |
|------------|-------|--------|--|
| Горит | Выкл. | Мигает | |
| ■ ■ ■ ■ | | | от 75 до 100% |
| ■ ■ ■ □ | | | от 50 до 75% |
| ■ ■ □ □ | | | от 25 до 50% |
| ■ □ □ □ | | | от 0 до 25% |
| ▣ □ □ □ | | | Зарядите аккумуляторную батарею. |
| ■ ■ □ □ | | | Возможно, аккумуляторная батарея неисправна. |
| □ □ ■ ■ | | | |

ПРИМЕЧАНИЕ: В зависимости от условий эксплуатации и температуры окружающего воздуха индикация может незначительно отличаться от фактического значения.

Система защиты инструмента/аккумулятора

На инструменте предусмотрена система защиты инструмента/аккумулятора. Она автоматически отключает питание двигателя для продления срока службы инструмента и аккумулятора. Инструмент автоматически остановится во время работы в следующих случаях:

Защита от перегрузки

Если из-за способа эксплуатации аккумулятор потребляет очень большое количество тока, он автоматически остановится без включения каких-либо индикаторов. В этом случае выключите инструмент и прекратите работу, повлекшую перегрузку инструмента. Затем включите инструмент для перезапуска.

Защита от перегрева

При перегреве инструмента/аккумулятора инструмент останавливается автоматически. В этом случае дайте аккумулятору остыть перед повторным включением инструмента.

Защита от переразрядки

При истощении емкости аккумулятора инструмент автоматически останавливается. В этом случае извлеките аккумулятор из инструмента и зарядите его.

ПРИМЕЧАНИЕ: Защита от перегрузки будет срабатывать только на аккумуляторах с маркировкой в виде звездочки.

► Рис.3: 1. Звездочка

Действие выключателя

► Рис.4: 1. Триггерный переключатель

ВНИМАНИЕ: Перед установкой аккумулятора блока в инструмент обязательно убедитесь, что его триггерный переключатель нормально работает и возвращается в положение "OFF" (ВЫКЛ) при отпуске.

Для запуска инструмента просто нажмите на триггерный переключатель. Для увеличения числа оборотов нажмите триггерный переключатель сильнее. Отпустите триггерный переключатель для остановки.

Включение передней лампы

► Рис.5: 1. Лампа

ВНИМАНИЕ: Не смотрите непосредственно на свет или источник света.

Лампа продолжает гореть, пока нажат триггерный переключатель. Лампа будет светиться до тех пор, пока нажат триггерный переключатель. Лампа гаснет примерно через 10 секунд после отпущения триггерного переключателя.

ПРИМЕЧАНИЕ: Для удаления пыли с линзы лампы используйте сухую ткань. Не допускайте возникновения царапин на линзе лампы, так как это приведет к снижению освещенности.

Действие реверсивного переключателя

► Рис.6: 1. Рычаг реверсивного переключателя

ВНИМАНИЕ: Перед работой всегда проверьте направление вращения.

ВНИМАНИЕ: Используйте реверсивный переключатель только после полной остановки инструмента. Изменение направления вращения до полной остановки инструмента может привести к его повреждению.

ВНИМАНИЕ: Если инструмент не используется, обязательно переведите рычаг реверсивного переключателя в нейтральное положение.

Этот инструмент оборудован реверсивным переключателем для изменения направления вращения. Нажмите на рычаг реверсивного переключателя со стороны А для вращения по часовой стрелке или со стороны В для вращения против часовой стрелки. Когда рычаг реверсивного переключателя находится в нейтральном положении, триггерный переключатель нажать нельзя.

СБОРКА

ВНИМАНИЕ: Перед проведением каких-либо работ с инструментом обязательно убедитесь, что инструмент отключен, а блок аккумулятора снят.

Установка или снятие насадки для отвертки/гнездовой биты

► Рис.7

Используйте только насадки для отвертки или гнездовые биты с хвостовиком, указанным на рисунке. Не используйте насадки для отвертки или гнездовые биты других типов.

Для инструмента с небольшим углублением под насадку

| | |
|-------------------|--|
| A=12 мм B=9 мм | Используйте только указанные типы насадки для отвертки. Выполните процедуру 1. (Примечание) Переходник не нужен. |
|-------------------|--|

Для инструмента с большим углублением под насадку

| | |
|--------------------|--|
| A=17 мм B=14 мм | Для установки насадок данных типов выполните процедуру (1). |
| A=12 мм B=9 мм | Для установки насадок данных типов выполните процедуру (2). (Примечание) Для установки насадки необходим переходник. |

Процедура 1

Для инструмента без быстроразъемной втулки

► Рис.8: 1. Насадка для отвертки 2. Муфта

Для установки насадки сдвиньте муфту по стрелке и вставьте насадку в муфту до упора.

Затем отпустите муфту, чтобы зафиксировать насадку.

Для инструмента с быстроразъемной втулкой

Для установки насадки для отвертки вставьте ее во втулку до упора.

Процедура 2

В дополнение к процедуре 1 установите переходник в муфту заостренной стороной внутрь.

► Рис.9: 1. Насадка для отвертки 2. Переходник 3. Муфта

Для снятия насадки потяните муфту в направлении, указанном стрелкой, и вытяните насадку.

ПРИМЕЧАНИЕ: Если не вставить насадку в муфту достаточно глубоко, муфта не вернется в первоначальное положение и насадка не будет закреплена. В таком случае попытайтесь повторно вставить насадку в соответствии с инструкциями выше.

ПРИМЕЧАНИЕ: Если вставить насадку для отвертки затруднительно, потяните за муфту и вставьте ее в муфту до упора.

ПРИМЕЧАНИЕ: После установки насадки для отвертки проверьте надежность ее фиксации. Если насадка выходит из держателя, не используйте ее.

Установка крючка

► Рис.10: 1. Паз 2. Крючок 3. Винт

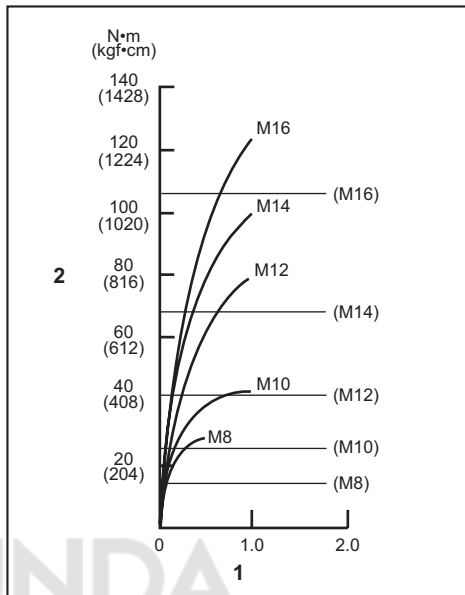
Крючок удобен для временного подвешивания инструмента. Он может быть установлен с любой стороны инструмента. Для установки крючка вставьте его в паз в корпусе инструмента с одной из сторон и закрепите при помощи винта. Чтобы снять крючок, необходимо сначала отвернуть винт.

ЭКСПЛУАТАЦИЯ

► Рис.11

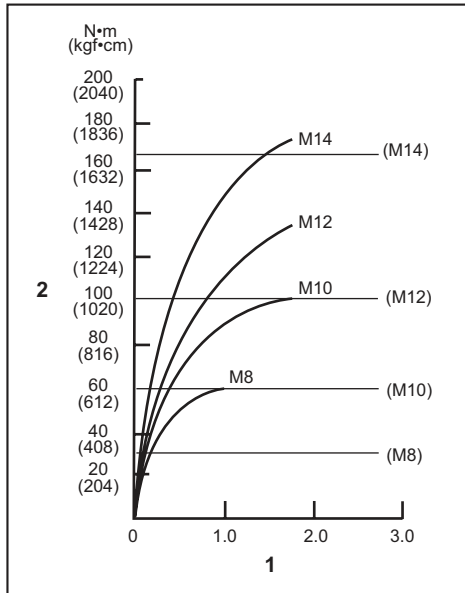
Соответствующий крутящий момент затяжки может отличаться в зависимости от типа или размера винта/болта, материала закрепляемой рабочей детали и т. д. Соотношение между крутящим моментом затяжки и временем затяжки показано на рисунках.

Соответствующий крутящий момент затяжки стандартного болта



1. Время затяжки (с) 2. Момент затяжки

Соответствующий крутящий момент затяжки высокопрочного болта



1. Время затяжки (с) 2. Момент затяжки

Крепко возьмитесь за инструмент и вставьте острие насадки для отвертки в головку винта. Надавите на инструмент в такой степени, чтобы насадка не соскользнула с винта, и включите инструмент для начала работы.

ПРИМЕЧАНИЕ: Если для продолжения работы вы используете запасной аккумулятор, перед включением инструмента выждите не менее 15 минут.

ПРИМЕЧАНИЕ: Пользуйтесь насадкой, подходящей для винта или головки, с которыми вы будете работать.

ПРИМЕЧАНИЕ: При затяжке винта М8 или меньшего размера тщательно выбирайте давление выжатия на триггерный переключатель, чтобы не повредить винт.

ПРИМЕЧАНИЕ: Держите инструмент прямо по отношению к винту.

ПРИМЕЧАНИЕ: Если сила удара слишком велика или затяжка винта происходит дольше, чем указано на рисунках, винт или насадка для отвертки могут быть перегружены, повреждены и т. д. Перед началом работы обязательно выполняйте пробную операцию, чтобы определить соответствующее время затяжки винта.

Крутящий момент затяжки зависит от множества различных факторов, включая следующее. После затяжки обязательно проверьте крутящий момент с помощью динамометрического ключа.

1. Если блок аккумулятора разряжен почти полностью, напряжение упадет, а крутящий момент затяжки уменьшится.
2. Насадка для отвертки или гнездовая бита. Использование насадки или гнездовой биты неправильного размера приведет к уменьшению крутящего момента затяжки.
3. Болт
 - Даже несмотря на то, что коэффициент крутящего момента и класс болта одинаковы, соответствующий крутящий момент затяжки будет различным в зависимости от диаметра болта.
 - Даже несмотря на то, что диаметры болтов одинаковы, соответствующий крутящий момент затяжки будет различным в зависимости от коэффициента крутящего момента, класса и длины болта.
4. Способ удержания инструмента или материала в положении крепления повлияет на крутящий момент.
5. Эксплуатация инструмента на низкой скорости приведет к уменьшению крутящего момента затяжки.

ОБСЛУЖИВАНИЕ

ВНИМАНИЕ: Перед проведением проверки или работ по техобслуживанию всегда проверяйте, что инструмент выключен, а блок аккумуляторов снят.

ПРИМЕЧАНИЕ: Запрещается использовать бензин, растворители, спирт и другие подобные жидкости. Это может привести к обесцвечиванию, деформации и трещинам.

Для обеспечения БЕЗОПАСНОСТИ и НАДЕЖНОСТИ оборудования ремонт, любое другое техобслуживание или регулировку необходимо производить в уполномоченных сервис-центрах Makita или сервис-центрах предприятия с использованием только сменных частей производства Makita.

ДОПОЛНИТЕЛЬНЫЕ ПРИНАДЛЕЖНОСТИ

ВНИМАНИЕ: Данные принадлежности или приспособления рекомендуются для использования с инструментом Makita, указанным в настоящем руководстве. Использование других принадлежностей или приспособлений может привести к получению травмы. Используйте принадлежность или приспособление только по указанному назначению.

Если вам необходимо содействие в получении дополнительной информации по этим принадлежностям, свяжитесь с вашим сервис-центром Makita.

- Насадки для отвертки
- Гнездовые биты
- Переходник
- Крючок
- Пластмассовый чемодан для переноски
- Устройство защиты аккумулятора
- Крючок инструмента
- Оригинальный аккумулятор и зарядное устройство Makita

ПРИМЕЧАНИЕ: Некоторые элементы списка могут входить в комплект инструмента в качестве стандартных приспособлений. Они могут отличаться в зависимости от страны.

Makita Europe N.V. Jan-Baptist Vinkstraat 2,
3070 Kortenberg, Belgium

Makita Corporation 3-11-8, Sumiyoshi-cho,
Anjo, Aichi 446-8502 Japan

www.makita.com

885505-984
EN, SV, NO, FI, LV,
LT, ET, RU
20160324