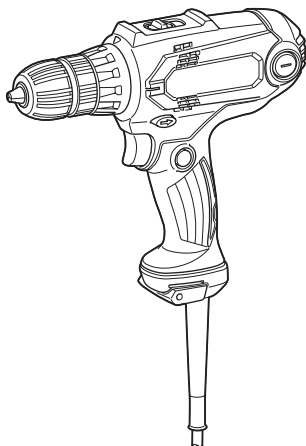


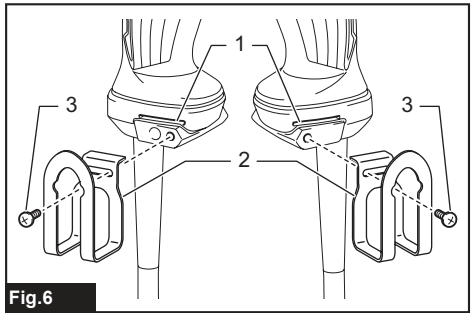
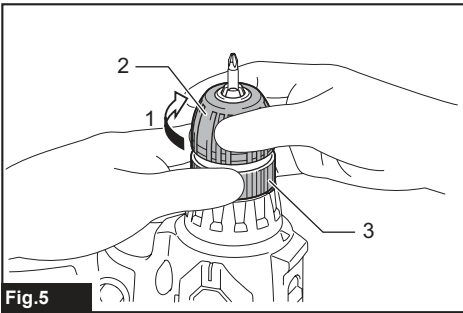
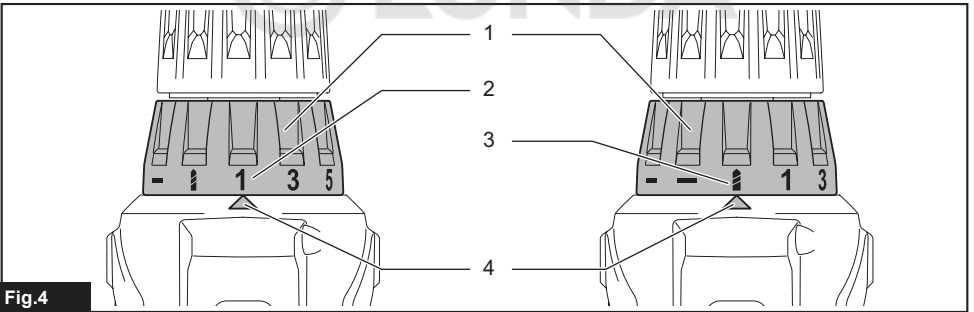
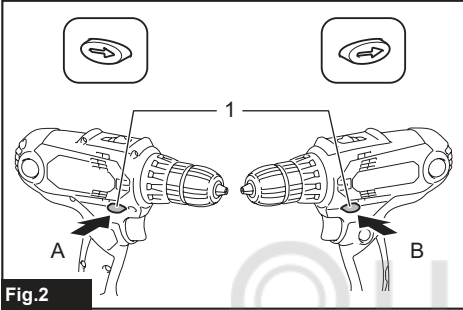
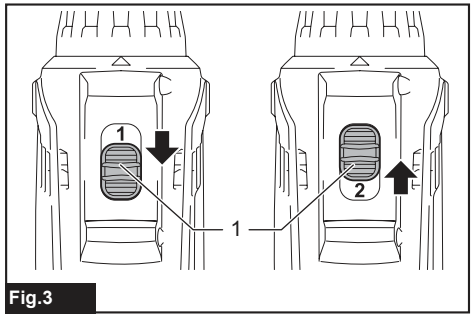
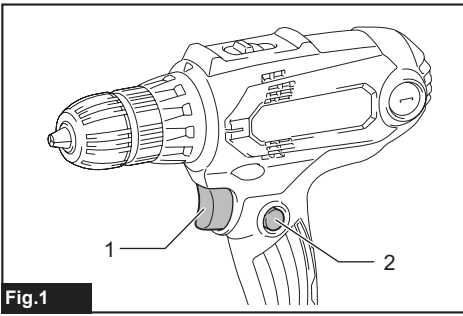


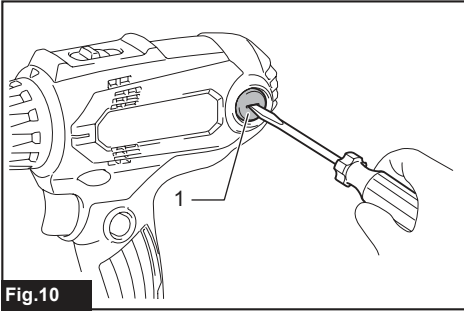
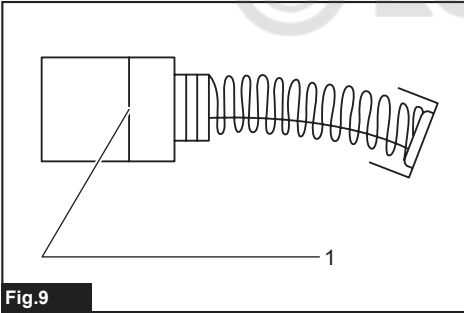
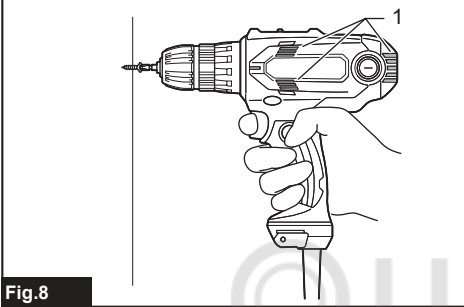
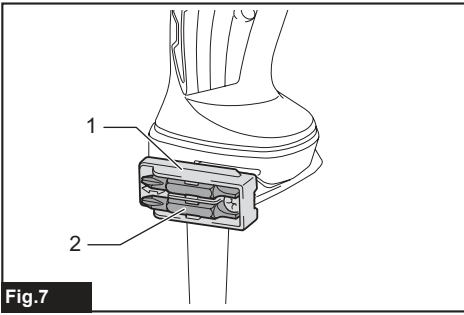
EN	Driver Drill	INSTRUCTION MANUAL	4
RU	Дрель Шуруповёрт	РУКОВОДСТВО ПО ЭКСПЛУАТАЦИИ	10
KK	Бұрағыш Бұрғысы	ПАЙДАЛАНУ ЖӨНІНДЕГІ НҰСҚАУЛЫҚ	17



DF0300







SPECIFICATIONS

Model:		DF0300
Drilling capacities	Steel	10 mm
	Wood	28 mm
Fastening capacities	Wood screw	5.1 mm x 63 mm
	Machine screw	M6
No load speed (RPM)	High (2)	0 - 1,500 min ⁻¹
	Low (1)	0 - 450 min ⁻¹
Overall length		220 mm
Net weight		1.2 kg
Safety class		□/II

- Due to our continuing program of research and development, the specifications herein are subject to change without notice.
- Specifications may differ from country to country.
- Weight according to EPTA-Procedure 01/2014

Symbols

The followings show the symbols used for the equipment. Be sure that you understand their meaning before use.



Read instruction manual.



DOUBLE INSULATION



Only for EU countries
Do not dispose of electric equipment together with household waste material! In observance of the European Directive, on Waste Electric and Electronic Equipment and its implementation in accordance with national law, electric equipment that have reached the end of their life must be collected separately and returned to an environmentally compatible recycling facility.

Intended use

The tool is intended for drilling and screw driving in wood, metal and plastic.

Power supply

The tool should be connected only to a power supply of the same voltage as indicated on the nameplate, and can only be operated on single-phase AC supply. They are double-insulated and can, therefore, also be used from sockets without earth wire.

Noise

The typical A-weighted noise level determined according to EN62841-2-1:

Sound pressure level (L_{pA}) : 80 dB(A)

Sound power level (L_{WA}) : 91 dB (A)

Uncertainty (K) : 3 dB(A)

NOTE: The declared noise emission value(s) has been measured in accordance with a standard test method and may be used for comparing one tool with another.

NOTE: The declared noise emission value(s) may also be used in a preliminary assessment of exposure.

⚠ WARNING: Wear ear protection.

⚠ WARNING: The noise emission during actual use of the power tool can differ from the declared value(s) depending on the ways in which the tool is used especially what kind of workpiece is processed.

⚠ WARNING: Be sure to identify safety measures to protect the operator that are based on an estimation of exposure in the actual conditions of use (taking account of all parts of the operating cycle such as the times when the tool is switched off and when it is running idle in addition to the trigger time).

Vibration

The vibration total value (tri-axial vector sum) determined according to EN62841-2-1:

Work mode: drilling into metal

Vibration emission ($a_{h,D}$)² : 2.5 m/s² or less

Uncertainty (K) : 1.5 m/s²

NOTE: The declared vibration total value(s) has been measured in accordance with a standard test method and may be used for comparing one tool with another.

NOTE: The declared vibration total value(s) may also be used in a preliminary assessment of exposure.

⚠️WARNING: The vibration emission during actual use of the power tool can differ from the declared value(s) depending on the ways in which the tool is used especially what kind of workpiece is processed.

⚠️WARNING: Be sure to identify safety measures to protect the operator that are based on an estimation of exposure in the actual conditions of use (taking account of all parts of the operating cycle such as the times when the tool is switched off and when it is running idle in addition to the trigger time).

EC Declaration of Conformity

For European countries only

The EC declaration of conformity is included as Annex A to this instruction manual.

SAFETY WARNINGS

General power tool safety warnings

⚠️WARNING: Read all safety warnings, instructions, illustrations and specifications provided with this power tool. Failure to follow all instructions listed below may result in electric shock, fire and/or serious injury.

Save all warnings and instructions for future reference.

The term "power tool" in the warnings refers to your mains-operated (corded) power tool or battery-operated (cordless) power tool.

Work area safety

1. **Keep work area clean and well lit.** Cluttered or dark areas invite accidents.
2. **Do not operate power tools in explosive atmospheres, such as in the presence of flammable liquids, gases or dust.** Power tools create sparks which may ignite the dust or fumes.
3. **Keep children and bystanders away while operating a power tool.** Distractions can cause you to lose control.

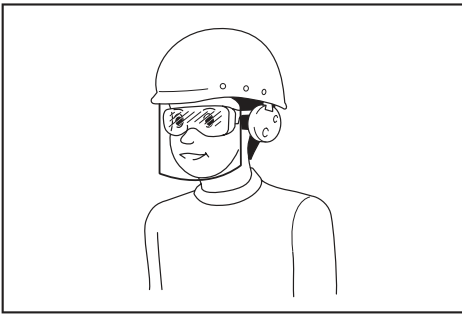
Electrical safety

1. **Power tool plugs must match the outlet. Never modify the plug in any way. Do not use any adapter plugs with earthed (grounded) power tools.** Unmodified plugs and matching outlets will reduce risk of electric shock.
2. **Avoid body contact with earthed or grounded surfaces, such as pipes, radiators, ranges and refrigerators.** There is an increased risk of electric shock if your body is earthed or grounded.
3. **Do not expose power tools to rain or wet conditions.** Water entering a power tool will increase the risk of electric shock.
4. **Do not abuse the cord. Never use the cord for carrying, pulling or unplugging the power tool. Keep cord away from heat, oil, sharp edges or moving parts.** Damaged or entangled cords increase the risk of electric shock.

5. **When operating a power tool outdoors, use an extension cord suitable for outdoor use.** Use of a cord suitable for outdoor use reduces the risk of electric shock.
6. **If operating a power tool in a damp location is unavoidable, use a residual current device (RCD) protected supply.** Use of an RCD reduces the risk of electric shock.
7. **Use of power supply via an RCD with a rated residual current of 30 mA or less is always recommended.**
8. **Power tools can produce electromagnetic fields (EMF) that are not harmful to the user.** However, users of pacemakers and other similar medical devices should contact the maker of their device and/or doctor for advice before operating this power tool.
9. **Do not touch the power plug with wet hands.**
10. **If the cord is damaged, have it replaced by the manufacturer or his agent in order to avoid a safety hazard.**

Personal safety

1. **Stay alert, watch what you are doing and use common sense when operating a power tool. Do not use a power tool while you are tired or under the influence of drugs, alcohol or medication.** A moment of inattention while operating power tools may result in serious personal injury.
2. **Use personal protective equipment. Always wear eye protection.** Protective equipment such as a dust mask, non-skid safety shoes, hard hat or hearing protection used for appropriate conditions will reduce personal injuries.
3. **Prevent unintentional starting. Ensure the switch is in the off-position before connecting to power source and/or battery pack, picking up or carrying the tool.** Carrying power tools with your finger on the switch or energising power tools that have the switch on invites accidents.
4. **Remove any adjusting key or wrench before turning the power tool on.** A wrench or a key left attached to a rotating part of the power tool may result in personal injury.
5. **Do not overreach. Keep proper footing and balance at all times.** This enables better control of the power tool in unexpected situations.
6. **Dress properly. Do not wear loose clothing or jewellery. Keep your hair and clothing away from moving parts.** Loose clothes, jewellery or long hair can be caught in moving parts.
7. **If devices are provided for the connection of dust extraction and collection facilities, ensure these are connected and properly used.** Use of dust collection can reduce dust-related hazards.
8. **Do not let familiarity gained from frequent use of tools allow you to become complacent and ignore tool safety principles.** A careless action can cause severe injury within a fraction of a second.
9. **Always wear protective goggles to protect your eyes from injury when using power tools. The goggles must comply with ANSI Z87.1 in the USA, EN 166 in Europe, or AS/NZS 1336 in Australia/New Zealand. In Australia/New Zealand, it is legally required to wear a face shield to protect your face, too.**



It is an employer's responsibility to enforce the use of appropriate safety protective equipments by the tool operators and by other persons in the immediate working area.

Power tool use and care

1. **Do not force the power tool. Use the correct power tool for your application.** The correct power tool will do the job better and safer at the rate for which it was designed.
2. **Do not use the power tool if the switch does not turn it on and off.** Any power tool that cannot be controlled with the switch is dangerous and must be repaired.
3. **Disconnect the plug from the power source and/or remove the battery pack, if detachable, from the power tool before making any adjustments, changing accessories, or storing power tools.** Such preventive safety measures reduce the risk of starting the power tool accidentally.
4. **Store idle power tools out of the reach of children and do not allow persons unfamiliar with the power tool or these instructions to operate the power tool.** Power tools are dangerous in the hands of untrained users.
5. **Maintain power tools and accessories. Check for misalignment or binding of moving parts, breakage of parts and any other condition that may affect the power tool's operation. If damaged, have the power tool repaired before use.** Many accidents are caused by poorly maintained power tools.
6. **Keep cutting tools sharp and clean.** Properly maintained cutting tools with sharp cutting edges are less likely to bind and are easier to control.
7. **Use the power tool, accessories and tool bits etc. in accordance with these instructions, taking into account the working conditions and the work to be performed.** Use of the power tool for operations different from those intended could result in a hazardous situation.
8. **Keep handles and grasping surfaces dry, clean and free from oil and grease.** Slippery handles and grasping surfaces do not allow for safe handling and control of the tool in unexpected situations.
9. **When using the tool, do not wear cloth work gloves which may be entangled.** The entanglement of cloth work gloves in the moving parts may result in personal injury.

Service

1. **Have your power tool serviced by a qualified repair person using only identical replacement parts.** This will ensure that the safety of the power tool is maintained.
2. **Follow instruction for lubricating and changing accessories.**

Driver drill safety warnings

1. **Hold the power tool by insulated gripping surfaces, when performing an operation where the cutting accessory or fasteners may contact hidden wiring or its own cord.** Cutting accessory or fasteners contacting a "live" wire may make exposed metal parts of the power tool "live" and could give the operator an electric shock.
2. **Always be sure you have a firm footing. Be sure no one is below when using the tool in high locations.**
3. **Hold the tool firmly.**
4. **Keep hands away from rotating parts.**
5. **Do not leave the tool running. Operate the tool only when hand-held.**
6. **Do not touch the drill bit or the workpiece immediately after operation; they may be extremely hot and could burn your skin.**
7. **Some material contains chemicals which may be toxic. Take caution to prevent dust inhalation and skin contact. Follow material supplier safety data.**
8. **If the drill bit cannot be loosened even you open the jaws, use pliers to pull it out.** In such a case, pulling out the drill bit by hand may result in injury by its sharp edge.

Safety instructions when using long drill bits

1. **Never operate at higher speed than the maximum speed rating of the drill bit.** At higher speeds, the bit is likely to bend if allowed to rotate freely without contacting the workpiece, resulting in personal injury.
2. **Always start drilling at low speed and with the bit tip in contact with the workpiece.** At higher speeds, the bit is likely to bend if allowed to rotate freely without contacting the workpiece, resulting in personal injury.
3. **Apply pressure only in direct line with the bit and do not apply excessive pressure.** Bits can bend causing breakage or loss of control, resulting in personal injury.

SAVE THESE INSTRUCTIONS.

⚠WARNING: DO NOT let comfort or familiarity with product (gained from repeated use) replace strict adherence to safety rules for the subject product. MISUSE or failure to follow the safety rules stated in this instruction manual may cause serious personal injury.

FUNCTIONAL DESCRIPTION

CAUTION: Always be sure that the tool is switched off and unplugged before adjusting or checking function on the tool.

Switch action

► Fig.1: 1. Switch trigger 2. Lock button

CAUTION: Before plugging in the tool, always check to see that the switch trigger actuates properly and returns to the "OFF" position when released.

CAUTION: Switch can be locked in "ON" position for ease of operator comfort during extended use. Apply caution when locking tool in "ON" position and maintain firm grasp on tool.

To start the tool, simply pull the switch trigger. Tool speed is increased by increasing pressure on the switch trigger. Release the switch trigger to stop.

For continuous operation, pull the switch trigger, push in the lock button and then release the switch trigger. To stop the tool from the locked position, pull the switch trigger fully, then release it.

Reversing switch action

► Fig.2: 1. Reversing switch lever



CAUTION: Always check the direction of rotation before operation.

CAUTION: Use the reversing switch only after the tool comes to a complete stop. Changing the direction of rotation before the tool stops may damage the tool.

This tool has a reversing switch to change the direction of rotation. Depress the reversing switch lever from the A side for clockwise rotation or from the B side for counterclockwise rotation.

Adjusting the fastening torque

► Fig.4: 1. Adjusting ring 2. Graduation 3.  marking 4. Arrow

The fastening torque can be adjusted in 21 levels by turning the adjusting ring. Align the graduations with the arrow on the tool body. You can get the minimum fastening torque at 1 and maximum torque at  marking. The clutch will slip at various torque levels when set at the number 1 to 20. The clutch does not work at the  marking.

Before actual operation, drive a trial screw into your material or a piece of duplicate material to determine which torque level is required for a particular application.

The following shows the rough guide of the relationship between the screw size and graduation.

Graduation		1	2	3	4	5	6	7	8	9	10	11	12	13	14	15	16	17	18	19	20
Machine screw		M4				M5								M6							
Wood screw	Soft wood (e.g. pine)	-				φ3.5 x 22				φ4.1 x 38				-							
	Hard wood (e.g. lauan)	-				φ3.5 x 22								φ4.1 x 38				-			

Speed change

► Fig.3: 1. Speed change lever

CAUTION: Always set the speed change lever fully to the correct position. If you operate the tool with the speed change lever positioned halfway between the "1" side and "2" side, the tool may be damaged.

CAUTION: Do not use the speed change lever while the tool is running. The tool may be damaged.

Position of speed change lever	Speed	Torque	Applicable operation
1	Low	High	Heavy loading operation
2	High	Low	Light loading operation

To change the speed, switch off the tool first. Select the "2" side for high speed or "1" for low speed but high torque. Be sure that the speed change lever is set to the correct position before operation.

If the tool speed is coming down extremely during the operation with "2", slide the lever to the "1" and restart the operation.

ASSEMBLY

⚠ CAUTION: Always be sure that the tool is switched off and unplugged before adjusting or checking function on the tool.

Installing or removing driver bit/ drill bit

⚠ CAUTION: After inserting the driver bit/drill bit, make sure that it is firmly secured. If it comes out, do not use it.

► **Fig.5:** 1. Tighten 2. Sleeve 3. Ring

Hold the ring and turn the sleeve counterclockwise to open the chuck jaws. Place the driver bit/drill bit in the chuck as far as it will go. Hold the ring firmly and turn the sleeve clockwise to tighten the chuck. To remove the driver bit/drill bit, hold the ring and turn the sleeve counterclockwise.

Installing hook

Optional accessory

⚠ CAUTION: When installing the hook, always secure it with the screw firmly. If not, the hook may come off from the tool and result in the personal injury.

► **Fig.6:** 1. Groove 2. Hook 3. Screw

The hook is convenient for temporarily hanging the tool. This can be installed on either side of the tool. To install the hook, insert it into a groove in the tool housing on either side and then secure it with a screw. To remove, loosen the screw and then take it out.

Installing driver bit holder

Optional accessory

► **Fig.7:** 1. Driver bit holder 2. Driver bit

Fit the driver bit holder into the protrusion at the tool foot on either right or left side and secure it with a screw. When not using the driver bit, keep it in the driver bit holders. Driver bits 45 mm-long can be kept there.

OPERATION

⚠ CAUTION: When the speed comes down extremely, reduce the load or stop the tool to avoid the tool damage.

► **Fig.8:** 1. Vent

Hold the tool firmly with one hand on the grip. In the case of the twisting action, hold the grip firmly with both hands.

NOTICE: Do not cover vents, or it may cause overheating and damage to the tool.

Screwdriving operation


⚠ CAUTION: Adjust the adjusting ring to the proper torque level for your work.

⚠ CAUTION: Make sure that the driver bit is inserted straight in the screw head, or the screw and/or driver bit may be damaged.

Place the point of the driver bit in the screw head and apply pressure to the tool. Start the tool slowly and then increase the speed gradually. Release the switch trigger as soon as the clutch cuts in.

NOTE: When driving wood screw, pre-drill a pilot hole 2/3 the diameter of the screw. It makes driving easier and prevents splitting of the workpiece.

Drilling operation

First, turn the adjusting ring so that the arrow points to the  marking. Then proceed as follows.

Drilling in wood

When drilling in wood, the best results are obtained with wood drills equipped with a guide screw. The guide screw makes drilling easier by pulling the drill bit into the workpiece.

Drilling in metal

To prevent the drill bit from slipping when starting a hole, make an indentation with a center-punch and hammer at the point to be drilled. Place the point of the drill bit in the indentation and start drilling. Use a cutting lubricant when drilling metals. The exceptions are iron and brass which should be drilled dry.

⚠ CAUTION: Pressing excessively on the tool will not speed up the drilling. In fact, this excessive pressure will only serve to damage the tip of your drill bit, decrease the tool performance and shorten the service life of the tool.

⚠ CAUTION: Hold the tool firmly and exert care when the drill bit begins to break through the workpiece. There is a tremendous force exerted on the tool/drill bit at the time of hole break through.

⚠ CAUTION: A stuck drill bit can be removed simply by setting the reversing switch to reverse rotation in order to back out. However, the tool may back out abruptly if you do not hold it firmly.

⚠ CAUTION: Always secure workpieces in a vise or similar hold-down device.

MAINTENANCE

⚠ CAUTION: Always be sure that the tool is switched off and unplugged before attempting to perform inspection or maintenance.

NOTICE: Never use gasoline, benzine, thinner, alcohol or the like. Discoloration, deformation or cracks may result.

To maintain product SAFETY and RELIABILITY, repairs, any other maintenance or adjustment should be performed by Makita Authorized or Factory Service Centers, always using Makita replacement parts.

Replacing carbon brushes

► **Fig.9:** 1. Limit mark

Check the carbon brushes regularly. Replace them when they wear down to the limit mark. Keep the carbon brushes clean and free to slip in the holders. Both carbon brushes should be replaced at the same time. Use only identical carbon brushes.

1. Use a screwdriver to remove the brush holder caps.
2. Take out the worn carbon brushes, insert the new ones and secure the brush holder caps.

► **Fig.10:** 1. Brush holder cap

OPTIONAL ACCESSORIES

⚠ CAUTION: These accessories or attachments are recommended for use with your Makita tool specified in this manual. The use of any other accessories or attachments might present a risk of injury to persons. Only use accessory or attachment for its stated purpose.

If you need any assistance for more details regarding these accessories, ask your local Makita Service Center.

- Drill bits
- Driver bits
- Socket bits
- Driver bit holder
- Hook

NOTE: Some items in the list may be included in the tool package as standard accessories. They may differ from country to country.

ТЕХНИЧЕСКИЕ ХАРАКТЕРИСТИКИ

Модель:		DF0300
Максимальный диаметр сверления	Сталь	10 мм
	Дерево	28 мм
Усилие затягивания	Шуруп	5,1 мм x 63 мм
	Мелкий крепежный винт	M6
Частота вращения без нагрузки (об/мин)	Высокая (2)	0 - 1 500 мин ⁻¹
	Низкая (1)	0 - 450 мин ⁻¹
Общая длина		220 мм
Масса нетто		1,2 кг
Класс безопасности		□/II

- Благодаря нашей постоянно действующей программе исследований и разработок указанные здесь технические характеристики могут быть изменены без предварительного уведомления.
- Технические характеристики могут различаться в зависимости от страны.
- Масса в соответствии с процедурой EPTA 01/2014

Символы

Ниже приведены символы, используемые для обозначения. Перед использованием убедитесь, что вы понимаете их значение.



Прочитайте руководство по эксплуатации.



ДВОЙНАЯ ИЗОЛЯЦИЯ



Только для стран ЕС
Не выбрасывайте электрическое оборудование вместе с обычным мусором! В рамках соблюдения Европейской Директивы по утилизации электрического и электронного оборудования и ее применения в соответствии с национальным законодательством, электрооборудование в конце срока своей службы должно утилизироваться отдельно и передаваться для утилизации на предприятие, соответствующее применяемым правилам охраны окружающей среды.

Назначение

Инструмент предназначен для сверления и закручивания шурупов в дерево, металл и пластик.

Источник питания

Данный инструмент должен подключаться к источнику питания с напряжением, соответствующим напряжению, указанному на идентификационной пластине, и может работать только от однофазного источника переменного тока. Он имеет двойную изоляцию и поэтому может подключаться к розеткам без заземления.

Шум

Типичный уровень взвешенного звукового давления (A), измеренный в соответствии с EN62841-2-1:
Уровень звукового давления (L_{РА}): 80 дБ (A)
Уровень звуковой мощности (L_{WA}): 91 дБ (A)
Погрешность (K): 3 дБ (A)

ПРИМЕЧАНИЕ: Заявленное значение распространения шума измерено в соответствии со стандартной методикой испытаний и может быть использовано для сравнения инструментов.

ПРИМЕЧАНИЕ: Заявленное значение распространения шума можно также использовать для предварительных оценок воздействия.

⚠ ОСТОРОЖНО: Используйте средства защиты слуха.

⚠ ОСТОРОЖНО: Распространение шума во время фактического использования электроинструмента может отличаться от заявленного значения в зависимости от способа применения инструмента и в особенности от типа обрабатываемой детали.

⚠ ОСТОРОЖНО: Обязательно определите меры безопасности для защиты оператора, основанные на оценке воздействия в реальных условиях использования (с учетом всех этапов рабочего цикла, таких как выключение инструмента, работа без нагрузки и включение).

Вибрация

Суммарное значение вибрации (сумма векторов по трем осям), определенное в соответствии с EN62841-2-1:
Рабочий режим: сверление металла
Распространение вибрации (a_{n,D}): 2,5 м/с² или менее
Погрешность (K): 1,5 м/с²

ПРИМЕЧАНИЕ: Заявленное общее значение распространения вибрации измерено в соответствии со стандартной методикой испытаний и может быть использовано для сравнения инструментов.

ПРИМЕЧАНИЕ: Заявленное общее значение распространения вибрации можно также использовать для предварительных оценок воздействия.

⚠ОСТОРОЖНО: Распространение вибрации во время фактического использования электроинструмента может отличаться от заявленного значения в зависимости от способа применения инструмента и в особенности от типа обрабатываемой детали.

⚠ОСТОРОЖНО: Обязательно определите меры безопасности для защиты оператора, основанные на оценке воздействия в реальных условиях использования (с учетом всех этапов рабочего цикла, таких как выключение инструмента, работа без нагрузки и включение).

Декларация о соответствии ЕС

Только для европейских стран

Декларация о соответствии ЕС включена в руководство по эксплуатации (Приложение А).

МЕРЫ БЕЗОПАСНОСТИ

Общие рекомендации по технике безопасности для электроинструментов

⚠ОСТОРОЖНО: Ознакомьтесь со всеми представленными инструкциями по технике безопасности, указаниями, иллюстрациями и техническими характеристиками, прилагаемыми к данному электроинструменту. Несоблюдение каких-либо инструкций, указанных ниже, может привести к поражению электрическим током, пожару и/или серьезной травме.

Сохраните брошюру с инструкциями и рекомендациями для дальнейшего использования.

Термин "электроинструмент" в предупреждениях относится ко всему инструменту, работающему от сети (с проводом) или на аккумуляторах (без провода).

Безопасность в месте выполнения работ

1. Рабочее место должно быть чистым и хорошо освещенным. Захламление и плохое освещение могут стать причиной несчастных случаев.
2. Не пользуйтесь электроинструментом во взрывоопасной атмосфере, например в присутствии легко воспламеняющихся жидкостей, газов или пыли. При работе электроинструмента возникают искры, которые могут привести к воспламенению пыли или газов.

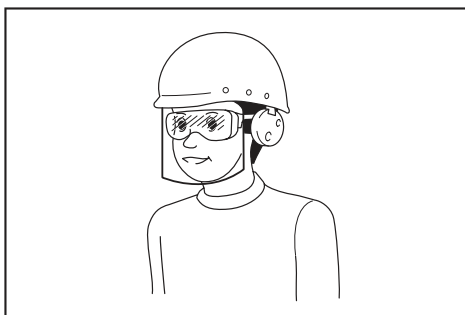
3. При работе с электроинструментом не допускайте детей или посторонних к месту выполнения работ. Не отвлекайтесь во время работы, так как это приведет к потере контроля над электроинструментом.

Электробезопасность

1. Вилка электроинструмента должна соответствовать сетевой розетке. Запрещается вносить какие-либо изменения в конструкцию вилки. Для электроинструмента с заземлением запрещается использовать переходники. Розетки и вилки, не подвергавшиеся изменениям, снижают риск поражения электрическим током.
2. Избегайте контакта участков тела с заземленными поверхностями, такими как трубы, радиаторы, батареи отопления и холодильники. При контакте тела с заземленными предметами увеличивается риск поражения электрическим током.
3. Не подвергайте электроинструмент воздействию дождя или влаги. Попадание воды в электроинструмент повышает риск поражения электрическим током.
4. Аккуратно обращайтесь со шнуром питания. Запрещается использовать шнур питания для переноски, перемещения или извлечения вилки из розетки. Располагайте шнур на расстоянии от источников тепла, масла, острых краев и движущихся деталей. Поврежденные или запутанные сетевые шнуры увеличивают риск поражения электрическим током.
5. При использовании электроинструмента вне помещения используйте удлинитель, подходящий для этих целей. Использование соответствующего шнура снижает риск поражения электрическим током.
6. Если электроинструмент приходится эксплуатировать в сыром месте, используйте линию электропитания, которая защищена устройством, срабатывающим от остаточного тока (RCD). Использование RCD снижает риск поражения электротоком.
7. Рекомендуется использовать питание через RCD с номинальным остаточным током 30 мА или менее.
8. Электроинструмент может создавать электромагнитные поля (EMF), которые не представляют опасности для пользователя. Однако пользователям с кардиостимуляторами и другими аналогичными медицинскими устройствами следует обратиться к производителю устройства и/или врачу перед началом эксплуатации инструмента.
9. Не прикасайтесь к разъему электропитания мокрыми руками.
10. Во избежание угрозы безопасности, в случае повреждения кабеля его необходимо заменить в мастерской изготовителя.

Личная безопасность

1. При использовании электроинструмента будьте бдительны, следите за тем, что вы делаете, и руководствуйтесь здравым смыслом. Не пользуйтесь электроинструментом, если вы устали, находитесь под воздействием наркотиков, алкоголя или лекарственных препаратов. Даже мгновенная невнимательность при использовании электроинструмента может привести к серьезной травме.
2. Используйте индивидуальные средства защиты. Всегда надевайте защитные очки. Такие средства индивидуальной защиты, как маска от пыли, защитная нескользящая обувь, каска или наушники, используемые в соответствующих условиях, позволяют снизить риск получения травмы.
3. Не допускайте случайного запуска. Прежде чем подсоединять инструмент к источнику питания и/или аккумуляторной батарее, поднимать или переносить инструмент, убедитесь, что переключатель находится в выключенном положении. Переноска электроинструмента с пальцем на выключателе или подача питания на инструмент с включенным выключателем может привести к несчастному случаю.
4. Перед включением электроинструмента снимите с него все регулировочные инструменты и гаечные ключи. Гаечный или регулировочный ключ, оставшийся закрепленным на вращающейся детали, может привести к травме.
5. При эксплуатации устройства не тянитесь. Всегда сохраняйте устойчивое положение и равновесие. Это позволит лучше управлять электроинструментом в непредвиденных ситуациях.
6. Одевайтесь соответствующим образом. Не надевайте свободную одежду или украшения. Ваши волосы и одежда должны всегда находиться на расстоянии от движущихся деталей. Свободная одежда, украшения или длинные волосы могут попасть в движущиеся детали устройства.
7. Если электроинструмент оборудован системой удаления и сбора пыли, убедитесь, что она подключена и используется соответствующим образом. Использование пылесборника снижает вероятность возникновения рисков, связанных с пылью.
8. Не переоценивайте свои возможности и не пренебрегайте правилами техники безопасности, даже если вы часто работаете с инструментом. Небрежное обращение с инструментом может стать причиной серьезной травмы за доли секунды.
9. Во время работы с электроинструментом всегда надевайте защитные очки. Очки должны соответствовать ANSI Z87.1 для США, EN 166 для Европы, или AS/NZS 1336 для Австралии и Новой Зеландии. В Австралии и Новой Зеландии оператор также обязан носить защитную маску.



Ответственность за использование средств защиты операторами и другим персоналом вблизи рабочей зоны возлагается на работодателя.

Эксплуатация и обслуживание электроинструмента

1. Не прилагайте излишних усилий к электроинструменту. Используйте инструмент, соответствующий выполняемой вами работе. Правильно подобранный электроинструмент позволит выполнить работу лучше и безопаснее с производительностью, на которую он рассчитан.
2. Не пользуйтесь электроинструментом с неисправным выключателем. Любой электроинструмент с неисправным выключателем опасен и должен быть отремонтирован.
3. Перед выполнением регулировок, сменной принадлежностей или хранением электроинструмента всегда отключайте его от источника питания и/или от аккумулятора или снимайте аккумулятор, если он является съемным. Такие превентивные меры предосторожности снижают риск случайного включения электроинструмента.
4. Храните электроинструменты в местах, недоступных для детей, и не позволяйте лицам, не знакомым с работой такого инструмента или не прочитавшим данные инструкции, пользоваться им. Электроинструмент опасен в руках неопытных пользователей.
5. Поддерживайте электроинструмент и дополнительные принадлежности в надлежащем состоянии. Убедитесь в соосности, отсутствии деформаций движущихся узлов, поломок каких-либо деталей или других дефектов, которые могут повлиять на работу электроинструмента. Если инструмент поврежден, отремонтируйте его перед использованием. Большое число несчастных случаев происходит из-за плохого ухода за электроинструментом.
6. Режущий инструмент всегда должен быть острым и чистым. Соответствующее обращение с режущим инструментом, имеющим острые режущие кромки, делает его менее подверженным деформациям, что позволяет лучше управлять им.

7. Используйте электроинструмент, принадлежности, приспособления и насадки в соответствии с данными инструкциями и в целях, для которых он предназначен, учитывая при этом условия и вид выполняемой работы. Использование электроинструмента не по назначению может привести к возникновению опасной ситуации.
8. Рукоятки инструмента и специальные изолированные поверхности всегда должны быть сухими и чистыми и не содержать следов масла или смазки. Скользкие рукоятки и специальные поверхности препятствуют соблюдению рекомендаций по технике безопасности в экстренных ситуациях.
9. При использовании инструмента не надевайте рабочие перчатки, ткань которых инструмент может затянуть. Затягивание ткани рабочих перчаток в движущиеся части инструмента может привести к травме.

Сервисное обслуживание

1. Сервисное обслуживание электроинструмента должно проводиться только квалифицированным специалистом по ремонту и только с использованием идентичных запасных частей. Это позволит обеспечить безопасность электроинструмента.
2. Следуйте инструкциям по смазке и замене принадлежностей.

Меры безопасности при использовании дрели-шурупверта

1. Держите электроинструмент за специальные изолированные поверхности, поскольку при выполнении работ существует риск контакта режущего инструмента или крепежей со скрытой электропроводкой или шнуром питания инструмента. Контакт режущего инструмента или крепежей с проводом под напряжением может привести к тому, что металлические детали инструмента также окажутся под напряжением, что может стать причиной поражения оператора током.
2. При выполнении работ всегда занимайте устойчивое положение. При использовании инструмента на высоте убедитесь в отсутствии людей внизу.
3. Крепко держите инструмент.
4. Руки должны находиться на расстоянии от вращающихся деталей.
5. Не оставляйте работающий инструмент без присмотра. Включайте инструмент только тогда, когда он находится в руках.
6. Сразу после окончания работ не прикасайтесь к головке сверла или детали. Они могут быть очень горячими, что приведет к ожогам кожи.

7. Некоторые материалы могут содержать токсичные химические вещества. Примите соответствующие меры предосторожности, чтобы избежать вдыхания или контакта с кожей таких веществ. Соблюдайте требования, указанные в паспорте безопасности материала.
8. Если головку сверла не удается ослабить даже с помощью открывания зажимов, воспользуйтесь плоскогубцами, чтобы вытянуть ее. Вытягивание головки сверла вручную может привести к травмированию ее острой кромкой.

Инструкции по технике безопасности при использовании головок сверла увеличенной длины

1. Запрещено работать на скорости, превышающей максимальные номинальные значения для головки сверла. На более высоких скоростях сверло может изогнуться, если позволить ему вращаться свободно без контакта с заготовкой, что может привести к травме.
2. Всегда начинайте сверление на низкой скорости, прижав кончик сверла к заготовке. На более высоких скоростях сверло может изогнуться, если позволить ему вращаться свободно без контакта с заготовкой, что может привести к травме.
3. Прикладывайте давление к инструменту только по оси сверла и не прижимайте сверло слишком сильно. Сверла могут согнуться, что приведет к поломке или потере контроля, что может стать причиной травмы.

СОХРАНИТЕ ДАННЫЕ ИНСТРУКЦИИ.

⚠ОСТОРОЖНО: НЕ ДОПУСКАЙТЕ, чтобы удобство или опыт эксплуатации данного устройства (полученный от многократного использования) доминировали над строгим соблюдением правил техники безопасности при обращении с этим устройством. **НЕПРАВИЛЬНОЕ ИСПОЛЬЗОВАНИЕ** инструмента или несоблюдение правил техники безопасности, указанных в данном руководстве, может привести к тяжелой травме.

ОПИСАНИЕ РАБОТЫ

⚠ВНИМАНИЕ: Перед регулировкой или проверкой функций инструмента обязательно убедитесь, что он выключен и его вилка вынута из розетки.

Действие выключателя

► Рис.1: 1. Триггерный переключатель 2. Кнопка блокировки

⚠ВНИМАНИЕ: Перед включением инструмента в розетку обязательно убедитесь, что триггерный переключатель работает надлежащим образом и возвращается в положение "ВЫКЛ", если его отпустить.

⚠ВНИМАНИЕ: При продолжительной работе для удобства оператора переключатель можно зафиксировать в положении "ВКЛ.". Соблюдайте осторожность при фиксации переключателя в положении "ВКЛ." и крепко держите инструмент.

Для запуска инструмента просто нажмите на триггерный переключатель. Для увеличения числа оборотов нажмите триггерный переключатель сильнее. Отпустите триггерный переключатель для остановки.

Для непрерывной работы инструмента зажмите триггерный переключатель, нажмите на кнопку блокировки и затем отпустите триггерный переключатель. Для остановки инструмента, который работает в режиме непрерывной работы, до упора нажмите и отпустите триггерный переключатель.

Действие реверсивного переключателя

► Рис.2: 1. Рычаг реверсивного переключателя

⚠ВНИМАНИЕ: Перед работой всегда проверяйте направление вращения.

⚠ВНИМАНИЕ: Используйте реверсивный переключатель только после полной остановки инструмента. Изменение направления вращения до полной остановки инструмента может привести к его повреждению.

Этот инструмент оборудован реверсивным переключателем для изменения направления вращения. Нажмите на рычаг реверсивного переключателя со стороны А для вращения по часовой стрелке или со стороны В для вращения против часовой стрелки.

Изменение скорости

► Рис.3: 1. Рычаг изменения скорости

⚠ВНИМАНИЕ: Всегда устанавливайте рычаг изменения скорости в правильное положение до конца. Если Вы работаете с инструментом, а рычаг изменения скорости находится посередине между обозначениями "1" и "2", это может привести к повреждению инструмента.

⚠ВНИМАНИЕ: Не используйте рычаг переключения скорости при работающем инструменте. Это может привести к повреждению инструмента.

Положение рычага переключения скорости	Скорость	Крутящий момент	Допустимые работы
1	Низкая	Высокая	Работа с высокой нагрузкой
2	Высокая	Низкая	Работа с малой нагрузкой

Для изменения скорости работы сначала выключите инструмент. Выберите положение "2" для высоких оборотов или положение "1" для низких оборотов с высоким крутящим моментом. Перед началом работ убедитесь в правильном положении рычага переключения скорости.

Если обороты инструмента значительно снизились во время работы в положении "2", переведите рычаг в положение "1" и продолжите работу.

Регулировка крутящего момента затяжки

► **Рис.4:** 1. Регулировочное кольцо 2. Градуировка 3. Значок 4. Стрелка

Крутящий момент затяжки настраивается поворотом регулировочного кольца (предусмотрено 21 положения). Совместите градуировку со стрелкой на корпусе инструмента. Минимальному крутящему моменту затяжки соответствует положение 1, а максимальному – отметка 20.

Муфта будет проскальзывать при различных уровнях крутящего момента, установленного на значение от 1 до 20. Муфта не работает при выборе отметки 20.

Перед выполнением работы закрутите пробный болт в ваш материал или деталь из такого материала для определения необходимого крутящего момента для данного конкретного применения.

Ниже приводятся ориентировочные данные о зависимости между размером шурупа и градуировкой.

Градуировка		1	2	3	4	5	6	7	8	9	10	11	12	13	14	15	16	17	18	19	20
Мелкий крепежный винт		M4				M5								M6							
Шуруп	Мягкое дерево (например, сосна)	–				φ3,5 x 22				φ4,1 x 38				–							
	Твердое дерево (например, диптерокарп)	–				φ3,5 x 22				φ4,1 x 38				–							

СБОРКА

⚠ ВНИМАНИЕ: Перед регулировкой или проверкой функций инструмента обязательно убедитесь, что он выключен и его вилка вынута из розетки.

Установка или снятие насадки для отвертки или головки сверла

⚠ ВНИМАНИЕ: После установки насадки для отвертки / головки сверла проверьте надежность ее фиксации. Если она выходит из держателя, не используйте ее.

► **Рис.5:** 1. Затянуть 2. Втулку 3. Кольцо

Удерживайте кольцо и поверните втулку против часовой стрелки для освобождения кулачков зажимного патрона. Вставьте насадку для отвертки или головки сверла в зажимной патрон как можно глубже. Крепко удерживая кольцо, поверните втулку по часовой стрелке для затяжки патрона. Для снятия насадки для отвертки / головки сверла удерживайте кольцо и поверните втулку против часовой стрелки.

Установка крючка

Дополнительные принадлежности

⚠ ВНИМАНИЕ: При установке крючка надежно фиксируйте его винтом. В противном случае крючок может отсоединиться от инструмента, что может привести к травме.

► **Рис.6:** 1. Паз 2. Крючок 3. Винт

Крючок удобен для временного подвешивания инструмента. Он может быть установлен с любой стороны инструмента. Для установки крючка вставьте его в паз в корпусе инструмента с одной из сторон и закрепите при помощи винта. Чтобы снять крючок, необходимо сначала отвернуть винт.

Порядок установки держателя насадок для отвертки

Дополнительные принадлежности

► **Рис.7:** 1. Держатель насадок для отвертки 2. Насадка для отвертки

Установите держатель насадок в выступ на основании инструмента с правой или левой стороны и закрепите его при помощи винта.

Если насадки для отвертки не используются, храните их в специальных держателях. Здесь могут храниться насадки длиной до 45 мм.

ЭКСПЛУАТАЦИЯ

⚠ ВНИМАНИЕ: В случае значительного снижения оборотов уменьшите нагрузку или остановите инструмент во избежание его повреждения.

► **Рис.8:** 1. Вентиляционное отверстие

Крепко удерживайте инструмент одной рукой за ручку. В случае скручивающего действия крепко удерживайте ручку обеими руками.

ПРИМЕЧАНИЕ: Не закрывайте вентиляционные отверстия. Невыполнение данного требования может привести к перегреву и повреждению инструмента.

Работа в режиме шуруповерта


⚠ВНИМАНИЕ: Установите регулировочное кольцо на соответствующий уровень крутящего момента для вашей работы.

⚠ВНИМАНИЕ: Следите за тем, чтобы насадка для отвертки вставлялась прямо в головку винта, иначе можно повредить винт и/или насадку.

Установите конец насадки в головку шурупа и придавите инструмент к шурупу. Включите инструмент на медленной скорости и затем постепенно увеличивайте ее. Отпустите триггерный переключатель, как только сработает сцепление.

ПРИМЕЧАНИЕ: При закручивании шурупов в дерево предварительно просверлите направляющее отверстие, диаметр которого равен 2/3 диаметра шурупа. Это облегчит закручивание шурупа и предотвратит возникновение трещин в детали.

Сверление

Сначала поверните регулировочное кольцо, чтобы совместить указатель со стрелкой . Затем действуйте следующим образом.

Сверление дерева

При сверлении дерева наилучшие результаты достигаются с применением сверл для дерева с направляющим винтом. Направляющий винт упрощает сверление, удерживая головку сверла в обрабатываемой детали.

Сверление металла

Для предотвращения скольжения сверла при начале сверления сделайте углубление с помощью кернера и молотка в точке сверления. Вставьте острие головки сверла в углубление и начните сверление. При сверлении металлов пользуйтесь смазочно-охлаждающей жидкостью. Исключение составляют железо и латунь, которые надо сверлить насухо.

⚠ВНИМАНИЕ: Чрезмерное нажатие на инструмент не ускорит сверление. На самом деле, чрезмерное давление только повредит наконечник головки сверла, снизит производительность инструмента и сократит срок его службы.

⚠ВНИМАНИЕ: Крепко удерживайте инструмент и будьте осторожны, когда головка сверла начинает проходить сквозь обрабатываемую деталь. В момент выхода головки сверла из детали возникает огромное усилие на инструмент/сверло.

⚠ВНИМАНИЕ: Заклинившая головка сверла может быть без проблем извлечена из обрабатываемой детали путем изменения направления вращения при помощи реверсивного переключателя. Однако если вы не будете крепко держать инструмент, он может резко сдвинуться назад.

⚠ВНИМАНИЕ: Всегда закрепляйте обрабатываемые детали в тисках или аналогичном зажимном устройстве.

ОБСЛУЖИВАНИЕ

⚠ВНИМАНИЕ: Перед проверкой или проведением техобслуживания убедитесь, что инструмент выключен, а штекер отсоединен от розетки.

ПРИМЕЧАНИЕ: Запрещается использовать бензин, растворители, спирт и другие подобные жидкости. Это может привести к обесцвечиванию, деформации и трещинам.

Для обеспечения БЕЗОПАСНОСТИ и НАДЕЖНОСТИ оборудования ремонт, любое другое техобслуживание или регулировку необходимо производить в уполномоченных сервис-центрах Makita или сервис-центрах предприятия с использованием только сменных частей производства Makita.

Замена угольных щеток

► **Рис.9:** 1. Ограничительная метка

Регулярно проверяйте угольные щетки. Замените, когда износ достигнет ограничительной метки. Угольные щетки всегда должны быть чистыми и свободно перемещаться в держателях. Заменяйте обе угольные щетки одновременно. Используйте только идентичные угольные щетки.

1. Используйте отвертку для снятия колпачков держателей щеток.
2. Извлеките изношенные угольные щетки, вставьте новые и закрутите колпачков держателей щеток.

► **Рис.10:** 1. Колпачок держателя щетки

ДОПОЛНИТЕЛЬНЫЕ ПРИНАДЛЕЖНОСТИ

⚠ВНИМАНИЕ: Данные принадлежности или приспособления рекомендуются для использования с инструментом Makita, указанным в настоящем руководстве. Использование других принадлежностей или приспособлений может привести к получению травмы. Используйте принадлежность или приспособление только по указанному назначению.

Если вам необходимо содействие в получении дополнительной информации по этим принадлежностям, свяжитесь с вашим сервис-центром Makita.

- Головки сверл
- Насадки для отвертки
- Гнездовые биты
- Держатель насадок для отвертки
- Крючок

ПРИМЕЧАНИЕ: Некоторые элементы списка могут входить в комплект инструмента в качестве стандартных приспособлений. Они могут отличаться в зависимости от страны.

ТЕХНИКАЛЫҚ СИПАТТАМАЛАРЫ

Үлгі:	DF0300	
Бұрғылау сыйымдылықтары	Болат	10 мм
	Ағаш	28 мм
Керу күші	Ағаш бұрандасы	5,1 мм x 63 мм
	Бекіткіш бұранда	M6
Жүктемесіз жылдамдығы (RPM)	Жоғары (2)	0 - 1 500 мин ⁻¹
	Төмен (1)	0 - 450 мин ⁻¹
Жалпы ұзындығы	220 мм	
Таза салмағы	1,2 кг	
Қауіпсіздік класы	□/II	

- Зерттеу мен әзірлеудің үздіксіз бағдарламасына байланысты осы құжаттағы техникалық сипаттамалар ескертусіз өзгертілуі мүмкін.
- Техникалық сипаттамалары әр елде әр түрлі болуы мүмкін.
- Салмағы ЕРТА-Procedure 01/2014 стандартына сәйкес

Белгілер

Төменде жабдықта пайдаланылған белгілер көрсетілген. Қолданар алдында олардың мағынасын түсініп алыңыз.



Пайдалану жөніндегі нұсқаулықты оқып шығыңыз.



ҚОС ҚАБАТТЫ ОҚШАУЛАУ



Тек ЕО елдері үшін
Электр жабдықты немесе аккумулятор блогын тұрмыстық қалдықтармен бірге тастамаңыз! Электр және электронды жабдықты қоқысқа тастау бойынша Еуропалық директиваның шарттары және ұлттық заңнамаға сәйкес жүзеге асырылуы бойынша, қызметтік мерзімі аяқталған электр жабдық бөлек жиналып, экологиялық тұрғыдан қауіпсіз утилизация пунктіне қайтарылуы тиіс.

Қолдану мақсаты

Құрал ағашты, металды және пластмассаны бұрғылауға және бұранданы бұрап кіргізуге арналған.

Қуат көзі

Құрал ақпараттық тақтайшада көрсетілген кернеумен бірдей қуат көзіне қосылуы керек және тек бір фазалы АТ көзімен жұмыс істеуі керек. Олардың қос қабатты оқшауламасы бар болғандықтан, жерге тұйықталмаған розеткаларды пайдалануға болады.

Шу

EN62841-2-1 стандартына сай анықталған стандартты А-өлшенген шу деңгейі:
Дыбыс қысымының деңгейі (L_{pA}) : 80 дБА
Дыбыс қуатының деңгейі (L_{WA}) : 91 дБА
Дәлсіздік (К) : 3 дБА

ЕСКЕРТПЕ: Шудың жарияланған таралу мән(дер) і стандартты сынау әдісіне сәйкес өлшенген және оны бір құралды екінші құралмен салыстыру үшін пайдалануға болады.

ЕСКЕРТПЕ: Жарияланған шуды сондай-ақ әсерді алдын ала бағалау үшін пайдалануға болады.

⚠ЕСКЕРТУ: Қорғаныс құлаққабын киіңіз.

⚠ЕСКЕРТУ: Электрлік құралды іс жүзінде пайдалану кезіндегі шудың таралу мәні құралдың пайдалану әдісіне, өсіресе қандай дайындама өңделгеніне байланысты жарияланған мәнінен өзгеше болуы мүмкін.

⚠ЕСКЕРТУ: Іс жүзінде пайдалану кезіндегі әсерді бағалау негізінде операторды қорғау үшін қауіпсіздік шараларын анықтаңыз (құралдың өшірілген уақыты және бос жүріс уақытын қоса алғанда, іске қосылу уақыты сияқты барлық жұмыс циклдерін ескеру керек).

Діріл

EN62841-2-1 сәйкес анықталған дірілдің жалпы мәні (үш осьтік векторлық сома):
Жұмыс режимі: металды бұрғылау
Дірілдің таралуы (a_{hD}) : 2,5 м/с² немесе одан аз
Дәлсіздік (К): 1,5 м/с²

ЕСКЕРТПЕ: Дірілдің жарияланған жалпы мән(дер) і стандартты сынау әдісіне сәйкес өлшенген және оны бір құралды екінші құралмен салыстыру үшін пайдалануға болады.

ЕСКЕРТПЕ: Сондай-ақ дірілдің жарияланған жалпы мән(дер)ін әсерді алдын ала бағалау үшін пайдалануға болады.

▲ЕСКЕРТУ: Электрлік құралды іс жүзінде пайдалану кезіндегі дірілдің мәні құралдың пайдалану әдісіне, өсіресе қандай дайындама өңделгеніне байланысты жарияланған мән(дер)інен өзгеше болуы мүмкін.

▲ЕСКЕРТУ: Іс жүзінде пайдалану кезіндегі әсерді бағалау негізінде операторды қорғау үшін қауіпсіздік шараларын анықтаңыз (құралдың өшірілген уақыты және бос жүріс уақытын қоса алғанда, іске қосылу уақыты сияқты барлық жұмыс циклдерін ескеру керек).

ЕС сәйкестік декларациясы

Тек Еуропа елдеріне арналған

ЕС сәйкестік декларациясы осы пайдалану жөніндегі нұсқаулықтың А қосымшасы ретінде қосылған.

ҚАУІПСІЗДІК БОЙЫНША ЕСКЕРТУЛЕР

Электрлік құралдың жалпы қауіпсіздік ескертулері

▲ЕСКЕРТУ: Осы электрлік құралмен бірге берілген қауіпсіздік ескертулерін, нұсқауларды, суреттерді және техникалық сипаттамаларды оқып шығыңыз. Төменде берілген барлық нұсқауды орындамаған жағдайда, электр тогының соғуы, өрт шығуы және/немесе ауыр жарақат алуға себеп болуы мүмкін.

Алдағы уақытта қолдану үшін барлық ескерту мен нұсқауды сақтап қойыңыз.

Ескертулердегі “электрлік құрал” термині қуат көзінен жұмыс істейтін (сымды) электрлік құралды немесе аккумулятормен жұмыс істейтін (сымсыз) электрлік құралды білдіреді.

Жұмыс аймағындағы қауіпсіздік

1. Жұмыс аймағы таза әрі жарық болуы керек. Лас немесе қараңғы аймақтарда жазатайым оқиғалар туындауы мүмкін.
2. Электрлік құралды айналасында тез тұтанатын сұйықтық, газ немесе шаң сияқты заттардан тұратын жарылыс қаупі бар орталарда пайдаланбаңыз. Электрлік құралдар шаң немесе газды тұтандыратын электр ұшқындарын шығарады.

3. Электрлік құралды пайдаланған кезде, балалар және бөгде адамдар алшақ жүруі керек. Басқа нәрсеге алаңдасаңыз, құралға ие бола алмай қалуыңыз мүмкін.

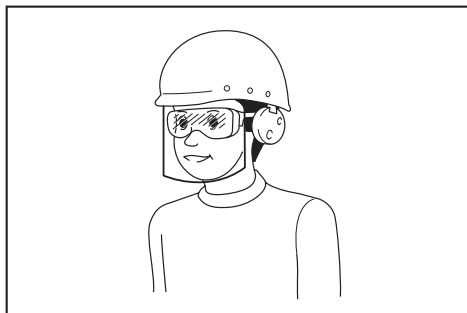
Электрлік қауіпсіздік

1. Электрлік құралдың ашасы розеткаға сәйкес келуі керек. Ашаны ешбір жағдайда өзгертпеңіз. Адаптер ашаларын жерге тұйықталған электрлік құралдармен пайдаланбаңыз. Өзгертілмеген ашалар мен сәйкес келетін розеткалар электр тогының соғу қаупін азайтады.
2. Түтіктер, радиаторлар, жылу батареялары және тоңазытқыштар сияқты жерге тұйықталған бұйымдарды ұстамаңыз. Егер дөңеңіз жерге тұйықталатын болса, ток соғу қаупі жоғары болады.
3. Электрлік құралдарды жаңбырдың астына немесе ылғалды жерлерге қоймаңыз. Электрлік құралға су кіретін болса, ток соғу қаупі артады.
4. Қуат сымын мұқият пайдаланыңыз. Электрлік құралды тасу, тарту немесе қуат көзінен ажырату үшін қуат сымын пайдалануға болмайды. Қуат сымна ыстық зат, май, өткір жиек немесе қозғалмалы бөлшектер тимеуі керек. Зақымдалған немесе оралған қуат сымдары ток соғу қаупін арттырады.
5. Электрлік құралды сыртта пайдаланғанда, сыртта қолдануға жарамды ұзартқышты қолданыңыз. Сыртта қолдануға жарамды шнурды пайдалану ток соғу қаупін азайтады.
6. Егер электрлік құралды ылғалды жерде пайдалану керек болса, қорғаныстық ажырату құрылғысын (RCD) пайдаланыңыз. Қорғаныстық ажырату құрылғысын пайдалану ток соғу қаупін азайтады.
7. Электр қуатын әрдайым 30 МА немесе одан кем номиналды дифференциалды тогы бар қорғаныстық ажырату құрылғысы (RCD) арқылы пайдалану ұсынылады.
8. Электрлік құралдар электрмагниттік өрістер шығарады, ол пайдаланушыға қауіпті емес. Дегенмен электрокардиостимулятор және соған ұқсас басқа медициналық құрылғылардың пайдаланушылары электрлік құралды пайдаланбас бұрын, өндірушімен және/немесе дәрігермен кеңесуі керек.
9. Қуат ашасын су қолыңызбен ұстамаңыз.
10. Егер сымы зақымдалған болса, қауіптен сақтану үшін оны өндірушіге немесе оның агентіне апарып ауыстырыңыз.

Жеке қауіпсіздік

1. Электрлік құралды пайдаланған кезде, жасап жатқан жұмысыңызға қырағылық танытып, мұқият болыңыз. Шаршағанда немесе есірткі, алкоголь немесе дәрі-дәрмектің әсерінде болған кезде электрлік құралды пайдаланбаңыз. Электрлік құралды пайдалану кезінде сәл ғана аңсыздық таныту ауыр жарақатқа әкелуі мүмкін.
2. Жеке қорғаныс құралдарын пайдаланыңыз. Міндетті түрде қорғаныс көзілдірігін тағыңыз. Шаңнан қорғайтын маска, сырғанамайтын қорғаныс аяқ киімі, каска немесе құлаққап сияқты қорғаныс жабдықтарын тиісті жағдайларда қолдану жарақаттануды азайтады.

3. **Кездейсоқ іске қосудың алдын алыңыз.** Құралды қуат көзіне және/немесе аккумулятор блогына қоспас бұрын, оны жинау немесе тасымалдамас бұрын, ауыстырып-қосқыш өшірулі күйде екеніне көз жеткізіңіз. Саусақ электрлік құралдың ауыстырып-қосқышында тұрған кезде оны тасымалдау немесе ауыстырып-қосқышы қосулы электрлік құралды қуат көзіне қосу жазатайым оқиғаға әкеп соғуы мүмкін.
4. **Электрлік құралды қоспас бұрын, реттегіш немесе сомынды бұрайтын кілттерді алып тастаңыз.** Электрлік құралдың айналмалы бөлігінде реттегіш немесе сомынды бұрайтын кілт бекітулі қалса, жарақаттауы мүмкін.
5. **Тым артық күш салмаңыз. Өрдайым тұрақты және тепе-теңдік сақтайтын күйде болыңыз.** Бұл күтпеген жағдайда электрлік құралды жақсы басқаруға мүмкіндік береді.
6. **Жұмысқа сай киініңіз. Бос киім кимеңіз және әшекей тақпаңыз. Шашыңызды және киіміңізді қозғалмалы бөлшектерден алшақ ұстаңыз.** Бос киім, әшекейлер немесе ұзын шаш қозғалмалы бөлшектерге ілініп қалуы мүмкін.
7. **Шаң тұту және жинау құрылғылары қамтамасыз етілген болса, олардың қосулы екендігіне және дұрыс қолданылып жатқанына көз жеткізіңіз.** Шаң жинау құрылғысын пайдалану шаңмен байланысты қауіпті азайтуы мүмкін.
8. **Құралды жиі пайдалану нәтижесінде босаңсып, қауіпсіздік қағидаларын елеусіз қалдырмаңыз.** Салғырттық таныту бір мезетте ауыр жарақатқа әкеп соқтыруы мүмкін.
9. **Электрлік құралды пайдаланған кезде көзіңізді жарақаттап алмау үшін міндетті түрде қорғаныс көзілдірігін тағыңыз.** Қорғаныс көзілдіріктері АҚШ-та ANSI Z87.1, Еуропада EN 166 немесе Австралияда/ Жаңа Зеландияда AS/NZS 1336 қауіпсіздік стандарттарымен сәйкес келуі керек. Австралияда/Жаңа Зеландияда бетіңізді қорғау үшін қорғаныс маскасын кию заң негізінде талап етіледі.



Құрал пайдаланушылары мен жұмыс аймағындағы басқа да тұлғалардың тиісті қауіпсіздік қорғаныс жабдықтарын пайдалануын қамтамасыз ету жұмыс берушінің жауапкершілігінде.

Электрлік құралды пайдалану және күтім жасау

1. **Электрлік құралға артық күш түсірмеңіз.** Орындалатын жұмысқа сәйкес келетін электрлік құралды пайдаланыңыз. Дұрыс таңдалған электрлік құрал өзіне жүктелген жұмысты жақсы және қауіпсіз істейді.
2. **Ауыстырып-қосқышы ақаулы электрлік құралды пайдаланбаңыз.** Ауыстырып-қосқышы ақаулы кез келген электрлік құрал қауіп көндіреді және оны жөндеу керек.
3. **Кез келген реттеулер жасамас бұрын, керек-жарақтарды ауыстырмас бұрын немесе электрлік құралдарды ұзақ уақытқа сақтамас бұрын, ашаны қуат көзінен ажыратыңыз және/немесе аккумулятор блогы бар болса, оны шығарып алыңыз.** Осындай алдын алу шаралары электрлік құралдың кездейсоқ іске қосылу қауіпін азайтады.
4. **Электрлік құралдарды балалардың қолы жетпейтін жерде сақтаңыз, сонымен қатар электрлік құралмен жұмыс істей алмайтын және осы нұсқауларды оқымаған тұлғаларға құралды пайдалануға рұқсат етпеңіз.** Арнайы оқытудан өтпеген пайдаланушылар үшін электрлік құрал қауіп төндіреді.
5. **Электр құралдарына және керек-жарақтарға техникалық қызмет көрсетіңіз.** Қозғалмалы бөлшектердің ауытқуы және оралуы, зақымдалған бөлшектер және электрлік құралдың жұмысына кері әсер ететін басқа жағдайлардың бар-жоғын тексеріңіз. Зақым болса, электрлік құралды жөндеген соң бірақ пайдаланыңыз. Жазатайым оқиғалардың көбі электрлік құралдарға дұрыс техникалық қызмет көрсетілмеу себебінен болады.
6. **Кесу құралдары өткір және таза болуы керек.** Кескіш жиектері өткір кесу құралдарын дұрыс пайдалансаңыз, олар тұрып қалмайды және сол себепті оларды басқару да оңайырақ етеді.
7. **Электрлік құралды, керек-жарақтарды және қондырмаларды, т.б. жұмыс жағдайы мен орындалатын жұмысты ескере отырып, осы нұсқауларға сәйкес пайдаланыңыз.** Электрлік құралды басқа мақсатта пайдаланған жағдайда, қауіпті жағдай туындауы мүмкін.
8. **Тұтқалардың және жұмыс орындалатын беттердің құрғақ, таза және майлы болмауын қамтамасыз етіңіз.** Тұтқалар және қолмен ұстайтын беттер тайғақ болса, күтпеген жағдай орын алғанда, құралды пайдалану және оған ие болу мүмкін болмайды.
9. **Электрлік құралды пайдаланған кезде, ішіне тартылу матадан жасалған қорғаныс қолғабын кимеңіз.** Матадан жасалған қорғаныс қолғаптары қозғалмалы бөлшектерге ілініп қалса, жарақаттауы мүмкін.

Қызмет көрсету

1. **Электрлік құралға қызмет көрсетуді тек қаа жөндеу бойынша білікті аман тиісті қосалқы бөлшектерді пайдаланып жүзеге асыруы қажет.** Бұл электрлік құралдың қауіпсіздігін қамтамасыз етеді.
2. **Керек-жарақтарды майлау және ауыстыру нұсқауын орындаңыз.**

Бұрғы-бұрама шегені бұрағыш қауіпсіздігі бойынша ескертулер

1. Жұмыс істеп жатқанда, кесу құралы немесе бекіткіштер жасырын сымға немесе өз шуырына тиіп кетуі мүмкін болса, электрлік құралды оқшауланған арнайы қысқыштармен ұстаңыз. Кесу құралы немесе бекіткіштер кернеулі сымға тиіп кетсе, электр құралының ашық металл бөлшектерінде кернеу пайда болады, нәтижесінде операторды ток соғуы мүмкін.
2. Әрдайым тұрақты жерде тұрғаныңызға көз жеткізіңіз. Құралды биіктікте пайдаланған кезде, төменгі жақта адамдардың жоқтығын тексеріңіз.
3. Құралды мықтап ұстаңыз.
4. Қолыңызды айналмалы бөлшектерден аулақ ұстаңыз.
5. Құралды қосулы күйде қалдырмаңыз. Құралды тек қолмен ұстап пайдаланыңыз.
6. Бұрғы ұштығын немесе өңдеу бөлшегін пайдаланғаннан кейін бірден ұстауға болмайды. Олар өте ыстық болып, теріні күйдіруі мүмкін.
7. Кейбір материалдарда улы болуы мүмкін химиялық заттар бар. Шаң жұтуға жол бермей, теріге тигізбеңіз. Материал жеткізушісінің қауіпсіздік туралы деректерін қараңыз.
8. Егер жұдырықшаны ашқан кезде де бұрғы ұштығын босату мүмкін болмаса, оны тартып алу үшін қысқыштарды пайдаланыңыз. Мұндай жағдайда, бұрғы ұштығын қолмен тартқан кезде, оның өткір шеттерінен жарақат алуыңыз мүмкін.

Ұзын бұрғы ұштықтарын пайдалану кезіндегі қауіпсіздік нұсқаулары

1. Бұрғы ұштығының максималды жылдамдығынан жоғары жылдамдықта ешқашан жұмыс істемеңіз. Жоғары жылдамдықта ұштық өңдеу бөлшегіне тимей еркін айналатын болса майысуы мүмкін және ол дене жарақатына себеп болуы мүмкін.
2. Бұрғылауды әрдайым төменгі жылдамдықта және бұрғы ұштығын өңдеу бөлшегіне тигізіп тұрып бастаңыз. Жоғары жылдамдықта ұштық өңдеу бөлшегіне тимей еркін айналатын болса майысуы мүмкін және ол дене жарақатына себеп болуы мүмкін.
3. Қысымды тек ұштыққа тікелей түсіріңіз және шамадан тыс қысым қолданбаңыз. Ұштықтар майысып, сынуға немесе басқарудың жоғалуына әкеліп соғуы мүмкін, нәтижесінде дене жарақатының пайда болуы ықтимал.

ОСЫ НҰСҚАУЛАРДЫ САҚТАҢЫЗ.

▲ ЕСКЕРТУ: Өнімді қайта пайдалану барысында САЛҒЫРТТЫҚ ТАНЫТПАЙ, қауіпсіздік ережелерін ұстанаңыз. Осы пайдалану жөніндегі нұсқаулықта келтірілген қауіпсіздік ережелерін ДҒҒЫС ПАЙДАЛАНБАУ немесе орындамау ауыр жарақаттарға әкеп соқтыруы мүмкін.

ФУНКЦИОНАЛДЫҚ СИПАТТАМАСЫ

▲ САҚ БОЛЫҢЫЗ: Құралдың жұмысын реттемес және тексермес бұрын, әрдайым құралдың өшірулі екендігіне және ажыратылғандығына көз жеткізіңіз.

Ауыстырып-қосқыштың әрекеті

- **Сурет1:** 1. Ауыстырып-қосқыш шүріппесі
2. Құлыптау түймесі

▲ САҚ БОЛЫҢЫЗ: Құралды қоспас бұрын, әрдайым ауыстырып-қосқыш шүріппесінің дұрыс жұмыс істеп тұрғанына және босатылған кезде "ӨШІРУЛІ" күйіне қайтарылатынына әрқашан көз жеткізіп тұрыңыз.

▲ САҚ БОЛЫҢЫЗ: Ұзақ пайдалану кезінде оператордың ыңғайлылығы үшін ауыстырып-қосқыш "ҚОСУЛЫ" күйінде құлыптала алады. Құралдың "ҚОСУЛЫ" күйінде құлыпталуы кезінде сақтық танытыңыз және құралдан қатты ұстаңыз.

Құралды іске қосу үшін жай ғана ауыстырып-қосқыш шүріппесін басыңыз. Құралдың жылдамдығы ауыстырып-қосқыш шүріппесіндегі қысымды арттырған сайын артады. Тоқтату үшін ауыстырып-қосқыш шүріппесін жіберіңіз.

Үздіксіз жұмыс істеу үшін ауыстырып-қосқыш шүріппесін тартып, құлыптау түймесін басып, ауыстырып-қосқыш шүріппесін босатыңыз. Құралды құлыпталған күйден тоқтату үшін, ауыстырып-қосқыш шүріппесін толығымен тартыңыз, содан кейін оны босатыңыз.

Ауыстырып-қосқыш жұмыс бағытын кері айналдыру

- **Сурет2:** 1. Кері айналдыру ауыстырып-қосқыш тетігі

▲ САҚ БОЛЫҢЫЗ: Жұмыс алдында әрдайым айналым бағытын тексеріңіз.

▲ САҚ БОЛЫҢЫЗ: Кері айналдыру ауыстырып-қосқышын құрал толығымен тоқтағаннан кейін ғана қолданыңыз. Құрал тоқтамас бұрын айналым бағытын өзгерту құралдың зақымдалуына әкелуі мүмкін.

Бұл құралда айналым бағытын өзгерту үшін кері айналдыру ауыстырып-қосқышы бар. Кері айналдыру ауыстырып-қосқыш тетігін сағат тілі бағытында айналдыру үшін А жағынан немесе сағат тіліне қарсы бағытта айналдыру үшін В жағынан басыңыз.

Жылдамдықты өзгерту

► **Сурет3:** 1. Жылдамдықты өзгерту тетігі


▲САҚ БОЛЫҢЫЗ: Тетікті әрқашан дұрыс күйіне толықтай орнатыңыз. Егер құралмен жылдамдықты өзгерту тетігі "1" және "2" жақ аралықтарының ортасында орналасқан кезде жұмыс жасасаңыз, құрал зақымдалуы мүмкін.


▲САҚ БОЛЫҢЫЗ: Құрал жұмыс істеп тұрған кезде жылдамдықты өзгерту тетігін пайдаланбаңыз. Құралға зақым келуі мүмкін.


Жылдамдықты өзгерту тетігінің режимдері	Жылдамдық	Айналу моменті	Қолдануға болатын жұмыстар
1	Төмен	Жоғары	Ауыр жүктеме түсетін жұмыстар
2	Жоғары	Төмен	Жеңіл жүктеме түсетін жұмыстар

Жылдамдықты ауыстыру үшін алдымен құралды өшіріңіз. Жоғары жылдамдыққа ауыстыру үшін тетікті "2" жағына, ал төмен жылдамдық, бірақ жоғары айналу моментін таңдау үшін "1" жағына орнатыңыз. Жұмысқа кіріспес бұрын, жылдамдықты өзгерту тетігі дұрыс күйде тұрғанын тексеріңіз. Егер "2" күйінде жұмыс істеу барысында құрылғының жылдамдығы бірден төмендеп бара жатса, тетікті "1" режиміне ауыстырып, жұмысты қайта бастаңыз.

Бекіту моментін реттеу

► **Сурет4:** 1. Реттеу сақинасы 2. Градация 3.  белгі 4. Көрсеткі

Реттеу сақинасын бұрау арқылы бекіту моментінің 21 деңгейін реттеуге болады. Градацияны құрал корпусындағы көрсеткімен туралаңыз. Минималды бекіту моментіне "1" саны, ал максималды бекіту моментіне  белгісі арқылы қол жеткізуге болады.

Ілінісу муфтасы 1-ден 20-ға дейінгі аралықта орнатылса, бекіту моментінің әртүрлі деңгейінде сырғиды.  белгісінде ілінісу муфтасы жұмыс істемейді.

Нақты жұмыс істемес бұрын, белгілі бір жұмыстар үшін бекіту моментінің қажетті деңгейін анықтау үшін сынама бұранданы материалыңызға немесе телнұсқа материал бөлшегіне бұрап бекітіңіз.

Төменде бұранданың өлшемі мен градация арасындағы байланысының жуықталған нұсқаулығы көрсетілген.

Градация		1	2	3	4	5	6	7	8	9	10	11	12	13	14	15	16	17	18	19	20
Бекіткіш бұранда		M4				M5						M6									
Ағаш бұрандасы	Жұмсақ ағаш (мысалы, қарағай)	-				φ3,5 x 22				φ4,1 x 38				-							
	Қатты ағаш (мысалы, лауан)	-				φ3,5 x 22				φ4,1 x 38				-							

ҚҰРАСТЫРУ

▲САҚ БОЛЫҢЫЗ: Құралдың жұмысын реттемес және тексермес бұрын, әрдайым құралдың өшірулі екендігіне және ажыратылғандығына көз жеткізіңіз.

Бұрағыш ұштығын/бұрғы ұштығын орнату немесе алу

▲САҚ БОЛЫҢЫЗ: Бұрағыш ұштығын/бұрғы ұштығын салғаннан кейін, оның нық бекітілгеніне көз жеткізіңіз. Егер ол шығып тұрса, оны пайдаланбаңыз.

► **Сурет5:** 1. Бекіту 2. Жалғастырғыш 3. Сақина

Қысқының жудырықшасын ашу үшін сақинаны ұстап тұрып, жалғастырғышты сағат тіліне қарсы бағытта бұраңыз. Бұрағыш ұштығын/бұрғы ұштығын қысқы ішіне барынша терең етіп орналастырыңыз. Қысқыны қатайту үшін сақинаны мықтап ұстап тұрып, бұранданы сағат тіліне қарсы бағытта бұраңыз.

Бұрағыш ұштығын/бұрғы ұштығын алып тастау үшін, сақинаны ұстап тұрып, жалғастырғышты сағат тіліне қарсы бағытта бұраңыз.

Ілмекті орнату

Қосымша керек-жарақ

▲САҚ БОЛЫҢЫЗ: Ілмекті орнатқан кезде, оны әрдайым бұрандамен мықтап бекітіңіз. Олай жасамаған жағдайда, ілмек құралдан шығып, жарақаттануға әкеп соқтыруы мүмкін.

► **Сурет6:** 1. Ойық 2. Ілмек 3. Бұранда

Ілмек құралды уақытша іліп қоюға ыңғайлы. Оны құралдың екі жағында орнатуға болады. Ілмекті орнату үшін, оны құрал корпусының екі жағындағы ойыққа салыңыз, содан кейін бұрандамен бекітіңіз. Оны шығару үшін, бұранданы босатып, содан кейін оны шығарып алыңыз.

Бұрағыш ұштығының ұстағышын орнату

Қосымша керек-жарақ

- **Сурет7:** 1. Бұрағыш ұштығының ұстағышы
2. Бұрағыш ұштығы

Бұрағыш ұштығының ұстағышын аспаптың табанындағы дөңес жерінің оң немесе сол жағына орнатып, бұрандамен бекітіңіз. Бұрағыш ұштығы пайдаланылмайтын болса, оны Бұрағыш ұштығының ұстағышында сақтаңыз. Ұзындығы 45 мм бұрағыш ұштықтарын сақтауға болады.

ПАЙДАЛАНУ

▲САҚ БОЛЫҢЫЗ: Жылдамдығы аса төмендеп кеткен кезде, құралдың зақымдалуын болдырмау үшін жүктемені азайтыңыз немесе құралды тоқтатыңыз.

- **Сурет8:** 1. Желдеткіш

Құралды бір қолыңызбен тұтқасынан мықтап ұстаңыз.

Бұрылу әрекеті болған жағдайда, тұтқаны екі қолыңызбен мықтап ұстаңыз.

НАЗАР САЛЫҢЫЗ: Желдеткіштерді жаппаңыз, әйтпесе құралдың қызып кетуі немесе зақымдалуы мүмкін.

Бұрама шегені бұрау жұмыстары


▲САҚ БОЛЫҢЫЗ: Реттеу сақинасын жұмысыңыз үшін тиісті айналу моментінің деңгейіне реттеңіз.

▲САҚ БОЛЫҢЫЗ: Бұрағыш ұштығының ұшы тікелей бұранда бастиегіне салынғанына көз жекізіңіз, әйтпесе бұранда және/немесе бұрағыш ұштығы зақымдалуы мүмкін.

Бұрағыш ұштығының ұшын бұранда бастиегіне орналастырып, құралға қысым қолданыңыз. Құралды ақырын іске қосыңыз, содан кейін жылдамдығын біртіндеп арттырыңыз. Жалғанғаннан кейін, ауыстырып-қосқыш шүріппесін жіберіңіз.

ЕСКЕРТПЕ: Ағаш бұрандасын бұрғылағанда, бұранда диаметрінің 2/3 бөлігіне сәйкес келетін сынамалы саңылауды алдын ала бұрғылап тесу керек. Бұл бұрғылауды оңайлатады және өңдеу бөлшегінің бөлініп кетуіне жол бермейді.

Бұрғылау жұмыстары

Ең алдымен, реттеу сақинасын көрсеткіні  белгісіне бағыттап бұраңыз. Содан кейін келесі әрекеттерді орындаңыз.

Ағашта бұрғылау

Ағашта бұрғылау кезінде, бағыттаушы бұрандамен жабдықталған ағаш бұрғысы көмегімен жақсы нәтижеге қол жеткізуге болады. Бағыттаушы бұранда бұрғы ұштығын өңдеу бөлшегіне қарай тарту арқылы, бұрғылауды оңайлатады.

Металды бұрғылау

Саңылау жасауды бастау кезінде, бұрғы ұштығының сырғып кетуіне жол бермеу үшін бұрғылау қажет нүктені балғамен ортасынан ұру арқылы қуыс жасау қажет. Бұрғы ұштығының ұшын қуысқа қойып, бұрғылауды бастаңыз. Металды бұрғылау кезінде кесу майын пайдаланыңыз. Құрғақ күйде бұрғылау қажет темір мен мыс ерекше жағдай болып табылады.

▲САҚ БОЛЫҢЫЗ: Құрылғыны шамадан тыс басу бұрғылауды тездетпейді. Шындығында, шамадан тыс қысым тек бұрғылау қашауыңыздың ұшын зақымдайды, құралдың өнімділігін және құралдың қызмет ету мерзімін қысқартады.

▲САҚ БОЛЫҢЫЗ: Бұрғы қашауы өңдеу бөлшегін бұза бастағанда, құралды мықтап ұстаңыз және сақ болыңыз. Саңылаудың бұзылуы кезінде құралға/бұрғылау қашауына орасан зор күш түсіріледі.

▲САҚ БОЛЫҢЫЗ: Қыстырылып қалған бұрғылау қашауын кері қарай шығуы үшін реверсивті ауыстырып-қосқышты кері бағытта айналу күйіне орнату арқылы оңай шығарып алуға болады. Дегенмен құралды қатты ұстамасаңыз, кенеттен артқа ыршуы мүмкін.

▲САҚ БОЛЫҢЫЗ: Өңдеу бөлшектерін әрқашан қысқышта немесе соған ұқсас ұстап тұратын құрылғымен бекітіңіз.

ТЕХНИКАЛЫҚ ҚЫЗМЕТ КӨРСЕТУ

▲САҚ БОЛЫҢЫЗ: Тексеру немесе техникалық қызмет көрсету жұмыстарын жүргізбес бұрын, әрдайым құралдың өшірулі екендігіне және токтан ажыратылғанына көз жеткізіңіз.

НАЗАР САЛЫҢЫЗ: Жанармайды, бензинді, сұйылтқышты, спиртті немесе соған ұқсас заттарды ешқашан пайдаланбаңыз. Нәтижесінде түссіздену, бүліну немесе жарықтар пайда болуына әкелуі мүмкін.

Өнімнің ҚАУІПСІЗДІГІ мен СЕНІМДІЛІГІН қамтамасыз ету үшін, жөндеу жұмыстары, кез келген басқа техникалық қызмет көрсету немесе реттеу әрдайым Makita қосалқы бөлшектерін пайдалану арқылы Makita компаниясының өкілетті немесе зауыттық қызмет көрсету орталықтары тарапынан орындалуы керек.

Графитті қылшақты ауыстыру

► Сурет9: 1. Шектеу белгісі

Графитті қылшақтарды жүйелі түрде тексеріп тұрыңыз.

Оларды шектеу белгісіне дейін тозған кезде ауыстырыңыз. Графитті қылшақтарды тазалап тұрыңыз және ұстағыштарда сырғыту үшін бос ұстаңыз. Екі графитті қылшақты бір уақытта ауыстыру қажет. Тек бірдей графитті қылшақтарды пайдаланыңыз.

1. Қылшақ ұстағыш қалпақшаларды алып тастау үшін бұрама шегені бұрағышты пайдаланыңыз.

2. Тозған графитті қылшақтарды алып, жаңаларын салыңыз және қылшақ ұстағыш қалпақшаларды бекітіңіз.

► Сурет10: 1. Қылшақ ұстағыш қалпақшасы

ҚОСЫМША КЕРЕК-ЖАРАҚТАР

⚠САҚ БОЛЫҢЫЗ: Бұл керек-жарақтар мен қондырмалар осы нұсқаулықта көрсетілген Makita құралымен бірге пайдалануға ұсынылады. Кез келген басқа керек-жарақтар мен қондырмаларды пайдалану адамдардың жарақаттануына әкелуі мүмкін. Керек-жарақты немесе қондырманы тек өз мақсатында ғана қолданыңыз.

Осы керек-жарақтар туралы қосымша мәлімет алу үшін көмек қажет болса, жергілікті Makita қызмет көрсету орталығына хабарласыңыз.

- Бұрғы ұштықтары
- Бұрағыш ұштықтары
- Төлке ұштықтары
- Бұрағыш ұштығының ұстағышы
- Ілмек

ЕСКЕРТПЕ: Тізімдегі кейбір элементтер стандартты керек-жарақтар ретінде құралдың қаптамасында болуы мүмкін. Олар елге байланысты әртүрлі болуы мүмкін.



Makita Europe N.V. Jan-Baptist Vinkstraat 2,
3070 Kortenberg, Belgium

Makita Corporation 3-11-8, Sumiyoshi-cho,
Anjo, Aichi 446-8502 Japan

www.makita.com

885729-780 EN, RU, KK 20190424
