



- Shower
- Thermostatic
- Wall mounted
- Chrome
- Temperature control handle, Flow control handle
- Turn operated diverter, Integrated into flow control handle
- Hand shower, Shower rail, Overhead shower, Adjustable shower rail bracket, Shower hose (1750 mm), Variable fixing points, Rotatable ball joint connection, Anti limescale technology (easy to clean)
- Intense - invigorating water stream
- Safety stop against scalding at 38°C, The housing of the fittings conducts minimal heat
- Ceramic head part for flow control, Thermostatic cartridge for automatic temperature control, Non-return valve(s), Litter filter(s)
- Eccentric coupling(s), External thread, Cover plate(s), Silencer(s)
- Flexible length / can be shortened
- 1 spray function

Technical data

Flow properties

Flow-rate at 300 kPa

0.25 / 0.26 l/s

Pressure loss with flow (0.2 l/s)

180 kPa

Technical properties

DN-size (nominal dimension)

DN 15

Hot water supply

max. +65°C

Working pressure

100 - 1000 kPa

Connection size

G1/2

Installation width

CC150± 15 mm

Projection

436 - 460 mm

Backflow prevention (EN1717)

EB

Material

Brass

Regulations

EN standard

EN 1111, EN 1112, EN 1113

Noise class

I (ISO 3822)

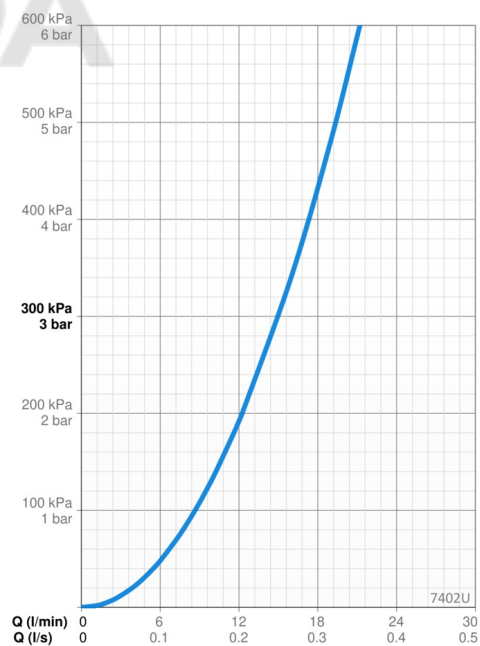
Approvals and Declarations

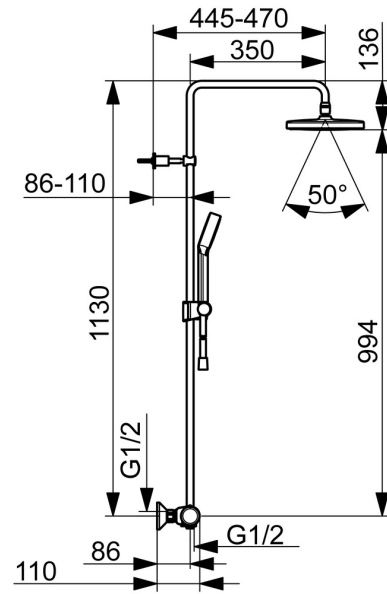
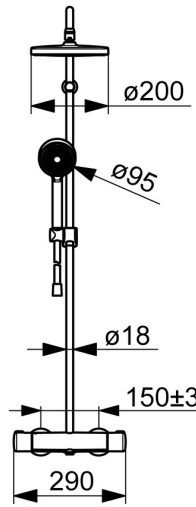
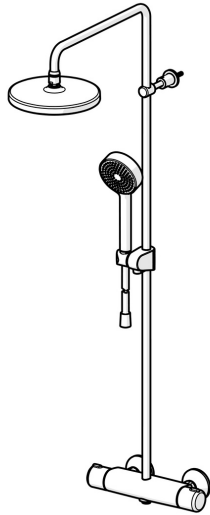
KIWA SE

1664

EPD

S-P-07819

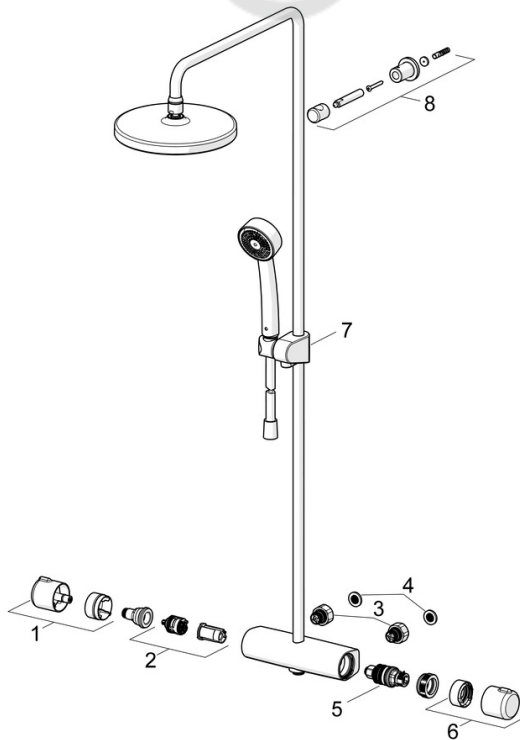




Spare parts



SP7401



	Name	Code
01	Flow control handle	602452V
02	Diverter and cartridge	601278V
03	Combiner	602438/2
04	Filter sealing, G3/4, DN20	178375V
05	Thermostatic cartridge	178780V
06	Temperature control handle	602431V
07	Slide for shower rail	601189V
08	Shower pipe holder	1001314V