



- Shower
- Thermostatic
- Wall mounted
- Chrome
- Temperature control handle, Flow control handle
- Turn operated diverter, Integrated into flow control handle
- Hand shower, Shower rail, Overhead shower, Adjustable shower rail bracket, Shower hose (1750 mm), Variable fixing points, Rotatable ball joint connection, Anti limescale technology (easy to clean)
- Safety stop against scalding at 38°C, The housing of the fittings conducts minimal heat
- Ceramic head part for flow control, Thermostatic cartridge for automatic temperature control, Non-return valve(s), Litter filter(s)
- Direct connection, Internal thread
- Flexible length / can be shortened
- Without couplings
- 1 spray function

Technical data

Flow properties

Flow-rate at 300 kPa

0.25 / 0.26 l/s

Pressure loss with flow (0.2 l/s)

180 kPa

Technical properties

DN-size (nominal dimension)

DN 15

Hot water supply

max. +65°C

Working pressure

100 - 1000 kPa

Connection size

G3/4

Installation width

CC150± 3 mm

Projection

435 - 460 mm

Backflow prevention (EN1717)

EB

Material

Brass

Regulations

EN standard

EN 1111, EN 1112, EN 1113

Noise class

I (ISO 3822)

Approvals and Declarations

STF certificate

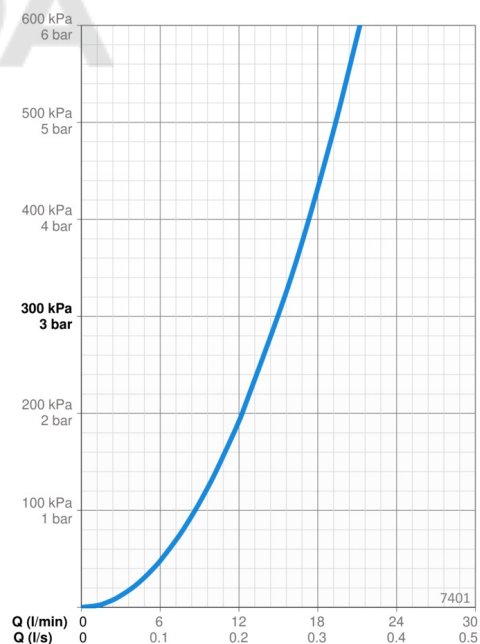
K13975-01

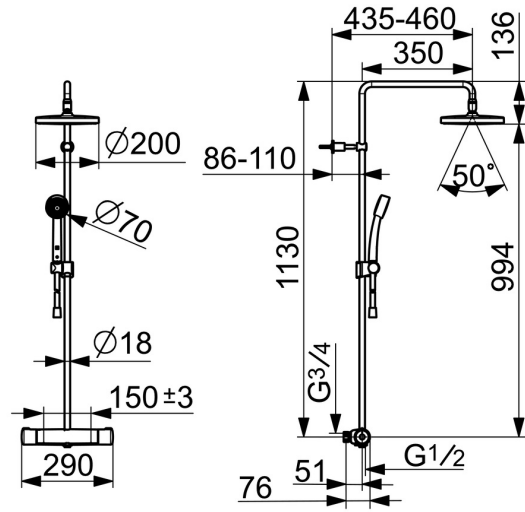
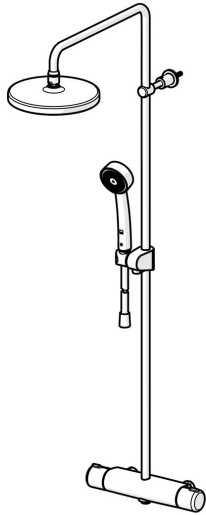
KIWA SE

1664

EPD

S-P-07819

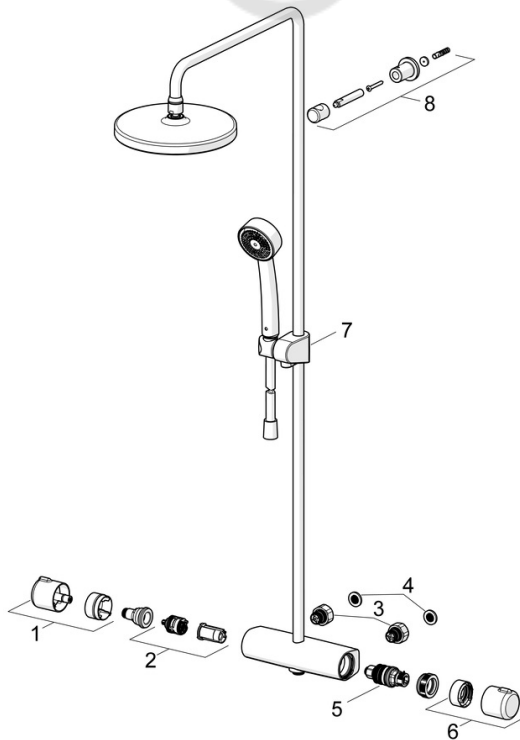




Spare parts



SP7401



Name	Code
01 Flow control handle	602452V
02 Diverter and cartridge	601278V
03 Combiner	602438/2
04 Filter sealing, G3/4, DN20	178375V
05 Thermostatic cartridge	178780V
06 Temperature control handle	602431V
07 Slide for shower rail	601189V
08 Shower pipe holder	1001314V